



## *Electrical Circuit Diagrams*

---

*Elektrische  
Circuitdiagrammen*

*Schémas Électriques*

*Elektrische Schaltpläne*

*Schema di Circuiti*

*Esquemas de Circuitos  
Eléctricos*

*Diagramas dos Circuitos  
Eléctricos*



<b>POWER DISTRIBUTION</b>			
1.8, 2.0 & 2.3 PGM-Fi .....	1.1		
T-Series 2.0, L-Series .....	1.7		
<b>EARTH DISTRIBUTION</b>			
1.8, 2.0 & 2.3 PGM-Fi .....	2.1		
T-Series 2.0, L-Series .....	2.5		
<b>ANTI-THEFT ALARM AND CENTRAL DOOR LOCKING</b> .....	3.		
<b>WINDOWS</b> .....	5.		
<b>SUNROOF</b> .....	6.1		
<b>MIRRORS</b> .....	7.1		
<b>SEATS</b> .....	8.1		
<b>CHARGING, STARTING &amp; IMMOBILISATION</b>			
1.8, 2.0 & 2.3 PGM-Fi .....	15.1		
T-Series 2.0 .....	15.3		
L-Series .....	15.4		
<b>ENGINE MANAGEMENT SYSTEM (PGM-Fi)</b>			
1.8, 2.0 & 2.3 PGM-Fi .....	20.		
<b>ENGINE MANAGEMENT SYSTEM (BOSCH ECM)</b>			
L-Series .....	22.		
<b>ENGINE MANAGEMENT SYSTEM (MEMS)</b>			
T-Series 2.0 .....	23.		
<b>CRUISE CONTROL</b> .....	31.		
<b>AUTOMATIC TRANSMISSION</b> .....	32.		
		<b>ANTI-LOCK BRAKES (ABS)</b>	
		1.8, 2.0 & 2.3 PGM-Fi .....	35.1
		T-Series 2.0, L-Series .....	35.2
		<b>SRS (AIRBAG)</b> .....	36.1
		<b>AIR CONDITIONING AND COOLING FANS</b>	
		1.8, 2.0 & 2.3 PGM-Fi .....	38.1
		T-Series 2.0 .....	38.3
		L-Series .....	38.4
		<b>HEATER BLOWER/COOLING FANS</b>	
		1.8, 2.0 & 2.3 PGM-Fi .....	39.1
		<b>COOLING FANS</b>	
		T-Series 2.0 .....	39.3
		L-Series .....	39.4
		<b>HEATER BLOWER</b>	
		T-Series 2.0, L-Series .....	39.5
		<b>HEATED REAR WINDOW</b> .....	40.1
		<b>WIPERS AND WASHERS</b> .....	42.1
		<b>EXTERIOR LAMPS</b>	
		Head, side, tail and number plate lamps / lights on alarm .....	43.1
		Fog lamps .....	43.3
		Brake lamps and reverse lamps .....	43.4
		Headlamp levelling .....	43.5
		<b>INDICATORS AND HAZARDS</b> .....	44.
		<b>INTERIOR LAMPS</b> .....	45.
		<b>INTERIOR ILLUMINATION</b> .....	46.
		<b>INSTRUMENTS</b>	
		1.8, 2.0 & 2.3 PGM-Fi .....	47.1
		T-Series 2.0, L-Series .....	47.5
		<b>HORNS</b> .....	48.1
		<b>CIGAR LIGHTER</b> .....	49.1
		<b>IN-CAR ENTERTAINMENT AND CLOCK</b> .....	50.1
		Electric aerial .....	50.2

**COLOUR CODES**

**DRAADKLEURCODES**

**CODES DES COULEURS DES FILS**

**KABELFARBCODES**

**CODICI COLORI DEI CAVI**

**CÓDIGOS DE COLORES DE LOS CABLES**

**CÓDIGOS DAS CORES DOS FIOS**

CODE COLOUR	CODE KLEUR	CODE COULEUR	C O D E F A R B E	CODICE COLORE	CODIGO COLOR	CÓDIGO COR
B BLACK	B ZWART	B NOIR	B SCHWARZ	B NERO	B NEGRO	B PRETO
G GREEN	G GROEN	G VERT	G GRÜN	G VERDE	G VERDE	G VERDE
K PINK	K ROZE	K ROSE	K ROSA	K ROSA	K ROSA	K ROSA
LG LIGHT GREEN	LG LICHTGROEN	LG VERT CLAIR	LG HELLGRÜN	LG VERDE CHIARO	LG VERDE CLARO	LG VERDE CLARO
N BROWN	N BRUIN	N BRUN	N BRAUN	N MARRONE	N MARRON	N CASTANHO
O ORANGE	O ORANJE	O ORANGE	O ORANGE	O ARANCIONE	O NARANJA	O LARANJA
P PURPLE	P PAARS	P VIOLET	P LILA	P PORPORA	P PURPURA	P ROXO
R RED	R ROOD	R ROUGE	R ROT	R ROSSO	R ROJO	R VERMELHO
S SLATE (grey)	S LEIGRIJS	S GRIS	S GRAU	S ARDESIA (grigio)	S PIZARRA (gris)	S CINZENTO
U BLUE	U BLAUW	U BLEU	U BLAU	U BLU	U AZUL	U AZUL
W WHITE	W WIT	W BLANC	W WEISS	W BIANCO	W BLANCO	W BRANCO
Y YELLOW	Y GEEL	Y JAUNE	Y GELB	Y GIALLO	Y AMARILLO	Y AMARELO

## HOW TO USE THE CIRCUIT DIAGRAMS

All of the information in this folder is intended for use with the Electrical Reference Library on TestBook.

The circuit diagrams are presented with Power and Ground distribution first, followed by individual circuits for each electrical system on the car.

Wiring between connectors and components shown in the diagrams represents the actual wiring as it exists on the vehicle. A chart is provided, giving colour codes for the wiring colour identification.

### Power Distribution

The Power Distribution diagram shows the connections from the battery to the engine and passenger compartment fuseboxes. It also shows the internal circuitry of both the passenger and engine compartment fuseboxes.

### Earth Distribution

The earth distribution diagram shows the individual earth points and all the circuits affected by them.

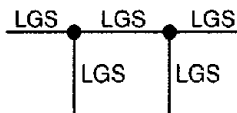
### DIN Voltage Designations

The following DIN voltage designations have been used to describe voltage conditions:

Designation	Description
R	Battery voltage; Ignition switch in the Auxiliary or Ignition positions (I,II).
X	Battery voltage; switched through an ignition load relay. Ignition switch in the Ignition or Crank positions (II,III).
15	Battery voltage; Ignition switch in the Ignition or Crank positions (II,III).
30	Battery voltage; supplied constantly
31	Earth
49	Direction indicator/hazard flasher unit input
49a	Direction indicator/hazard flasher unit output
50	Battery voltage; Ignition switch in the Crank position (III).
56a	Main Beam
56b	Dip Beam
56d	Headlamp Flash
58	Sidelamps
85	End of Relay Coil
86	Start of Relay Coil
87	Relay contact
87a	Relay contact

## SYMBOLS USED IN THE CIRCUIT DIAGRAMS

### Wire colour



Wire insulation is either all one colour, or is one predominant colour with a stripe in a second colour. Wire colours are identified by a letter code, the main colour is identified first. LG/S = Light green/Slate stripes.

### Connectors

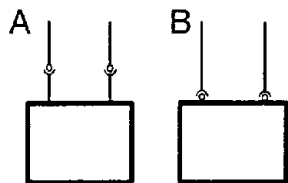


The connector number has two parts; the first part is the connector identifier i. e. C53, the second part is the pin number, i. e. C53-3 which indicates that the particular wire is connected to pin number 3. Should be used in conjunction with the Connector Detail section of the Electrical Reference Library.

### Line Types



This means the wire(s) connect(s) to another circuit or component.

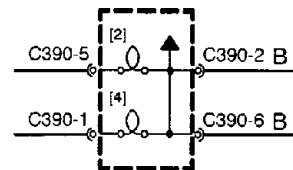


Connector - Direction of the 'symbol' indicates male and female halves of connector.

A. Plug on lead (Flylead) wired directly to the component.

B. Connector plugs directly into component.

## Components



459

RH REAR LAMPS

[2] 703 BRAKE LAMP

[4] 632 REVERSE LAMP(S)

Name or description - appears next to the component. The numbers inside the component correspond to the description under the component name. These numbered references are used to describe additional circuitry within components.

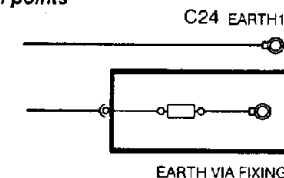
### Switch or Component Internal Symbols

Symbols are used to describe certain switch positions. These symbols logically represent switch positions according to the circuit operation. In some instances the symbols will be the same symbol printed on the switch assembly. Other commonly used symbols have been described below:

Symbol	Description
	Left: used to represent the operation of the left direction indicator and movement of a motor to the left.
	Right: used to represent the operation of the right direction indicator and movement of a motor to the right.
	Up or Unlock: used to represent the movement of a motor upwards or the unlocking of a door lock motor.
	Down or Lock: used to represent the movement of a motor down wards or the locking of a door lock motor.

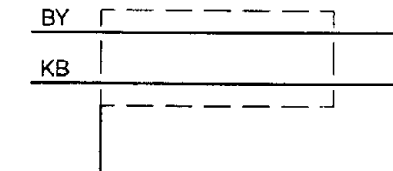
> 100 °C Greater than 100 °C  
< 100 °C Less than 100 °C

## Earth points



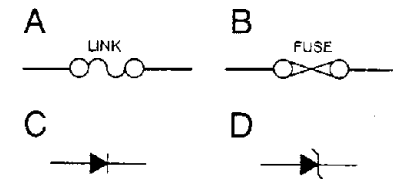
An eyelet symbol drawn within a box and without a connector number indicates that a component is earthed by its fixing. All other earth terminals are shown with a connector number, and these are either earth points or earth headers. The location of earth headers can be determined using the connector number and referring to the Earth Points and Headers section of the Electrical Reference Library.

630  
SCREEN



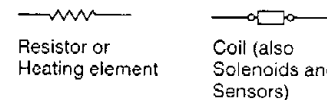
Identifies Radio Frequency Interference (RFI) shielded wire. The shielding is usually connected to earth.

## Fuses and Diodes



Fusible links (A) and current rated fuses (B) are drawn as shown.

Diode (C) current flow is in the direction of the arrow. Zener type diode (D) - prevents current flow until a precise voltage is reached.



Resistor or Heating element

Coil (also Solenoids and Sensors)



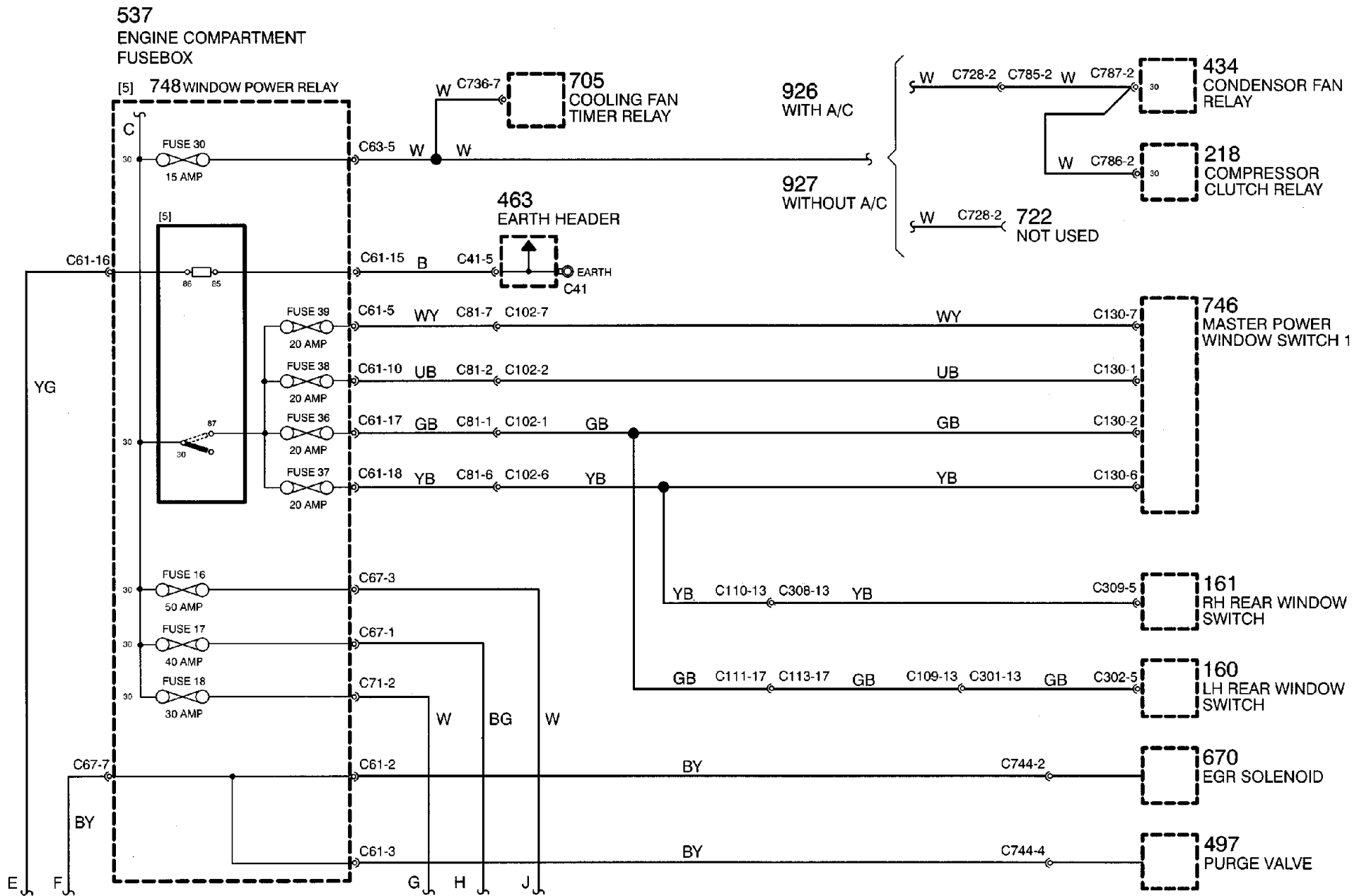


# POWER DISTRIBUTION

1.8, 2.0 & 2.3 PGM-FI

1996 ROVER 600

(RHD)

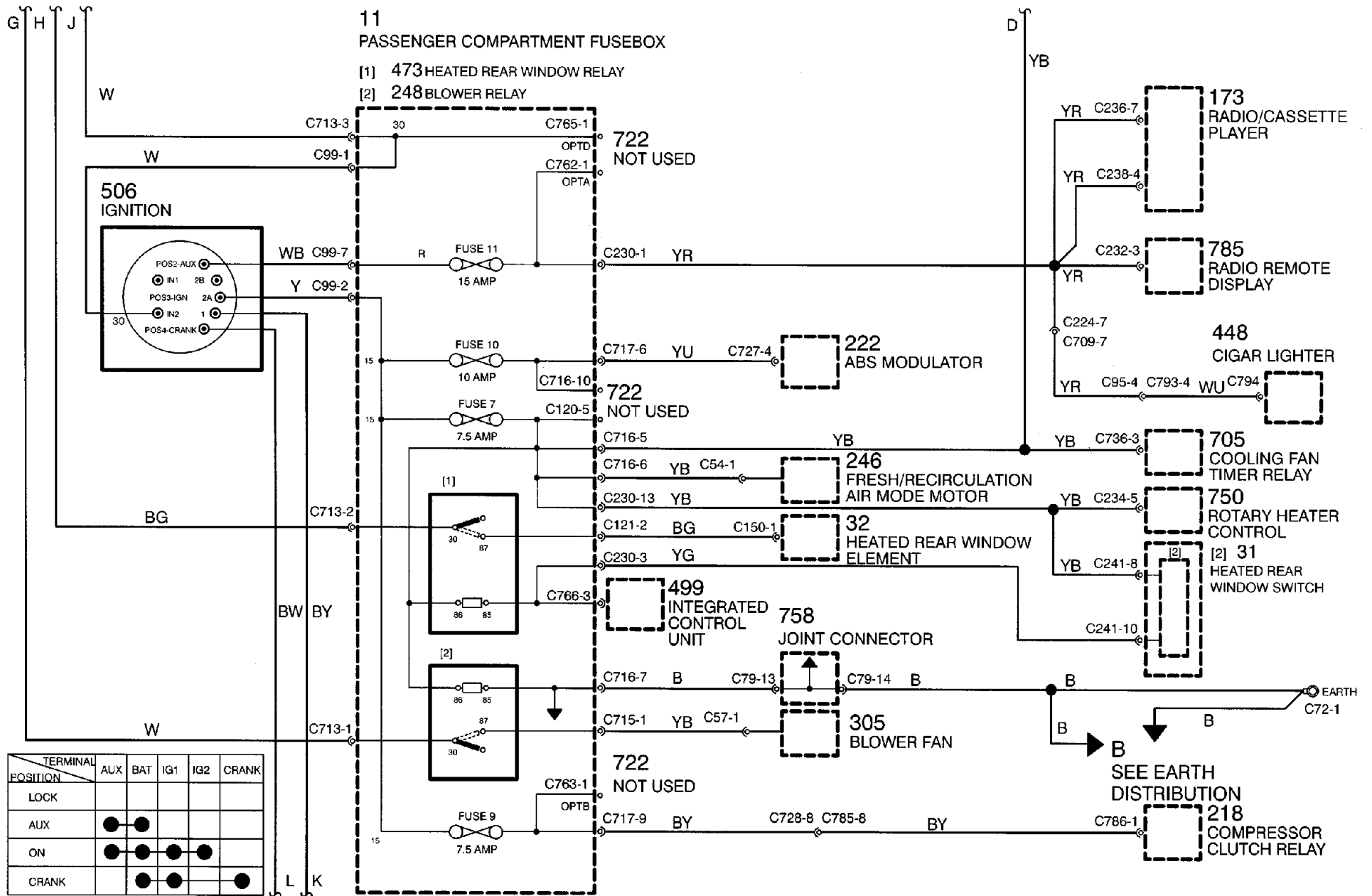


# POWER DISTRIBUTION

1.8, 2.0 & 2.3 PGM-FI

1996 ROVER 600

(RHD)



TERMINAL POSITION	AUX	BAT	IG1	IG2	CRANK
LOCK					
AUX	●	●			
ON	●	●	●	●	
CRANK		●	●		●

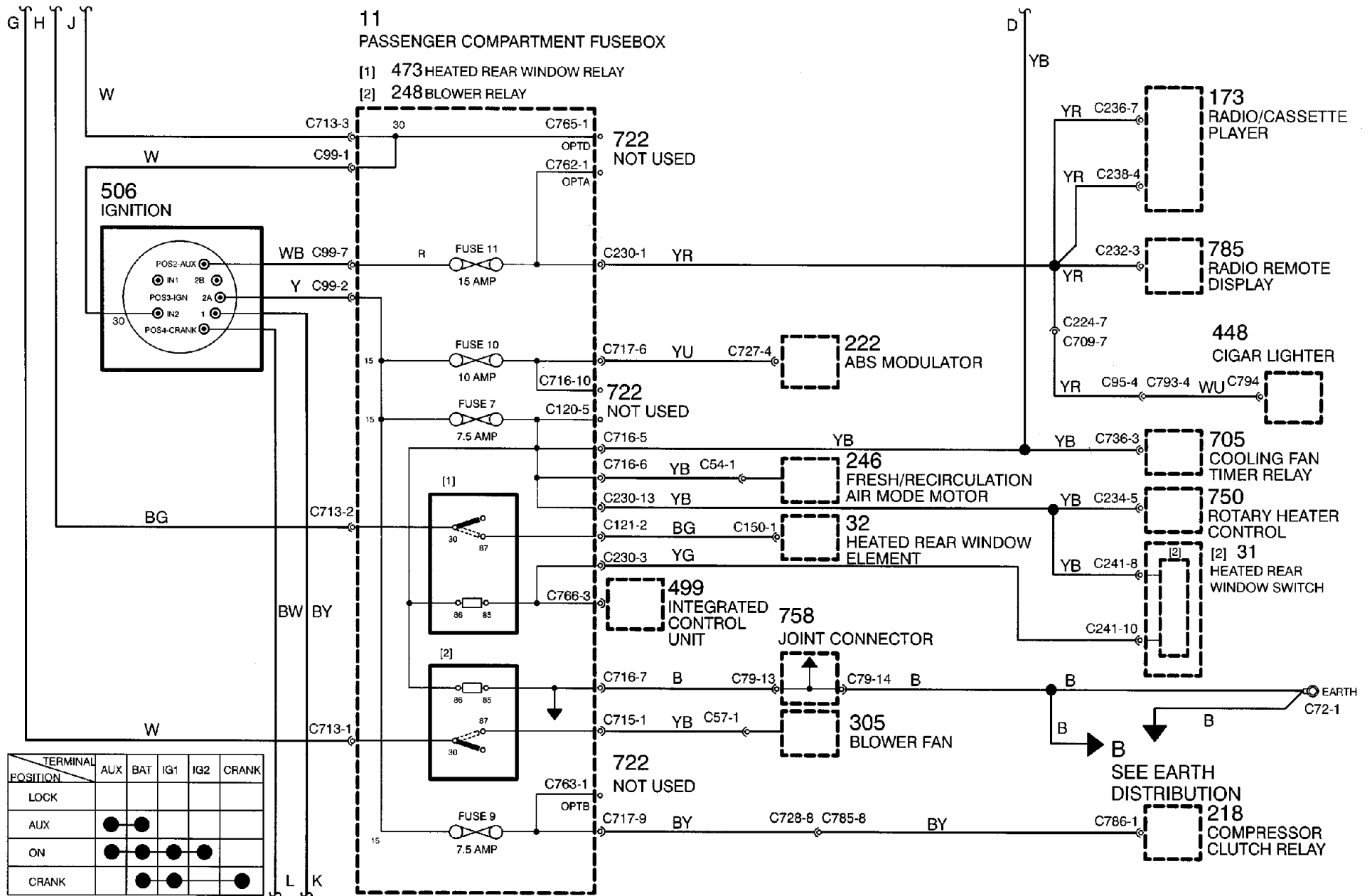


# POWER DISTRIBUTION

1.8, 2.0 & 2.3 PGM-FI

1996 ROVER 600

(RHD)



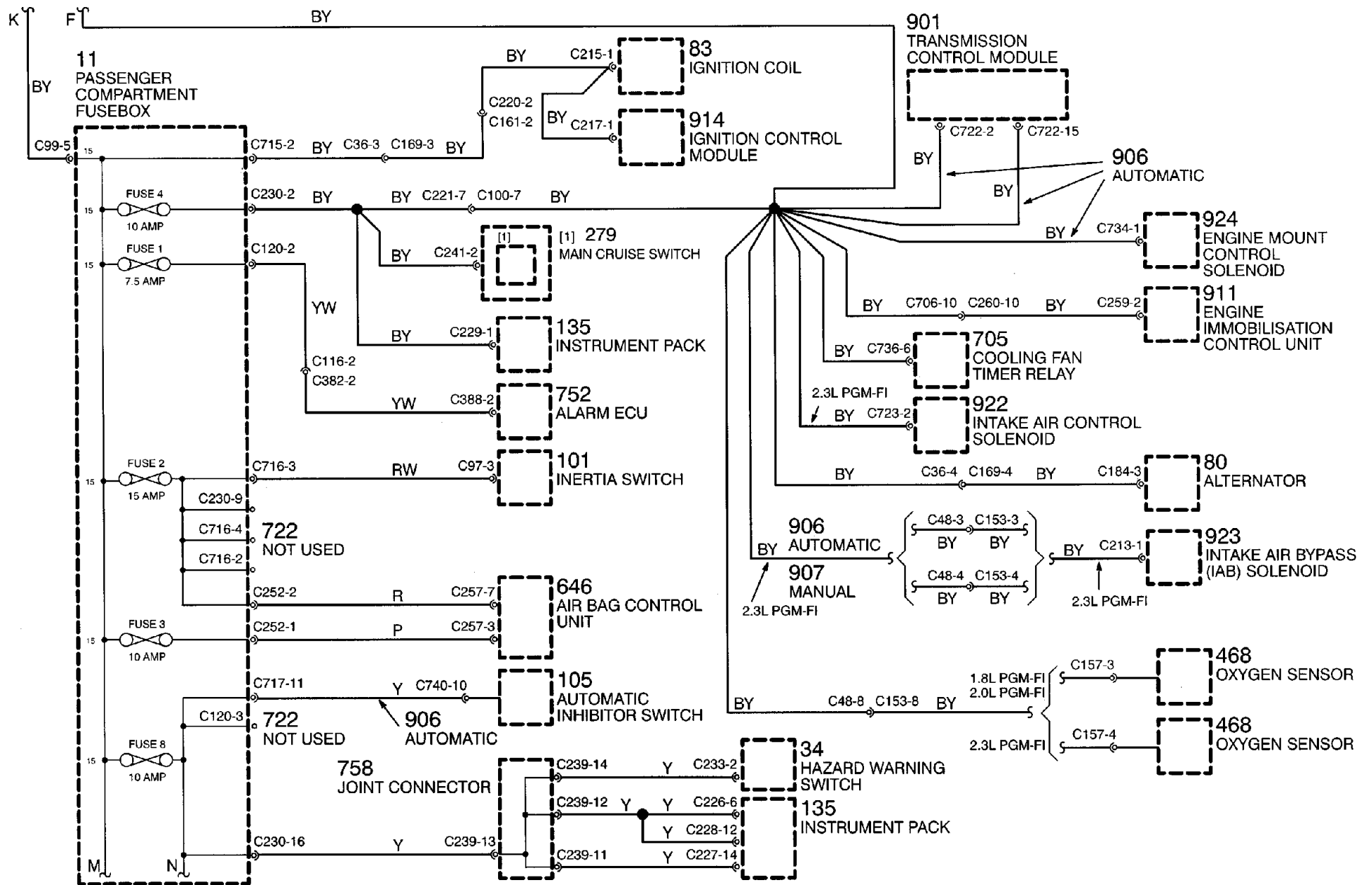
TERMINAL POSITION	AUX	BAT	IG1	IG2	CRANK
LOCK					
AUX	●	●			
ON	●	●	●	●	
CRANK		●	●		●

# POWER DISTRIBUTION

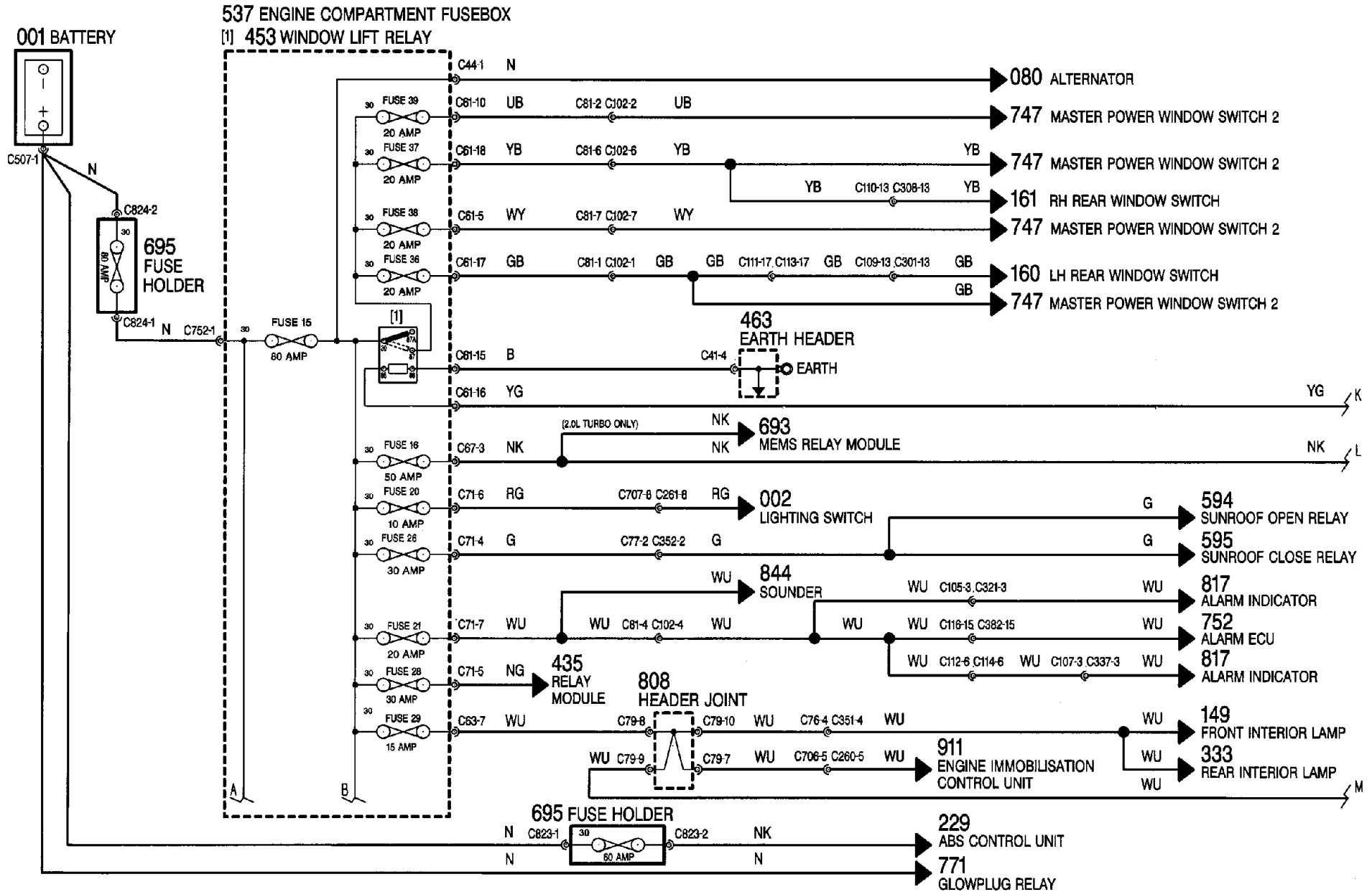
1.8, 2.0 & 2.3 PGM-FI

1996 ROVER 600

(RHD)

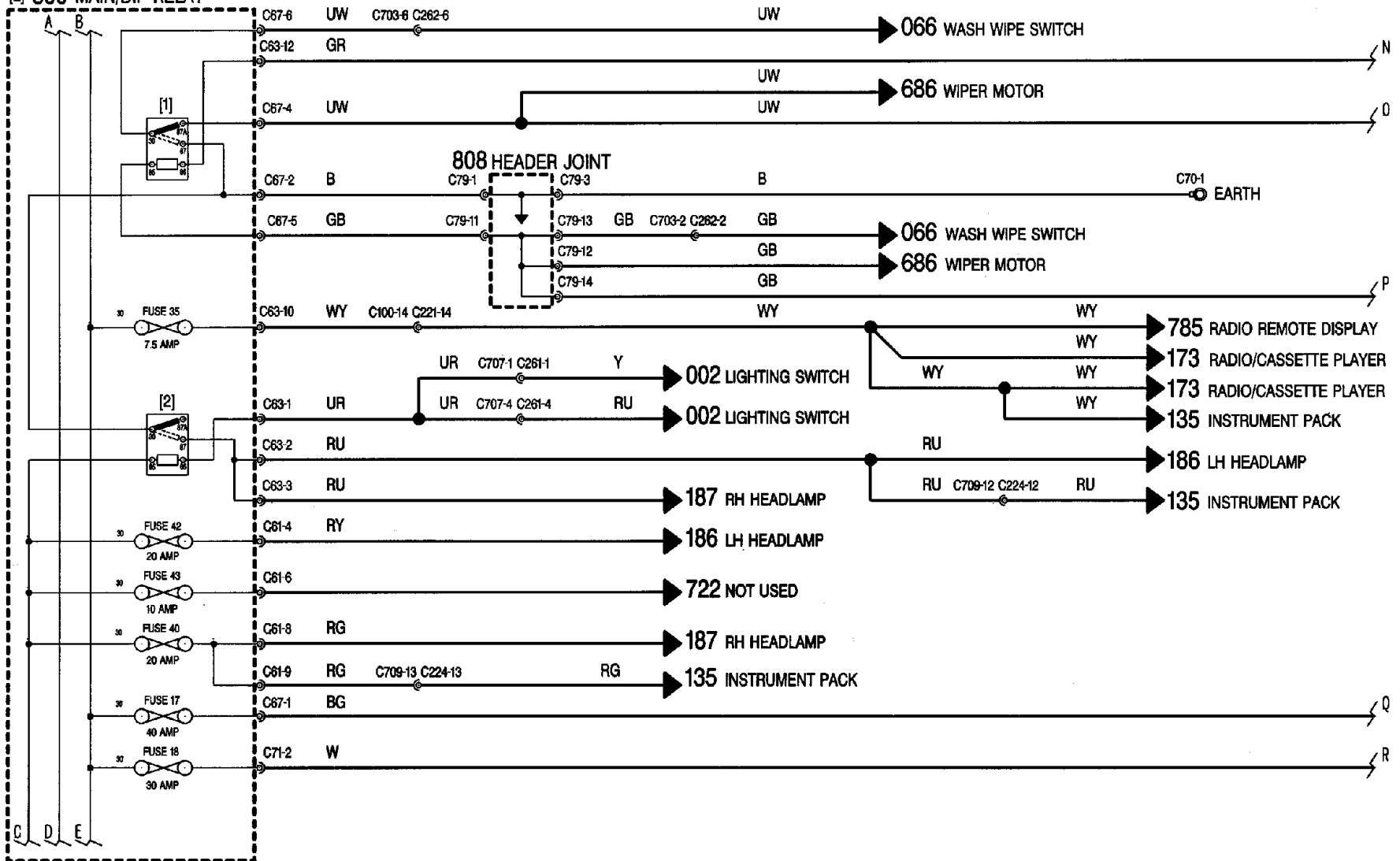




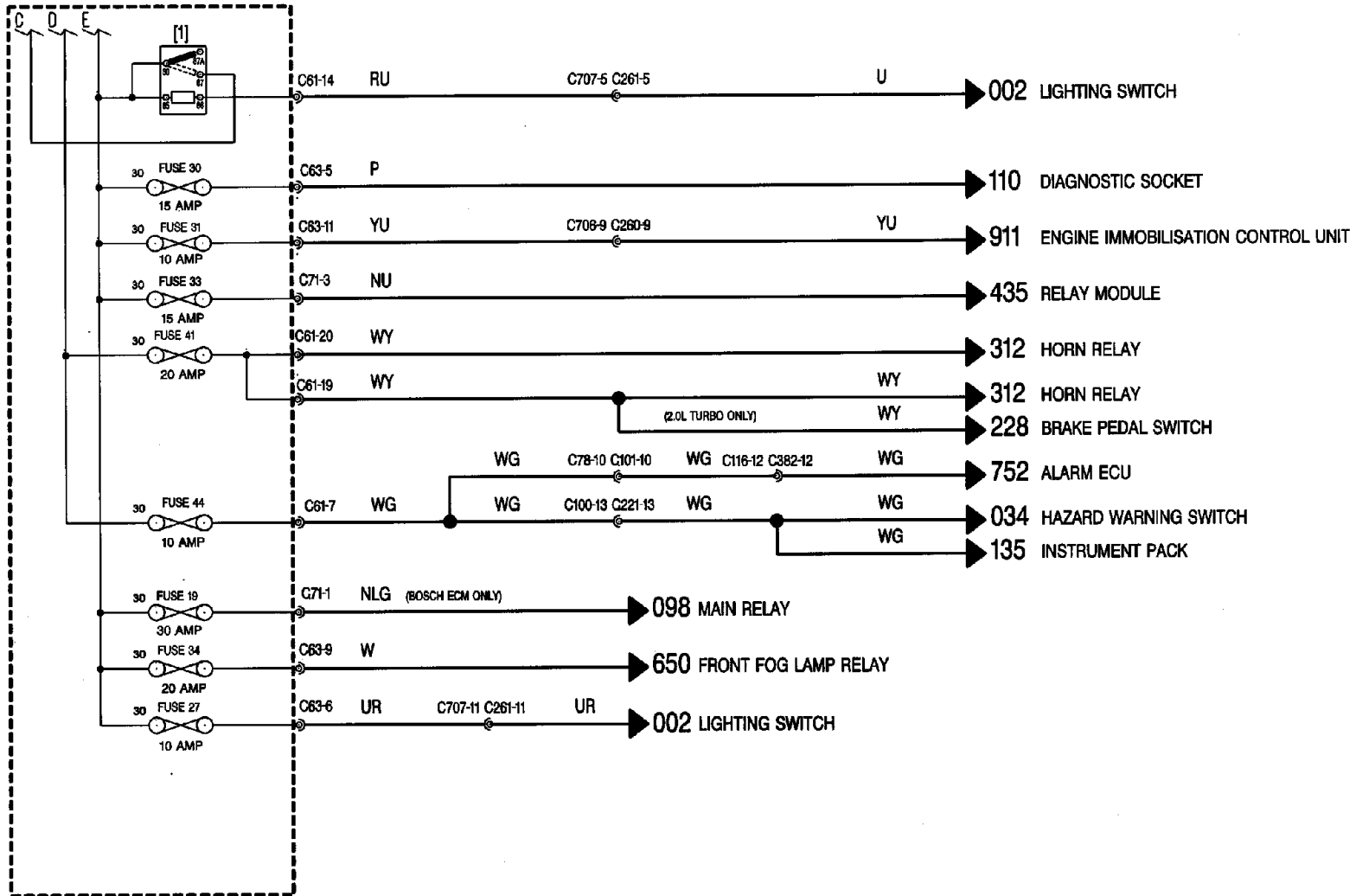


**537 ENGINE COMPARTMENT FUSEBOX**

- [1] 383 WIPER RELAY
- [2] 300 MAIN/DIP RELAY



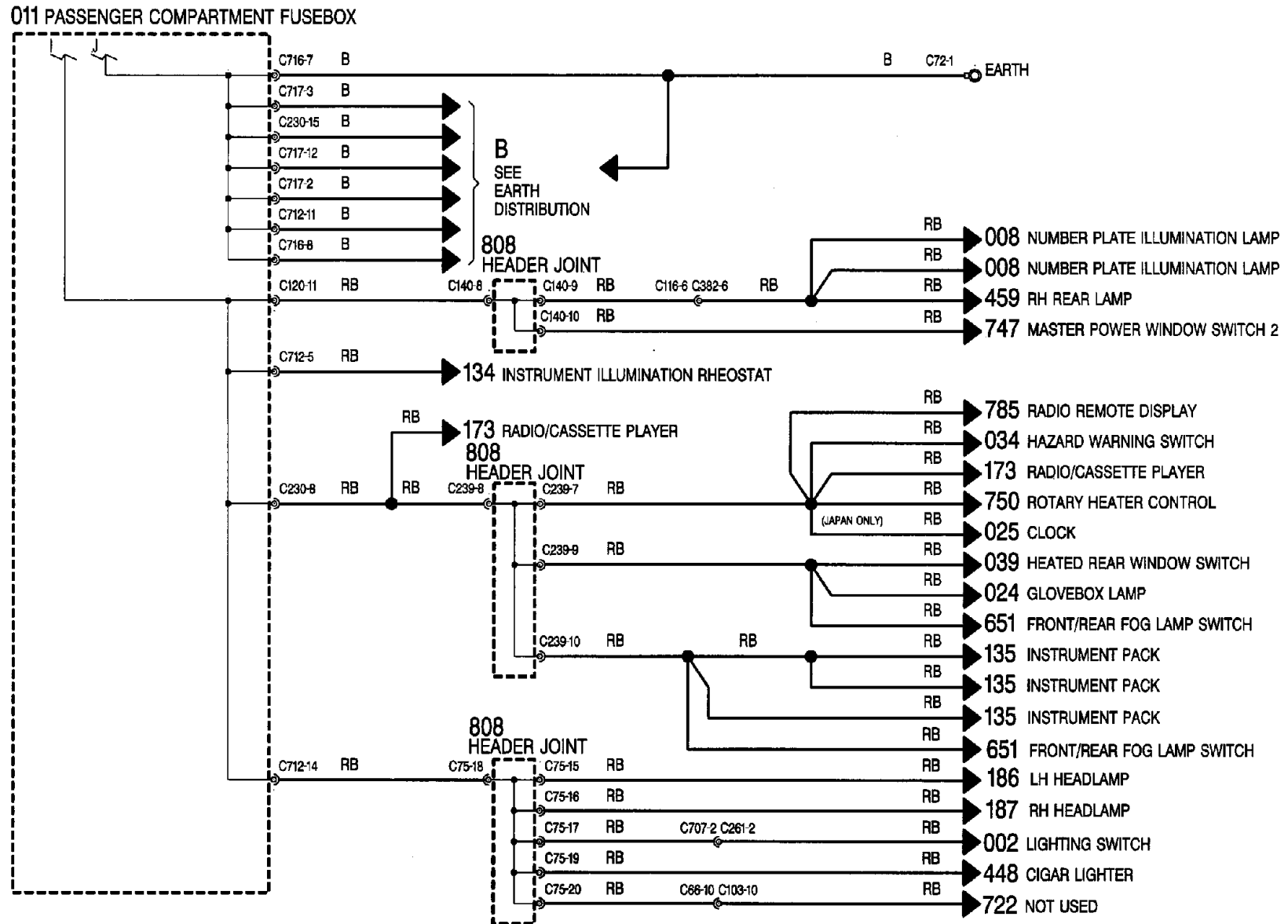
**537 ENGINE COMPARTMENT FUSEBOX**  
[1] 295 LIGHTING RELAY









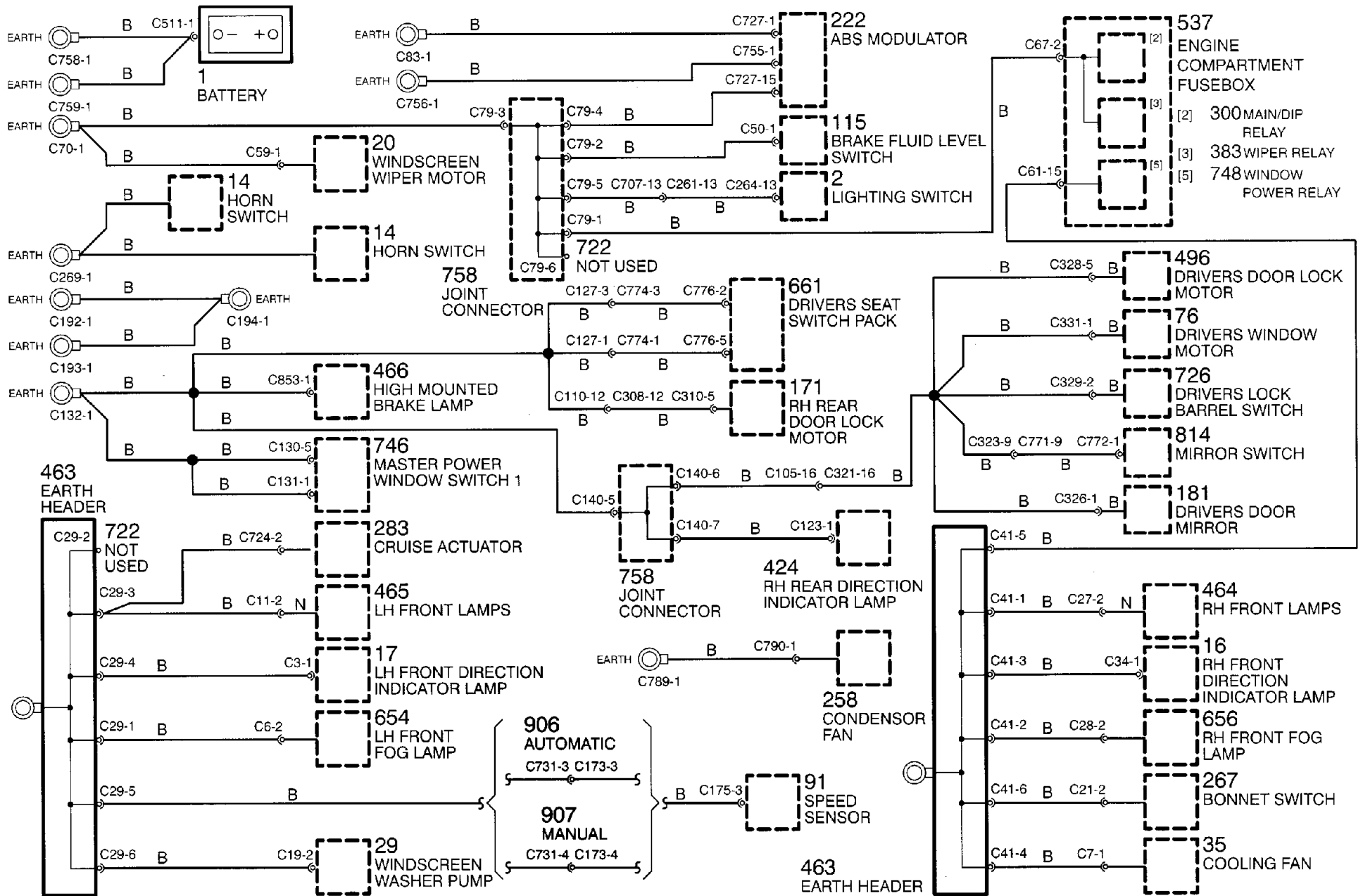


# EARTH DISTRIBUTION

1.8, 2.0 & 2.3 PGM-FI

1996 ROVER 600

(RHD)



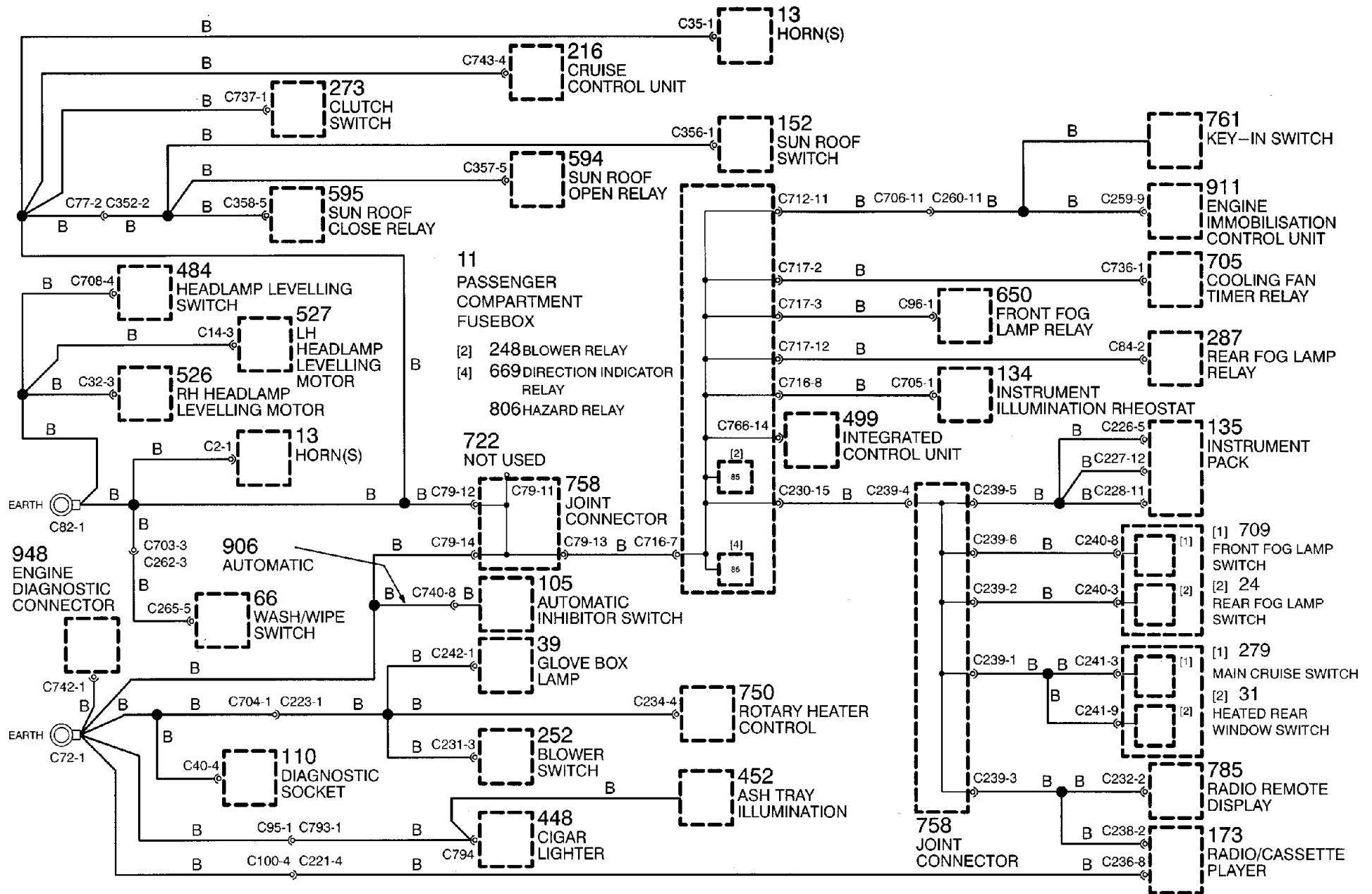


# EARTH DISTRIBUTION

1.8, 2.0 & 2.3 PGM-FI

1996 ROVER 600

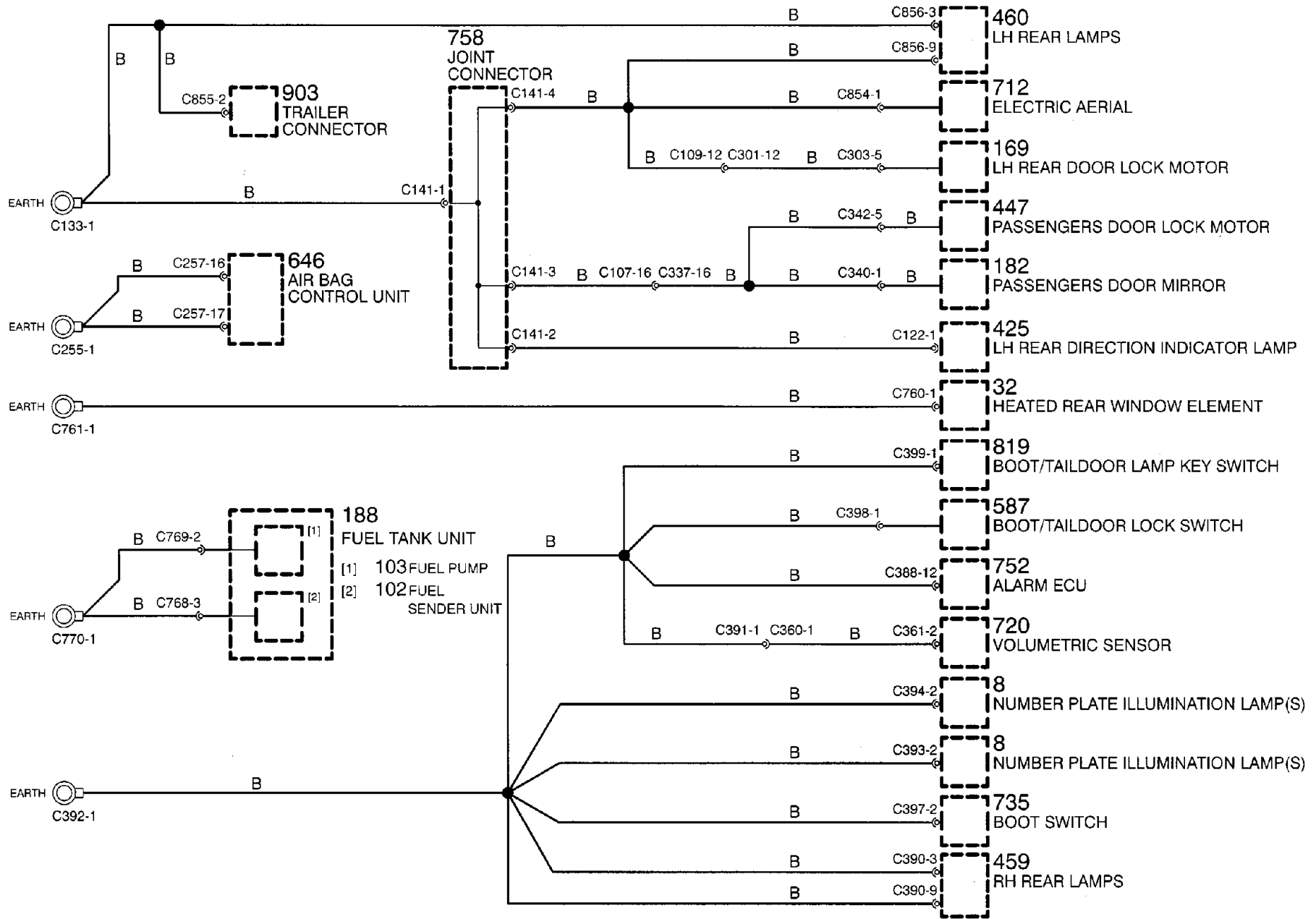
(RHD)



# EARTH DISTRIBUTION

1.8, 2.0 & 2.3 PGM-FI

1996 ROVER 600  
(RHD)

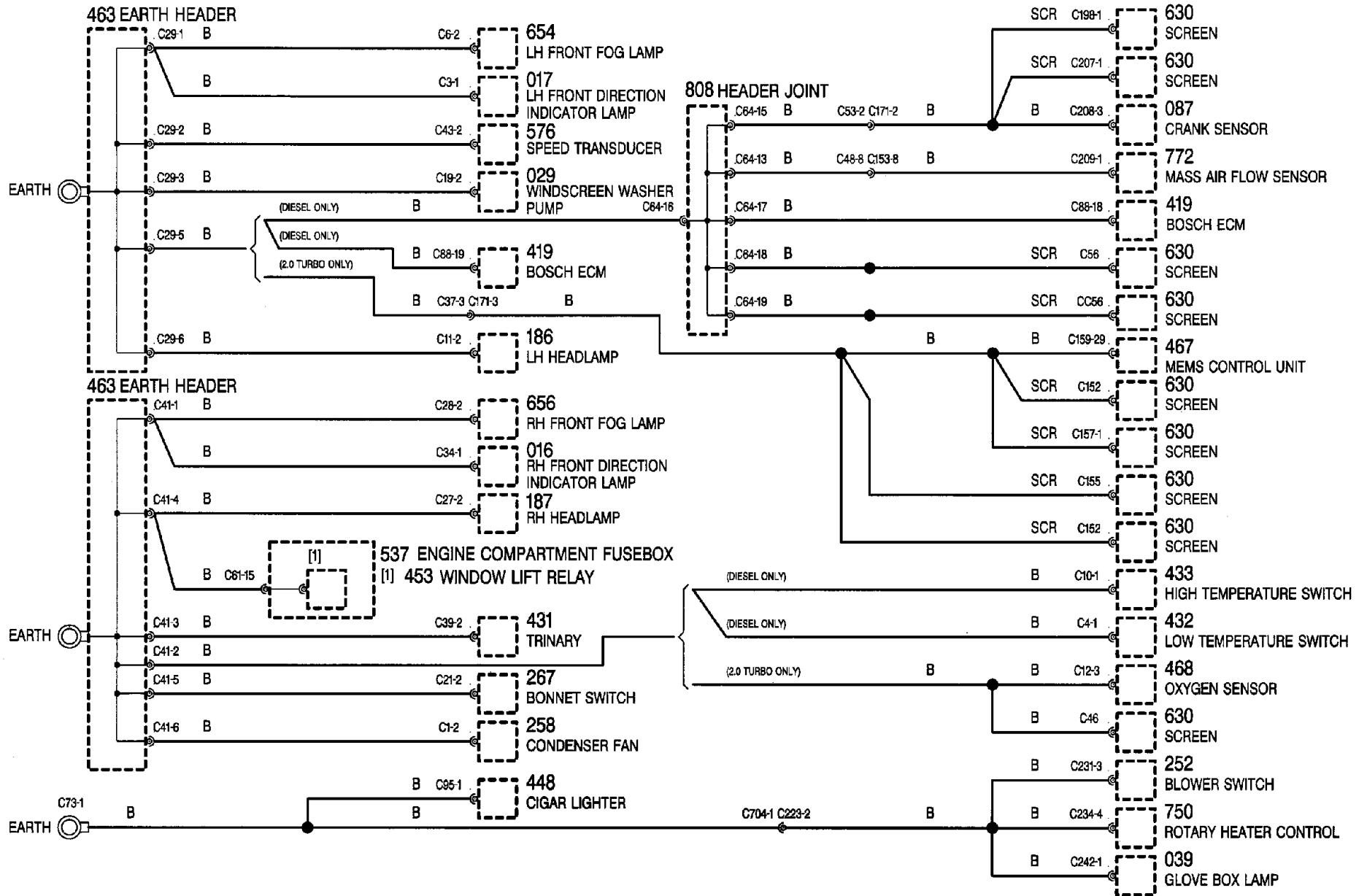


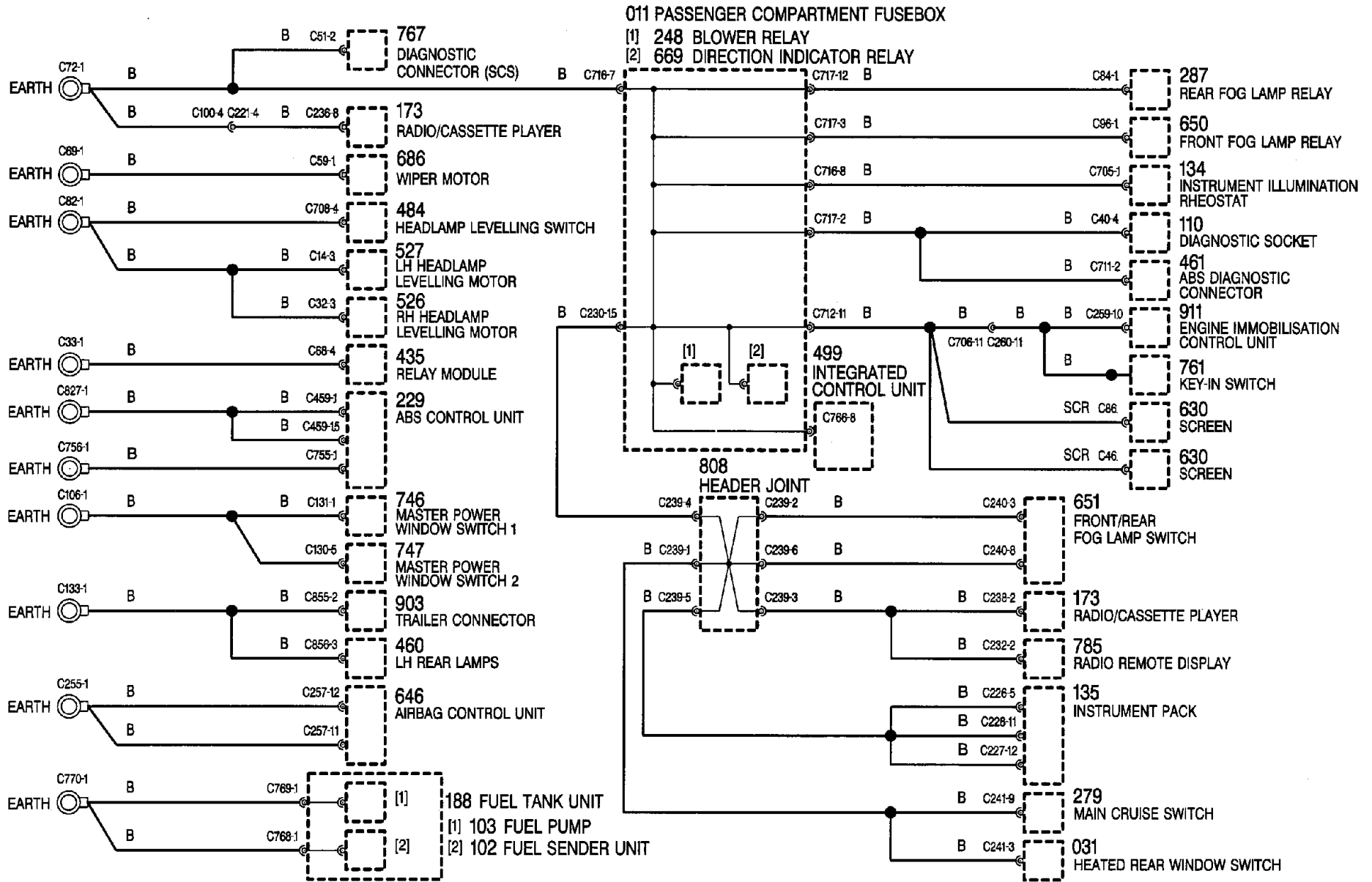
# EARTH DISTRIBUTION

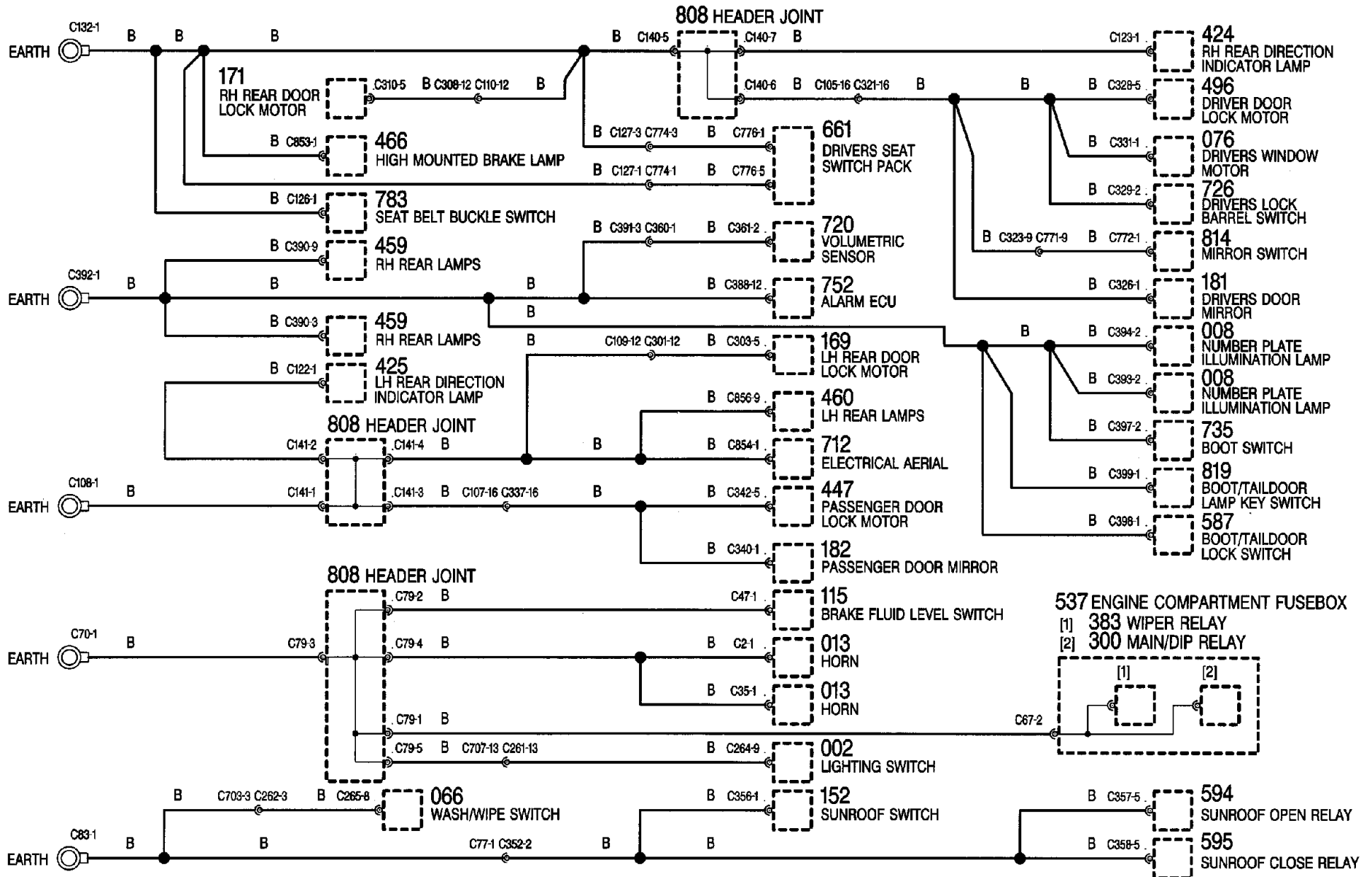
T-SERIES 2.0, L-SERIES

1996 ROVER 600

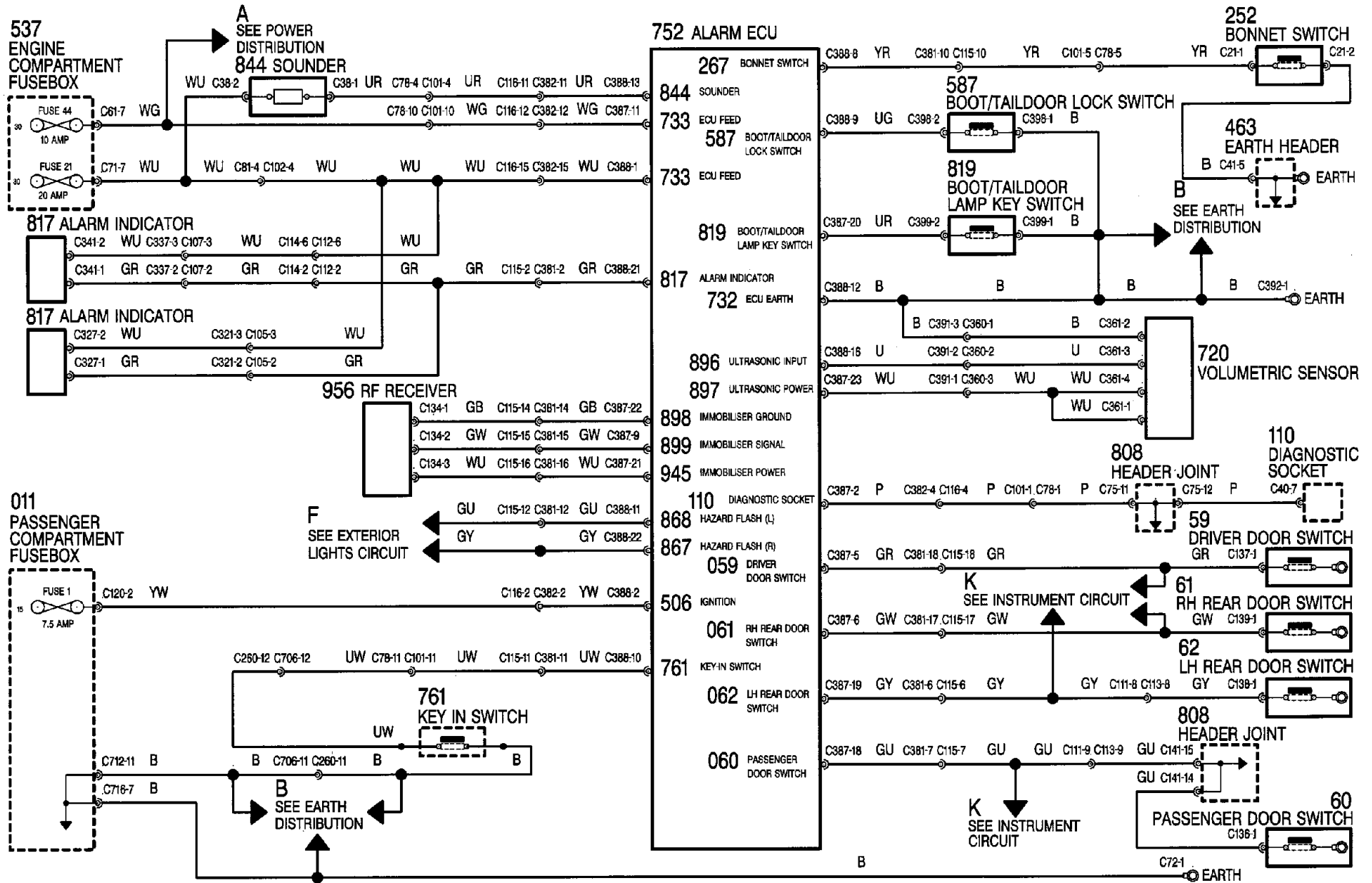
(RHD)

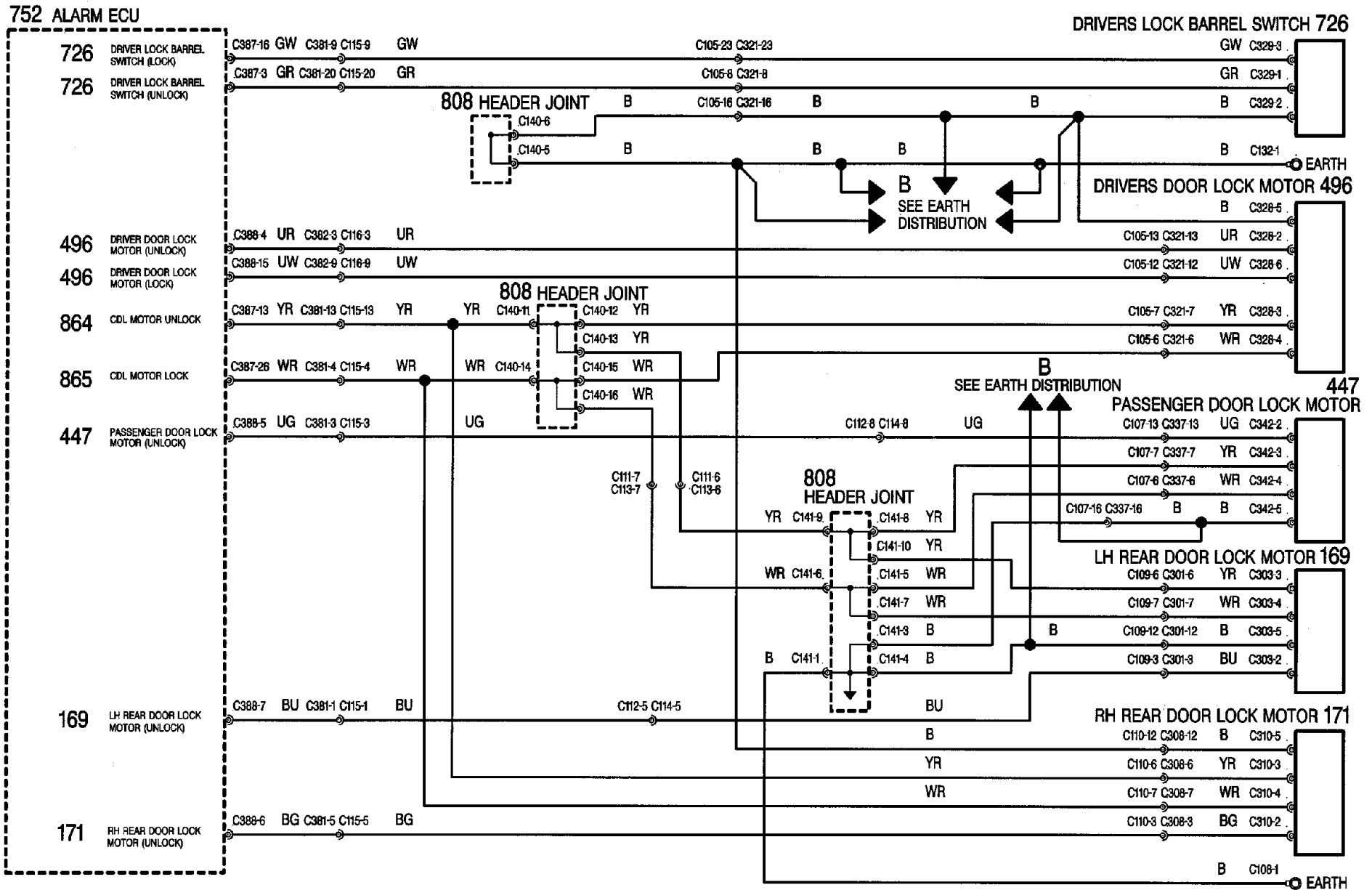










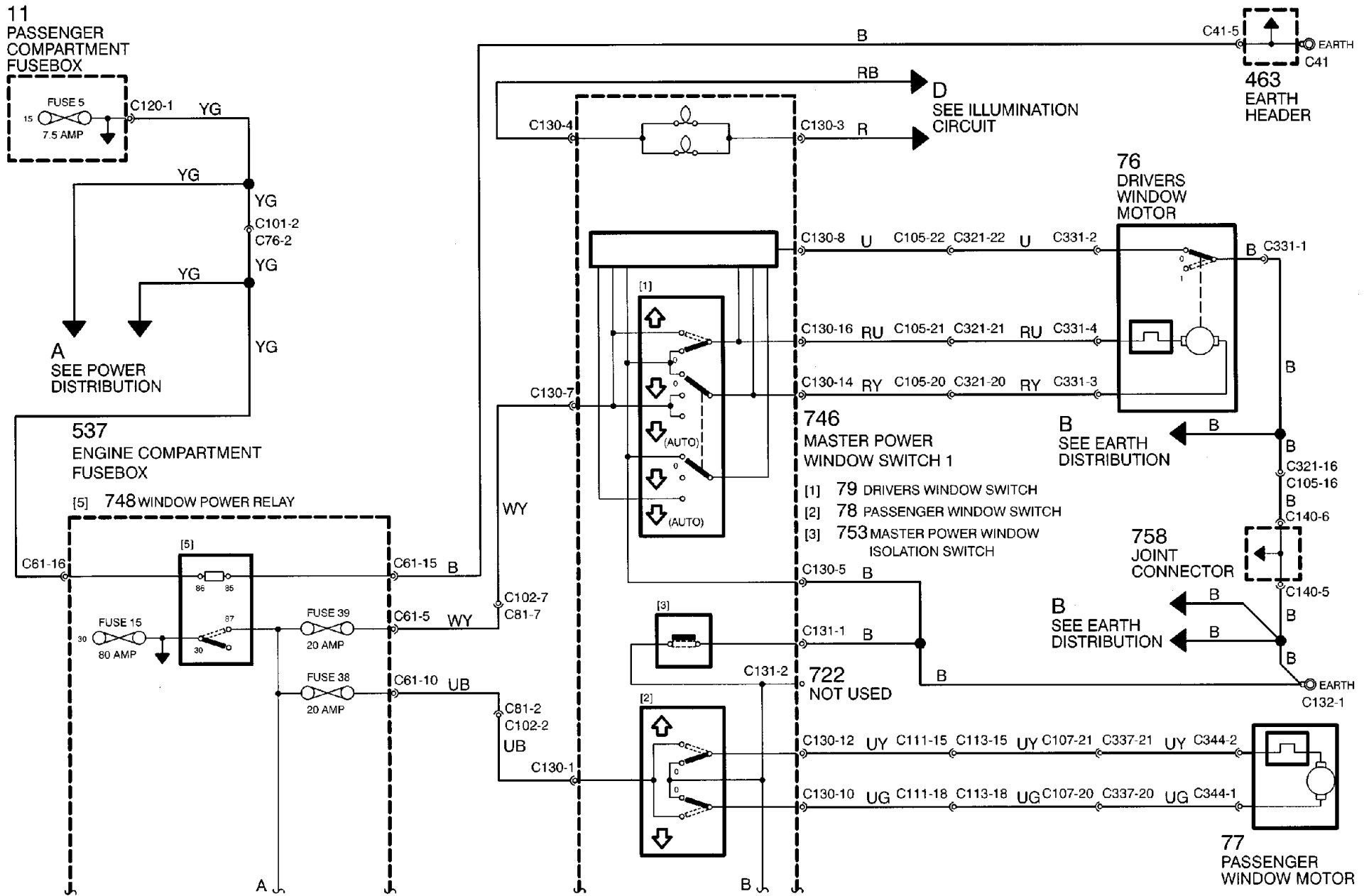


# WINDOWS

## FRONT AND REAR WINDOWS

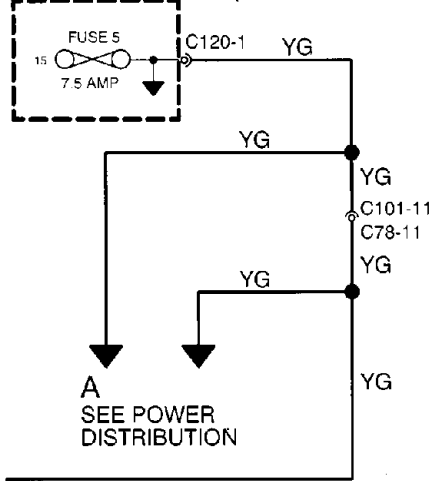
1996 ROVER 600

(RHD)

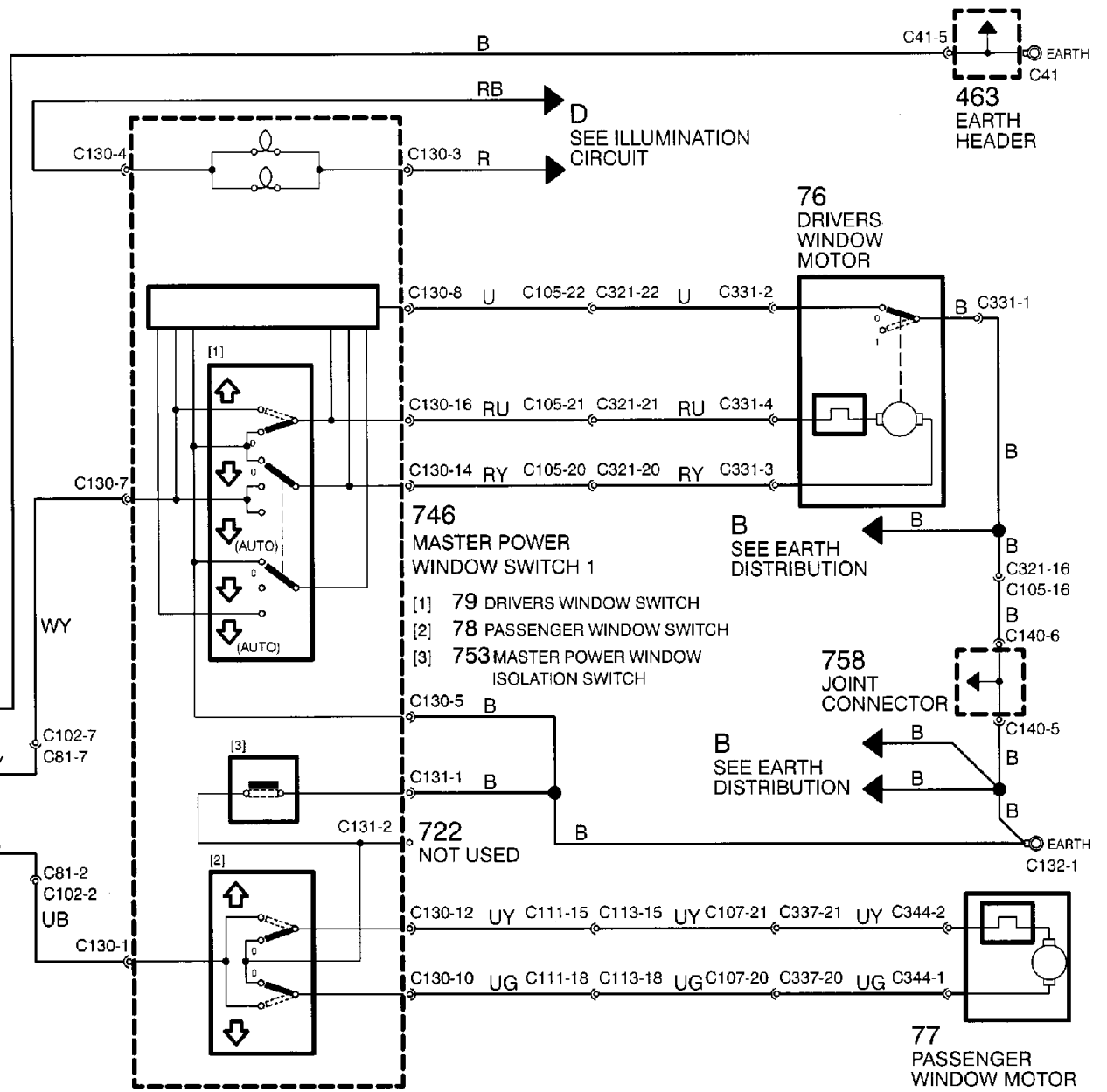
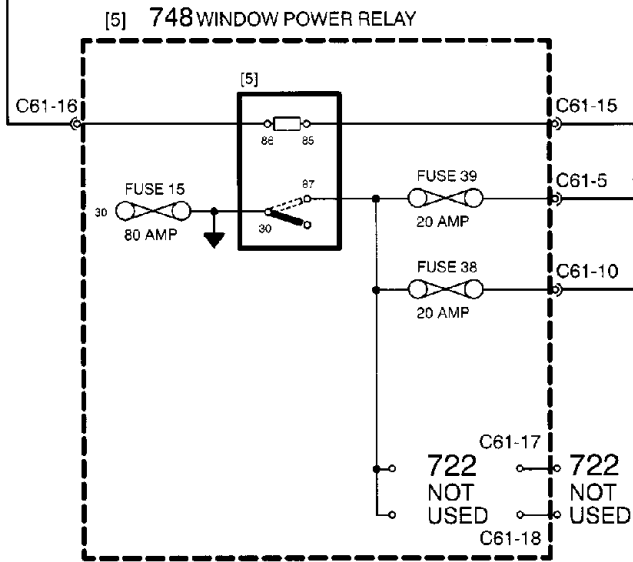


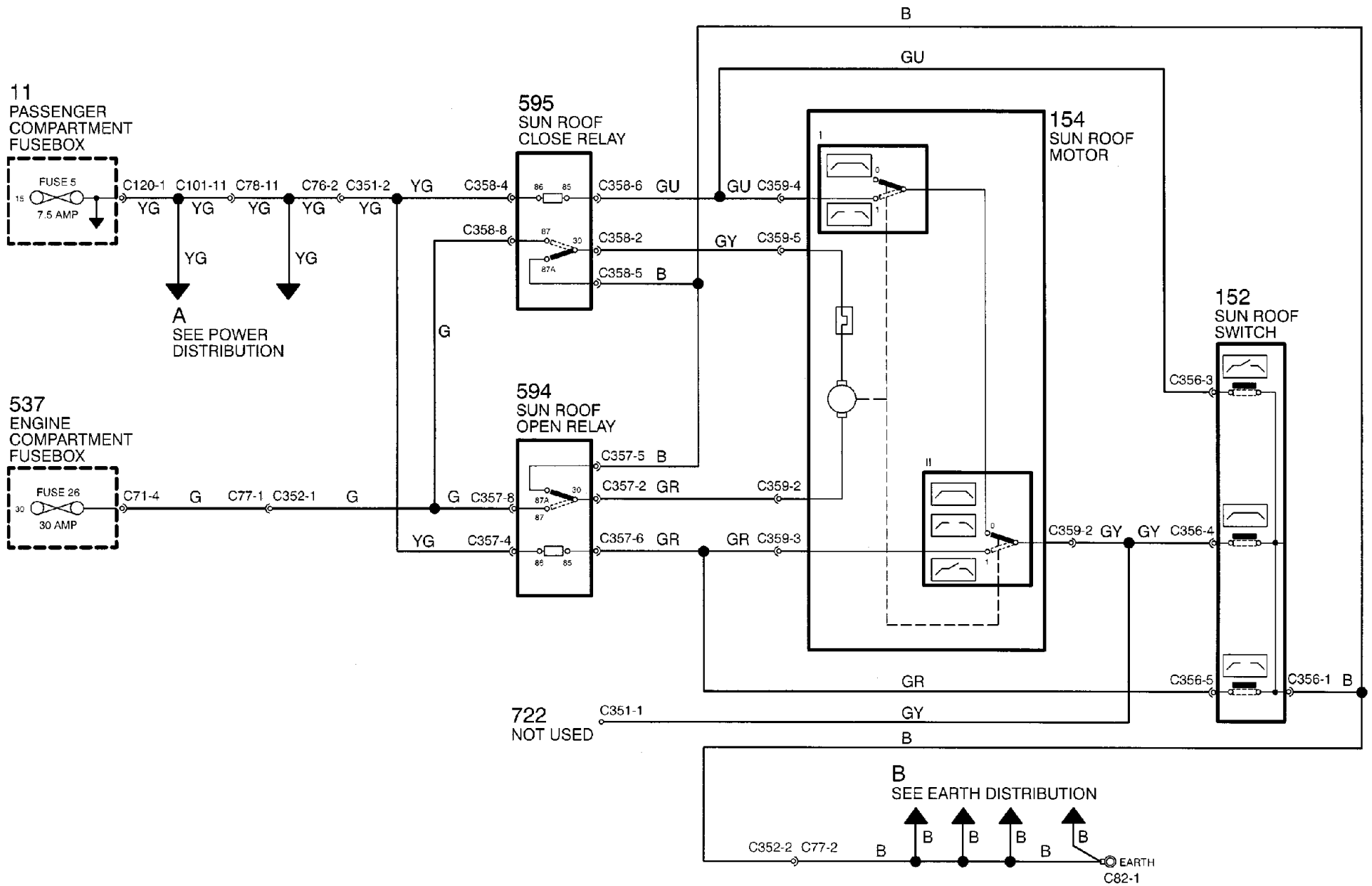


11  
PASSENGER  
COMPARTMENT  
FUSEBOX



537  
ENGINE COMPARTMENT  
FUSEBOX

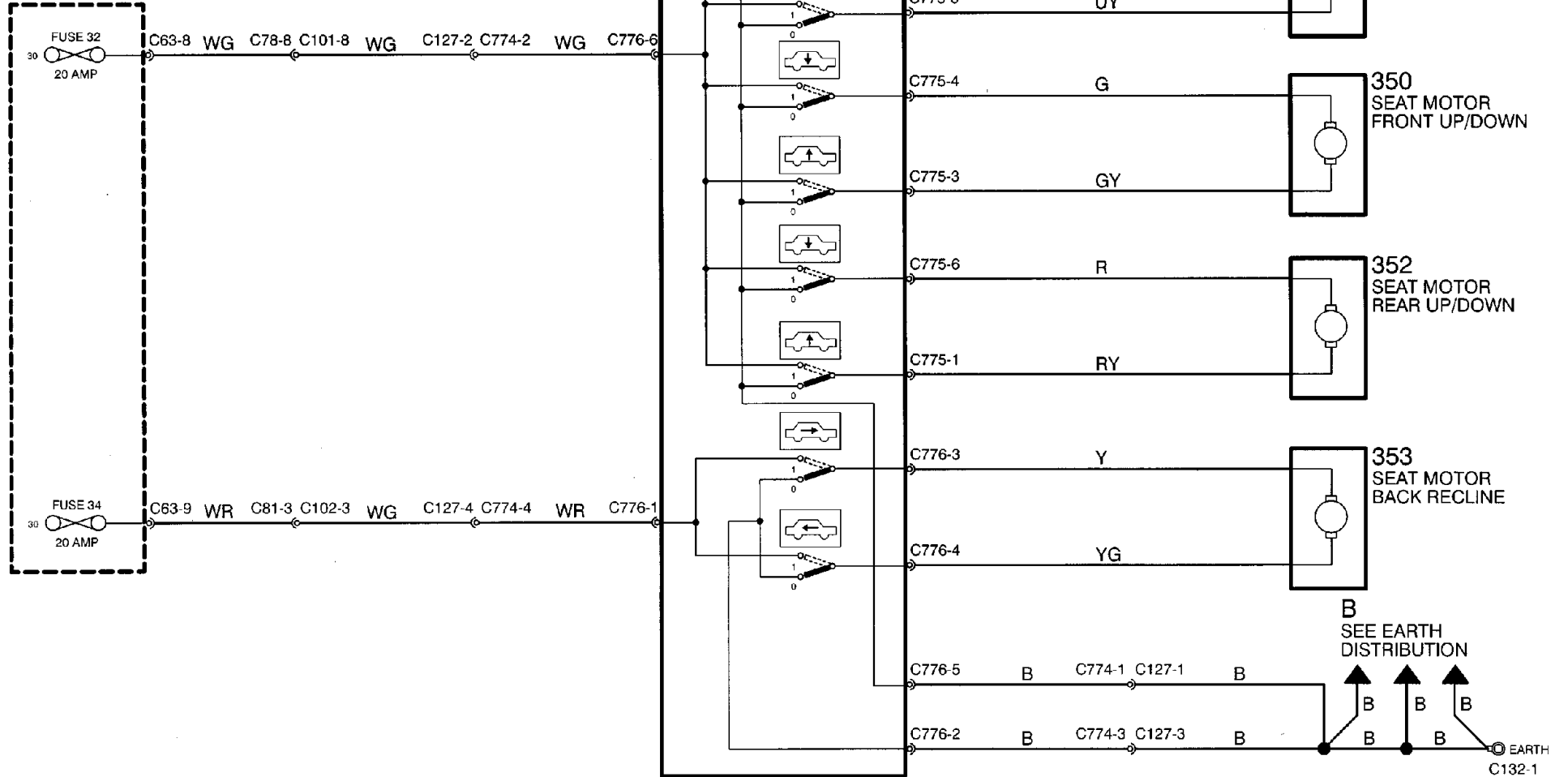






661  
DRIVERS SEAT  
SWITCH PACK

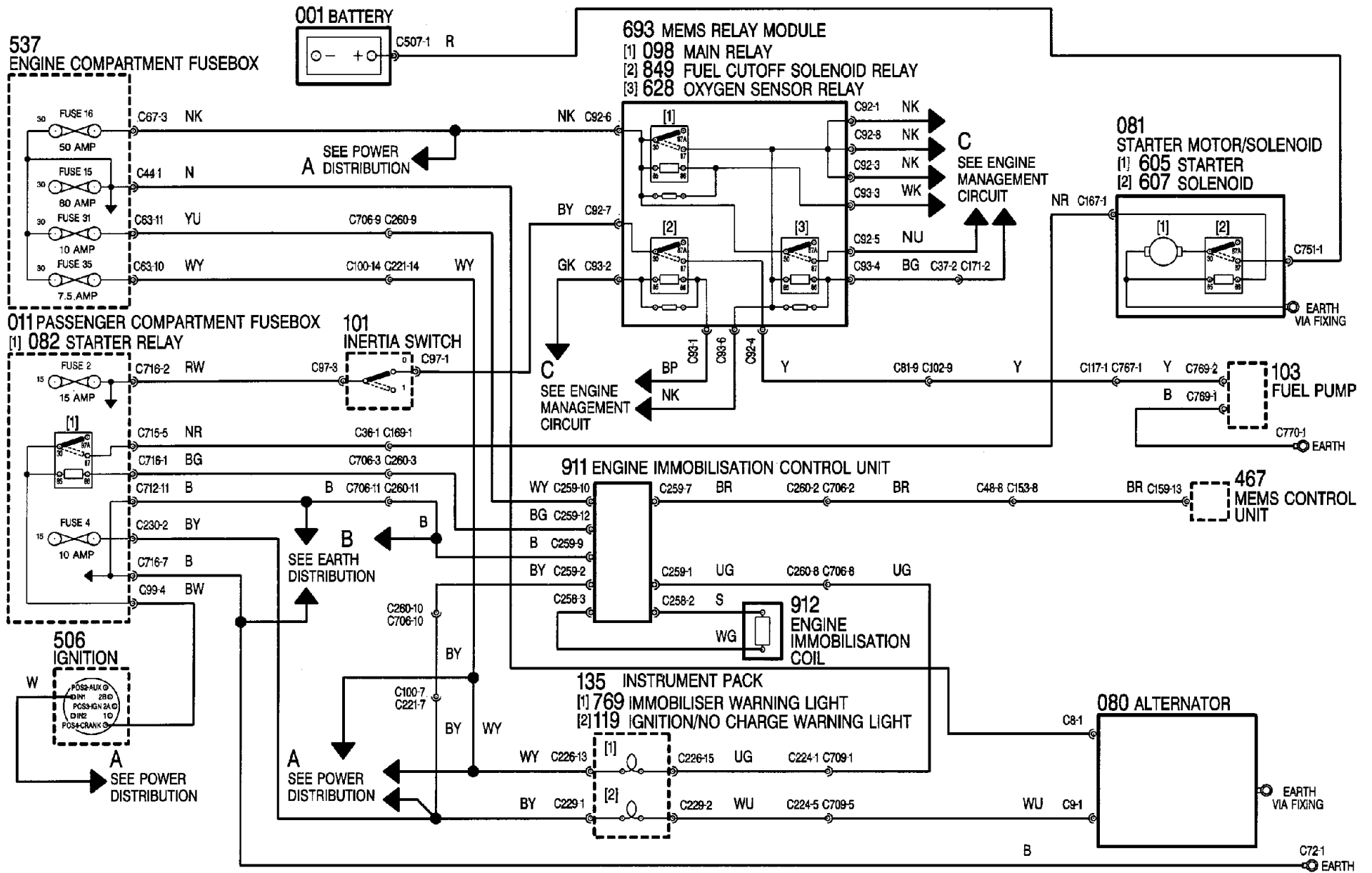
537  
ENGINE  
COMPARTMENT  
FUSEBOX

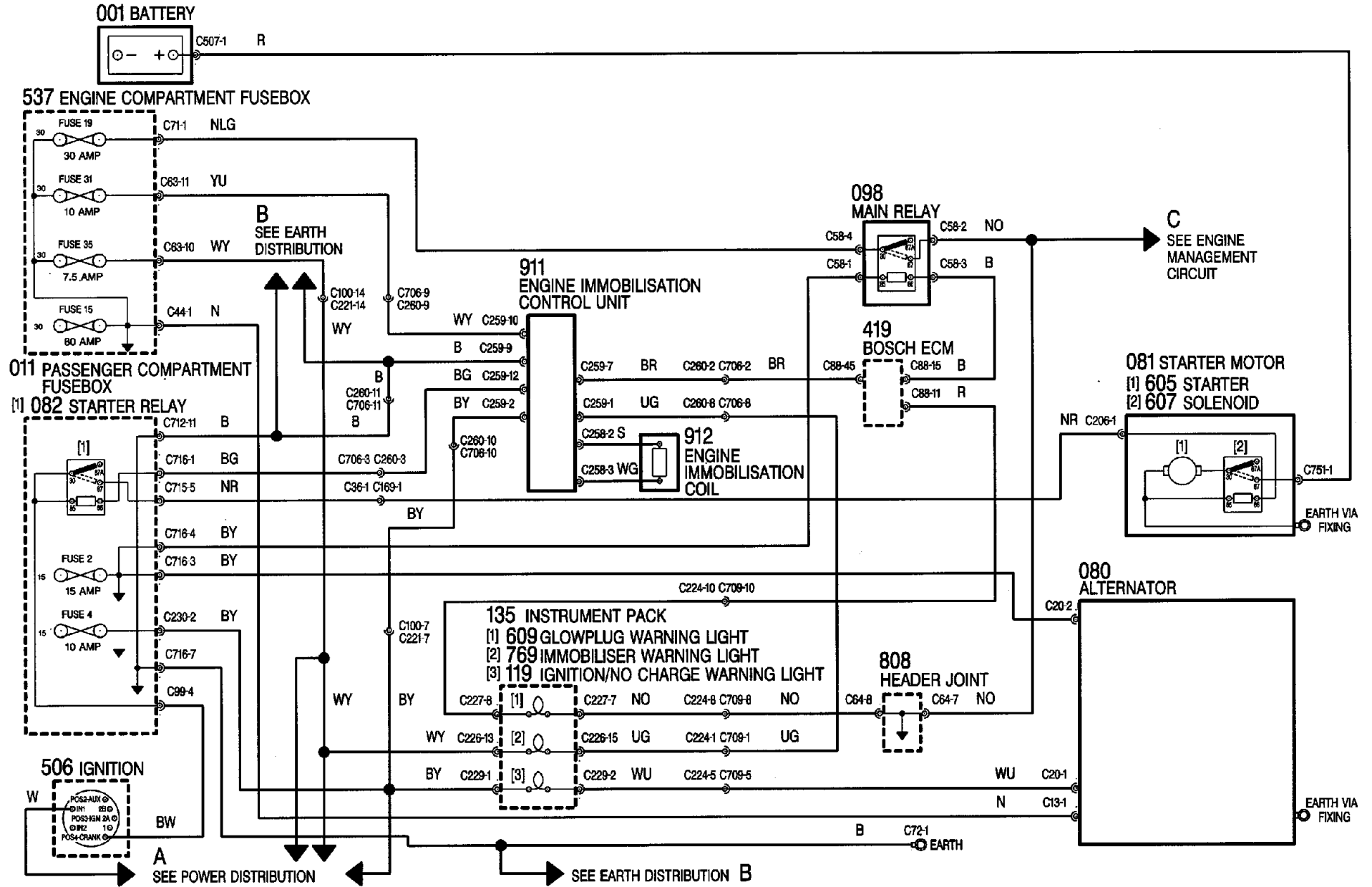
































































































created using  
**BCL easyPDF  
Printer Driver**

[Click here](#) to purchase a license to remove this image



created using  
**BCL easyPDF  
Printer Driver**

[Click here](#) to purchase a license to remove this image



created using  
**BCL easyPDF  
Printer Driver**

[Click here](#) to purchase a license to remove this image



created using  
**BCL easyPDF  
Printer Driver**

[Click here](#) to purchase a license to remove this image



created using  
**BCL easyPDF  
Printer Driver**

[Click here](#) to purchase a license to remove this image



created using  
**BCL easyPDF  
Printer Driver**

[Click here](#) to purchase a license to remove this image



created using  
**BCL easyPDF  
Printer Driver**

[Click here](#) to purchase a license to remove this image



created using  
**BCL easyPDF  
Printer Driver**

[Click here](#) to purchase a license to remove this image













