

SYSTEM WIRING DIAGRAMS

Article Text

2000 Volkswagen Passat

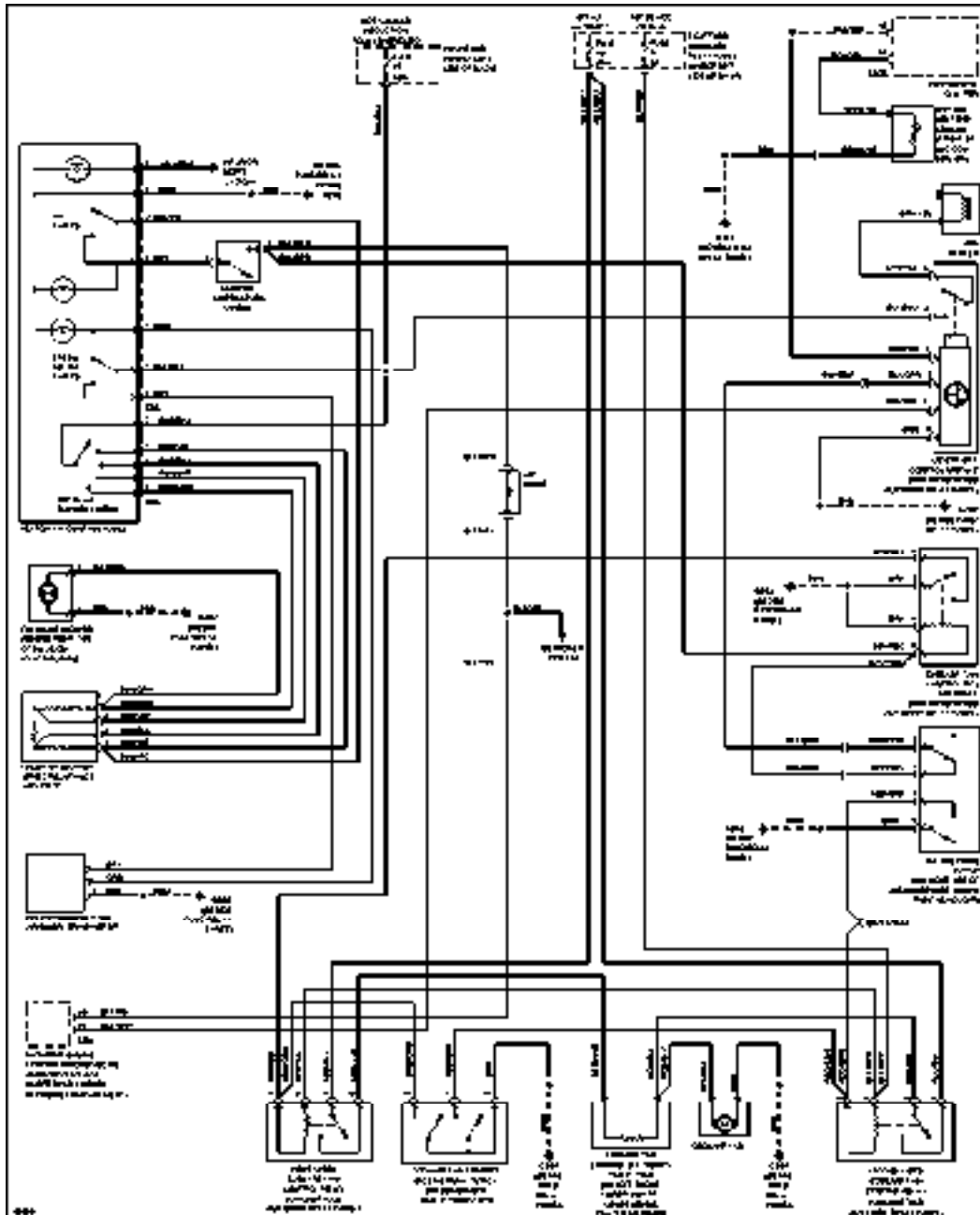
This file passed thru Volkswagen Technical Site - <http://volkswagen.msk.ru>

ARTICLE BEGINNING

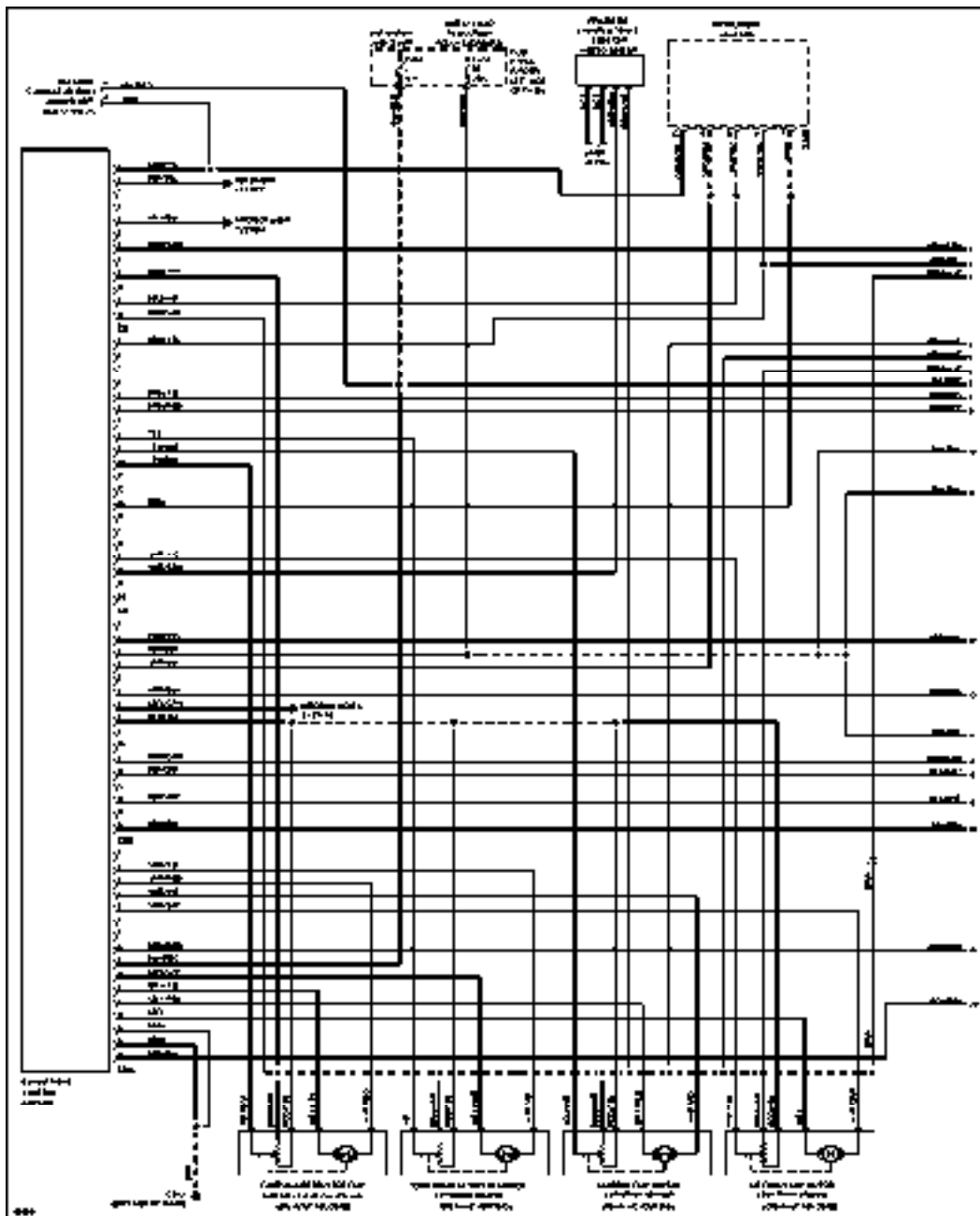
2000 System Wiring Diagrams
Volkswagen - Passat

AIR CONDITIONING

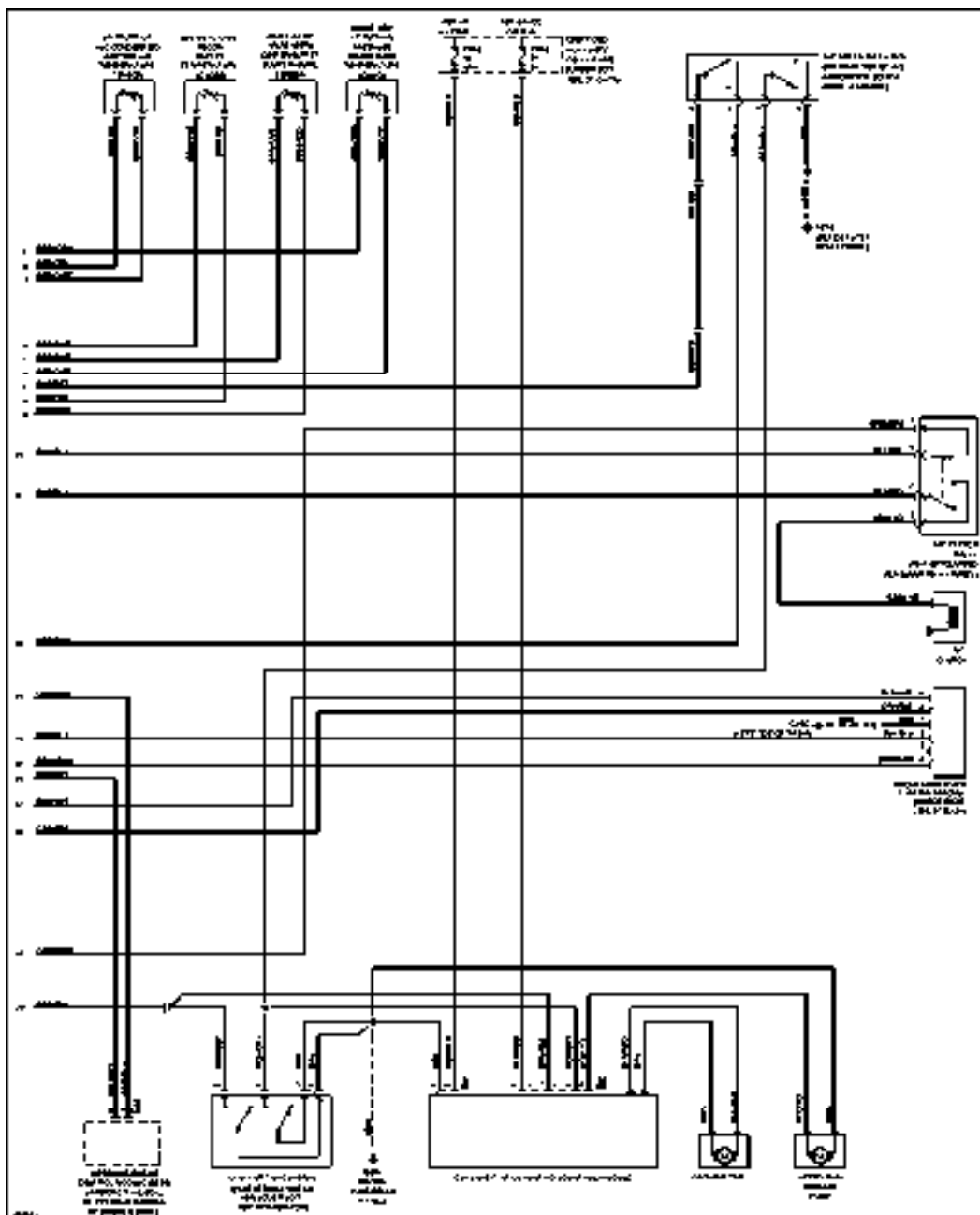
1.8L



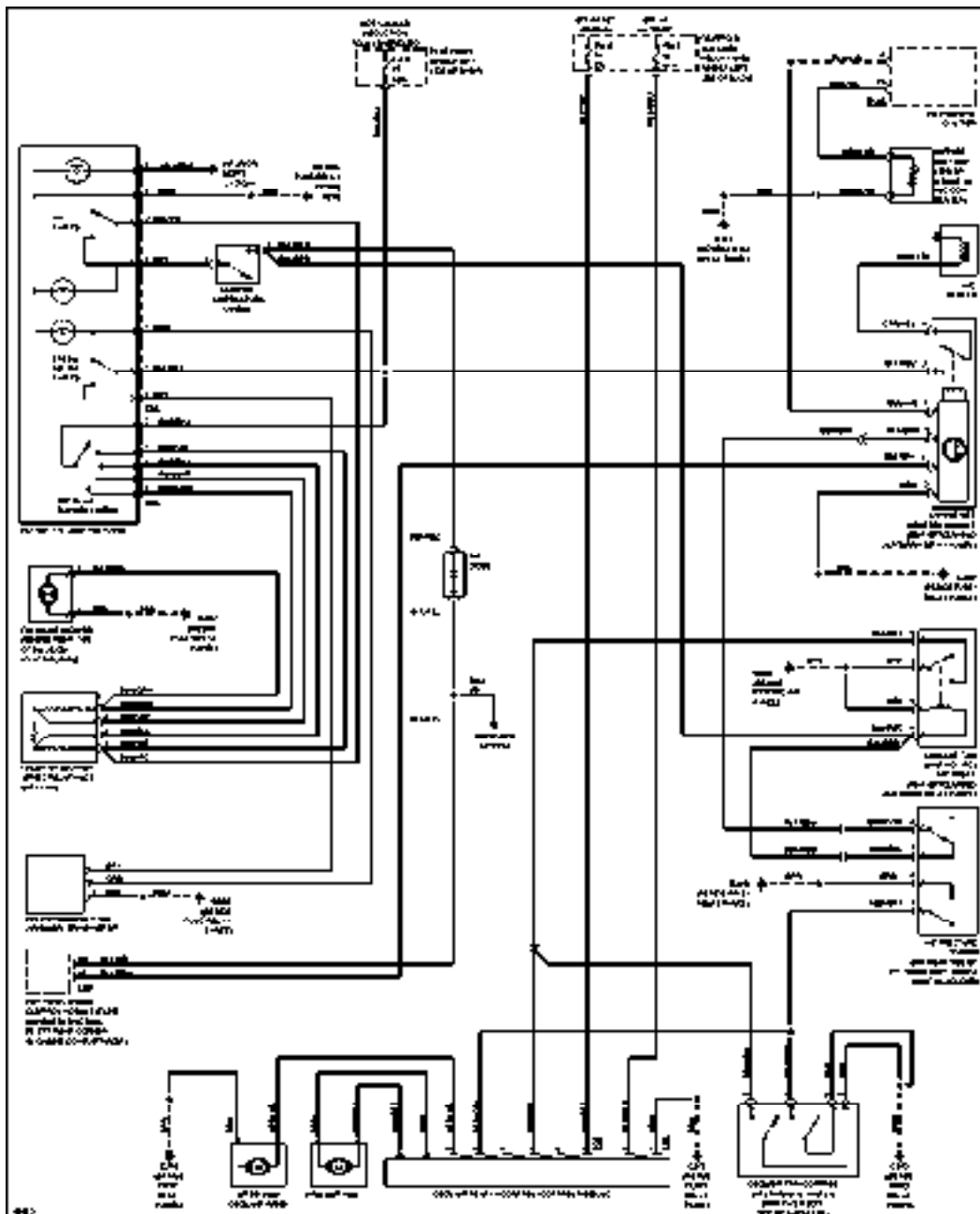
1.8L Turbo, Manual A/C Circuit



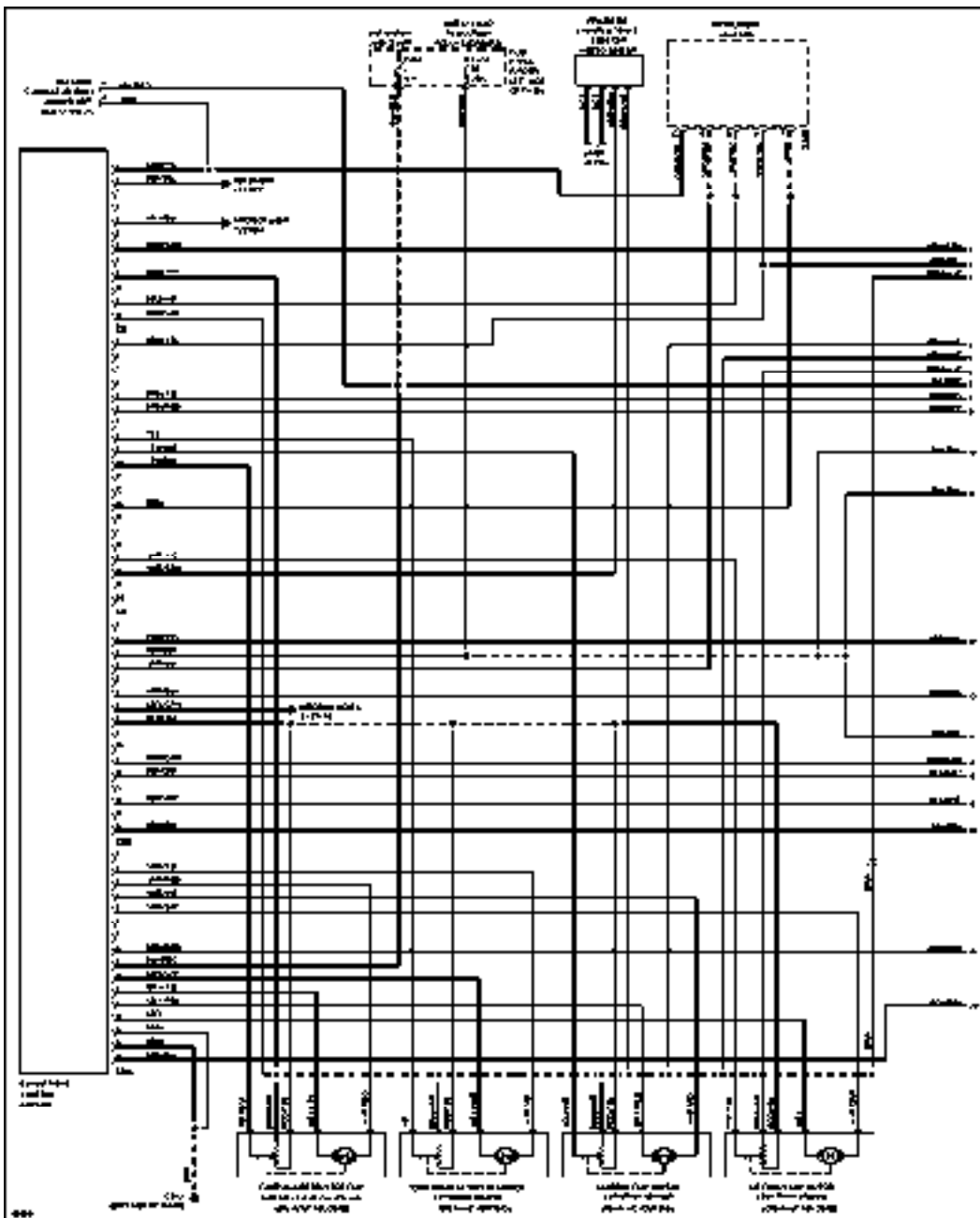
Automatic A/C Circuit (1 of 2)



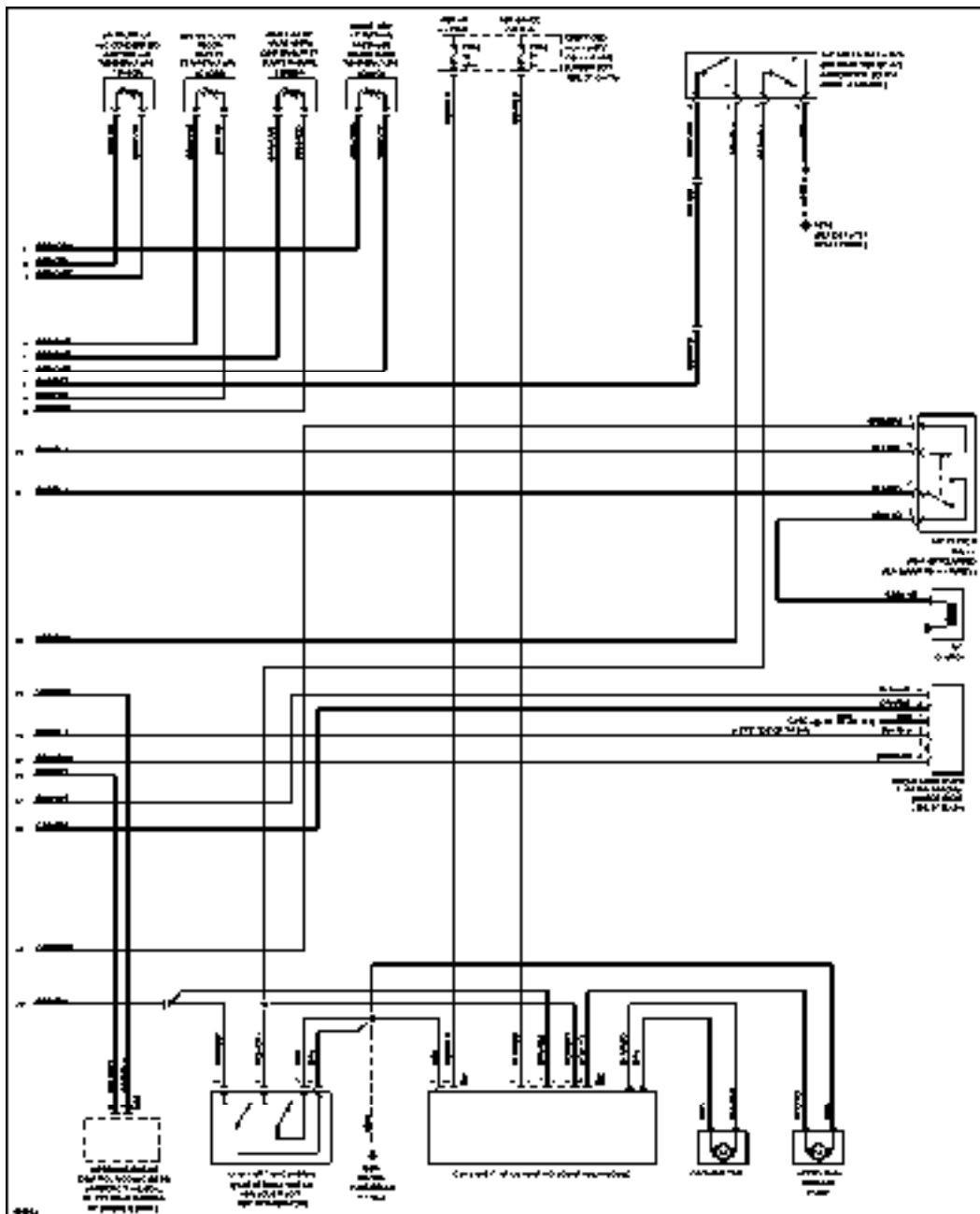
Automatic A/C Circuit (2 of 2)



2.8L, Manual A/C Circuit

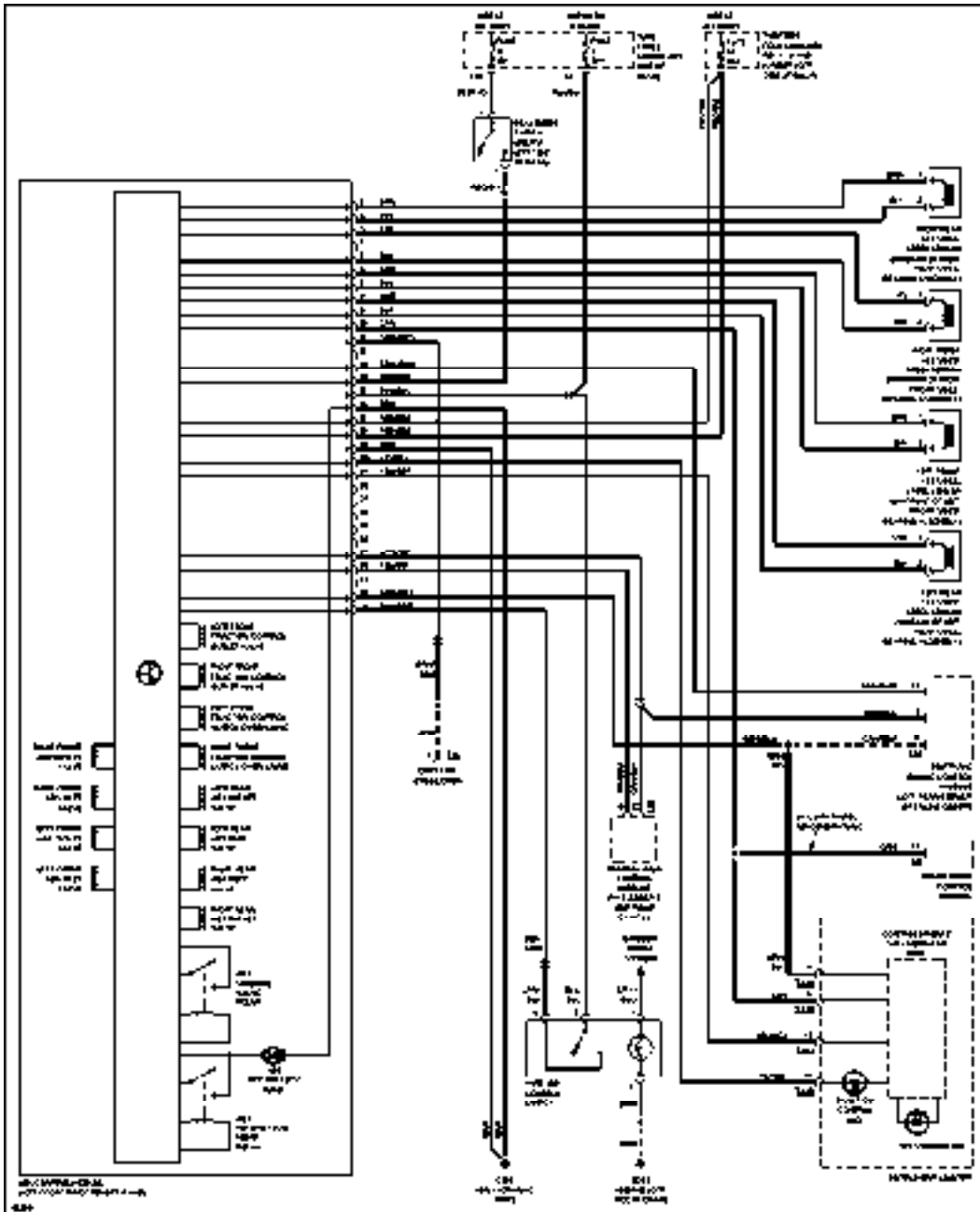


Automatic A/C Circuit (1 of 2)

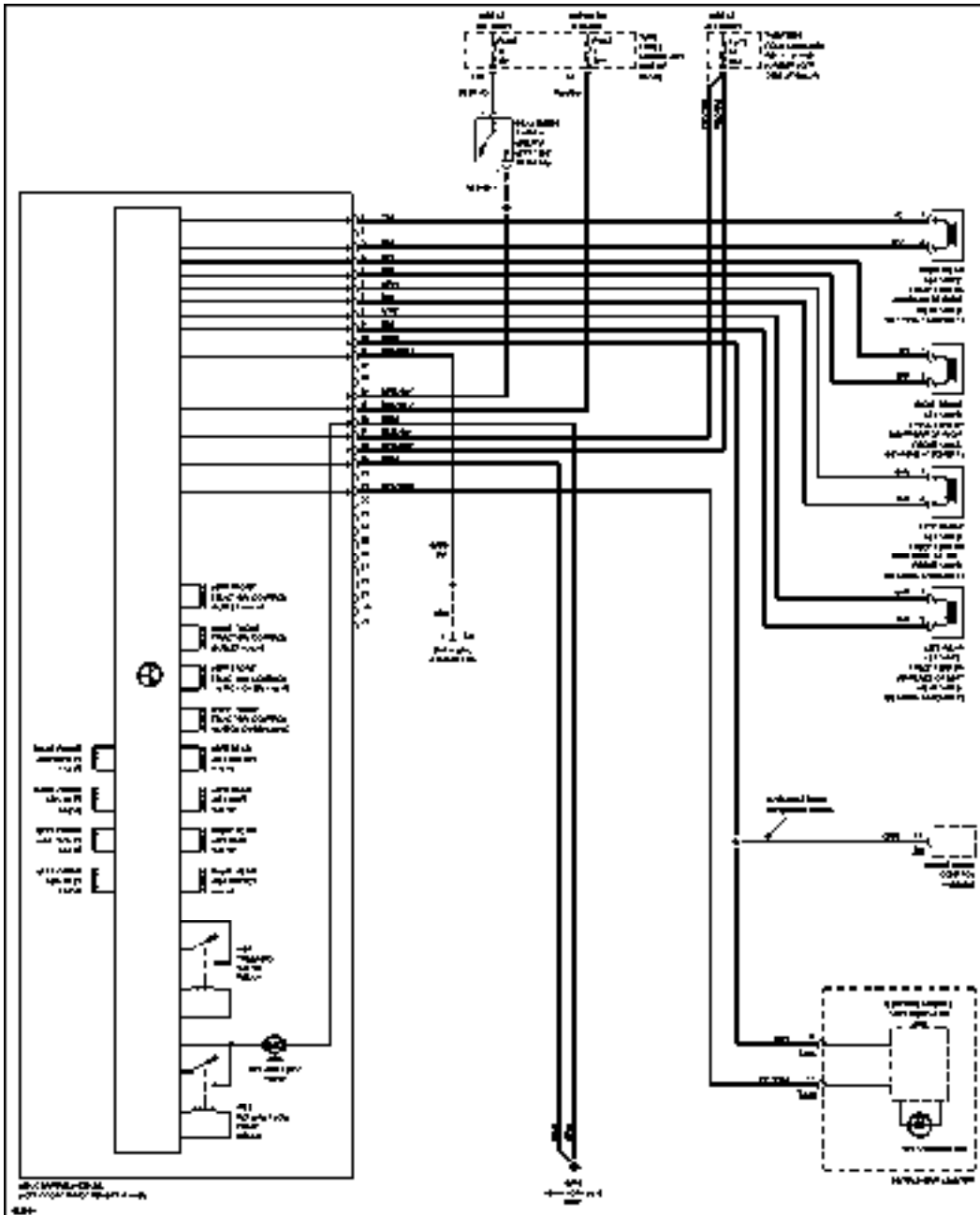


Automatic A/C Circuit (2 of 2)

ANTI-LOCK BRAKES

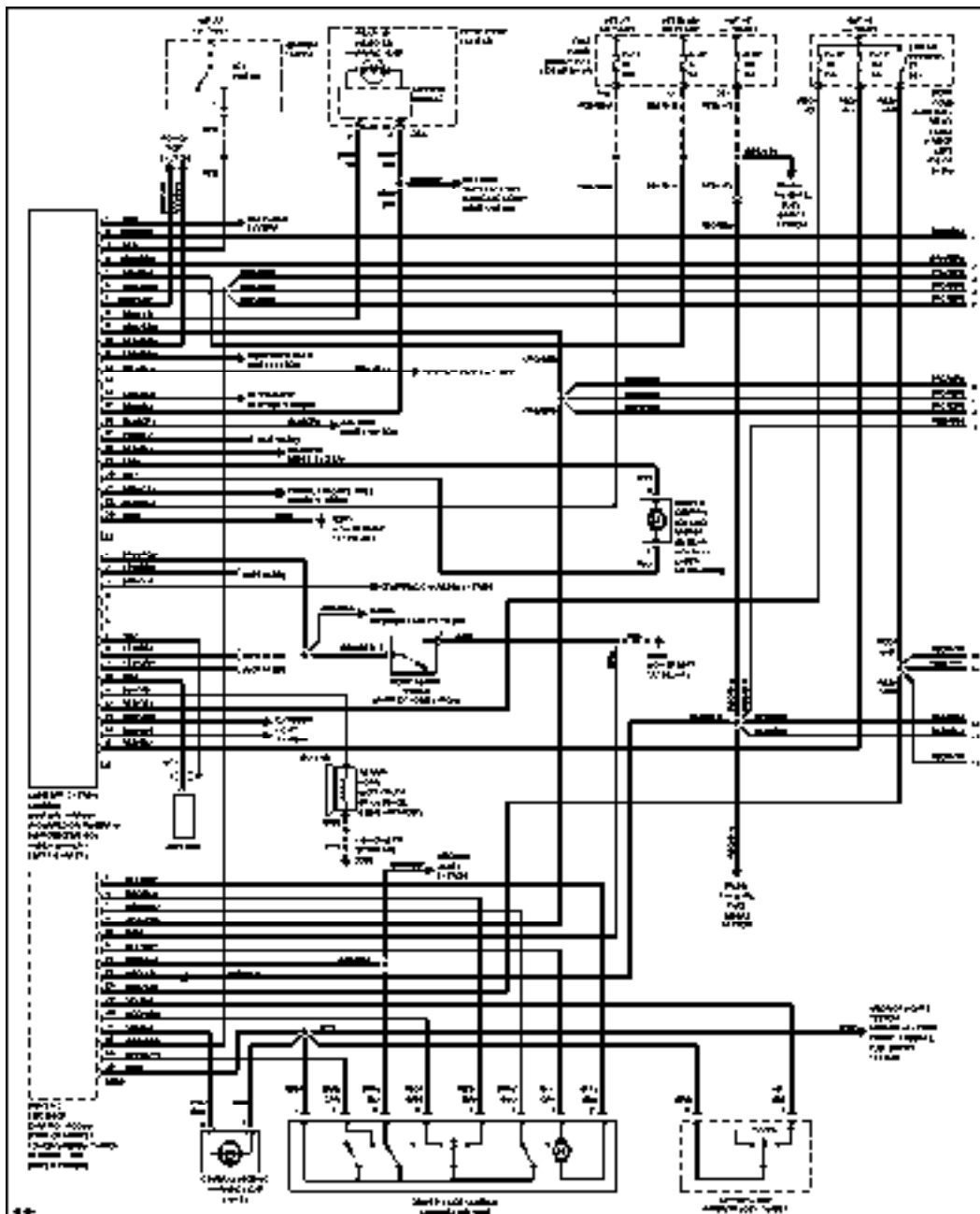


Anti-lock Brake Circuits, W/ Traction Control

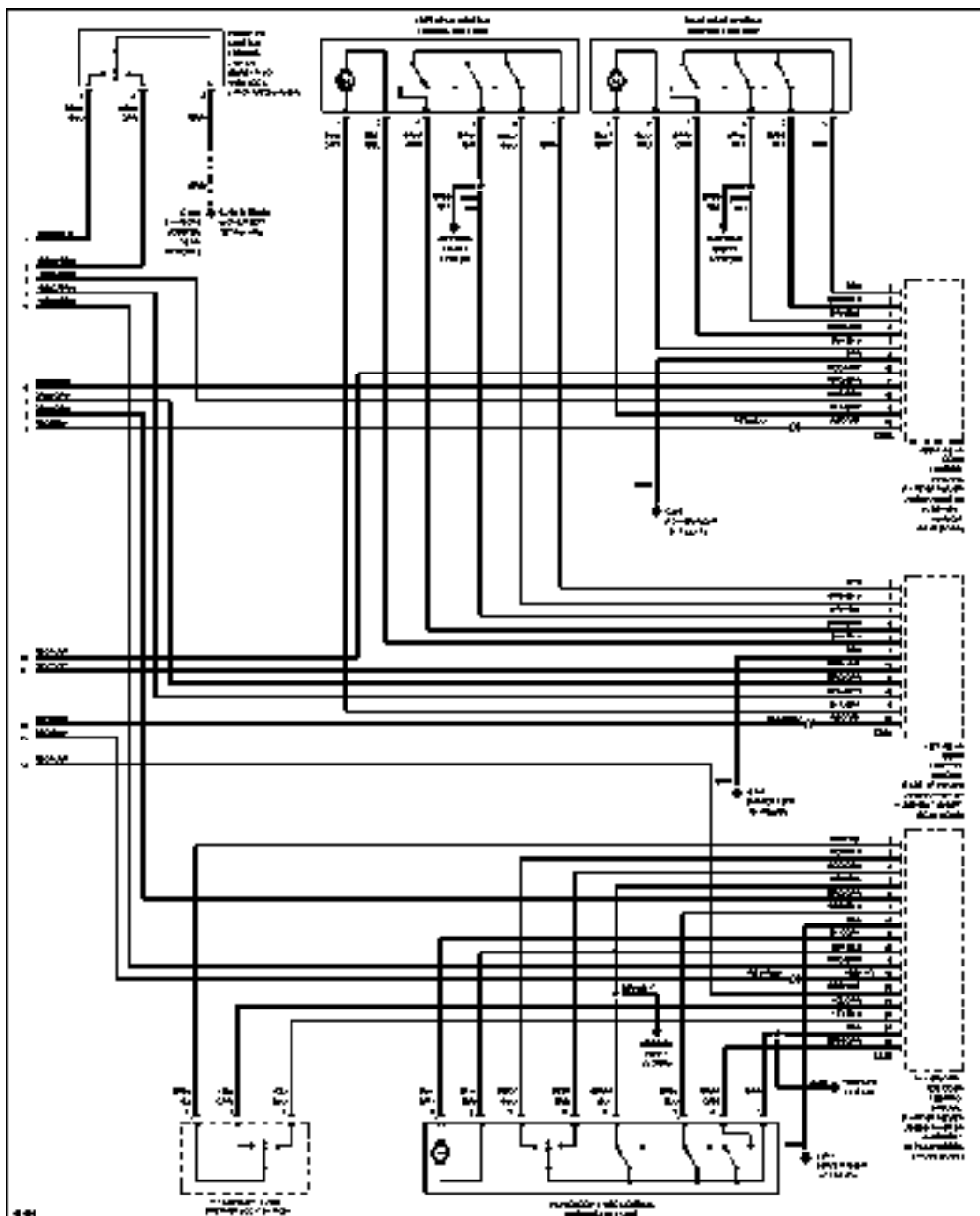


Anti-lock Brake Circuits, W/O Traction Control

ANTI-THEFT

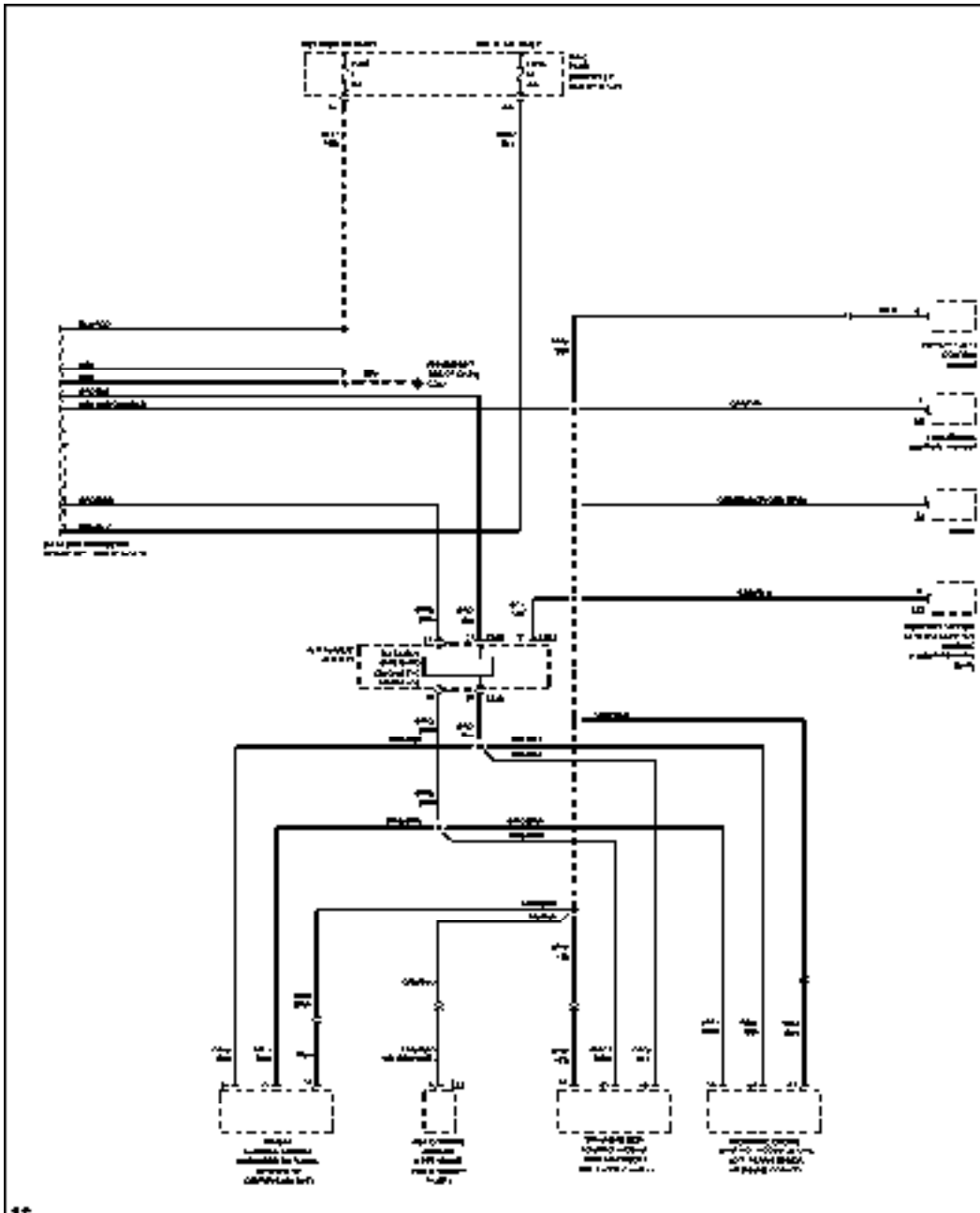


Anti-theft Circuit (1 of 2)



Anti-theft Circuit (2 of 2)

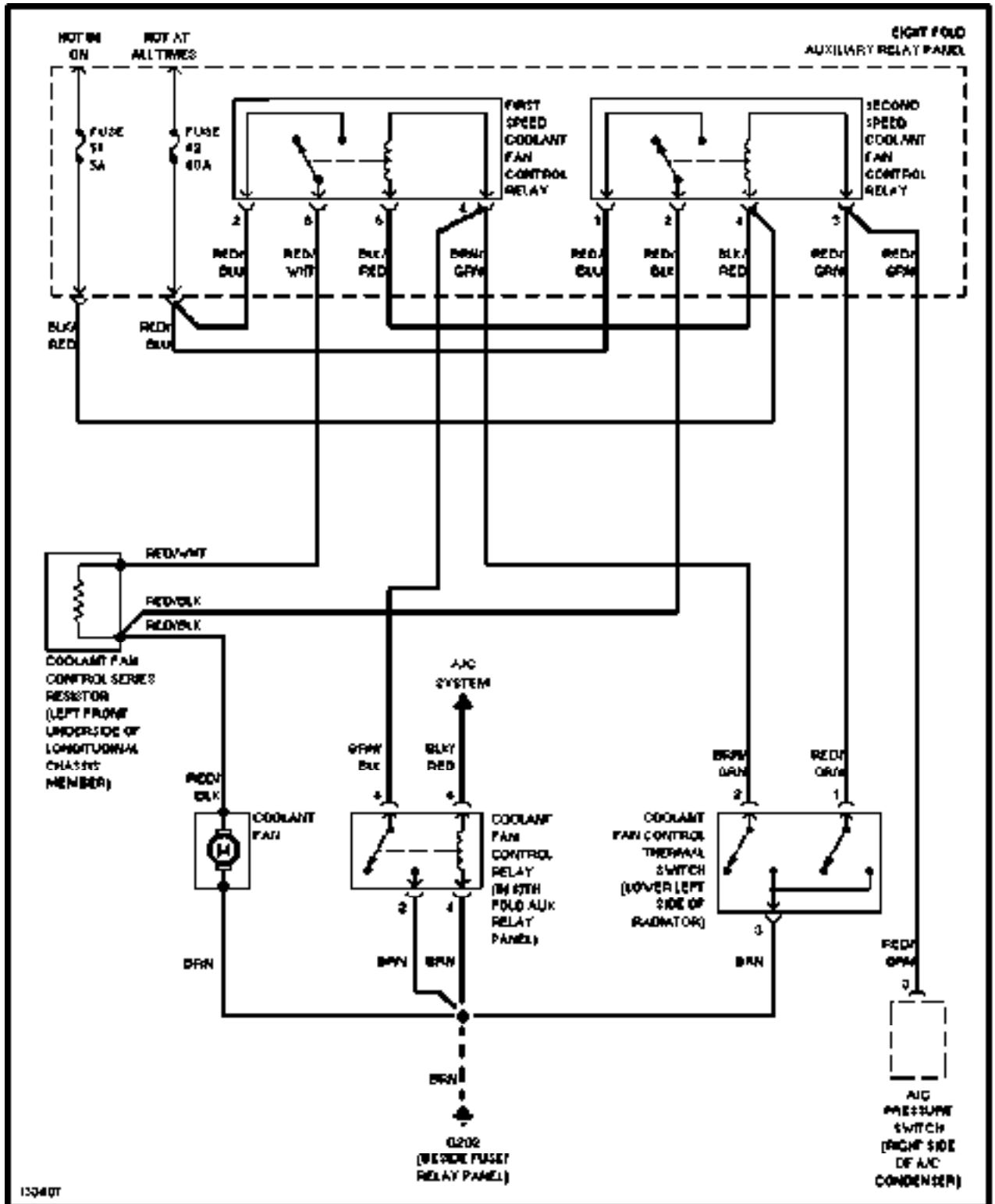
COMPUTER DATA LINES



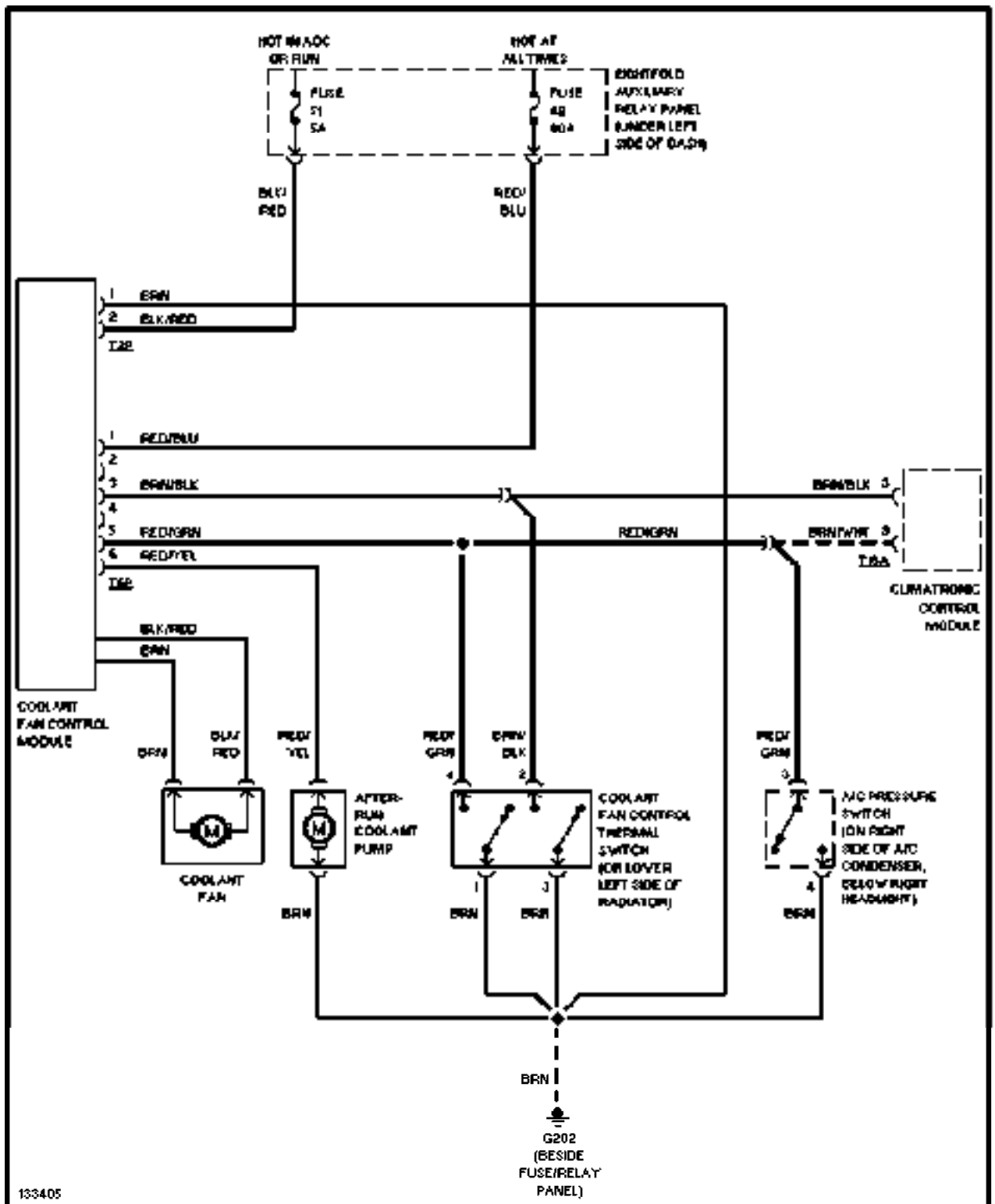
Computer Data Lines

COOLING FAN

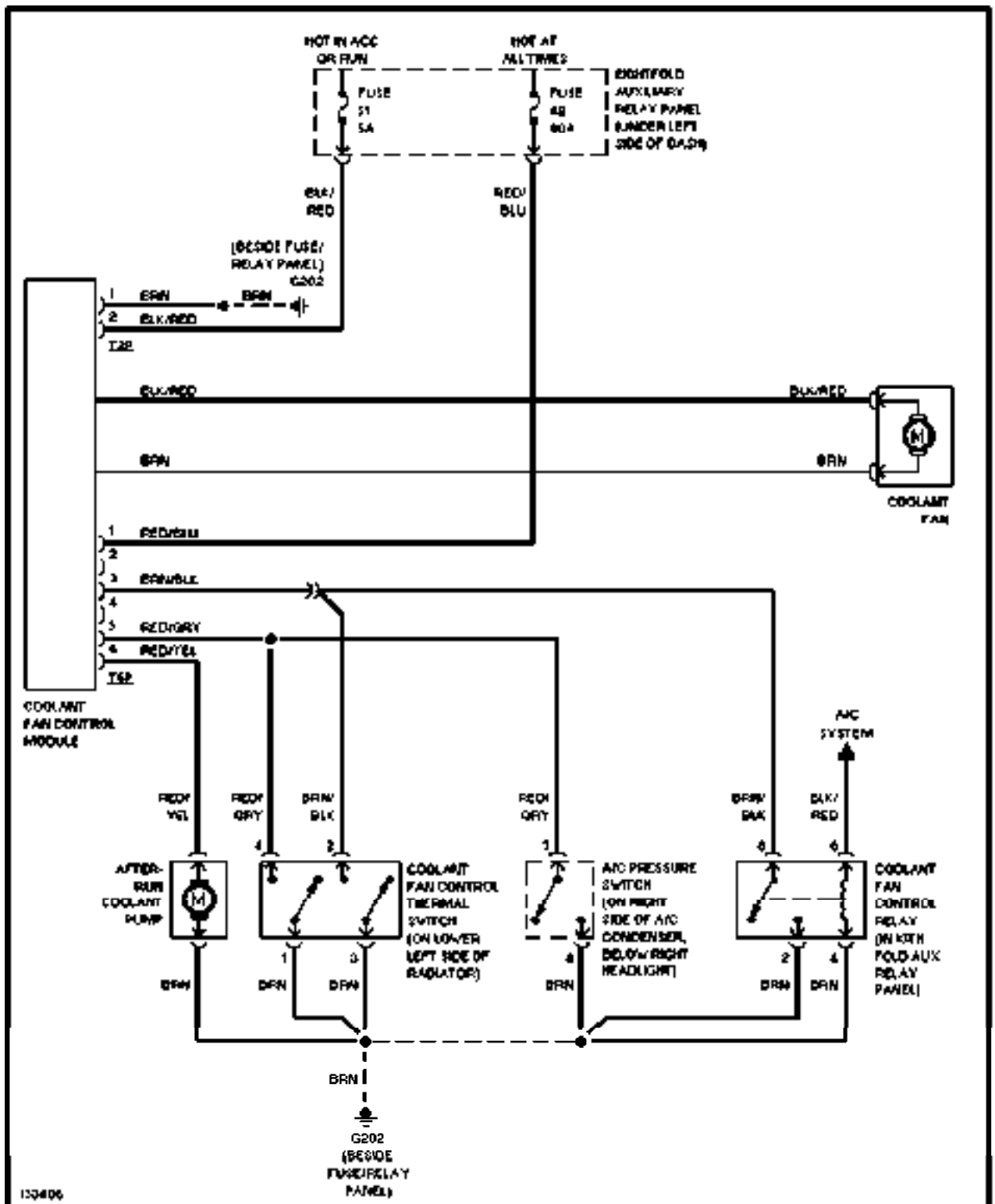
1.8L



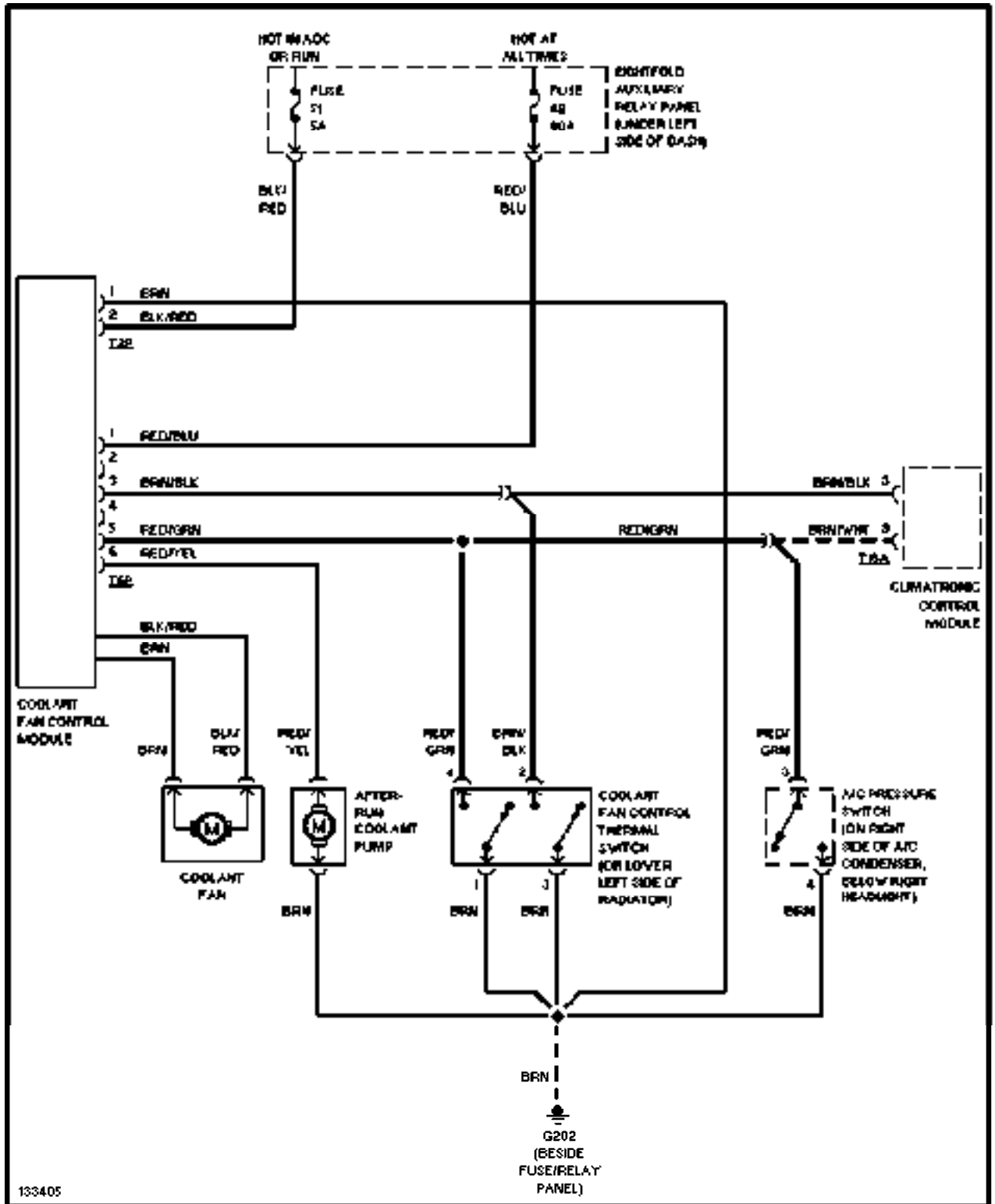
1.8L Turbo, Cooling Fan Circuit, Manual A/C



Cooling Fan Circuit, Auto A/C

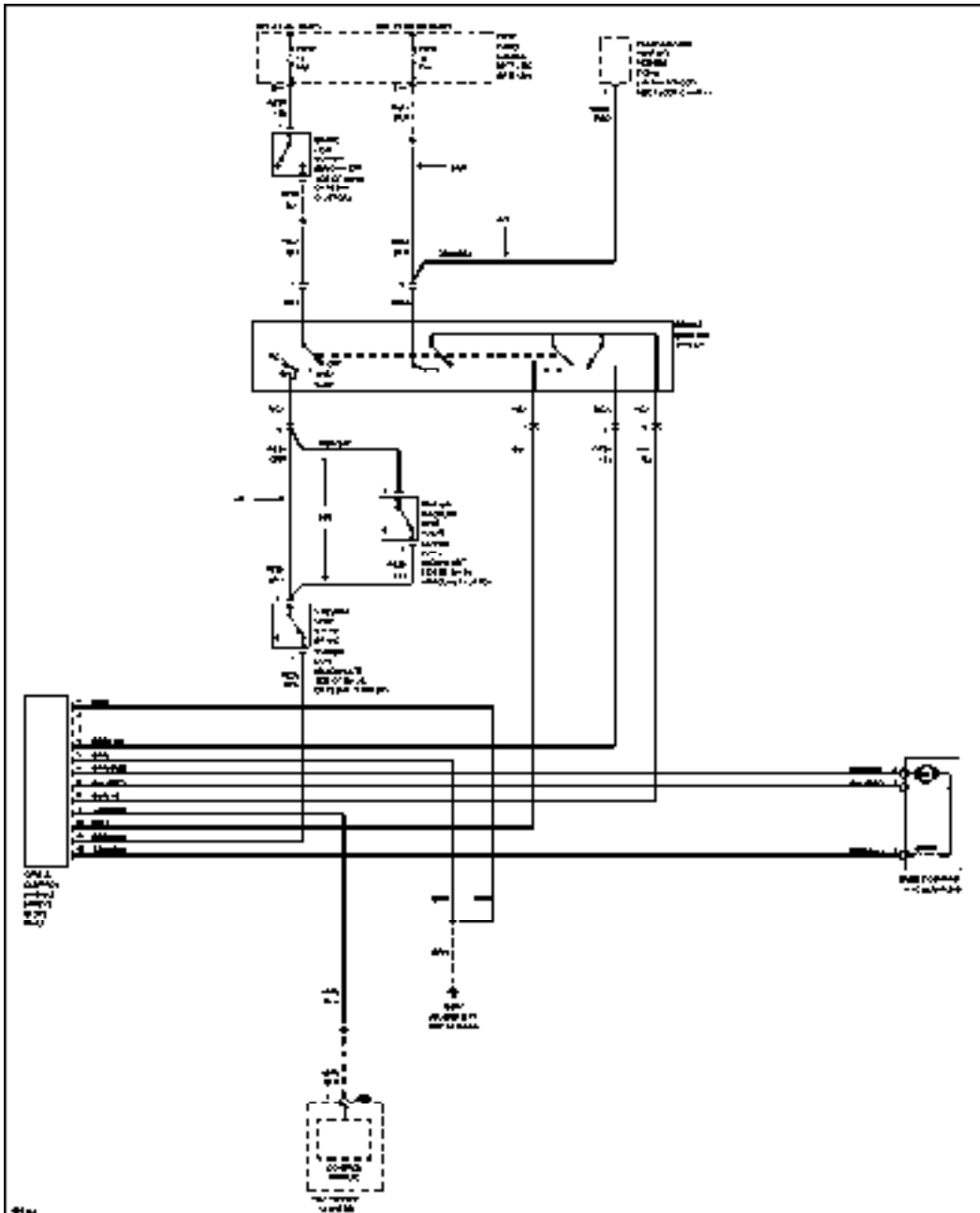


2.8L, Cooling Fan Circuit, Manual A/C



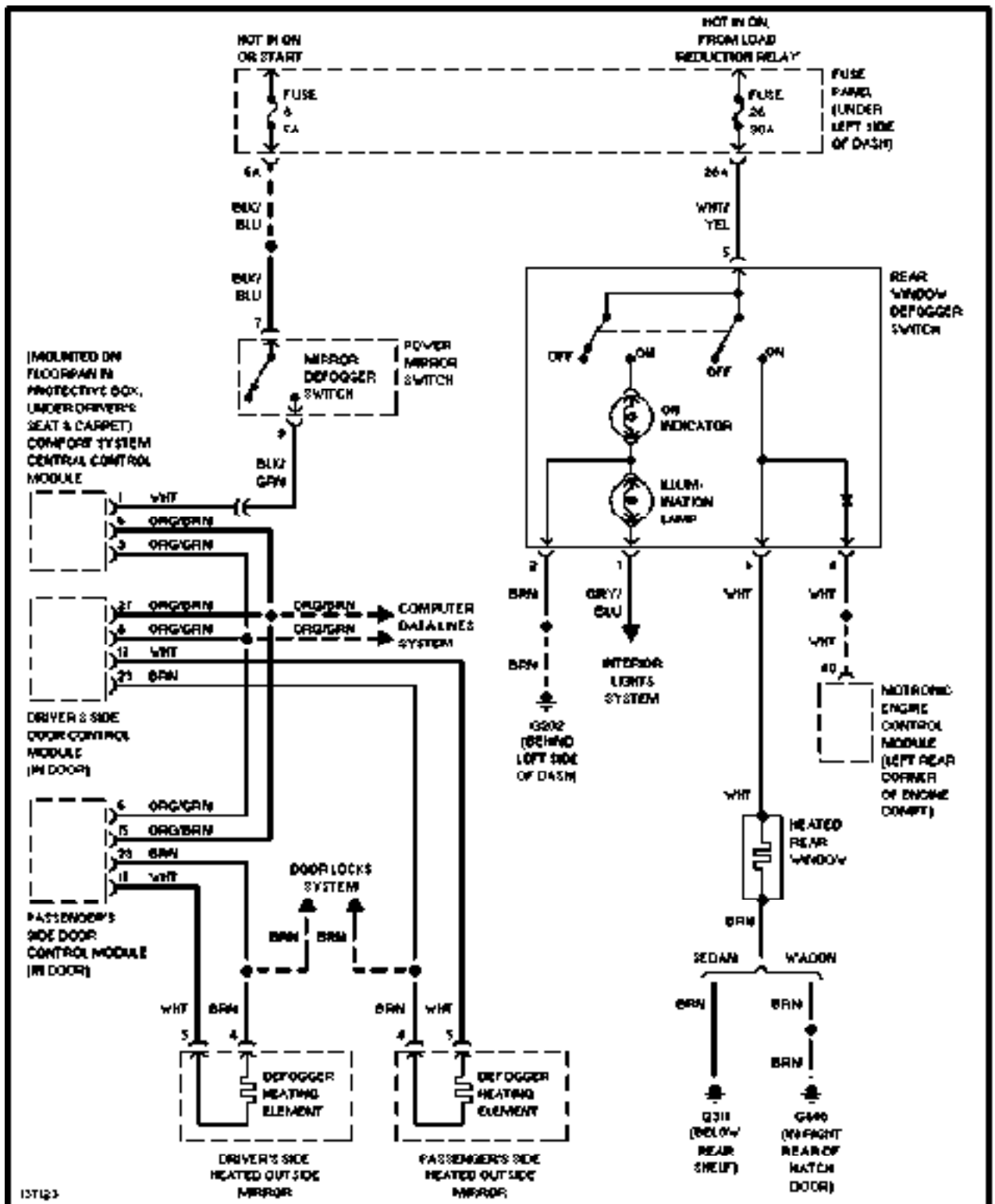
Cooling Fan Circuit, Auto A/C

CRUISE CONTROL



Cruise Control Circuit

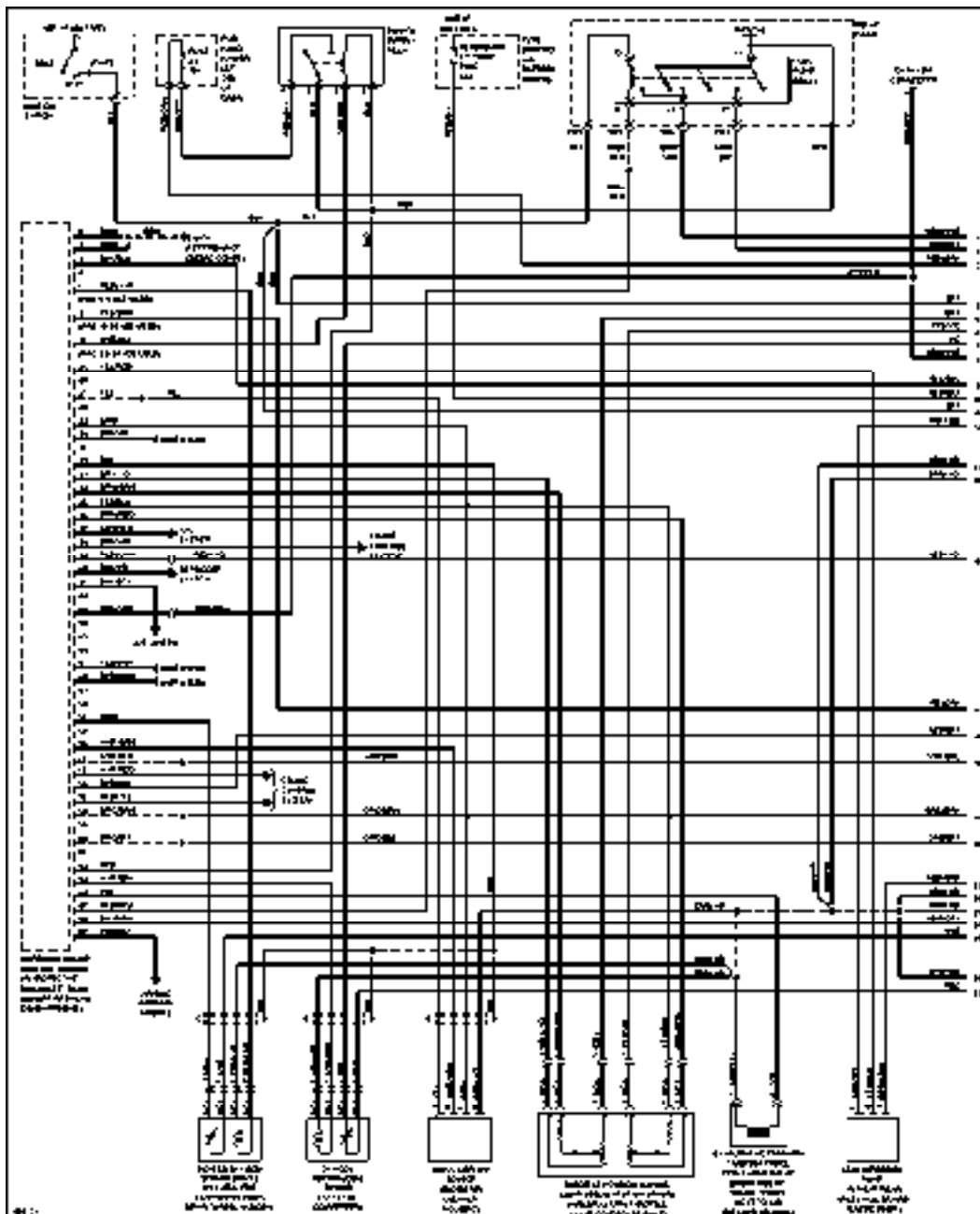
DEFOGGERS



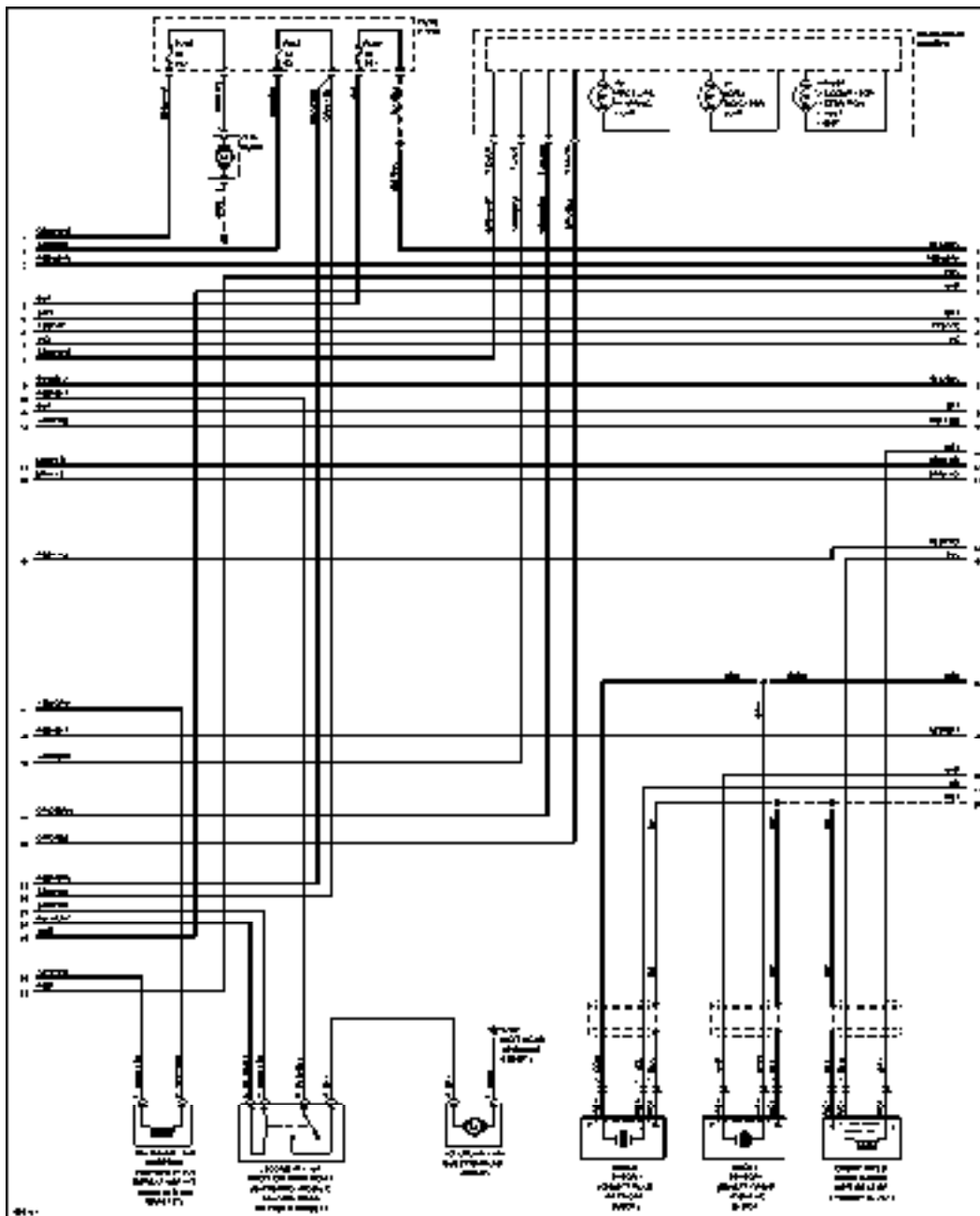
Defogger Circuit

ENGINE PERFORMANCE

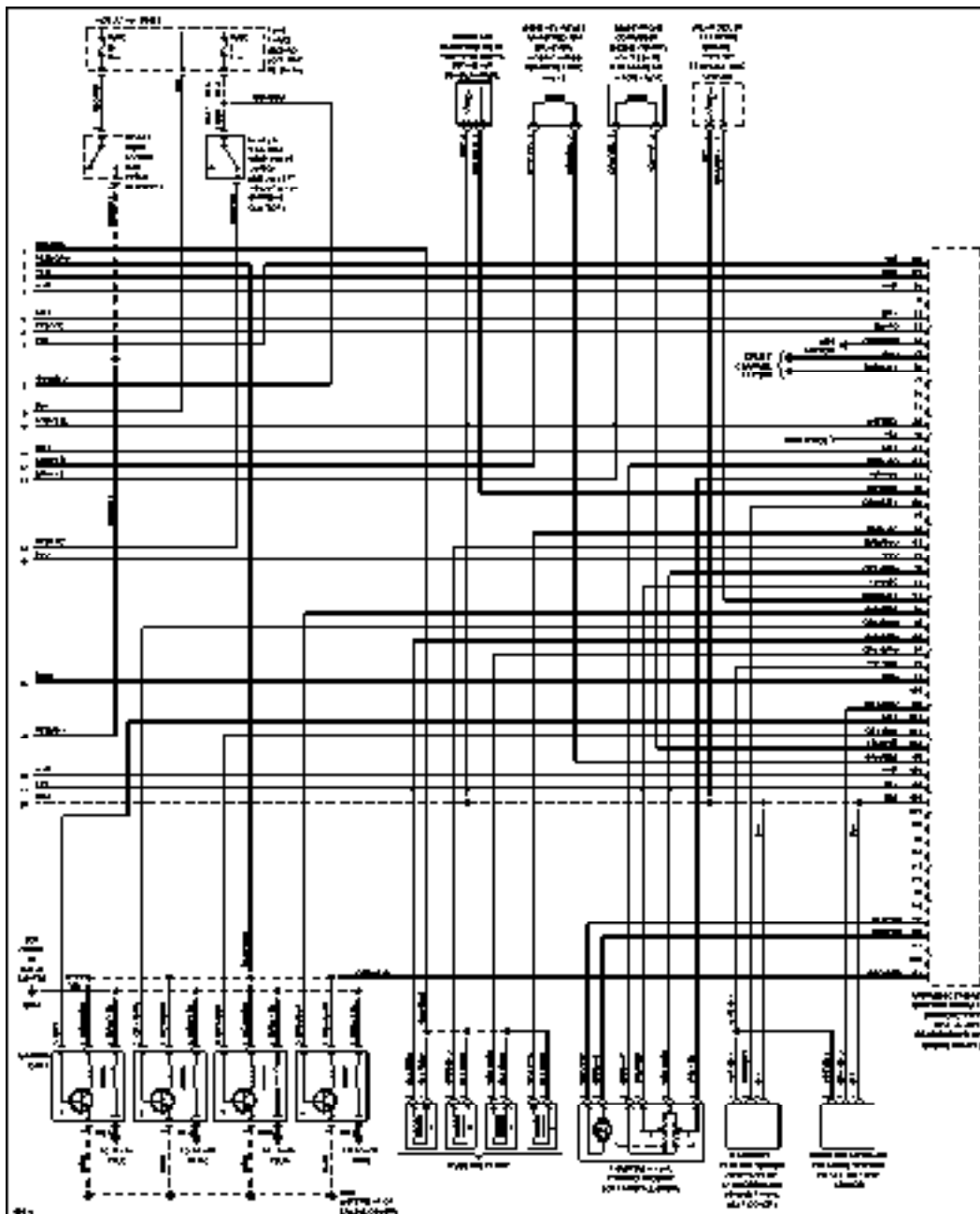
1.8L



1.8L Turbo, Engine Performance Circuits (1 of 3)

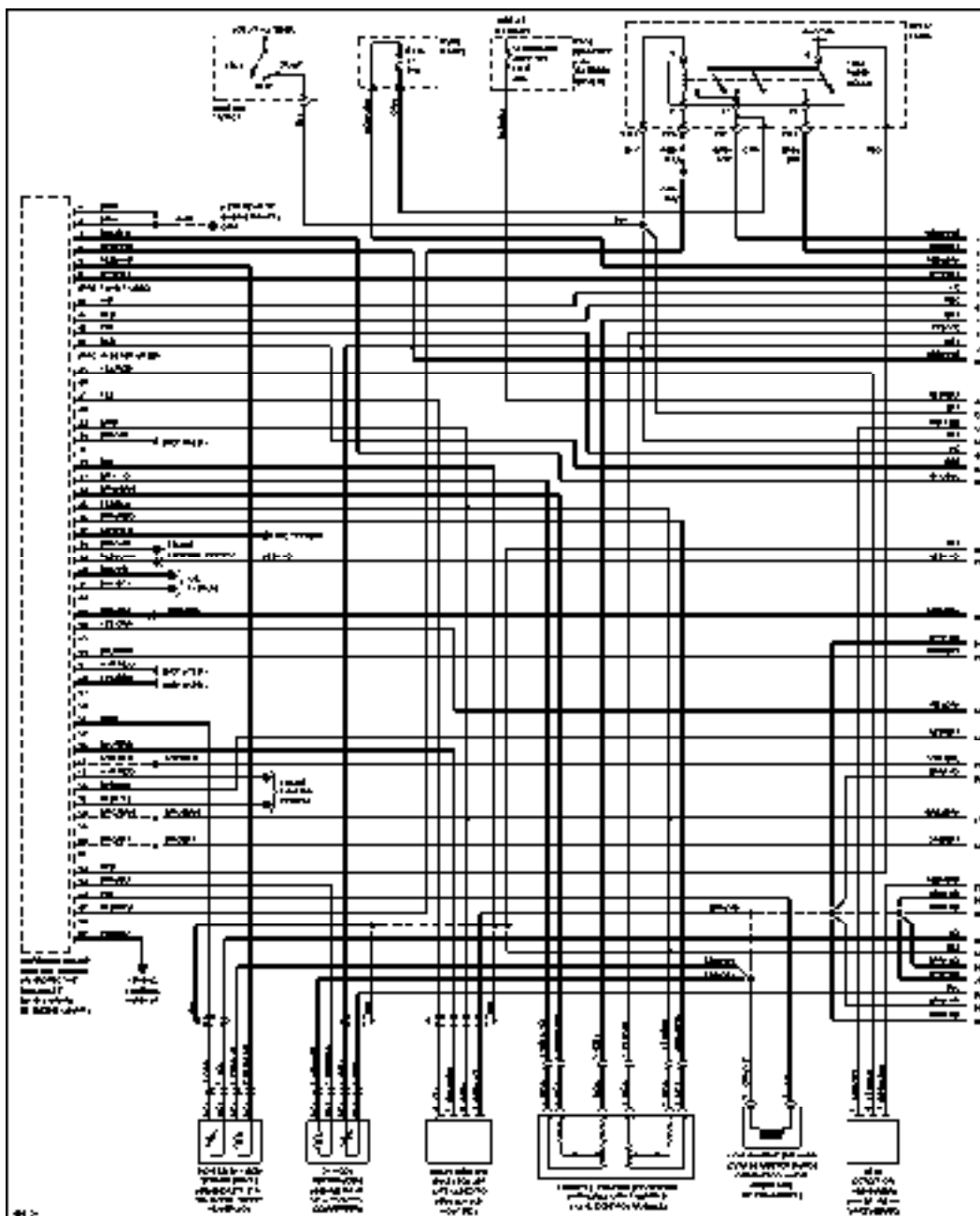


1.8L Turbo, Engine Performance Circuits (2 of 3)

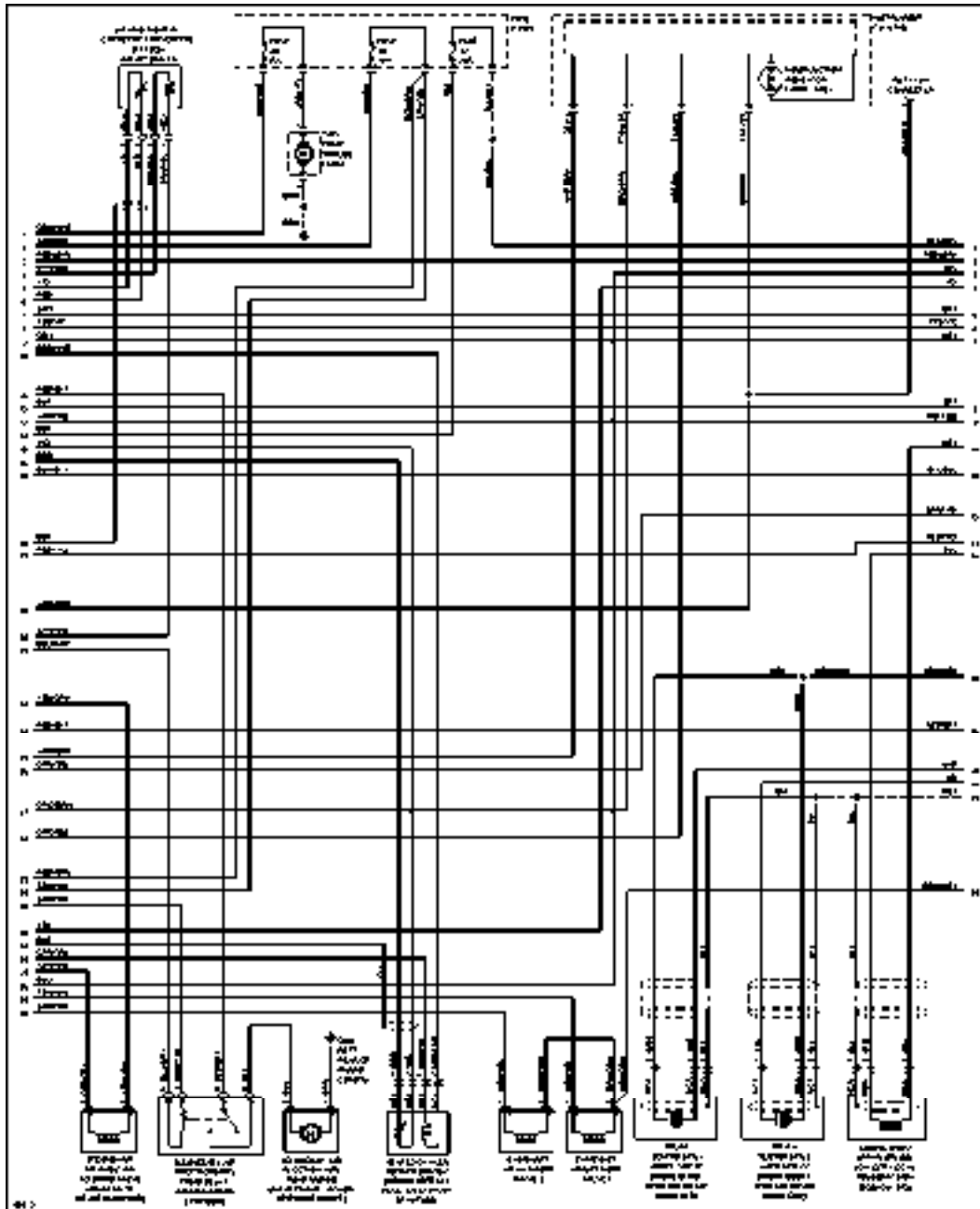


1.8L Turbo, Engine Performance Circuits (3 of 3)

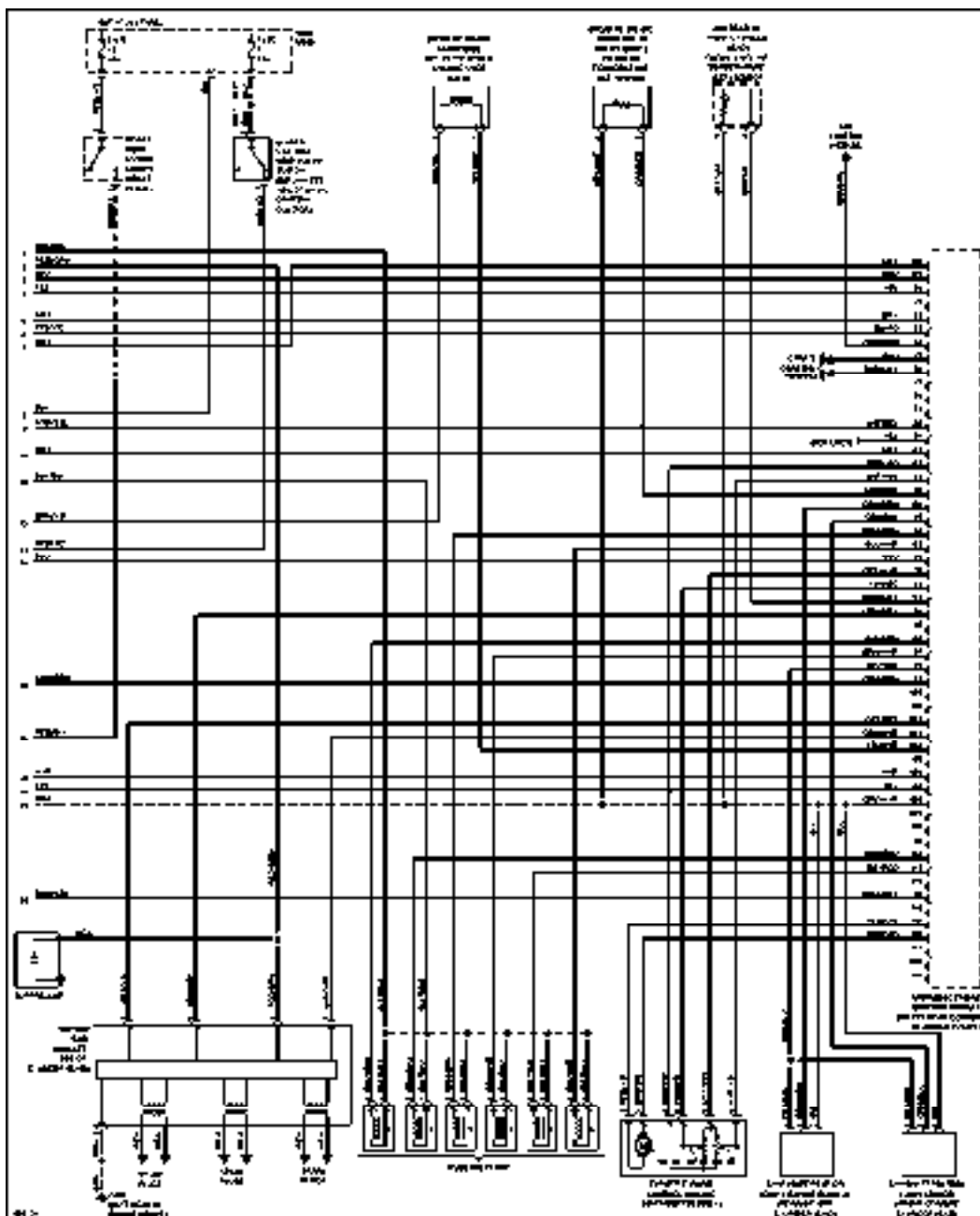
2.8L



2.8L, Engine Performance Circuits (1 of 3)

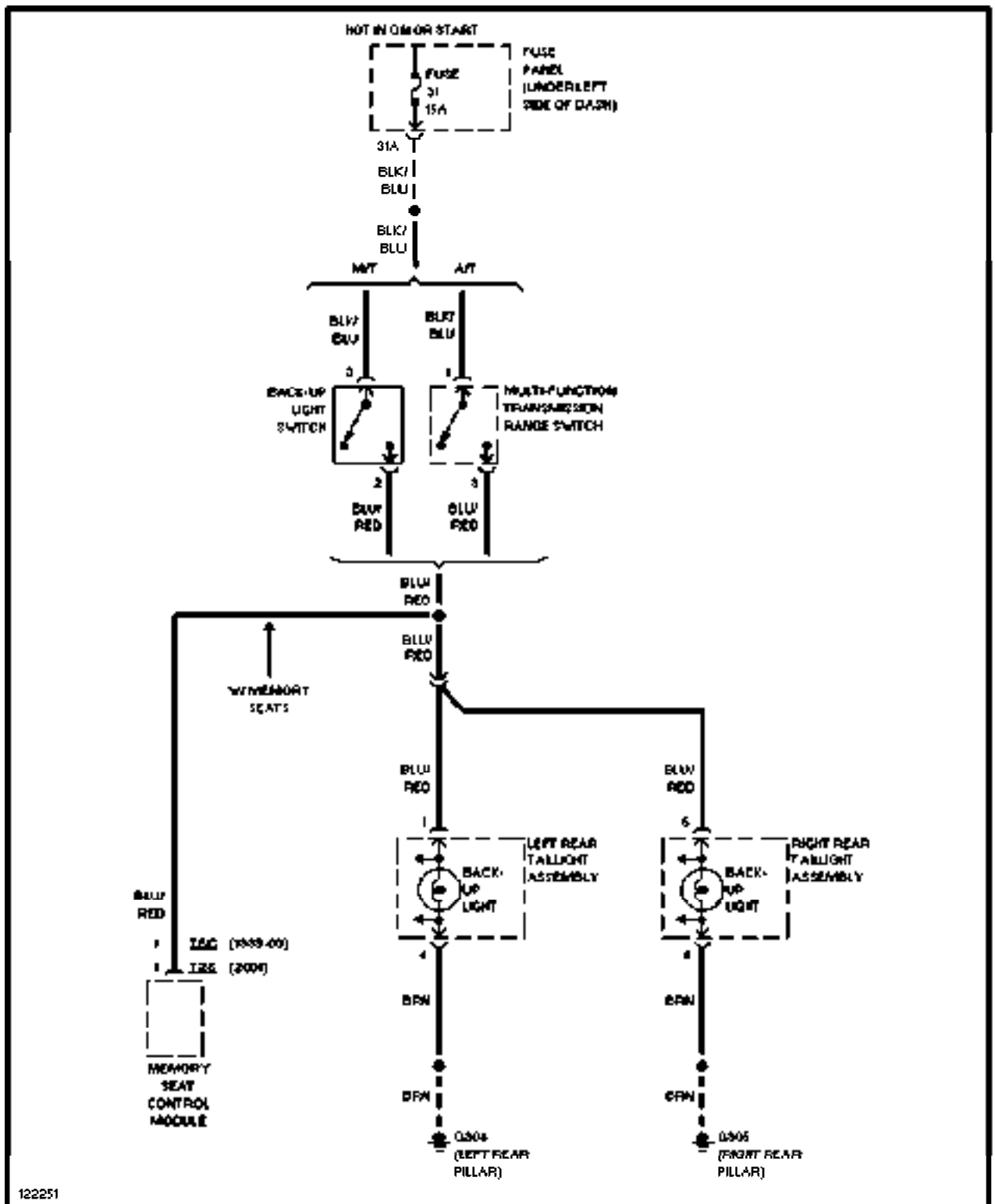


2.8L, Engine Performance Circuits (2 of 3)

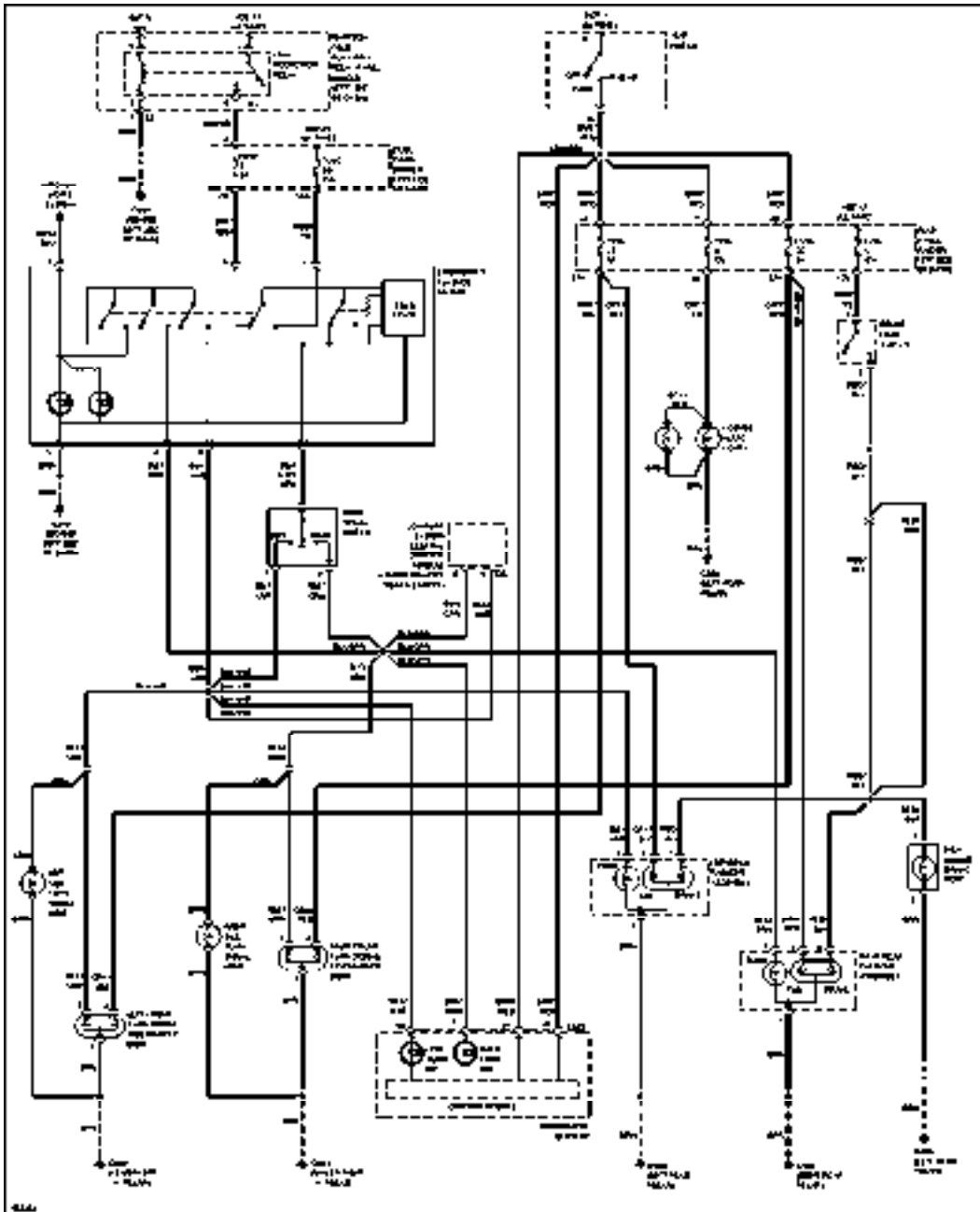


2.8L, Engine Performance Circuits (3 of 3)

EXTERIOR LIGHTS

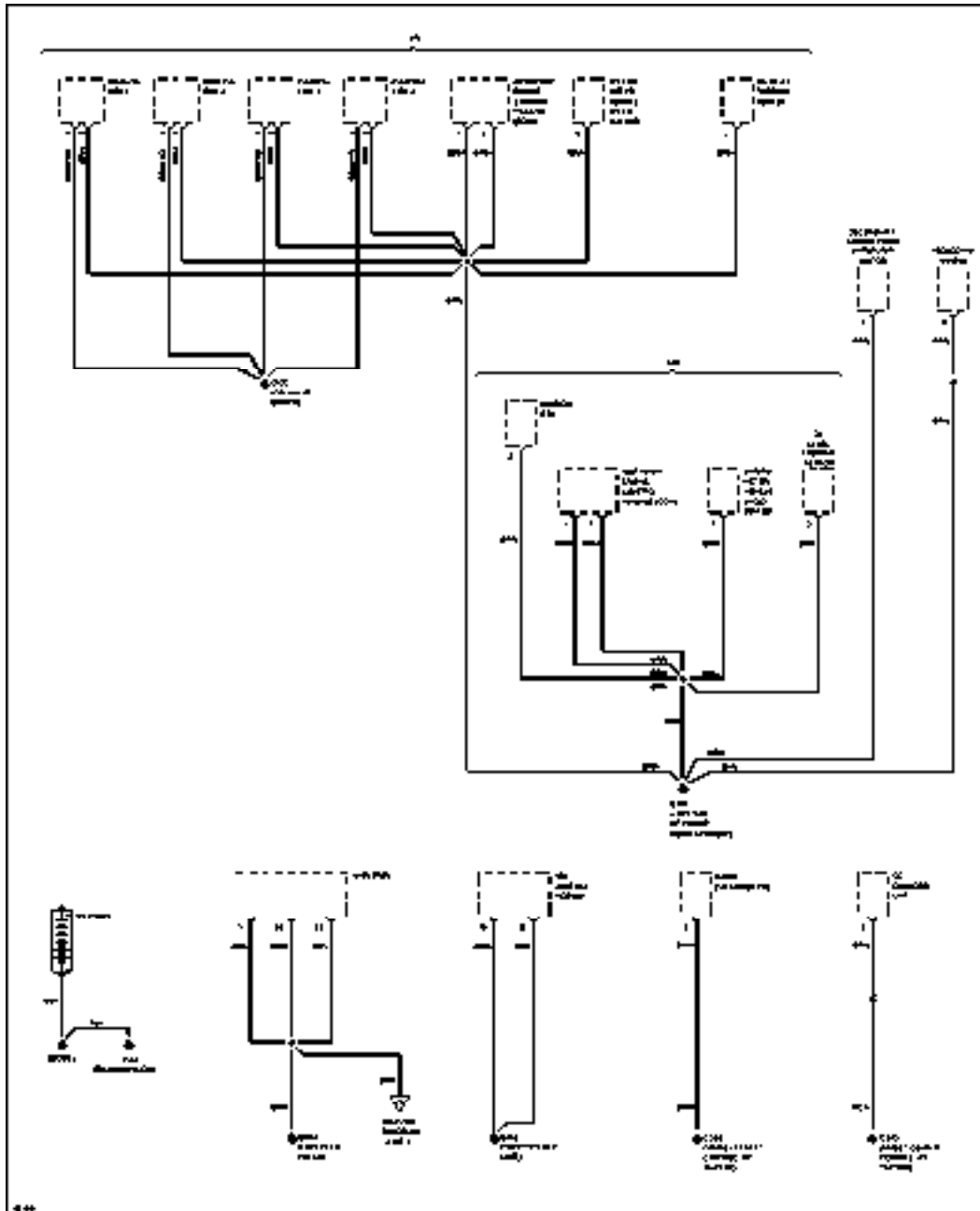


Back-up Lamps Circuit

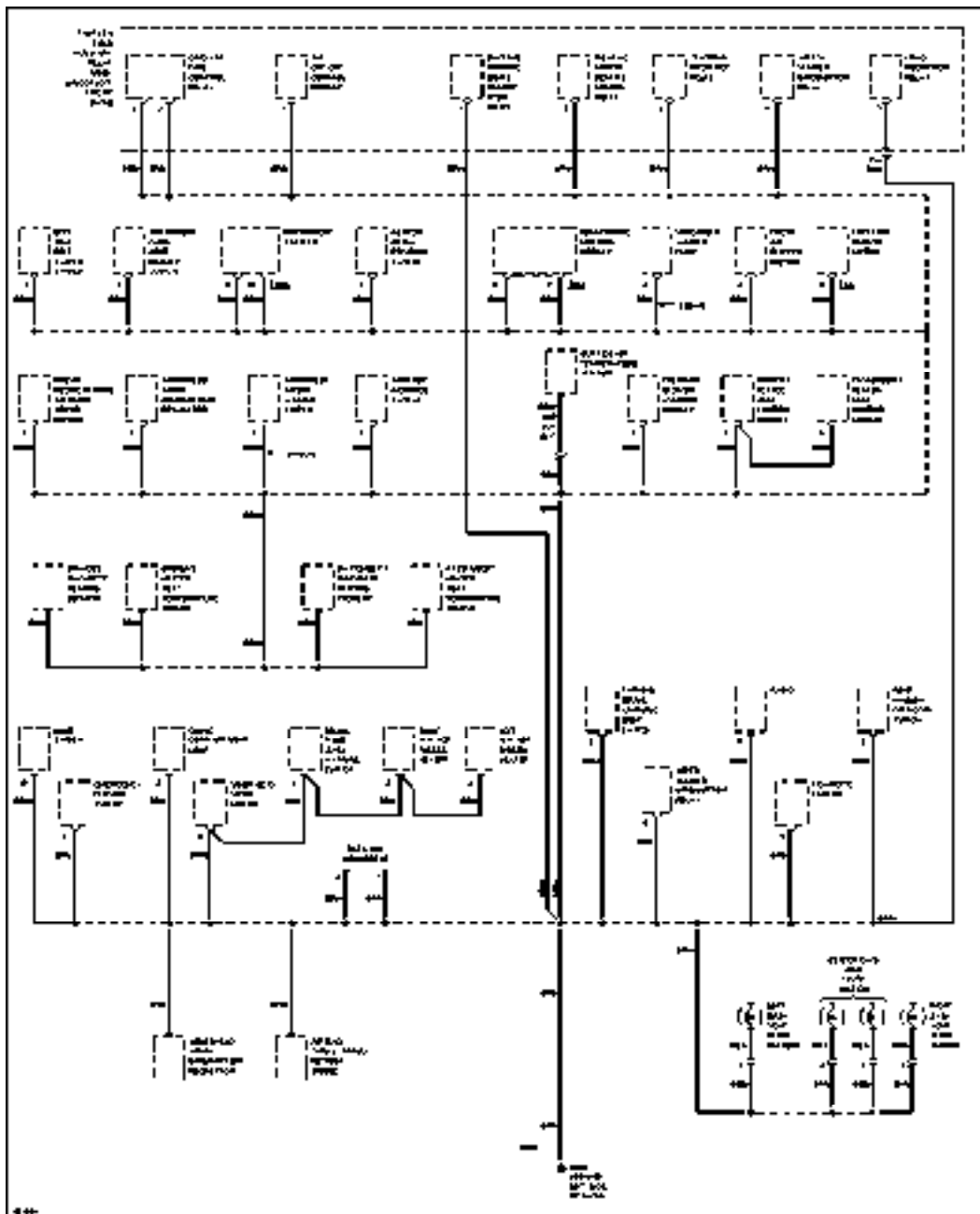


Exterior Lamps Circuit

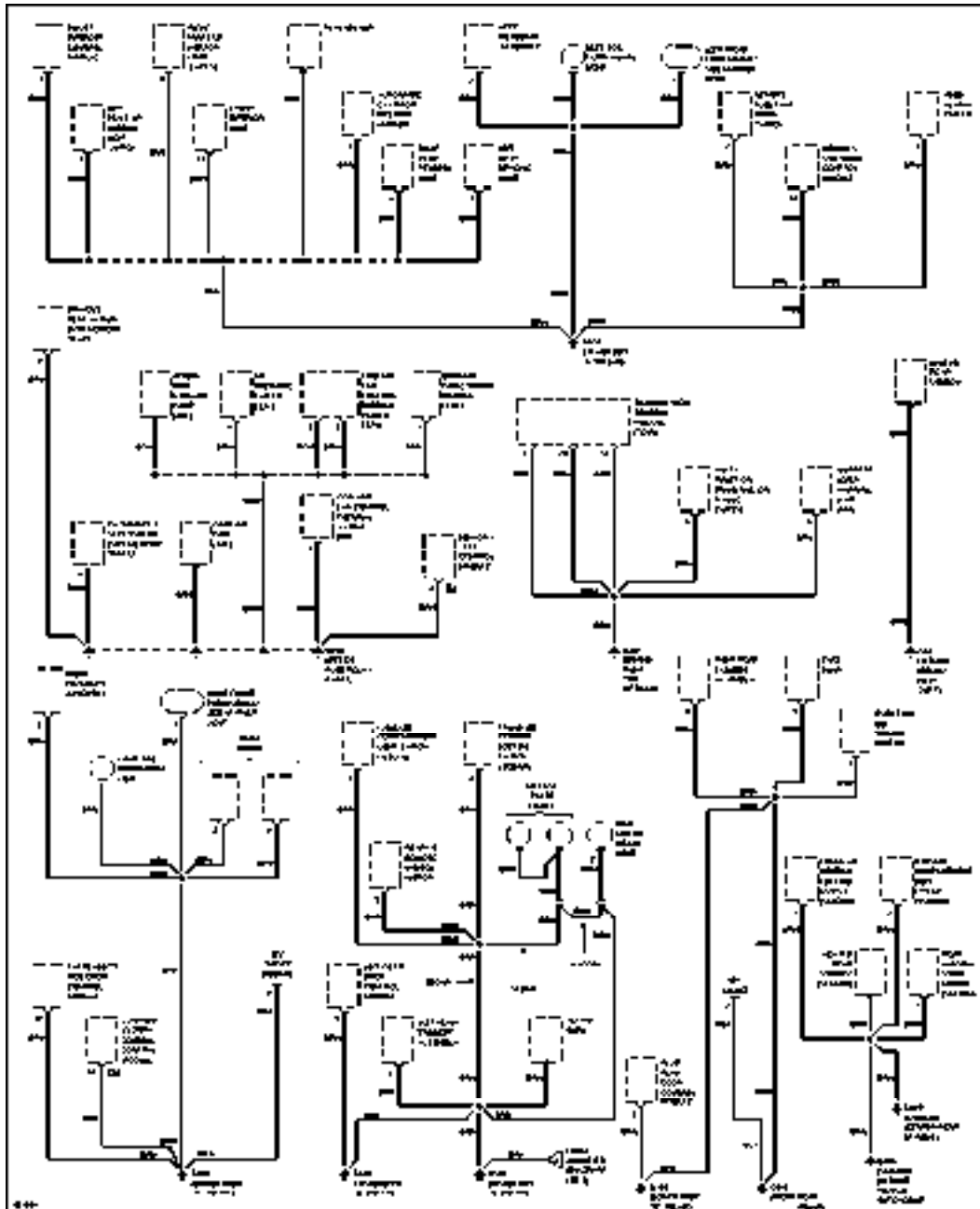
GROUND DISTRIBUTION



Ground Distribution Circuit (1 of 3)

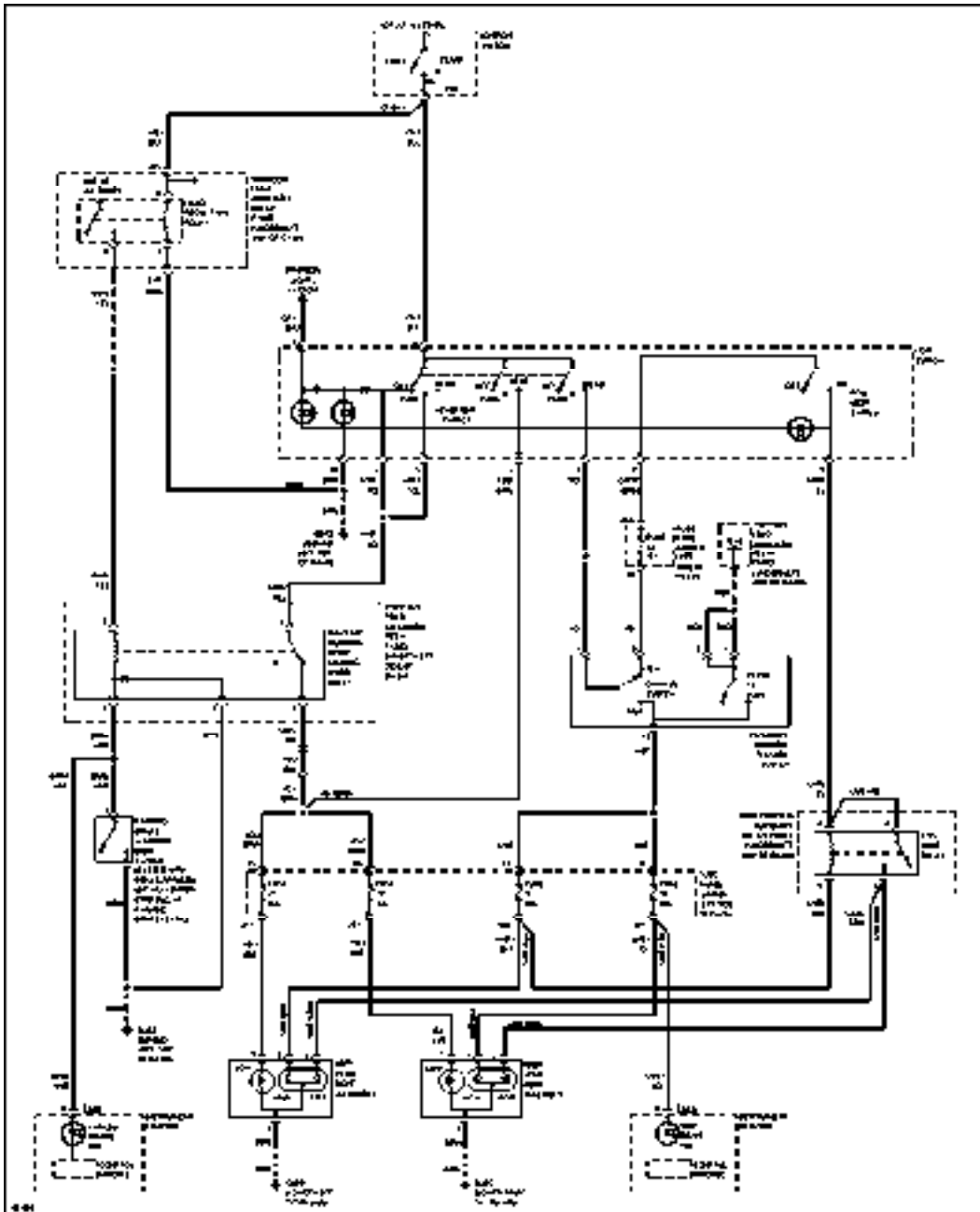


Ground Distribution Circuit (2 of 3)



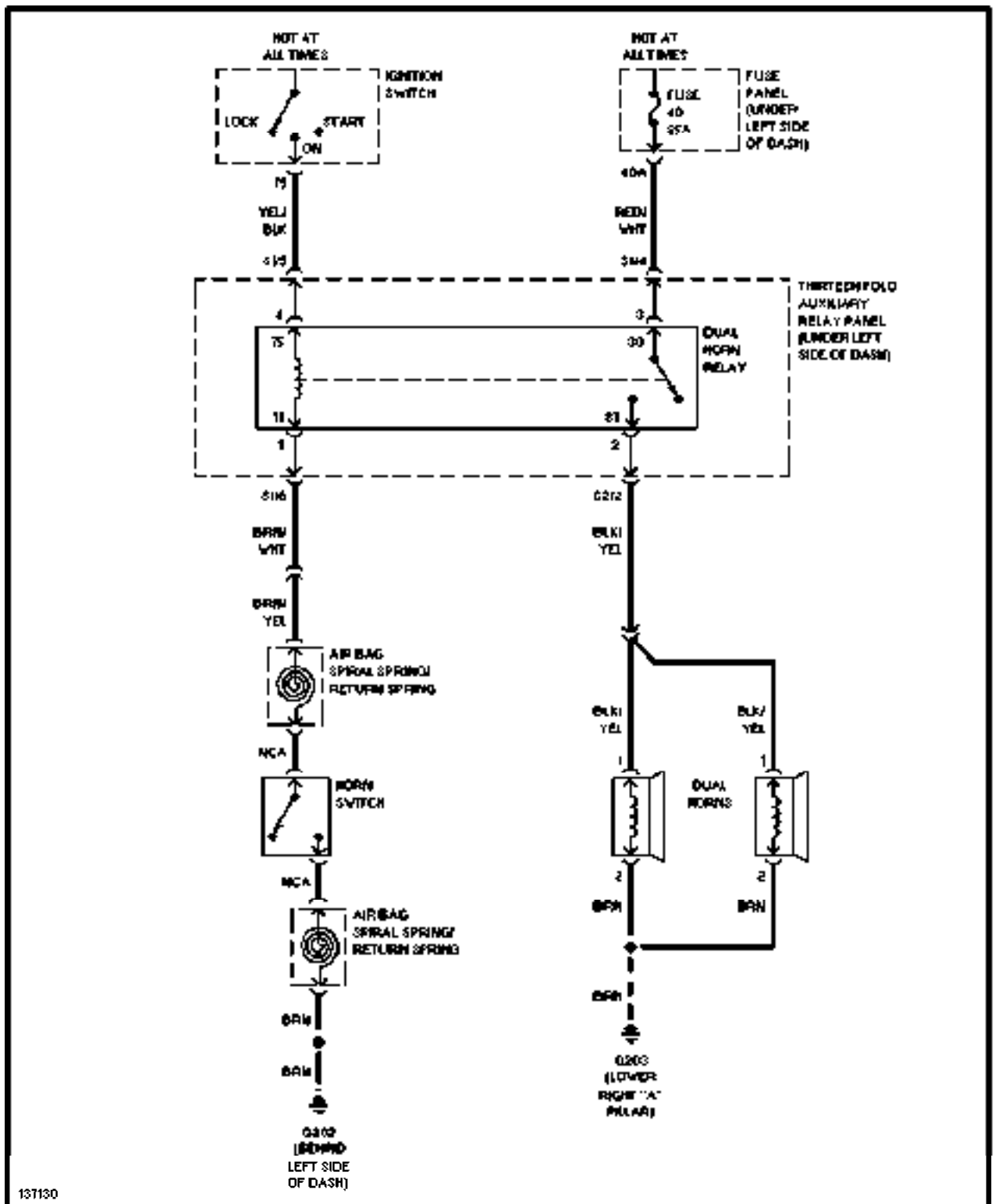
Ground Distribution Circuit (3 of 3)

HEADLIGHTS



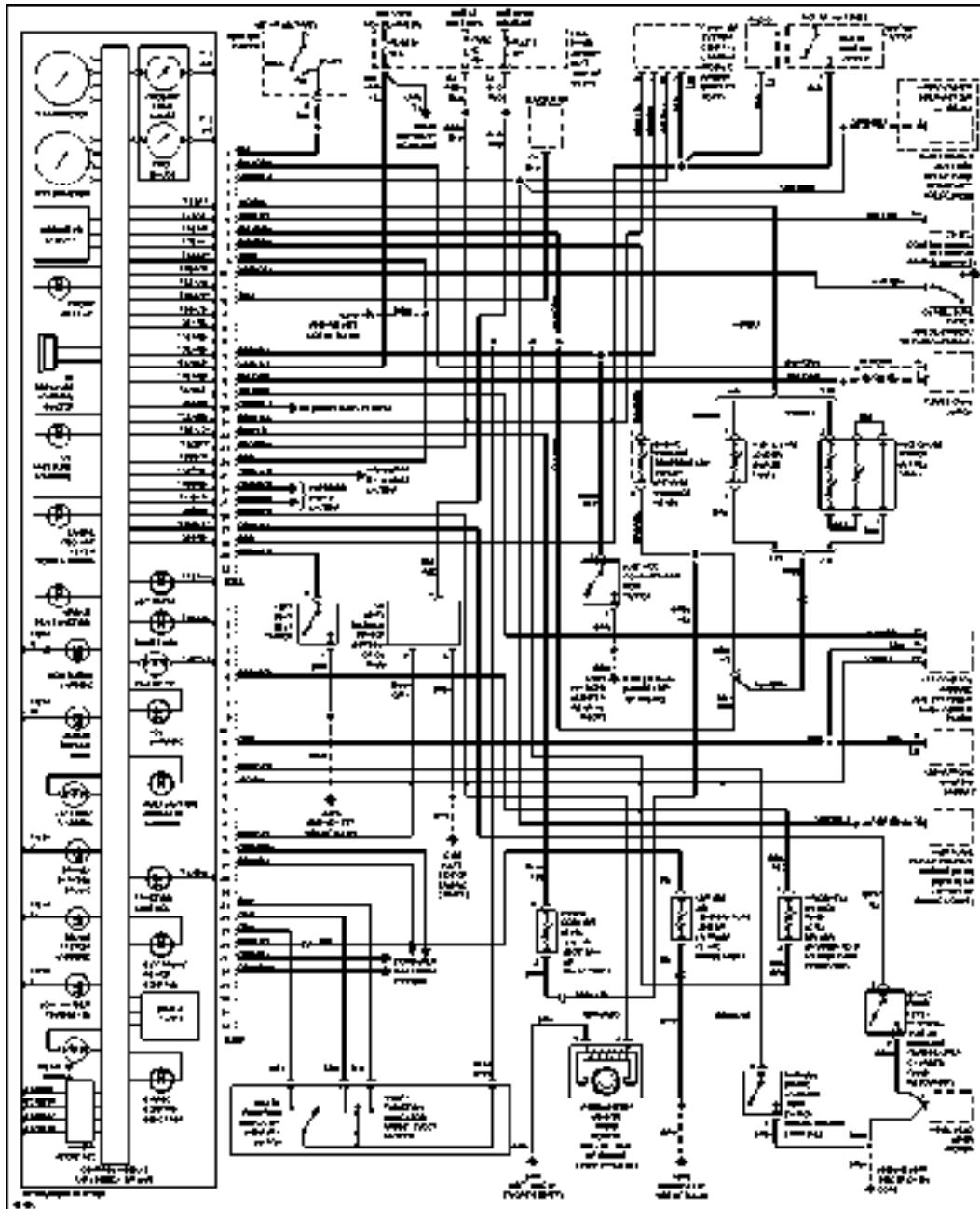
Headlight Circuit

HORN



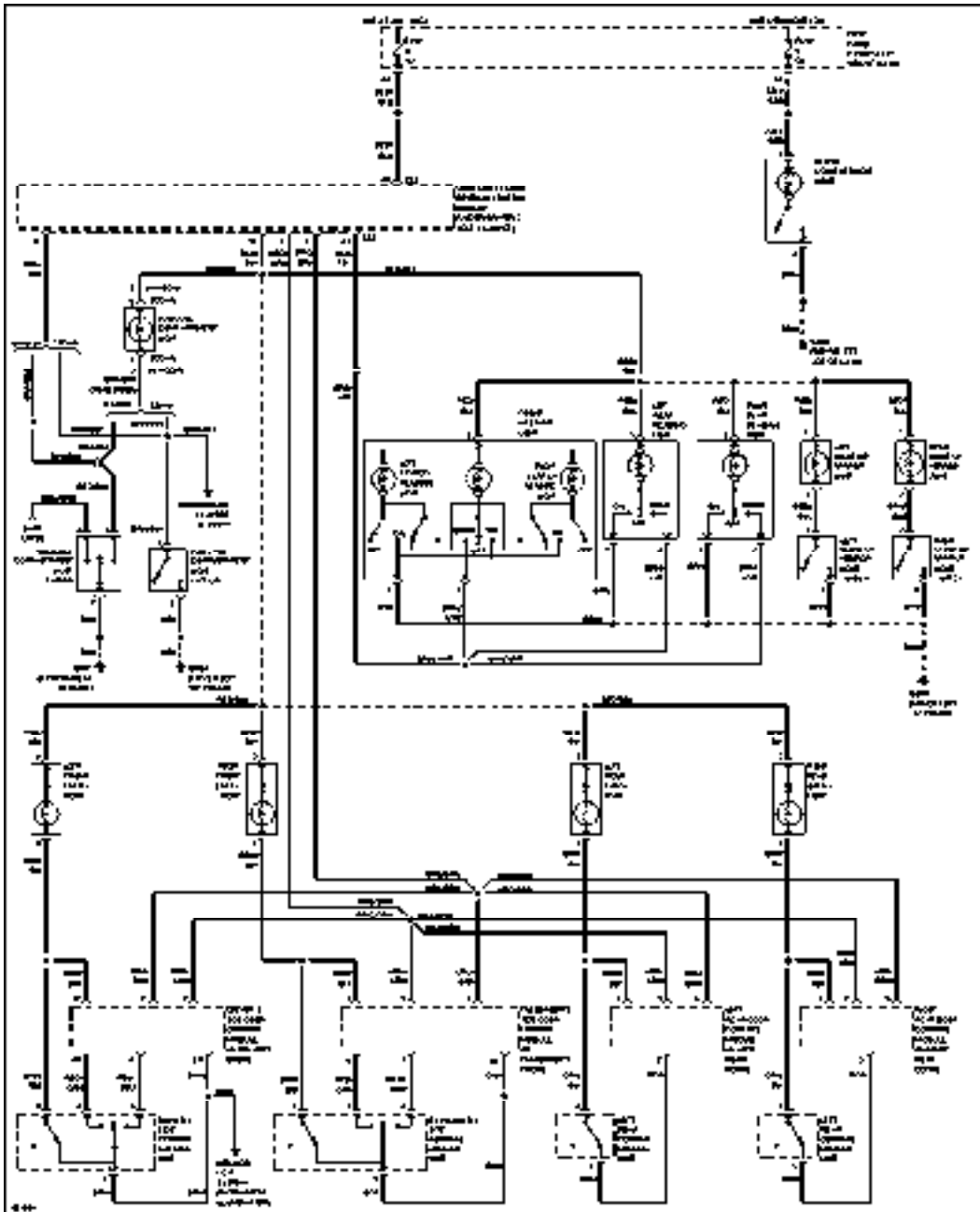
Horn Circuit

INSTRUMENT CLUSTER

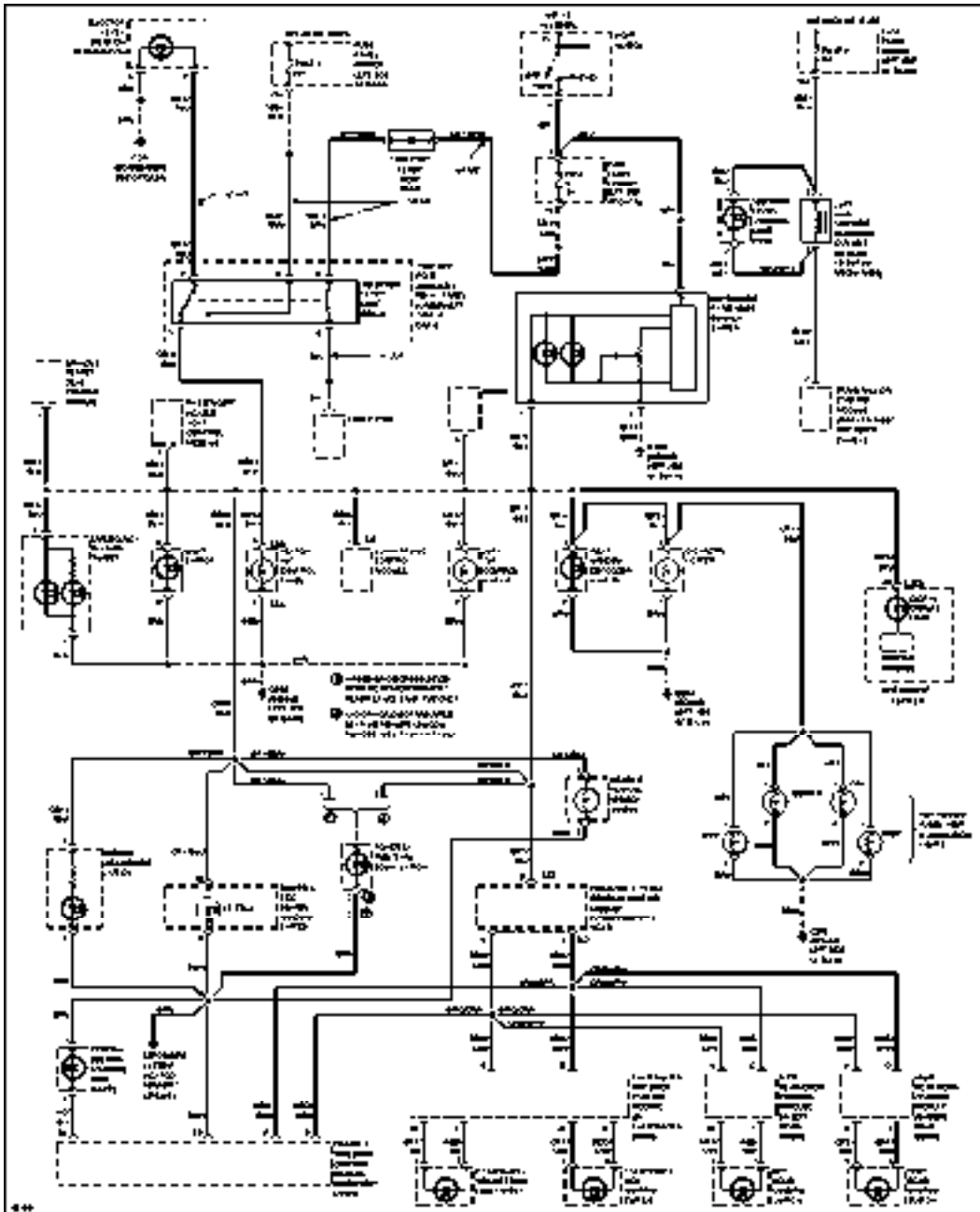


Instrument Cluster Circuit

INTERIOR LIGHTS

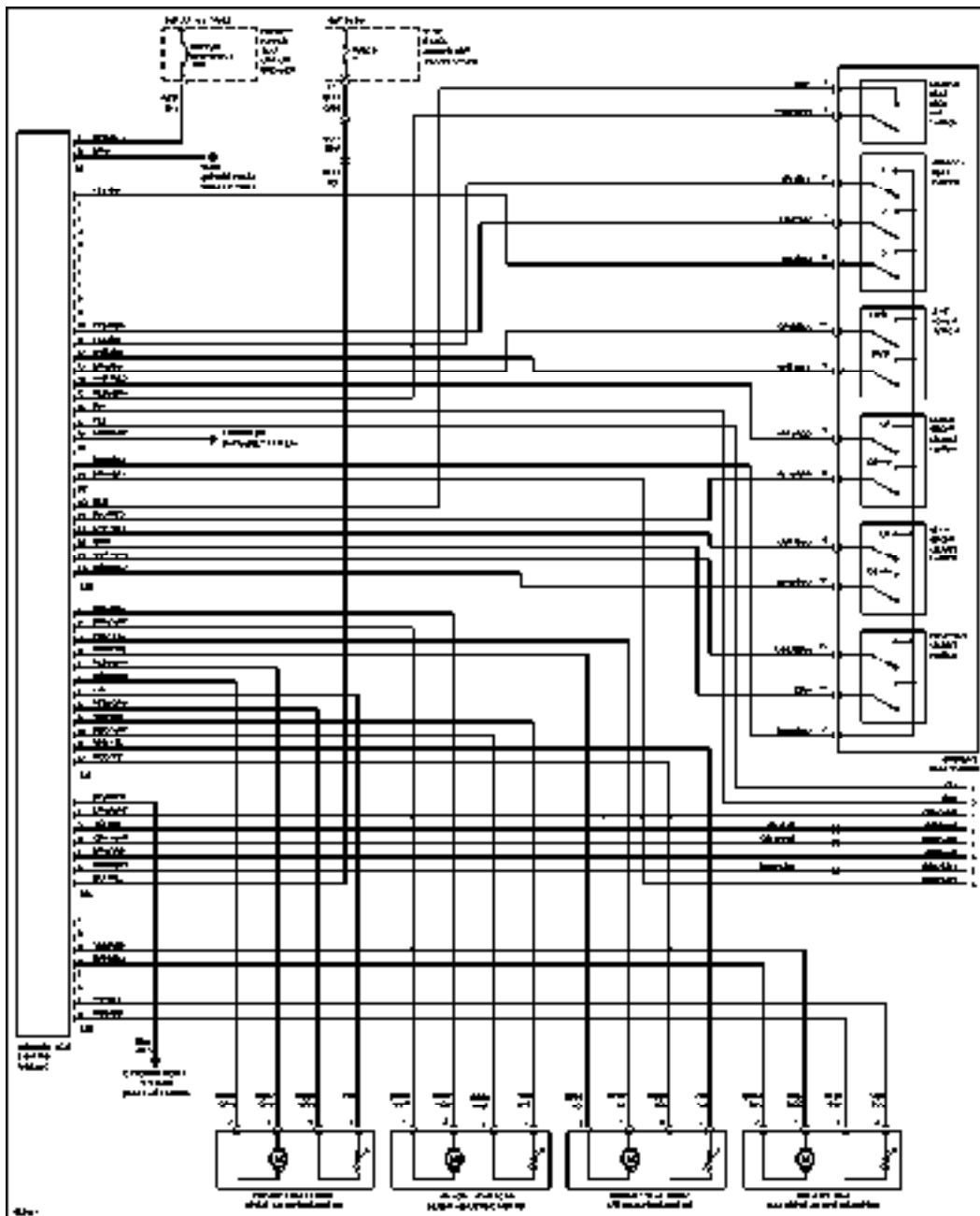


Courtesy Lamps Circuit

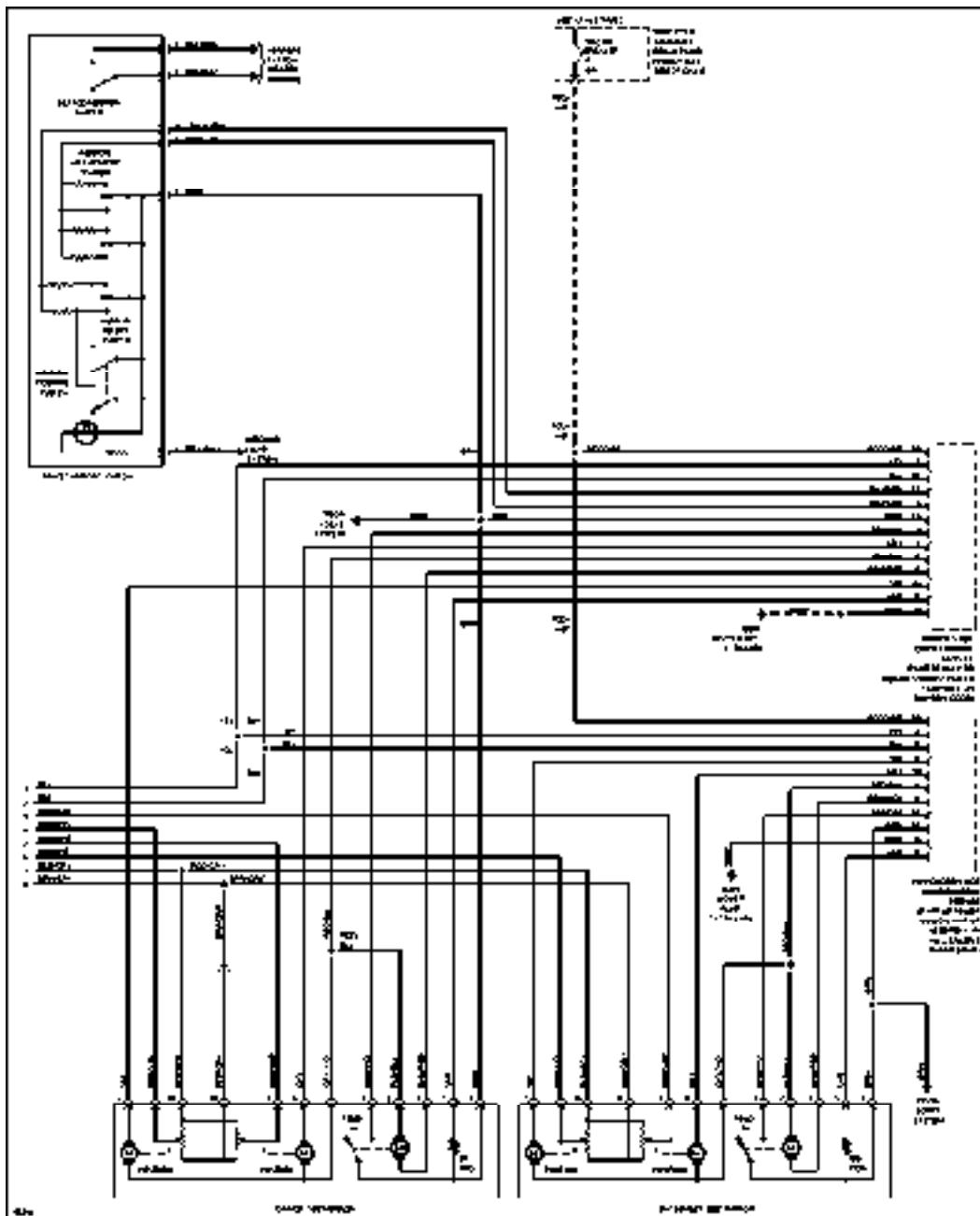


Instrument Illumination Circuit

MEMORY SYSTEMS

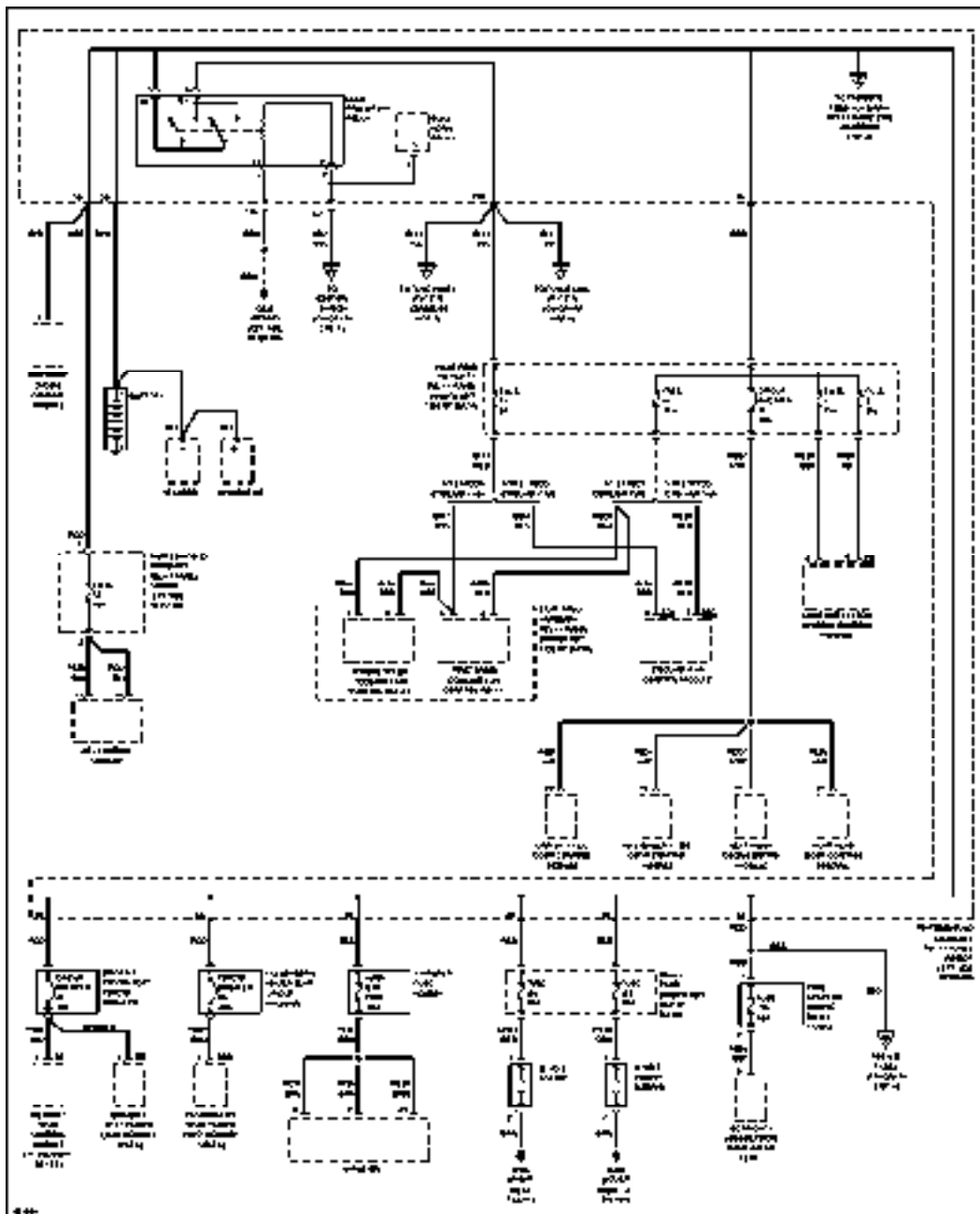


Memory System Circuits (1 of 2)

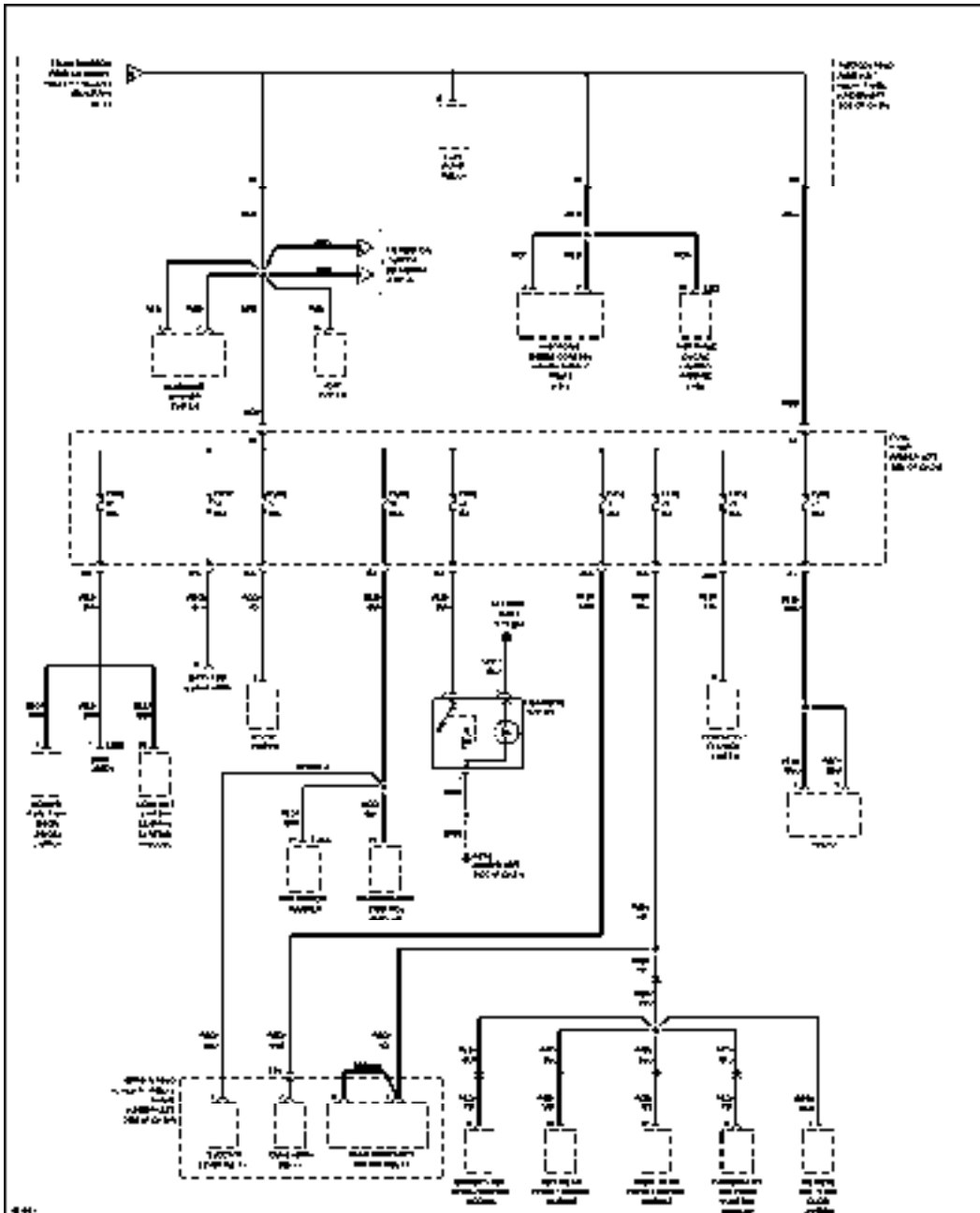


Memory System Circuits (2 of 2)

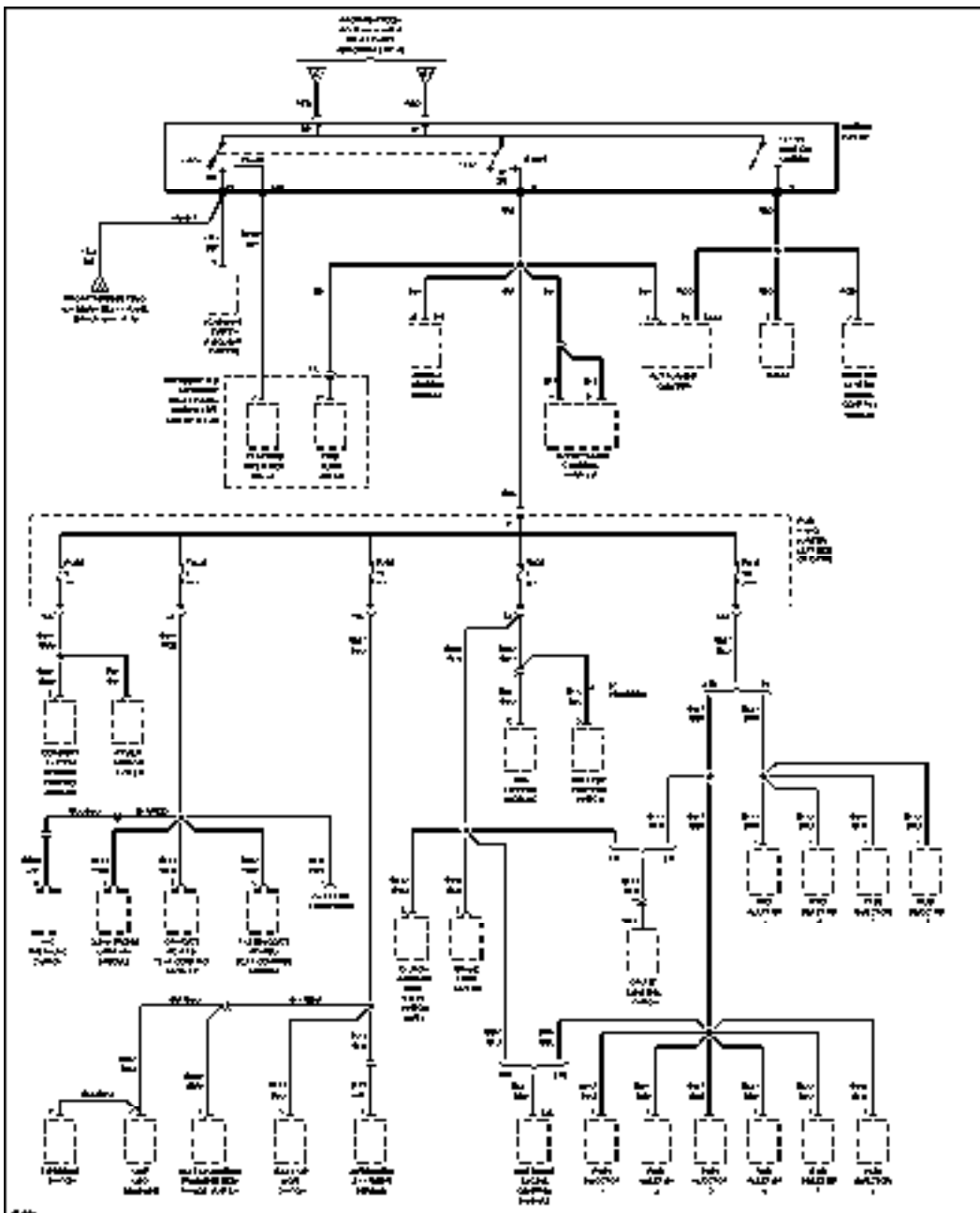
POWER DISTRIBUTION



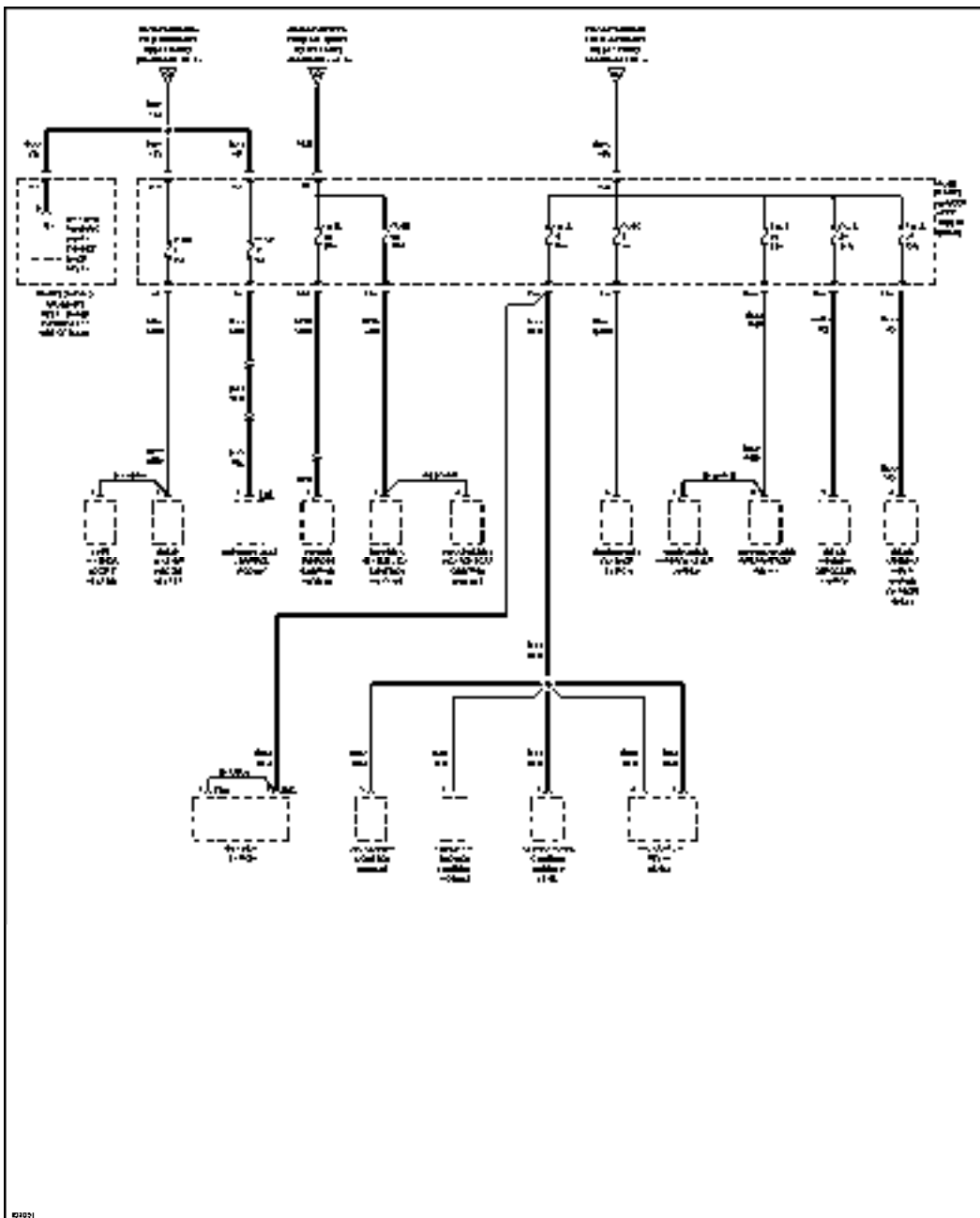
Power Distribution Circuit (1 of 4)



Power Distribution Circuit (2 of 4)

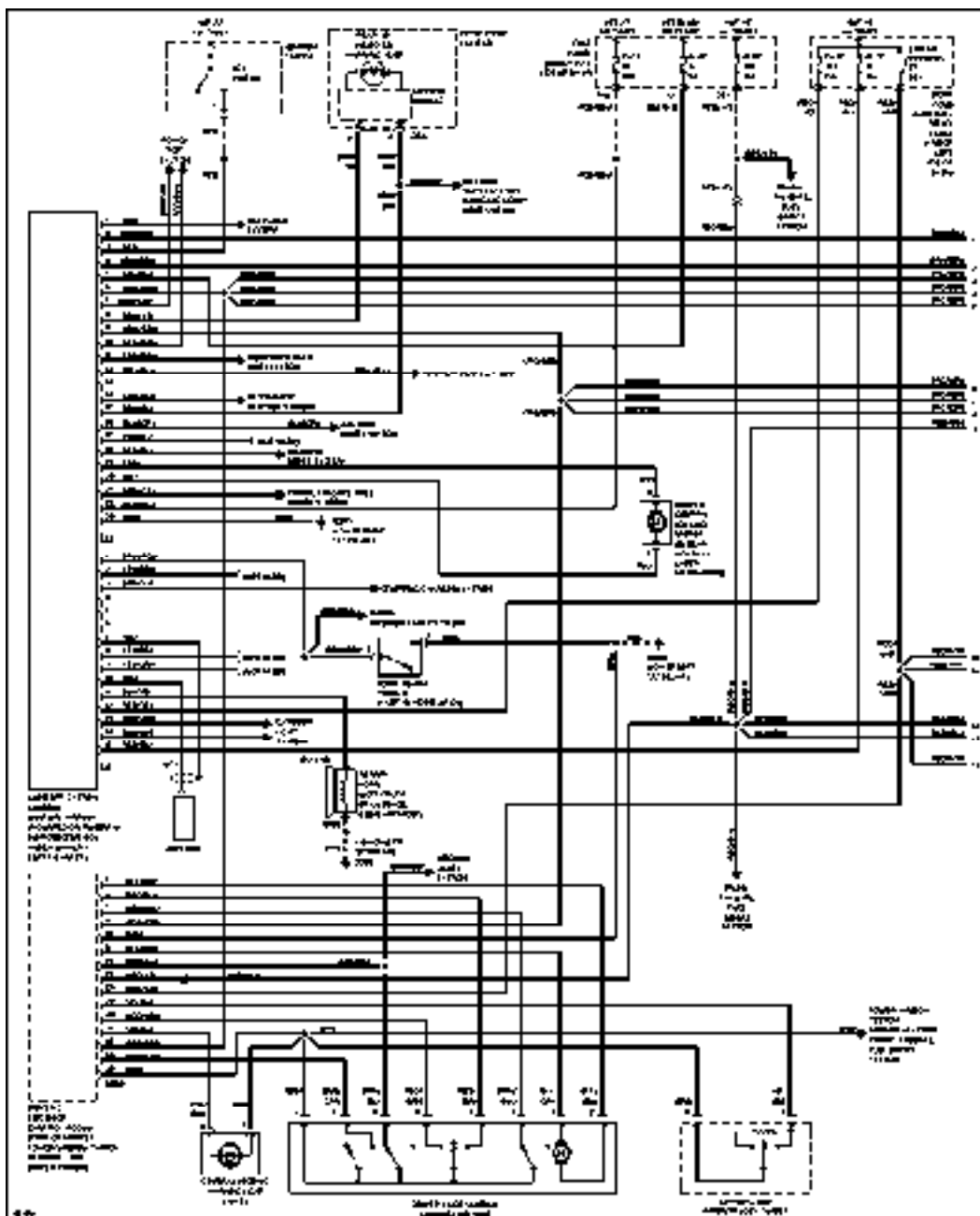


Power Distribution Circuit (3 of 4)

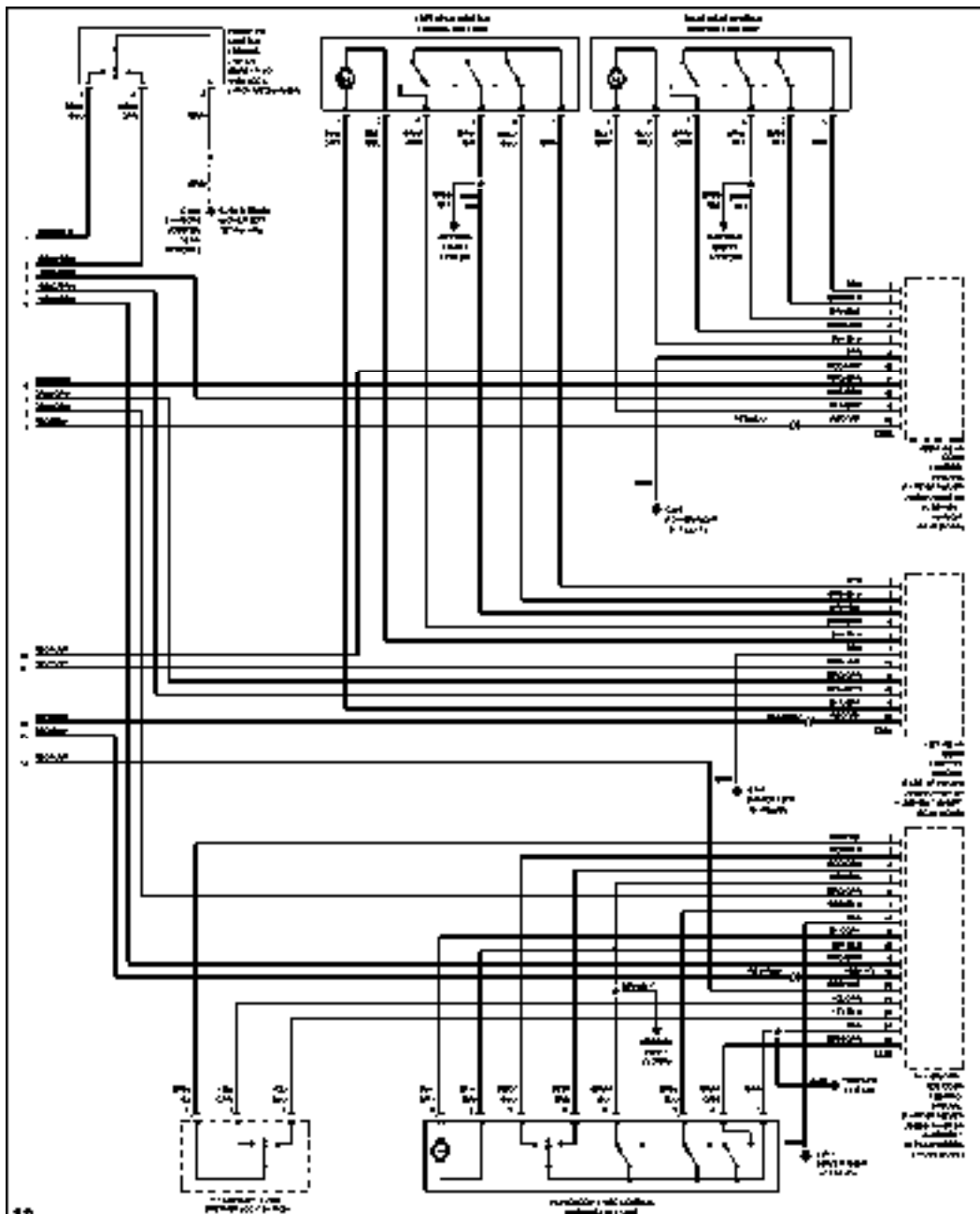


Power Distribution Circuit (4 of 4)

POWER DOOR LOCKS

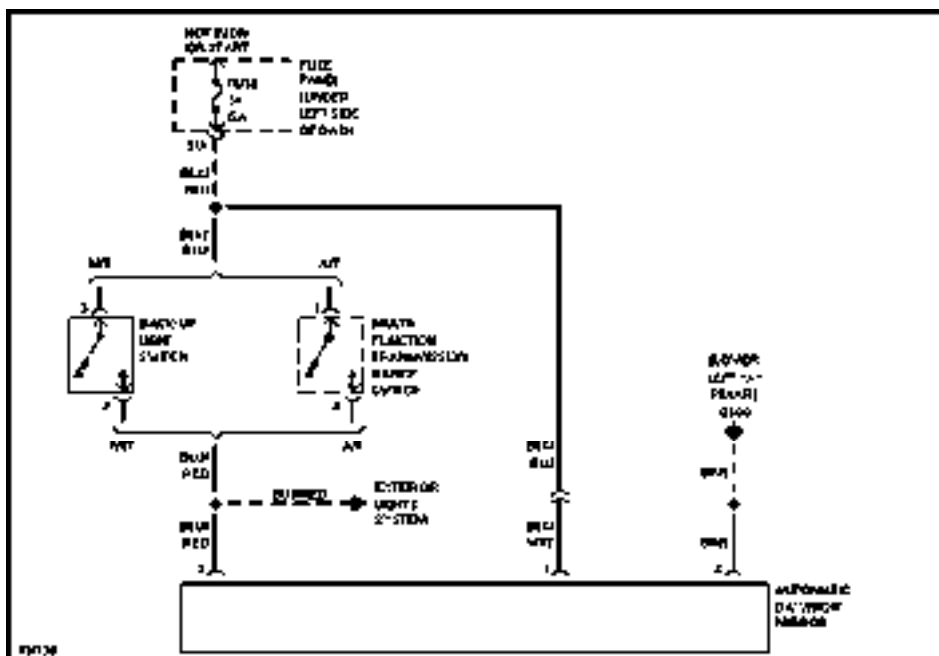


Power Door Lock Circuit (1 of 2)

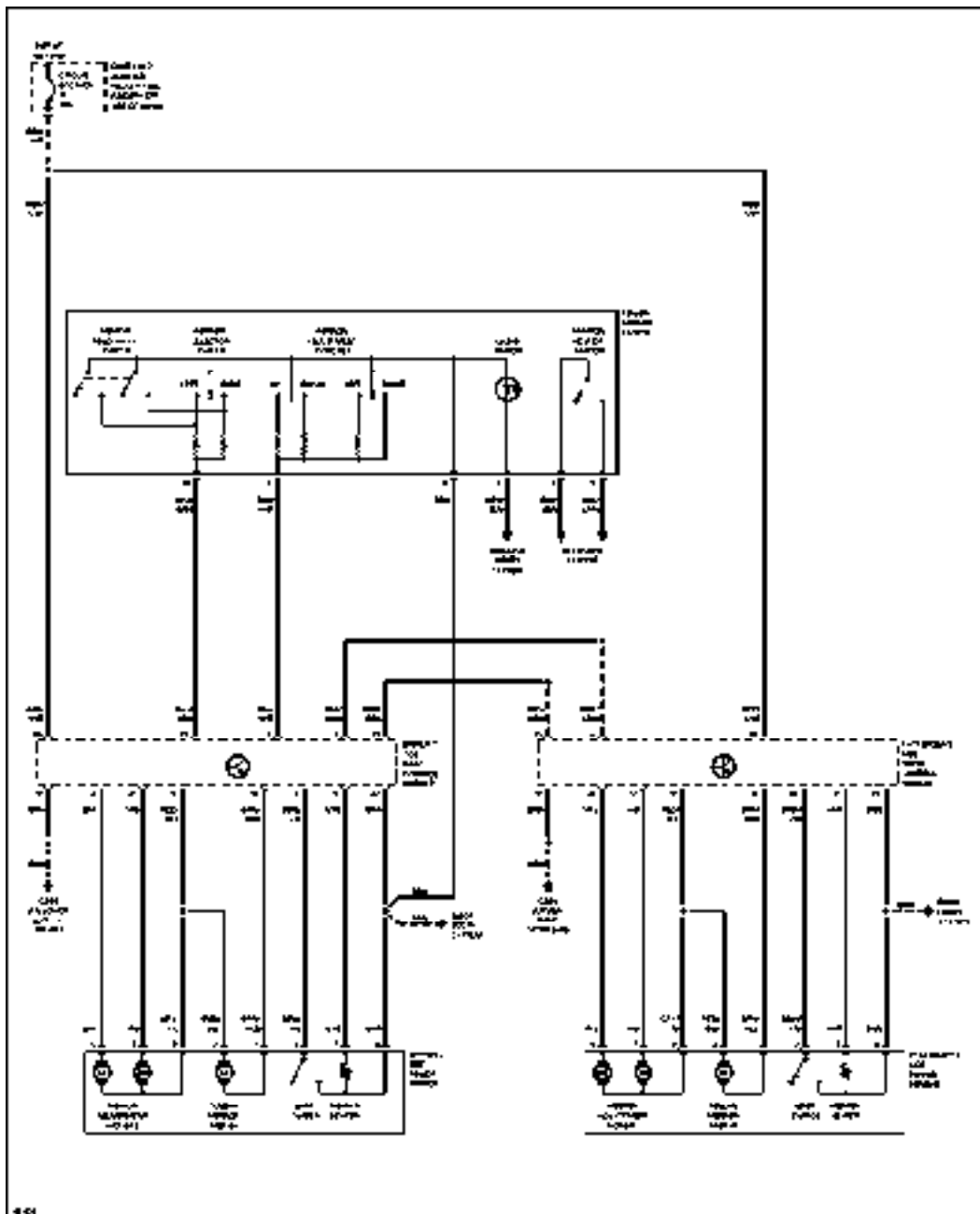


Power Door Lock Circuit (2 of 2)

POWER MIRRORS

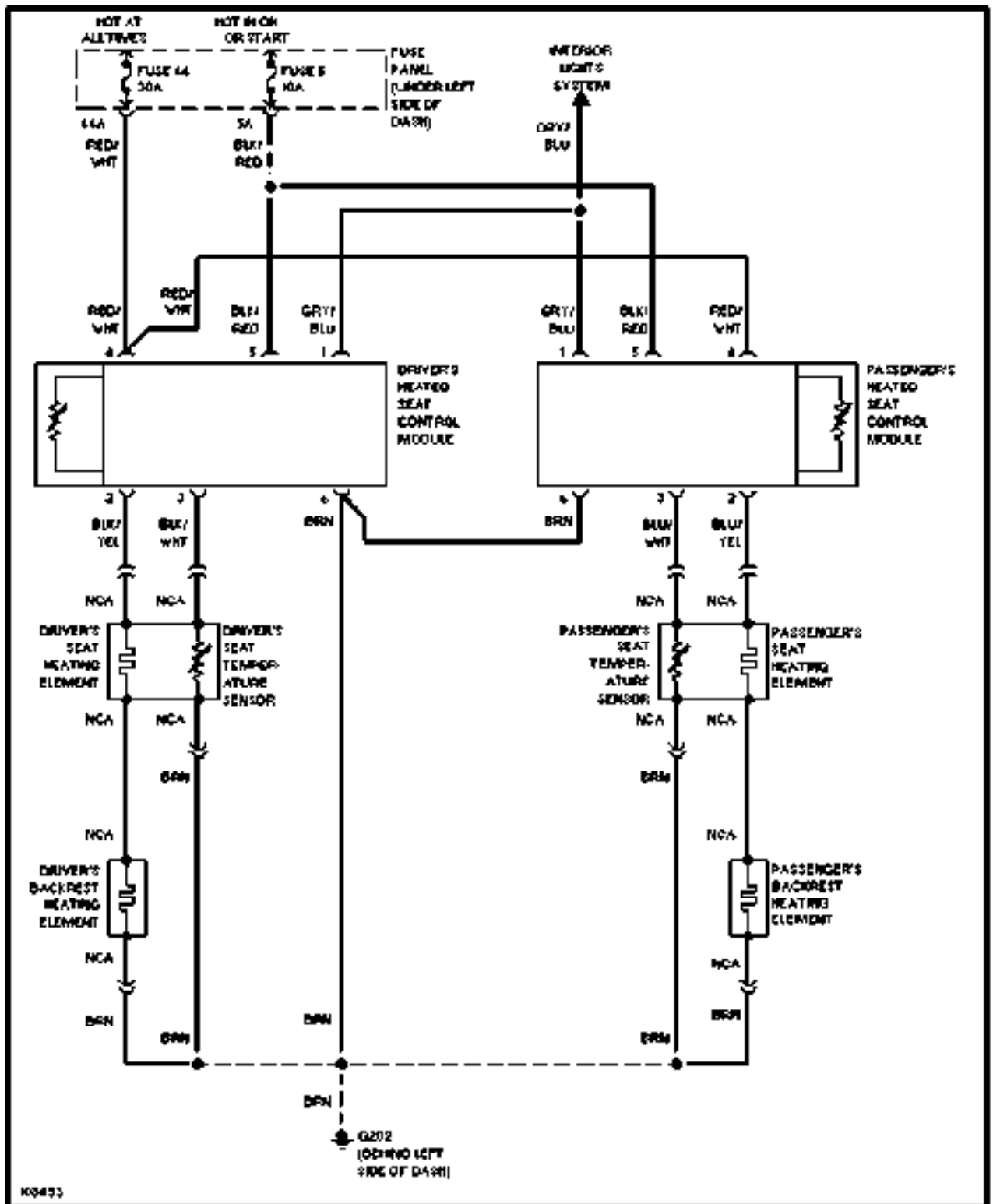


Automatic Day/Night Mirror Circuit

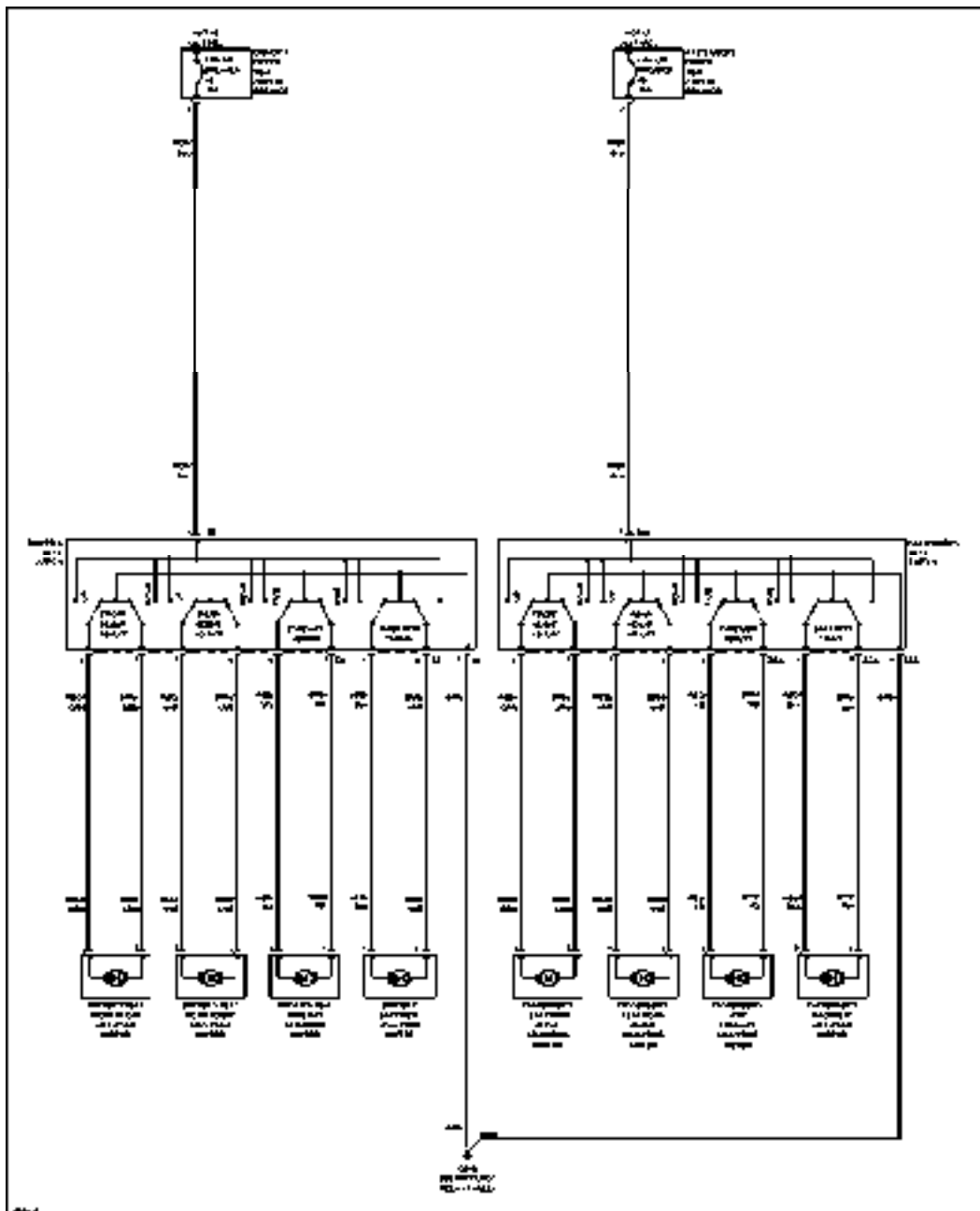


Power Mirrors Circuit

POWER SEATS

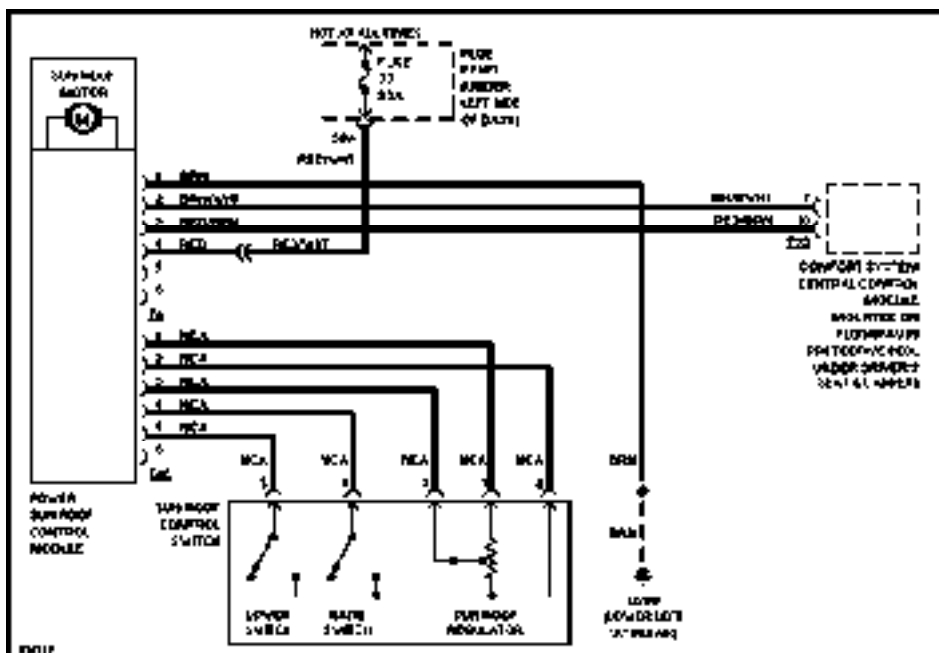


Heated Seats Circuit



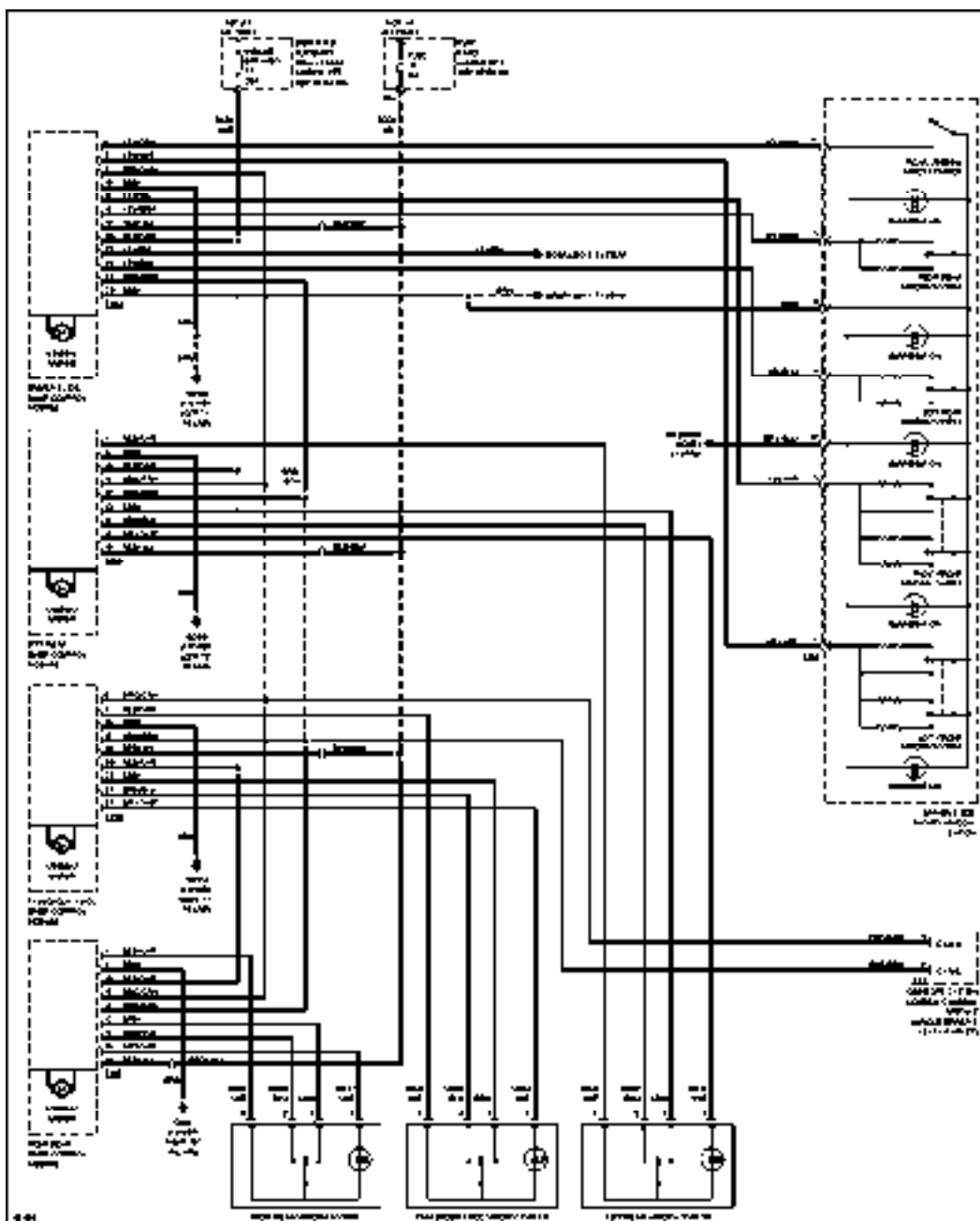
Power Seats Circuit

POWER TOP/SUNROOF



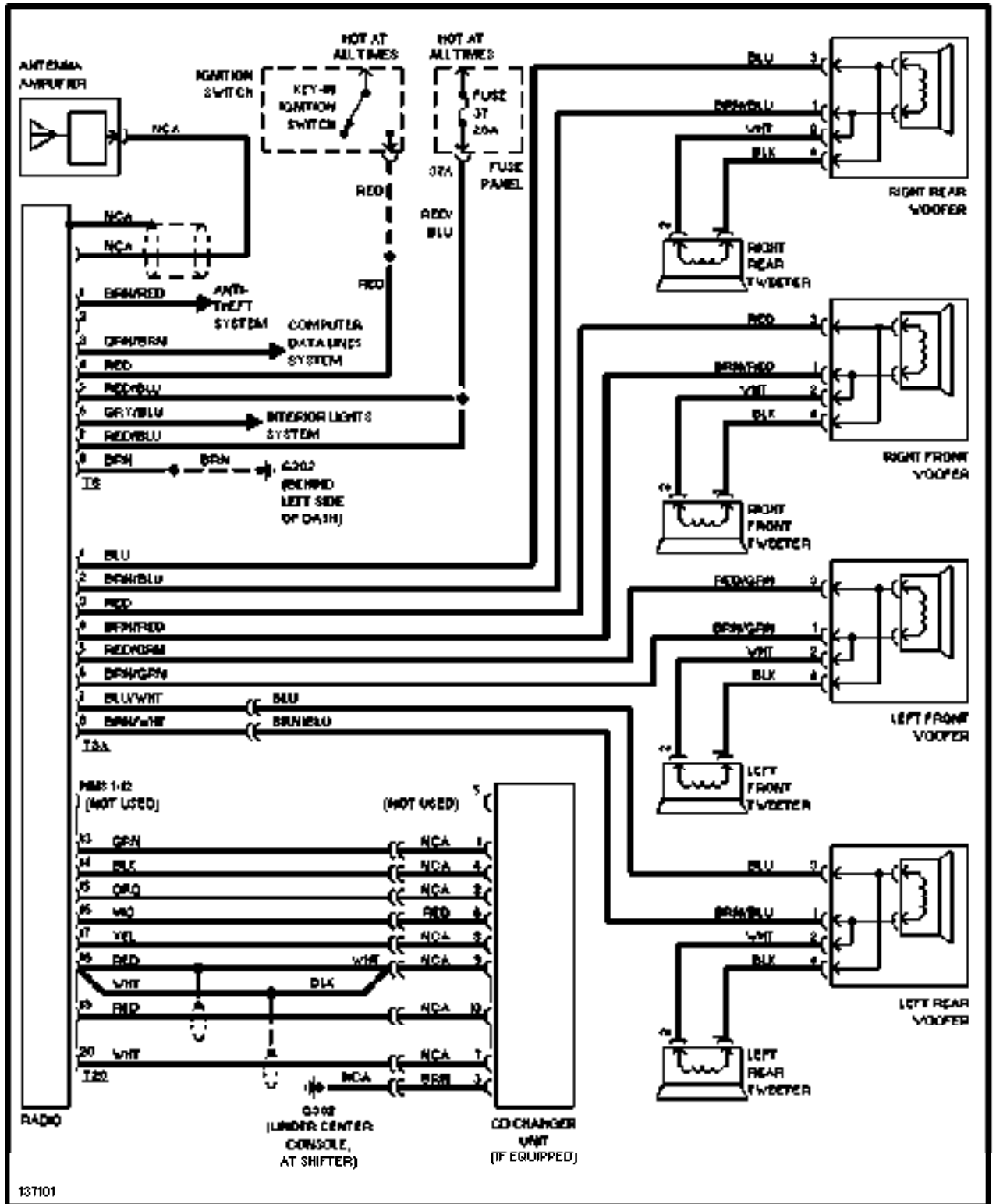
Sunroof Circuit

POWER WINDOWS

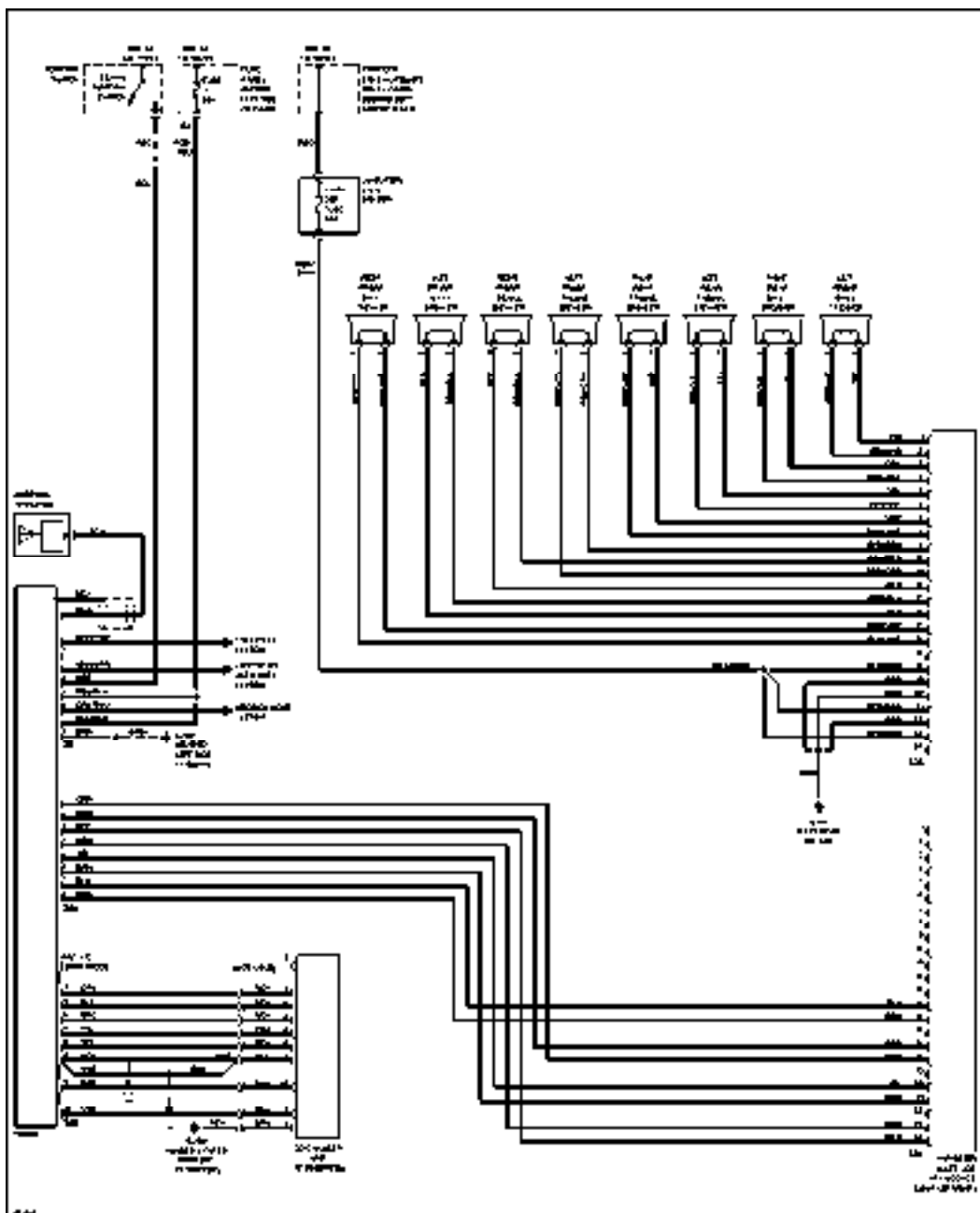


Power Window Circuit

RADIO

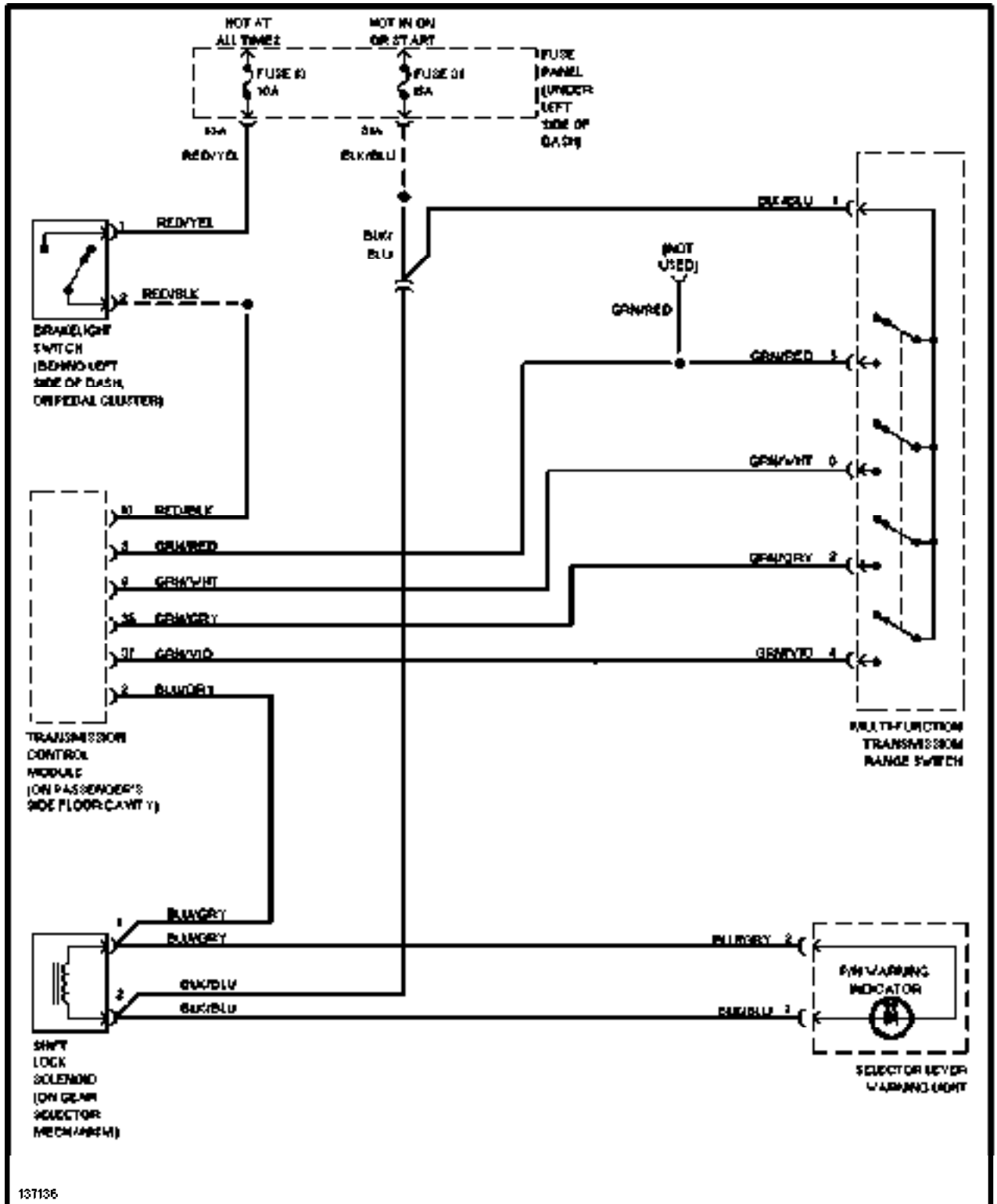


Base Radio, W/O Monsoon Radio



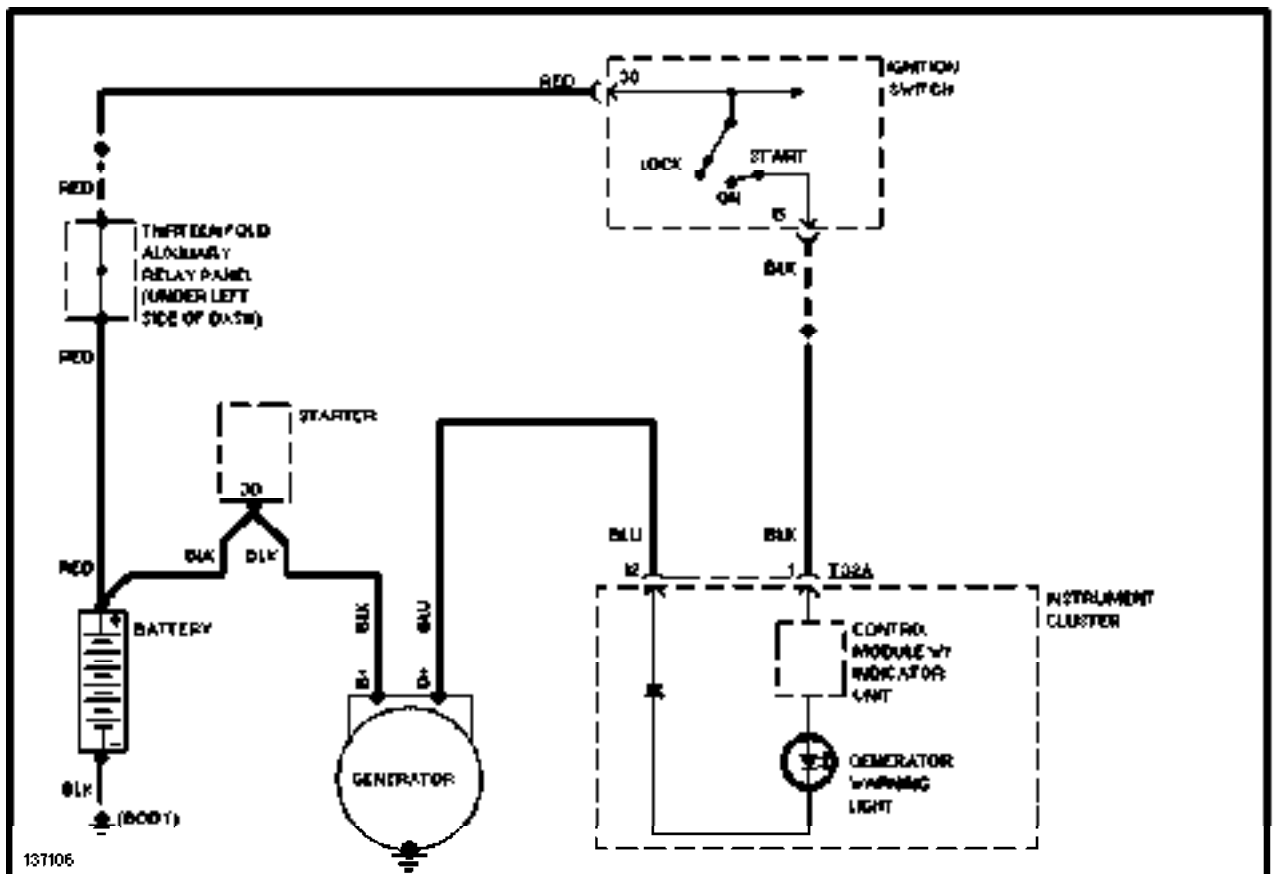
Radio Circuits, W/ Monsoon Radio

SHIFT INTERLOCKS

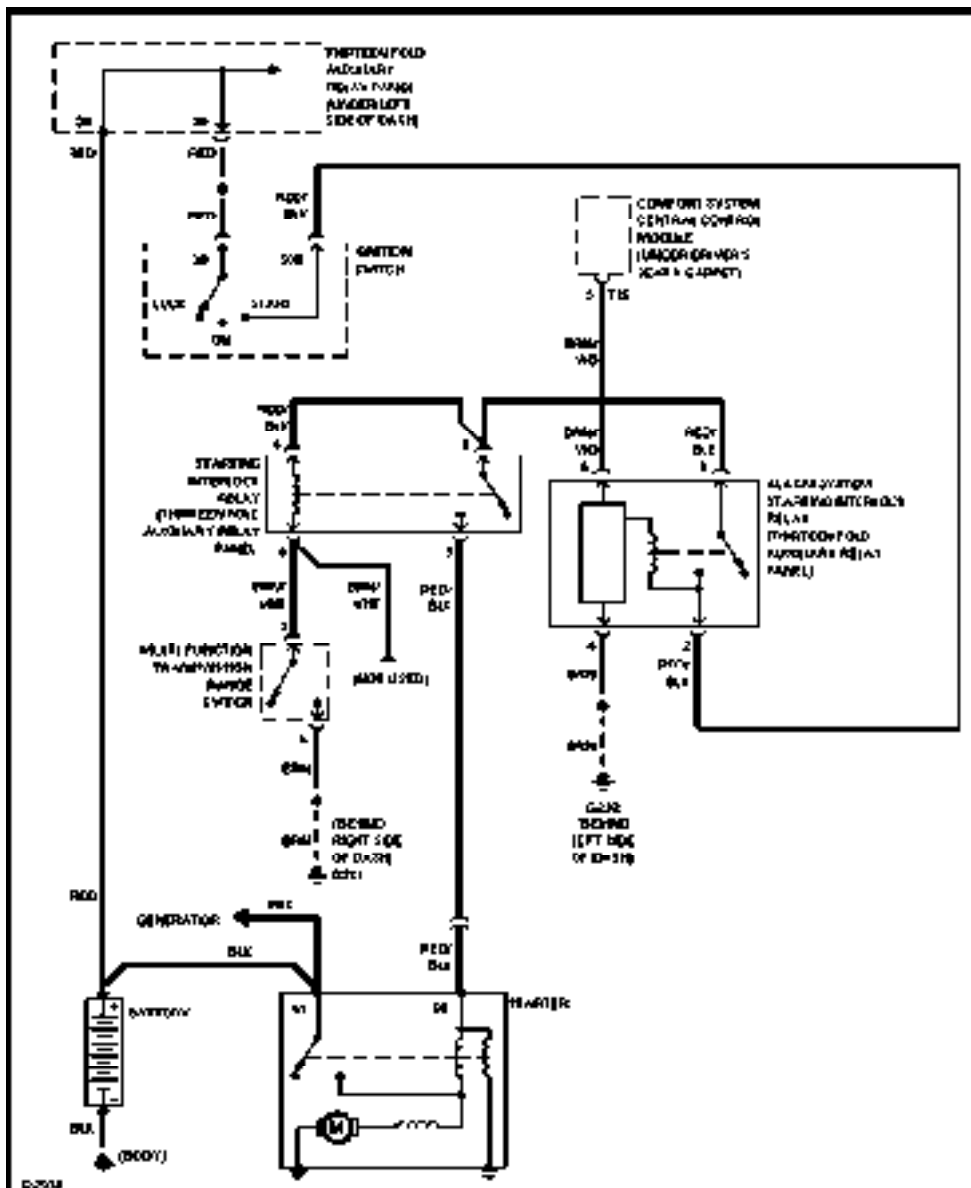


Shift Interlock Circuit

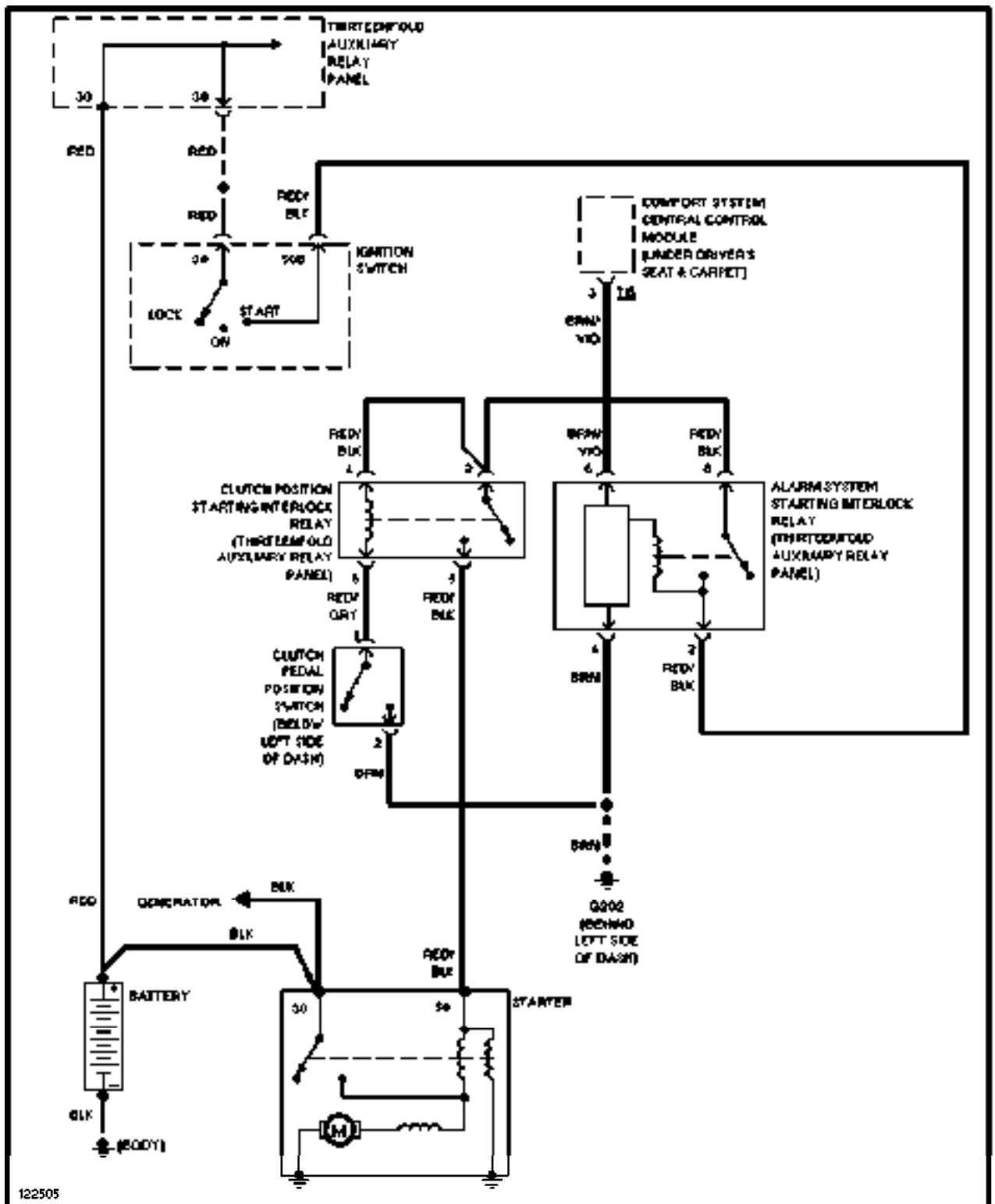
STARTING/CHARGING



Charging Circuit

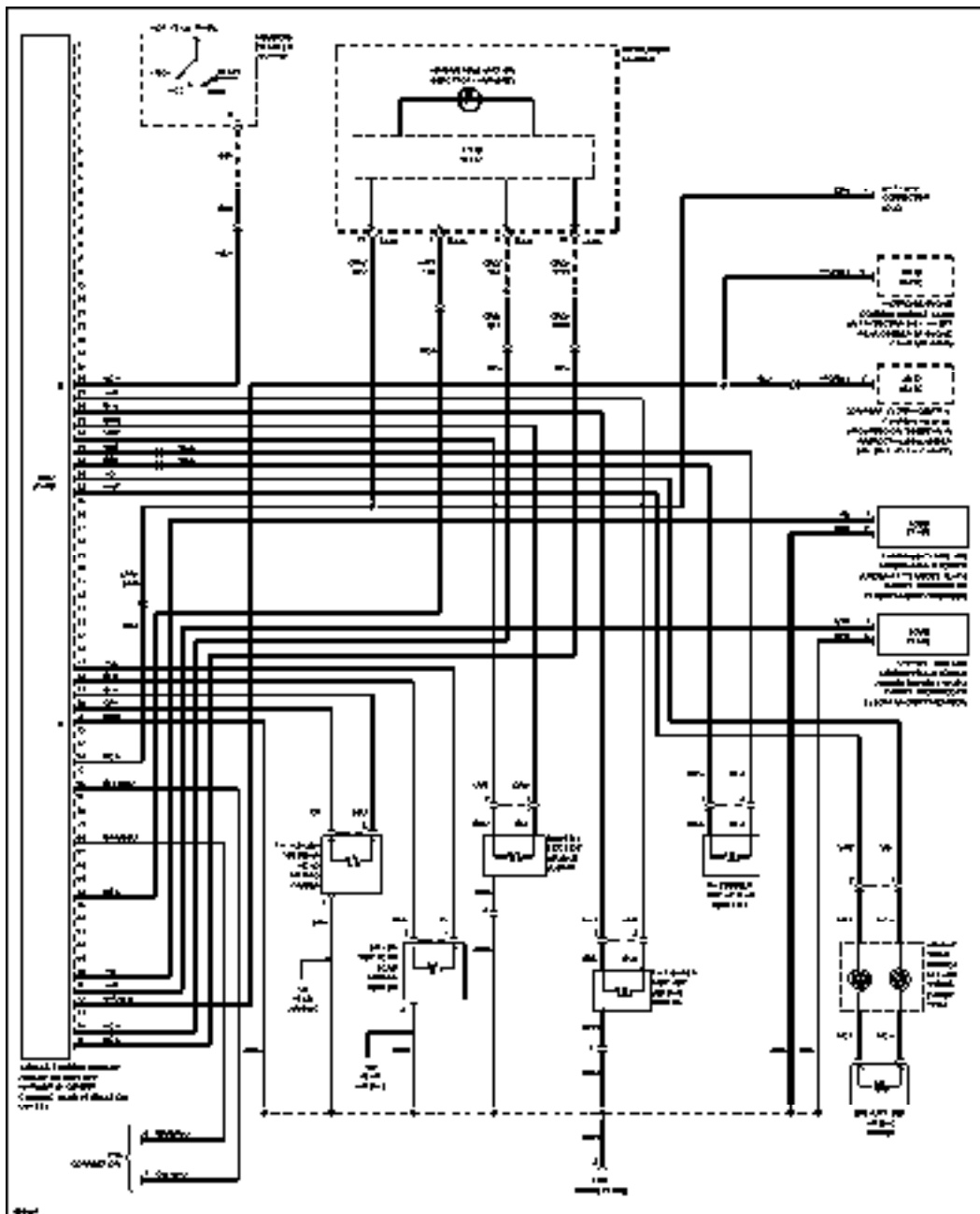


Starting Circuit, A/T



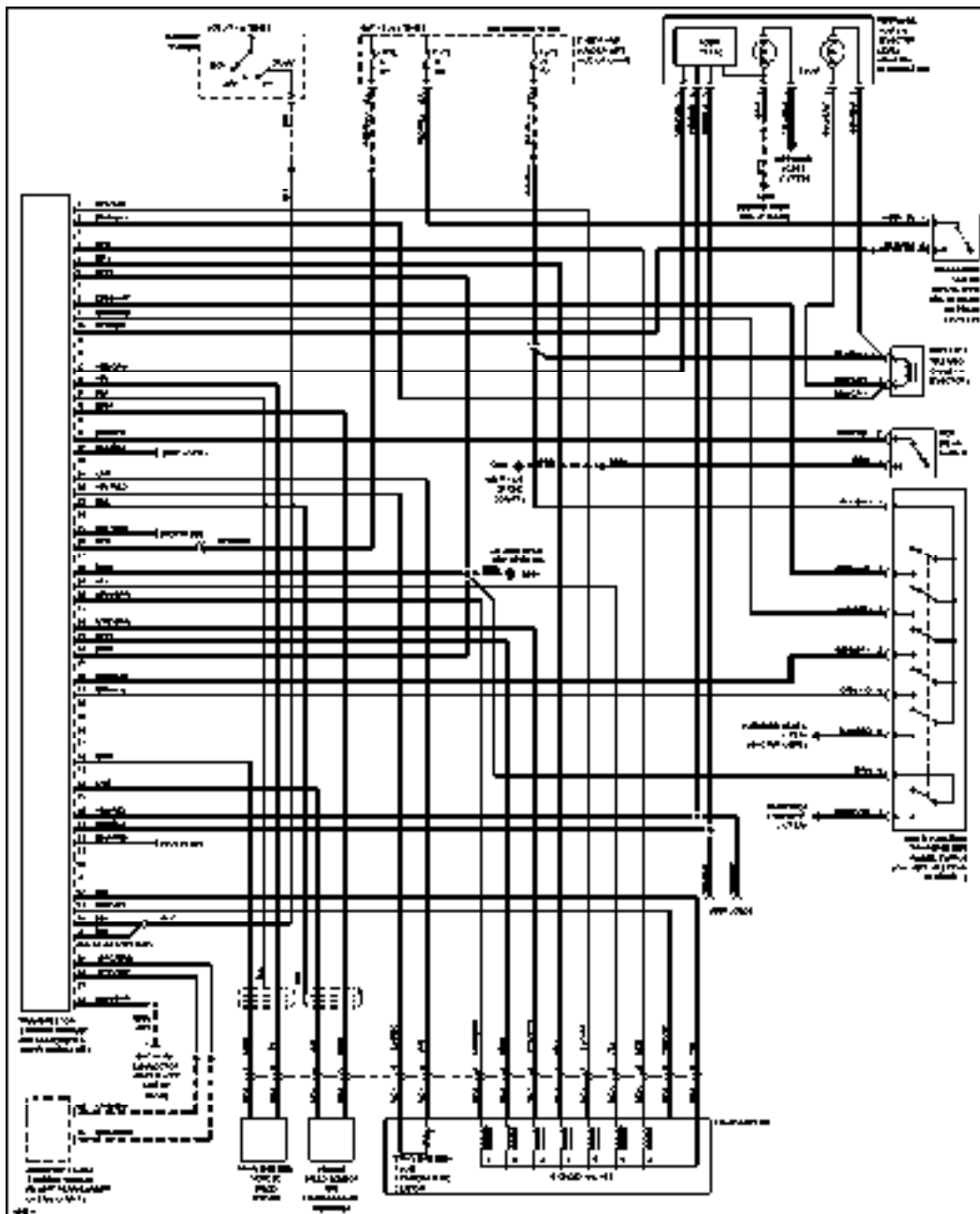
Starting Circuit, M/T

SUPPLEMENTAL RESTRAINTS



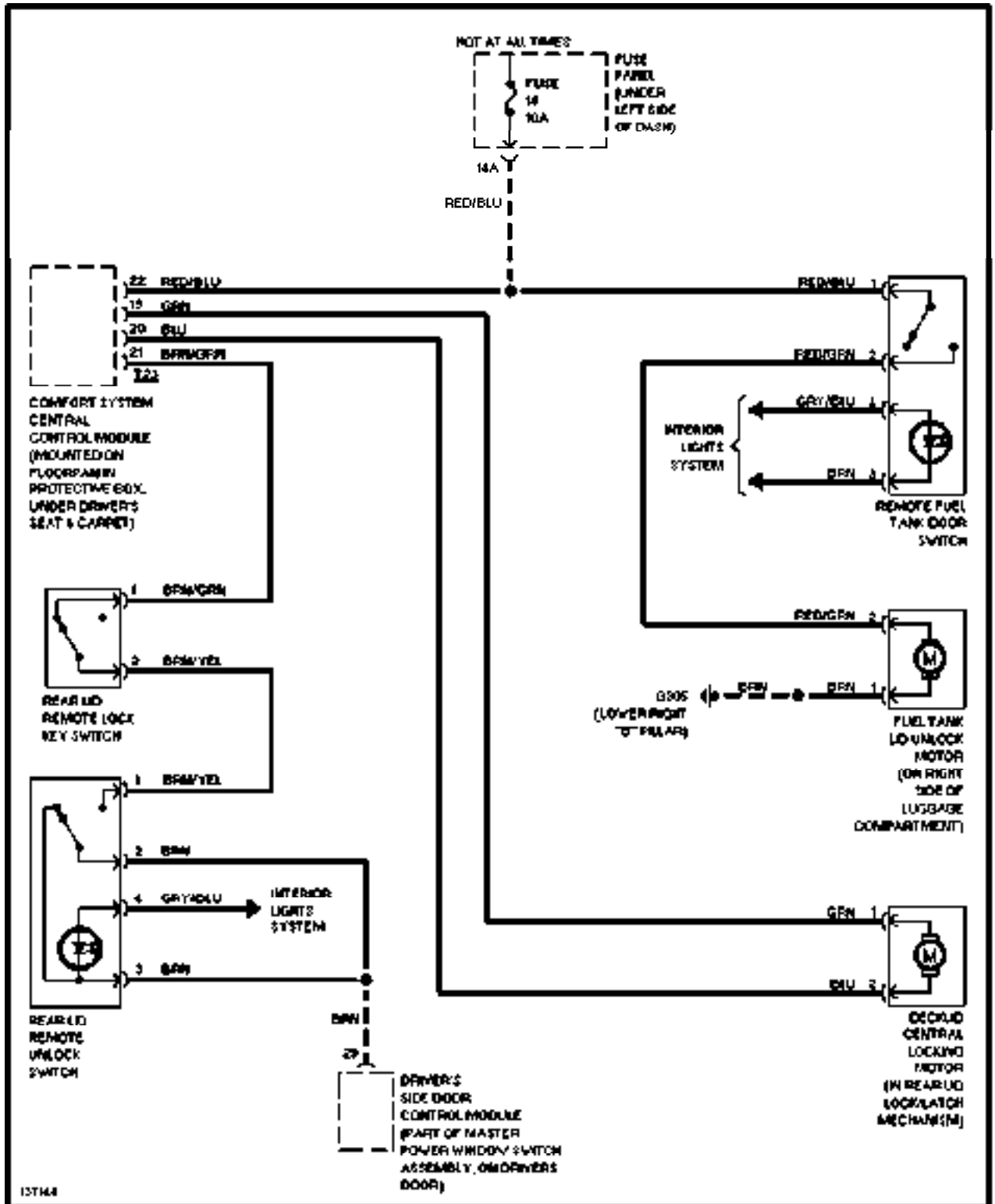
Supplemental Restraint Circuit

TRANSMISSION

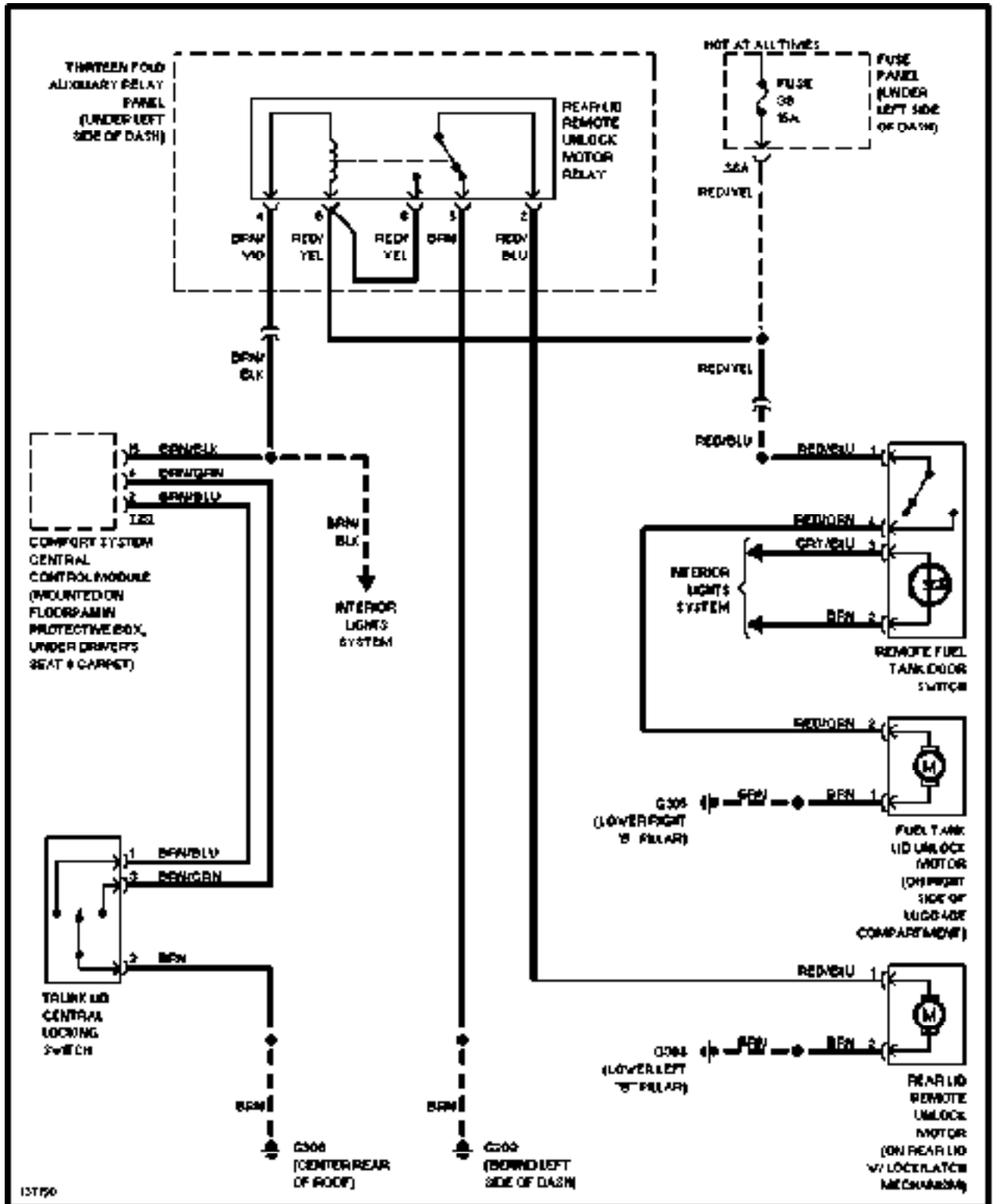


A/T Circuit

TRUNK, TAILGATE, FUEL DOOR

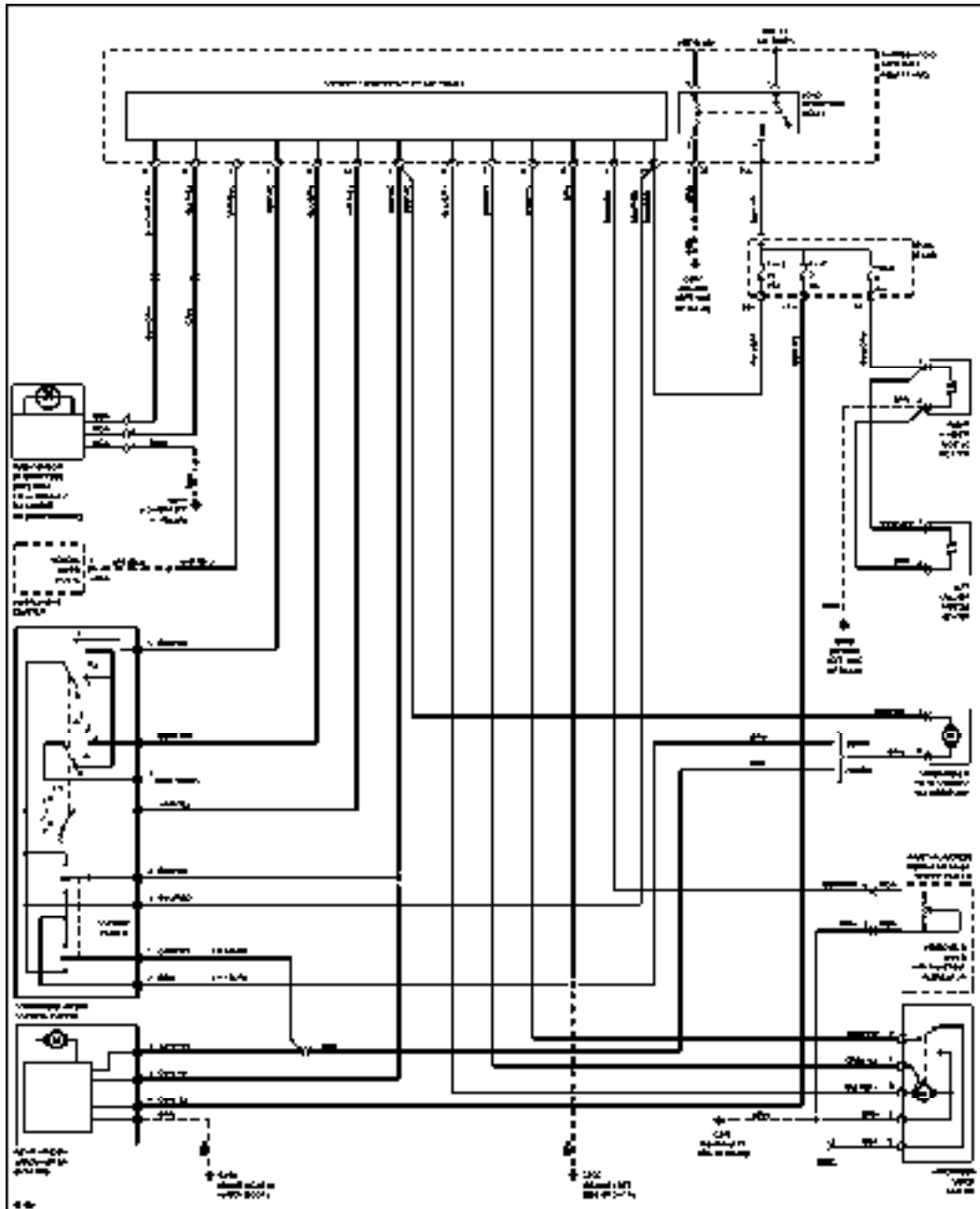


Trunk & Fuel Door Release Circuit, Sedan



Trunk & Fuel Door Release Circuit, Wagon

WIPER/WASHER



Wiper/Washer Circuit

END OF ARTICLE