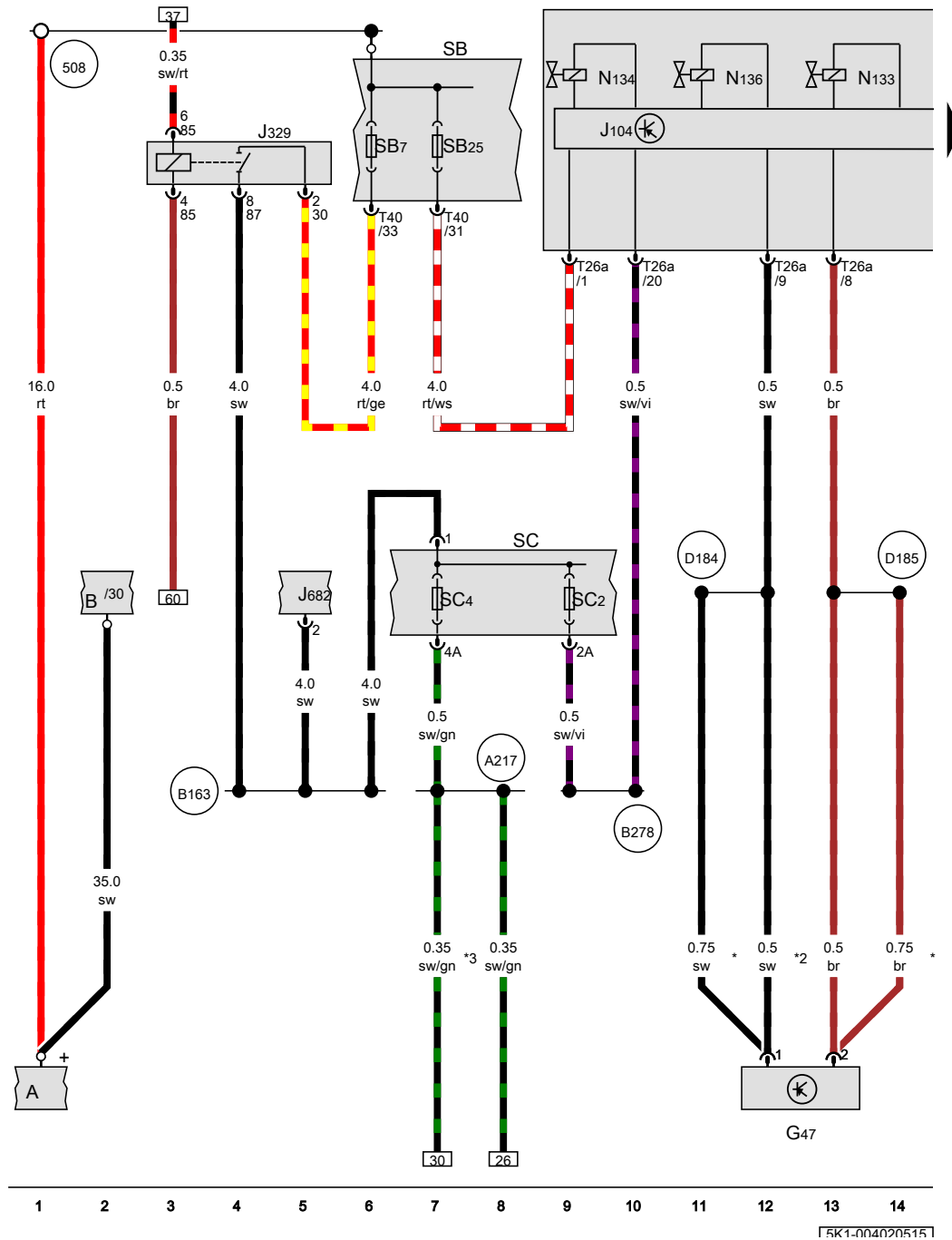


**Anti-Lock Brake System (ABS) with ASR , (1AS),(1AT)**

from July 2008



**Left front ABS wheel speed sensor, ABS control module, Terminal 15 power supply relay, Fuse panel B, Fuse panel C**

- A Battery
  - B Starter
  - G47 Left front ABS wheel speed sensor
  - J104 ABS control module, in the engine compartment, right
  - J329 Terminal 15 power supply relay
  - J682 Terminal 50 power supply relay
  - N133 Right rear ABS inlet valve
  - N134 Left rear ABS inlet valve
  - N136 Left rear ABS outlet valve
  - SB Fuse panel B
  - SC2 Fuse 2 (on fuse panel C)
  - SC4 Fuse 4 (on fuse panel C)
  - SB7 Fuse 7 (on fuse panel B)
  - SB25 Fuse 25 (on fuse panel B)
  - SC Fuse panel C
  - T26a 26-pin connector
  - T40 40-pin connector
- (508) Terminal 30 threaded connection (on E-box)
  - (A217) Positive connection 8 (15a) (in instrument panel wiring harness)
  - (B163) Positive connection 1 (15) (in interior wiring harness)
  - (B278) Positive connection 2 (15a) (in main wiring harness)
  - (D184) Left front speed sensor positive connection (in engine compartment wiring harness)
  - (D185) Left front speed sensor negative connection (in engine compartment wiring harness)
  - \* Only for vehicles without brake pad wear indicator
  - \*2 Only for vehicles with brake pad wear indicator
  - \*3 Only for vehicles with tire pressure monitoring

- ws = white
- sw = black
- ro = red
- rt = red
- br = brown
- gn = green
- bl = blue
- gr = grey
- li = lilac
- vi = lilac
- ge = yellow
- or = orange
- rs = pink

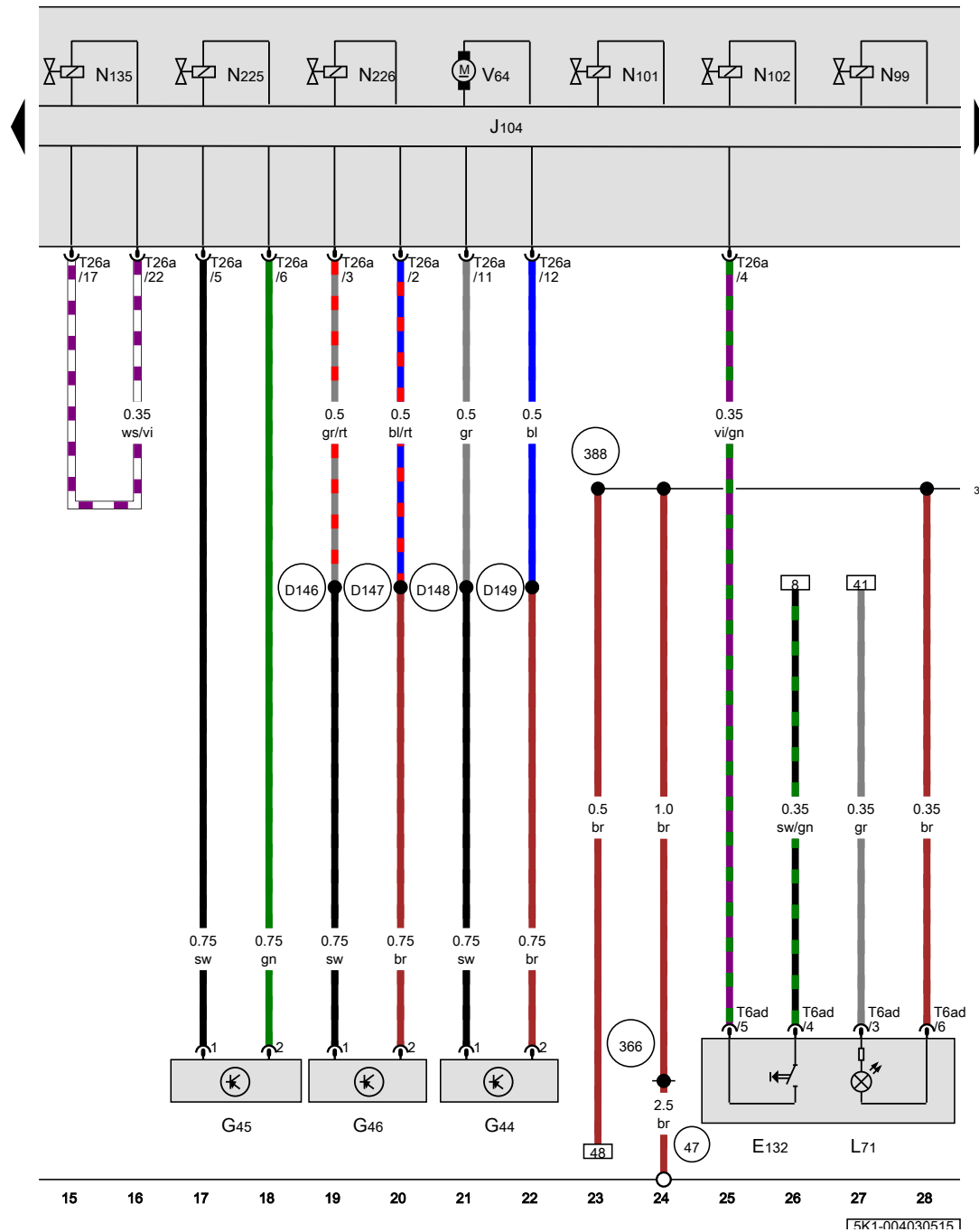
15K1-0040205151

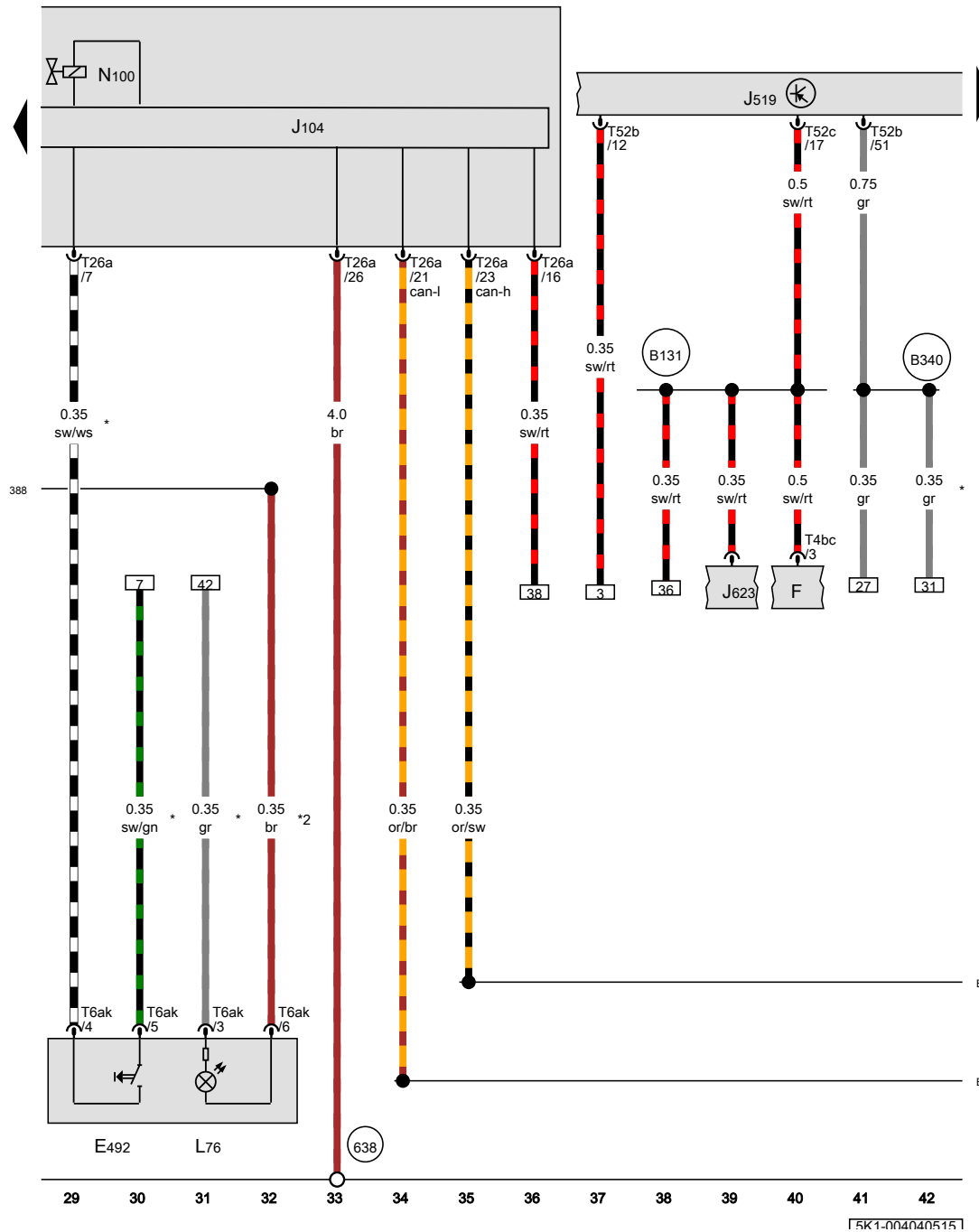
ASR switch, Right rear ABS wheel speed sensor, Right front ABS wheel speed sensor, Left rear ABS wheel speed sensor, ABS control module

- E132 ASR switch
- G44 Right rear ABS wheel speed sensor
- G45 Right front ABS wheel speed sensor
- G46 Left rear ABS wheel speed sensor
- J104 ABS control module, in the engine compartment, right
- L71 ASR switch illumination bulb
- N99 Right front ABS inlet valve
- N101 Left front ABS inlet valve
- N102 Left front ABS outlet valve
- N135 Right rear ABS outlet valve
- N225 Driving dynamics regulation switch valve 1
- N226 Driving dynamics regulation switch valve 2
- T6ad 6-pin connector
- T26a 26-pin connector
- V64 ABS hydraulic pump

- 47 Ground connection in right front footwell
- 366 Ground connection 1 (in main wiring harness)
- 388 Ground connection 23 (in main wiring harness)
- D146 Left rear speed sensor positive connection (in engine compartment wiring harness)
- D147 Left rear speed sensor negative connection (in engine compartment wiring harness)
- D148 Right rear speed sensor positive connection (in engine compartment wiring harness)
- D149 Right rear speed sensor negative connection (in engine compartment wiring harness)

- ws = white
- sw = black
- ro = red
- rt = red
- br = brown
- gn = green
- bl = blue
- gr = grey
- li = lilac
- vi = lilac
- ge = yellow
- or = orange
- rs = pink



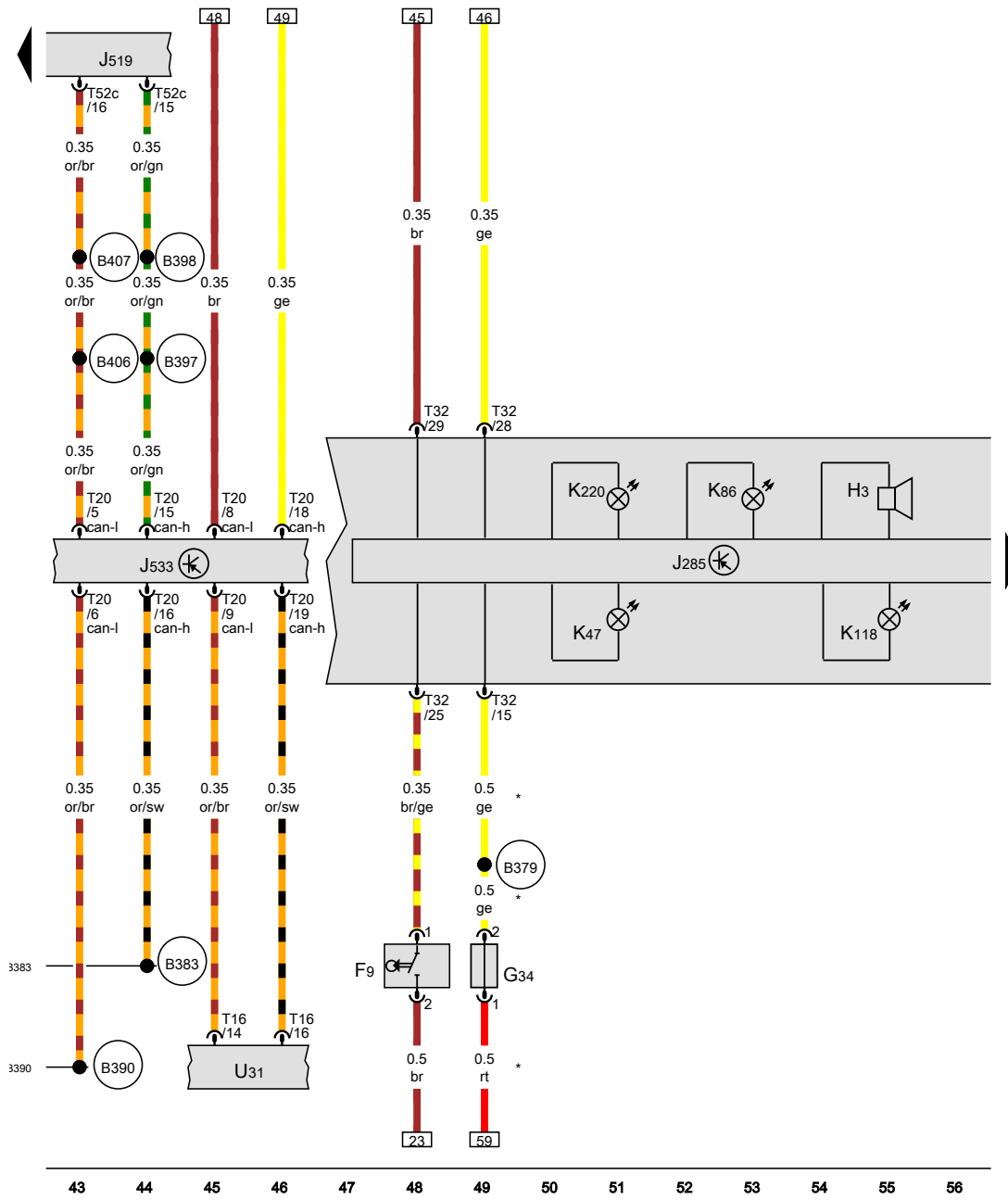


Tire pressure monitoring display button, ABS control module, Vehicle electrical control module system

- E492 Tire pressure monitoring display button
- F Brake lamp switch
- J104 ABS control module, in the engine compartment, right
- J519 Vehicle electrical control module system
- J623 Engine control module
- L76 Push button illumination bulb
- N100 Right front ABS outlet valve
- T4bc 4-pin connector
- T6ak 6-pin connector
- T26a 26-pin connector
- T52b 52-pin connector
- T52c 52-pin connector
- 388 Ground connection 23 (in main wiring harness)
- 638 Ground connection on right A-pillar
- B131 Connection 54 (in interior wiring harness)
- B340 Connection 58d (in main wiring harness) 1
- B383 Powertrain CAN bus high connection 1 (in main wiring harness)
- B390 Powertrain CAN bus low connection 1 (in main wiring harness)
- \* Only for vehicles with tire pressure monitoring
- \*2 Only for vehicles with a speech recognition system

- ws = white
- sw = black
- ro = red
- rt = red
- br = brown
- gn = green
- bl = blue
- gr = grey
- li = lilac
- vi = lilac
- ge = yellow
- or = orange
- rs = pink

15K1-0040515



Parking brake indicator lamp switch, Left front brake pad wear sensor, Instrument cluster control module, Vehicle electrical control module system, Data bus on board diagnostic interface, ABS indicator lamp, Traction control indicator lamp, Brake system indicator lamp, Tire pressure monitoring display indicator lamp

- F9 Parking brake indicator lamp switch
- G34 Left front brake pad wear sensor
- H3 Warning buzzer and tone
- J285 Instrument cluster control module
- J519 Vehicle electrical control module system
- J533 Data bus on board diagnostic interface, in the left footwell, near the center console
- K47 ABS indicator lamp
- K86 Traction control indicator lamp
- K118 Brake system indicator lamp
- K220 Tire pressure monitoring display indicator lamp
- T16 16-pin connector
- T20 20-pin connector
- T32 32-pin connector
- T52c 52-pin connector
- U31 Diagnostic connection

- (B379) Brake wear indicator connection 1 (in main wiring harness)
- (B383) Powertrain CAN bus high connection 1 (in main wiring harness)
- (B390) Powertrain CAN bus low connection 1 (in main wiring harness)
- (B397) Comfort system CAN bus high connection 1 (in main wiring harness)
- (B398) Comfort system CAN bus high connection 2 (in main wiring harness)
- (B406) Comfort system CAN bus low connection 1 (in main wiring harness)
- (B407) Comfort system CAN bus low connection 2 (in main wiring harness)

\* Only for vehicles with brake pad wear indicator

- ws = white
- sw = black
- ro = red
- rt = red
- br = brown
- gn = green
- bl = blue
- gr = grey
- li = lilac
- vi = lilac
- ge = yellow
- or = orange
- rs = pink

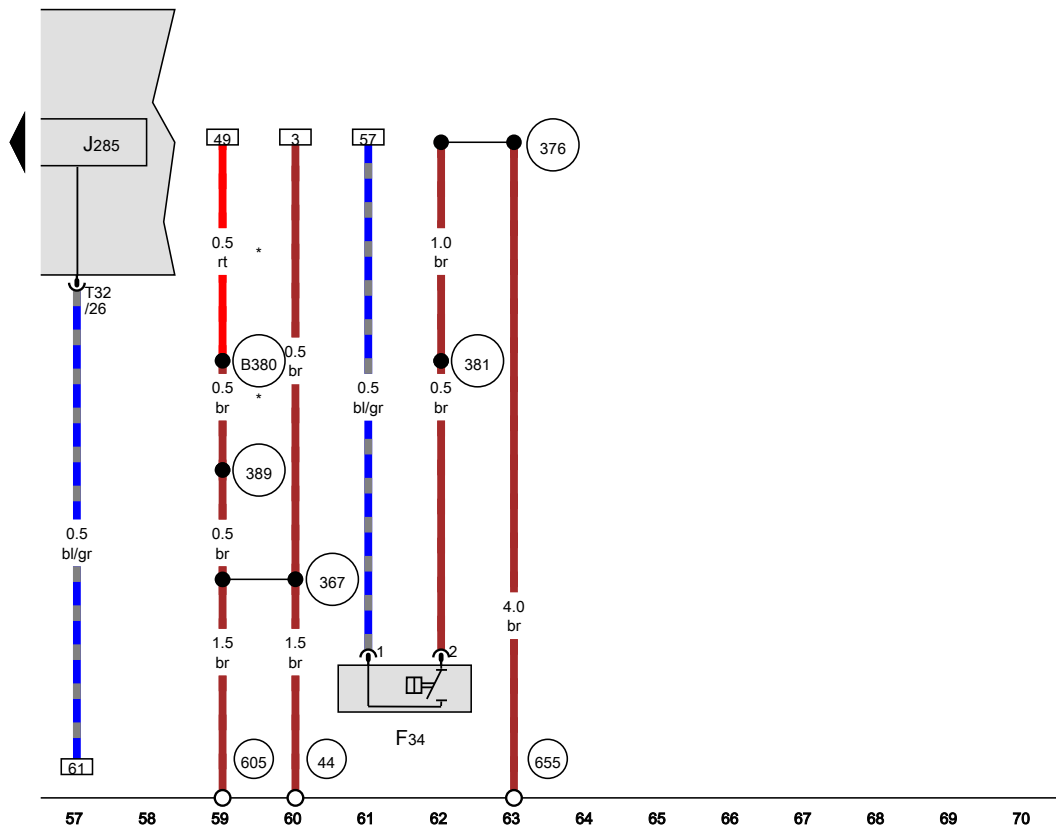
15K1-0040505151

**Brake fluid level warning switch, Instrument cluster control module**

- F34 Brake fluid level warning switch
- J285 Instrument cluster control module
- T32 32-pin connector

- 44 Ground connection on A-pillar, lower left
- 367 Ground connection 2 (in main wiring harness)
- 376 Ground connection 11 (in main wiring harness)
- 381 Ground connection 16 (in main wiring harness)
- 389 Ground connection 24 (in main wiring harness)
- 605 Ground connection on upper steering column
- 655 Ground connection on left headlamp
- B380 Brake wear indicator connection 2 (in main wiring harness)

\* Only for vehicles with brake pad wear indicator



- ws = white
- sw = black
- ro = red
- rt = red
- br = brown
- gn = green
- bl = blue
- gr = grey
- li = lilac
- vi = lilac
- ge = yellow
- or = orange
- rs = pink

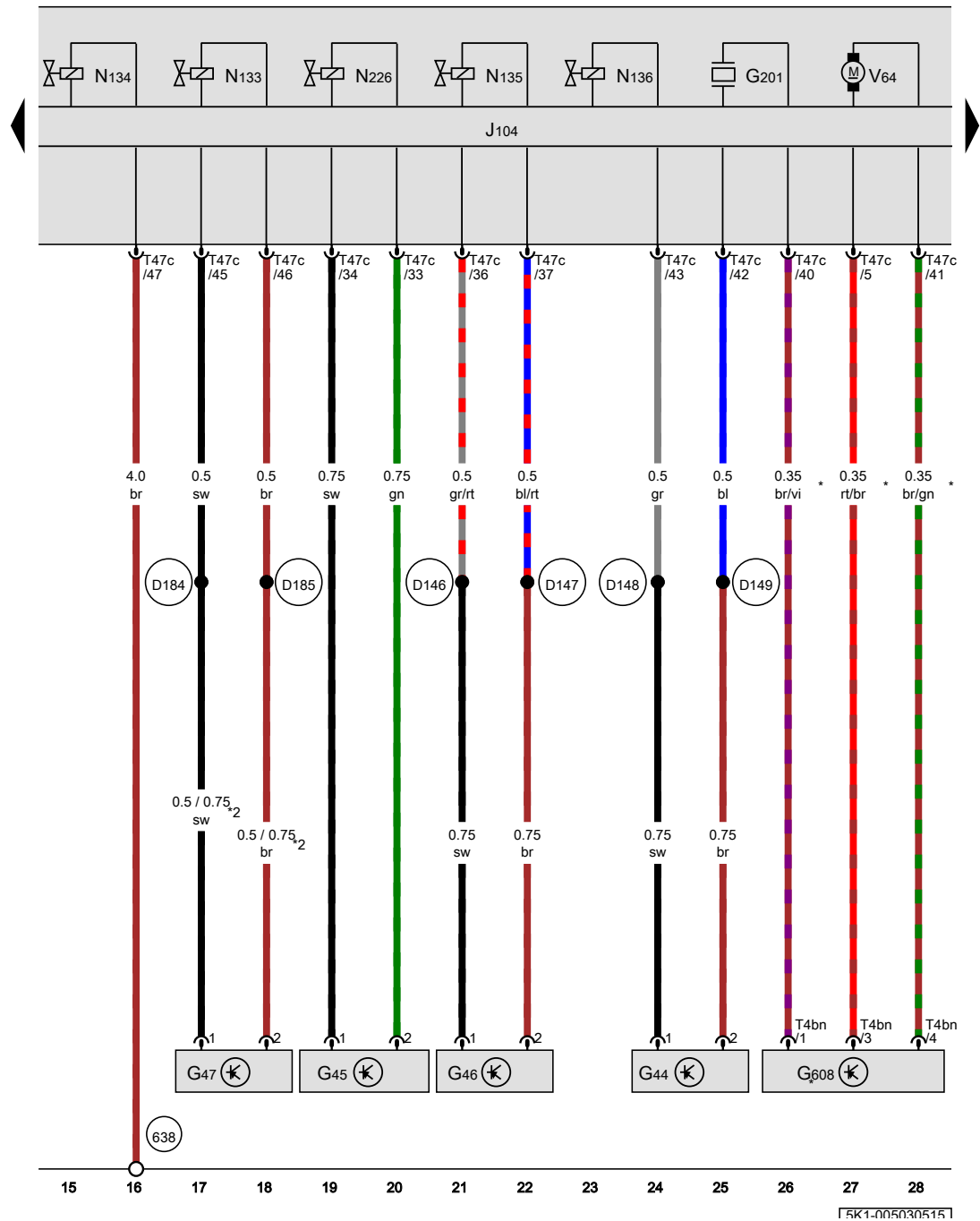
15K1-0040605151

**Anti-Lock Brake System (ABS) with EDL and ASR and ESP , (1AS),(1AT)**

from May 2008







Right rear ABS wheel speed sensor, Right front ABS wheel speed sensor, Left rear ABS wheel speed sensor, Left front ABS wheel speed sensor, Vacuum sensor, ABS control module

- G44 Right rear ABS wheel speed sensor
- G45 Right front ABS wheel speed sensor
- G46 Left rear ABS wheel speed sensor
- G47 Left front ABS wheel speed sensor
- G201 Brake pressure sensor 1
- G608 Vacuum sensor
- J104 ABS control module, in the engine compartment, right
- N133 Right rear ABS inlet valve
- N134 Left rear ABS inlet valve
- N135 Right rear ABS outlet valve
- N136 Left rear ABS outlet valve
- N226 Driving dynamics regulation switch valve 2
- T4bn 4-pin connector
- T47c 47-pin connector
- V64 ABS hydraulic pump

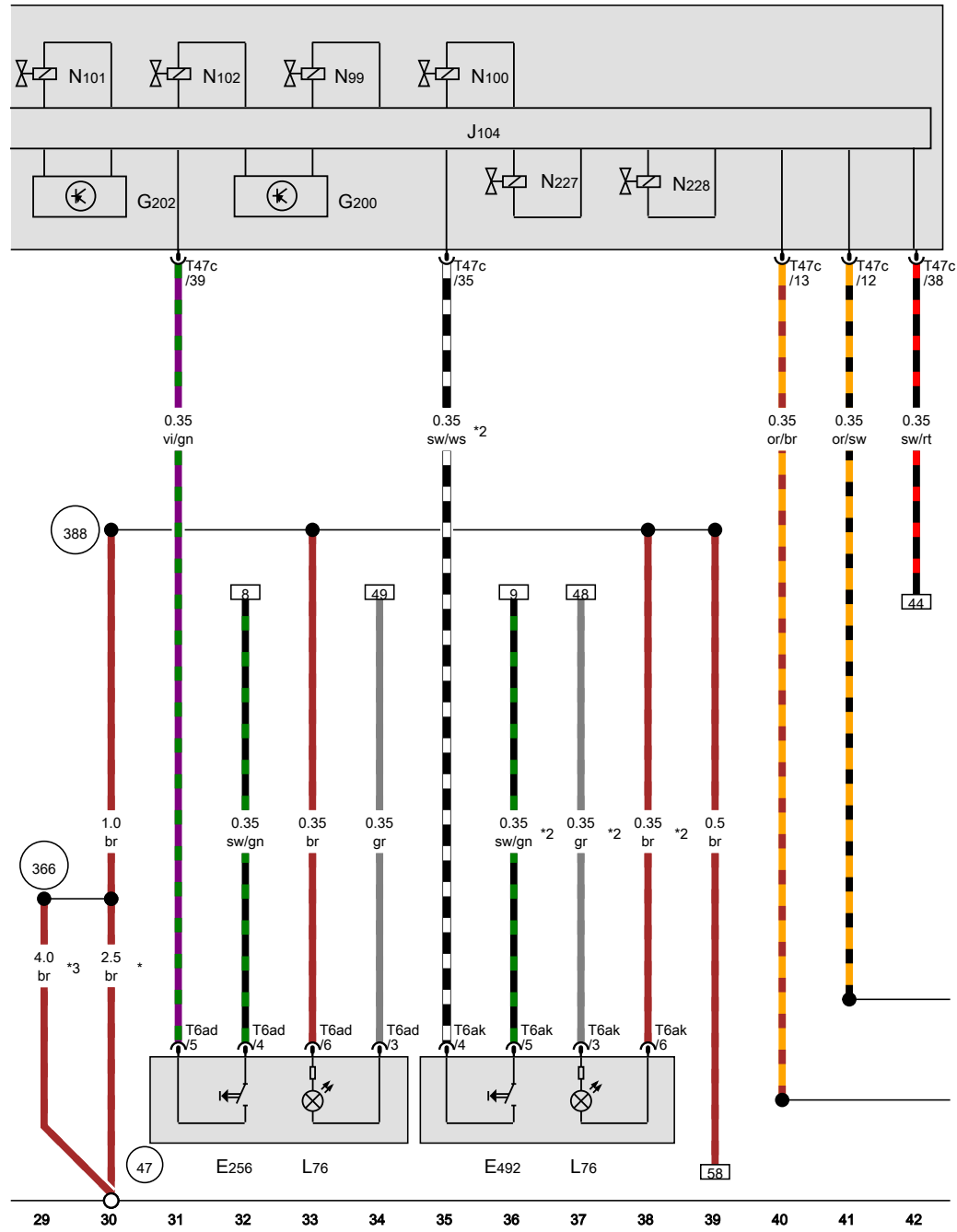
- 638 Ground connection on right A-pillar
- D146 Left rear speed sensor positive connection (in engine compartment wiring harness)
- D147 Left rear speed sensor negative connection (in engine compartment wiring harness)
- D148 Right rear speed sensor positive connection (in engine compartment wiring harness)
- D149 Right rear speed sensor negative connection (in engine compartment wiring harness)
- D184 Left front speed sensor positive connection (in engine compartment wiring harness)
- D185 Left front speed sensor negative connection (in engine compartment wiring harness)

\* Only for vehicles with a hydraulic brake booster  
 \*2 Only for vehicles without brake pad wear indicator

- ws = white
- sw = black
- ro = red
- rt = red
- br = brown
- gn = green
- bl = blue
- gr = grey
- li = lilac
- vi = lilac
- ge = yellow
- or = orange
- rs = pink

15K1-005030515

ASR/ESP button, Tire pressure monitoring display button, ABS control module



- E256 ASR/ESP button
- E492 Tire pressure monitoring display button
- G200 Transverse acceleration sensor
- G202 Rotation rate sensor
- J104 ABS control module, in the engine compartment, right
- L76 Push button illumination bulb
- N99 Right front ABS inlet valve
- N100 Right front ABS outlet valve
- N101 Left front ABS inlet valve
- N102 Left front ABS outlet valve
- N227 Driving dynamics regulation high pressure switch valve 1
- N228 Driving dynamics regulation high pressure switch valve 2
- T6ad 6-pin connector
- T6ak 6-pin connector
- T47c 47-pin connector

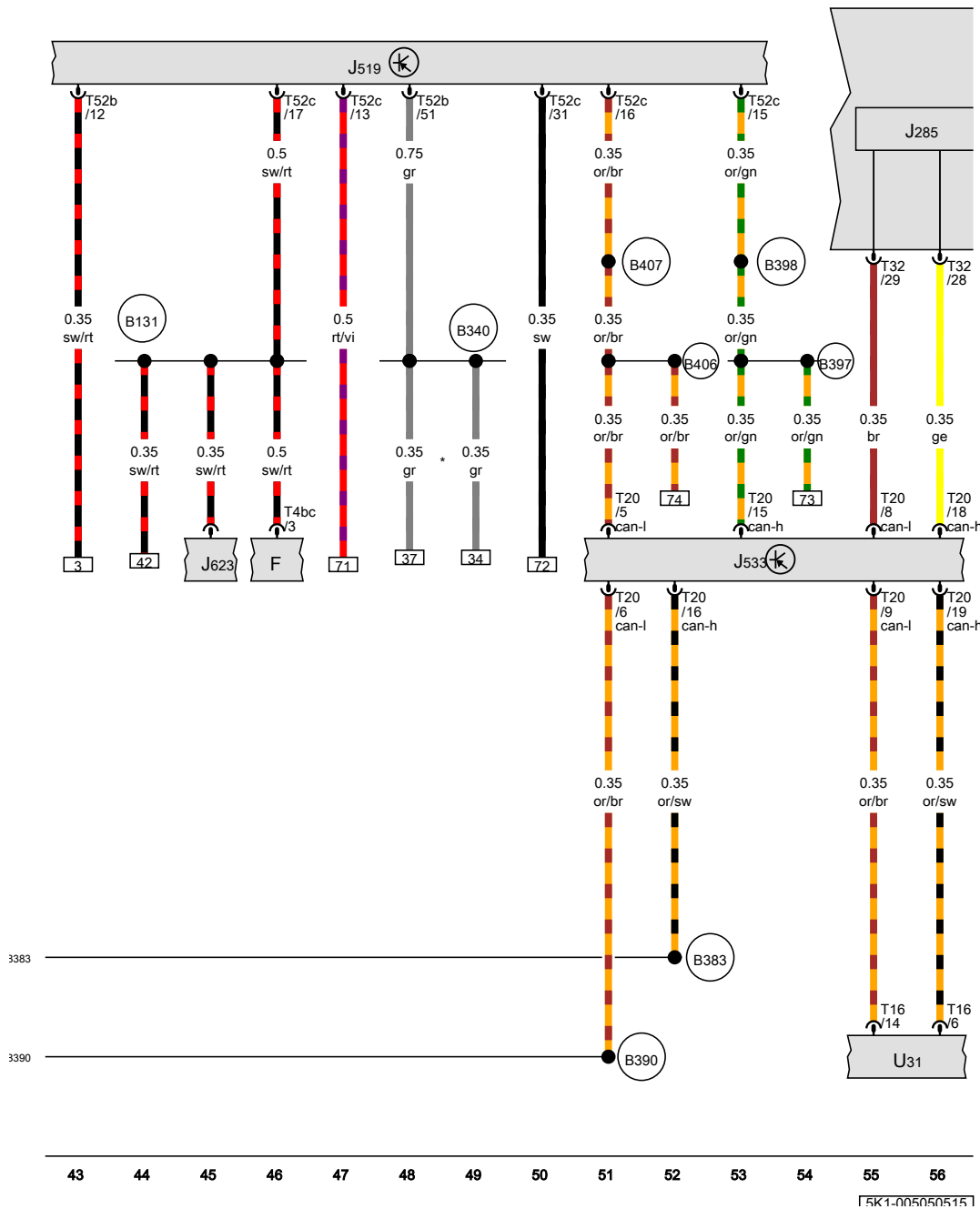
- 47 Ground connection in right front footwell
- 366 Ground connection 1 (in main wiring harness)
- 388 Ground connection 23 (in main wiring harness)
- B383 Powertrain CAN bus high connection 1 (in main wiring harness)
- B390 Powertrain CAN bus low connection 1 (in main wiring harness)

- \* Only for vehicles without Start/Stop system
- \*2 Only for vehicles with tire pressure monitoring
- \*3 Only for vehicles with Start/Stop system

- ws = white
- sw = black
- ro = red
- rt = red
- br = brown
- gn = green
- bl = blue
- gr = grey
- li = lilac
- vi = lilac
- ge = yellow
- or = orange
- rs = pink

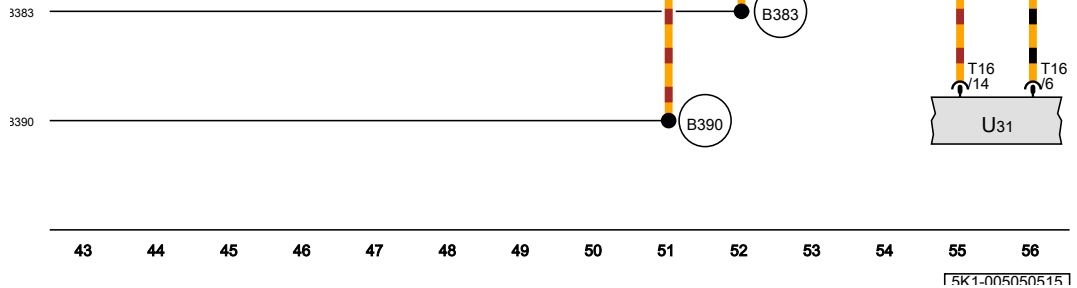
15K1-005040515

Instrument cluster control module, Vehicle electrical control module system, Data bus on board diagnostic interface

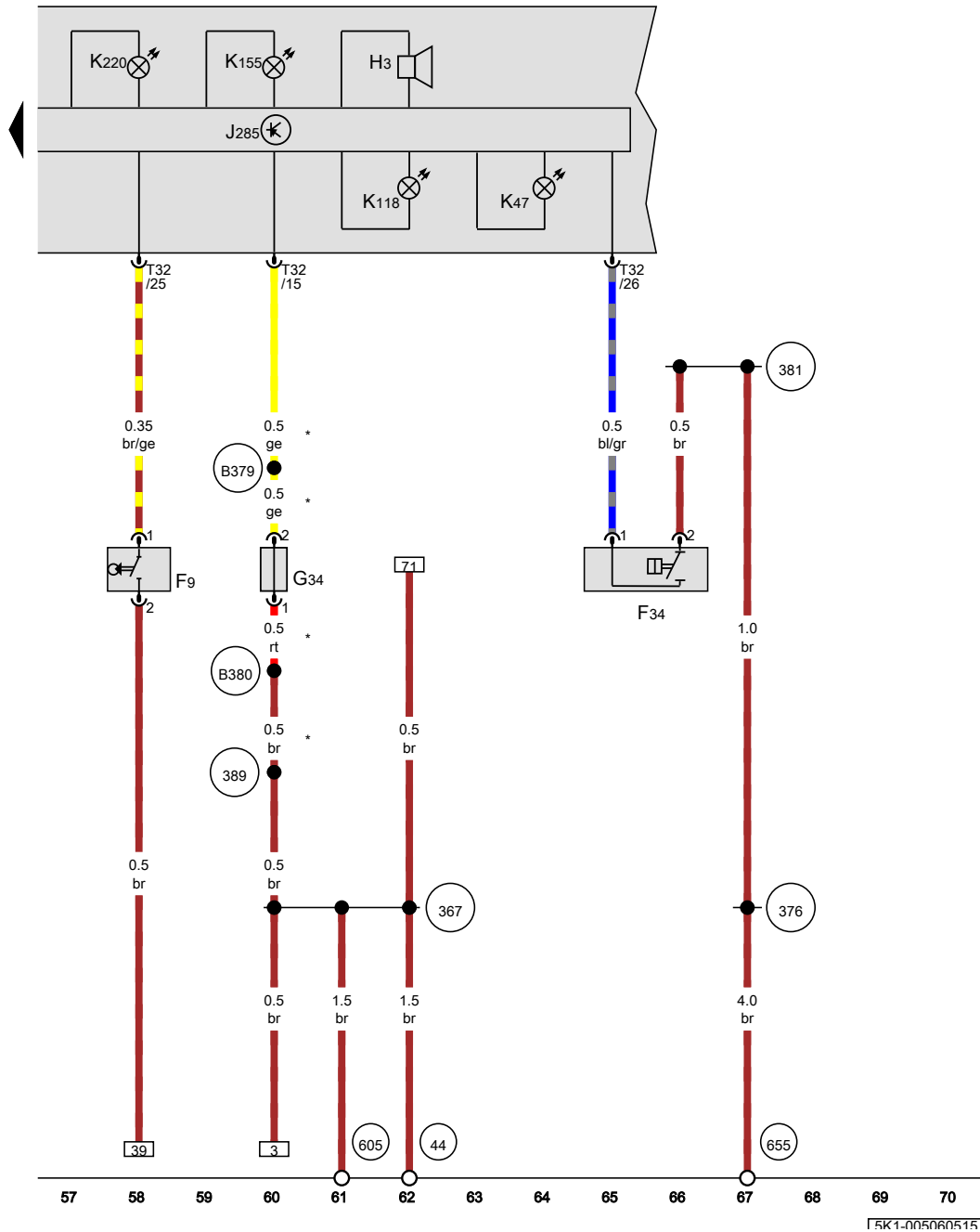


- F Brake lamp switch
- J285 Instrument cluster control module
- J519 Vehicle electrical control module system
- J533 Data bus on board diagnostic interface, in the left footwell, near the center console
- J623 Engine control module
- T4bc 4-pin connector
- T16 16-pin connector
- T20 20-pin connector
- T32 32-pin connector
- T52b 52-pin connector
- T52c 52-pin connector
- U31 Diagnostic connection

- (B131) Connection 54 (in interior wiring harness)
- (B340) Connection 58d (in main wiring harness) 1
- (B383) Powertrain CAN bus high connection 1 (in main wiring harness)
- (B390) Powertrain CAN bus low connection 1 (in main wiring harness)
- (B397) Comfort system CAN bus high connection 1 (in main wiring harness)
- (B398) Comfort system CAN bus high connection 2 (in main wiring harness)
- (B406) Comfort system CAN bus low connection 1 (in main wiring harness)
- (B407) Comfort system CAN bus low connection 2 (in main wiring harness)
- \* Only for vehicles with tire pressure monitoring



15K1-005050515



Brake fluid level warning switch, Left front brake pad wear sensor, Warning buzzer and tone, Instrument cluster control module, ABS indicator lamp, Brake system indicator lamp, ASR/ESP indicator lamp, Tire pressure monitoring display indicator lamp

- F9 Parking brake indicator lamp switch
- F34 Brake fluid level warning switch
- G34 Left front brake pad wear sensor
- H3 Warning buzzer and tone
- J285 Instrument cluster control module
- K47 ABS indicator lamp
- K118 Brake system indicator lamp
- K155 ASR/ESP indicator lamp
- K220 Tire pressure monitoring display indicator lamp
- T32 32-pin connector

- 44 Ground connection on A-pillar, lower left
- 367 Ground connection 2 (in main wiring harness)
- 376 Ground connection 11 (in main wiring harness)
- 381 Ground connection 16 (in main wiring harness)
- 389 Ground connection 24 (in main wiring harness)
- 605 Ground connection on upper steering column
- 655 Ground connection on left headlamp
- B379 Brake wear indicator connection 1 (in main wiring harness)
- B380 Brake wear indicator connection 2 (in main wiring harness)

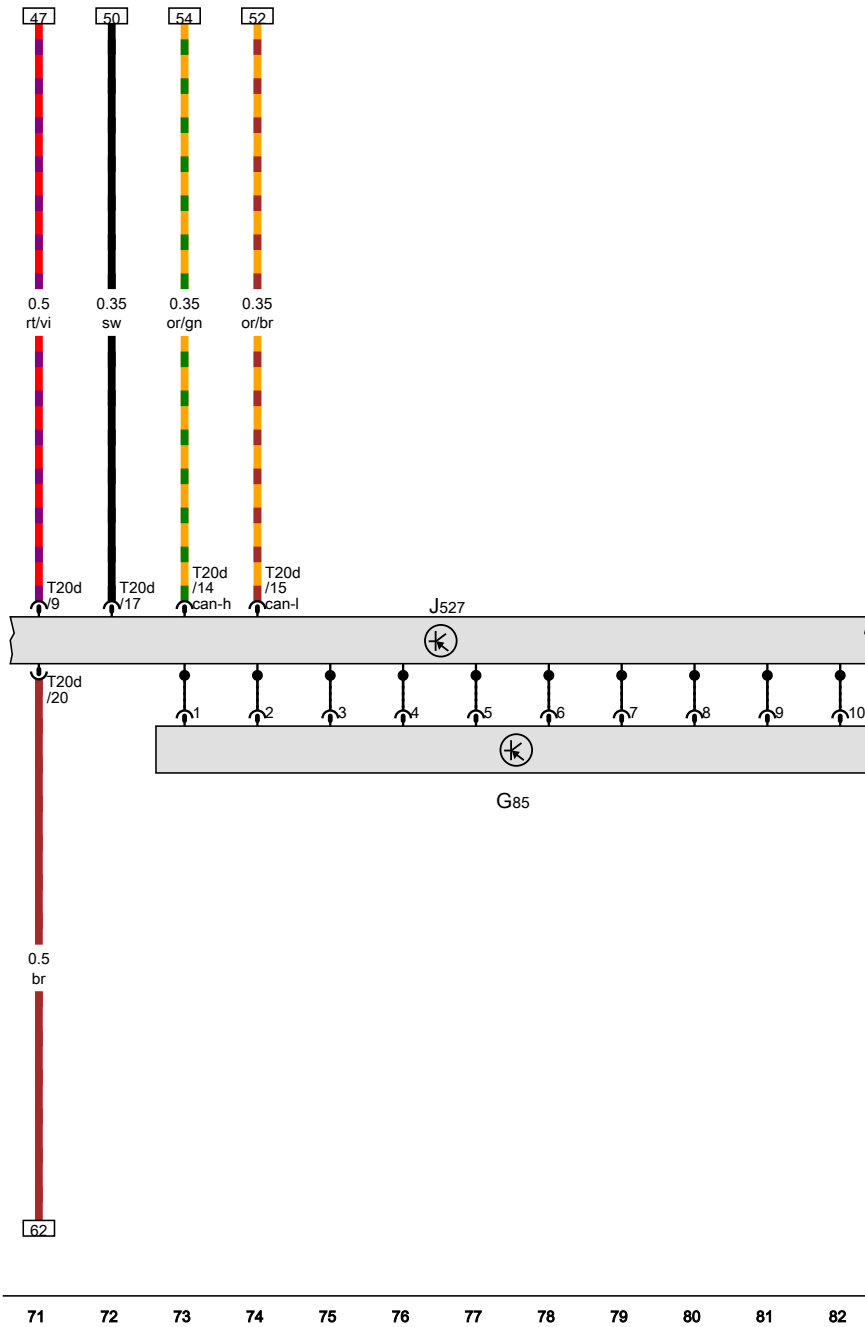
\* Only for vehicles with brake pad wear indicator

- ws = white
- sw = black
- ro = red
- rt = red
- br = brown
- gn = green
- bl = blue
- gr = grey
- li = lilac
- vi = lilac
- ge = yellow
- or = orange
- rs = pink

15K1-0050605151

Steering angle sensor, Steering column electronics control module

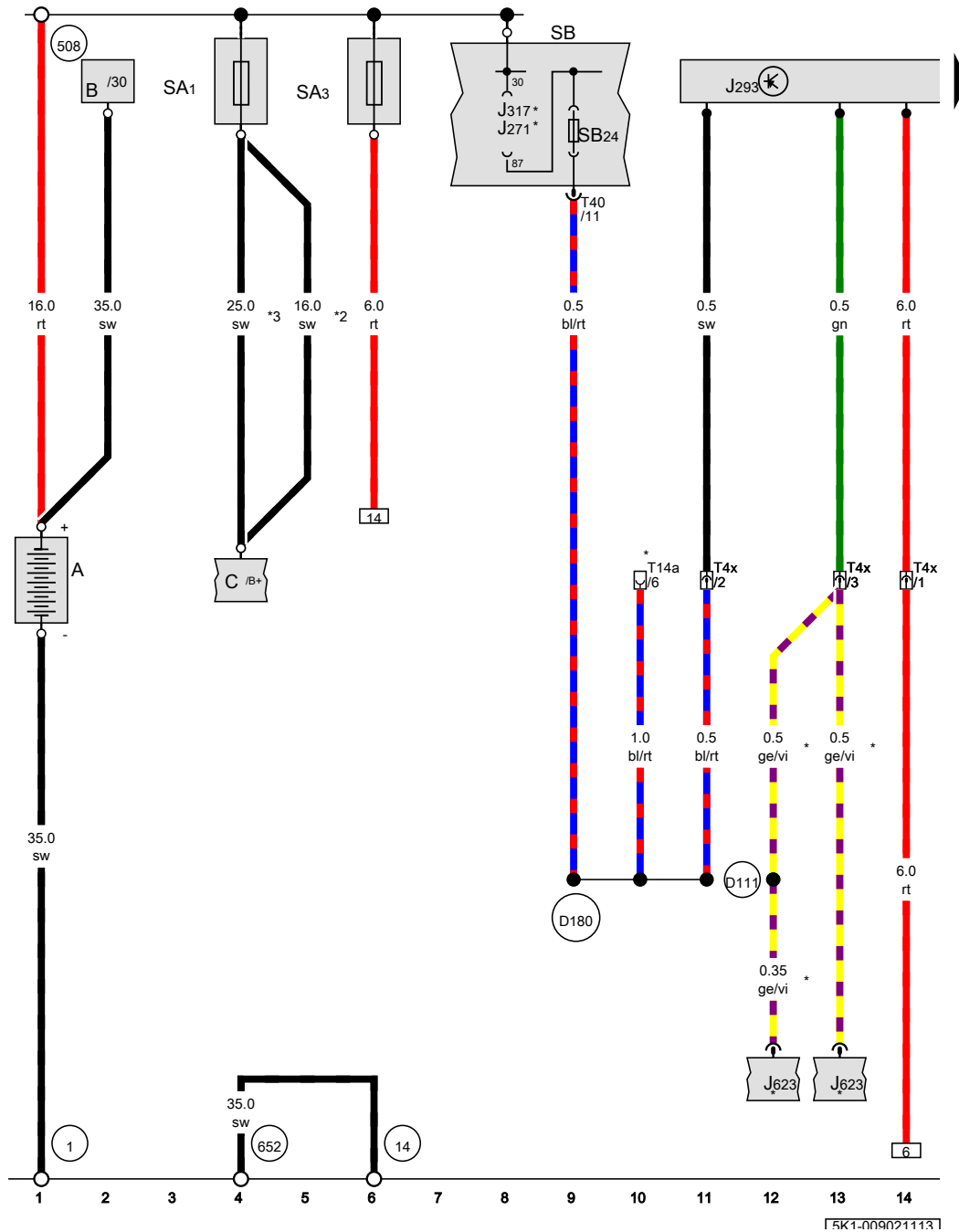
- G85 Steering angle sensor
- J527 Steering column electronics control module
- T20d 20-pin connector



- ws = white
- sw = black
- ro = red
- rt = red
- br = brown
- gn = green
- bl = blue
- gr = grey
- li = lilac
- vi = lilac
- ge = yellow
- or = orange
- rs = pink

[5K1-005070515]

**Coolant fan**  
from July 2008



**Battery, Motronic engine control module power supply relay, Coolant fan control module, Terminal 30 power supply relay, Fuse 1 (on fuse panel A), Fuse 3 (on fuse panel A), Fuse panel B**

- A Battery
- B Starter
- C Generator
- J271 Motronic engine control module power supply relay, on the E-box in the engine compartment
- J293 Coolant fan control module
- J317 Terminal 30 power supply relay, on the E-box in the engine compartment
- J623 Engine control module
- SA1 Fuse 1 (on fuse panel A)
- SA3 Fuse 3 (on fuse panel A)
- SB Fuse panel B
- SB24 Fuse 24 (on fuse panel B)
- T4x 4-pin connector
- T14a 14-pin connector
- T40 40-pin connector

- 1 Ground strap, battery to body
- 14 Ground connection on transmission
- 508 Terminal 30 threaded connection (on E-box)
- 652 Transmission/engine ground connection
- D111 Connection 9 (in engine compartment wiring harness)
- D180 Connection 87a (in engine compartment wiring harness)

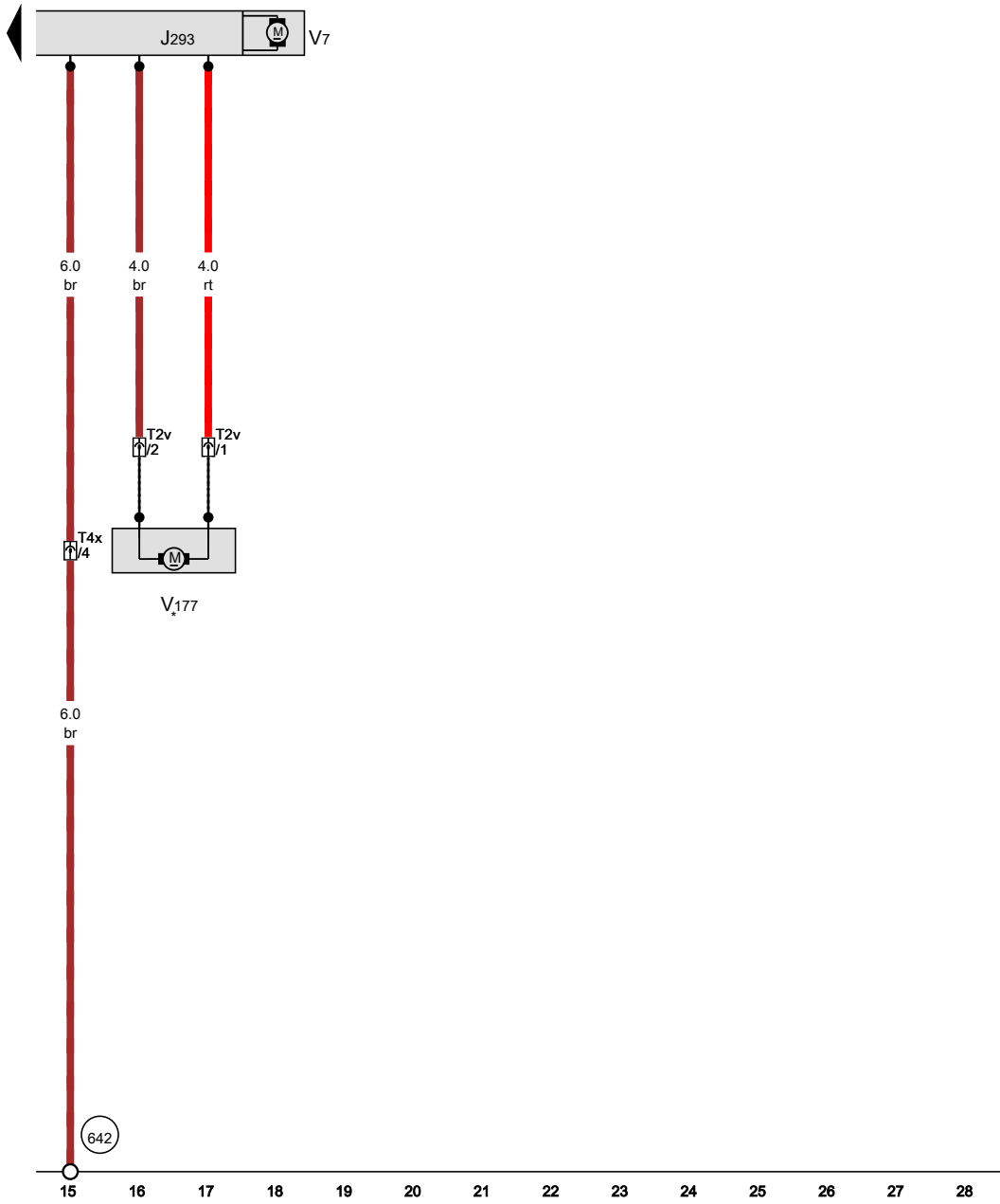
\* Refer to applicable engine wiring diagram  
 \*2 Only for vehicles with 90 A/120 A generator  
 \*3 Only for vehicles with a generator (140 A)

- ws = white
- sw = black
- ro = red
- rt = red
- br = brown
- gn = green
- bl = blue
- gr = grey
- li = lilac
- vi = lilac
- ge = yellow
- or = orange
- rs = pink

15K1-009021113

Coolant fan control module, Coolant fan, Coolant fan 2

- J293 Coolant fan control module
- T2v Double connector
- T4x 4-pin connector
- V7 Coolant fan
- V177 Coolant fan 2
- 642 Electronic fan control ground connection
- \* Only for vehicles with increased fan output



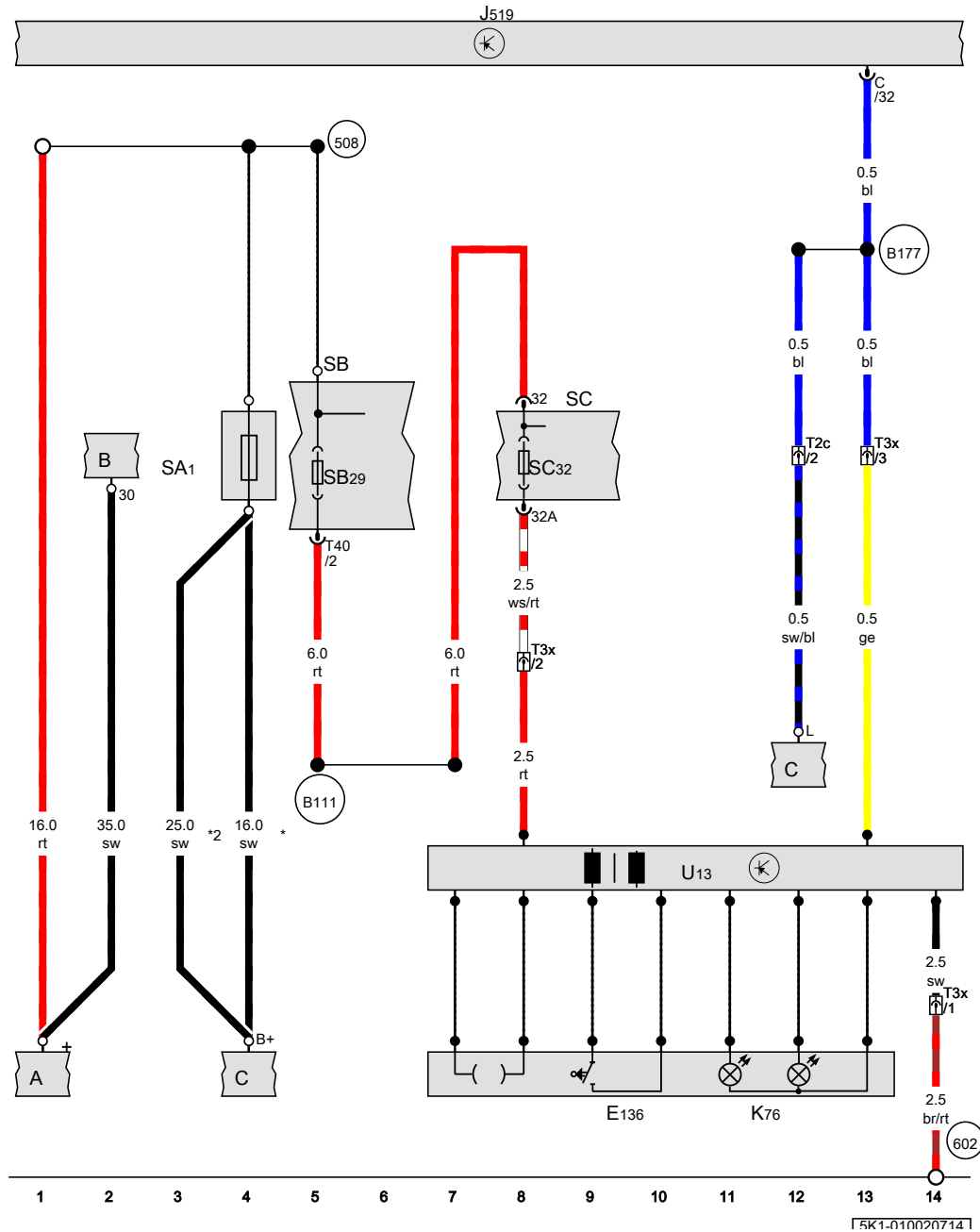
- ws = white
- sw = black
- ro = red
- rt = red
- br = brown
- gn = green
- bl = blue
- gr = grey
- li = lilac
- vi = lilac
- ge = yellow
- or = orange
- rs = pink

15K1-009031113



**Power socket 230V**

from July 2008



Inverter switch, Vehicle electrical system control module, Socket indicator lamp, Fuse 1 (on fuse panel A), Fuse panel B, Fuse panel C, Converter with socket, 12 V-230 V

- A Battery
- B Starter
- C Generator
- E136 Inverter switch
- J519 Vehicle electrical system control module
- K76 Socket indicator lamp
- SA1 Fuse 1 (on fuse panel A)
- SB Fuse panel B
- SB29 Fuse 29 (on fuse panel B)
- SC Fuse panel C
- SC32 Fuse 32 (on fuse panel C)
- T2c Double connector
- T3x 3-pin connector
- T40 40-pin connector
- U13 Converter with socket, 12 V-230 V

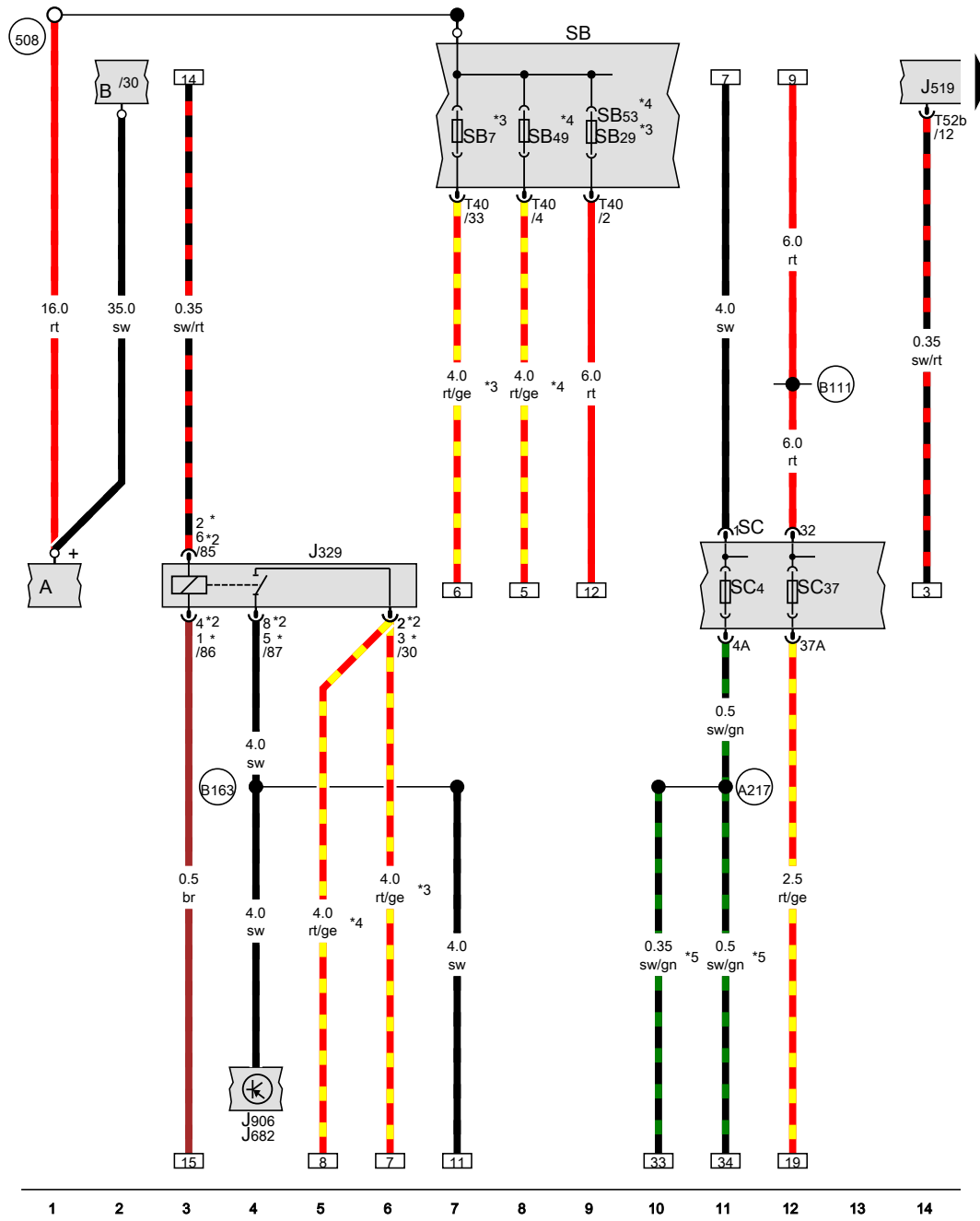
- 508 Terminal 30 threaded connection (on E-box)
- 602 Ground connection in left front footwell
- B111 Positive connection 1 (30a) (in interior wiring harness)
- B177 Connection 61 (in interior wiring harness)
- \* Only for vehicles with 90 A/120 A generator
- \*2 Only for vehicles with a generator (140 A)

- ws = white
- sw = black
- ro = red
- rt = red
- br = brown
- gn = green
- bl = blue
- gr = grey
- li = lilac
- vi = lilac
- ge = yellow
- or = orange
- rs = pink

Г5К1-0100207141

**Seats, heated , (4A3)**

from July 2008



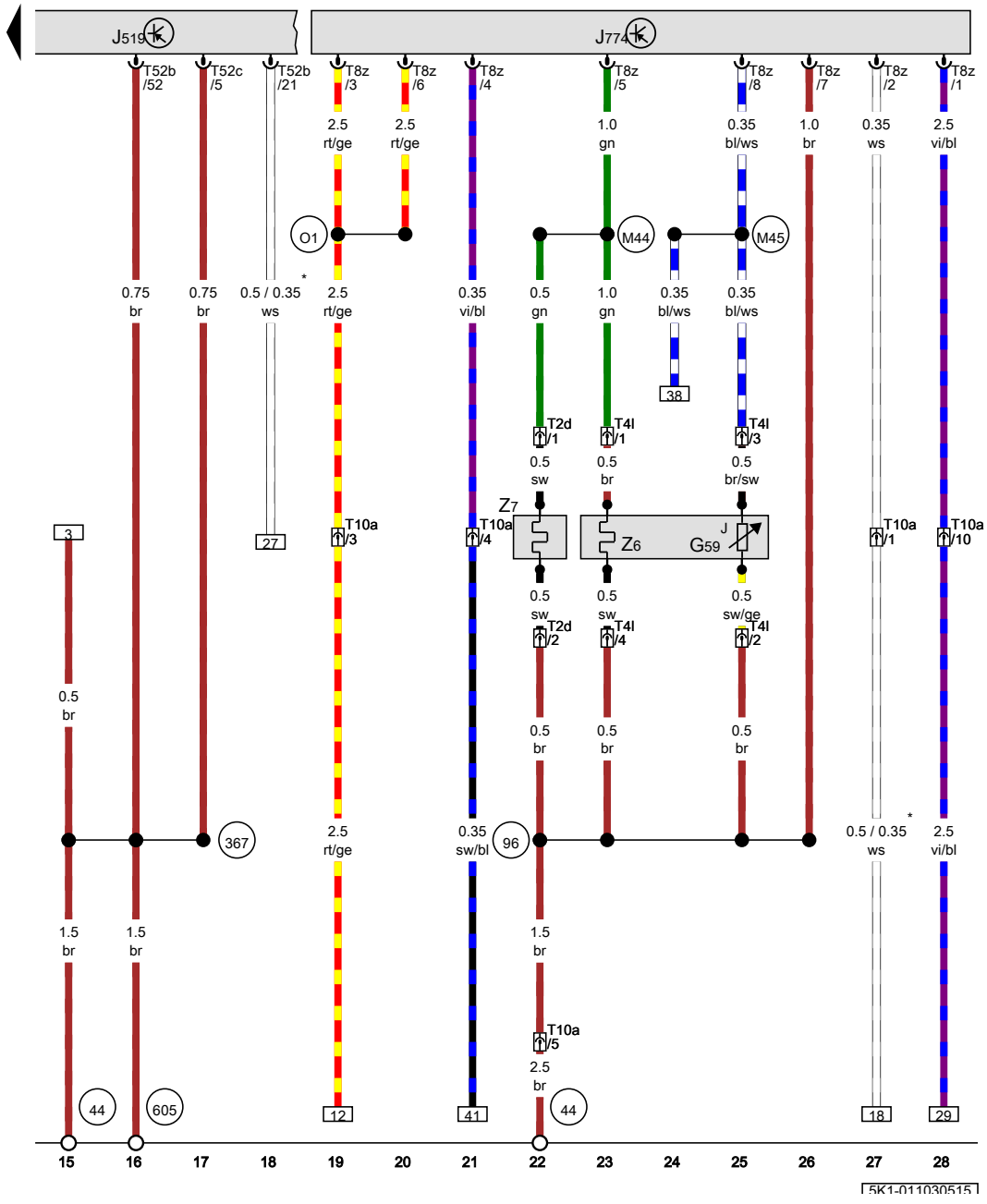
Terminal 15 power supply relay, Vehicle electrical control module system, Fuse panel B, Fuse panel C

- A Battery
- B Starter
- J329 Terminal 15 power supply relay
- J519 Vehicle electrical control module system
- J682 Terminal 50 power supply relay
- J906 Starter relay 1
- SB Fuse panel B
- SC Fuse panel C
- SC4 Fuse 4 (on fuse panel C)
- SB7 Fuse 7 (on fuse panel B)
- SB29 Fuse 29 (on fuse panel B)
- SC37 Fuse 37 (on fuse panel C)
- SB49 Fuse 49 (on fuse panel B)
- SB53 Fuse 53 (on fuse panel B)
- T40 40-pin connector
- T52b 52-pin connector

- 508 Terminal 30 threaded connection (on E-box)
- A217 Positive connection 8 (15a) (in instrument panel wiring harness)
- B111 Positive connection 1 (30a) (in interior wiring harness)
- B163 Positive connection 1 (15) (in interior wiring harness)
- \* from November 2009
- \*2 Through October 2009
- \*3 E-Box low
- \*4 E-Box high
- \*5 Only for vehicles without an A/C system

- ws = white
- sw = black
- ro = red
- rt = red
- br = brown
- gn = green
- bl = blue
- gr = grey
- li = lilac
- vi = lilac
- ge = yellow
- or = orange
- rs = pink

15K1-011020515



Heated driver seat temperature sensor, Vehicle electrical control module system, Front seat heating control module, Driver seat heating element, Driver backrest heating element

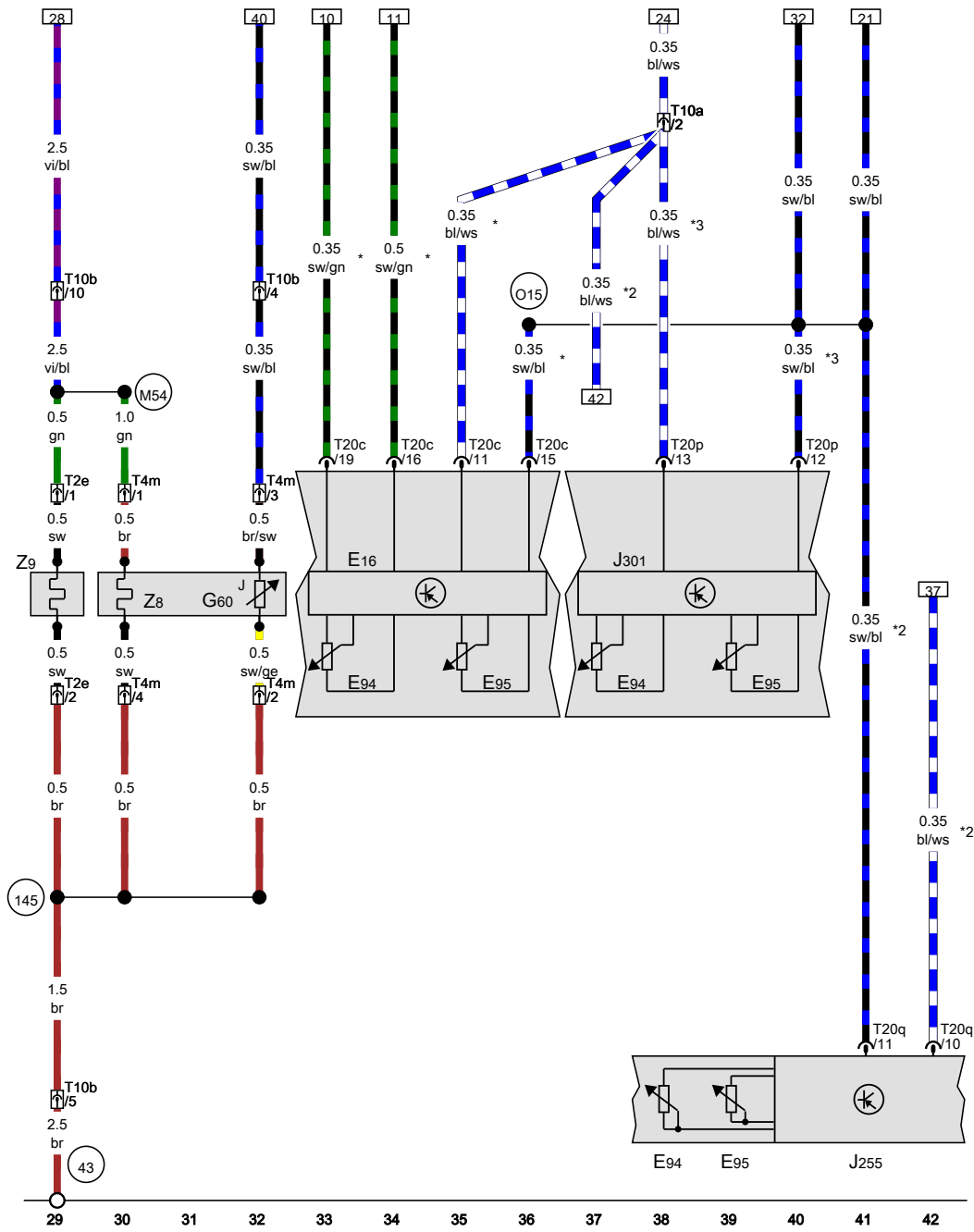
- G59 Heated driver seat temperature sensor
- J519 Vehicle electrical control module system
- J774 Front seat heating control module, under the driver seat
- T2d Double connector, under the driver seat
- T41 4-pin connector, under the driver seat
- T8z 8-pin connector
- T10a 10-pin connector, under the driver seat
- T52b 52-pin connector
- T52c 52-pin connector
- Z6 Driver seat heating element
- Z7 Driver backrest heating element

- 44 Ground connection on A-pillar, lower left
- 96 Ground connection 1 (in heated seats wiring harness)
- 367 Ground connection 2 (in main wiring harness)
- 605 Ground connection on upper steering column
- M44 Connection 4 (in driver seat wiring harness)
- M45 Connection 5 (in driver seat wiring harness)
- O1 Positive connection (30) (in heated seats wiring harness)

\* from November 2010

- ws = white
- sw = black
- ro = red
- rt = red
- br = brown
- gn = green
- bl = blue
- gr = grey
- li = lilac
- vi = lilac
- ge = yellow
- or = orange
- rs = pink

15K1-011030515



**Heated driver seat adjuster, Heated front passenger seat adjuster, Front passenger heated seat temperature sensor, Front passenger seat heating element, Front passenger backrest heating element**

- E16 Heater/heat output switch
- E94 Heated driver seat adjuster
- E95 Heated front passenger seat adjuster
- G60 Front passenger heated seat temperature sensor
- J255 Climatronic control module
- J301 A/C control module
- T2e Double connector, under the front passenger seat
- T4m 4-pin connector, under the front passenger seat
- T10a 10-pin connector, under the driver seat
- T10b 10-pin connector, under the front passenger seat
- T20c 20-pin connector
- T20p 20-pin connector
- T20q 20-pin connector
- Z8 Front passenger seat heating element
- Z9 Front passenger backrest heating element

- 43 Ground connection on A-pillar, lower right
- 145 Ground connection 3 (in heated seats wiring harness)
- M54 Connection 4 (in front passenger seat wiring harness)
- O15 Connection 4 (in heated seats wiring harness)

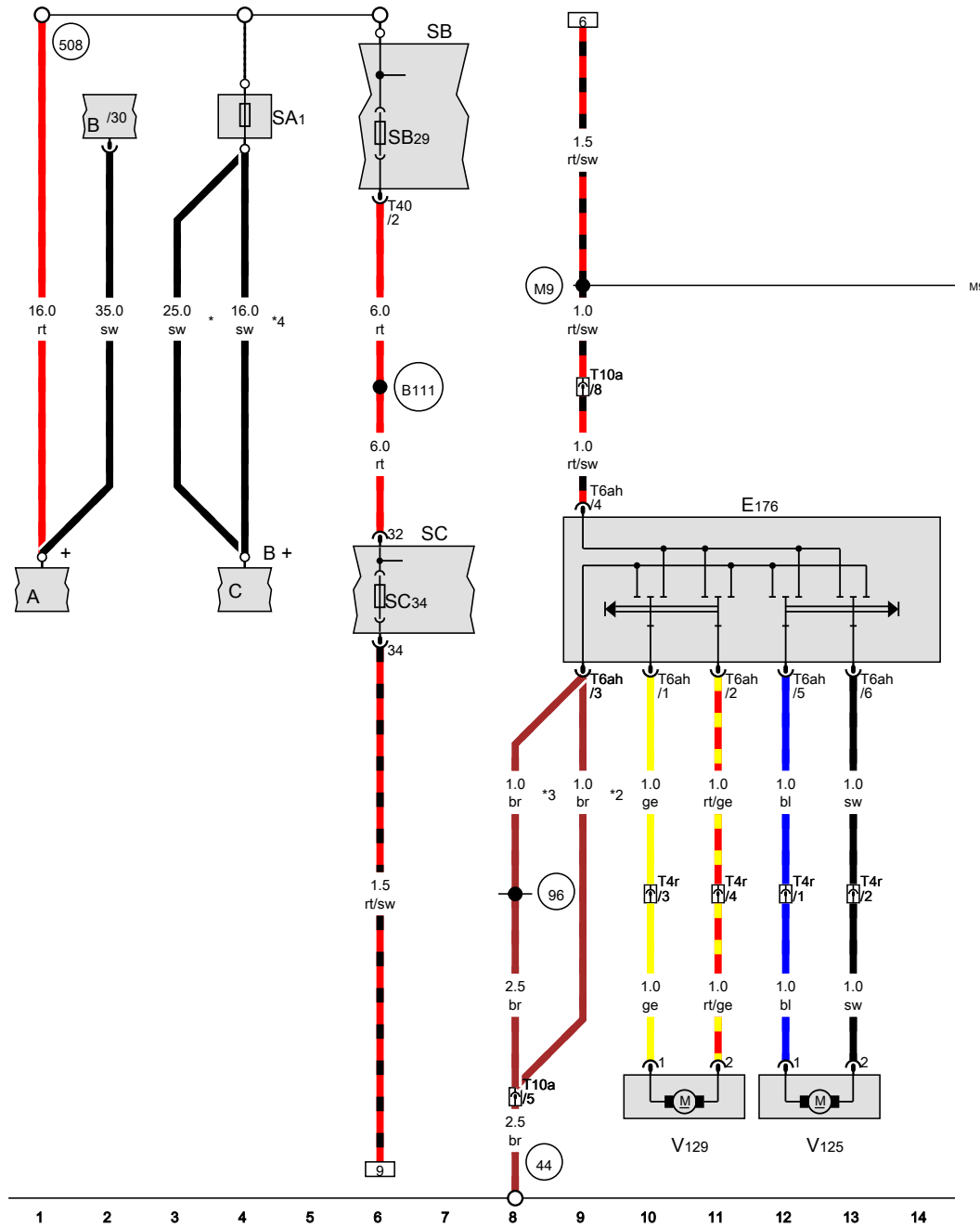
- \* Only for vehicles without an A/C system
- \*2 Only for vehicles with Climatronic
- \*3 Only for vehicles with Climatic

- ws = white
- sw = black
- ro = red
- rt = red
- br = brown
- gn = green
- bl = blue
- gr = grey
- li = lilac
- vi = lilac
- ge = yellow
- or = orange
- rs = pink

15K1-011040515

## Lumbar support adjustment, without power seat adjustment

from July 2008



Driver seat lumbar support adjustment switch, Fuse panel B, Fuse panel C, Driver seat lumbar support height adjustment motor

- A Battery
- B Starter
- C Generator
- E176 Driver seat lumbar support adjustment switch
- SA1 Fuse 1 (on fuse panel A)
- SB Fuse panel B
- SB29 Fuse 29 (on fuse panel B)
- SC Fuse panel C
- SC34 Fuse 34 (on fuse panel C)
- T4r 4-pin connector
- T6ah 6-pin connector
- T10a 10-pin connector, under the driver seat
- T40 40-pin connector
- V125 Driver seat lumbar support curvature adjustment motor
- V129 Driver seat lumbar support height adjustment motor

- 44 Ground connection on A-pillar, lower left
- 96 Ground connection 1 (in heated seats wiring harness)
- 508 Terminal 30 threaded connection (on E-box)
- B111 Positive connection 1 (30a) (in interior wiring harness)
- M9 Connection (in seat adjustment wiring harness)

- \* Only for vehicles with a generator (140 A)
- \*2 Only for vehicles without heated seats
- \*3 Only for vehicles with an auxiliary heater
- \*4 Depending on equipment

- ws = white
- sw = black
- ro = red
- rt = red
- br = brown
- gn = green
- bl = blue
- gr = grey
- li = lilac
- vi = lilac
- ge = yellow
- or = orange
- rs = pink

15K1-012021113

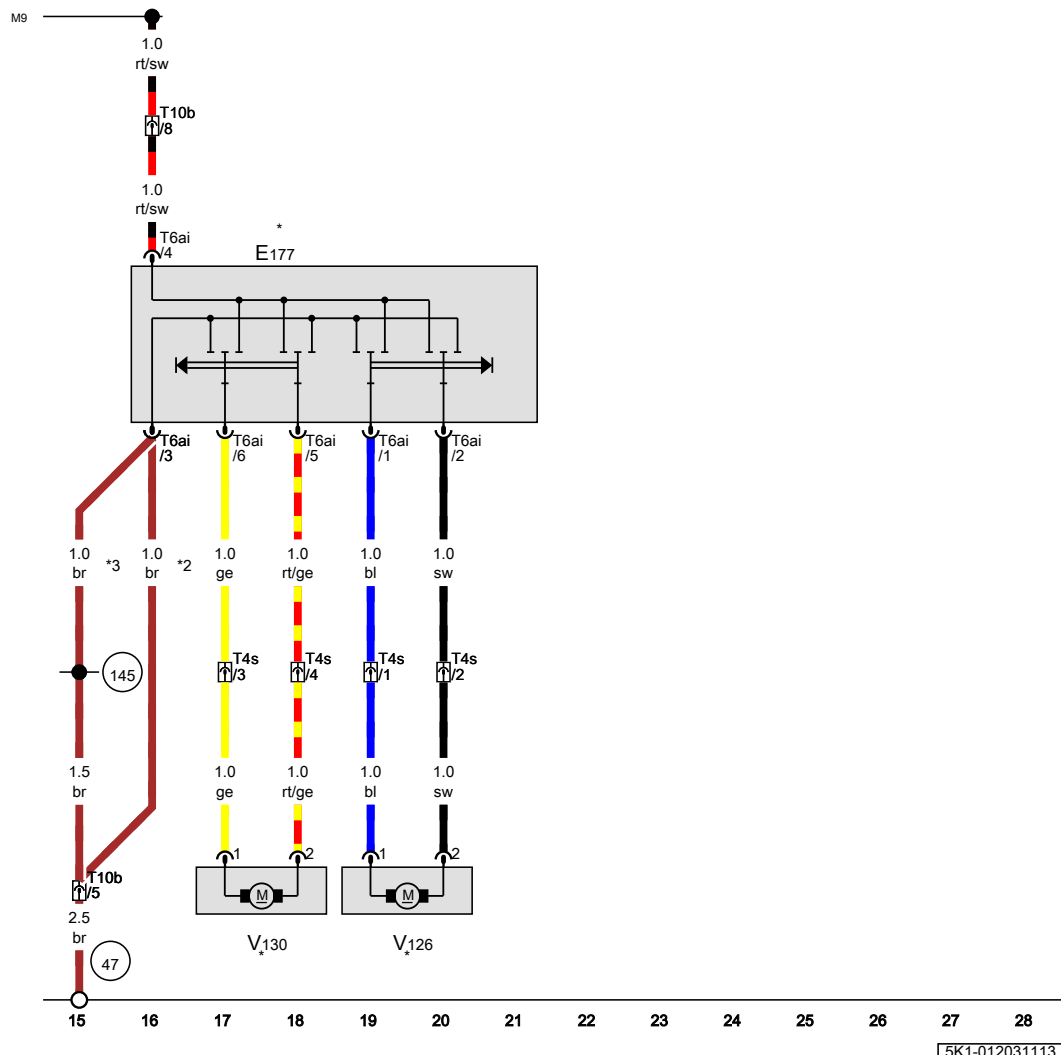


**Front passenger seat lumbar support adjustment switch,  
Front passenger seat lumbar support curvature adjustment  
motor, Front passenger seat lumbar support height  
adjustment motor**

- E177 Front passenger seat lumbar support adjustment switch
- T4s 4-pin connector, under the front passenger seat
- T6ai 6-pin connector
- T10b 10-pin connector, under the front passenger seat
- V126 Front passenger seat lumbar support curvature adjustment motor
- V130 Front passenger seat lumbar support height adjustment motor

- 47 Ground connection in right front footwell
- 145 Ground connection 3 (in heated seats wiring harness)
- M9 Connection (in seat adjustment wiring harness)

- \* Depending on equipment
- \*2 Only for vehicles without heated seats
- \*3 Only for vehicles with an auxiliary heater

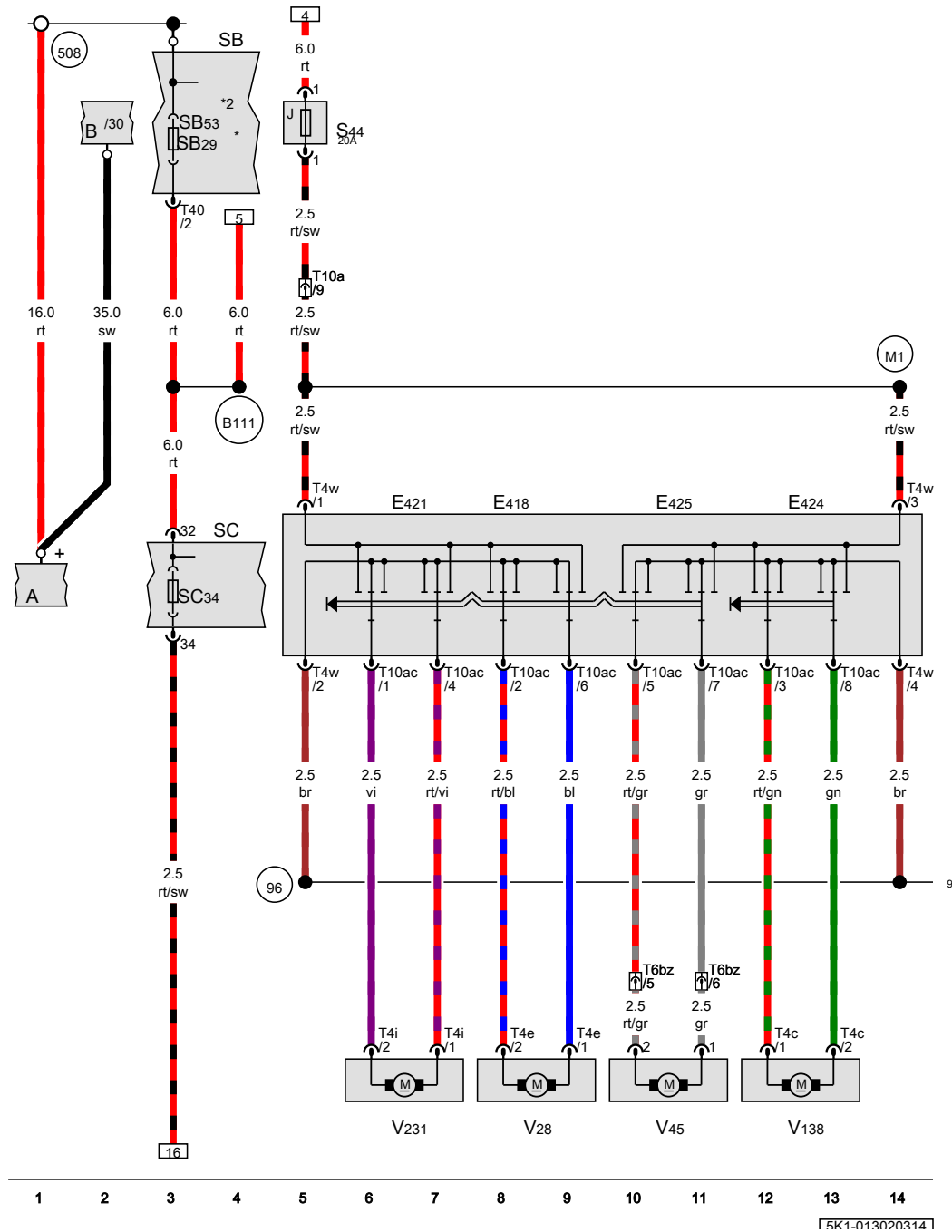


- ws = white
- sw = black
- ro = red
- rt = red
- br = brown
- gn = green
- bl = blue
- gr = grey
- li = lilac
- vi = lilac
- ge = yellow
- or = orange
- rs = pink

15K1-012031113

## Seat lumbar adjustment with power seats

from August 2010



Seat forward/back adjustment button, Angle adjustment button, Seat height adjustment button, Backrest adjustment button, Fuse panel B, Driver power seat adjustment circuit breaker 1, Fuse panel C, Driver seat forward/back adjustment motor, Driver backrest adjustment motor, Driver seat height adjustment motor, Seat angle adjustment motor

- A Battery
- B Starter
- E418 Seat forward/back adjustment button
- E421 Angle adjustment button
- E424 Seat height adjustment button
- E425 Backrest adjustment button
- SB Fuse panel B
- SB29 Fuse 29 (on fuse panel B)
- S44 Driver power seat adjustment circuit breaker 1
- SB53 Fuse 53 (on fuse panel B)
- SC Fuse panel C
- SC34 Fuse 34 (on fuse panel C)
- T4c 4-pin connector
- T4e 4-pin connector
- T4i 4-pin connector
- T4w 4-pin connector
- T6bz 6-pin connector, under the driver seat
- T10a 10-pin connector, under the driver seat
- T10ac 10-pin connector
- T40 40-pin connector
- V28 Driver seat forward/back adjustment motor
- V45 Driver backrest adjustment motor
- V138 Driver seat height adjustment motor
- V231 Seat angle adjustment motor
- 96 Ground connection 1 (in heated seats wiring harness)
- 508 Terminal 30 threaded connection (on E-box)
- B111 Positive connection 1 (30a) (in interior wiring harness)
- M1 Positive connection 1 (30) (in seat adjustment wiring harness)
- \* E-Box low
- \*2 E-Box high

- ws = white
- sw = black
- ro = red
- rt = red
- br = brown
- gn = green
- bl = blue
- gr = grey
- li = lilac
- vi = lilac
- ge = yellow
- or = orange
- rs = pink

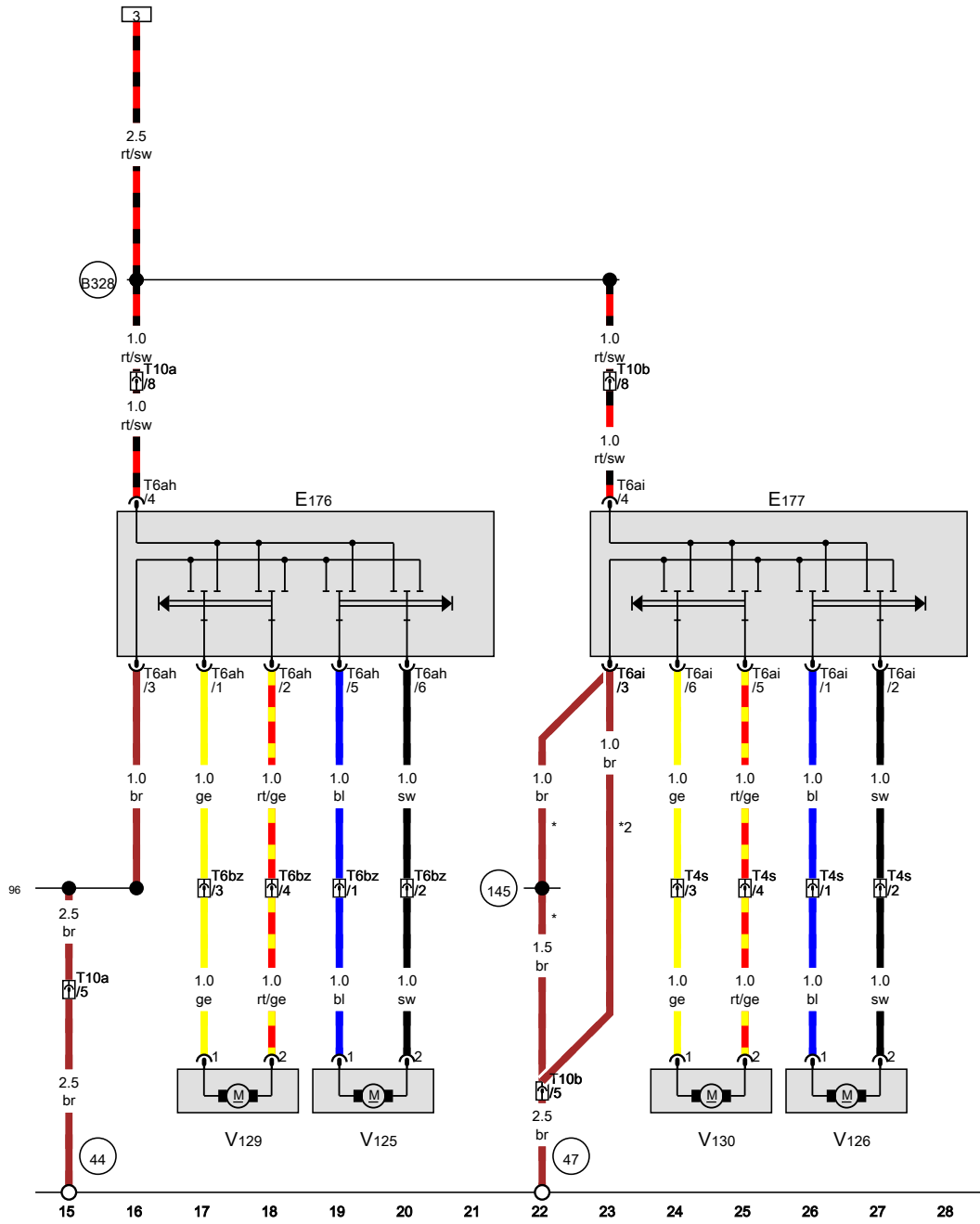
Г5К1-0130203141

Driver seat lumbar support adjustment switch, Front passenger seat lumbar support adjustment switch, Front passenger seat lumbar support curvature adjustment motor, Driver seat lumbar support height adjustment motor, Front passenger seat lumbar support height adjustment motor

- E176 Driver seat lumbar support adjustment switch
- E177 Front passenger seat lumbar support adjustment switch
- T4s 4-pin connector, under the front passenger seat
- T6ah 6-pin connector
- T6ai 6-pin connector
- T6bz 6-pin connector, under the driver seat
- T10a 10-pin connector, under the driver seat
- T10b 10-pin connector, under the front passenger seat
- V125 Driver seat lumbar support curvature adjustment motor
- V126 Front passenger seat lumbar support curvature adjustment motor
- V129 Driver seat lumbar support height adjustment motor
- V130 Front passenger seat lumbar support height adjustment motor

- 44 Ground connection on A-pillar, lower left
- 47 Ground connection in right front footwell
- 96 Ground connection 1 (in heated seats wiring harness)
- 145 Ground connection 3 (in heated seats wiring harness)
- B328 Positive connection 14 (30a) (in main wiring harness)
- \* Only for vehicles with an auxiliary heater
- \*2 Only for vehicles without heated seats

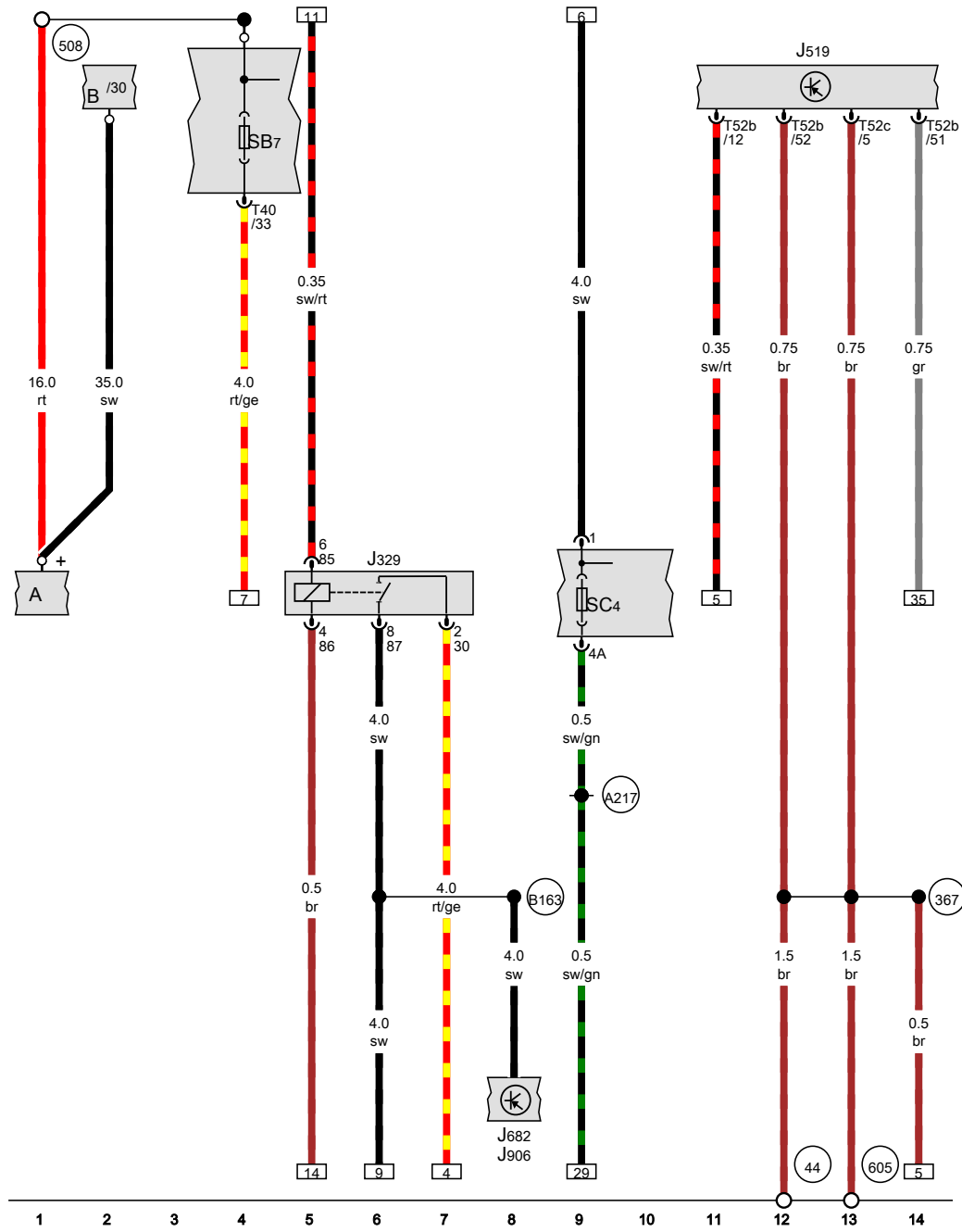
- ws = white
- sw = black
- ro = red
- rt = red
- br = brown
- gn = green
- bl = blue
- gr = grey
- li = lilac
- vi = lilac
- ge = yellow
- or = orange
- rs = pink



15K1-013030314

**Parking distance control without parallel parking assistance (park assist) , (7X1),(7X2)**

from July 2008



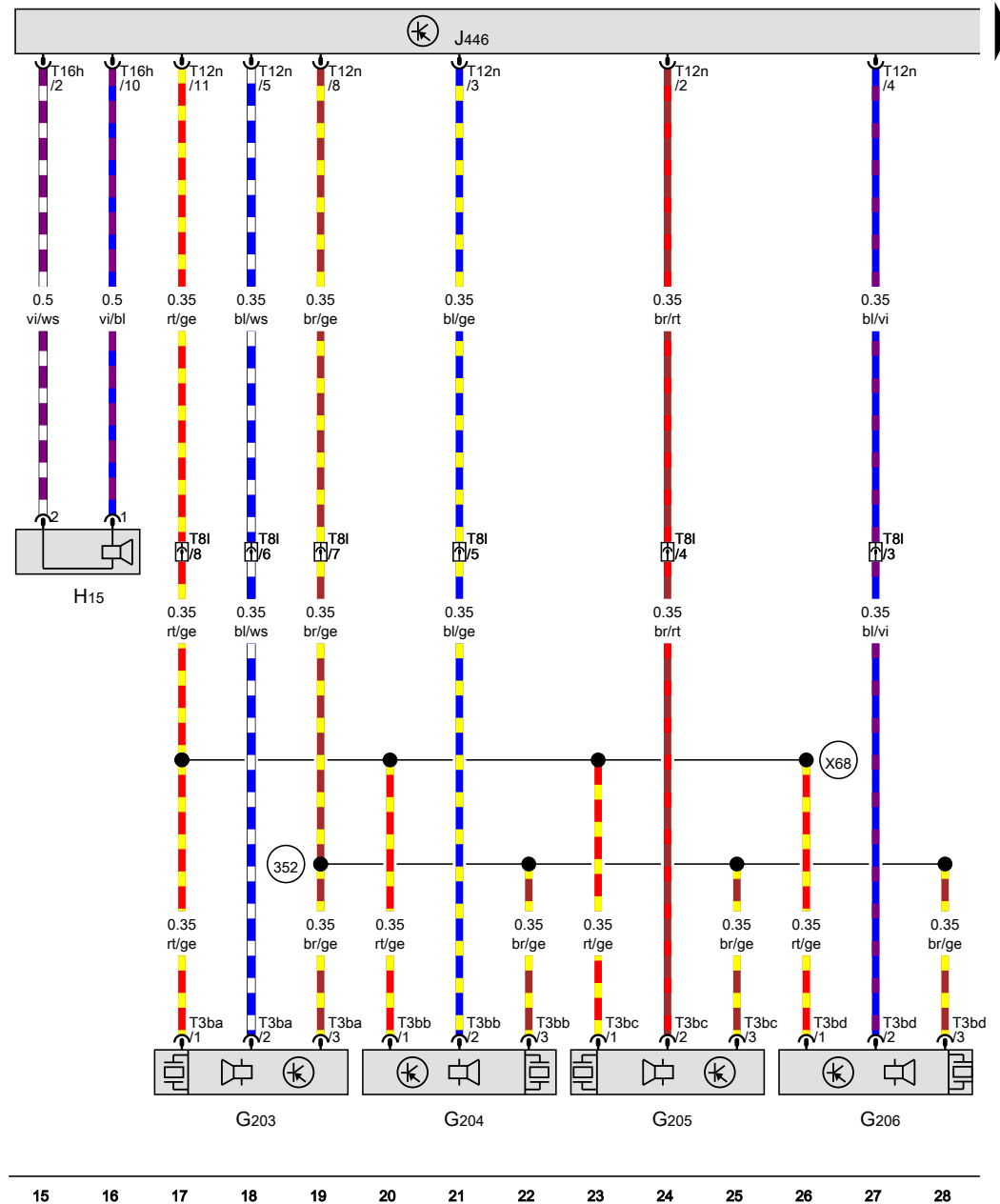
Terminal 15 power supply relay, Fuse 4 (on fuse panel C), Fuse 7 (on fuse panel B)

- A Battery
- B Starter
- J329 Terminal 15 power supply relay
- J519 Vehicle electrical control module system
- J682 Terminal 50 power supply relay
- J906 Starter relay 1
- SC4 Fuse 4 (on fuse panel C)
- SB7 Fuse 7 (on fuse panel B)
- T40 40-pin connector
- T52b 52-pin connector
- T52c 52-pin connector

- 44 Ground connection on A-pillar, lower left
- 367 Ground connection 2 (in main wiring harness)
- 508 Terminal 30 threaded connection (on E-box)
- 605 Ground connection on upper steering column
- A217 Positive connection 8 (15a) (in instrument panel wiring harness)
- B163 Positive connection 1 (15) (in interior wiring harness)

- ws = white
- sw = black
- ro = red
- rt = red
- br = brown
- gn = green
- bl = blue
- gr = grey
- li = lilac
- vi = lilac
- ge = yellow
- or = orange
- rs = pink

15K1-014020515



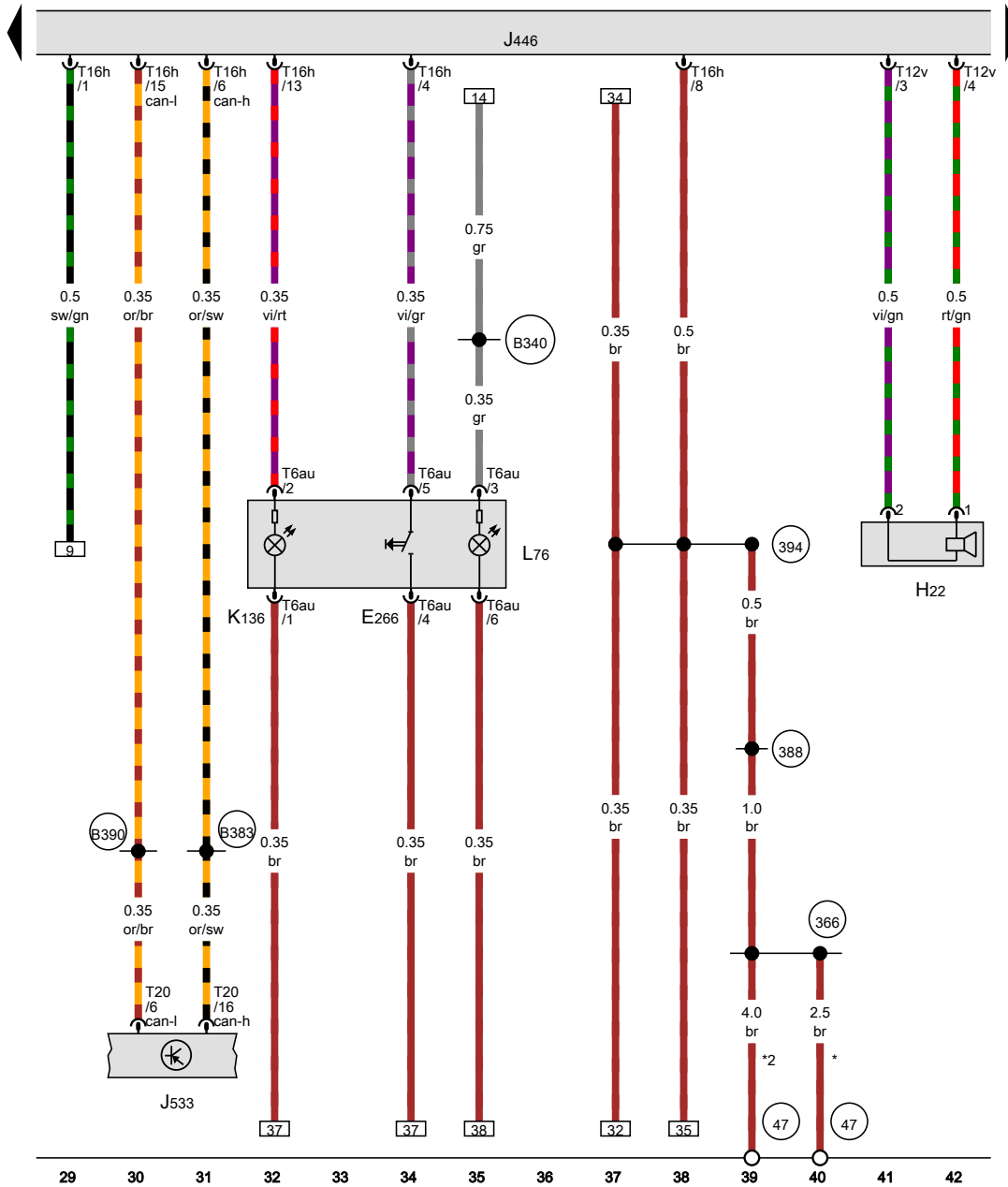
Left rear parking aid sensor, Left rear center parking aid sensor, Right rear center parking aid sensor, Right rear parking aid sensor, Rear parking aid warning buzzer, Parking aid control module

- G203 Left rear parking aid sensor
- G204 Left rear center parking aid sensor
- G205 Right rear center parking aid sensor
- G206 Right rear parking aid sensor
- H15 Rear parking aid warning buzzer
- J446 Parking aid control module, behind the instrument panel, left
- T3ba 3-pin connector
- T3bb 3-pin connector
- T3bc 3-pin connector
- T3bd 3-pin connector
- T81 8-pin connector, behind the right rear bumper
- T12n 12-pin connector
- T16h 16-pin connector

- (352) Parking aid ground connection (in rear bumper wiring harness)
- (X68) Parking aid connection (in rear bumper wiring harness)

- ws = white
- sw = black
- ro = red
- rt = red
- br = brown
- gn = green
- bl = blue
- gr = grey
- li = lilac
- vi = lilac
- ge = yellow
- or = orange
- rs = pink

15 16 17 18 19 20 21 22 23 24 25 26 27 28



**Parking aid button, Front parking aid warning buzzer, Parking aid control module, Data bus on board diagnostic interface**

- E266 Parking aid button
- H22 Front parking aid warning buzzer
- J446 Parking aid control module, behind the instrument panel, left
- J533 Data bus on board diagnostic interface, in the left footwell, near the center console
- K136 Parking aid indicator lamp
- L76 Push button illumination bulb
- T6au 6-pin connector
- T12v 12-pin connector
- T16h 16-pin connector
- T20 20-pin connector

- (47) Ground connection in right front footwell
- (366) Ground connection 1 (in main wiring harness)
- (388) Ground connection 23 (in main wiring harness)
- (394) Ground connection 29 (in main wiring harness)
- (B340) Connection 58d (in main wiring harness) 1
- (B383) Powertrain CAN bus high connection 1 (in main wiring harness)
- (B390) Powertrain CAN bus low connection 1 (in main wiring harness)
- \* Only for vehicles without Start/Stop system
- \*2 Only for vehicles with Start/Stop system

- ws = white
- sw = black
- ro = red
- rt = red
- br = brown
- gn = green
- bl = blue
- gr = grey
- li = lilac
- vi = lilac
- ge = yellow
- or = orange
- rs = pink

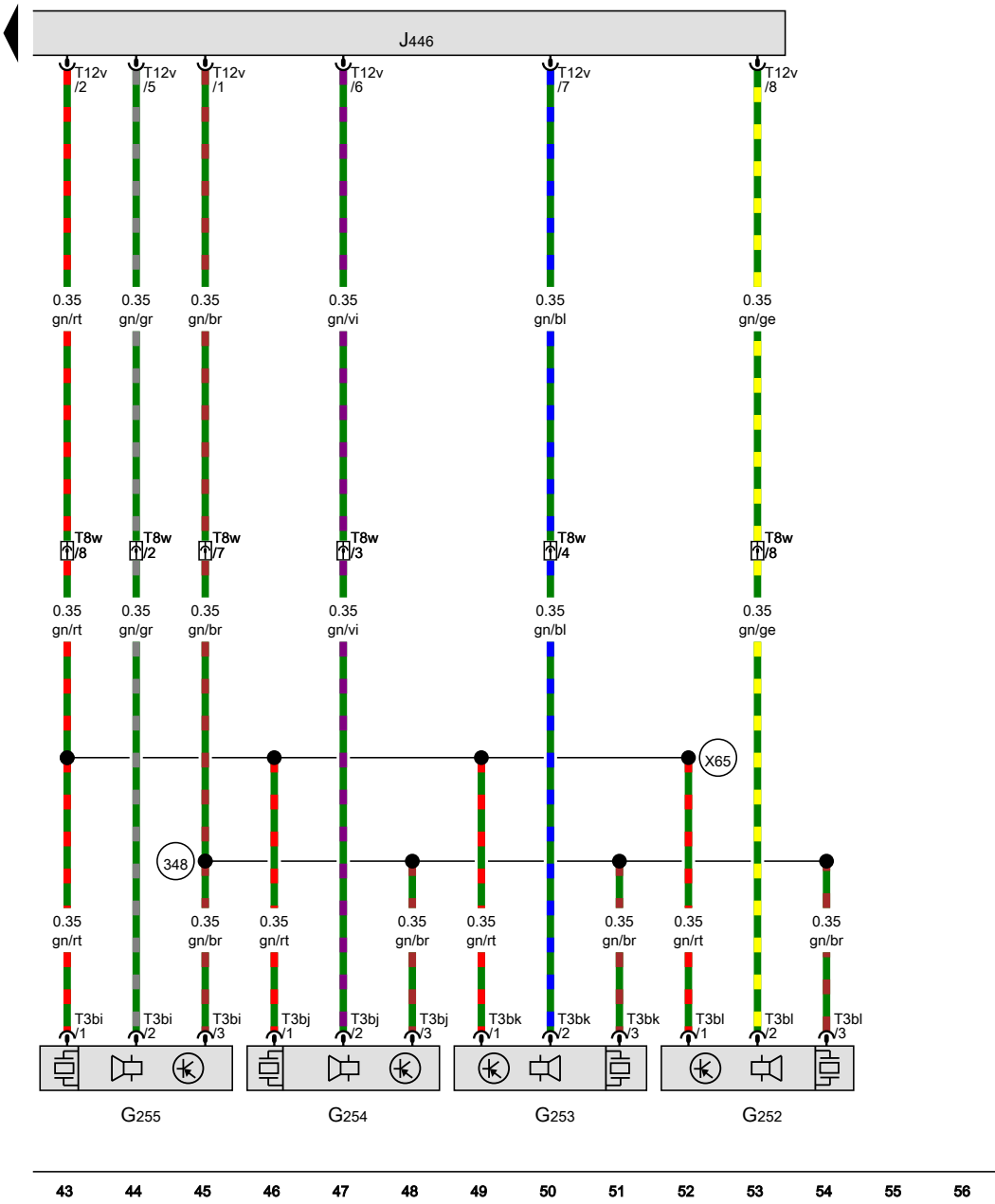
15K1-0140405151



Right front parking aid sensor, Right front center parking aid sensor, Left front center parking aid sensor, Left front parking aid sensor, Parking aid control module

- G252 Right front parking aid sensor
- G253 Right front center parking aid sensor
- G254 Left front center parking aid sensor
- G255 Left front parking aid sensor
- J446 Parking aid control module, behind the instrument panel, left
- T3bi 3-pin connector
- T3bj 3-pin connector
- T3bk 3-pin connector
- T3bl 3-pin connector
- T8w 8-pin connector, near the left headlamp
- T12v 12-pin connector

- 348 Parking aid ground connection (in front bumper wiring harness)
- X65 Parking aid connection (in front bumper wiring harness)

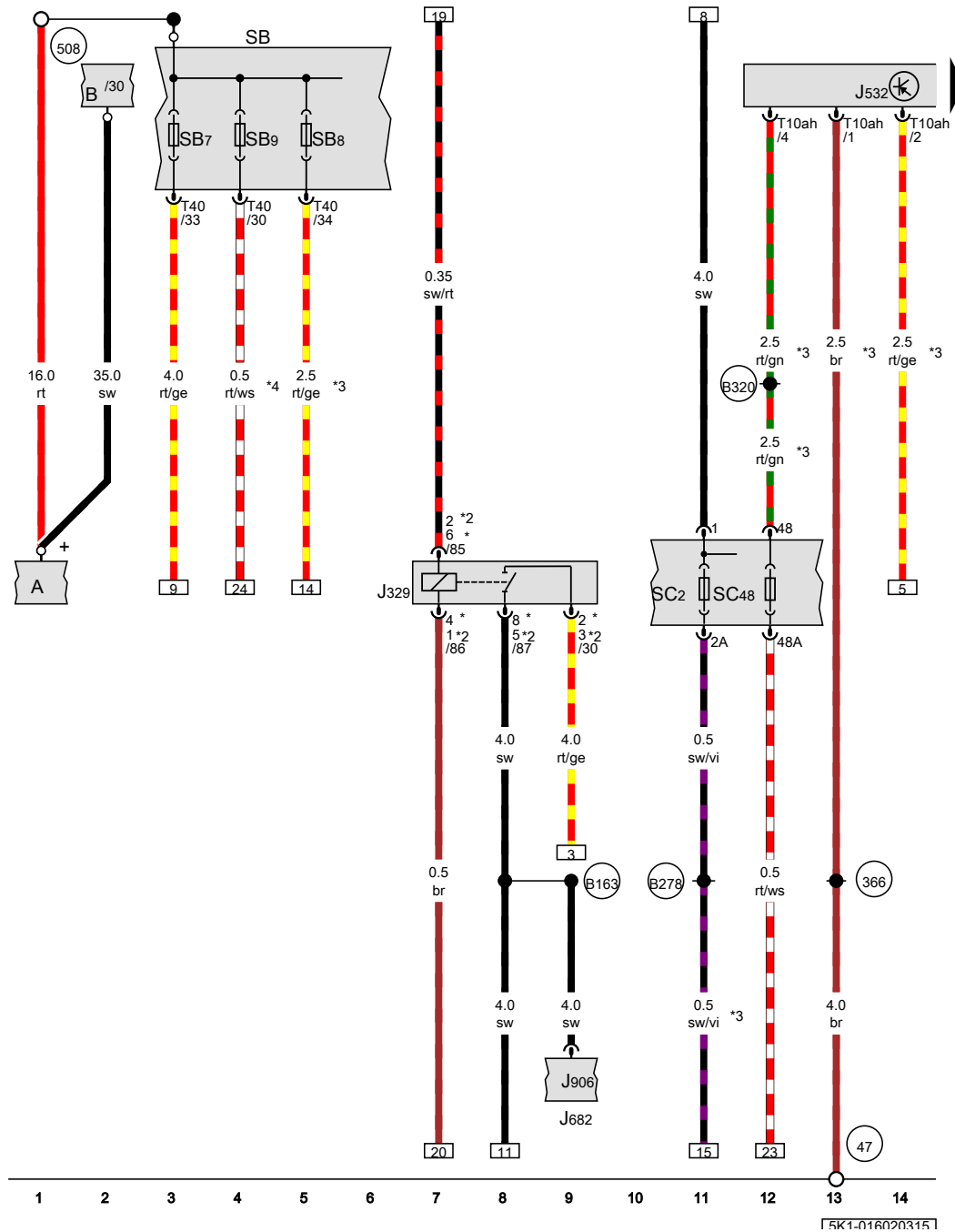


- ws = white
- sw = black
- ro = red
- rt = red
- br = brown
- gn = green
- bl = blue
- gr = grey
- li = lilac
- vi = lilac
- ge = yellow
- or = orange
- rs = pink

15K1-0140505151

## Cell phone system

from July 2008



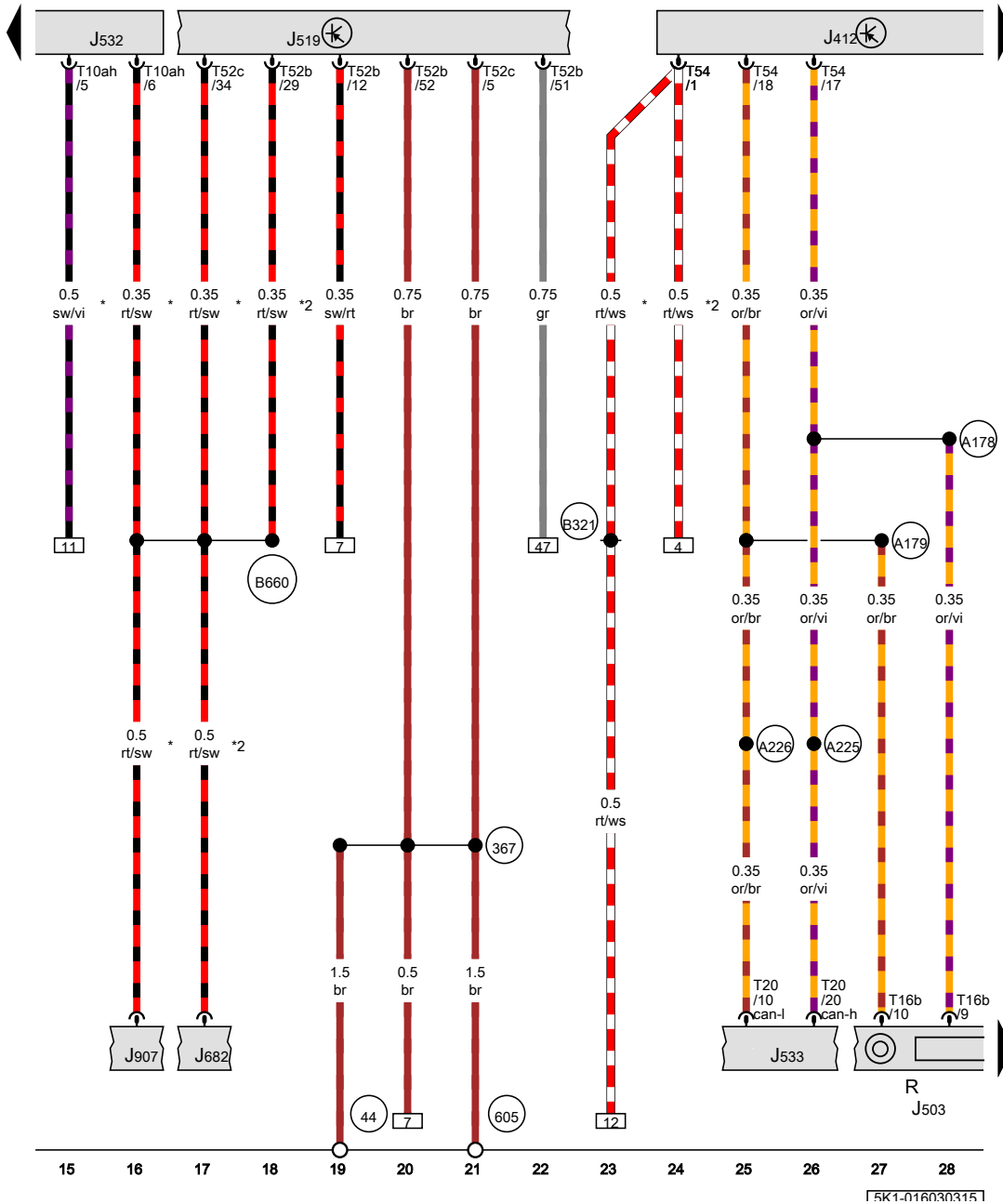
Terminal 15 power supply relay, Voltage stabilizer, Fuse panel B, Fuse 2 (on fuse panel C), Fuse 48 (on fuse panel C)

- A Battery
- B Starter
- J329 Terminal 15 power supply relay
- J532 Voltage stabilizer
- J682 Terminal 50 power supply relay
- J906 Starter relay 1
- SB Fuse panel B
- SC2 Fuse 2 (on fuse panel C)
- SB7 Fuse 7 (on fuse panel B)
- SB8 Fuse 8 (on fuse panel B)
- SB9 Fuse 9 (on fuse panel B)
- SC48 Fuse 48 (on fuse panel C)
- T10ah 10-pin connector
- T40 40-pin connector

- (47) Ground connection in right front footwell
- (366) Ground connection 1 (in main wiring harness)
- (508) Terminal 30 threaded connection (on E-box)
- (B163) Positive connection 1 (15) (in interior wiring harness)
- (B278) Positive connection 2 (15a) (in main wiring harness)
- (B320) Positive connection 6 (30a) (in main wiring harness)
- \* Through October 2009
- \*2 from November 2009
- \*3 Only for vehicles with Start/Stop system
- \*4 Only for vehicles without Start/Stop system

- ws = white
- sw = black
- ro = red
- rt = red
- br = brown
- gn = green
- bl = blue
- gr = grey
- li = lilac
- vi = lilac
- ge = yellow
- or = orange
- rs = pink

15K1-0160203151



- ws = white
- sw = black
- ro = red
- rt = red
- br = brown
- gn = green
- bl = blue
- gr = grey
- li = lilac
- vi = lilac
- ge = yellow
- or = orange
- rs = pink

**Cell phone operating electronics control module, Radio/navigation display unit control module, Voltage stabilizer, Data bus on board diagnostic interface, Radio**

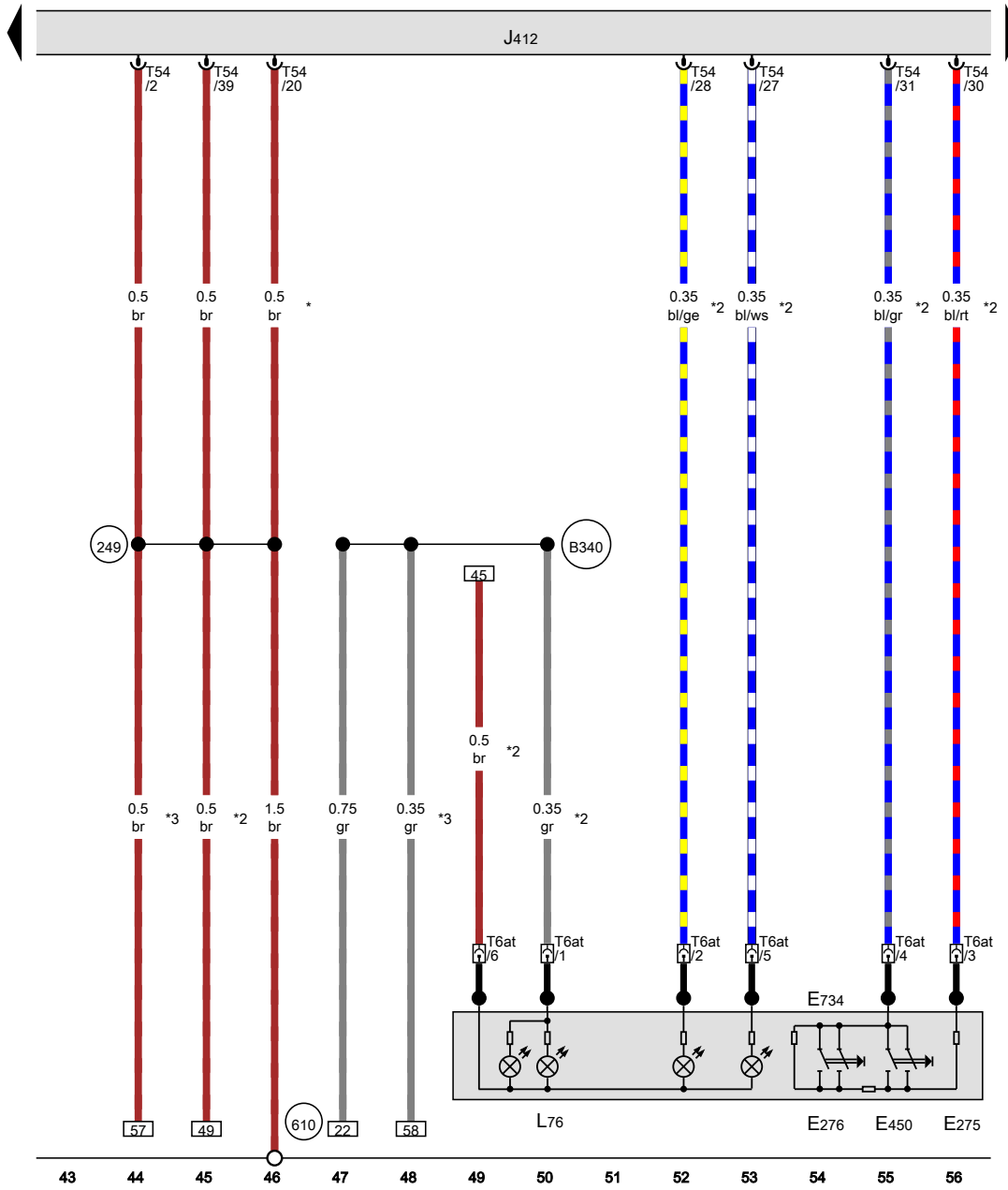
- J412 Cell phone operating electronics control module, in the right front footwell
- J503 Radio/navigation display unit control module
- J519 Vehicle electrical control module system
- J532 Voltage stabilizer
- J533 Data bus on board diagnostic interface, in the left footwell, near the center console
- J682 Terminal 50 power supply relay
- J907 Starter relay 2
- R Radio
- T10ah 10-pin connector
- T16b 16-pin connector
- T20 20-pin connector
- T52b 52-pin connector
- T52c 52-pin connector
- T54 54-pin connector

- 44 Ground connection on A-pillar, lower left
- 367 Ground connection 2 (in main wiring harness)
- 605 Ground connection on upper steering column
- A178 Infotainment CAN bus high connection (in instrument panel wiring harness)
- A179 Infotainment CAN bus low connection (in instrument panel wiring harness)
- A225 Infotainment CAN bus high connection 2 (in instrument panel wiring harness)
- A226 Infotainment CAN bus low connection 2 (in instrument panel wiring harness)
- B321 Positive connection 7 (30a) (in main wiring harness)
- B660 Diagnostic terminal 50 connection (in main wiring harness)
- \* Only for vehicles with Start/Stop system
- \*2 Only for vehicles without Start/Stop system

15K1-0160303151



Telematics button module, Cell phone operating electronics control module



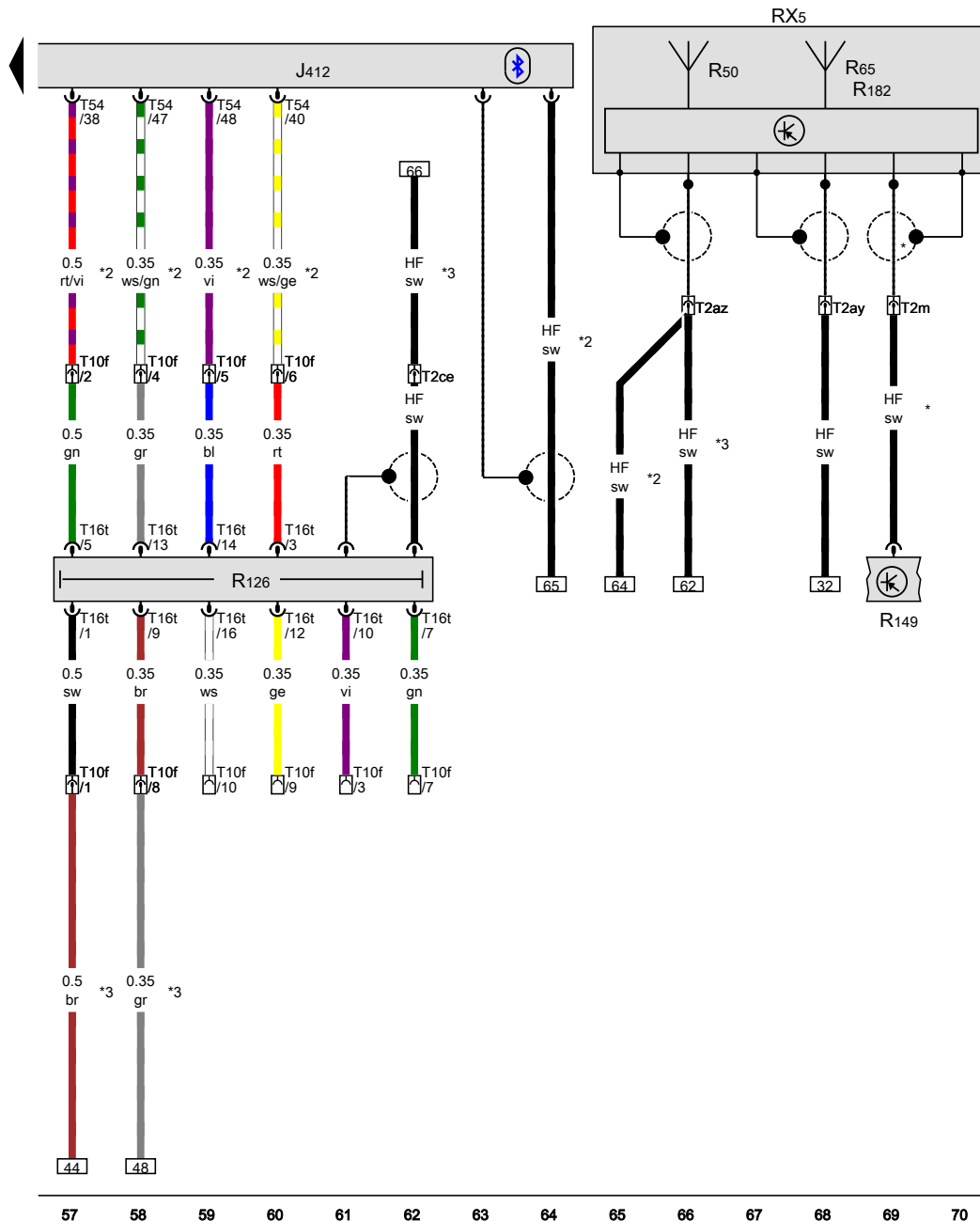
- E275 Roadside assistance button
- E276 Emergency call button
- E450 Information service button
- E734 Telematics button module
- J412 Cell phone operating electronics control module, in the right front footwell
- L76 Push button illumination bulb
- T6at 6-pin connector, near the front interior lamp
- T54 54-pin connector

- 249 Ground connection 2 (in interior wiring harness)
- 610 Audio ground connection under front center console
- B340 Connection 58d (in main wiring harness) 1

- \* Depending on equipment
- \*2 Only for vehicles with button module
- \*3 Only for vehicles with telephone charging station

- ws = white
- sw = black
- ro = red
- rt = red
- br = brown
- gn = green
- bl = blue
- gr = grey
- li = lilac
- vi = lilac
- ge = yellow
- or = orange
- rs = pink

15K1-016050315



**Cell phone operating electronics control module, Roof antenna, Telephone antenna, Telephone baseplate, Auxiliary engine coolant heater radio frequency receiver, Auxiliary heater antenna**

- J412 Cell phone operating electronics control module, in the right front footwell
- RX5 Roof antenna
- R50 GPS antenna
- R65 Telephone antenna
- R126 Telephone baseplate
- R149 Auxiliary engine coolant heater radio frequency receiver
- R182 Auxiliary heater antenna
- T2ay Double connector, near the roof antenna
- T2az Double connector, near the roof antenna
- T2ce Double connector, behind the glove compartment
- T2m Double connector, near the roof antenna
- T10f 10-pin connector, behind the glove compartment
- T16t 16-pin connector
- T54 54-pin connector
- \* Only for vehicles with auxiliary water heater
- \*2 Only for vehicles with telephone charging station and cell phone operating electronics control module
- \*3 Only for vehicles with telephone charging station

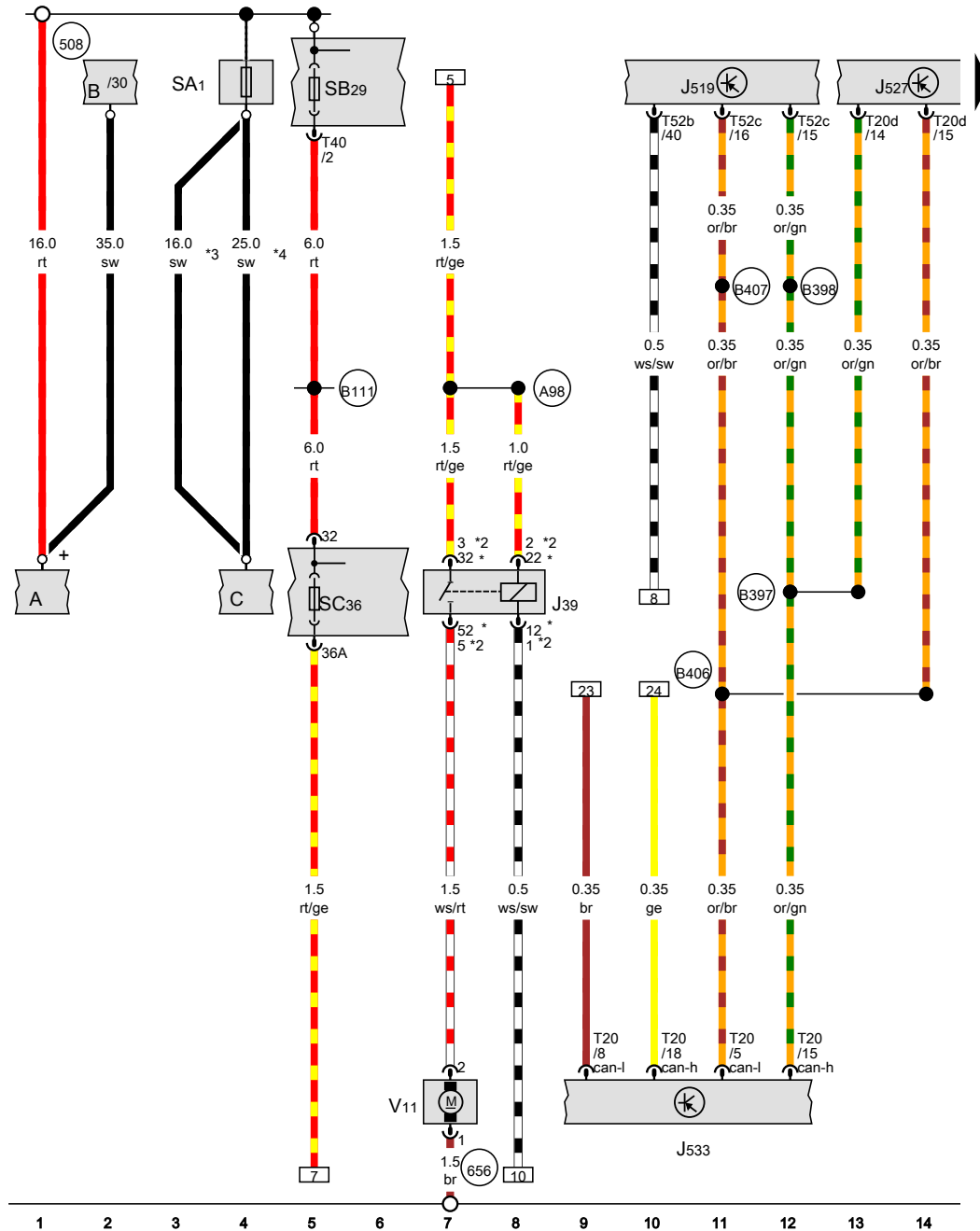
- ws = white
- sw = black
- ro = red
- rt = red
- br = brown
- gn = green
- bl = blue
- gr = grey
- li = lilac
- vi = lilac
- ge = yellow
- or = orange
- rs = pink

15K1-0160603151

**Washer system, headlamps , (8X1)**

from July 2008





Headlamp washer relay, Steering column electronics control module, Data bus on board diagnostic interface, Fuse 1 (on fuse panel A), Fuse 29 (on fuse panel B), Fuse 36 (on fuse panel C), Headlamp washer pump

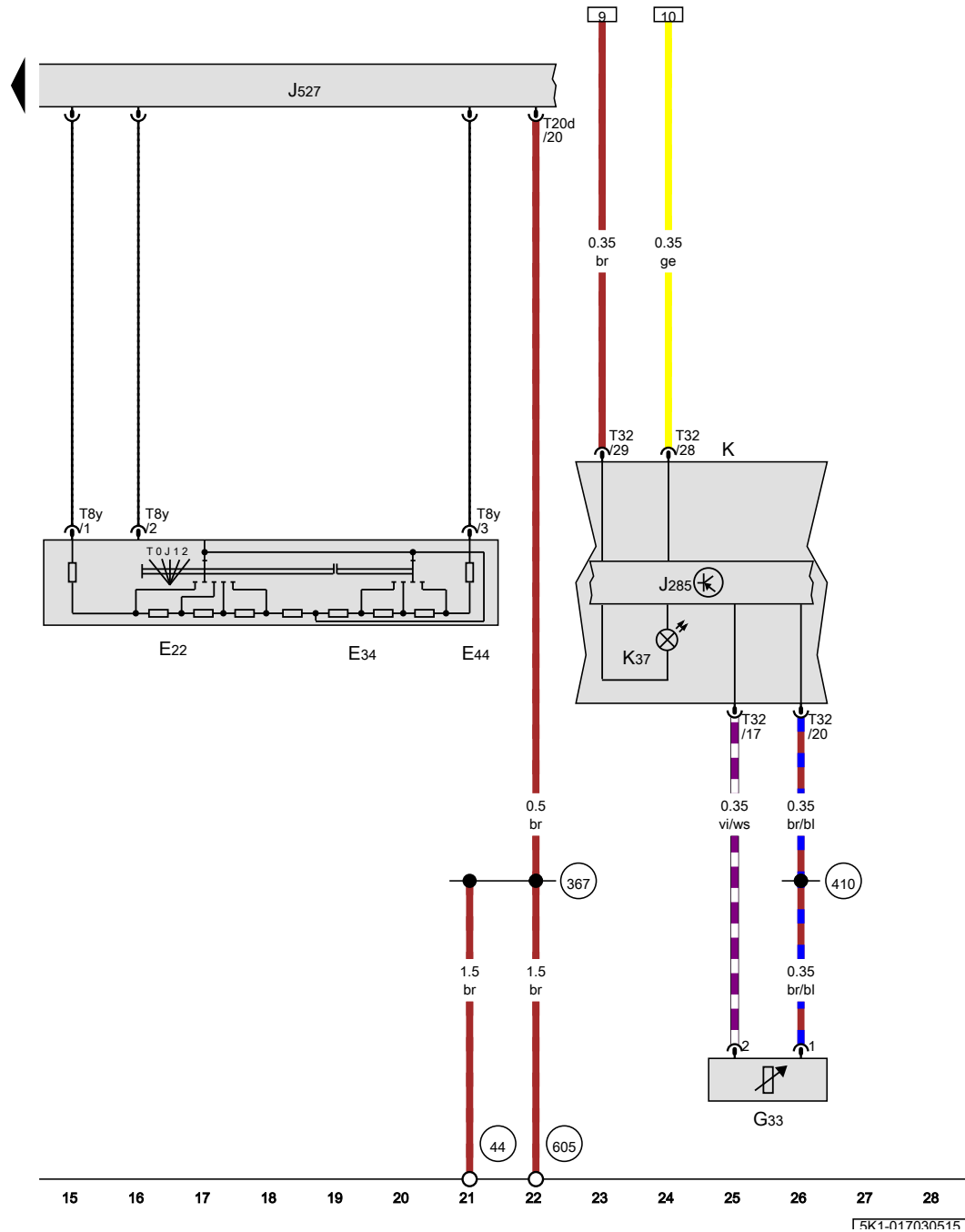
- A Battery
- B Starter
- C Generator
- J39 Headlamp washer relay
- J519 Vehicle electrical control module system
- J527 Steering column electronics control module
- J533 Data bus on board diagnostic interface, in the left footwell, near the center console
- SA1 Fuse 1 (on fuse panel A)
- SB29 Fuse 29 (on fuse panel B)
- SC36 Fuse 36 (on fuse panel C)
- T20 20-pin connector
- T20d 20-pin connector
- T40 40-pin connector
- T52b 52-pin connector
- T52c 52-pin connector
- V11 Headlamp washer pump

- (508) Terminal 30 threaded connection (on E-box)
- (656) Ground connection on right headlamp
- (A98) Positive connection 4 (30) (in instrument panel wiring harness)
- (B111) Positive connection 1 (30a) (in interior wiring harness)
- (B397) Comfort system CAN bus high connection 1 (in main wiring harness)
- (B398) Comfort system CAN bus high connection 2 (in main wiring harness)
- (B406) Comfort system CAN bus low connection 1 (in main wiring harness)
- (B407) Comfort system CAN bus low connection 2 (in main wiring harness)

- ws = white
- sw = black
- ro = red
- rt = red
- br = brown
- gn = green
- bl = blue
- gr = grey
- li = lilac
- vi = lilac
- ge = yellow
- or = orange
- rs = pink

- \* Through October 2009
- \*2 from November 2009
- \*3 Only for vehicles with 90 A/120 A generator
- \*4 Only for vehicles with a generator (140 A)

15K1-0170205151



Windshield wiper intermittent mode switch, Rear window wiper switch, Windshield and headlamp washer pump switch, Windshield washer fluid level sensor, Instrument cluster control module, Steering column electronics control module, Windshield washer fluid level indicator lamp

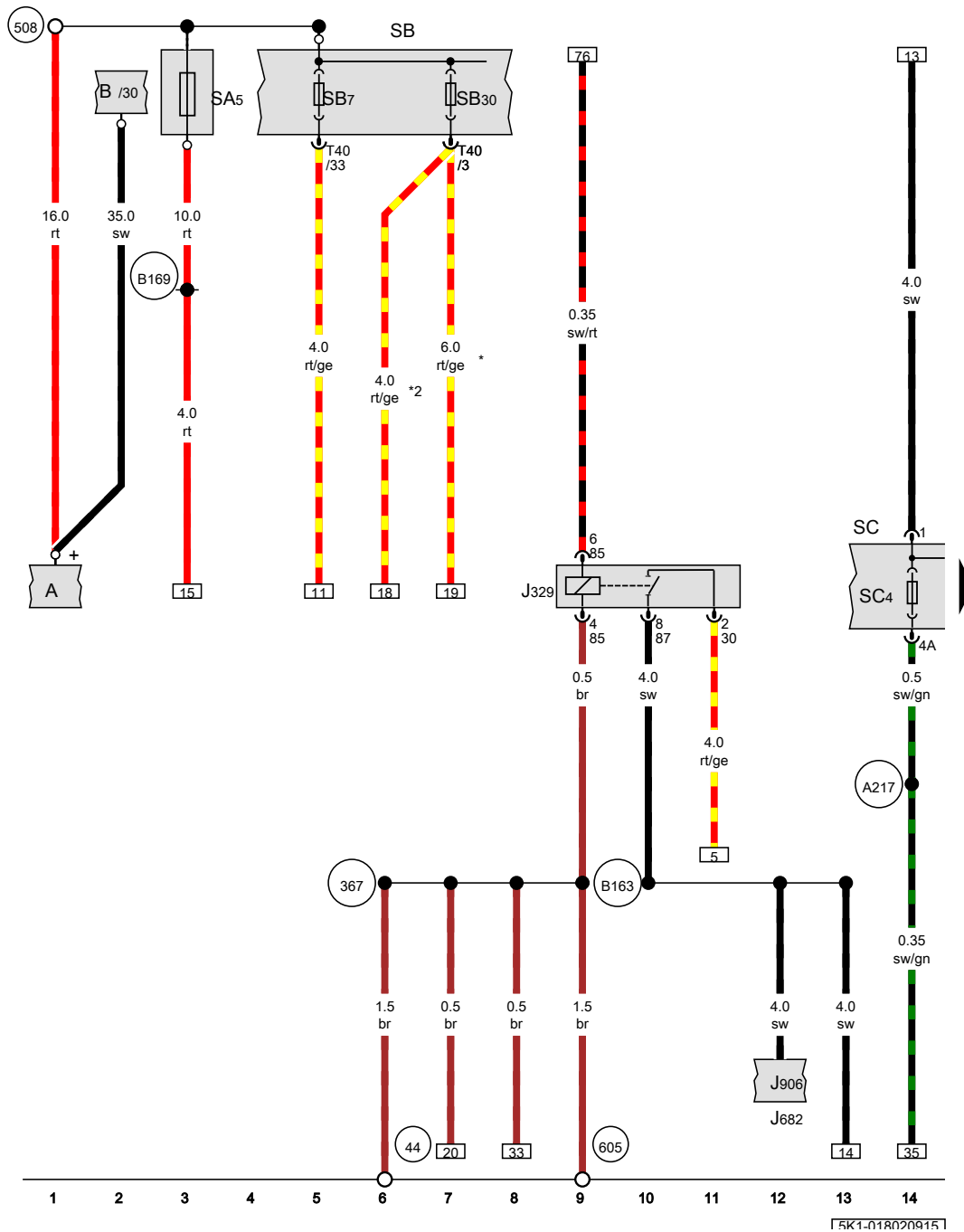
- E22 Windshield wiper intermittent mode switch
- E34 Rear window wiper switch
- E44 Windshield and headlamp washer pump switch
- G33 Windshield washer fluid level sensor
- J285 Instrument cluster control module
- J527 Steering column electronics control module
- K Instrument cluster
- K37 Windshield washer fluid level indicator lamp
- T8y 8-pin connector
- T20d 20-pin connector
- T32 32-pin connector

- 44 Ground connection on A-pillar, lower left
- 367 Ground connection 2 (in main wiring harness)
- 410 Sensor ground connection 1 (in main wiring harness)
- 605 Ground connection on upper steering column

- ws = white
- sw = black
- ro = red
- rt = red
- br = brown
- gn = green
- bl = blue
- gr = grey
- li = lilac
- vi = lilac
- ge = yellow
- or = orange
- rs = pink

15K1-017030515

Climatic , (KH6),(9AP)  
from July 2008



Terminal 15 power supply relay, Fuse panel B, Fuse panel C

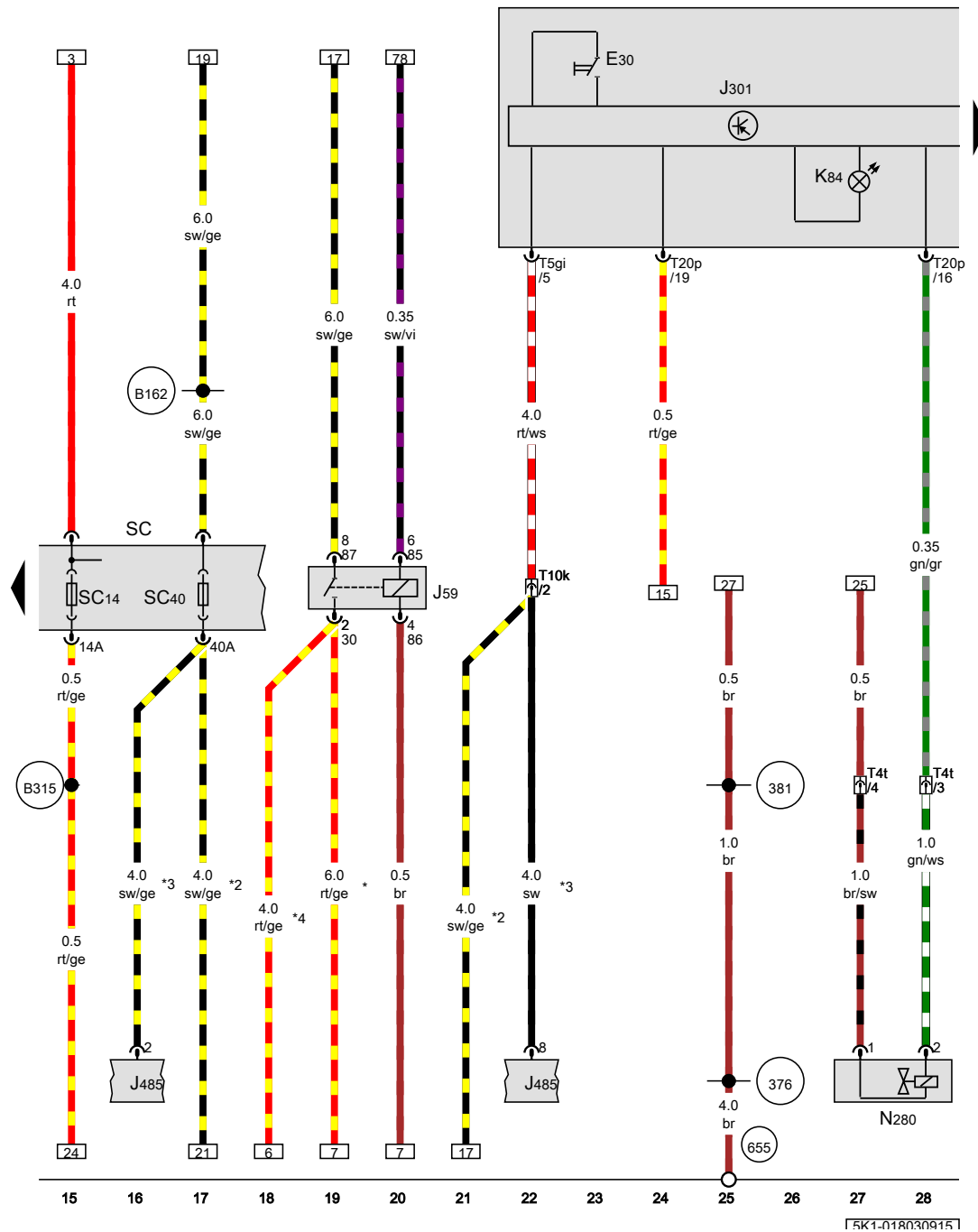
- A Battery
- B Starter
- J329 Terminal 15 power supply relay
- J682 Terminal 50 power supply relay
- J906 Starter relay 1
- SC4 Fuse 4 (on fuse panel C)
- SA5 Fuse 5 (on fuse panel A)
- SB Fuse panel B
- SB7 Fuse 7 (on fuse panel B)
- SB30 Fuse 30 (on fuse panel B)
- SC Fuse panel C
- T40 40-pin connector

- 44 Ground connection on A-pillar, lower left
- 367 Ground connection 2 (in main wiring harness)
- 508 Terminal 30 threaded connection (on E-box)
- 605 Ground connection on upper steering column
- A217 Positive connection 8 (15a) (in instrument panel wiring harness)
- B163 Positive connection 1 (15) (in interior wiring harness)
- B169 Positive connection 1 (30) (in interior wiring harness)

\* from November 2008  
 \*2 Through October 2008

- ws = white
- sw = black
- ro = red
- rt = red
- br = brown
- gn = green
- bl = blue
- gr = grey
- li = lilac
- vi = lilac
- ge = yellow
- or = orange
- rs = pink

15K1-0180209151



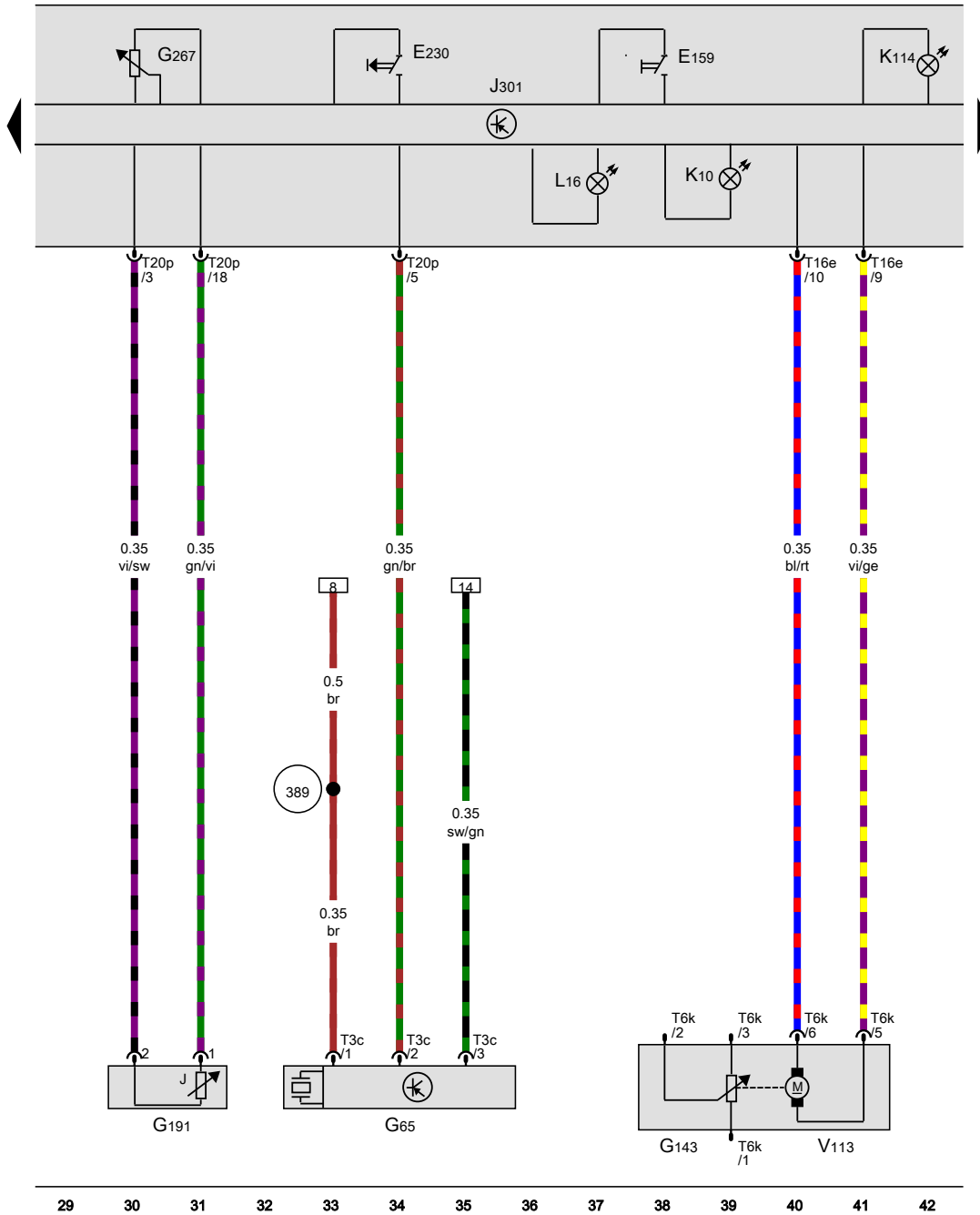
Load reduction relay, A/C control module, A/C compressor regulator valve, Fuse panel C

- E30 A/C switch
- J59 Load reduction relay
- J301 A/C control module, in the instrument panel, center
- J485 Parking heater operation relay
- K84 A/C system indicator lamp
- N280 A/C compressor regulator valve
- SC Fuse panel C
- SC14 Fuse 14 (on fuse panel C)
- SC40 Fuse 40 (on fuse panel C)
- T4t 4-pin connector, near the starter
- T5gi 5-pin connector
- T10k 10-pin connector
- T20p 20-pin connector

- 376 Ground connection 11 (in main wiring harness)
- 381 Ground connection 16 (in main wiring harness)
- 655 Ground connection on left headlamp
- B162 Connection 75a (in interior wiring harness)
- B315 Positive connection 1 (30a) (in main wiring harness)
- \* from November 2008
- \*2 Only for vehicles without auxiliary coolant heater
- \*3 Only for vehicles with auxiliary coolant heater
- \*4 Through October 2008

- ws = white
- sw = black
- ro = red
- rt = red
- br = brown
- gn = green
- bl = blue
- gr = grey
- li = lilac
- vi = lilac
- ge = yellow
- or = orange
- rs = pink

15K1-018030915



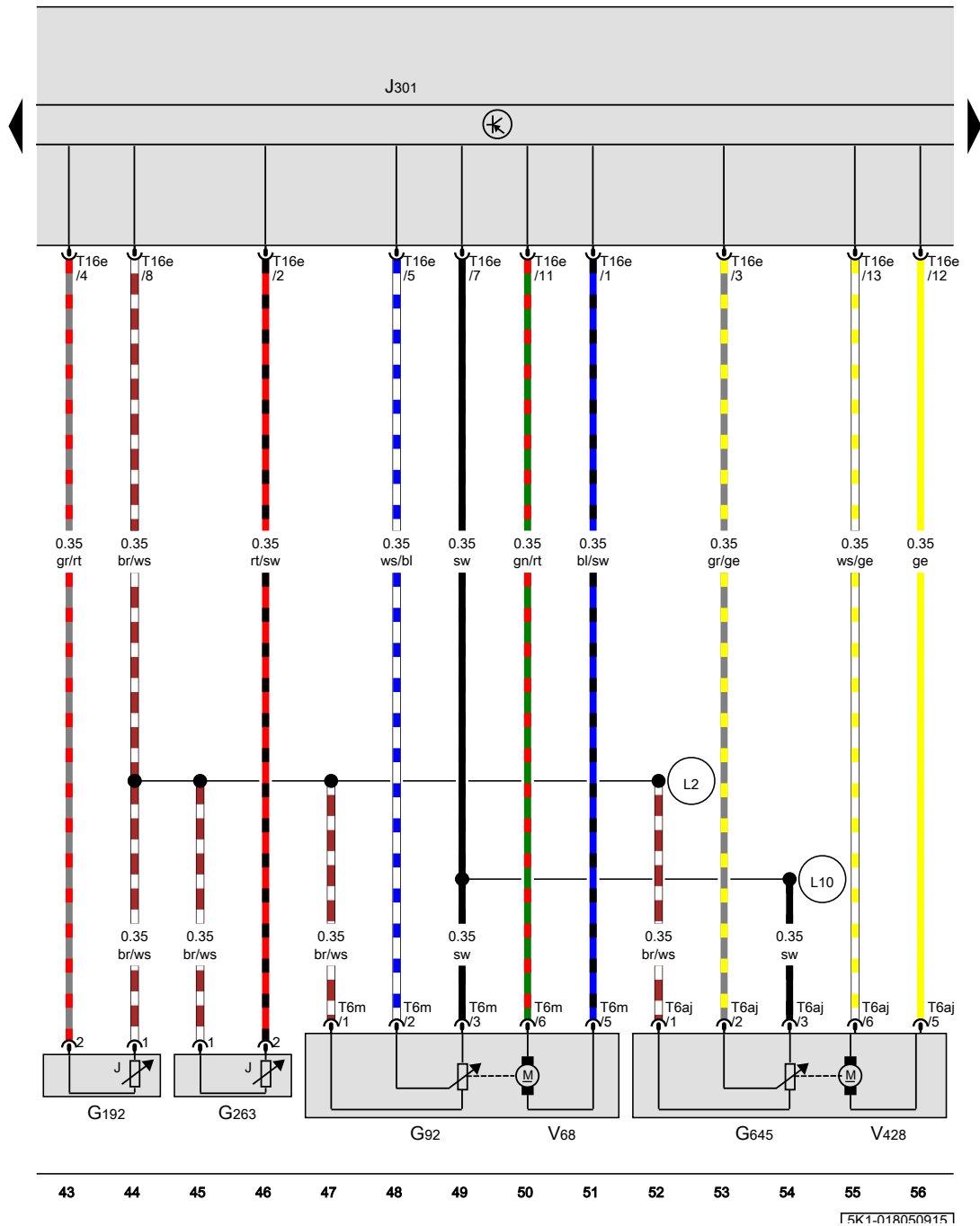
High pressure sensor, Center vent temperature sensor, A/C control module, Recirculation door motor

- E159 Fresh air/recirculation door switch
  - E230 Rear window defogger button
  - G65 High pressure sensor
  - G143 Recirculation door motor position sensor
  - G191 Center vent temperature sensor
  - G267 Temperature selector knob potentiometer
  - J301 A/C control module, in the instrument panel, center
  - K10 Rear window defogger indicator lamp
  - K114 Fresh air and recirculation mode indicator lamp
  - L16 Fresh air control illumination bulb
  - T3c 3-pin connector
  - T6k 6-pin connector
  - T16e 16-pin connector
  - T20p 20-pin connector
  - V113 Recirculation door motor
- 389 Ground connection 24 (in main wiring harness)

- ws = white
- sw = black
- ro = red
- rt = red
- br = brown
- gn = green
- bl = blue
- gr = grey
- li = lilac
- vi = lilac
- ge = yellow
- or = orange
- rs = pink

29 30 31 32 33 34 35 36 37 38 39 40 41 42

15K1-018040915



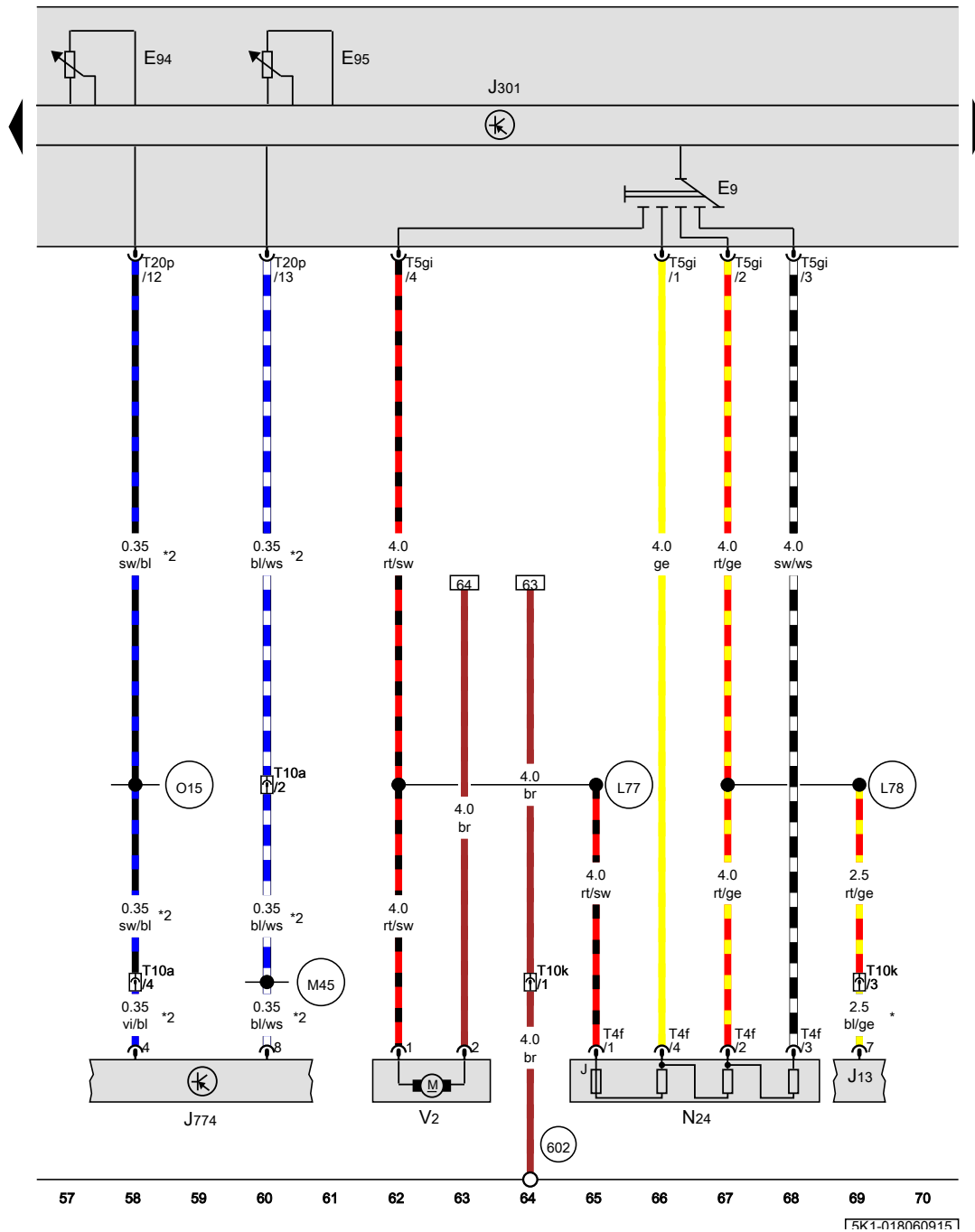
Footwell vent temperature sensor, Evaporator vent temperature sensor, A/C control module, Temperature control door motor, Air distribution door motor

- G92 Temperature control door motor position sensor
- G192 Footwell vent temperature sensor
- G263 Evaporator vent temperature sensor
- G645 Air distribution door motor position sensor
- J301 A/C control module, in the instrument panel, center
- T6aj 6-pin connector
- T6m 6-pin connector
- T16e 16-pin connector
- V68 Temperature control door motor
- V428 Air distribution door motor

(L2) Connection (in A/C system wiring harness)

(L10) Connection 2 (in A/C system wiring harness)

- ws = white
- sw = black
- ro = red
- rt = red
- br = brown
- gn = green
- bl = blue
- gr = grey
- li = lilac
- vi = lilac
- ge = yellow
- or = orange
- rs = pink



Fresh air blower switch, A/C control module, Fresh air blower series resistor with fuse, Fresh air blower

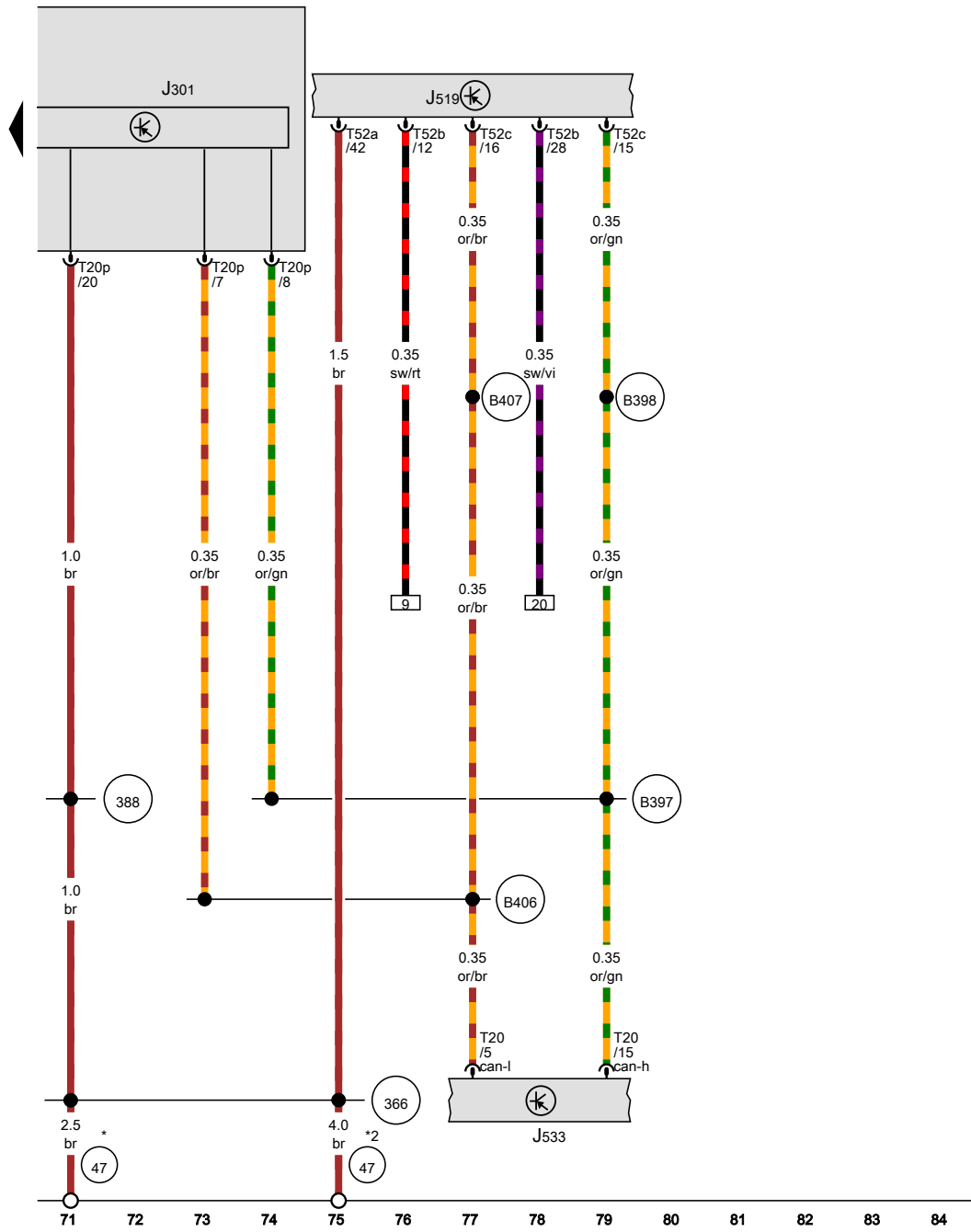
- E9 Fresh air blower switch
- E94 Heated driver seat adjuster
- E95 Heated front passenger seat adjuster
- J13 Fresh air blower relay
- J301 A/C control module, in the instrument panel, center
- J774 Front seat heating control module
- N24 Fresh air blower series resistor with fuse
- T4f 4-pin connector
- T5gi 5-pin connector
- T10a 10-pin connector, under the driver seat
- T10k 10-pin connector
- T20p 20-pin connector
- V2 Fresh air blower

- 602 Ground connection in left front footwell
- L77 Connection (in fresh air blower wiring harness)
- L78 Connection 1 (in fresh air blower wiring harness)
- M45 Connection 5 (in driver seat wiring harness)
- O15 Connection 4 (in heated seats wiring harness)
- \* Only for vehicles with auxiliary coolant heater
- \*2 Only for vehicles with an auxiliary heater

- ws = white
- sw = black
- ro = red
- rt = red
- br = brown
- gn = green
- bl = blue
- gr = grey
- li = lilac
- vi = lilac
- ge = yellow
- or = orange
- rs = pink

15K1-018060915





A/C control module, Data bus on board diagnostic interface

- J301 A/C control module, in the instrument panel, center
- J519 Vehicle electrical control module system
- J533 Data bus on board diagnostic interface, in the left footwell, near the center console
- T20 20-pin connector
- T20p 20-pin connector
- T52a 52-pin connector
- T52b 52-pin connector
- T52c 52-pin connector

- (47) Ground connection in right front footwell
- (366) Ground connection 1 (in main wiring harness)
- (388) Ground connection 23 (in main wiring harness)
- (B397) Comfort system CAN bus high connection 1 (in main wiring harness)
- (B398) Comfort system CAN bus high connection 2 (in main wiring harness)
- (B406) Comfort system CAN bus low connection 1 (in main wiring harness)
- (B407) Comfort system CAN bus low connection 2 (in main wiring harness)

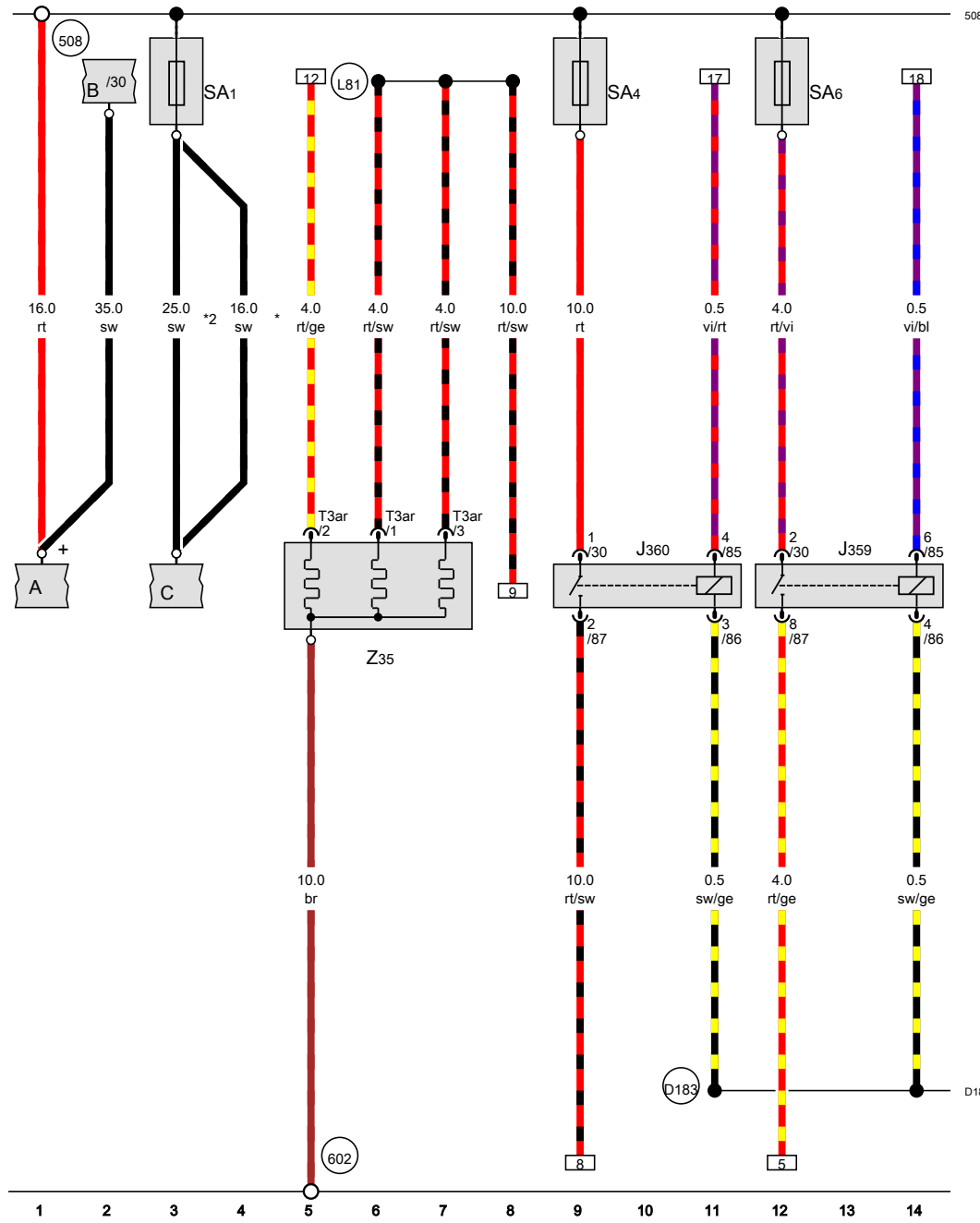
\* Only for vehicles without Start/Stop system  
 \*2 Only for vehicles with Start/Stop system

- ws = white
- sw = black
- ro = red
- rt = red
- br = brown
- gn = green
- bl = blue
- gr = grey
- li = lilac
- vi = lilac
- ge = yellow
- or = orange
- rs = pink

15K1-018070915

**Auxiliary air heater (PTC) , (7E6)**

from July 2008



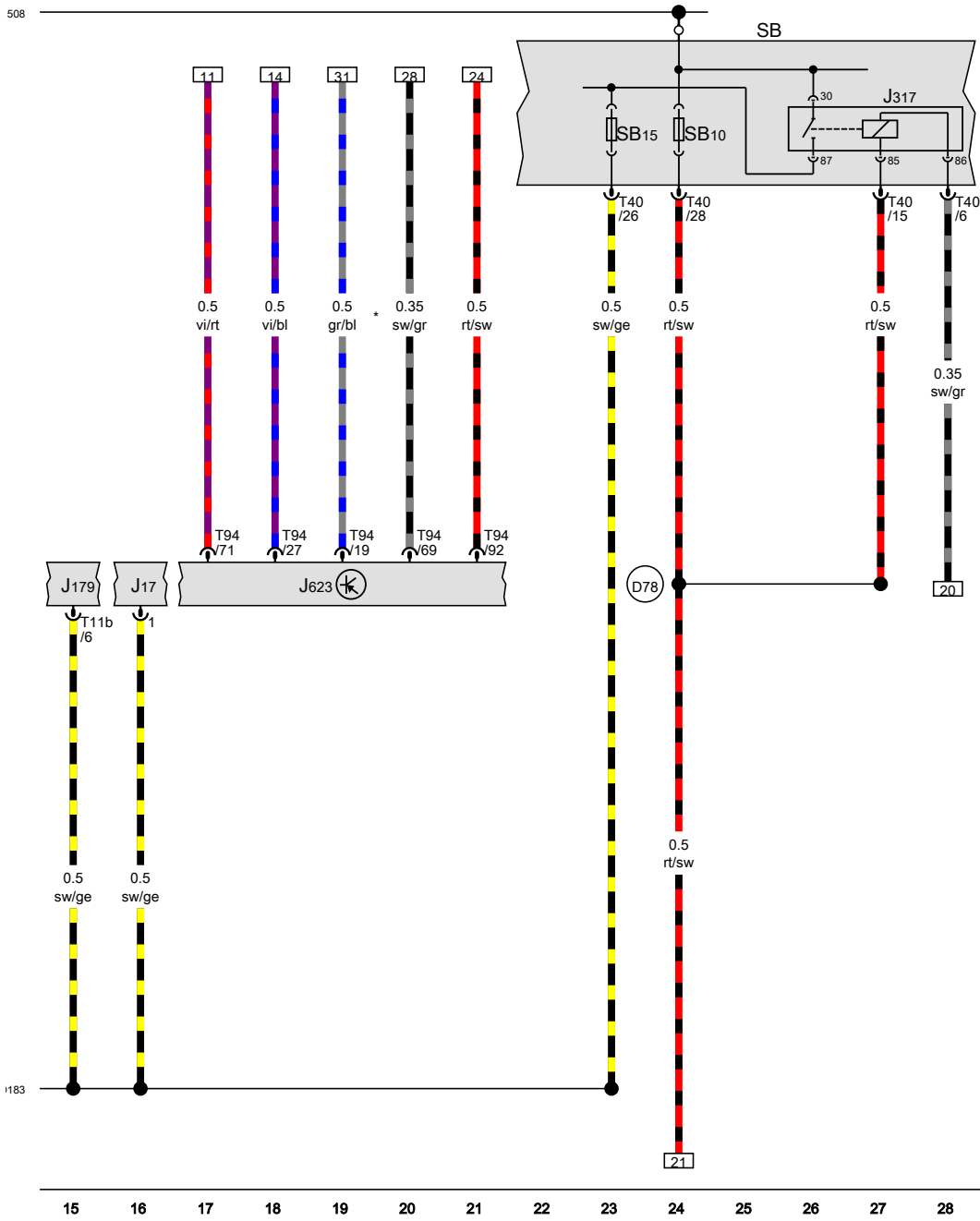
Low heat output relay, High heat output relay, Fuse 1 (on fuse panel A), Fuse 4 (on fuse panel A), Fuse 6 (on fuse panel A), Auxiliary heater heating element

- A Battery
- B Starter
- C Generator
- J359 Low heat output relay
- J360 High heat output relay
- SA1 Fuse 1 (on fuse panel A)
- SA4 Fuse 4 (on fuse panel A)
- SA6 Fuse 6 (on fuse panel A)
- T3ar 3-pin connector
- Z35 Auxiliary heater heating element

- 508 Terminal 30 threaded connection (on E-box)
- 602 Ground connection in left front footwell
- D183 Connection 4 (87a) (in engine compartment wiring harness)
- L81 Connection (in auxiliary heater wiring harness)
- \* Only for vehicles with 90 A/120 A generator
- \*2 Only for vehicles with a generator (140 A)

- ws = white
- sw = black
- ro = red
- rt = red
- br = brown
- gn = green
- bl = blue
- gr = grey
- li = lilac
- vi = lilac
- ge = yellow
- or = orange
- rs = pink

508



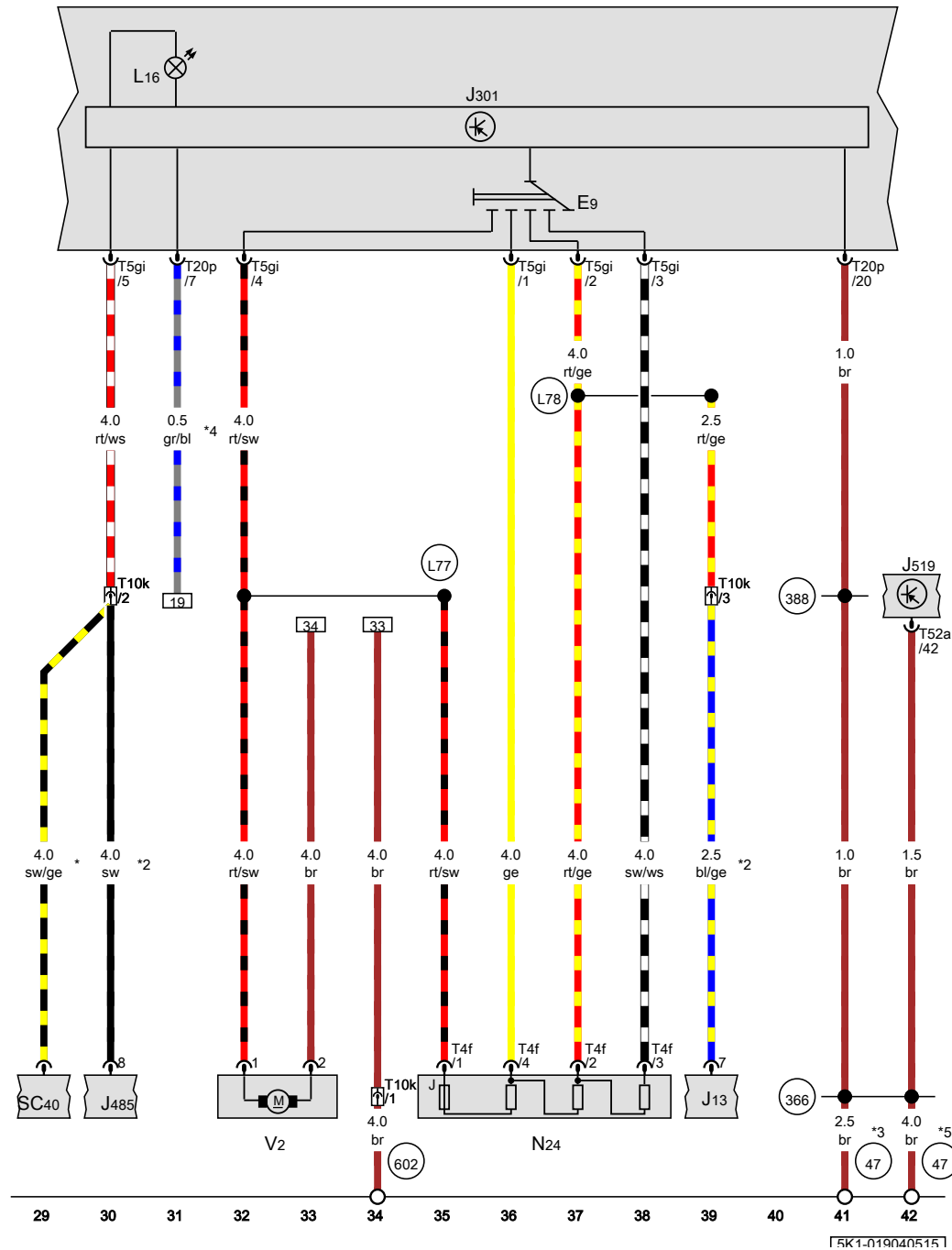
**Terminal 30 power supply relay, Engine control module, Fuse panel B**

- J17 Fuel pump relay
- J179 Automatic glow time control module
- J317 Terminal 30 power supply relay
- J623 Engine control module, in the center plenum chamber
- SB Fuse panel B
- SB10 Fuse 10 (on fuse panel B)
- SB15 Fuse 15 (on fuse panel B)
- T11b 11-pin connector
- T40 40-pin connector
- T94 94-pin connector

- 508 Terminal 30 threaded connection (on E-box)
- D78 Positive connection 1 (30a) (in engine compartment wiring harness)
- D183 Connection 4 (87a) (in engine compartment wiring harness)
- \* Only for vehicles without an A/C system

- ws = white
- sw = black
- ro = red
- rt = red
- br = brown
- gn = green
- bl = blue
- gr = grey
- li = lilac
- vi = lilac
- ge = yellow
- or = orange
- rs = pink

15K1-019030515



Fresh air blower switch, A/C control module, Fresh air blower series resistor with fuse, Fresh air blower

- E9 Fresh air blower switch
- J13 Fresh air blower relay
- J301 A/C control module
- J485 Auxiliary heater operation relay
- J519 Vehicle electrical control module system
- L16 Fresh air control illumination bulb
- N24 Fresh air blower series resistor with fuse
- SC40 Fuse 40 (on fuse panel C)
- T4f 4-pin connector
- T5gi 5-pin connector
- T10k 10-pin connector
- T20p 20-pin connector
- T52a 52-pin connector
- V2 Fresh air blower

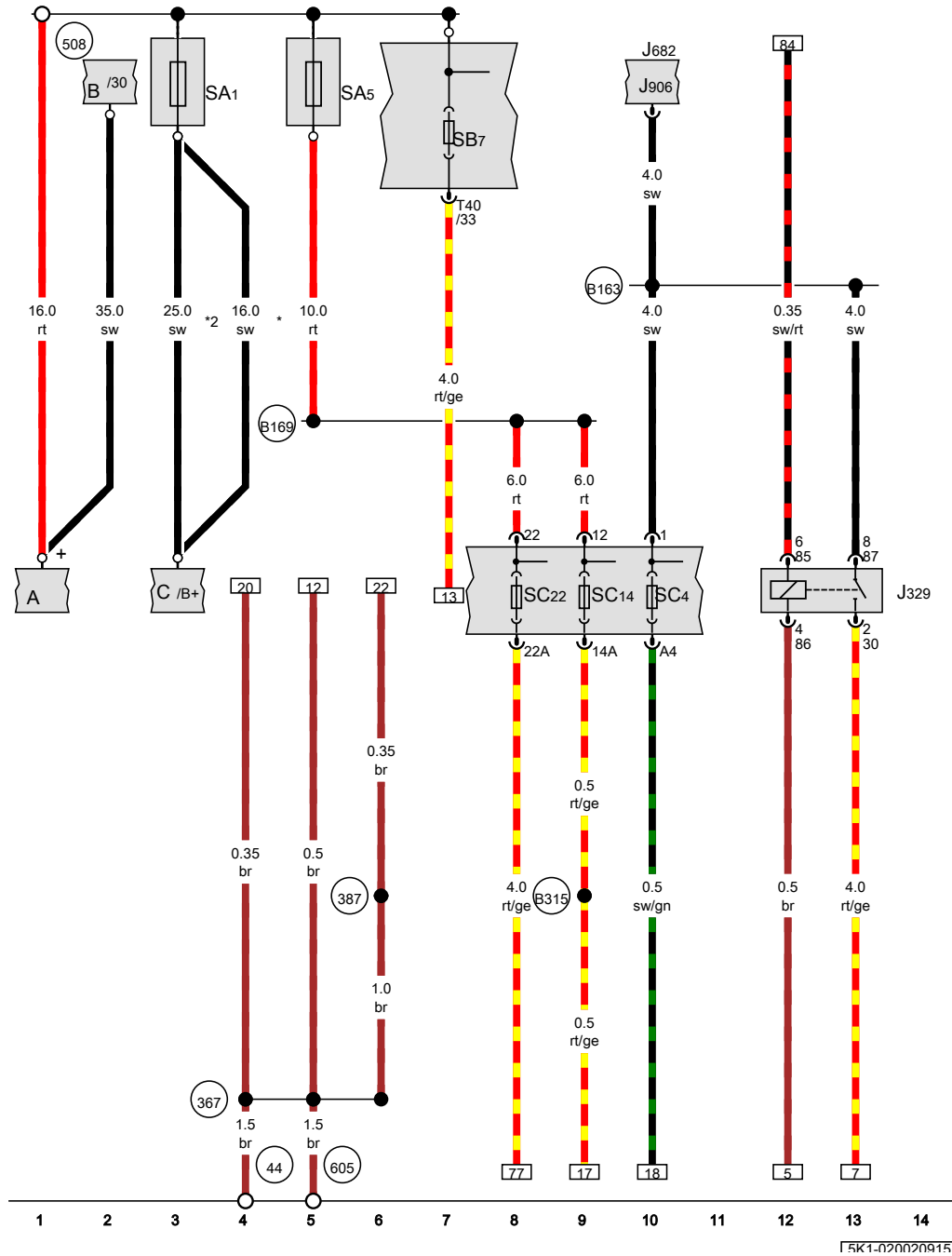
- 47 Ground connection in right front footwell
- 366 Ground connection 1 (in main wiring harness)
- 388 Ground connection 23 (in main wiring harness)
- 602 Ground connection in left front footwell
- L77 Connection (in fresh air blower wiring harness)
- L78 Connection 1 (in fresh air blower wiring harness)

- \* Only for vehicles without auxiliary water heater
- \*2 Only for vehicles with auxiliary water heater
- \*3 Only for vehicles without Start/Stop system
- \*4 Only for vehicles without an A/C system
- \*5 Only for vehicles with Start/Stop system

- ws = white
- sw = black
- ro = red
- rt = red
- br = brown
- gn = green
- bl = blue
- gr = grey
- li = lilac
- vi = lilac
- ge = yellow
- or = orange
- rs = pink

15K1-0190405151

**Climatronic , (9AK)**  
from July 2008



Terminal 15 power supply relay, Fuse 1 (on fuse panel A), Fuse 4 (on fuse panel C), Fuse 5 (on fuse panel A), Fuse 7 (on fuse panel B), Fuse 14 (on fuse panel C), Fuse 22 (on fuse panel C)

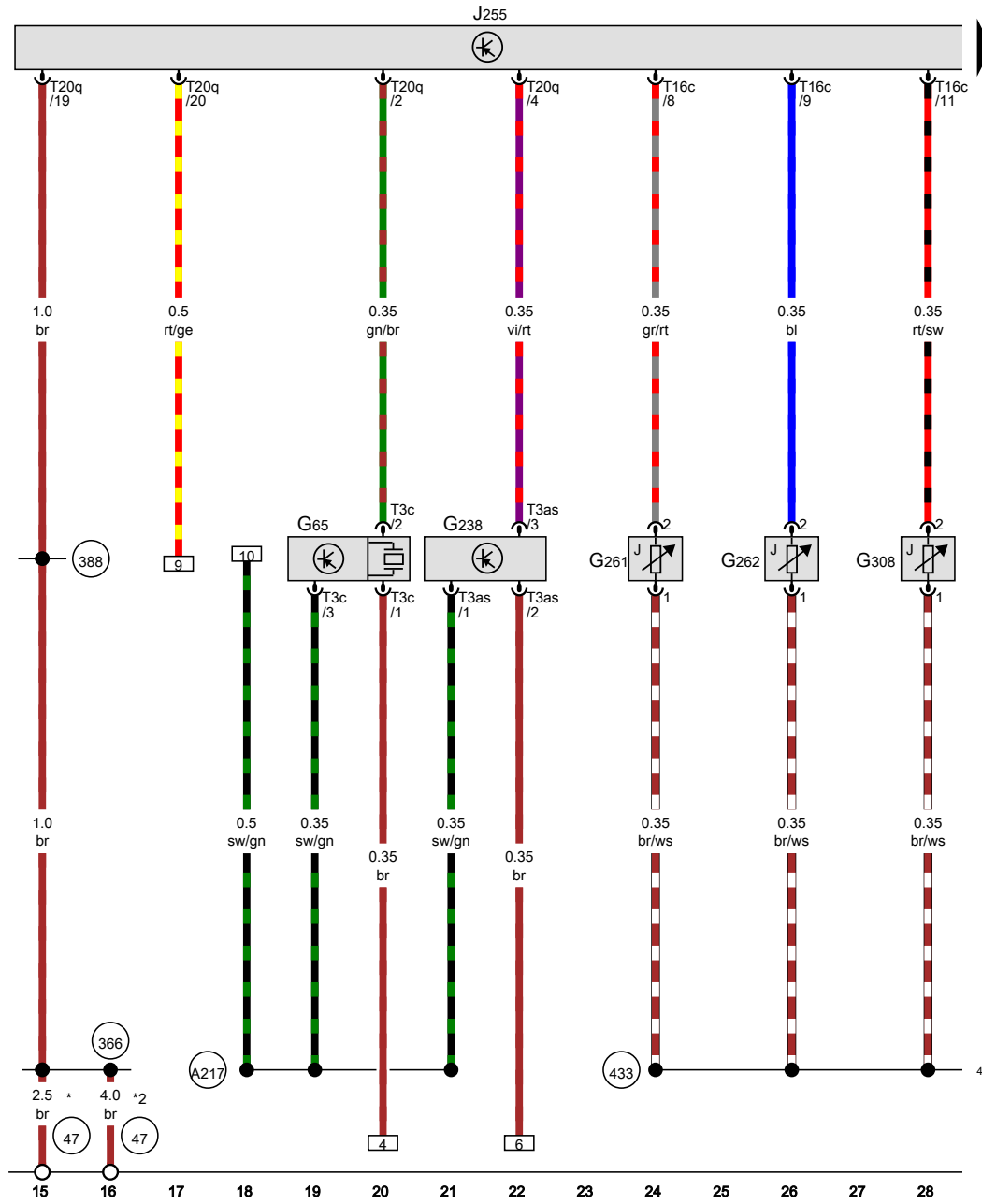
- A Battery
- B Starter
- C Generator
- J329 Terminal 15 power supply relay
- J682 Terminal 50 power supply relay
- J906 Starter relay 1
- SA1 Fuse 1 (on fuse panel A)
- SC4 Fuse 4 (on fuse panel C)
- SA5 Fuse 5 (on fuse panel A)
- SB7 Fuse 7 (on fuse panel B)
- SC14 Fuse 14 (on fuse panel C)
- SC22 Fuse 22 (on fuse panel C)
- T40 40-pin connector
- 44 Ground connection on A-pillar, lower left
- 367 Ground connection 2 (in main wiring harness)
- 387 Ground connection 22 (in main wiring harness)
- 508 Terminal 30 threaded connection (on E-box)
- 605 Ground connection on upper steering column
- B163 Positive connection 1 (15) (in interior wiring harness)
- B169 Positive connection 1 (30) (in interior wiring harness)
- B315 Positive connection 1 (30a) (in main wiring harness)

- ws = white
- sw = black
- ro = red
- rt = red
- br = brown
- gn = green
- bl = blue
- gr = grey
- li = lilac
- vi = lilac
- ge = yellow
- or = orange
- rs = pink

\* Only for vehicles with 90 A/120 A generator  
 \*2 Only for vehicles with a generator (140 A)

15K1-0200209151

High pressure sensor, Air quality sensor, Climatronic control module



- G65 High pressure sensor
- G238 Air quality sensor
- G261 Left footwell vent temperature sensor
- G262 Right footwell vent temperature sensor
- G308 Evaporator temperature sensor
- J255 Climatronic control module, behind the center console
- T3as 3-pin connector
- T3c 3-pin connector
- T16c 16-pin connector
- T20q 20-pin connector

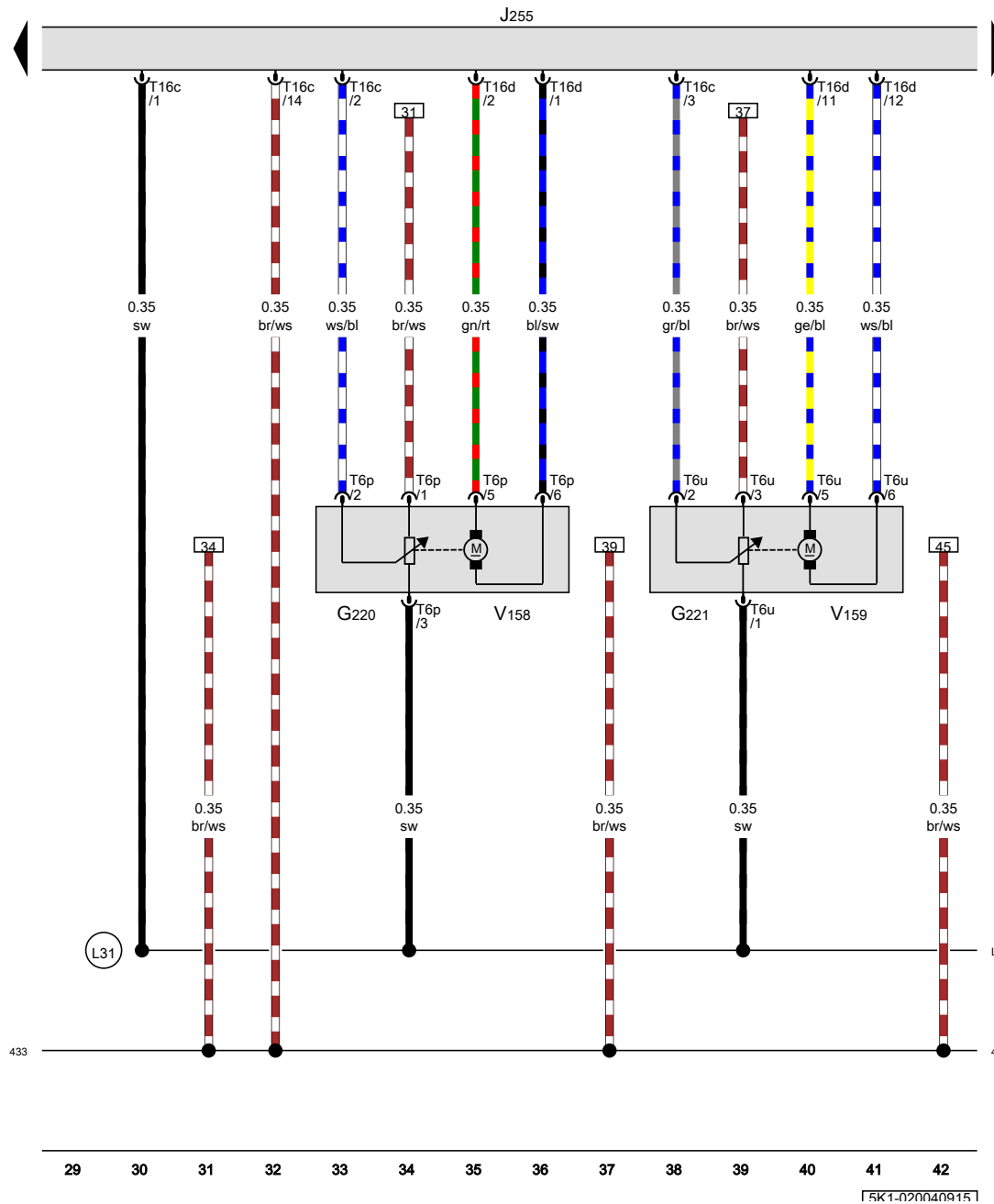
- 47 Ground connection in right front footwell
- 366 Ground connection 1 (in main wiring harness)
- 388 Ground connection 23 (in main wiring harness)
- 433 Sensor ground connection 2 (in Climatronic wiring harness)
- A217 Positive connection 8 (15a) (in instrument panel wiring harness)

\* Only for vehicles without Start/Stop system  
 \*2 Only for vehicles with Start/Stop system

ws = white  
 sw = black  
 ro = red  
 rt = red  
 br = brown  
 gn = green  
 bl = blue  
 gr = grey  
 li = lilac  
 vi = lilac  
 ge = yellow  
 or = orange  
 rs = pink

15K1-0200309151



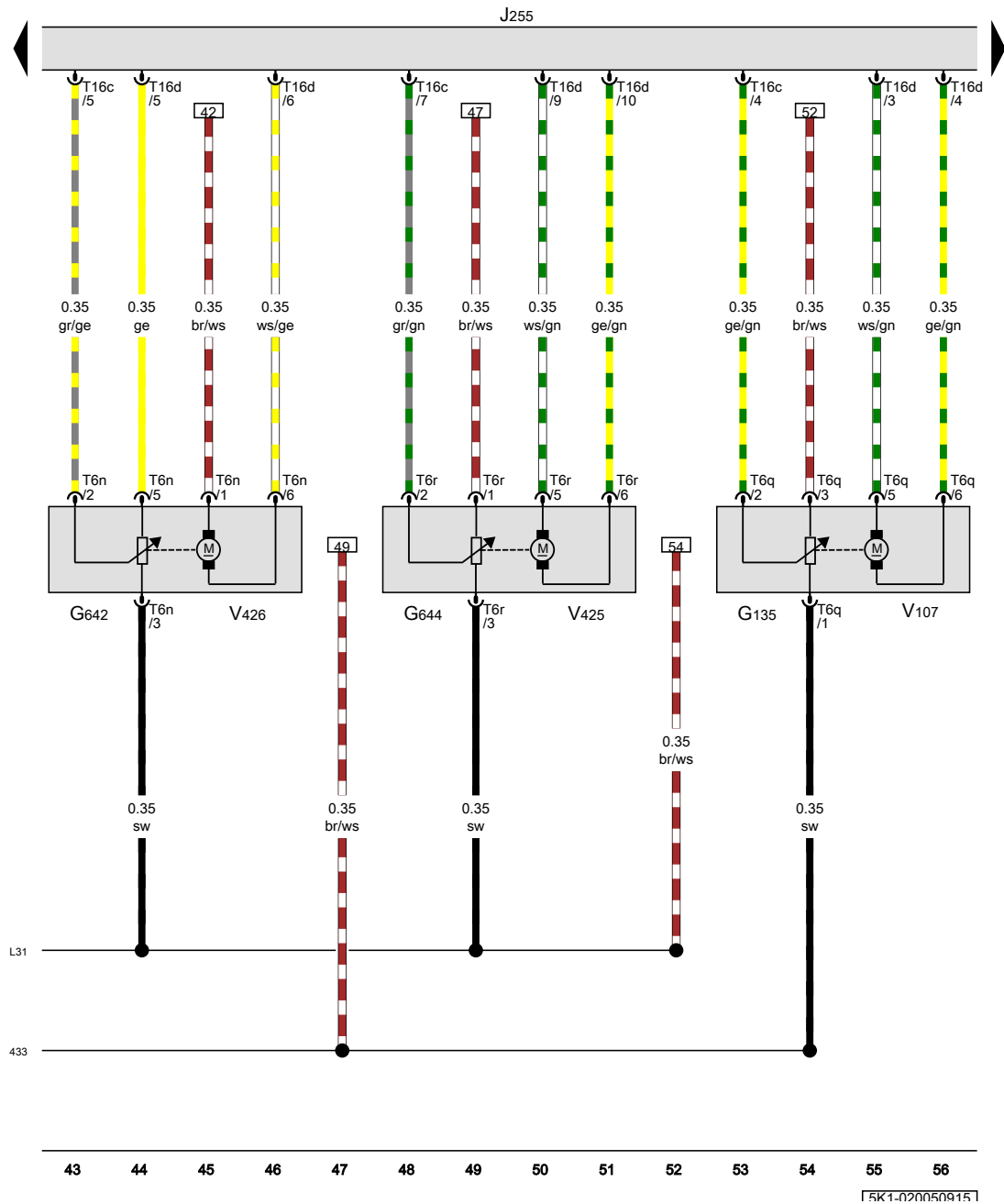


Climatronic control module, Left temperature control door motor, Right temperature control door motor

- G220 Left temperature control door motor position sensor
- G221 Right temperature control door motor position sensor
- J255 Climatronic control module, behind the center console
- T6p 6-pin connector
- T6u 6-pin connector
- T16c 16-pin connector
- T16d 16-pin connector
- V158 Left temperature control door motor
- V159 Right temperature control door motor

- (433) Sensor ground connection 2 (in Climatronic wiring harness)
- (L31) Connection (5 Volt) (in A/C system wiring harness)

- ws = white
- sw = black
- ro = red
- rt = red
- br = brown
- gn = green
- bl = blue
- gr = grey
- li = lilac
- vi = lilac
- ge = yellow
- or = orange
- rs = pink



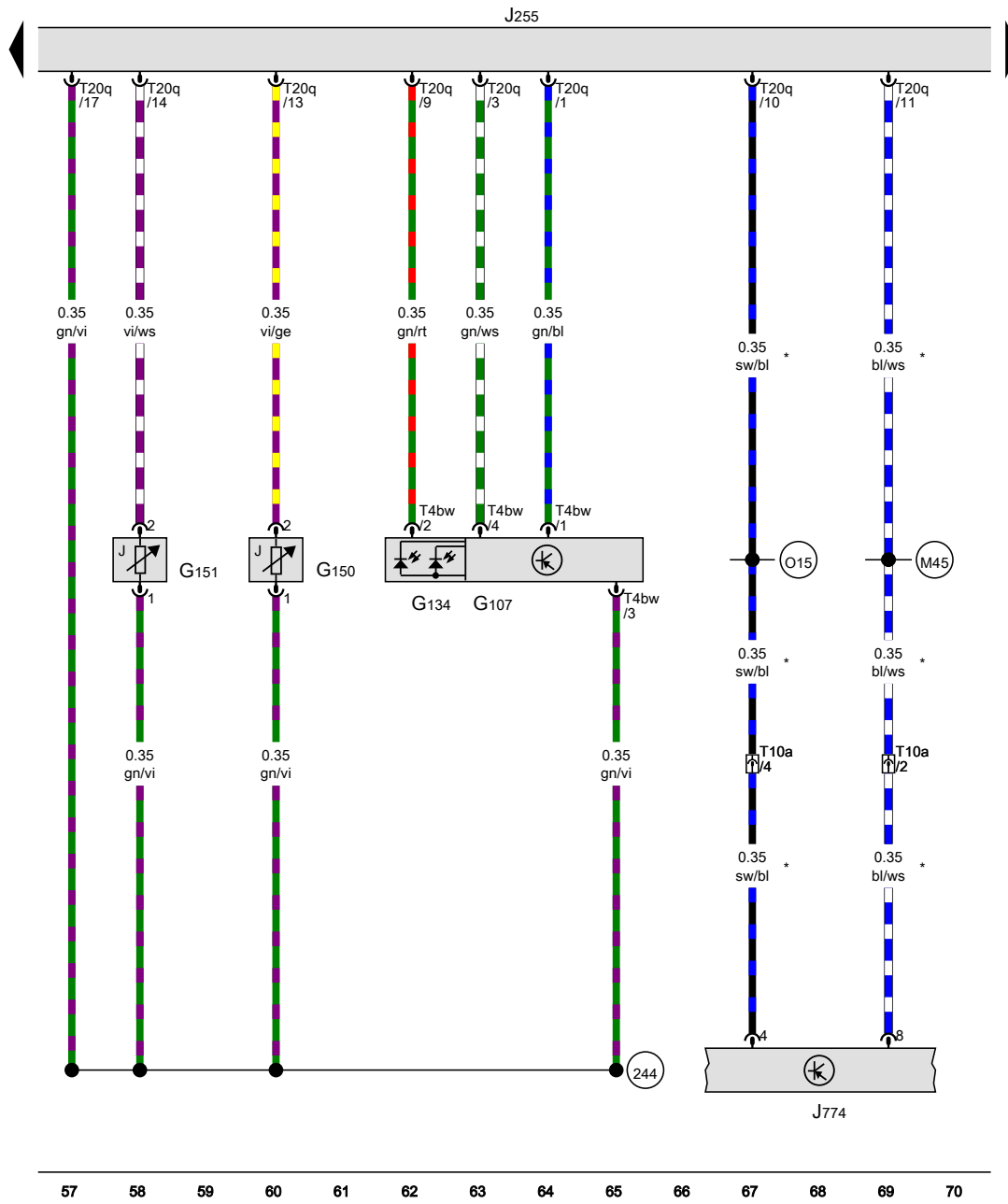
**Climatronic control module, Defroster door motor, Fresh air/recirculating air/back pressure door motor, Front air distribution door motor**

- G135 Defroster door motor position sensor
- G642 Front air distribution door motor position sensor
- G644 Fresh air/recirculating air/back pressure door motor position sensor
- J255 Climatronic control module, behind the center console
- T6n 6-pin connector
- T6q 6-pin connector
- T6r 6-pin connector
- T16c 16-pin connector
- T16d 16-pin connector
- V107 Defroster door motor
- V425 Fresh air/recirculating air/back pressure door motor
- V426 Front air distribution door motor

- (433) Sensor ground connection 2 (in Climatronic wiring harness)
- (L31) Connection (5 Volt) (in A/C system wiring harness)

- ws = white
- sw = black
- ro = red
- rt = red
- br = brown
- gn = green
- bl = blue
- gr = grey
- li = lilac
- vi = lilac
- ge = yellow
- or = orange
- rs = pink

15K1-020050915



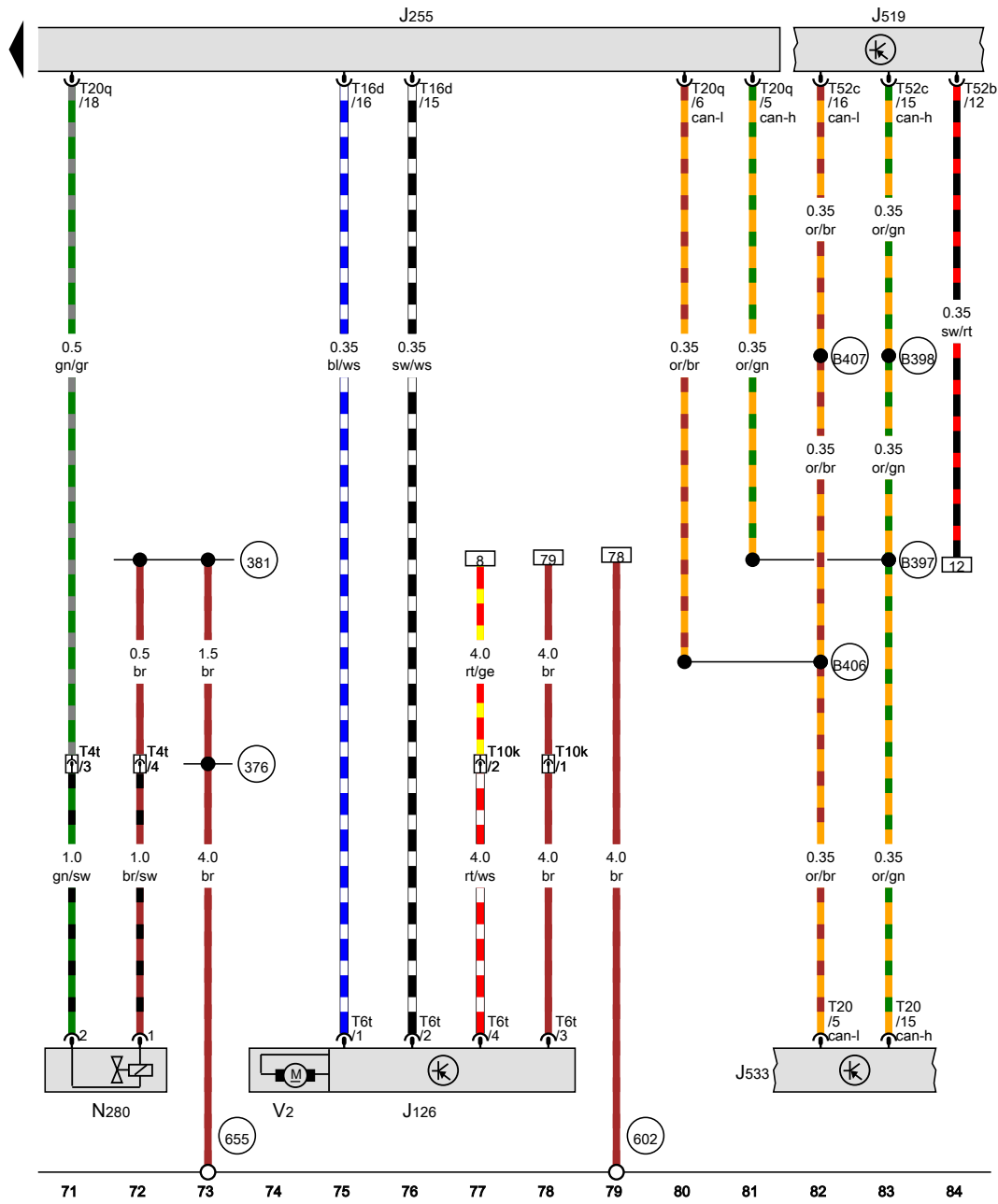
Sunlight photo sensor, Sunlight photo sensor 2, Left vent temperature sensor, Right vent temperature sensor, Climatronic control module

- G107 Sunlight photo sensor
- G134 Sunlight photo sensor 2
- G150 Left vent temperature sensor
- G151 Right vent temperature sensor
- J255 Climatronic control module, behind the center console
- J774 Front seat heating control module
- T4bw 4-pin connector
- T10a 10-pin connector, under the driver seat
- T20q 20-pin connector

- 244 Sensor ground connection (in Climatronic wiring harness)
- M45 Connection 5 (in driver seat wiring harness)
- O15 Connection 4 (in heated seats wiring harness)
- \* Only for vehicles with an auxiliary heater

- ws = white
- sw = black
- ro = red
- rt = red
- br = brown
- gn = green
- bl = blue
- gr = grey
- li = lilac
- vi = lilac
- ge = yellow
- or = orange
- rs = pink

15K1-020060915



**Fresh air blower control module, Climatronic control module, Data bus on board diagnostic interface, Fresh air blower**

- J126 Fresh air blower control module
- J255 Climatronic control module, behind the center console
- J519 Vehicle electrical control module system
- J533 Data bus on board diagnostic interface, in the left footwell, near the center console
- N280 A/C compressor regulator valve
- T4t 4-pin connector
- T6t 6-pin connector
- T10k 10-pin connector
- T16d 16-pin connector
- T20 20-pin connector
- T20q 20-pin connector
- T52b 52-pin connector
- T52c 52-pin connector
- V2 Fresh air blower

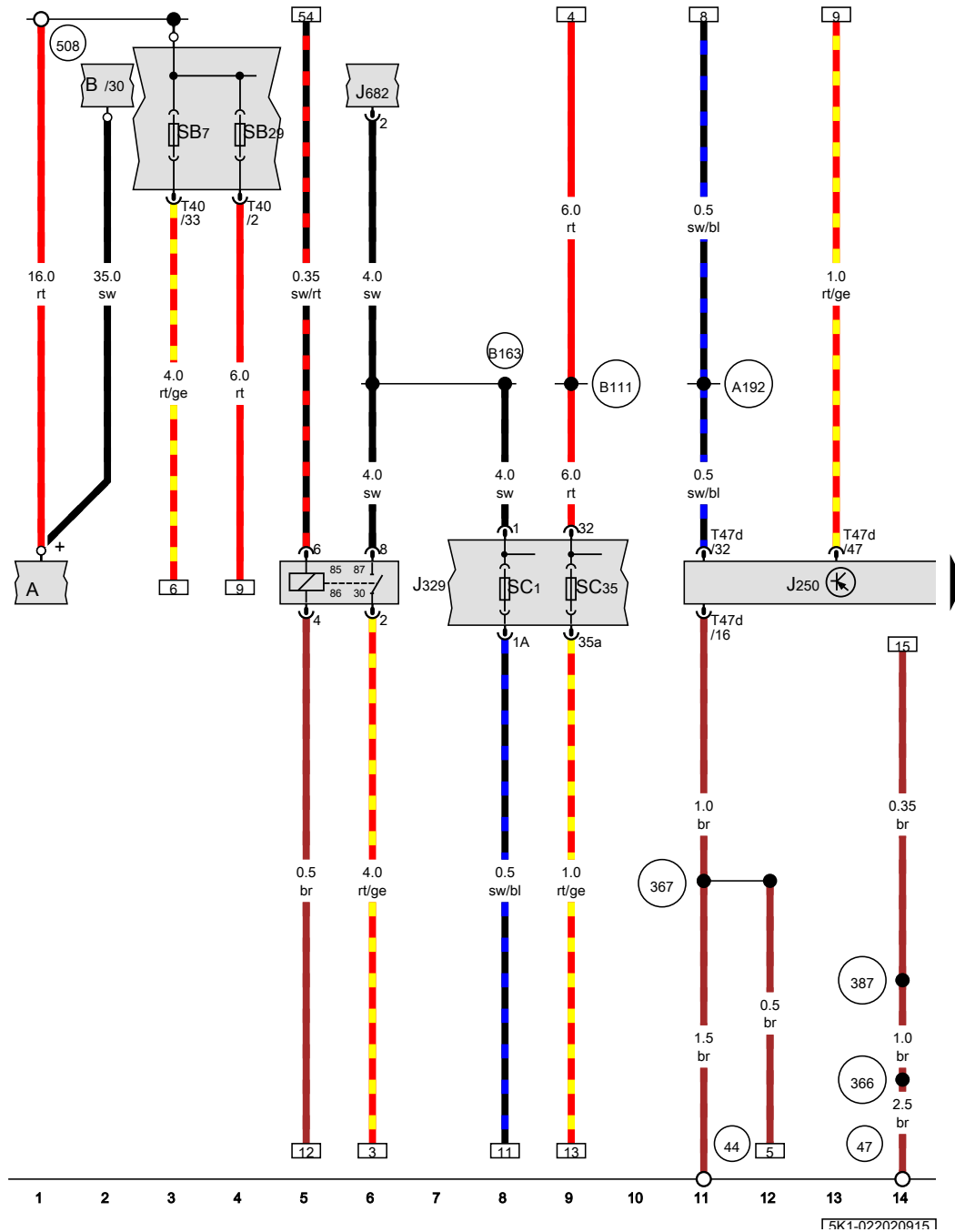
- 376 Ground connection 11 (in main wiring harness)
- 381 Ground connection 16 (in main wiring harness)
- 602 Ground connection in left front footwell
- 655 Ground connection on left headlamp
- B397 Comfort system CAN bus high connection 1 (in main wiring harness)
- B398 Comfort system CAN bus high connection 2 (in main wiring harness)
- B406 Comfort system CAN bus low connection 1 (in main wiring harness)
- B407 Comfort system CAN bus low connection 2 (in main wiring harness)

- ws = white
- sw = black
- ro = red
- rt = red
- br = brown
- gn = green
- bl = blue
- gr = grey
- li = lilac
- vi = lilac
- ge = yellow
- or = orange
- rs = pink

15K1-020070915

**Dynamic Chassis Control (DCC) , (2H1)**

from July 2008



Electronic damping control module, Terminal 15 power supply relay, Fuse 7 (on fuse panel B), Fuse 29 (on fuse panel B)

- A Battery
  - B Starter
  - J250 Electronic damping control module
  - J329 Terminal 15 power supply relay
  - J682 Terminal 50 power supply relay
  - SC1 Fuse 1 (on fuse panel C)
  - SB7 Fuse 7 (on fuse panel B)
  - SB29 Fuse 29 (on fuse panel B)
  - SC35 Fuse 35 (on fuse panel C)
  - T40 40-pin connector
  - T47d 47-pin connector
- 44 Ground connection on A-pillar, lower left
  - 47 Ground connection in right front footwell
  - 366 Ground connection 1 (in main wiring harness)
  - 367 Ground connection 2 (in main wiring harness)
  - 387 Ground connection 22 (in main wiring harness)
  - 508 Terminal 30 threaded connection (on E-box)
  - A192 Positive connection 3 (15a) (in instrument panel wiring harness)
  - B111 Positive connection 1 (30a) (in interior wiring harness)
  - B163 Positive connection 1 (15) (in interior wiring harness)

- ws = white
- sw = black
- ro = red
- rt = red
- br = brown
- gn = green
- bl = blue
- gr = grey
- li = lilac
- vi = lilac
- ge = yellow
- or = orange
- rs = pink

15K1-0220209151

Damping adjustment button, Left front body acceleration sensor, Electronic damping control module, Left front damping adjustment valve, Right front damping adjustment valve

- E387 Damping adjustment button
- G341 Left front body acceleration sensor
- J250 Electronic damping control module
- K189 Damping adjustment indicator lamp
- L76 Push button illumination bulb
- N336 Left front damping adjustment valve
- N337 Right front damping adjustment valve
- T2bi 2-pin connector
- T2bj 2-pin connector
- T3be 3-pin connector
- T6aw 6-pin connector
- T47d 47-pin connector

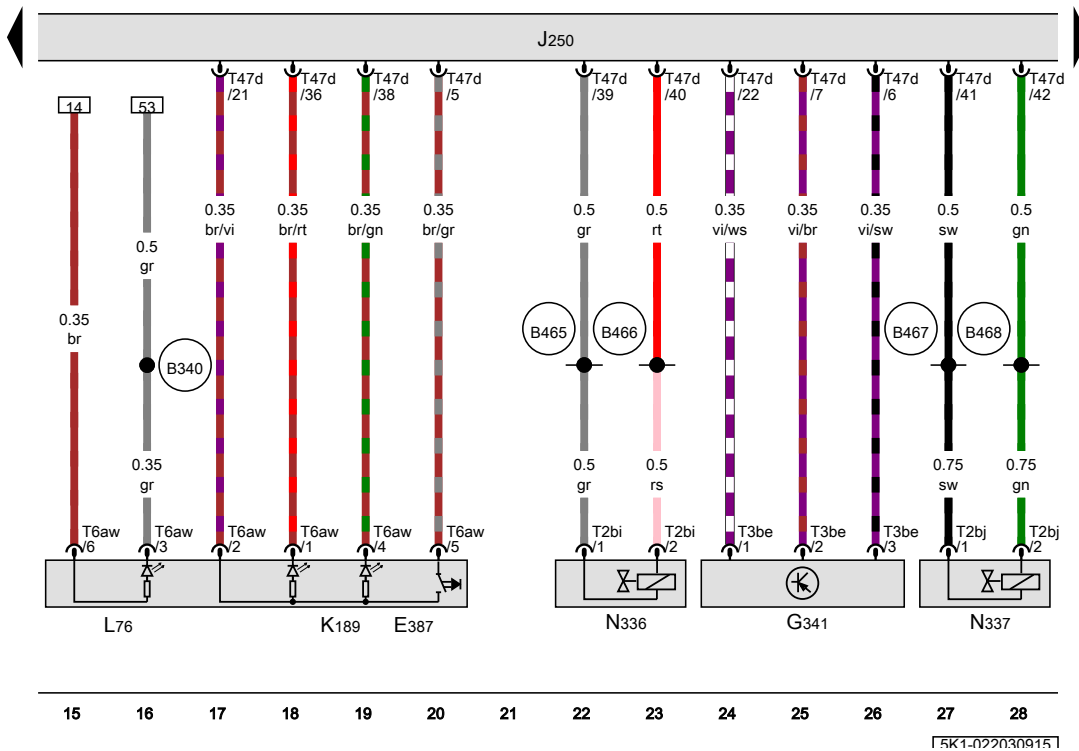
B340 Connection 58d (in main wiring harness) 1

B465 Connection 1 (in main wiring harness)

B466 Connection 2 (in main wiring harness)

B467 Connection 3 (in main wiring harness)

B468 Connection 4 (in main wiring harness)



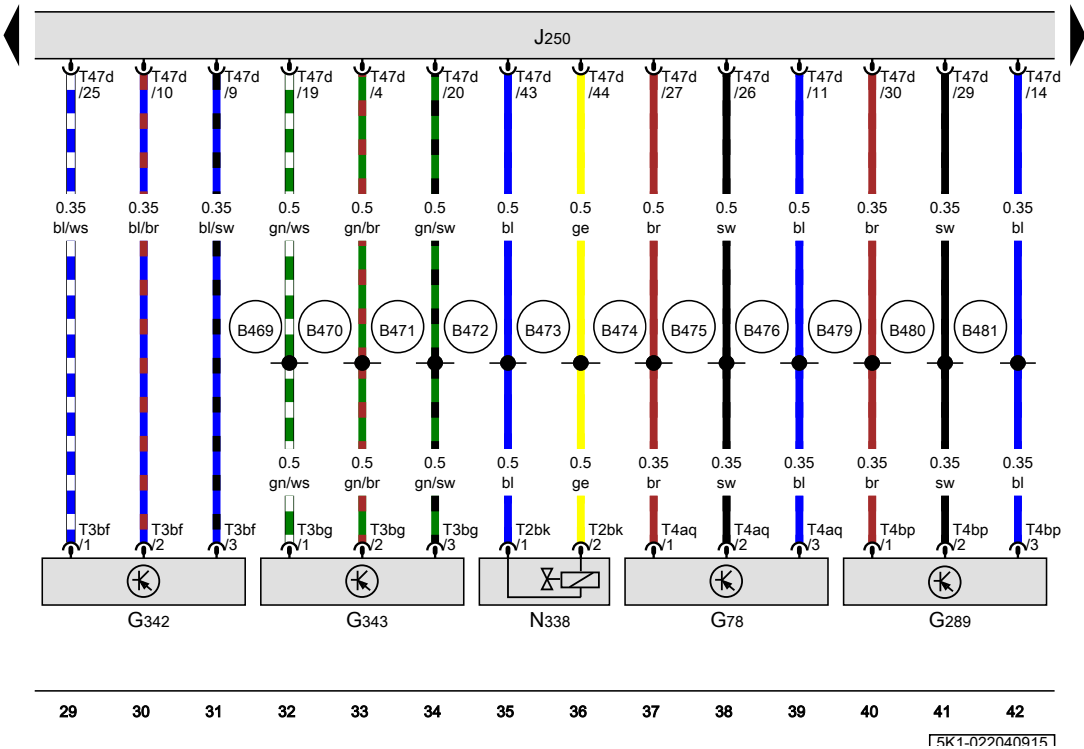
- ws = white
- sw = black
- ro = red
- rt = red
- br = brown
- gn = green
- bl = blue
- gr = grey
- li = lilac
- vi = lilac
- ge = yellow
- or = orange
- rs = pink

ГСК1-0220309151

Left front level control system sensor, Right front level control system sensor, Right front body acceleration sensor, Rear body acceleration sensor, Electronic damping control module, Left rear damping adjustment valve

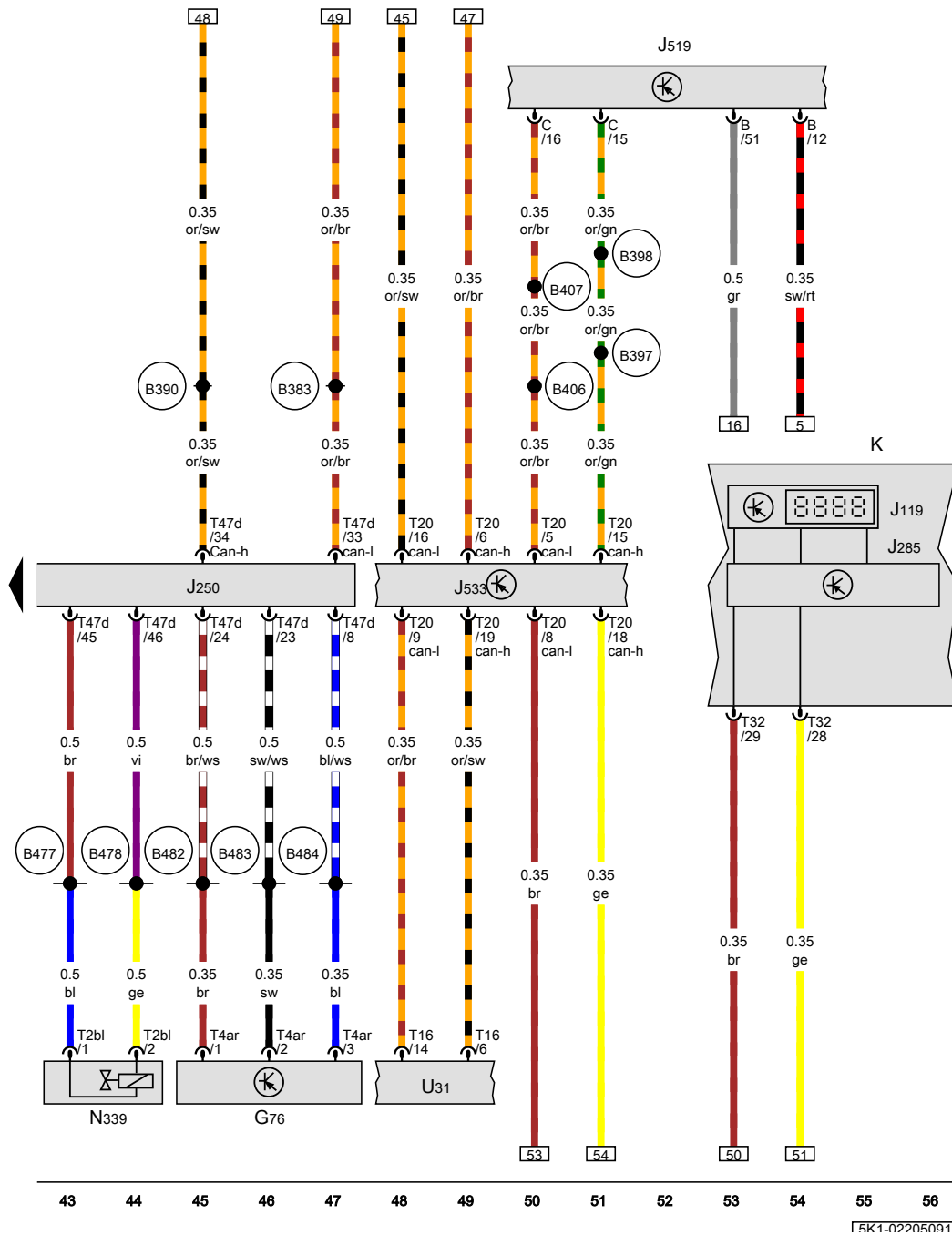
- G78 Left front level control system sensor
- G289 Right front level control system sensor
- G342 Right front body acceleration sensor
- G343 Rear body acceleration sensor
- J250 Electronic damping control module
- N338 Left rear damping adjustment valve
- T2bk 2-pin connector
- T3bf 3-pin connector
- T3bg 3-pin connector
- T4aq 4-pin connector
- T4bp 4-pin connector
- T47d 47-pin connector

- (B469) Connection 5 (in main wiring harness)
- (B470) Connection 6 (in main wiring harness)
- (B471) Connection 7 (in main wiring harness)
- (B472) Connection 8 (in main wiring harness)
- (B473) Connection 9 (in main wiring harness)
- (B474) Connection 10 (in main wiring harness)
- (B475) Connection 11 (in main wiring harness)
- (B476) Connection 12 (in main wiring harness)
- (B479) Connection 15 (in main wiring harness)
- (B480) Connection 16 (in main wiring harness)
- (B481) Connection 17 (in main wiring harness)



15K1-0220409151





- ws = white
- sw = black
- ro = red
- rt = red
- br = brown
- gn = green
- bl = blue
- gr = grey
- li = lilac
- vi = lilac
- ge = yellow
- or = orange
- rs = pink

**Left rear level control system sensor, Multifunction indicator, Electronic damping control module, Instrument cluster control module, Right rear damping adjustment valve**

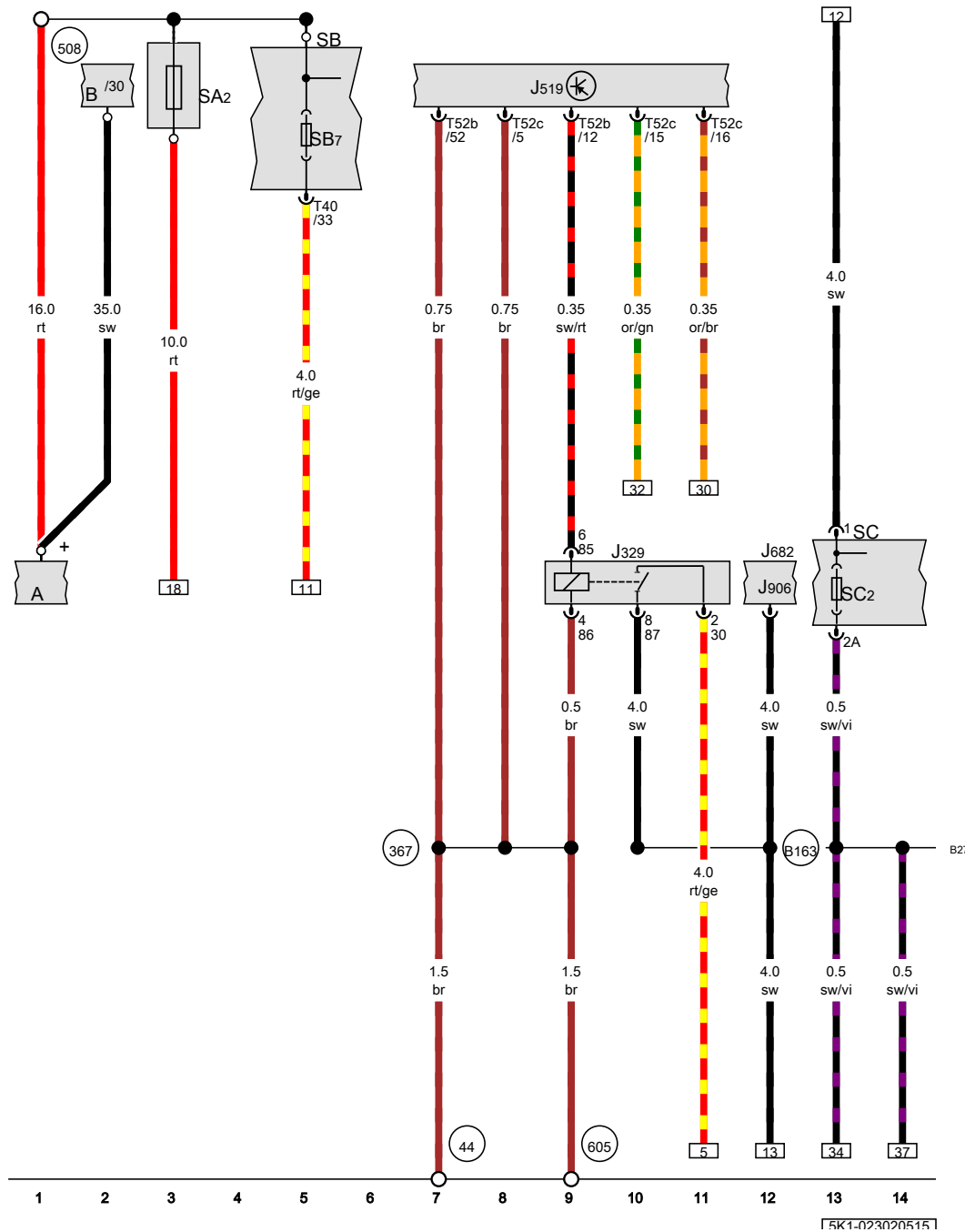
- G76 Left rear level control system sensor
- J119 Multifunction indicator
- J250 Electronic damping control module
- J285 Instrument cluster control module
- J519 Vehicle electrical control module system
- J533 Data bus on board diagnostic interface
- K Instrument cluster
- N339 Right rear damping adjustment valve
- T2bl 2-pin connector
- T4ar 4-pin connector
- T16 16-pin connector
- T20 20-pin connector
- T32 32-pin connector
- T47d 47-pin connector
- U31 Diagnostic connection

- (B383) Powertrain CAN bus high connection 1 (in main wiring harness)
- (B390) Powertrain CAN bus low connection 1 (in main wiring harness)
- (B397) Comfort system CAN bus high connection 1 (in main wiring harness)
- (B398) Comfort system CAN bus high connection 2 (in main wiring harness)
- (B406) Comfort system CAN bus low connection 1 (in main wiring harness)
- (B407) Comfort system CAN bus low connection 2 (in main wiring harness)
- (B477) Connection 13 (in main wiring harness)
- (B478) Connection 14 (in main wiring harness)
- (B482) Connection 18 (in main wiring harness)
- (B483) Connection 19 (in main wiring harness)
- (B484) Connection 20 (in main wiring harness)

15K1-022050915

**Power steering, electromechanical , (1N3),(QZ0)**

from July 2008



Terminal 15 power supply relay, Fuse 2 (on fuse panel A), Fuse panel B, Fuse 7 (on fuse panel B), Fuse panel C, Fuse 2 (on fuse panel C)

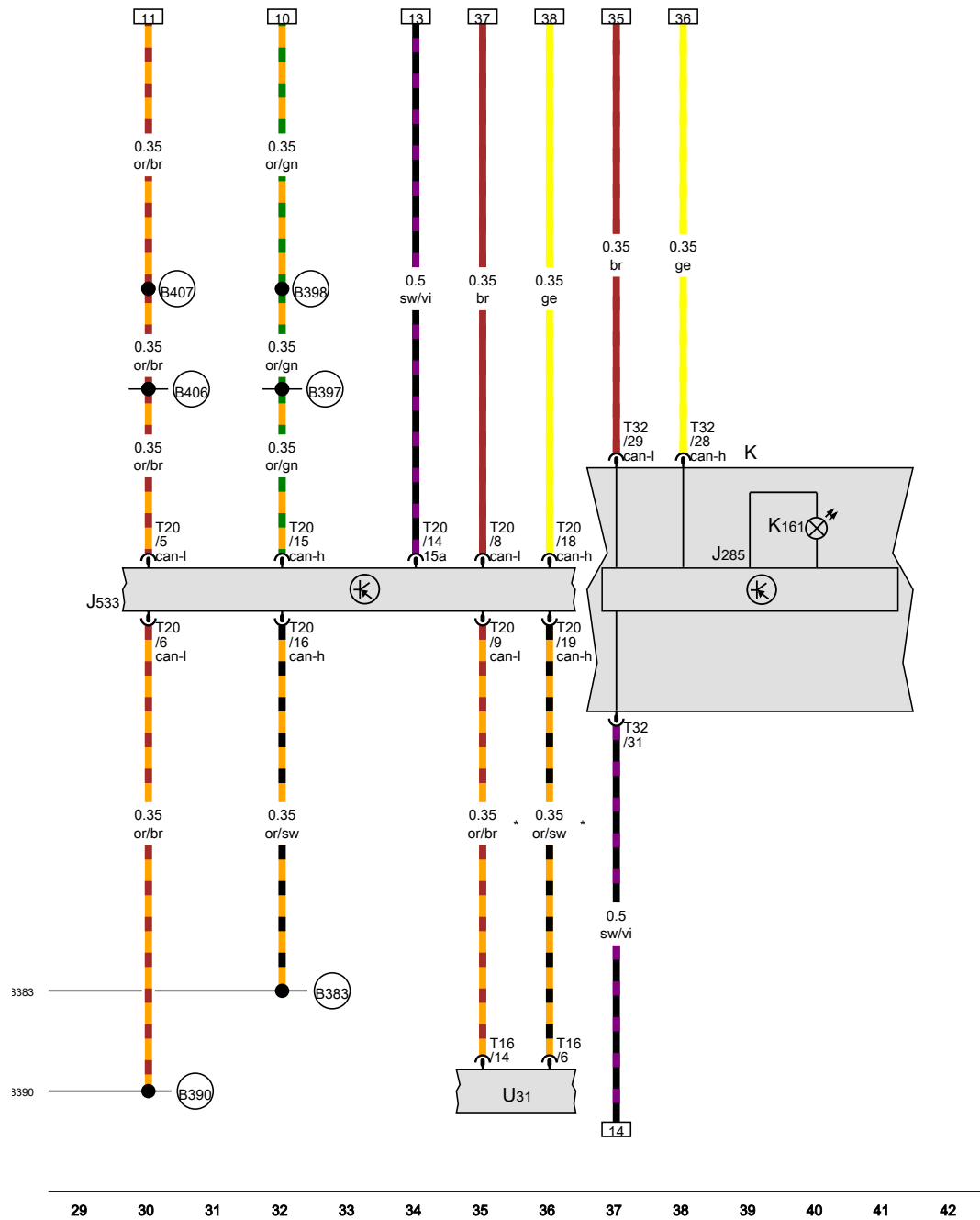
- A Battery
- B Starter
- J329 Terminal 15 power supply relay
- J519 Vehicle electrical control module system
- J682 Terminal 50 power supply relay
- J906 Starter relay 1
- SA2 Fuse 2 (on fuse panel A)
- SB Fuse panel B
- SB7 Fuse 7 (on fuse panel B)
- SC Fuse panel C
- SC2 Fuse 2 (on fuse panel C)
- T40 40-pin connector
- T52b 52-pin connector
- T52c 52-pin connector

- 44 Ground connection on A-pillar, lower left
- 367 Ground connection 2 (in main wiring harness)
- 508 Terminal 30 threaded connection (on E-box)
- 605 Ground connection on upper steering column
- B163 Positive connection 1 (15) (in interior wiring harness)
- B278 Positive connection 2 (15a) (in main wiring harness)

- ws = white
- sw = black
- ro = red
- rt = red
- br = brown
- gn = green
- bl = blue
- gr = grey
- li = lilac
- vi = lilac
- ge = yellow
- or = orange
- rs = pink

15K1-023020515





**Instrument cluster control module, Data bus on board diagnostic interface, Electromechanical power steering indicator lamp**

- J285 Instrument cluster control module
- J533 Data bus on board diagnostic interface, in the left footwell, near the center console
- K Instrument cluster
- K161 Electromechanical power steering indicator lamp
- T16 16-pin connector
- T20 20-pin connector
- T32 32-pin connector
- U31 Diagnostic connection

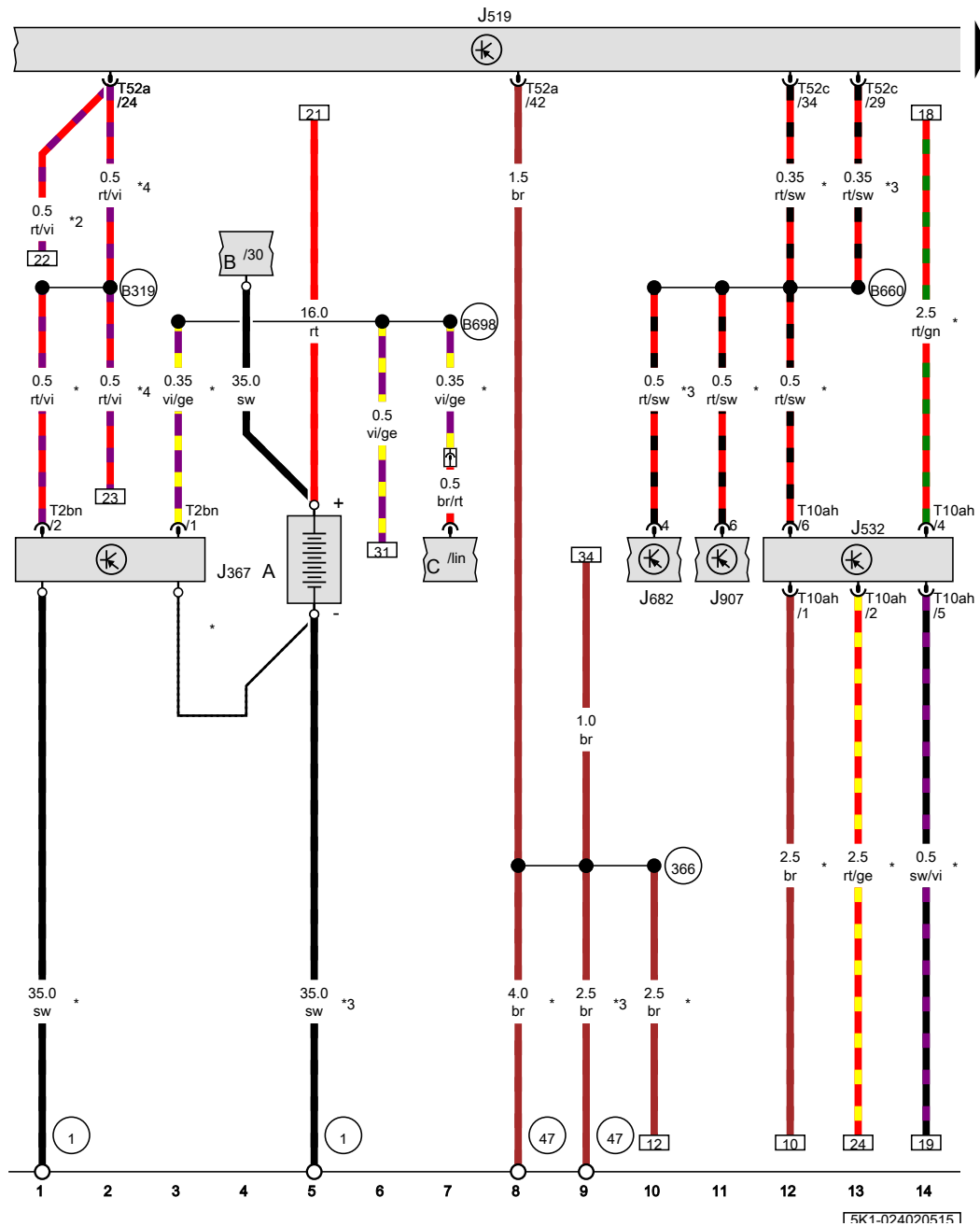
- B383 Powertrain CAN bus high connection 1 (in main wiring harness)
- B390 Powertrain CAN bus low connection 1 (in main wiring harness)
- B397 Comfort system CAN bus high connection 1 (in main wiring harness)
- B398 Comfort system CAN bus high connection 2 (in main wiring harness)
- B406 Comfort system CAN bus low connection 1 (in main wiring harness)
- B407 Comfort system CAN bus low connection 2 (in main wiring harness)
- \* Diagnostic connector

- ws = white
- sw = black
- ro = red
- rt = red
- br = brown
- gn = green
- bl = blue
- gr = grey
- li = lilac
- vi = lilac
- ge = yellow
- or = orange
- rs = pink

15K1-023040515

## Steering wheel, multifunction

from July 2008



**Battery, Battery monitoring control module, Voltage stabilizer**

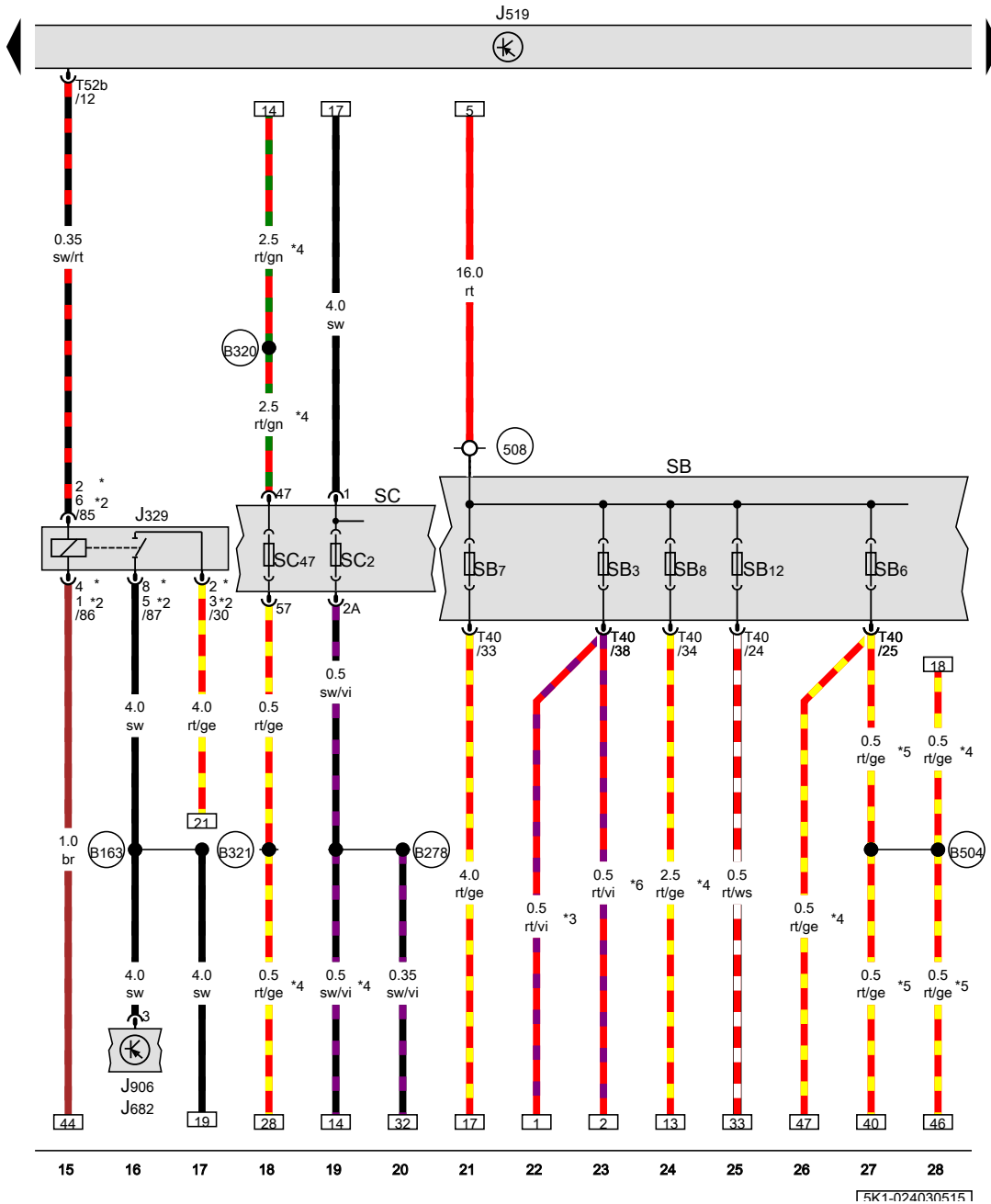
- A Battery
- B Starter
- C Generator
- J367 Battery monitoring control module
- J519 Vehicle electrical control module system
- J532 Voltage stabilizer
- J682 Terminal 50 power supply relay
- J907 Starter relay 2
- T2bn Double connector
- T4t 4-pin connector, near the starter
- T10ah 10-pin connector
- T52a 52-pin connector
- T52c 52-pin connector

- 1 Ground strap, battery to body
- 47 Ground connection in right front footwell
- 366 Ground connection 1 (in main wiring harness)
- B319 Positive connection 5 (30a) (in main wiring harness)
- B660 Diagnostic terminal 50 connection (in main wiring harness)
- B698 LIN bus connection 3 (in main wiring harness)
- \* Only for vehicles with Start/Stop system
- \*2 through April 2009
- \*3 Only for vehicles without Start/Stop system
- \*4 from May 2009

- ws = white
- sw = black
- ro = red
- rt = red
- br = brown
- gn = green
- bl = blue
- gr = grey
- li = lilac
- vi = lilac
- ge = yellow
- or = orange
- rs = pink

1510520241-K15

Terminal 15 power supply relay, Fuse panel B, Fuse panel C



- J329 Terminal 15 power supply relay
- J519 Vehicle electrical control module system
- J682 Terminal 50 power supply relay
- J906 Starter relay 1
- SB Fuse panel B
- SC2 Fuse 2 (on fuse panel C)
- SB3 Fuse 3 (on fuse panel B)
- SB6 Fuse 6 (on fuse panel B)
- SB7 Fuse 7 (on fuse panel B)
- SB8 Fuse 8 (on fuse panel B)
- SB12 Fuse 12 (on fuse panel B)
- SC Fuse panel C
- SC47 Fuse 47 (on fuse panel C)
- T40 40-pin connector
- T52b 52-pin connector

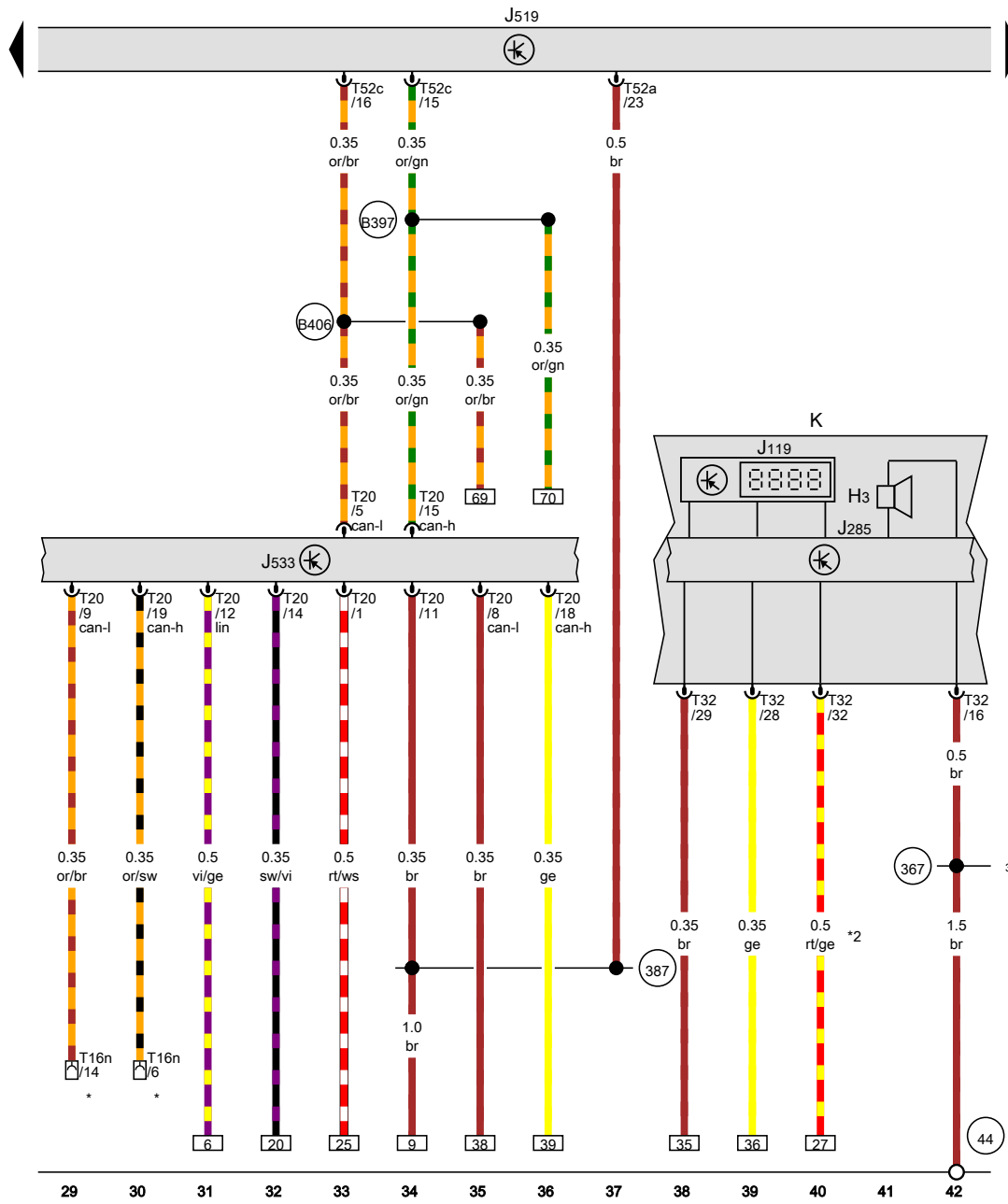
- 508 Terminal 30 threaded connection (on E-box)
- B163 Positive connection 1 (15) (in interior wiring harness)
- B278 Positive connection 2 (15a) (in main wiring harness)
- B320 Positive connection 6 (30a) (in main wiring harness)
- B321 Positive connection 7 (30a) (in main wiring harness)
- B504 Positive connection 8 (30a) (in interior wiring harness)

- \* Through October 2009
- \*2 from November 2009
- \*3 through April 2009
- \*4 Only for vehicles with Start/Stop system
- \*5 Only for vehicles without Start/Stop system
- \*6 from May 2009

- ws = white
- sw = black
- ro = red
- rt = red
- br = brown
- gn = green
- bl = blue
- gr = grey
- li = lilac
- vi = lilac
- ge = yellow
- or = orange
- rs = pink

15K1-024030515





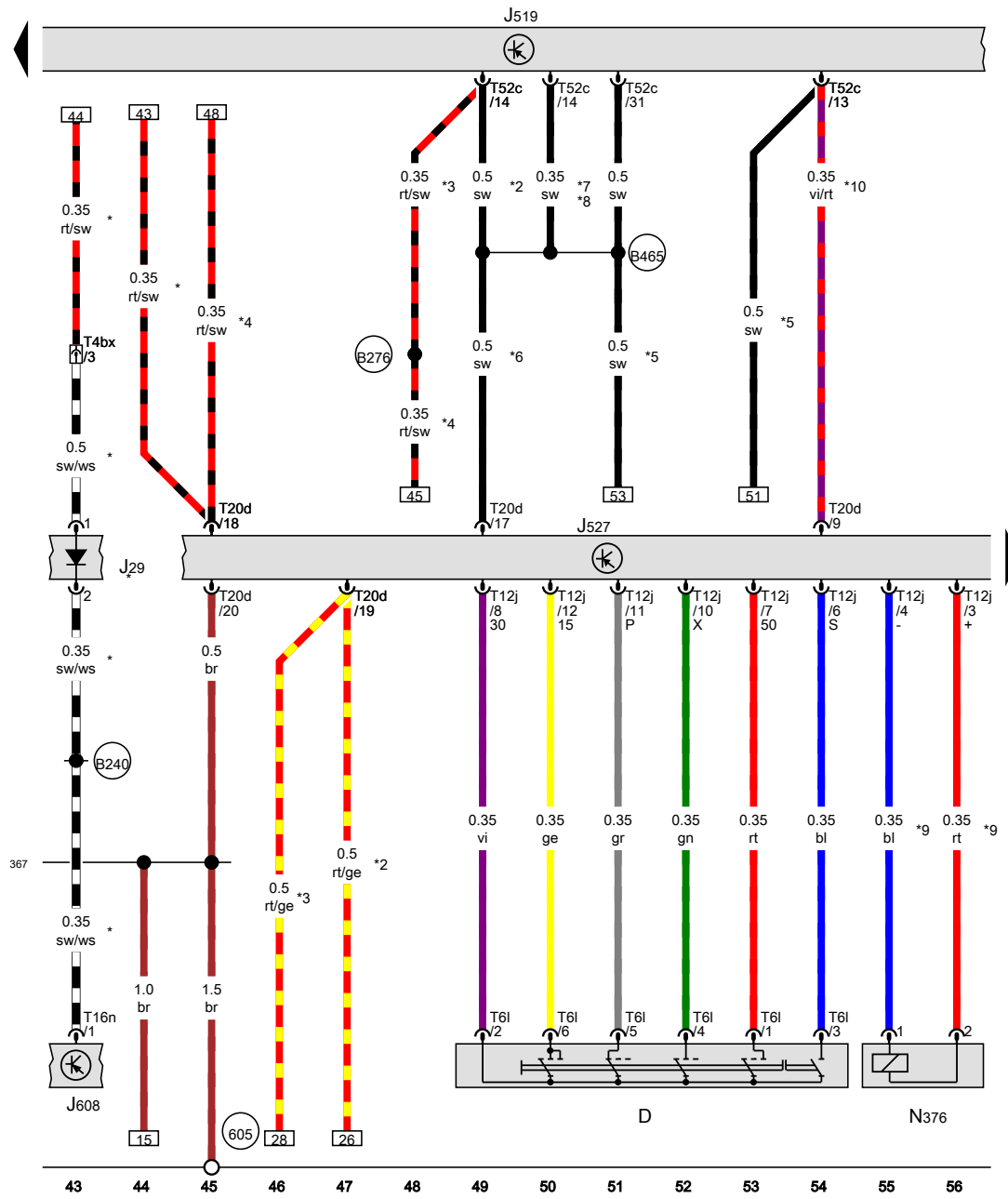
Multifunction indicator, Instrument cluster control module, Data bus on board diagnostic interface

- H3 Warning buzzer and tone
- J119 Multifunction indicator
- J285 Instrument cluster control module
- J519 Vehicle electrical control module system
- J533 Data bus on board diagnostic interface, in the left footwell, near the center console
- K Instrument cluster
- T16n 16-pin connector, under the instrument panel, left
- T20 20-pin connector
- T32 32-pin connector
- T52a 52-pin connector
- T52c 52-pin connector

- 44 Ground connection on A-pillar, lower left
- 367 Ground connection 2 (in main wiring harness)
- 387 Ground connection 22 (in main wiring harness)
- B397 Comfort system CAN bus high connection 1 (in main wiring harness)
- B406 Comfort system CAN bus low connection 1 (in main wiring harness)
- \* Diagnostic connector
- \*2 Only for vehicles without Start/Stop system

- ws = white
- sw = black
- ro = red
- rt = red
- br = brown
- gn = green
- bl = blue
- gr = grey
- li = lilac
- vi = lilac
- ge = yellow
- or = orange
- rs = pink

15K1-02440515



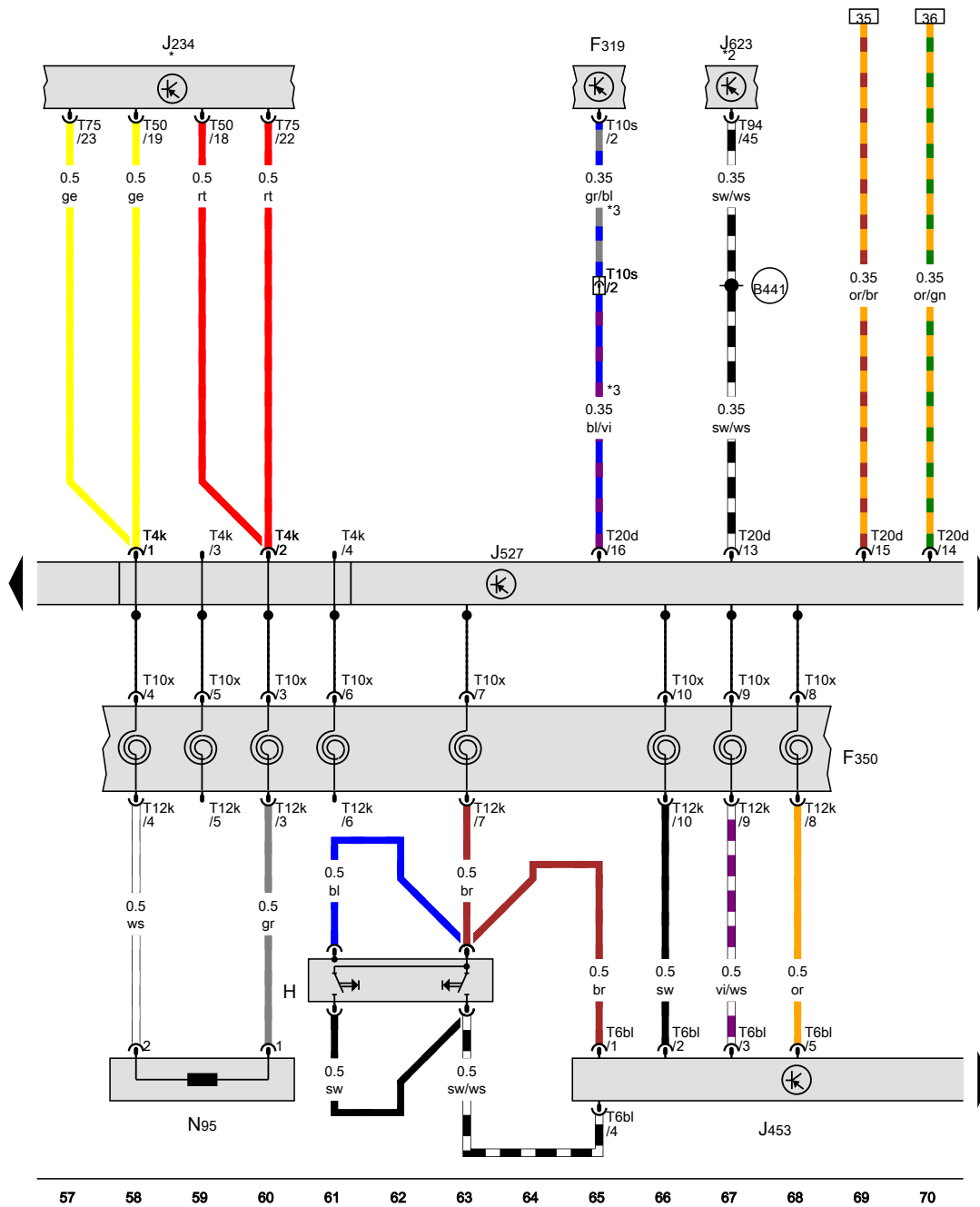
Ignition/starter switch, Steering column electronics control module, Ignition switch key lock solenoid

- D Ignition/starter switch
- J29 Blocking diode
- J519 Vehicle electrical control module system
- J527 Steering column electronics control module
- J608 Special purpose vehicle control module
- N376 Ignition switch key lock solenoid, on the ignition/starter switch
- T4bx 4-pin connector, near the lower left A-pillar
- T6i 6-pin connector
- T12j 12-pin connector
- T16n 16-pin connector
- T20d 20-pin connector
- T52c 52-pin connector

- 367 Ground connection 2 (in main wiring harness)
- 605 Ground connection on upper steering column
- B240 Positive connection 2 (50) (in interior wiring harness)
- B276 Positive connection (50) (in main wiring harness)
- B465 Connection 1 (in main wiring harness)
- \* only for vehicles with driving assistance special equipment
- \*2 Only for vehicles with Start/Stop system
- \*3 Only for vehicles without Start/Stop system
- \*4 only for vehicles without driving assistance special equipment from May 2009
- \*5 only for vehicles without police special equipment
- \*6 Only for vehicles with US equipment
- \*7 Refer to applicable engine wiring diagram
- \*8 Only for vehicles with DSG transmission through April 2009
- \*9
- \*10

- ws = white
- sw = black
- ro = red
- rt = red
- br = brown
- gn = green
- bl = blue
- gr = grey
- li = lilac
- vi = lilac
- ge = yellow
- or = orange
- rs = pink

15K1-024050515



Signal horn activation, Multifunction steering wheel control module, Steering column electronics control module, Driver airbag igniter

- F319 Selector lever park position lock switch
- F350 Spiral spring
- H Signal horn activation
- J234 Airbag control module
- J453 Multifunction steering wheel control module, in the steering wheel
- J527 Steering column electronics control module
- J623 Engine control module
- N95 Driver airbag igniter
- T4k 4-pin connector
- T6bl 6-pin connector
- T10s 10-pin connector, under the selector lever
- T10x 10-pin connector
- T12k 12-pin connector
- T20d 20-pin connector
- T50 50-pin connector
- T75 75-pin connector
- T94 94-pin connector

B441 Cruise control connection (in main wiring harness)

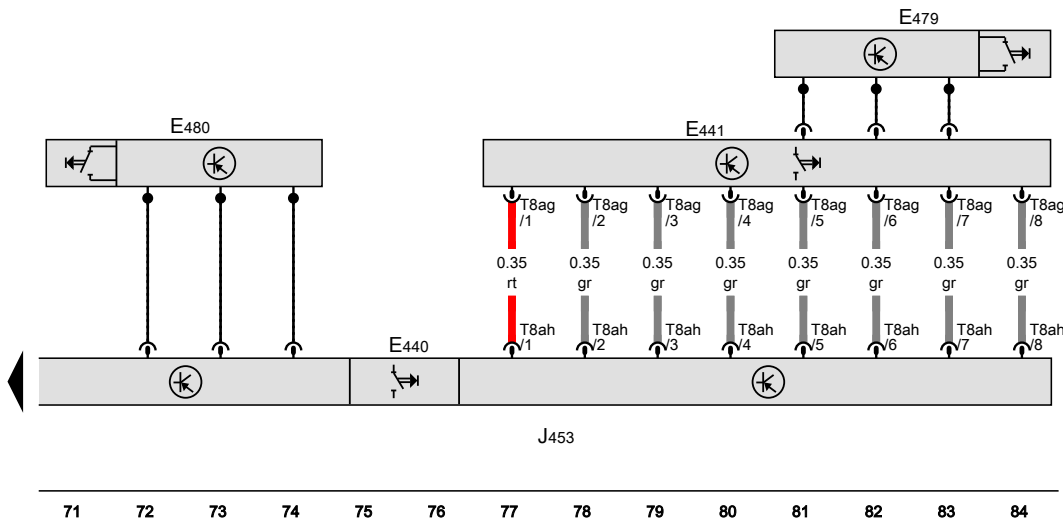
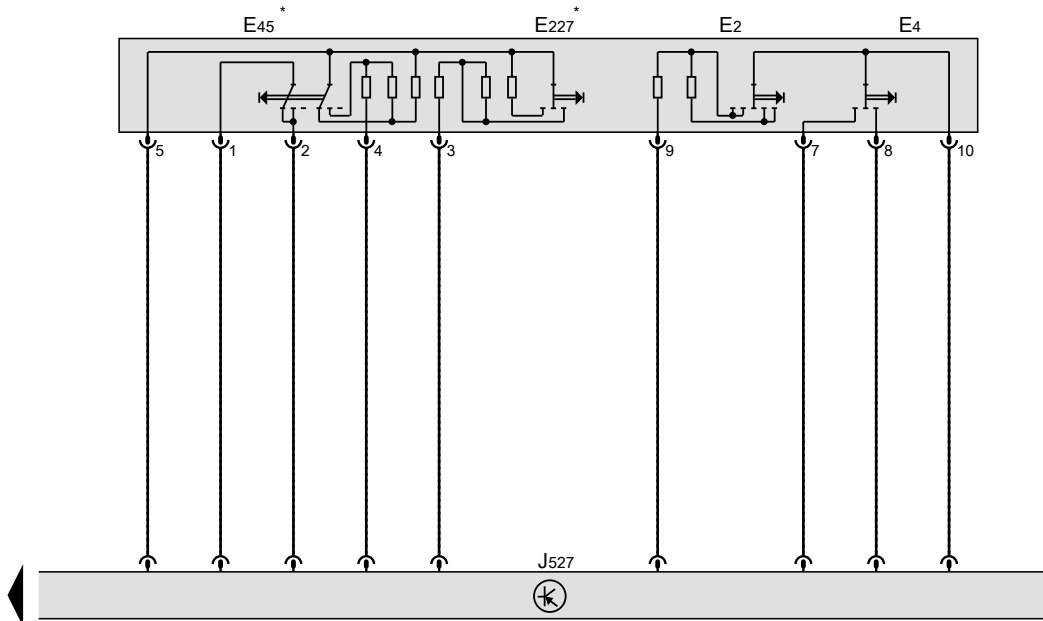
- \* Refer to applicable airbag wiring diagram
- \*2 Refer to applicable engine wiring diagram
- \*3 Only for vehicles with DSG transmission

- ws = white
- sw = black
- ro = red
- rt = red
- br = brown
- gn = green
- bl = blue
- gr = grey
- li = lilac
- vi = lilac
- ge = yellow
- or = orange
- rs = pink

15K1-0240605151

Turn signal switch, Headlamp dimmer/flasher switch, Cruise control switch, Cruise control -SET- button, Left multifunction buttons on steering wheel, Right multifunction buttons on steering wheel, tiptronic upshift button, tiptronic downshift button, Multifunction steering wheel control module, Steering column electronics control module

- E2 Turn signal switch
- E4 Headlamp dimmer/flasher switch
- E45 Cruise control switch
- E227 Cruise control -SET- button
- E440 Left multifunction buttons on steering wheel
- E441 Right multifunction buttons on steering wheel
- E479 tiptronic upshift button
- E480 tiptronic downshift button
- J453 Multifunction steering wheel control module, in the steering wheel
- J527 Steering column electronics control module
- T8ag 8-pin connector
- T8ah 8-pin connector
- \* Only for vehicles with cruise control

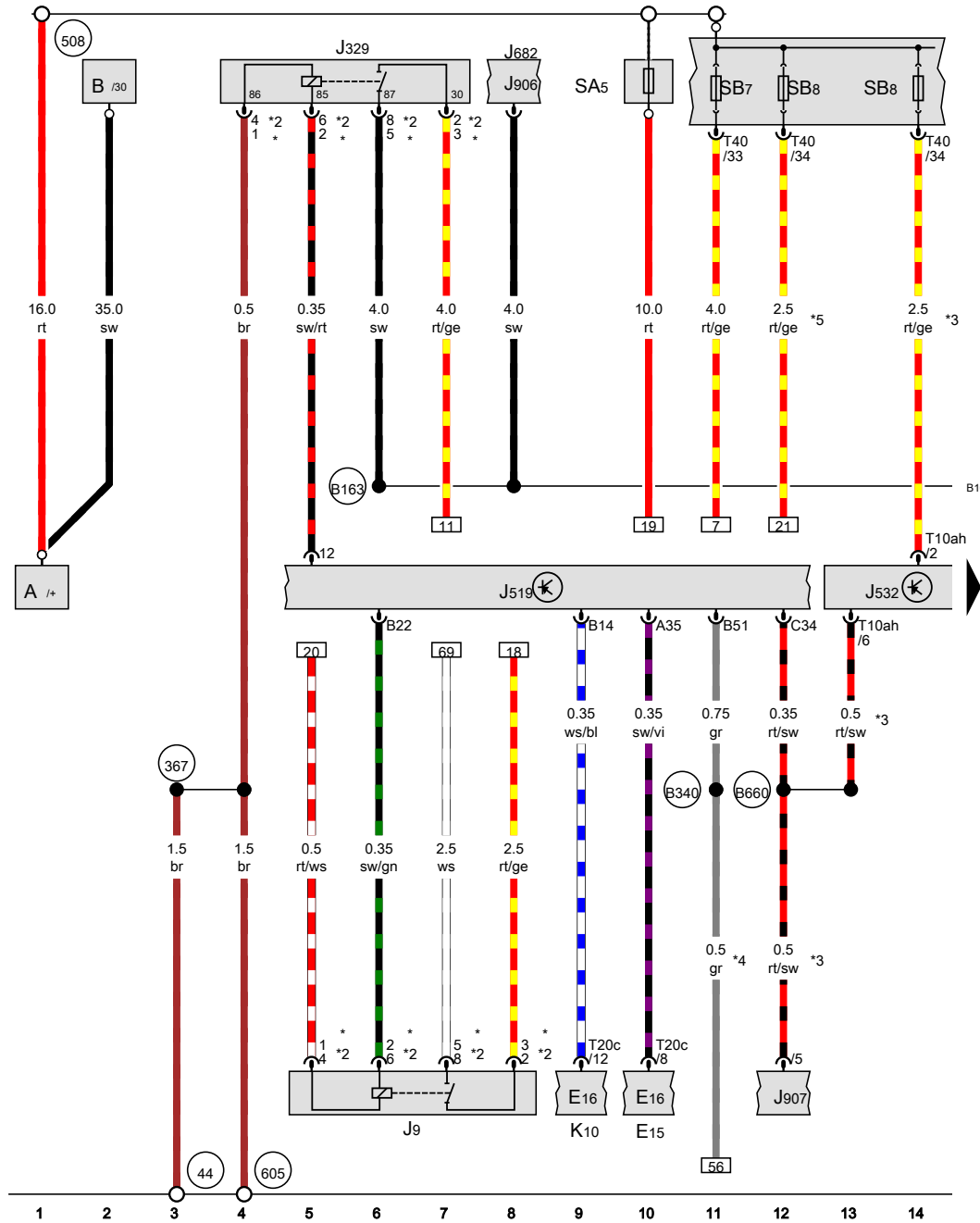


- ws = white
- sw = black
- ro = red
- rt = red
- br = brown
- gn = green
- bl = blue
- gr = grey
- li = lilac
- vi = lilac
- ge = yellow
- or = orange
- rs = pink

15K1-0240705151

**Radio system , (7Q0)**

from July 2008



Rear window defogger relay, Terminal 15 power supply relay, Voltage stabilizer

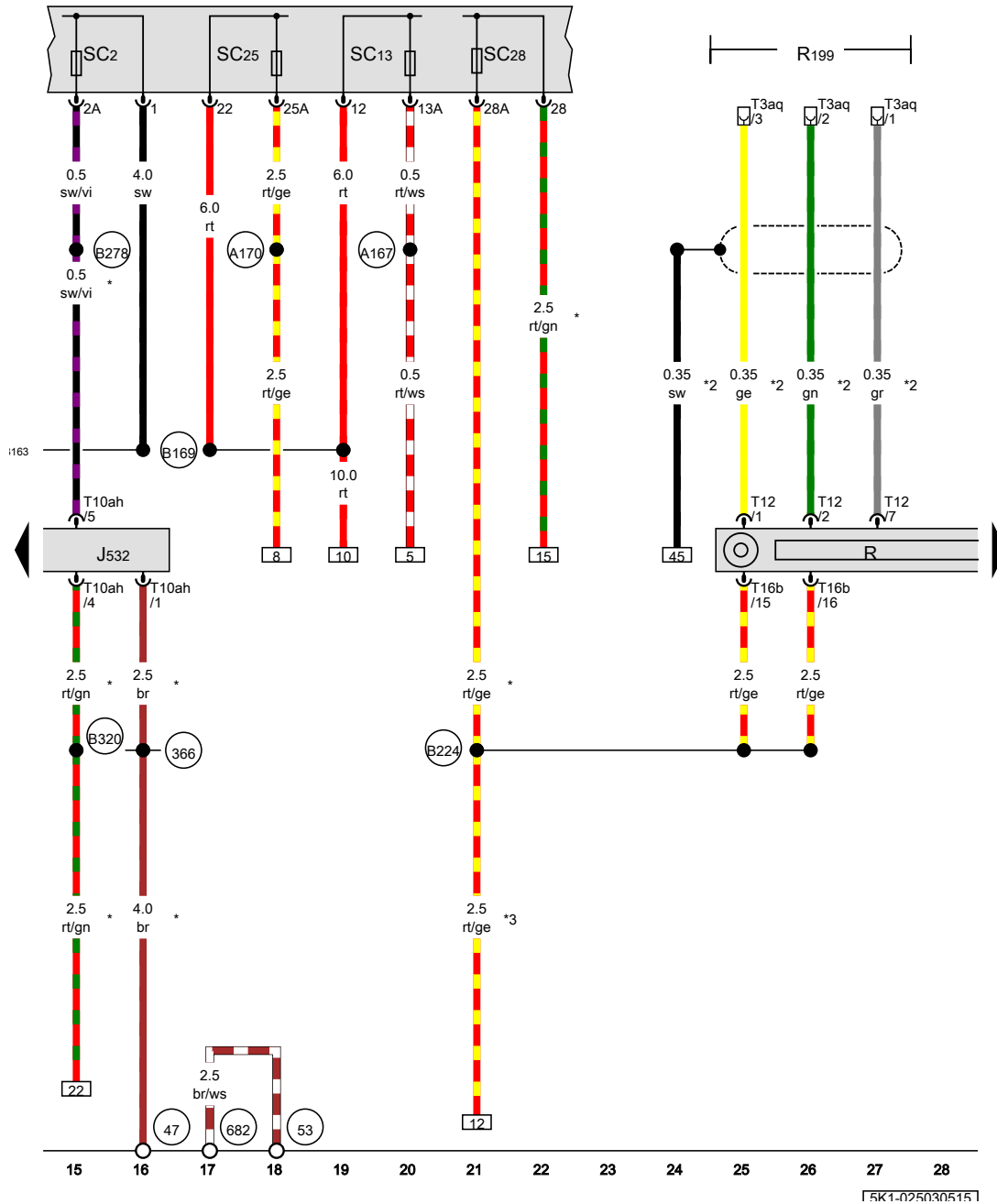
- A Battery
- B Starter
- E15 Rear window defogger switch
- E16 Heater/heat output switch
- J9 Rear window defogger relay
- J329 Terminal 15 power supply relay
- J519 Vehicle electrical control module system
- J532 Voltage stabilizer
- J682 Terminal 50 power supply relay
- J906 Starter relay 1
- J907 Starter relay 2
- K10 Rear window defogger indicator lamp
- SA5 Fuse 5 (on fuse panel A)
- SB7 Fuse 7 (on fuse panel B)
- SB8 Fuse 8 (on fuse panel B)
- T10ah 10-pin connector
- T20c 20-pin connector
- T40 40-pin connector

- 44 Ground connection on A-pillar, lower left
- 367 Ground connection 2 (in main wiring harness)
- 508 Terminal 30 threaded connection (on E-box)
- 605 Ground connection on upper steering column
- B163 Positive connection 1 (15) (in interior wiring harness)
- B340 Connection 58d (in main wiring harness) 1
- B660 Diagnostic terminal 50 connection (in main wiring harness)

- ws = white
- sw = black
- ro = red
- rt = red
- br = brown
- gn = green
- bl = blue
- gr = grey
- li = lilac
- vi = lilac
- ge = yellow
- or = orange
- rs = pink

- \* from November 2009
- \*2 Through October 2009
- \*3 Only for vehicles with Start/Stop system
- \*4 Only for vehicles with CD changer/CD changer prep
- \*5 Only for vehicles without Start/Stop system

1FK1-025020515



Voltage stabilizer, Radio, External audio source connection

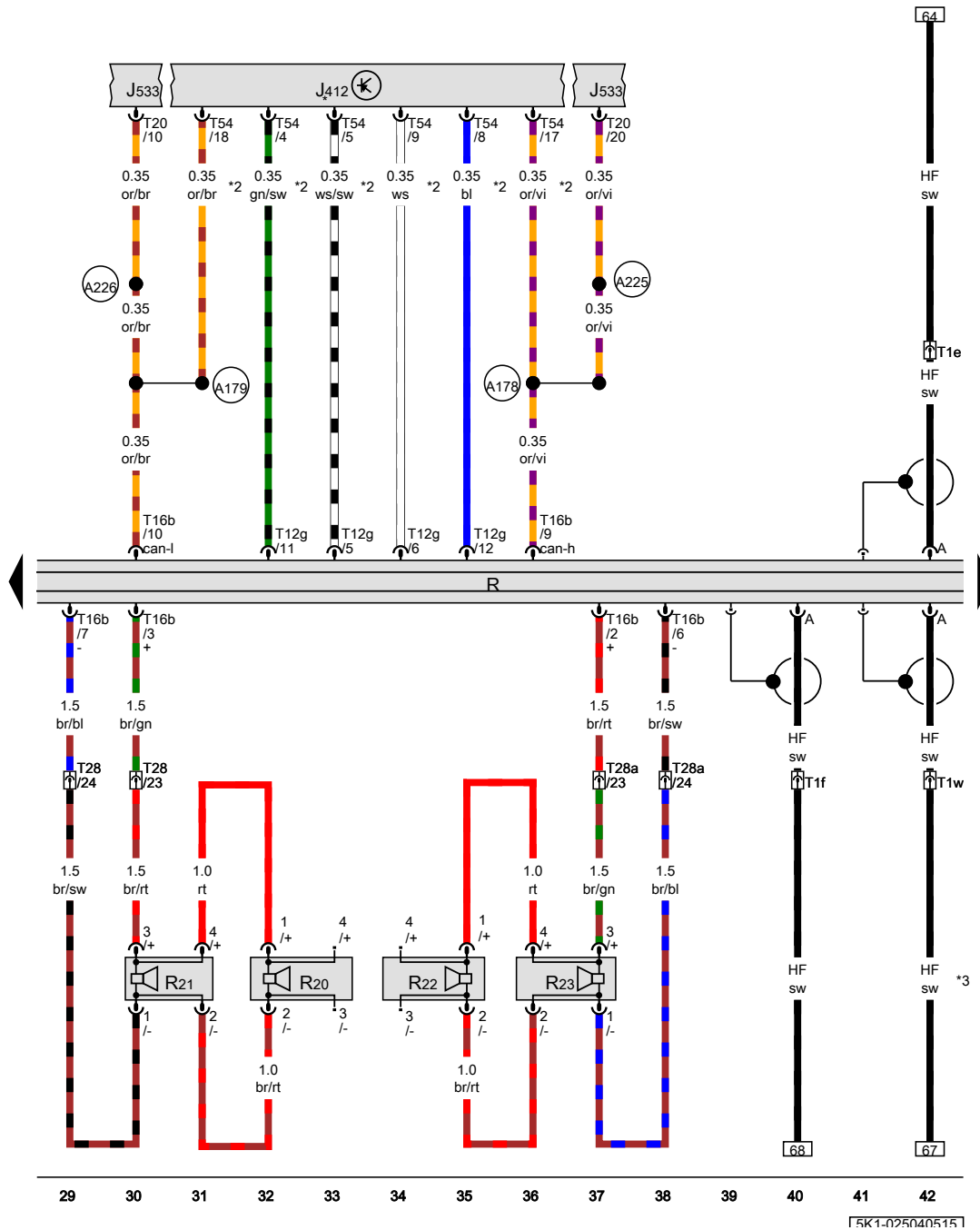
- J532 Voltage stabilizer
- R Radio
- R199 External audio source connection
- SC2 Fuse 2 (on fuse panel C)
- SC13 Fuse 13 (on fuse panel C)
- SC25 Fuse 25 (on fuse panel C)
- SC28 Fuse 28 (on fuse panel C)
- T3aq 3-pin connector, in the glove compartment
- T10ah 10-pin connector
- T12 12-pin connector
- T16b 16-pin connector

- 47 Ground connection in right front footwell
- 53 Ground connection in rear lid, right
- 366 Ground connection 1 (in main wiring harness)
- 682 Ground connection 2 in right rear side panel
- A167 Positive connection 3 (30a) (in instrument panel wiring harness)
- A170 Connection 58R (in instrument panel wiring harness) 2
- B163 Positive connection 1 (15) (in interior wiring harness)
- B169 Positive connection 1 (30) (in interior wiring harness)
- B224 Radio connection 1 (in interior wiring harness)
- B278 Positive connection 2 (15a) (in main wiring harness)
- B320 Positive connection 6 (30a) (in main wiring harness)

- ws = white
- sw = black
- ro = red
- rt = red
- br = brown
- gn = green
- bl = blue
- gr = grey
- li = lilac
- vi = lilac
- ge = yellow
- or = orange
- rs = pink

- \* Only for vehicles with Start/Stop system
- \*2 Only for vehicles with CD changer and external audio source connection
- \*3 Only for vehicles without Start/Stop system

15K1-025030515



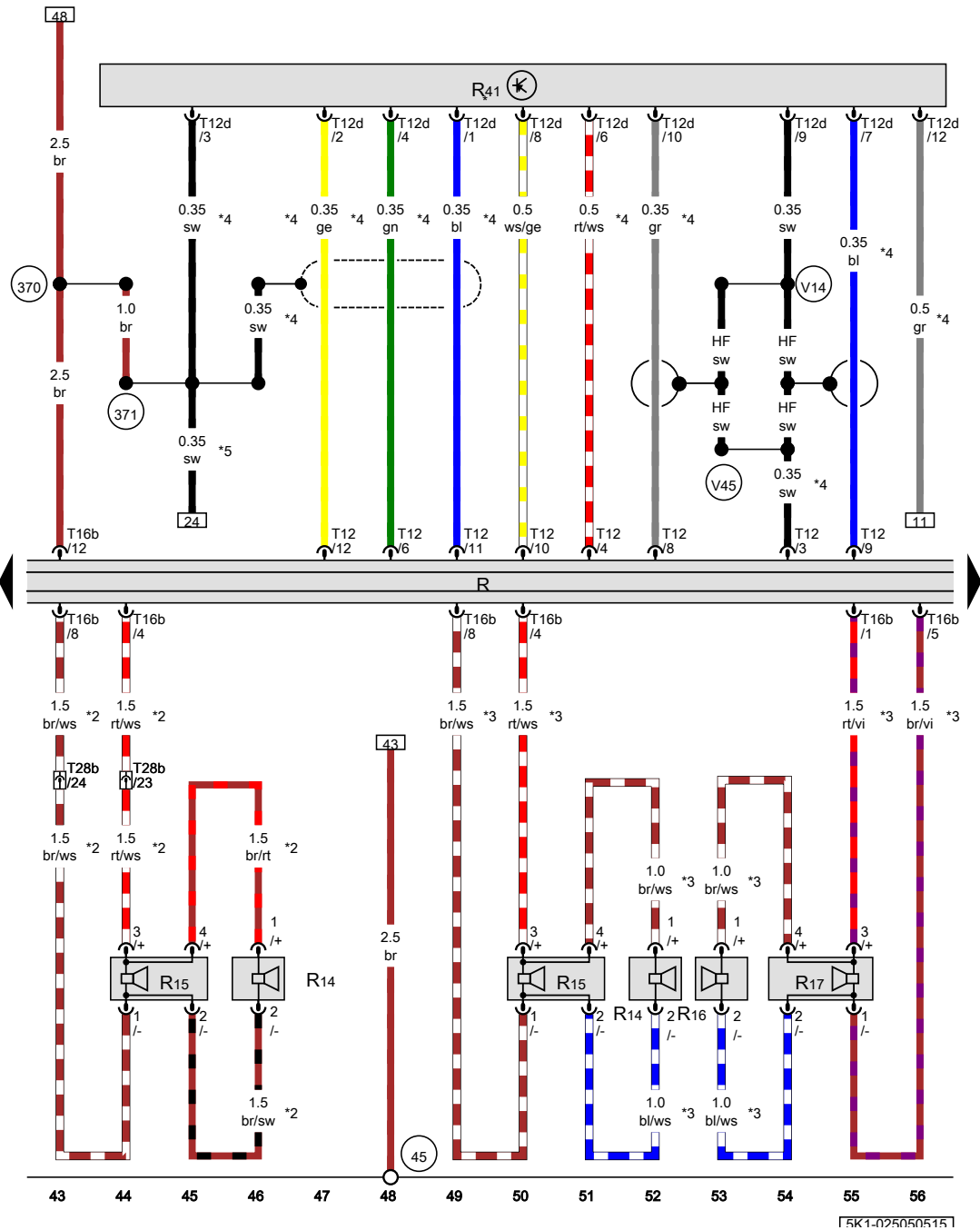
Cell phone operating electronics control module, Radio, Left front treble speaker, Left front bass speaker, Right front treble speaker, Right front bass speaker

- J412 Cell phone operating electronics control module
- J533 Data bus on board diagnostic interface
- R Radio
- R20 Left front treble speaker
- R21 Left front bass speaker
- R22 Right front treble speaker
- R23 Right front bass speaker
- T1e Single connector, behind the right C-pillar trim panel
- T1f Single connector, behind the right C-pillar trim panel
- T1w Single connector, behind the right C-pillar trim panel
- T12g 12-pin connector
- T16b 16-pin connector
- T20 20-pin connector
- T28 28-pin connector, on the left A-pillar
- T28a 28-pin connector, on the right A-pillar
- T54 54-pin connector
- A178 Infotainment CAN bus high connection (in instrument panel wiring harness)
- A179 Infotainment CAN bus low connection (in instrument panel wiring harness)
- A225 Infotainment CAN bus high connection 2 (in instrument panel wiring harness)
- A226 Infotainment CAN bus low connection 2 (in instrument panel wiring harness)
- \* Not included in the preparation
- \*2 Only for vehicles with with a cell phone/telephone prep
- \*3 Only for vehicles with a digital radio

- ws = white
- sw = black
- ro = red
- rt = red
- br = brown
- gn = green
- bl = blue
- gr = grey
- li = lilac
- vi = lilac
- ge = yellow
- or = orange
- rs = pink

15K1-0250405151





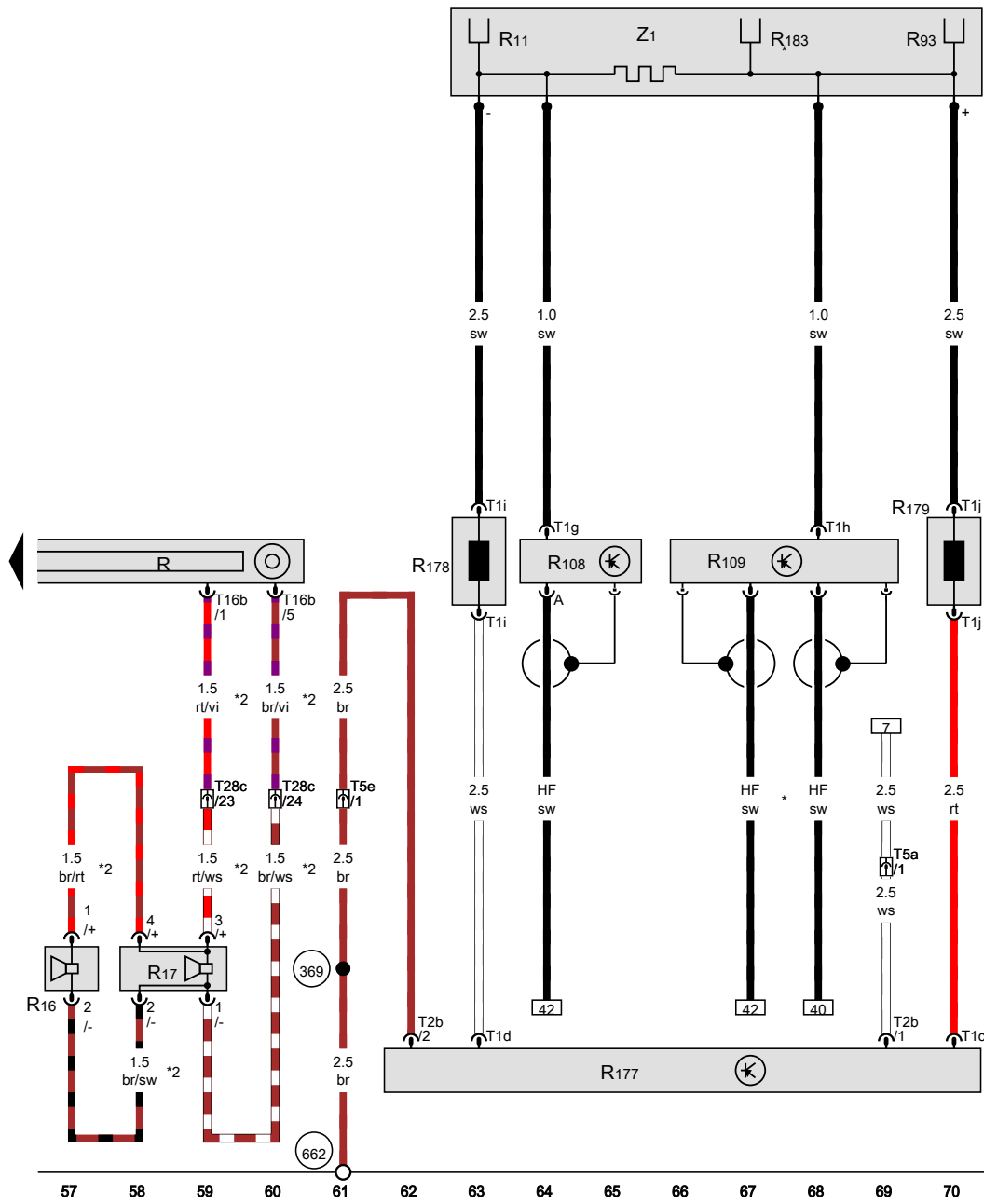
Radio, Left rear treble speaker, Left rear bass speaker, Right rear treble speaker, Right rear bass speaker, CD changer

- R Radio
- R14 Left rear treble speaker
- R15 Left rear bass speaker
- R16 Right rear treble speaker
- R17 Right rear bass speaker
- R41 CD changer
- T12 12-pin connector
- T12d 12-pin connector
- T16b 16-pin connector
- T28b 28-pin connector, on the left B-pillar
- 45 Ground connection behind instrument panel, center
- 370 Ground connection 5 (in main wiring harness)
- 371 Ground connection 6 (in main wiring harness)
- V14 Shielding connection (in CD changer wiring harness)
- V45 Shielding connection 2 (in CD changer wiring harness)
- \* Not included in the preparation
- \*2 Only for vehicles with 4 doors
- \*3 Only for vehicles with 2-door equipment
- \*4 Only for vehicles with CD changer/CD changer prep
- \*5 Only for vehicles with CD changer and external audio source connection

- ws = white
- sw = black
- ro = red
- rt = red
- br = brown
- gn = green
- bl = blue
- gr = grey
- li = lilac
- vi = lilac
- ge = yellow
- or = orange
- rs = pink

15K1-025050515

Radio, Left antenna module, Right antenna module, AM frequency filter, FM frequency filter in negative wire, FM frequency filter in positive wire, Rear window defogger



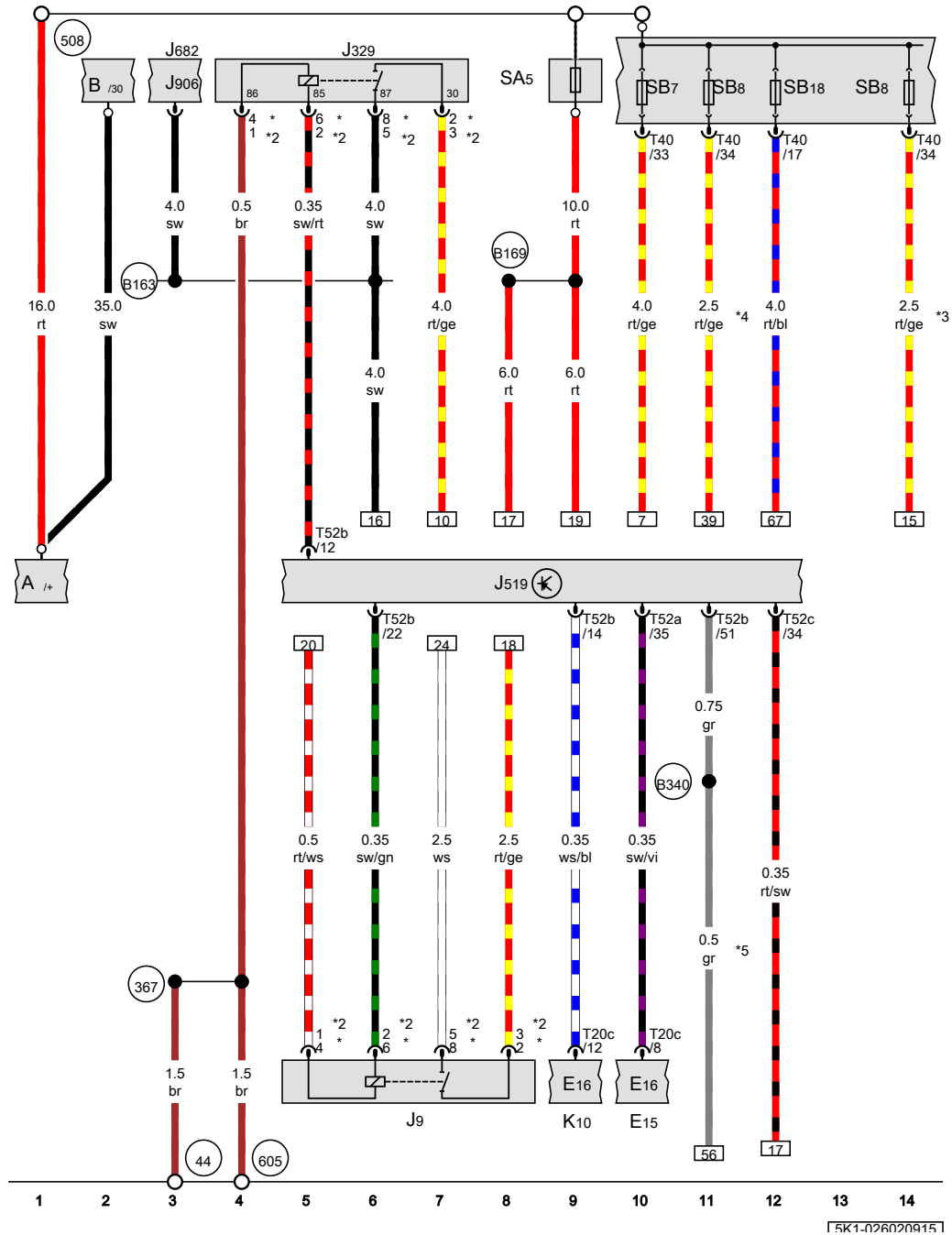
- R Radio
  - R11 Antenna
  - R16 Right rear treble speaker
  - R17 Right rear bass speaker
  - R93 Radio antenna 2
  - R108 Left antenna module
  - R109 Right antenna module
  - R177 AM frequency filter, in the rear lid
  - R178 FM frequency filter in negative wire
  - R179 FM frequency filter in positive wire
  - R183 Digital radio antenna
  - T1c Single connector
  - T1d Single connector
  - T1g Single connector
  - T1h Single connector
  - T1i Single connector
  - T1j Single connector
  - T2b Double connector
  - T5a 5-pin connector, in the left rear side panel, black
  - T5e 5-pin connector, in the left rear side panel, pink
  - T16b 16-pin connector
  - T28c 28-pin connector, on the right B-pillar
  - Z1 Rear window defogger
- 369 Ground connection 4 (in main wiring harness)  
662 Ground connection in left rear side panel  
 \* Only for vehicles with a digital radio  
 \*2 Only for vehicles with 4 doors

- ws = white
- sw = black
- ro = red
- rt = red
- br = brown
- gn = green
- bl = blue
- gr = grey
- li = lilac
- vi = lilac
- ge = yellow
- or = orange
- rs = pink

15K1-0250605151

**Radio system with digital sound package , (9VE)**

from July 2008



Rear window defogger relay, Terminal 15 power supply relay

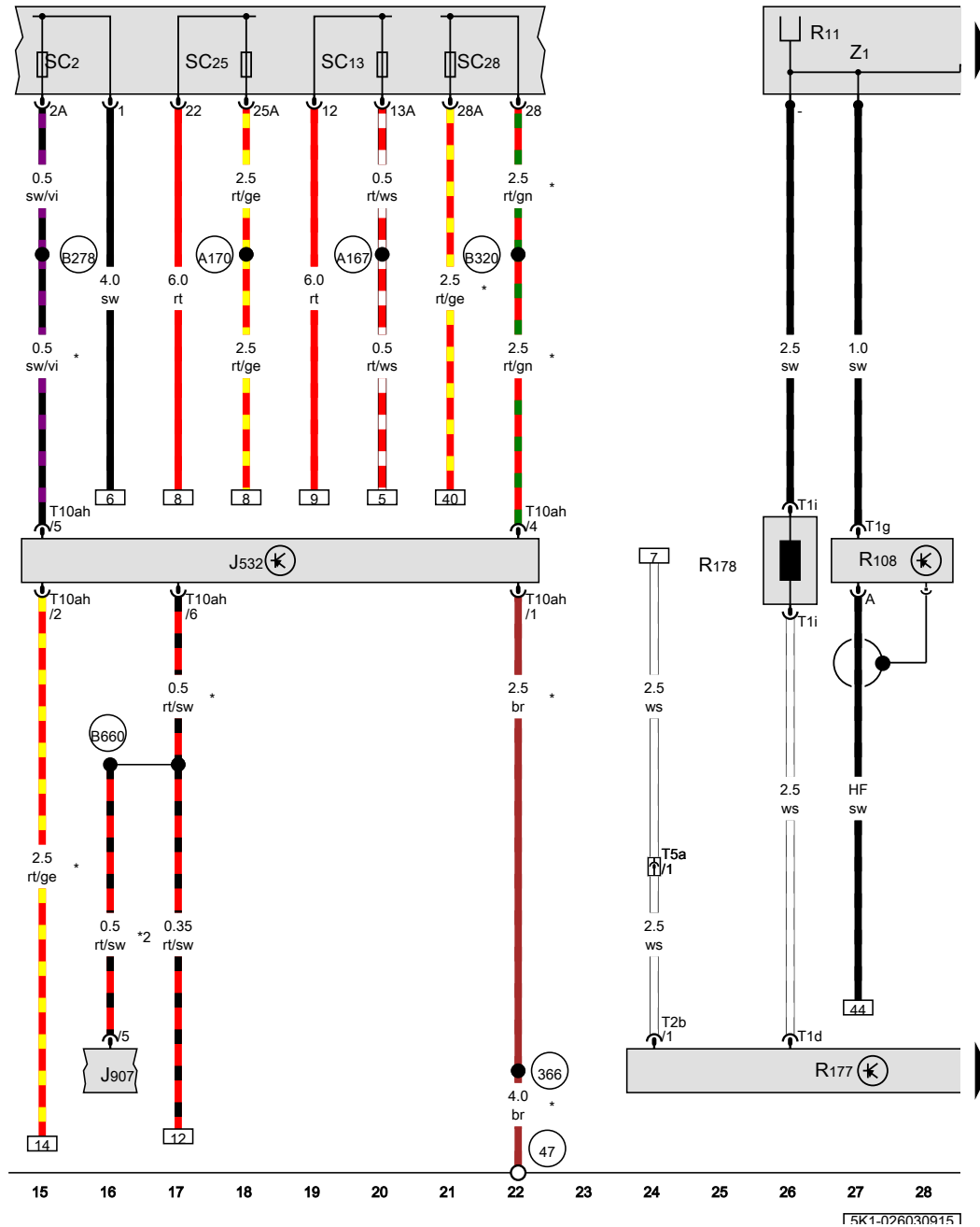
- A Battery
- B Starter
- E15 Rear window defogger switch
- E16 Heater/heat output switch
- J9 Rear window defogger relay
- J329 Terminal 15 power supply relay
- J519 Vehicle electrical control module system
- J682 Terminal 50 power supply relay
- J906 Starter relay 1
- K10 Rear window defogger indicator lamp
- SA5 Fuse 5 (on fuse panel A)
- SB7 Fuse 7 (on fuse panel B)
- SB8 Fuse 8 (on fuse panel B)
- SB18 Fuse 18 (on fuse panel B)
- T20c 20-pin connector
- T40 40-pin connector
- T52a 52-pin connector
- T52b 52-pin connector
- T52c 52-pin connector

- 44 Ground connection on A-pillar, lower left
- 367 Ground connection 2 (in main wiring harness)
- 508 Terminal 30 threaded connection (on E-box)
- 605 Ground connection on upper steering column
- B163 Positive connection 1 (15) (in interior wiring harness)
- B169 Positive connection 1 (30) (in interior wiring harness)
- B340 Connection 58d (in main wiring harness) 1

- ws = white
- sw = black
- ro = red
- rt = red
- br = brown
- gn = green
- bl = blue
- gr = grey
- li = lilac
- vi = lilac
- ge = yellow
- or = orange
- rs = pink

- \* Through October 2009
- \*2 from November 2009
- \*3 Only for vehicles with Start/Stop system
- \*4 Only for vehicles without Start/Stop system
- \*5 Only for vehicles with CD changer/CD changer prep

15K1-0760209151



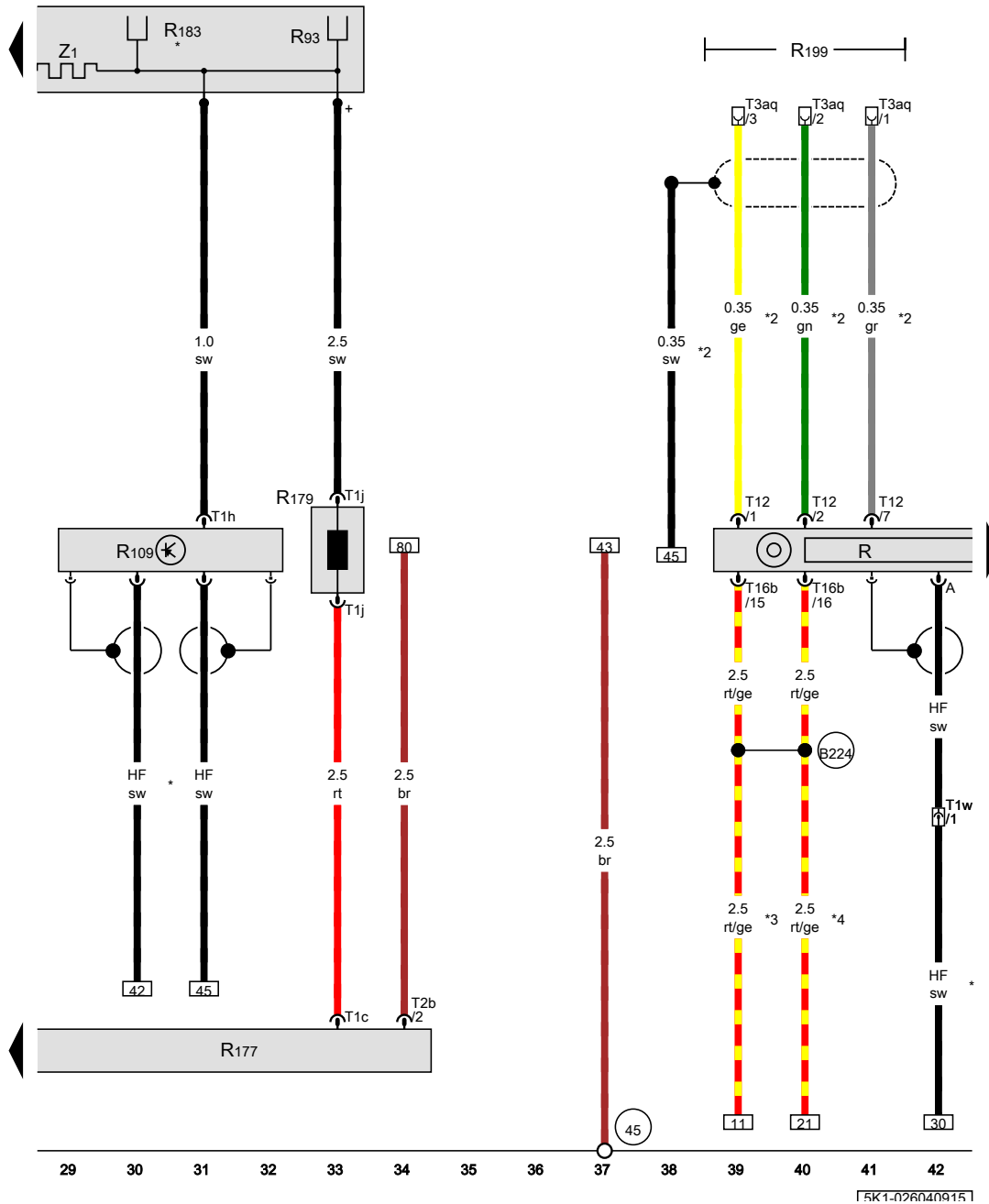
Voltage stabilizer, Antenna, Left antenna module, AM frequency filter, FM frequency filter in negative wire, Rear window defogger

- J532 Voltage stabilizer
- J907 Starter relay 2
- R11 Antenna
- R108 Left antenna module
- R177 AM frequency filter
- R178 FM frequency filter in negative wire
- SC2 Fuse 2 (on fuse panel C)
- SC13 Fuse 13 (on fuse panel C)
- SC25 Fuse 25 (on fuse panel C)
- SC28 Fuse 28 (on fuse panel C)
- T1d 1-pin connector
- T1g 1-pin connector
- T1i 1-pin connector
- T2b 2-pin connector
- T5a 5-pin connector, in the left rear side panel, black
- T10ah 10-pin connector
- Z1 Rear window defogger

- (47) Ground connection in right front footwell
- (366) Ground connection 1 (in main wiring harness)
- (A167) Positive connection 3 (30a) (in instrument panel wiring harness)
- (A170) Connection 58R (in instrument panel wiring harness) 2
- (B278) Positive connection 2 (15a) (in main wiring harness)
- (B320) Positive connection 6 (30a) (in main wiring harness)
- (B660) Diagnostic terminal 50 connection (in main wiring harness)

\* Only for vehicles with Start/Stop system  
 \*2 Only for vehicles with CD changer/CD changer prep

- ws = white
- sw = black
- ro = red
- rt = red
- br = brown
- gn = green
- bl = blue
- gr = grey
- li = lilac
- vi = lilac
- ge = yellow
- or = orange
- rs = pink

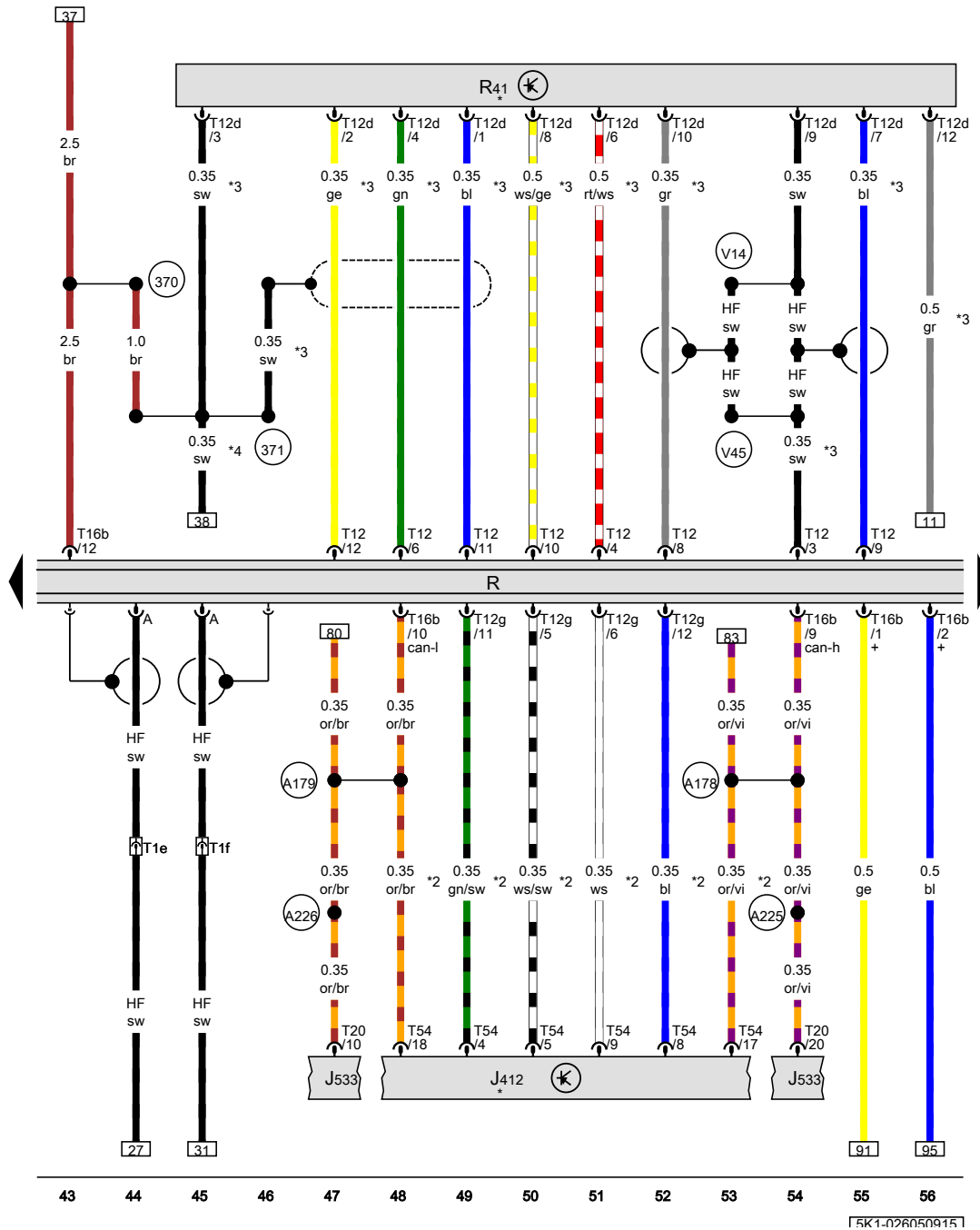


Radio, Radio antenna 2, Right antenna module, AM frequency filter, FM frequency filter in positive wire, Digital radio antenna, External audio source connection, Rear window defogger

- R Radio
  - R93 Radio antenna 2
  - R109 Right antenna module
  - R177 AM frequency filter
  - R179 FM frequency filter in positive wire
  - R183 Digital radio antenna
  - R199 External audio source connection
  - T1c 1-pin connector
  - T1h 1-pin connector
  - T1j 1-pin connector
  - T1w 1-pin connector
  - T2b 2-pin connector
  - T3aq 3-pin connector, in the glove compartment
  - T12 12-pin connector
  - T16b 16-pin connector
  - Z1 Rear window defogger
- (45) Ground connection behind instrument panel, center
- (B224) Radio connection 1 (in interior wiring harness)
- \* Only for vehicles with a digital radio
  - \*2 Only for vehicles with CD changer and external audio source connection
  - \*3 Only for vehicles without Start/Stop system
  - \*4 Only for vehicles with Start/Stop system

- ws = white
- sw = black
- ro = red
- rt = red
- br = brown
- gn = green
- bl = blue
- gr = grey
- li = lilac
- vi = lilac
- ge = yellow
- or = orange
- rs = pink

15K1-0260409151



Cell phone operating electronics control module, Radio, CD changer

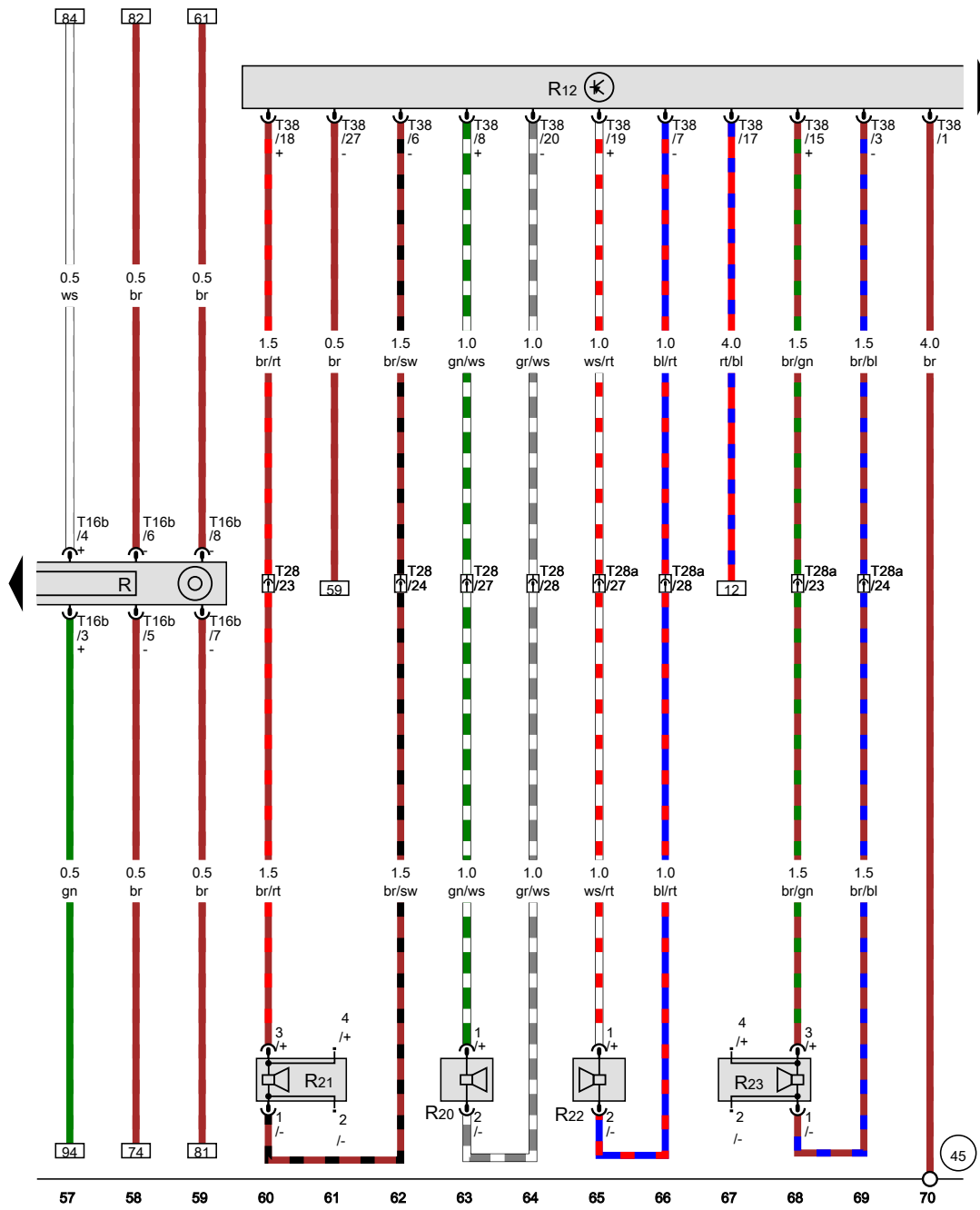
- J412 Cell phone operating electronics control module
- J533 Data bus on board diagnostic interface
- R Radio
- R41 CD changer
- T1e 1-pin connector, behind the right C-pillar trim panel
- T1f 1-pin connector, behind the right C-pillar trim panel
- T12 12-pin connector
- T12d 12-pin connector
- T12g 12-pin connector
- T16b 16-pin connector
- T20 20-pin connector
- T54 54-pin connector

- 370 Ground connection 5 (in main wiring harness)
- 371 Ground connection 6 (in main wiring harness)
- A178 Infotainment CAN bus high connection (in instrument panel wiring harness)
- A179 Infotainment CAN bus low connection (in instrument panel wiring harness)
- A225 Infotainment CAN bus high connection 2 (in instrument panel wiring harness)
- A226 Infotainment CAN bus low connection 2 (in instrument panel wiring harness)
- V14 Shielding connection (in CD changer wiring harness)
- V45 Shielding connection 2 (in CD changer wiring harness)

- \* Not included in the preparation
- \*2 Only for vehicles with with a cell phone/telephone prep
- \*3 Only for vehicles with CD changer/CD changer prep
- \*4 Only for vehicles with CD changer and external audio source connection

- ws = white
- sw = black
- ro = red
- rt = red
- br = brown
- gn = green
- bl = blue
- gr = grey
- li = lilac
- vi = lilac
- ge = yellow
- or = orange
- rs = pink

15K1-0260509151



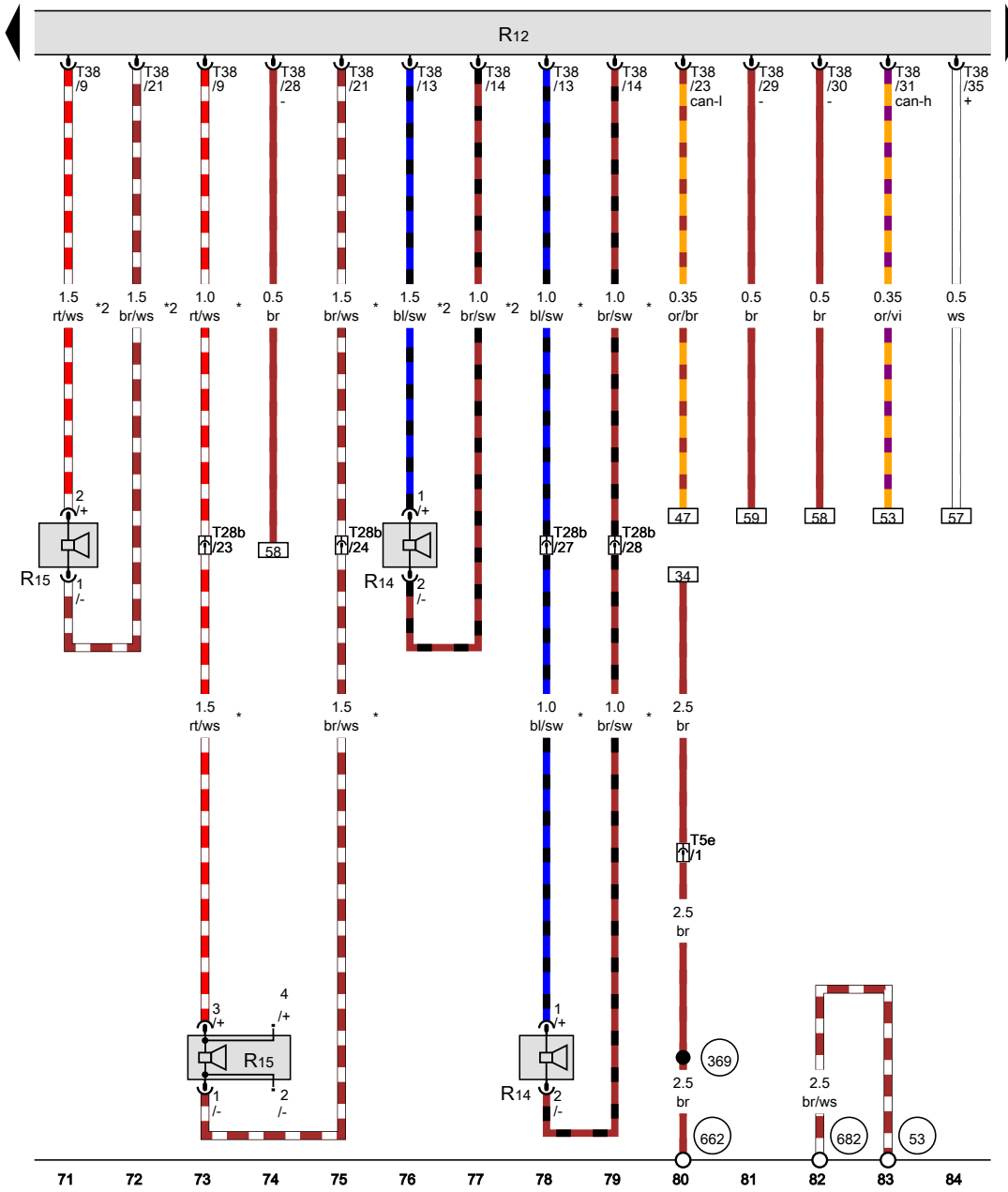
Radio, Amplifier, Left front treble speaker, Left front bass speaker, Right front treble speaker, Right front bass speaker

- R Radio
- R12 Amplifier, under the driver seat
- R20 Left front treble speaker
- R21 Left front bass speaker
- R22 Right front treble speaker
- R23 Right front bass speaker
- T16b 16-pin connector
- T28 28-pin connector, on the left A-pillar
- T28a 28-pin connector, on the right A-pillar
- T38 38-pin connector
- 45 Ground connection behind instrument panel, center

- ws = white
- sw = black
- ro = red
- rt = red
- br = brown
- gn = green
- bl = blue
- gr = grey
- li = lilac
- vi = lilac
- ge = yellow
- or = orange
- rs = pink

15K1-0260609151





**Amplifier, Left rear treble speaker, Left rear bass speaker**

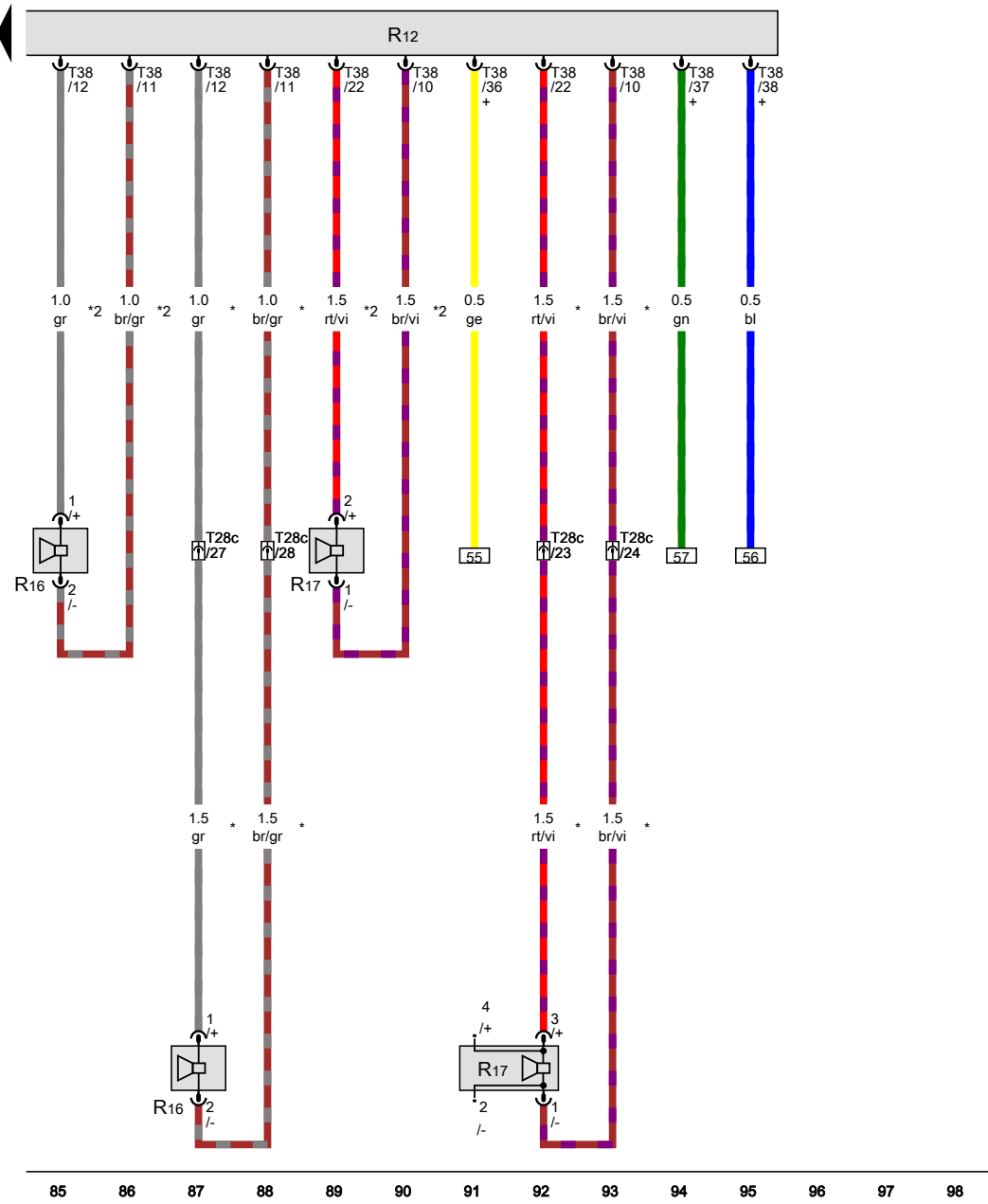
- R12 Amplifier, under the driver seat
- R14 Left rear treble speaker
- R15 Left rear bass speaker
- T5e 5-pin connector, in the left rear side panel, pink
- T28b 28-pin connector, on the left B-pillar
- T38 38-pin connector

- 53 Ground connection in rear lid, right
- 369 Ground connection 4 (in main wiring harness)
- 662 Ground connection in left rear side panel
- 682 Ground connection 2 in right rear side panel
- \* Only for vehicles with 4 doors
- \*2 Only for vehicles with 2-door equipment

- ws = white
- sw = black
- ro = red
- rt = red
- br = brown
- gn = green
- bl = blue
- gr = grey
- li = lilac
- vi = lilac
- ge = yellow
- or = orange
- rs = pink

15K1-026070915

Amplifier, Right rear treble speaker, Right rear bass speaker



- R12 Amplifier, under the driver seat
- R16 Right rear treble speaker
- R17 Right rear bass speaker
- T28c 28-pin connector, on the right B-pillar
- T38 38-pin connector
- \* Only for vehicles with 4 doors
- \*2 Only for vehicles with 2-door equipment

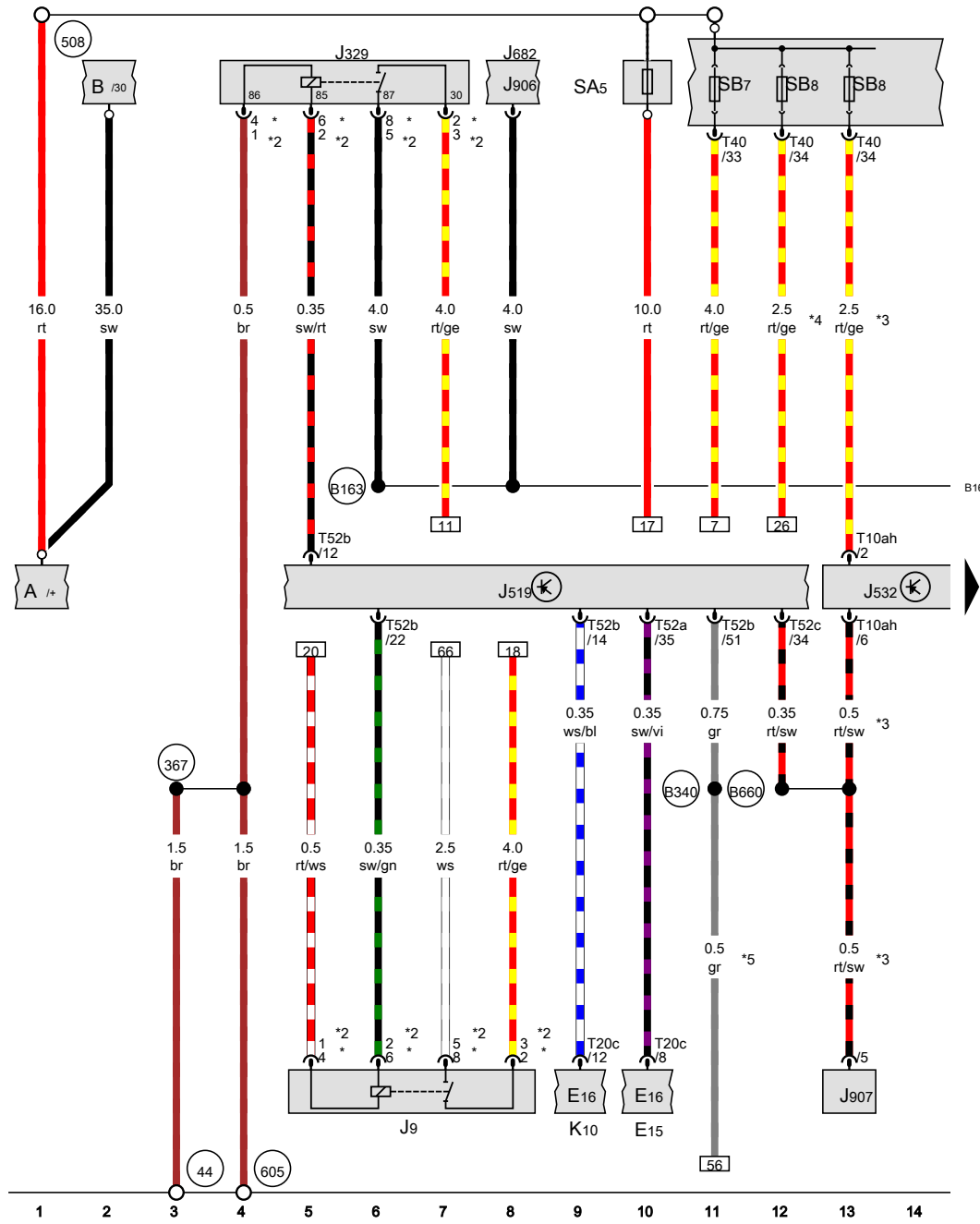
- ws = white
- sw = black
- ro = red
- rt = red
- br = brown
- gn = green
- bl = blue
- gr = grey
- li = lilac
- vi = lilac
- ge = yellow
- or = orange
- rs = pink

85 86 87 88 89 90 91 92 93 94 95 96 97 98

[5K1-026080915]

## Radio navigation system RNS 310

from July 2008



Rear window defogger relay, Terminal 15 power supply relay, Voltage stabilizer

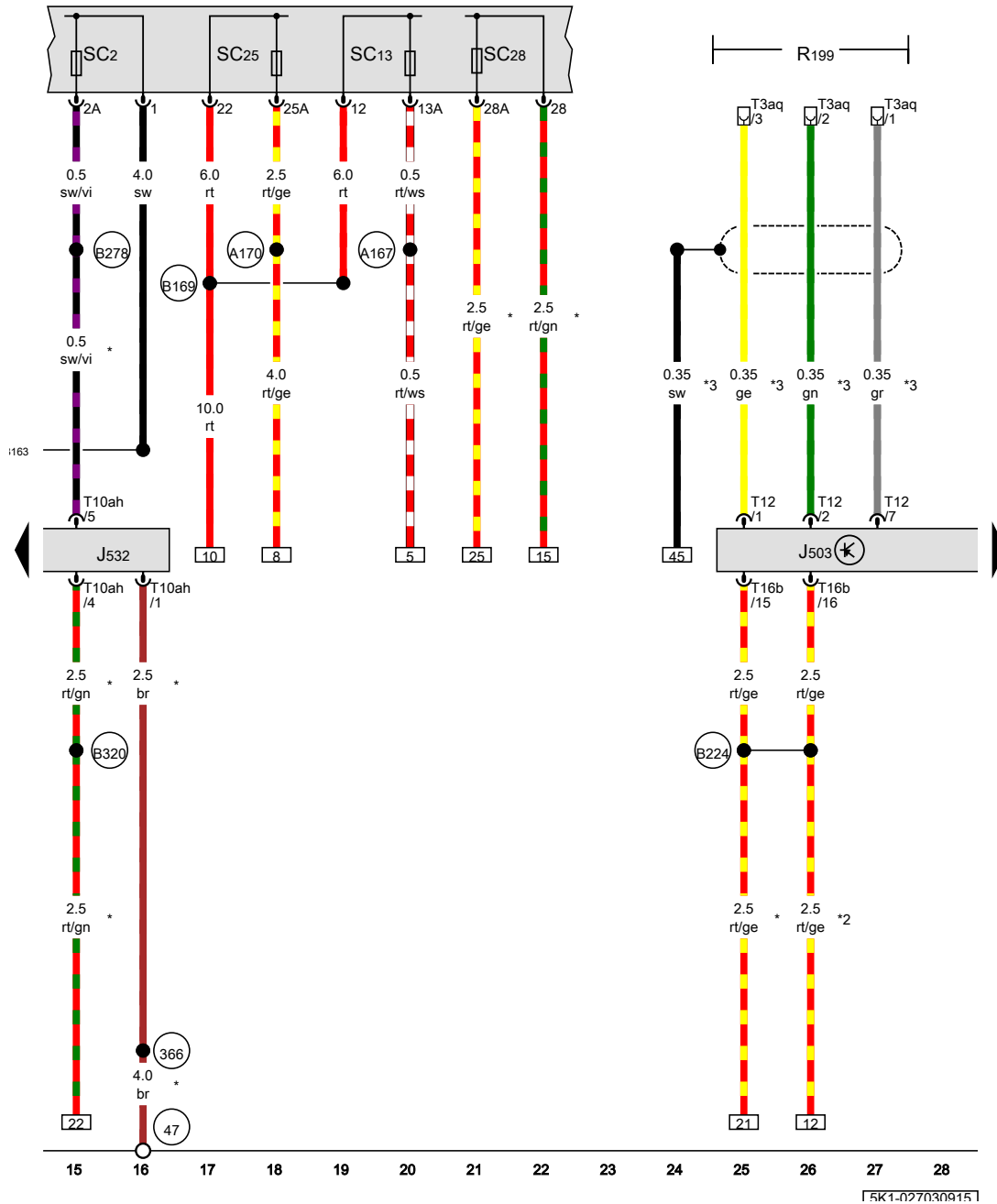
- A Battery
- B Starter
- E15 Rear window defogger switch
- E16 Heater/heat output switch
- J9 Rear window defogger relay
- J329 Terminal 15 power supply relay
- J519 Vehicle electrical control module system
- J532 Voltage stabilizer
- J682 Terminal 50 power supply relay
- J906 Starter relay 1
- J907 Starter relay 2
- K10 Rear window defogger indicator lamp
- SA5 Fuse 5 (on fuse panel A)
- SB7 Fuse 7 (on fuse panel B)
- SB8 Fuse 8 (on fuse panel B)
- T10ah 10-pin connector
- T20c 20-pin connector
- T40 40-pin connector
- T52a 52-pin connector
- T52b 52-pin connector
- T52c 52-pin connector

- 44 Ground connection on A-pillar, lower left
- 367 Ground connection 2 (in main wiring harness)
- 508 Terminal 30 threaded connection (on E-box)
- 605 Ground connection on upper steering column
- B163 Positive connection 1 (15) (in interior wiring harness)
- B340 Connection 58d (in main wiring harness) 1
- B660 Diagnostic terminal 50 connection (in main wiring harness)

- ws = white
- sw = black
- ro = red
- rt = red
- br = brown
- gn = green
- bl = blue
- gr = grey
- li = lilac
- vi = lilac
- ge = yellow
- or = orange
- rs = pink

- \* Through October 2009
- \*2 from November 2009
- \*3 Only for vehicles with Start/Stop system
- \*4 Only for vehicles without Start/Stop system
- \*5 Only for vehicles with CD changer/CD changer prep

15K1-0270209151



Radio/navigation display unit control module, Voltage stabilizer, External audio source connection

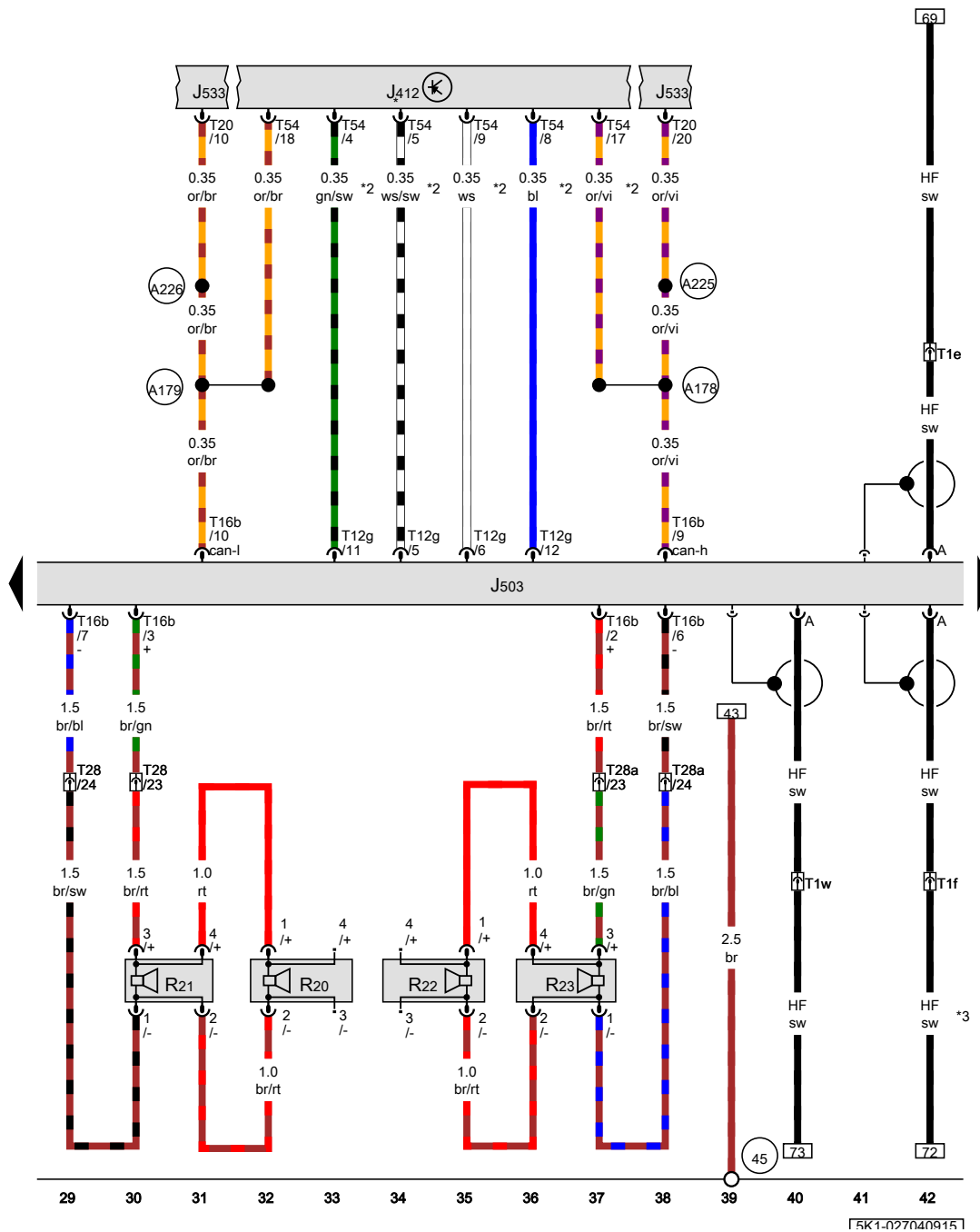
- J503 Radio/navigation display unit control module
- J532 Voltage stabilizer
- R199 External audio source connection
- SC2 Fuse 2 (on fuse panel C)
- SC13 Fuse 13 (on fuse panel C)
- SC25 Fuse 25 (on fuse panel C)
- SC28 Fuse 28 (on fuse panel C)
- T3aq 3-pin connector, in the glove compartment
- T10ah 10-pin connector
- T12 12-pin connector
- T16b 16-pin connector

- 47 Ground connection in right front footwell
- 366 Ground connection 1 (in main wiring harness)
- A167 Positive connection 3 (30a) (in instrument panel wiring harness)
- A170 Connection 58R (in instrument panel wiring harness) 2
- B163 Positive connection 1 (15) (in interior wiring harness)
- B169 Positive connection 1 (30) (in interior wiring harness)
- B224 Radio connection 1 (in interior wiring harness)
- B278 Positive connection 2 (15a) (in main wiring harness)
- B320 Positive connection 6 (30a) (in main wiring harness)

- \* Only for vehicles with Start/Stop system
- \*2 Only for vehicles without Start/Stop system
- \*3 Only for vehicles with CD changer and external audio source connection

- ws = white
- sw = black
- ro = red
- rt = red
- br = brown
- gn = green
- bl = blue
- gr = grey
- li = lilac
- vi = lilac
- ge = yellow
- or = orange
- rs = pink

15K1-027030915



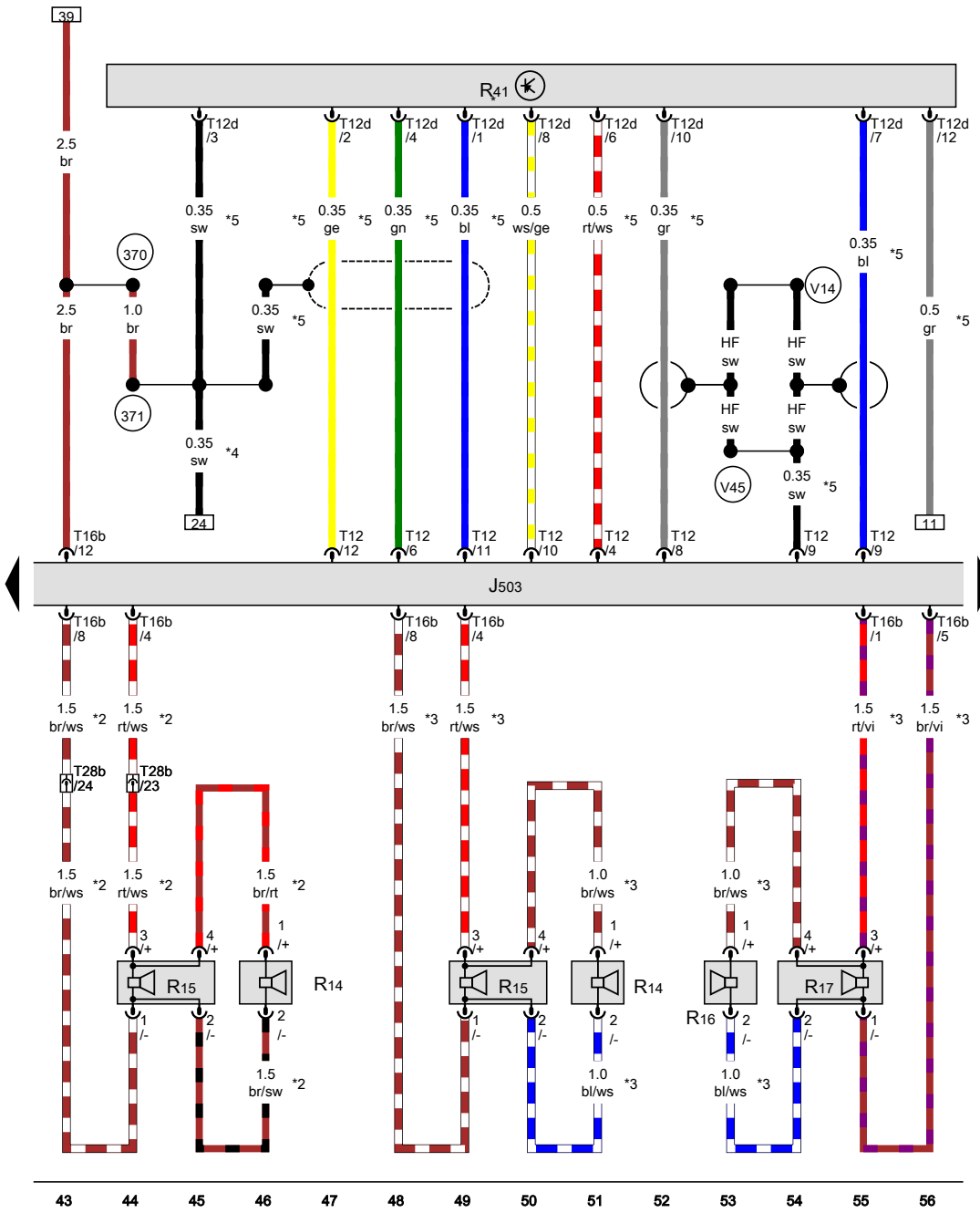
Cell phone operating electronics control module, Radio/navigation display unit control module, Left front treble speaker, Left front bass speaker, Right front treble speaker, Right front bass speaker

- J412 Cell phone operating electronics control module
- J503 Radio/navigation display unit control module
- J533 Data bus on board diagnostic interface
- R20 Left front treble speaker
- R21 Left front bass speaker
- R22 Right front treble speaker
- R23 Right front bass speaker
- T1e 1-pin connector, behind the right C-pillar trim panel
- T1f 1-pin connector, behind the right C-pillar trim panel
- T1w 1-pin connector, behind the right C-pillar trim panel
- T12g 12-pin connector
- T16b 16-pin connector
- T20 20-pin connector
- T28 28-pin connector, on the left A-pillar
- T28a 28-pin connector, on the right A-pillar
- T54 54-pin connector

- 45 Ground connection behind instrument panel, center
- A178 Infotainment CAN bus high connection (in instrument panel wiring harness)
- A179 Infotainment CAN bus low connection (in instrument panel wiring harness)
- A225 Infotainment CAN bus high connection 2 (in instrument panel wiring harness)
- A226 Infotainment CAN bus low connection 2 (in instrument panel wiring harness)
- \* Not included in the preparation
- \*2 Only for vehicles with with a cell phone/telephone prep
- \*3 Only for vehicles with a digital radio

- ws = white
- sw = black
- ro = red
- rt = red
- br = brown
- gn = green
- bl = blue
- gr = grey
- li = lilac
- vi = lilac
- ge = yellow
- or = orange
- rs = pink

15K1-0270409151



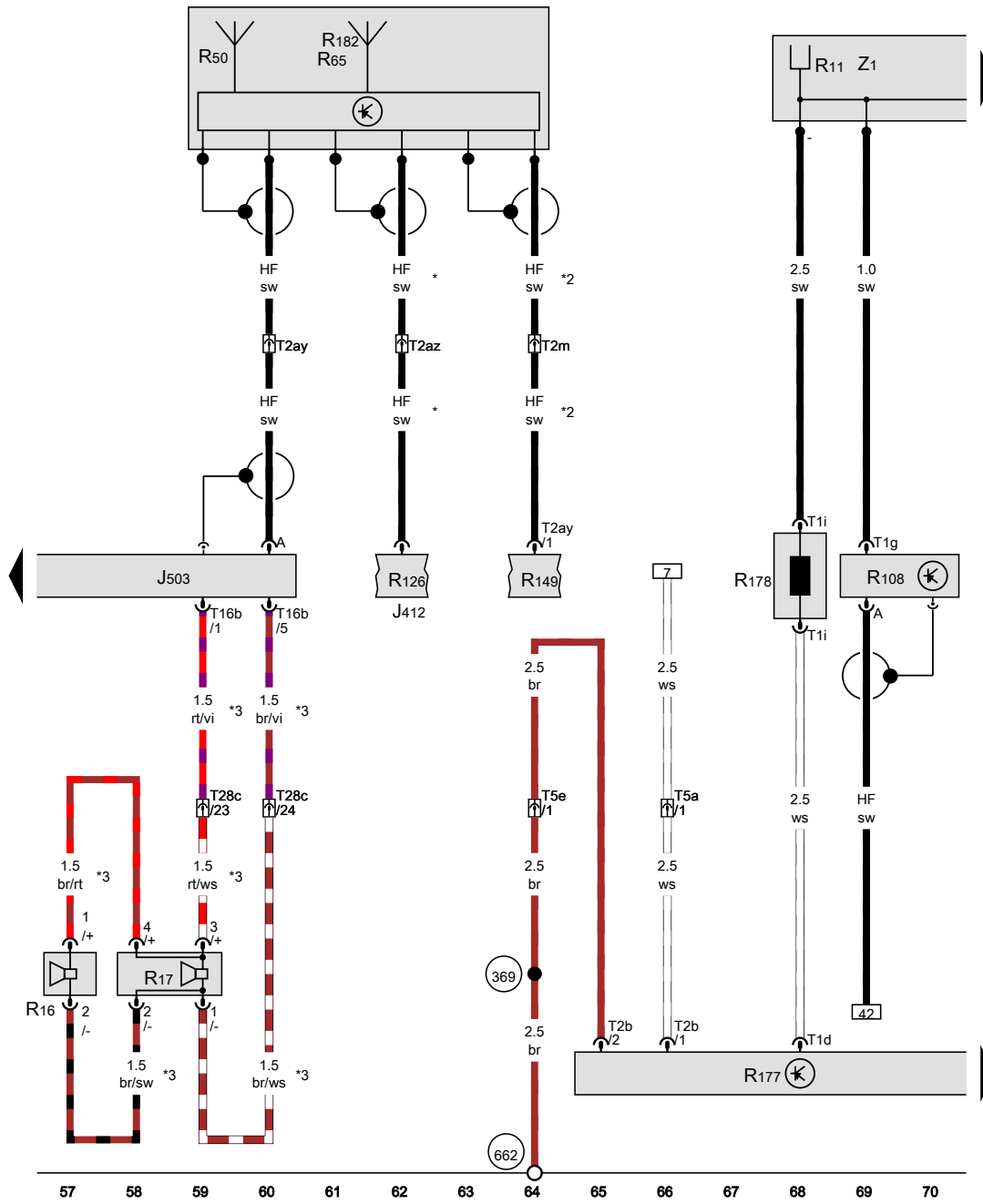
Radio/navigation display unit control module, Left rear treble speaker, Left rear bass speaker, Right rear treble speaker, Right rear bass speaker, CD changer

- J503 Radio/navigation display unit control module
- R14 Left rear treble speaker
- R15 Left rear bass speaker
- R16 Right rear treble speaker
- R17 Right rear bass speaker
- R41 CD changer
- T12 12-pin connector
- T12d 12-pin connector
- T16b 16-pin connector
- T28b 28-pin connector, on the left B-pillar
- 370 Ground connection 5 (in main wiring harness)
- 371 Ground connection 6 (in main wiring harness)
- V14 Shielding connection (in CD changer wiring harness)
- V45 Shielding connection 2 (in CD changer wiring harness)

- \* Not included in the preparation
- \*2 Only for vehicles with 4 doors
- \*3 Only for vehicles with 2-door equipment
- \*4 Only for vehicles with CD changer and external audio source connection
- \*5 Only for vehicles with CD changer/CD changer prep

- ws = white
- sw = black
- ro = red
- rt = red
- br = brown
- gn = green
- bl = blue
- gr = grey
- li = lilac
- vi = lilac
- ge = yellow
- or = orange
- rs = pink

15K1-027050915



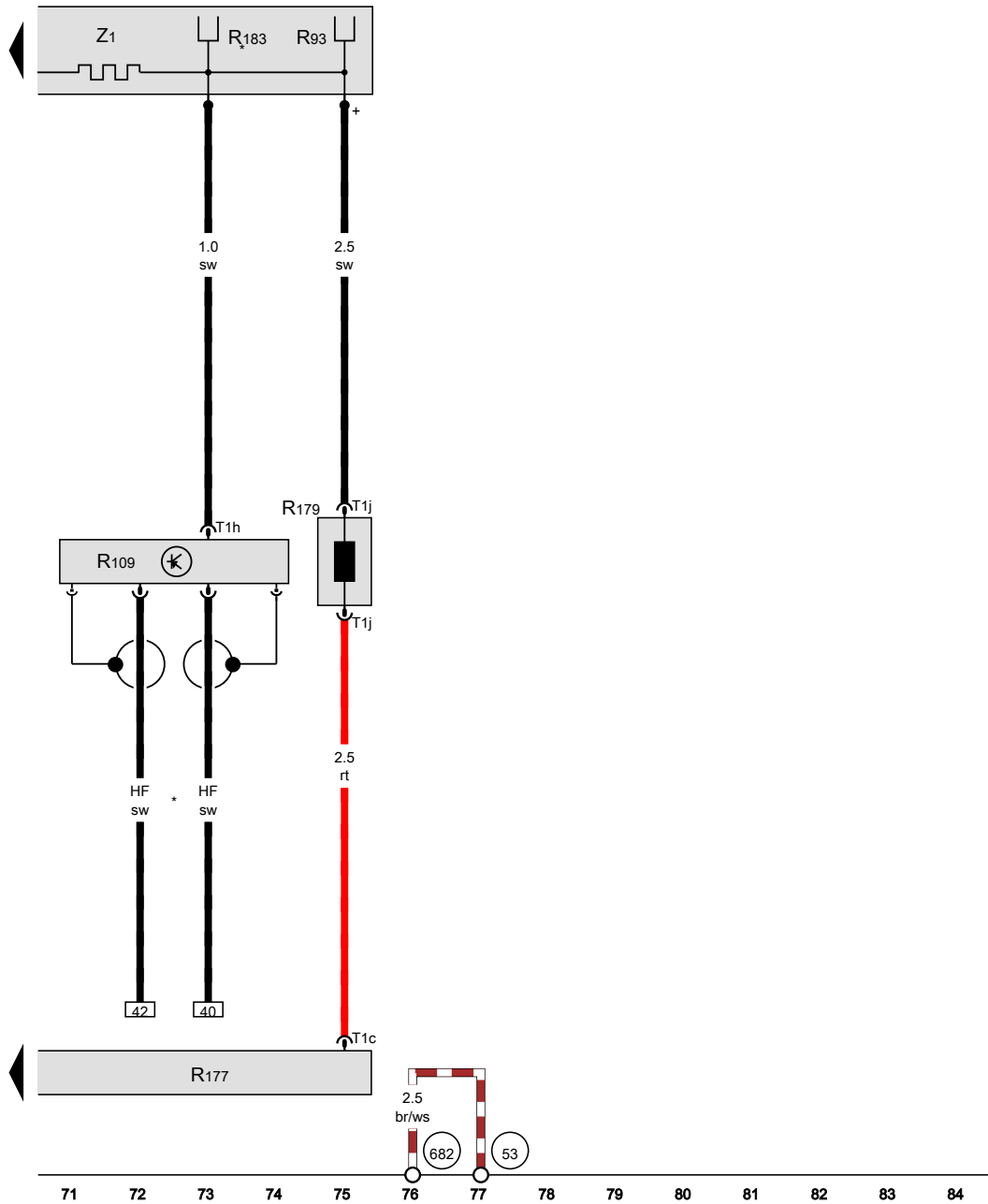
Radio/navigation display unit control module, GPS antenna, Telephone antenna, Left antenna module, AM frequency filter, FM frequency filter in negative wire, Auxiliary heater antenna, Rear window defogger

- J412 Cell phone operating electronics control module
  - J503 Radio/navigation display unit control module
  - R11 Antenna
  - R16 Right rear treble speaker
  - R17 Right rear bass speaker
  - R50 GPS antenna
  - R65 Telephone antenna
  - R108 Left antenna module
  - R126 Telephone baseplate
  - R149 Auxiliary coolant heater radio frequency receiver
  - R177 AM frequency filter, in the rear lid
  - R178 FM frequency filter in negative wire
  - R182 Auxiliary heater antenna
  - T1d 1-pin connector
  - T1g 1-pin connector
  - T1i 1-pin connector
  - T2ay 2-pin connector, near the roof antenna
  - T2az 2-pin connector, near the roof antenna
  - T2b 2-pin connector
  - T2m 2-pin connector, near the roof antenna
  - T5a 5-pin connector, in the left rear side panel, black
  - T5e 5-pin connector, in the left rear side panel, pink
  - T16b 16-pin connector
  - T28c 28-pin connector, on the right B-pillar
  - Z1 Rear window defogger
- 369 Ground connection 4 (in main wiring harness)
- 662 Ground connection in left rear side panel
- \* Only for vehicles with with a cell phone/telephone prep
- \*2 Only for vehicles with auxiliary coolant heater radio receiver
- \*3 Only for vehicles with 4 doors

- ws = white
- sw = black
- ro = red
- rt = red
- br = brown
- gn = green
- bl = blue
- gr = grey
- li = lilac
- vi = lilac
- ge = yellow
- or = orange
- rs = pink

15K1-027060915





Right antenna module, AM frequency filter, FM frequency filter in positive wire, Rear window defogger

- R93 Radio antenna 2
- R109 Right antenna module
- R177 AM frequency filter, in the rear lid
- R179 FM frequency filter in positive wire
- R183 Digital radio antenna
- T1c 1-pin connector
- T1h 1-pin connector
- T1j 1-pin connector
- Z1 Rear window defogger

- 53 Ground connection in rear lid, right
- 682 Ground connection 2 in right rear side panel

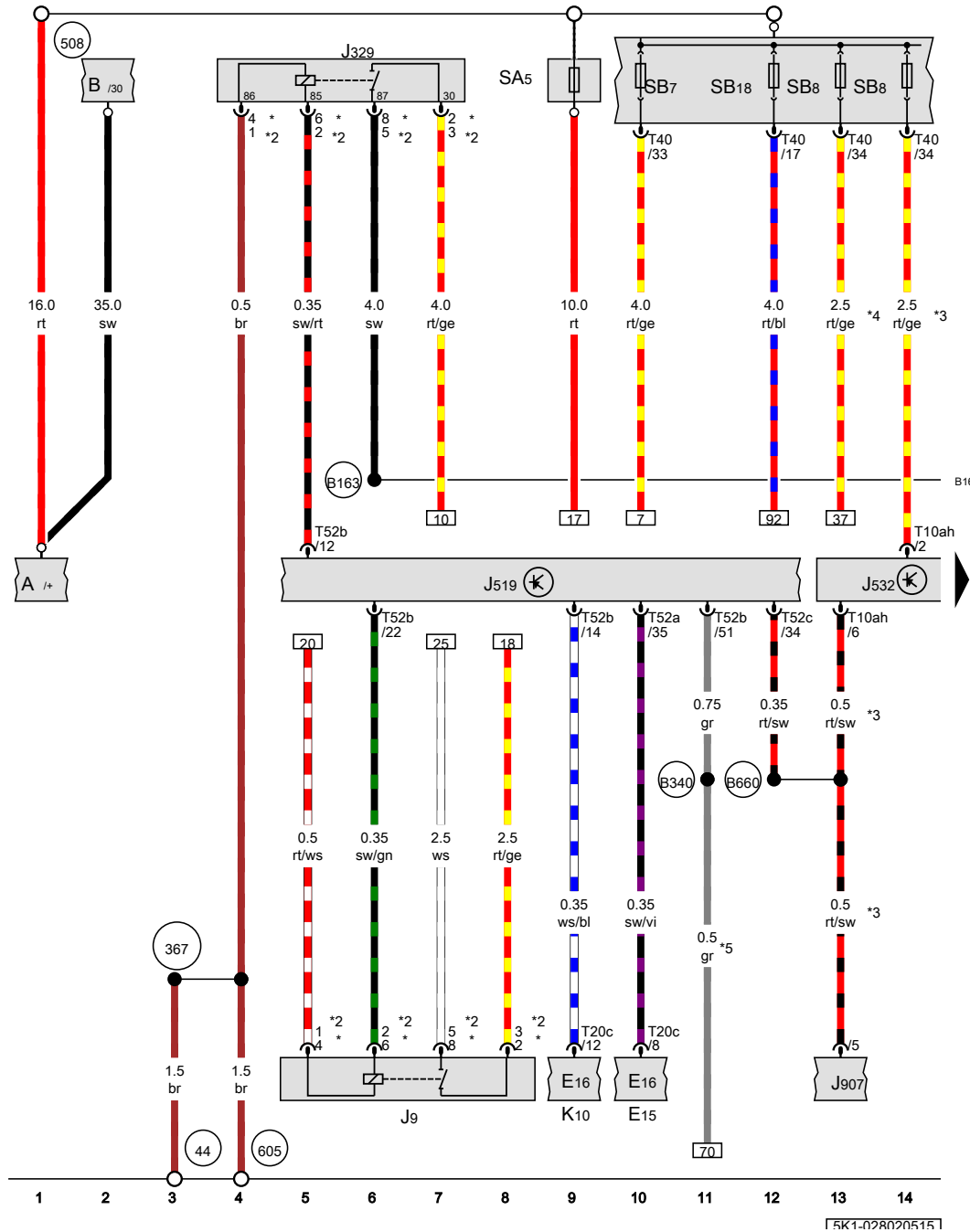
\* Only for vehicles with a digital radio

- ws = white
- sw = black
- ro = red
- rt = red
- br = brown
- gn = green
- bl = blue
- gr = grey
- li = lilac
- vi = lilac
- ge = yellow
- or = orange
- rs = pink

[5K1-027070915]

## Radio navigation system with digital sound package

from July 2008



Rear window defogger relay, Terminal 15 power supply relay, Voltage stabilizer

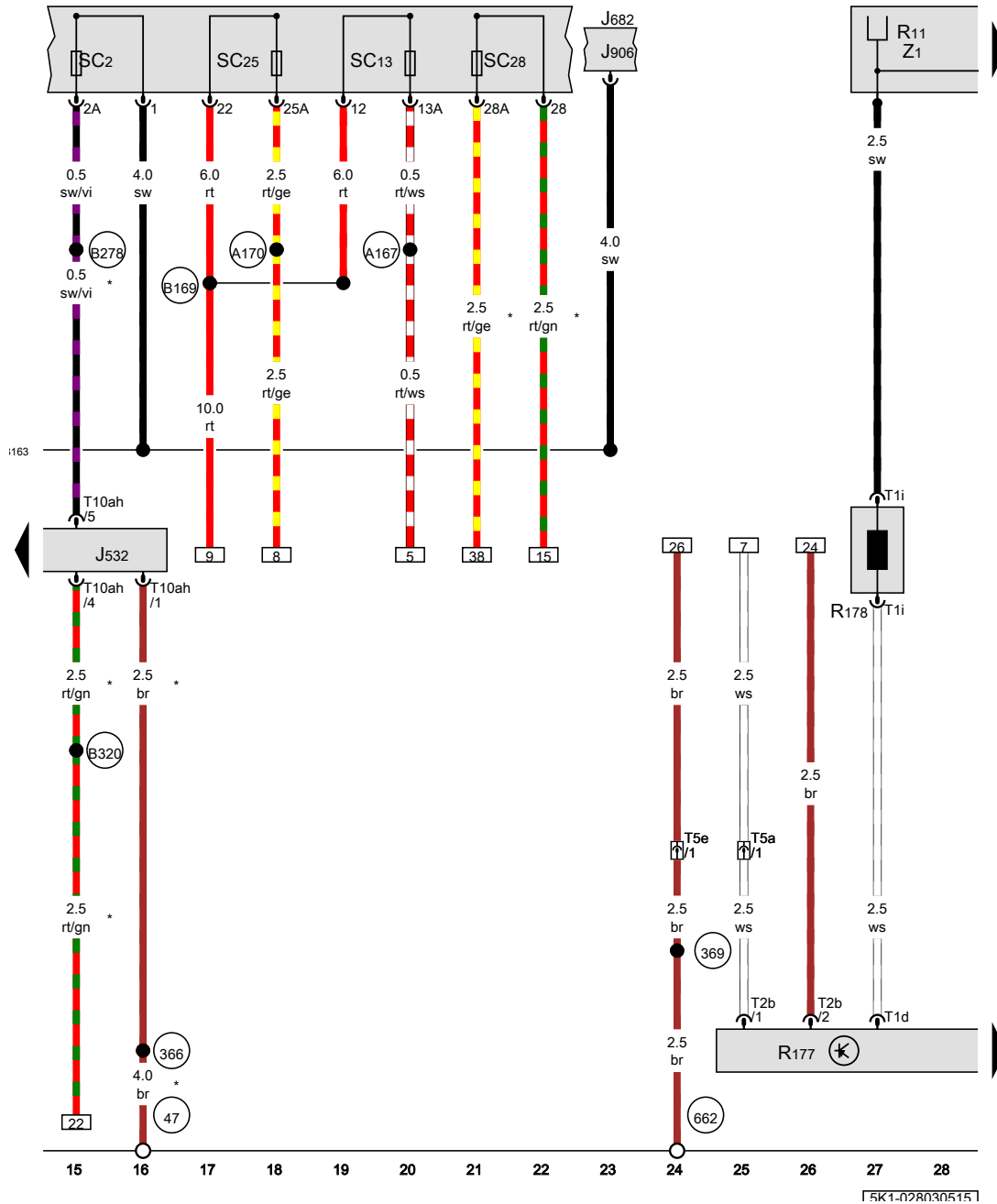
- A Battery
- B Starter
- E15 Rear window defogger switch
- E16 Heater/heat output switch
- J9 Rear window defogger relay
- J329 Terminal 15 power supply relay
- J519 Vehicle electrical control module system
- J532 Voltage stabilizer
- J907 Starter relay 2
- K10 Rear window defogger indicator lamp
- SA5 Fuse 5 (on fuse panel A)
- SB7 Fuse 7 (on fuse panel B)
- SB8 Fuse 8 (on fuse panel B)
- SB18 Fuse 18 (on fuse panel B)
- T10ah 10-pin connector
- T20c 20-pin connector
- T40 40-pin connector
- T52a 52-pin connector
- T52b 52-pin connector
- T52c 52-pin connector

- 44 Ground connection on A-pillar, lower left
- 367 Ground connection 2 (in main wiring harness)
- 508 Terminal 30 threaded connection (on E-box)
- 605 Ground connection on upper steering column
- B163 Positive connection 1 (15) (in interior wiring harness)
- B340 Connection 58d (in main wiring harness) 1
- B660 Diagnostic terminal 50 connection (in main wiring harness)

- ws = white
- sw = black
- ro = red
- rt = red
- br = brown
- gn = green
- bl = blue
- gr = grey
- li = lilac
- vi = lilac
- ge = yellow
- or = orange
- rs = pink

- \* Through October 2009
- \*2 from November 2009
- \*3 Only for vehicles with Start/Stop system
- \*4 Only for vehicles without Start/Stop system
- \*5 Only for vehicles with CD changer/CD changer prep

15K1-028020515

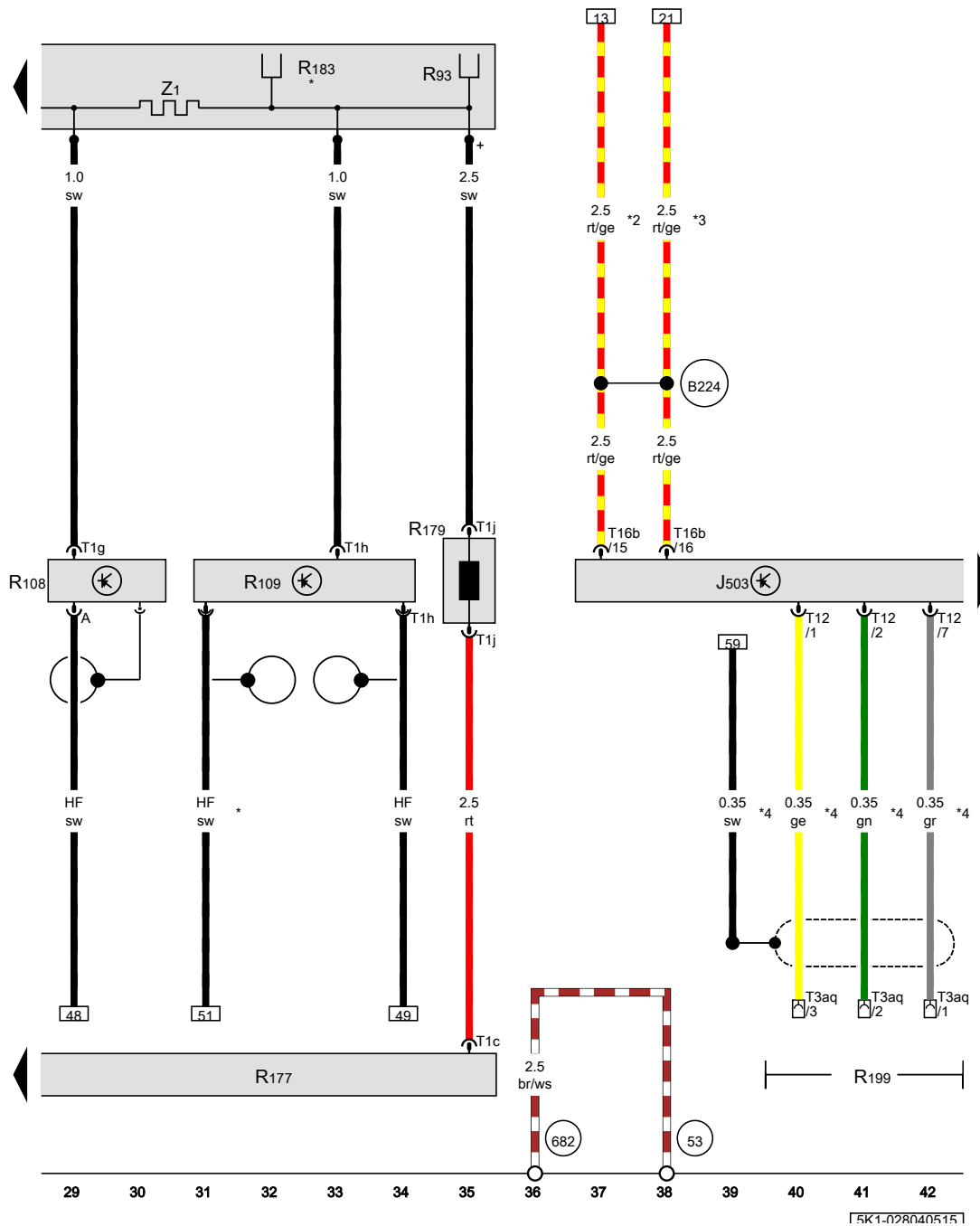


Voltage stabilizer, Antenna, AM frequency filter, FM frequency filter in negative wire, Rear window defogger

- J532 Voltage stabilizer
  - J682 Terminal 50 power supply relay
  - J906 Starter relay 1
  - R11 Antenna
  - R177 AM frequency filter
  - R178 FM frequency filter in negative wire
  - SC2 Fuse 2 (on fuse panel C)
  - SC13 Fuse 13 (on fuse panel C)
  - SC25 Fuse 25 (on fuse panel C)
  - SC28 Fuse 28 (on fuse panel C)
  - T1d Single connector
  - T1i Single connector
  - T2b Double connector
  - T5a 5-pin connector, in the left rear side panel, black
  - T5e 5-pin connector, in the left rear side panel, pink
  - T10ah 10-pin connector
  - Z1 Rear window defogger
- 47 Ground connection in right front footwell
  - 366 Ground connection 1 (in main wiring harness)
  - 369 Ground connection 4 (in main wiring harness)
  - 662 Ground connection in left rear side panel
  - A167 Positive connection 3 (30a) (in instrument panel wiring harness)
  - A170 Connection 58R (in instrument panel wiring harness) 2
  - B163 Positive connection 1 (15) (in interior wiring harness)
  - B169 Positive connection 1 (30) (in interior wiring harness)
  - B278 Positive connection 2 (15a) (in main wiring harness)
  - B320 Positive connection 6 (30a) (in main wiring harness)
  - \* Only for vehicles with Start/Stop system

- ws = white
- sw = black
- ro = red
- rt = red
- br = brown
- gn = green
- bl = blue
- gr = grey
- li = lilac
- vi = lilac
- ge = yellow
- or = orange
- rs = pink

15K1-028030515



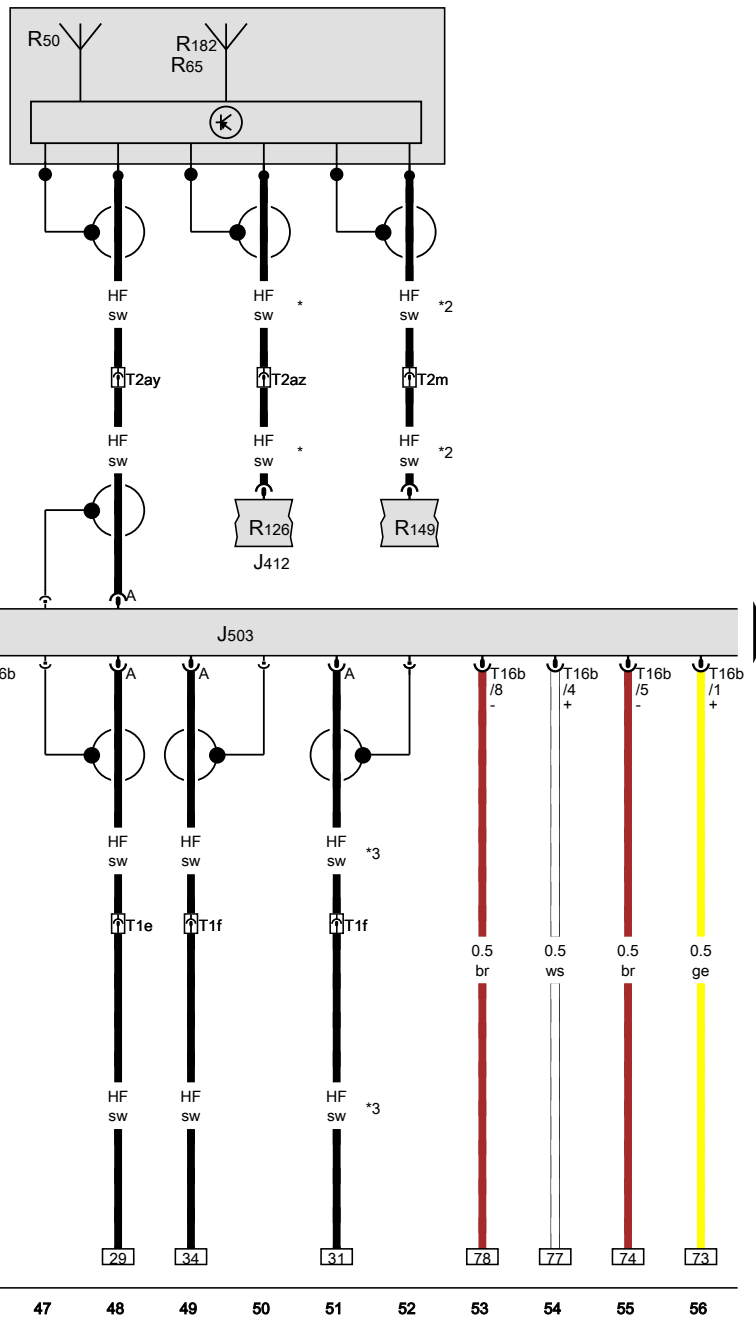
Radio/navigation display unit control module, Radio antenna 2, Left antenna module, Right antenna module, AM frequency filter, FM frequency filter in positive wire, Digital radio antenna, External audio source connection, Rear window defogger

- J503 Radio/navigation display unit control module
- R93 Radio antenna 2
- R108 Left antenna module
- R109 Right antenna module
- R177 AM frequency filter
- R179 FM frequency filter in positive wire
- R183 Digital radio antenna
- R199 External audio source connection
- T1c Single connector
- T1g Single connector
- T1h Single connector
- T1j Single connector
- T3aq 3-pin connector, in the glove compartment
- T12 12-pin connector
- T16b 16-pin connector
- Z1 Rear window defogger

- 53 Ground connection in rear lid, right
- 682 Ground connection 2 in right rear side panel
- B224 Radio connection 1 (in interior wiring harness)

- \* Only for vehicles with a digital radio
- \*2 Only for vehicles without Start/Stop system
- \*3 Only for vehicles with Start/Stop system
- \*4 Only for vehicles with CD changer and external audio source connection

15K1-02R040515



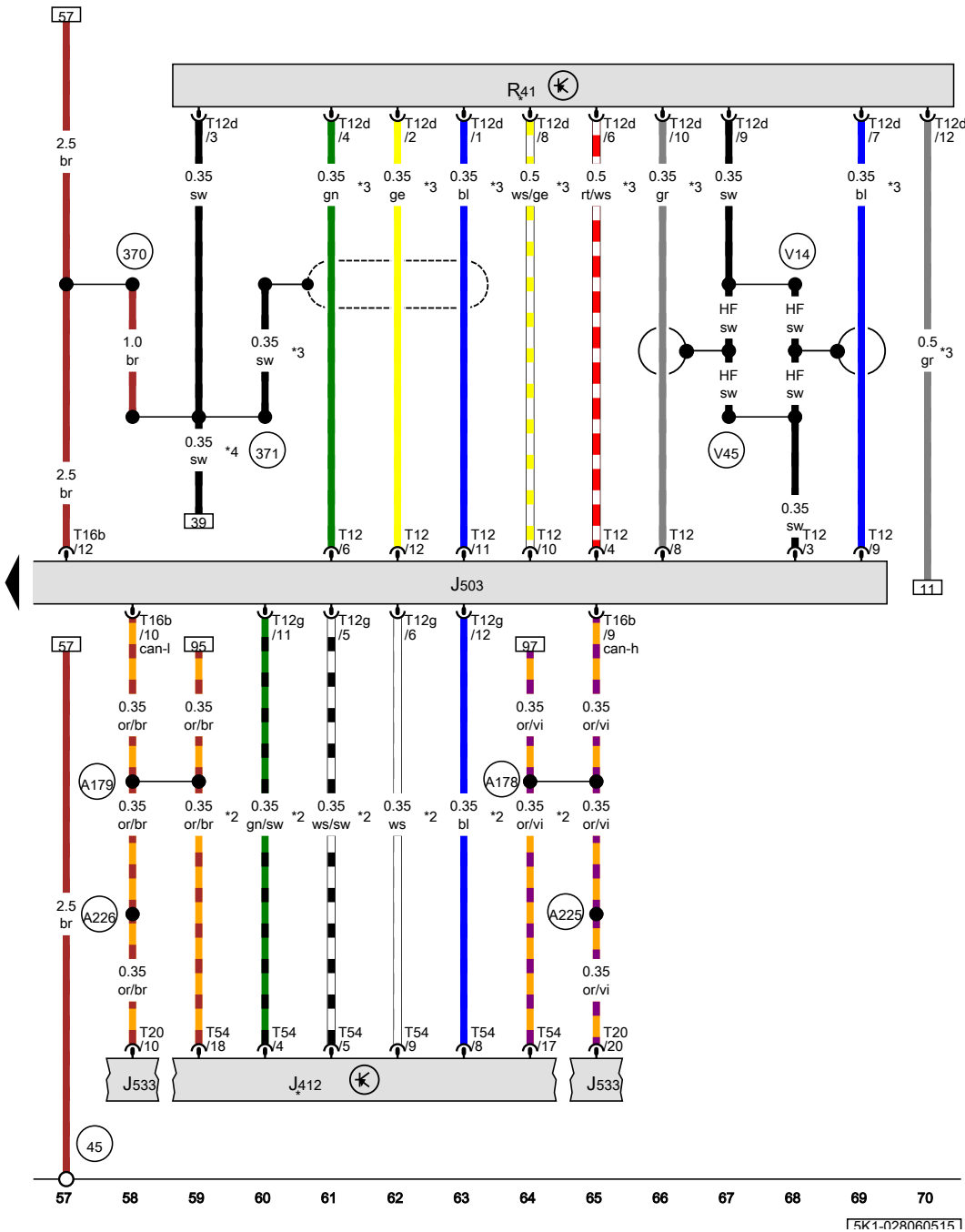
Radio/navigation display unit control module, GPS antenna, Telephone antenna, Auxiliary heater antenna

- J412 Cell phone operating electronics control module
- J503 Radio/navigation display unit control module
- R50 GPS antenna
- R65 Telephone antenna
- R126 Telephone baseplate
- R149 Auxiliary engine coolant heater radio frequency receiver
- R182 Auxiliary heater antenna
- T1e Single connector, behind the right C-pillar trim panel
- T1f Single connector, behind the right C-pillar trim panel
- T2ay Double connector, near the roof antenna
- T2az Double connector, near the roof antenna
- T2m Double connector, near the roof antenna
- T16b 16-pin connector
- \* Only for vehicles with with a cell phone/telephone prep
- \*2 Only for vehicles with auxiliary coolant heater radio receiver
- \*3 Only for vehicles with a digital radio

- ws = white
- sw = black
- ro = red
- rt = red
- br = brown
- gn = green
- bl = blue
- gr = grey
- li = lilac
- vi = lilac
- ge = yellow
- or = orange
- rs = pink

15K1-0280505151

Cell phone operating electronics control module, Radio/navigation display unit control module, CD changer



- J412 Cell phone operating electronics control module
- J503 Radio/navigation display unit control module
- J533 Data bus on board diagnostic interface
- R41 CD changer
- T12 12-pin connector
- T12d 12-pin connector
- T12g 12-pin connector
- T16b 16-pin connector
- T20 20-pin connector
- T54 54-pin connector
- 45 Ground connection behind instrument panel, center
- 370 Ground connection 5 (in main wiring harness)
- 371 Ground connection 6 (in main wiring harness)
- A178 Infotainment CAN bus high connection (in instrument panel wiring harness)
- A179 Infotainment CAN bus low connection (in instrument panel wiring harness)
- A225 Infotainment CAN bus high connection 2 (in instrument panel wiring harness)
- A226 Infotainment CAN bus low connection 2 (in instrument panel wiring harness)
- V14 Shielding connection (in CD changer wiring harness)
- V45 Shielding connection 2 (in CD changer wiring harness)

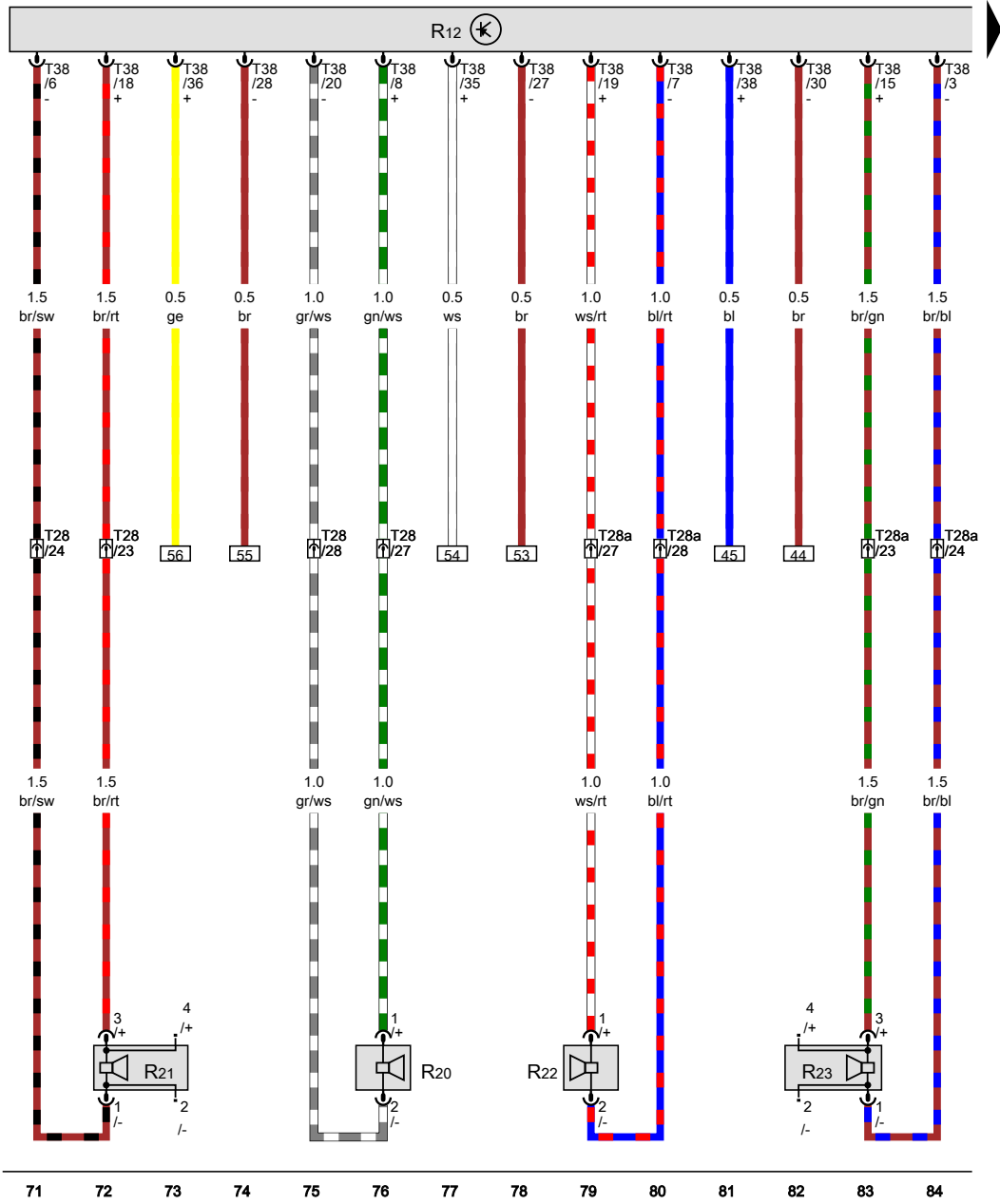
- \* Not included in the preparation
- \*2 Only for vehicles with with a cell phone/telephone prep
- \*3 Only for vehicles with CD changer/CD changer prep
- \*4 Only for vehicles with CD changer and external audio source connection

- ws = white
- sw = black
- ro = red
- rt = red
- br = brown
- gn = green
- bl = blue
- gr = grey
- li = lilac
- vi = lilac
- ge = yellow
- or = orange
- rs = pink

15K1-028060515

Amplifier, Left front treble speaker, Left front bass speaker, Right front treble speaker, Right front bass speaker

- R12 Amplifier, under the driver seat
- R20 Left front treble speaker
- R21 Left front bass speaker
- R22 Right front treble speaker
- R23 Right front bass speaker
- T28 28-pin connector, on the left A-pillar
- T28a 28-pin connector, on the right A-pillar
- T38 38-pin connector



- ws = white
- sw = black
- ro = red
- rt = red
- br = brown
- gn = green
- bl = blue
- gr = grey
- li = lilac
- vi = lilac
- ge = yellow
- or = orange
- rs = pink

15K1-028070515



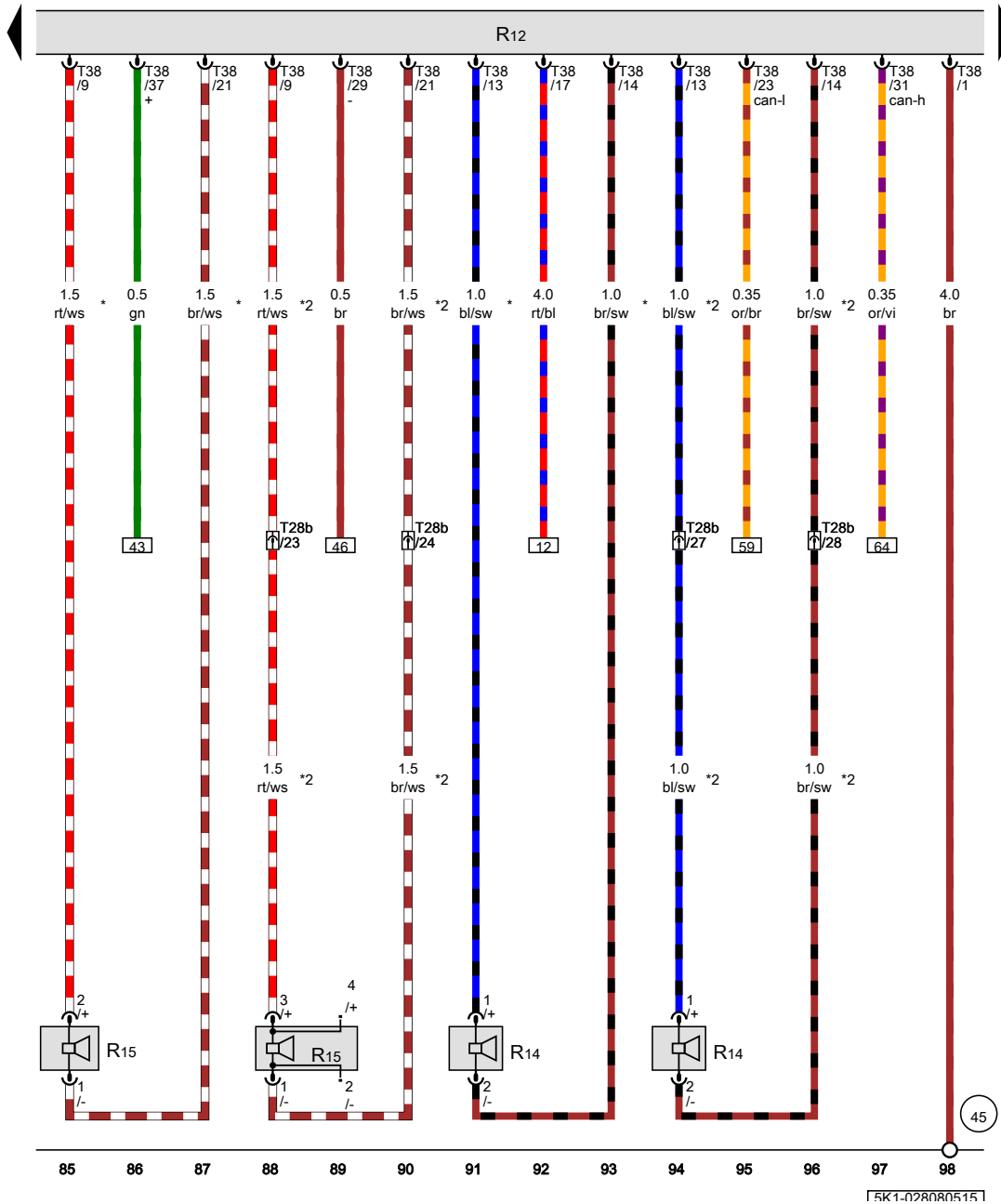
Amplifier, Left rear treble speaker, Left rear bass speaker

- R12 Amplifier, under the driver seat
- R14 Left rear treble speaker
- R15 Left rear bass speaker
- T28b 28-pin connector, on the left B-pillar
- T38 38-pin connector

45 Ground connection behind instrument panel, center

\* Only for vehicles with 2-door equipment

\*2 Only for vehicles with 4 doors

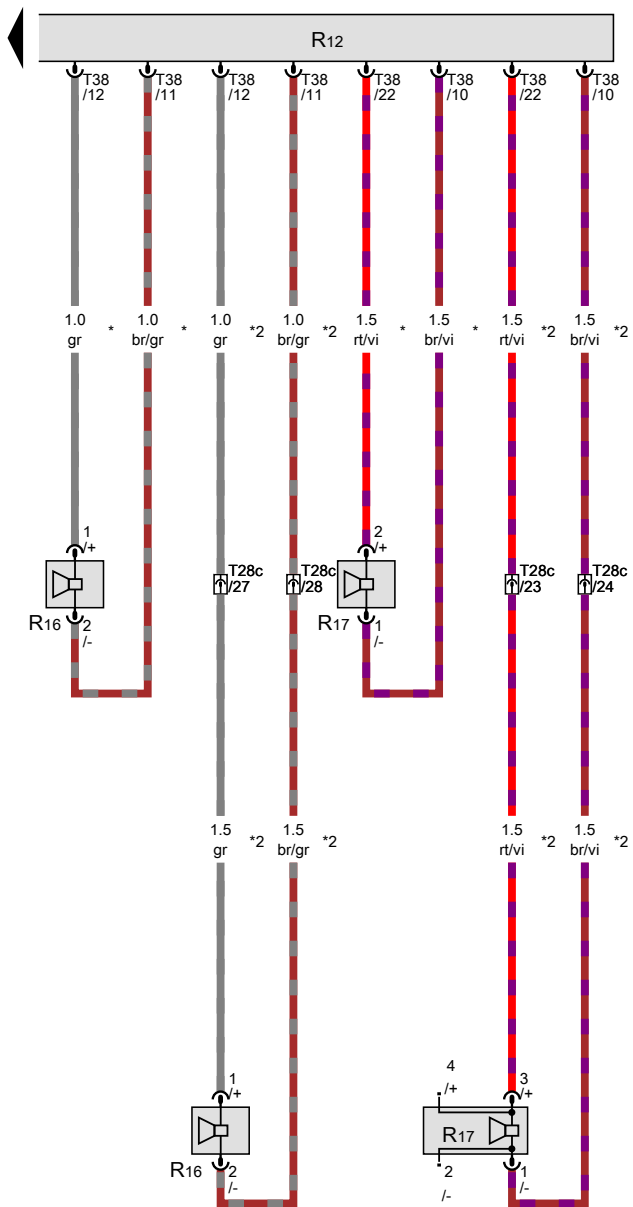


- ws = white
- sw = black
- ro = red
- rt = red
- br = brown
- gn = green
- bl = blue
- gr = grey
- li = lilac
- vi = lilac
- ge = yellow
- or = orange
- rs = pink

15K1-028005151

Amplifier, Right rear treble speaker, Right rear bass speaker

- R12 Amplifier, under the driver seat
- R16 Right rear treble speaker
- R17 Right rear bass speaker
- T28c 28-pin connector, on the right B-pillar
- T38 38-pin connector
- \* Only for vehicles with 2-door equipment
- \*2 Only for vehicles with 4 doors



- ws = white
- sw = black
- ro = red
- rt = red
- br = brown
- gn = green
- bl = blue
- gr = grey
- li = lilac
- vi = lilac
- ge = yellow
- or = orange
- rs = pink

99 100 101 102 103 104 105 106 107 108 109 110 111 112

15K1-0280905151

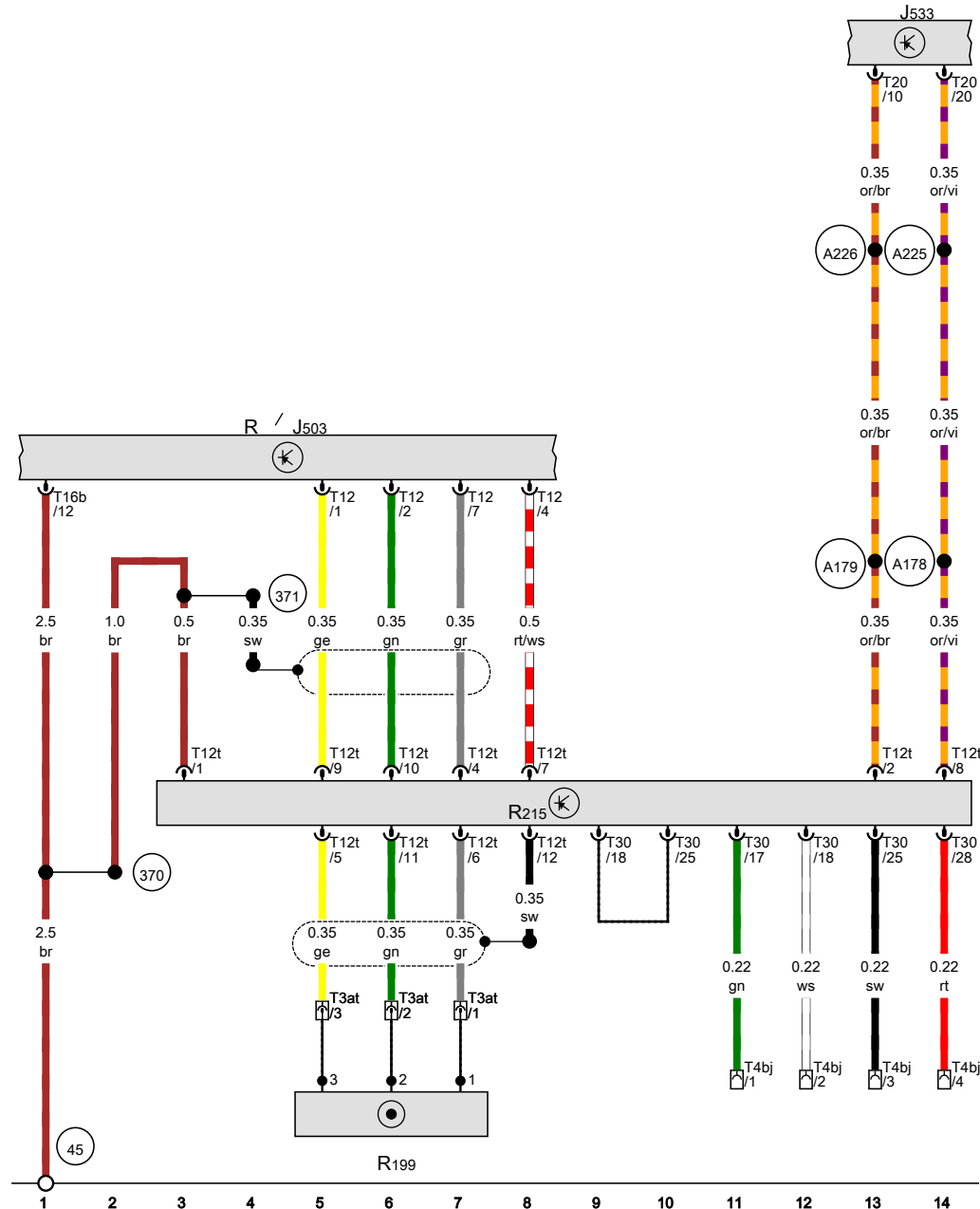
**MEDIA-IN multimedia socket**

from July 2008

Radio/navigation display unit control module, Radio, External audio source connection, External multimedia device interface

- J503 Radio/navigation display unit control module
- J533 Data bus on board diagnostic interface
- R Radio
- R199 External audio source connection
- R215 External multimedia device interface, Under the front center armrest
- T3at 3-pin connector
- T4bj 4-pin connector, in the front center armrest, USB connection
- T12 12-pin connector
- T12t 12-pin connector
- T16b 16-pin connector
- T20 20-pin connector
- T30 30-pin connector

- 45 Ground connection behind instrument panel, center
- 370 Ground connection 5 (in main wiring harness)
- 371 Ground connection 6 (in main wiring harness)
- A178 Infotainment CAN bus high connection (in instrument panel wiring harness)
- A179 Infotainment CAN bus low connection (in instrument panel wiring harness)
- A225 Infotainment CAN bus high connection 2 (in instrument panel wiring harness)
- A226 Infotainment CAN bus low connection 2 (in instrument panel wiring harness)

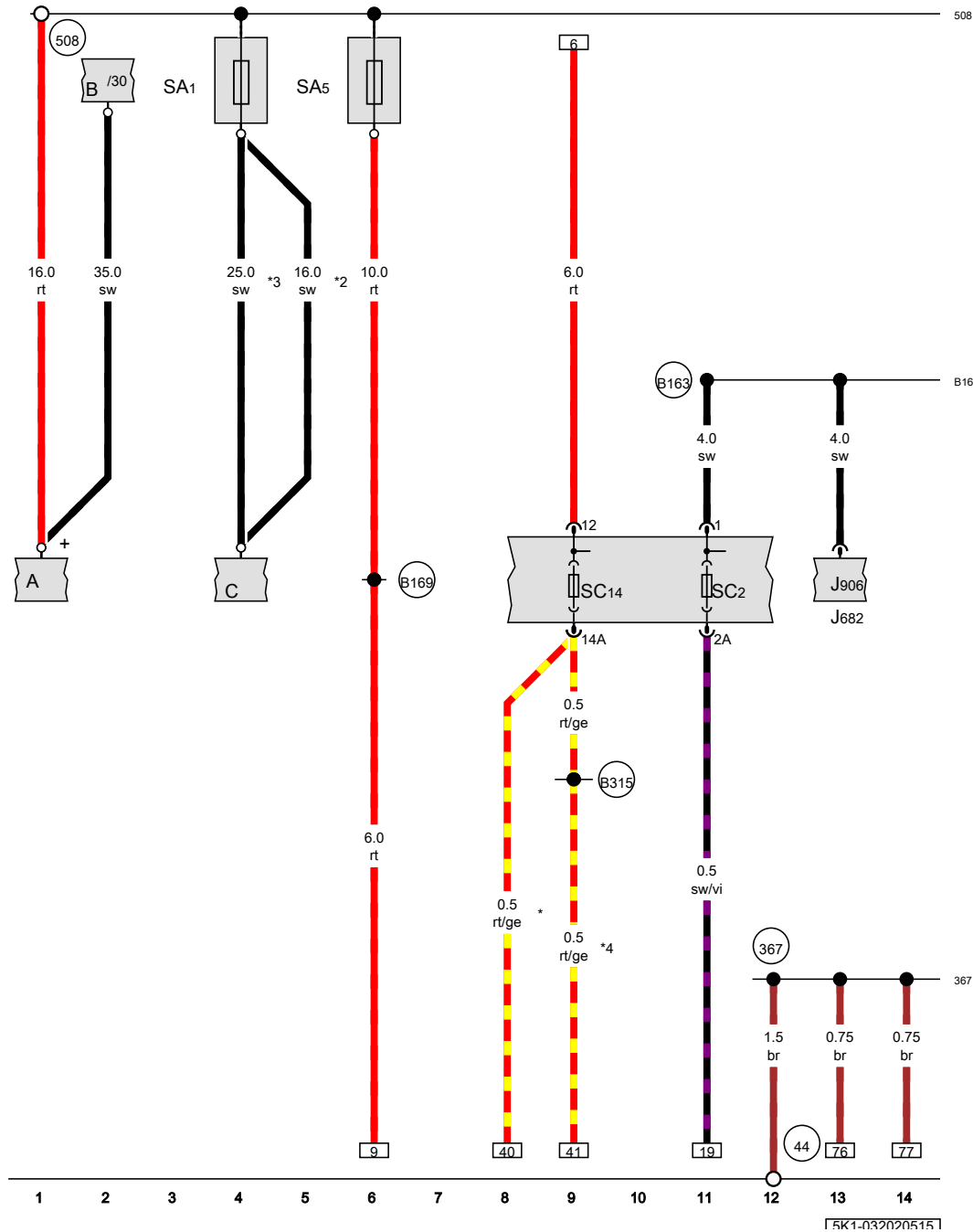


- ws = white
- sw = black
- ro = red
- rt = red
- br = brown
- gn = green
- bl = blue
- gr = grey
- li = lilac
- vi = lilac
- ge = yellow
- or = orange
- rs = pink

15K1-079021113

**Automatic transmission - DSG 02E , (G1A)**

from July 2009



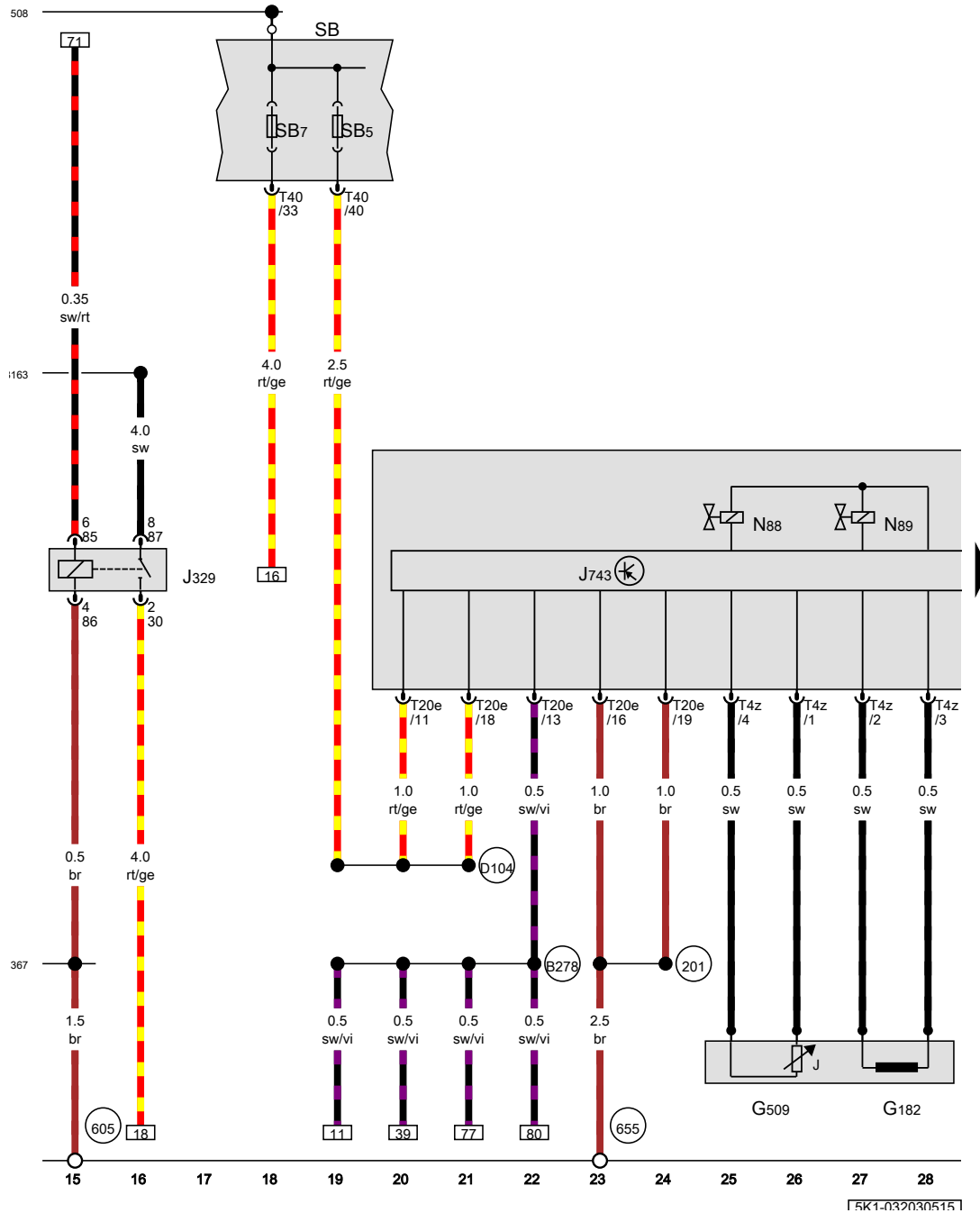
Fuse 1 (on fuse panel A), Fuse 2 (on fuse panel C), Fuse 5 (on fuse panel A), Fuse 14 (on fuse panel C)

- A Battery
- B Starter
- C Generator
- J682 Terminal 50 power supply relay
- J906 Starter relay 1
- SA1 Fuse 1 (on fuse panel A)
- SC2 Fuse 2 (on fuse panel C)
- SA5 Fuse 5 (on fuse panel A)
- SC14 Fuse 14 (on fuse panel C)

- 44 Ground connection on A-pillar, lower left
- 367 Ground connection 2 (in main wiring harness)
- 508 Terminal 30 threaded connection (on E-box)
- B163 Positive connection 1 (15) (in interior wiring harness)
- B169 Positive connection 1 (30) (in interior wiring harness)
- B315 Positive connection 1 (30a) (in main wiring harness)
- \* Only for vehicles without an A/C system
- \*2 Only for vehicles with 90 A/120 A generator
- \*3 Only for vehicles with a generator (140 A)
- \*4 Only for vehicles with A/C system

- ws = white
- sw = black
- ro = red
- rt = red
- br = brown
- gn = green
- bl = blue
- gr = grey
- li = lilac
- vi = lilac
- ge = yellow
- or = orange
- rs = pink

15K1-032020515



Transmission input speed sensor, Clutch oil temperature sensor, Terminal 15 power supply relay, DSG transmission Mechatronic, Solenoid valve 1, Solenoid valve 2, Fuse panel B

- G182 Transmission input speed sensor
- G509 Clutch oil temperature sensor
- J329 Terminal 15 power supply relay
- J743 DSG transmission Mechatronic, in the transmission
- N88 Solenoid valve 1
- N89 Solenoid valve 2
- SB Fuse panel B
- SB5 Fuse 5 (on fuse panel B)
- SB7 Fuse 7 (on fuse panel B)
- T4z 4-pin connector
- T20e 20-pin connector
- T40 40-pin connector

- (201) Ground connection 5 (in engine compartment wiring harness)
- (367) Ground connection 2 (in main wiring harness)
- (508) Terminal 30 threaded connection (on E-box)
- (605) Ground connection on upper steering column
- (655) Ground connection on left headlamp
- (B163) Positive connection 1 (15) (in interior wiring harness)
- (B278) Positive connection 2 (15a) (in main wiring harness)
- (D104) Positive connection 2 (30a) (in engine compartment wiring harness)

- ws = white
- sw = black
- ro = red
- rt = red
- br = brown
- gn = green
- bl = blue
- gr = grey
- li = lilac
- vi = lilac
- ge = yellow
- or = orange
- rs = pink

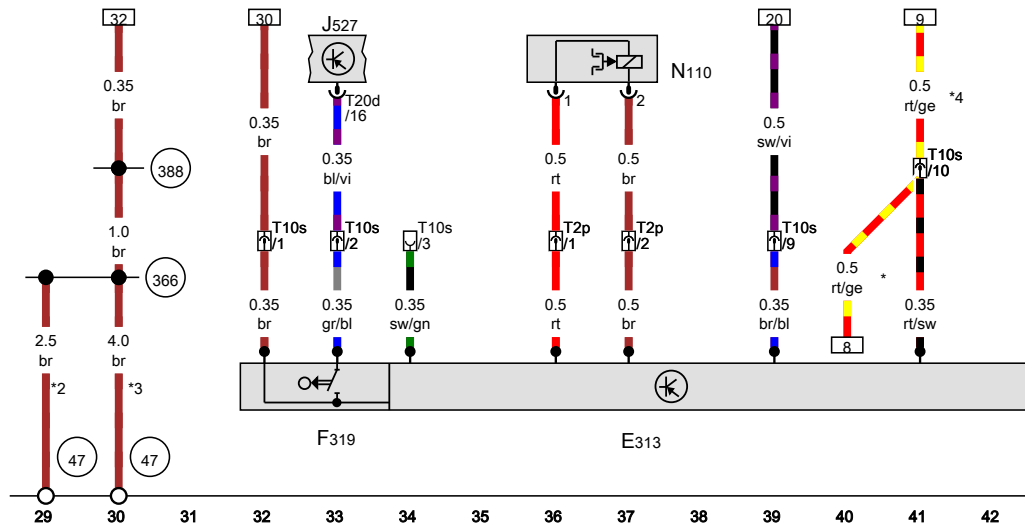
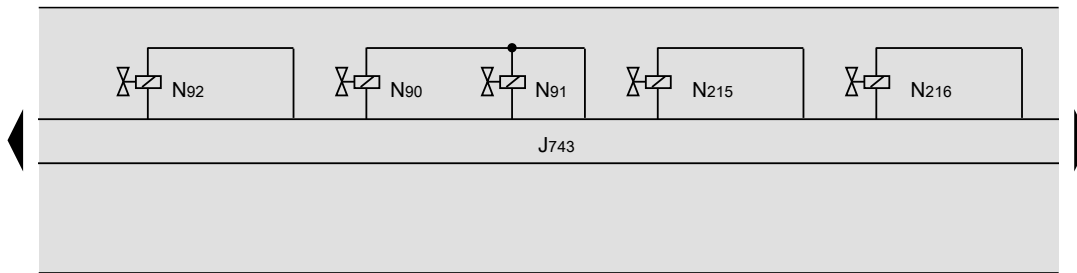
15K1-032030515

Selector lever, Selector lever park position lock switch, DSG transmission Mechatronic, Solenoid valve 4, Solenoid valve 5, Shift lock solenoid, Automatic transmission pressure regulating valve 1, Automatic transmission pressure regulating valve 2

- E313 Selector lever
- F319 Selector lever park position lock switch
- J527 Steering column electronics control module
- J743 DSG transmission Mechatronic, in the transmission
- N90 Solenoid valve 3
- N91 Solenoid valve 4
- N92 Solenoid valve 5
- N110 Shift lock solenoid
- N215 Automatic transmission pressure regulating valve 1
- N216 Automatic transmission pressure regulating valve 2
- T2p Double connector, under the selector lever
- T10s 10-pin connector, under the selector lever
- T20d 20-pin connector

- 47 Ground connection in right front footwell
- 366 Ground connection 1 (in main wiring harness)
- 388 Ground connection 23 (in main wiring harness)

- \* Only for vehicles without an A/C system
- \*2 Only for vehicles without Start/Stop system
- \*3 Only for vehicles with Start/Stop system
- \*4 Only for vehicles with A/C system



- ws = white
- sw = black
- ro = red
- rt = red
- br = brown
- gn = green
- bl = blue
- gr = grey
- li = lilac
- vi = lilac
- ge = yellow
- or = orange
- rs = pink

15K1-032040515

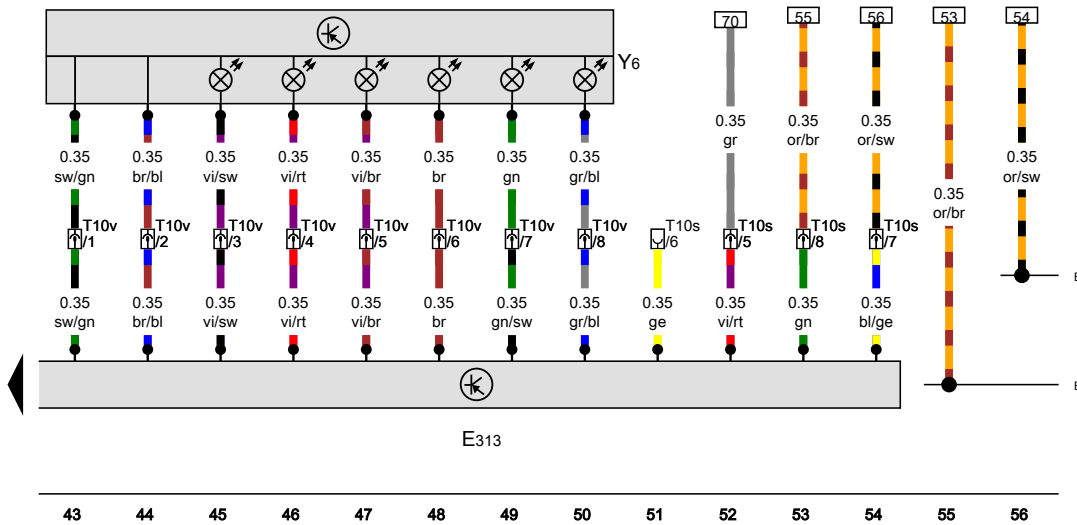
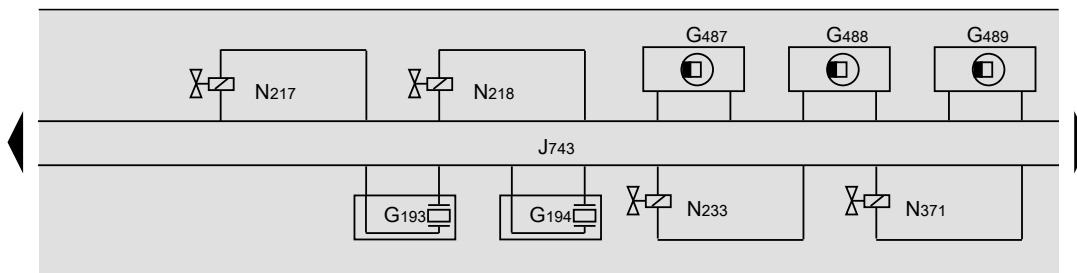


Selector lever, Automatic transmission hydraulic pressure sensor 1, Automatic transmission hydraulic pressure sensor 2, Gear position distance sensor 1, Gear position distance sensor 2, Gear position distance sensor 3, DSG transmission Mechatronic, Automatic transmission pressure regulating valve 3, Automatic transmission pressure regulating valve 4, Automatic transmission pressure regulating valve 5, Automatic transmission pressure regulating valve 6, Transmission range display

- E313 Selector lever
- G193 Automatic transmission hydraulic pressure sensor 1
- G194 Automatic transmission hydraulic pressure sensor 2
- G487 Gear position distance sensor 1
- G488 Gear position distance sensor 2
- G489 Gear position distance sensor 3
- J743 DSG transmission Mechatronic, in the transmission
- N217 Automatic transmission pressure regulating valve 3
- N218 Automatic transmission pressure regulating valve 4
- N233 Automatic transmission pressure regulating valve 5
- N371 Automatic transmission pressure regulating valve 6
- T10v 10-pin connector, under the selector lever
- Y6 Transmission range display

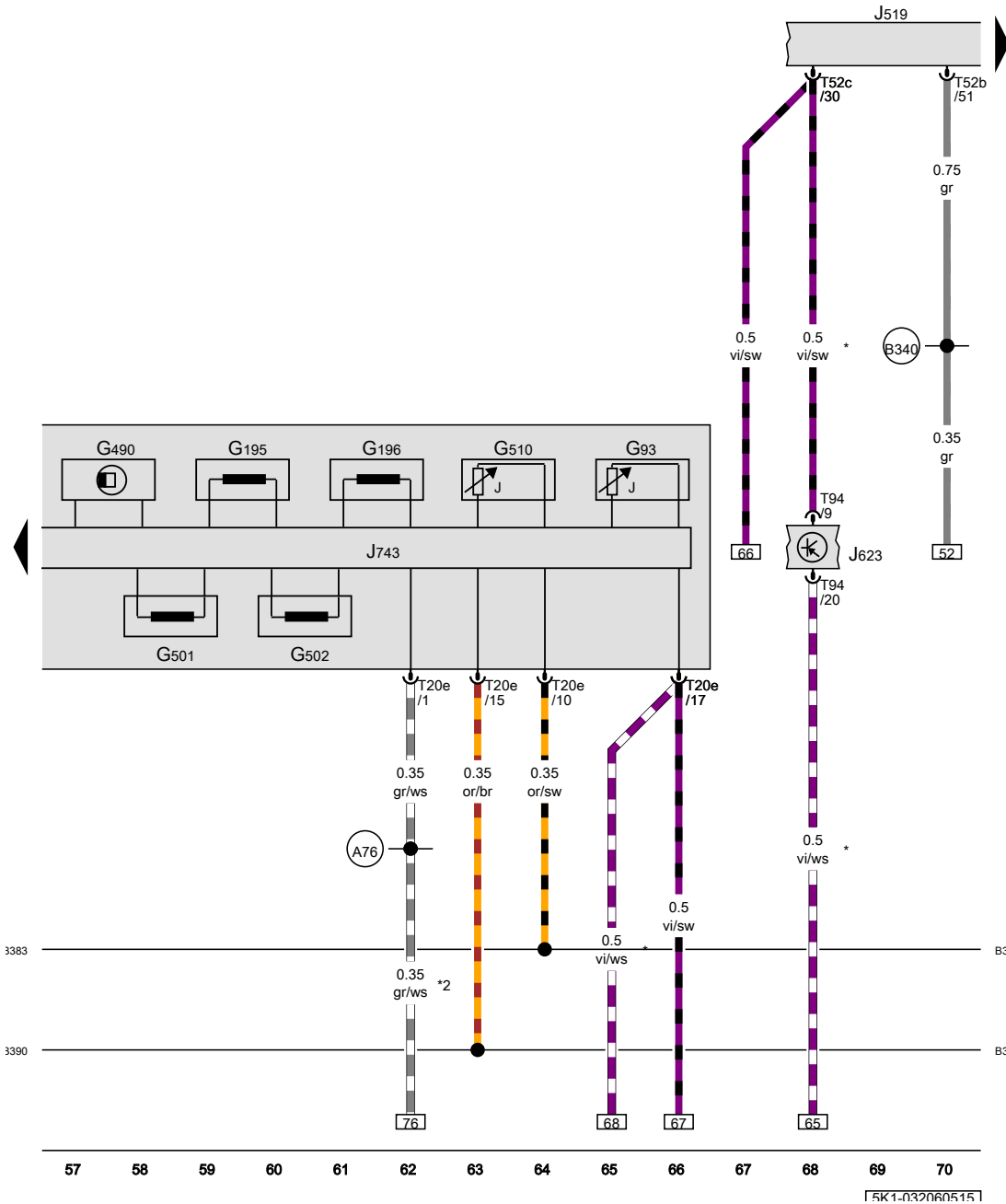
(B383) Powertrain CAN bus high connection 1 (in main wiring harness)

(B390) Powertrain CAN bus low connection 1 (in main wiring harness)



- ws = white
- sw = black
- ro = red
- rt = red
- br = brown
- gn = green
- bl = blue
- gr = grey
- li = lilac
- vi = lilac
- ge = yellow
- or = orange
- rs = pink

15K1-032050515

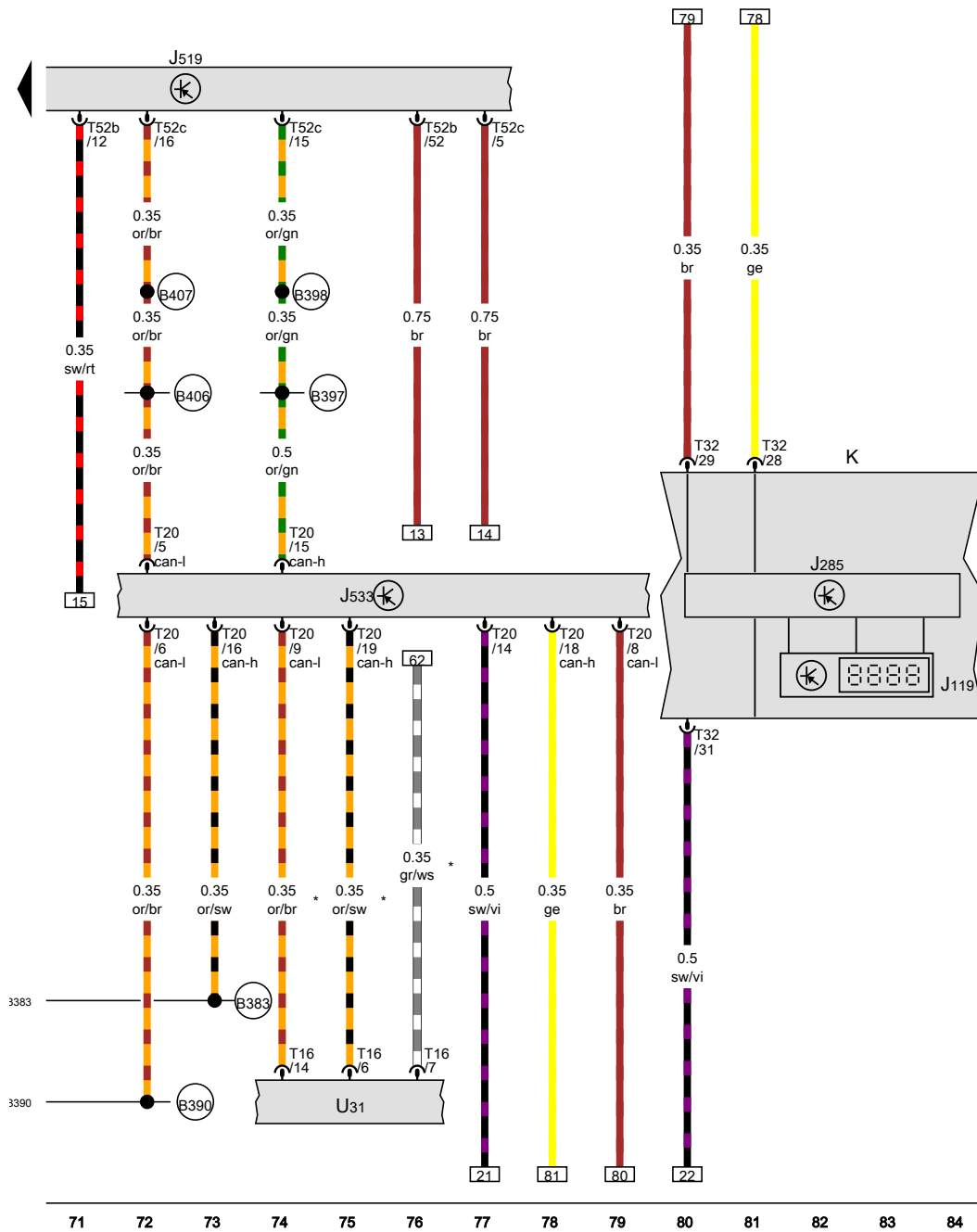


Transmission fluid temperature sensor, Transmission output speed sensor, Transmission output speed sensor 2, Gear position distance sensor 4, Driveshaft speed sensor 1, Driveshaft speed sensor 2, Temperature sensor in control module, DSG transmission Mechatronic

- G93 Transmission fluid temperature sensor
- G195 Transmission output speed sensor
- G196 Transmission output speed sensor 2
- G490 Gear position distance sensor 4
- G501 Driveshaft speed sensor 1
- G502 Driveshaft speed sensor 2
- G510 Temperature sensor in control module
- J519 Vehicle electrical control module system
- J623 Engine control module
- J743 DSG transmission Mechatronic, in the transmission
- T20e 20-pin connector
- T52b 52-pin connector
- T52c 52-pin connector
- T94 94-pin connector
- (A76) KS-diagnostic lead connection (in instrument panel wiring harness)
- (B340) Connection 58d (in main wiring harness) 1
- (B383) Powertrain CAN bus high connection 1 (in main wiring harness)
- (B390) Powertrain CAN bus low connection 1 (in main wiring harness)
- \* Refer to applicable engine wiring diagram
- \*2 Diagnostic connector

- ws = white
- sw = black
- ro = red
- rt = red
- br = brown
- gn = green
- bl = blue
- gr = grey
- li = lilac
- vi = lilac
- ge = yellow
- or = orange
- rs = pink

15K1-0320605151



Multifunction indicator, Instrument cluster control module, Data bus on board diagnostic interface

- J119 Multifunction indicator
- J285 Instrument cluster control module
- J519 Vehicle electrical control module system
- J533 Data bus on board diagnostic interface, in the left footwell, near the center console
- K Instrument cluster
- T16 16-pin connector
- T20 20-pin connector
- T32 32-pin connector
- T52b 52-pin connector
- T52c 52-pin connector
- U31 Diagnostic connection

(B383) Powertrain CAN bus high connection 1 (in main wiring harness)

(B390) Powertrain CAN bus low connection 1 (in main wiring harness)

(B397) Comfort system CAN bus high connection 1 (in main wiring harness)

(B398) Comfort system CAN bus high connection 2 (in main wiring harness)

(B406) Comfort system CAN bus low connection 1 (in main wiring harness)

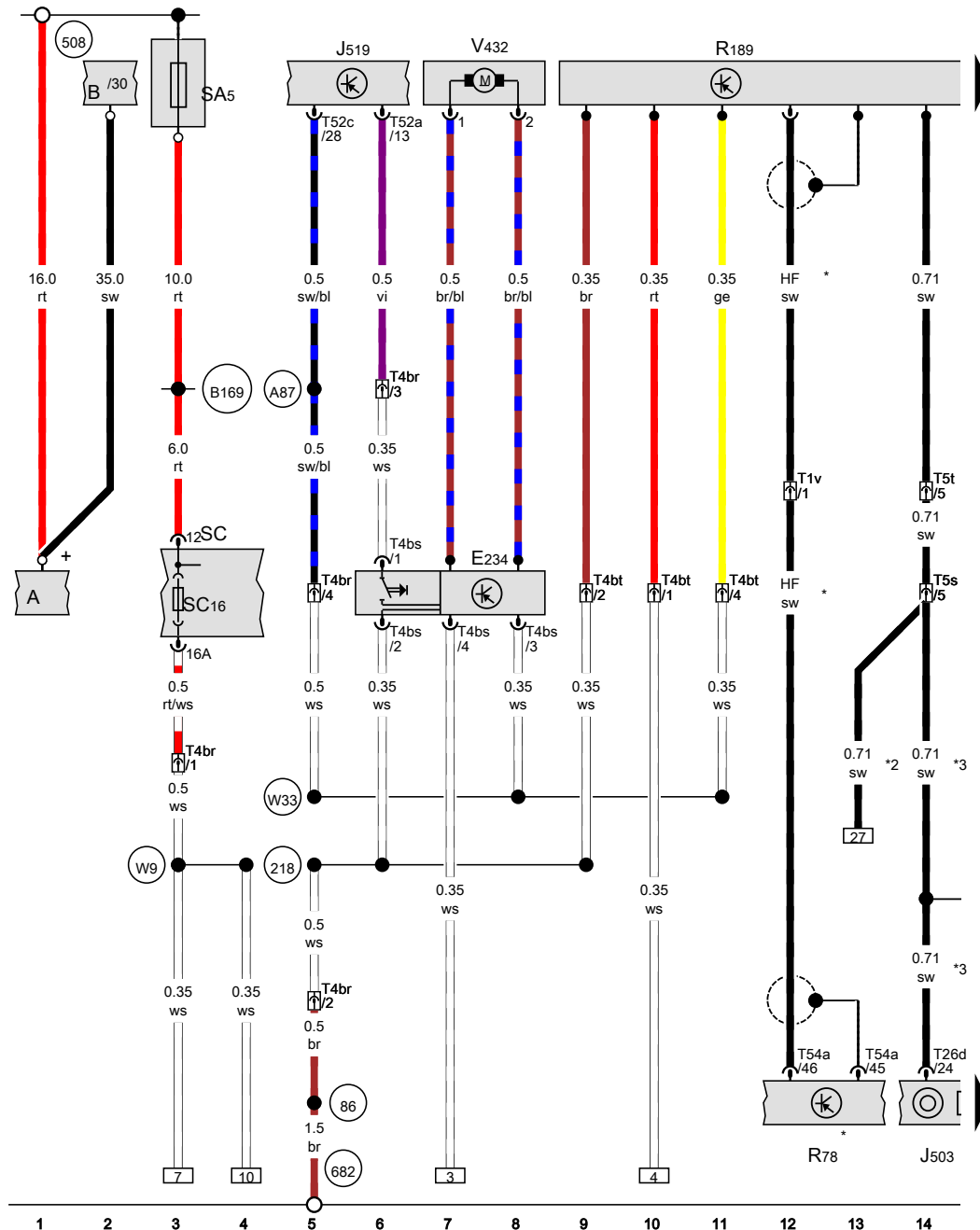
(B407) Comfort system CAN bus low connection 2 (in main wiring harness)

\* Diagnostic connector

- ws = white
- sw = black
- ro = red
- rt = red
- br = brown
- gn = green
- bl = blue
- gr = grey
- li = lilac
- vi = lilac
- ge = yellow
- or = orange
- rs = pink

Rearview camera (Rear Assist) , (7X9),(8A0)

from July 2008



Release button in rear lid handle, Radio/navigation display unit control module, Vehicle electrical control module system, Rearview camera, Fuse 5 (on fuse panel A), Fuse 16 (on fuse panel C), Emblem motor

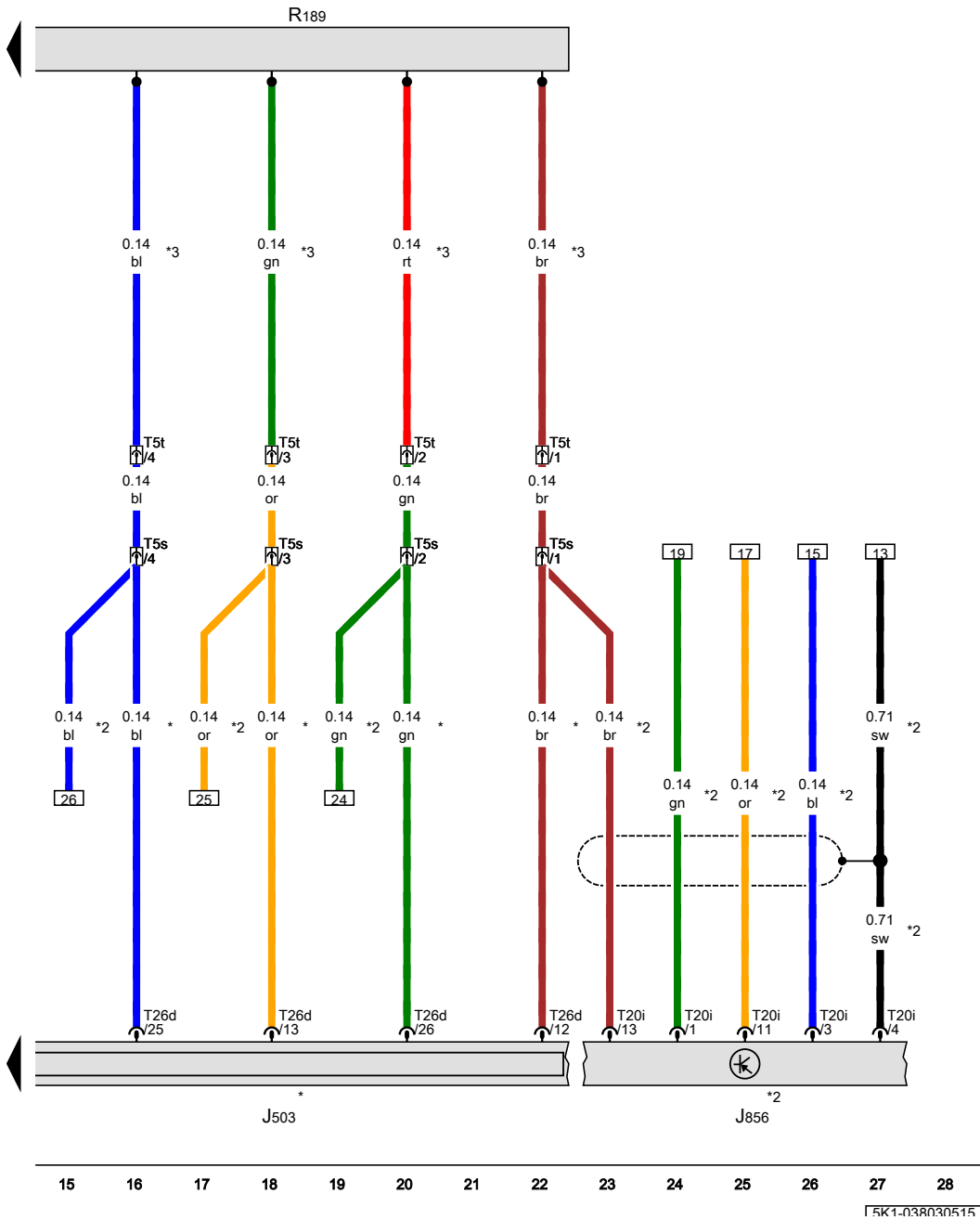
- A Battery
  - B Starter
  - E234 Release button in rear lid handle
  - J503 Radio/navigation display unit control module
  - J519 Vehicle electrical control module system
  - R78 TV tuner
  - R189 Rearview camera
  - SA5 Fuse 5 (on fuse panel A)
  - SC Fuse panel C
  - SC16 Fuse 16 (on fuse panel C)
  - T1v Single connector, behind the right C-pillar trim panel
  - T4br 4-pin connector, behind the right C-pillar trim panel
  - T4bs 4-pin connector
  - T4bt 4-pin connector, in the rear lid
  - T5s 5-pin connector, in the right rear side panel
  - T5t 5-pin connector, in the rear lid
  - T26d 26-pin connector
  - T52a 52-pin connector
  - T52c 52-pin connector
  - T54a 54-pin connector
  - V432 Emblem motor
- 
- 86 Ground connection 1 (in rear wiring harness)
  - 218 Ground connection 1 (in rear lid wiring harness)
  - 508 Terminal 30 threaded connection (on E-box)
  - 682 Ground connection 2 in right rear side panel
  - A87 Back-up lamp connection (in instrument panel wiring harness)
  - B169 Positive connection 1 (30) (in interior wiring harness)
  - W9 Positive connection 1 (30) (in rear wiring harness)
  - W33 Back-up lamp connection (in rear lid wiring harness)
- 
- \* Only for vehicles with Japan equipment
  - \*2 Only for vehicles with Korea equipment
  - \*3 Not for vehicles with Korea equipment

- ws = white
- ro = black
- rt = red
- br = brown
- gn = green
- bl = blue
- gr = grey
- li = lilac
- vi = lilac
- ge = yellow
- or = orange
- rs = pink

15K1-0380205151

Radio/navigation display unit control module, Navigation system control module, Rearview camera

- J503 Radio/navigation display unit control module
- J856 Navigation system control module
- R189 Rearview camera
- T5s 5-pin connector, in the right rear side panel
- T5t 5-pin connector, in the rear lid
- T20i 20-pin connector
- T26d 26-pin connector
- \* Not for vehicles with Korea equipment
- \*2 Only for vehicles with Korea equipment
- \*3 Only for vehicles without Japan equipment



- ws = white
- sw = black
- ro = red
- rt = red
- br = brown
- gn = green
- bl = blue
- gr = grey
- li = lilac
- vi = lilac
- ge = yellow
- or = orange
- rs = pink

## Engine preheating , (7VP)

from July 2008

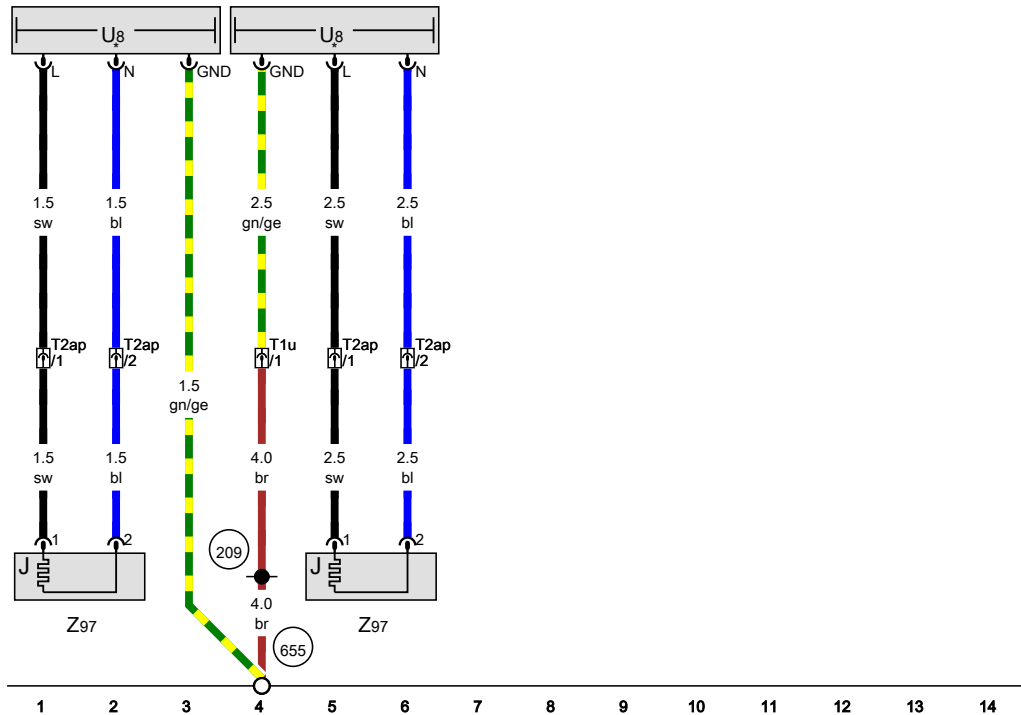
Exterior socket, 230 V, 110 V, Engine preheating element

- T1u Single connector
- T2ap Double connector
- U8 Exterior socket, 230 V, 110 V, behind the right front bumper
- Z97 Engine preheating element

209 Ground connection 6 (in engine compartment wiring harness)

655 Ground connection on left headlamp

\* Depending on equipment



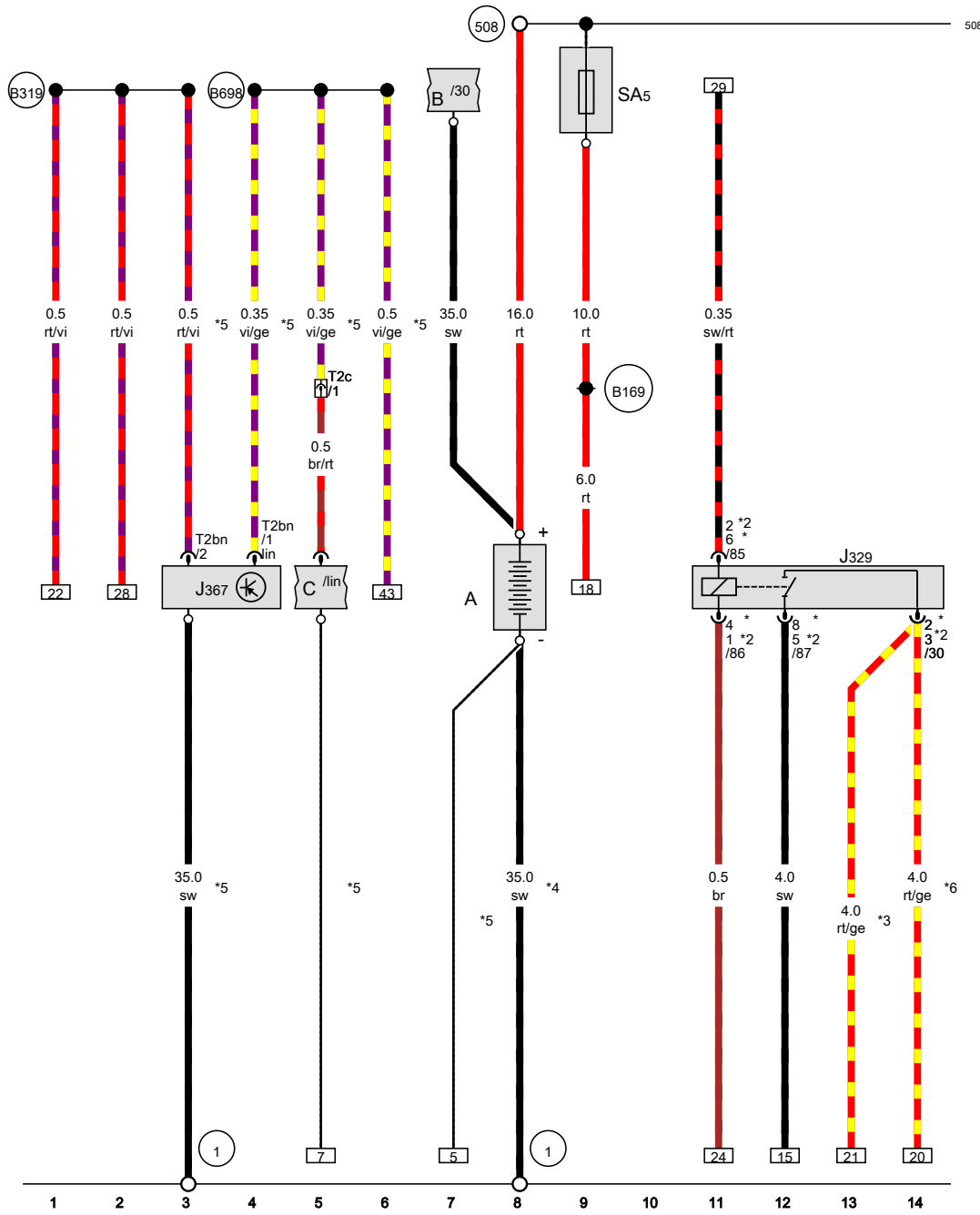
- ws = white
- sw = black
- ro = red
- rt = red
- br = brown
- gn = green
- bl = blue
- gr = grey
- li = lilac
- vi = lilac
- ge = yellow
- or = orange
- rs = pink

15K1-039020515



## Network data bus

from July 2008



**Battery, Terminal 15 power supply relay, Battery monitoring control module, Fuse 5 (on fuse panel A)**

- A Battery
- B Starter
- C Generator
- J329 Terminal 15 power supply relay
- J367 Battery monitoring control module
- SA5 Fuse 5 (on fuse panel A)
- T2bn Double connector
- T2c Double connector, near the starter

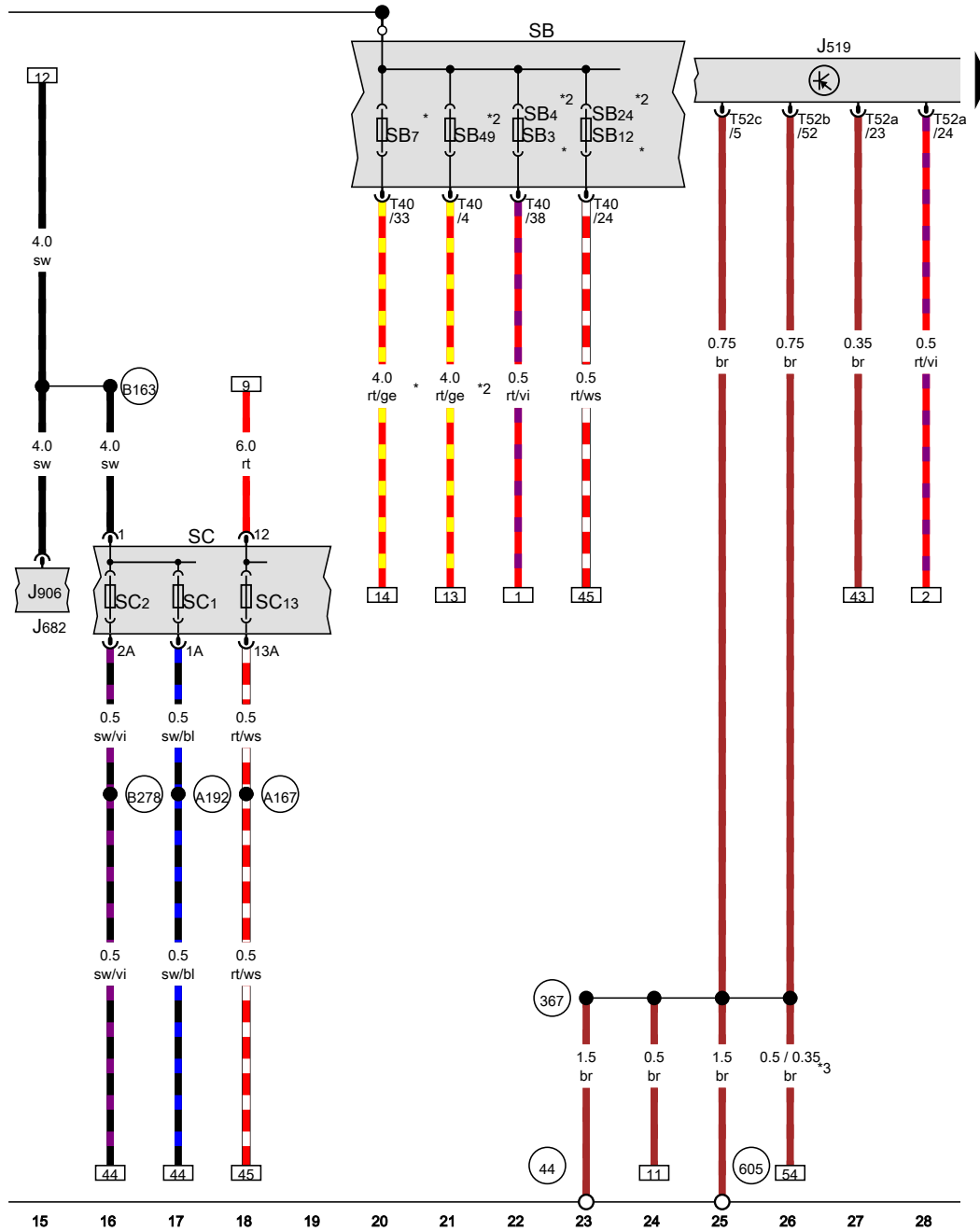
- 1 Ground strap, battery to body
- 508 Terminal 30 threaded connection (on E-box)
- B169 Positive connection 1 (30) (in interior wiring harness)
- B319 Positive connection 5 (30a) (in main wiring harness)
- B698 LIN bus connection 3 (in main wiring harness)

- \* Through October 2009
- \*2 from November 2009
- \*3 E-Box high
- \*4 Only for vehicles without Start/Stop system
- \*5 Only for vehicles with Start/Stop system
- \*6 E-Box low

- ws = white
- sw = black
- ro = red
- rt = red
- br = brown
- gn = green
- bl = blue
- gr = grey
- li = lilac
- vi = lilac
- ge = yellow
- or = orange
- rs = pink

15K1-040020515

508



Fuse panel B, Fuse panel C

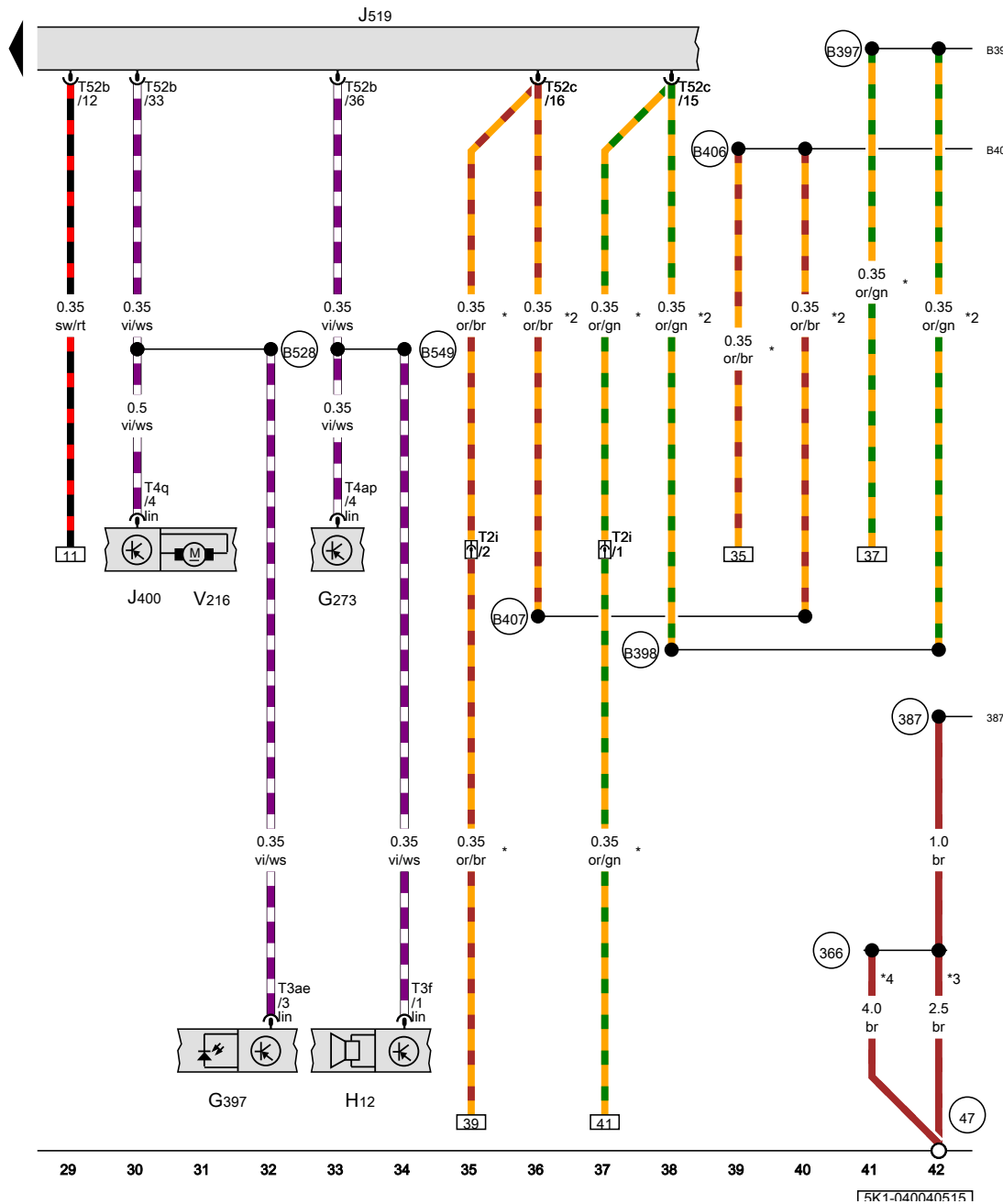
- J519 Vehicle electrical control module system
- J682 Terminal 50 power supply relay
- J906 Starter relay 1
- SB Fuse panel B
- SC1 Fuse 1 (on fuse panel C)
- SC2 Fuse 2 (on fuse panel C)
- SB3 Fuse 3 (on fuse panel B)
- SB4 Fuse 4 (on fuse panel B)
- SB7 Fuse 7 (on fuse panel B)
- SB12 Fuse 12 (on fuse panel B)
- SC Fuse panel C
- SC13 Fuse 13 (on fuse panel C)
- SB24 Fuse 24 (on fuse panel B)
- SB49 Fuse 49 (on fuse panel B)
- T40 40-pin connector
- T52a 52-pin connector
- T52b 52-pin connector
- T52c 52-pin connector

- 44 Ground connection on A-pillar, lower left
- 367 Ground connection 2 (in main wiring harness)
- 508 Terminal 30 threaded connection (on E-box)
- 605 Ground connection on upper steering column
- A167 Positive connection 3 (30a) (in instrument panel wiring harness)
- A192 Positive connection 3 (15a) (in instrument panel wiring harness)
- B163 Positive connection 1 (15) (in interior wiring harness)
- B278 Positive connection 2 (15a) (in main wiring harness)

- ws = white
- sw = black
- ro = red
- rt = red
- br = brown
- gn = green
- bl = blue
- gr = grey
- li = lilac
- vi = lilac
- ge = yellow
- or = orange
- rs = pink

- \* E-Box low
- \*2 E-Box high
- \*3 from May 2011

1FK1-040030515



Interior monitoring sensor, Rain/light recognition sensor, Alarm horn, Wiper motor control module, Driver windshield wiper motor

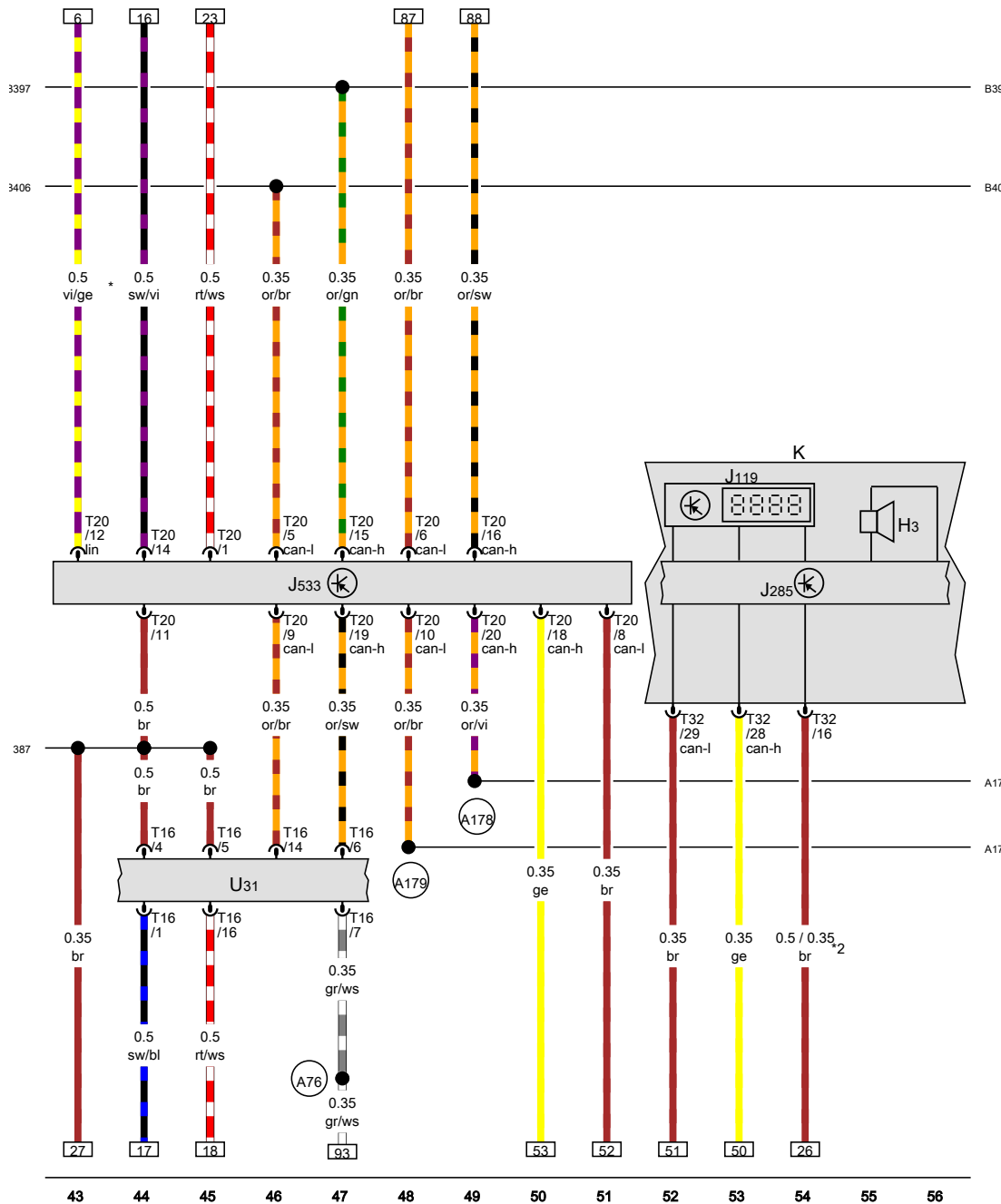
- G273 Interior monitoring sensor
- G397 Rain/light recognition sensor
- H12 Alarm horn
- J400 Wiper motor control module
- J519 Vehicle electrical control module system
- T2i Double connector, under the instrument panel, left
- T3ae 3-pin connector
- T3f 3-pin connector
- T4ap 4-pin connector
- T4q 4-pin connector
- T52b 52-pin connector
- T52c 52-pin connector
- V216 Driver windshield wiper motor

- (47) Ground connection in right front footwell
- (366) Ground connection 1 (in main wiring harness)
- (387) Ground connection 22 (in main wiring harness)
- (B397) Comfort system CAN bus high connection 1 (in main wiring harness)
- (B398) Comfort system CAN bus high connection 2 (in main wiring harness)
- (B406) Comfort system CAN bus low connection 1 (in main wiring harness)
- (B407) Comfort system CAN bus low connection 2 (in main wiring harness)
- (B528) LIN bus connection 1 (in main wiring harness)
- (B549) LIN bus connection 2 (in main wiring harness)

- ws = white
- sw = black
- ro = red
- rt = red
- br = brown
- gn = green
- bl = blue
- gr = grey
- li = lilac
- vi = lilac
- ge = yellow
- or = orange
- rs = pink

- \* Only for vehicles with trailer socket
- \*2 Only for vehicles without a trailer socket
- \*3 Only for vehicles without Start/Stop system
- \*4 Only for vehicles with Start/Stop system

15K1-0400405151



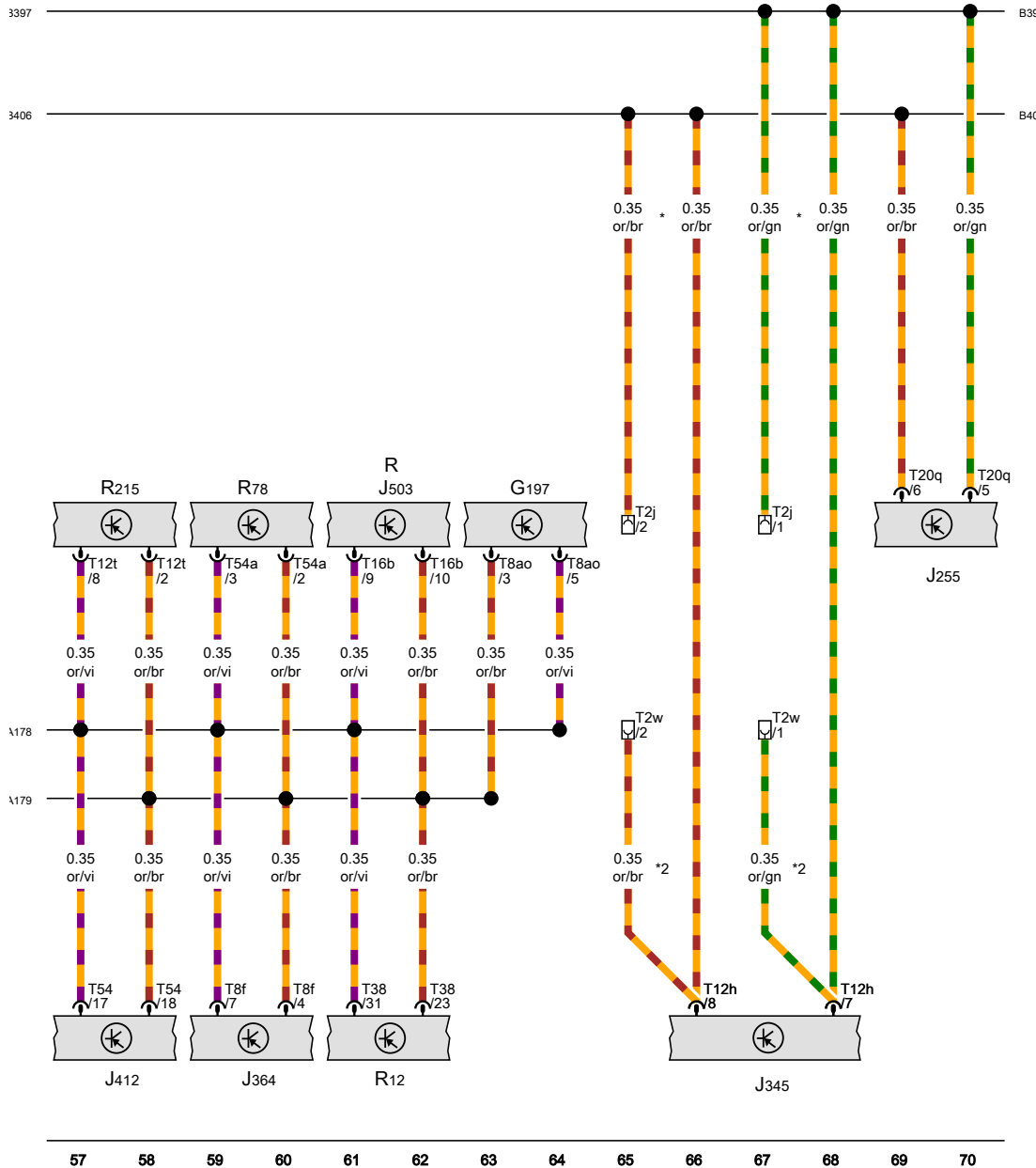
Multifunction indicator, Instrument cluster control module, Data bus on board diagnostic interface

- H3 Warning buzzer and tone
- J119 Multifunction indicator
- J285 Instrument cluster control module
- J533 Data bus on board diagnostic interface, in the left footwell, near the center console
- K Instrument cluster
- T16 16-pin connector
- T20 20-pin connector
- T32 32-pin connector
- U31 Diagnostic connection

- 387 Ground connection 22 (in main wiring harness)
- A76 KS-diagnostic lead connection (in instrument panel wiring harness)
- A178 Infotainment CAN bus high connection (in instrument panel wiring harness)
- A179 Infotainment CAN bus low connection (in instrument panel wiring harness)
- B397 Comfort system CAN bus high connection 1 (in main wiring harness)
- B406 Comfort system CAN bus low connection 1 (in main wiring harness)
- \* Only for vehicles with Start/Stop system
- \*2 from May 2011

- ws = white
- sw = black
- ro = red
- rt = red
- br = brown
- gn = green
- bl = blue
- gr = grey
- li = lilac
- vi = lilac
- ge = yellow
- or = orange
- rs = pink

15K1-040050515



15K1-040060515

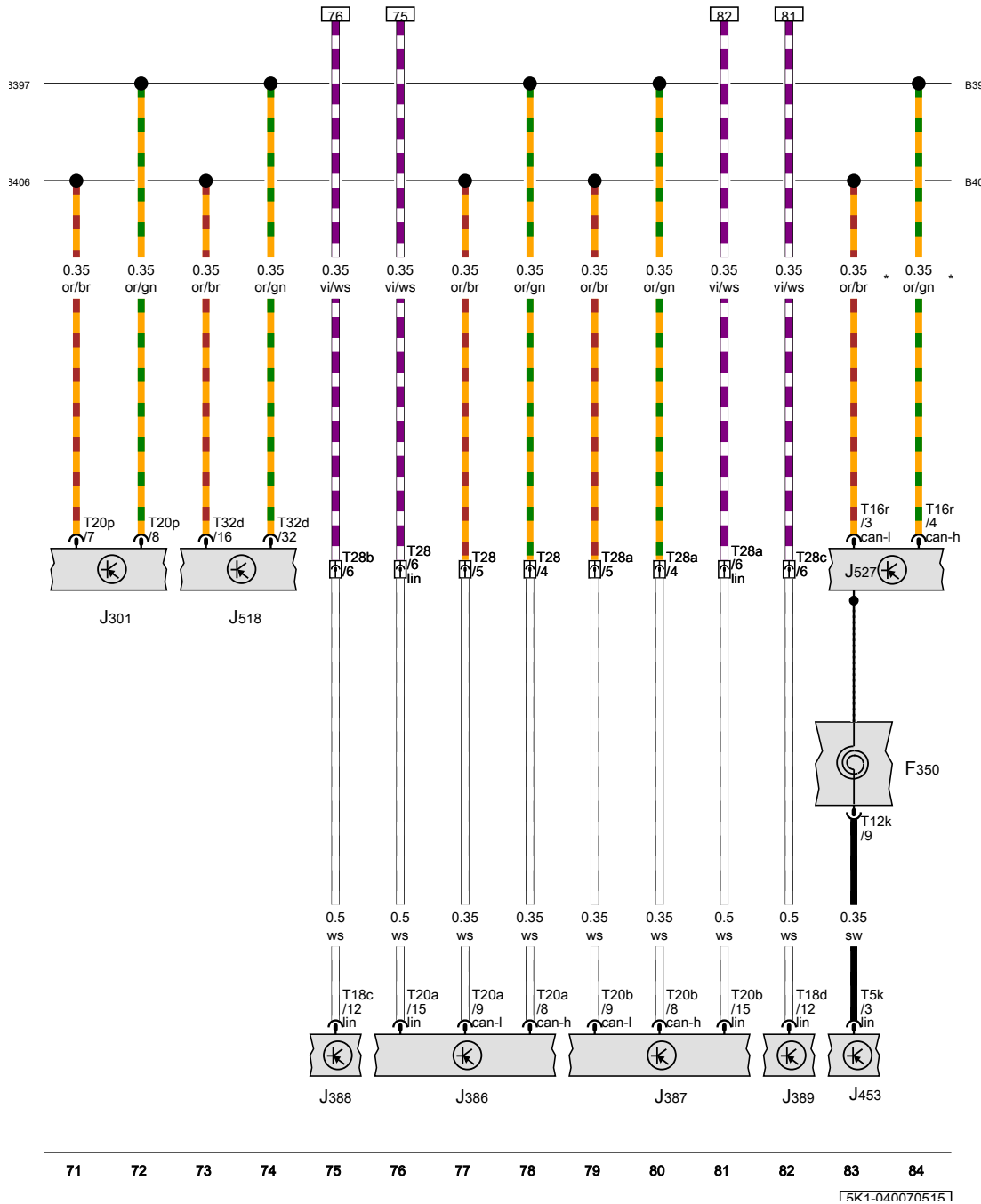
Compass magnetic field sensor, Climatronic control module, Towing recognition control module, Auxiliary heater control module, Cell phone operating electronics control module, Radio/navigation display unit control module, Radio, Amplifier, TV tuner, External multimedia device interface

- G197 Compass magnetic field sensor
- J255 Climatronic control module
- J345 Towing recognition control module
- J364 Auxiliary heater control module
- J412 Cell phone operating electronics control module
- J503 Radio/navigation display unit control module
- R Radio
- R12 Amplifier
- R78 TV tuner
- R215 External multimedia device interface
- T2j Double connector, behind the instrument panel, center
- T2w Double connector, behind the instrument panel, left
- T8ao 8-pin connector
- T8f 8-pin connector
- T12h 12-pin connector
- T12t 12-pin connector
- T16b 16-pin connector
- T20q 20-pin connector
- T38 38-pin connector
- T54 54-pin connector
- T54a 54-pin connector

- (A178) Infotainment CAN bus high connection (in instrument panel wiring harness)
- (A179) Infotainment CAN bus low connection (in instrument panel wiring harness)
- (B397) Comfort system CAN bus high connection 1 (in main wiring harness)
- (B406) Comfort system CAN bus low connection 1 (in main wiring harness)

\* Only for vehicles with control module for special purpose vehicles  
 \*2 Only for vehicles with trailer setup

- ws = white
- sw = black
- ro = red
- rt = red
- br = brown
- gn = green
- bl = blue
- gr = grey
- li = lilac
- vi = lilac
- ge = yellow
- or = orange
- rs = pink



A/C control module, Driver door control module, Front passenger door control module, Left rear door control module, Right rear door control module, Multifunction steering wheel control module, Access/start authorization control module, Steering column electronics control module

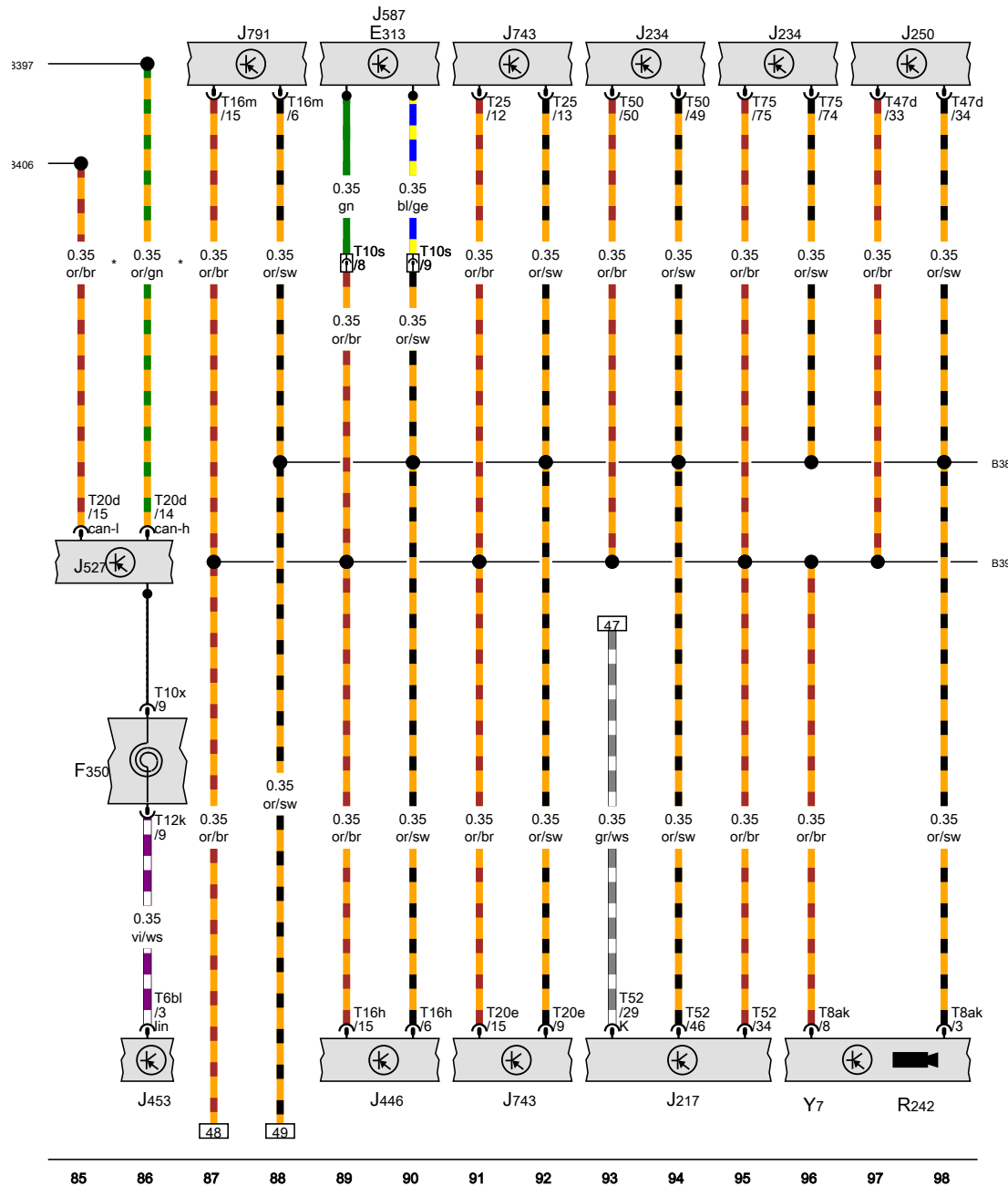
- F350 Spiral spring
- J301 A/C control module
- J386 Driver door control module, in the left rear side panel
- J387 Front passenger door control module
- J388 Left rear door control module
- J389 Right rear door control module
- J453 Multifunction steering wheel control module, in the steering wheel
- J518 Access/start authorization control module
- J527 Steering column electronics control module
- T5k 5-pin connector
- T12k 12-pin connector
- T16r 16-pin connector
- T18c 18-pin connector
- T18d 18-pin connector
- T20a 20-pin connector
- T20b 20-pin connector
- T20p 20-pin connector
- T28 28-pin connector, in the left A-pillar connector station
- T28a 28-pin connector, in the connector station, right A-pillar
- T28b 28-pin connector, behind the lower left B-pillar trim
- T28c 28-pin connector, behind the lower right B-pillar trim
- T32d 32-pin connector

(B397) Comfort system CAN bus high connection 1 (in main wiring harness)

(B406) Comfort system CAN bus low connection 1 (in main wiring harness)

\* from May 2010

- ws = white
- sw = black
- ro = red
- rt = red
- br = brown
- gn = green
- bl = blue
- gr = grey
- li = lilac
- vi = lilac
- ge = yellow
- or = orange
- rs = pink



Selector lever, Transmission control module, Airbag control module, Electronic damping control module, Parking aid control module, Multifunction steering wheel control module, Steering column electronics control module, Selector lever sensor system control module, DSG transmission Mechatronic, Parallel parking assistance control module, Driver assistance systems front camera, Automatic dimming interior rearview mirror

- E313 Selector lever
- F350 Spiral spring
- J217 Transmission control module
- J234 Airbag control module
- J250 Electronic damping control module
- J446 Parking aid control module
- J453 Multifunction steering wheel control module, in the steering wheel
- J527 Steering column electronics control module
- J587 Selector lever sensor system control module
- J743 DSG transmission Mechatronic
- J791 Parallel parking assistance control module
- R242 Driver assistance systems front camera
- T6bl 6-pin connector
- T8ak 8-pin connector
- T10s 10-pin connector, under the selector lever
- T10x 10-pin connector
- T12k 12-pin connector
- T16h 16-pin connector
- T16m 16-pin connector
- T20d 20-pin connector
- T20e 20-pin connector
- T25 25-pin connector
- T47d 47-pin connector
- T50 50-pin connector
- T52 52-pin connector
- T75 75-pin connector
- Y7 Automatic dimming interior rearview mirror

(B383) Powertrain CAN bus high connection 1 (in main wiring harness)

(B390) Powertrain CAN bus low connection 1 (in main wiring harness)

(B397) Comfort system CAN bus high connection 1 (in main wiring harness)

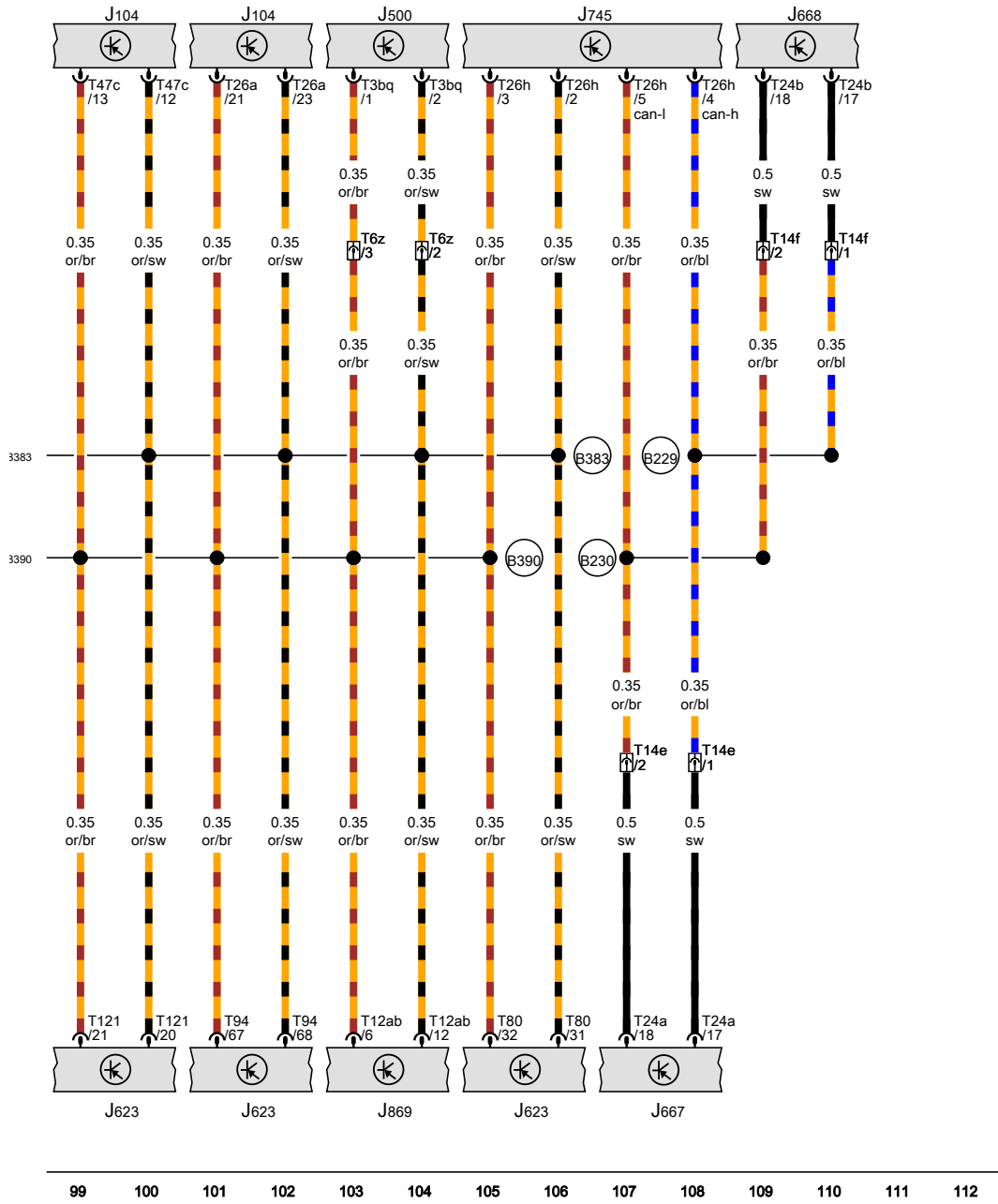
(B406) Comfort system CAN bus low connection 1 (in main wiring harness)

\* through April 2010

- ws = white
- sw = black
- ro = red
- rt = red
- br = brown
- gn = green
- bl = blue
- gr = grey
- li = lilac
- vi = lilac
- ge = yellow
- or = orange
- rs = pink

15K1-040080515





ABS control module, Power steering control module, Engine control module, Left headlamp power output module, Right headlamp power output module, Cornering lamp and headlamp range control module, Structure borne sound control module

- J104 ABS control module
- J500 Power steering control module
- J623 Engine control module
- J667 Left headlamp power output module
- J668 Right headlamp power output module
- J745 Cornering lamp and headlamp range control module
- J869 Structure borne sound control module
- T3bq 3-pin connector
- T6z 6-pin connector, near the left headlamp
- T12ab 12-pin connector
- T14e 14-pin connector, on the left headlamp
- T14f 14-pin connector, on the right headlamp
- T24a 24-pin connector
- T24b 24-pin connector
- T26a 26-pin connector
- T26h 26-pin connector
- T47c 47-pin connector
- T80 80-pin connector
- T94 94-pin connector
- T121 121-pin connector

- (B229) High bus connection (in interior wiring harness)
- (B230) Low bus connection (in interior wiring harness)
- (B383) Powertrain CAN bus high connection 1 (in main wiring harness)
- (B390) Powertrain CAN bus low connection 1 (in main wiring harness)

- ws = white
- sw = black
- ro = red
- rt = red
- br = brown
- gn = green
- bl = blue
- gr = grey
- li = lilac
- vi = lilac
- ge = yellow
- or = orange
- rs = pink

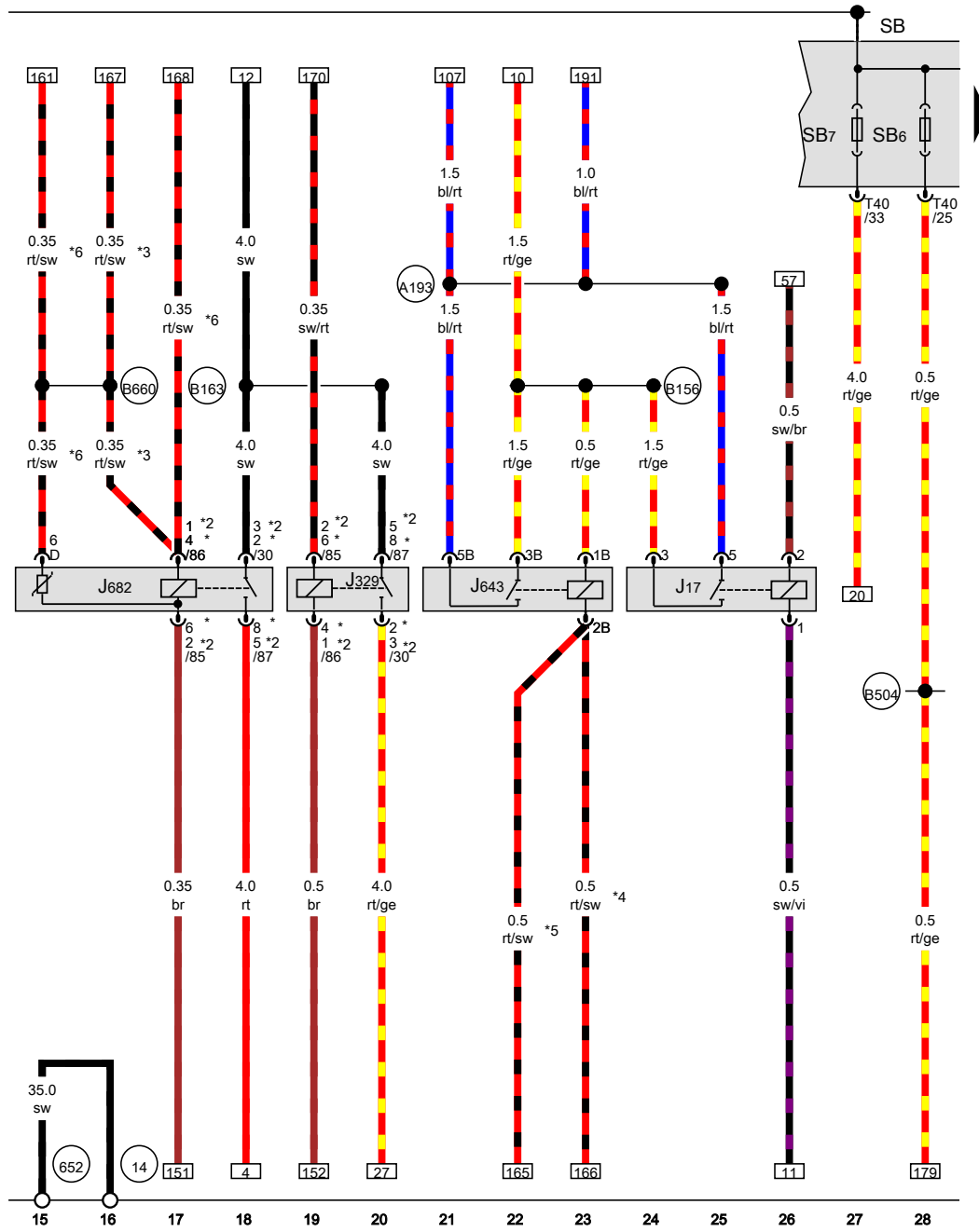
99 100 101 102 103 104 105 106 107 108 109 110 111 112

15K1-0400905151

2.5L gasoline engine , CBTA, CBUA  
from May 2009



508



Fuel pump relay, Terminal 15 power supply relay, Fuel primer relay, Terminal 50 power supply relay, Fuse panel B

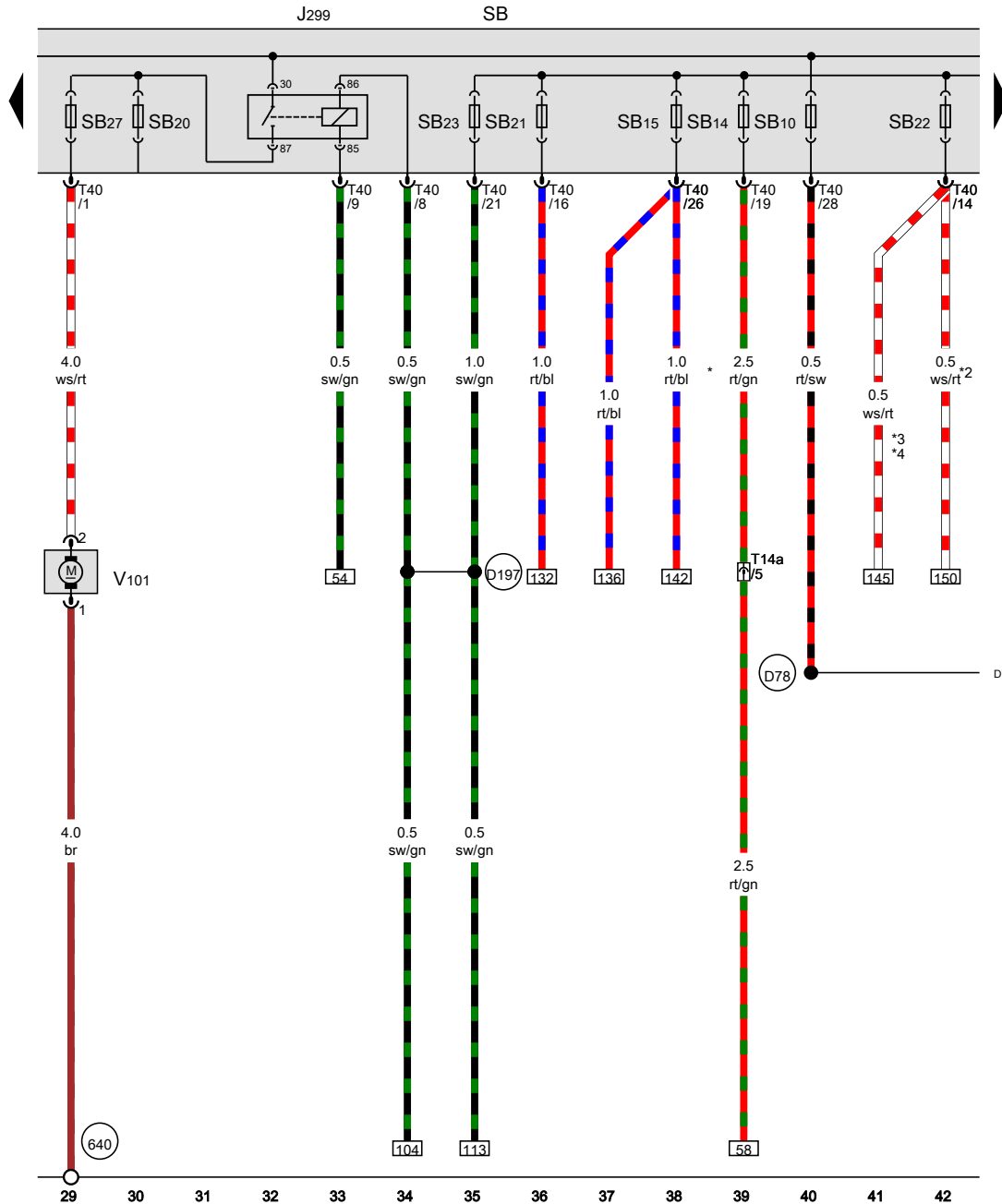
- J17 Fuel pump relay
- J329 Terminal 15 power supply relay
- J643 Fuel primer relay
- J682 Terminal 50 power supply relay
- SB Fuse panel B
- SB6 Fuse 6 (on fuse panel B)
- SB7 Fuse 7 (on fuse panel B)
- T40 40-pin connector

- 14 Ground connection on transmission
- 508 Terminal 30 threaded connection (on E-box)
- 652 Transmission/engine ground connection
- A193 Connection 87a (in instrument panel wiring harness)
- B156 Positive connection (30a) (in interior wiring harness)
- B163 Positive connection 1 (15) (in interior wiring harness)
- B504 Positive connection 8 (30a) (in interior wiring harness)
- B660 Diagnostic terminal 50 connection (in main wiring harness)

- \* Through October 2009
- \*2 from November 2009
- \*3 Only for vehicles without access/start authorization system
- \*4 from May 2010
- \*5 through April 2010
- \*6 only for vehicles with access/start authorization system

- ws = white
- sw = black
- ro = red
- rt = red
- br = brown
- gn = green
- bl = blue
- gr = grey
- li = lilac
- vi = lilac
- ge = yellow
- or = orange
- rs = pink

15K1-046030915



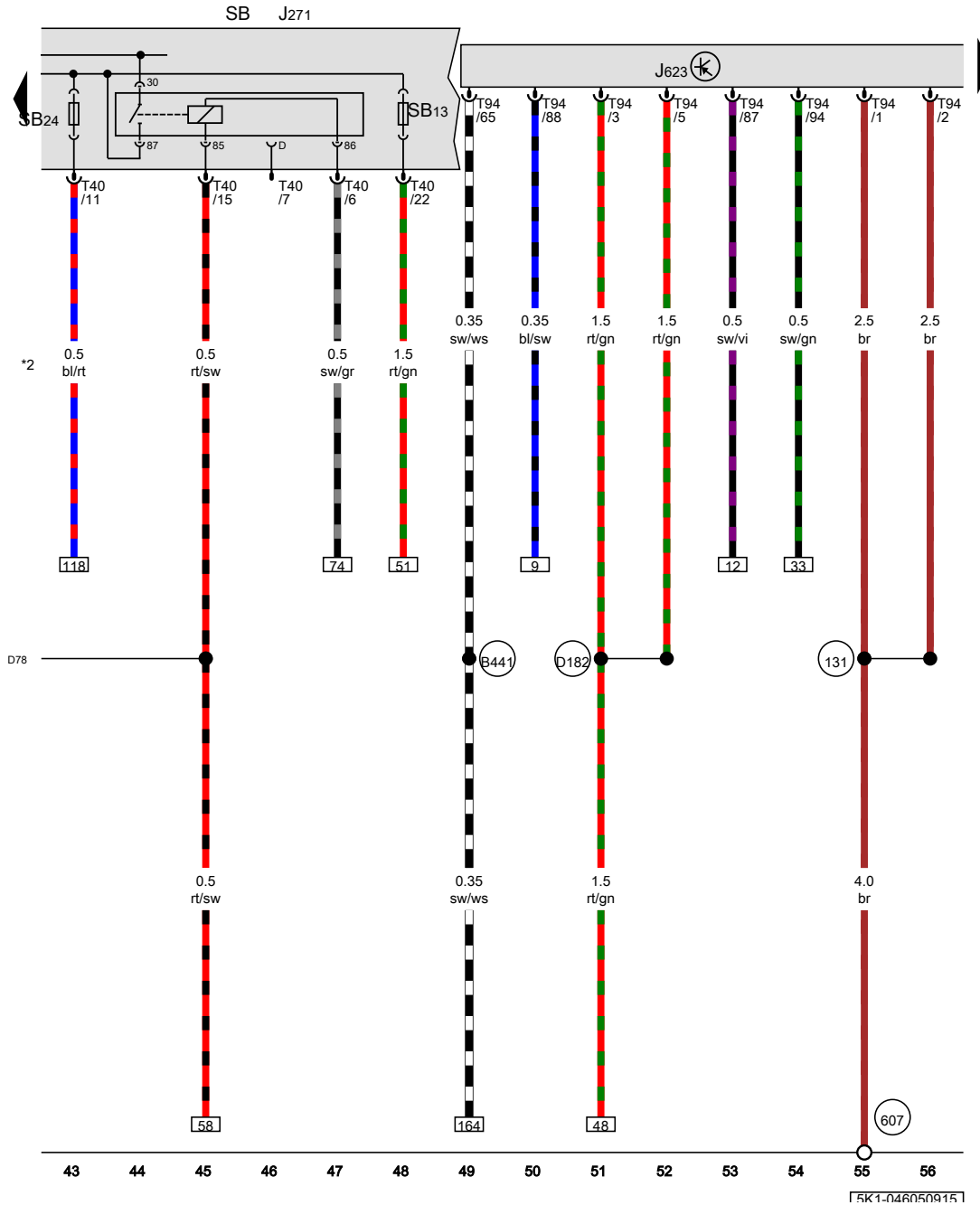
**Secondary air injection pump relay, Fuse panel B,  
Secondary air injection pump motor**

- J299 Secondary air injection pump relay
- SB Fuse panel B
- SB10 Fuse 10 (on fuse panel B)
- SB14 Fuse 14 (on fuse panel B)
- SB15 Fuse 15 (on fuse panel B)
- SB20 Fuse 20 (on fuse panel B)
- SB21 Fuse 21 (on fuse panel B)
- SB22 Fuse 22 (on fuse panel B)
- SB23 Fuse 23 (on fuse panel B)
- SB27 Fuse 27 (on fuse panel B)
- T14a 14-pin connector, near the battery
- T40 40-pin connector
- V101 Secondary air injection pump motor

- 640 Ground connection 2 in engine compartment, left
- D78 Positive connection 1 (30a) (in engine compartment wiring harness)
- D197 Connection 5 (87a) (in engine compartment wiring harness)
- \* Depending on equipment
- \*2 Only for vehicles with a manual transmission
- \*3 Only for vehicles with automatic transmission
- \*4 from November 2010

- ws = white
- sw = black
- ro = red
- rt = red
- br = brown
- gn = green
- bl = blue
- gr = grey
- li = lilac
- vi = lilac
- ge = yellow
- or = orange
- rs = pink

15K1-0460409151

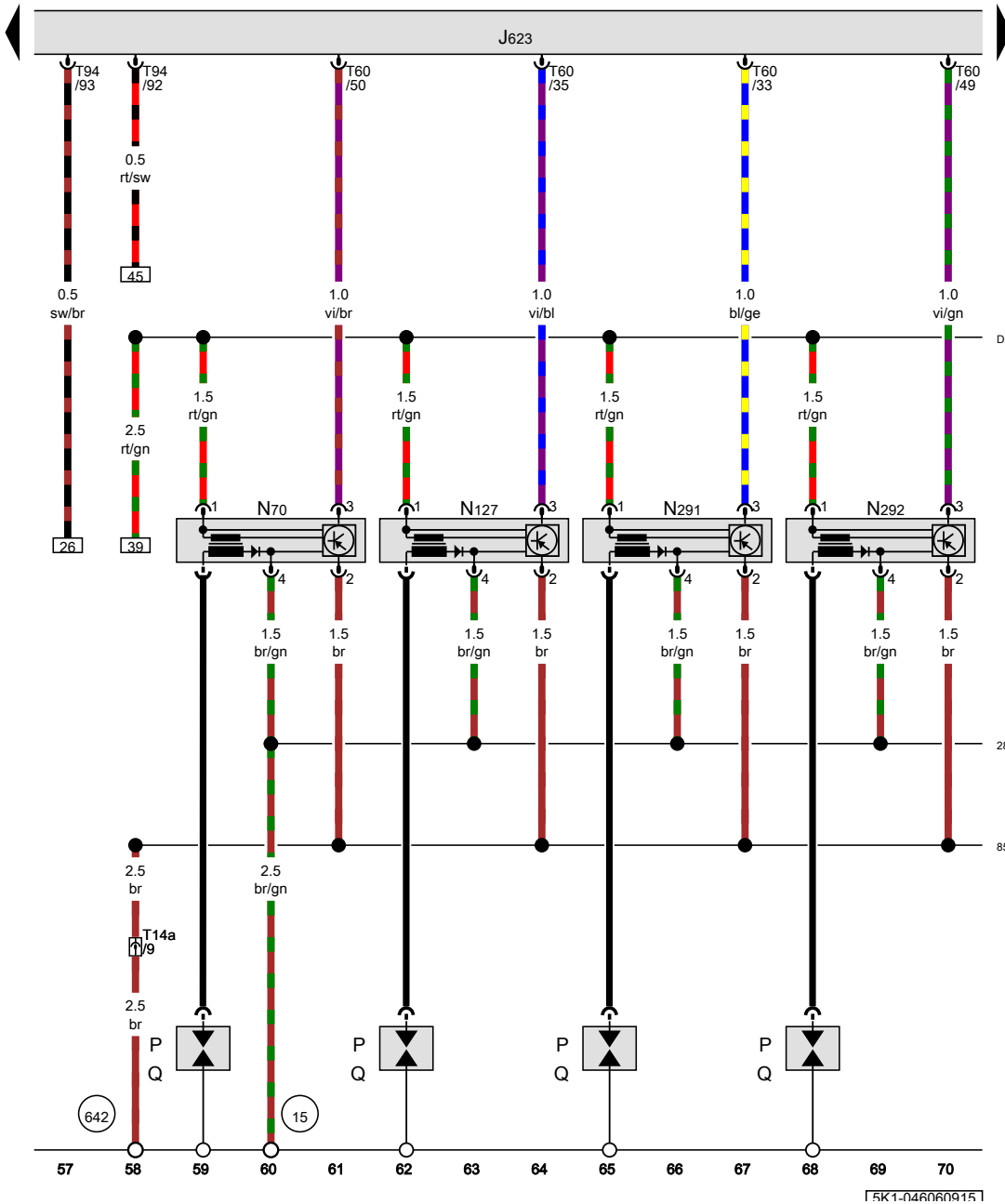


**Motronic engine control module power supply relay, Engine control module, Fuse panel B**

- J271 Motronic engine control module power supply relay
- J623 Engine control module, in the center plenum chamber
- SB Fuse panel B
- SB13 Fuse 13 (on fuse panel B)
- SB24 Fuse 24 (on fuse panel B)
- T40 40-pin connector
- T94 94-pin connector

- (131) Ground connection 2 (in engine compartment wiring harness)
- (607) Ground connection in plenum chamber, left
- (B441) Cruise control connection (in main wiring harness)
- (D78) Positive connection 1 (30a) (in engine compartment wiring harness)
- (D182) Connection 3 (87a) (in engine compartment wiring harness)

- ws = white
- sw = black
- ro = red
- rt = red
- br = brown
- gn = green
- bl = blue
- gr = grey
- li = lilac
- vi = lilac
- ge = yellow
- or = orange
- rs = pink



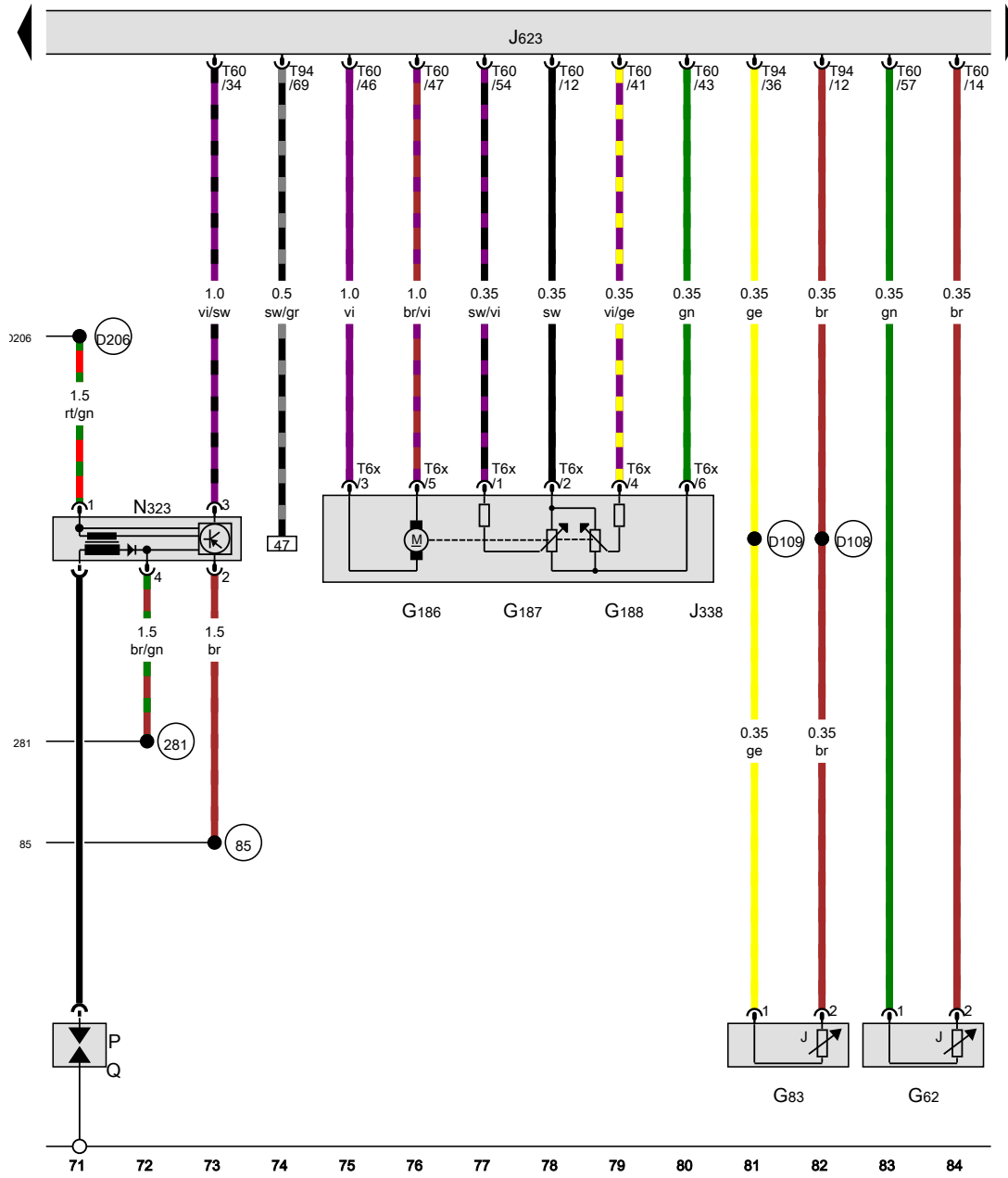
Engine control module, Ignition coil 1 with power output stage, Ignition coil 2 with power output stage, Ignition coil 3 with power output stage, Ignition coil 4 with power output stage, Spark plugs

- J623 Engine control module, in the center plenum chamber
- N70 Ignition coil 1 with power output stage
- N127 Ignition coil 2 with power output stage
- N291 Ignition coil 3 with power output stage
- N292 Ignition coil 4 with power output stage
- P Spark plug connectors
- Q Spark plugs
- T14a 14-pin connector, near the battery
- T60 60-pin connector
- T94 94-pin connector

- 15 Ground connection on cylinder head
- 85 Ground connection 1 (in engine compartment wiring harness)
- 281 Ground connection 1 (in engine pre-wiring harness)
- 642 Electronic fan control ground connection
- D206 Connection 87a (in engine pre-wiring harness) 4

- ws = white
- sw = black
- ro = red
- rt = red
- br = brown
- gn = green
- bl = blue
- gr = grey
- li = lilac
- vi = lilac
- ge = yellow
- or = orange
- rs = pink

15K1-046060915



Engine coolant temperature sensor, Engine coolant temperature sensor on radiator outlet, Throttle valve control module, Engine control module, Ignition coil 5 with power output stage

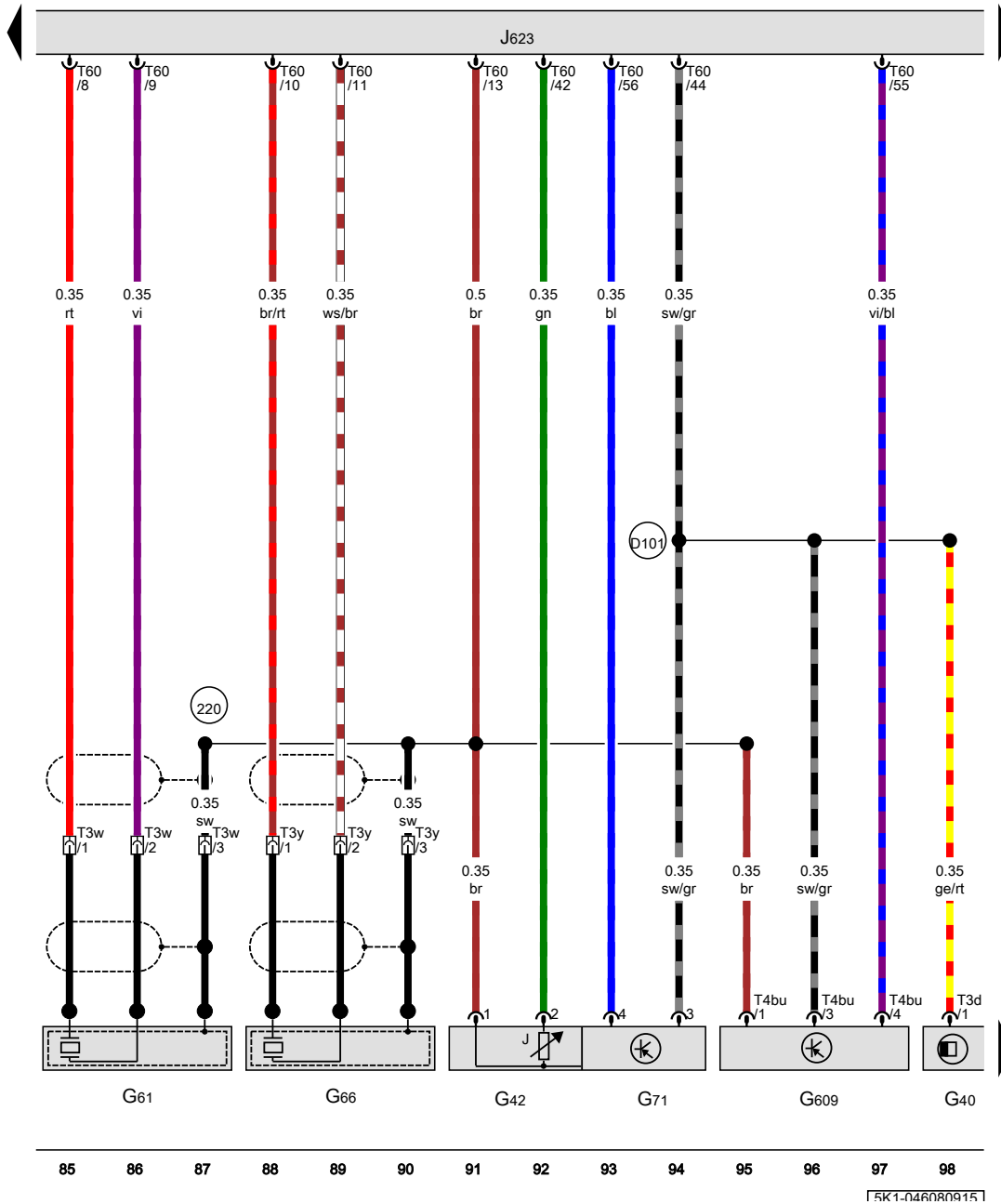
- G62 Engine coolant temperature sensor
- G83 Engine coolant temperature sensor on radiator outlet
- G186 EPC throttle drive
- G187 EPC throttle drive angle sensor 1
- G188 EPC throttle drive angle sensor 2
- J338 Throttle valve control module
- J623 Engine control module, in the center plenum chamber
- N323 Ignition coil 5 with power output stage
- P Spark plug connectors
- Q Spark plugs
- T6x 6-pin connector
- T60 60-pin connector
- T94 94-pin connector

- 85 Ground connection 1 (in engine compartment wiring harness)
- 281 Ground connection 1 (in engine pre-wiring harness)
- D108 Connection 6 (in engine compartment wiring harness)
- D109 Connection 7 (in engine compartment wiring harness)
- D206 Connection 87a (in engine pre-wiring harness) 4

- ws = white
- sw = black
- ro = red
- rt = red
- br = brown
- gn = green
- bl = blue
- gr = grey
- li = lilac
- vi = lilac
- ge = yellow
- or = orange
- rs = pink

15K1-0460709151





Camshaft position sensor, Intake air temperature sensor, Knock sensor 1, Knock sensor 2, Manifold absolute pressure sensor, Secondary air injection sensor 1, Engine control module

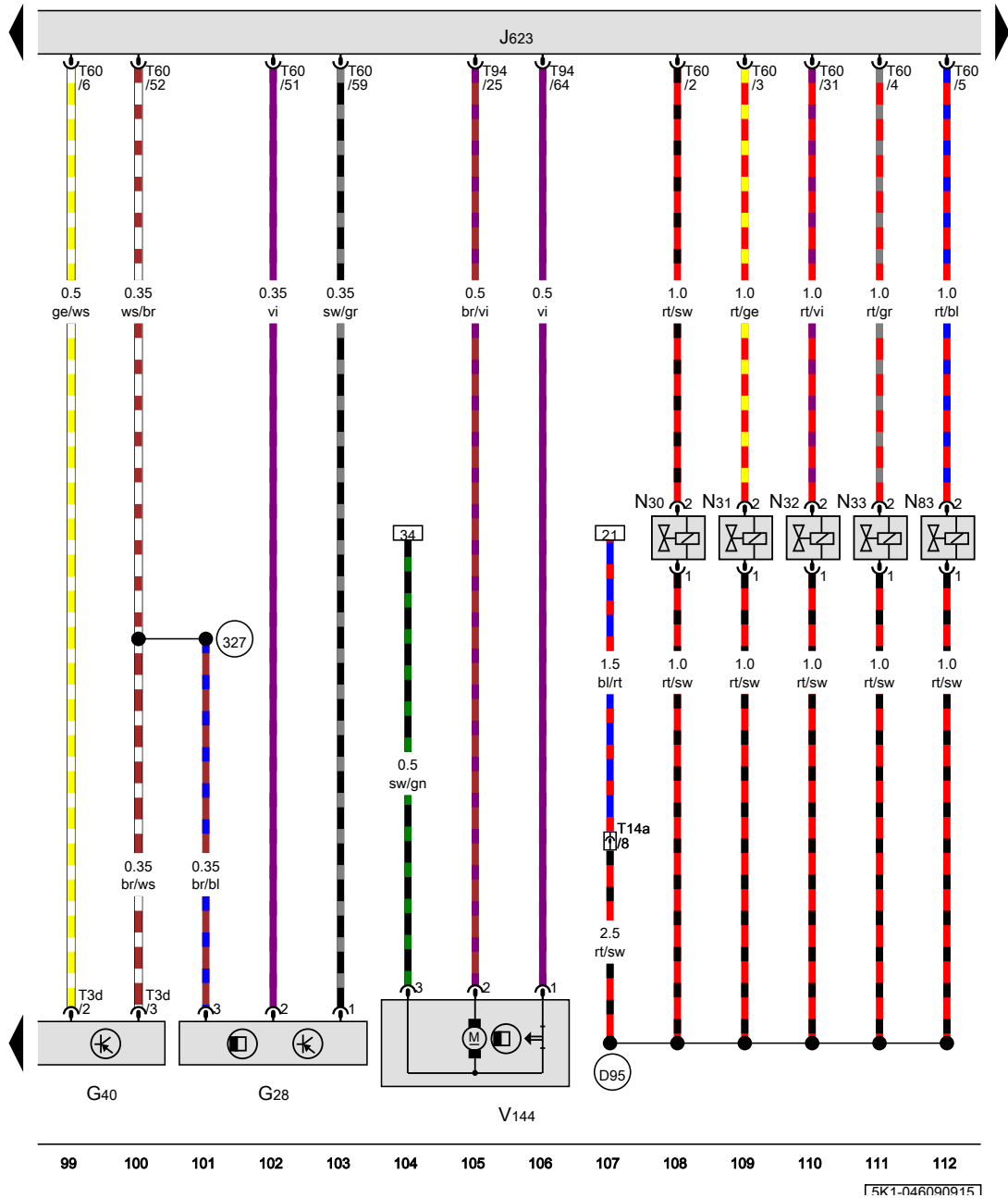
- G40 Camshaft position sensor
- G42 Intake air temperature sensor
- G61 Knock sensor 1
- G66 Knock sensor 2
- G71 Manifold absolute pressure sensor
- G609 Secondary air injection sensor 1
- J623 Engine control module, in the center plenum chamber
- T3d 3-pin connector
- T3w 3-pin connector, on the engine, front
- T3y 3-pin connector, on the engine, front
- T4bu 4-pin connector
- T60 60-pin connector

- (220) Sensor ground connection (in engine wiring harness)
- (D101) Connection 1 (in engine compartment wiring harness)

- ws = white
- sw = black
- ro = red
- rt = red
- br = brown
- gn = green
- bl = blue
- gr = grey
- li = lilac
- vi = lilac
- ge = yellow
- or = orange
- rs = pink

15K1-046080915

Engine speed sensor, Camshaft position sensor, Engine control module, Cylinder 1 fuel injector, Cylinder 2 fuel injector, Cylinder 3 fuel injector, Cylinder 4 fuel injector, Cylinder 5 fuel injector, Leak detection pump

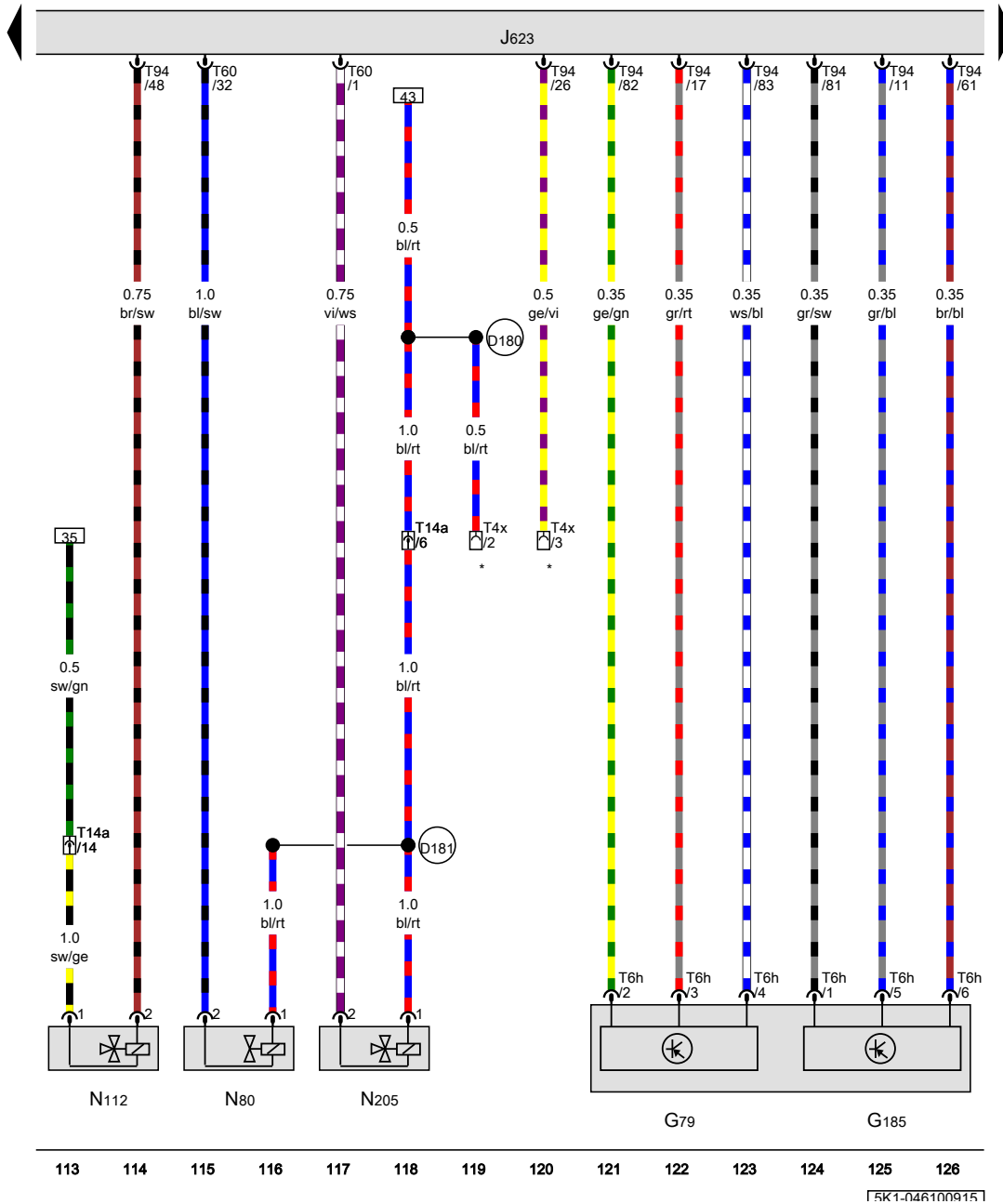


- G28 Engine speed sensor
- G40 Camshaft position sensor
- J623 Engine control module, in the center plenum chamber
- N30 Cylinder 1 fuel injector
- N31 Cylinder 2 fuel injector
- N32 Cylinder 3 fuel injector
- N33 Cylinder 4 fuel injector
- N83 Cylinder 5 fuel injector
- T3d 3-pin connector
- T14a 14-pin connector, near the battery
- T60 60-pin connector
- T94 94-pin connector
- V144 Leak detection pump

- (327) Sensor ground connection (in engine compartment wiring harness)
- (D95) Injector connection (in engine compartment wiring harness)

- ws = white
- sw = black
- ro = red
- rt = red
- br = brown
- gn = green
- bl = blue
- gr = grey
- li = lilac
- vi = lilac
- ge = yellow
- or = orange
- rs = pink

15K1-0460909151



Accelerator pedal position sensor, Accelerator pedal position sensor 2, Engine control module, EVAP canister purge regulator valve 1, Secondary air injection solenoid valve, Camshaft adjustment valve 1

- G79 Accelerator pedal position sensor
- G185 Accelerator pedal position sensor 2
- J623 Engine control module, in the center plenum chamber
- N80 EVAP canister purge regulator valve 1
- N112 Secondary air injection solenoid valve
- N205 Camshaft adjustment valve 1
- T4x 4-pin connector, on the lower left coolant fan
- T6h 6-pin connector
- T14a 14-pin connector, near the battery
- T60 60-pin connector
- T94 94-pin connector

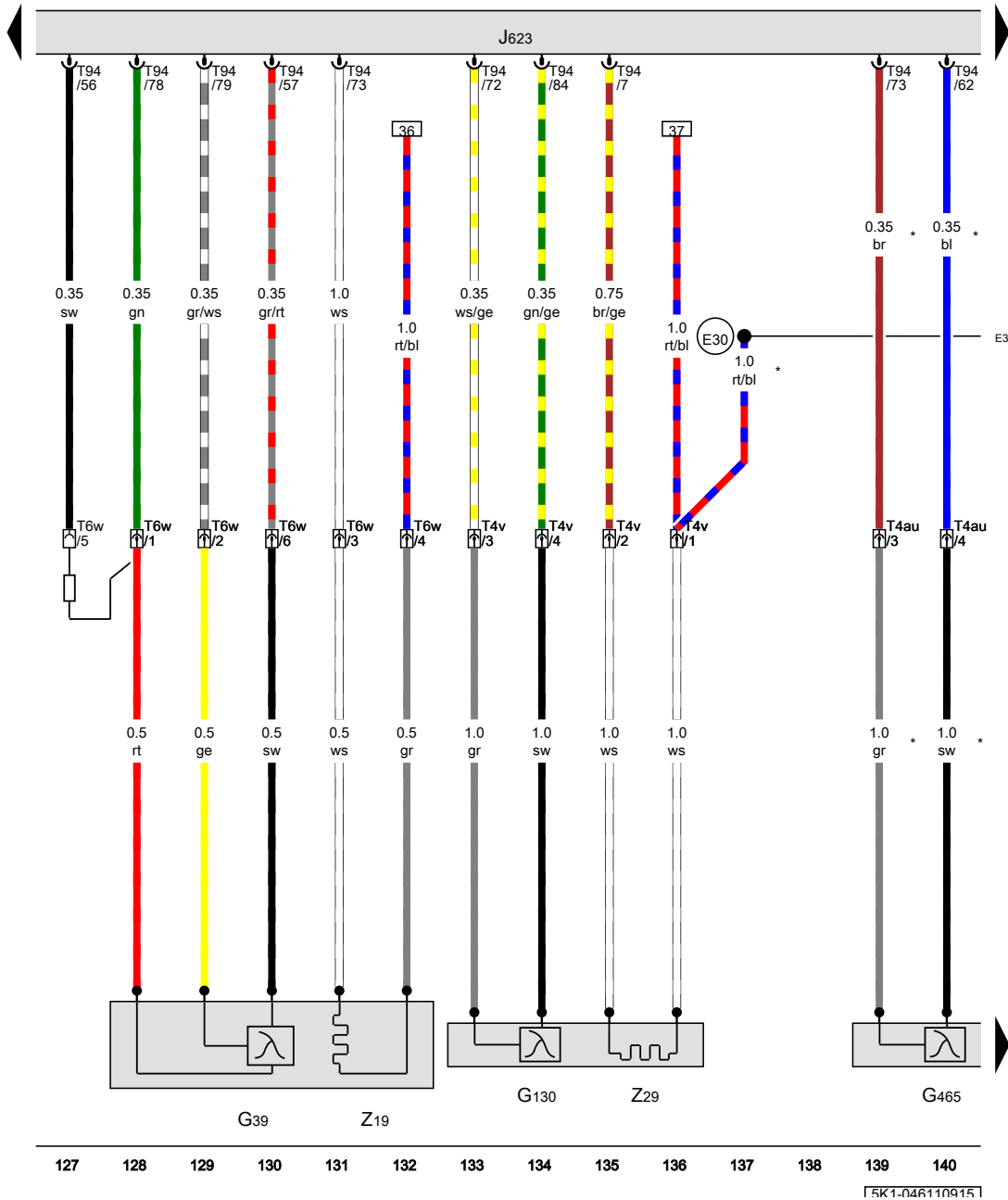
D180 Connection 87a (in engine compartment wiring harness)

D181 Connection 2 (87a) (in engine compartment wiring harness)

\* Radiator fan connection

- ws = white
- sw = black
- ro = red
- rt = red
- br = brown
- gn = green
- bl = blue
- gr = grey
- li = lilac
- vi = lilac
- ge = yellow
- or = orange
- rs = pink

Heated oxygen sensor, Oxygen sensor after catalytic converter, Center oxygen sensor for bank 1 catalytic converter, Engine control module

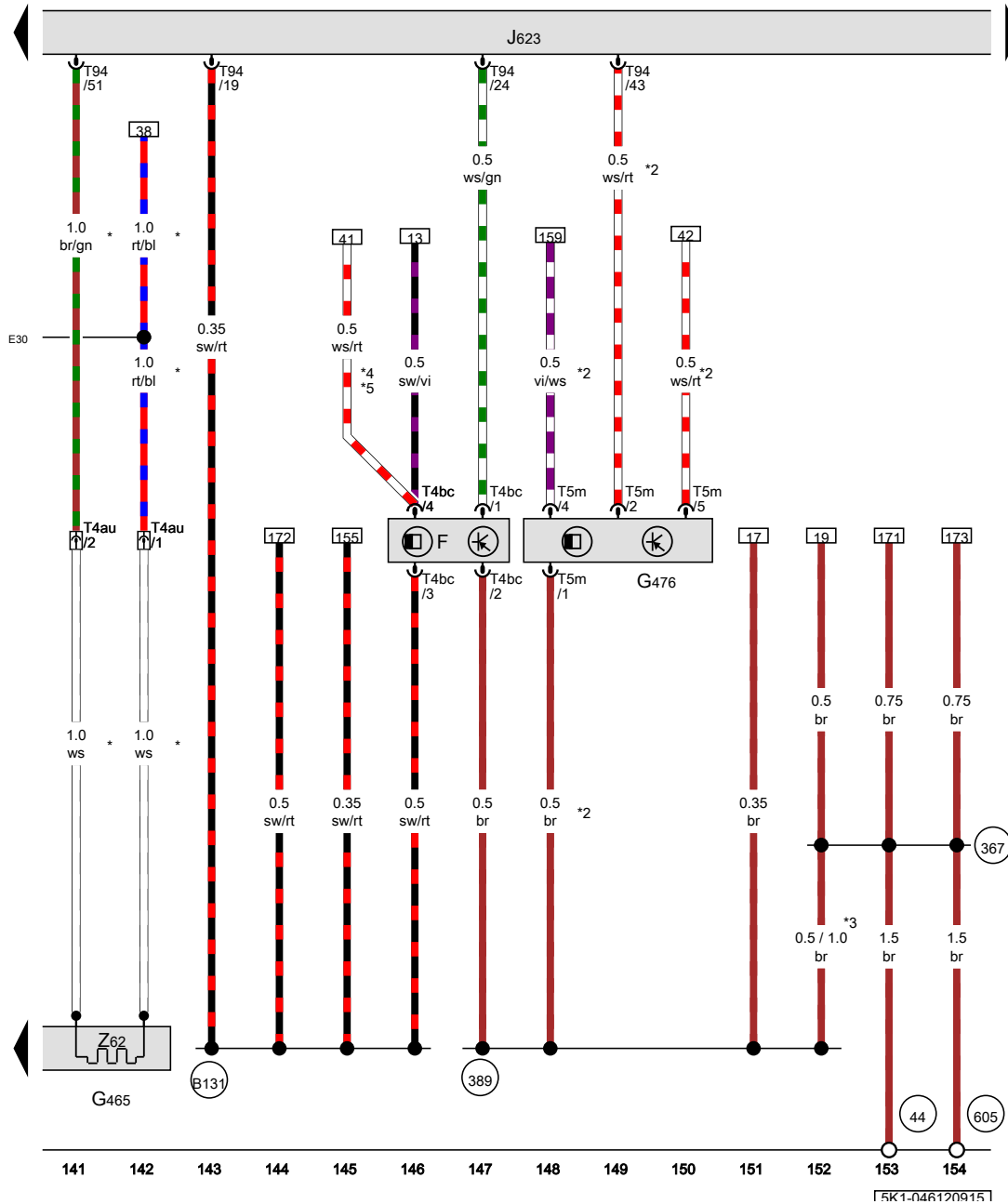


- G39 Heated oxygen sensor
- G130 Oxygen sensor after catalytic converter
- G465 Center oxygen sensor for bank 1 catalytic converter
- J623 Engine control module, in the center plenum chamber
- T4au 4-pin connector, near the oxygen sensor
- T4v 4-pin connector, in the engine compartment, front
- T6w 6-pin connector, in the engine compartment, rear
- T94 94-pin connector
- Z19 Oxygen sensor heater
- Z29 Heater for oxygen sensor 1 after catalytic converter

E30 Connection 87a (in engine wiring harness)

\* Depending on equipment

- ws = white
- sw = black
- ro = red
- rt = red
- br = brown
- gn = green
- bl = blue
- gr = grey
- li = lilac
- vi = lilac
- ge = yellow
- or = orange
- rs = pink



**Brake lamp switch, Center oxygen sensor for bank 1 catalytic converter, Clutch position sensor, Engine control module**

- F Brake lamp switch
- G465 Center oxygen sensor for bank 1 catalytic converter
- G476 Clutch position sensor
- J623 Engine control module, in the center plenum chamber
- T4au 4-pin connector, near the oxygen sensor
- T4bc 4-pin connector
- T5m 5-pin connector
- T94 94-pin connector
- Z62 Oxygen sensor 3 heater

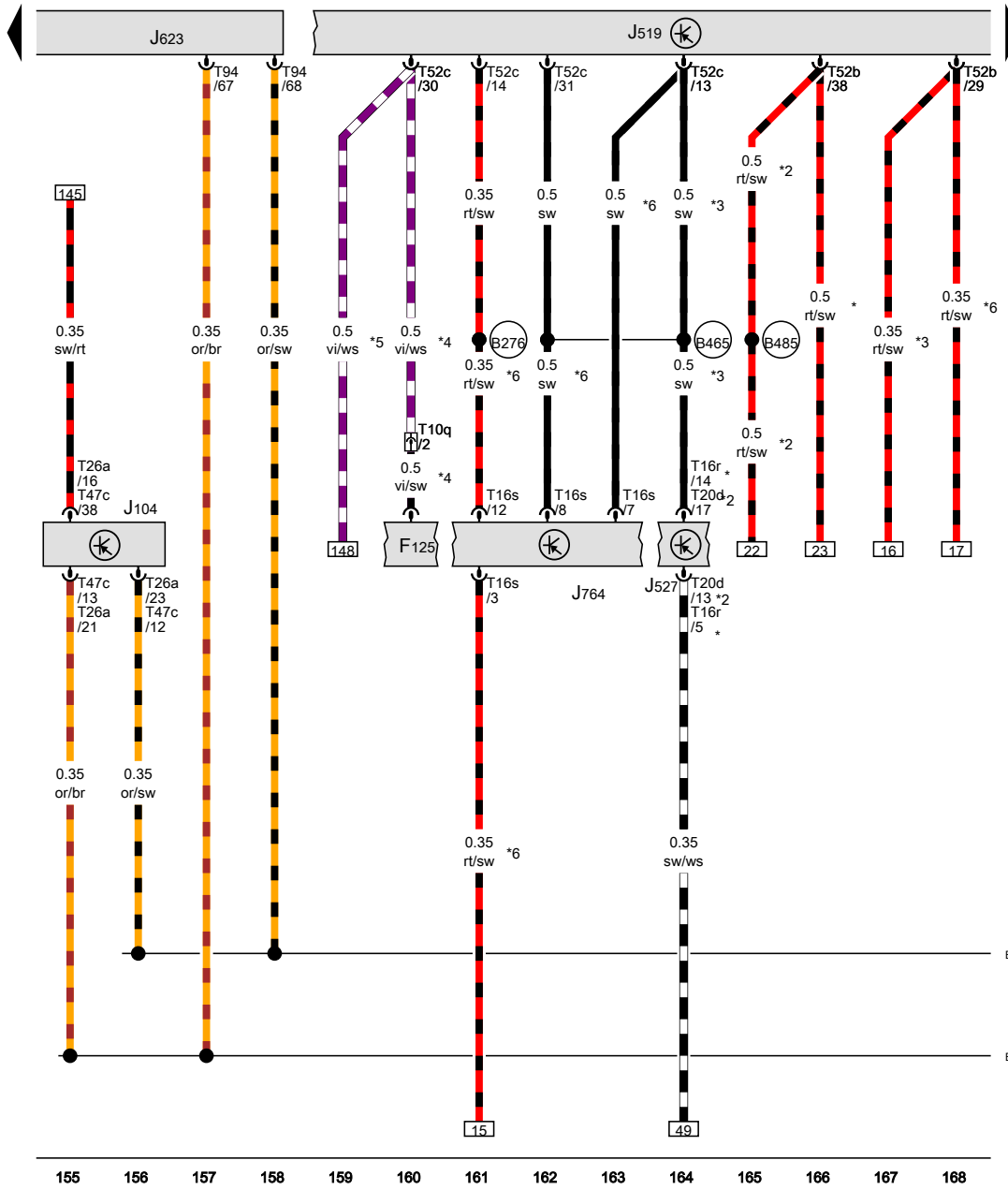
- (44) Ground connection on A-pillar, lower left
- (367) Ground connection 2 (in main wiring harness)
- (389) Ground connection 24 (in main wiring harness)
- (605) Ground connection on upper steering column
- (B131) Connection 54 (in interior wiring harness)
- (E30) Connection 87a (in engine wiring harness)

- \* Depending on equipment
- \*2 Only for vehicles with a manual transmission from May 2011
- \*3 Only for vehicles with automatic transmission from November 2010
- \*4
- \*5

- ws = white
- sw = black
- ro = red
- rt = red
- br = brown
- gn = green
- bl = blue
- gr = grey
- li = lilac
- vi = lilac
- ge = yellow
- or = orange
- rs = pink

15K1-0461209151

Vehicle electrical control module system, Engine control module



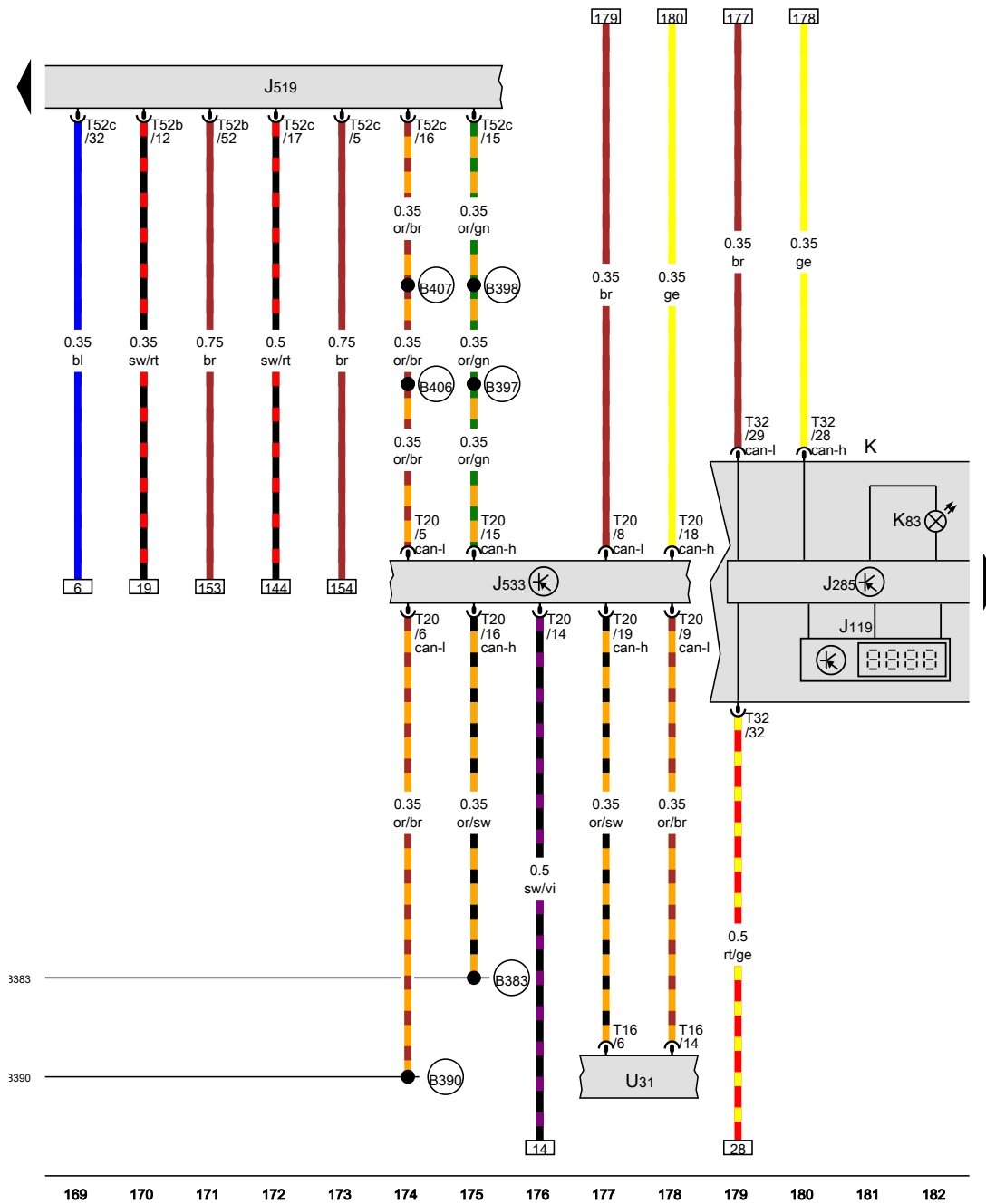
- F125 Multifunction transmission range switch
- J104 ABS control module
- J519 Vehicle electrical control module system
- J527 Steering column electronics control module
- J623 Engine control module, in the center plenum chamber
- J764 Electronic steering column lock control module
- T10q 10-pin connector, on the transmission
- T16r 16-pin connector
- T16s 16-pin connector
- T20d 20-pin connector
- T26a 26-pin connector
- T47c 47-pin connector
- T52b 52-pin connector
- T52c 52-pin connector
- T94 94-pin connector

- (B276) Positive connection (50) (in main wiring harness)
- (B383) Powertrain CAN bus high connection 1 (in main wiring harness)
- (B390) Powertrain CAN bus low connection 1 (in main wiring harness)
- (B465) Connection 1 (in main wiring harness)
- (B485) Connection 21 (in main wiring harness)

- \* from May 2010
- \*2 through April 2010
- \*3 Only for vehicles without access/start authorization system
- \*4 Only for vehicles with automatic transmission
- \*5 Only for vehicles with a manual transmission
- \*6 only for vehicles with access/start authorization system

- ws = white
- sw = black
- ro = red
- rt = red
- br = brown
- gn = green
- bl = blue
- gr = grey
- li = lilac
- vi = lilac
- ge = yellow
- or = orange
- rs = pink

15K1-04R130915



**Multifunction indicator, Instrument cluster control module, Vehicle electrical control module system, Data bus on board diagnostic interface**

- J119 Multifunction indicator
- J285 Instrument cluster control module
- J519 Vehicle electrical control module system
- J533 Data bus on board diagnostic interface, in the left footwell, near the center console
- K Instrument cluster
- K83 Malfunction indicator lamp
- T16 16-pin connector
- T20 20-pin connector
- T32 32-pin connector
- T52b 52-pin connector
- T52c 52-pin connector
- U31 Diagnostic connection

- (B383) Powertrain CAN bus high connection 1 (in main wiring harness)
- (B390) Powertrain CAN bus low connection 1 (in main wiring harness)
- (B397) Comfort system CAN bus high connection 1 (in main wiring harness)
- (B398) Comfort system CAN bus high connection 2 (in main wiring harness)
- (B406) Comfort system CAN bus low connection 1 (in main wiring harness)
- (B407) Comfort system CAN bus low connection 2 (in main wiring harness)

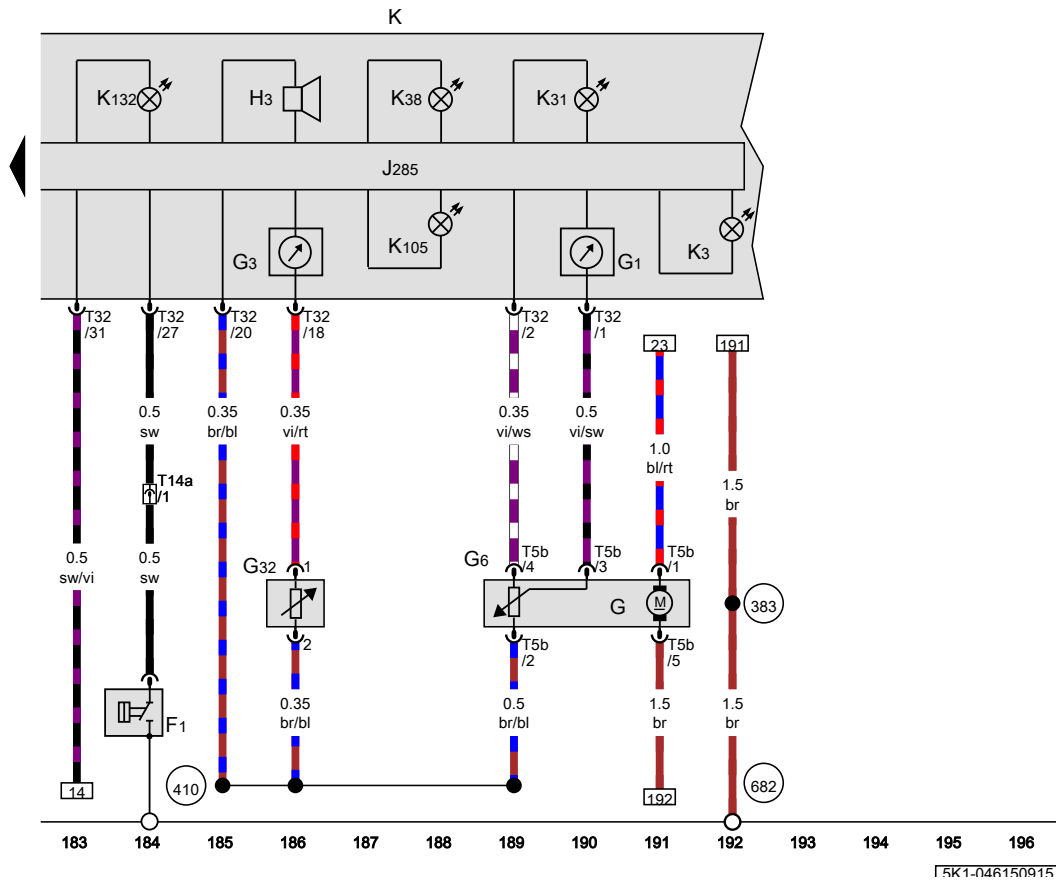
- ws = white
- sw = black
- ro = red
- rt = red
- br = brown
- gn = green
- bl = blue
- gr = grey
- li = lilac
- vi = lilac
- ge = yellow
- or = orange
- rs = pink

15K1-04R1409151

Oil pressure switch, Fuel level sensor, Fuel gauge, Engine coolant temperature gauge, Transfer fuel pump, Engine coolant level sensor, Instrument cluster control module

- F1 Oil pressure switch
- G Fuel level sensor
- G1 Fuel gauge
- G3 Engine coolant temperature gauge
- G6 Transfer fuel pump
- G32 Engine coolant level sensor
- H3 Warning buzzer and tone
- J285 Instrument cluster control module
- K Instrument cluster
- K3 Oil pressure indicator lamp
- K31 Cruise control indicator lamp
- K38 Oil level indicator lamp
- K105 Low fuel level indicator lamp
- K132 Electronic power control malfunction indicator lamp
- T5b 5-pin connector
- T14a 14-pin connector, near the battery
- T32 32-pin connector

- 383 Ground connection 18 (in main wiring harness)
- 410 Sensor ground connection 1 (in main wiring harness)
- 682 Ground connection 2 in right rear side panel



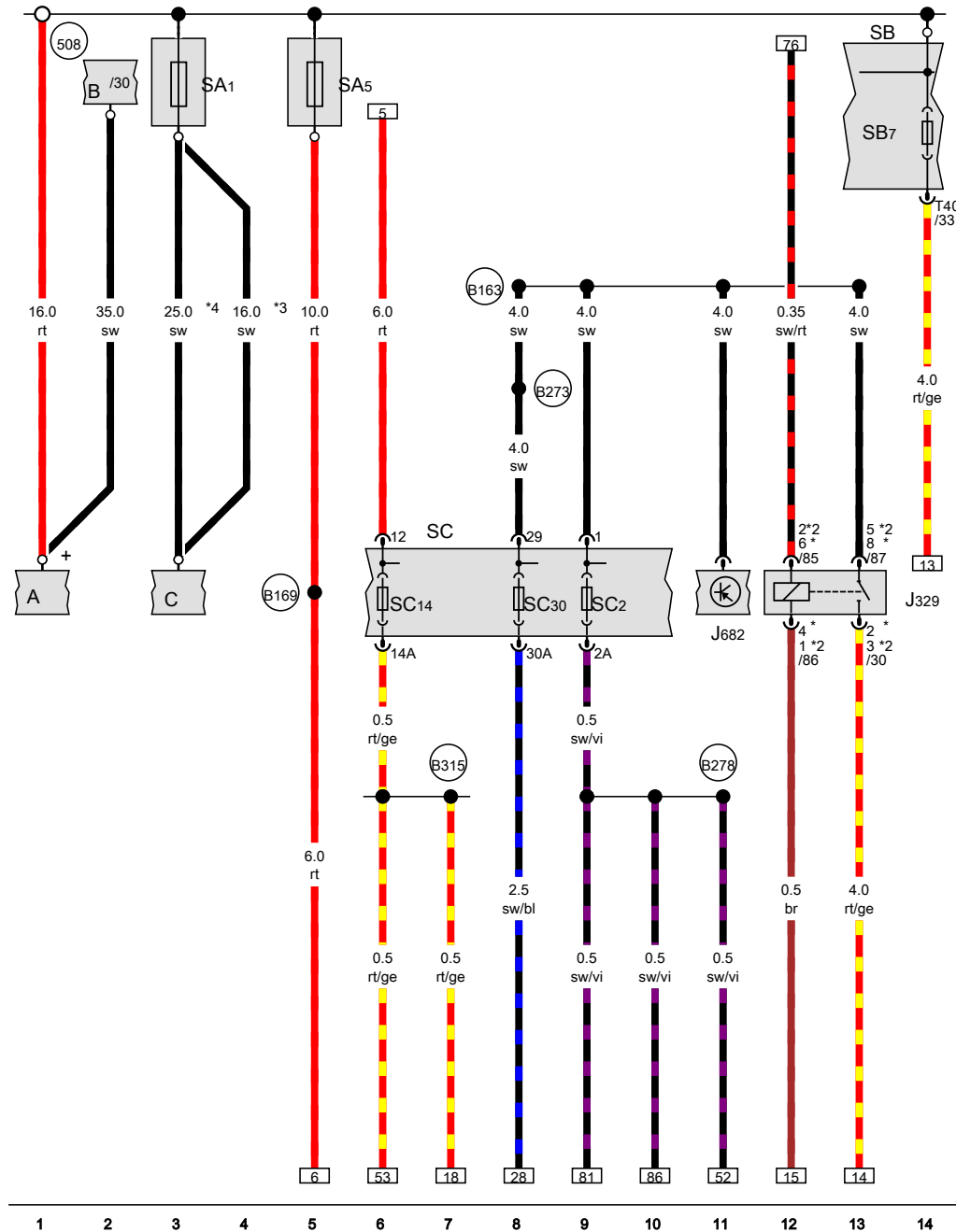
- ws = white
- sw = black
- ro = red
- rt = red
- br = brown
- gn = green
- bl = blue
- gr = grey
- li = lilac
- vi = lilac
- ge = yellow
- or = orange
- rs = pink

15K1-046150915



**Automatic transmission 6-speed , (0ER)**

from May 2009



Terminal 15 power supply relay, Fuse 1 (on fuse panel A), Fuse 2 (on fuse panel C), Fuse 5 (on fuse panel A), Fuse 7 (on fuse panel B), Fuse 14 (on fuse panel C), Fuse 30 (on fuse panel C)

- A Battery
- B Starter
- C Generator
- J329 Terminal 15 power supply relay
- J682 Terminal 50 power supply relay
- SA1 Fuse 1 (on fuse panel A)
- SC2 Fuse 2 (on fuse panel C)
- SA5 Fuse 5 (on fuse panel A)
- SB Fuse panel B
- SB7 Fuse 7 (on fuse panel B)
- SC Fuse panel C
- SC14 Fuse 14 (on fuse panel C)
- SC30 Fuse 30 (on fuse panel C)
- T40 40-pin connector

- (508) Terminal 30 threaded connection (on E-box)
- (B163) Positive connection 1 (15) (in interior wiring harness)
- (B169) Positive connection 1 (30) (in interior wiring harness)
- (B273) Positive connection (15) (in main wiring harness)
- (B278) Positive connection 2 (15a) (in main wiring harness)
- (B315) Positive connection 1 (30a) (in main wiring harness)

- \* Through October 2009
- \*2 from November 2009
- \*3 Only for vehicles with 90 A/120 A generator
- \*4 Only for vehicles with a generator (140 A)

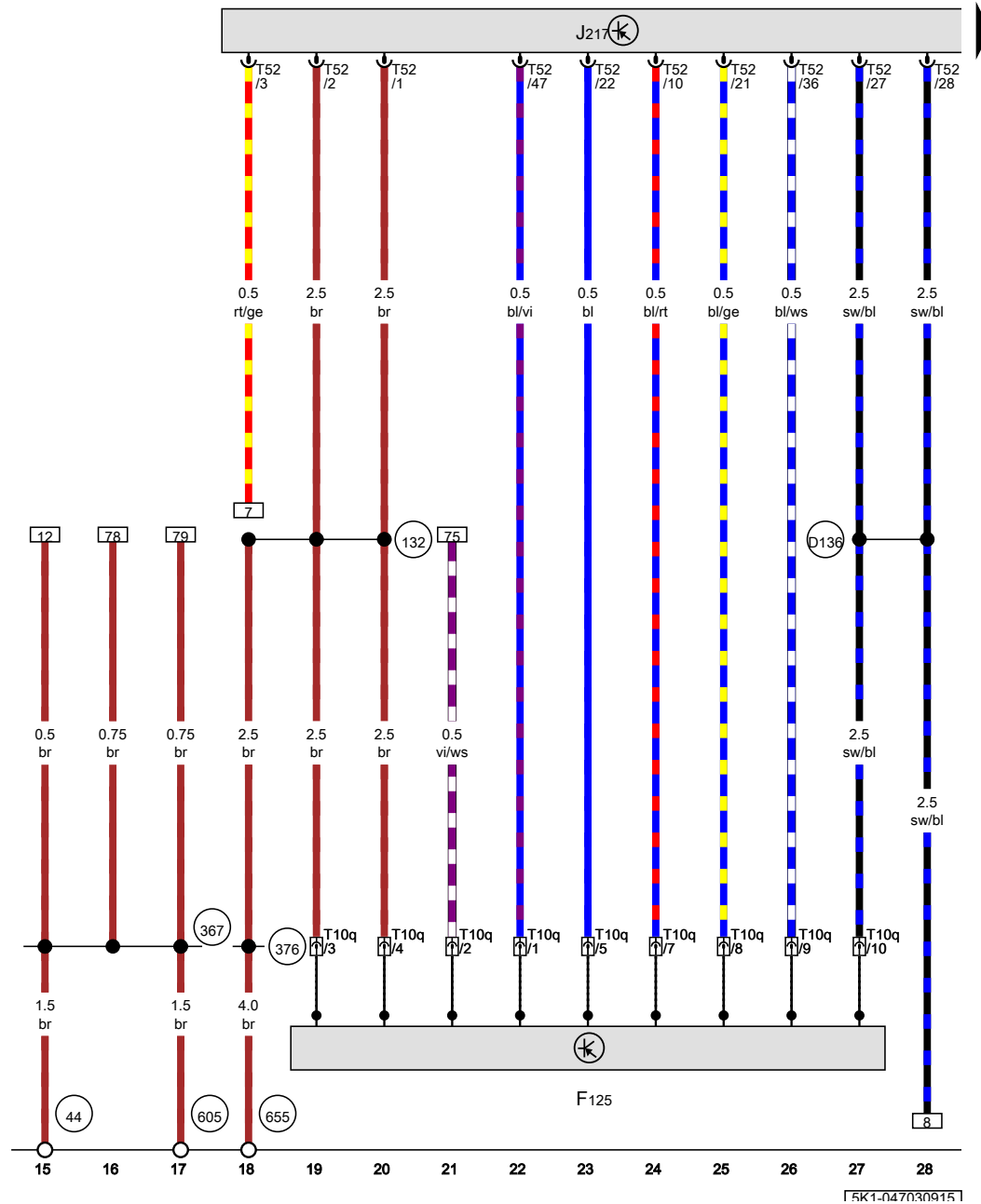
- ws = white
- sw = black
- ro = red
- rt = red
- br = brown
- gn = green
- bl = blue
- gr = grey
- li = lilac
- vi = lilac
- ge = yellow
- or = orange
- rs = pink

15K1-047020915

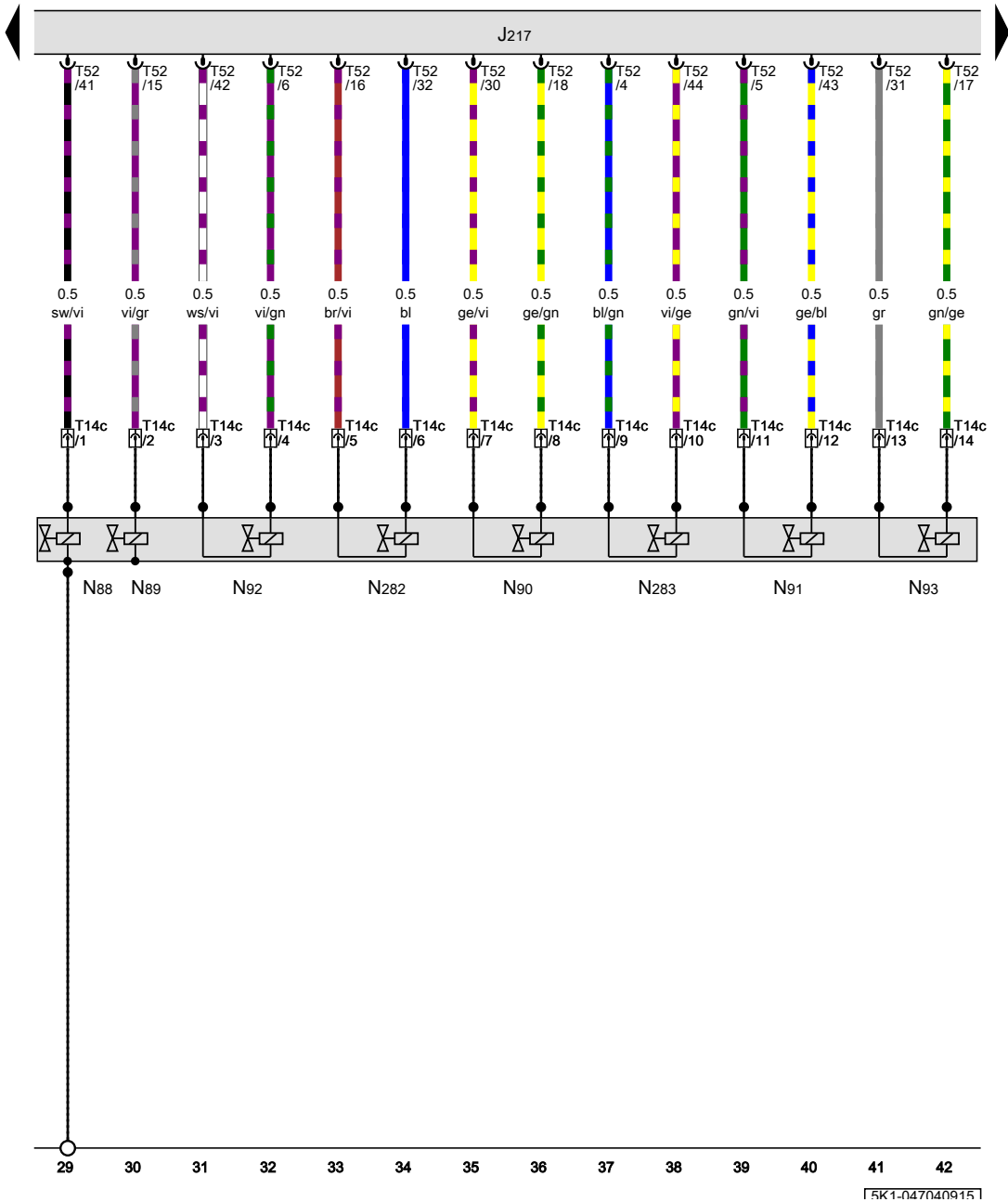
Transmission control module

- F125 Multifunction transmission range switch
- J217 Transmission control module, under the left front wheel housing cover
- T10q 10-pin connector, on the transmission
- T52 52-pin connector

- 44 Ground connection on A-pillar, lower left
- 132 Ground connection 3 (in engine compartment wiring harness)
- 367 Ground connection 2 (in main wiring harness)
- 376 Ground connection 11 (in main wiring harness)
- 605 Ground connection on upper steering column
- 655 Ground connection on left headlamp
- D136 Positive connection 2 (15a) (in engine compartment wiring harness)

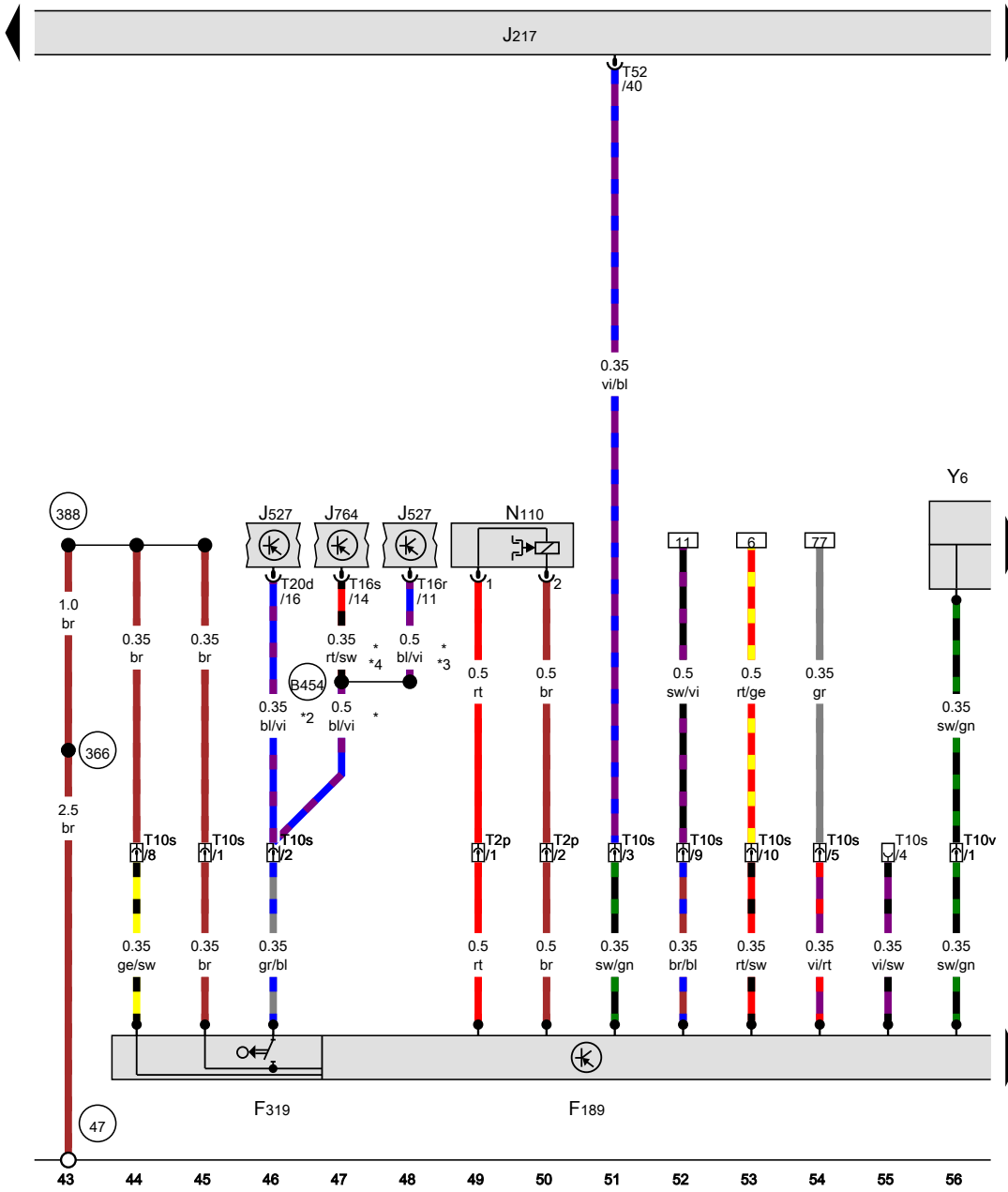


15K1-047030915



Transmission control module, Solenoid valve 1, Solenoid valve 2, Solenoid valve 3, Solenoid valve 4, Solenoid valve 5, Solenoid valve 6, Solenoid valve 9, Solenoid valve 10

- J217 Transmission control module, under the left front wheel housing cover
- N88 Solenoid valve 1
- N89 Solenoid valve 2
- N90 Solenoid valve 3
- N91 Solenoid valve 4
- N92 Solenoid valve 5
- N93 Solenoid valve 6
- N282 Solenoid valve 9
- N283 Solenoid valve 10
- T14c 14-pin connector, on the transmission
- T52 52-pin connector



tiptronic switch, Selector lever park position lock switch, Transmission control module, Shift lock solenoid, Transmission range display

- F189 tiptronic switch
- F319 Selector lever park position lock switch
- J217 Transmission control module, under the left front wheel housing cover
- J527 Steering column electronics control module
- J764 Electronic steering column lock control module
- N110 Shift lock solenoid
- T2p 2-pin connector, under the selector lever
- T10s 10-pin connector, under the selector lever
- T10v 10-pin connector, under the selector lever
- T16r 16-pin connector
- T16s 16-pin connector
- T20d 20-pin connector
- T52 52-pin connector
- Y6 Transmission range display

- 47 Ground connection in right front footwell
- 366 Ground connection 1 (in main wiring harness)
- 388 Ground connection 23 (in main wiring harness)
- B454 Shift lock connection (in main wiring harness)

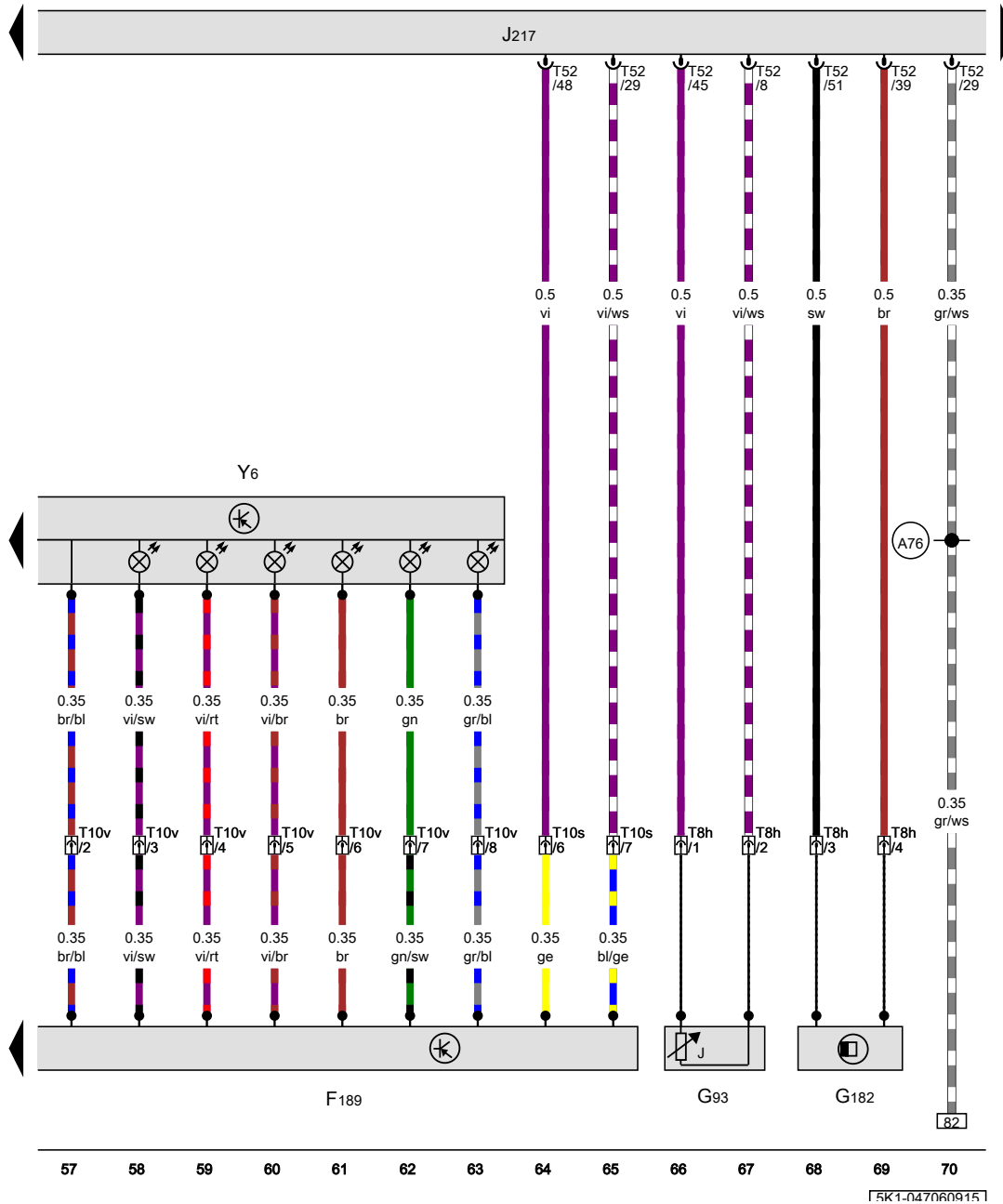
- \* from May 2010
- \*2 through April 2010
- \*3 Only for vehicles without access/start authorization system
- \*4 only for vehicles with access/start authorization system

- ws = white
- sw = black
- ro = red
- rt = red
- br = brown
- gn = green
- bl = blue
- gr = grey
- li = lilac
- vi = lilac
- ge = yellow
- or = orange
- rs = pink

15K1-047050915

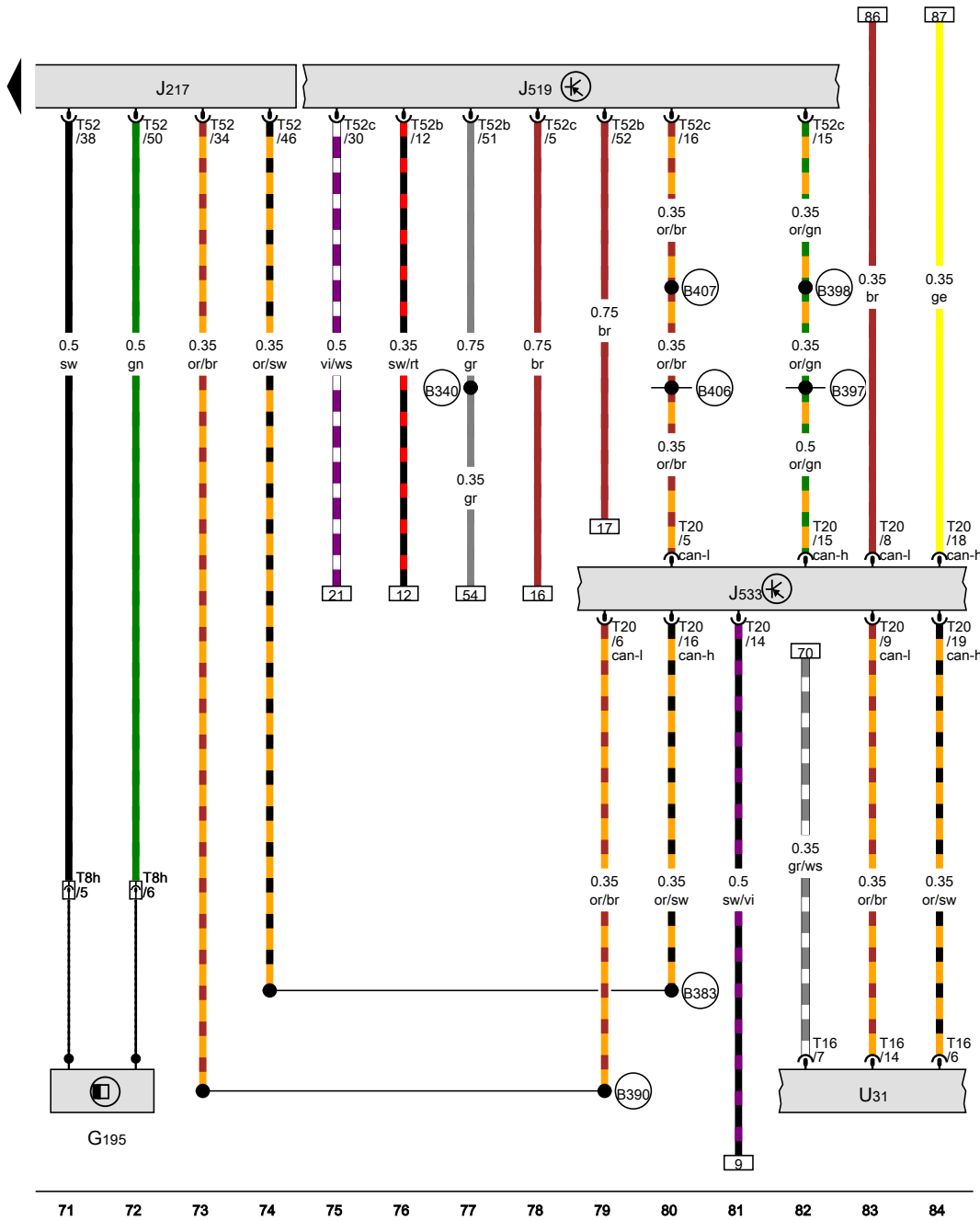
tiptronic switch, Transmission fluid temperature sensor, Transmission input speed sensor, Transmission control module, Transmission range display

- F189 tiptronic switch
- G93 Transmission fluid temperature sensor
- G182 Transmission input speed sensor
- J217 Transmission control module, under the left front wheel housing cover
- T8h 8-pin connector, Transmission prewiring
- T10s 10-pin connector, under the selector lever
- T10v 10-pin connector, under the selector lever
- T52 52-pin connector
- Y6 Transmission range display
- A76 KS-diagnostic lead connection (in instrument panel wiring harness)



- ws = white
- sw = black
- ro = red
- rt = red
- br = brown
- gn = green
- bl = blue
- gr = grey
- li = lilac
- vi = lilac
- ge = yellow
- or = orange
- rs = pink

15K1-047060915



15K1-047070915

Transmission output speed sensor, Transmission control module, Data bus on board diagnostic interface

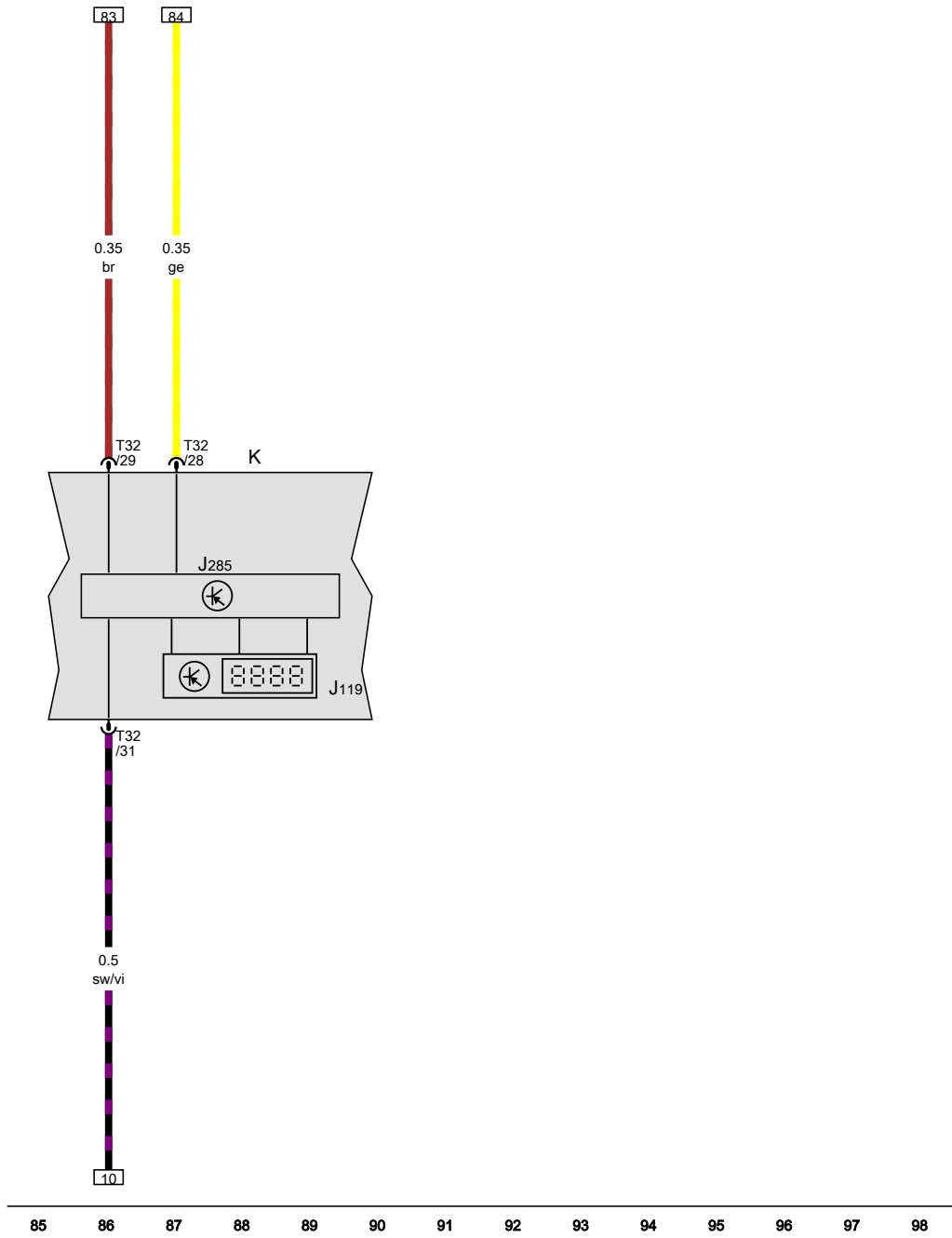
- G195 Transmission output speed sensor
- J217 Transmission control module, under the left front wheel housing cover
- J519 Vehicle electrical control module system
- J533 Data bus on board diagnostic interface, in the left footwell, near the center console
- T8h 8-pin connector, Transmission prewiring
- T16 16-pin connector
- T20 20-pin connector
- T52 52-pin connector
- T52b 52-pin connector
- T52c 52-pin connector
- U31 Diagnostic connection

- (B340) Connection 58d (in main wiring harness) 1
- (B383) Powertrain CAN bus high connection 1 (in main wiring harness)
- (B390) Powertrain CAN bus low connection 1 (in main wiring harness)
- (B397) Comfort system CAN bus high connection 1 (in main wiring harness)
- (B398) Comfort system CAN bus high connection 2 (in main wiring harness)
- (B406) Comfort system CAN bus low connection 1 (in main wiring harness)
- (B407) Comfort system CAN bus low connection 2 (in main wiring harness)

- ws = white
- sw = black
- ro = red
- rt = red
- br = brown
- gn = green
- bl = blue
- gr = grey
- li = lilac
- vi = lilac
- ge = yellow
- or = orange
- rs = pink

Multifunction indicator, Instrument cluster control module

- J119 Multifunction indicator
- J285 Instrument cluster control module
- K Instrument cluster
- T32 32-pin connector

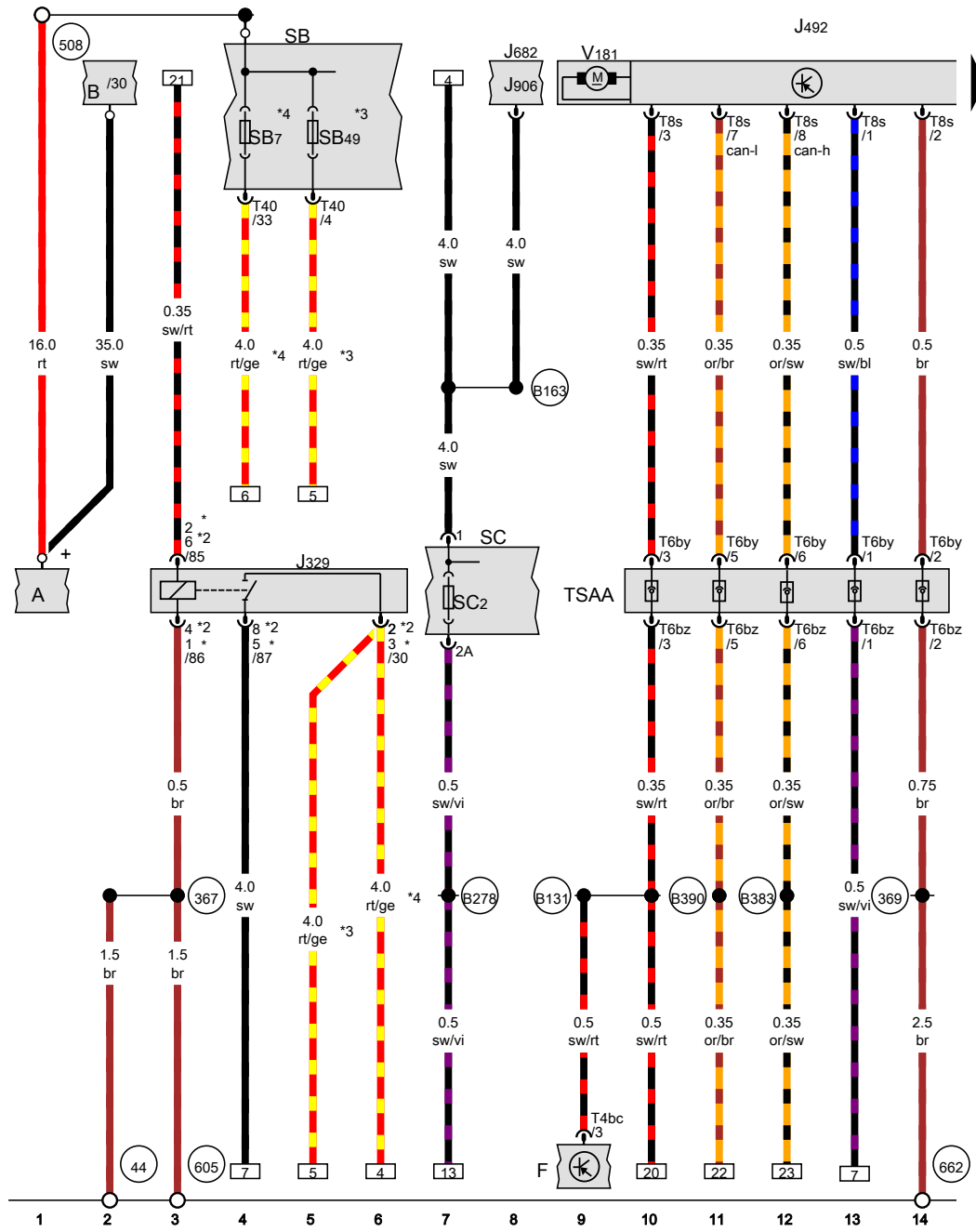


- ws = white
- sw = black
- ro = red
- rt = red
- br = brown
- gn = green
- bl = blue
- gr = grey
- li = lilac
- vi = lilac
- ge = yellow
- or = orange
- rs = pink

[5K1-047080915]



All wheel drive (4MOTION) , (1X1)  
from November 2008



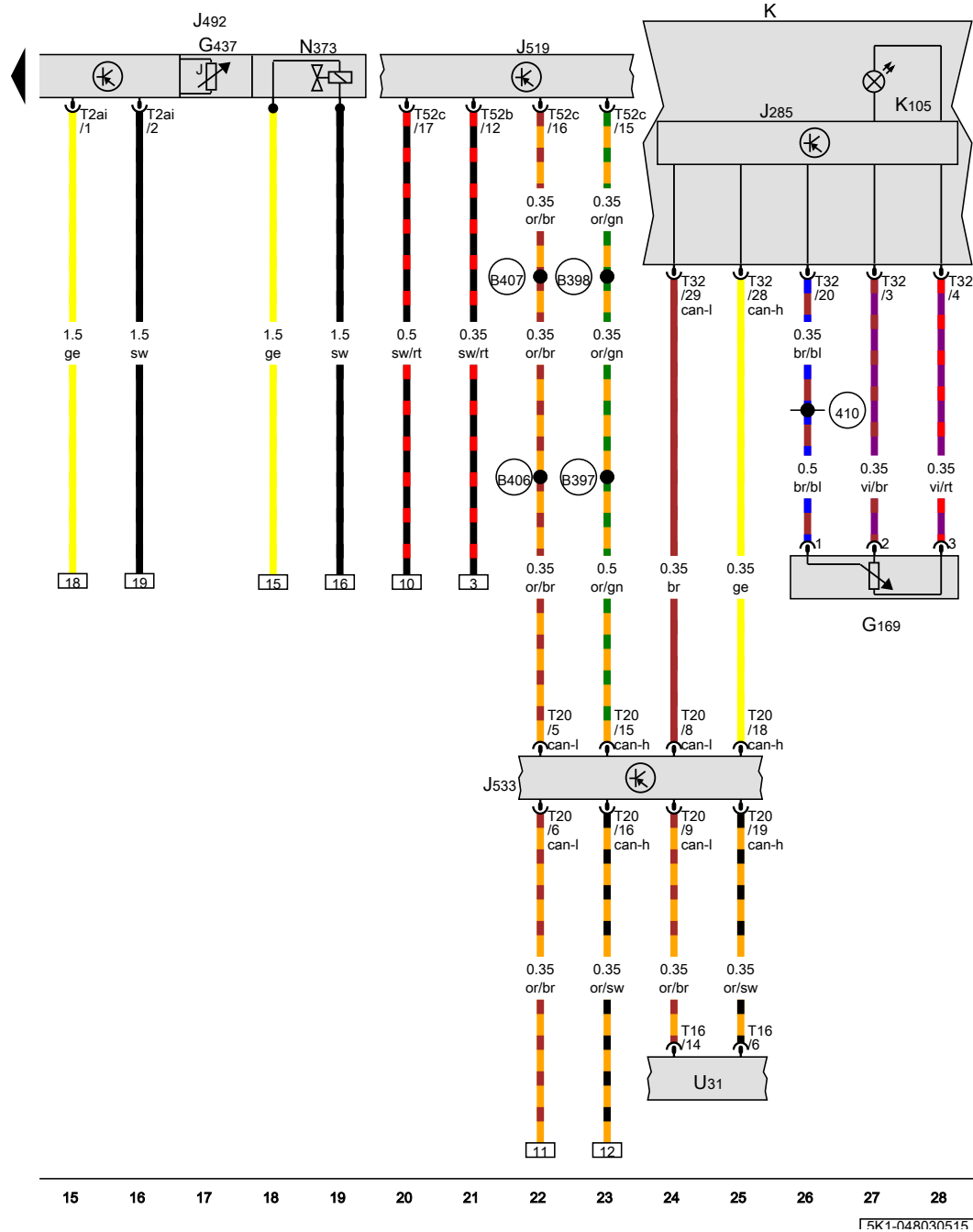
Terminal 15 power supply relay, All wheel drive control module, Fuse panel B, Fuse panel C, Haldex clutch pump

- A Battery
  - B Starter
  - F Brake lamp switch
  - J329 Terminal 15 power supply relay
  - J492 All wheel drive control module, on the rear final drive
  - J682 Terminal 50 power supply relay
  - J906 Starter relay 1
  - SB Fuse panel B
  - SC2 Fuse 2 (on fuse panel C)
  - SB7 Fuse 7 (on fuse panel B)
  - SB49 Fuse 49 (on fuse panel B)
  - SC Fuse panel C
  - T4bc 4-pin connector
  - T6by 6-pin connector
  - T6bz 6-pin connector
  - T8s 8-pin connector
  - T40 40-pin connector
  - TSAA All wheel drive coupling point, on all wheel drive
  - V181 Haldex clutch pump
- 44 Ground connection on A-pillar, lower left
  - 367 Ground connection 2 (in main wiring harness)
  - 369 Ground connection 4 (in main wiring harness)
  - 508 Terminal 30 threaded connection (on E-box)
  - 605 Ground connection on upper steering column
  - 662 Ground connection in left rear side panel
  - B131 Connection 54 (in interior wiring harness)
  - B163 Positive connection 1 (15) (in interior wiring harness)
  - B278 Positive connection 2 (15a) (in main wiring harness)
  - B383 Powertrain CAN bus high connection 1 (in main wiring harness)
  - B390 Powertrain CAN bus low connection 1 (in main wiring harness)

FSK1-0480205151

ws = white

sw	=	black	*	from November 2009
ro	=	red	*2	Through October 2009
rt	=	red	*3	E-Box high
br	=	brown	*4	E-Box low
gn	=	green		
bl	=	blue		
gr	=	grey		
li	=	lilac		
vi	=	lilac		
ge	=	yellow		
or	=	orange		
rs	=	pink		



Fuel level sensor 2, Oil pressure/temperature sensor, Instrument cluster control module, All wheel drive control module, Data bus on board diagnostic interface, Haldex clutch control valve

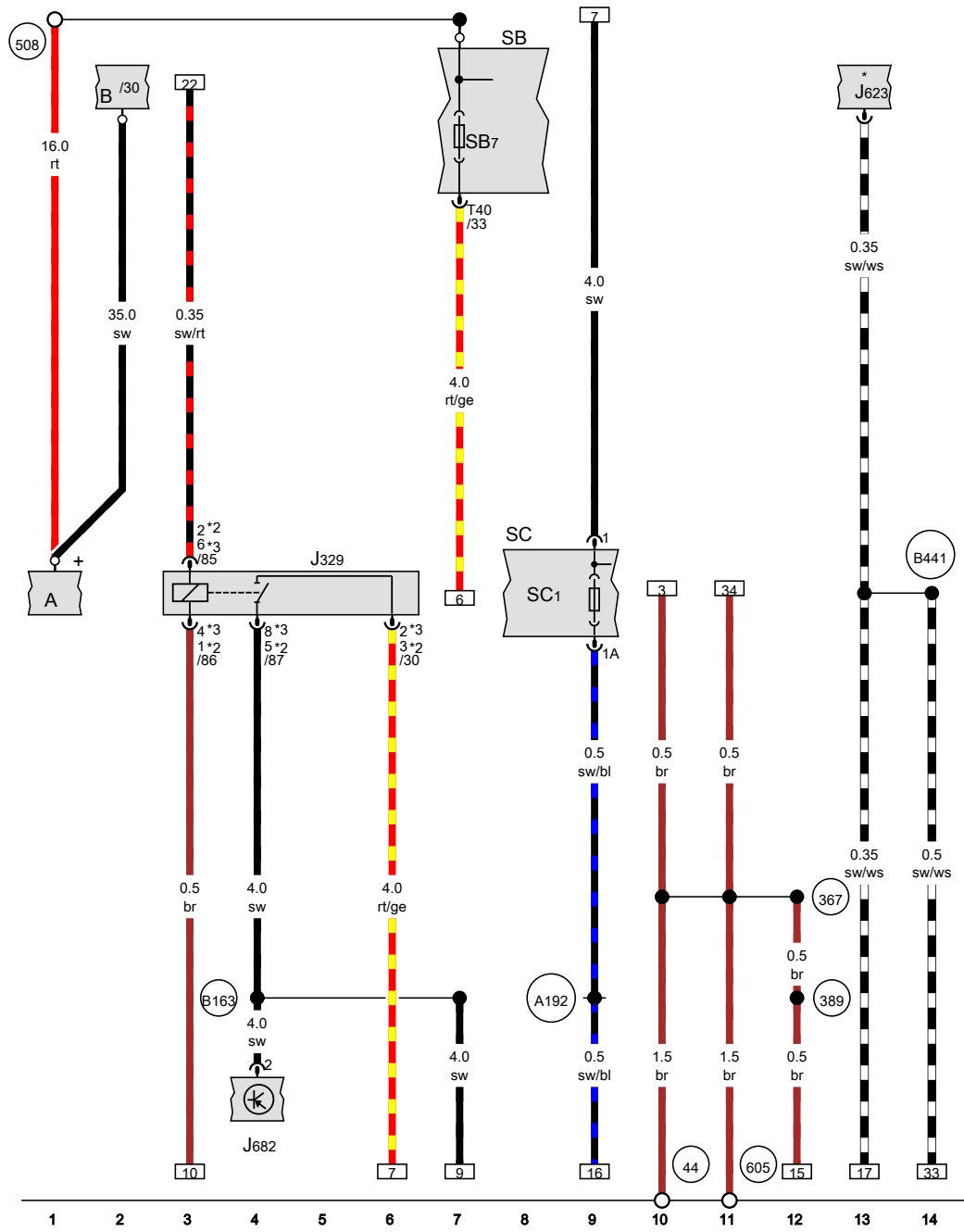
- G169 Fuel level sensor 2
- G437 Oil pressure/temperature sensor
- J285 Instrument cluster control module
- J492 All wheel drive control module, on the rear final drive
- J519 Vehicle electrical control module system
- J533 Data bus on board diagnostic interface, in the left footwell, near the center console
- K Instrument cluster
- K105 Low fuel level indicator lamp
- N373 Haldex clutch control valve
- T2ai Double connector
- T16 16-pin connector
- T20 20-pin connector
- T32 32-pin connector
- T52b 52-pin connector
- T52c 52-pin connector
- U31 Diagnostic connection

- (410) Sensor ground connection 1 (in main wiring harness)
- (B397) Comfort system CAN bus high connection 1 (in main wiring harness)
- (B398) Comfort system CAN bus high connection 2 (in main wiring harness)
- (B406) Comfort system CAN bus low connection 1 (in main wiring harness)
- (B407) Comfort system CAN bus low connection 2 (in main wiring harness)

- ws = white
- sw = black
- ro = red
- rt = red
- br = brown
- gn = green
- bl = blue
- gr = grey
- li = lilac
- vi = lilac
- ge = yellow
- or = orange
- rs = pink

## Adaptive cruise control

from May 2009



**Terminal 15 power supply relay, Fuse 1 (on fuse panel C), Fuse 7 (on fuse panel B)**

- A Battery
- B Starter
- J329 Terminal 15 power supply relay
- J623 Engine control module
- J682 Terminal 50 power supply relay
- SB Fuse panel B
- SC1 Fuse 1 (on fuse panel C)
- SB7 Fuse 7 (on fuse panel B)
- SC Fuse panel C
- T40 40-pin connector

- 44 Ground connection on A-pillar, lower left
- 367 Ground connection 2 (in main wiring harness)
- 389 Ground connection 24 (in main wiring harness)
- 508 Terminal 30 threaded connection (on E-box)
- 605 Ground connection on upper steering column
- A192 Positive connection 3 (15a) (in instrument panel wiring harness)
- B163 Positive connection 1 (15) (in interior wiring harness)
- B441 Cruise control connection (in main wiring harness)

\* Refer to applicable engine wiring diagram  
 \*2 from November 2009  
 \*3 Through October 2009

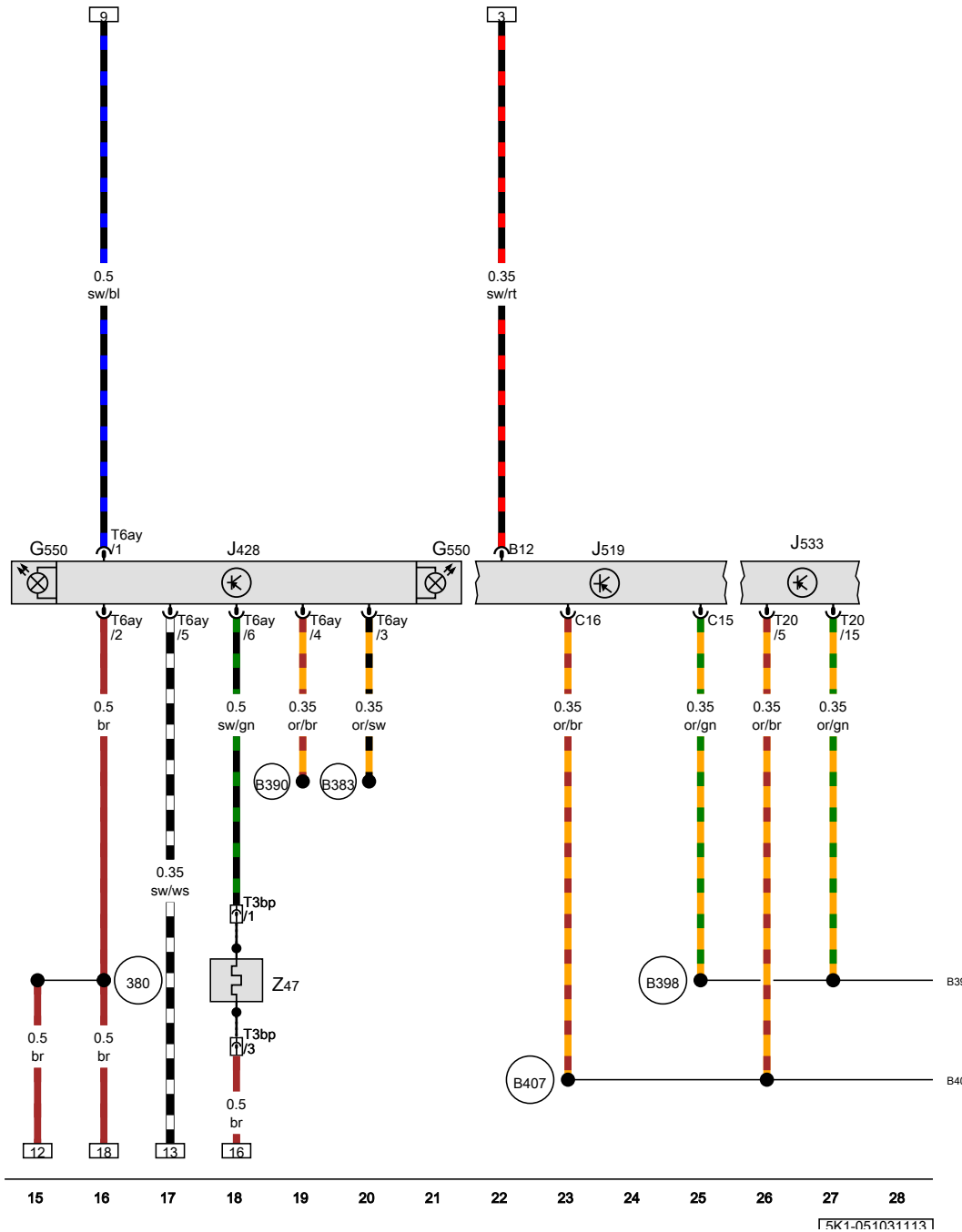
- ws = white
- sw = black
- ro = red
- rt = red
- br = brown
- gn = green
- bl = blue
- gr = grey
- li = lilac
- vi = lilac
- ge = yellow
- or = orange
- rs = pink

15K1-051021113

Adaptive cruise control sensor, Distance regulation control module, Vehicle electrical system control module, Data bus on board diagnostic interface

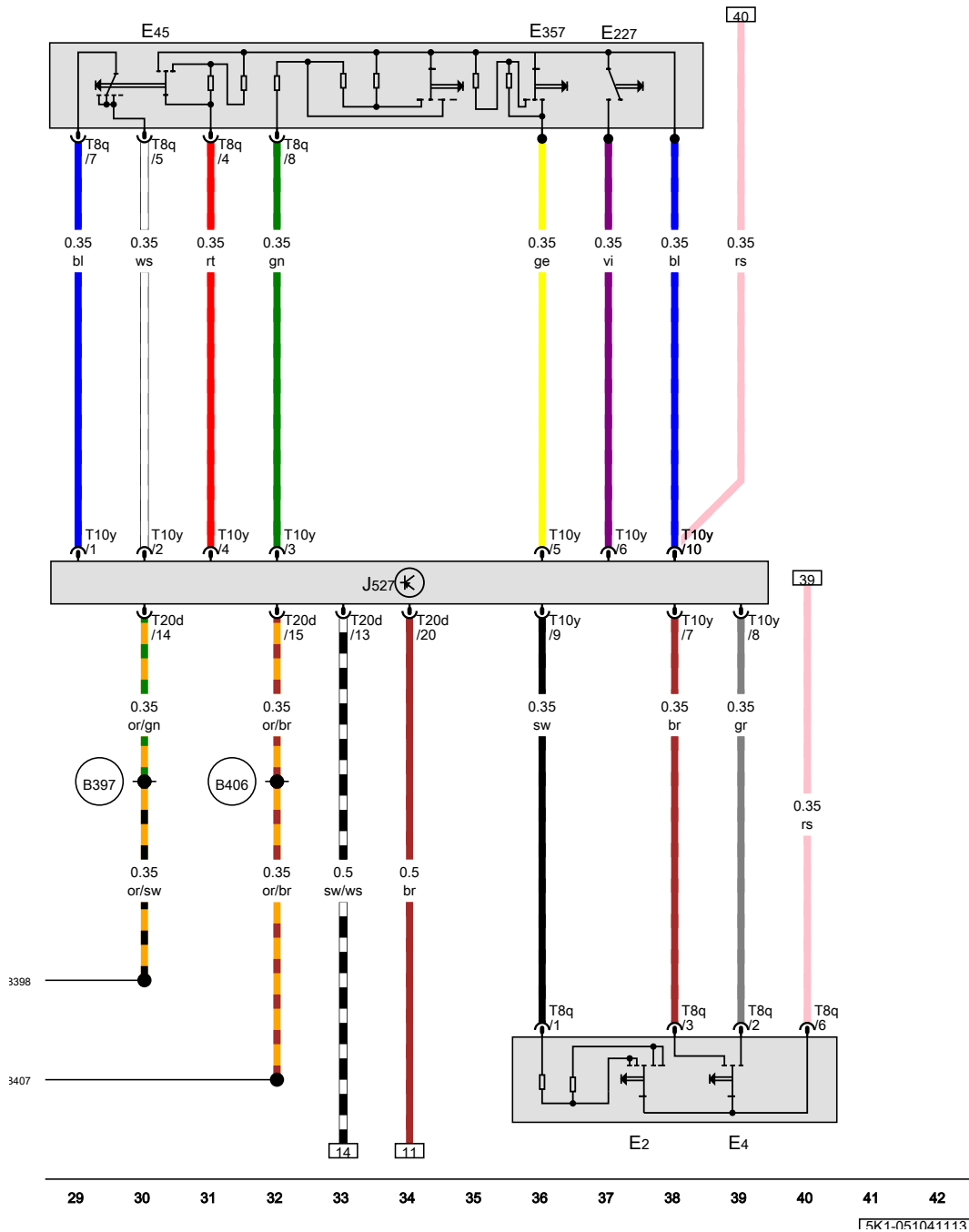
- G550 Adaptive cruise control sensor
- J428 Distance regulation control module
- J519 Vehicle electrical system control module
- J533 Data bus on board diagnostic interface
- T3bp 3-pin connector
- T6ay 6-pin connector
- T20 20-pin connector
- Z47 Adaptive cruise control sensor heater

- (380) Ground connection 15 (in main wiring harness)
- (B383) Powertrain CAN bus high connection 1 (in main wiring harness)
- (B390) Powertrain CAN bus low connection 1 (in main wiring harness)
- (B398) Comfort system CAN bus high connection 2 (in main wiring harness)
- (B407) Comfort system CAN bus low connection 2 (in main wiring harness)



- ws = white
- sw = black
- ro = red
- rt = red
- br = brown
- gn = green
- bl = blue
- gr = grey
- li = lilac
- vi = lilac
- ge = yellow
- or = orange
- rs = pink

[5K1-051031113]



Turn signal switch, Headlamp dimmer/flasher switch, Cruise control switch, Cruise control -SET- button, Adaptive cruise control button, Steering column electronics control module

- E2 Turn signal switch
- E4 Headlamp dimmer/flasher switch
- E45 Cruise control switch
- E227 Cruise control -SET- button
- E357 Adaptive cruise control button
- J527 Steering column electronics control module
- T8q 8-pin connector
- T10y 10-pin connector
- T20d 20-pin connector
- (B397) Comfort system CAN bus high connection 1 (in main wiring harness)
- (B398) Comfort system CAN bus high connection 2 (in main wiring harness)
- (B406) Comfort system CAN bus low connection 1 (in main wiring harness)
- (B407) Comfort system CAN bus low connection 2 (in main wiring harness)

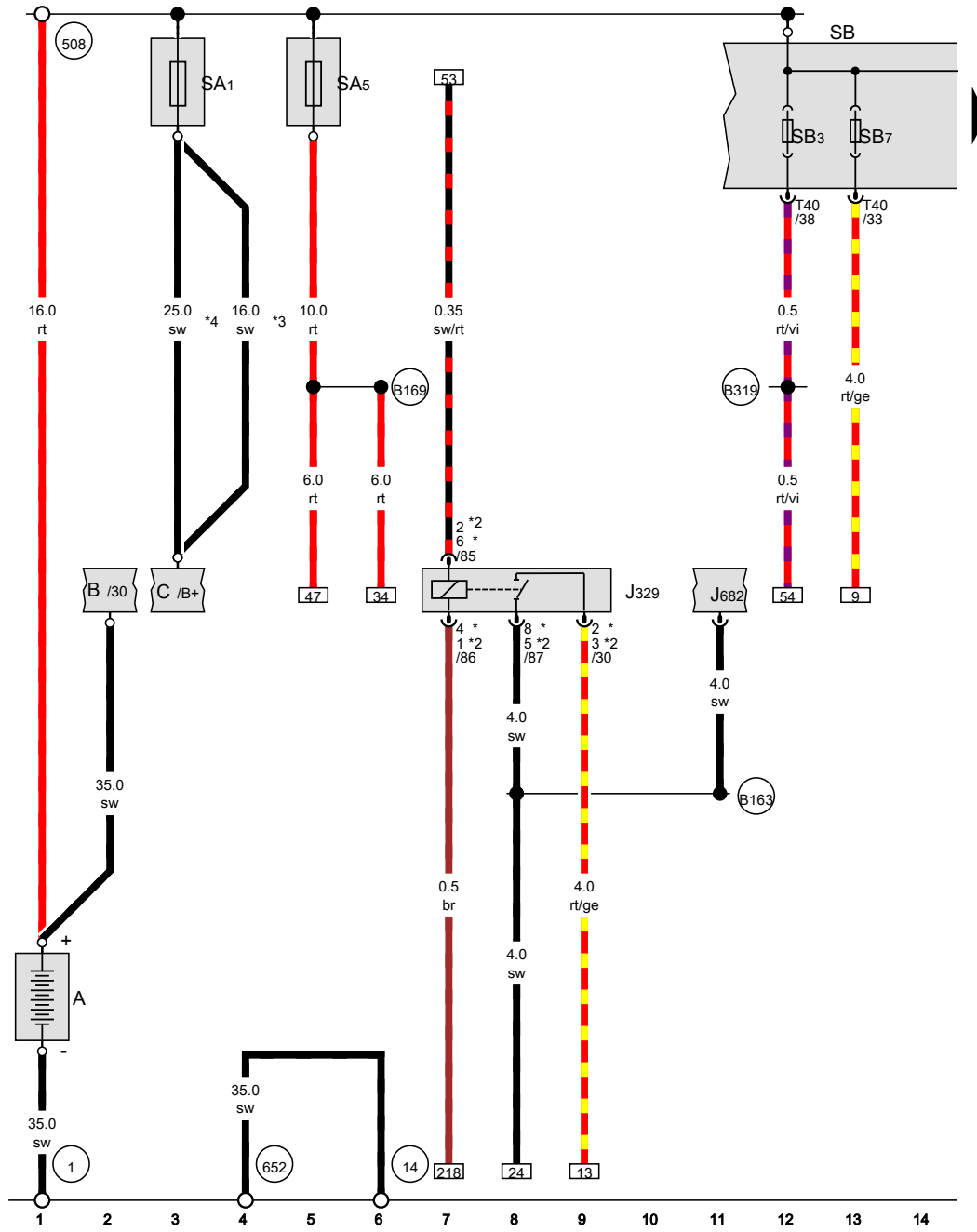
- ws = white
- sw = black
- ro = red
- rt = red
- br = brown
- gn = green
- bl = blue
- gr = grey
- li = lilac
- vi = lilac
- ge = yellow
- or = orange
- rs = pink

15K1-051041113



**Standard equipment (NAR)**

from May 2009



Battery, Terminal 15 power supply relay, Fuse 1 (on fuse panel A), Fuse 5 (on fuse panel A), Fuse panel B

- A Battery
- B Starter
- C Generator
- J329 Terminal 15 power supply relay
- J682 Terminal 50 power supply relay
- SA1 Fuse 1 (on fuse panel A)
- SA5 Fuse 5 (on fuse panel A)
- SB Fuse panel B
- SB7 Fuse 7 (on fuse panel B)
- T40 40-pin connector

- 1 Ground strap, battery to body
- 14 Ground connection on transmission
- 508 Terminal 30 threaded connection (on E-box)
- 652 Transmission/engine ground connection
- B163 Positive connection 1 (15) (in interior wiring harness)
- B169 Positive connection 1 (30) (in interior wiring harness)
- B319 Positive connection 5 (30a) (in main wiring harness)
- \* Through October 2009
- \*2 from November 2009
- \*3 Only for vehicles with 90 A/120 A generator
- \*4 Only for vehicles with a generator (140 A)

- ws = white
- sw = black
- ro = red
- rt = red
- br = brown
- gn = green
- bl = blue
- gr = grey
- li = lilac
- vi = lilac
- ge = yellow
- or = orange
- rs = pink

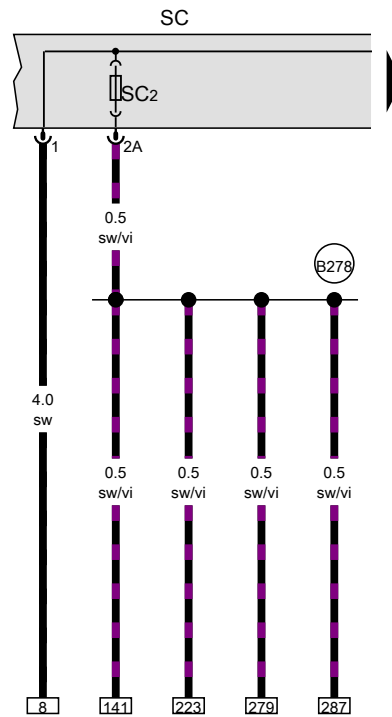
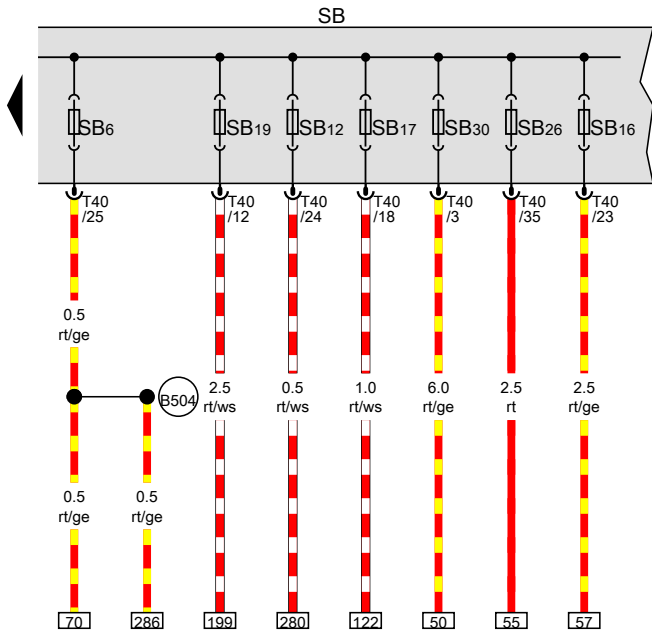
Г5К1-052020915

Fuse panel B, Fuse panel C

- SB Fuse panel B
- SC2 Fuse 2 (on fuse panel C)
- SB6 Fuse 6 (on fuse panel B)
- SB12 Fuse 12 (on fuse panel B)
- SB16 Fuse 16 (on fuse panel B)
- SB17 Fuse 17 (on fuse panel B)
- SB19 Fuse 19 (on fuse panel B)
- SB26 Fuse 26 (on fuse panel B)
- SB30 Fuse 30 (on fuse panel B)
- SC Fuse panel C
- T40 40-pin connector

B278 Positive connection 2 (15a) (in main wiring harness)

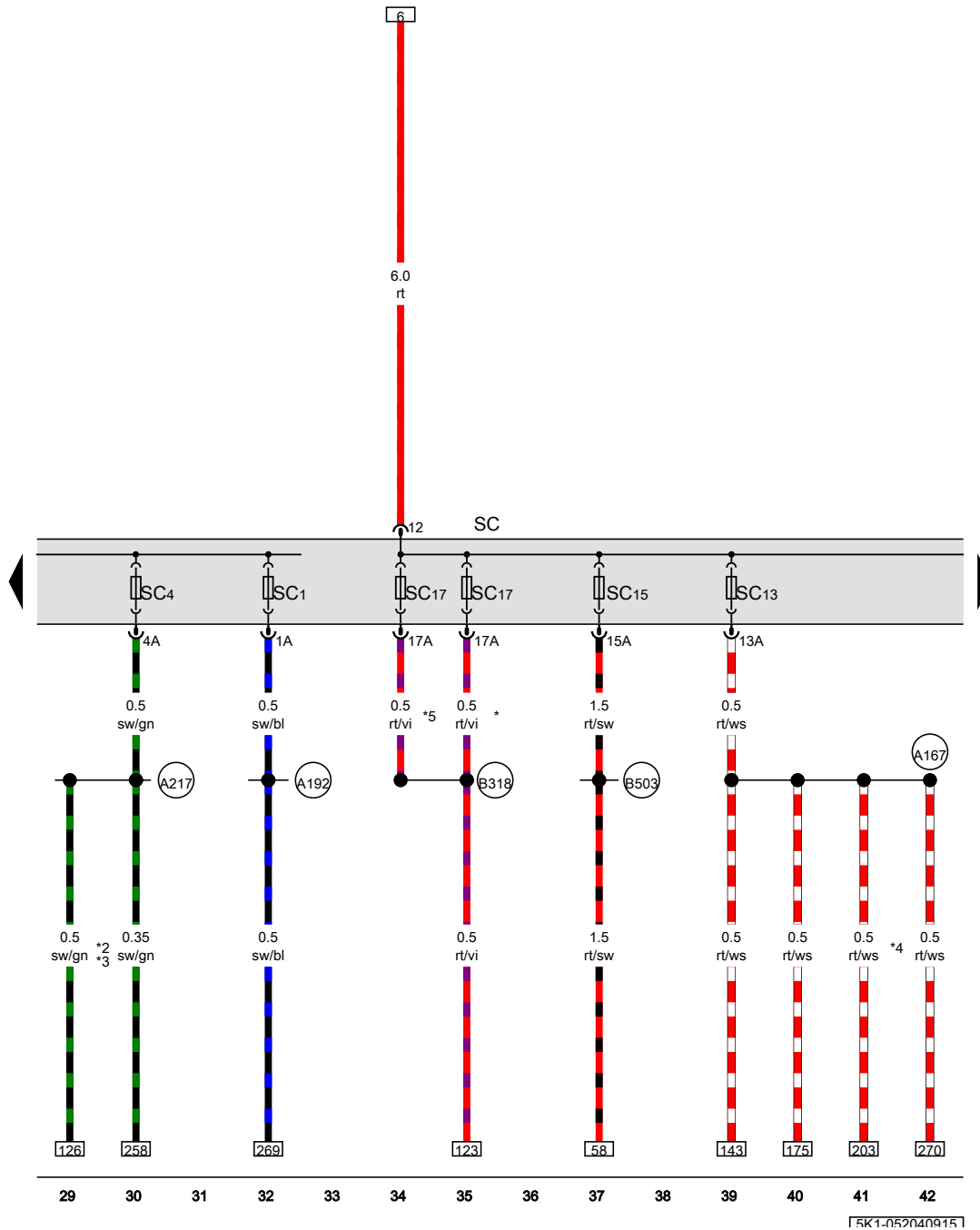
B504 Positive connection 8 (30a) (in interior wiring harness)



- ws = white
- sw = black
- ro = red
- rt = red
- br = brown
- gn = green
- bl = blue
- gr = grey
- li = lilac
- vi = lilac
- ge = yellow
- or = orange
- rs = pink

15 16 17 18 19 20 21 22 23 24 25 26 27 28

15K1-052030915



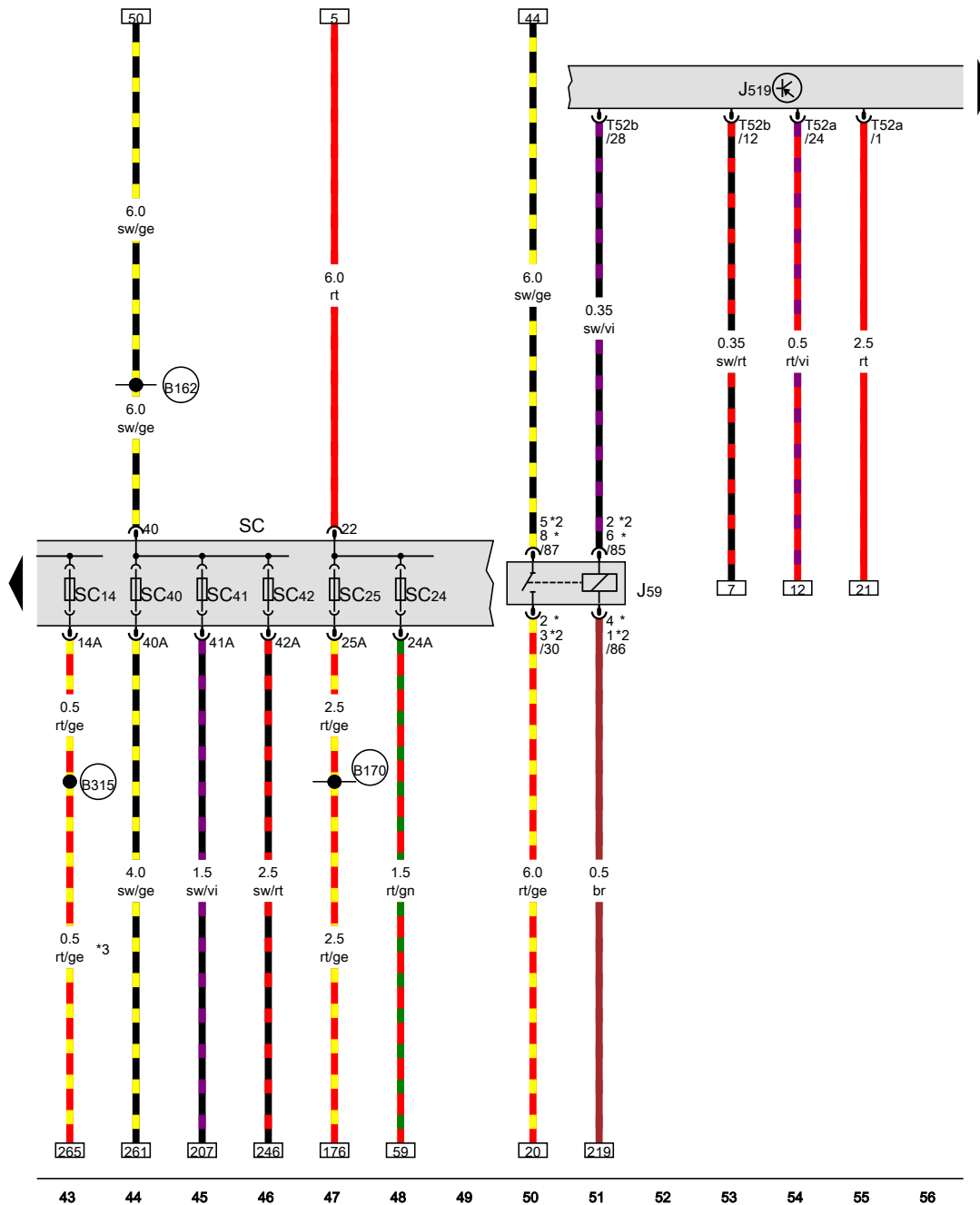
Fuse panel C

- SC Fuse panel C
- SC1 Fuse 1 (on fuse panel C)
- SC4 Fuse 4 (on fuse panel C)
- SC13 Fuse 13 (on fuse panel C)
- SC15 Fuse 15 (on fuse panel C)
- SC17 Fuse 17 (on fuse panel C)

- (A167) Positive connection 3 (30a) (in instrument panel wiring harness)
- (A192) Positive connection 3 (15a) (in instrument panel wiring harness)
- (A217) Positive connection 8 (15a) (in instrument panel wiring harness)
- (B318) Positive connection 4 (30a) (in main wiring harness)
- (B503) Positive connection 7 (30a) (in interior wiring harness)

- \* from November 2009
- \*2 not for vehicles with dual clutch transmission
- \*3 only for vehicles without automatic transmission
- \*4 Only for vehicles with rain/light recognition sensor
- \*5 Through October 2010

15K1-052040915



Load reduction relay, Fuse panel C

- J59 Load reduction relay
- J519 Vehicle electrical control module system
- SC Fuse panel C
- SC14 Fuse 14 (on fuse panel C)
- SC24 Fuse 24 (on fuse panel C)
- SC25 Fuse 25 (on fuse panel C)
- SC40 Fuse 40 (on fuse panel C)
- SC41 Fuse 41 (on fuse panel C)
- SC42 Fuse 42 (on fuse panel C)
- T52a 52-pin connector
- T52b 52-pin connector

B162 Connection 75a (in interior wiring harness)

B170 Positive connection 2 (30) (in interior wiring harness)

B315 Positive connection 1 (30a) (in main wiring harness)

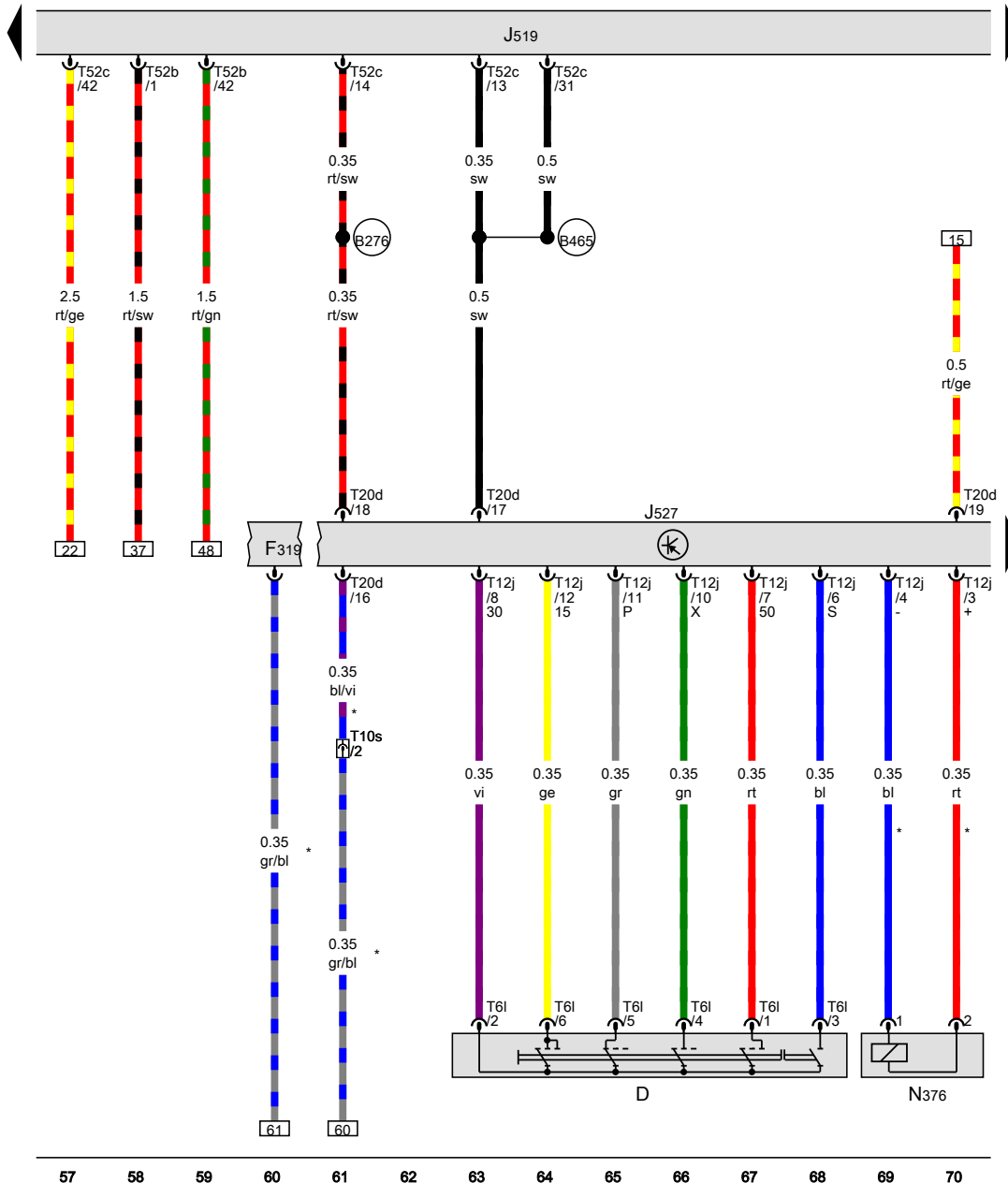
\* Through October 2009

\*2 from November 2009

\*3 Only for vehicles with auxiliary coolant heater

- ws = white
- sw = black
- ro = red
- rt = red
- br = brown
- gn = green
- bl = blue
- gr = grey
- li = lilac
- vi = lilac
- ge = yellow
- or = orange
- rs = pink

15K1-052050915



Ignition/starter switch, Steering column electronics control module, Ignition switch key lock solenoid

- D Ignition/starter switch
- F319 Selector lever park position lock switch
- J519 Vehicle electrical control module system
- J527 Steering column electronics control module
- N376 Ignition switch key lock solenoid, on the ignition/starter switch
- T6i 6-pin connector
- T10s 10-pin connector, under the selector lever
- T12j 12-pin connector
- T20d 20-pin connector
- T52b 52-pin connector
- T52c 52-pin connector

B276 Positive connection (50) (in main wiring harness)

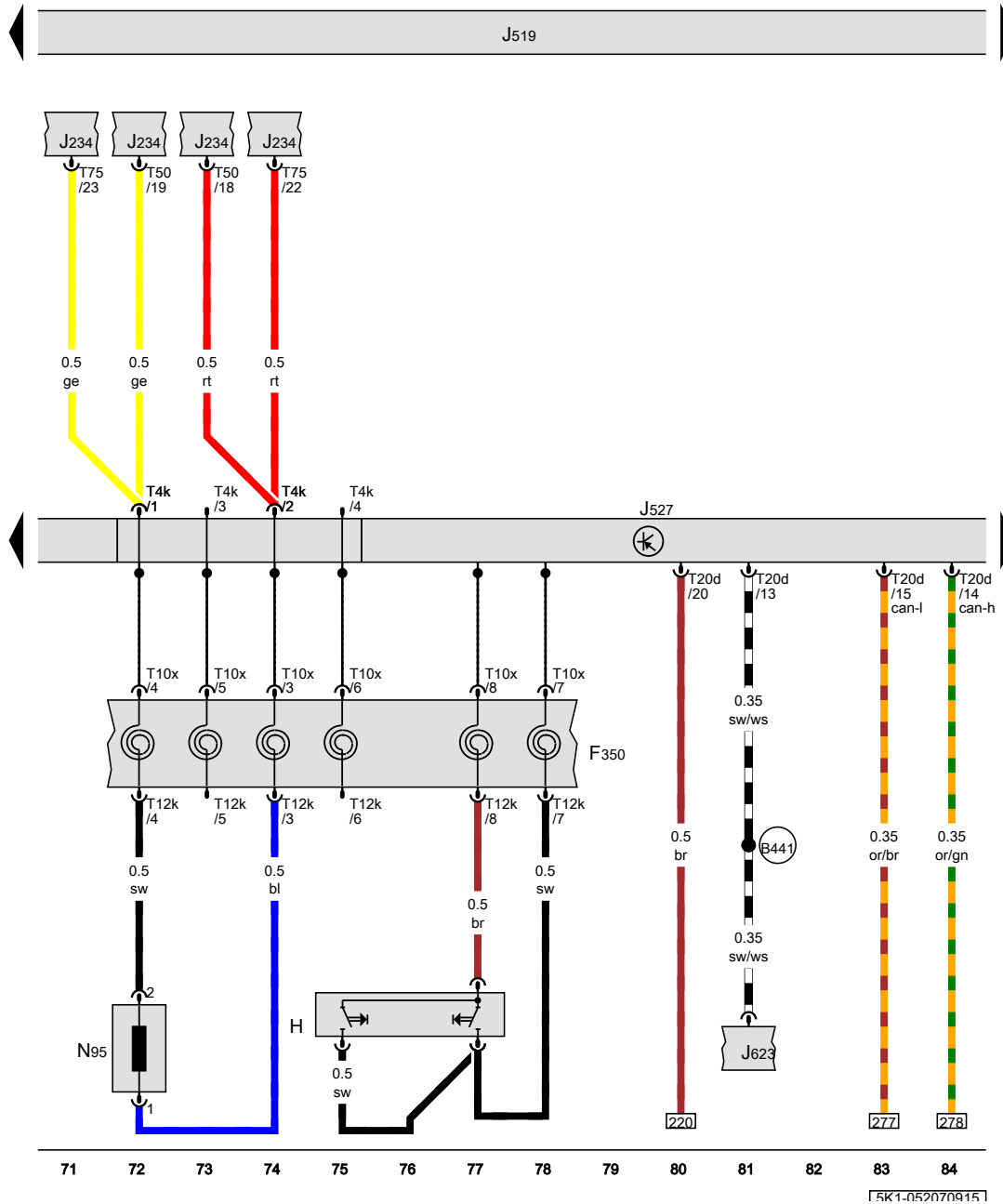
B465 Connection 1 (in main wiring harness)

\* Only for vehicles with DSG transmission

Signal horn activation, Steering column electronics control module, Driver airbag igniter

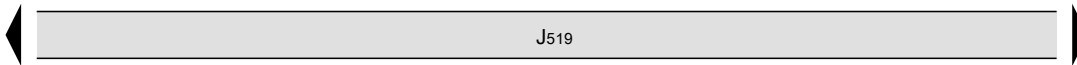
- F350 Spiral spring
- H Signal horn activation
- J234 Airbag control module
- J519 Vehicle electrical control module system
- J527 Steering column electronics control module
- J623 Engine control module
- N95 Driver airbag igniter
- T4k 4-pin connector
- T10x 10-pin connector
- T12k 12-pin connector
- T20d 20-pin connector
- T50 50-pin connector
- T75 75-pin connector

(B441) Cruise control connection (in main wiring harness)



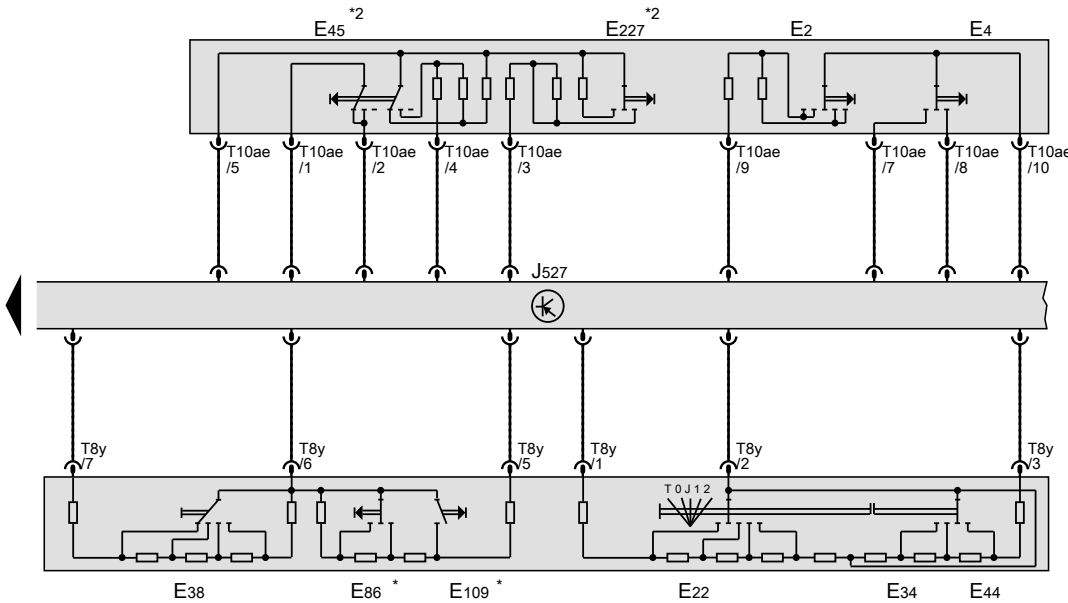
- ws = white
- sw = black
- ro = red
- rt = red
- br = brown
- gn = green
- bl = blue
- gr = grey
- li = lilac
- vi = lilac
- ge = yellow
- or = orange
- rs = pink

15K1-0520709151



Turn signal switch, Headlamp dimmer/flasher switch, Windshield wiper intermittent mode switch, Rear window wiper switch, Windshield wiper intermittent regulator, Windshield and headlamp washer pump switch, Cruise control switch, Multifunction indicator selection switch, Multifunction indicator memory switch, Cruise control -SET- button, Steering column electronics control module

- E2 Turn signal switch
- E4 Headlamp dimmer/flasher switch
- E22 Windshield wiper intermittent mode switch
- E34 Rear window wiper switch
- E38 Windshield wiper intermittent regulator
- E44 Windshield and headlamp washer pump switch
- E45 Cruise control switch
- E86 Multifunction indicator selection switch
- E109 Multifunction indicator memory switch
- E227 Cruise control -SET- button
- J519 Vehicle electrical control module system
- J527 Steering column electronics control module
- T8y 8-pin connector
- T10ae 10-pin connector
- \* Only for vehicles with multifunction display
- \*2 Only for vehicles with cruise control

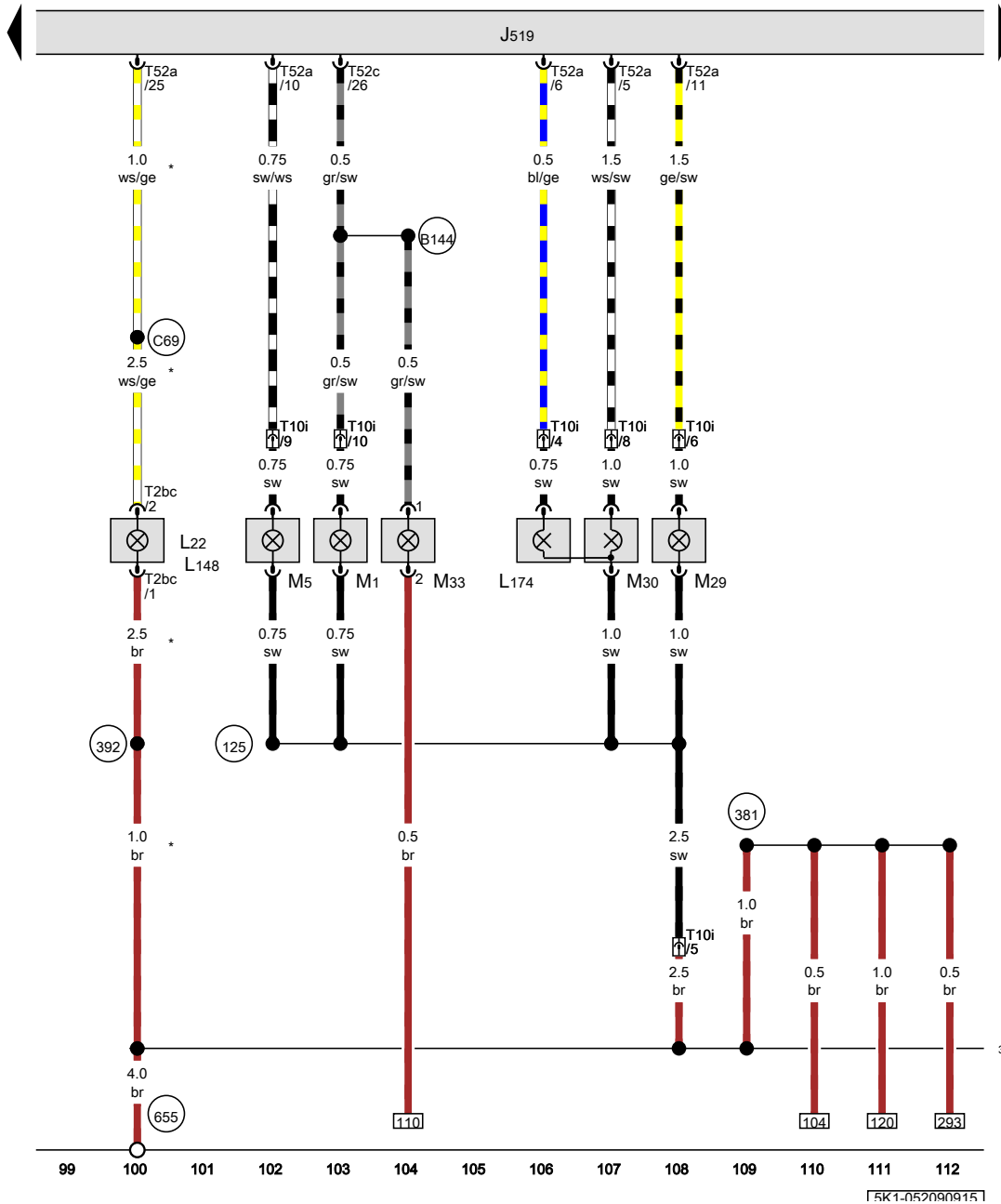


- ws = white
- sw = black
- ro = red
- rt = red
- br = brown
- gn = green
- bl = blue
- gr = grey
- li = lilac
- vi = lilac
- ge = yellow
- or = orange
- rs = pink

85 86 87 88 89 90 91 92 93 94 95 96 97 98

15K1-0520809151





Left front fog lamp bulb, Left cornering lamp bulb, Left daytime running lamp bulb, Left position lamp bulb, Left front turn signal bulb, Left low beam headlamp bulb, Left high beam headlamp bulb, Left front side marker lamp bulb

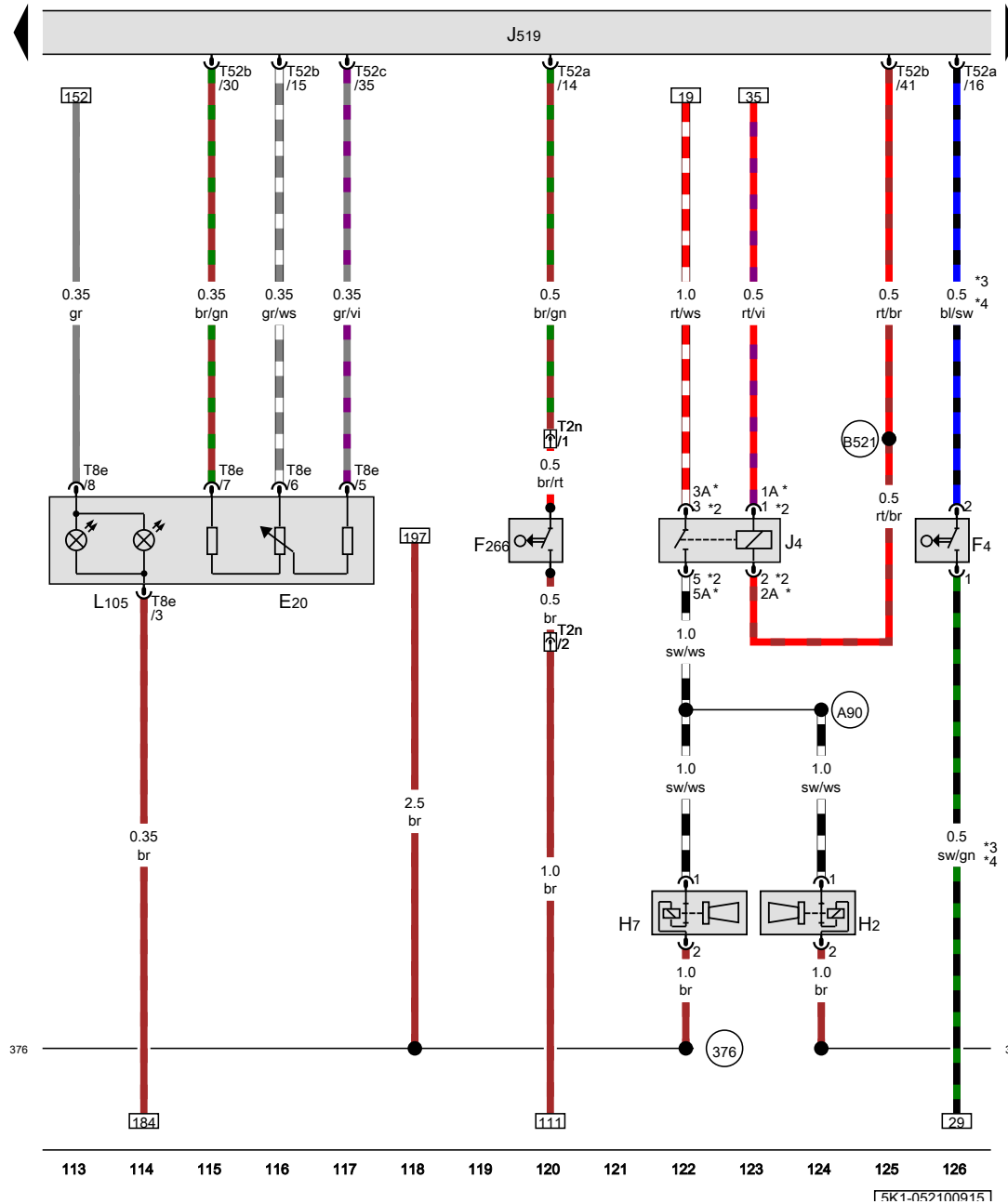
- J519 Vehicle electrical control module system
- L22 Left front fog lamp bulb
- L148 Left cornering lamp bulb
- L174 Left daytime running lamp bulb
- M1 Left position lamp bulb
- M5 Left front turn signal bulb
- M29 Left low beam headlamp bulb
- M30 Left high beam headlamp bulb
- M33 Left front side marker lamp bulb
- T2bc 2-pin connector
- T10i 10-pin connector, on the left headlamp
- T52a 52-pin connector
- T52c 52-pin connector

- 125 Ground connection 3 (in headlamp wiring harness)
- 376 Ground connection 11 (in main wiring harness)
- 381 Ground connection 16 (in main wiring harness)
- 392 Ground connection 27 (in main wiring harness)
- 655 Ground connection on left headlamp
- B144 Positive connection (58L) (in interior wiring harness)
- C69 Fog lamp connection (in left front wiring harness)
- \* Only for vehicles with fog lamps

- ws = white
- sw = black
- ro = red
- rt = red
- br = brown
- gn = green
- bl = blue
- gr = grey
- li = lilac
- vi = lilac
- ge = yellow
- or = orange
- rs = pink

15K1-052090915

Instrument panel and switch illumination dimmer switch, Back-up lamp switch, Engine hood contact switch, High tone horn, Low tone horn, Dual tone horn relay

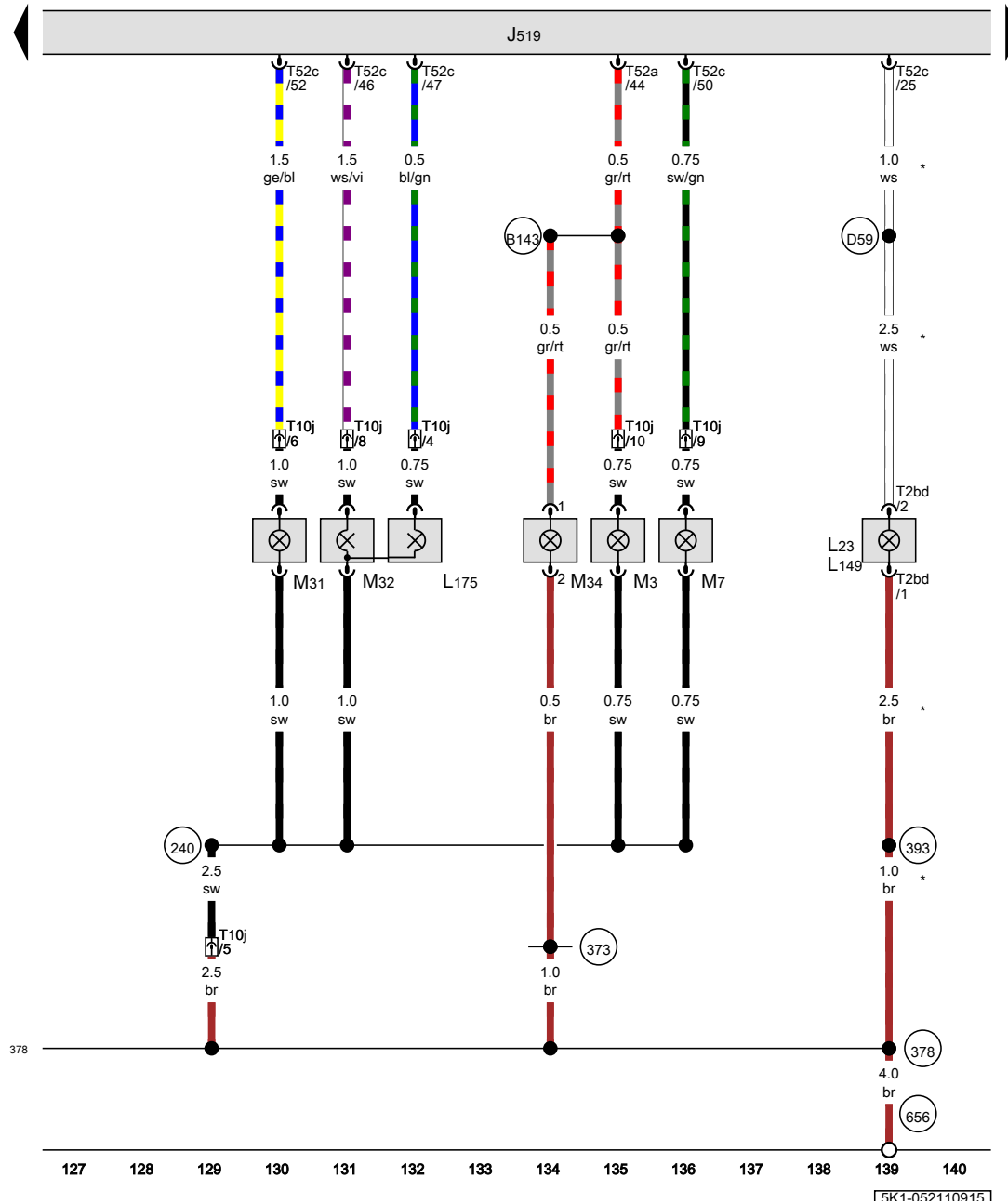


- E20 Instrument panel and switch illumination dimmer switch
- F4 Back-up lamp switch
- F266 Engine hood contact switch
- H2 High tone horn
- H7 Low tone horn
- J4 Dual tone horn relay
- J519 Vehicle electrical control module system
- L105 Lighting control illumination bulb
- T2n 2-pin connector, near the left headlamp
- T8e 8-pin connector
- T52a 52-pin connector
- T52b 52-pin connector
- T52c 52-pin connector

- 376 Ground connection 11 (in main wiring harness)
- 378 Ground connection 13 (in main wiring harness)
- A90 Dual tone horn connection (in instrument panel wiring harness)
- B52j Dual tone horn connection (in main wiring harness)
- \* from November 2009
- \*2 Through October 2009
- \*3 not for vehicles with dual clutch transmission
- \*4 only for vehicles without automatic transmission

- ws = white
- sw = black
- ro = red
- rt = red
- br = brown
- gn = green
- bl = blue
- gr = grey
- li = lilac
- vi = lilac
- ge = yellow
- or = orange
- rs = pink

15K1-052100915



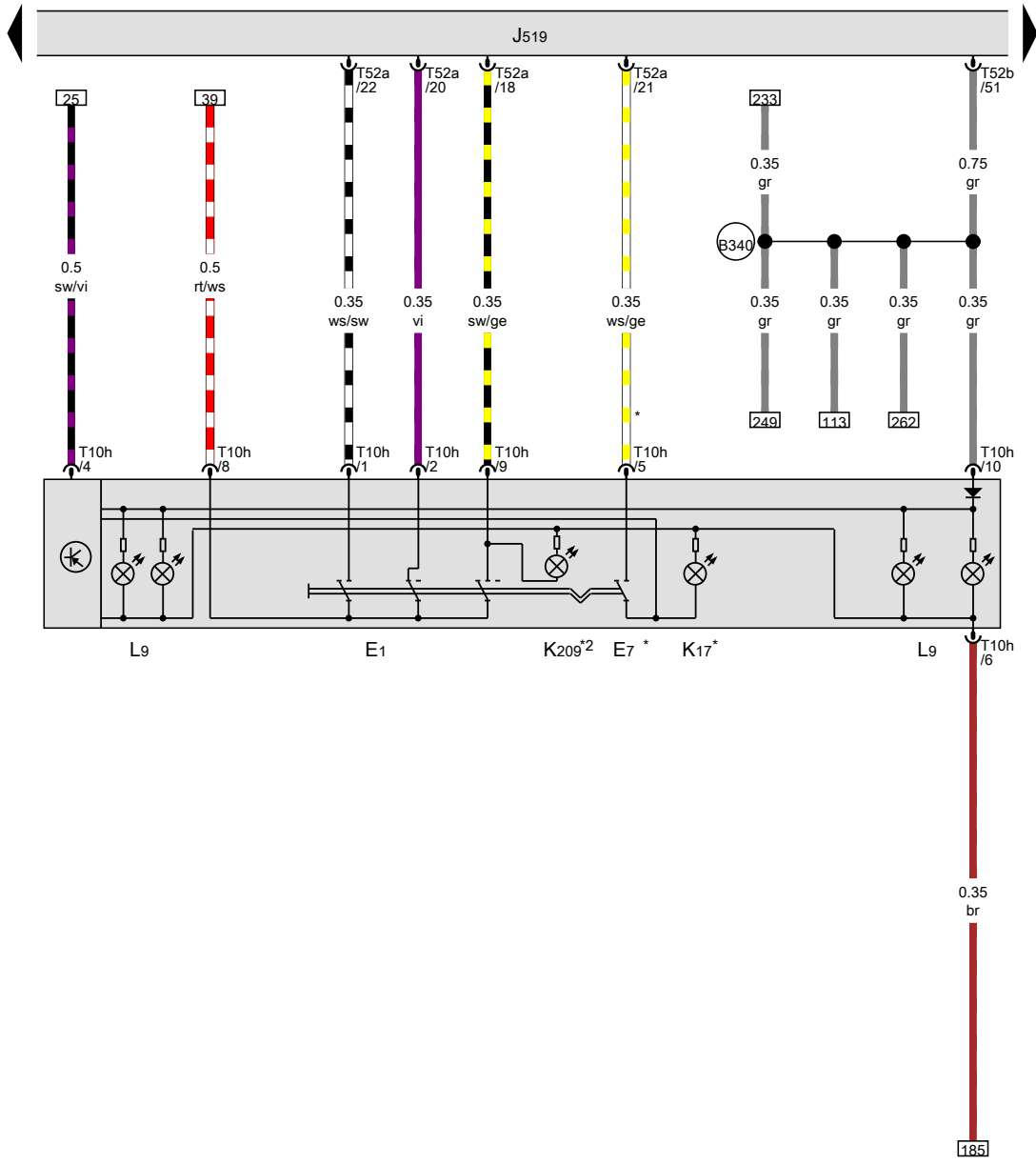
Right front fog lamp bulb, Right cornering lamp bulb, Right position lamp bulb, Right front turn signal bulb, Right low beam headlamp bulb, Right high beam headlamp bulb, Right front side marker lamp bulb

- J519 Vehicle electrical control module system
- L23 Right front fog lamp bulb
- L149 Right cornering lamp bulb
- L175 Right daytime running lamp bulb
- M3 Right position lamp bulb
- M7 Right front turn signal bulb
- M31 Right low beam headlamp bulb
- M32 Right high beam headlamp bulb
- M34 Right front side marker lamp bulb
- T2bd 2-pin connector
- T10j 10-pin connector, on the right headlamp
- T52a 52-pin connector
- T52c 52-pin connector
- 240 Ground connection 4 (in headlamp wiring harness)
- 373 Ground connection 8 (in main wiring harness)
- 378 Ground connection 13 (in main wiring harness)
- 393 Ground connection 28 (in main wiring harness)
- 656 Ground connection on right headlamp
- B143 Positive connection (58R) (in interior wiring harness)
- D59 Fog lamp connection (in engine compartment wiring harness)
- \* Only for vehicles with fog lamps

- ws = white
- sw = black
- ro = red
- rt = red
- br = brown
- gn = green
- bl = blue
- gr = grey
- li = lilac
- vi = lilac
- ge = yellow
- or = orange
- rs = pink

15K1-052110915

Light switch, Fog lamp switch, Fog lamp indicator lamp, Automatic light control indicator lamp



- E1 Light switch
- E7 Fog lamp switch
- J519 Vehicle electrical control module system
- K17 Fog lamp indicator lamp
- K209 Automatic light control indicator lamp
- L9 Headlamp switch illumination bulb
- T10h 10-pin connector
- T52a 52-pin connector
- T52b 52-pin connector

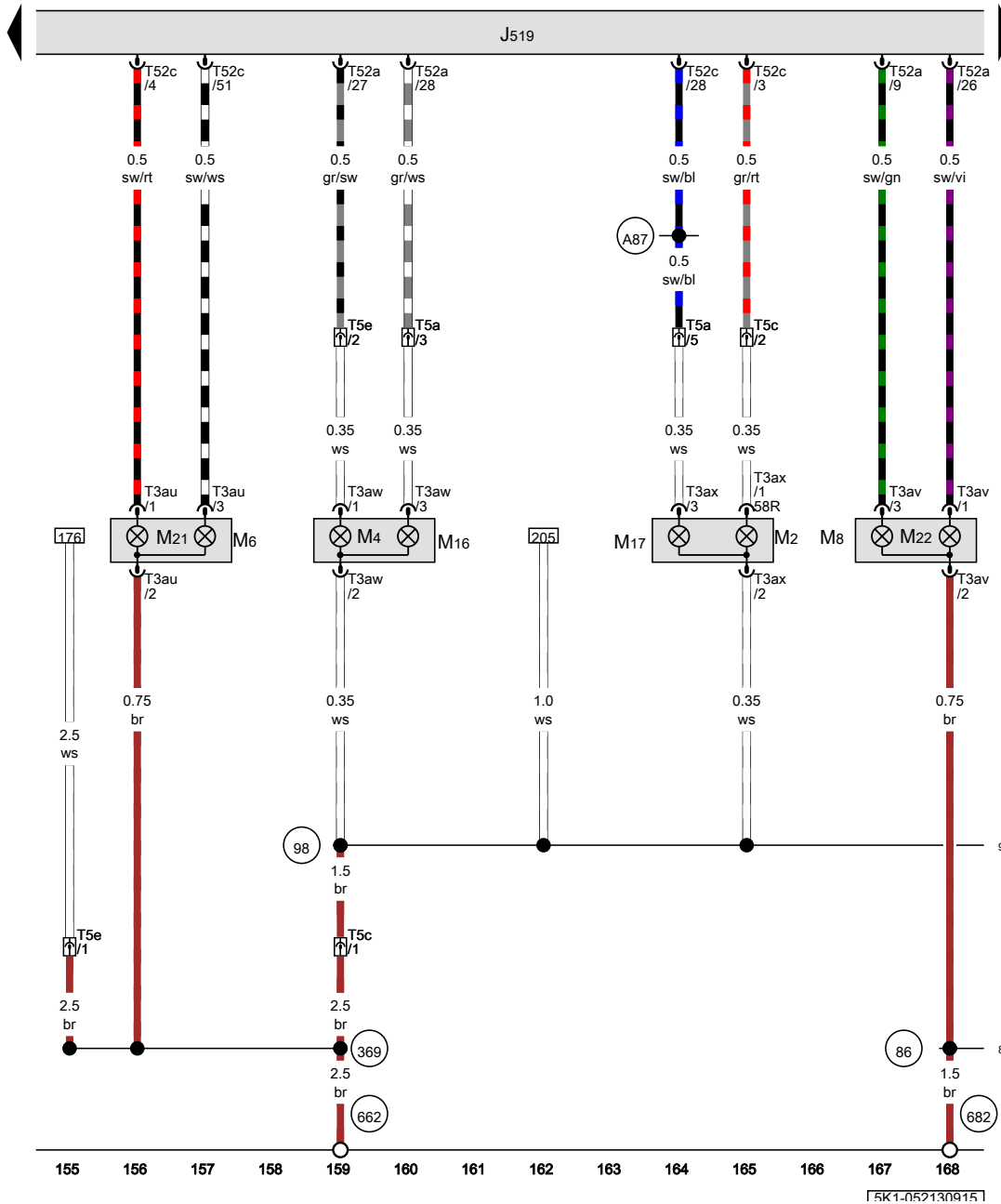
B340 Connection 58d (in main wiring harness) 1

- \* Only for vehicles with fog lamps
- \*2 Only for vehicles with automatic headlamp assist

- ws = white
- sw = black
- ro = red
- rt = red
- br = brown
- gn = green
- bl = blue
- gr = grey
- li = lilac
- vi = lilac
- ge = yellow
- or = orange
- rs = pink

141 142 143 144 145 146 147 148 149 150 151 152 153 154

15K1-052120915



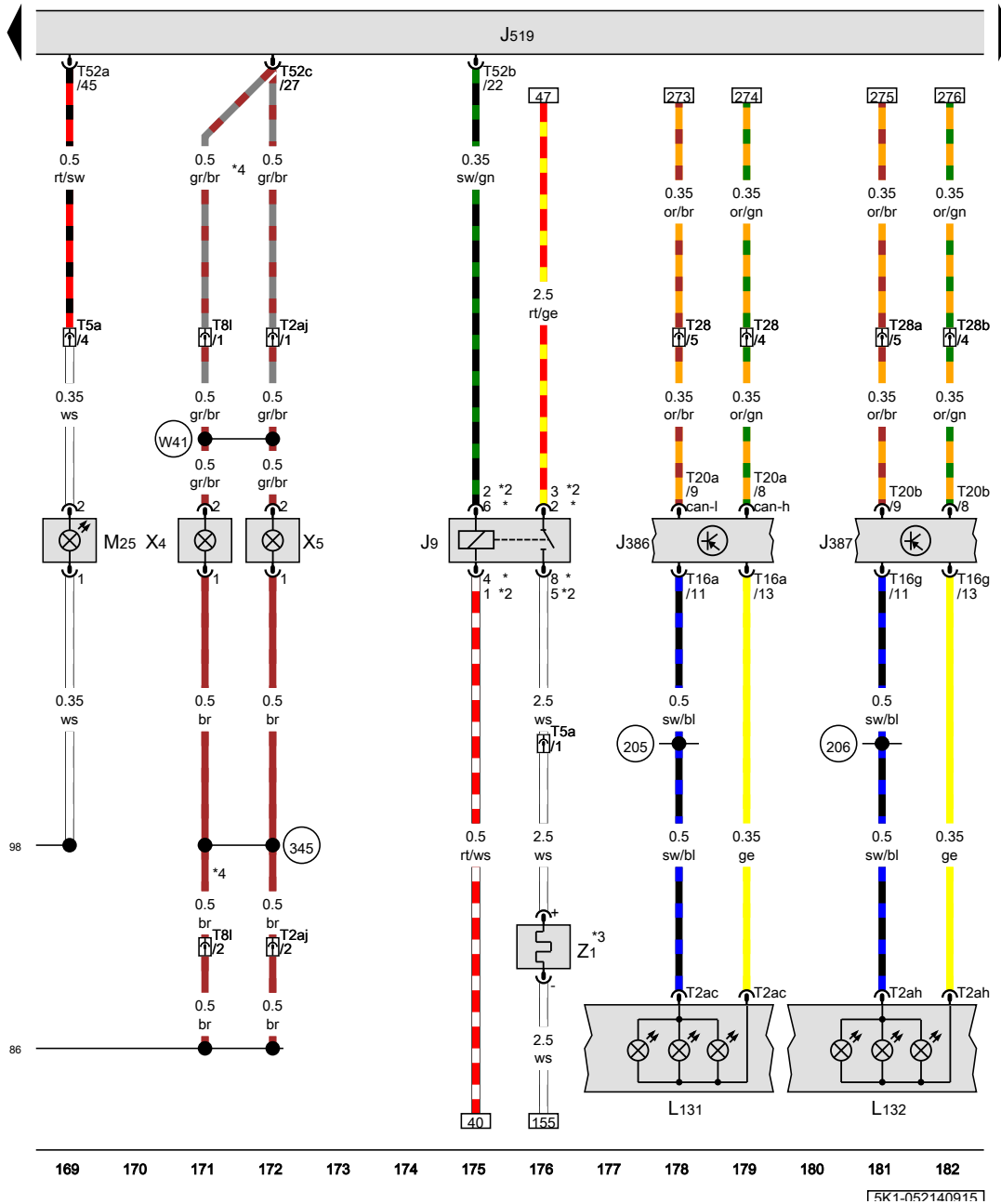
Right tail lamp bulb, Left tail lamp bulb, Left rear turn signal bulb, Right rear turn signal bulb, Left back-up lamp bulb, Right back-up lamp bulb, Left brake/tail lamp bulb, Right brake/tail lamp bulb

- J519 Vehicle electrical control module system
- M2 Right tail lamp bulb
- M4 Left tail lamp bulb
- M6 Left rear turn signal bulb
- M8 Right rear turn signal bulb
- M16 Left back-up lamp bulb
- M17 Right back-up lamp bulb
- M21 Left brake/tail lamp bulb
- M22 Right brake/tail lamp bulb
- T3au 3-pin connector
- T3av 3-pin connector
- T3aw 3-pin connector
- T3ax 3-pin connector
- T5a 5-pin connector, in the left rear side panel
- T5c 5-pin connector, in the left rear side panel
- T5e 5-pin connector, in the left rear side panel
- T52a 52-pin connector
- T52c 52-pin connector

- 86 Ground connection 1 (in rear wiring harness)
- 98 Ground connection (in rear lid wiring harness)
- 369 Ground connection 4 (in main wiring harness)
- 662 Ground connection in left rear side panel
- 682 Ground connection 2 in right rear side panel
- A87 Back-up lamp connection (in instrument panel wiring harness)

- ws = white
- sw = black
- ro = red
- rt = red
- br = brown
- gn = green
- bl = blue
- gr = grey
- li = lilac
- vi = lilac
- ge = yellow
- or = orange
- rs = pink

15K1-0521309151

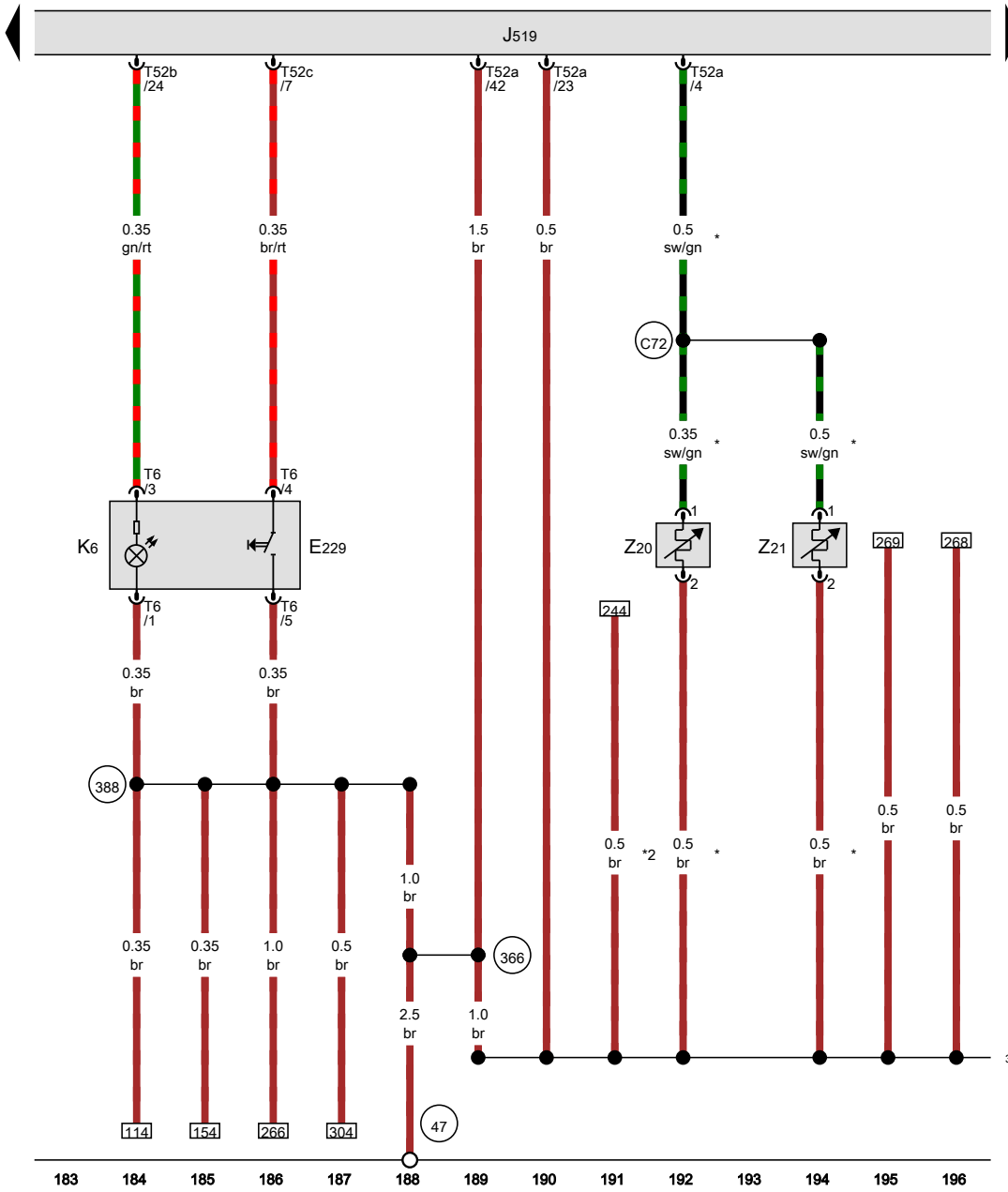


Rear window defogger relay, Driver exterior rearview mirror turn signal bulb, Front passenger exterior rearview mirror turn signal bulb, High-mounted brake lamp bulb, Left license plate lamp, Right license plate lamp, Rear window defogger

- J9 Rear window defogger relay
- J386 Driver door control module
- J387 Front passenger door control module
- J519 Vehicle electrical control module system
- L131 Driver exterior rearview mirror turn signal bulb
- L132 Front passenger exterior rearview mirror turn signal bulb
- M25 High-mounted brake lamp bulb
- T2ac 2-pin connector
- T2ah 2-pin connector
- T2aj 2-pin connector, under the right rear bumper
- T5a 5-pin connector, in the left rear side panel
- T8l 8-pin connector
- T16a 16-pin connector
- T16g 16-pin connector
- T20a 20-pin connector
- T20b 20-pin connector
- T28 28-pin connector, in the left A-pillar connector station
- T28a 28-pin connector, in the connector station, right A-pillar
- T28b 28-pin connector, in the connector station, right A-pillar
- T52a 52-pin connector
- T52b 52-pin connector
- T52c 52-pin connector
- X4 Left license plate lamp
- X5 Right license plate lamp
- Z1 Rear window defogger

- 86 Ground connection 1 (in rear wiring harness)
- 98 Ground connection (in rear lid wiring harness)
- 205 Ground connection (in driver door wiring harness)
- 206 Ground connection (in front passenger door wiring harness)
- 345 Ground connection (in bumper wiring harness)
- W41 Positive connection (58) (in license plate lamp wiring harness)
- \* Through October 2009
- \*2 from November 2009
- \*3 Refer to applicable wiring diagram for radio/radio navigation system
- \*4 Only for vehicles with park distance control (PDC)

- ws = white
- sw = black
- ro = red
- rt = red
- br = brown
- gn = green
- bl = blue
- gr = grey
- li = lilac
- vi = lilac
- ge = yellow
- or = orange
- rs = pink



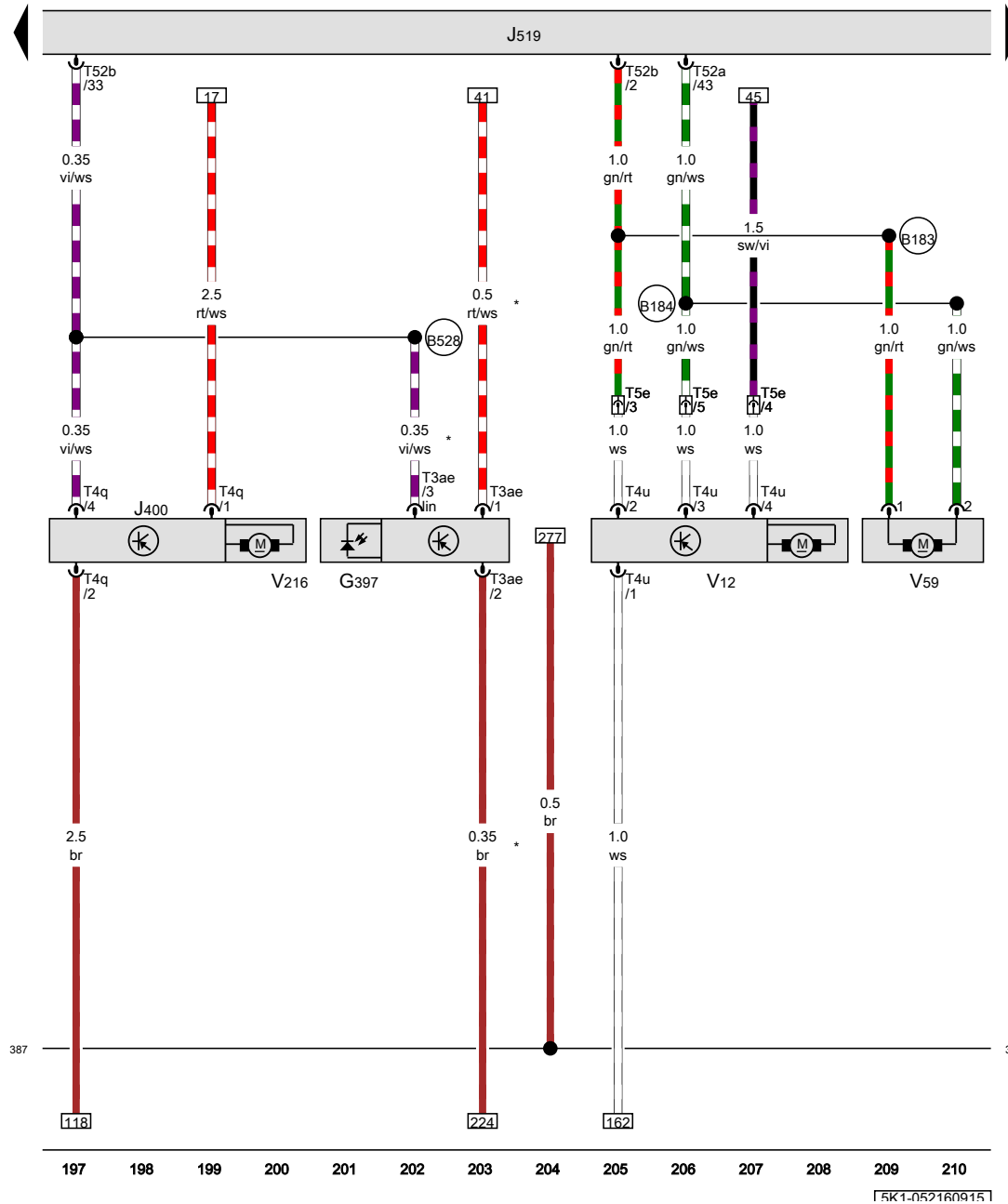
Emergency flasher button, Left washer nozzle heater, Right washer nozzle heater

- E229 Emergency flasher button
- J519 Vehicle electrical control module system
- K6 Emergency flasher indicator lamp
- T6 6-pin connector
- T52a 52-pin connector
- T52b 52-pin connector
- T52c 52-pin connector
- Z20 Left washer nozzle heater
- Z21 Right washer nozzle heater

- 47 Ground connection in right front footwell
- 366 Ground connection 1 (in main wiring harness)
- 387 Ground connection 22 (in main wiring harness)
- 388 Ground connection 23 (in main wiring harness)
- C72 Positive connection (in heated spray nozzle wiring harness)
- \* Only for vehicles with heated spray nozzles
- \*2 Only for vehicles with footwell lamp

- ws = white
- sw = black
- ro = red
- rt = red
- br = brown
- gn = green
- bl = blue
- gr = grey
- li = lilac
- vi = lilac
- ge = yellow
- or = orange
- rs = pink

15K1-052150915



Rain/light recognition sensor, Wiper motor control module, Rear window wiper motor, Windshield and rear window washer pump, Driver windshield wiper motor

- G397 Rain/light recognition sensor
- J400 Wiper motor control module
- J519 Vehicle electrical control module system
- T3ae 3-pin connector
- T4q 4-pin connector
- T4u 4-pin connector
- T5e 5-pin connector, in the left rear side panel
- T52a 52-pin connector
- T52b 52-pin connector
- V12 Rear window wiper motor
- V59 Windshield and rear window washer pump
- V216 Driver windshield wiper motor

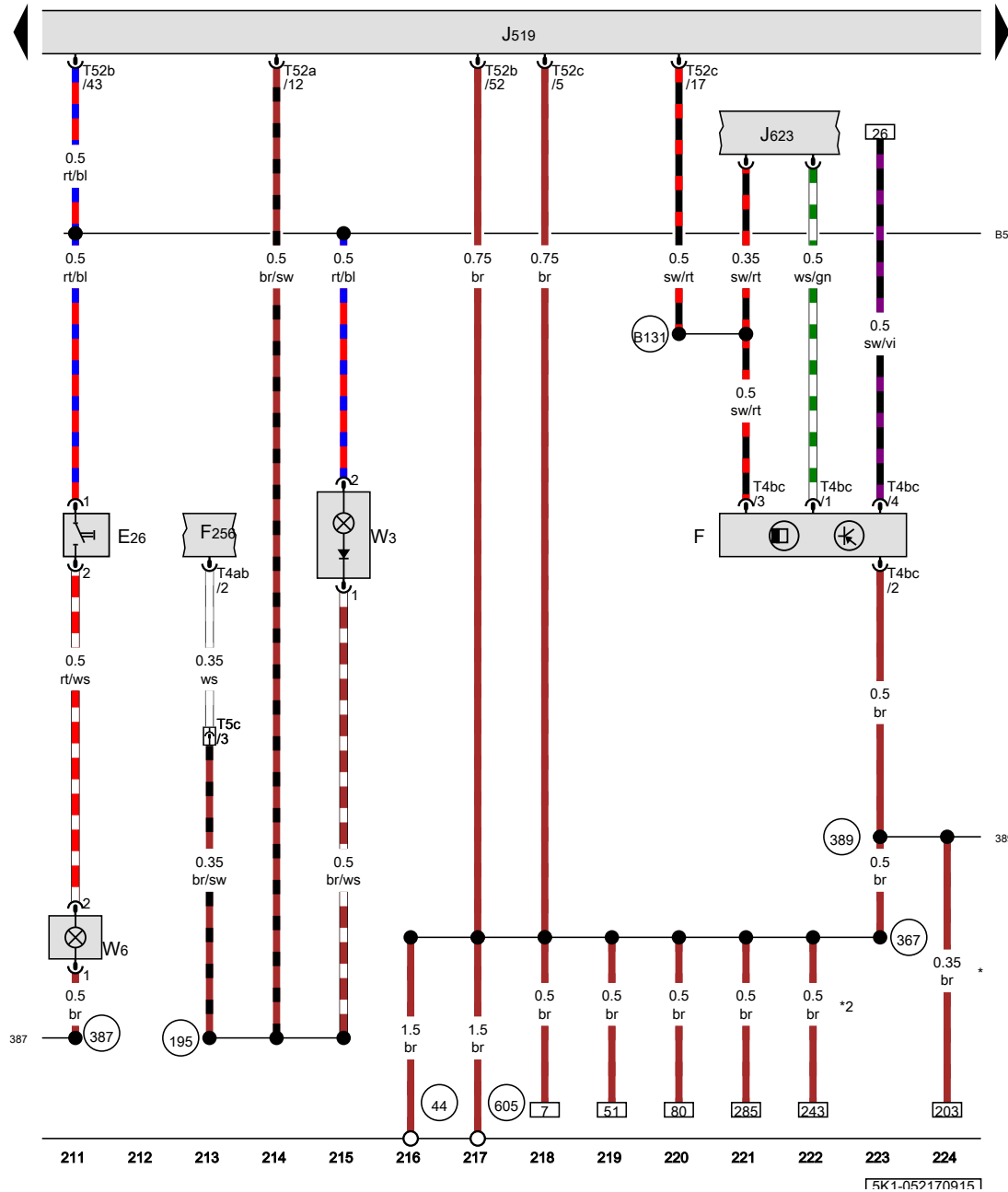
- 387 Ground connection 22 (in main wiring harness)
- B183 Windshield washer pump connection 1 (in interior wiring harness)
- B184 Windshield washer pump connection 2 (in interior wiring harness)
- B528 LIN bus connection 1 (in main wiring harness)
- \* Only for vehicles with rain/light recognition sensor

- ws = white
- sw = black
- ro = red
- rt = red
- br = brown
- gn = green
- bl = blue
- gr = grey
- li = lilac
- vi = lilac
- ge = yellow
- or = orange
- rs = pink

15K1-052160915



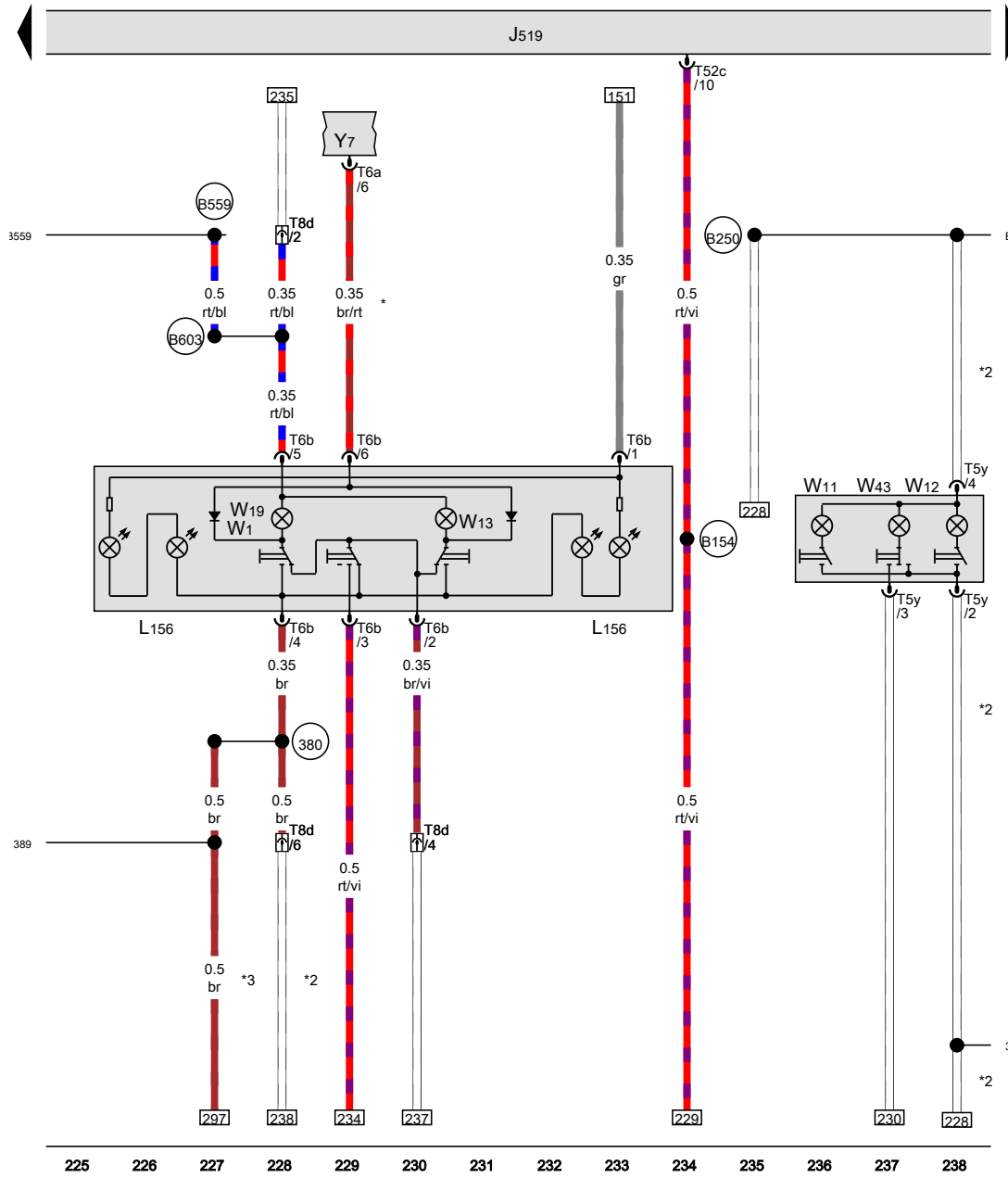
Glove compartment lamp switch, Brake lamp switch, Luggage compartment lamp, Glove compartment lamp



- E26 Glove compartment lamp switch
- F Brake lamp switch
- F256 Rear lid lock unit
- J519 Vehicle electrical control module system
- J623 Engine control module
- T4ab 4-pin connector
- T4bc 4-pin connector
- T5c 5-pin connector, in the left rear side panel
- T52a 52-pin connector
- T52b 52-pin connector
- T52c 52-pin connector
- W3 Luggage compartment lamp
- W6 Glove compartment lamp
- 44 Ground connection on A-pillar, lower left
- 195 Ground connection (in rear door contact switch wiring harness)
- 367 Ground connection 2 (in main wiring harness)
- 387 Ground connection 22 (in main wiring harness)
- 389 Ground connection 24 (in main wiring harness)
- 605 Ground connection on upper steering column
- B131 Connection 54 (in interior wiring harness)
- B559 Positive connection 1 (30g) (in main wiring harness)
- \* Only for vehicles with rain/light recognition sensor
- \*2 Only for vehicles with footwell lamp

- ws = white
- sw = black
- ro = red
- rt = red
- br = brown
- gn = green
- bl = blue
- gr = grey
- li = lilac
- vi = lilac
- ge = yellow
- or = orange
- rs = pink

15K1-052170915



Front interior lamp, Left rear reading lamp, Right rear reading lamp, Front passenger reading lamp, Driver reading lamp, Rear interior lamp

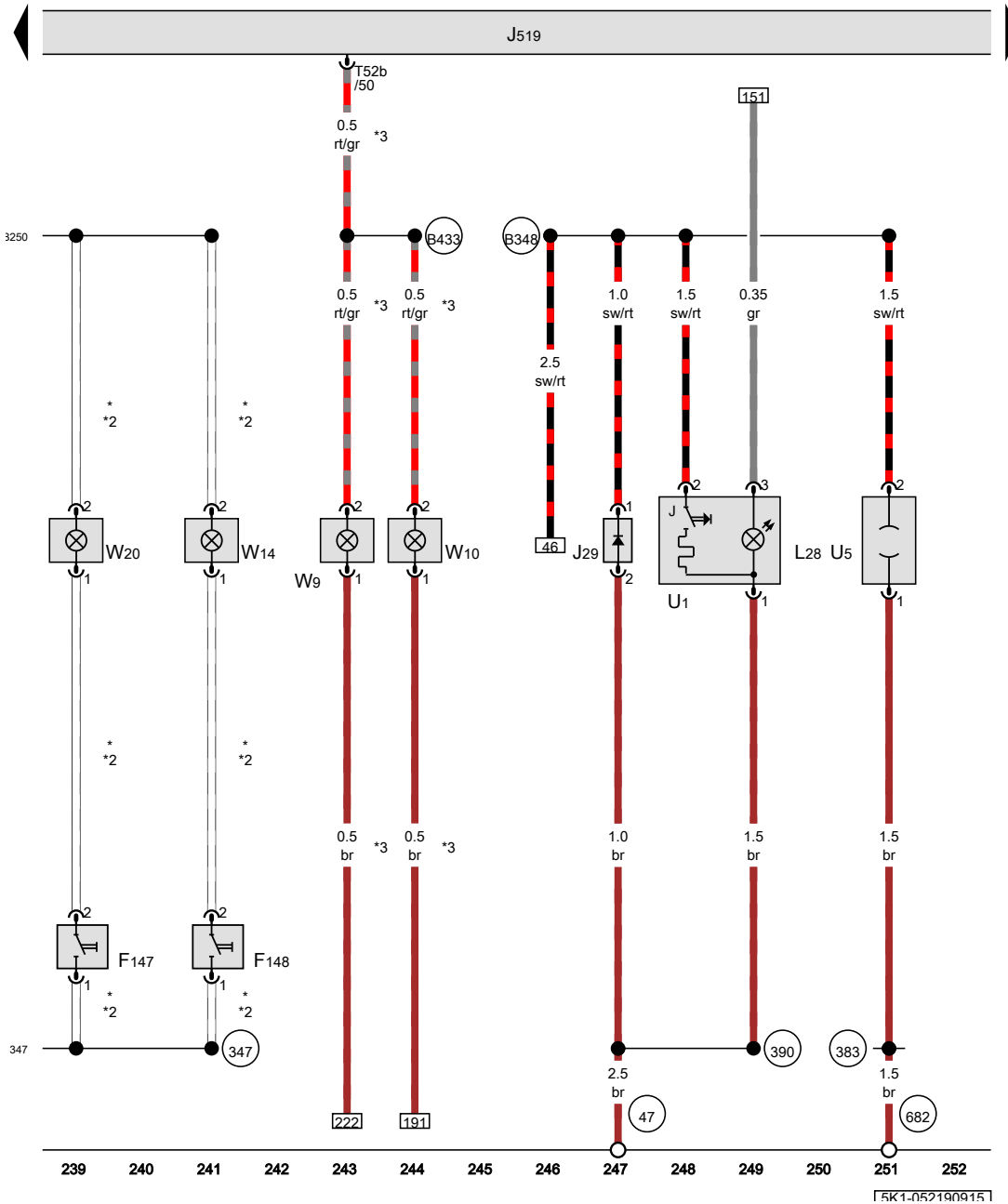
- J519 Vehicle electrical control module system
- L156 Switch illumination bulb
- T5y 5-pin connector
- T6a 6-pin connector
- T6b 6-pin connector
- T8d 8-pin connector, near the front interior lamp
- T52c 52-pin connector
- W1 Front interior lamp
- W11 Left rear reading lamp
- W12 Right rear reading lamp
- W13 Front passenger reading lamp
- W19 Driver reading lamp
- W43 Rear interior lamp
- Y7 Automatic dimming interior rearview mirror

- 347 Ground connection (in roof wiring harness)
- 380 Ground connection 15 (in main wiring harness)
- 389 Ground connection 24 (in main wiring harness)
- B154 Connection TK (in interior wiring harness) 1
- B250 Positive connection (in roof wiring harness)
- B559 Positive connection 1 (30g) (in main wiring harness)
- B603 Positive connection 2 (30g) (in main wiring harness)

- \* Only for vehicles with automatic dimming interior rearview mirror
- \*2 Flat conductor
- \*3 Only for vehicles with brake pad wear indicator

- ws = white
- sw = black
- ro = red
- rt = red
- br = brown
- gn = green
- bl = blue
- gr = grey
- li = lilac
- vi = lilac
- ge = yellow
- or = orange
- rs = pink

15K1-052180915



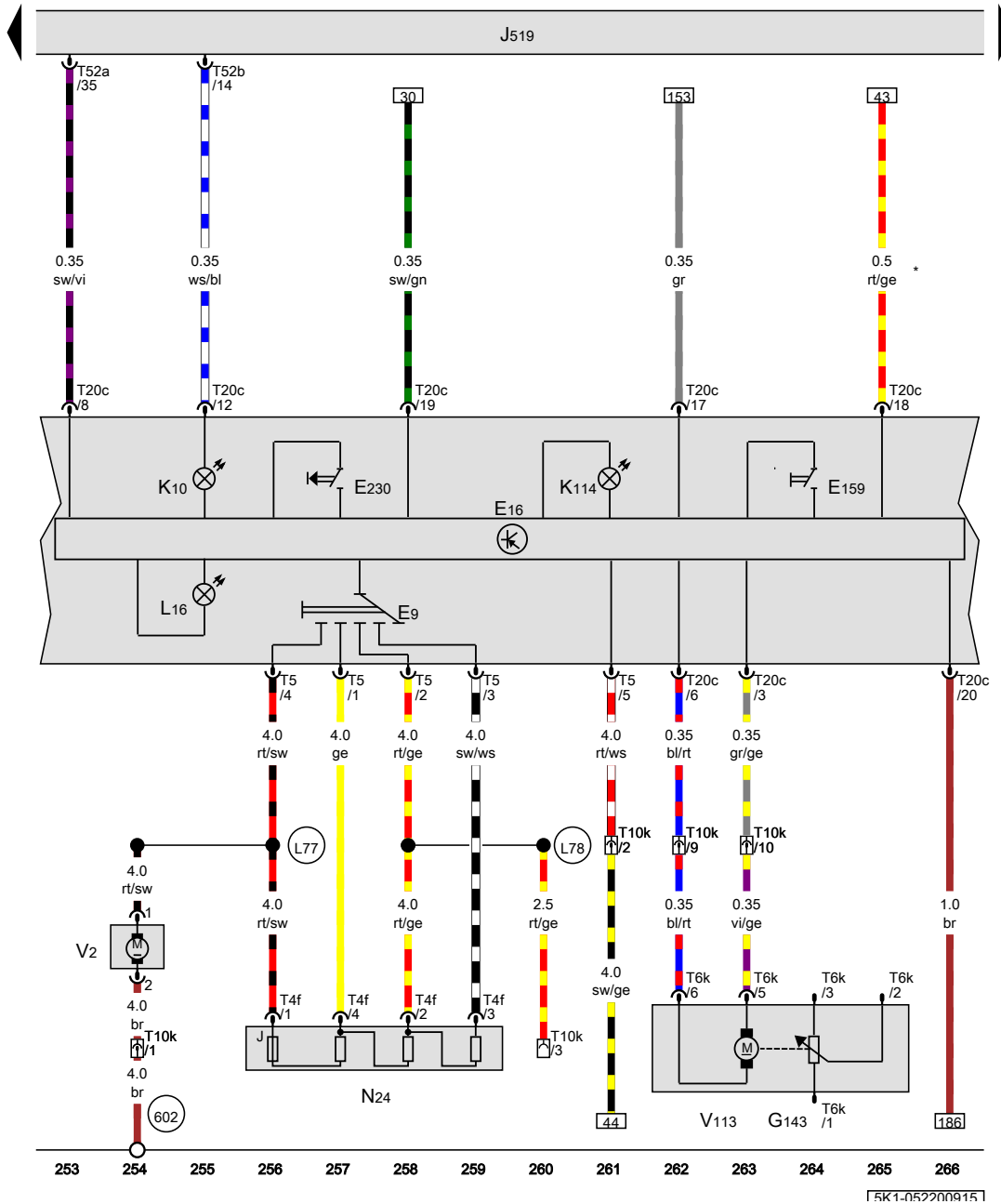
Driver vanity mirror lamp contact switch, Front passenger vanity mirror lamp contact switch, Blocking diode, Cigarette lighter illumination bulb, Cigarette lighter, 12 V socket, Left footwell lamp, Right footwell lamp, Front passenger vanity mirror lamp, Driver vanity mirror lamp

- F147 Driver vanity mirror lamp contact switch
- F148 Front passenger vanity mirror lamp contact switch
- J29 Blocking diode
- J519 Vehicle electrical control module system
- L28 Cigarette lighter illumination bulb
- T52b 52-pin connector
- U1 Cigarette lighter
- U5 12 V socket
- W9 Left footwell lamp
- W10 Right footwell lamp
- W14 Front passenger vanity mirror lamp
- W20 Driver vanity mirror lamp
- 47 Ground connection in right front footwell
- 347 Ground connection (in roof wiring harness)
- 383 Ground connection 18 (in main wiring harness)
- 390 Ground connection 25 (in main wiring harness)
- 682 Ground connection 2 in right rear side panel
- B250 Positive connection (in roof wiring harness)
- B348 Connection 75a (in main wiring harness) 1
- B433 Footwell illumination connection (in main wiring harness)

ws = white  
 sw = black  
 ro = red  
 rt = red  
 br = brown  
 gn = green  
 bl = blue  
 gr = grey  
 li = lilac  
 vi = lilac  
 ge = yellow  
 or = orange  
 rs = pink

\* Only for vehicles with illuminated vanity mirror  
 \*2 Flat conductor  
 \*3 Only for vehicles with footwell lamp

15K1-052190915



Fresh air blower switch, Heater/heat output switch, Fresh air blower series resistor with fuse, Fresh air blower, Recirculation door motor

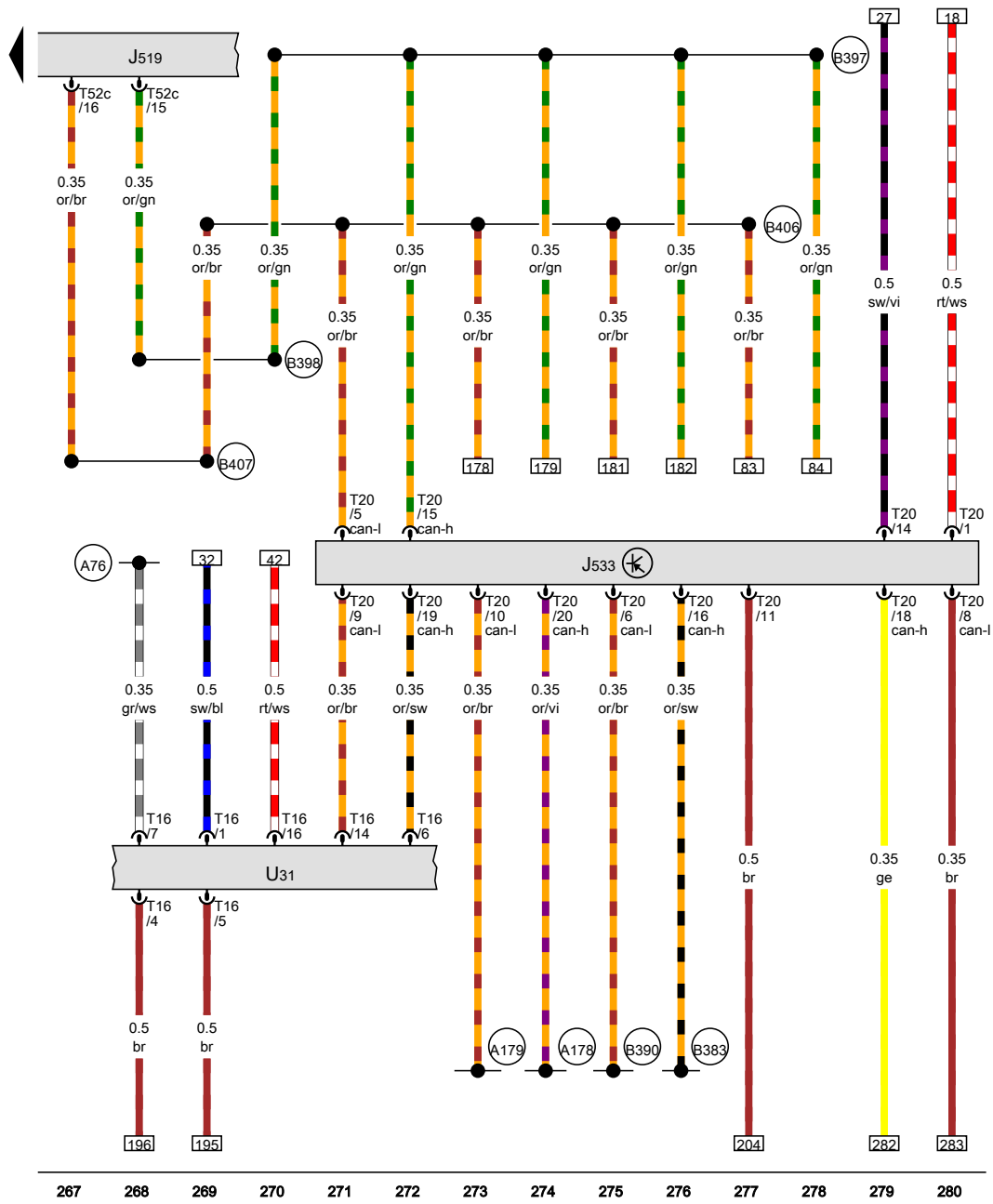
- E9 Fresh air blower switch
- E16 Heater/heat output switch, in the engine compartment, right
- E159 Fresh air/recirculation door switch
- E230 Rear window defogger button
- G143 Recirculation door motor position sensor
- J519 Vehicle electrical control module system
- K10 Rear window defogger indicator lamp
- K114 Fresh air and recirculation mode indicator lamp
- L16 Fresh air control illumination bulb
- N24 Fresh air blower series resistor with fuse
- T4f 4-pin connector
- T5 5-pin connector
- T6k 6-pin connector
- T10k 10-pin connector, behind the instrument panel, right
- T20c 20-pin connector
- T52a 52-pin connector
- T52b 52-pin connector
- V2 Fresh air blower
- V113 Recirculation door motor

- 602 Ground connection in left front footwell
- L77 Connection (in fresh air blower wiring harness)
- L78 Connection 1 (in fresh air blower wiring harness)

\* Only for vehicles with auxiliary coolant heater

- ws = white
- sw = black
- ro = red
- rt = red
- br = brown
- gn = green
- bl = blue
- gr = grey
- li = lilac
- vi = lilac
- ge = yellow
- or = orange
- rs = pink

15K1-052200915



Data bus on board diagnostic interface, Diagnostic connection

- J519 Vehicle electrical control module system
- J533 Data bus on board diagnostic interface, in the left footwell, near the center console
- T16 16-pin connector
- T20 20-pin connector
- T52c 52-pin connector
- U31 Diagnostic connection

- A76 KS-diagnostic lead connection (in instrument panel wiring harness)
- A178 Infotainment CAN bus high connection (in instrument panel wiring harness)
- A179 Infotainment CAN bus low connection (in instrument panel wiring harness)
- B383 Powertrain CAN bus high connection 1 (in main wiring harness)
- B390 Powertrain CAN bus low connection 1 (in main wiring harness)
- B397 Comfort system CAN bus high connection 1 (in main wiring harness)
- B398 Comfort system CAN bus high connection 2 (in main wiring harness)
- B406 Comfort system CAN bus low connection 1 (in main wiring harness)
- B407 Comfort system CAN bus low connection 2 (in main wiring harness)

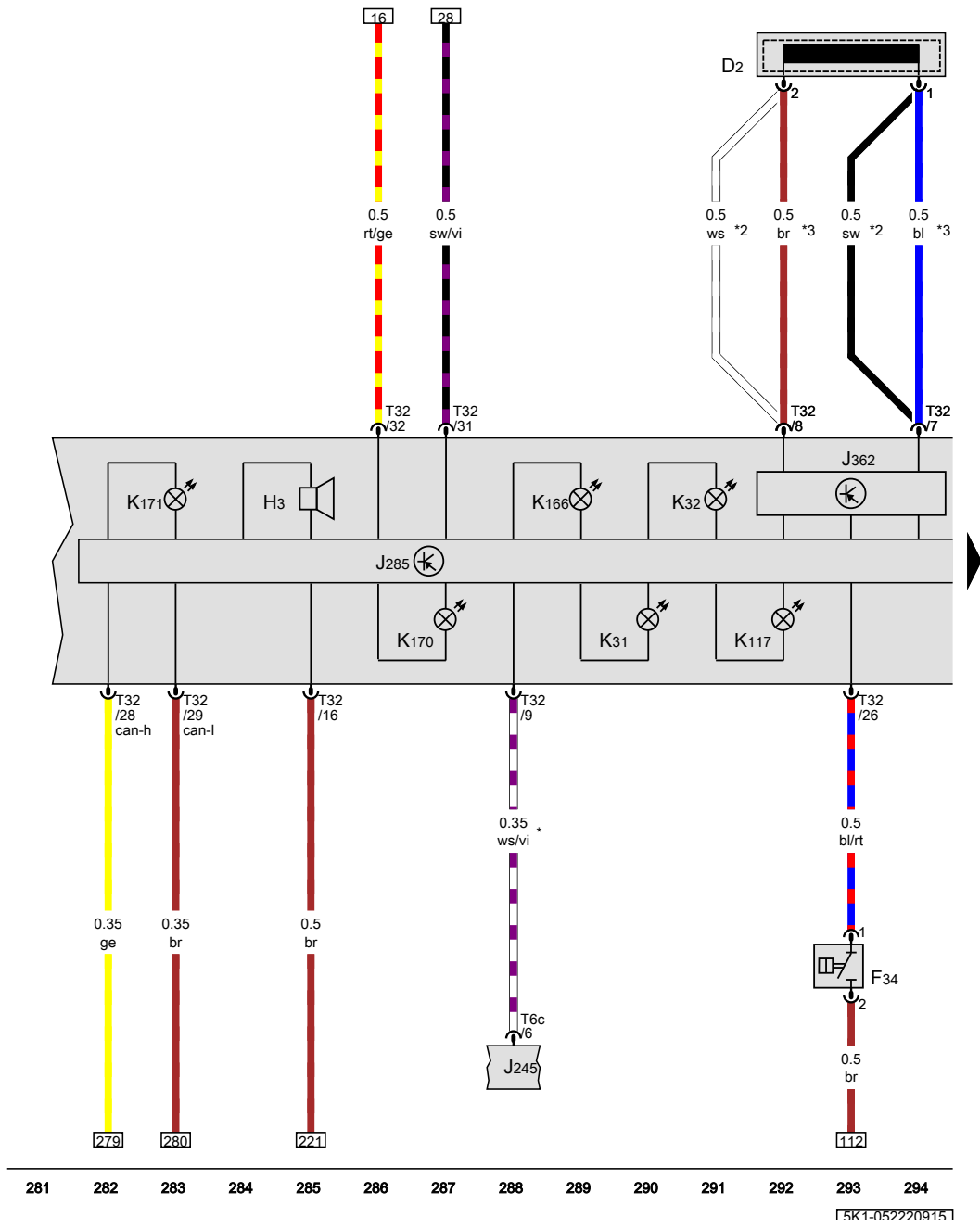
- ws = white
- sw = black
- ro = red
- rt = red
- br = brown
- gn = green
- bl = blue
- gr = grey
- li = lilac
- vi = lilac
- ge = yellow
- or = orange
- rs = pink

267 268 269 270 271 272 273 274 275 276 277 278 279 280

15K1-0522109151

Anti-theft immobilizer reader coil, Brake fluid level warning switch, Warning buzzer and tone, Instrument cluster control module, Cruise control indicator lamp, Anti-theft immobilizer indicator lamp, Door ajar indicator lamp, Lamp failure indicator lamp, Hood -open- indicator lamp

- D2 Anti-theft immobilizer reader coil
- F34 Brake fluid level warning switch
- H3 Warning buzzer and tone
- J245 Power sunroof control module
- J285 Instrument cluster control module
- J362 Anti-theft immobilizer control module
- K31 Cruise control indicator lamp
- K32 Brake pad wear indicator lamp
- K117 Anti-theft immobilizer indicator lamp
- K166 Door ajar indicator lamp
- K170 Lamp failure indicator lamp
- K171 Hood -open- indicator lamp
- T6c 6-pin connector
- T32 32-pin connector
- \* Speed signal
- \*2 only for vehicles with access/start authorization system
- \*3 Only for vehicles without access/start authorization system



15K1-052220915

Parking brake indicator lamp switch, Tachometer, Speedometer, Windshield washer fluid level sensor, Left front brake pad wear sensor, Instrument cluster control module, High beam indicator lamp, Windshield washer fluid level indicator lamp

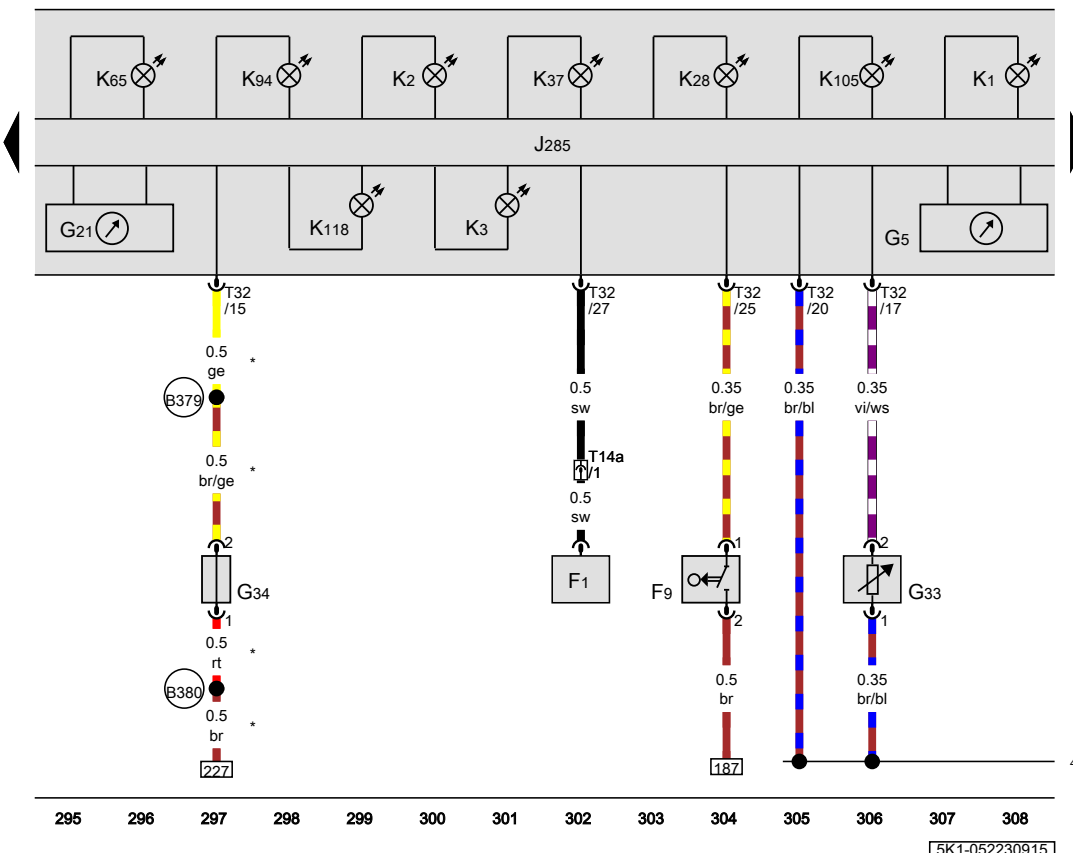
- F1 Oil pressure switch
- F9 Parking brake indicator lamp switch
- G5 Tachometer
- G21 Speedometer
- G33 Windshield washer fluid level sensor
- G34 Left front brake pad wear sensor
- J285 Instrument cluster control module
- K1 High beam indicator lamp
- K2 Generator indicator lamp
- K3 Oil pressure indicator lamp
- K28 Engine coolant level/temperature indicator lamp
- K37 Windshield washer fluid level indicator lamp
- K65 Indicator lamp for left turn signal
- K94 Right turn signal indicator lamp
- K105 Low fuel level indicator lamp
- K118 Brake system indicator lamp
- T14a 14-pin connector, near the battery
- T32 32-pin connector

410 Sensor ground connection 1 (in main wiring harness)

B379 Brake wear indicator connection 1 (in main wiring harness)

B380 Brake wear indicator connection 2 (in main wiring harness)

\* Only for vehicles with brake pad wear indicator

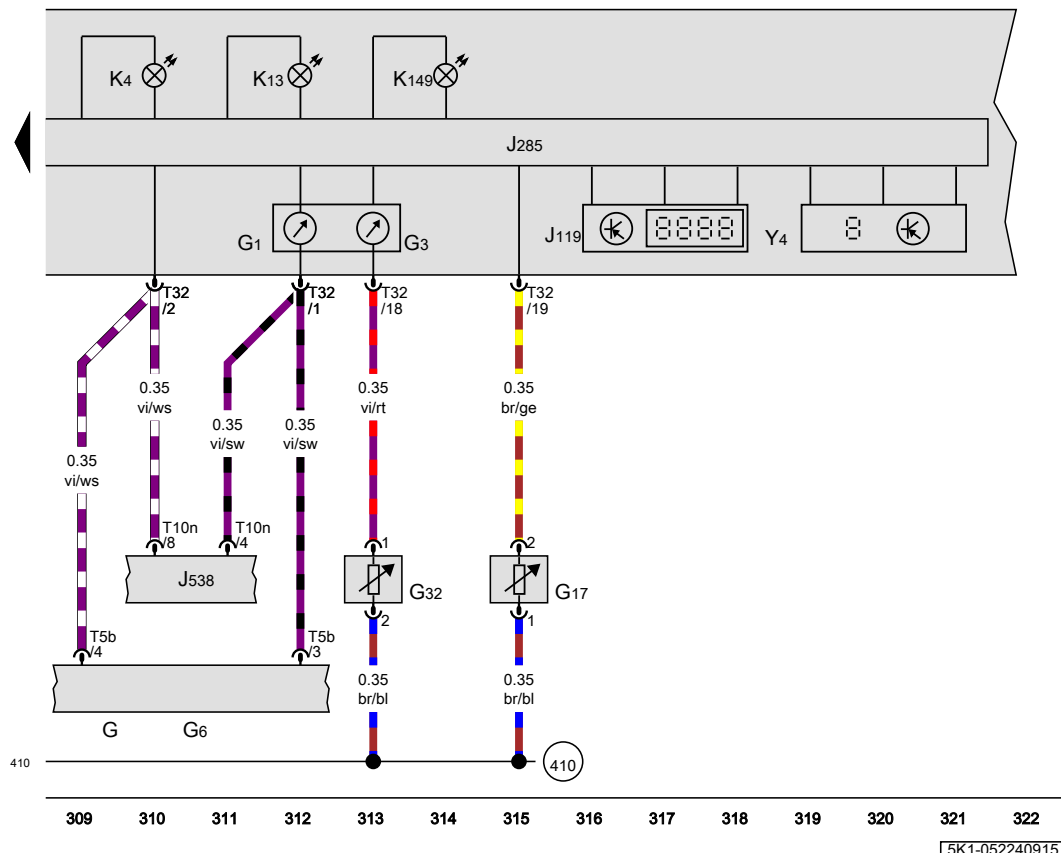


- ws = white
- sw = black
- ro = red
- rt = red
- br = brown
- gn = green
- bl = blue
- gr = grey
- li = lilac
- vi = lilac
- ge = yellow
- or = orange
- rs = pink

Fuel gauge, Engine coolant temperature gauge, Outside air temperature sensor, Engine coolant level sensor, Multifunction indicator, Instrument cluster control module, Position lamp indicator lamp, Rear fog lamp indicator lamp, Engine electronics indicator lamp, Odometer display

- G Fuel level sensor
- G1 Fuel gauge
- G3 Engine coolant temperature gauge
- G6 Transfer fuel pump
- G17 Outside air temperature sensor
- G32 Engine coolant level sensor
- J119 Multifunction indicator
- J285 Instrument cluster control module
- J538 Fuel pump control module
- K4 Position lamp indicator lamp
- K13 Rear fog lamp indicator lamp
- K149 Engine electronics indicator lamp
- T5b 5-pin connector
- T10n 10-pin connector
- T32 32-pin connector
- Y4 Odometer display

410 Sensor ground connection 1 (in main wiring harness)



- ws = white
- sw = black
- ro = red
- rt = red
- br = brown
- gn = green
- bl = blue
- gr = grey
- li = lilac
- vi = lilac
- ge = yellow
- or = orange
- rs = pink



**Comfort system (NAR) , (0A1)**

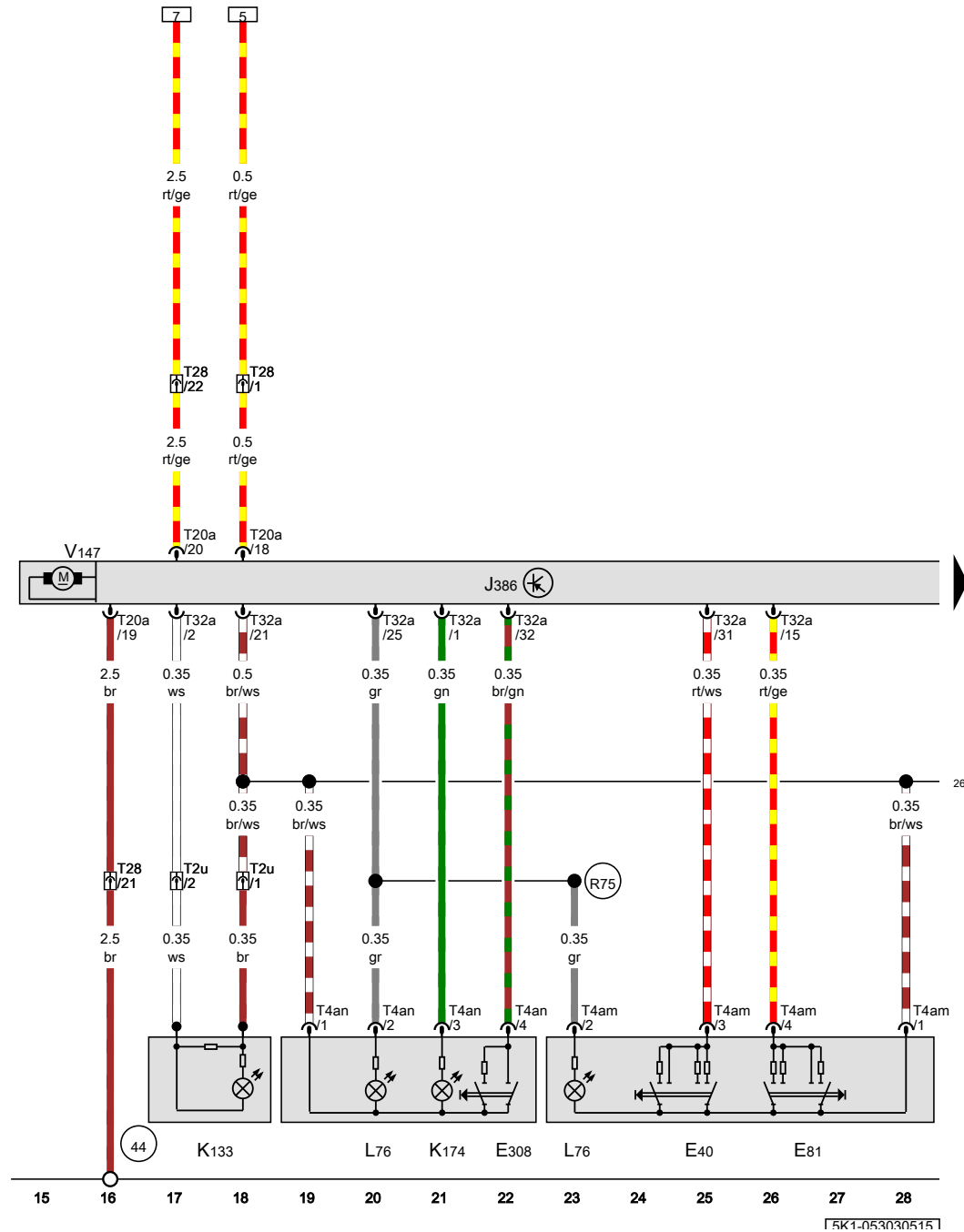
from July 2008



Left front window regulator switch, Right front power window switch in driver door, Driver interior locking button, Driver door control module, Central locking -SAFE- indicator lamp, Driver window regulator motor

- E40 Left front window regulator switch
- E81 Right front power window switch in driver door
- E308 Driver interior locking button
- J386 Driver door control module
- K133 Central locking -SAFE- indicator lamp
- K174 Driver interior locking indicator lamp
- L76 Push button illumination bulb
- T2u Double connector, in the driver door
- T4am 4-pin connector
- T4an 4-pin connector
- T20a 20-pin connector
- T28 28-pin connector, in the left A-pillar connector station
- T32a 32-pin connector
- V147 Driver window regulator motor

- 44 Ground connection on A-pillar, lower left
- 267 Ground connection 2 (in driver door wiring harness)
- R75 Connection 58d (in door control module wiring harness) 1

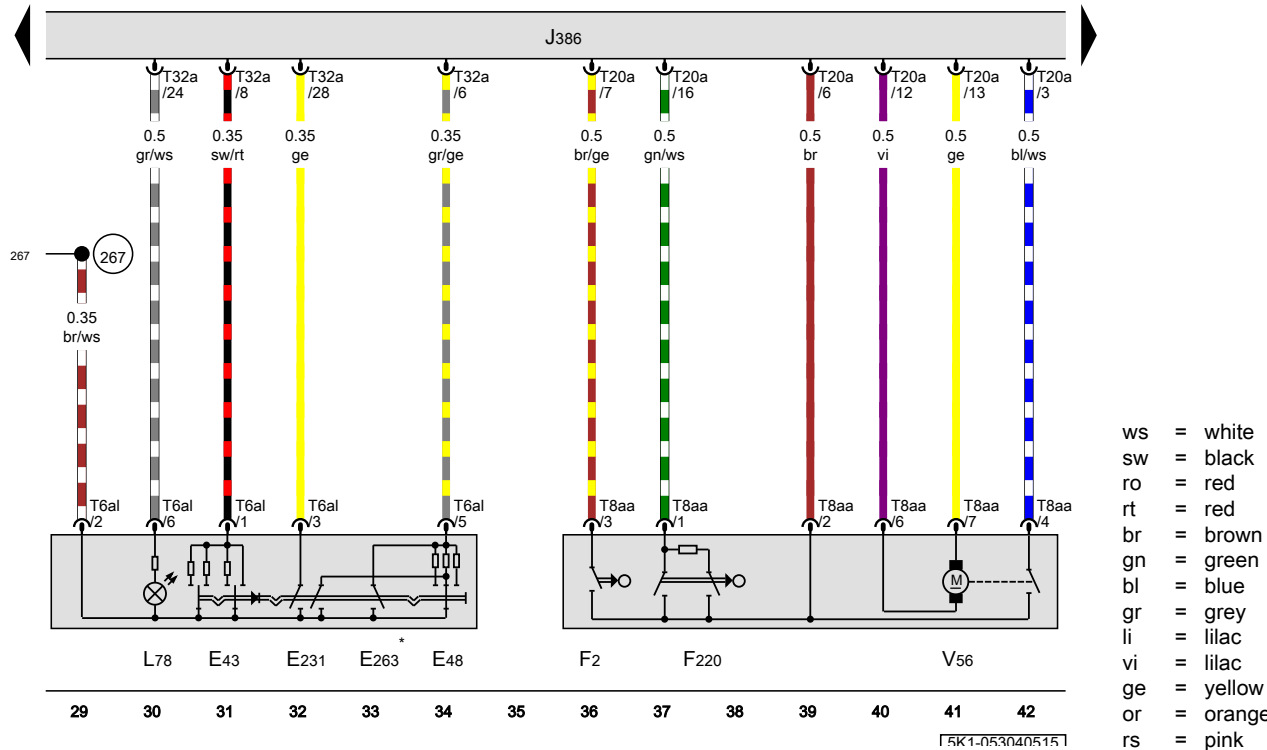


- ws = white
- sw = black
- ro = red
- rt = red
- br = brown
- gn = green
- bl = blue
- gr = grey
- li = lilac
- vi = lilac
- ge = yellow
- or = orange
- rs = pink

Г5К1-053030515

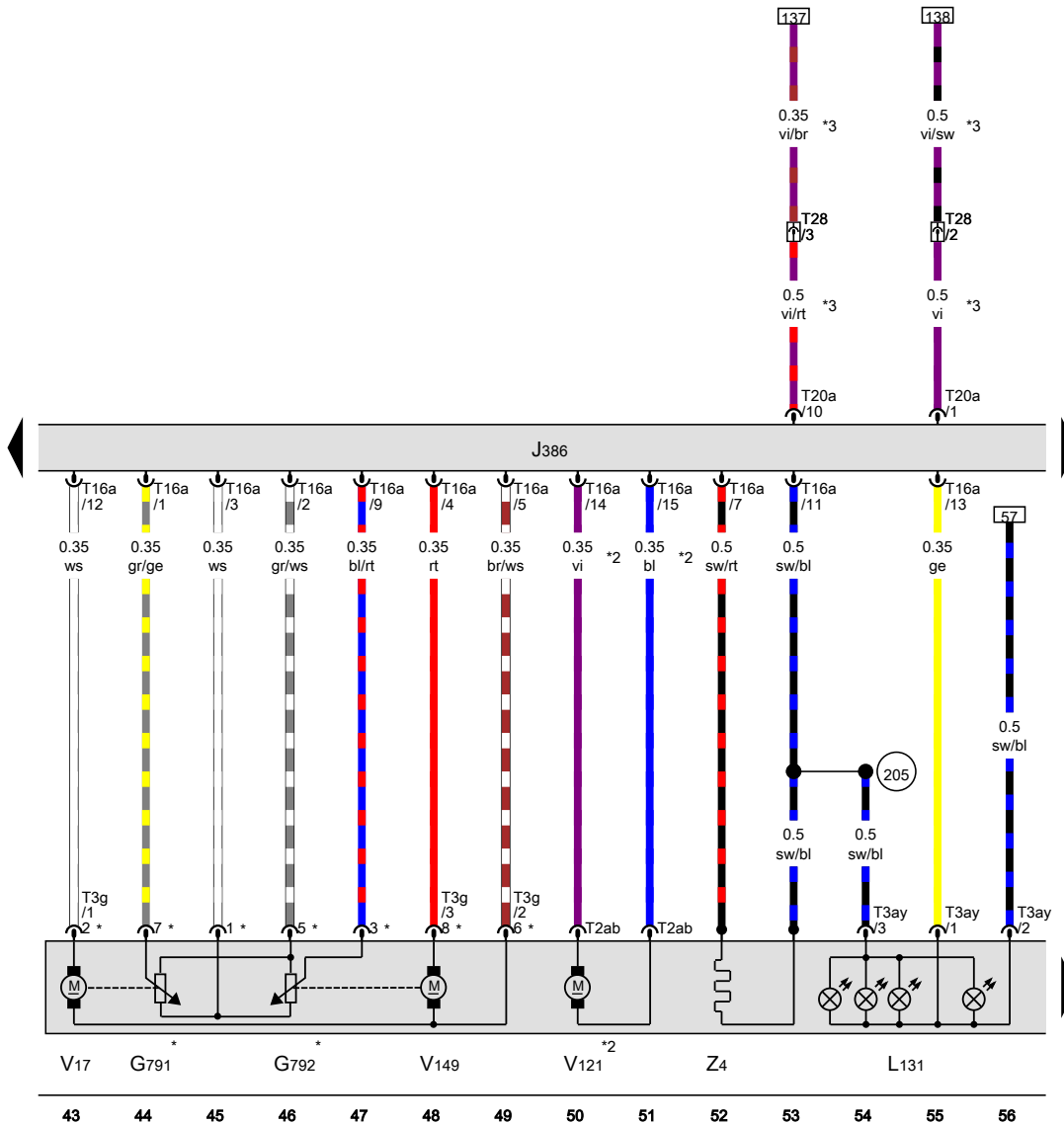
Mirror adjusting switch, Mirror selector switch, Exterior rearview mirror heating switch, Mirror folding switch, Driver door contact switch, Driver central locking lock unit, Driver door control module, Driver door central locking system motor

- E43 Mirror adjusting switch
  - E48 Mirror selector switch
  - E231 Exterior rearview mirror heating switch
  - E263 Mirror folding switch
  - F2 Driver door contact switch
  - F220 Driver central locking lock unit
  - J386 Driver door control module
  - L78 Mirror adjustment switch illumination bulb
  - T6al 6-pin connector
  - T8aa 8-pin connector
  - T20a 20-pin connector
  - T32a 32-pin connector
  - V56 Driver door central locking system motor
- 267 Ground connection 2 (in driver door wiring harness)
- \* Only for vehicles with folding mirrors



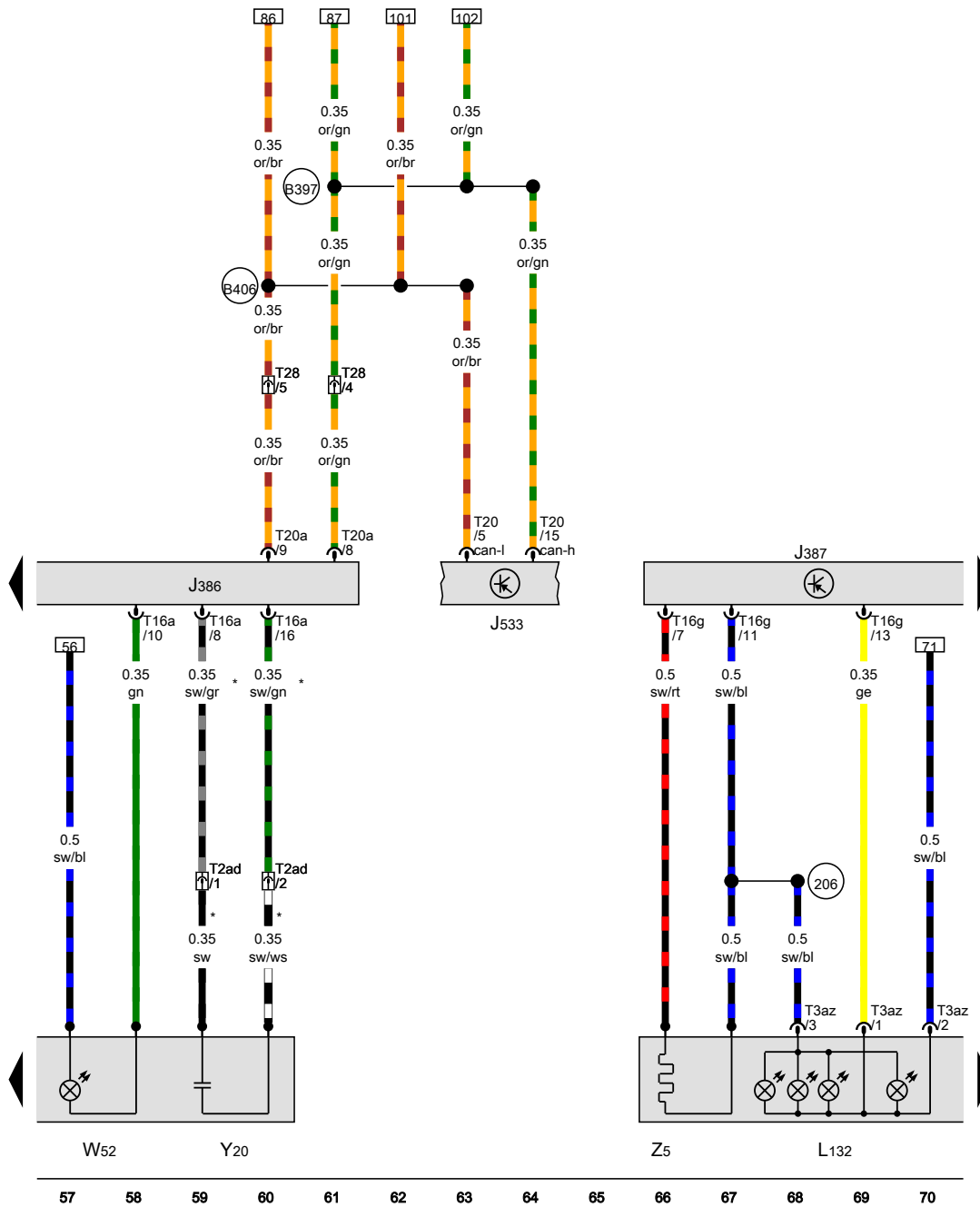
Exterior rearview mirror horizontal adjustment position sensor, Exterior rearview mirror vertical adjustment position sensor, Driver door control module, Driver exterior rearview mirror turn signal bulb, Driver mirror adjustment motor 2, Driver exterior rearview mirror folding motor, Heated driver exterior rearview mirror

- G791 Exterior rearview mirror horizontal adjustment position sensor
- G792 Exterior rearview mirror vertical adjustment position sensor
- J386 Driver door control module
- L131 Driver exterior rearview mirror turn signal bulb
- T2ab Double connector
- T3ay 3-pin connector
- T3g 3-pin connector
- T16a 16-pin connector
- T20a 20-pin connector
- T28 28-pin connector, in the left A-pillar connector station
- V17 Driver mirror adjustment motor 2
- V121 Driver exterior rearview mirror folding motor
- V149 Driver mirror adjustment motor
- Z4 Heated driver exterior rearview mirror
- 205 Ground connection (in driver door wiring harness)
- \* Depending on equipment
- \*2 Only for vehicles with folding mirrors
- \*3 Only for vehicles with automatic dimming exterior rearview mirror



- ws = white
- sw = black
- ro = red
- rt = red
- br = brown
- gn = green
- bl = blue
- gr = grey
- li = lilac
- vi = lilac
- ge = yellow
- or = orange
- rs = pink

15K1-0530505151



Driver door control module, Front passenger exterior rearview mirror turn signal bulb, Driver entry lamp in exterior rearview mirror, Driver automatic dimming exterior rearview mirror, Heated front passenger exterior rearview mirror

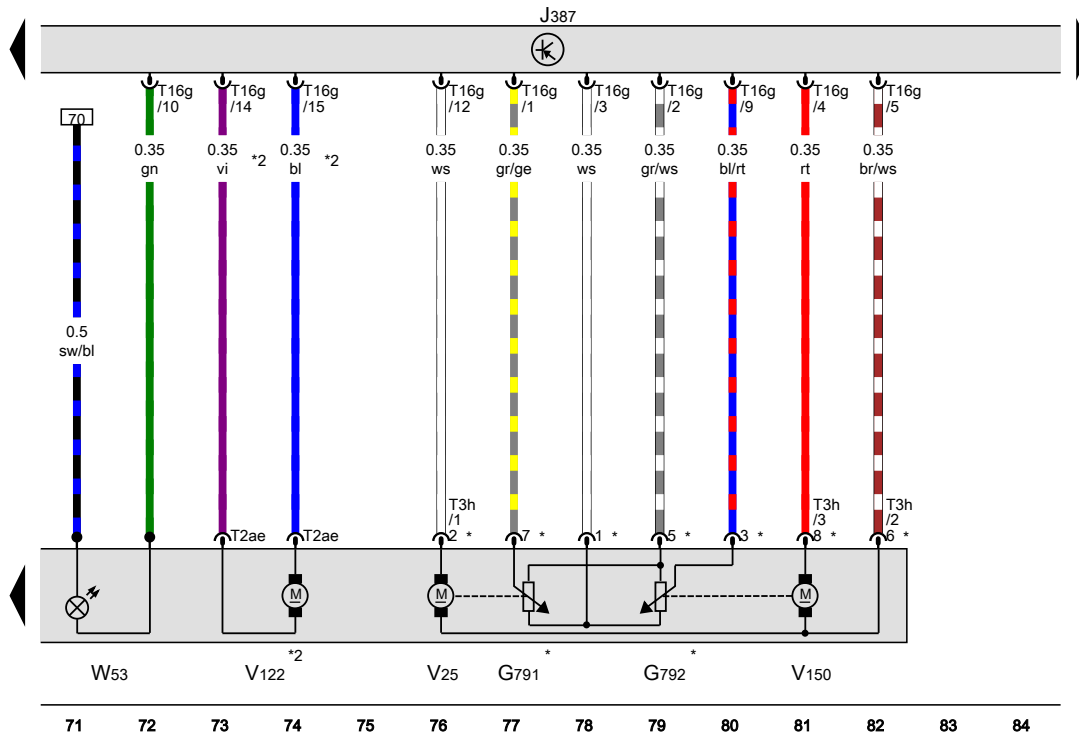
- J386 Driver door control module
- J387 Front passenger door control module
- J533 Data bus on board diagnostic interface
- L132 Front passenger exterior rearview mirror turn signal bulb
- T2ad Double connector, on the mirror
- T3az 3-pin connector
- T16a 16-pin connector
- T16g 16-pin connector
- T20 20-pin connector
- T20a 20-pin connector
- T28 28-pin connector, in the left A-pillar connector station
- W52 Driver entry lamp in exterior rearview mirror
- Y20 Driver automatic dimming exterior rearview mirror
- Z5 Heated front passenger exterior rearview mirror
- 206 Ground connection (in front passenger door wiring harness)
- B397 Comfort system CAN bus high connection 1 (in main wiring harness)
- B406 Comfort system CAN bus low connection 1 (in main wiring harness)
- \* Only for vehicles with automatic dimming exterior rearview mirror

- ws = white
- sw = black
- ro = red
- rt = red
- br = brown
- gn = green
- bl = blue
- gr = grey
- li = lilac
- vi = lilac
- ge = yellow
- or = orange
- rs = pink

15K1-0530605151

Exterior rearview mirror horizontal adjustment position sensor, Exterior rearview mirror vertical adjustment position sensor, Front passenger side mirror adjustment motor 2, Front passenger exterior rearview mirror folding motor, Front passenger entry lamp in exterior rearview mirror

- G791 Exterior rearview mirror horizontal adjustment position sensor
- G792 Exterior rearview mirror vertical adjustment position sensor
- J387 Front passenger door control module
- T2ae Double connector
- T3h 3-pin connector
- T16g 16-pin connector
- V25 Front passenger side mirror adjustment motor 2
- V122 Front passenger exterior rearview mirror folding motor
- V150 Front passenger mirror adjustment motor
- W53 Front passenger entry lamp in exterior rearview mirror
- \* Depending on equipment
- \*2 Only for vehicles with folding mirrors



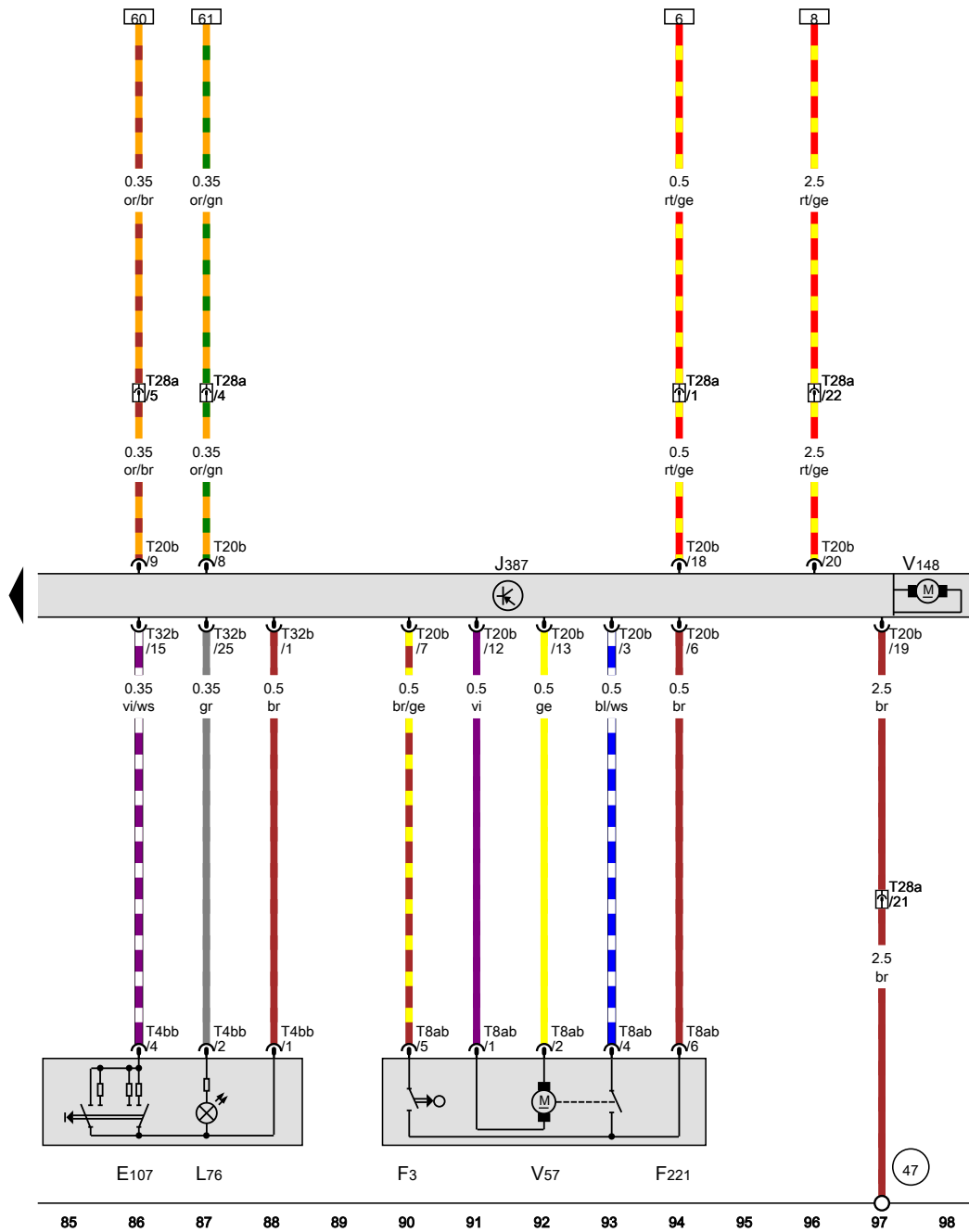
- ws = white
- sw = black
- ro = red
- rt = red
- br = brown
- gn = green
- bl = blue
- gr = grey
- li = lilac
- vi = lilac
- ge = yellow
- or = orange
- rs = pink

15K1-053070515

Front passenger door window regulator switch, Front passenger door contact switch, Front passenger central locking lock unit, Front passenger door central locking system motor, Front passenger window regulator motor

- E107 Front passenger door window regulator switch
- F3 Front passenger door contact switch
- F221 Front passenger central locking lock unit
- J387 Front passenger door control module
- L76 Push button illumination bulb
- T4bb 4-pin connector
- T8ab 8-pin connector
- T20b 20-pin connector
- T28a 28-pin connector, in the connector station, right A-pillar
- T32b 32-pin connector
- V57 Front passenger door central locking system motor
- V148 Front passenger window regulator motor

47 Ground connection in right front footwell

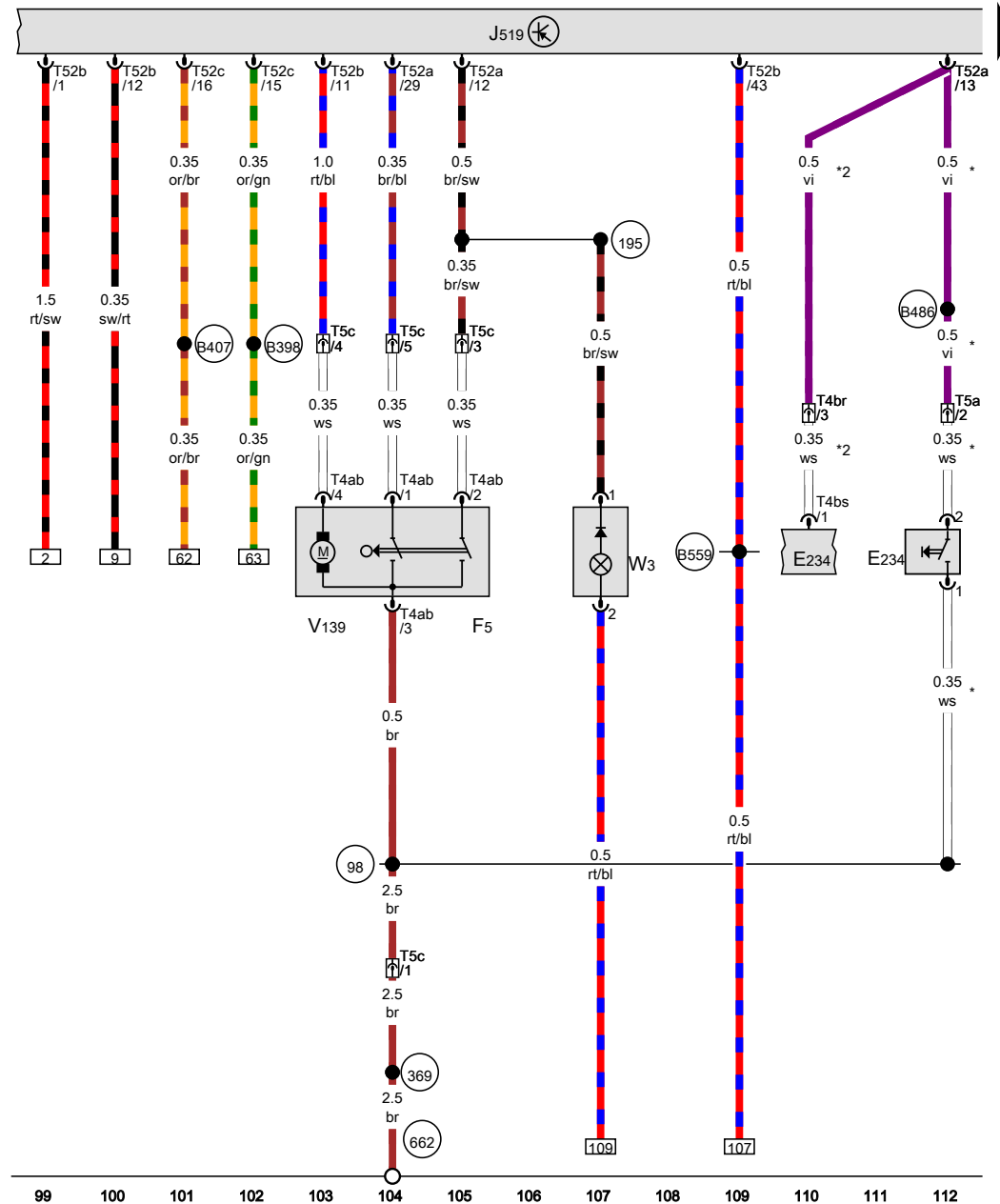


- ws = white
- sw = black
- ro = red
- rt = red
- br = brown
- gn = green
- bl = blue
- gr = grey
- li = lilac
- vi = lilac
- ge = yellow
- or = orange
- rs = pink

15K1-053080515



Release button in rear lid handle, Luggage compartment lamp switch, Rear lid unlock motor, Luggage compartment lamp



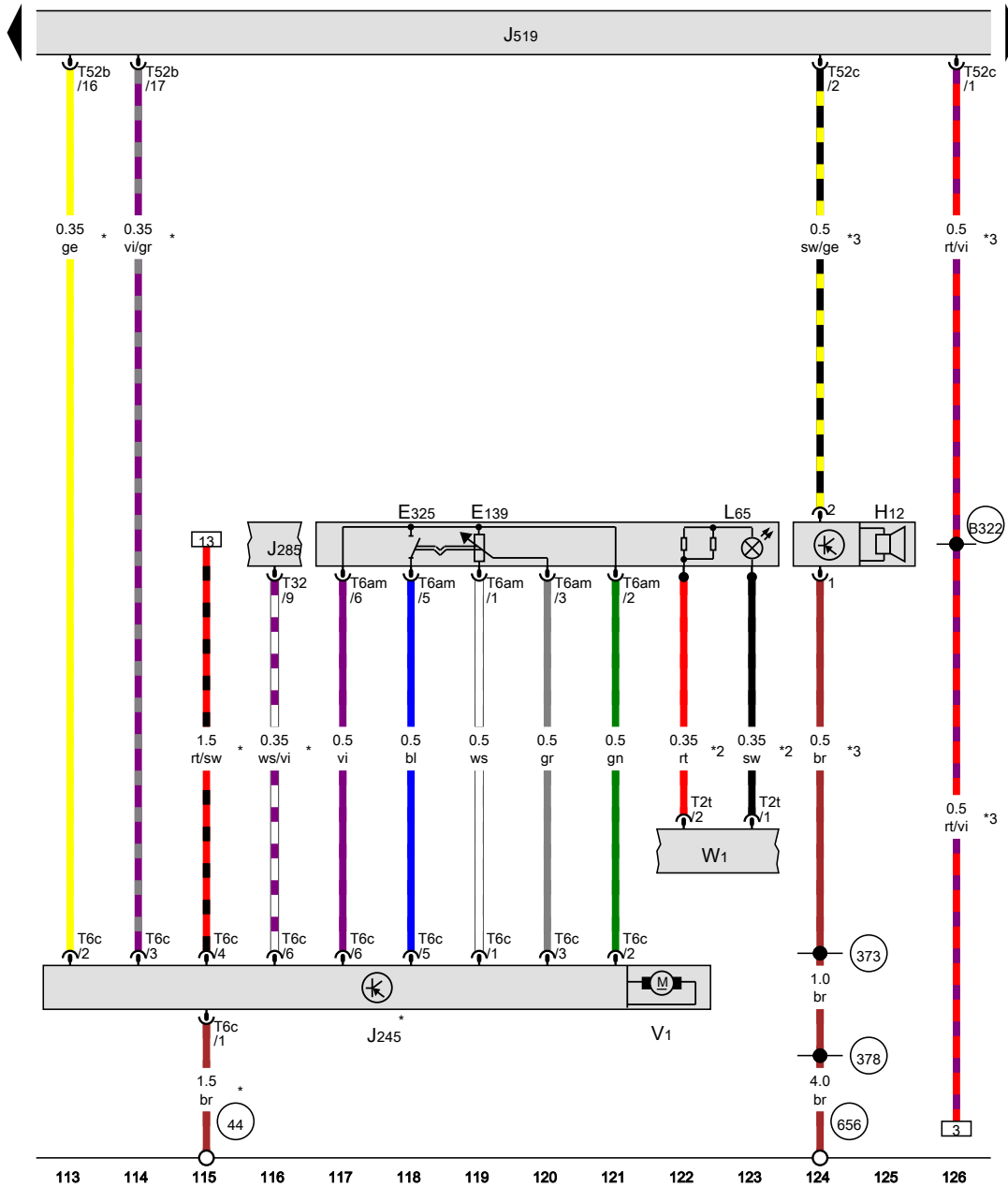
- E234 Release button in rear lid handle
- F5 Luggage compartment lamp switch
- J519 Vehicle electrical control module system
- T4ab 4-pin connector
- T4br 4-pin connector, behind the right C-pillar trim panel
- T4bs 4-pin connector
- T5a 5-pin connector, in the left rear side panel
- T5c 5-pin connector, in the left rear side panel
- T52a 52-pin connector
- T52b 52-pin connector
- T52c 52-pin connector
- V139 Rear lid unlock motor
- W3 Luggage compartment lamp
- 98 Ground connection (in rear lid wiring harness)
- 195 Ground connection (in rear door contact switch wiring harness)
- 369 Ground connection 4 (in main wiring harness)
- 662 Ground connection in left rear side panel
- 398 Comfort system CAN bus high connection 2 (in main wiring harness)
- 407 Comfort system CAN bus low connection 2 (in main wiring harness)
- 486 Connection 22 (in main wiring harness)
- 559 Positive connection 1 (30g) (in main wiring harness)

\* Only for vehicles without a rearview camera system  
 \*2 Only for vehicles with a rearview camera system

ws = white  
 sw = black  
 ro = red  
 rt = red  
 br = brown  
 gn = green  
 bl = blue  
 gr = grey  
 li = lilac  
 vi = lilac  
 ge = yellow  
 or = orange  
 rs = pink

15K1-053090515

Sunroof adjustment regulator, Sunroof button, Alarm horn, Power sunroof control module, Sunroof motor, Front interior lamp



- E139 Sunroof adjustment regulator
- E325 Sunroof button
- H12 Alarm horn
- J245 Power sunroof control module
- J285 Instrument cluster control module
- J519 Vehicle electrical control module system
- L65 Sunroof switch illumination bulb
- T2t Double connector
- T6am 6-pin connector
- T6c 6-pin connector
- T32 32-pin connector
- T52b 52-pin connector
- T52c 52-pin connector
- V1 Sunroof motor
- W1 Front interior lamp

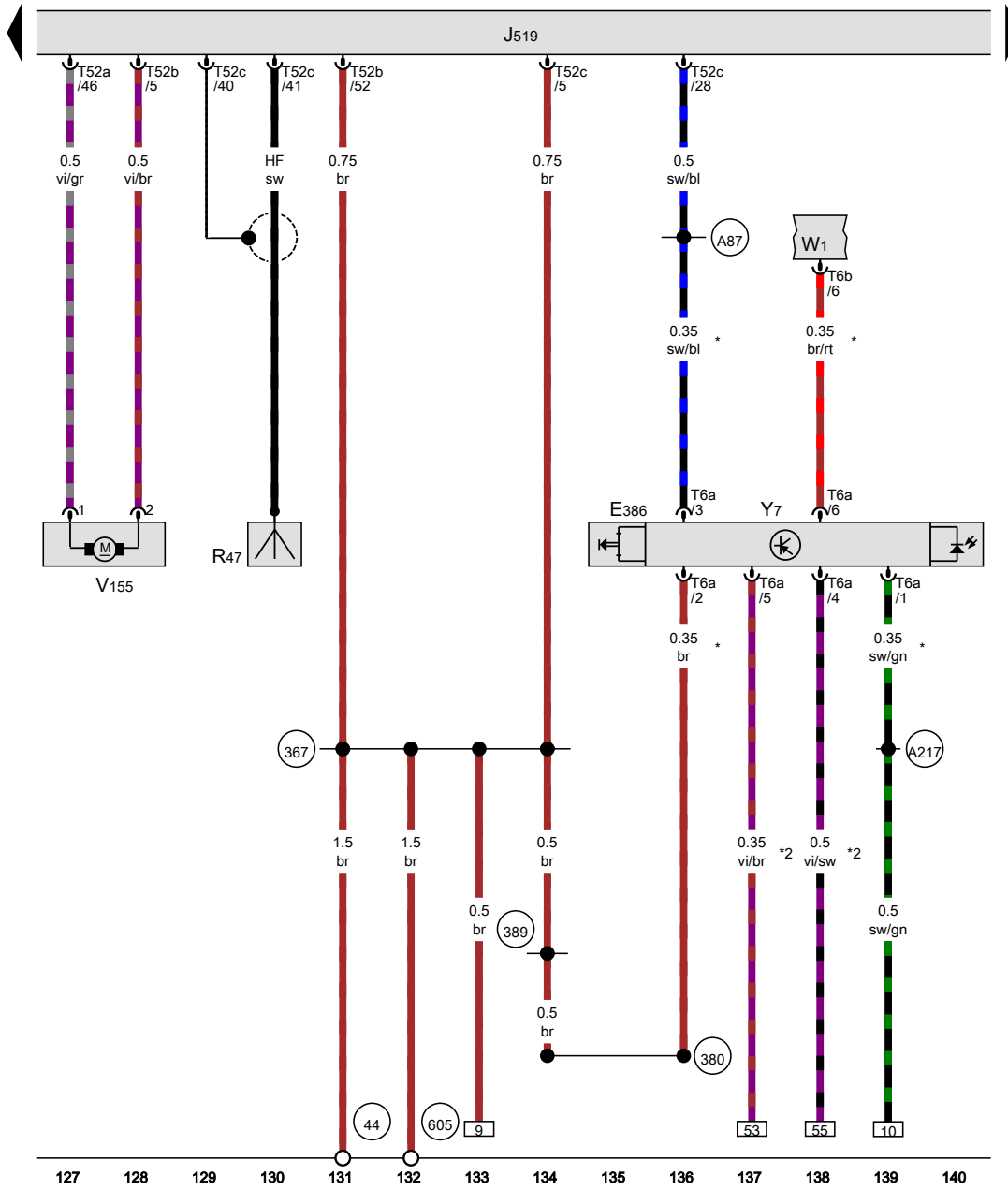
- 44 Ground connection on A-pillar, lower left
- 373 Ground connection 8 (in main wiring harness)
- 378 Ground connection 13 (in main wiring harness)
- 656 Ground connection on right headlamp
- B322 Positive connection 8 (30a) (in main wiring harness)

- \* Only for vehicles with a sunroof through April 2009
- \*2 For vehicles with anti-theft alarm system
- \*3 For vehicles with anti-theft alarm system

- ws = white
- sw = black
- ro = red
- rt = red
- br = brown
- gn = green
- bl = blue
- gr = grey
- li = lilac
- vi = lilac
- ge = yellow
- or = orange
- rs = pink

15K1-0531005151

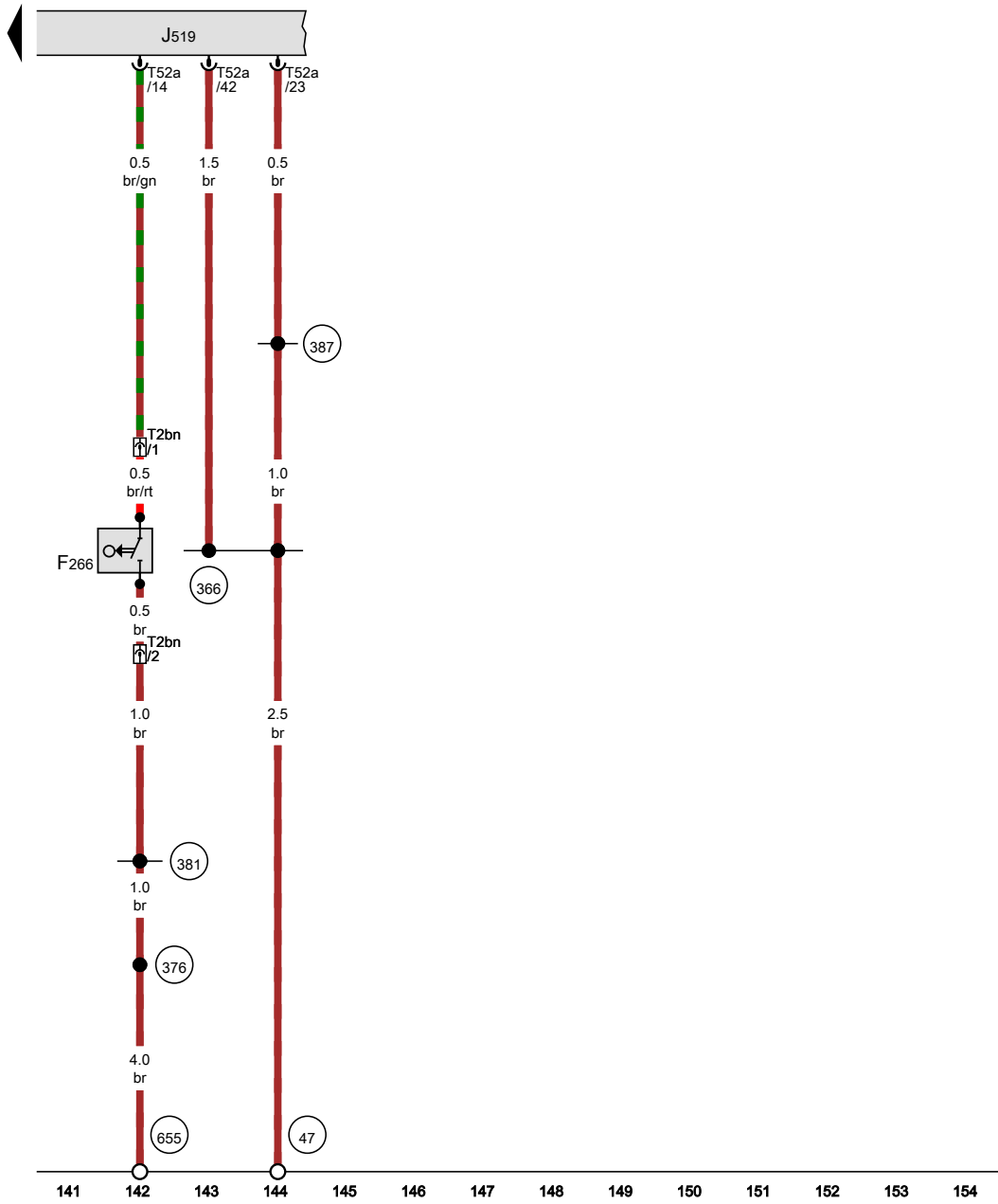
Automatic dimming interior rearview mirror switch, Central locking and anti-theft alarm system antenna, Fuel filler door unlock motor, Automatic dimming interior rearview mirror



- E386 Automatic dimming interior rearview mirror switch
- J519 Vehicle electrical control module system
- R47 Central locking and anti-theft alarm system antenna
- T6a 6-pin connector
- T6b 6-pin connector
- T52a 52-pin connector
- T52b 52-pin connector
- T52c 52-pin connector
- V155 Fuel filler door unlock motor
- W1 Front interior lamp
- Y7 Automatic dimming interior rearview mirror
- 44 Ground connection on A-pillar, lower left
- 367 Ground connection 2 (in main wiring harness)
- 380 Ground connection 15 (in main wiring harness)
- 389 Ground connection 24 (in main wiring harness)
- 605 Ground connection on upper steering column
- A87 Back-up lamp connection (in instrument panel wiring harness)
- A217 Positive connection 8 (15a) (in instrument panel wiring harness)
- \* Only for vehicles with automatic dimming interior rearview mirror
- \*2 Only for vehicles with automatic dimming exterior rearview mirror

- ws = white
- sw = black
- ro = red
- rt = red
- br = brown
- gn = green
- bl = blue
- gr = grey
- li = lilac
- vi = lilac
- ge = yellow
- or = orange
- rs = pink

15K1-053110515



Engine hood contact switch

- F266 Engine hood contact switch
- J519 Vehicle electrical control module system
- T2bn Double connector, near the left headlamp
- T52a 52-pin connector

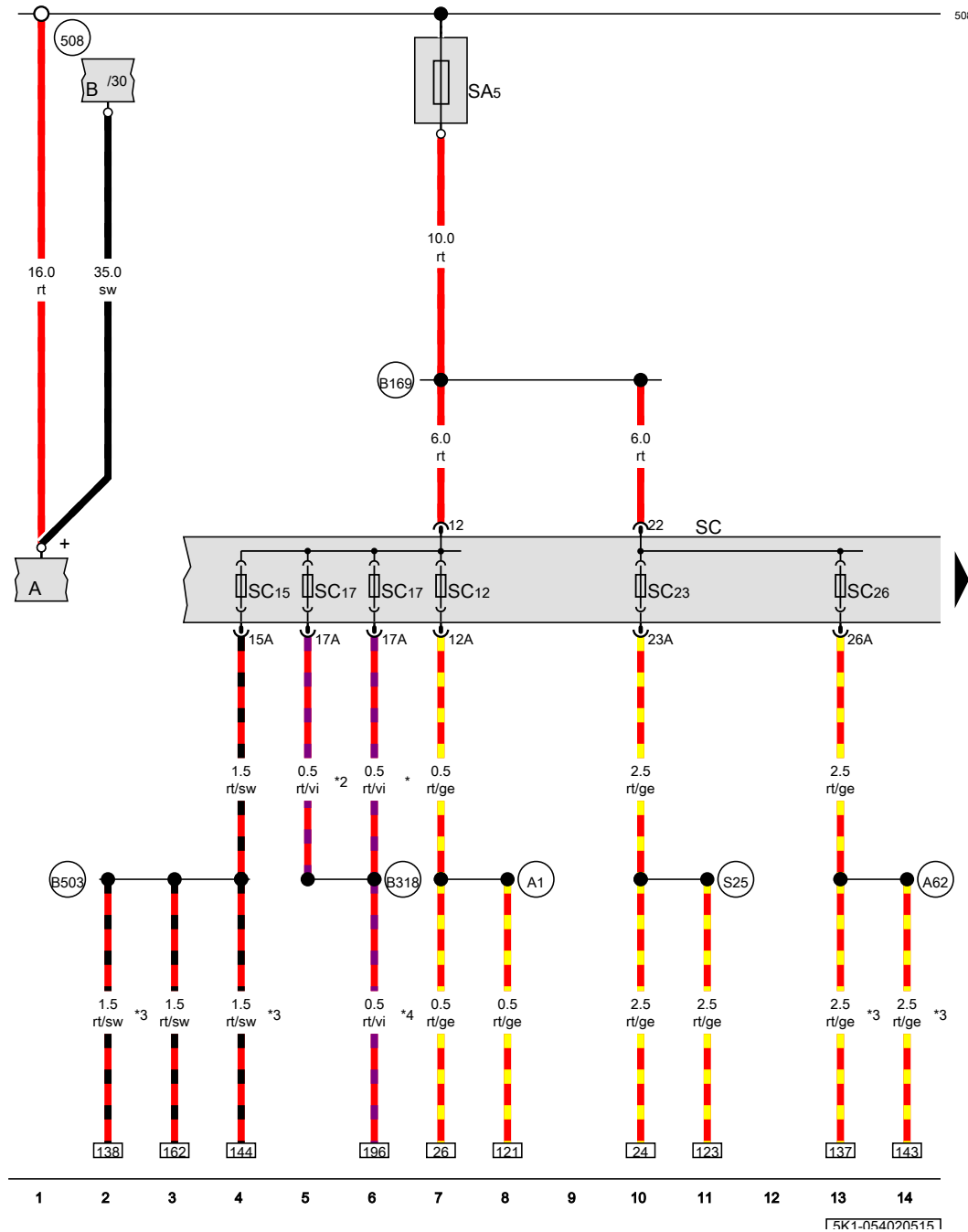
- (47) Ground connection in right front footwell
- (366) Ground connection 1 (in main wiring harness)
- (376) Ground connection 11 (in main wiring harness)
- (381) Ground connection 16 (in main wiring harness)
- (387) Ground connection 22 (in main wiring harness)
- (655) Ground connection on left headlamp

- ws = white
- sw = black
- ro = red
- rt = red
- br = brown
- gn = green
- bl = blue
- gr = grey
- li = lilac
- vi = lilac
- ge = yellow
- or = orange
- rs = pink

[5K1-053120515]

**Comfort system (NAR) , (0A2)**

from May 2009



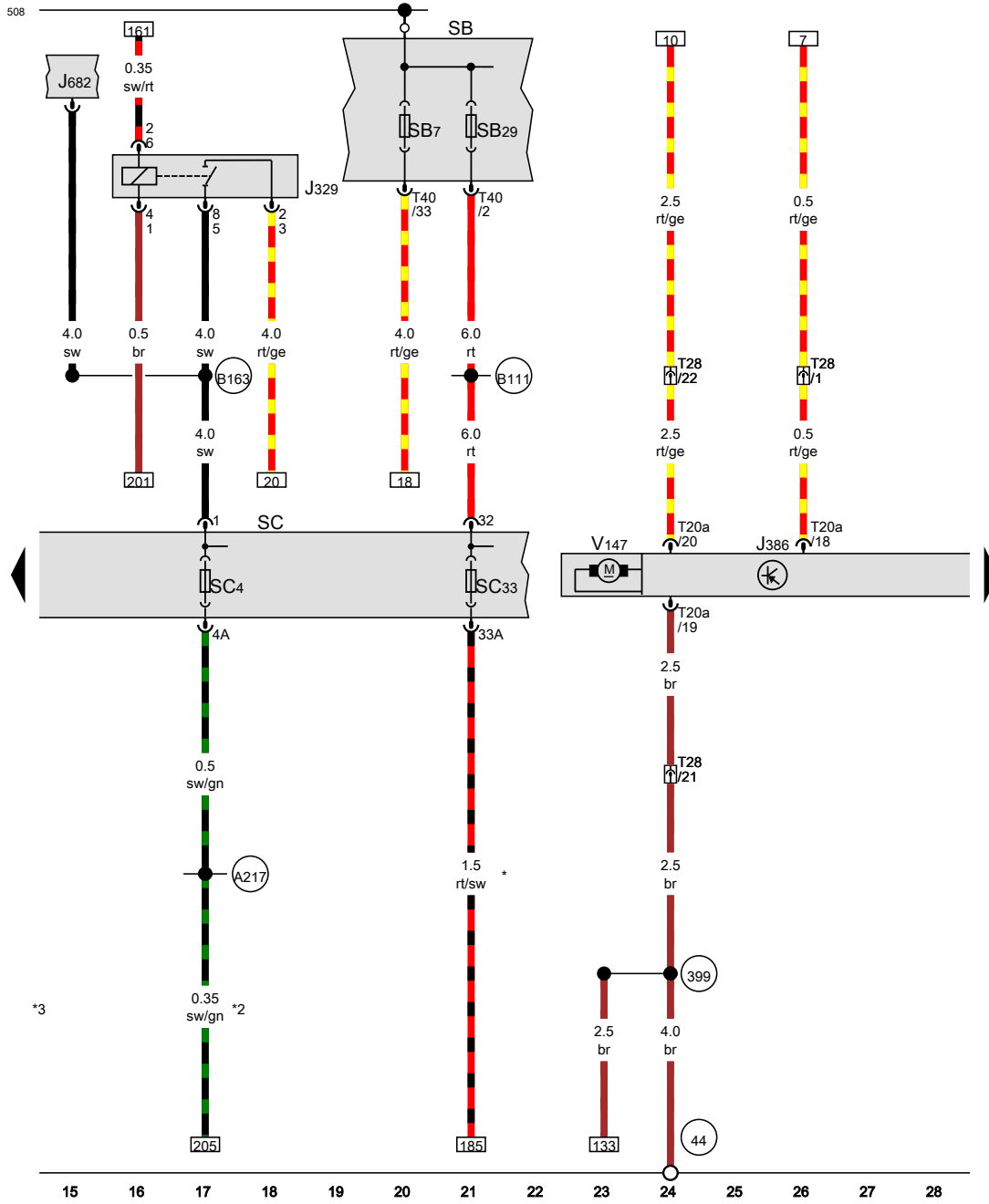
Fuse 5 (on fuse panel A), Fuse panel C

- A Battery
- B Starter
- SA5 Fuse 5 (on fuse panel A)
- SC Fuse panel C
- SC12 Fuse 12 (on fuse panel C)
- SC15 Fuse 15 (on fuse panel C)
- SC17 Fuse 17 (on fuse panel C)
- SC23 Fuse 23 (on fuse panel C)
- SC26 Fuse 26 (on fuse panel C)

- 508 Terminal 30 threaded connection (on E-box)
- A1 Positive connection (30a) (in instrument panel wiring harness)
- A62 Power window connection (in instrument panel wiring harness)
- B169 Positive connection 1 (30) (in interior wiring harness)
- B318 Positive connection 4 (30a) (in main wiring harness)
- B503 Positive connection 7 (30a) (in interior wiring harness)
- S25 Positive connection (30a) (in central locking system wiring harness)
- \* from November 2009
- \*2 Through October 2009
- \*3 Only for vehicles with rear power windows
- \*4 For vehicles with anti-theft alarm system

- ws = white
- sw = black
- ro = red
- rt = red
- br = brown
- gn = green
- bl = blue
- gr = grey
- li = lilac
- vi = lilac
- ge = yellow
- or = orange
- rs = pink

15K1-0540205151



Terminal 15 power supply relay, Driver door control module, Fuse panel B, Fuse panel C, Driver window regulator motor

- J329 Terminal 15 power supply relay
- J386 Driver door control module
- J682 Terminal 50 power supply relay
- SB Fuse panel B
- SC Fuse panel C
- SC4 Fuse 4 (on fuse panel C)
- SB7 Fuse 7 (on fuse panel B)
- SB29 Fuse 29 (on fuse panel B)
- SC33 Fuse 33 (on fuse panel C)
- T20a 20-pin connector
- T28 28-pin connector, in the left A-pillar connector station
- T40 40-pin connector
- V147 Driver window regulator motor

- 44 Ground connection on A-pillar, lower left
- 399 Ground connection 34 (in main wiring harness)
- 508 Terminal 30 threaded connection (on E-box)
- A217 Positive connection 8 (15a) (in instrument panel wiring harness)
- B111 Positive connection 1 (30a) (in interior wiring harness)
- B163 Positive connection 1 (15) (in interior wiring harness)
- \* Only for vehicles with a sunroof
- \*2 Only for vehicles with automatic dimming interior rearview mirror

- ws = white
- sw = black
- ro = red
- rt = red
- br = brown
- gn = green
- bl = blue
- gr = grey
- li = lilac
- vi = lilac
- ge = yellow
- or = orange
- rs = pink

1FK1-054030515

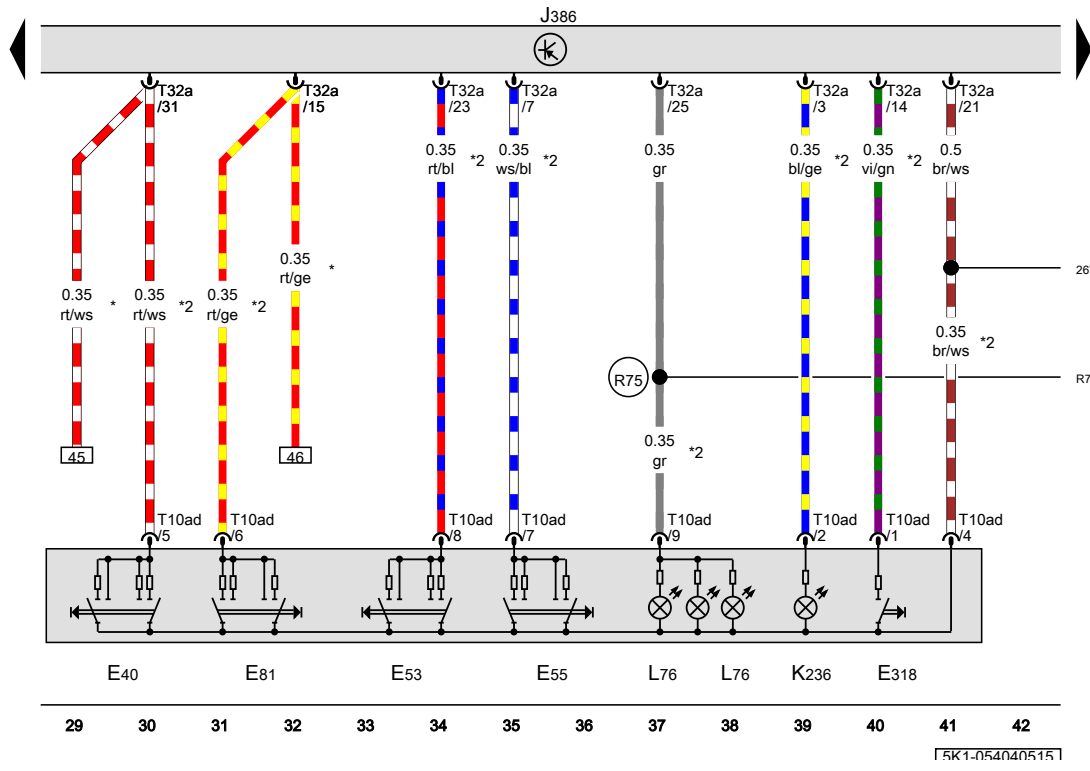
Left front window regulator switch, Left rear window regulator switch in driver door, Right rear window regulator switch in driver door, Right front power window switch in driver door, Child safety lock button, Driver door control module

- E40 Left front window regulator switch
- E53 Left rear window regulator switch in driver door
- E55 Right rear window regulator switch in driver door
- E81 Right front power window switch in driver door
- E318 Child safety lock button
- J386 Driver door control module
- K236 Child safety lock -activated- indicator lamp
- L76 Push button illumination bulb
- T10ad 10-pin connector
- T32a 32-pin connector

267 Ground connection 2 (in driver door wiring harness)

R75 Connection 58d (in door control module wiring harness) 1

- \* Only for vehicles with front power windows
- \*2 Only for vehicles with rear power windows



- ws = white
- sw = black
- ro = red
- rt = red
- br = brown
- gn = green
- bl = blue
- gr = grey
- li = lilac
- vi = lilac
- ge = yellow
- or = orange
- rs = pink

15K1-0540405151



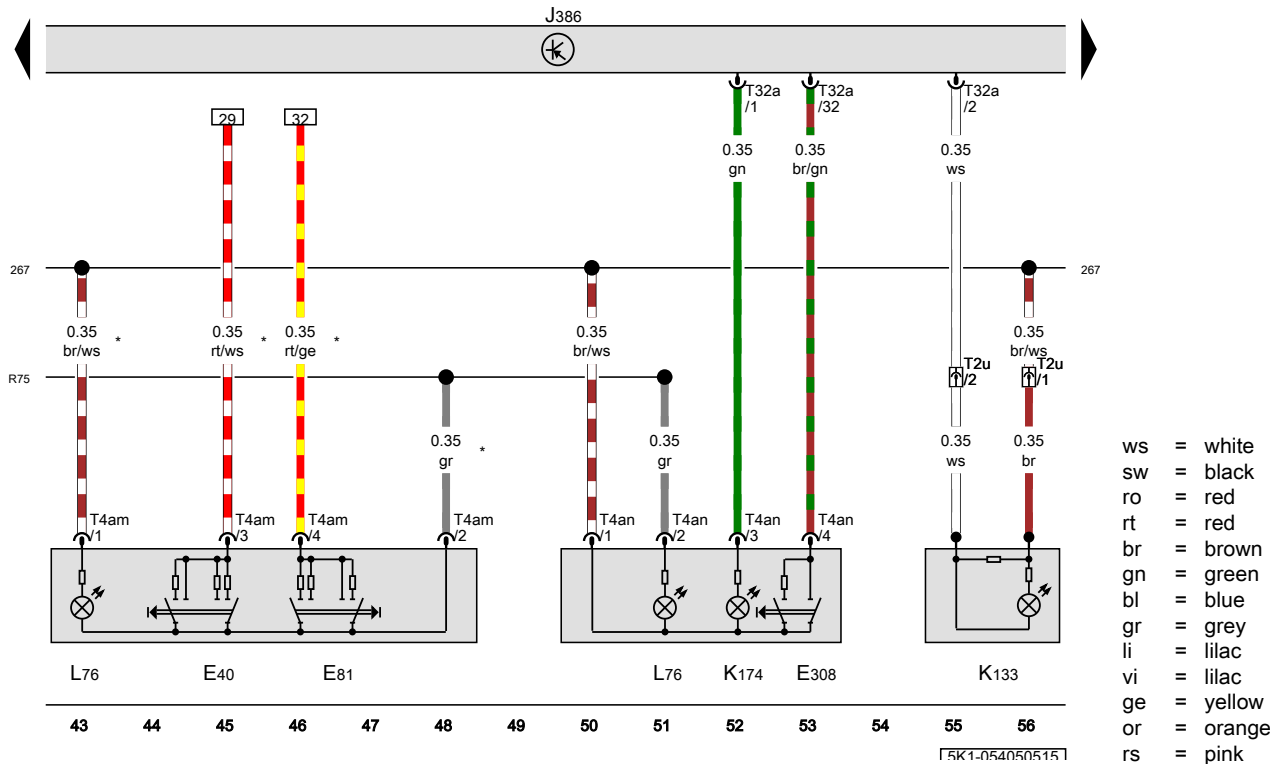
Left front window regulator switch, Right front power window switch in driver door, Driver interior locking button, Driver door control module, Central locking -SAFE- indicator lamp

- E40 Left front window regulator switch
- E81 Right front power window switch in driver door
- E308 Driver interior locking button
- J386 Driver door control module
- K133 Central locking -SAFE- indicator lamp
- K174 Driver interior locking indicator lamp
- L76 Push button illumination bulb
- T2u Double connector, in the driver door
- T4am 4-pin connector
- T4an 4-pin connector
- T32a 32-pin connector

267 Ground connection 2 (in driver door wiring harness)

R75 Connection 58d (in door control module wiring harness) 1

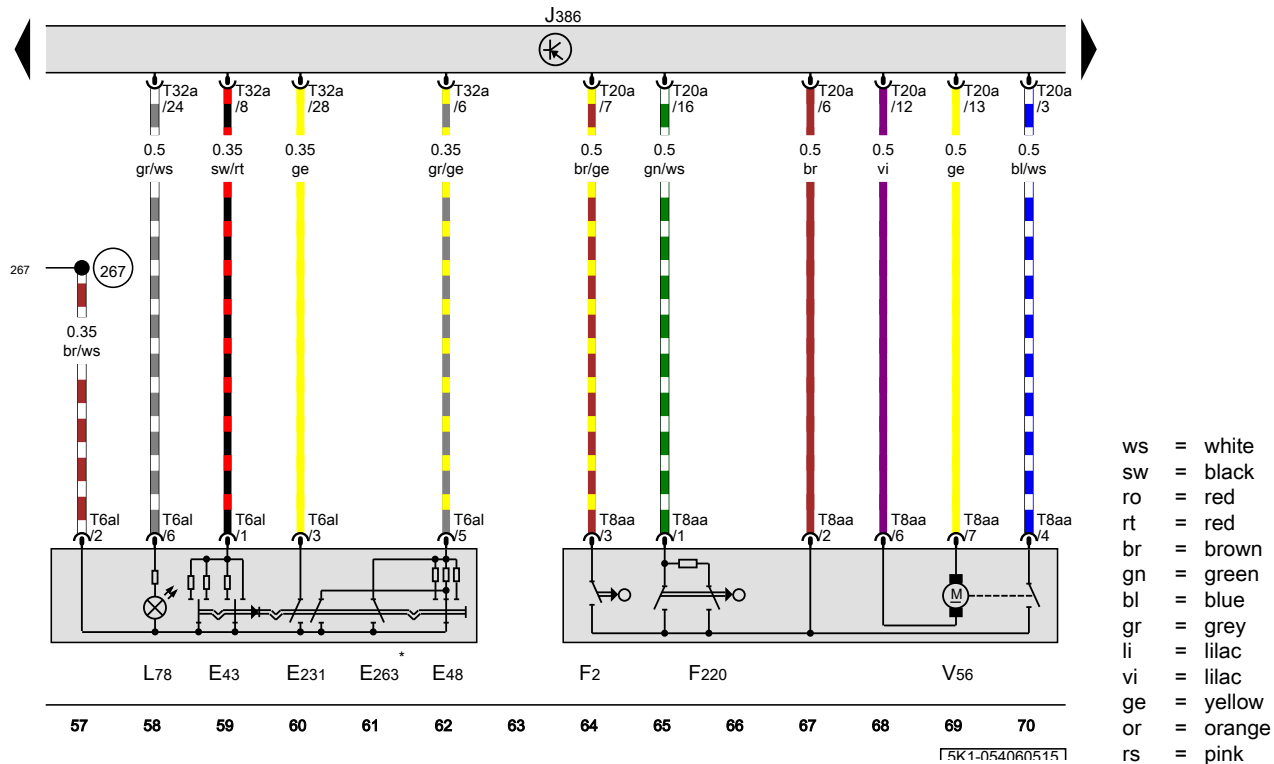
\* Only for vehicles with front power windows



15K1-054050515

Mirror adjusting switch, Mirror selector switch, Exterior rearview mirror heating switch, Mirror folding switch, Driver door contact switch, Driver central locking lock unit, Driver door control module, Driver door central locking system motor

- E43 Mirror adjusting switch
  - E48 Mirror selector switch
  - E231 Exterior rearview mirror heating switch
  - E263 Mirror folding switch
  - F2 Driver door contact switch
  - F220 Driver central locking lock unit
  - J386 Driver door control module
  - L78 Mirror adjustment switch illumination bulb
  - T6al 6-pin connector
  - T8aa 8-pin connector
  - T20a 20-pin connector
  - T32a 32-pin connector
  - V56 Driver door central locking system motor
- 267 Ground connection 2 (in driver door wiring harness)
- \* Only for vehicles with folding mirrors

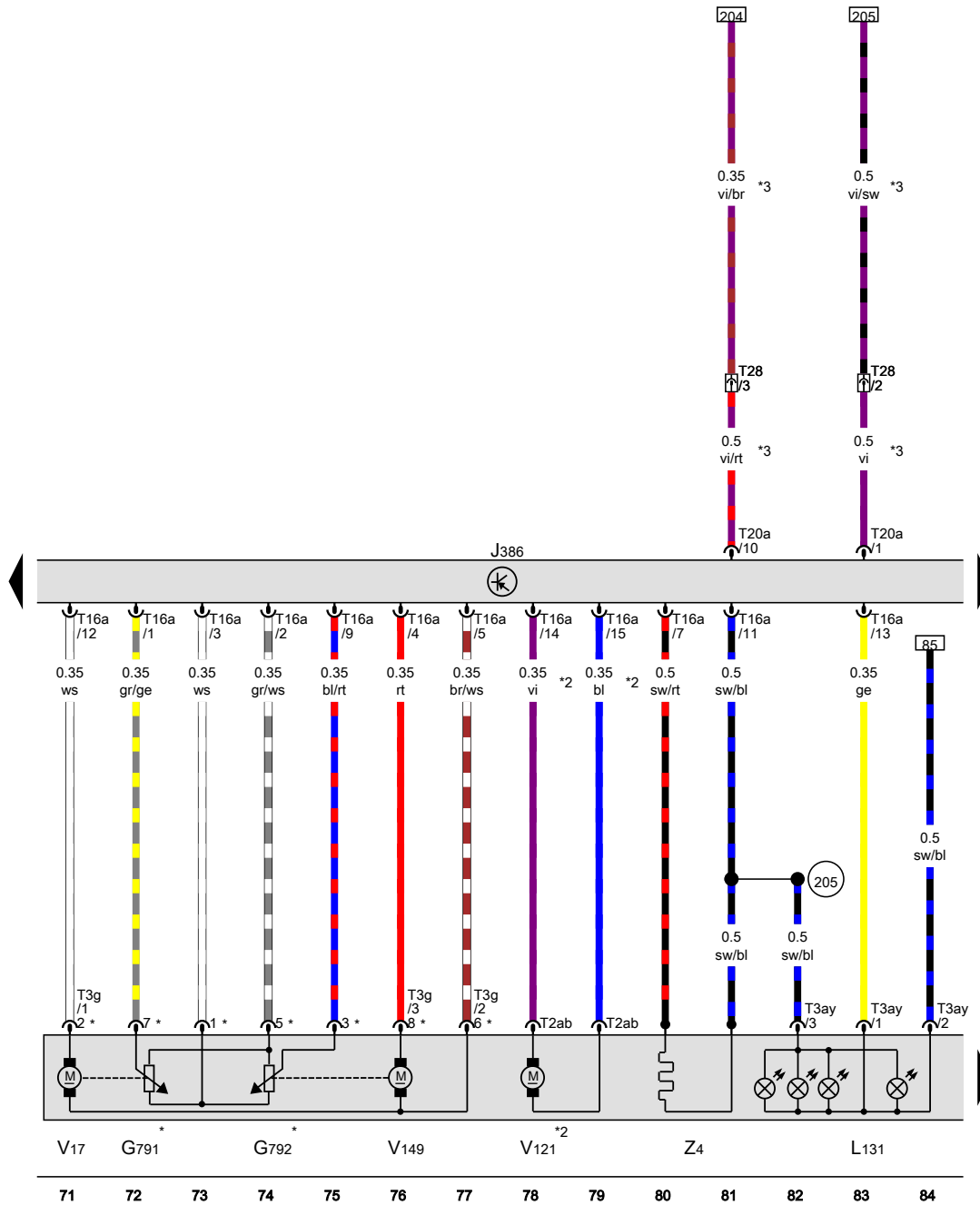


Exterior rearview mirror horizontal adjustment position sensor, Exterior rearview mirror vertical adjustment position sensor, Driver door control module, Driver exterior rearview mirror turn signal bulb, Driver mirror adjustment motor 2, Driver exterior rearview mirror folding motor, Heated driver exterior rearview mirror

- G791 Exterior rearview mirror horizontal adjustment position sensor
- G792 Exterior rearview mirror vertical adjustment position sensor
- J386 Driver door control module
- L131 Driver exterior rearview mirror turn signal bulb
- T2ab Double connector
- T3ay 3-pin connector
- T3g 3-pin connector
- T16a 16-pin connector
- T20a 20-pin connector
- T28 28-pin connector, in the left A-pillar connector station
- V17 Driver mirror adjustment motor 2
- V121 Driver exterior rearview mirror folding motor
- V149 Driver mirror adjustment motor
- Z4 Heated driver exterior rearview mirror

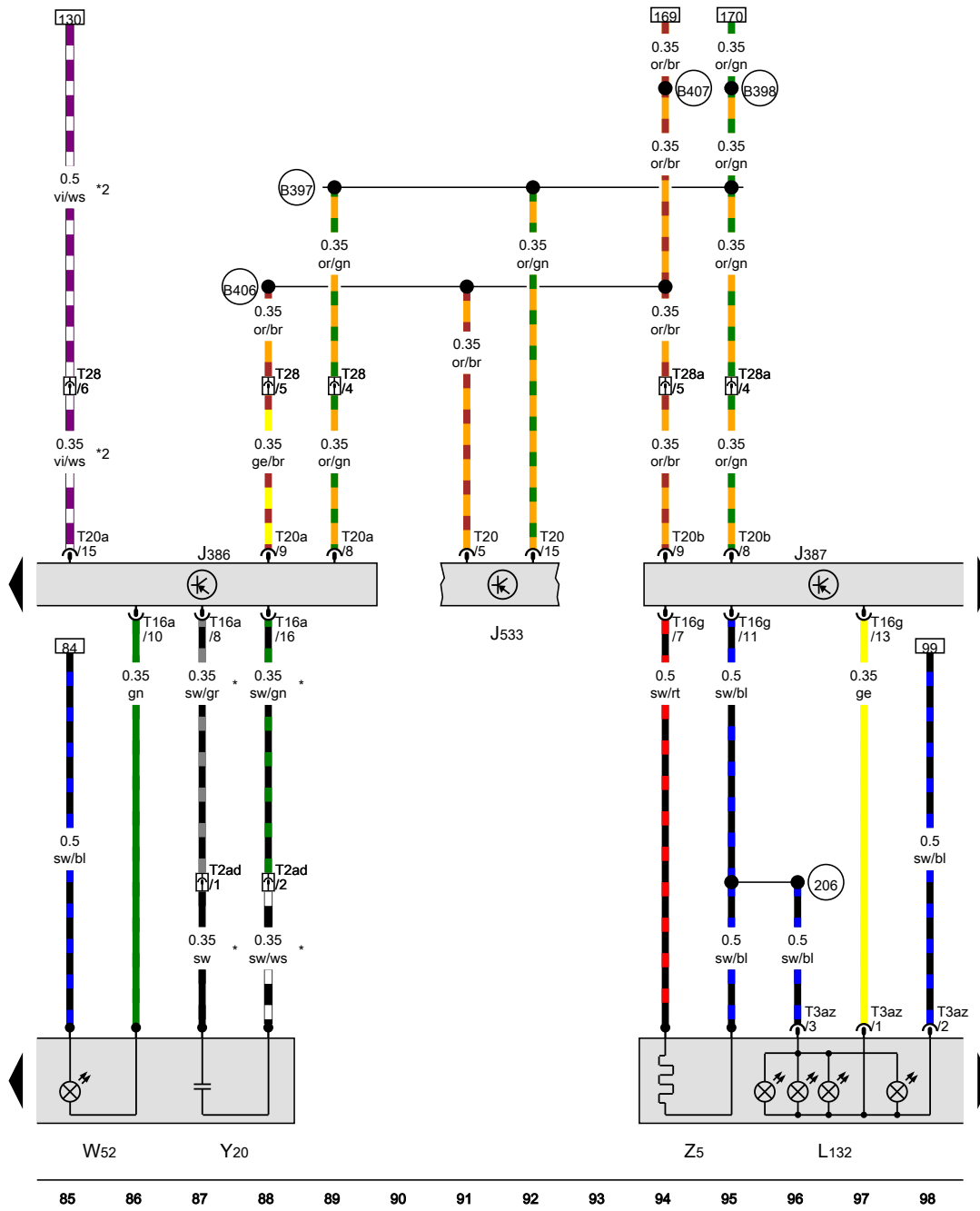
205 Ground connection (in driver door wiring harness)

- \* Depending on equipment
- \*2 Only for vehicles with folding mirrors
- \*3 Only for vehicles with automatic dimming exterior rearview mirror



- ws = white
- sw = black
- ro = red
- rt = red
- br = brown
- gn = green
- bl = blue
- gr = grey
- li = lilac
- vi = lilac
- ge = yellow
- or = orange
- rs = pink

15K1-0540705151



Driver door control module, Front passenger exterior rearview mirror turn signal bulb, Driver entry lamp in exterior rearview mirror, Driver automatic dimming exterior rearview mirror, Heated front passenger exterior rearview mirror

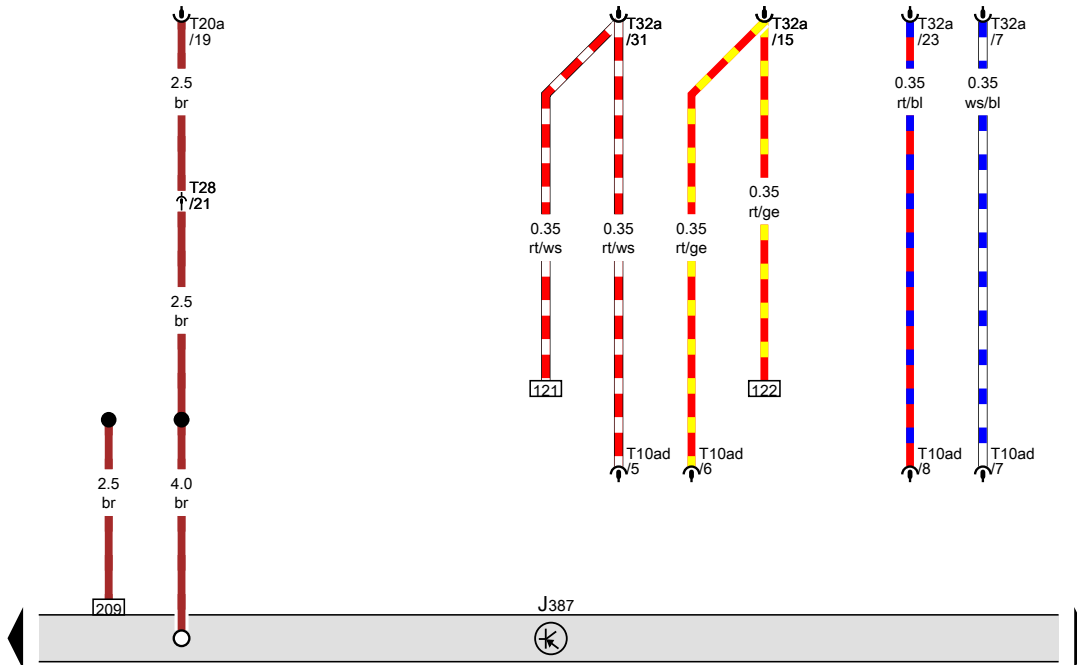
- J386 Driver door control module
- J387 Front passenger door control module
- J533 Data bus on board diagnostic interface
- L132 Front passenger exterior rearview mirror turn signal bulb
- T2ad Double connector, on the mirror
- T3az 3-pin connector
- T16a 16-pin connector
- T16g 16-pin connector
- T20 20-pin connector
- T20a 20-pin connector
- T20b 20-pin connector
- T28 28-pin connector, in the left A-pillar connector station
- T28a 28-pin connector, in the connector station, right A-pillar
- W52 Driver entry lamp in exterior rearview mirror
- Y20 Driver automatic dimming exterior rearview mirror
- Z5 Heated front passenger exterior rearview mirror

- 206 Ground connection (in front passenger door wiring harness)
- B397 Comfort system CAN bus high connection 1 (in main wiring harness)
- B398 Comfort system CAN bus high connection 2 (in main wiring harness)
- B406 Comfort system CAN bus low connection 1 (in main wiring harness)
- B407 Comfort system CAN bus low connection 2 (in main wiring harness)

\* Only for vehicles with automatic dimming exterior rearview mirror  
 \*2 Only for vehicles with rear power windows

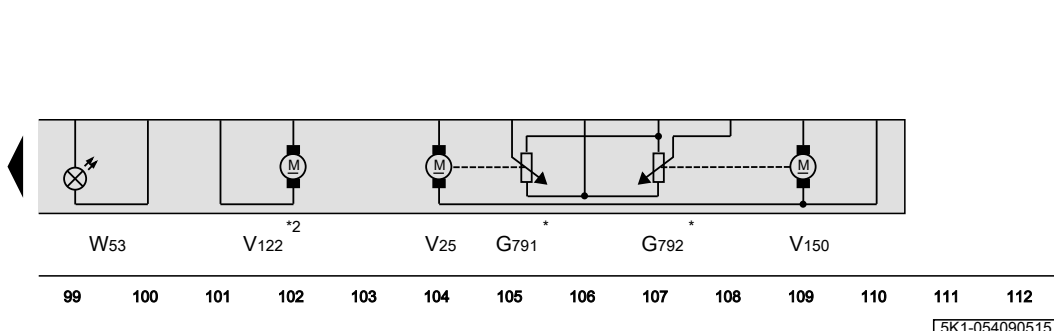
- ws = white
- sw = black
- ro = red
- rt = red
- br = brown
- gn = green
- bl = blue
- gr = grey
- li = lilac
- vi = lilac
- ge = yellow
- or = orange
- rs = pink

15K1-054080515



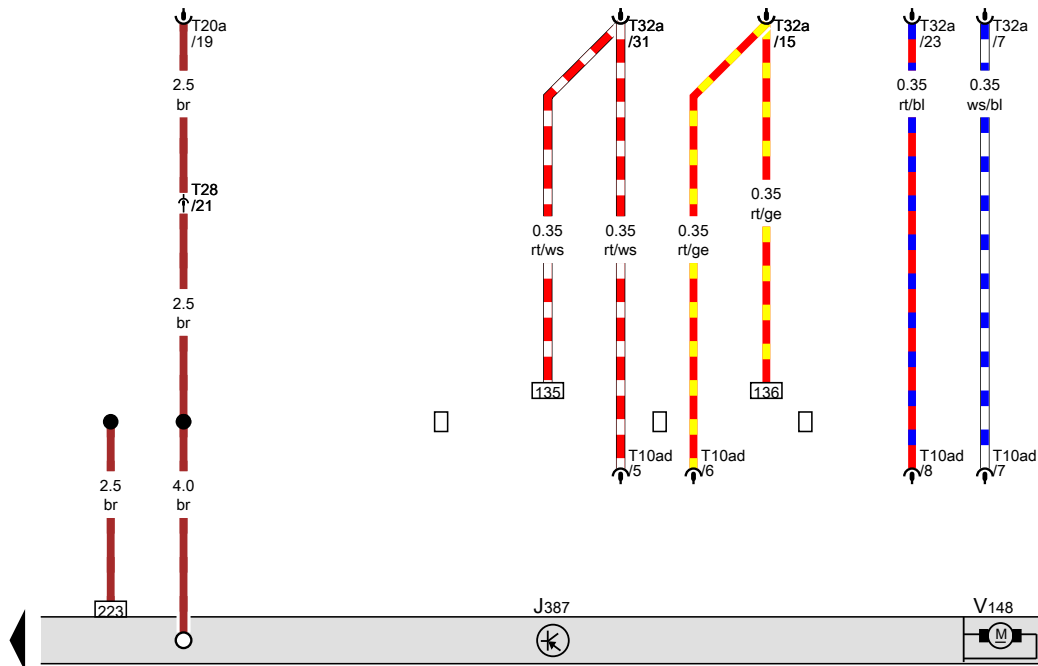
Exterior rearview mirror horizontal adjustment position sensor, Exterior rearview mirror vertical adjustment position sensor, Front passenger side mirror adjustment motor 2, Front passenger exterior rearview mirror folding motor, Front passenger entry lamp in exterior rearview mirror

- G791 Exterior rearview mirror horizontal adjustment position sensor
- G792 Exterior rearview mirror vertical adjustment position sensor
- J387 Front passenger door control module
- T10ad 10-pin connector
- T20a 20-pin connector
- T32a 32-pin connector
- V25 Front passenger side mirror adjustment motor 2
- V122 Front passenger exterior rearview mirror folding motor
- V150 Front passenger mirror adjustment motor
- W53 Front passenger entry lamp in exterior rearview mirror
- \* Depending on equipment
- \*2 Only for vehicles with folding mirrors



- ws = white
- sw = black
- ro = red
- rt = red
- br = brown
- gn = green
- bl = blue
- gr = grey
- li = lilac
- vi = lilac
- ge = yellow
- or = orange
- rs = pink

15K1-0540905151



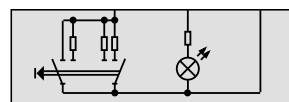
Front passenger door window regulator switch, Front passenger door contact switch, Front passenger central locking lock unit, Front passenger door central locking system motor, Front passenger window regulator motor

- E107 Front passenger door window regulator switch
- F3 Front passenger door contact switch
- F221 Front passenger central locking lock unit
- J387 Front passenger door control module
- L76 Push button illumination bulb
- T10ad 10-pin connector
- T20a 20-pin connector
- T28a 28-pin connector, in the connector station, right A-pillar
- T32a 32-pin connector
- V57 Front passenger door central locking system motor
- V148 Front passenger window regulator motor

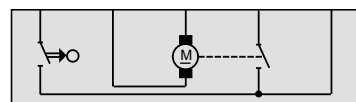
47 Ground connection in right front footwell

459 Ground connection 15 (in interior wiring harness)

\* Only for vehicles with rear power windows



E107 L76



F3 V57 F221

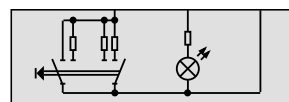
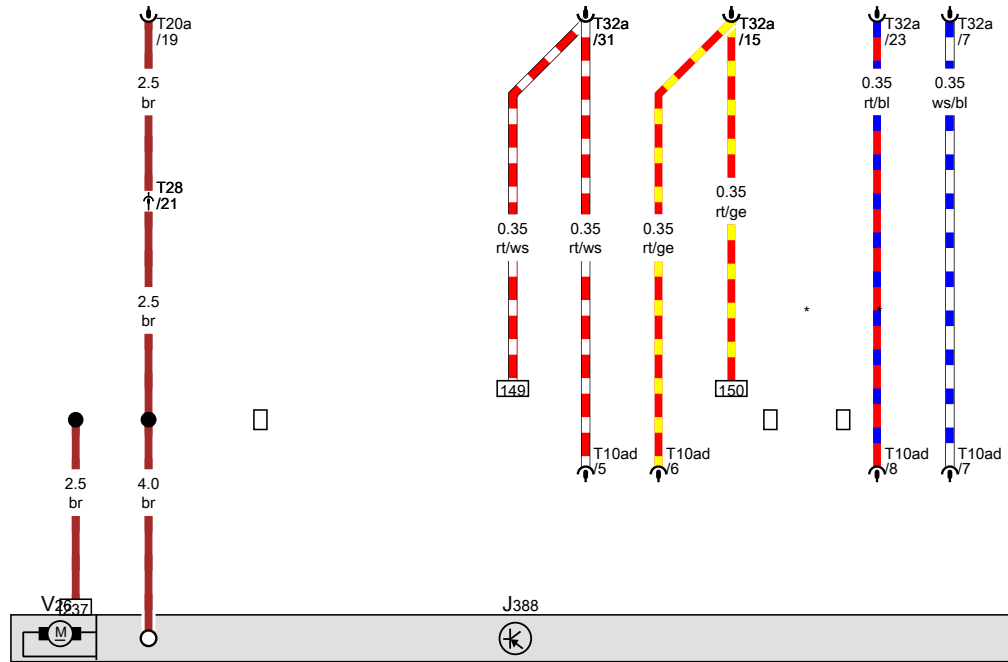
113 114 115 116 117 118 119 120 121 122 123 124 125 126

15K1-0541005151

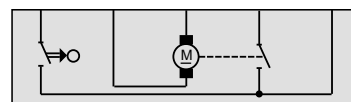
- ws = white
- sw = black
- ro = red
- rt = red
- br = brown
- gn = green
- bl = blue
- gr = grey
- li = lilac
- vi = lilac
- ge = yellow
- or = orange
- rs = pink

Left rear power window switch in left rear door, Left rear door contact switch, Left rear central locking lock unit, Left rear door control module, Left rear window regulator motor, Left rear central locking -lock- motor

- E52 Left rear power window switch in left rear door
- F10 Left rear door contact switch
- F222 Left rear central locking lock unit
- J388 Left rear door control module
- L76 Push button illumination bulb
- T10ad 10-pin connector
- T20a 20-pin connector
- T28b 28-pin connector, behind the lower left B-pillar trim
- T32a 32-pin connector
- V26 Left rear window regulator motor
- V214 Left rear central locking -lock- motor
- \* Only for vehicles with rear power windows
- \*2 Only for vehicles with front power windows



E52 L76

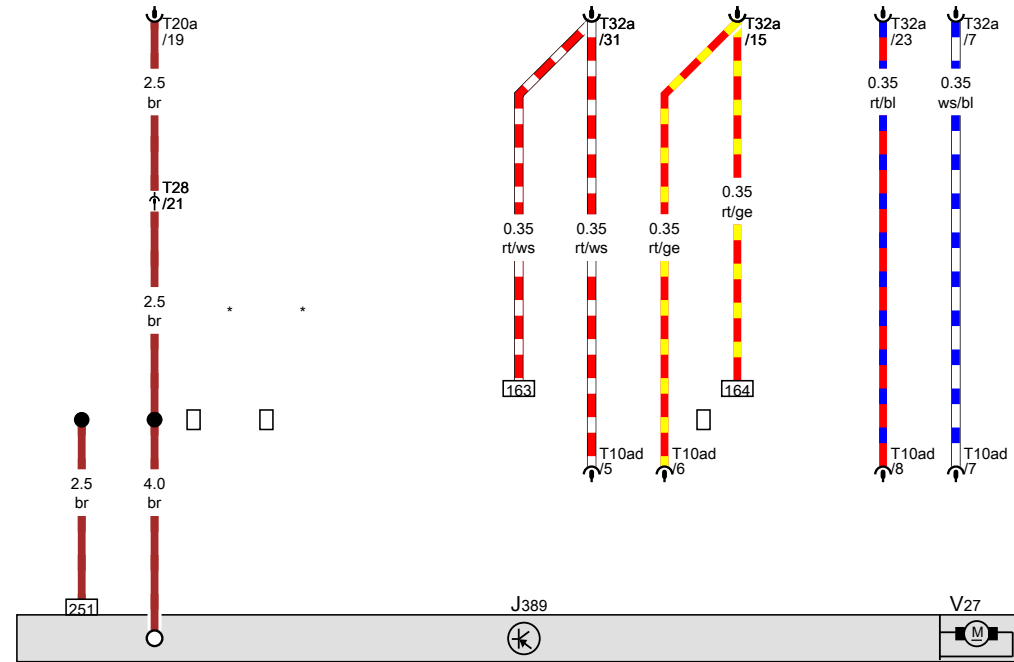


F10 V214 F222

127 128 129 130 131 132 133 134 135 136 137 138 139 140

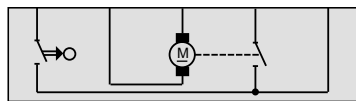
15K1-054110515

- ws = white
- sw = black
- ro = red
- rt = red
- br = brown
- gn = green
- bl = blue
- gr = grey
- li = lilac
- vi = lilac
- ge = yellow
- or = orange
- rs = pink

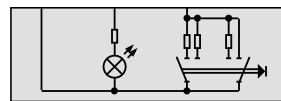


Right rear window switch in right rear door, Right rear door contact switch, Right rear central locking lock unit, Right rear door control module, Right rear window regulator motor, Right rear central locking -lock- motor

- E54 Right rear window switch in right rear door
- F11 Right rear door contact switch
- F223 Right rear central locking lock unit
- J389 Right rear door control module
- L76 Push button illumination bulb
- T10ad 10-pin connector
- T20a 20-pin connector
- T28c 28-pin connector, behind the lower right B-pillar trim
- T32a 32-pin connector
- V27 Right rear window regulator motor
- V215 Right rear central locking -lock- motor
- \* Only for vehicles with rear power windows
- \*2 Only for vehicles with front power windows



F11 V215 F223



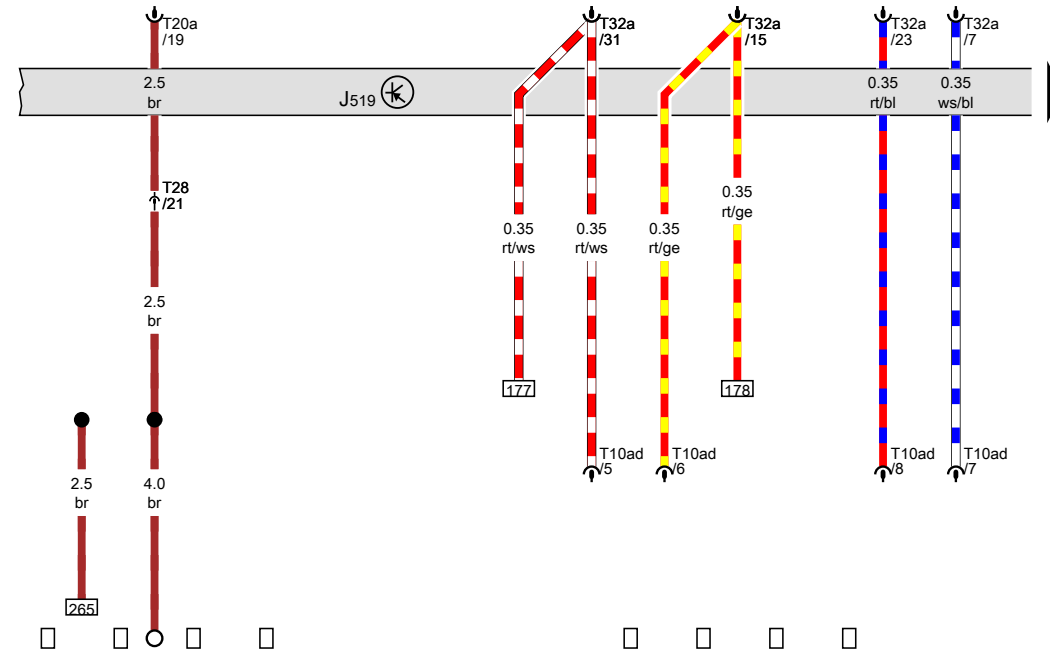
L76 E54

141 142 143 144 145 146 147 148 149 150 151 152 153 154

15K1-054120515

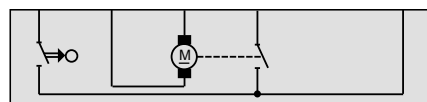
- ws = white
- sw = black
- ro = red
- rt = red
- br = brown
- gn = green
- bl = blue
- gr = grey
- li = lilac
- vi = lilac
- ge = yellow
- or = orange
- rs = pink



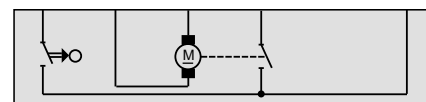


Left rear door contact switch, Right rear door contact switch, Left rear central locking lock unit, Right rear central locking lock unit, Left rear central locking -lock- motor, Right rear central locking -lock- motor

- F10 Left rear door contact switch
- F11 Right rear door contact switch
- F222 Left rear central locking lock unit
- F223 Right rear central locking lock unit
- J519 Vehicle electrical control module system
- T10ad 10-pin connector
- T20a 20-pin connector
- T28b 28-pin connector, behind the lower left B-pillar trim
- T28c 28-pin connector, behind the lower right B-pillar trim
- T32a 32-pin connector
- V214 Left rear central locking -lock- motor
- V215 Right rear central locking -lock- motor
- \* Only for vehicles with front power windows



F10 V214 F222

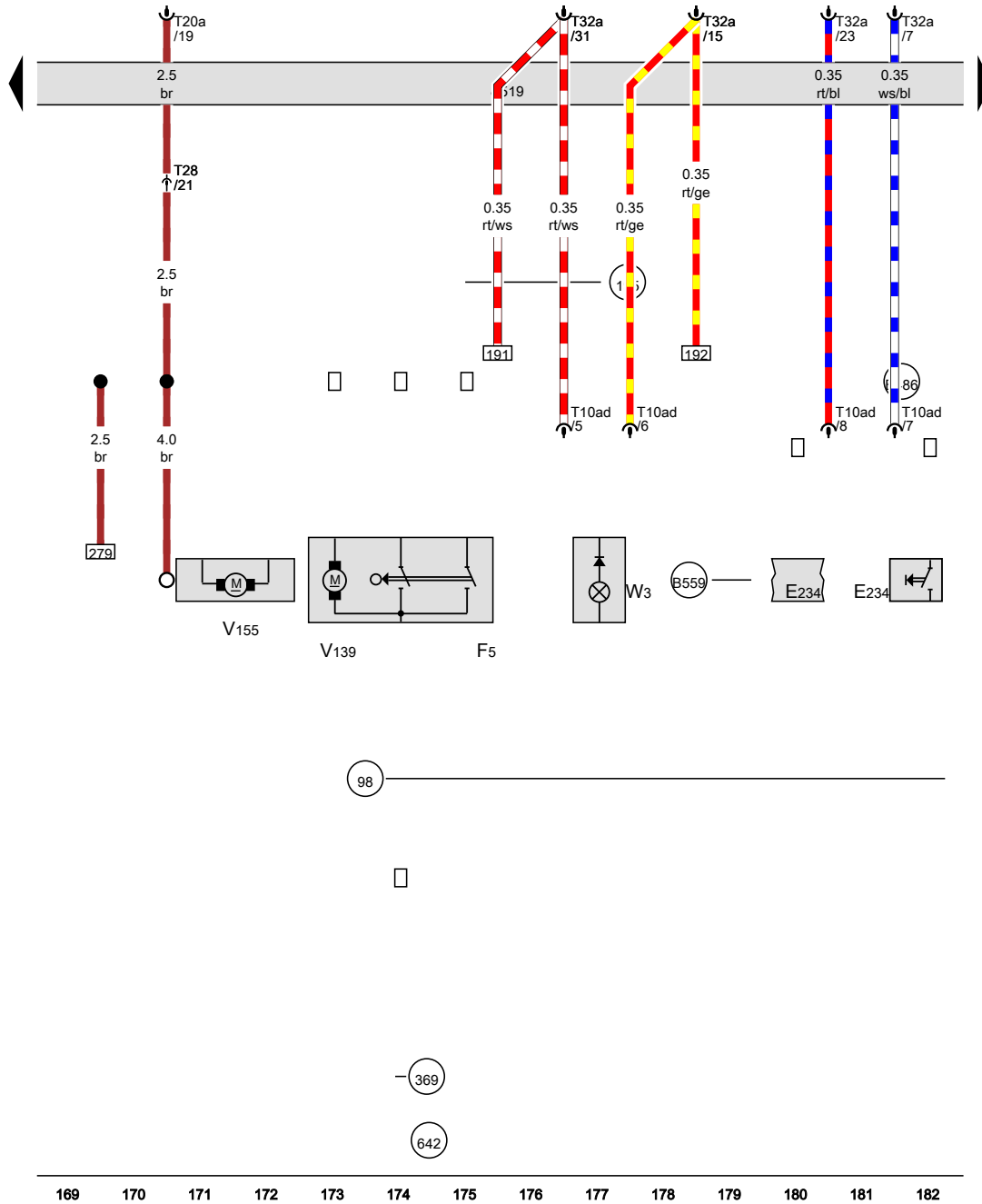


F11 V215 F223

155 156 157 158 159 160 161 162 163 164 165 166 167 168

15K1-054130515

- ws = white
- sw = black
- ro = red
- rt = red
- br = brown
- gn = green
- bl = blue
- gr = grey
- li = lilac
- vi = lilac
- ge = yellow
- or = orange
- rs = pink

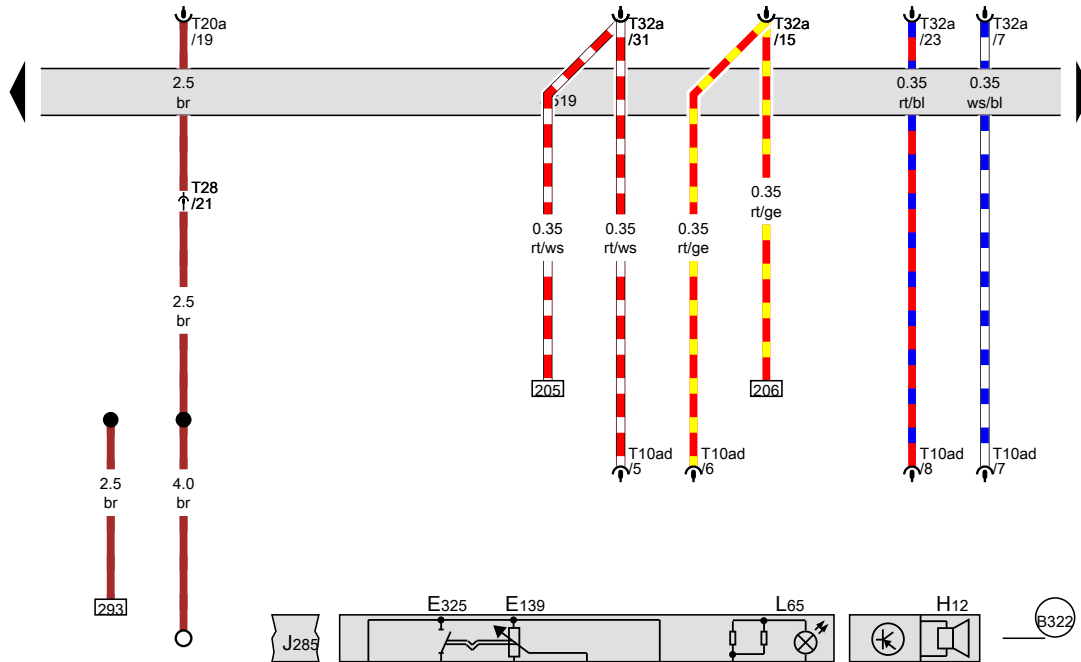


**Release button in rear lid handle, Luggage compartment lamp switch, Rear lid unlock motor, Fuel filler door unlock motor, Luggage compartment lamp**

- E234 Release button in rear lid handle
- F5 Luggage compartment lamp switch
- J519 Vehicle electrical control module system
- T4br 4-pin connector, behind the right C-pillar trim panel
- T5a 5-pin connector, in the left rear side panel
- T5c 5-pin connector, in the left rear side panel
- T10ad 10-pin connector
- T20a 20-pin connector
- T32a 32-pin connector
- V139 Rear lid unlock motor
- V155 Fuel filler door unlock motor
- W3 Luggage compartment lamp

- 98 Ground connection (in rear lid wiring harness)
- 195 Ground connection (in rear door contact switch wiring harness)
- 369 Ground connection 4 (in main wiring harness)
- 642 Electronic fan control ground connection
- B486 Connection 22 (in main wiring harness)
- B559 Positive connection 1 (30g) (in main wiring harness)
- \* Only for vehicles without a rearview camera system
- \*2 Only for vehicles with a rearview camera system

- ws = white
- sw = black
- ro = red
- rt = red
- br = brown
- gn = green
- bl = blue
- gr = grey
- li = lilac
- vi = lilac
- ge = yellow
- or = orange
- rs = pink

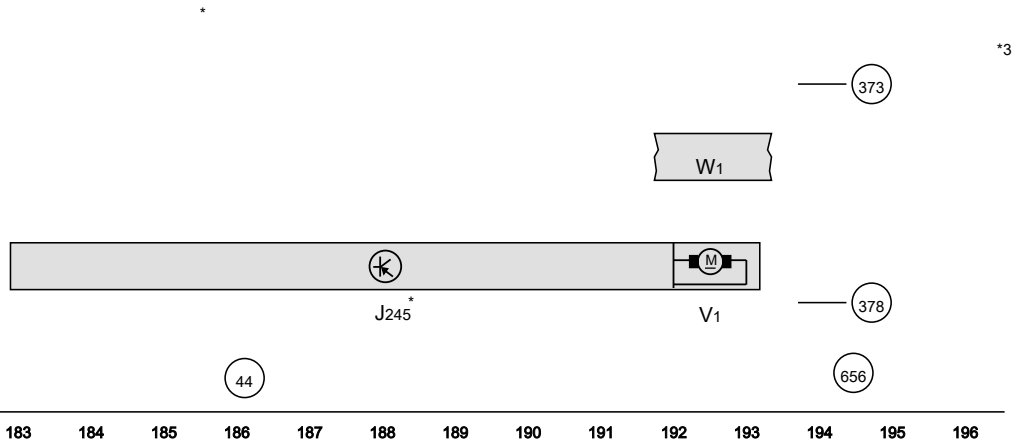


Sunroof adjustment regulator, Sunroof button, Alarm horn, Power sunroof control module, Sunroof motor

- E139 Sunroof adjustment regulator
- E325 Sunroof button
- H12 Alarm horn
- J245 Power sunroof control module
- J285 Instrument cluster control module
- J519 Vehicle electrical control module system
- L65 Sunroof switch illumination bulb
- T10ad 10-pin connector
- T20a 20-pin connector
- T32a 32-pin connector
- V1 Sunroof motor
- W1 Front interior lamp

- 44 Ground connection on A-pillar, lower left
- 373 Ground connection 8 (in main wiring harness)
- 378 Ground connection 13 (in main wiring harness)
- 656 Ground connection on right headlamp
- B322 Positive connection 8 (30a) (in main wiring harness)

- \* Only for vehicles with a sunroof
- \*2 through April 2009
- \*3 For vehicles with anti-theft alarm system



- ws = white
- sw = black
- ro = red
- rt = red
- br = brown
- gn = green
- bl = blue
- gr = grey
- li = lilac
- vi = lilac
- ge = yellow
- or = orange
- rs = pink

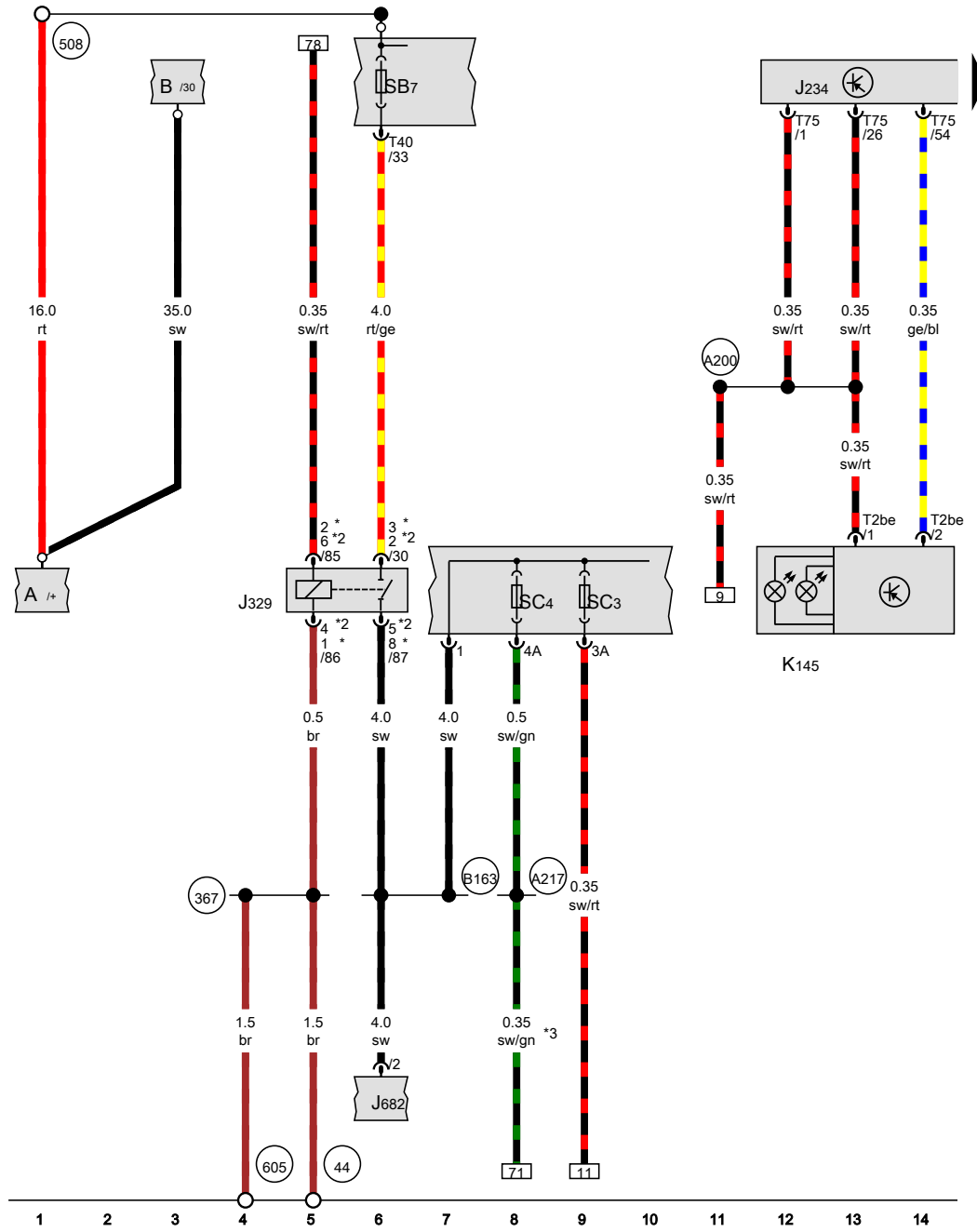
183 184 185 186 187 188 189 190 191 192 193 194 195 196

15K1-0541505151



**Airbag systems (USA) , (4UM),(4UT)**

from May 2009



Airbag control module, Terminal 15 power supply relay, Front passenger airbag -disabled- indicator lamp, Fuse 3 (on fuse panel C), Fuse 4 (on fuse panel C), Fuse 7 (on fuse panel B)

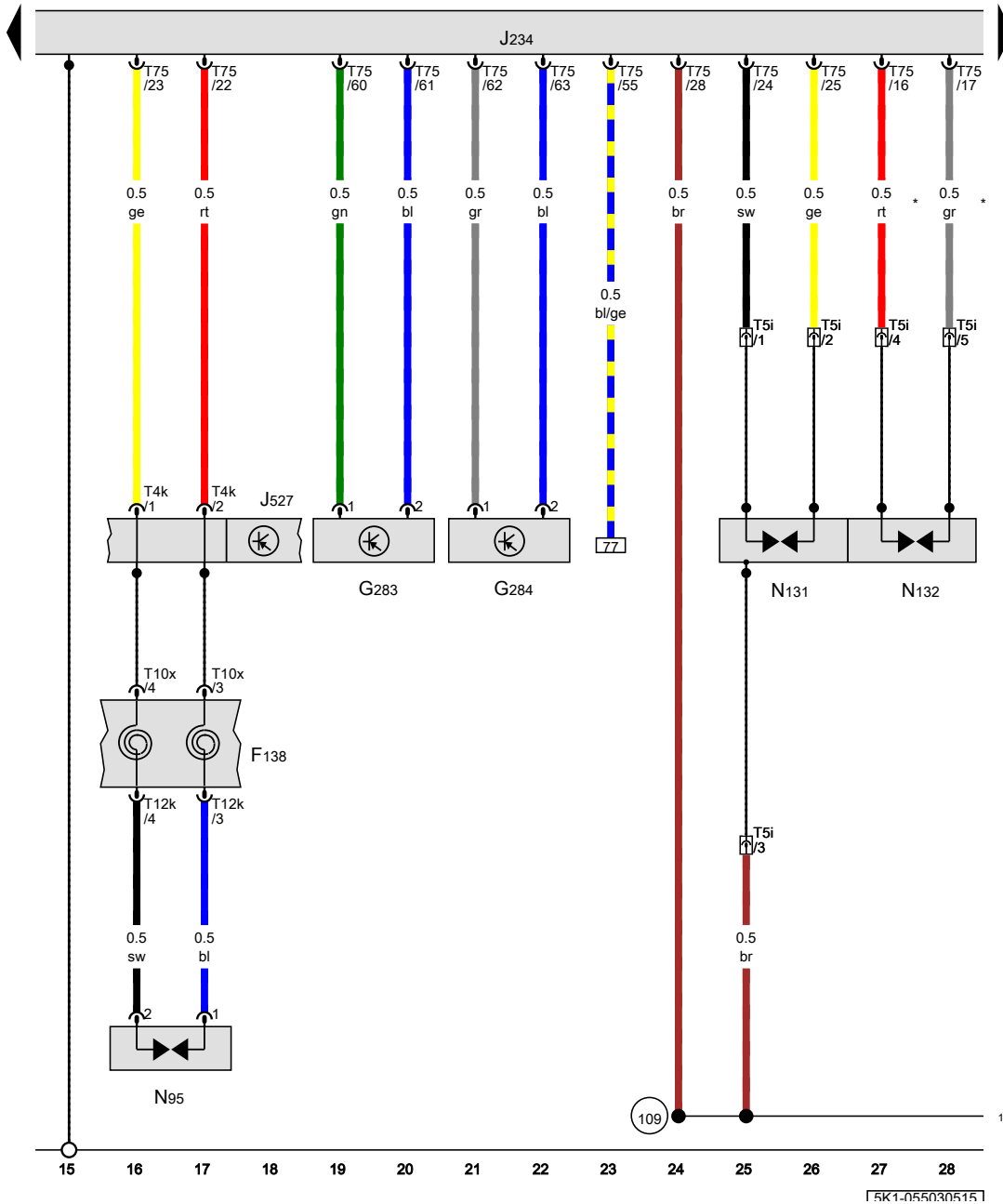
- A Battery
- B Starter
- J234 Airbag control module, behind the center console
- J329 Terminal 15 power supply relay
- J682 Terminal 50 power supply relay
- K145 Front passenger airbag -disabled- indicator lamp
- SC3 Fuse 3 (on fuse panel C)
- SC4 Fuse 4 (on fuse panel C)
- SB7 Fuse 7 (on fuse panel B)
- T2be Double connector
- T40 40-pin connector
- T75 75-pin connector

- 44 Ground connection on A-pillar, lower left
- 367 Ground connection 2 (in main wiring harness)
- 508 Terminal 30 threaded connection (on E-box)
- 605 Ground connection on upper steering column
- A200 Positive connection 5 (15a) (in instrument panel wiring harness)
- A217 Positive connection 8 (15a) (in instrument panel wiring harness)
- B163 Positive connection 1 (15) (in interior wiring harness)
- \* Through October 2009
- \*2 from November 2009
- \*3 Only for vehicles with a passive occupant detection system

- ws = white
- sw = black
- ro = red
- rt = red
- br = brown
- gn = green
- bl = blue
- gr = grey
- li = lilac
- vi = lilac
- ge = yellow
- or = orange
- rs = pink

15K1-055020515

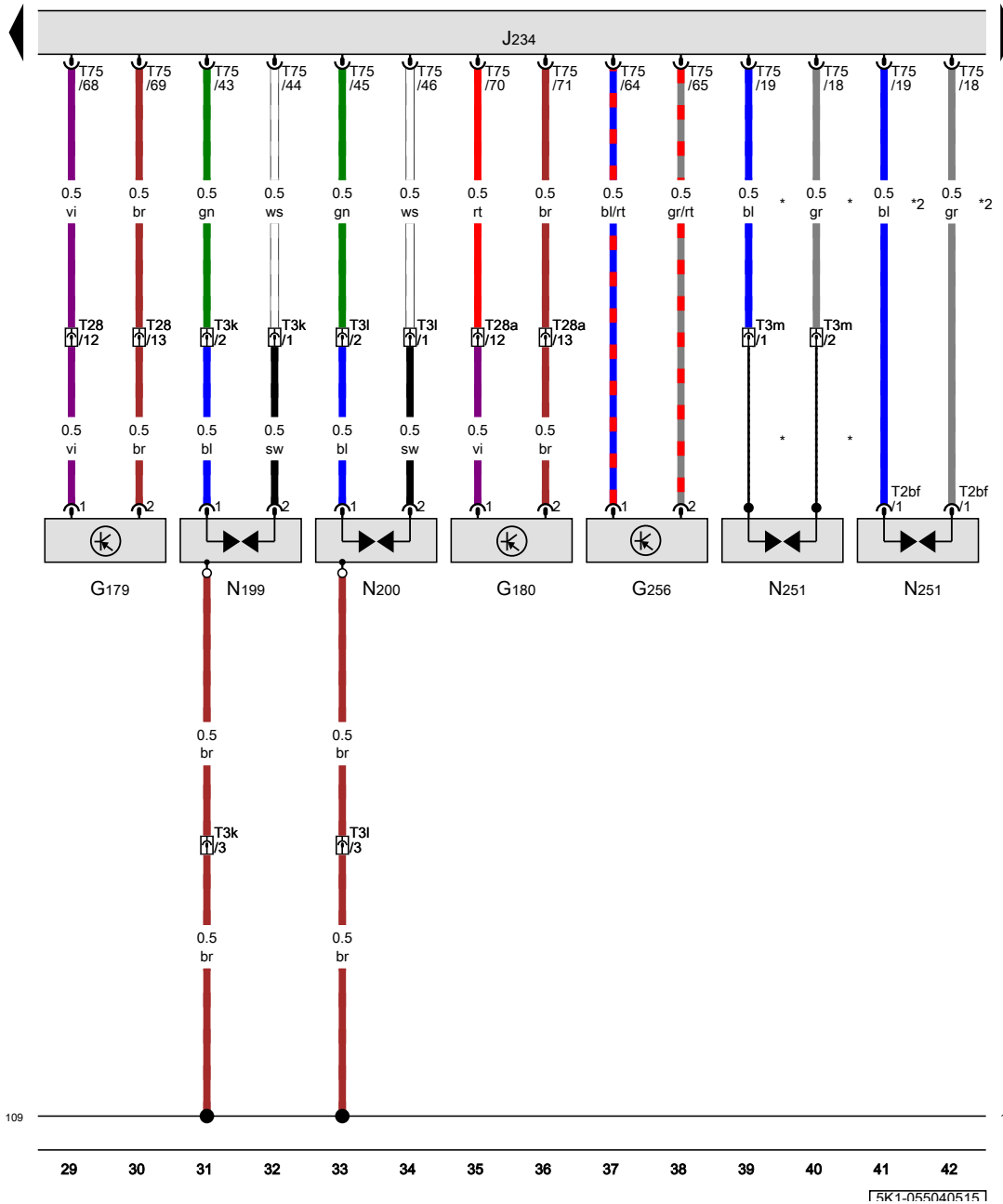
Driver front airbag crash sensor, Passenger side front airbag crash sensor, Airbag control module, Steering column electronics control module, Driver airbag igniter, Front passenger airbag igniter 1, Front passenger airbag igniter 2



- F138 Airbag spiral spring/return spring with slip ring
- G283 Driver front airbag crash sensor
- G284 Passenger side front airbag crash sensor
- J234 Airbag control module, behind the center console
- J527 Steering column electronics control module
- N95 Driver airbag igniter
- N131 Front passenger airbag igniter 1
- N132 Front passenger airbag igniter 2
- T4k 4-pin connector
- T5i 5-pin connector, behind the front passenger airbag
- T10x 10-pin connector
- T12k 12-pin connector
- T75 75-pin connector
- 109 Ground connection (in airbag wiring harness)
- \* Only for vehicles with a passive occupant detection system

- ws = white
- sw = black
- ro = red
- rt = red
- br = brown
- gn = green
- bl = blue
- gr = grey
- li = lilac
- vi = lilac
- ge = yellow
- or = orange
- rs = pink

15K1-055030515



Driver thorax airbag crash sensor, Front passenger thorax airbag crash sensor, Driver side rear thorax airbag crash sensor, Airbag control module, Driver thorax airbag igniter, Front passenger thorax airbag igniter, Driver head curtain airbag igniter

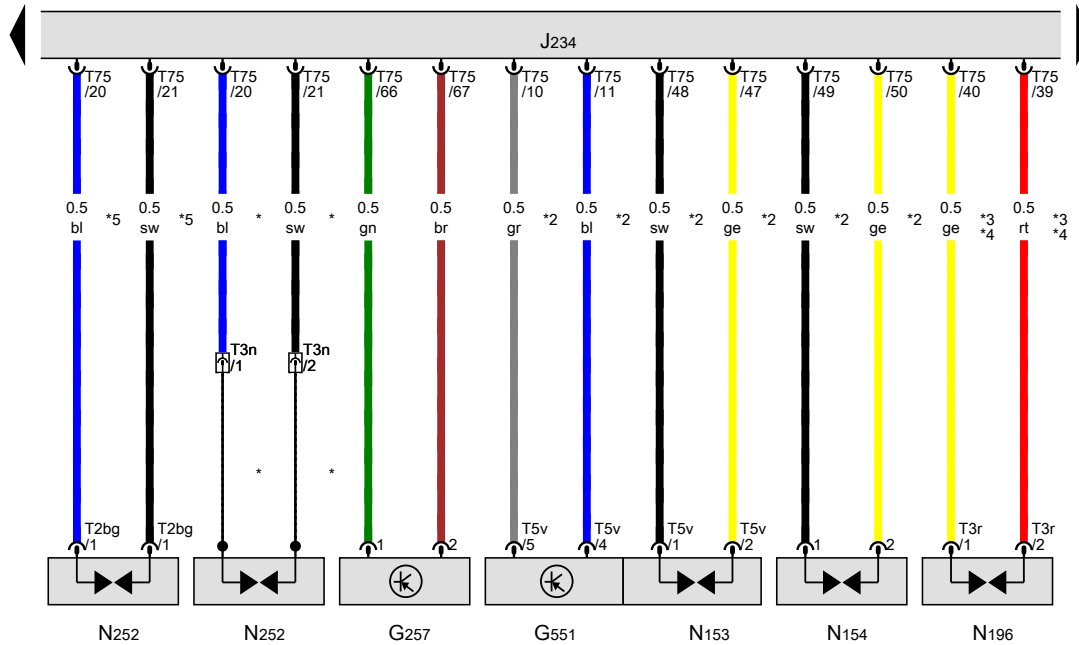
- G179 Driver thorax airbag crash sensor
- G180 Front passenger thorax airbag crash sensor
- G256 Driver side rear thorax airbag crash sensor
- J234 Airbag control module, behind the center console
- N199 Driver thorax airbag igniter
- N200 Front passenger thorax airbag igniter
- N251 Driver head curtain airbag igniter
- T2bf Double connector
- T3k 3-pin connector, in the driver seat backrest
- T3l 3-pin connector, under the front passenger seat
- T3m 3-pin connector, behind the left C-pillar trim panel
- T28 28-pin connector, behind the lower left A-pillar trim
- T28a 28-pin connector, behind the lower right A-pillar trim
- T75 75-pin connector

- 109 Ground connection (in airbag wiring harness)
- \* Only for vehicles with 4 doors
- \*2 Only for vehicles with 2-door equipment

- ws = white
- sw = black
- ro = red
- rt = red
- br = brown
- gn = green
- bl = blue
- gr = grey
- li = lilac
- vi = lilac
- ge = yellow
- or = orange
- rs = pink

15K1-0550405151





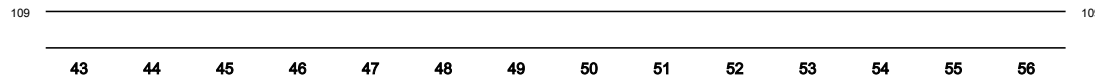
Passenger side rear thorax airbag crash sensor, Driver belt force limiter, Airbag control module, Driver seat belt tensioner igniter 1, Front passenger seat belt tensioner igniter 1, Driver side rear seat belt tensioner igniter, Front passenger head curtain airbag igniter

- G257 Passenger side rear thorax airbag crash sensor
- G551 Driver belt force limiter
- J234 Airbag control module, behind the center console
- N153 Driver seat belt tensioner igniter 1
- N154 Front passenger seat belt tensioner igniter 1
- N196 Driver side rear seat belt tensioner igniter
- N252 Front passenger head curtain airbag igniter
- T2bg Double connector
- T3n 3-pin connector, behind the right C-pillar trim panel
- T3r 3-pin connector
- T5v 5-pin connector
- T75 75-pin connector

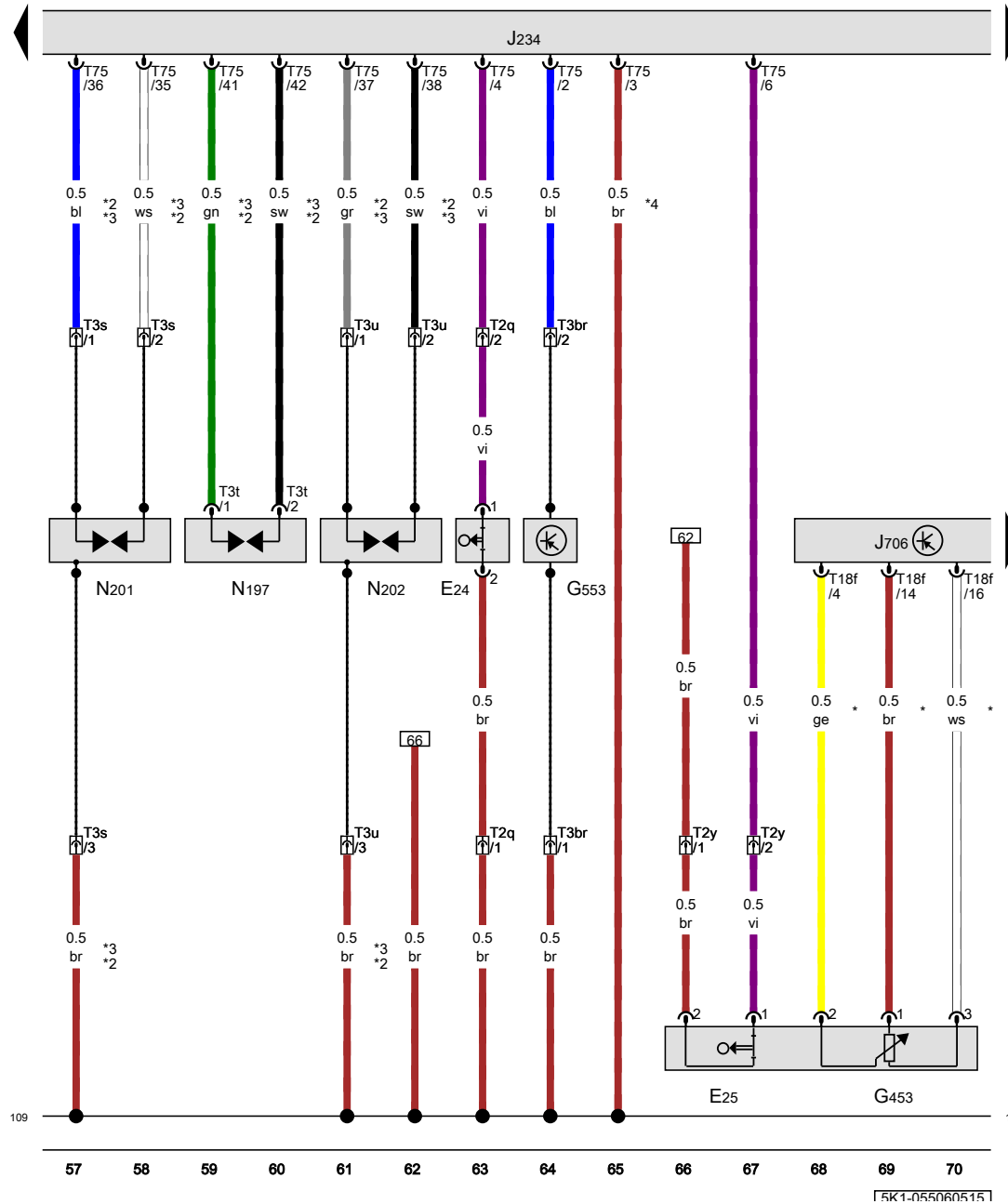
109 Ground connection (in airbag wiring harness)

- \* Only for vehicles with 4 doors
- \*2 Only for vehicles with seat belt tensioners
- \*3 Only for vehicles with rear thorax airbags
- \*4 Only for vehicles with rear seat belt tensioners
- \*5 Only for vehicles with 2-door equipment

- ws = white
- sw = black
- ro = red
- rt = red
- br = brown
- gn = green
- bl = blue
- gr = grey
- li = lilac
- vi = lilac
- ge = yellow
- or = orange
- rs = pink



15K1-0550505151



Driver seat belt switch, Front passenger seat belt switch, Passenger occupant detection system seat belt force sensor, Driver seat position sensor, Airbag control module, Passenger side rear seat belt tensioner igniter, Driver side rear thorax airbag igniter, Passenger side rear thorax airbag igniter

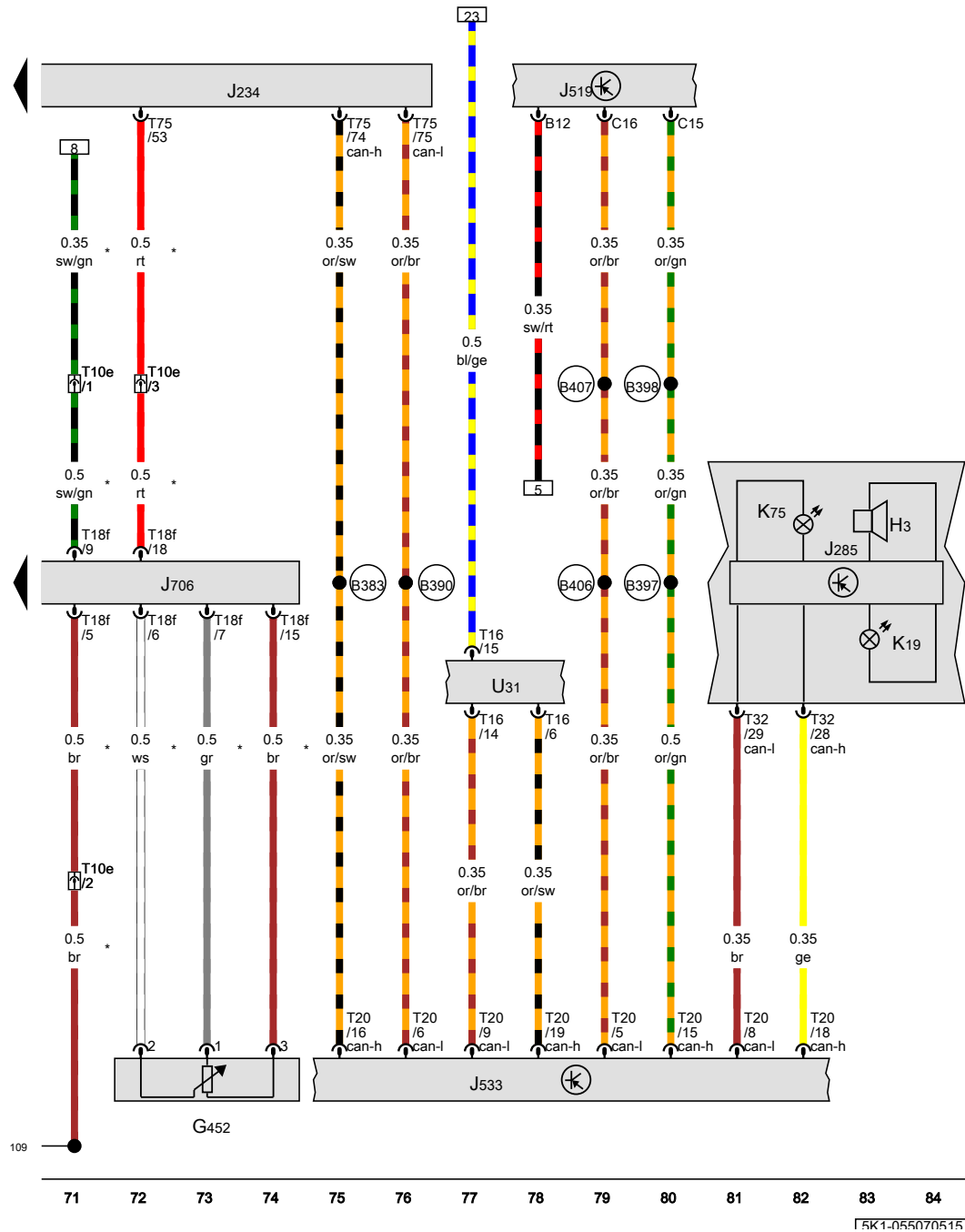
- E24 Driver seat belt switch
- E25 Front passenger seat belt switch
- G453 Passenger occupant detection system seat belt force sensor
- G553 Driver seat position sensor
- J234 Airbag control module, behind the center console
- J706 Passenger occupant detection system control module, under the front passenger seat
- N197 Passenger side rear seat belt tensioner igniter
- N201 Driver side rear thorax airbag igniter
- N202 Passenger side rear thorax airbag igniter
- T2q Double connector, under the driver seat
- T2y Double connector, under the front passenger seat
- T3br 3-pin connector, under the driver seat
- T3s 3-pin connector
- T3t 3-pin connector
- T3u 3-pin connector
- T18f 18-pin connector
- T75 75-pin connector

109 Ground connection (in airbag wiring harness)

- \* Only for vehicles with a passive occupant detection system
- \*2 Only for vehicles with rear seat belt tensioners
- \*3 Only for vehicles with rear thorax airbags
- \*4 from October 2009

- ws = white
- sw = black
- ro = red
- rt = red
- br = brown
- gn = green
- bl = blue
- gr = grey
- li = lilac
- vi = lilac
- ge = yellow
- or = orange
- rs = pink

15K1-055060515



**Passenger occupant detection system pressure sensor, Warning buzzer and tone, Airbag control module, Instrument cluster control module, Data bus on board diagnostic interface, Seat belt indicator lamp, Airbag indicator lamp**

- G452 Passenger occupant detection system pressure sensor
- H3 Warning buzzer and tone
- J234 Airbag control module, behind the center console
- J285 Instrument cluster control module
- J519 Vehicle electrical control module system
- J533 Data bus on board diagnostic interface, in the left footwell, near the center console
- J706 Passenger occupant detection system control module, under the front passenger seat
- K19 Seat belt indicator lamp
- K75 Airbag indicator lamp
- T10e 10-pin connector, under the front passenger seat
- T16 16-pin connector
- T18f 18-pin connector
- T20 20-pin connector
- T32 32-pin connector
- T75 75-pin connector
- U31 Diagnostic connection

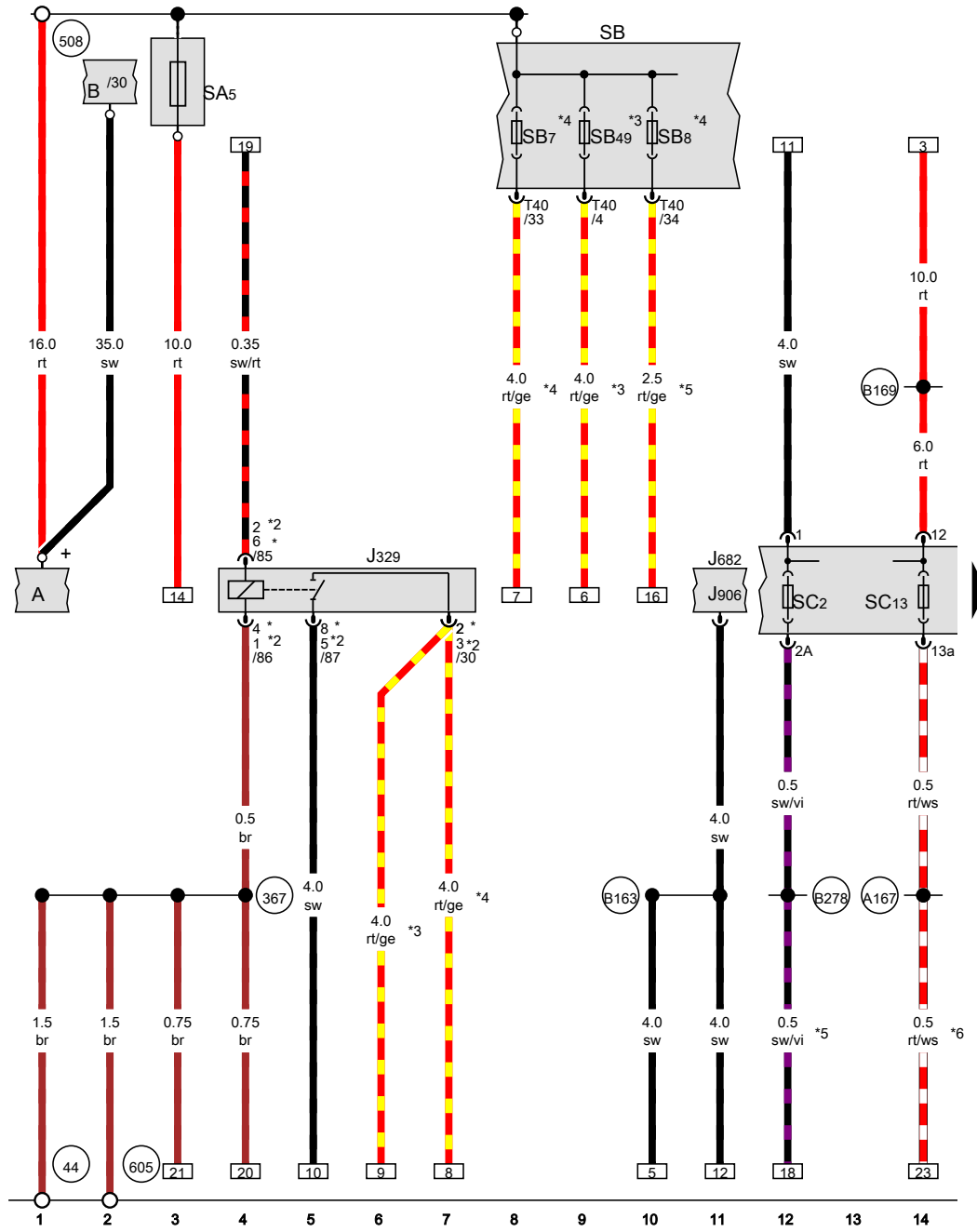
- 109 Ground connection (in airbag wiring harness)
- B383 Powertrain CAN bus high connection 1 (in main wiring harness)
- B390 Powertrain CAN bus low connection 1 (in main wiring harness)
- B397 Comfort system CAN bus high connection 1 (in main wiring harness)
- B398 Comfort system CAN bus high connection 2 (in main wiring harness)
- B406 Comfort system CAN bus low connection 1 (in main wiring harness)
- B407 Comfort system CAN bus low connection 2 (in main wiring harness)

\* Only for vehicles with a passive occupant detection system

- ws = white
- sw = black
- ro = red
- rt = red
- br = brown
- gn = green
- bl = blue
- gr = grey
- li = lilac
- vi = lilac
- ge = yellow
- or = orange
- rs = pink

15K1-055070515

**Compass , (QR1)**  
from May 2009



Terminal 15 power supply relay, Fuse panel B, Fuse 2 (on fuse panel C), Fuse 5 (on fuse panel A), Fuse 13 (on fuse panel C)

- A Battery
- B Starter
- J329 Terminal 15 power supply relay
- J682 Terminal 50 power supply relay
- J906 Starter relay 1
- SB Fuse panel B
- SC2 Fuse 2 (on fuse panel C)
- SA5 Fuse 5 (on fuse panel A)
- SB7 Fuse 7 (on fuse panel B)
- SB8 Fuse 8 (on fuse panel B)
- SC13 Fuse 13 (on fuse panel C)
- SB49 Fuse 49 (on fuse panel B)
- T40 40-pin connector

- 44 Ground connection on A-pillar, lower left
- 367 Ground connection 2 (in main wiring harness)
- 508 Terminal 30 threaded connection (on E-box)
- 605 Ground connection on upper steering column
- A167 Positive connection 3 (30a) (in instrument panel wiring harness)
- B163 Positive connection 1 (15) (in interior wiring harness)
- B169 Positive connection 1 (30) (in interior wiring harness)
- B278 Positive connection 2 (15a) (in main wiring harness)

- ws = white
- sw = black
- ro = red
- rt = red
- br = brown
- gn = green
- bl = blue
- gr = grey
- li = lilac
- vi = lilac
- ge = yellow
- or = orange
- rs = pink

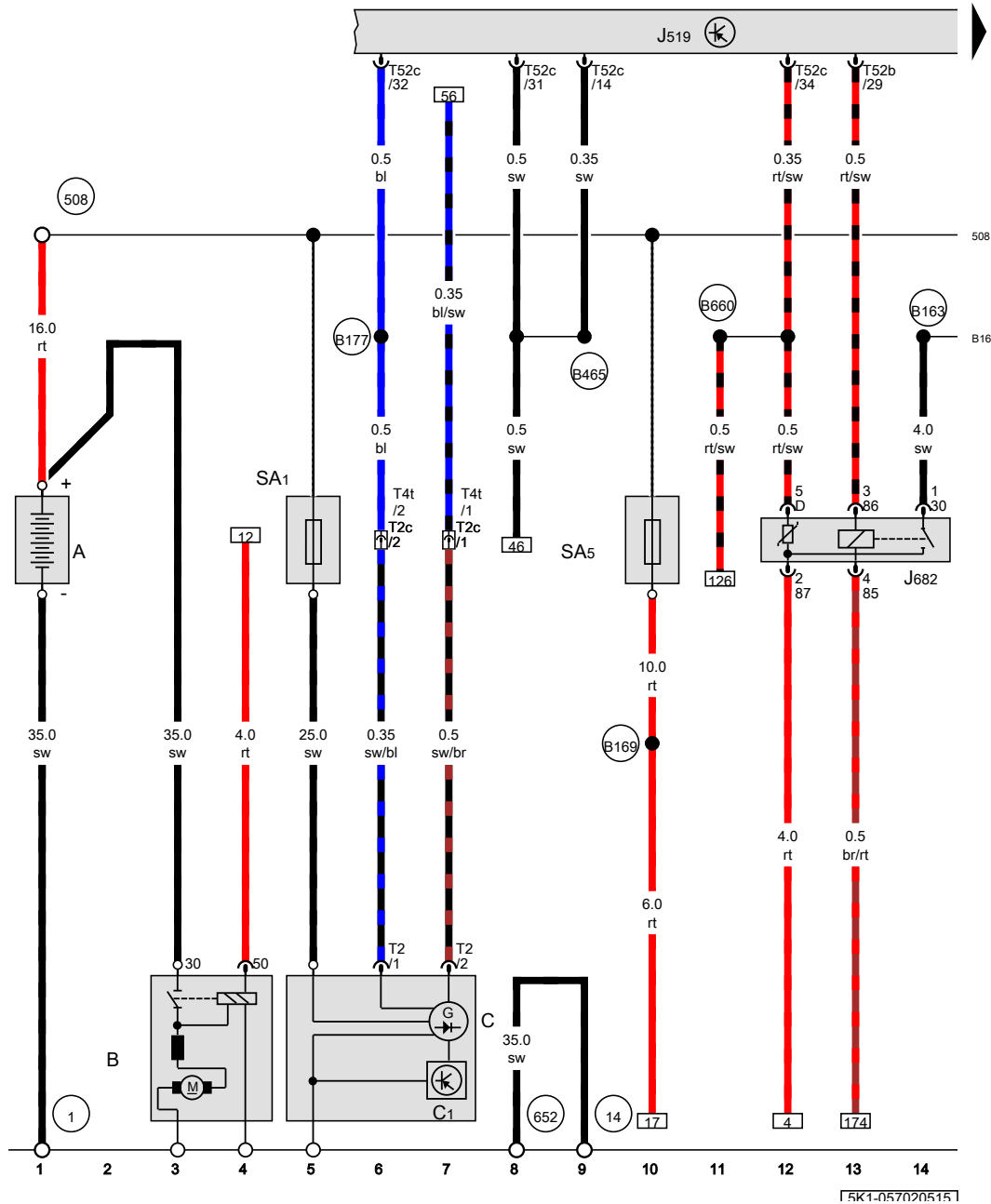
- \* Through October 2009
- \*2 from November 2009
- \*3 E-Box high
- \*4 E-Box low
- \*5 Only for vehicles with Start/Stop system
- \*6 Only for vehicles without Start/Stop system

15K1-0560205151



2.0L gasoline engine , CBFA  
from June 2009

Battery, Starter, Generator, Vehicle electrical control module system, Terminal 50 power supply relay, Fuse 1 (on fuse panel A), Fuse 5 (on fuse panel A)

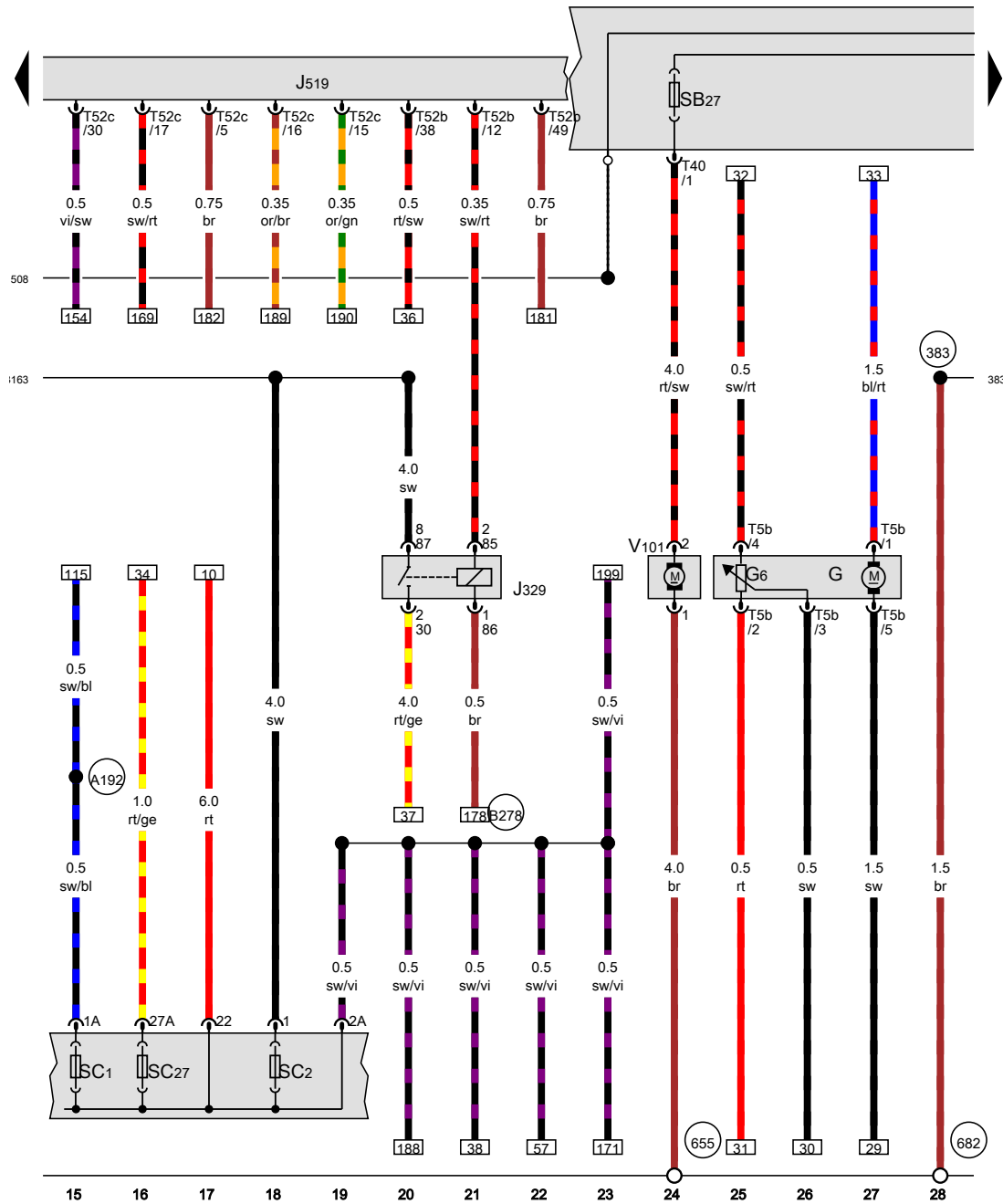


- A Battery
  - B Starter
  - C Generator
  - C1 Voltage regulator
  - J519 Vehicle electrical control module system
  - J682 Terminal 50 power supply relay
  - SA1 Fuse 1 (on fuse panel A)
  - SA5 Fuse 5 (on fuse panel A)
  - T2 Double connector
  - T2c Double connector, near the starter
  - T52b 52-pin connector
  - T52c 52-pin connector
- 1 Ground strap, battery to body
  - 14 Ground connection on transmission
  - 508 Terminal 30 threaded connection (on E-box)
  - 652 Transmission/engine ground connection
  - B163 Positive connection 1 (15) (in interior wiring harness)
  - B169 Positive connection 1 (30) (in interior wiring harness)
  - B177 Connection 61 (in interior wiring harness)
  - B465 Connection 1 (in main wiring harness)
  - B660 Diagnostic terminal 50 connection (in main wiring harness)

ws = white  
 sw = black  
 ro = red  
 rt = red  
 br = brown  
 gn = green  
 bl = blue  
 gr = grey  
 li = lilac  
 vi = lilac  
 ge = yellow  
 or = orange  
 rs = pink

15K1-057020515





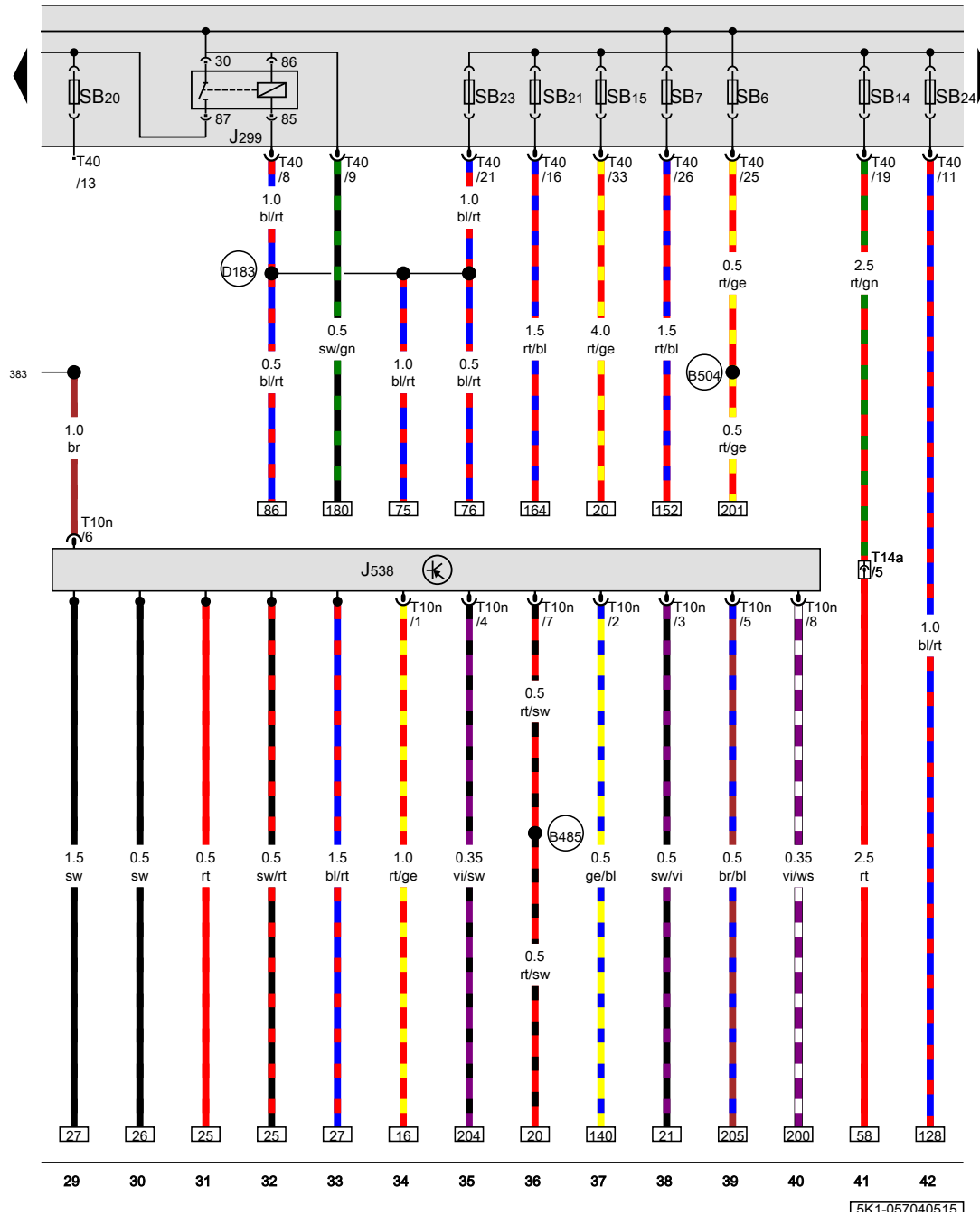
Fuel level sensor, Transfer fuel pump, Terminal 15 power supply relay, Vehicle electrical control module system, Secondary air injection pump motor

- G Fuel level sensor
- G6 Transfer fuel pump
- J329 Terminal 15 power supply relay
- J519 Vehicle electrical control module system
- SC1 Fuse 1 (on fuse panel C)
- SC2 Fuse 2 (on fuse panel B)
- SB27 Fuse 27 (on fuse panel B)
- SC27 Fuse 27 (on fuse panel C)
- T5b 5-pin connector
- T40 40-pin connector
- T52b 52-pin connector
- T52c 52-pin connector
- V101 Secondary air injection pump motor

- (383) Ground connection 18 (in main wiring harness)
- (508) Terminal 30 threaded connection (on E-box)
- (655) Ground connection on left headlamp
- (682) Ground connection 2 in right rear side panel
- (A192) Positive connection 3 (15a) (in instrument panel wiring harness)
- (B163) Positive connection 1 (15) (in interior wiring harness)
- (B278) Positive connection 2 (15a) (in main wiring harness)

- ws = white
- sw = black
- ro = red
- rt = red
- br = brown
- gn = green
- bl = blue
- gr = grey
- li = lilac
- vi = lilac
- ge = yellow
- or = orange
- rs = pink

15K1-0570305151



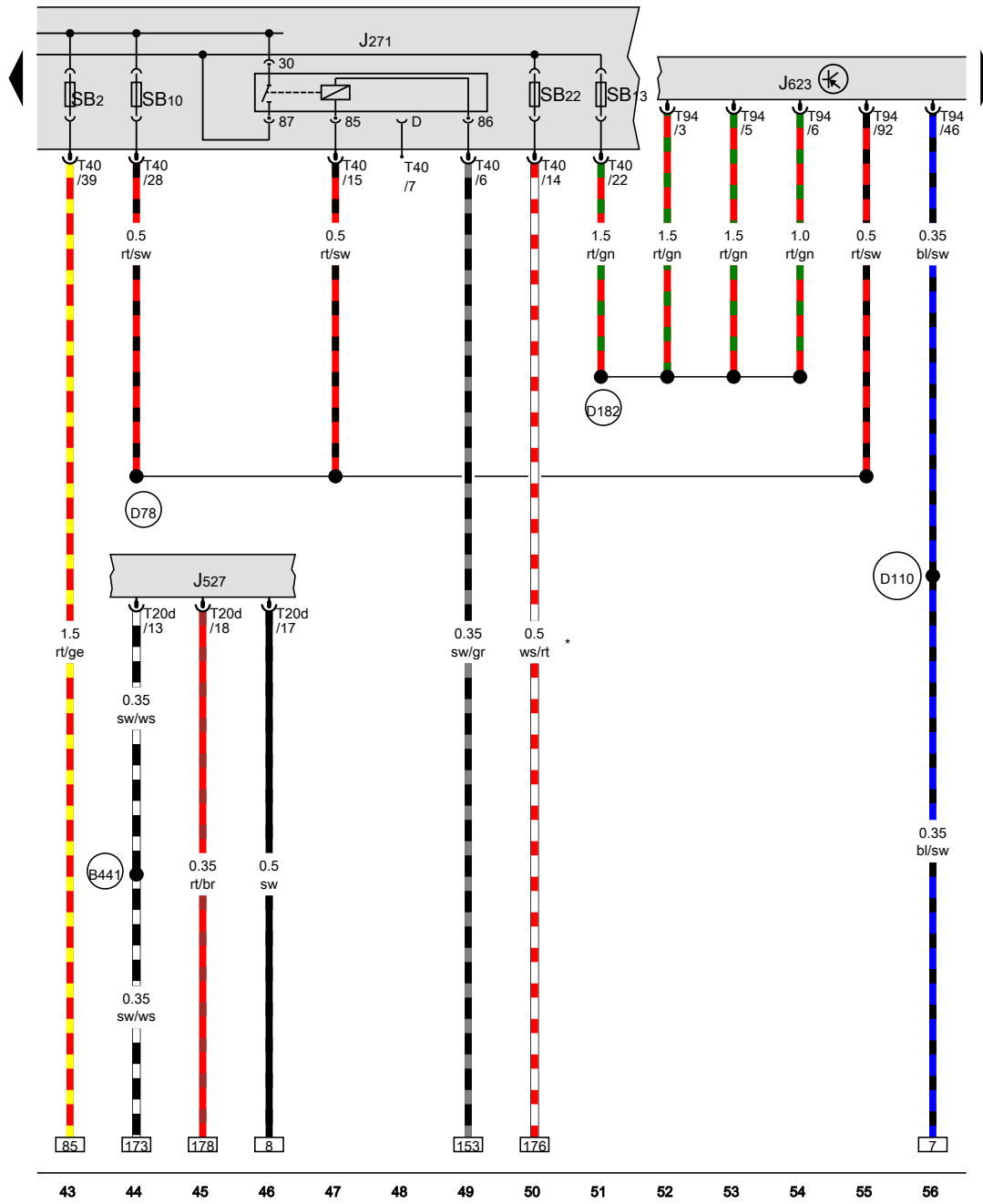
Secondary air injection pump relay, Fuel pump control module

- J299 Secondary air injection pump relay
- J538 Fuel pump control module
- SB6 Fuse 6 (on fuse panel B)
- SB7 Fuse 7 (on fuse panel B)
- SB14 Fuse 14 (on fuse panel B)
- SB15 Fuse 15 (on fuse panel B)
- SB20 Fuse 20 (on fuse panel B)
- SB21 Fuse 21 (on fuse panel B)
- SB23 Fuse 23 (on fuse panel B)
- SB24 Fuse 24 (on fuse panel B)
- T10n 10-pin connector
- T14a 14-pin connector, near the battery
- T40 40-pin connector

- 383 Ground connection 18 (in main wiring harness)
- B485 Connection 21 (in main wiring harness)
- B504 Positive connection 8 (30a) (in interior wiring harness)
- D183 Connection 4 (87a) (in engine compartment wiring harness)

- ws = white
- sw = black
- ro = red
- rt = red
- br = brown
- gn = green
- bl = blue
- gr = grey
- li = lilac
- vi = lilac
- ge = yellow
- or = orange
- rs = pink

15K1-057040515



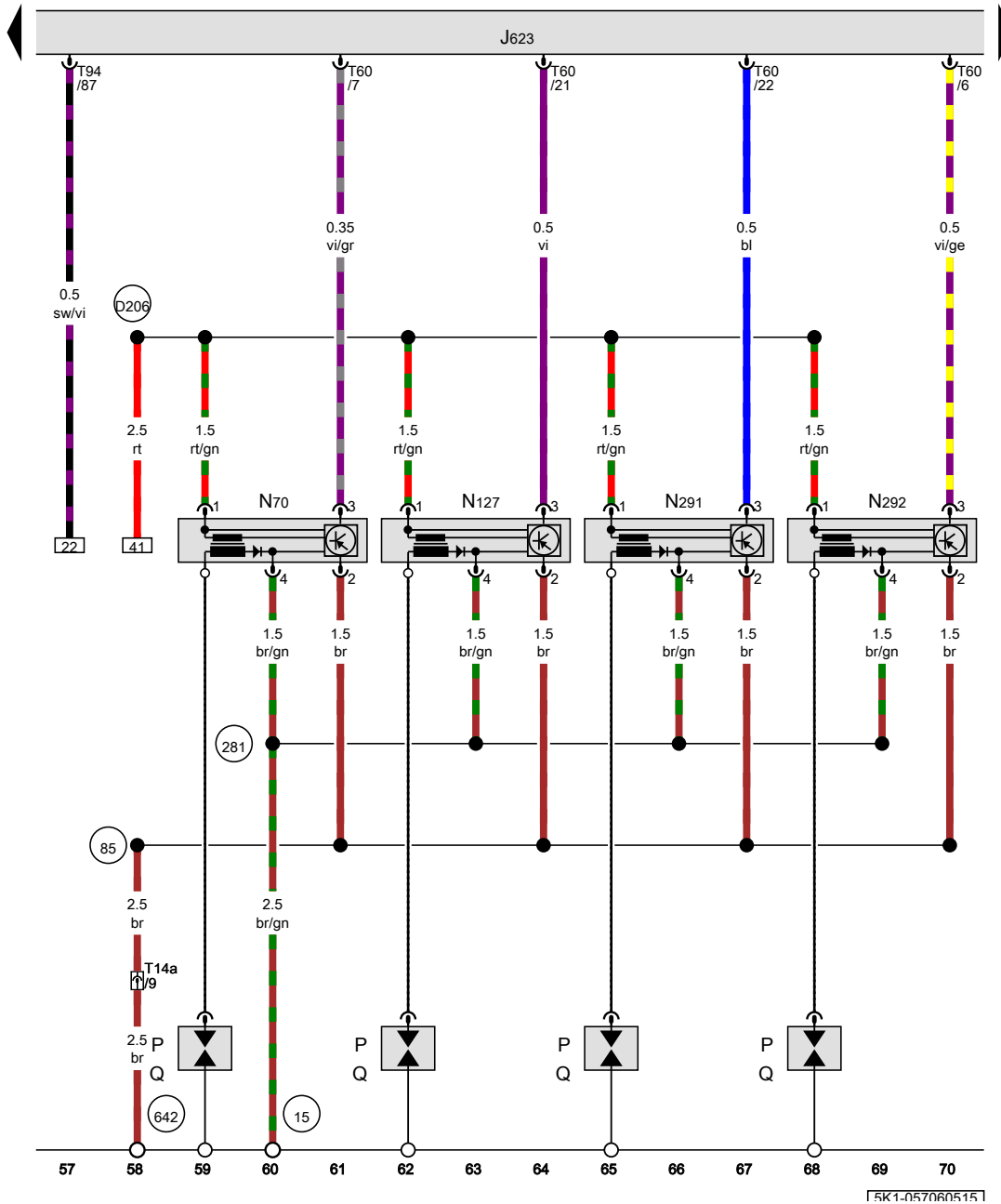
**Motronic engine control module power supply relay, Engine control module**

- J271 Motronic engine control module power supply relay
- J527 Steering column electronics control module
- J623 Engine control module, in the center plenum chamber
- SB2 Fuse 2 (on fuse panel B)
- SB10 Fuse 10 (on fuse panel B)
- SB13 Fuse 13 (on fuse panel B)
- SB22 Fuse 22 (on fuse panel B)
- T20d 20-pin connector
- T40 40-pin connector
- T94 94-pin connector

- (B441) Cruise control connection (in main wiring harness)
- (D78) Positive connection 1 (30a) (in engine compartment wiring harness)
- (D110) Connection 8 (in engine compartment wiring harness)
- (D182) Connection 3 (87a) (in engine compartment wiring harness)
- \* Only for vehicles with a manual transmission

- ws = white
- sw = black
- ro = red
- rt = red
- br = brown
- gn = green
- bl = blue
- gr = grey
- li = lilac
- vi = lilac
- ge = yellow
- or = orange
- rs = pink

15K1-057050515

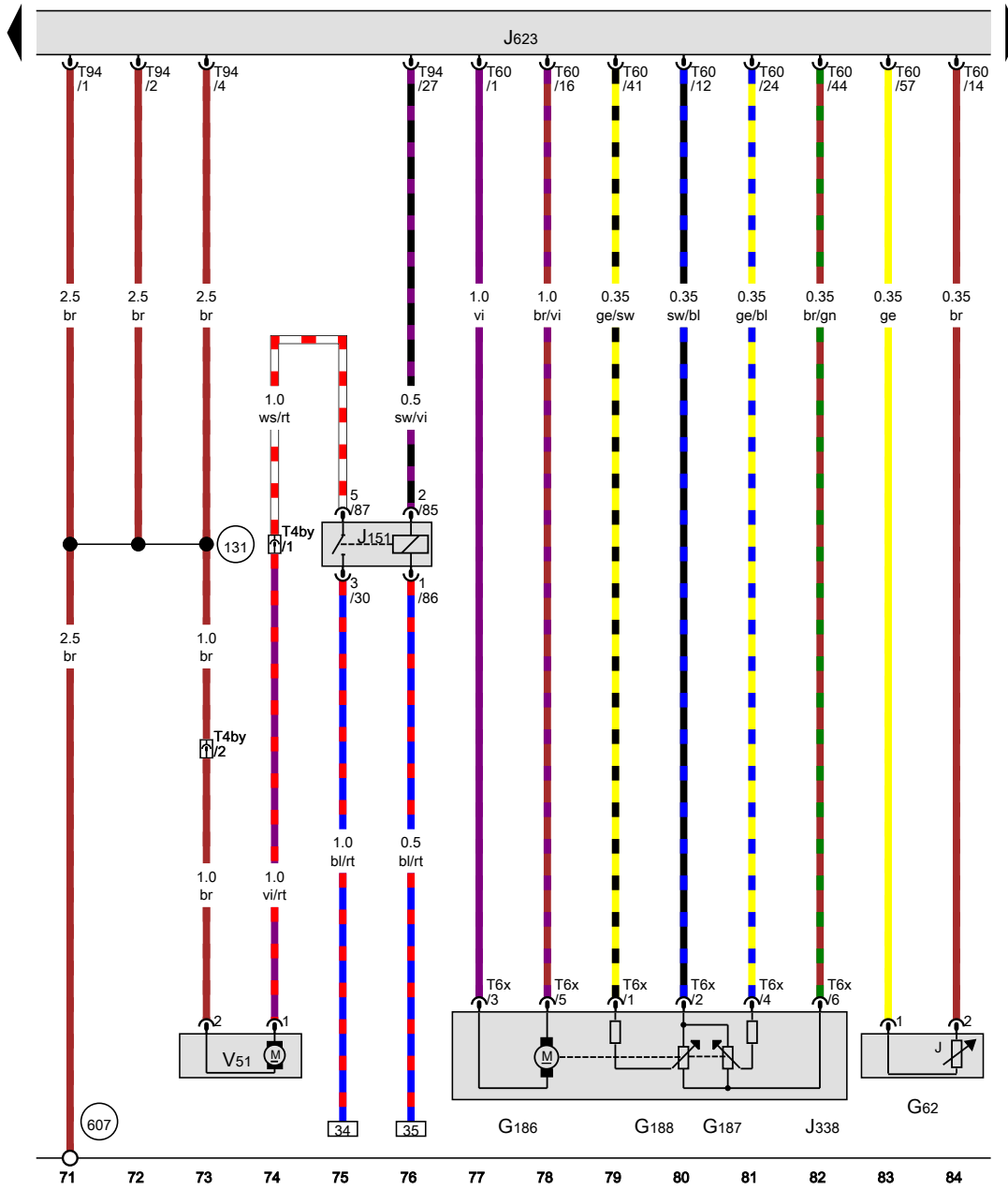


Engine control module, Ignition coil 1 with power output stage, Ignition coil 2 with power output stage, Ignition coil 3 with power output stage, Ignition coil 4 with power output stage

- J623 Engine control module, in the center plenum chamber
- N70 Ignition coil 1 with power output stage
- N127 Ignition coil 2 with power output stage
- N291 Ignition coil 3 with power output stage
- N292 Ignition coil 4 with power output stage
- P Spark plug connectors
- Q Spark plugs
- T14a 14-pin connector, near the battery
- T60 60-pin connector
- T94 94-pin connector

- 15 Ground connection on cylinder head
- 85 Ground connection 1 (in engine compartment wiring harness)
- 281 Ground connection 1 (in engine pre-wiring harness)
- 642 Electronic fan control ground connection
- D206 Connection 87a (in engine pre-wiring harness) 4

- ws = white
- sw = black
- ro = red
- rt = red
- br = brown
- gn = green
- bl = blue
- gr = grey
- li = lilac
- vi = lilac
- ge = yellow
- or = orange
- rs = pink



Engine coolant temperature sensor, Coolant circulation pump relay, Throttle valve control module, Engine control module, After-run coolant pump

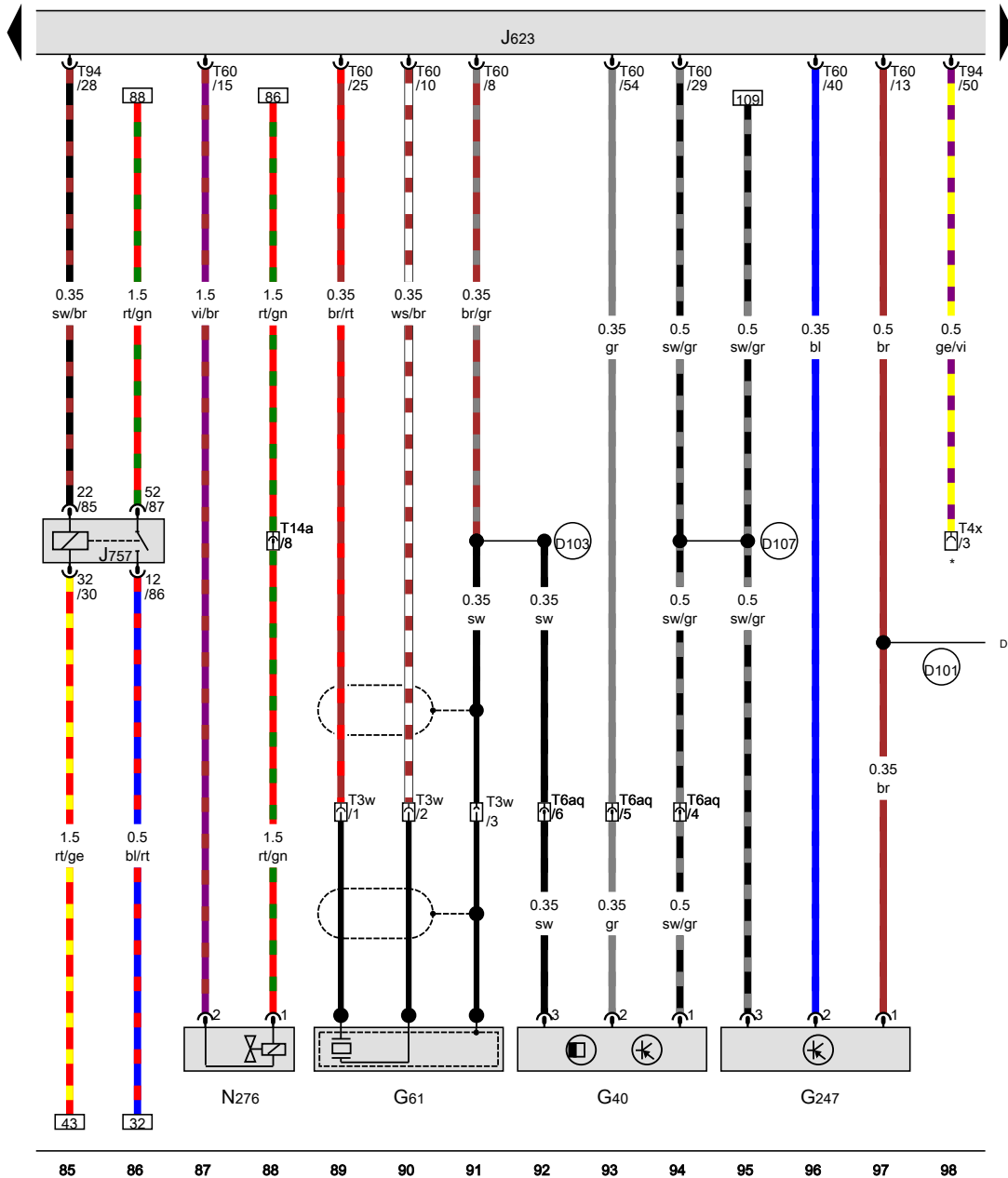
- G62 Engine coolant temperature sensor
- G186 EPC throttle drive
- G187 EPC throttle drive angle sensor 1
- G188 EPC throttle drive angle sensor 2
- J151 Coolant circulation pump relay
- J338 Throttle valve control module
- J623 Engine control module, in the center plenum chamber
- T4by 4-pin connector, in the engine compartment, left
- T6x 6-pin connector
- T60 60-pin connector
- T94 94-pin connector
- V51 After-run coolant pump

- 131 Ground connection 2 (in engine compartment wiring harness)
- 607 Ground connection in plenum chamber, left

- ws = white
- sw = black
- ro = red
- rt = red
- br = brown
- gn = green
- bl = blue
- gr = grey
- li = lilac
- vi = lilac
- ge = yellow
- or = orange
- rs = pink

15K1-057070515

Camshaft position sensor, Knock sensor 1, Fuel pressure sensor, Engine control module, Fuel pressure regulator valve

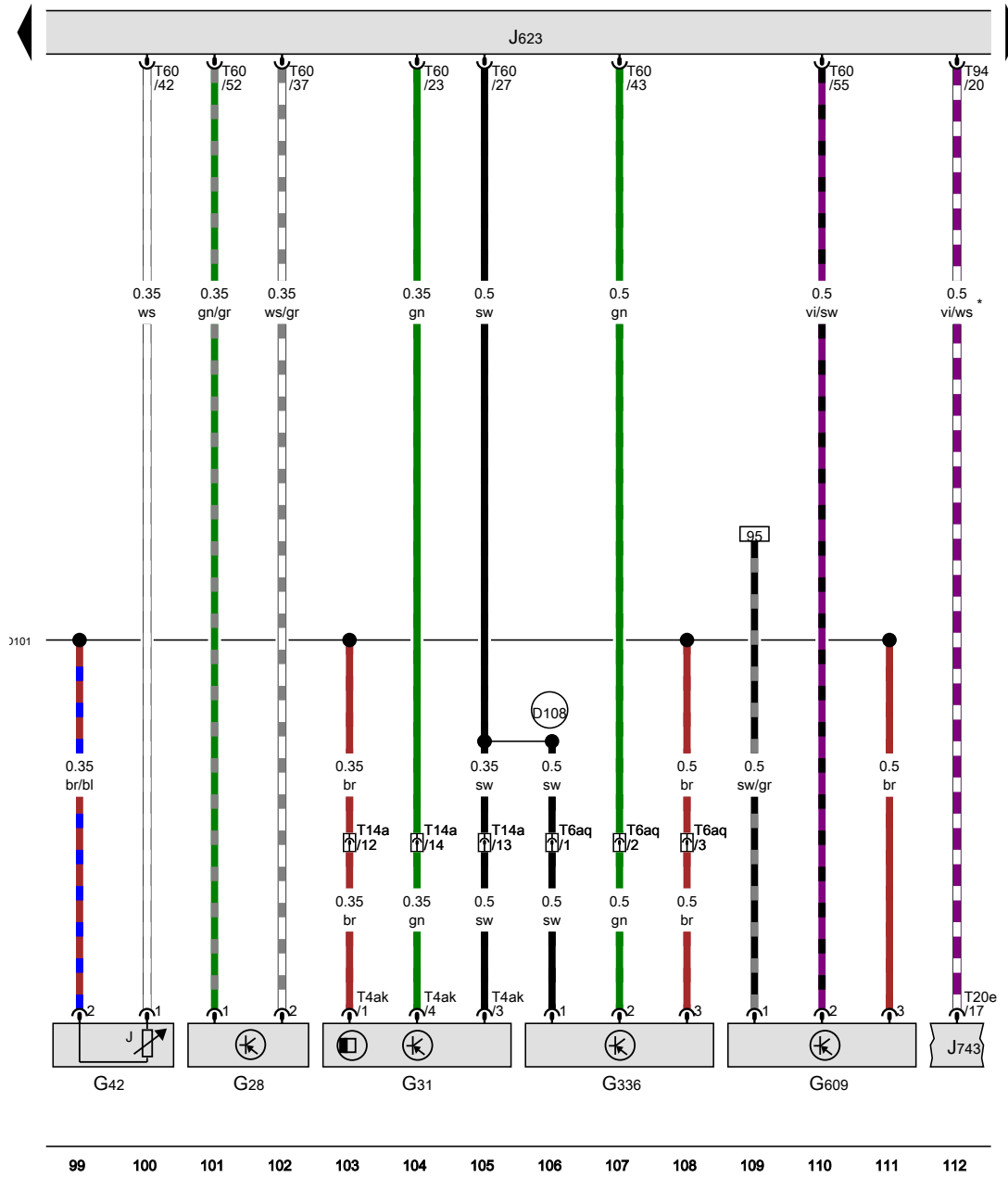


- G40 Camshaft position sensor
- G61 Knock sensor 1
- G247 Fuel pressure sensor
- J623 Engine control module, in the center plenum chamber
- J757 Engine component power supply relay
- N276 Fuel pressure regulator valve
- T3w 3-pin connector, on the engine, front
- T4x 4-pin connector
- T6aq 6-pin connector, on the engine, front
- T14a 14-pin connector, near the battery
- T60 60-pin connector
- T94 94-pin connector

- (D101) Connection 1 (in engine compartment wiring harness)
- (D103) Connection 3 (in engine compartment wiring harness)
- (D107) Connection 5 (in engine compartment wiring harness)
- \* Coolant fan connection

- ws = white
- sw = black
- ro = red
- rt = red
- br = brown
- gn = green
- bl = blue
- gr = grey
- li = lilac
- vi = lilac
- ge = yellow
- or = orange
- rs = pink

15K1-057080515



Engine speed sensor, Charge air pressure sensor, Intake air temperature sensor, Intake manifold runner position sensor, Secondary air injection sensor 1, Engine control module

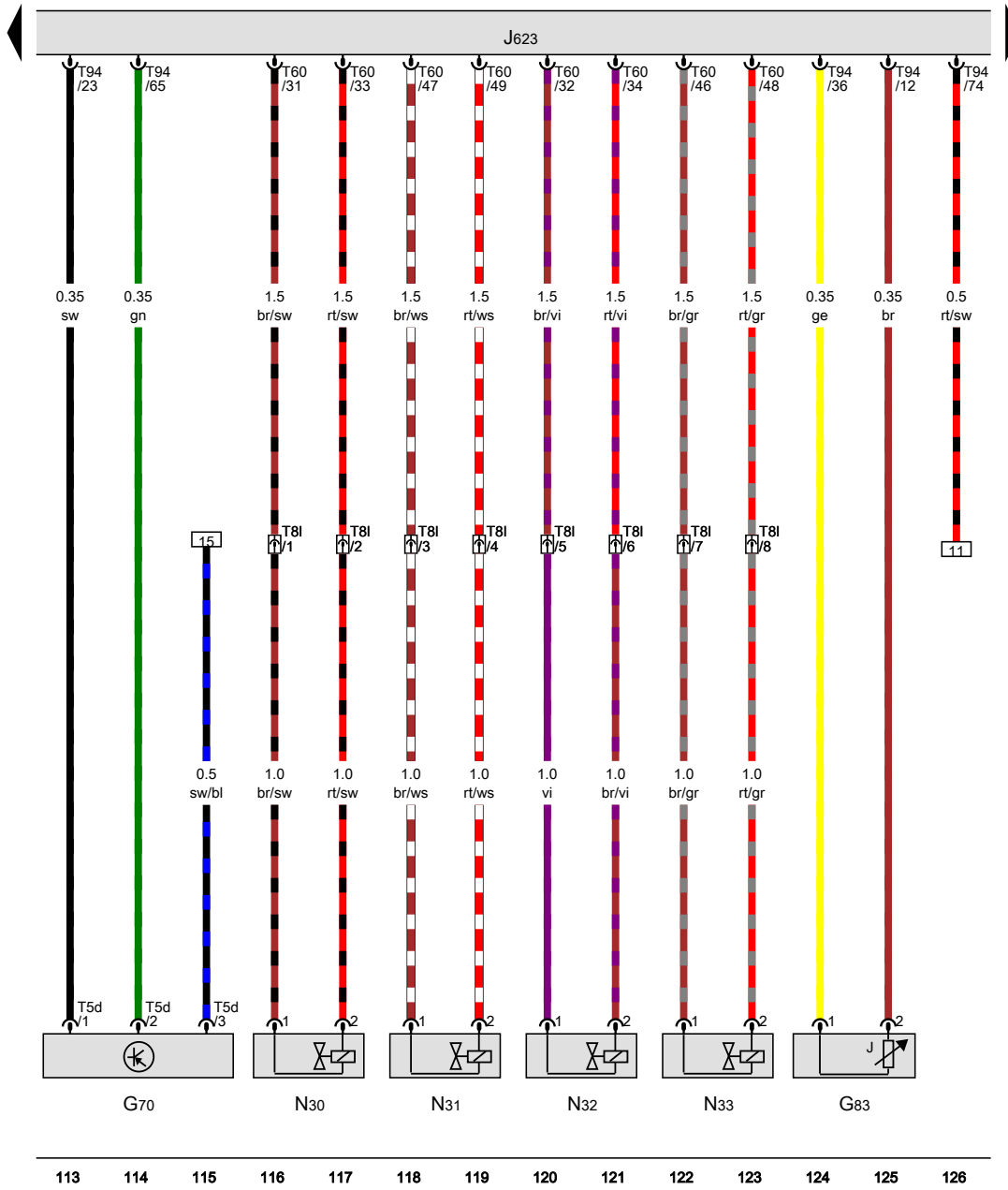
- G28 Engine speed sensor
- G31 Charge air pressure sensor
- G42 Intake air temperature sensor
- G336 Intake manifold runner position sensor
- G609 Secondary air injection sensor 1
- J623 Engine control module, in the center plenum chamber
- J743 DSG transmission Mechatronic
- T4ak 4-pin connector
- T6aq 6-pin connector, on the engine, front
- T14a 14-pin connector, near the battery
- T20e 20-pin connector
- T60 60-pin connector
- T94 94-pin connector

D101 Connection 1 (in engine compartment wiring harness)

D108 Connection 6 (in engine compartment wiring harness)

\* Only for vehicles with DSG transmission

- ws = white
- sw = black
- ro = red
- rt = red
- br = brown
- gn = green
- bl = blue
- gr = grey
- li = lilac
- vi = lilac
- ge = yellow
- or = orange
- rs = pink



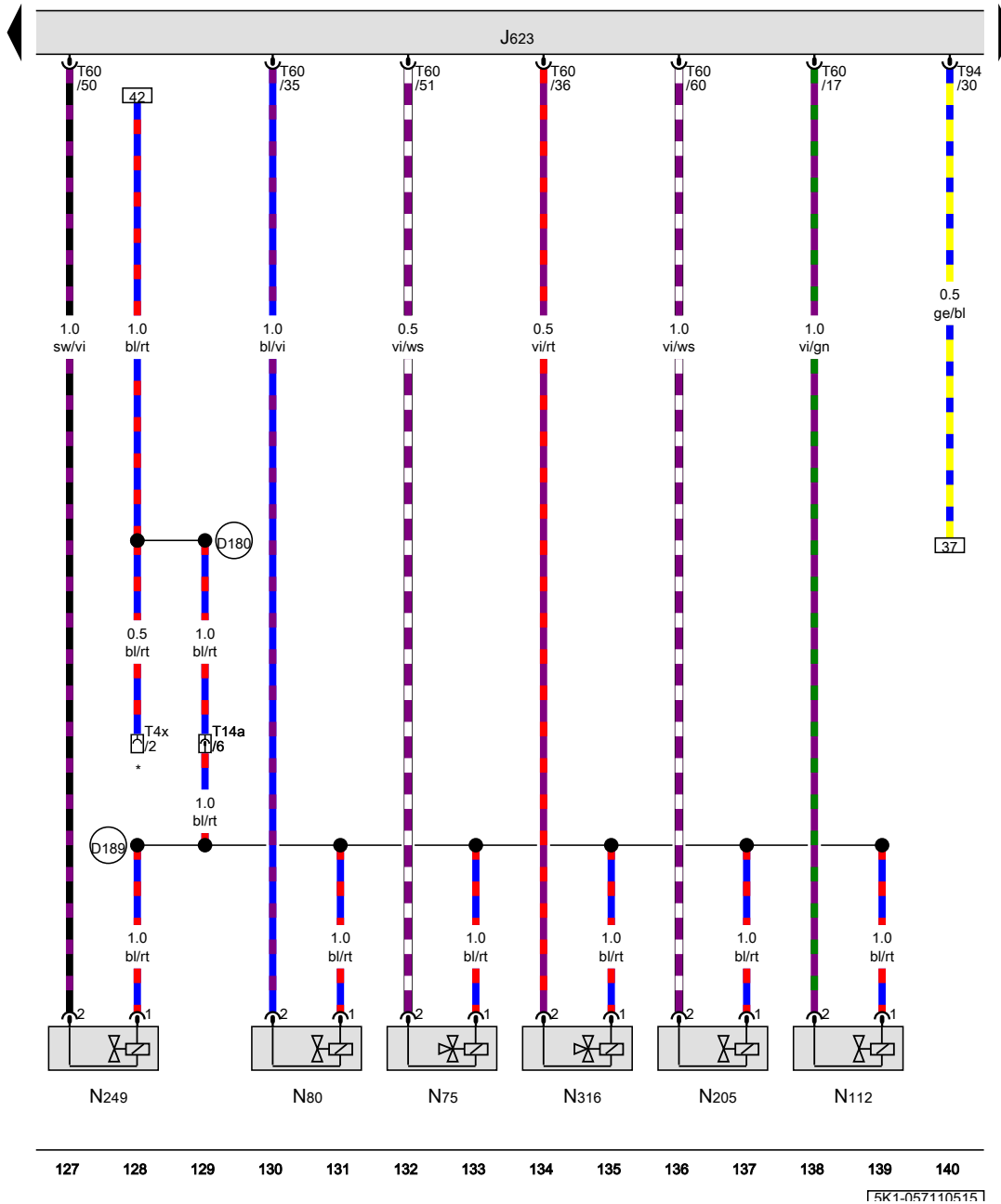
Mass airflow sensor, Engine coolant temperature sensor on radiator outlet, Engine control module, Cylinder 1 fuel injector, Cylinder 2 fuel injector, Cylinder 3 fuel injector, Cylinder 4 fuel injector

- G70 Mass airflow sensor
- G83 Engine coolant temperature sensor on radiator outlet
- J623 Engine control module, in the center plenum chamber
- N30 Cylinder 1 fuel injector
- N31 Cylinder 2 fuel injector
- N32 Cylinder 3 fuel injector
- N33 Cylinder 4 fuel injector
- T5d 5-pin connector
- T81 8-pin connector, on the engine, front
- T60 60-pin connector
- T94 94-pin connector

- ws = white
- sw = black
- ro = red
- rt = red
- br = brown
- gn = green
- bl = blue
- gr = grey
- li = lilac
- vi = lilac
- ge = yellow
- or = orange
- rs = pink

15K1-057100515





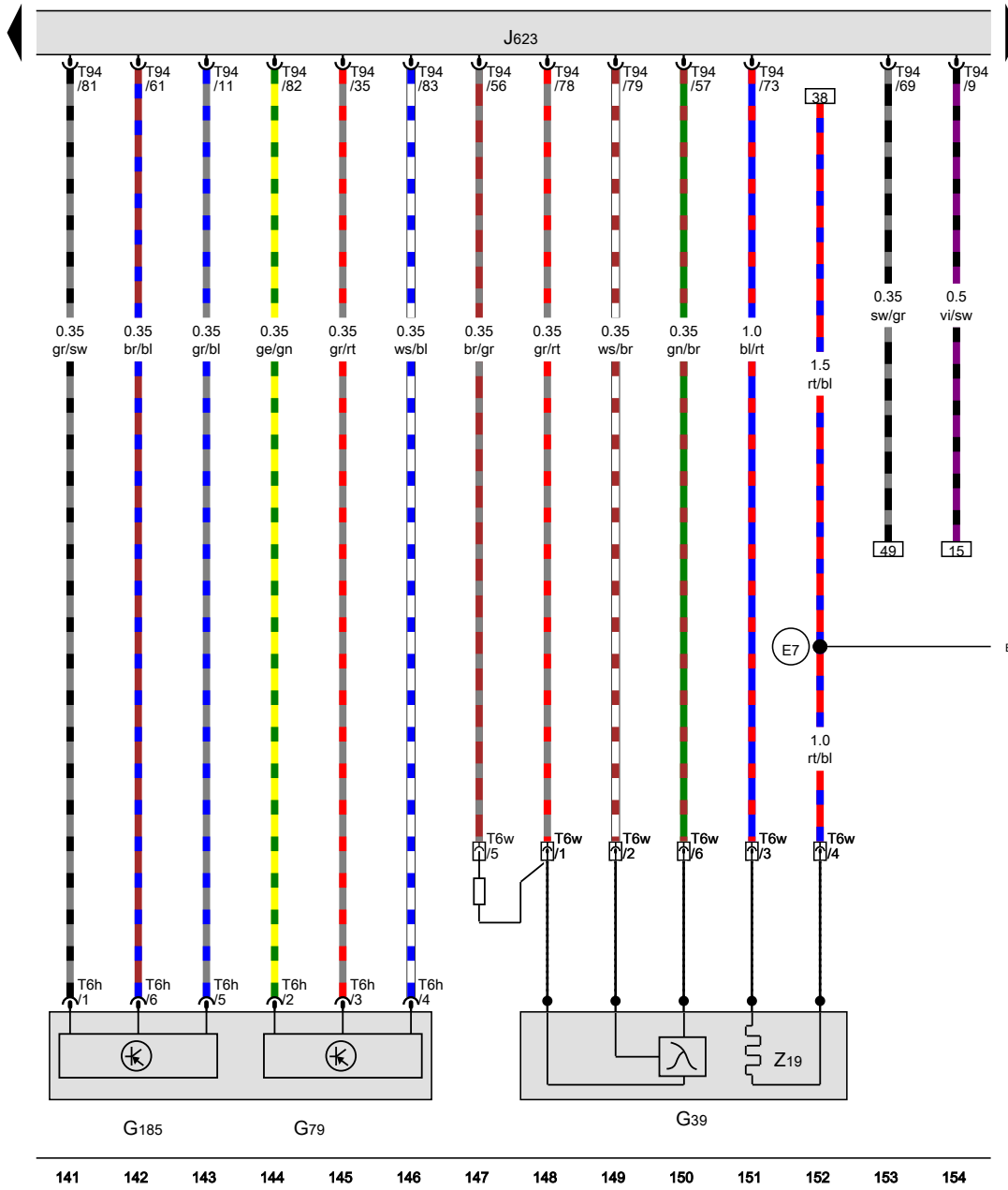
Engine control module, Wastegate bypass regulator valve, EVAP canister purge regulator valve 1, Secondary air injection solenoid valve, Camshaft adjustment valve 1, Turbocharger recirculation valve, Intake manifold runner control valve

- J623 Engine control module, in the center plenum chamber
- N75 Wastegate bypass regulator valve
- N80 EVAP canister purge regulator valve 1
- N112 Secondary air injection solenoid valve
- N205 Camshaft adjustment valve 1
- N249 Turbocharger recirculation valve
- N316 Intake manifold runner control valve
- T4x 4-pin connector
- T14a 14-pin connector, near the battery
- T60 60-pin connector
- T94 94-pin connector
- D180 Connection 87a (in engine compartment wiring harness)
- D189 Connection 87a (in engine pre-wiring harness)
- \* Coolant fan connection

- ws = white
- sw = black
- ro = red
- rt = red
- br = brown
- gn = green
- bl = blue
- gr = grey
- li = lilac
- vi = lilac
- ge = yellow
- or = orange
- rs = pink

15K1-057110515

Heated oxygen sensor, Accelerator pedal position sensor, Accelerator pedal position sensor 2, Engine control module

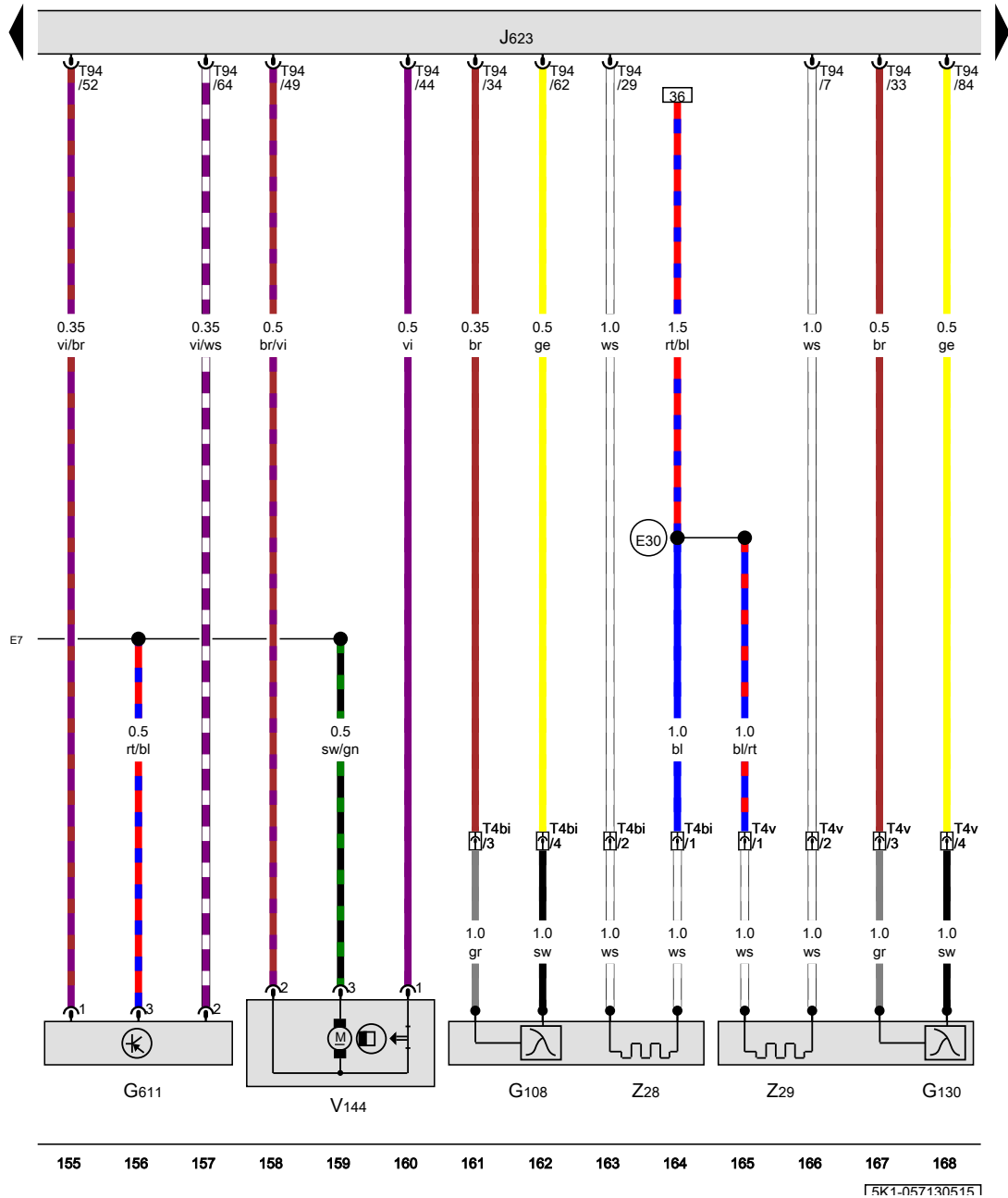


- G39 Heated oxygen sensor
- G79 Accelerator pedal position sensor
- G185 Accelerator pedal position sensor 2
- J623 Engine control module, in the center plenum chamber
- T6h 6-pin connector
- T6w 6-pin connector, in the engine compartment, rear
- T94 94-pin connector
- Z19 Oxygen sensor heater
- (E7) Connection 87a (in Motronic multiform fuel injection wiring harness)

- ws = white
- sw = black
- ro = red
- rt = red
- br = brown
- gn = green
- bl = blue
- gr = grey
- li = lilac
- vi = lilac
- ge = yellow
- or = orange
- rs = pink

15K1-057120515

Heated oxygen sensor 2, Oxygen sensor after catalytic converter, Radiator identification sensor, Engine control module, Leak detection pump

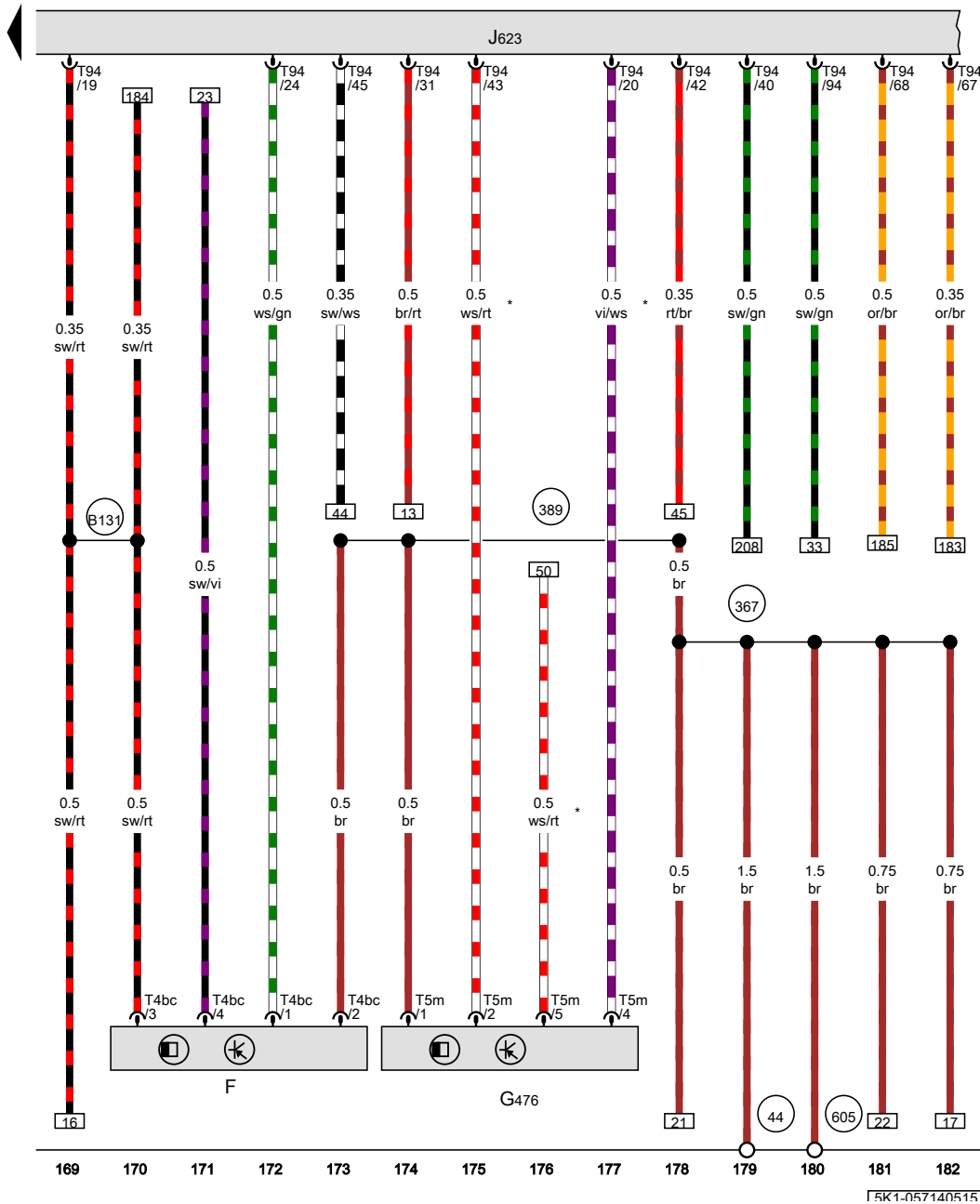


- G108 Heated oxygen sensor 2
- G130 Oxygen sensor after catalytic converter
- G611 Radiator identification sensor
- J623 Engine control module, in the center plenum chamber
- T4bi 4-pin connector, near the oxygen sensor
- T4v 4-pin connector, near the oxygen sensor
- T94 94-pin connector
- V144 Leak detection pump
- Z28 Oxygen sensor 2 heater
- Z29 Heater for oxygen sensor 1 after catalytic converter
- (E7) Connection 87a (in Motronic multiform fuel injection wiring harness)
- (E30) Connection 87a (in engine wiring harness)

- ws = white
- sw = black
- ro = red
- rt = red
- br = brown
- gn = green
- bl = blue
- gr = grey
- li = lilac
- vi = lilac
- ge = yellow
- or = orange
- rs = pink

15K1-057130515

Brake lamp switch, Clutch position sensor, Engine control module



- F Brake lamp switch
- G476 Clutch position sensor
- J623 Engine control module, in the center plenum chamber
- T4bc 4-pin connector
- T5m 5-pin connector
- T94 94-pin connector

- 44 Ground connection on A-pillar, lower left
- 367 Ground connection 2 (in main wiring harness)
- 389 Ground connection 24 (in main wiring harness)
- 605 Ground connection on upper steering column
- B131 Connection 54 (in interior wiring harness)
- \* Only for vehicles with a manual transmission

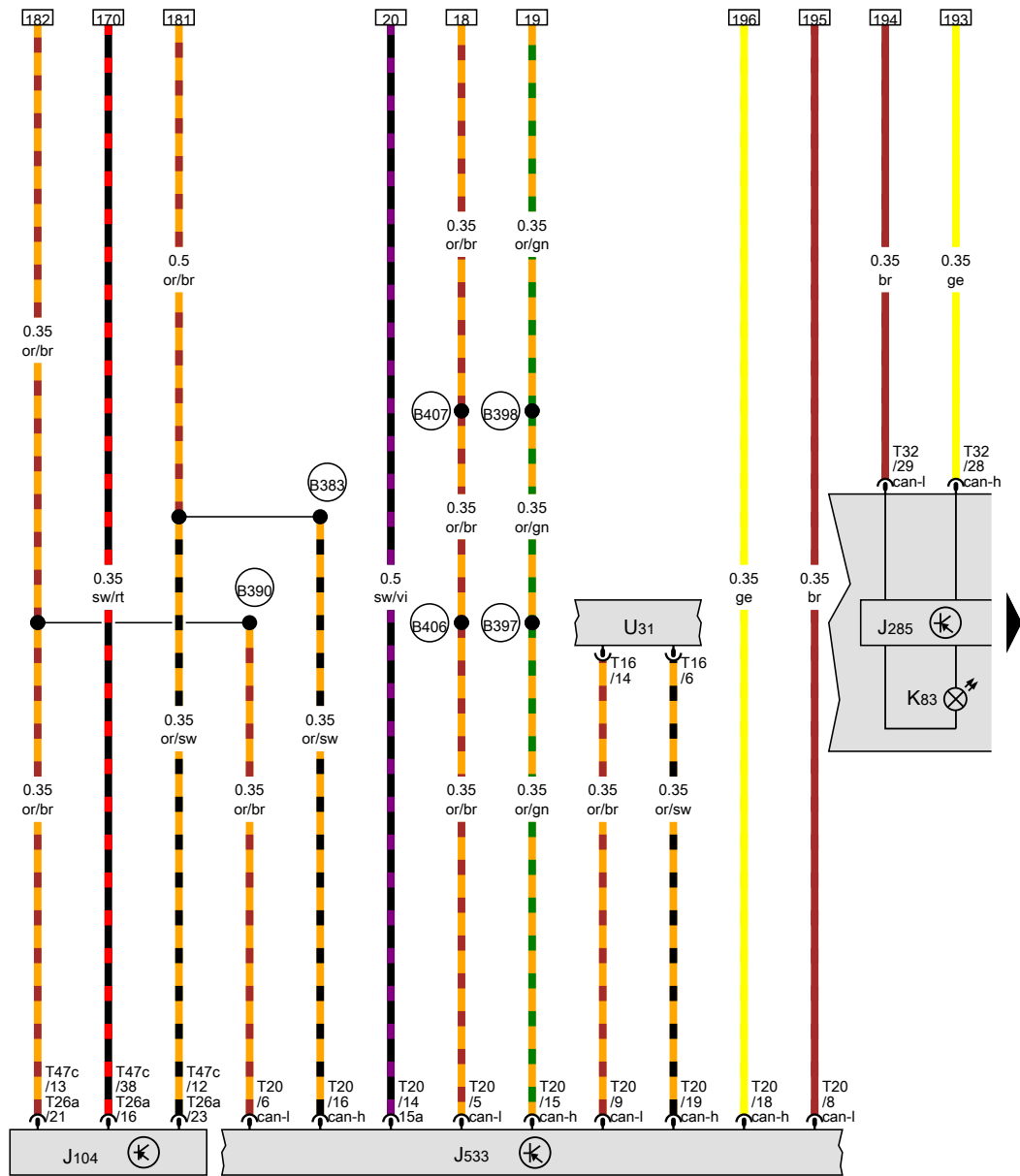
- ws = white
- sw = black
- ro = red
- rt = red
- br = brown
- gn = green
- bl = blue
- gr = grey
- li = lilac
- vi = lilac
- ge = yellow
- or = orange
- rs = pink

15K1-057140515

Data bus on board diagnostic interface, Malfunction indicator lamp

- J104 ABS control module
- J285 Instrument cluster control module
- J533 Data bus on board diagnostic interface, in the left footwell, near the center console
- K83 Malfunction indicator lamp
- T16 16-pin connector
- T20 20-pin connector
- T32 32-pin connector
- T47c 47-pin connector
- U31 Diagnostic connection

- B383 Powertrain CAN bus high connection 1 (in main wiring harness)
- B390 Powertrain CAN bus low connection 1 (in main wiring harness)
- B397 Comfort system CAN bus high connection 1 (in main wiring harness)
- B398 Comfort system CAN bus high connection 2 (in main wiring harness)
- B406 Comfort system CAN bus low connection 1 (in main wiring harness)
- B407 Comfort system CAN bus low connection 2 (in main wiring harness)



- ws = white
- sw = black
- ro = red
- rt = red
- br = brown
- gn = green
- bl = blue
- gr = grey
- li = lilac
- vi = lilac
- ge = yellow
- or = orange
- rs = pink

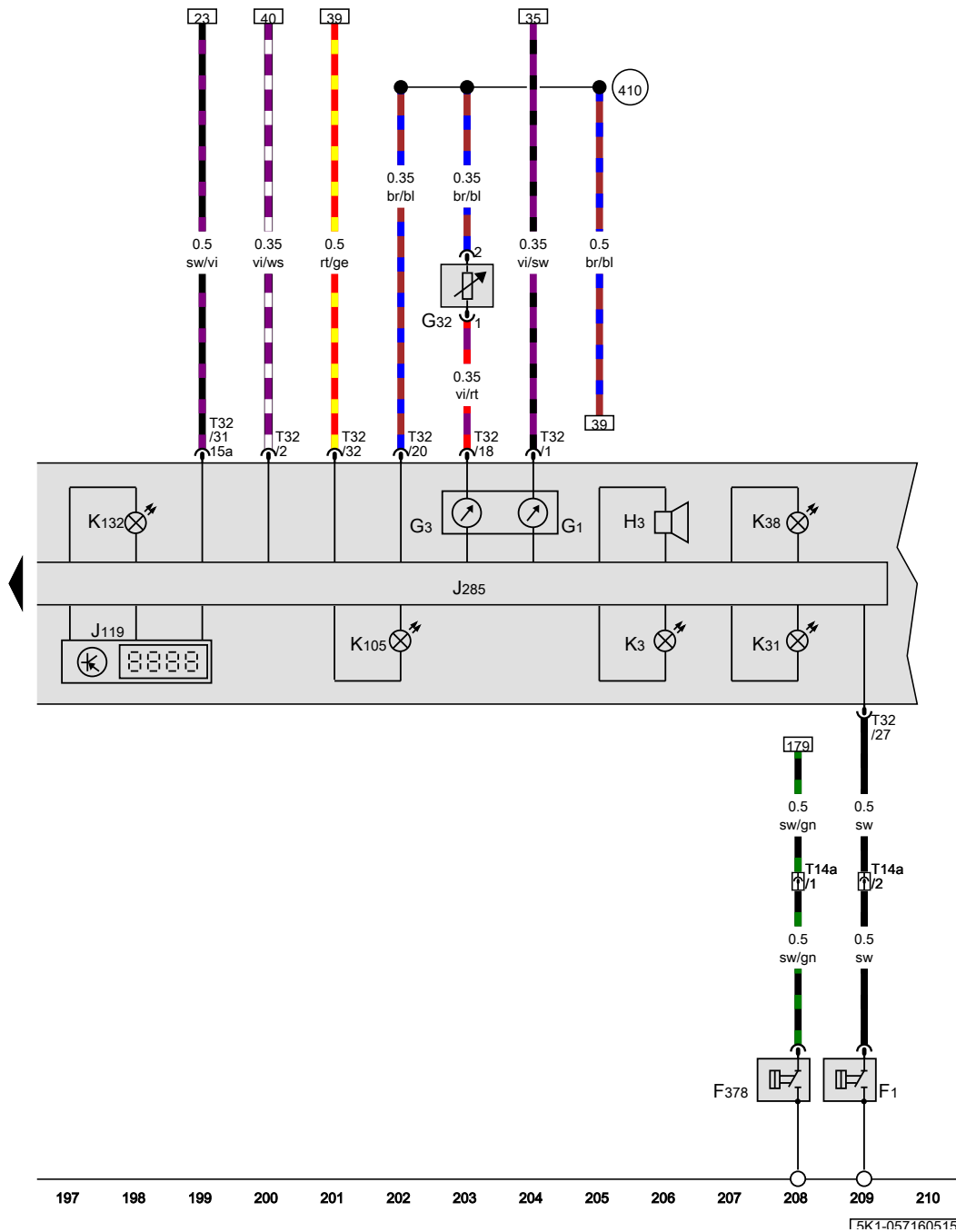
183 184 185 186 187 188 189 190 191 192 193 194 195 196

15K1-057150515

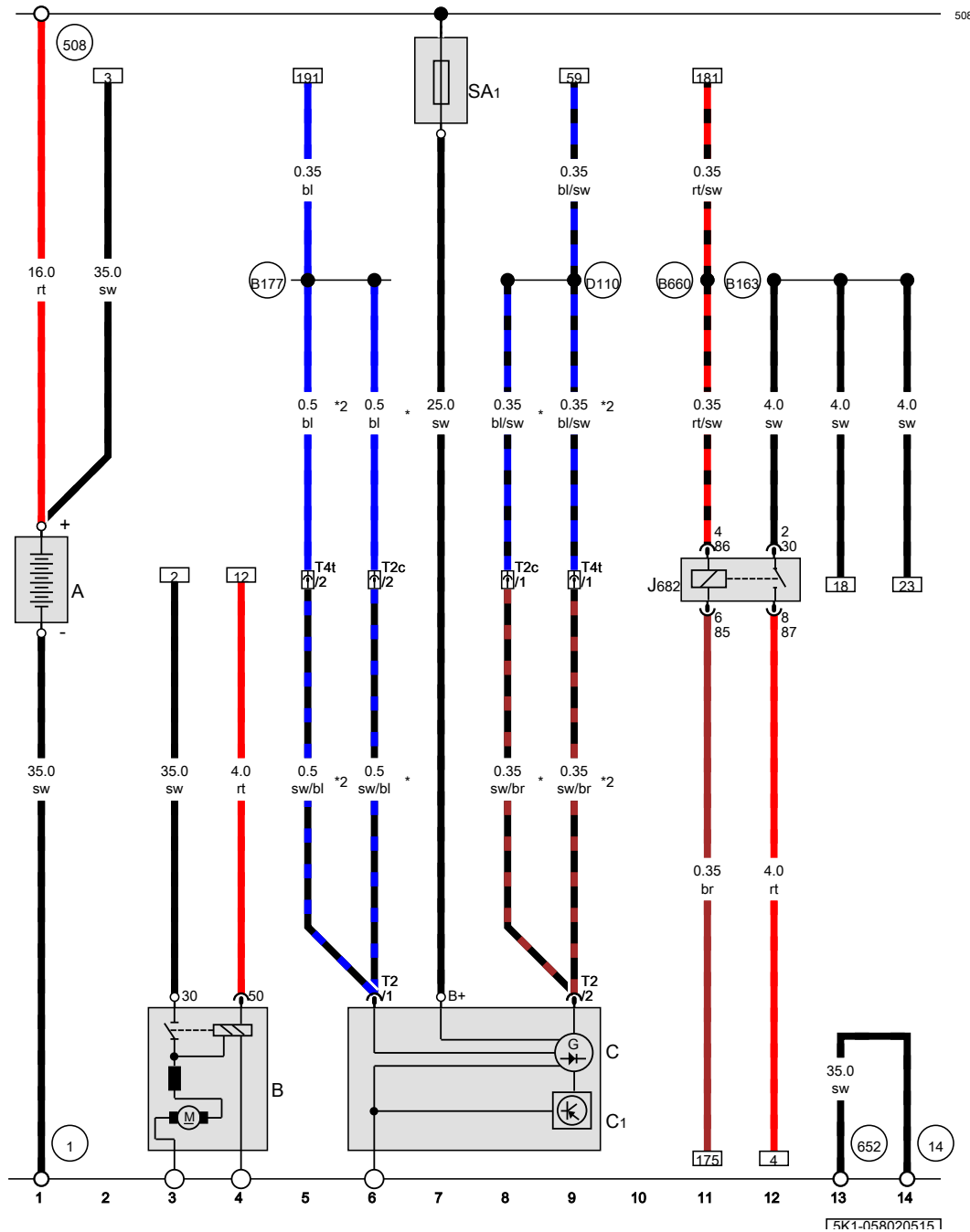
Oil pressure switch, Reduced oil pressure switch, Fuel gauge, Engine coolant temperature gauge, Engine coolant level sensor, Multifunction indicator

- F1 Oil pressure switch
- F378 Reduced oil pressure switch
- G1 Fuel gauge
- G3 Engine coolant temperature gauge
- G32 Engine coolant level sensor
- H3 Warning buzzer and tone
- J119 Multifunction indicator
- J285 Instrument cluster control module
- K3 Oil pressure indicator lamp
- K31 Cruise control indicator lamp
- K38 Oil level indicator lamp
- K105 Low fuel level indicator lamp
- K132 Electronic power control malfunction indicator lamp
- T14a 14-pin connector, near the battery
- T32 32-pin connector

410 Sensor ground connection 1 (in main wiring harness)



2.0L gasoline engine , CCTA  
from June 2009



**Battery, Starter, Generator, Terminal 50 power supply relay, Fuse 1 (on fuse panel A)**

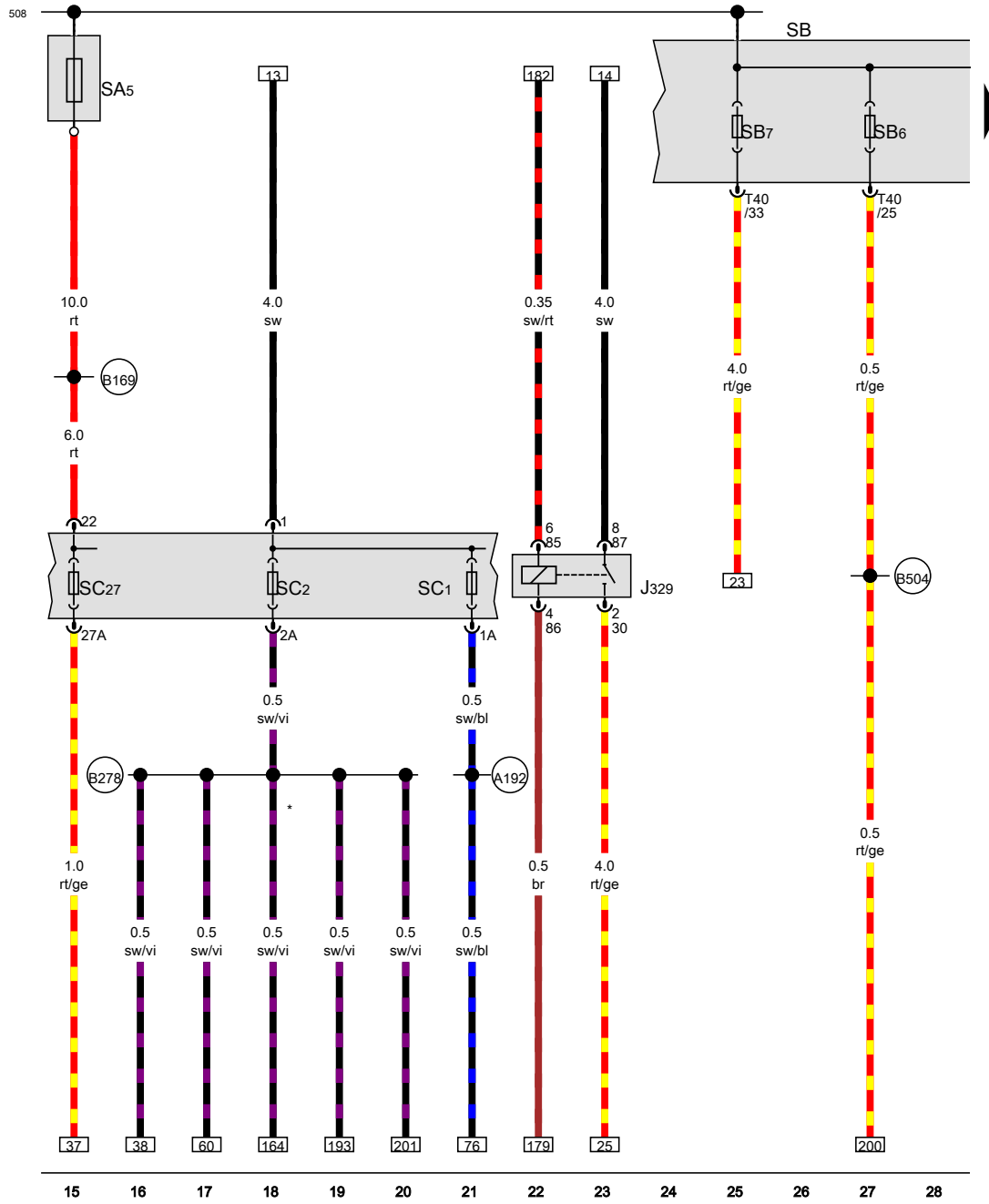
- A Battery
- B Starter
- C Generator
- C1 Voltage regulator
- J682 Terminal 50 power supply relay
- SA1 Fuse 1 (on fuse panel A)
- T2 Double connector
- T2c Double connector, near the starter
- T4t 4-pin connector, near the starter

- 1 Ground strap, battery to body
- 14 Ground connection on transmission
- 508 Terminal 30 threaded connection (on E-box)
- 652 Transmission/engine ground connection
- B163 Positive connection 1 (15) (in interior wiring harness)
- B177 Connection 61 (in interior wiring harness)
- B660 Diagnostic terminal 50 connection (in main wiring harness)
- D110 Connection 8 (in engine compartment wiring harness)
- \* Only for vehicles without an A/C system
- \*2 Only for vehicles with A/C system

- ws = white
- sw = black
- ro = red
- rt = red
- br = brown
- gn = green
- bl = blue
- gr = grey
- li = lilac
- vi = lilac
- ge = yellow
- or = orange
- rs = pink

1FK1-0580205151





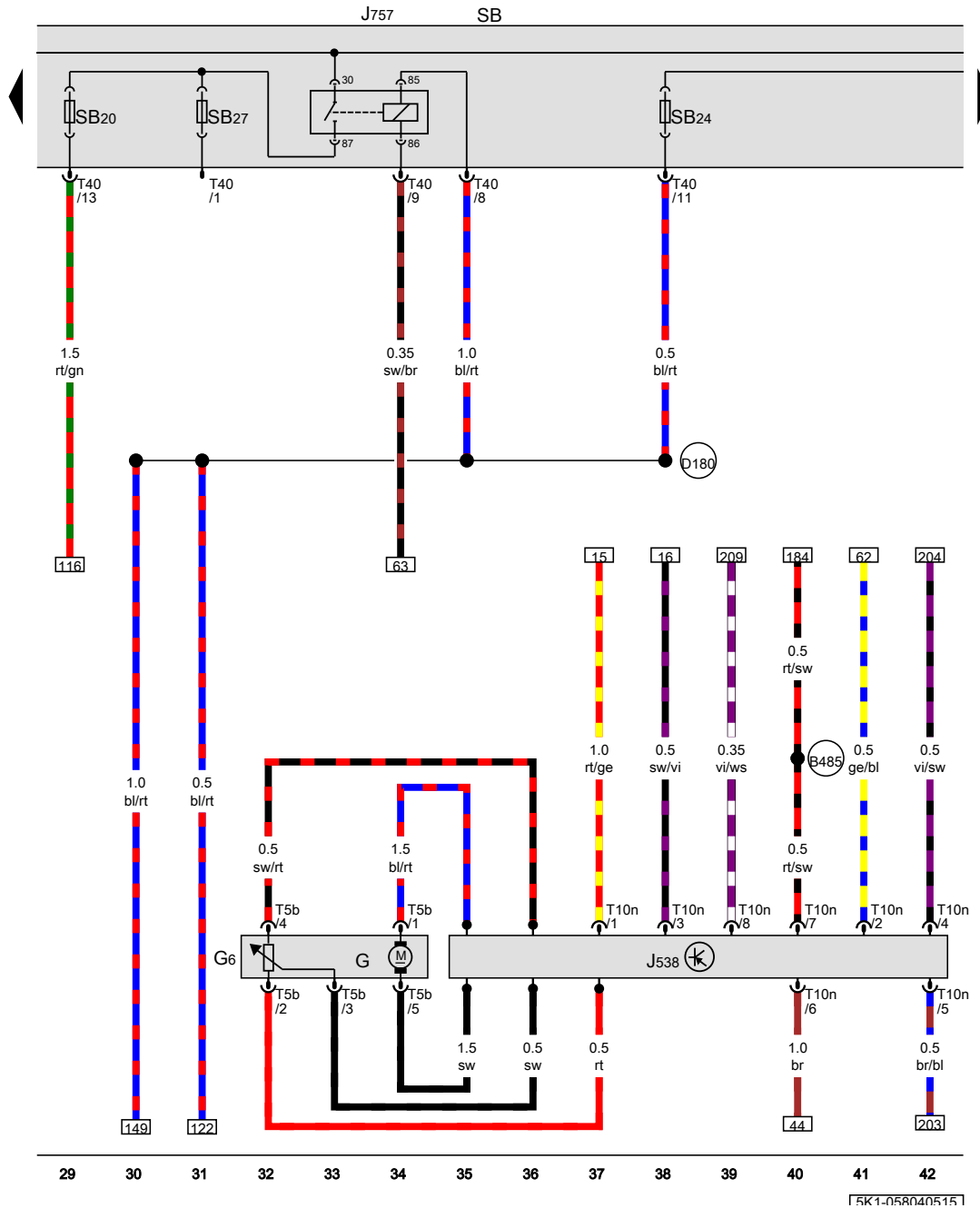
**Terminal 15 power supply relay, Fuse 5 (on fuse panel A), Fuse panel B**

- J329 Terminal 15 power supply relay
- SC1 Fuse 1 (on fuse panel C)
- SC2 Fuse 2 (on fuse panel C)
- SA5 Fuse 5 (on fuse panel A)
- SB Fuse panel B
- SB6 Fuse 6 (on fuse panel B)
- SB7 Fuse 7 (on fuse panel B)
- SC27 Fuse 27 (on fuse panel C)
- T40 40-pin connector

- 508 Terminal 30 threaded connection (on E-box)
- A192 Positive connection 3 (15a) (in instrument panel wiring harness)
- B169 Positive connection 1 (30) (in interior wiring harness)
- B278 Positive connection 2 (15a) (in main wiring harness)
- B504 Positive connection 8 (30a) (in interior wiring harness)
- \* Through November 2011

- ws = white
- sw = black
- ro = red
- rt = red
- br = brown
- gn = green
- bl = blue
- gr = grey
- li = lilac
- vi = lilac
- ge = yellow
- or = orange
- rs = pink

15K1-058030515



Fuel level sensor, Transfer fuel pump, Fuel pump control module, Engine component power supply relay, Fuse panel B

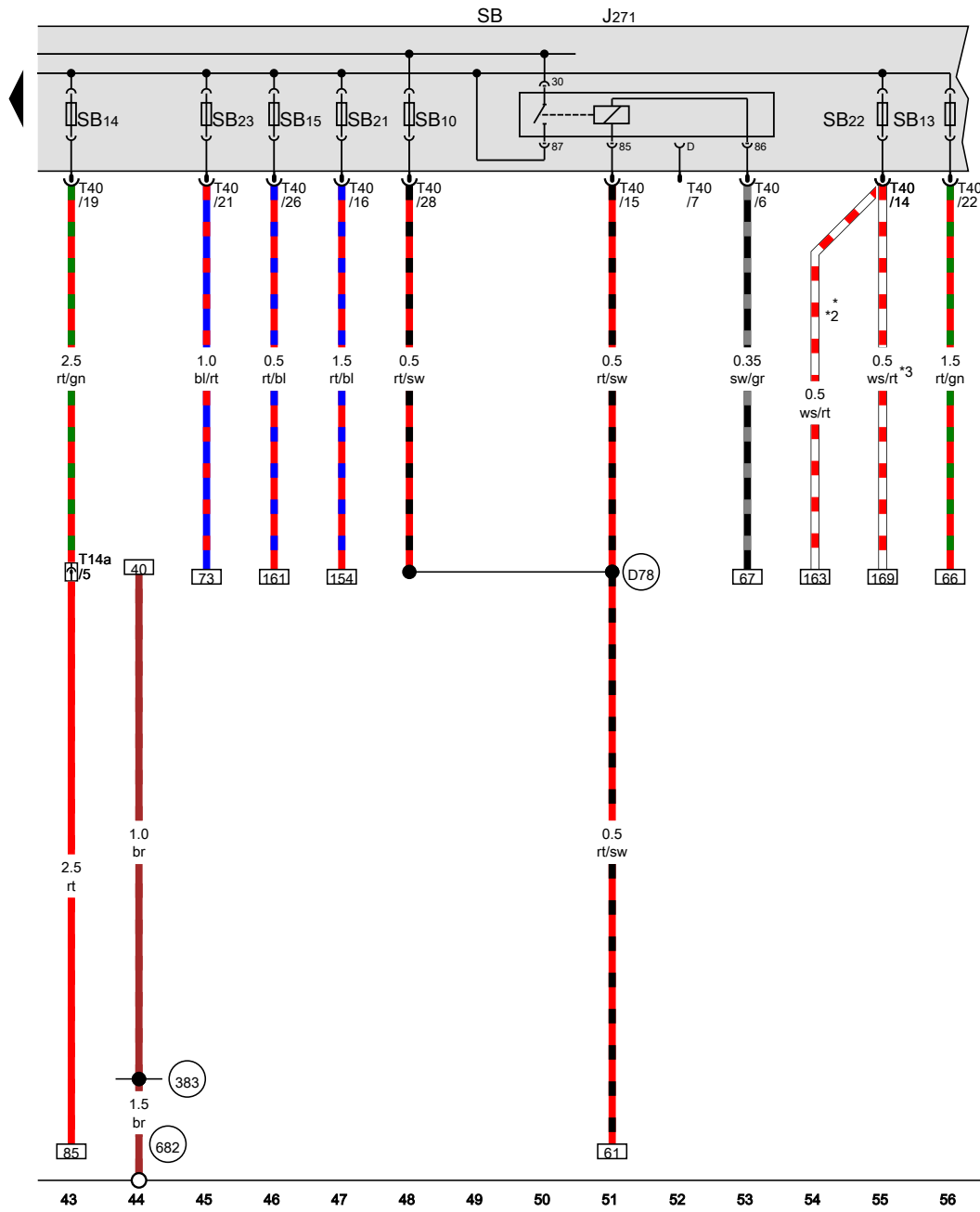
- G Fuel level sensor
- G6 Transfer fuel pump
- J538 Fuel pump control module
- J757 Engine component power supply relay
- SB Fuse panel B
- SB20 Fuse 20 (on fuse panel B)
- SB24 Fuse 24 (on fuse panel B)
- SB27 Fuse 27 (on fuse panel B)
- T5b 5-pin connector
- T10n 10-pin connector
- T40 40-pin connector

(B485) Connection 21 (in main wiring harness)

(D180) Connection 87a (in engine compartment wiring harness)

- ws = white
- sw = black
- ro = red
- rt = red
- br = brown
- gn = green
- bl = blue
- gr = grey
- li = lilac
- vi = lilac
- ge = yellow
- or = orange
- rs = pink

15K1-058040515



Motronic engine control module power supply relay, Fuse panel B

- J271 Motronic engine control module power supply relay
- SB Fuse panel B
- SB10 Fuse 10 (on fuse panel B)
- SB13 Fuse 13 (on fuse panel B)
- SB14 Fuse 14 (on fuse panel B)
- SB15 Fuse 15 (on fuse panel B)
- SB21 Fuse 21 (on fuse panel B)
- SB22 Fuse 22 (on fuse panel B)
- SB23 Fuse 23 (on fuse panel B)
- T14a 14-pin connector, near the battery
- T40 40-pin connector

- 383 Ground connection 18 (in main wiring harness)
- 682 Ground connection 2 in right rear side panel
- D78 Positive connection 1 (30a) (in engine compartment wiring harness)
- \* Only for vehicles with automatic transmission
- \*2 from November 2010
- \*3 Only for vehicles with a manual transmission

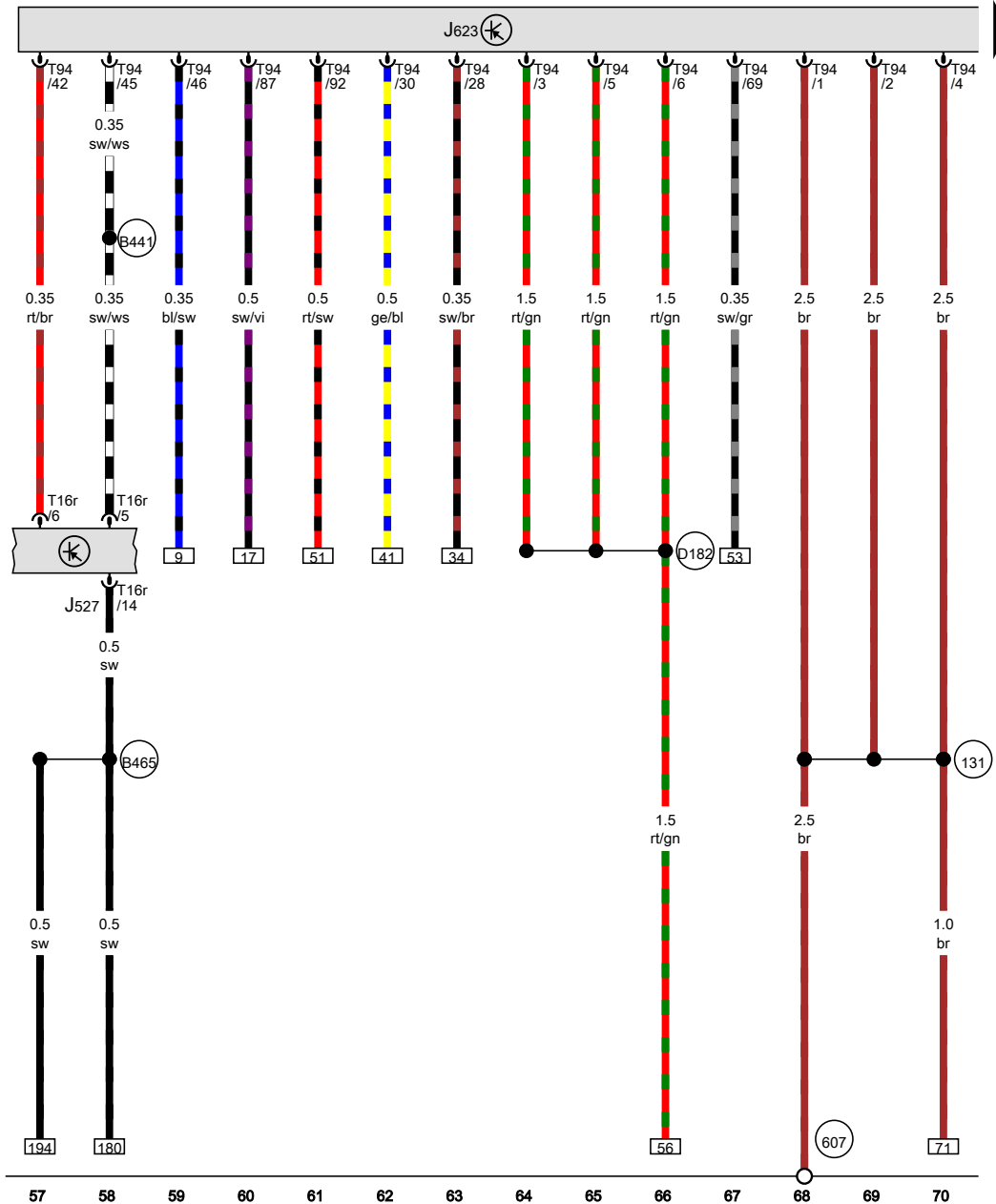
- ws = white
- sw = black
- ro = red
- rt = red
- br = brown
- gn = green
- bl = blue
- gr = grey
- li = lilac
- vi = lilac
- ge = yellow
- or = orange
- rs = pink

15K1-05R050515

Steering column electronics control module, Engine control module

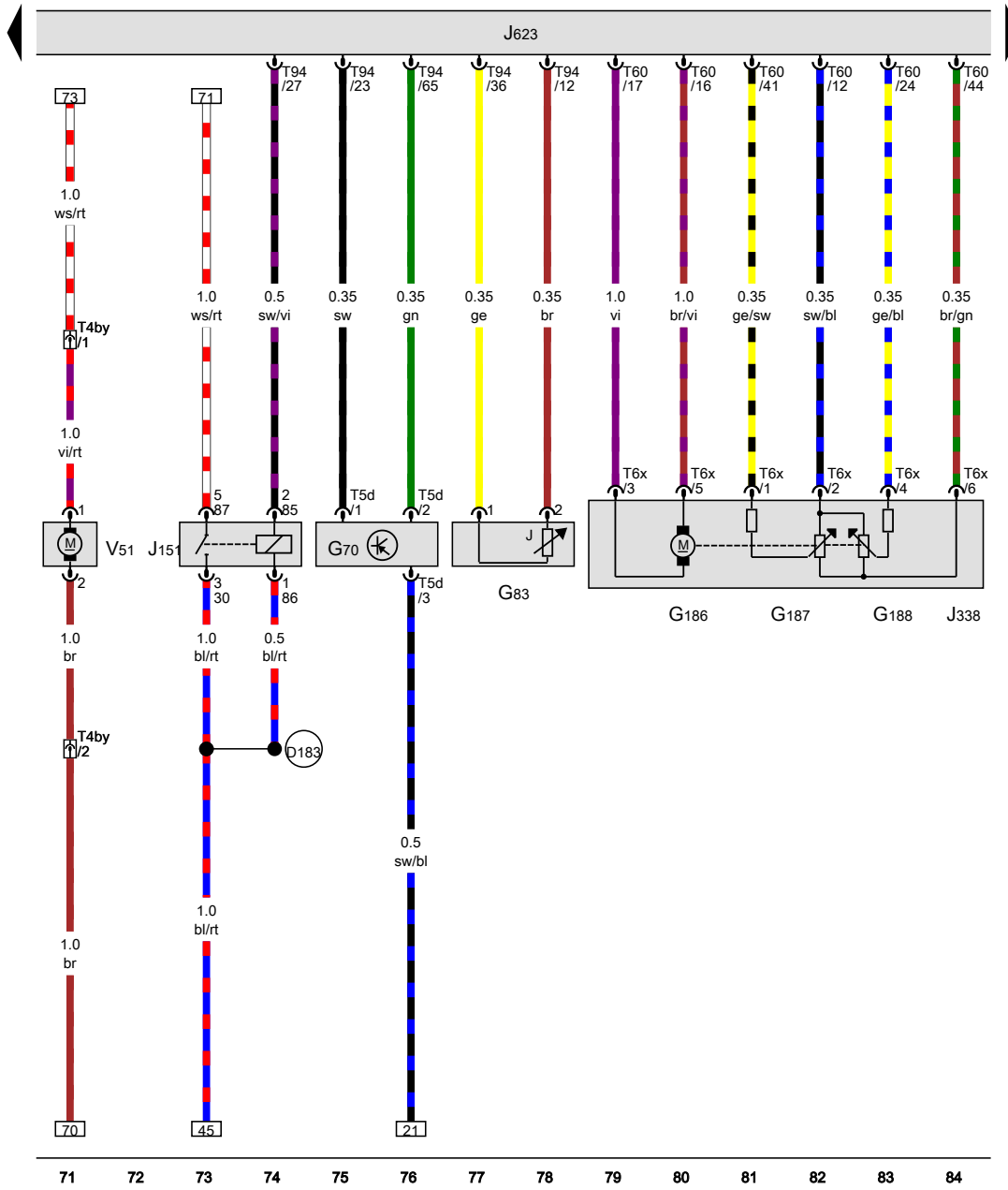
- J527 Steering column electronics control module
- J623 Engine control module, in the center plenum chamber
- T16r 16-pin connector
- T94 94-pin connector

- (131) Ground connection 2 (in engine compartment wiring harness)
- (607) Ground connection in plenum chamber, left
- (B441) Cruise control connection (in main wiring harness)
- (B465) Connection 1 (in main wiring harness)
- (D182) Connection 3 (87a) (in engine compartment wiring harness)



- ws = white
- sw = black
- ro = red
- rt = red
- br = brown
- gn = green
- bl = blue
- gr = grey
- li = lilac
- vi = lilac
- ge = yellow
- or = orange
- rs = pink

15K1-05R060515

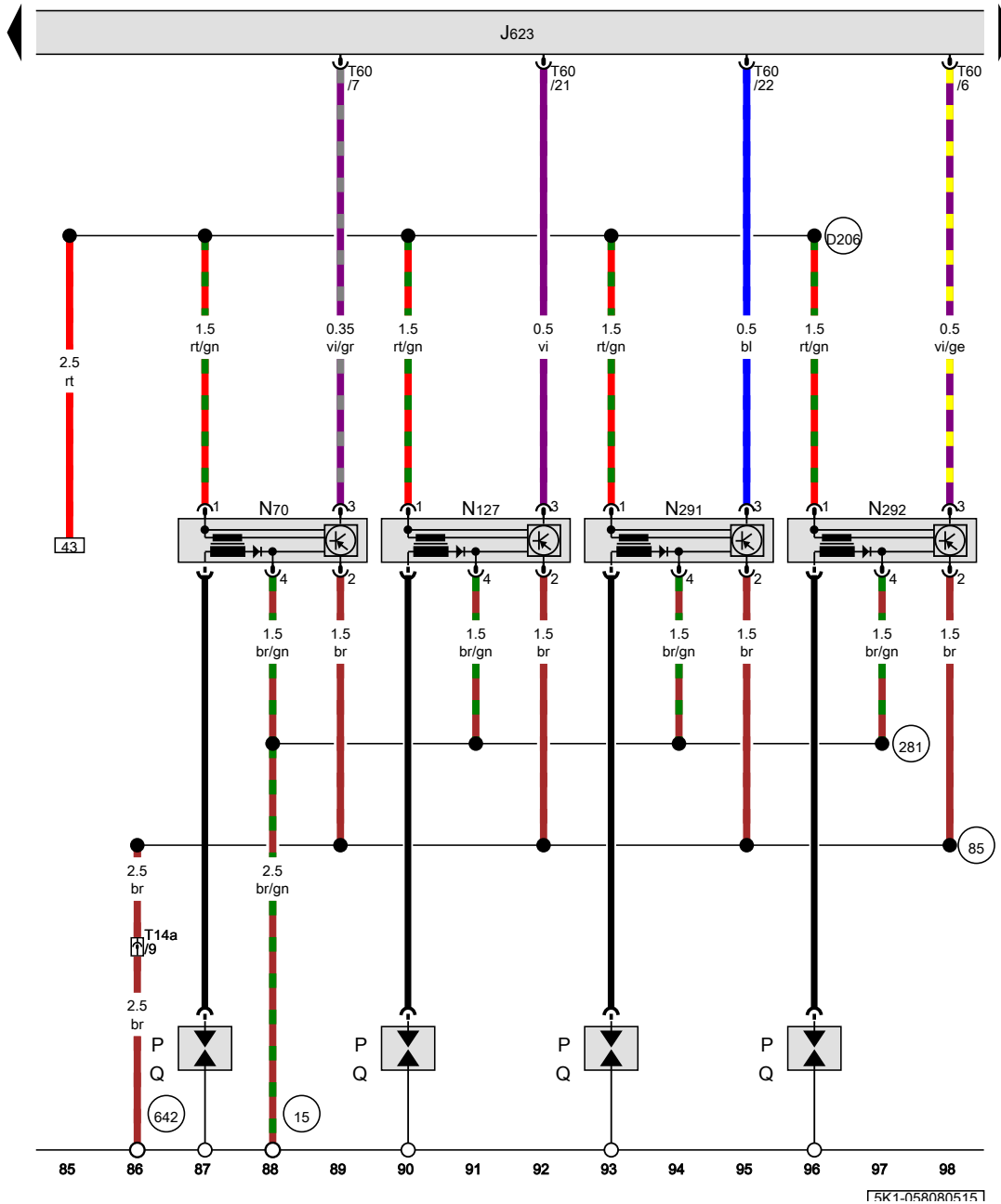


Mass airflow sensor, Engine coolant temperature sensor on radiator outlet, Coolant circulation pump relay, Throttle valve control module, Engine control module, After-run coolant pump

- G70 Mass airflow sensor
- G83 Engine coolant temperature sensor on radiator outlet
- G186 EPC throttle drive
- G187 EPC throttle drive angle sensor 1
- G188 EPC throttle drive angle sensor 2
- J151 Coolant circulation pump relay
- J338 Throttle valve control module
- J623 Engine control module, in the center plenum chamber
- T4by 4-pin connector, in the engine compartment, left
- T5d 5-pin connector
- T6x 6-pin connector
- T60 60-pin connector
- T94 94-pin connector
- V51 After-run coolant pump
- D183 Connection 4 (87a) (in engine compartment wiring harness)

- ws = white
- sw = black
- ro = red
- rt = red
- br = brown
- gn = green
- bl = blue
- gr = grey
- li = lilac
- vi = lilac
- ge = yellow
- or = orange
- rs = pink

15K1-058070515



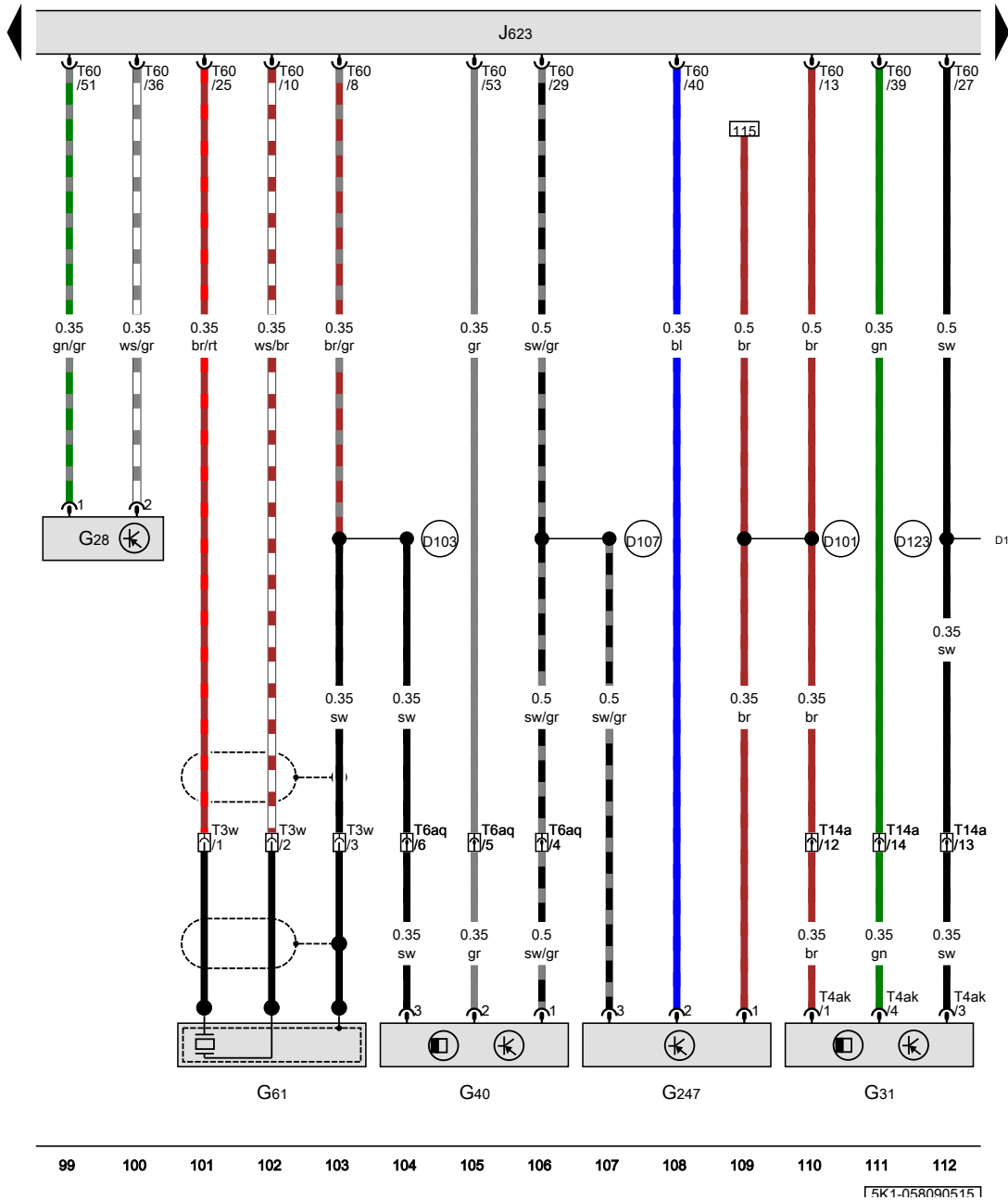
Engine control module, Ignition coil 1 with power output stage, Ignition coil 2 with power output stage, Ignition coil 3 with power output stage, Ignition coil 4 with power output stage, Spark plugs

- J623 Engine control module, in the center plenum chamber
- N70 Ignition coil 1 with power output stage
- N127 Ignition coil 2 with power output stage
- N291 Ignition coil 3 with power output stage
- N292 Ignition coil 4 with power output stage
- P Spark plug connectors
- Q Spark plugs
- T14a 14-pin connector, near the battery
- T60 60-pin connector

- 15 Ground connection on cylinder head
- 85 Ground connection 1 (in engine compartment wiring harness)
- 281 Ground connection 1 (in engine pre-wiring harness)
- 642 Electronic fan control ground connection
- D206 Connection 87a (in engine pre-wiring harness) 4

- ws = white
- sw = black
- ro = red
- rt = red
- br = brown
- gn = green
- bl = blue
- gr = grey
- li = lilac
- vi = lilac
- ge = yellow
- or = orange
- rs = pink

Engine speed sensor, Charge air pressure sensor, Camshaft position sensor, Knock sensor 1, Fuel pressure sensor, Engine control module

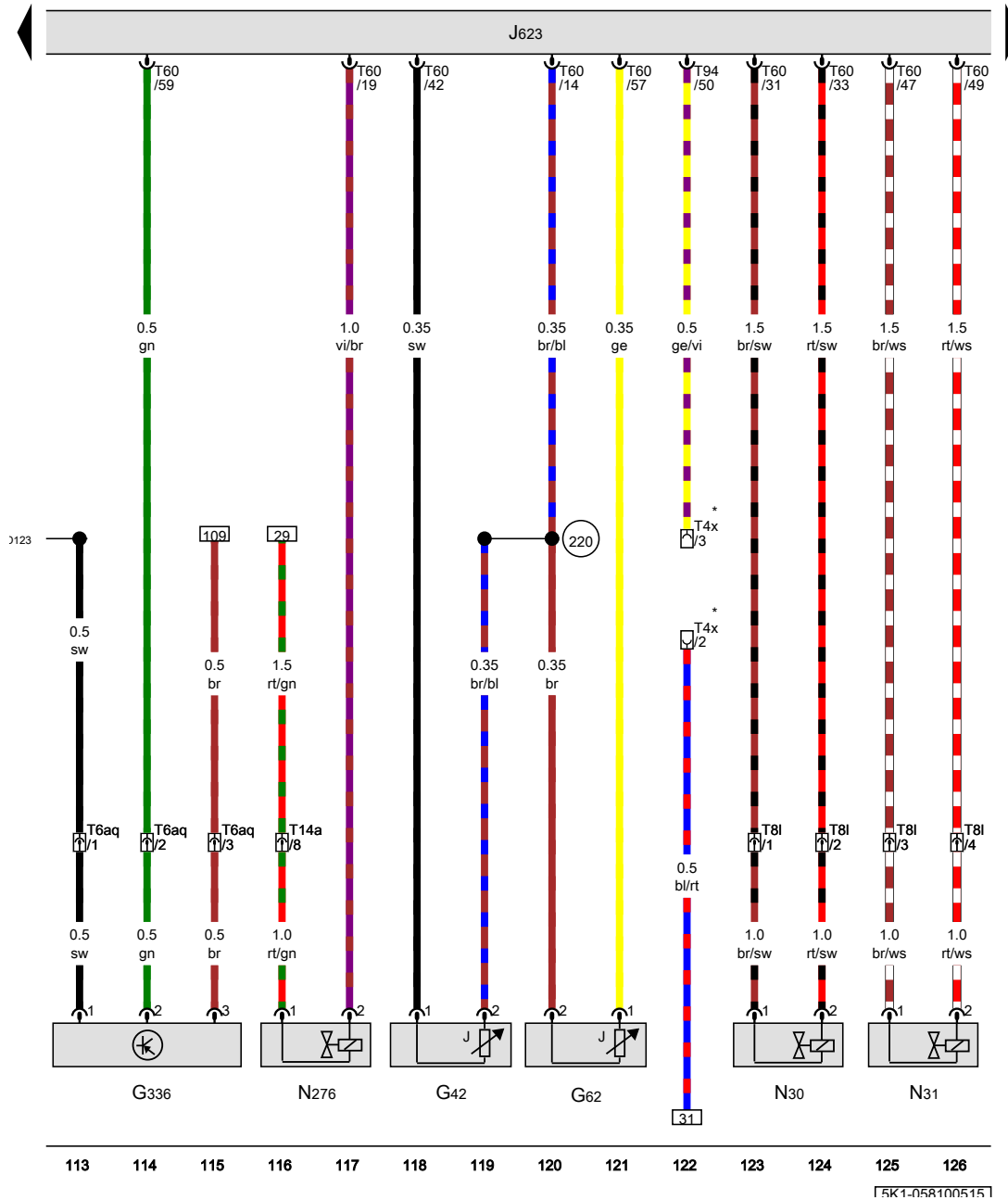


- G28 Engine speed sensor
- G31 Charge air pressure sensor
- G40 Camshaft position sensor
- G61 Knock sensor 1
- G247 Fuel pressure sensor
- J623 Engine control module, in the center plenum chamber
- T3w 3-pin connector, on the engine, front
- T4ak 4-pin connector
- T6aq 6-pin connector, on the engine, front
- T14a 14-pin connector, near the battery
- T60 60-pin connector
- D101 Connection 1 (in engine compartment wiring harness)
- D103 Connection 3 (in engine compartment wiring harness)
- D107 Connection 5 (in engine compartment wiring harness)
- D123 Connection 21 (in engine compartment wiring harness)

- ws = white
- sw = black
- ro = red
- rt = red
- br = brown
- gn = green
- bl = blue
- gr = grey
- li = lilac
- vi = lilac
- ge = yellow
- or = orange
- rs = pink

99 100 101 102 103 104 105 106 107 108 109 110 111 112

15K1-0580905151



Intake air temperature sensor, Engine coolant temperature sensor, Intake manifold runner position sensor, Engine control module, Cylinder 1 fuel injector, Cylinder 2 fuel injector, Fuel pressure regulator valve

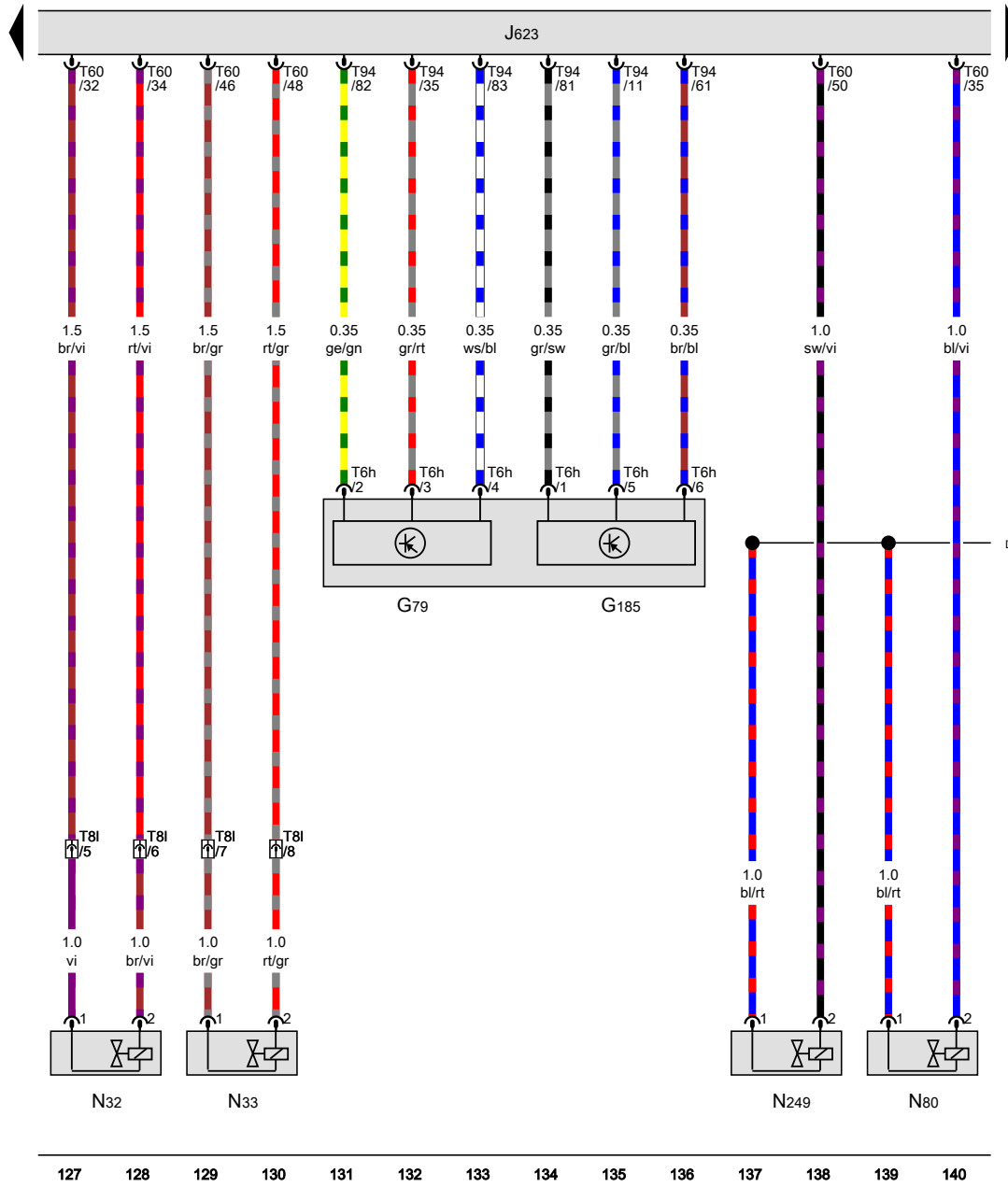
- G42 Intake air temperature sensor
- G62 Engine coolant temperature sensor
- G336 Intake manifold runner position sensor
- J623 Engine control module, in the center plenum chamber
- N30 Cylinder 1 fuel injector
- N31 Cylinder 2 fuel injector
- N276 Fuel pressure regulator valve
- T4x 4-pin connector
- T6aq 6-pin connector, on the engine, front
- T81 8-pin connector, on the engine, front
- T14a 14-pin connector, near the battery
- T60 60-pin connector
- T94 94-pin connector

- 220 Sensor ground connection (in engine wiring harness)
- D123 Connection 21 (in engine compartment wiring harness)
- \* Coolant fan connection

- ws = white
- sw = black
- ro = red
- rt = red
- br = brown
- gn = green
- bl = blue
- gr = grey
- li = lilac
- vi = lilac
- ge = yellow
- or = orange
- rs = pink

15K1-05R100515

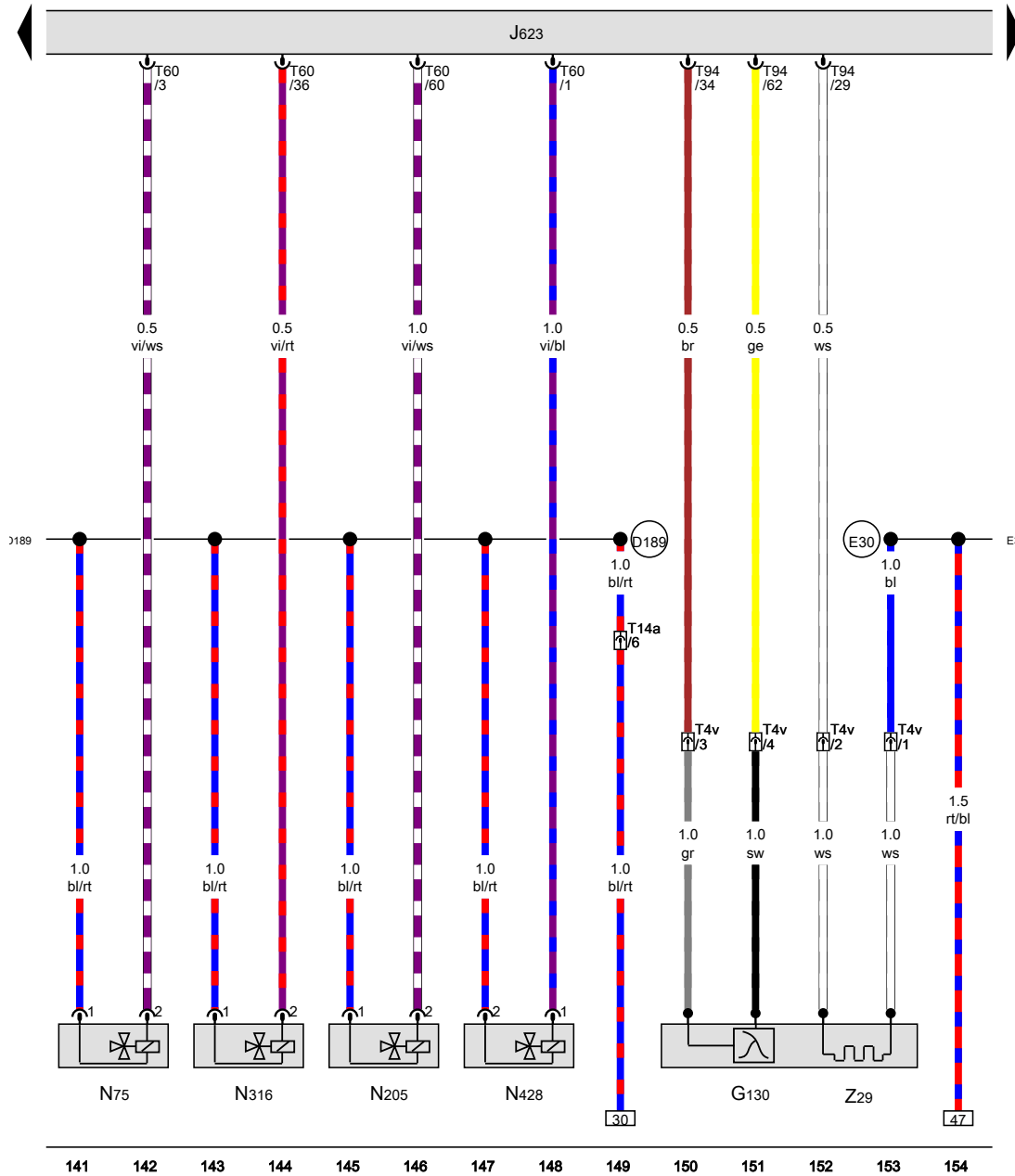




Accelerator pedal position sensor, Accelerator pedal position sensor 2, Engine control module, Cylinder 3 fuel injector, Cylinder 4 fuel injector, EVAP canister purge regulator valve 1, Turbocharger recirculation valve

- G79 Accelerator pedal position sensor
  - G185 Accelerator pedal position sensor 2
  - J623 Engine control module, in the center plenum chamber
  - N32 Cylinder 3 fuel injector
  - N33 Cylinder 4 fuel injector
  - N80 EVAP canister purge regulator valve 1
  - N249 Turbocharger recirculation valve
  - T6h 6-pin connector
  - T8I 8-pin connector, on the engine, front
  - T60 60-pin connector
  - T94 94-pin connector
- D189 Connection 87a (in engine pre-wiring harness)

- ws = white
- sw = black
- ro = red
- rt = red
- br = brown
- gn = green
- bl = blue
- gr = grey
- li = lilac
- vi = lilac
- ge = yellow
- or = orange
- rs = pink



Oxygen sensor after catalytic converter, Engine control module, Wastegate bypass regulator valve, Camshaft adjustment valve 1, Intake manifold runner control valve, Oil pressure regulation valve

- G130 Oxygen sensor after catalytic converter
- J623 Engine control module, in the center plenum chamber
- N75 Wastegate bypass regulator valve
- N205 Camshaft adjustment valve 1
- N316 Intake manifold runner control valve
- N428 Oil pressure regulation valve
- T4v 4-pin connector, near the oxygen sensor
- T14a 14-pin connector, near the battery
- T60 60-pin connector
- T94 94-pin connector
- Z29 Heater for oxygen sensor 1 after catalytic converter

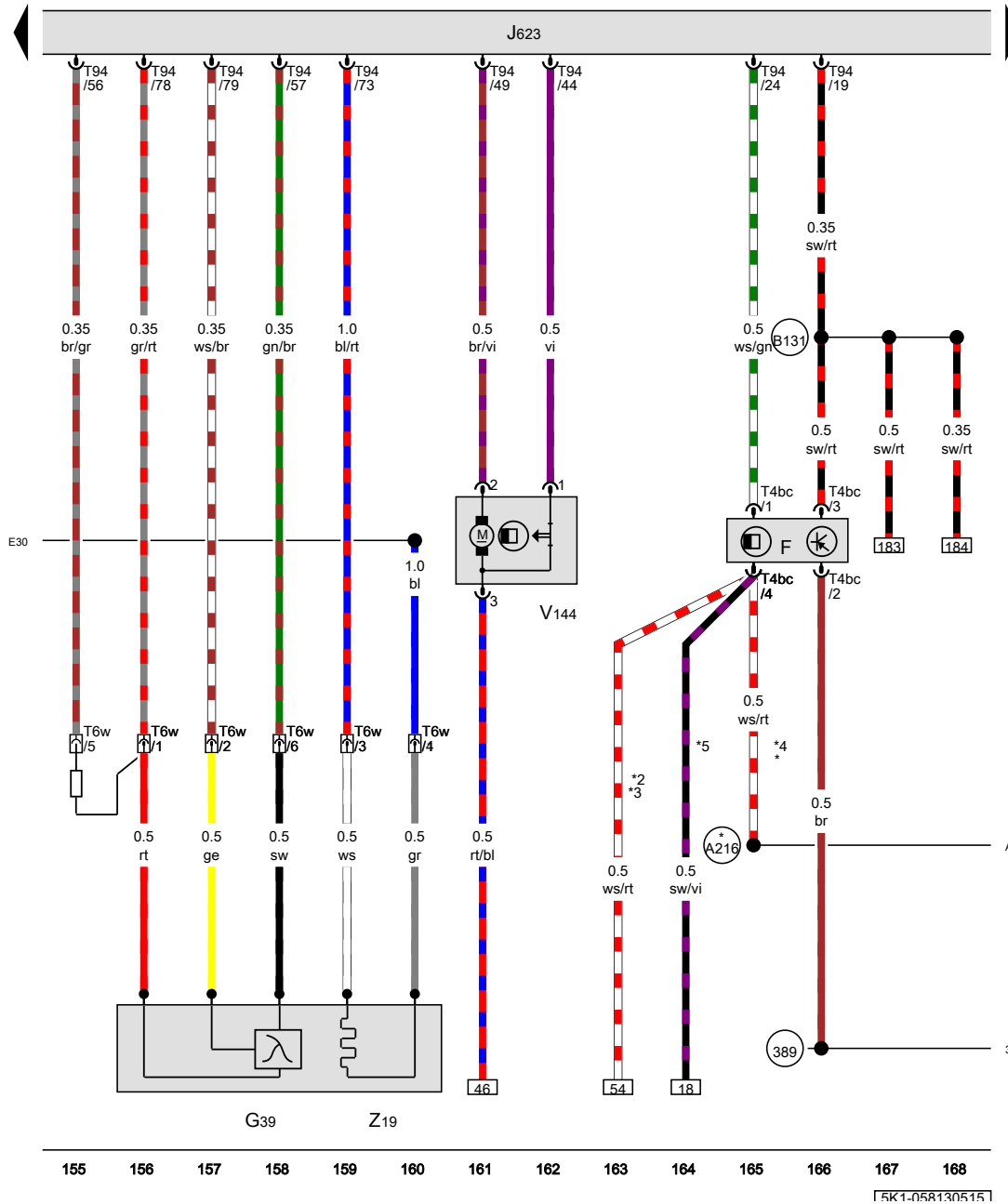
(D189) Connection 87a (in engine pre-wiring harness)

(E30) Connection 87a (in engine wiring harness)

- ws = white
- sw = black
- ro = red
- rt = red
- br = brown
- gn = green
- bl = blue
- gr = grey
- li = lilac
- vi = lilac
- ge = yellow
- or = orange
- rs = pink

15K1-05R120515

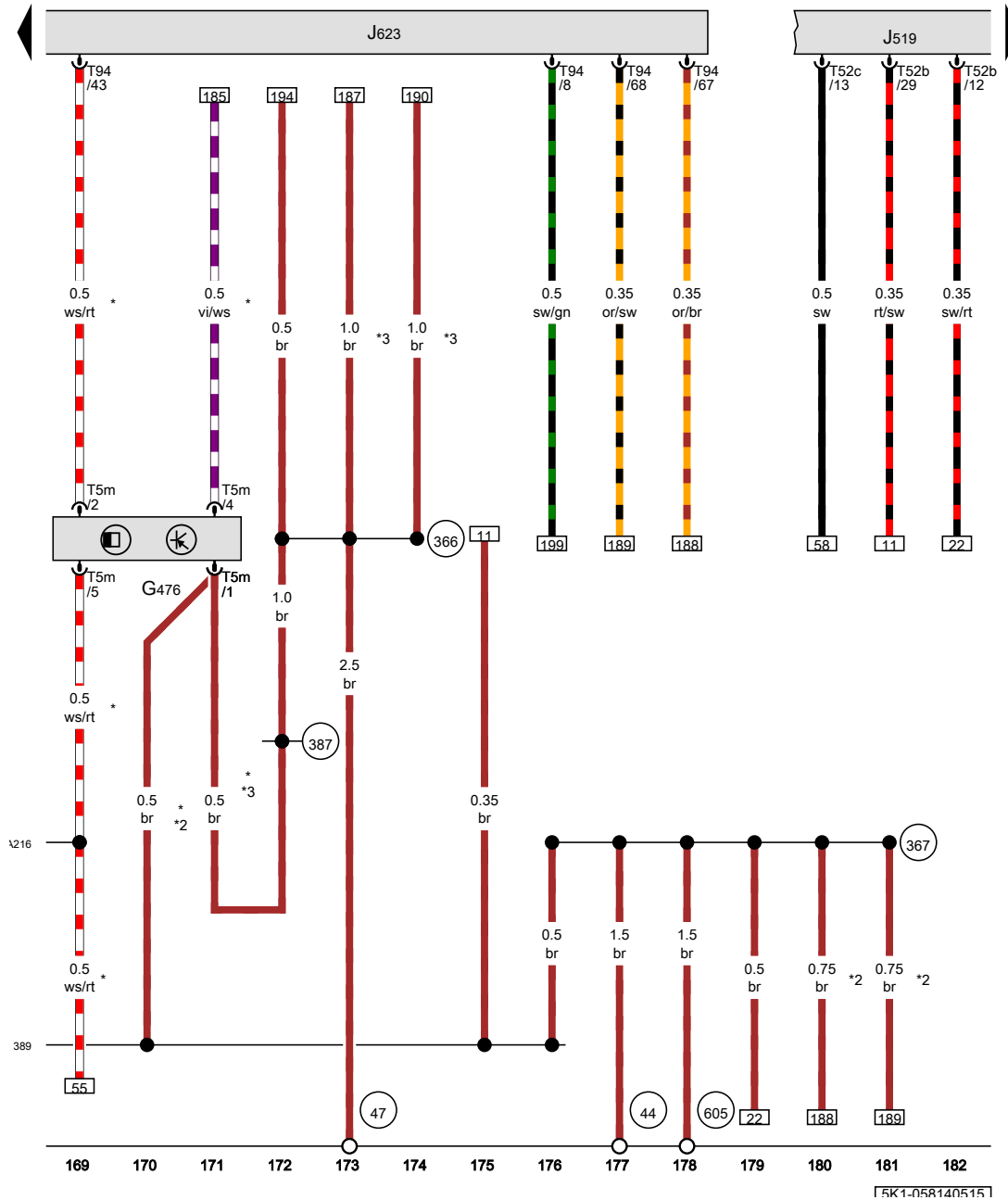
Brake lamp switch, Heated oxygen sensor, Engine control module, Leak detection pump



- F Brake lamp switch
- G39 Heated oxygen sensor
- J623 Engine control module, in the center plenum chamber
- T4bc 4-pin connector
- T6w 6-pin connector, in the engine compartment, rear
- T94 94-pin connector
- V144 Leak detection pump
- Z19 Oxygen sensor heater
- (389) Ground connection 24 (in main wiring harness)
- (A216) Positive connection 2 (87a) (in instrument panel wiring harness)
- (B131) Connection 54 (in interior wiring harness)
- (E30) Connection 87a (in engine wiring harness)
- \* from November 2011
- \*2 Only for vehicles with automatic transmission
- \*3 from November 2010
- \*4 Only for vehicles with a manual transmission
- \*5 Through November 2011

- ws = white
- sw = black
- ro = red
- rt = red
- br = brown
- gn = green
- bl = blue
- gr = grey
- li = lilac
- vi = lilac
- ge = yellow
- or = orange
- rs = pink

Clutch position sensor, Vehicle electrical control module system, Engine control module



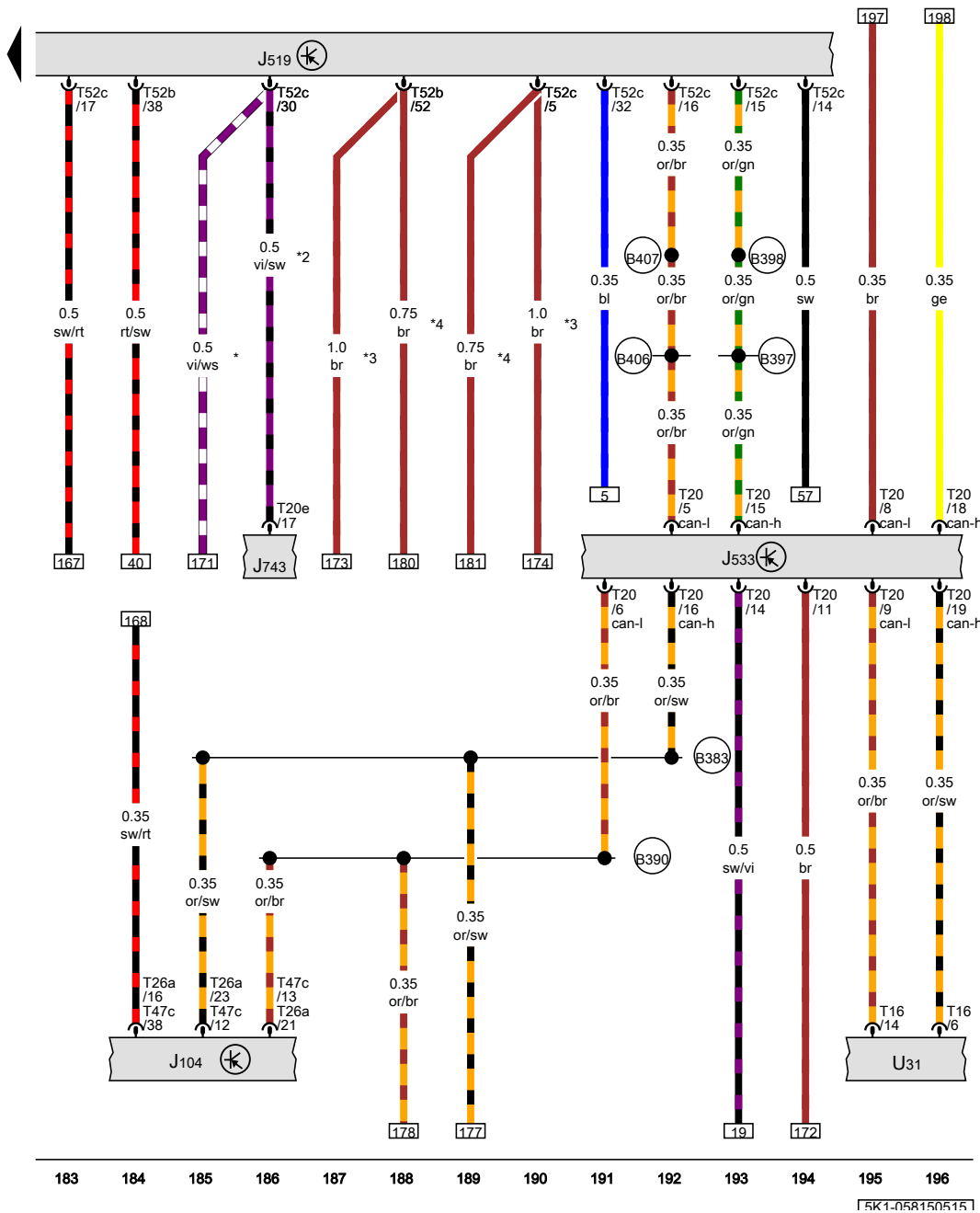
- G476 Clutch position sensor
- J519 Vehicle electrical control module system
- J623 Engine control module, in the center plenum chamber
- T5m 5-pin connector
- T52b 52-pin connector
- T52c 52-pin connector
- T94 94-pin connector

- 44 Ground connection on A-pillar, lower left
  - 47 Ground connection in right front footwell
  - 366 Ground connection 1 (in main wiring harness)
  - 367 Ground connection 2 (in main wiring harness)
  - 387 Ground connection 22 (in main wiring harness)
  - 389 Ground connection 24 (in main wiring harness)
  - 605 Ground connection on upper steering column
  - A216 Positive connection 2 (87a) (in instrument panel wiring harness)
- \* Only for vehicles with a manual transmission  
 \*2 Only for left-hand drive vehicles  
 \*3 Only for right-hand drive vehicles

- ws = white
- sw = black
- ro = red
- rt = red
- br = brown
- gn = green
- bl = blue
- gr = grey
- li = lilac
- ge = yellow
- or = orange
- rs = pink

15K1-05R140515

Vehicle electrical control module system, Data bus on board diagnostic interface

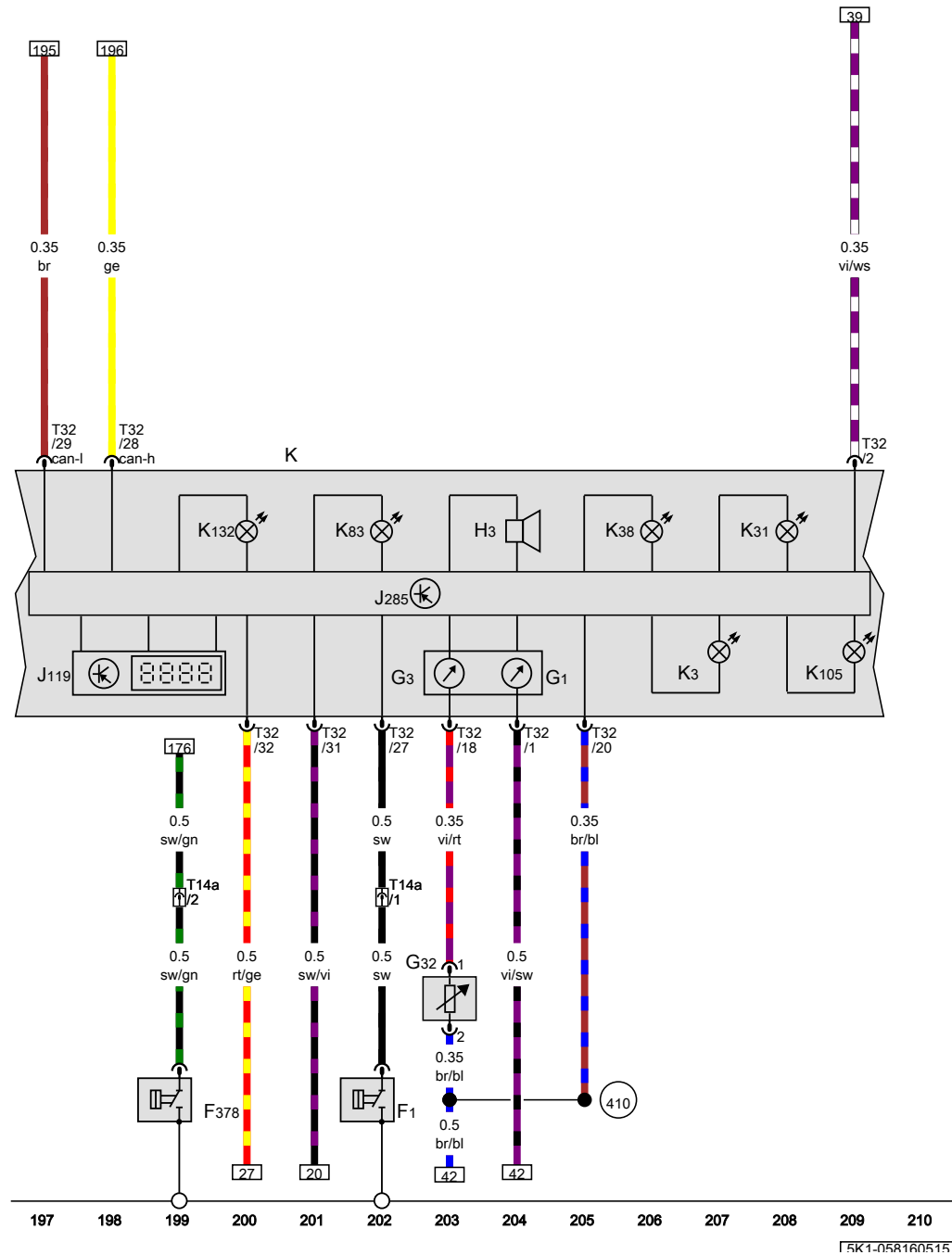


- J104 ABS control module
- J519 Vehicle electrical control module system
- J533 Data bus on board diagnostic interface, in the left footwell, near the center console
- J743 DSG transmission Mechatronic
- T16 16-pin connector
- T20 20-pin connector
- T20e 20-pin connector
- T26a 26-pin connector
- T47c 47-pin connector
- T52b 52-pin connector
- T52c 52-pin connector
- U31 Diagnostic connection

- (B383) Powertrain CAN bus high connection 1 (in main wiring harness)
- (B390) Powertrain CAN bus low connection 1 (in main wiring harness)
- (B397) Comfort system CAN bus high connection 1 (in main wiring harness)
- (B398) Comfort system CAN bus high connection 2 (in main wiring harness)
- (B406) Comfort system CAN bus low connection 1 (in main wiring harness)
- (B407) Comfort system CAN bus low connection 2 (in main wiring harness)

- \* Only for vehicles with a manual transmission
- \*2 Only for vehicles with DSG transmission
- \*3 Only for right-hand drive vehicles
- \*4 Only for left-hand drive vehicles

- ws = white
- sw = black
- ro = red
- rt = red
- br = brown
- gn = green
- bl = blue
- gr = grey
- li = lilac
- vi = lilac
- ge = yellow
- or = orange
- rs = pink



Oil pressure switch, Reduced oil pressure switch, Fuel gauge, Engine coolant temperature gauge, Engine coolant level sensor, Multifunction indicator, Instrument cluster control module, Malfunction indicator lamp, Electronic power control malfunction indicator lamp

- F1 Oil pressure switch
- F378 Reduced oil pressure switch
- G1 Fuel gauge
- G3 Engine coolant temperature gauge
- G32 Engine coolant level sensor
- H3 Warning buzzer and tone
- J119 Multifunction indicator
- J285 Instrument cluster control module
- K Instrument cluster
- K3 Oil pressure indicator lamp
- K31 Cruise control indicator lamp
- K38 Oil level indicator lamp
- K83 Malfunction indicator lamp
- K105 Low fuel level indicator lamp
- K132 Electronic power control malfunction indicator lamp
- T14a 14-pin connector, near the battery
- T32 32-pin connector

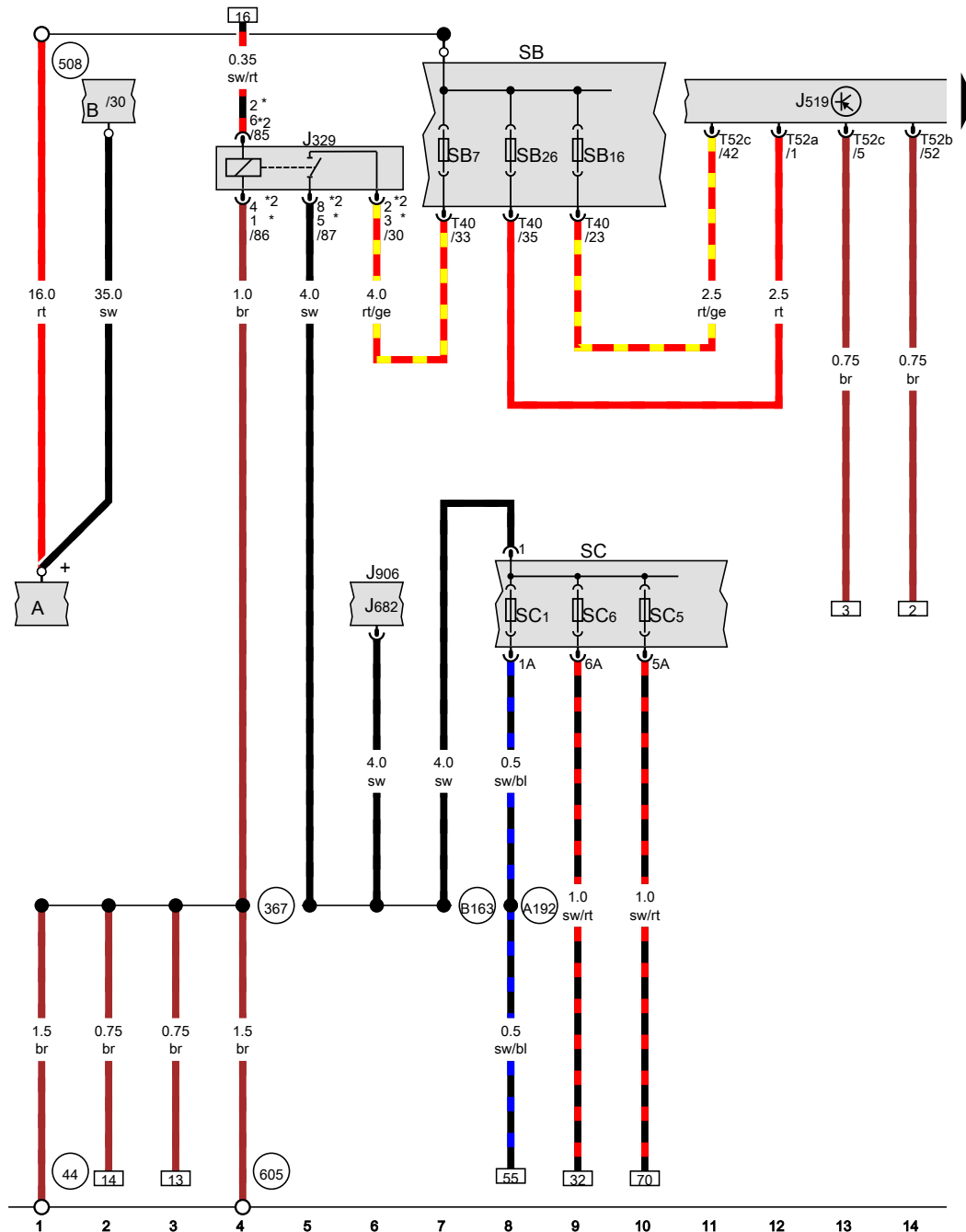
410 Sensor ground connection 1 (in main wiring harness)

- ws = white
- sw = black
- ro = red
- rt = red
- br = brown
- gn = green
- bl = blue
- gr = grey
- li = lilac
- vi = lilac
- ge = yellow
- or = orange
- rs = pink

15K1-05R160515

**Headlamps Bixenon HID with range control and cornering lamp , (8Q5),(8Q6)**

from May 2009



Terminal 15 power supply relay, Vehicle electrical control module system, Fuse panel B, Fuse panel C

- A Battery
- B Starter
- J329 Terminal 15 power supply relay
- J519 Vehicle electrical control module system
- J682 Terminal 50 power supply relay
- J906 Starter relay 1
- SB Fuse panel B
- SC Fuse panel C
- SC1 Fuse 1 (on fuse panel C)
- SC5 Fuse 5 (on fuse panel C)
- SC6 Fuse 6 (on fuse panel C)
- SB7 Fuse 7 (on fuse panel B)
- SB16 Fuse 16 (on fuse panel B)
- SB26 Fuse 26 (on fuse panel B)
- T40 40-pin connector
- T52a 52-pin connector
- T52b 52-pin connector
- T52c 52-pin connector

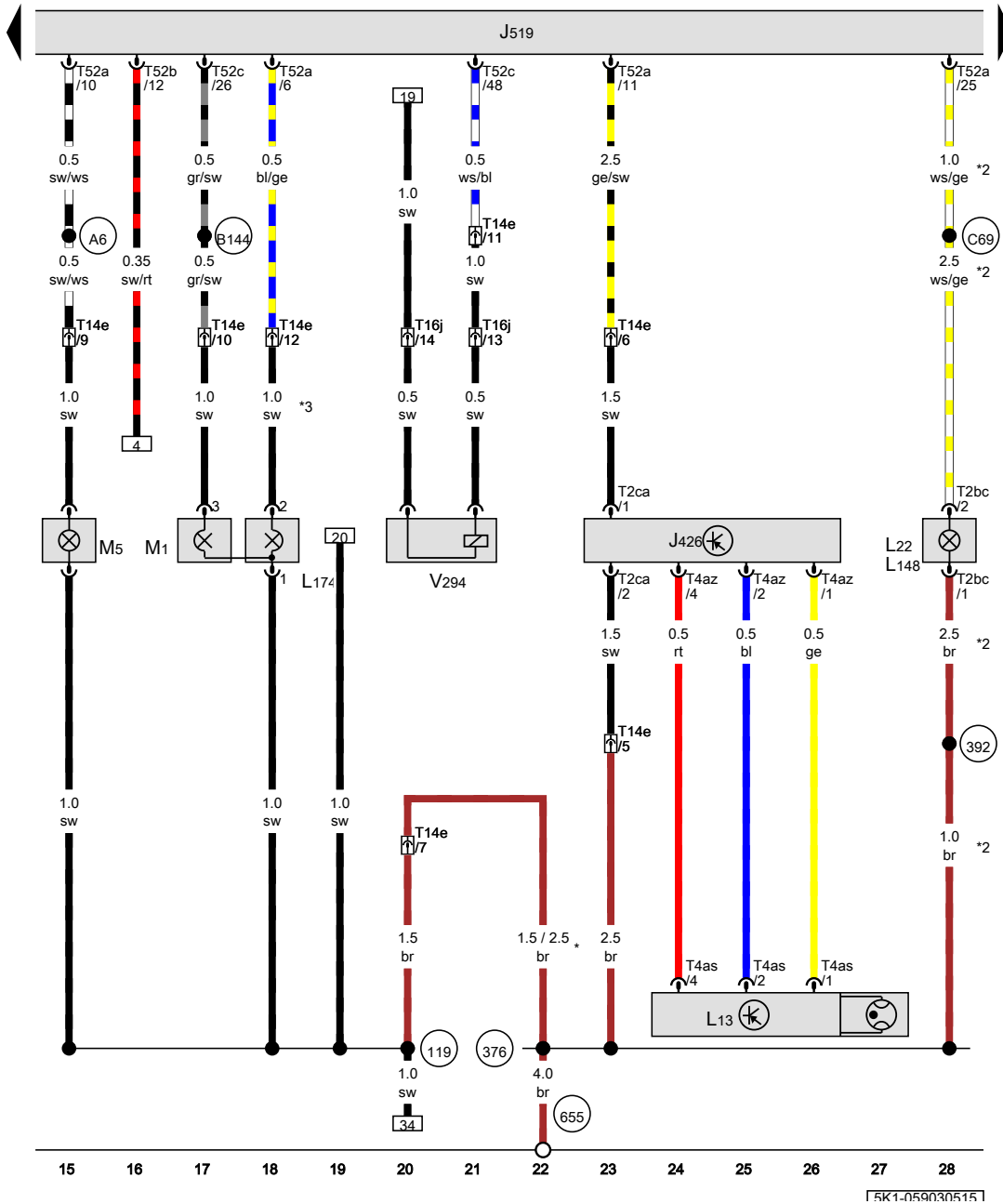
- 44 Ground connection on A-pillar, lower left
- 367 Ground connection 2 (in main wiring harness)
- 508 Terminal 30 threaded connection (on E-box)
- 605 Ground connection on upper steering column
- A192 Positive connection 3 (15a) (in instrument panel wiring harness)
- B163 Positive connection 1 (15) (in interior wiring harness)

\* from November 2009  
 \*2 Through October 2009

- ws = white
- sw = black
- ro = red
- rt = red
- br = brown
- gn = green
- bl = blue
- gr = grey
- li = lilac
- vi = lilac
- ge = yellow
- or = orange
- rs = pink

Г5К1-059020515





- ws = white
- bl = black
- ro = red
- rt = red
- br = brown
- gn = green
- bl = blue
- gr = grey
- li = lilac
- vi = lilac
- ge = yellow
- or = orange
- rs = pink

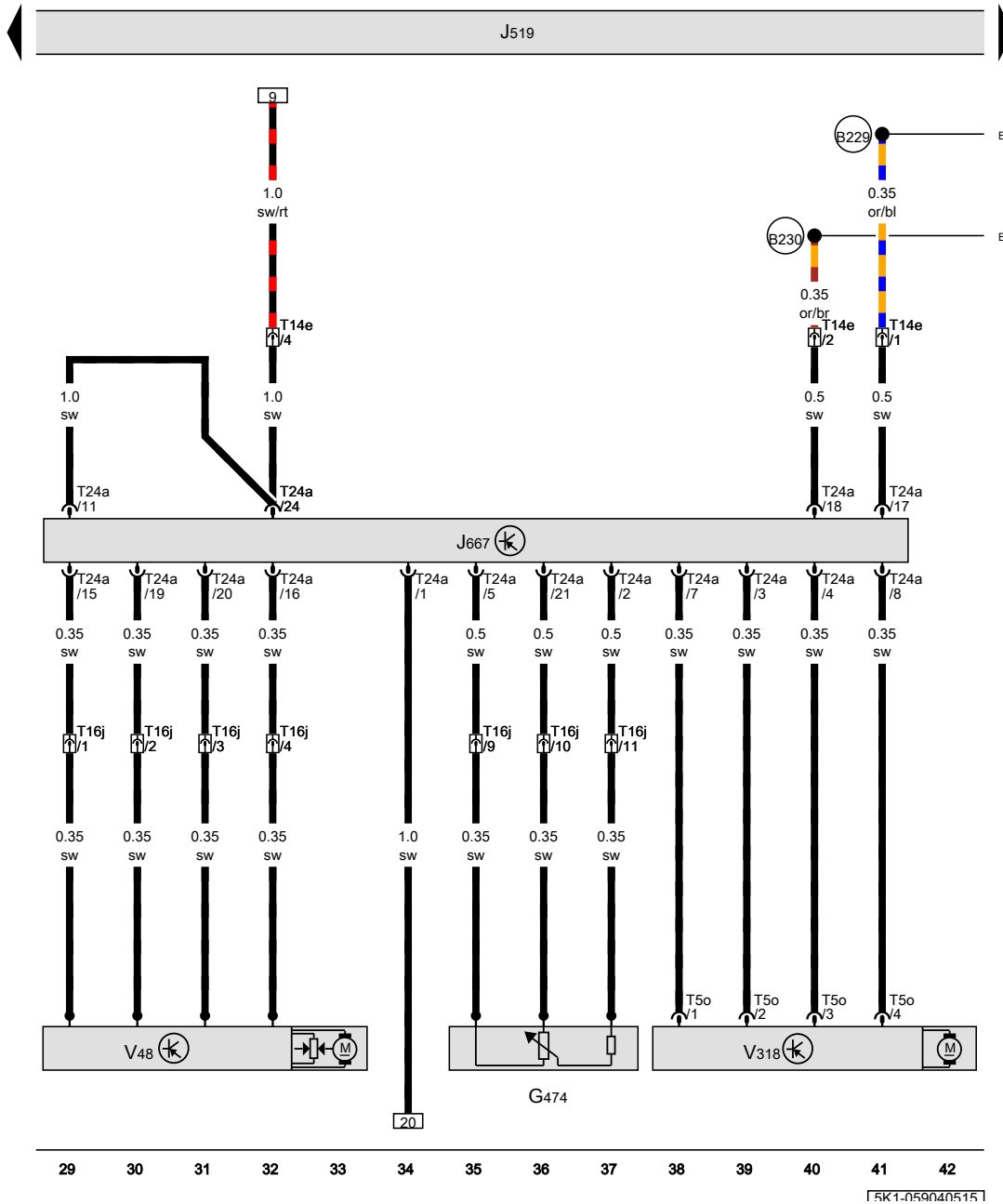
Left HID lamp ballast, Vehicle electrical control module system, Left HID headlamp bulb, Left front fog lamp bulb, Left cornering lamp bulb, Left daytime running lamp bulb, Left position lamp bulb, Left front turn signal bulb, Left low beam headlamp reflector motor

- J426 Left HID lamp ballast, on the left headlamp
- J519 Vehicle electrical control module system
- L13 Left HID headlamp bulb
- L22 Left front fog lamp bulb
- L148 Left cornering lamp bulb
- L174 Left daytime running lamp bulb
- M1 Left position lamp bulb
- M5 Left front turn signal bulb
- T2bc Double connector
- T2ca Double connector
- T4as 4-pin connector
- T4az 4-pin connector
- T14e 14-pin connector, on the left headlamp
- T16j 16-pin connector, under the instrument panel, left
- T52a 52-pin connector
- T52b 52-pin connector
- T52c 52-pin connector
- V294 Left low beam headlamp reflector motor

- (119) Ground connection 1 (in headlamp wiring harness)
- (376) Ground connection 11 (in main wiring harness)
- (392) Ground connection 27 (in main wiring harness)
- (655) Ground connection on left headlamp
- (A6) Left turn signal positive connection (in instrument panel wiring harness)
- (B144) Positive connection (58L) (in interior wiring harness)
- (C69) Fog lamp connection (in left front wiring harness)

- \* from November 2009
- \*2 Only for vehicles with fog lamps
- \*3 Only for vehicles with daytime running lamps

15K1-059030515



Left swivel module position sensor, Vehicle electrical control module system, Left headlamp power output module, Left headlamp beam adjustment motor, Left adaptive cornering lamp motor

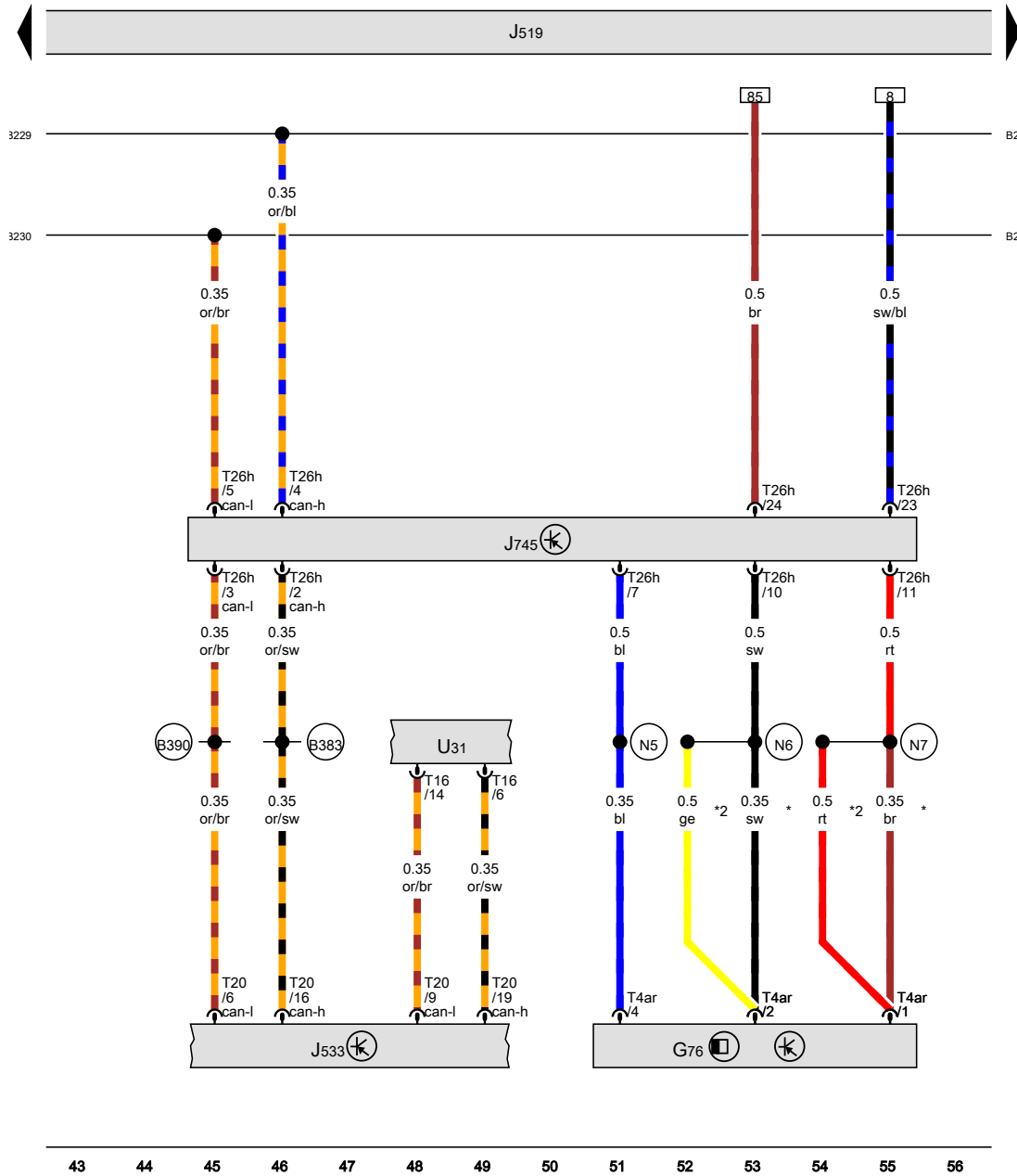
- G474 Left swivel module position sensor
- J519 Vehicle electrical control module system
- J667 Left headlamp power output module, on the left headlamp
- T5o 5-pin connector
- T14e 14-pin connector, on the left headlamp
- T16j 16-pin connector, under the instrument panel, left
- T24a 24-pin connector
- V48 Left headlamp beam adjustment motor
- V318 Left adaptive cornering lamp motor

B229 High bus connection (in interior wiring harness)

B230 Low bus connection (in interior wiring harness)

- ws = white
- sw = black
- ro = red
- rt = red
- br = brown
- gn = green
- bl = blue
- gr = grey
- li = lilac
- vi = lilac
- ge = yellow
- or = orange
- rs = pink

15K1-059040515



Left rear level control system sensor, Vehicle electrical control module system, Data bus on board diagnostic interface, Cornering lamp and headlamp range control module

- G76 Left rear level control system sensor
- J519 Vehicle electrical control module system
- J533 Data bus on board diagnostic interface, in the left footwell, near the center console
- J745 Cornering lamp and headlamp range control module, on the right glove compartment
- T4ar 4-pin connector
- T16 16-pin connector
- T20 20-pin connector
- T26h 26-pin connector
- U31 Diagnostic connection

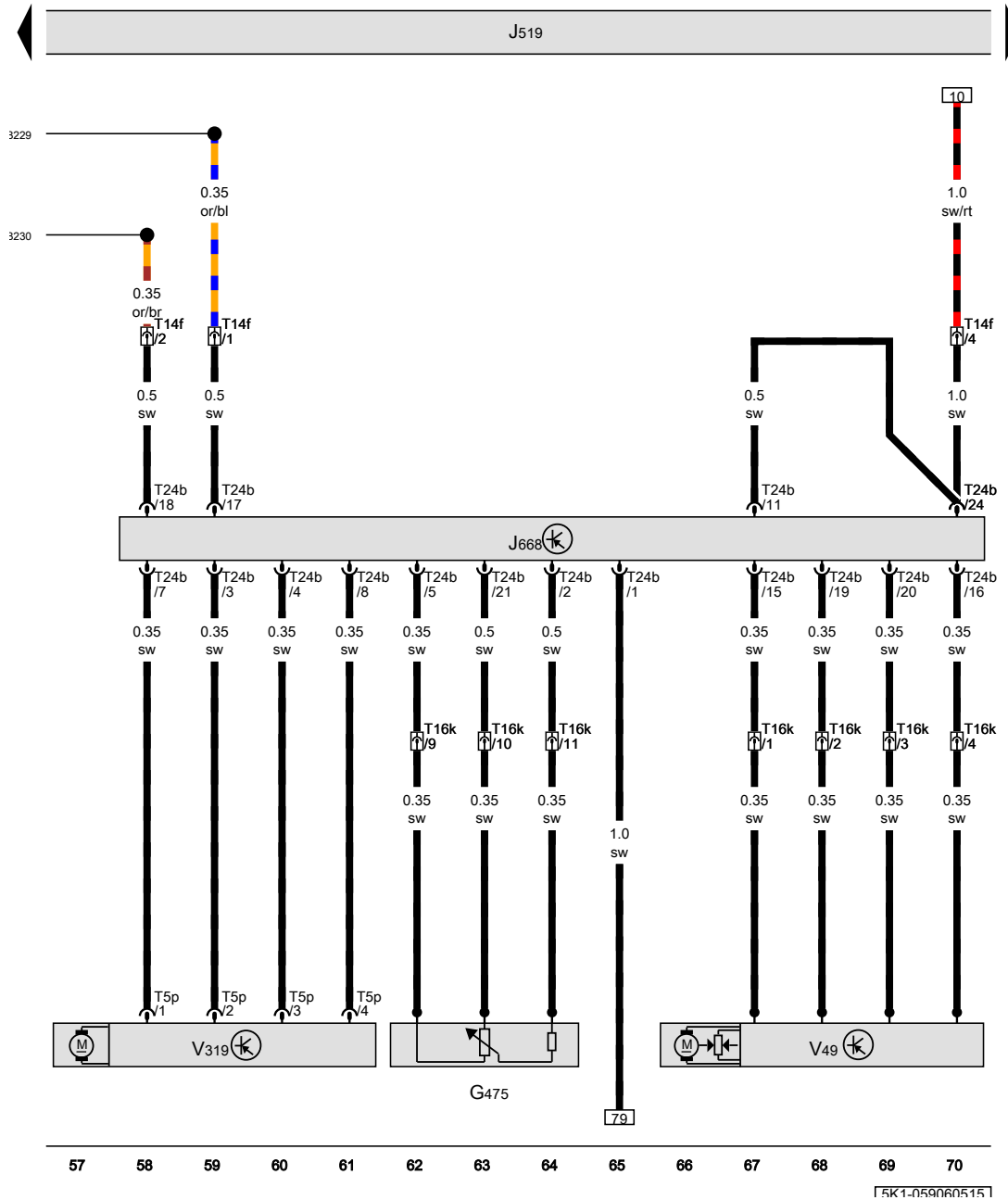
- (B229) High bus connection (in interior wiring harness)
- (B230) Low bus connection (in interior wiring harness)
- (B383) Powertrain CAN bus high connection 1 (in main wiring harness)
- (B390) Powertrain CAN bus low connection 1 (in main wiring harness)
- (N5) Connection 4 (in headlamp range control wiring harness)
- (N6) Connection 5 (in headlamp range control wiring harness)
- (N7) Connection 6 (in headlamp range control wiring harness)

- \* Only for vehicles without all wheel drive
- \*2 Only for vehicles with all wheel drive

- ws = white
- sw = black
- ro = red
- rt = red
- br = brown
- gn = green
- bl = blue
- gr = grey
- li = lilac
- vi = lilac
- ge = yellow
- or = orange
- rs = pink

43 44 45 46 47 48 49 50 51 52 53 54 55 56

15K1-0590505151



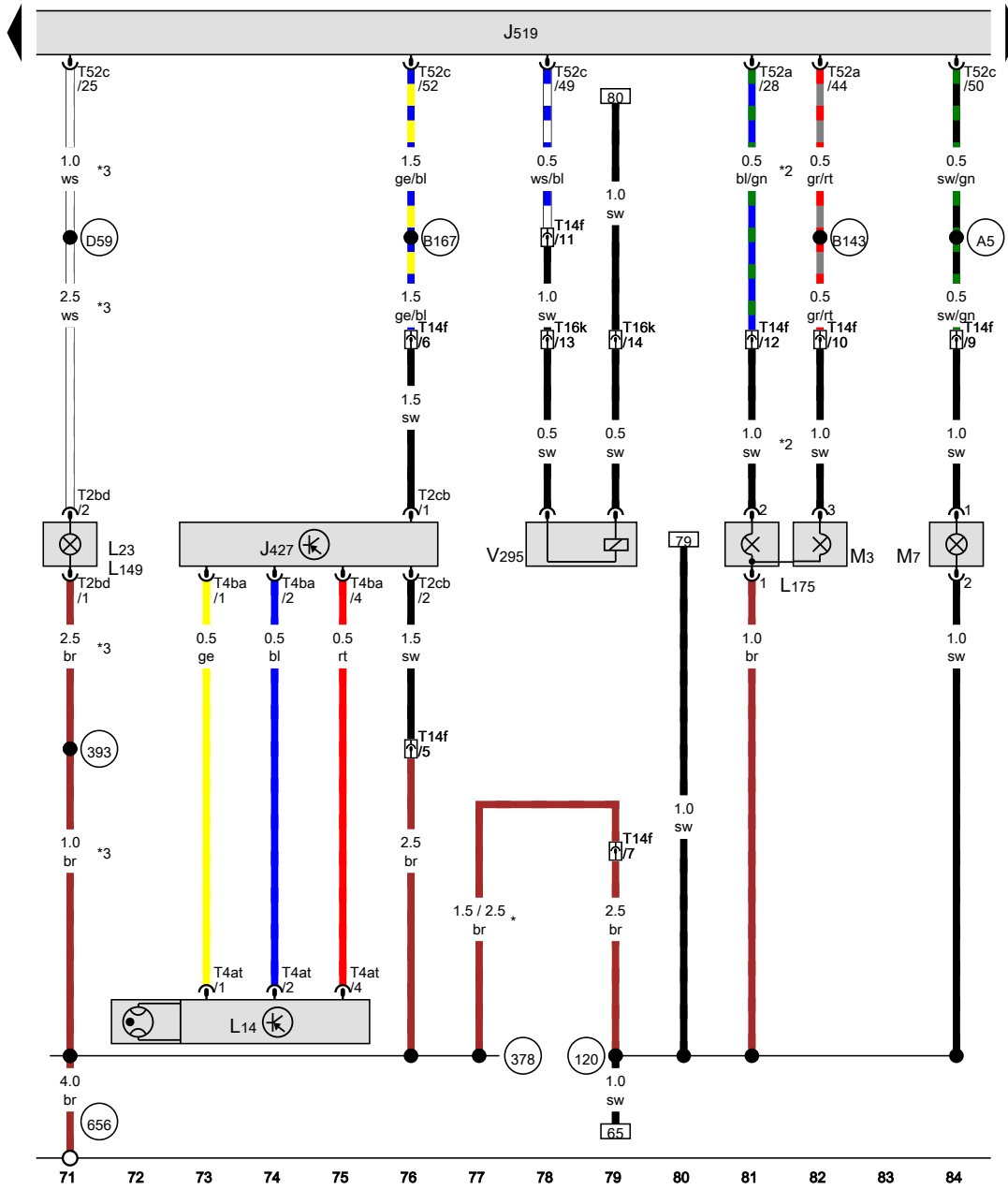
Right swivel module position sensor, Vehicle electrical control module system, Right headlamp power output module, Right headlamp beam adjustment motor, Right adaptive cornering lamp motor

- G475 Right swivel module position sensor
- J519 Vehicle electrical control module system
- J668 Right headlamp power output module, on the right headlamp
- T5p 5-pin connector
- T14f 14-pin connector, on the right headlamp
- T16k 16-pin connector, in the right headlamp, black
- T24b 24-pin connector
- V49 Right headlamp beam adjustment motor
- V319 Right adaptive cornering lamp motor

- (B229) High bus connection (in interior wiring harness)
- (B230) Low bus connection (in interior wiring harness)

- ws = white
- sw = black
- ro = red
- rt = red
- br = brown
- gn = green
- bl = blue
- gr = grey
- li = lilac
- vi = lilac
- ge = yellow
- or = orange
- rs = pink

15K1-059060515



Right HID lamp ballast, Vehicle electrical control module system, Right HID headlamp bulb, Right front fog lamp bulb, Right cornering lamp bulb, Right daytime running lamp bulb, Right front turn signal bulb, Right low beam headlamp reflector motor

- J427 Right HID lamp ballast
- J519 Vehicle electrical control module system
- L14 Right HID headlamp bulb
- L23 Right front fog lamp bulb
- L149 Right cornering lamp bulb
- L175 Right daytime running lamp bulb
- M3 Right position lamp bulb
- M7 Right front turn signal bulb
- T2bd Double connector
- T2cb Double connector
- T4at 4-pin connector
- T4ba 4-pin connector
- T14f 14-pin connector, on the right headlamp
- T16k 16-pin connector, in the right headlamp, black
- T52a 52-pin connector
- T52c 52-pin connector
- V295 Right low beam headlamp reflector motor

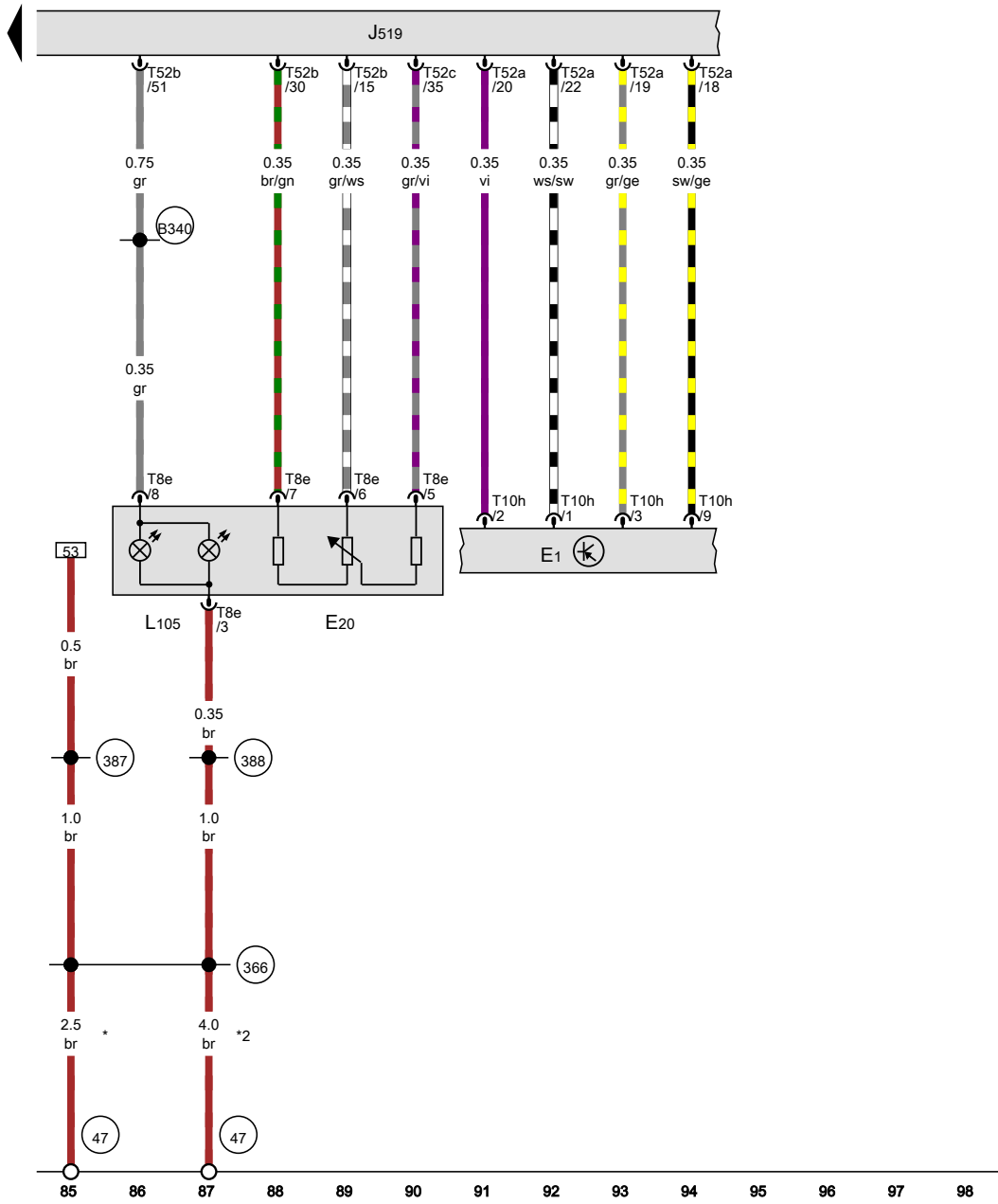
- (120) Ground connection 2 (in headlamp wiring harness)
- (378) Ground connection 13 (in main wiring harness)
- (393) Ground connection 28 (in main wiring harness)
- (656) Ground connection on right headlamp
- (A5) Right turn signal positive connection (in instrument panel wiring harness)
- (B143) Positive connection (58R) (in interior wiring harness)
- (B167) Connection 56b (in interior wiring harness)
- (D59) Fog lamp connection (in engine compartment wiring harness)

- ws = white
- sw = black
- ro = red
- rt = red
- br = brown
- gn = green
- bl = blue
- gr = grey
- li = lilac
- vi = lilac
- ge = yellow
- or = orange
- rs = pink

- \* from November 2009
- \*2 Only for vehicles with daytime running lamps
- \*3 Only for vehicles with fog lamps

15K1-059070515

Vehicle electrical control module system, Lighting control illumination bulb



- E1 Light switch
- E20 Instrument panel and switch illumination dimmer switch
- J519 Vehicle electrical control module system
- L105 Lighting control illumination bulb
- T8e 8-pin connector
- T10h 10-pin connector
- T52a 52-pin connector
- T52b 52-pin connector
- T52c 52-pin connector

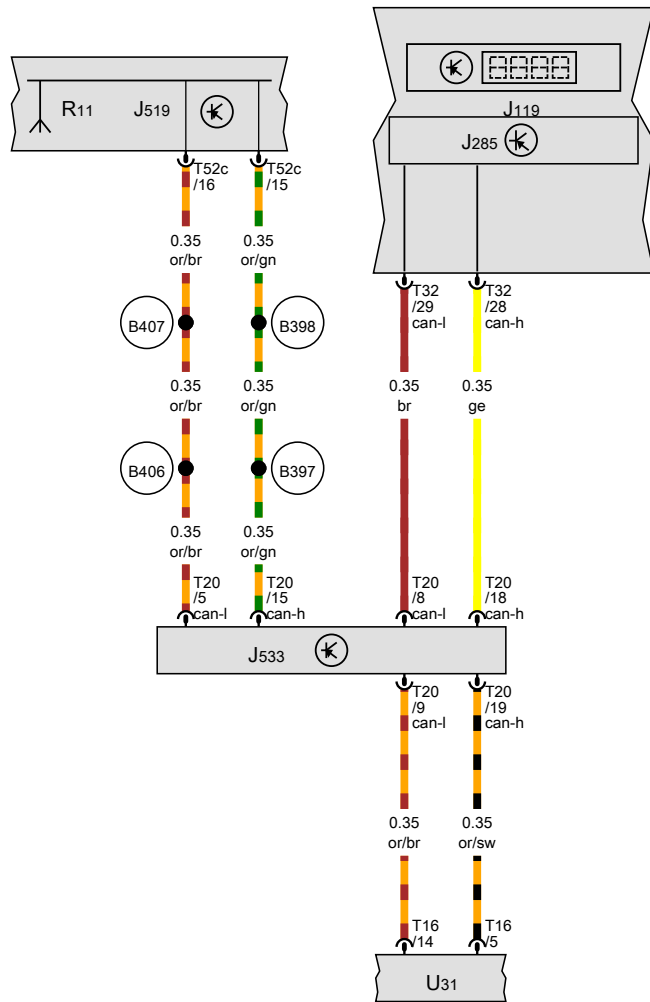
- 47 Ground connection in right front footwell
- 366 Ground connection 1 (in main wiring harness)
- 387 Ground connection 22 (in main wiring harness)
- 388 Ground connection 23 (in main wiring harness)
- B340 Connection 58d (in main wiring harness) 1
- \* Only for vehicles without Start/Stop system
- \*2 Only for vehicles with Start/Stop system

- ws = white
- sw = black
- ro = red
- rt = red
- br = brown
- gn = green
- bl = blue
- gr = grey
- li = lilac
- vi = lilac
- ge = yellow
- or = orange
- rs = pink

15K1-059080515

**Tire pressure monitoring , (7K4)**

from May 2009



Instrument cluster control module

- G222 Left front tire pressure monitoring sensor
- G223 Right front tire pressure monitoring sensor
- G224 Left rear tire pressure monitoring sensor
- G225 Right rear tire pressure monitoring sensor
- J119 Multifunction indicator
- J285 Instrument cluster control module
- J519 Vehicle electrical control module system
- J533 Data bus on board diagnostic interface
- R11 Antenna
- T16 16-pin connector
- T20 20-pin connector
- T32 32-pin connector
- T52c 52-pin connector
- U31 Diagnostic connection

- (B397) Comfort system CAN bus high connection 1 (in main wiring harness)
- (B398) Comfort system CAN bus high connection 2 (in main wiring harness)
- (B406) Comfort system CAN bus low connection 1 (in main wiring harness)
- (B407) Comfort system CAN bus low connection 2 (in main wiring harness)

- ws = white
- sw = black
- ro = red
- rt = red
- br = brown
- gn = green
- bl = blue
- gr = grey
- li = lilac
- vi = lilac
- ge = yellow
- or = orange
- rs = pink



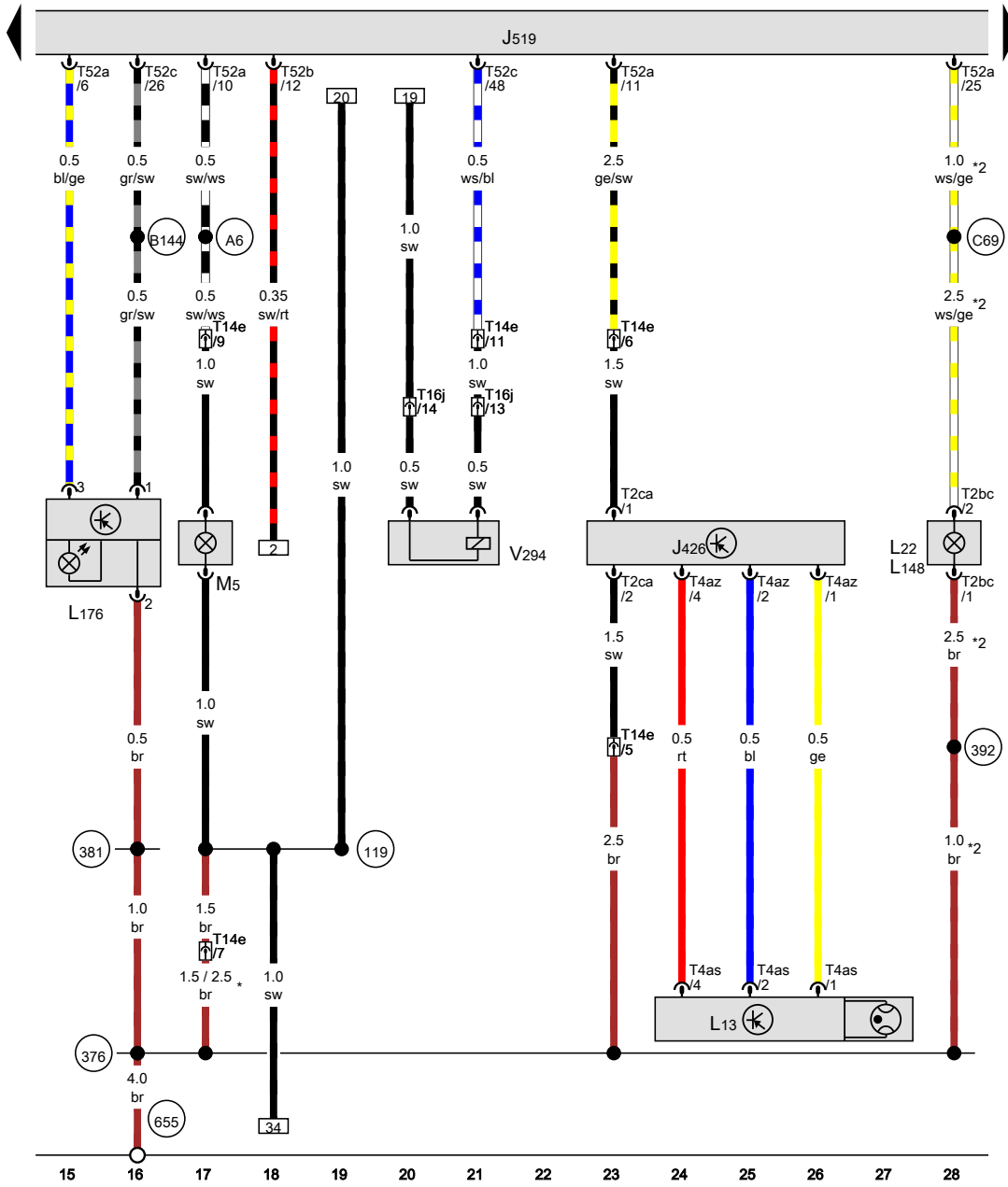
1 2 3 4 5 6 7 8 9 10 11 12 13 14

ГСК1-0600205151



**Headlamps Bixenon HID with range control, cornering lamp, LED daytime running lamps , (8K1),(8K2)**  
from November 2009





Left HID lamp ballast, Left HID headlamp bulb, Left front fog lamp bulb, Left cornering lamp bulb, Left daytime running lamp and position lamp LED module, Left front turn signal bulb, Left low beam headlamp reflector motor

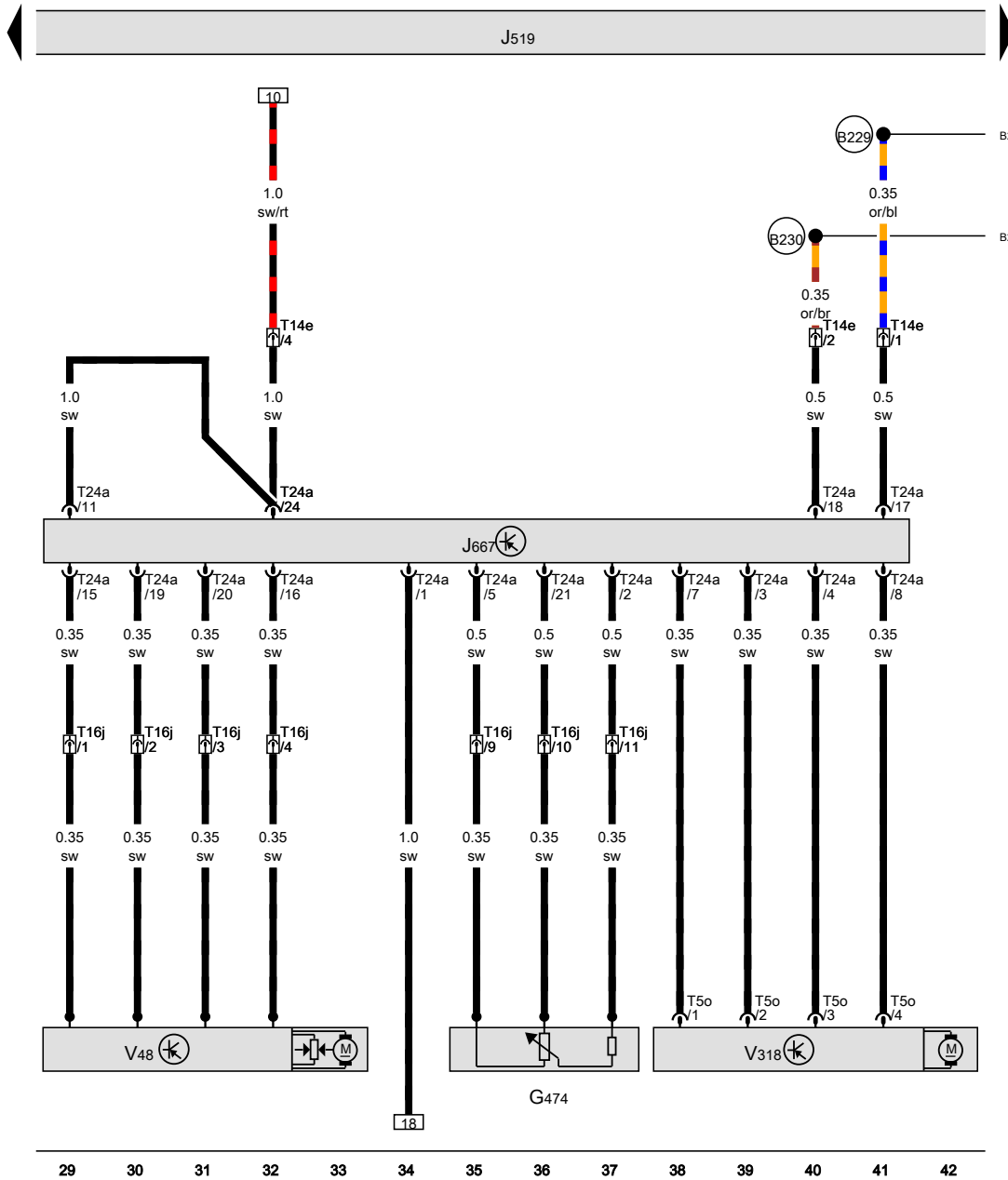
- J426 Left HID lamp ballast, on the left headlamp
- J519 Vehicle electrical control module system
- L13 Left HID headlamp bulb
- L22 Left front fog lamp bulb
- L148 Left cornering lamp bulb
- L176 Left daytime running lamp and position lamp LED module
- M5 Left front turn signal bulb
- T2bc Double connector
- T2ca Double connector
- T4as 4-pin connector
- T4az 4-pin connector
- T14e 14-pin connector, on the left headlamp
- T16j 16-pin connector, on the left headlamp
- T52a 52-pin connector
- T52b 52-pin connector
- T52c 52-pin connector
- V294 Left low beam headlamp reflector motor

- (119) Ground connection 1 (in headlamp wiring harness)
- (376) Ground connection 11 (in main wiring harness)
- (381) Ground connection 16 (in main wiring harness)
- (392) Ground connection 27 (in main wiring harness)
- (655) Ground connection on left headlamp
- (A6) Left turn signal positive connection (in instrument panel wiring harness)
- (B144) Positive connection (58L) (in interior wiring harness)
- (C69) Fog lamp connection (in left front wiring harness)

ws = white  
 sw = black  
 ro = red  
 rt = red  
 br = brown  
 gn = green  
 bl = blue  
 gr = grey  
 li = lilac  
 vi = lilac  
 ge = yellow  
 or = orange  
 rs = pink

\* from November 2009  
 \*2 Only for vehicles with fog lamps

Г5К1-063030515



Left swivel module position sensor, Left headlamp power output module, Left headlamp beam adjustment motor, Left adaptive cornering lamp motor

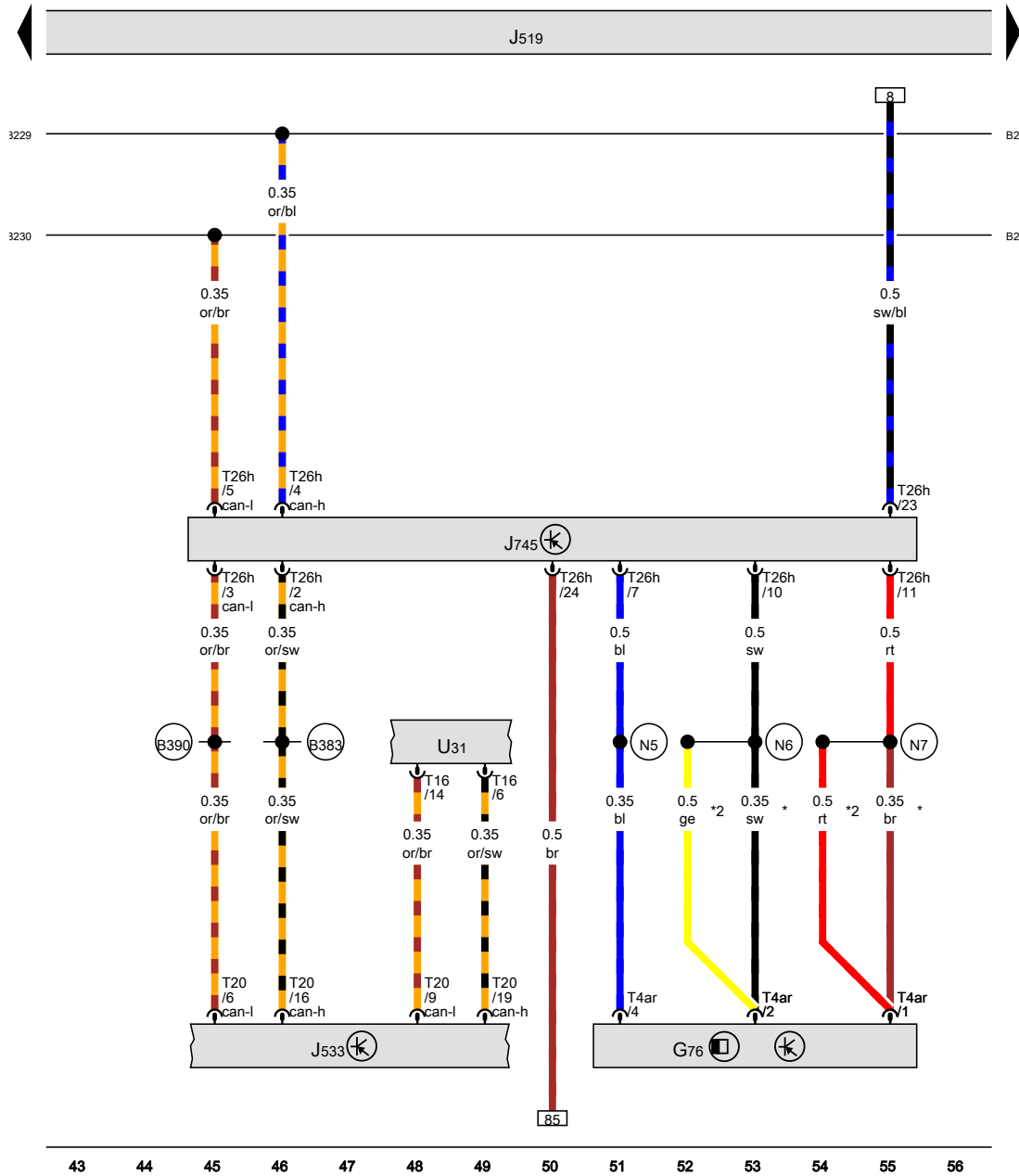
- G474 Left swivel module position sensor
- J519 Vehicle electrical control module system
- J667 Left headlamp power output module, on the left headlamp
- T5o 5-pin connector
- T14e 14-pin connector, on the left headlamp
- T16j 16-pin connector, on the left headlamp
- T24a 24-pin connector
- V48 Left headlamp beam adjustment motor
- V318 Left adaptive cornering lamp motor

(B229) High bus connection (in interior wiring harness)

(B230) Low bus connection (in interior wiring harness)

- ws = white
- sw = black
- ro = red
- rt = red
- br = brown
- gn = green
- bl = blue
- gr = grey
- li = lilac
- vi = lilac
- ge = yellow
- or = orange
- rs = pink

15K1-063040515



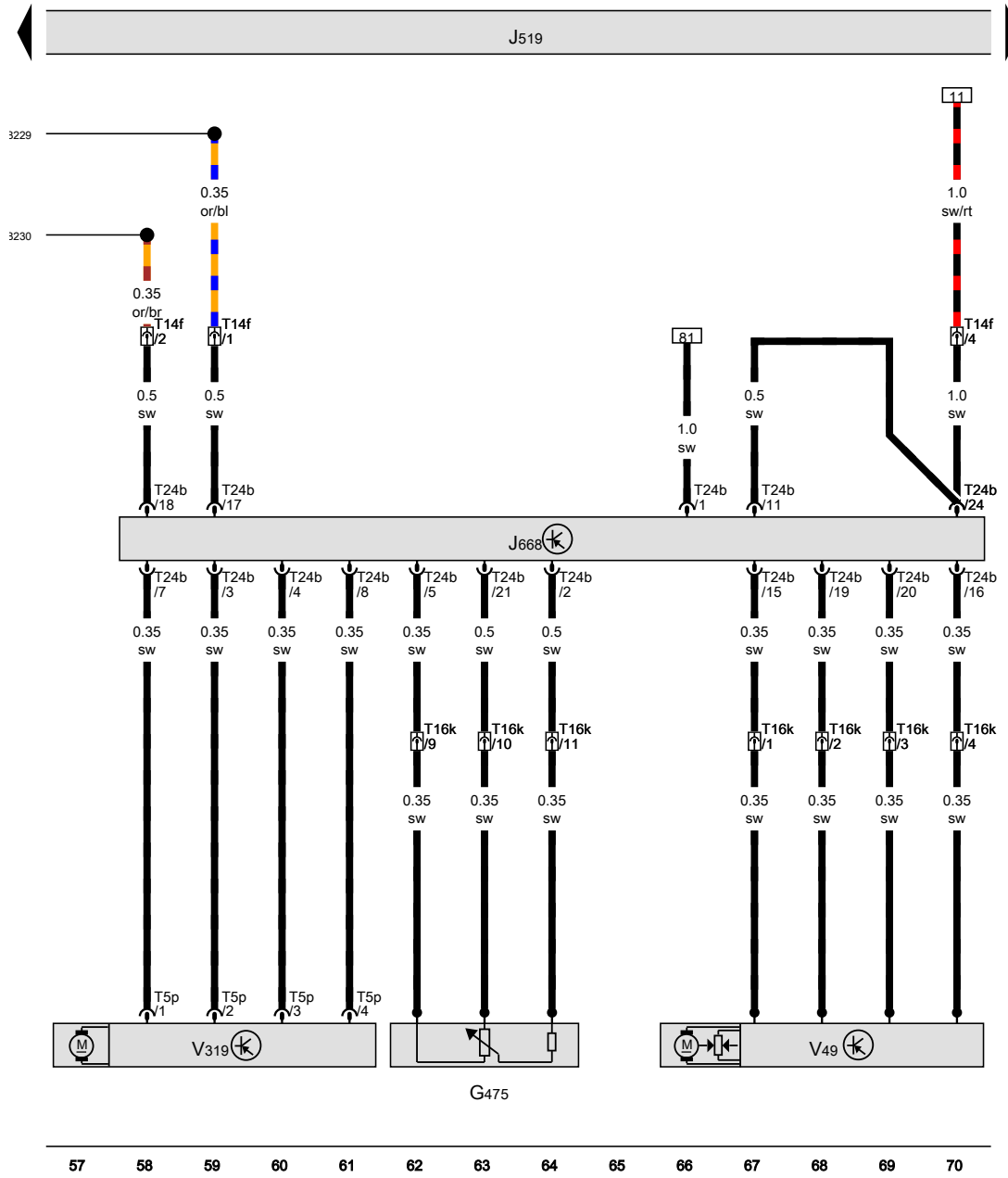
**Left rear level control system sensor, Data bus on board diagnostic interface, Cornering lamp and headlamp range control module**

- G76 Left rear level control system sensor
- J519 Vehicle electrical control module system
- J533 Data bus on board diagnostic interface, in the left footwell, near the center console
- J745 Cornering lamp and headlamp range control module, on the right glove compartment
- T4ar 4-pin connector
- T16 16-pin connector
- T20 20-pin connector
- T26h 26-pin connector
- U31 Diagnostic connection

- (B229) High bus connection (in interior wiring harness)
- (B230) Low bus connection (in interior wiring harness)
- (B383) Powertrain CAN bus high connection 1 (in main wiring harness)
- (B390) Powertrain CAN bus low connection 1 (in main wiring harness)
- (N5) Connection 4 (in headlamp range control wiring harness)
- (N6) Connection 5 (in headlamp range control wiring harness)
- (N7) Connection 6 (in headlamp range control wiring harness)
- \* Only for vehicles without all wheel drive
- \*2 Only for vehicles with all wheel drive

- ws = white
- sw = black
- ro = red
- rt = red
- br = brown
- gn = green
- bl = blue
- gr = grey
- li = lilac
- vi = lilac
- ge = yellow
- or = orange
- rs = pink

15K1-063050515



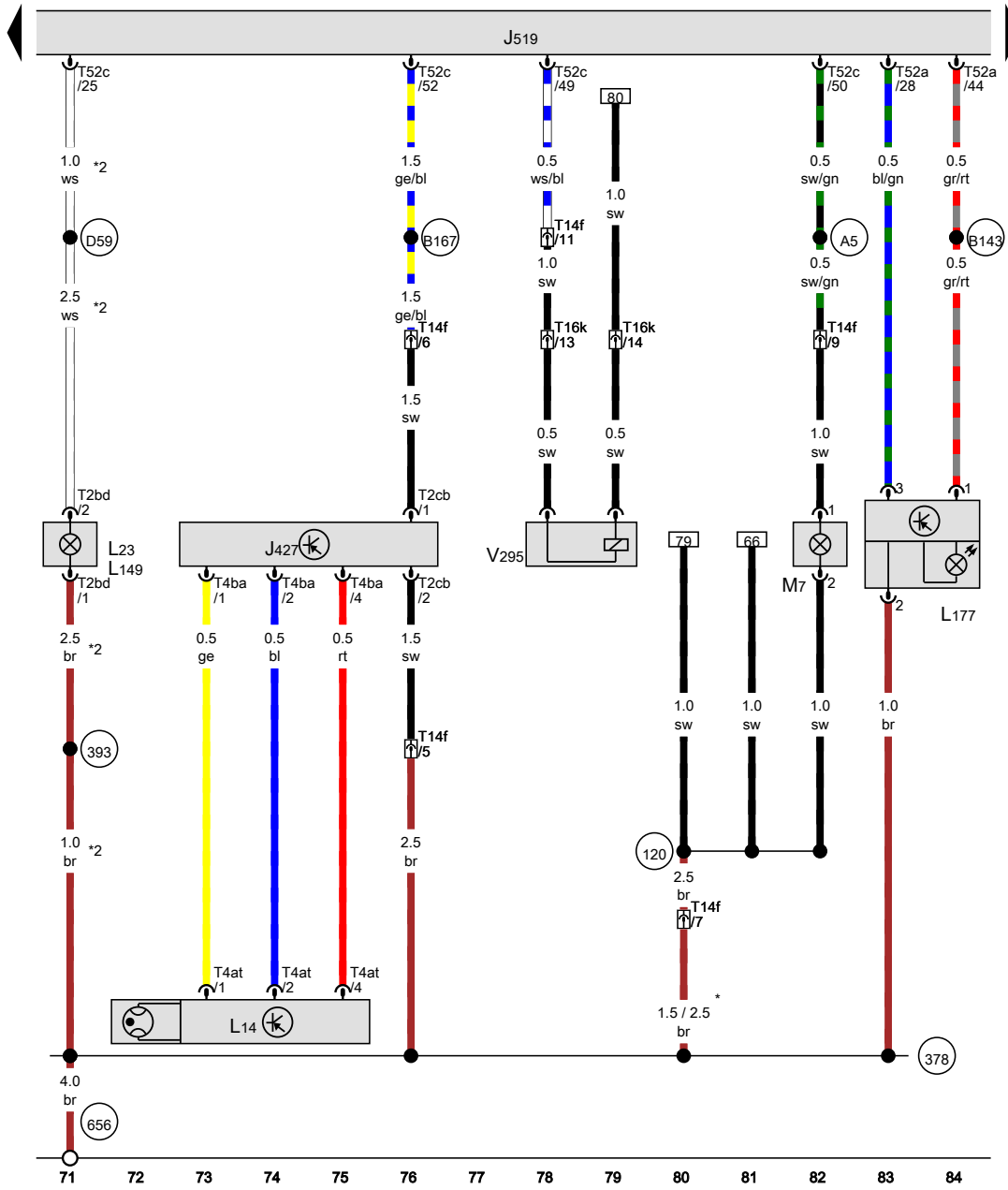
Right swivel module position sensor, Right headlamp power output module, Right headlamp beam adjustment motor, Right adaptive cornering lamp motor

- G475 Right swivel module position sensor
- J519 Vehicle electrical control module system
- J668 Right headlamp power output module, on the right headlamp
- T5p 5-pin connector
- T14f 14-pin connector, on the right headlamp
- T16k 16-pin connector, in the right headlamp, black
- T24b 24-pin connector
- V49 Right headlamp beam adjustment motor
- V319 Right adaptive cornering lamp motor

- B229 High bus connection (in interior wiring harness)
- B230 Low bus connection (in interior wiring harness)

- ws = white
- sw = black
- ro = red
- rt = red
- br = brown
- gn = green
- bl = blue
- gr = grey
- li = lilac
- vi = lilac
- ge = yellow
- or = orange
- rs = pink

15K1-063060515



Right HID lamp ballast, Right HID headlamp bulb, Right front fog lamp bulb, Right cornering lamp bulb, Right daytime running lamp and position lamp LED module, Right front turn signal bulb, Right low beam headlamp reflector motor

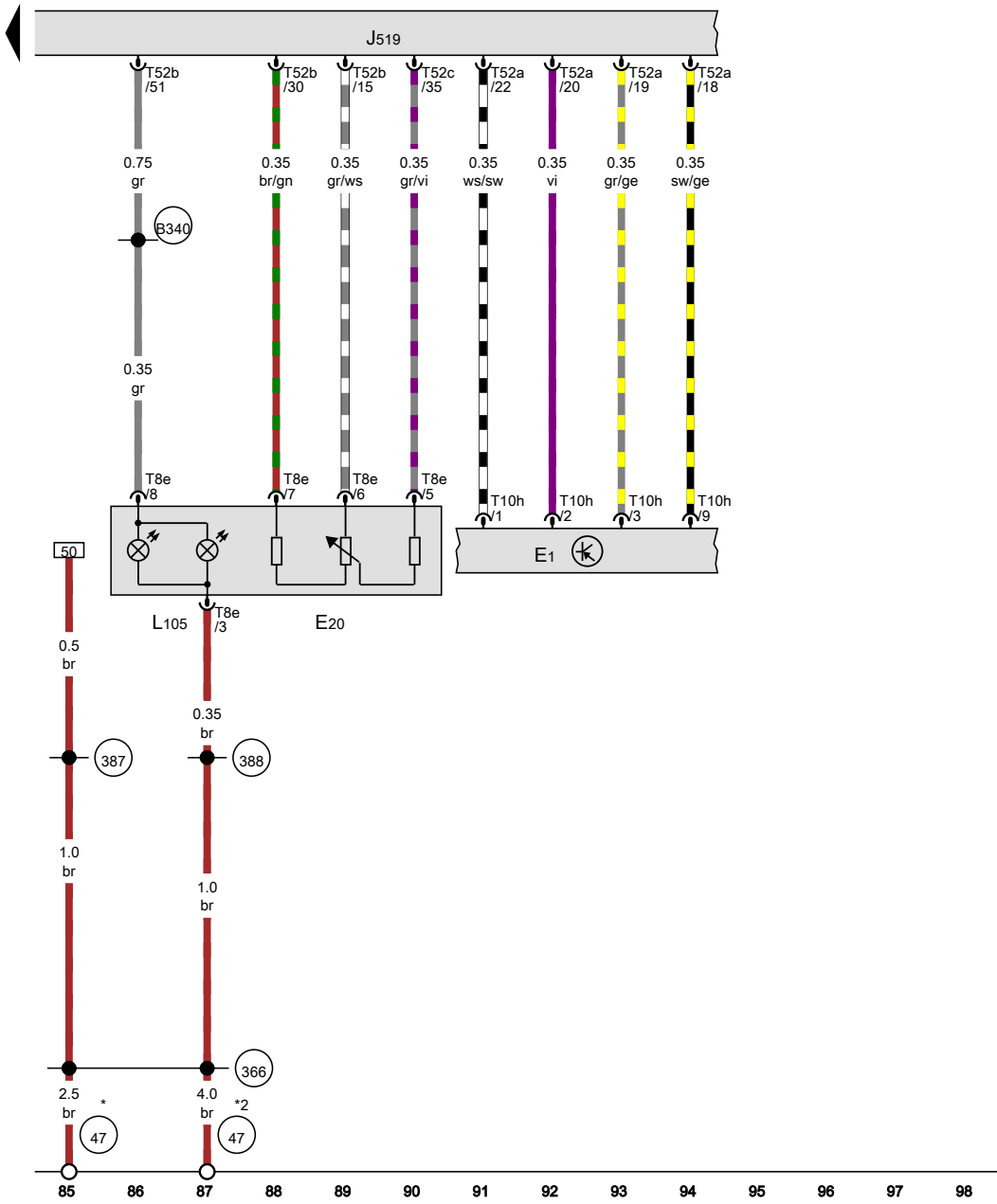
- J427 Right HID lamp ballast
- J519 Vehicle electrical control module system
- L14 Right HID headlamp bulb
- L23 Right front fog lamp bulb
- L149 Right cornering lamp bulb
- L177 Right daytime running lamp and position lamp LED module
- M7 Right front turn signal bulb
- T2bd Double connector
- T2cb Double connector
- T4at 4-pin connector
- T4ba 4-pin connector
- T14f 14-pin connector, on the right headlamp
- T16k 16-pin connector, in the right headlamp, black
- T52a 52-pin connector
- T52c 52-pin connector
- V295 Right low beam headlamp reflector motor

- (120) Ground connection 2 (in headlamp wiring harness)
- (378) Ground connection 13 (in main wiring harness)
- (393) Ground connection 28 (in main wiring harness)
- (656) Ground connection on right headlamp
- (A5) Right turn signal positive connection (in instrument panel wiring harness)
- (B143) Positive connection (58R) (in interior wiring harness)
- (B167) Connection 56b (in interior wiring harness)
- (D59) Fog lamp connection (in engine compartment wiring harness)

- ws = white
- sw = black
- ro = red
- rt = red
- br = brown
- gn = green
- bl = blue
- gr = grey
- li = lilac
- vi = lilac
- ge = yellow
- or = orange
- rs = pink

\* from November 2009  
 \*2 Only for vehicles with fog lamps

15K1-063070515



Lighting control illumination bulb

- E1 Light switch
- E20 Instrument panel and switch illumination dimmer switch
- J519 Vehicle electrical control module system
- L105 Lighting control illumination bulb
- T8e 8-pin connector
- T10h 10-pin connector
- T52a 52-pin connector
- T52b 52-pin connector
- T52c 52-pin connector

- 47 Ground connection in right front footwell
- 366 Ground connection 1 (in main wiring harness)
- 387 Ground connection 22 (in main wiring harness)
- 388 Ground connection 23 (in main wiring harness)
- B340 Connection 58d (in main wiring harness) 1

- \* Only for vehicles without Start/Stop system
- \*2 Only for vehicles with Start/Stop system

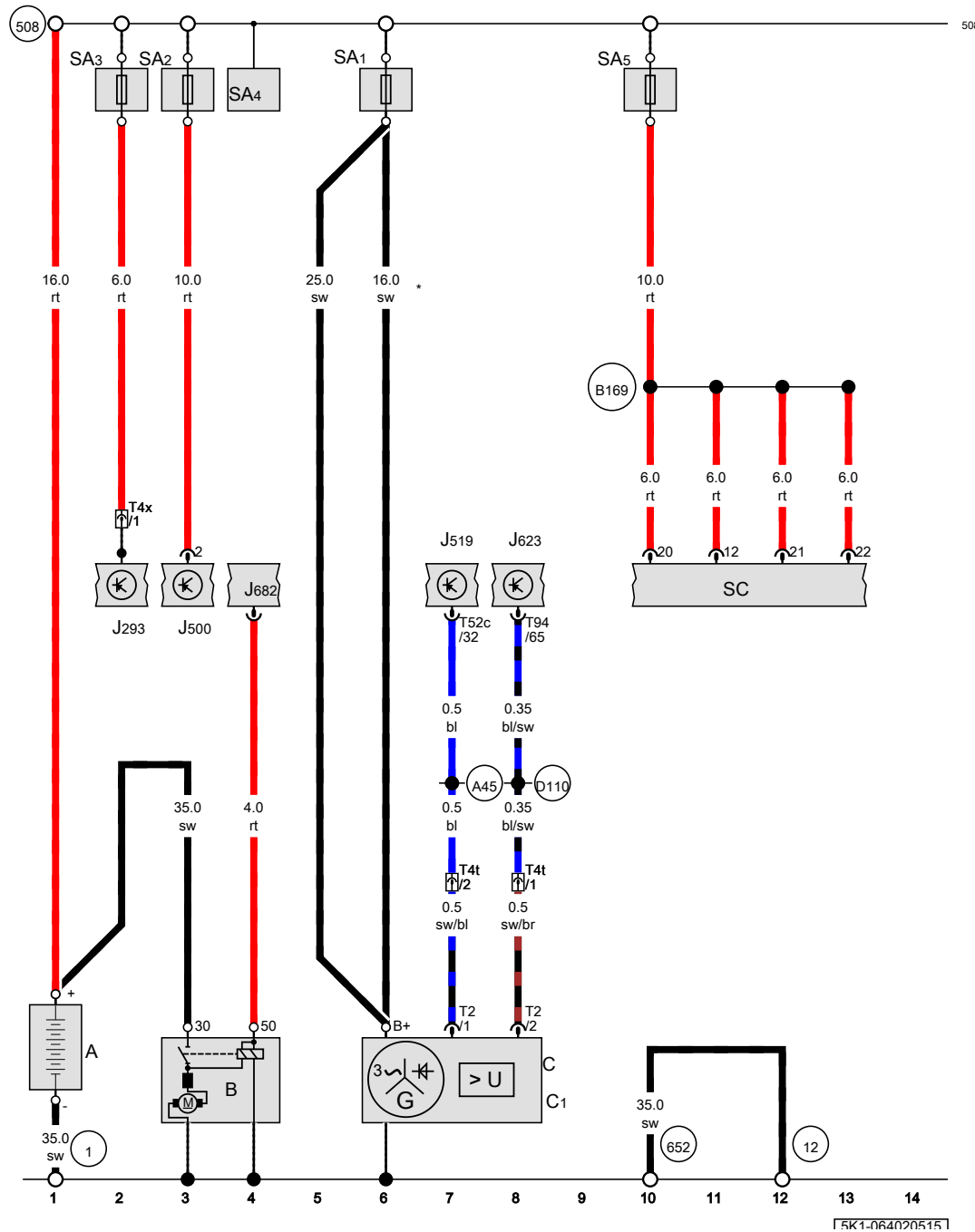
- ws = white
- sw = black
- ro = red
- rt = red
- br = brown
- gn = green
- bl = blue
- gr = grey
- li = lilac
- vi = lilac
- ge = yellow
- or = orange
- rs = pink

15K1-0630805151



## E-box High fuse assignment

from November 2009



Battery, Starter, Generator

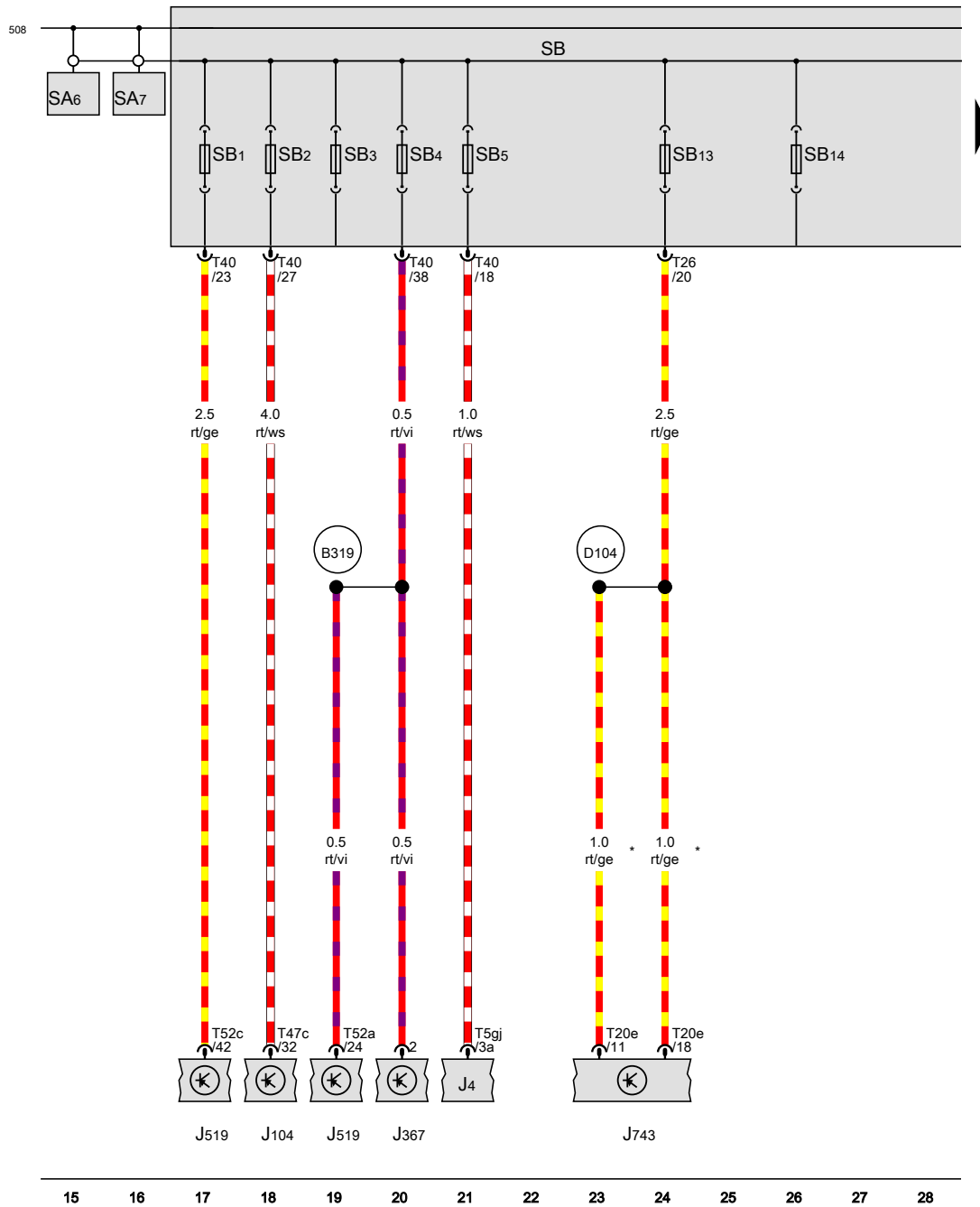
- A Battery
- B Starter
- C Generator
- C1 Voltage regulator
- J293 Radiator fan control module
- J500 Power steering control module
- J519 Vehicle electrical control module system
- J623 Engine control module
- J682 Terminal 50 power supply relay
- SA1 Fuse 1 (on fuse panel A)
- SA2 Fuse 2 (on fuse panel A)
- SA3 Fuse 3 (on fuse panel A)
- SA4 Fuse 4 (on fuse panel A)
- SA5 Fuse 5 (on fuse panel A)
- SC Fuse panel C
- T2 Double connector
- T4t 4-pin connector, near the starter
- T4x 4-pin connector
- T52c 52-pin connector
- T94 94-pin connector

- 1 Ground strap, battery to body
- 12 Ground connection in engine compartment, left
- 508 Terminal 30 threaded connection (on E-box)
- 652 Transmission/engine ground connection
- A45 RPM signal connection (in instrument panel wiring harness)
- B169 Positive connection 1 (30) (in interior wiring harness)
- D110 Connection 8 (in engine compartment wiring harness)

\* Only for vehicles with a generator (140 A)

- ws = white
- sw = black
- ro = red
- rt = red
- br = brown
- gn = green
- bl = blue
- gr = grey
- li = lilac
- vi = lilac
- ge = yellow
- or = orange
- rs = pink

Г5К1-064020515

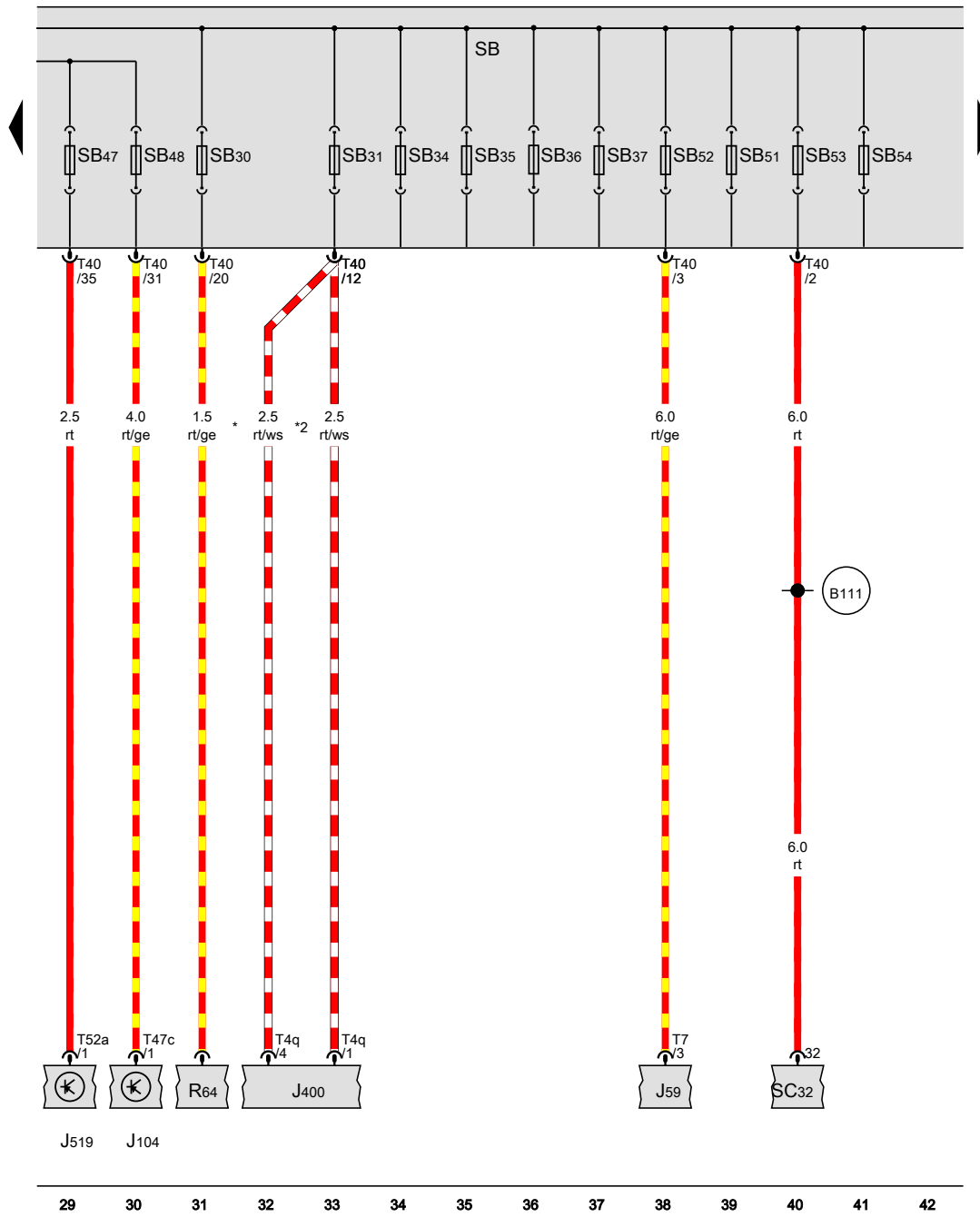


**Fuse panel B, Fuse 1 (on fuse panel B), Fuse 2 (on fuse panel B), Fuse 4 (on fuse panel B), Fuse 5 (on fuse panel B)**

- J4 Dual tone horn relay
- J104 ABS control module
- J367 Battery monitoring control module
- J519 Vehicle electrical control module system
- J743 DSG transmission Mechatronic
- SA6 Fuse 6 (on fuse panel A)
- SA7 Fuse 7 (on fuse panel A)
- SB Fuse panel B
- SB1 Fuse 1 (on fuse panel B)
- SB2 Fuse 2 (on fuse panel B)
- SB3 Fuse 3 (on fuse panel B)
- SB4 Fuse 4 (on fuse panel B)
- SB5 Fuse 5 (on fuse panel B)
- SB13 Fuse 13 (on fuse panel B)
- SB14 Fuse 14 (on fuse panel B)
- T5gj 5-pin connector
- T20e 20-pin connector
- T26 26-pin connector
- T40 40-pin connector
- T47c 47-pin connector
- T52a 52-pin connector
- T52c 52-pin connector

- 508 Terminal 30 threaded connection (on E-box)
- B319 Positive connection 5 (30a) (in main wiring harness)
- D104 Positive connection 2 (30a) (in engine compartment wiring harness)
- \* Only for vehicles with DSG transmission

- ws = white
- sw = black
- ro = red
- rt = red
- br = brown
- gn = green
- bl = blue
- gr = grey
- li = lilac
- vi = lilac
- ge = yellow
- or = orange
- rs = pink



Fuse panel B, Fuse 31 (on fuse panel B), Fuse 47 (on fuse panel B), Fuse 48 (on fuse panel B), Fuse 52 (on fuse panel B), Fuse 53 (on fuse panel B)

- J59 Load reduction relay
- J104 ABS control module
- J400 Wiper motor control module
- J519 Vehicle electrical control module system
- R64 Parking heater radio receiver
- SB Fuse panel B
- SB30 Fuse 30 (on fuse panel B)
- SB31 Fuse 31 (on fuse panel B)
- SC32 Fuse 32 (on fuse panel C)
- SB34 Fuse 34 (on fuse panel B)
- SB35 Fuse 35 (on fuse panel B)
- SB36 Fuse 36 (on fuse panel B)
- SB37 Fuse 37 (on fuse panel B)
- SB47 Fuse 47 (on fuse panel B)
- SB48 Fuse 48 (on fuse panel B)
- SB51 Fuse 51 (on fuse panel B)
- SB52 Fuse 52 (on fuse panel B)
- SB53 Fuse 53 (on fuse panel B)
- SB54 Fuse 54 (on fuse panel B)
- T4q 4-pin connector
- T7 7-pin connector
- T40 40-pin connector
- T47c 47-pin connector
- T52a 52-pin connector

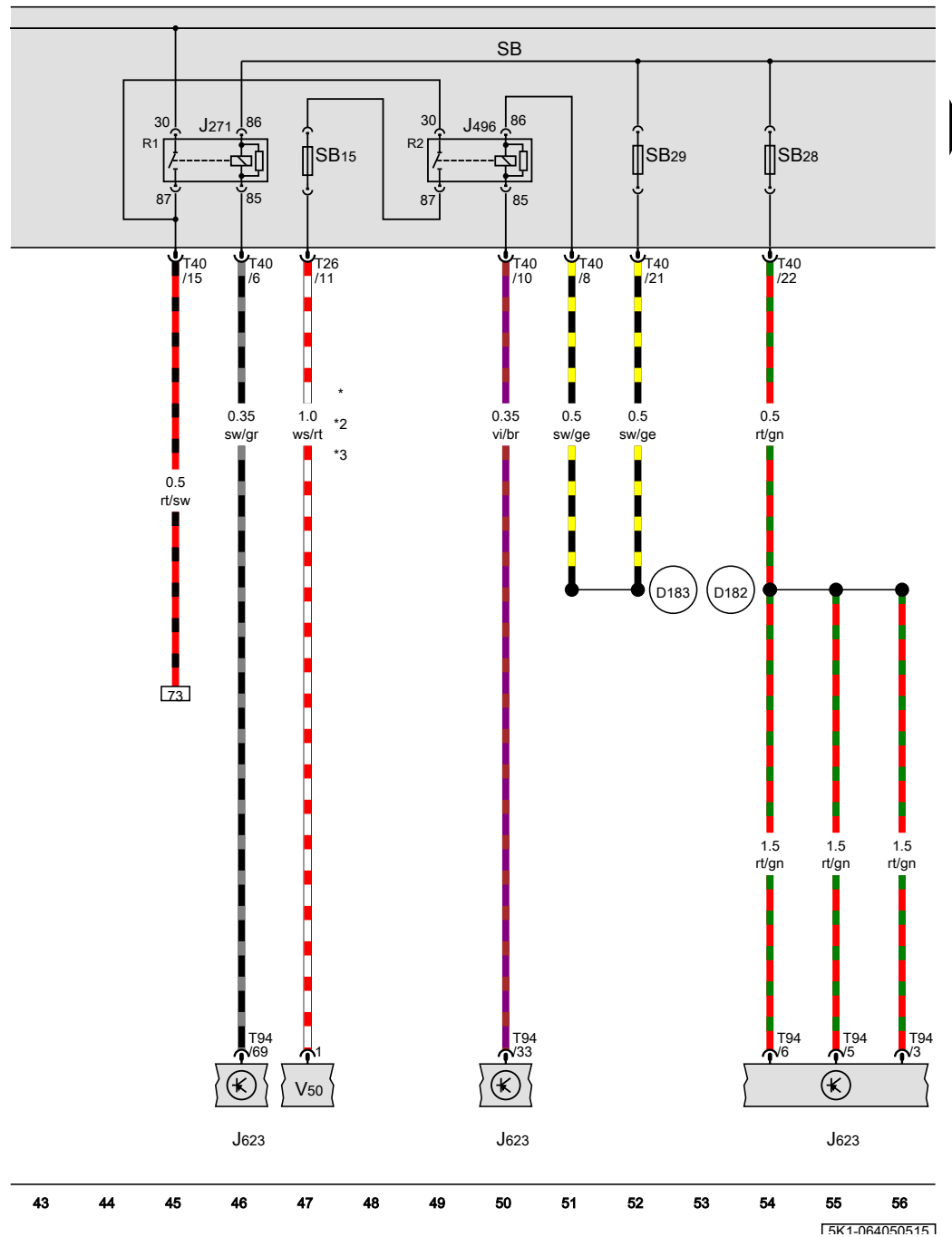
B111 Positive connection 1 (30a) (in interior wiring harness)

- \* Only for vehicles with auxiliary heater radio receiver
- \*2 Only for right-hand drive vehicles

- ws = white
- sw = black
- ro = red
- rt = red
- br = brown
- gn = green
- bl = blue
- gr = grey
- li = lilac
- vi = lilac
- ge = yellow
- or = orange
- rs = pink

29 30 31 32 33 34 35 36 37 38 39 40 41 42

15K1-0640405151



**Motronic engine control module power supply relay, Auxiliary engine coolant pump relay, Fuse panel B, Fuse 15 (on fuse panel B), Fuse 28 (on fuse panel B), Fuse 29 (on fuse panel B)**

- J271 Motronic engine control module power supply relay
- J496 Auxiliary engine coolant pump relay
- J623 Engine control module
- SB Fuse panel B
- SB15 Fuse 15 (on fuse panel B)
- SB28 Fuse 28 (on fuse panel B)
- SB29 Fuse 29 (on fuse panel B)
- T26 26-pin connector
- T40 40-pin connector
- T94 94-pin connector
- V50 Coolant recirculation pump

D182 Connection 3 (87a) (in engine compartment wiring harness)

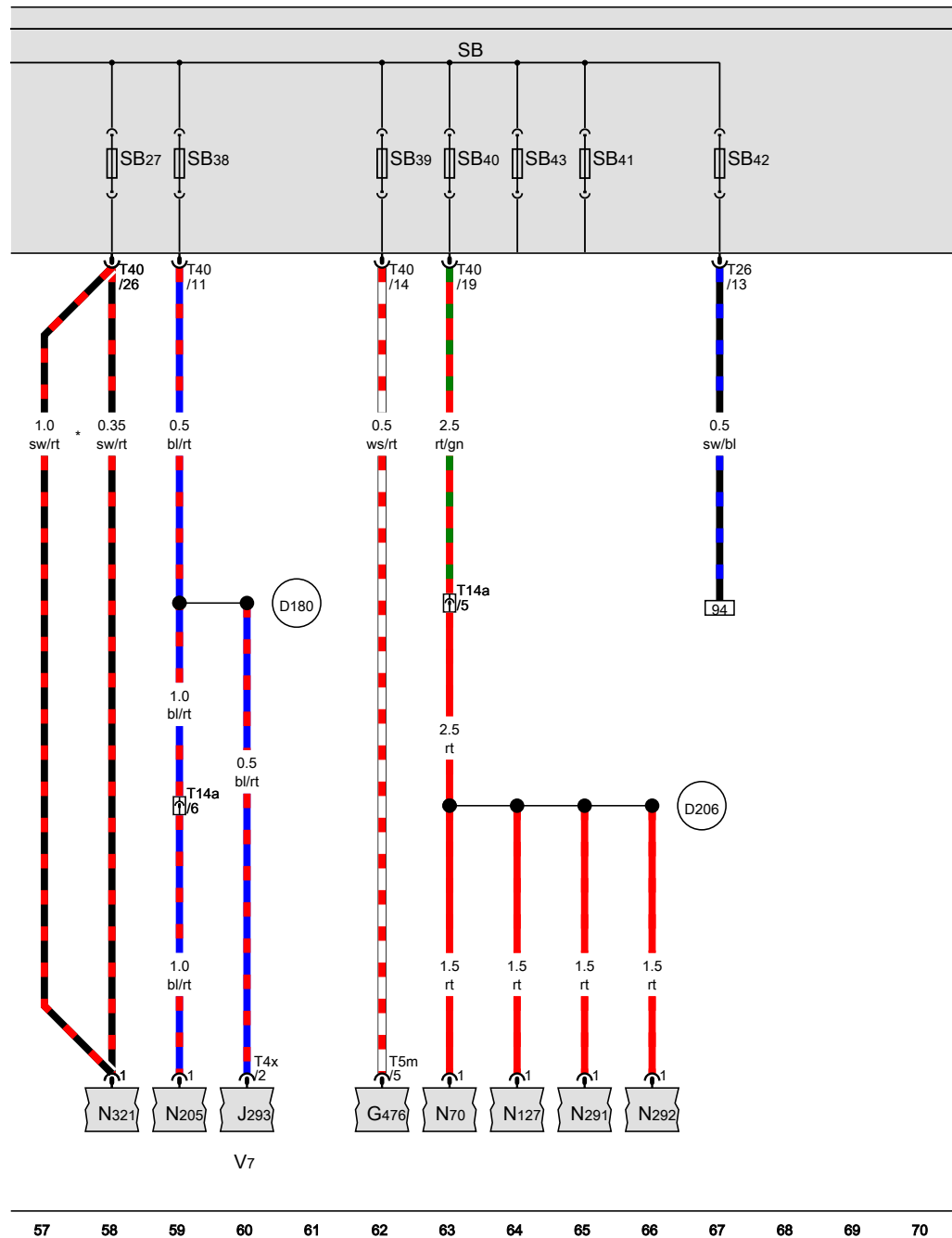
D183 Connection 4 (87a) (in engine compartment wiring harness)

- \* Through May 2010
- \*2 from June 2010
- \*3 Refer to applicable engine wiring diagram

- ws = white
- sw = black
- ro = red
- rt = red
- br = brown
- gn = green
- bl = blue
- gr = grey
- li = lilac
- vi = lilac
- ge = yellow
- or = orange
- rs = pink

43 44 45 46 47 48 49 50 51 52 53 54 55 56

15K1-0640505151



Fuse panel B, Fuse 27 (on fuse panel B), Fuse 38 (on fuse panel B), Fuse 39 (on fuse panel B), Fuse 40 (on fuse panel B), Fuse 42 (on fuse panel B)

- G476 Clutch position sensor
- J293 Radiator fan control module
- N70 Ignition coil 1 with power output stage
- N127 Ignition coil 2 with power output stage
- N205 Camshaft adjustment valve 1
- N291 Ignition coil 3 with power output stage
- N292 Ignition coil 4 with power output stage
- N321 Exhaust door valve 1
- SB Fuse panel B
- SB27 Fuse 27 (on fuse panel B)
- SB38 Fuse 38 (on fuse panel B)
- SB39 Fuse 39 (on fuse panel B)
- SB40 Fuse 40 (on fuse panel B)
- SB41 Fuse 41 (on fuse panel B)
- SB42 Fuse 42 (on fuse panel B)
- SB43 Fuse 43 (on fuse panel B)
- T4x 4-pin connector
- T5m 5-pin connector
- T14a 14-pin connector
- T26 26-pin connector
- T40 40-pin connector
- V7 Radiator fan

D180 Connection 87a (in engine compartment wiring harness)

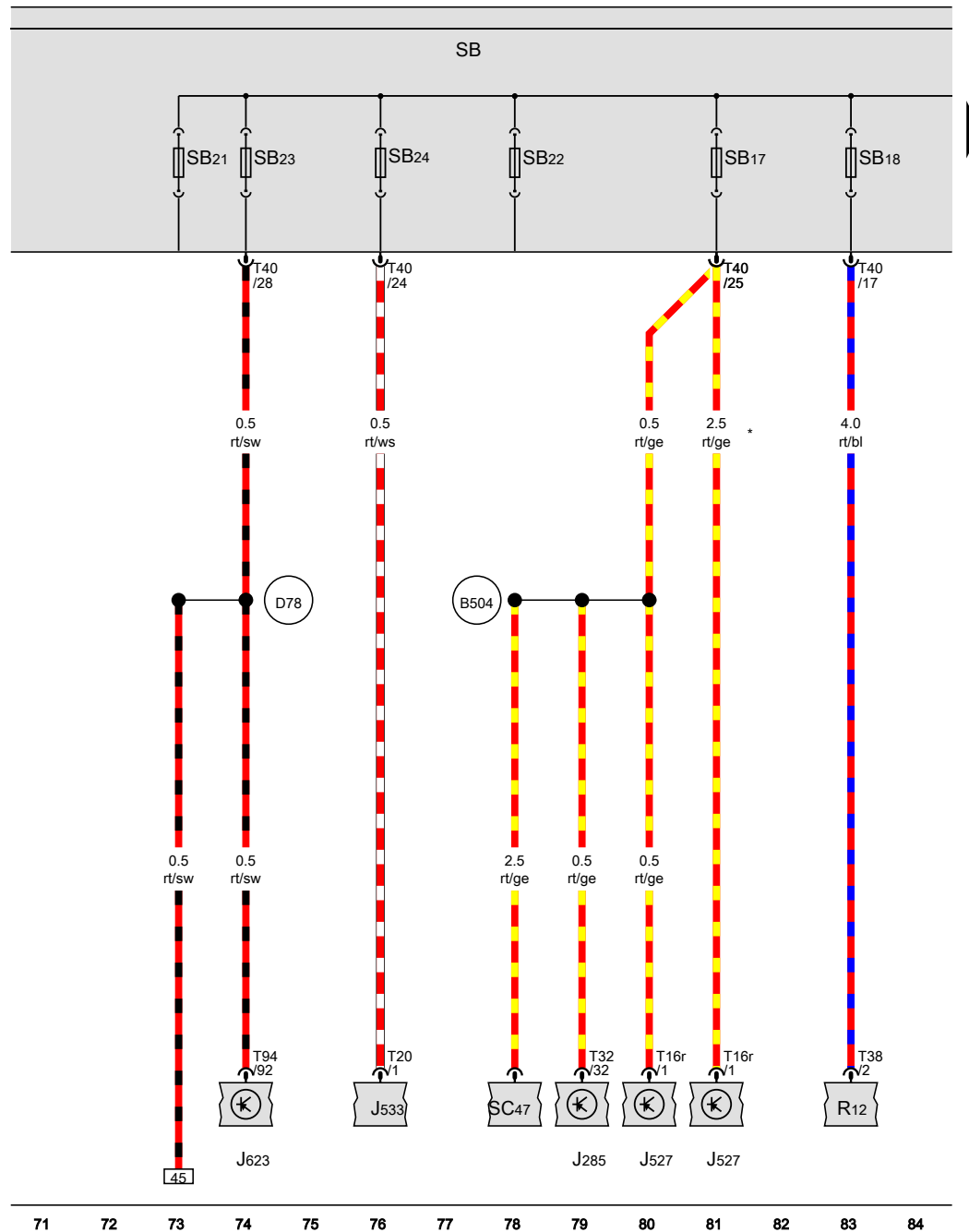
D206 Connection 87a (in engine pre-wiring harness) 4

\* Only for right-hand drive vehicles

- ws = white
- sw = black
- ro = red
- rt = red
- br = brown
- gn = green
- bl = blue
- gr = grey
- li = lilac
- vi = lilac
- ge = yellow
- or = orange
- rs = pink

57 58 59 60 61 62 63 64 65 66 67 68 69 70

15K1-0640605151



Fuse panel B, Fuse 17 (on fuse panel B), Fuse 18 (on fuse panel B), Fuse 23 (on fuse panel B), Fuse 24 (on fuse panel B)

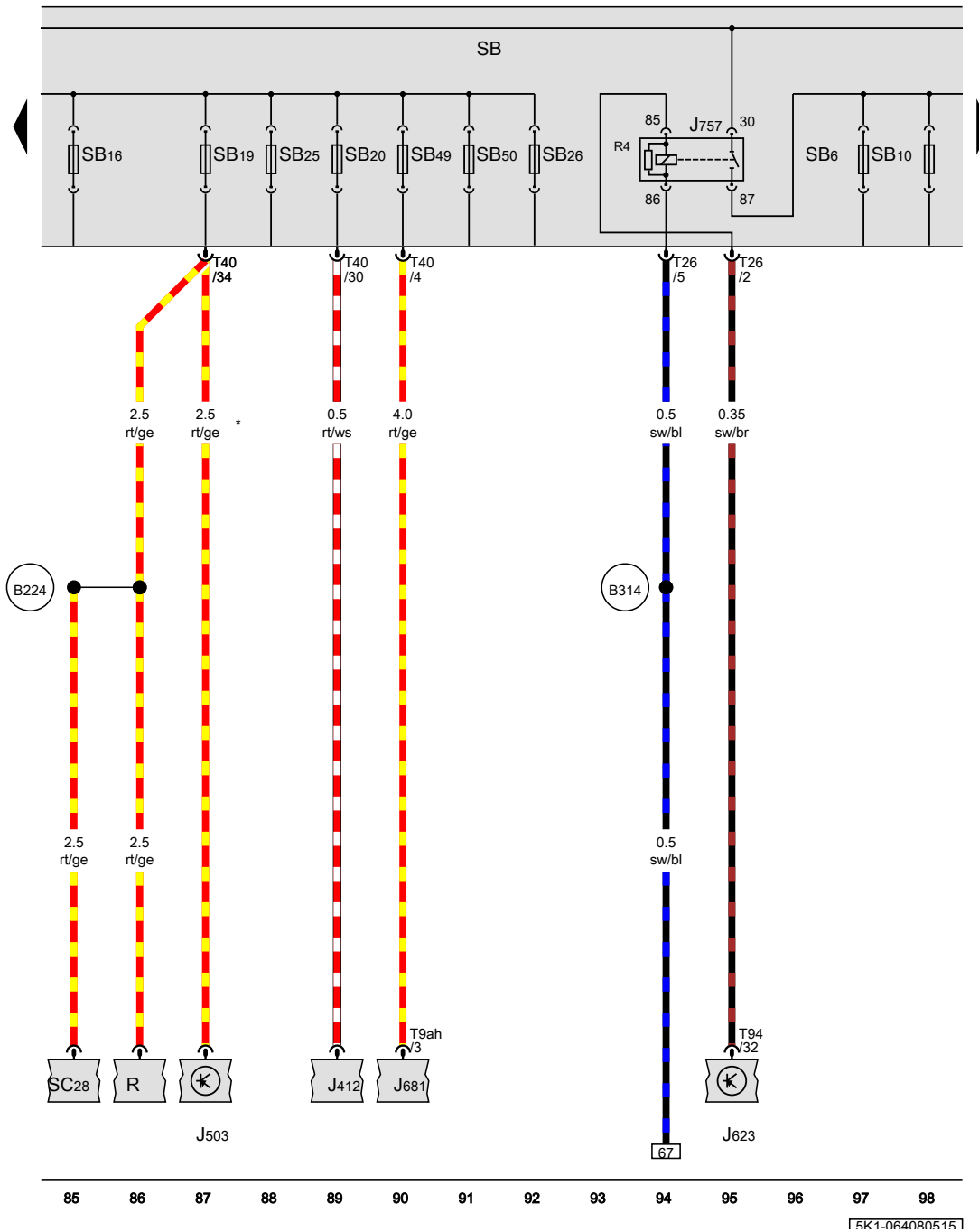
- J285 Instrument cluster control module
- J527 Steering column electronics control module
- J533 Data bus on board diagnostic interface
- J623 Engine control module
- R12 Amplifier
- SB Fuse panel B
- SB17 Fuse 17 (on fuse panel B)
- SB18 Fuse 18 (on fuse panel B)
- SB21 Fuse 21 (on fuse panel B)
- SB22 Fuse 22 (on fuse panel B)
- SB23 Fuse 23 (on fuse panel B)
- SB24 Fuse 24 (on fuse panel B)
- SC47 Fuse 47 (on fuse panel C)
- T16r 16-pin connector
- T20 20-pin connector
- T32 32-pin connector
- T38 38-pin connector
- T40 40-pin connector
- T94 94-pin connector

(B504) Positive connection 8 (30a) (in interior wiring harness)

(D78) Positive connection 1 (30a) (in engine compartment wiring harness)

\* Only for vehicles with Start/Stop system

- ws = white
- sw = black
- ro = red
- rt = red
- br = brown
- gn = green
- bl = blue
- gr = grey
- li = lilac
- vi = lilac
- ge = yellow
- or = orange
- rs = pink



Radio/navigation display unit control module, Engine component power supply relay, Fuse panel B, Fuse 19 (on fuse panel B), Fuse 20 (on fuse panel B), Fuse 49 (on fuse panel B)

- J412 Cell phone operating electronics control module
- J503 Radio/navigation display unit control module
- J623 Engine control module
- J681 Terminal 15 power supply relay 2
- J757 Engine component power supply relay
- R Radio
- SB Fuse panel B
- SB6 Fuse 6 (on fuse panel B)
- SB10 Fuse 10 (on fuse panel B)
- SB16 Fuse 16 (on fuse panel B)
- SB19 Fuse 19 (on fuse panel B)
- SB20 Fuse 20 (on fuse panel B)
- SB25 Fuse 25 (on fuse panel B)
- SB26 Fuse 26 (on fuse panel B)
- SC28 Fuse 28 (on fuse panel C)
- SB49 Fuse 49 (on fuse panel B)
- SB50 Fuse 50 (on fuse panel B)
- T9ah 9-pin connector
- T26 26-pin connector
- T40 40-pin connector
- T94 94-pin connector

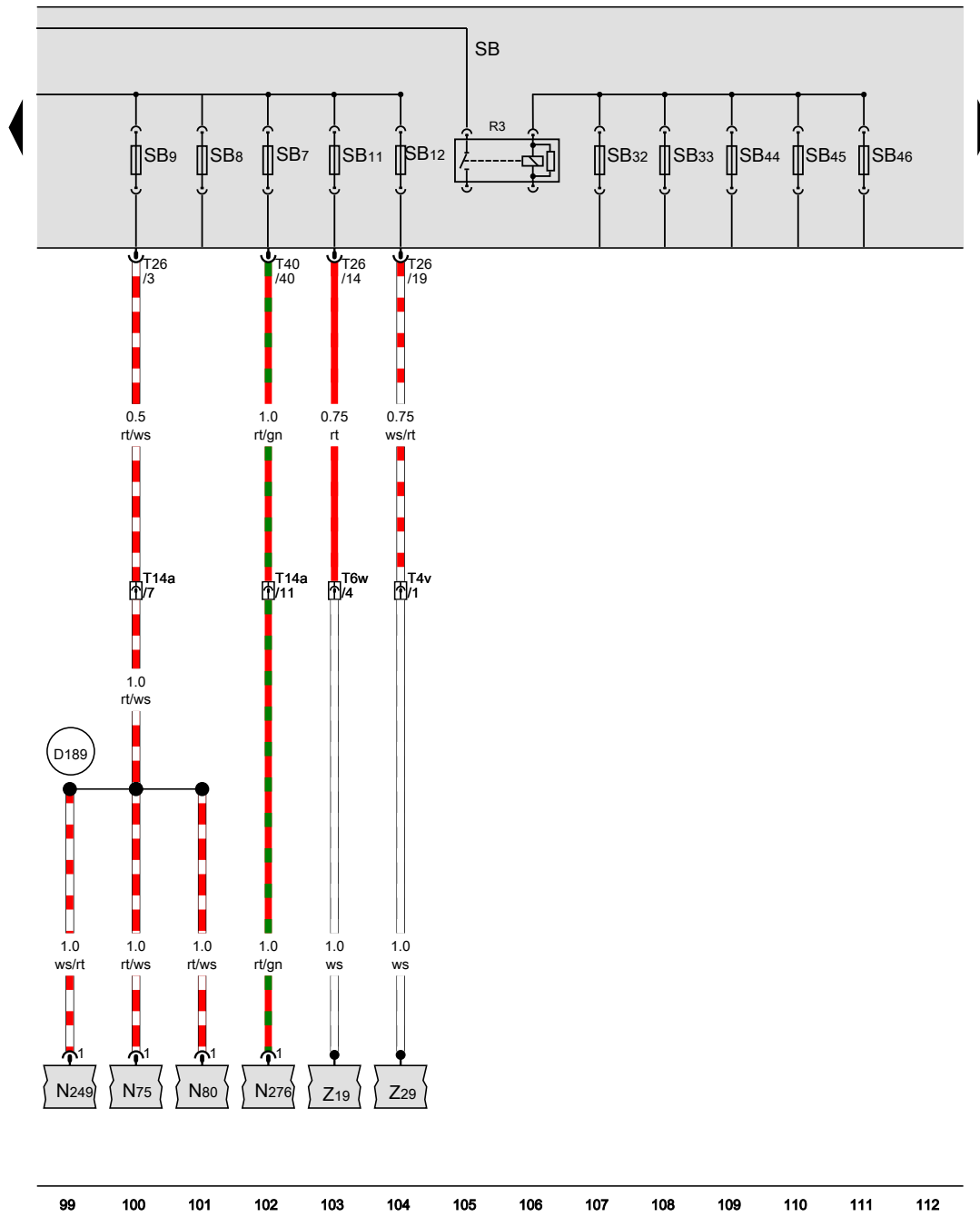
B224 Radio connection 1 (in interior wiring harness)

B314 Positive connection 18 (30) (in main wiring harness)

\* Only for vehicles without Start/Stop system

- ws = white
- sw = black
- ro = red
- rt = red
- br = brown
- gn = green
- bl = blue
- gr = grey
- li = lilac
- vi = lilac
- ge = yellow
- or = orange
- rs = pink

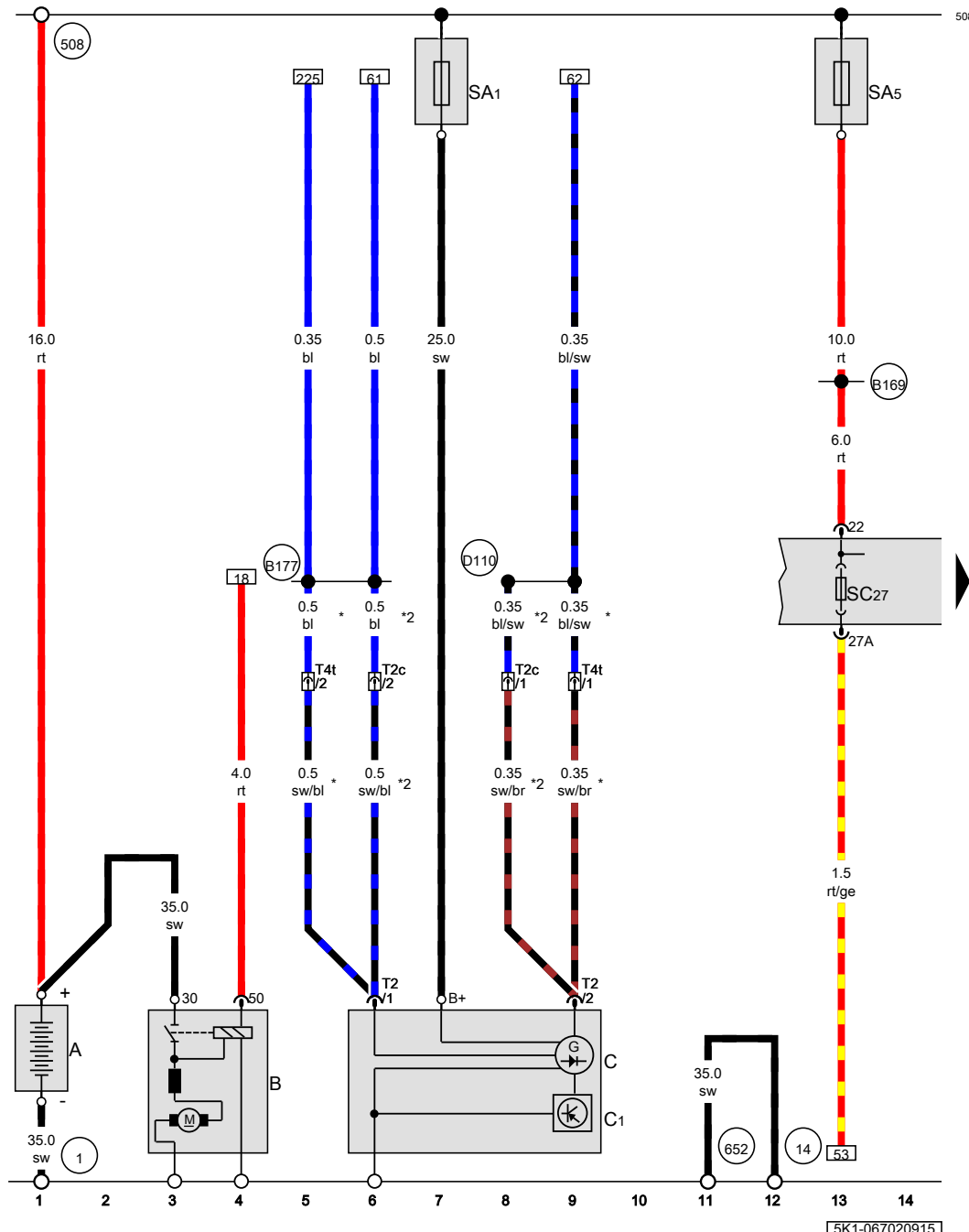




Fuse panel B, Fuse 7 (on fuse panel B), Fuse 9 (on fuse panel B), Fuse 11 (on fuse panel B), Fuse 12 (on fuse panel B), Oxygen sensor heater, Heater for oxygen sensor 1 after catalytic converter

- N75 Wastegate bypass regulator valve
- N80 EVAP canister purge regulator valve 1
- N249 Turbocharger recirculation valve
- N276 Fuel pressure regulator valve
- SB Fuse panel B
- SB7 Fuse 7 (on fuse panel B)
- SB8 Fuse 8 (on fuse panel B)
- SB9 Fuse 9 (on fuse panel B)
- SB11 Fuse 11 (on fuse panel B)
- SB12 Fuse 12 (on fuse panel B)
- SB32 Fuse 32 (on fuse panel B)
- SB33 Fuse 33 (on fuse panel B)
- SB44 Fuse 44 (on fuse panel B)
- SB45 Fuse 45 (on fuse panel B)
- SB46 Fuse 46 (on fuse panel B)
- T4v 4-pin connector
- T6w 6-pin connector
- T14a 14-pin connector
- T26 26-pin connector
- T40 40-pin connector
- Z19 Oxygen sensor heater
- Z29 Heater for oxygen sensor 1 after catalytic converter
- D189 Connection 87a (in engine pre-wiring harness)

**2.0L diesel engine , CJAA**  
from September 2009



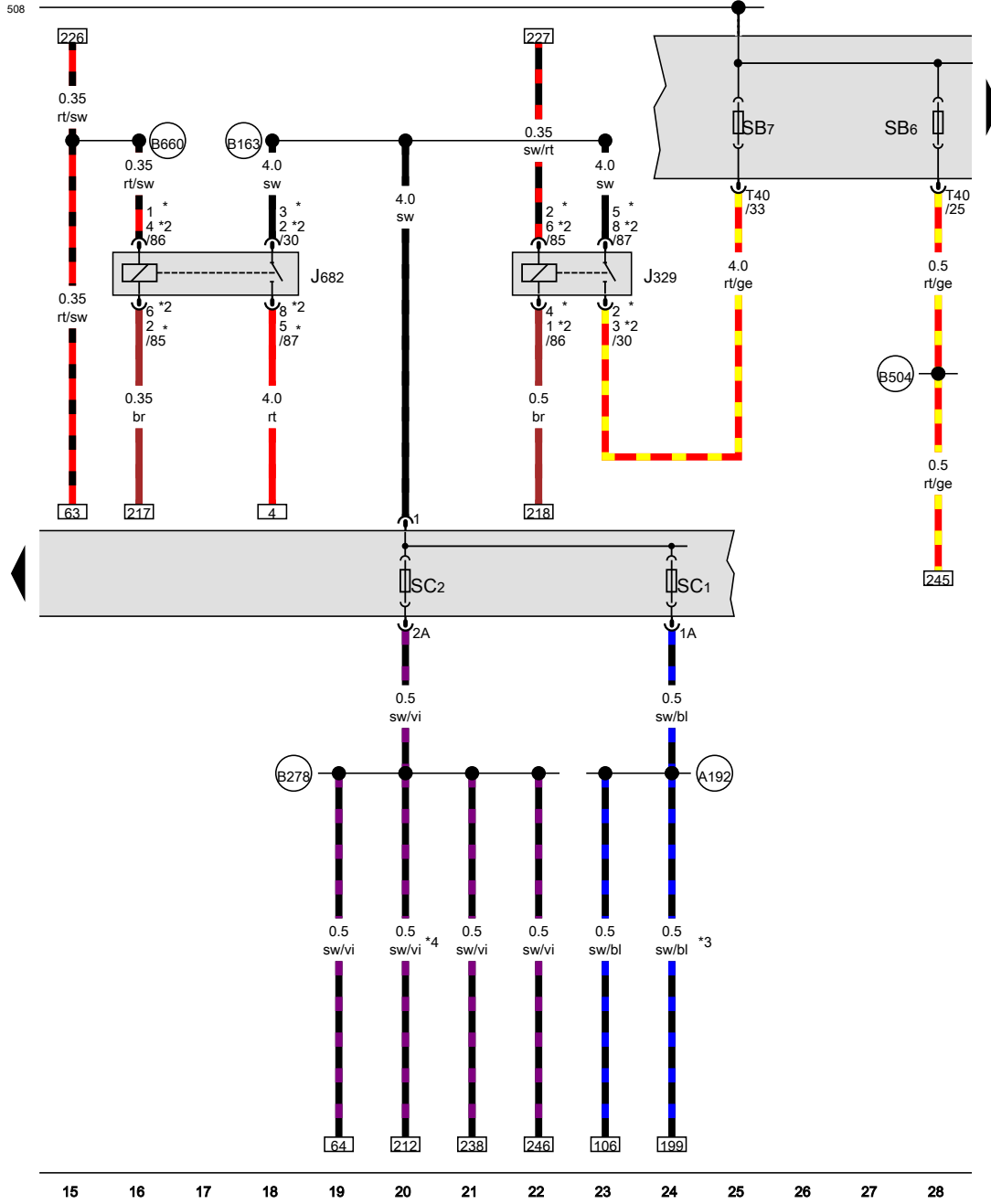
Battery, Starter, Generator, Fuse 1 (on fuse panel A), Fuse 5 (on fuse panel A), Fuse 27 (on fuse panel C)

- A Battery
- B Starter
- C Generator
- C1 Voltage regulator
- SA1 Fuse 1 (on fuse panel A)
- SA5 Fuse 5 (on fuse panel A)
- SC27 Fuse 27 (on fuse panel C)
- T2 2-pin connector
- T2c 2-pin connector, near the starter
- T4t 4-pin connector, near the starter

- 1 Ground strap, battery to body
- 14 Ground connection on transmission
- 508 Terminal 30 threaded connection (on E-box)
- 652 Transmission/engine ground connection
- B169 Positive connection 1 (30) (in interior wiring harness)
- B177 Connection 61 (in interior wiring harness)
- D110 Connection 8 (in engine compartment wiring harness)
- \* Only for vehicles with A/C system
- \*2 Only for vehicles without an A/C system

- ws = white
- sw = black
- ro = red
- rt = red
- br = brown
- gn = green
- bl = blue
- gr = grey
- li = lilac
- vi = lilac
- ge = yellow
- or = orange
- rs = pink

1FK1-067020915



Terminal 15 power supply relay, Terminal 50 power supply relay, Fuse 1 (on fuse panel C), Fuse 2 (on fuse panel C)

- J329 Terminal 15 power supply relay
- J682 Terminal 50 power supply relay
- SC1 Fuse 1 (on fuse panel C)
- SC2 Fuse 2 (on fuse panel C)
- SB6 Fuse 6 (on fuse panel B)
- SB7 Fuse 7 (on fuse panel B)
- T40 40-pin connector

- 508 Terminal 30 threaded connection (on E-box)
- A192 Positive connection 3 (15a) (in instrument panel wiring harness)
- B163 Positive connection 1 (15) (in interior wiring harness)
- B278 Positive connection 2 (15a) (in main wiring harness)
- B504 Positive connection 8 (30a) (in interior wiring harness)
- B660 Diagnostic terminal 50 connection (in main wiring harness)
- \* from November 2009
- \*2 Through October 2009
- \*3 Only for vehicles with crankcase ventilation heater
- \*4 Through November 2011

- ws = white
- sw = black
- ro = red
- rt = red
- br = brown
- gn = green
- bl = blue
- gr = grey
- li = lilac
- vi = lilac
- ge = yellow
- or = orange
- rs = pink

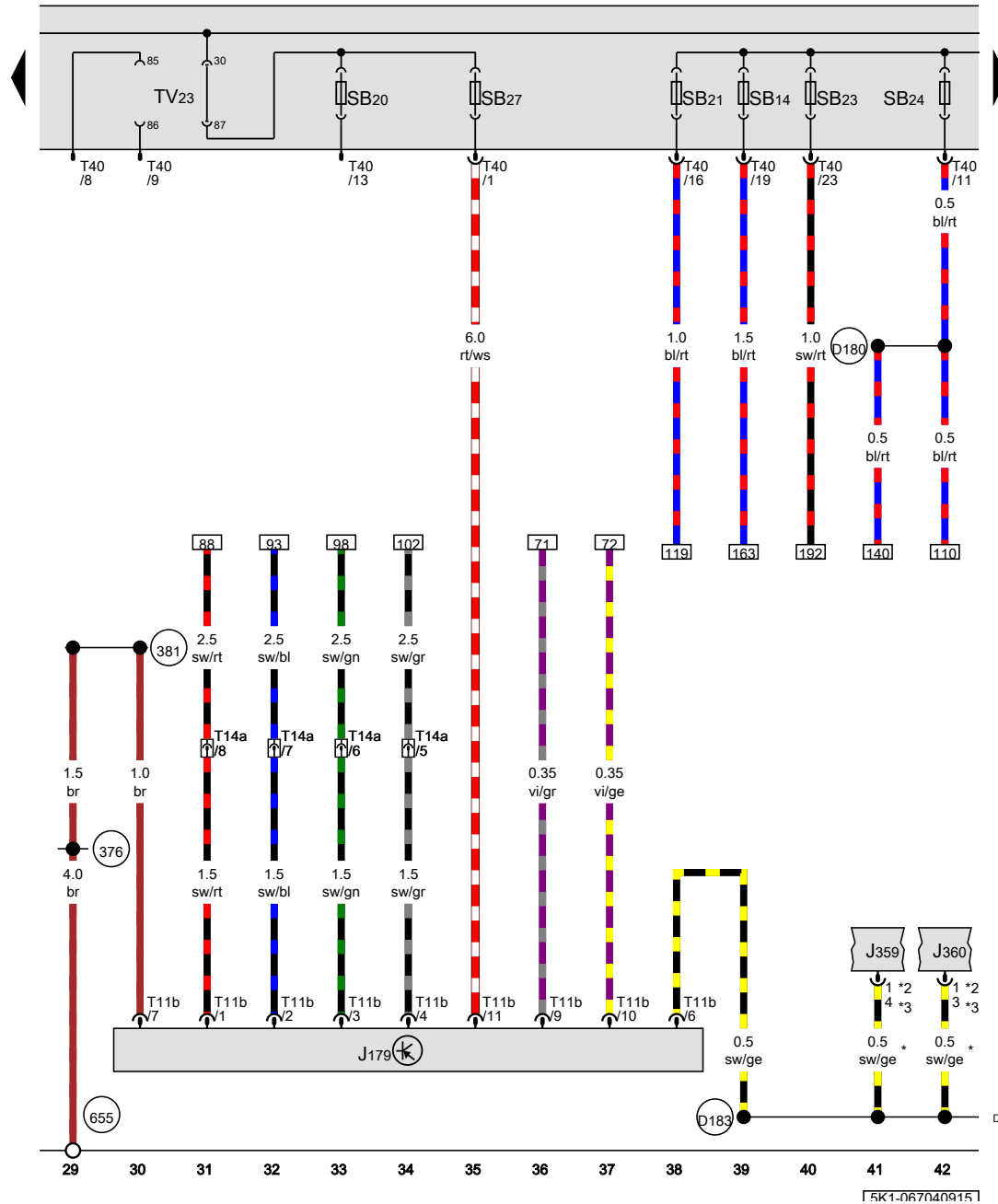
15K1-067030915

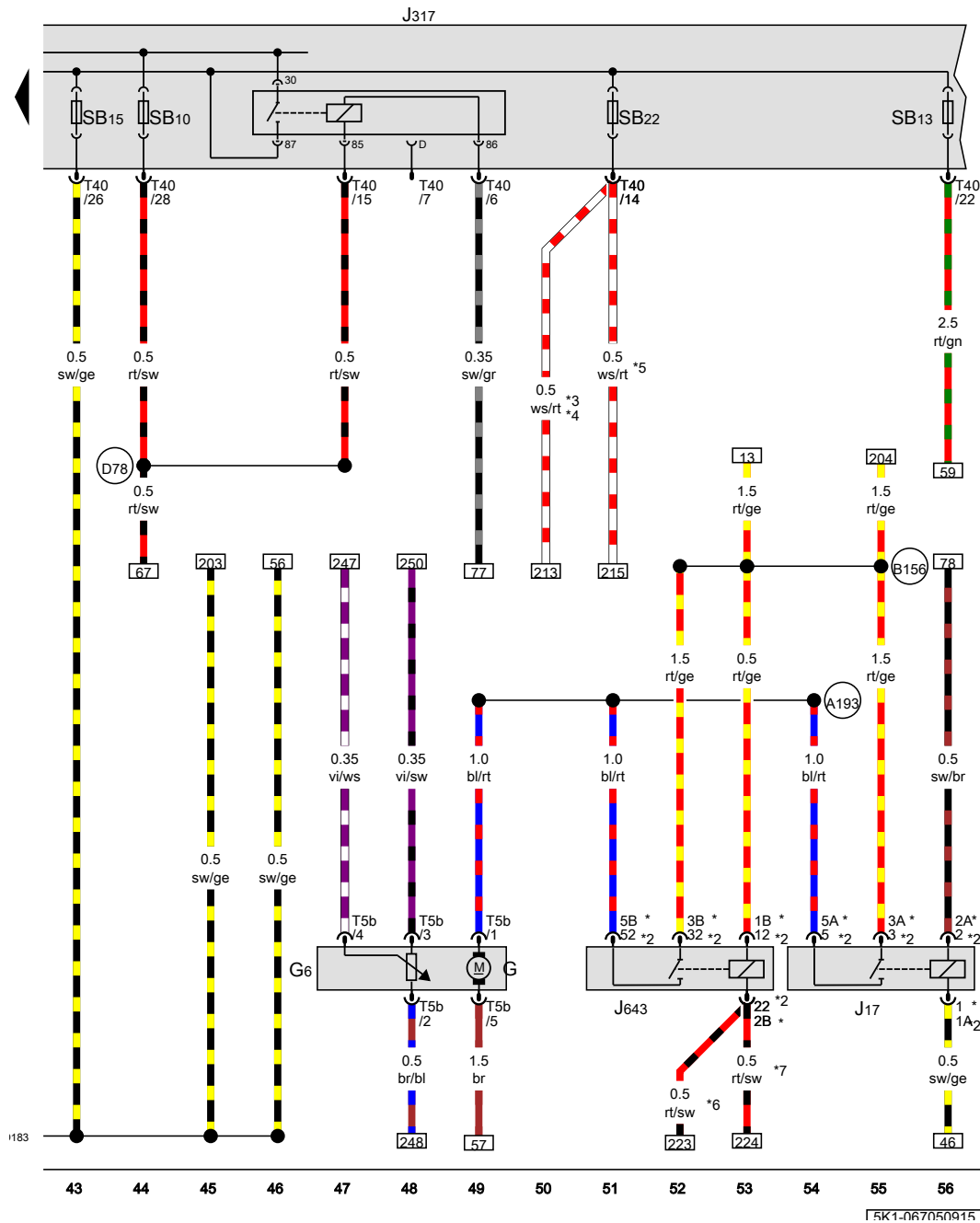
Automatic glow time control module, Connection bridge

- J179 Automatic glow time control module, under the E-box, left
- J359 Low heat output relay
- J360 High heat output relay
- SB14 Fuse 14 (on fuse panel B)
- SB20 Fuse 20 (on fuse panel B)
- SB21 Fuse 21 (on fuse panel B)
- SB23 Fuse 23 (on fuse panel B)
- SB24 Fuse 24 (on fuse panel B)
- SB27 Fuse 27 (on fuse panel B)
- T11b 11-pin connector
- T14a 14-pin connector, near the battery
- TV23 Connection bridge
- T40 40-pin connector

- 376 Ground connection 11 (in main wiring harness)
- 381 Ground connection 16 (in main wiring harness)
- 655 Ground connection on left headlamp
- D180 Connection 87a (in engine compartment wiring harness)
- D183 Connection 4 (87a) (in engine compartment wiring harness)
- \* Only for vehicles with auxiliary heater
- \*2 from November 2009
- \*3 Through October 2009

- ws = white
- sw = black
- ro = red
- rt = red
- br = brown
- gn = green
- bl = blue
- gr = grey
- li = lilac
- vi = lilac
- ge = yellow
- or = orange
- rs = pink





Fuel level sensor, Transfer fuel pump, Fuel pump relay, Terminal 30 power supply relay, Fuel primer relay

- G Fuel level sensor
- G6 Transfer fuel pump
- J17 Fuel pump relay
- J317 Terminal 30 power supply relay
- J643 Fuel primer relay
- SB10 Fuse 10 (on fuse panel B)
- SB13 Fuse 13 (on fuse panel B)
- SB15 Fuse 15 (on fuse panel B)
- SB22 Fuse 22 (on fuse panel B)
- T5b 5-pin connector
- T40 40-pin connector

- (A193) Connection 87a (in instrument panel wiring harness)
- (B156) Positive connection (30a) (in interior wiring harness)
- (D78) Positive connection 1 (30a) (in engine compartment wiring harness)
- (D183) Connection 4 (87a) (in engine compartment wiring harness)

- \* from November 2009
- \*2 Through October 2009
- \*3 Only for vehicles with automatic transmission
- \*4 from November 2010
- \*5 Only for vehicles with a manual transmission
- \*6 from May 2010
- \*7 through April 2010

- ws = white
- sw = black
- ro = red
- rt = red
- br = brown
- gn = green
- bl = blue
- gr = grey
- li = lilac
- vi = lilac
- ge = yellow
- or = orange
- rs = pink

1183

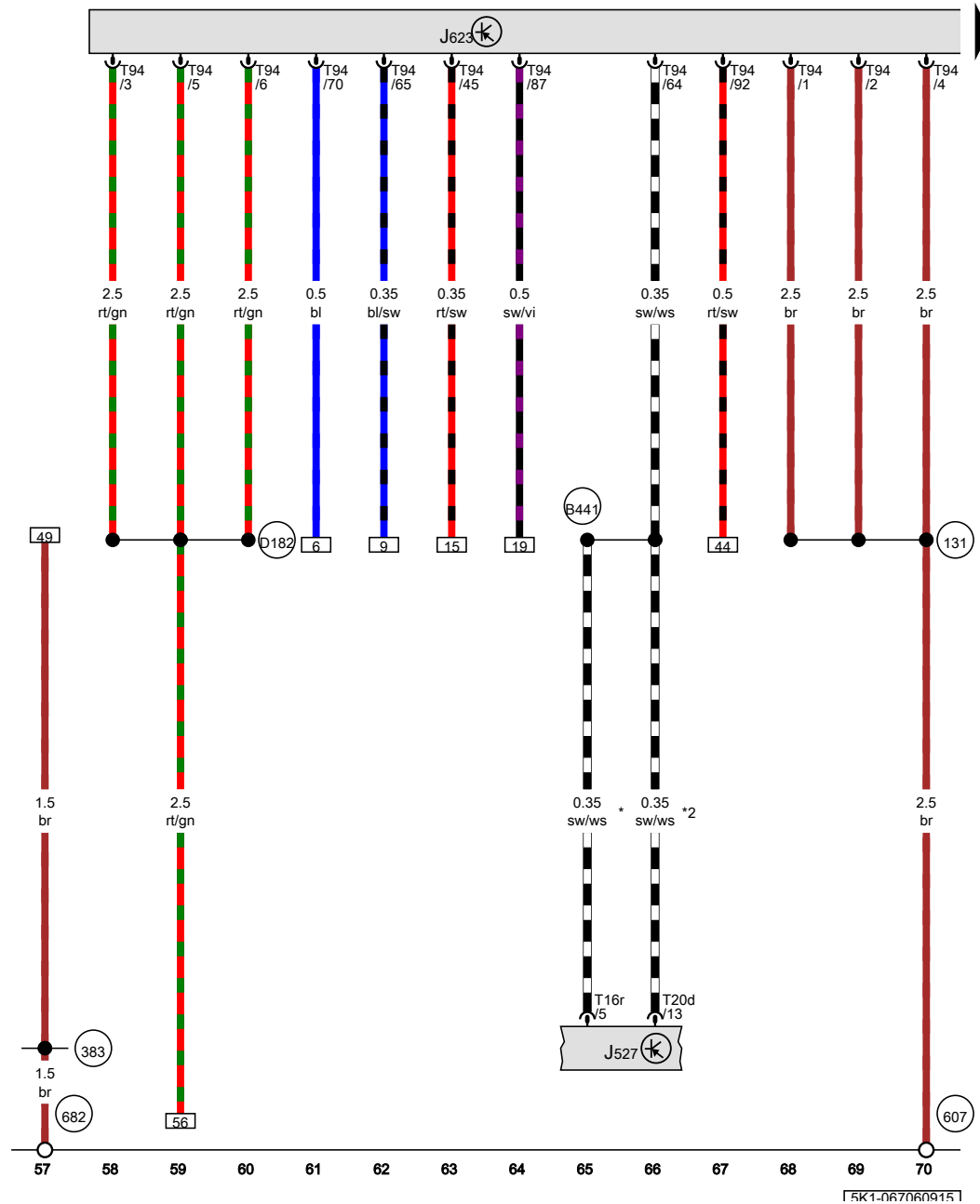
15K1-067050915

Engine control module

- J527 Steering column electronics control module
- J623 Engine control module, in the center plenum chamber
- T16r 16-pin connector
- T20d 20-pin connector
- T94 94-pin connector

- 131 Ground connection 2 (in engine compartment wiring harness)
- 383 Ground connection 18 (in main wiring harness)
- 607 Ground connection in plenum chamber, left
- 682 Ground connection 2 in right rear side panel
- B441 Cruise control connection (in main wiring harness)
- D182 Connection 3 (87a) (in engine compartment wiring harness)

\* from May 2010  
 \*2 through April 2010

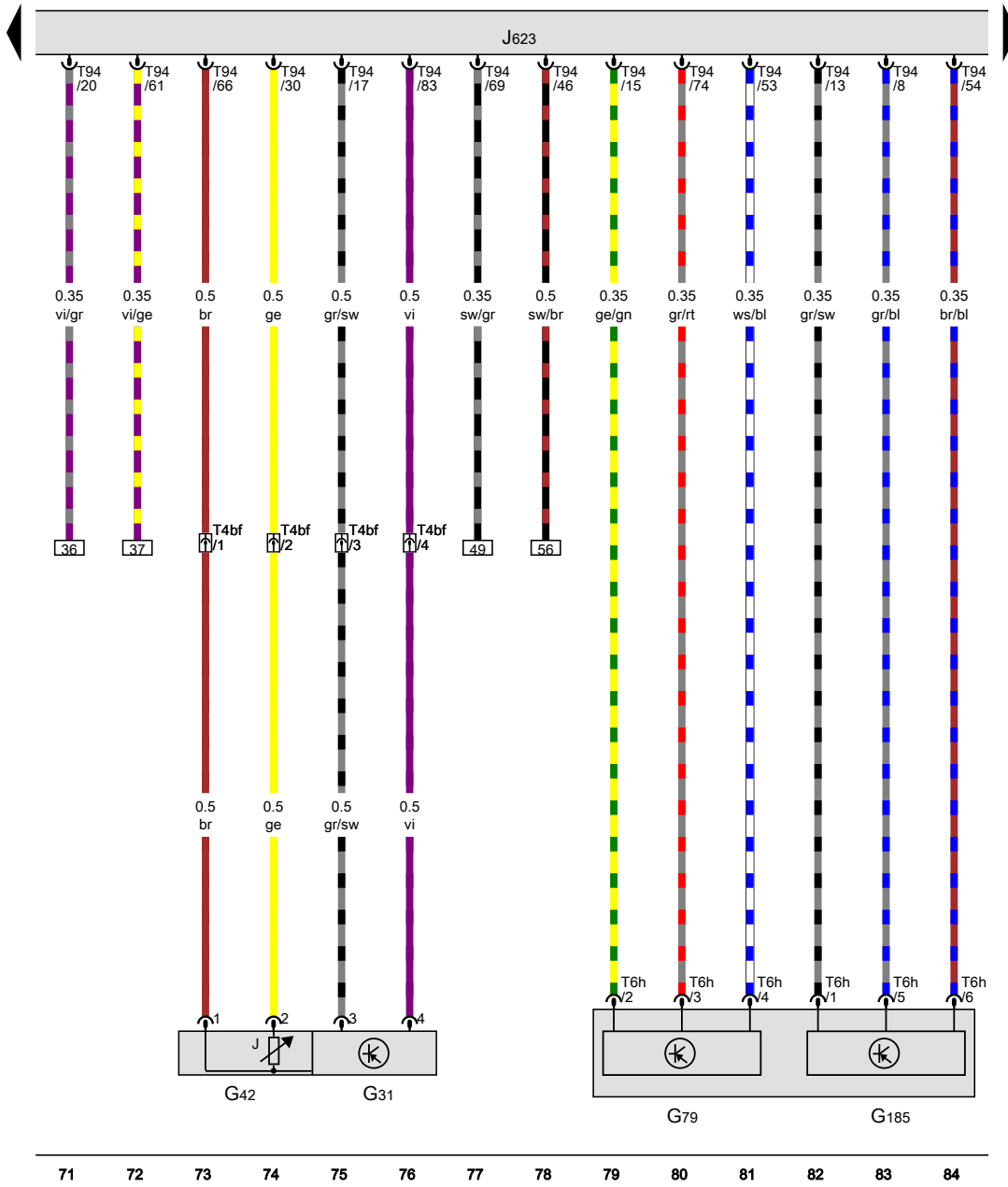


- ws = white
- sw = black
- ro = red
- rt = red
- br = brown
- gn = green
- bl = blue
- gr = grey
- li = lilac
- vi = lilac
- ge = yellow
- or = orange
- rs = pink

15K1-0670609151

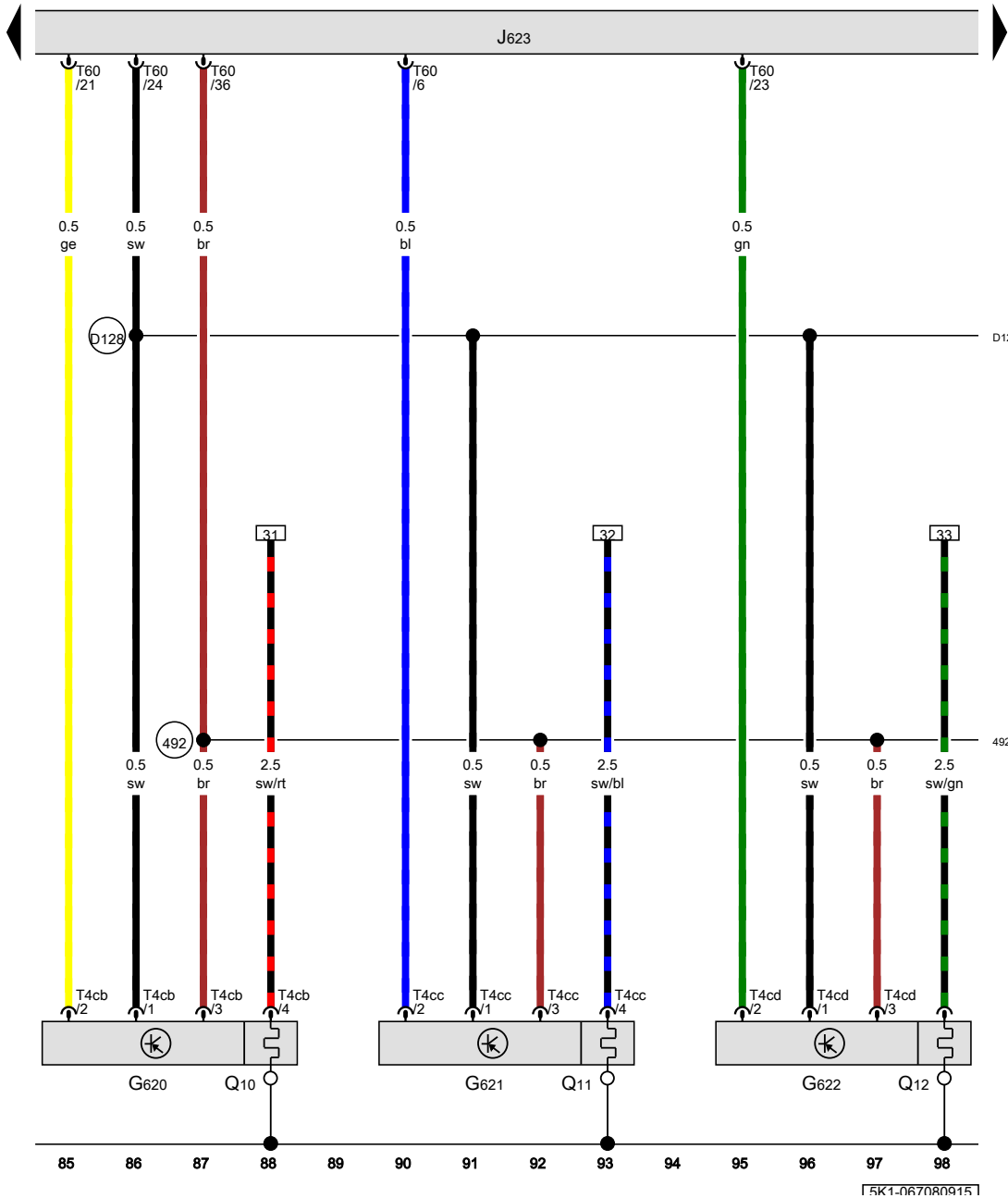
Charge air pressure sensor, Intake air temperature sensor, Accelerator pedal position sensor, Accelerator pedal position sensor 2, Engine control module

- G31 Charge air pressure sensor
- G42 Intake air temperature sensor
- G79 Accelerator pedal position sensor
- G185 Accelerator pedal position sensor 2
- J623 Engine control module, in the center plenum chamber
- T4bf 4-pin connector, near the starter
- T6h 6-pin connector
- T94 94-pin connector



- ws = white
- sw = black
- ro = red
- rt = red
- br = brown
- gn = green
- bl = blue
- gr = grey
- li = lilac
- vi = lilac
- ge = yellow
- or = orange
- rs = pink





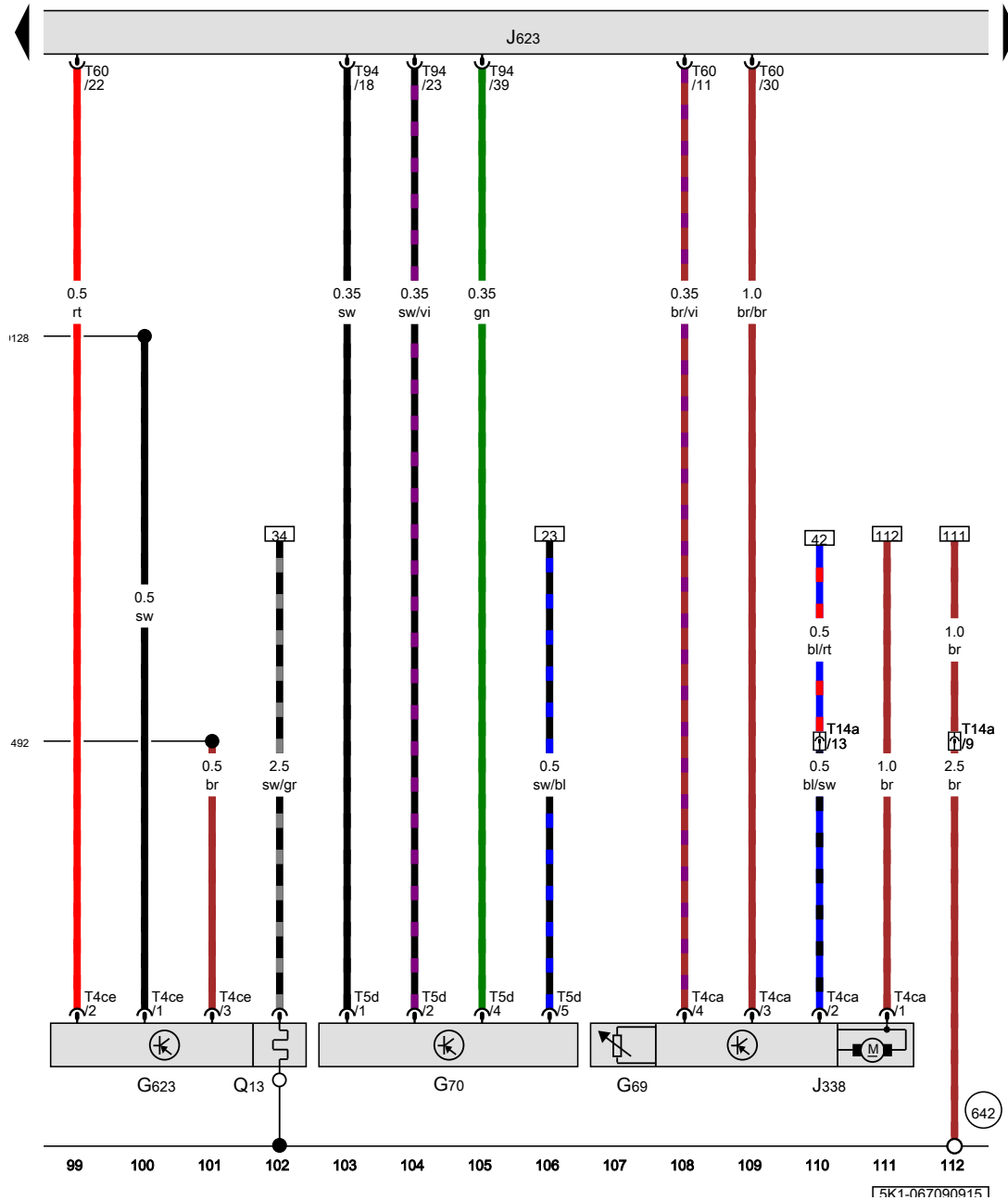
Cylinder 1 internal pressure sensor, Cylinder 2 internal pressure sensor, Cylinder 3 internal pressure sensor, Engine control module, Glow plug 1, Glow plug 2, Glow plug 3

- G620 Cylinder 1 internal pressure sensor
- G621 Cylinder 2 internal pressure sensor
- G622 Cylinder 3 internal pressure sensor
- J623 Engine control module, in the center plenum chamber
- Q10 Glow plug 1
- Q11 Glow plug 2
- Q12 Glow plug 3
- T4cb 4-pin connector
- T4cc 4-pin connector
- T4cd 4-pin connector
- T60 60-pin connector

- (492) Sensor ground connection 2 (in fuel injection system wiring harness)
- (D128) Connection 26 (in engine compartment wiring harness)

- ws = white
- sw = black
- ro = red
- rt = red
- br = brown
- gn = green
- bl = blue
- gr = grey
- li = lilac
- vi = lilac
- ge = yellow
- or = orange
- rs = pink

15K1-0670809151



**Throttle position sensor, Mass airflow sensor, Cylinder 4 internal pressure sensor, Throttle valve control module, Engine control module, Glow plug 4**

- G69 Throttle position sensor
- G70 Mass airflow sensor
- G623 Cylinder 4 internal pressure sensor
- J338 Throttle valve control module
- J623 Engine control module, in the center plenum chamber
- Q13 Glow plug 4
- T4ca 4-pin connector
- T4ce 4-pin connector
- T5d 5-pin connector
- T14a 14-pin connector, near the battery
- T60 60-pin connector
- T94 94-pin connector

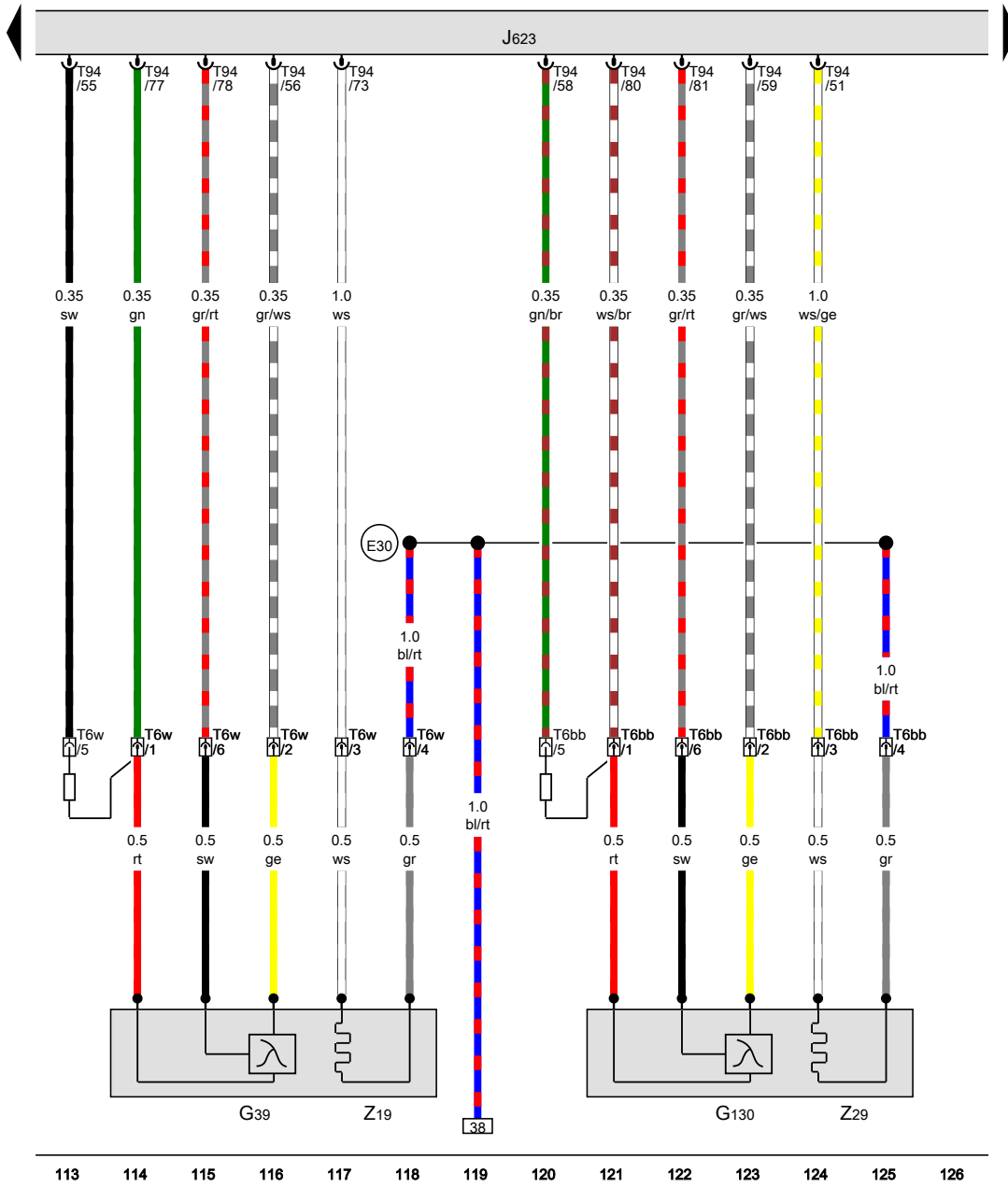
- 492 Sensor ground connection 2 (in fuel injection system wiring harness)
- 642 Electronic fan control ground connection
- D128 Connection 26 (in engine compartment wiring harness)

- ws = white
- sw = black
- ro = red
- rt = red
- br = brown
- gn = green
- bl = blue
- gr = grey
- li = lilac
- vi = lilac
- ge = yellow
- or = orange
- rs = pink

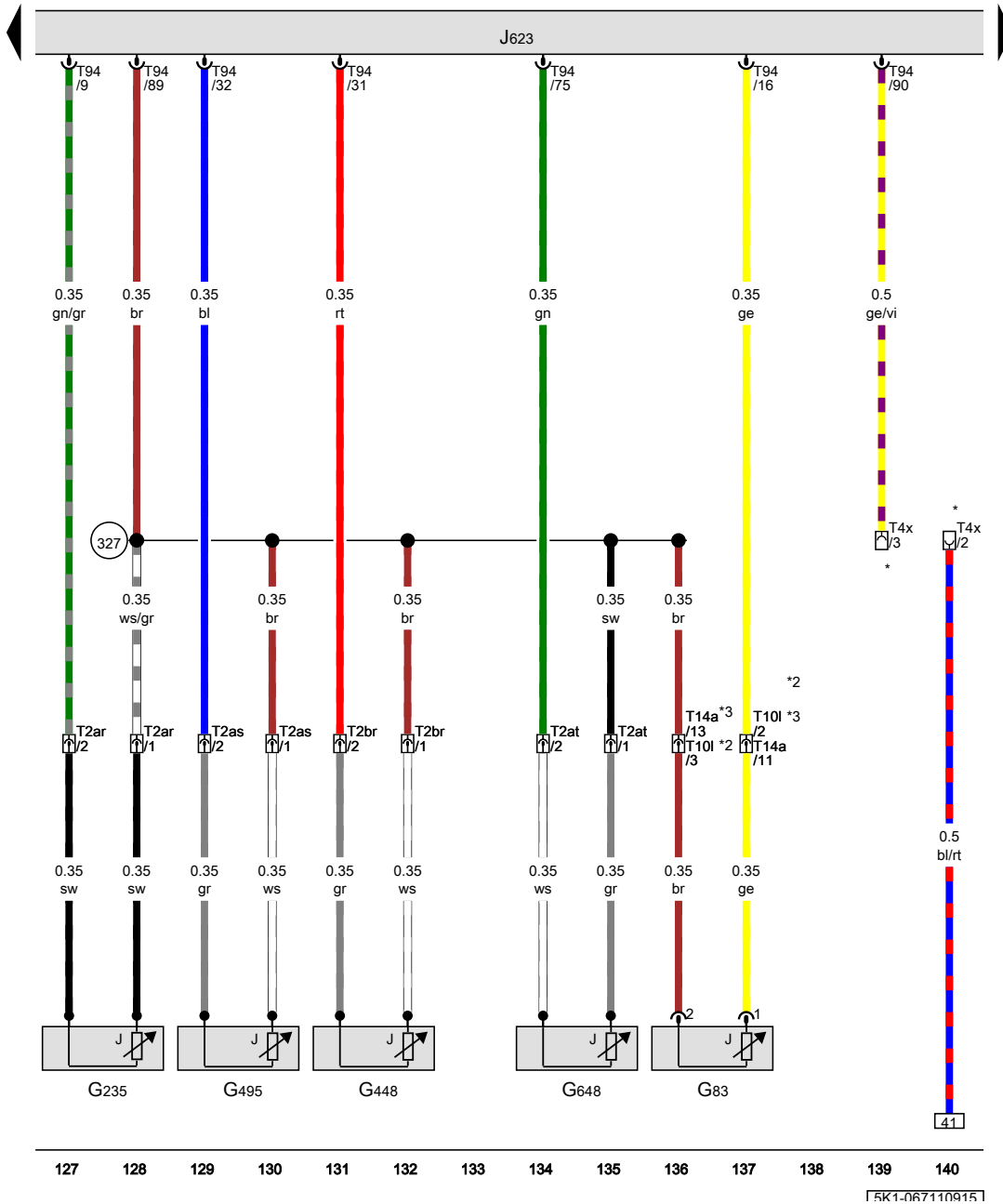
15K1-0670909151

Heated oxygen sensor, Oxygen sensor after catalytic converter, Engine control module

- G39 Heated oxygen sensor
- G130 Oxygen sensor after catalytic converter
- J623 Engine control module, in the center plenum chamber
- T6bb 6-pin connector, near the oxygen sensor
- T6w 6-pin connector, in the engine compartment, rear
- T94 94-pin connector
- Z19 Oxygen sensor heater
- Z29 Heater for oxygen sensor 1 after catalytic converter
- (E30) Connection 87a (in engine wiring harness)



- ws = white
- sw = black
- ro = red
- rt = red
- br = brown
- gn = green
- bl = blue
- gr = grey
- li = lilac
- vi = lilac
- ge = yellow
- or = orange
- rs = pink

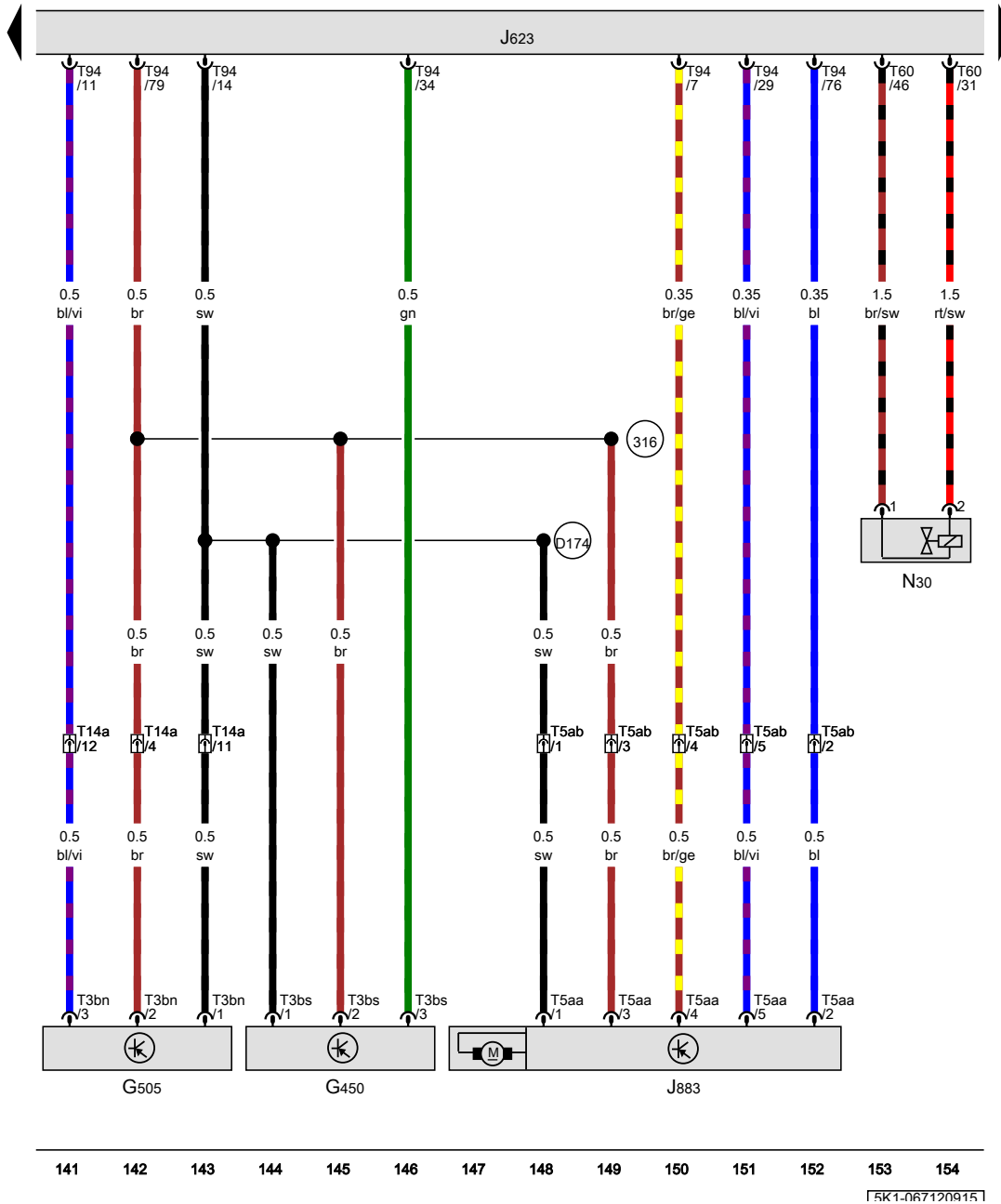


Engine coolant temperature sensor on radiator outlet, Exhaust gas temperature sensor 1, Exhaust gas temperature sensor 2, Exhaust gas temperature sensor 3, Exhaust gas temperature sensor 4, Engine control module

- G83 Engine coolant temperature sensor on radiator outlet
- G235 Exhaust gas temperature sensor 1
- G448 Exhaust gas temperature sensor 2
- G495 Exhaust gas temperature sensor 3
- G648 Exhaust gas temperature sensor 4
- J623 Engine control module, in the center plenum chamber
- T2ar 2-pin connector, in the engine compartment, rear
- T2as 2-pin connector, in the engine compartment, rear
- T2at 2-pin connector, in the engine compartment, rear
- T2br 2-pin connector, in the engine compartment, rear
- T4x 4-pin connector, on the lower left coolant fan
- T10l 10-pin connector, on the lower left coolant fan
- T14a 14-pin connector, near the battery
- T94 94-pin connector
- 327 Sensor ground connection (in engine compartment wiring harness)
- \* Radiator fan connection
- \*2 through April 2011
- \*3 from May 2011

- ws = white
- sw = black
- ro = red
- rt = red
- br = brown
- gn = green
- bl = blue
- gr = grey
- li = lilac
- vi = lilac
- ge = yellow
- or = orange
- rs = pink

Г5К1-067110915



Exhaust pressure sensor 1, Differential pressure sensor, Engine control module, Exhaust door control unit, Cylinder 1 fuel injector

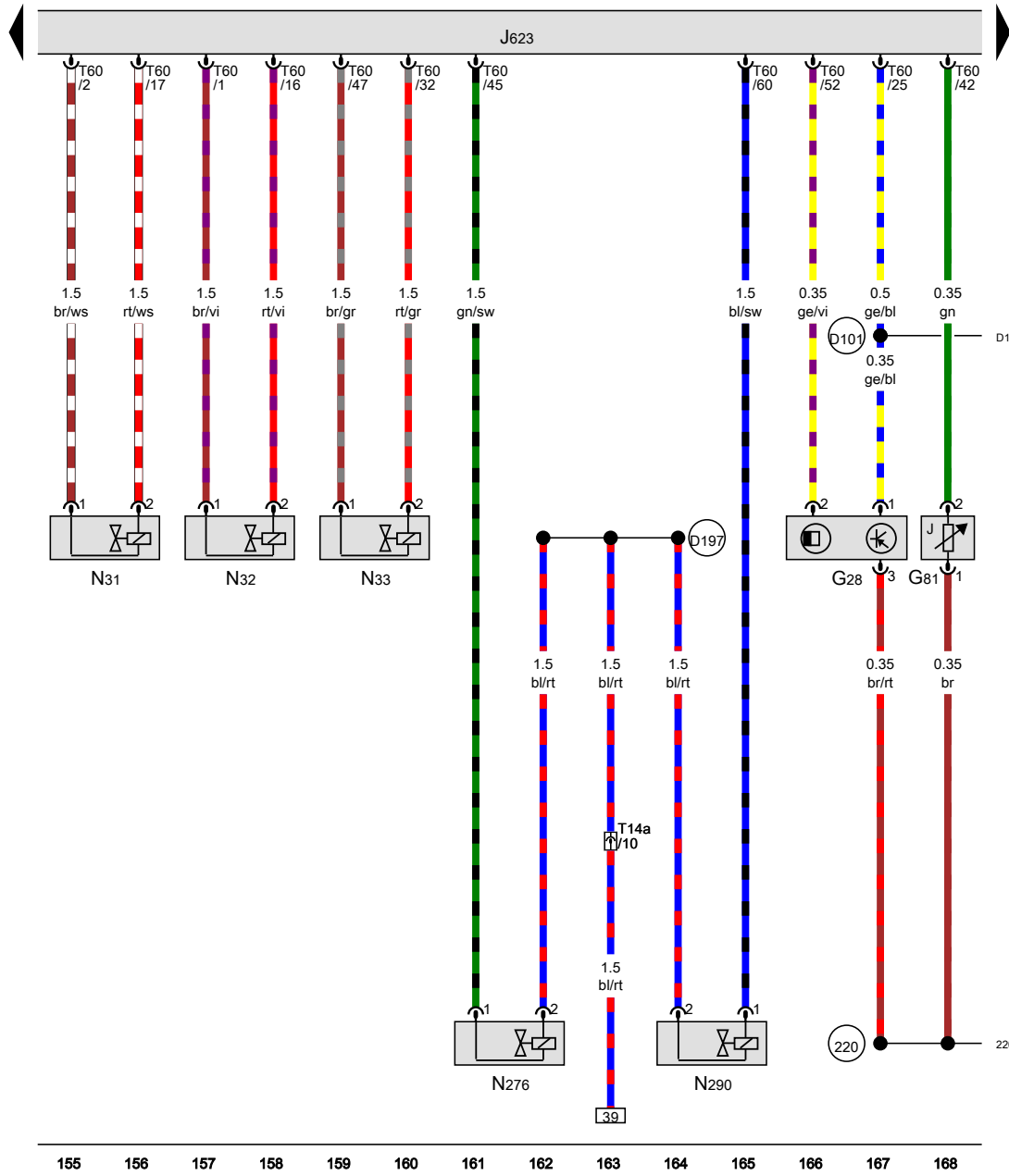
- G450 Exhaust pressure sensor 1
- G505 Differential pressure sensor
- J623 Engine control module, in the center plenum chamber
- J883 Exhaust door control unit
- N30 Cylinder 1 fuel injector
- T3bn 3-pin connector
- T3bs 3-pin connector
- T5aa 5-pin connector
- T5ab 5-pin connector, in the engine compartment, rear
- T14a 14-pin connector, near the battery
- T60 60-pin connector
- T94 94-pin connector

- 316 Sensor ground connection 2 (in engine wiring harness)
- D174 Connection 2 (5V) (in engine pre-wiring harness)

- ws = white
- sw = black
- ro = red
- rt = red
- br = brown
- gn = green
- bl = blue
- gr = grey
- li = lilac
- vi = lilac
- ge = yellow
- or = orange
- rs = pink

141 142 143 144 145 146 147 148 149 150 151 152 153 154

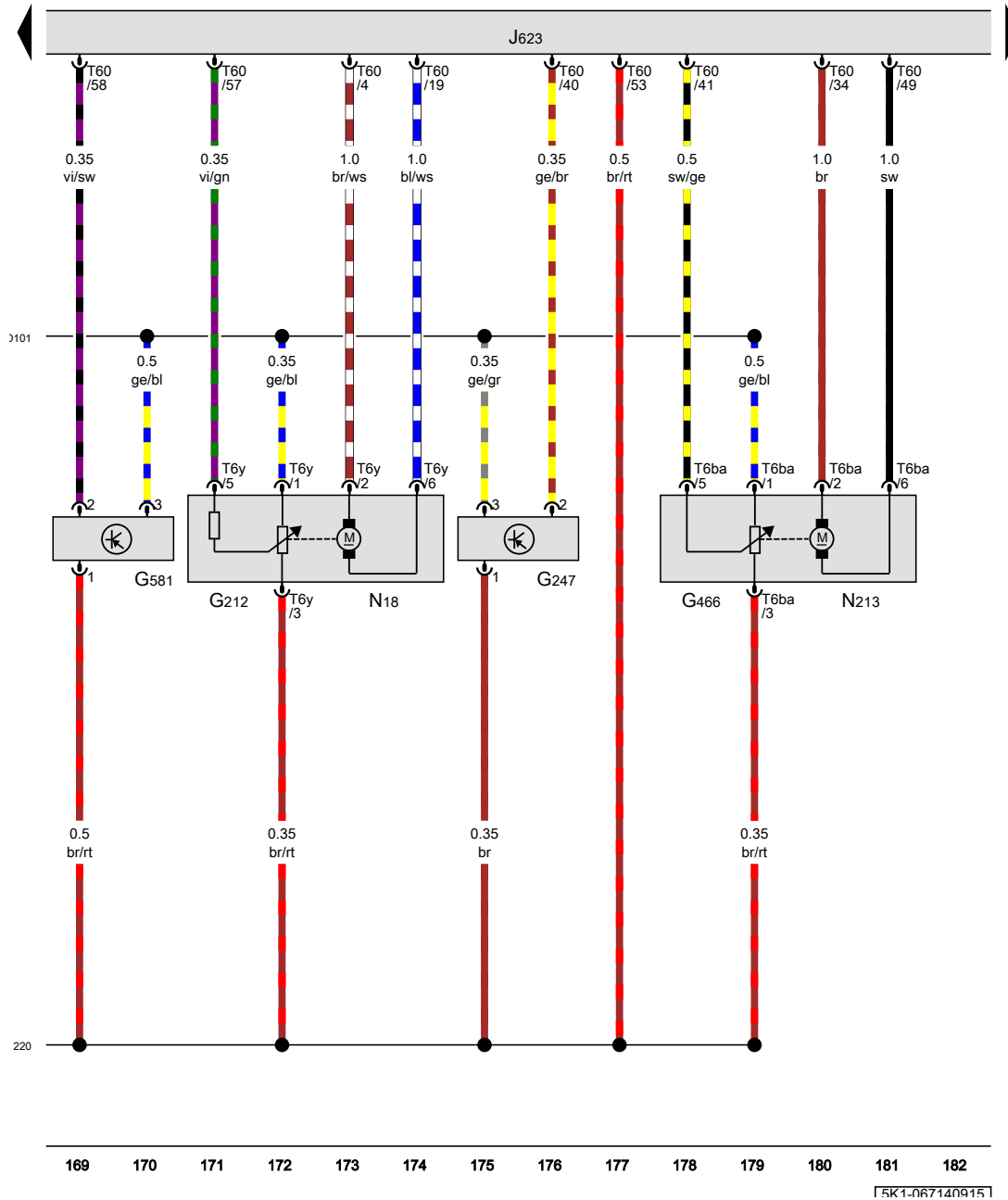
15K1-0671209151



Engine speed sensor, Fuel temperature sensor, Engine control module, Cylinder 2 fuel injector, Cylinder 3 fuel injector, Cylinder 4 fuel injector, Fuel pressure regulator valve, Fuel metering valve

- G28 Engine speed sensor
- G81 Fuel temperature sensor
- J623 Engine control module, in the center plenum chamber
- N31 Cylinder 2 fuel injector
- N32 Cylinder 3 fuel injector
- N33 Cylinder 4 fuel injector
- N276 Fuel pressure regulator valve
- N290 Fuel metering valve
- T14a 14-pin connector, near the battery
- T60 60-pin connector
- 220 Sensor ground connection (in engine wiring harness)
- D101 Connection 1 (in engine compartment wiring harness)
- D197 Connection 5 (87a) (in engine compartment wiring harness)

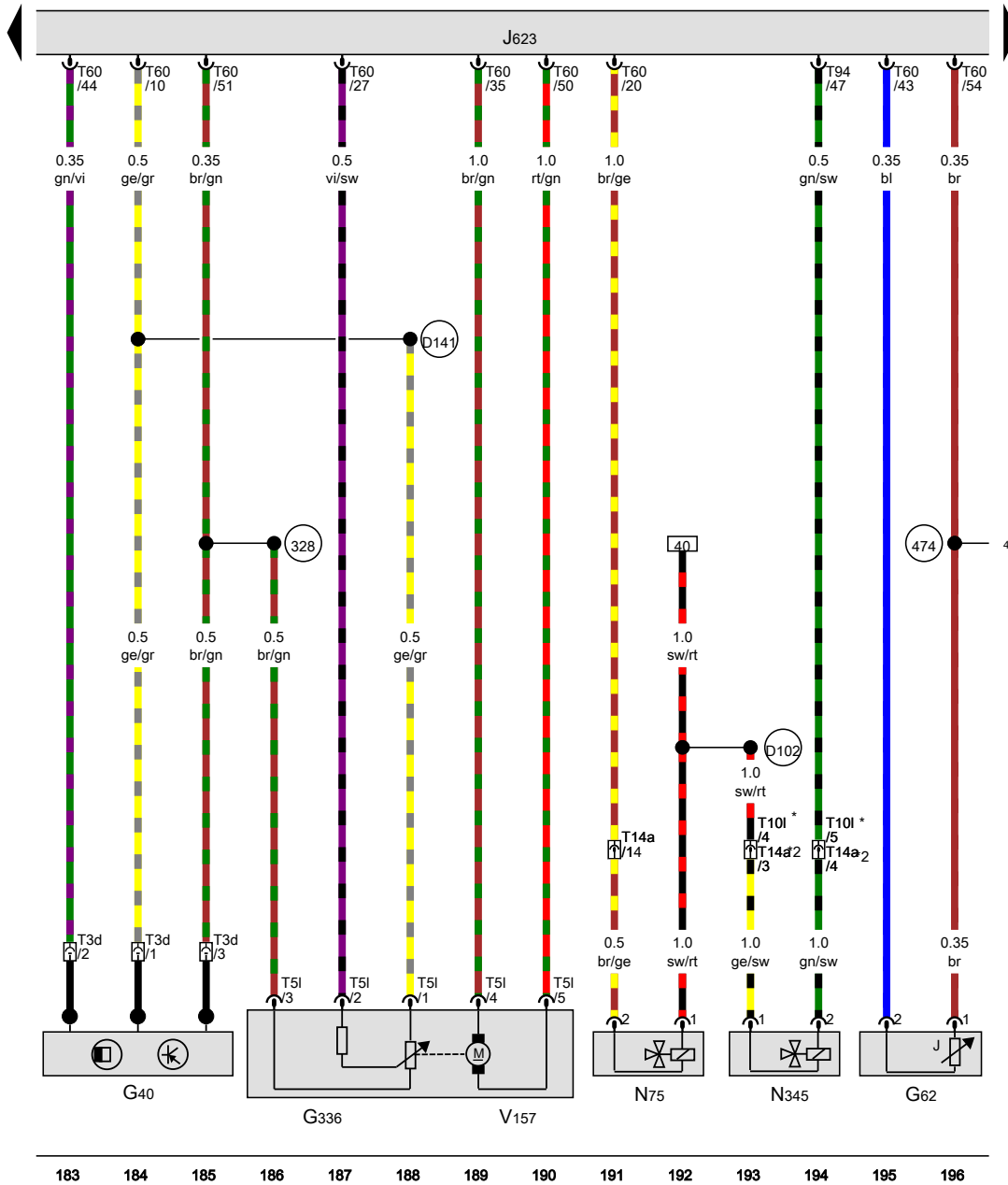
- ws = white
- sw = black
- ro = red
- rt = red
- br = brown
- gn = green
- bl = blue
- gr = grey
- li = lilac
- vi = lilac
- ge = yellow
- or = orange
- rs = pink



EGR potentiometer, Fuel pressure sensor, Exhaust gas recirculation position sensor 2, Charge air pressure actuator position sensor, Engine control module, EGR vacuum regulator solenoid valve, Valve 2 for EGR

- G212 EGR potentiometer
- G247 Fuel pressure sensor
- G466 Exhaust gas recirculation position sensor 2
- G581 Charge air pressure actuator position sensor
- J623 Engine control module, in the center plenum chamber
- N18 EGR vacuum regulator solenoid valve
- N213 Valve 2 for EGR
- T6ba 6-pin connector
- T6y 6-pin connector
- T60 60-pin connector

- 220 Sensor ground connection (in engine wiring harness)
- D101 Connection 1 (in engine compartment wiring harness)



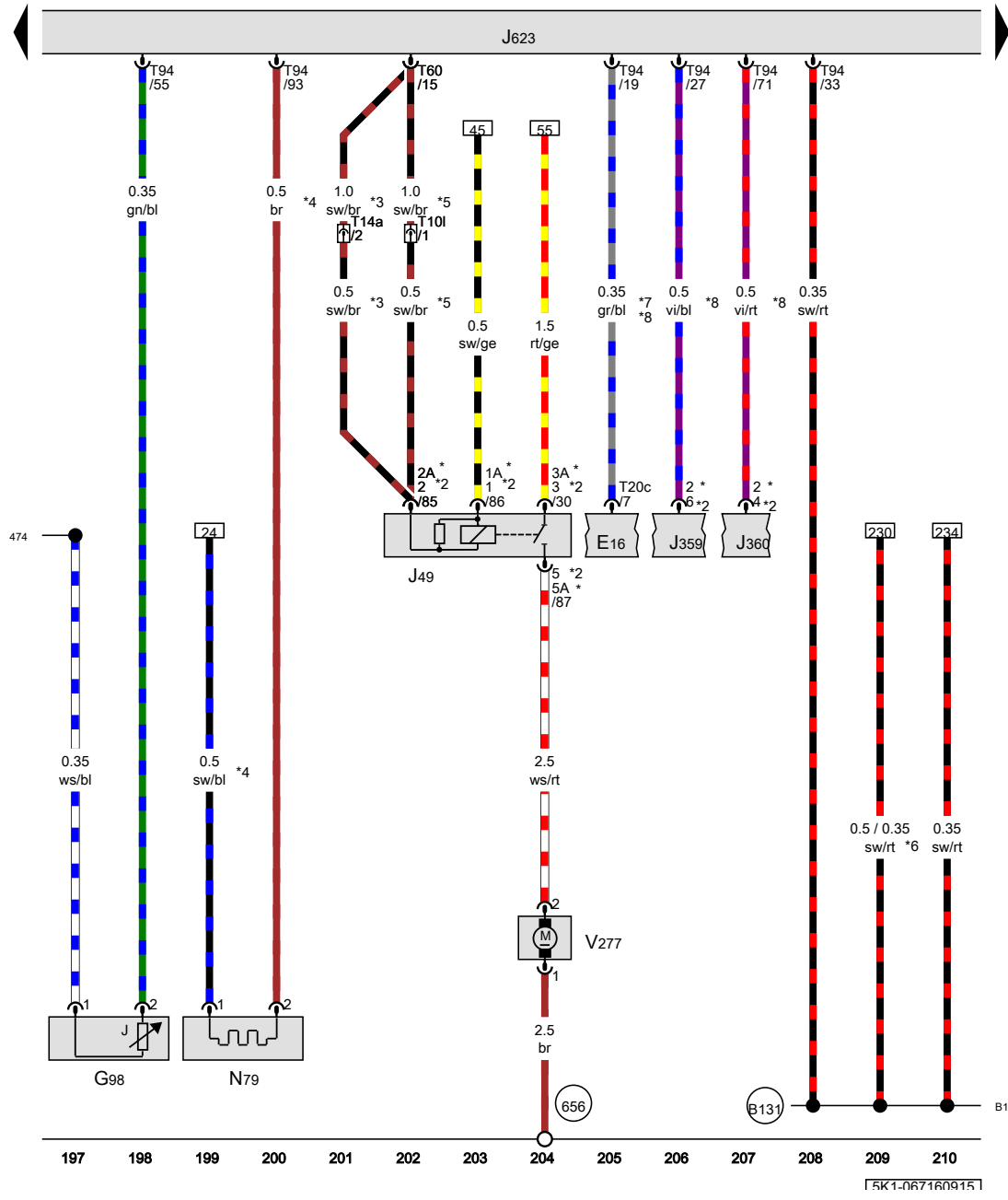
Camshaft position sensor, Engine coolant temperature sensor, Intake manifold runner position sensor, Engine control module, Wastegate bypass regulator valve, EGR cooler switch-over valve, Intake flap motor

- G40 Camshaft position sensor
- G62 Engine coolant temperature sensor
- G336 Intake manifold runner position sensor
- J623 Engine control module, in the center plenum chamber
- N75 Wastegate bypass regulator valve
- N345 EGR cooler switch-over valve
- T3d 3-pin connector, on the engine, front
- T5I 5-pin connector
- T10I 10-pin connector, on the lower left coolant fan
- T14a 14-pin connector, near the battery
- T60 60-pin connector
- T94 94-pin connector
- V157 Intake flap motor
- 328 Sensor ground connection 2 (in engine compartment wiring harness)
- 474 Sensor ground connection (in engine pre-wiring harness)
- D102 Connection 2 (in engine compartment wiring harness)
- D141 Connection 5V (in engine pre-wiring harness)
- \* through April 2011
- \*2 from May 2011

- ws = white
- sw = black
- ro = red
- rt = red
- br = brown
- gn = green
- bl = blue
- gr = grey
- li = lilac
- vi = lilac
- ge = yellow
- or = orange
- rs = pink

15K1-0671509151





EGR temperature sensor, Fuel pump relay 2, Engine control module, Positive crankcase ventilation heating element, Fuel pump 2

- E16 Heater/heat output switch
- G98 EGR temperature sensor
- J49 Fuel pump relay 2
- J359 Low heat output relay
- J360 High heat output relay
- J623 Engine control module, in the center plenum chamber
- N79 Positive crankcase ventilation heating element
- T101 10-pin connector, on the lower left coolant fan
- T14a 14-pin connector, near the battery
- T20c 20-pin connector
- T60 60-pin connector
- T94 94-pin connector
- V277 Fuel pump 2

474 Sensor ground connection (in engine pre-wiring harness)

656 Ground connection on right headlamp

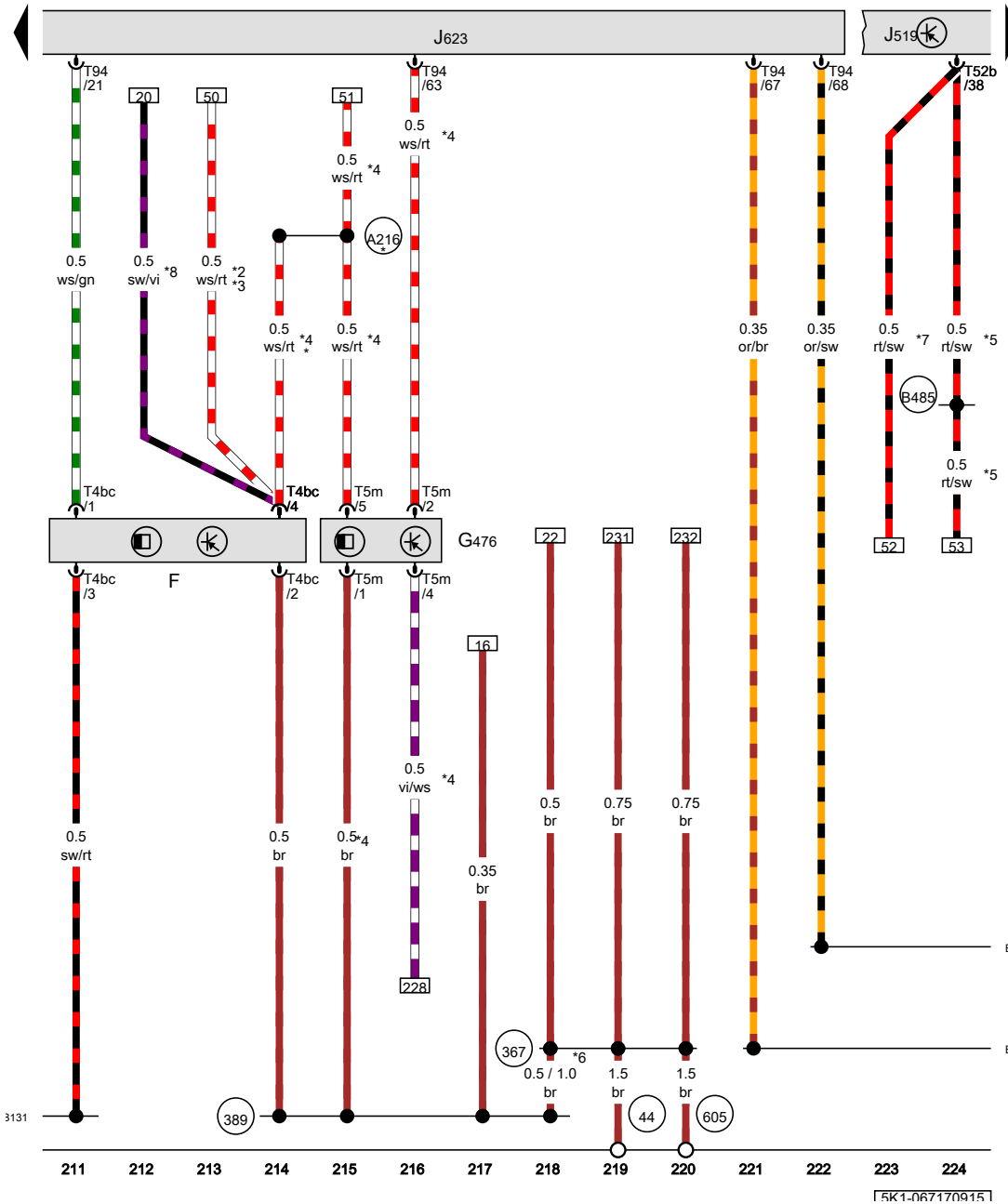
B131 Connection 54 (in interior wiring harness)

- \* from November 2009
- \*2 Through October 2009
- \*3 from May 2011
- \*4 Only for vehicles with crankcase ventilation heater
- \*5 through April 2011
- \*6 from November 2010
- \*7 Only for vehicles without an A/C system
- \*8 Only for vehicles with auxiliary heater

- ws = white
- sw = black
- ro = red
- rt = red
- br = brown
- gn = green
- bl = blue
- gr = grey
- li = lilac
- vi = lilac
- ge = yellow
- or = orange
- rs = pink

15K1-067160915

Brake lamp switch, Clutch position sensor, Engine control module

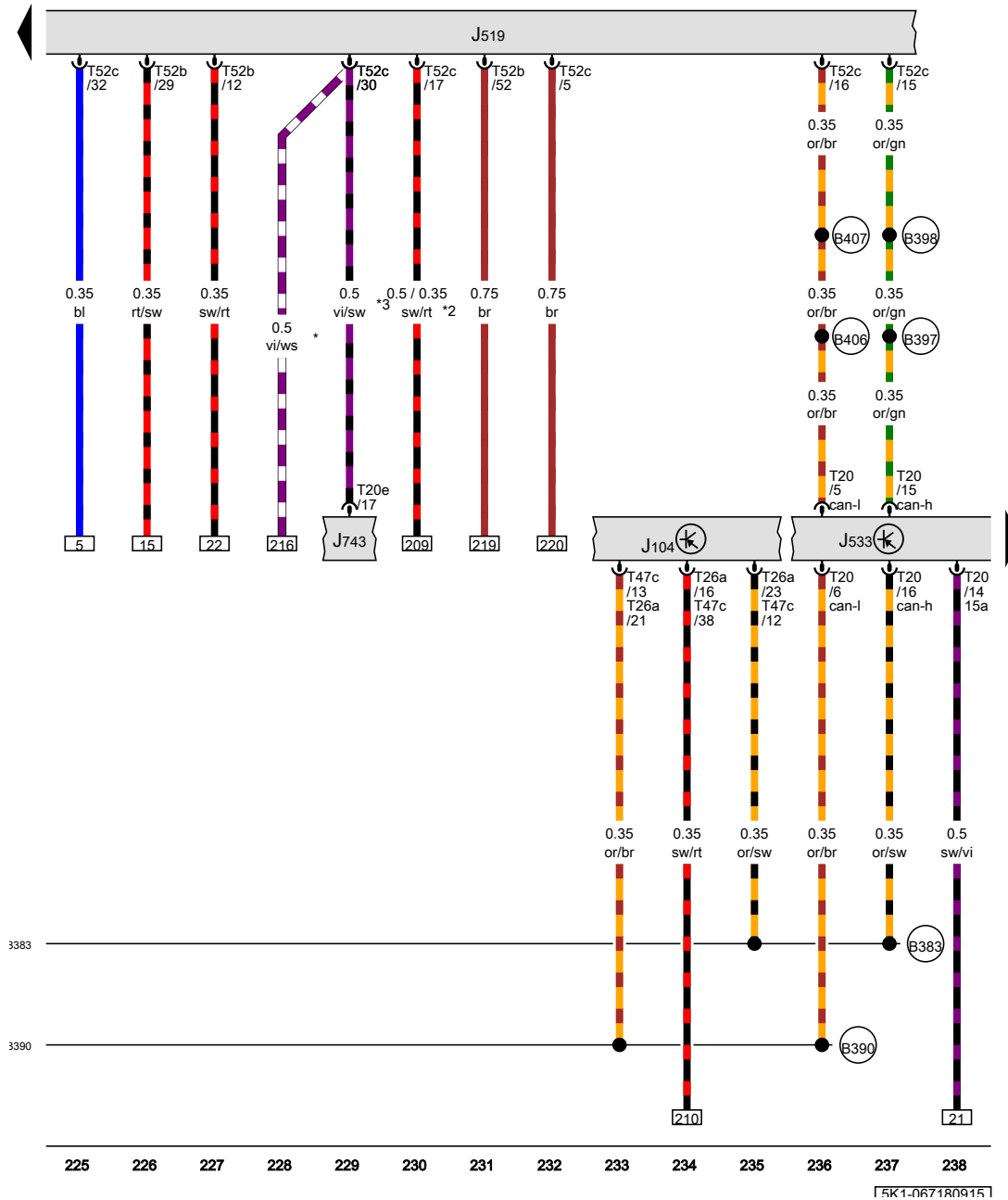


- F Brake lamp switch
- G476 Clutch position sensor
- J519 Vehicle electrical control module system
- J623 Engine control module, in the center plenum chamber
- T4bc 4-pin connector
- T5m 5-pin connector
- T52b 52-pin connector
- T94 94-pin connector

- 44 Ground connection on A-pillar, lower left
- 367 Ground connection 2 (in main wiring harness)
- 389 Ground connection 24 (in main wiring harness)
- 605 Ground connection on upper steering column
- A216 Positive connection 2 (87a) (in instrument panel wiring harness)
- B131 Connection 54 (in interior wiring harness)
- B383 Powertrain CAN bus high connection 1 (in main wiring harness)
- B390 Powertrain CAN bus low connection 1 (in main wiring harness)
- B485 Connection 21 (in main wiring harness)

- \* from November 2011
- \*2 Only for vehicles with automatic transmission
- \*3 from November 2010
- \*4 Only for vehicles with a manual transmission
- \*5 through April 2010
- \*6 from May 2011
- \*7 from May 2010
- \*8 Through November 2011

- ws = white
- sw = black
- ro = red
- rt = red
- br = brown
- gn = green
- bl = blue
- gr = grey
- li = lilac
- vi = lilac
- ge = yellow
- or = orange
- rs = pink



Data bus on board diagnostic interface

- J104 ABS control module
- J519 Vehicle electrical control module system
- J533 Data bus on board diagnostic interface, in the left footwell, near the center console
- J743 DSG transmission Mechatronic
- T20 20-pin connector
- T20e 20-pin connector
- T26a 26-pin connector
- T47c 47-pin connector
- T52b 52-pin connector
- T52c 52-pin connector

**B383** Powertrain CAN bus high connection 1 (in main wiring harness)

**B390** Powertrain CAN bus low connection 1 (in main wiring harness)

**B397** Comfort system CAN bus high connection 1 (in main wiring harness)

**B398** Comfort system CAN bus high connection 2 (in main wiring harness)

**B406** Comfort system CAN bus low connection 1 (in main wiring harness)

**B407** Comfort system CAN bus low connection 2 (in main wiring harness)

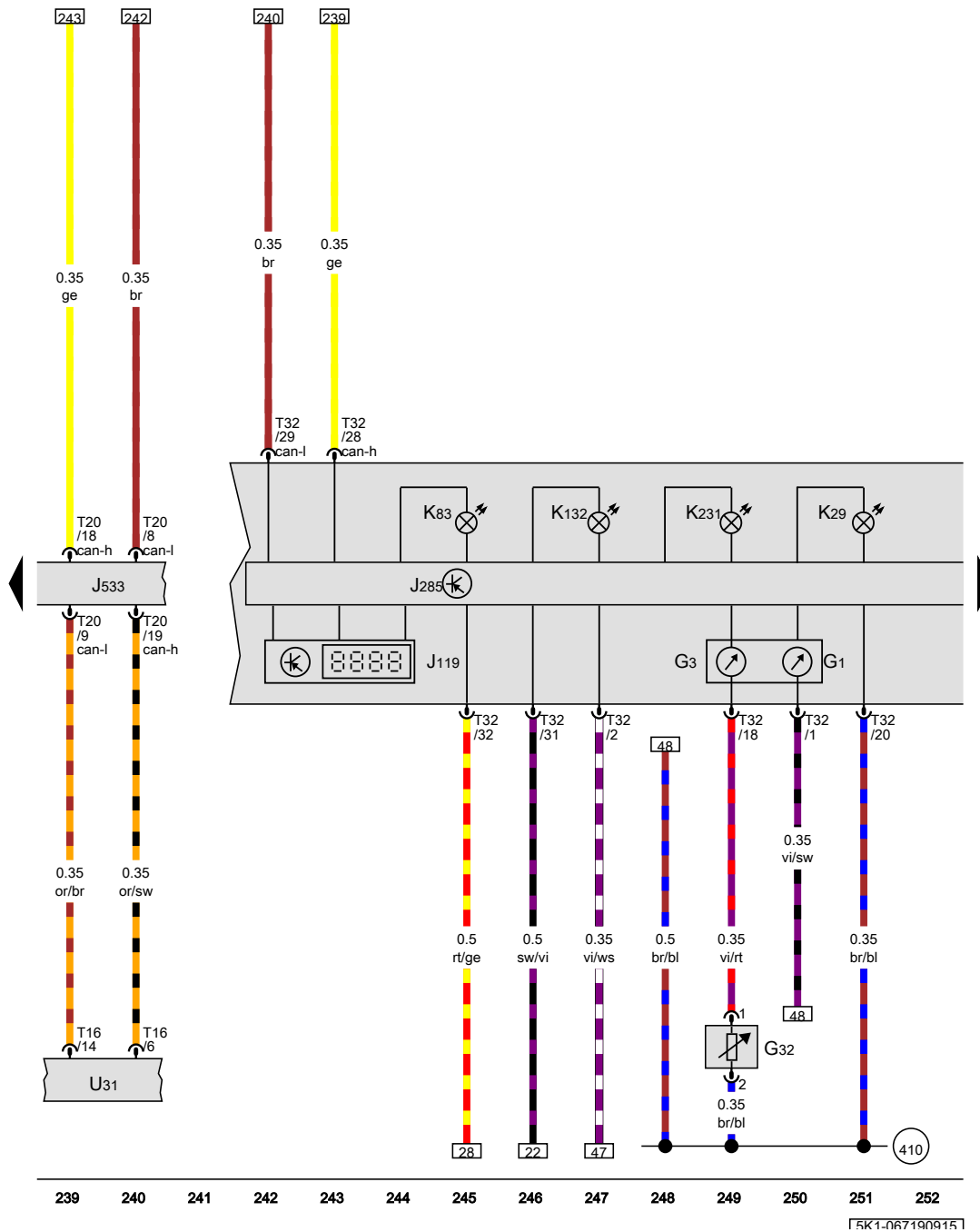
\* Only for vehicles with a manual transmission

\*2 from November 2010

\*3 Only for vehicles with DSG transmission

- ws = white
- sw = black
- ro = red
- rt = red
- br = brown
- gn = green
- bl = blue
- gr = grey
- li = lilac
- vi = lilac
- ge = yellow
- or = orange
- rs = pink

15K1-067180915



Fuel gauge, Engine coolant temperature gauge, Engine coolant level sensor, Multifunction indicator, Instrument cluster control module, Data bus on board diagnostic interface, Glow plug indicator lamp, Diesel particulate filter indicator lamp

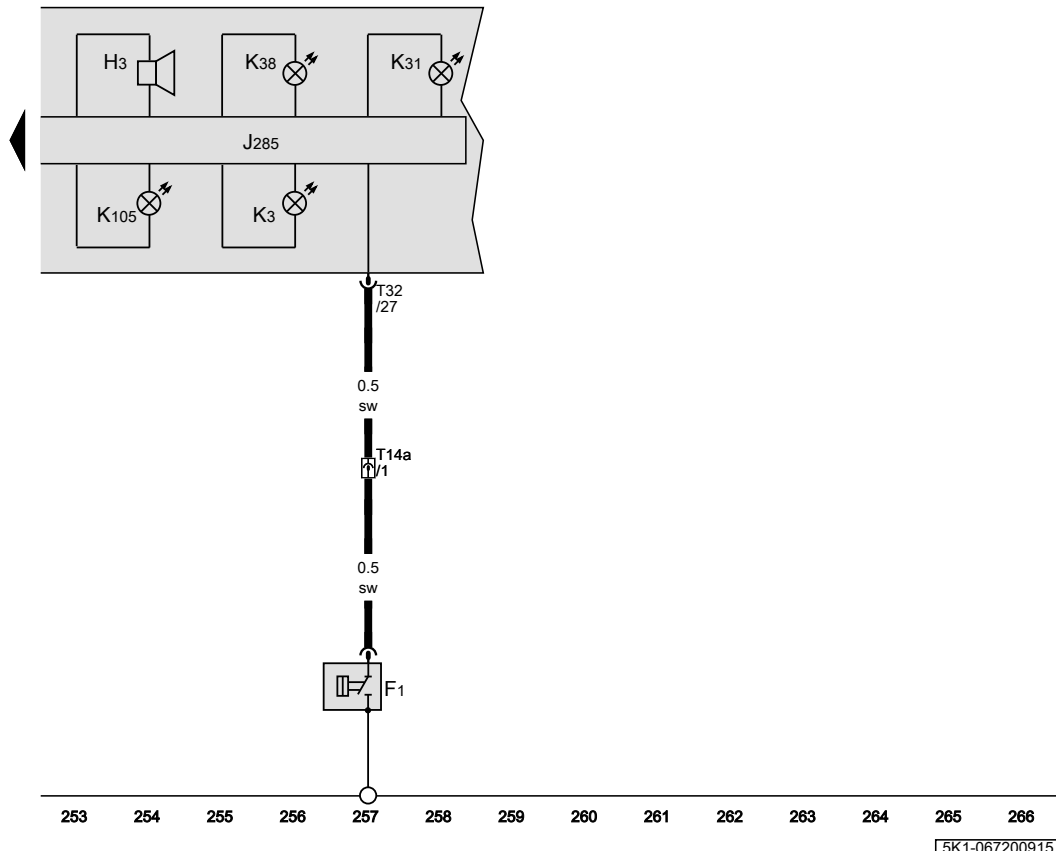
- G1 Fuel gauge
- G3 Engine coolant temperature gauge
- G32 Engine coolant level sensor
- J119 Multifunction indicator
- J285 Instrument cluster control module
- J533 Data bus on board diagnostic interface, in the left footwell, near the center console
- K29 Glow plug indicator lamp
- K83 Malfunction indicator lamp
- K132 Electronic power control malfunction indicator lamp
- K231 Diesel particulate filter indicator lamp
- T16 16-pin connector
- T20 20-pin connector
- T32 32-pin connector
- U31 Diagnostic connection

410 Sensor ground connection 1 (in main wiring harness)

- ws = white
- sw = black
- ro = red
- rt = red
- br = brown
- gn = green
- bl = blue
- gr = grey
- li = lilac
- vi = lilac
- ge = yellow
- or = orange
- rs = pink

Oil pressure switch, Instrument cluster control module

- F1 Oil pressure switch
- H3 Warning buzzer and tone
- J285 Instrument cluster control module
- K3 Oil pressure indicator lamp
- K31 Cruise control indicator lamp
- K38 Oil level indicator lamp
- K105 Low fuel level indicator lamp
- T14a 14-pin connector, near the battery
- T32 32-pin connector

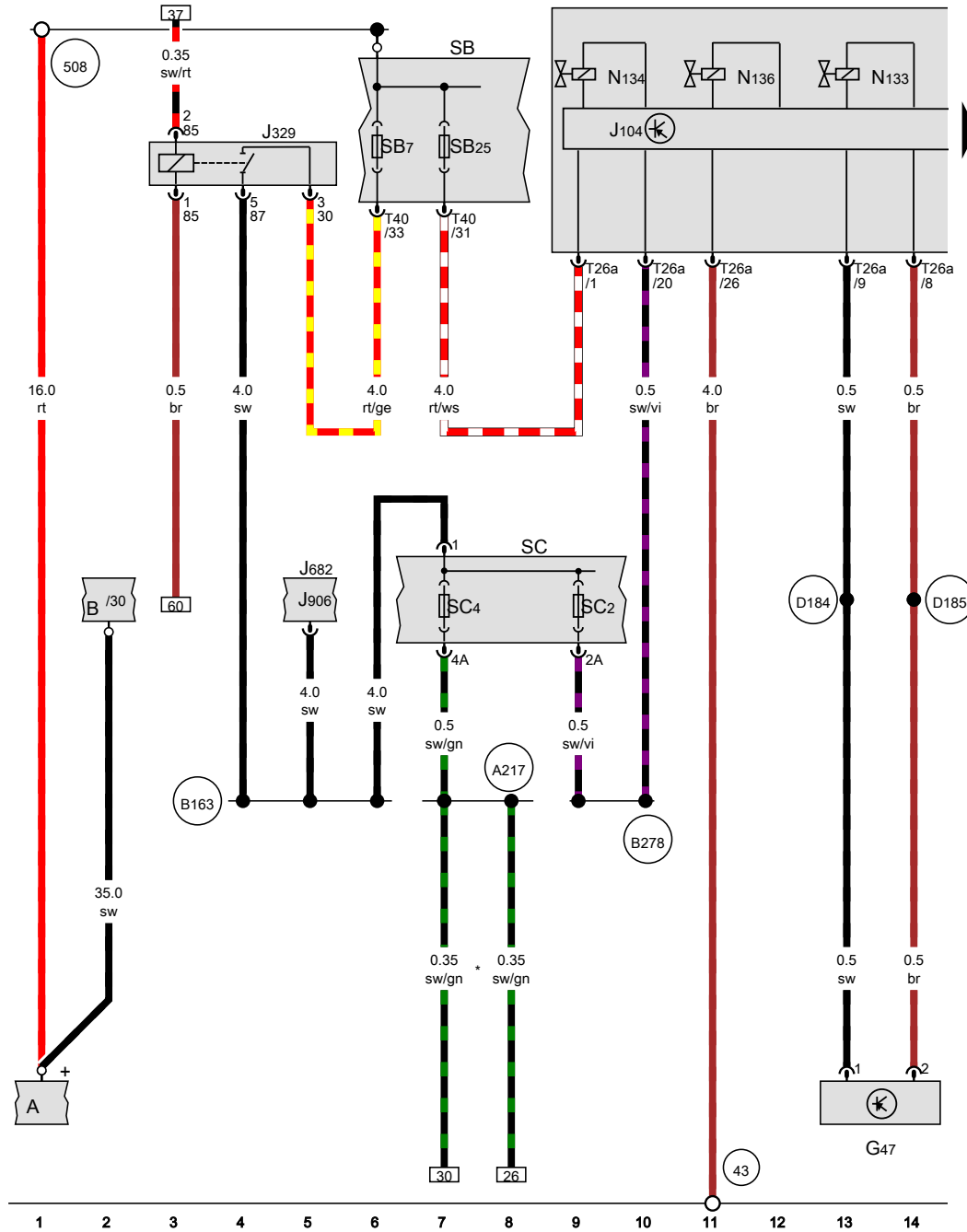


- ws = white
- sw = black
- ro = red
- rt = red
- br = brown
- gn = green
- bl = blue
- gr = grey
- li = lilac
- vi = lilac
- ge = yellow
- or = orange
- rs = pink

[5K1-067200915]

**Anti-Lock Brake System (ABS) with EDL and ASR , (1AS),(1AT)**

from November 2009



Left front ABS wheel speed sensor, ABS control module, Terminal 15 power supply relay, Fuse panel B, Fuse panel C

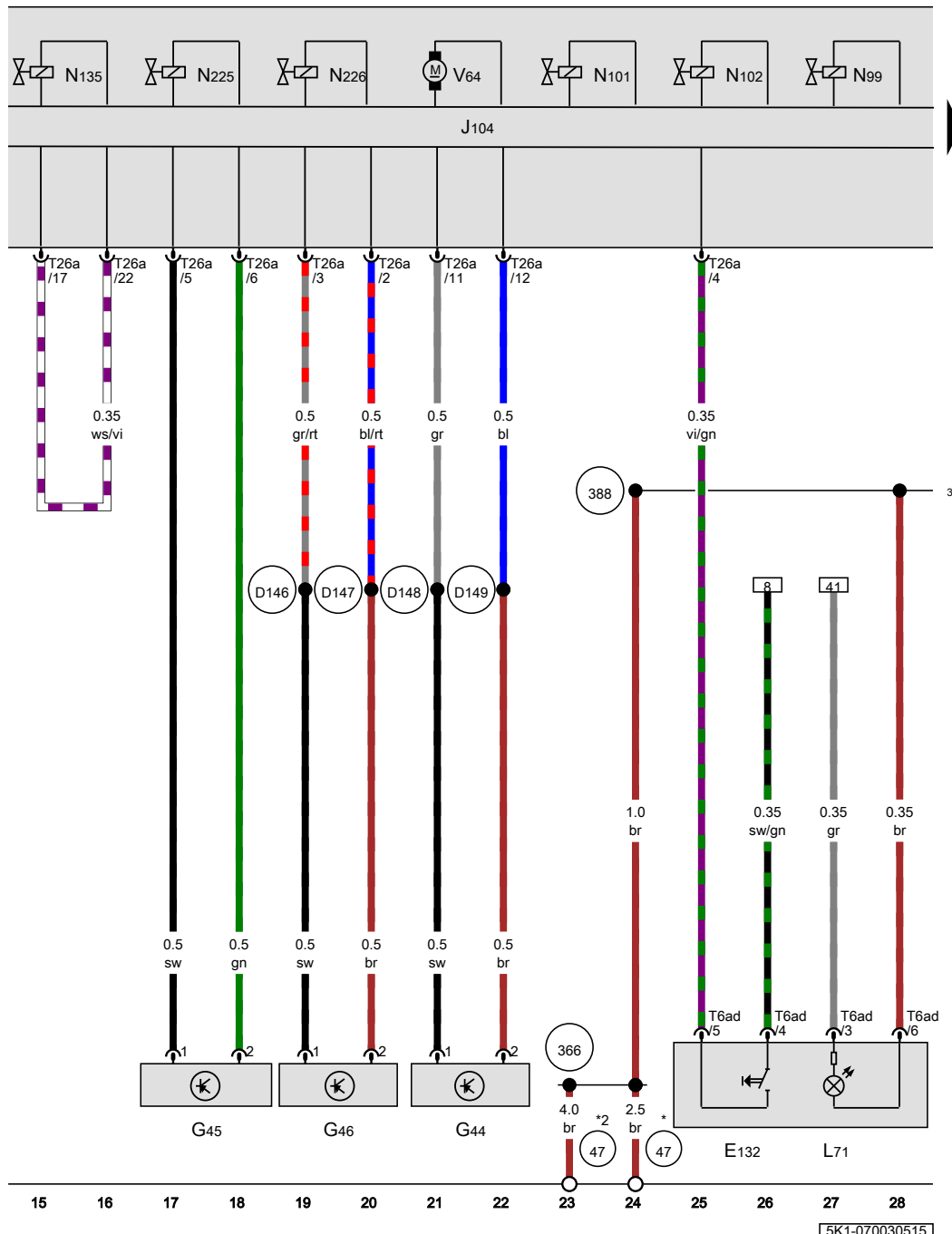
- A Battery
- B Starter
- G47 Left front ABS wheel speed sensor
- J104 ABS control module, in the engine compartment, right
- J329 Terminal 15 power supply relay
- J682 Terminal 50 power supply relay
- J906 Starter relay 1
- N133 Right rear ABS inlet valve
- N134 Left rear ABS inlet valve
- N136 Left rear ABS outlet valve
- SB Fuse panel B
- SC2 Fuse 2 (on fuse panel C)
- SC4 Fuse 4 (on fuse panel C)
- SB7 Fuse 7 (on fuse panel B)
- SB25 Fuse 25 (on fuse panel B)
- SC Fuse panel C
- T26a 26-pin connector
- T40 40-pin connector

- 43 Ground connection on A-pillar, lower right
- 508 Terminal 30 threaded connection (on E-box)
- A217 Positive connection 8 (15a) (in instrument panel wiring harness)
- B163 Positive connection 1 (15) (in interior wiring harness)
- B278 Positive connection 2 (15a) (in main wiring harness)
- D184 Left front speed sensor positive connection (in engine compartment wiring harness)
- D185 Left front speed sensor negative connection (in engine compartment wiring harness)

\* Only for vehicles with tire pressure monitoring

- ws = white
- sw = black
- ro = red
- rt = red
- br = brown
- gn = green
- bl = blue
- gr = grey
- li = lilac
- vi = lilac
- ge = yellow
- or = orange
- rs = pink

15K1-0700205151



ASR switch, Right rear ABS wheel speed sensor, Right front ABS wheel speed sensor, Left rear ABS wheel speed sensor, ABS control module

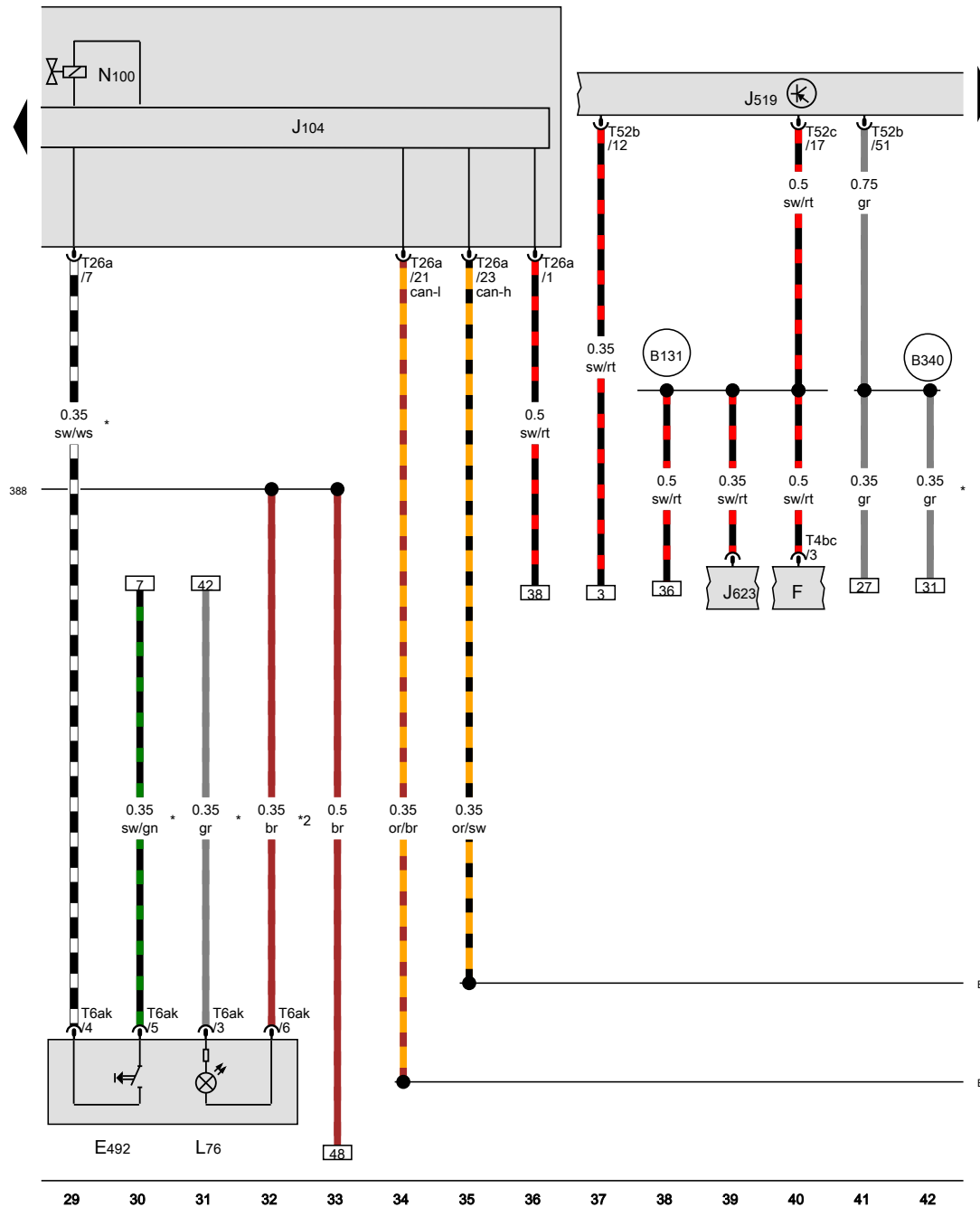
- E132 ASR switch
- G44 Right rear ABS wheel speed sensor
- G45 Right front ABS wheel speed sensor
- G46 Left rear ABS wheel speed sensor
- J104 ABS control module, in the engine compartment, right
- L71 ASR switch illumination bulb
- N99 Right front ABS inlet valve
- N101 Left front ABS inlet valve
- N102 Left front ABS outlet valve
- N135 Right rear ABS outlet valve
- N225 Driving dynamics regulation switch valve 1
- N226 Driving dynamics regulation switch valve 2
- T6ad 6-pin connector
- T26a 26-pin connector
- V64 ABS hydraulic pump

- (47) Ground connection in right front footwell
- (366) Ground connection 1 (in main wiring harness)
- (388) Ground connection 23 (in main wiring harness)
- (D146) Left rear speed sensor positive connection (in engine compartment wiring harness)
- (D147) Left rear speed sensor negative connection (in engine compartment wiring harness)
- (D148) Right rear speed sensor positive connection (in engine compartment wiring harness)
- (D149) Right rear speed sensor negative connection (in engine compartment wiring harness)
- \* Only for vehicles without Start/Stop system
- \*2 Only for vehicles with Start/Stop system

- ws = white
- sw = black
- ro = red
- rt = red
- br = brown
- gn = green
- bl = blue
- gr = grey
- li = lilac
- vi = lilac
- ge = yellow
- or = orange
- rs = pink

15K1-070030515





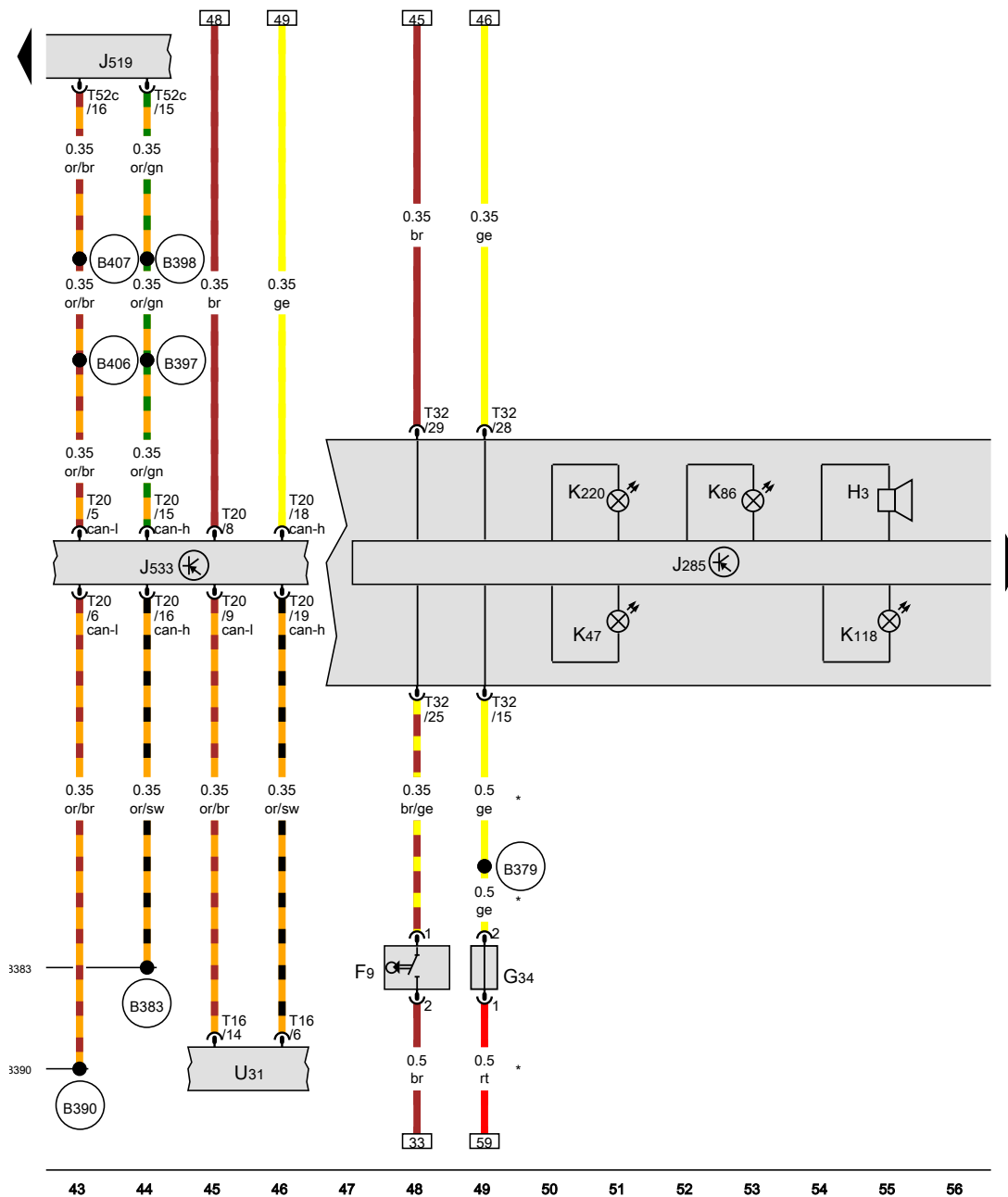
Tire pressure monitoring display button, ABS control module, Vehicle electrical control module system

- E492 Tire pressure monitoring display button
- F Brake lamp switch
- J104 ABS control module, in the engine compartment, right
- J519 Vehicle electrical control module system
- J623 Engine control module
- L76 Push button illumination bulb
- N100 Right front ABS outlet valve
- T4bc 4-pin connector
- T6ak 6-pin connector
- T26a 26-pin connector
- T52b 52-pin connector
- T52c 52-pin connector
- 388 Ground connection 23 (in main wiring harness)
- B131 Connection 54 (in interior wiring harness)
- B340 Connection 58d (in main wiring harness) 1
- B383 Powertrain CAN bus high connection 1 (in main wiring harness)
- B390 Powertrain CAN bus low connection 1 (in main wiring harness)

\* Only for vehicles with tire pressure monitoring  
 \*2 Only for vehicles with a speech recognition system

ws = white  
 sw = black  
 ro = red  
 rt = red  
 br = brown  
 gn = green  
 bl = blue  
 gr = grey  
 li = lilac  
 vi = lilac  
 ge = yellow  
 or = orange  
 rs = pink

15K1-0700405151



Parking brake indicator lamp switch, Left front brake pad wear sensor, Instrument cluster control module, Vehicle electrical control module system, Data bus on board diagnostic interface, ABS indicator lamp, Traction control indicator lamp, Brake system indicator lamp, Tire pressure monitoring display indicator lamp

- F9 Parking brake indicator lamp switch
- G34 Left front brake pad wear sensor
- H3 Warning buzzer and tone
- J285 Instrument cluster control module
- J519 Vehicle electrical control module system
- J533 Data bus on board diagnostic interface, in the left footwell, near the center console
- K47 ABS indicator lamp
- K86 Traction control indicator lamp
- K118 Brake system indicator lamp
- K220 Tire pressure monitoring display indicator lamp
- T16 16-pin connector
- T20 20-pin connector
- T32 32-pin connector
- T52c 52-pin connector
- U31 Diagnostic connection

- (B379) Brake wear indicator connection 1 (in main wiring harness)
- (B383) Powertrain CAN bus high connection 1 (in main wiring harness)
- (B390) Powertrain CAN bus low connection 1 (in main wiring harness)
- (B397) Comfort system CAN bus high connection 1 (in main wiring harness)
- (B398) Comfort system CAN bus high connection 2 (in main wiring harness)
- (B406) Comfort system CAN bus low connection 1 (in main wiring harness)
- (B407) Comfort system CAN bus low connection 2 (in main wiring harness)

\* Only for vehicles with brake pad wear indicator

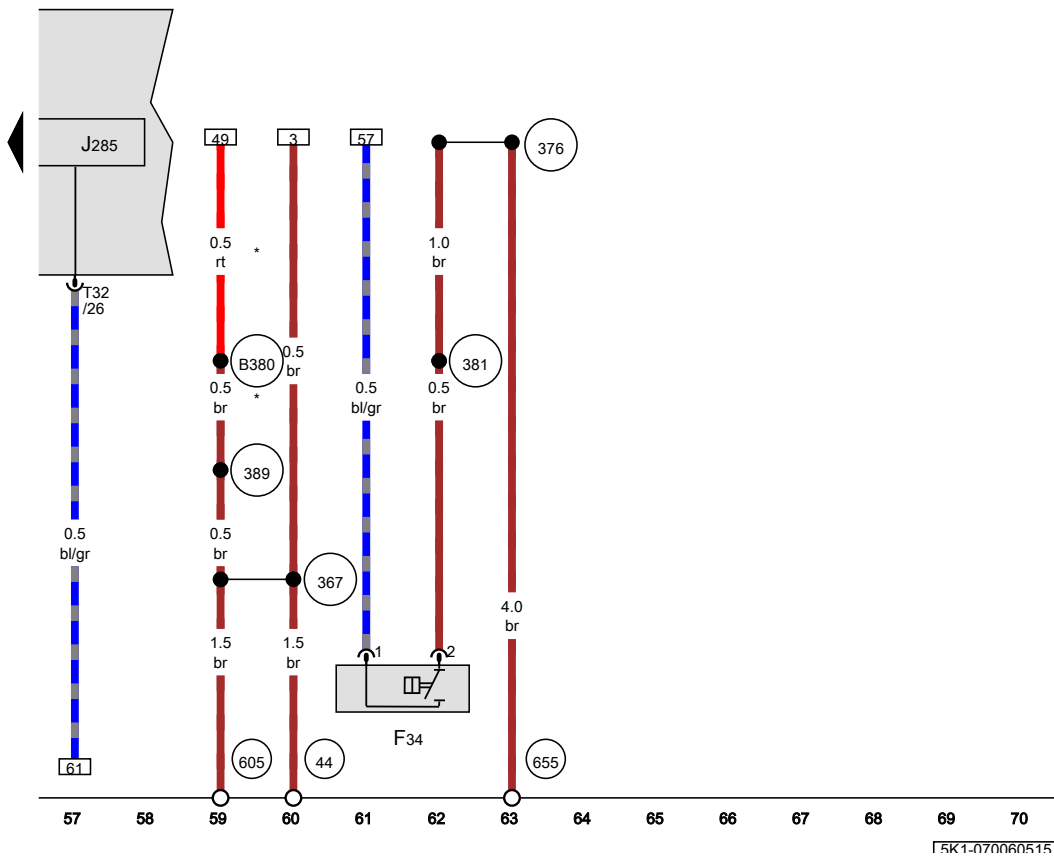
- ws = white
- sw = black
- ro = red
- rt = red
- br = brown
- gn = green
- bl = blue
- gr = grey
- li = lilac
- vi = lilac
- ge = yellow
- or = orange
- rs = pink

15K1-0700505151

Brake fluid level warning switch, Instrument cluster control module

- F34 Brake fluid level warning switch
- J285 Instrument cluster control module
- T32 32-pin connector

- 44 Ground connection on A-pillar, lower left
- 367 Ground connection 2 (in main wiring harness)
- 376 Ground connection 11 (in main wiring harness)
- 381 Ground connection 16 (in main wiring harness)
- 389 Ground connection 24 (in main wiring harness)
- 605 Ground connection on upper steering column
- 655 Ground connection on left headlamp
- B380 Brake wear indicator connection 2 (in main wiring harness)
- \* Only for vehicles with brake pad wear indicator

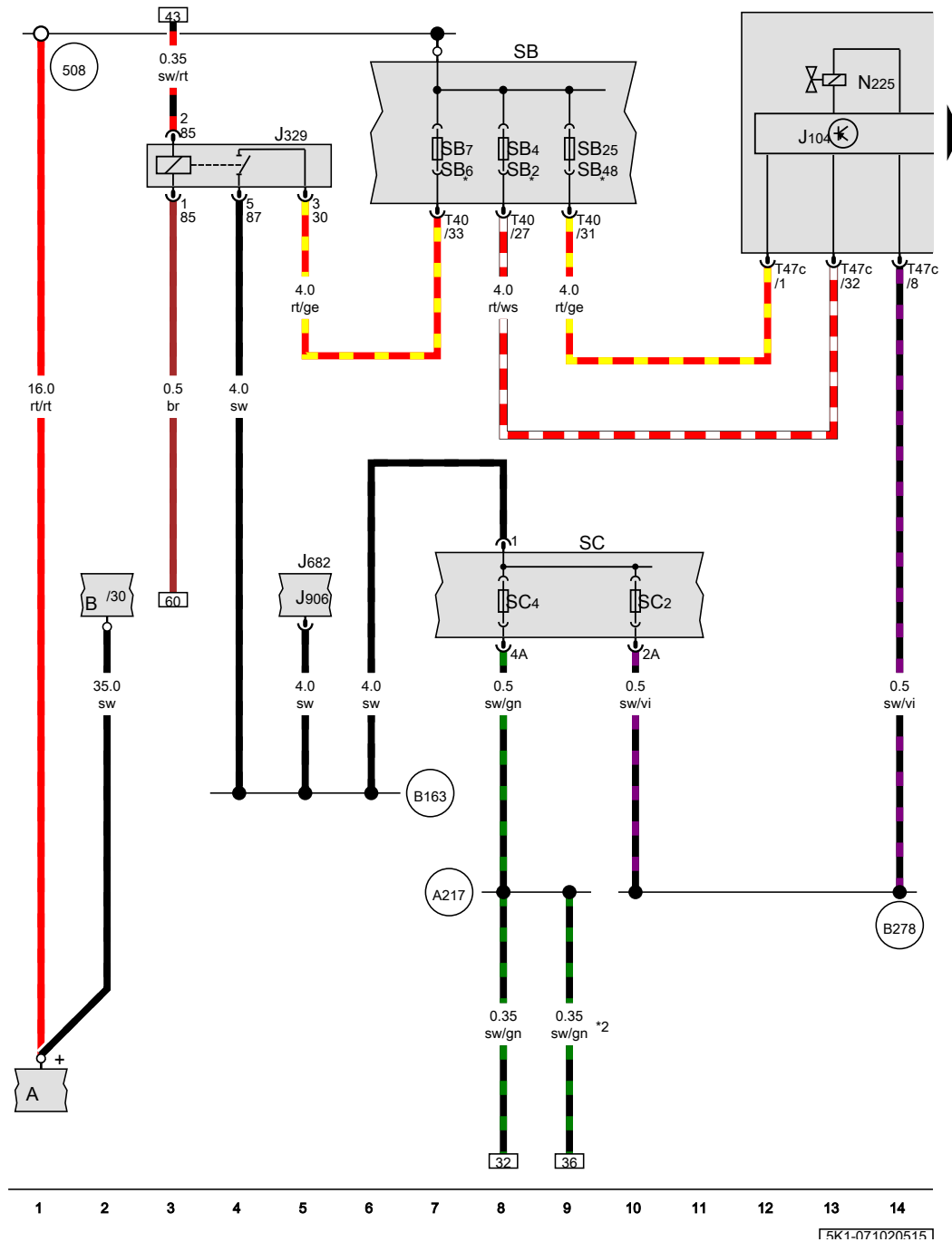


- ws = white
- sw = black
- ro = red
- rt = red
- br = brown
- gn = green
- bl = blue
- gr = grey
- li = lilac
- vi = lilac
- ge = yellow
- or = orange
- rs = pink

15K1-0700605151

**Anti-Lock Brake System (ABS) with EDL and ASR and ESP , (1AS),(1AT)**

from November 2009

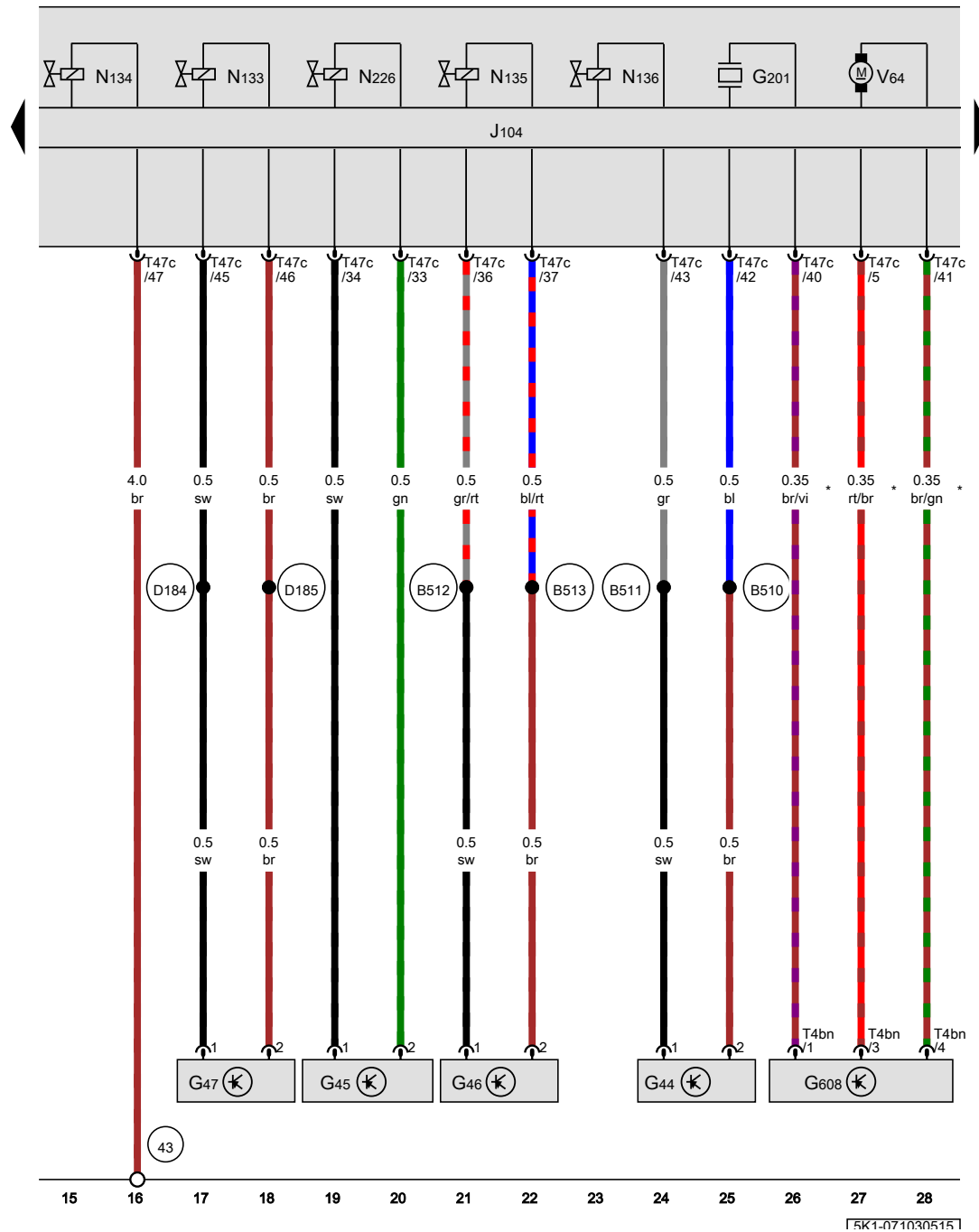


ABS control module, Terminal 15 power supply relay, Fuse panel B, Fuse panel C

- A Battery
- B Starter
- J104 ABS control module, in the engine compartment, right
- J329 Terminal 15 power supply relay
- J682 Terminal 50 power supply relay
- J906 Starter relay 1
- N225 Driving dynamics regulation switch valve 1
- SB Fuse panel B
- SB2 Fuse 2 (on fuse panel B)
- SC2 Fuse 2 (on fuse panel C)
- SC4 Fuse 4 (on fuse panel C)
- SB4 Fuse 4 (on fuse panel B)
- SB6 Fuse 6 (on fuse panel B)
- SB7 Fuse 7 (on fuse panel B)
- SB25 Fuse 25 (on fuse panel B)
- SB48 Fuse 48 (on fuse panel B)
- SC Fuse panel C
- T40 40-pin connector
- T47c 47-pin connector

- (508) Terminal 30 threaded connection (on E-box)
- (A217) Positive connection 8 (15a) (in instrument panel wiring harness)
- (B163) Positive connection 1 (15) (in interior wiring harness)
- (B278) Positive connection 2 (15a) (in main wiring harness)
- \* E-Box high
- \*2 Only for vehicles with tire pressure monitoring

- ws = white
- sw = black
- ro = red
- rt = red
- br = brown
- gn = green
- bl = blue
- gr = grey
- li = lilac
- vi = lilac
- ge = yellow
- or = orange
- rs = pink



Right rear ABS wheel speed sensor, Right front ABS wheel speed sensor, Left rear ABS wheel speed sensor, Left front ABS wheel speed sensor, Vacuum sensor, ABS control module

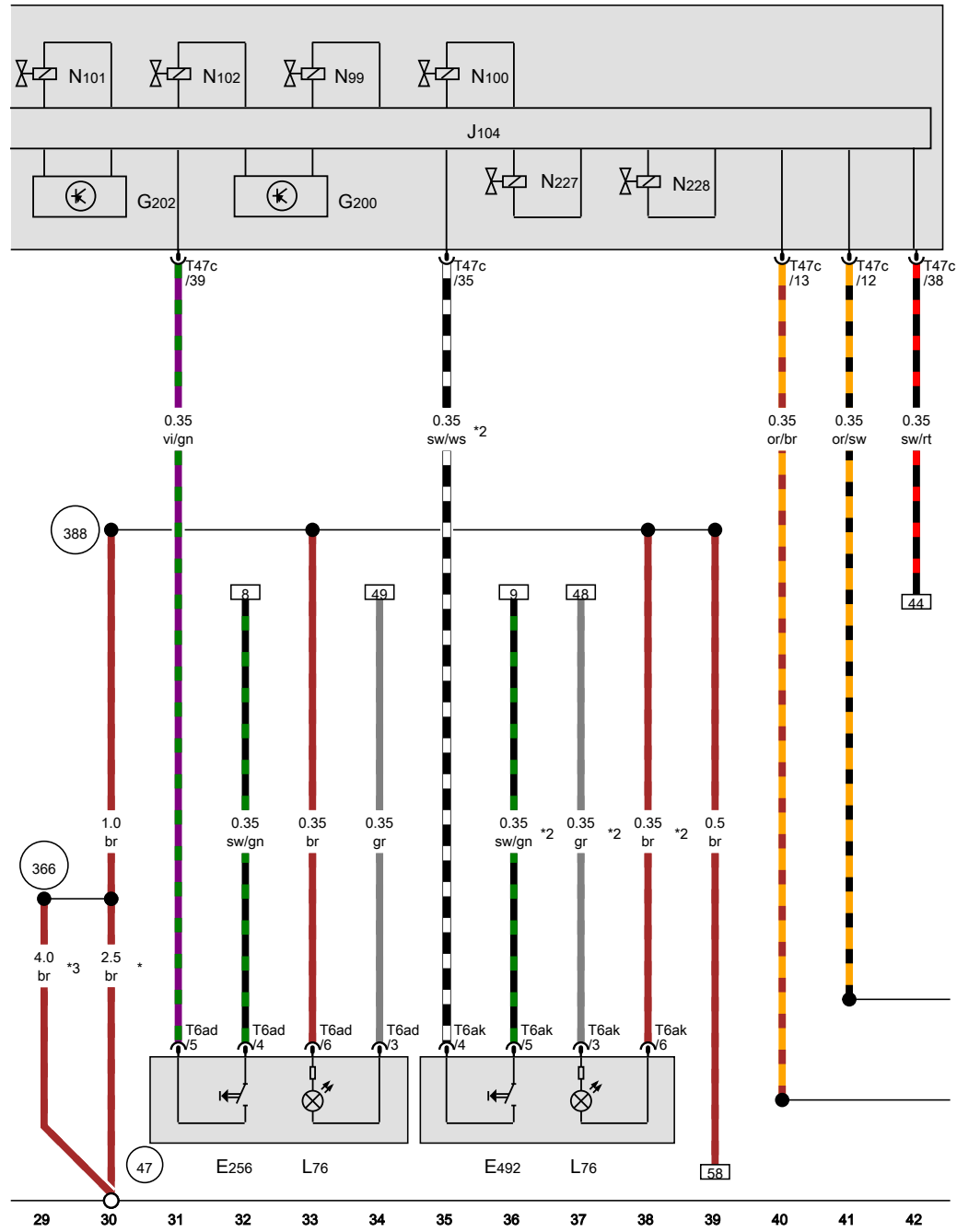
- G44 Right rear ABS wheel speed sensor
- G45 Right front ABS wheel speed sensor
- G46 Left rear ABS wheel speed sensor
- G47 Left front ABS wheel speed sensor
- G201 Brake pressure sensor 1
- G608 Vacuum sensor
- J104 ABS control module, in the engine compartment, right
- N133 Right rear ABS inlet valve
- N134 Left rear ABS inlet valve
- N135 Right rear ABS outlet valve
- N136 Left rear ABS outlet valve
- N226 Driving dynamics regulation switch valve 2
- T4bn 4-pin connector
- T47c 47-pin connector
- V64 ABS hydraulic pump

- 43 Ground connection on A-pillar, lower right
- B510 Right rear speed sensor connection 1 (in interior wiring harness)
- B511 Right rear speed sensor connection 2 (in interior wiring harness)
- B512 Left rear speed sensor connection 1 (in interior wiring harness)
- B513 Left rear speed sensor connection 2 (in interior wiring harness)
- D184 Left front speed sensor positive connection (in engine compartment wiring harness)
- D185 Left front speed sensor negative connection (in engine compartment wiring harness)
- \* Only for vehicles with a hydraulic brake booster

- ws = white
- sw = black
- ro = red
- rt = red
- br = brown
- gn = green
- bl = blue
- gr = grey
- li = lilac
- vi = lilac
- ge = yellow
- or = orange
- rs = pink

15K1-071030515

ASR/ESP button, Tire pressure monitoring display button, ABS control module



- E256 ASR/ESP button
- E492 Tire pressure monitoring display button
- G200 Transverse acceleration sensor
- G202 Rotation rate sensor
- J104 ABS control module, in the engine compartment, right
- L76 Push button illumination bulb
- N99 Right front ABS inlet valve
- N100 Right front ABS outlet valve
- N101 Left front ABS inlet valve
- N102 Left front ABS outlet valve
- N227 Driving dynamics regulation high pressure switch valve 1
- N228 Driving dynamics regulation high pressure switch valve 2
- T6ad 6-pin connector
- T6ak 6-pin connector
- T47c 47-pin connector

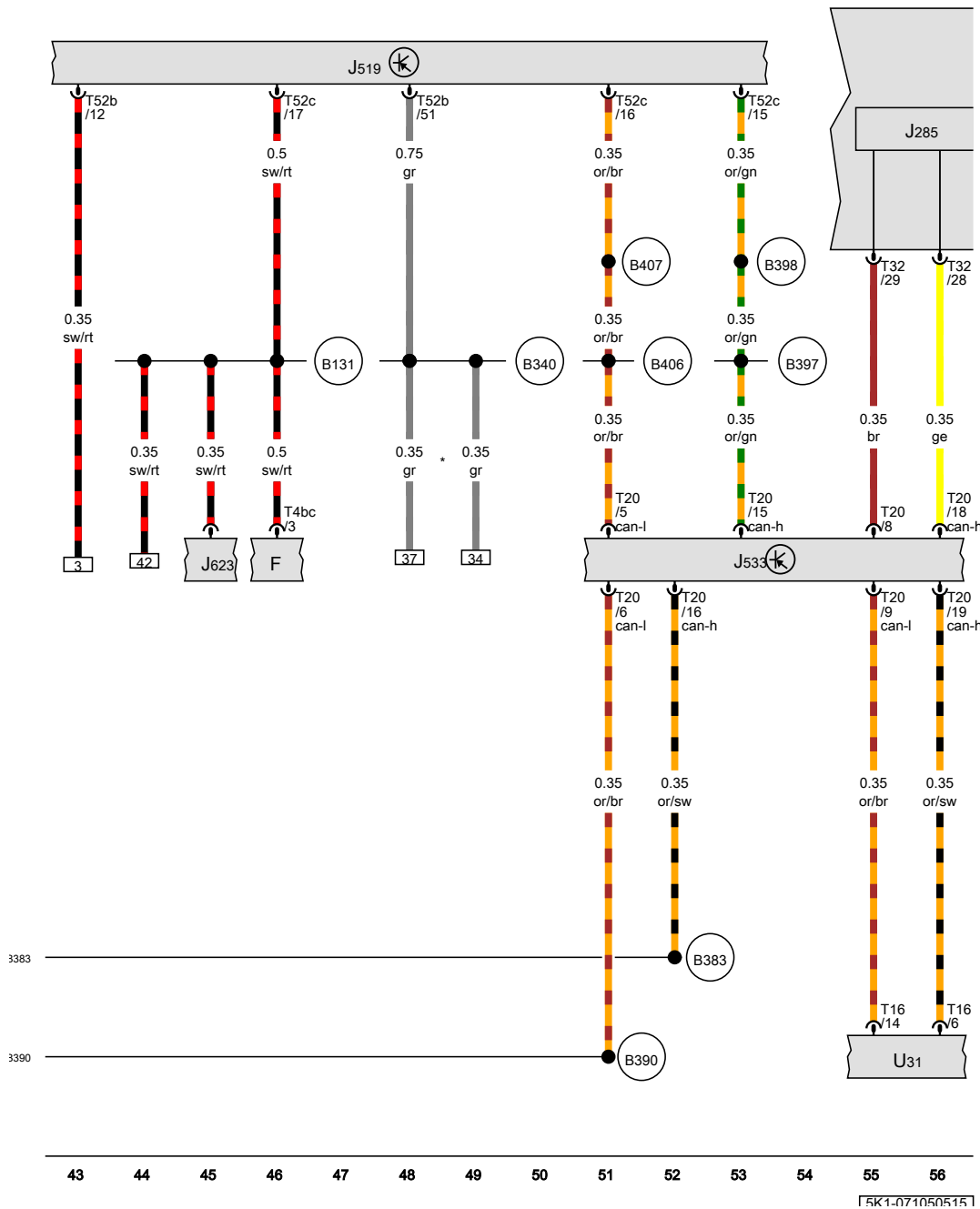
- 47 Ground connection in right front footwell
- 366 Ground connection 1 (in main wiring harness)
- 388 Ground connection 23 (in main wiring harness)
- B383 Powertrain CAN bus high connection 1 (in main wiring harness)
- B390 Powertrain CAN bus low connection 1 (in main wiring harness)

- \* Only for vehicles without Start/Stop system
- \*2 Only for vehicles with tire pressure monitoring
- \*3 Only for vehicles with Start/Stop system

- ws = white
- sw = black
- ro = red
- rt = red
- br = brown
- gn = green
- bl = blue
- gr = grey
- li = lilac
- vi = lilac
- ge = yellow
- or = orange
- rs = pink

15K1-0710405151

Instrument cluster control module, Vehicle electrical control module system, Data bus on board diagnostic interface



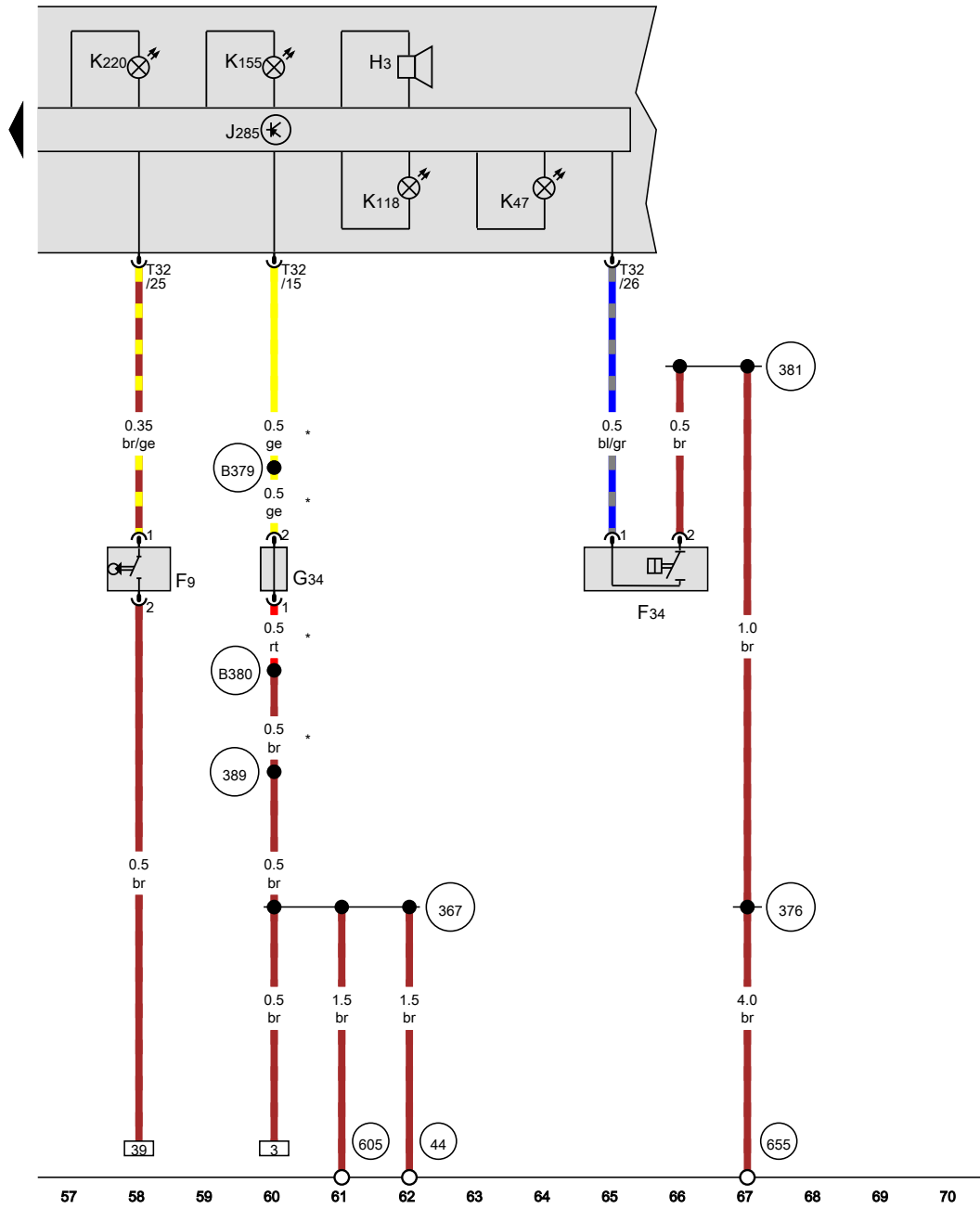
- F Brake lamp switch
- J285 Instrument cluster control module
- J519 Vehicle electrical control module system
- J533 Data bus on board diagnostic interface, in the left footwell, near the center console
- J623 Engine control module
- T4bc 4-pin connector
- T16 16-pin connector
- T20 20-pin connector
- T32 32-pin connector
- T52b 52-pin connector
- T52c 52-pin connector
- U31 Diagnostic connection

- (B131) Connection 54 (in interior wiring harness)
- (B340) Connection 58d (in main wiring harness) 1
- (B383) Powertrain CAN bus high connection 1 (in main wiring harness)
- (B390) Powertrain CAN bus low connection 1 (in main wiring harness)
- (B397) Comfort system CAN bus high connection 1 (in main wiring harness)
- (B398) Comfort system CAN bus high connection 2 (in main wiring harness)
- (B406) Comfort system CAN bus low connection 1 (in main wiring harness)
- (B407) Comfort system CAN bus low connection 2 (in main wiring harness)
- \* Only for vehicles with tire pressure monitoring

- ws = white
- sw = black
- ro = red
- rt = red
- br = brown
- gn = green
- bl = blue
- gr = grey
- li = lilac
- vi = lilac
- ge = yellow
- or = orange
- rs = pink

15K1-071050515





Brake fluid level warning switch, Left front brake pad wear sensor, Warning buzzer and tone, Instrument cluster control module, ABS indicator lamp, Brake system indicator lamp, ASR/ESP indicator lamp, Tire pressure monitoring display indicator lamp

- F9 Parking brake indicator lamp switch
- F34 Brake fluid level warning switch
- G34 Left front brake pad wear sensor
- H3 Warning buzzer and tone
- J285 Instrument cluster control module
- K47 ABS indicator lamp
- K118 Brake system indicator lamp
- K155 ASR/ESP indicator lamp
- K220 Tire pressure monitoring display indicator lamp
- T32 32-pin connector

- 44 Ground connection on A-pillar, lower left
- 367 Ground connection 2 (in main wiring harness)
- 376 Ground connection 11 (in main wiring harness)
- 381 Ground connection 16 (in main wiring harness)
- 389 Ground connection 24 (in main wiring harness)
- 605 Ground connection on upper steering column
- 655 Ground connection on left headlamp
- B379 Brake wear indicator connection 1 (in main wiring harness)
- B380 Brake wear indicator connection 2 (in main wiring harness)

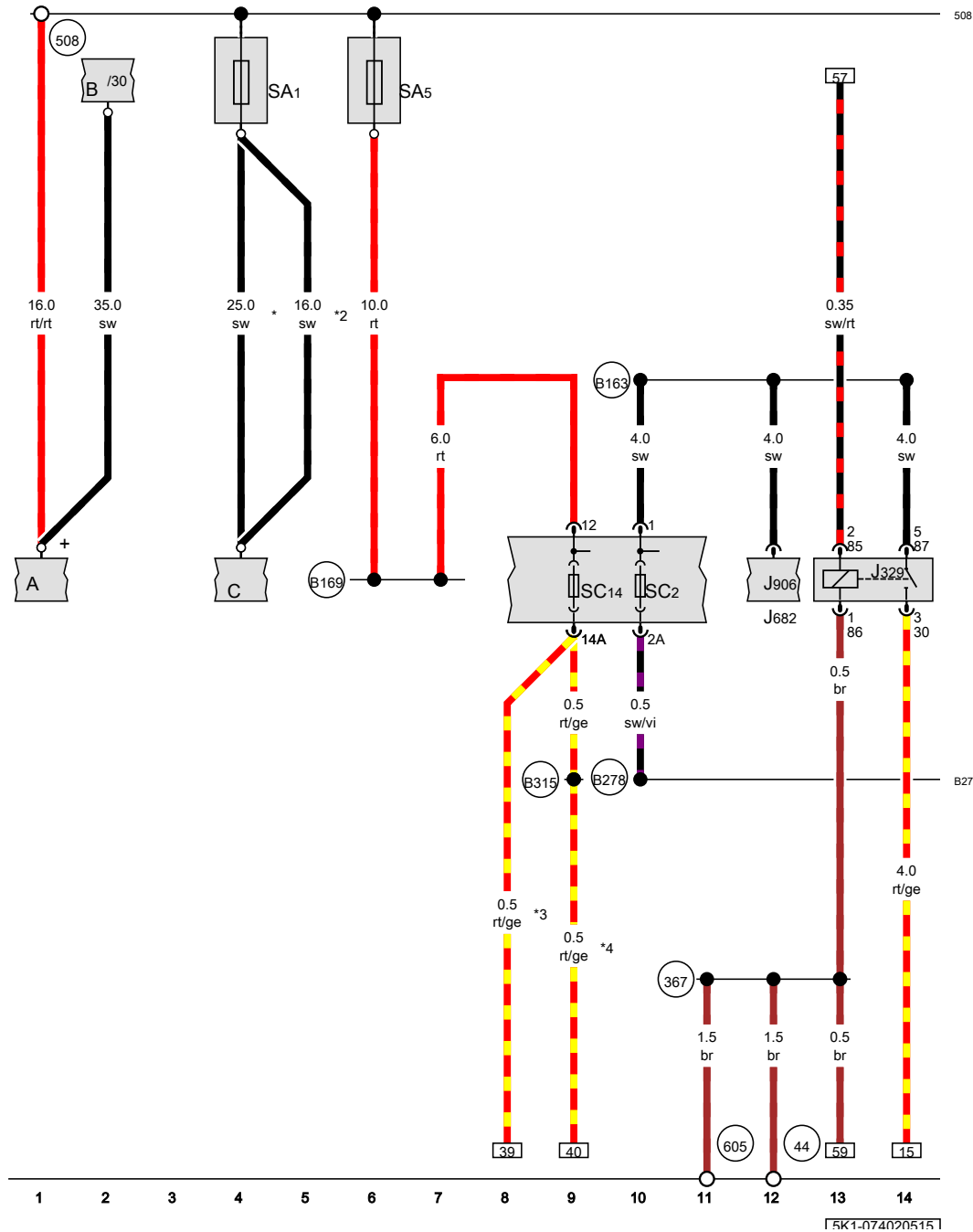
\* Only for vehicles with brake pad wear indicator

- ws = white
- sw = black
- ro = red
- rt = red
- br = brown
- gn = green
- bl = blue
- gr = grey
- li = lilac
- vi = lilac
- ge = yellow
- or = orange
- rs = pink

15K1-0710605151

**Automatic transmission - DSG 02E , (G1A)**

from November 2009



Terminal 15 power supply relay, Fuse 1 (on fuse panel A), Fuse 2 (on fuse panel C), Fuse 5 (on fuse panel A), Fuse 14 (on fuse panel C)

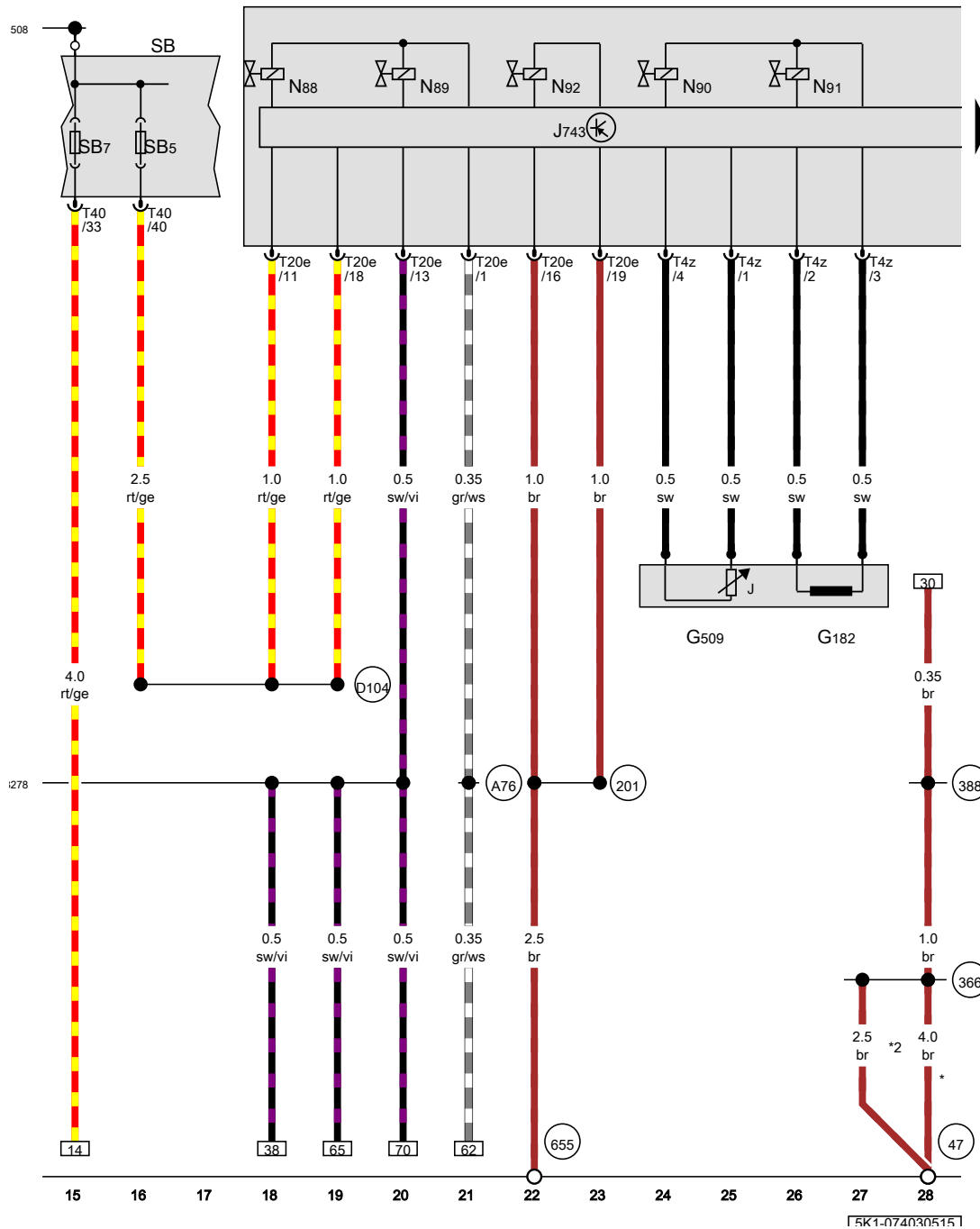
- A Battery
- B Starter
- C Generator
- J329 Terminal 15 power supply relay
- J682 Terminal 50 power supply relay
- J906 Starter relay 1
- SA1 Fuse 1 (on fuse panel A)
- SC2 Fuse 2 (on fuse panel C)
- SA5 Fuse 5 (on fuse panel A)
- SC14 Fuse 14 (on fuse panel C)

- 44 Ground connection on A-pillar, lower left
- 367 Ground connection 2 (in main wiring harness)
- 508 Terminal 30 threaded connection (on E-box)
- 605 Ground connection on upper steering column
- B163 Positive connection 1 (15) (in interior wiring harness)
- B169 Positive connection 1 (30) (in interior wiring harness)
- B278 Positive connection 2 (15a) (in main wiring harness)
- B315 Positive connection 1 (30a) (in main wiring harness)

- \* Only for vehicles with a generator (140 A)
- \*2 Only for vehicles with 90 A/120 A generator
- \*3 Only for vehicles without an A/C system
- \*4 Only for vehicles with A/C system

- ws = white
- sw = black
- ro = red
- rt = red
- br = brown
- gn = green
- bl = blue
- gr = grey
- li = lilac
- vi = lilac
- ge = yellow
- or = orange
- rs = pink

15K1-074020515



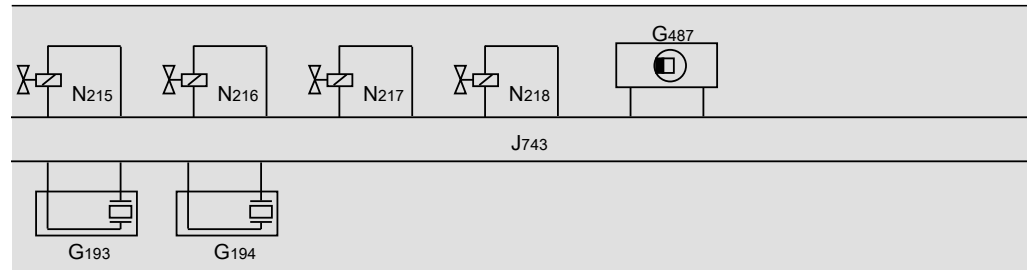
Transmission input speed sensor, Clutch oil temperature sensor, DSG transmission Mechatronic, Solenoid valve 1, Solenoid valve 2, Solenoid valve 4, Solenoid valve 5, Fuse panel B

- G182 Transmission input speed sensor
- G509 Clutch oil temperature sensor
- J743 DSG transmission Mechatronic, in the transmission
- N88 Solenoid valve 1
- N89 Solenoid valve 2
- N90 Solenoid valve 3
- N91 Solenoid valve 4
- N92 Solenoid valve 5
- SB Fuse panel B
- SB5 Fuse 5 (on fuse panel B)
- SB7 Fuse 7 (on fuse panel B)
- T4z 4-pin connector
- T20e 20-pin connector
- T40 40-pin connector

- (47) Ground connection in right front footwell
- (201) Ground connection 5 (in engine compartment wiring harness)
- (366) Ground connection 1 (in main wiring harness)
- (388) Ground connection 23 (in main wiring harness)
- (508) Terminal 30 threaded connection (on E-box)
- (655) Ground connection on left headlamp
- (A76) KS-diagnostic lead connection (in instrument panel wiring harness)
- (B278) Positive connection 2 (15a) (in main wiring harness)
- (D104) Positive connection 2 (30a) (in engine compartment wiring harness)
- \* Only for vehicles with Start/Stop system
- \*2 Only for vehicles without Start/Stop system

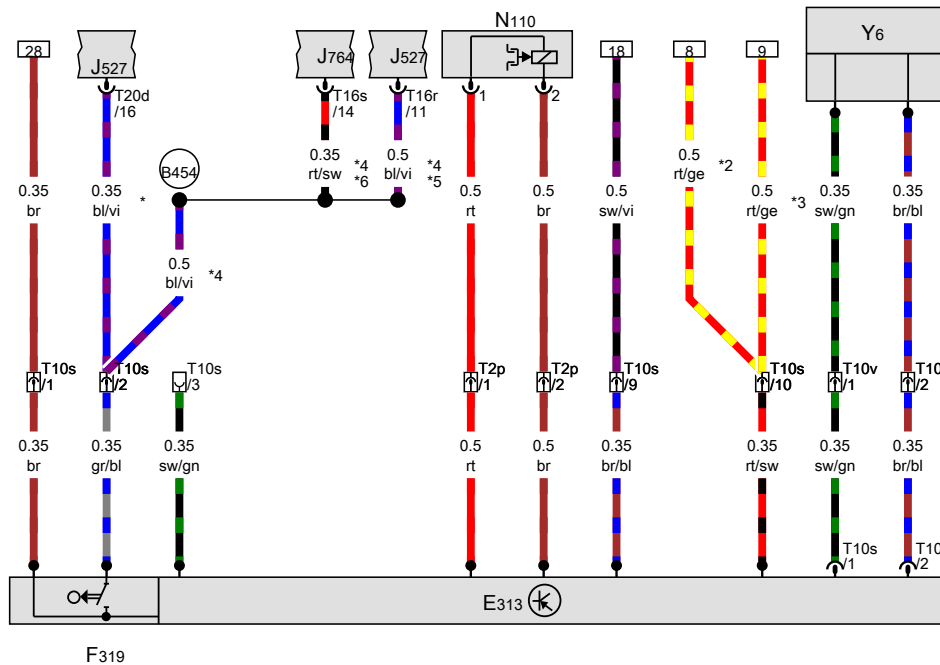
- ws = white
- sw = black
- ro = red
- rt = red
- br = brown
- gn = green
- bl = blue
- gr = grey
- li = lilac
- vi = lilac
- ge = yellow
- or = orange
- rs = pink

15K1-074030515



Selector lever, Selector lever park position lock switch, Automatic transmission hydraulic pressure sensor 1, Automatic transmission hydraulic pressure sensor 2, Gear position distance sensor 1, DSG transmission Mechatronic, Shift lock solenoid, Automatic transmission pressure regulating valve 1, Automatic transmission pressure regulating valve 2, Automatic transmission pressure regulating valve 3, Automatic transmission pressure regulating valve 4, Transmission range display

- E313 Selector lever
- F319 Selector lever park position lock switch
- G193 Automatic transmission hydraulic pressure sensor 1
- G194 Automatic transmission hydraulic pressure sensor 2
- G487 Gear position distance sensor 1
- J527 Steering column electronics control module
- J743 DSG transmission Mechatronic, in the transmission
- J764 Electronic steering column lock control module
- N110 Shift lock solenoid
- N215 Automatic transmission pressure regulating valve 1
- N216 Automatic transmission pressure regulating valve 2
- N217 Automatic transmission pressure regulating valve 3
- N218 Automatic transmission pressure regulating valve 4
- T2p Double connector, under the selector lever
- T10s 10-pin connector, under the selector lever
- T10v 10-pin connector, under the selector lever
- T16r 16-pin connector
- T16s 16-pin connector
- T20d 20-pin connector
- Y6 Transmission range display



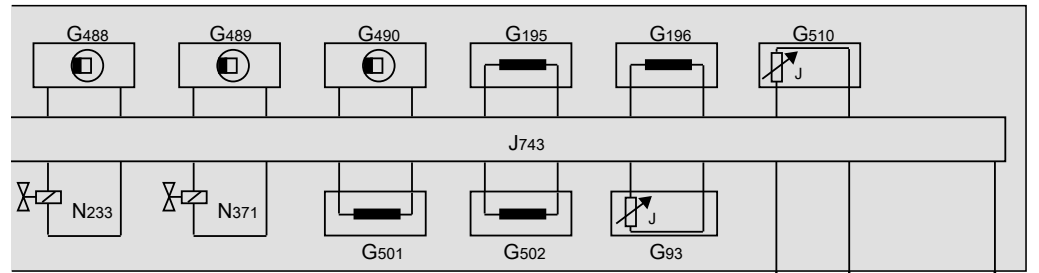
B454 Shift lock connection (in main wiring harness)

- \* through April 2010
- \*2 Only for vehicles without an A/C system
- \*3 Only for vehicles with A/C system
- \*4 from May 2010
- \*5 Only for vehicles without access/start authorization system
- \*6 only for vehicles with access/start authorization system

- ws = white
- sw = black
- ro = red
- rt = red
- br = brown
- gn = green
- bl = blue
- gr = grey
- li = lilac
- vi = lilac
- ge = yellow
- or = orange
- rs = pink

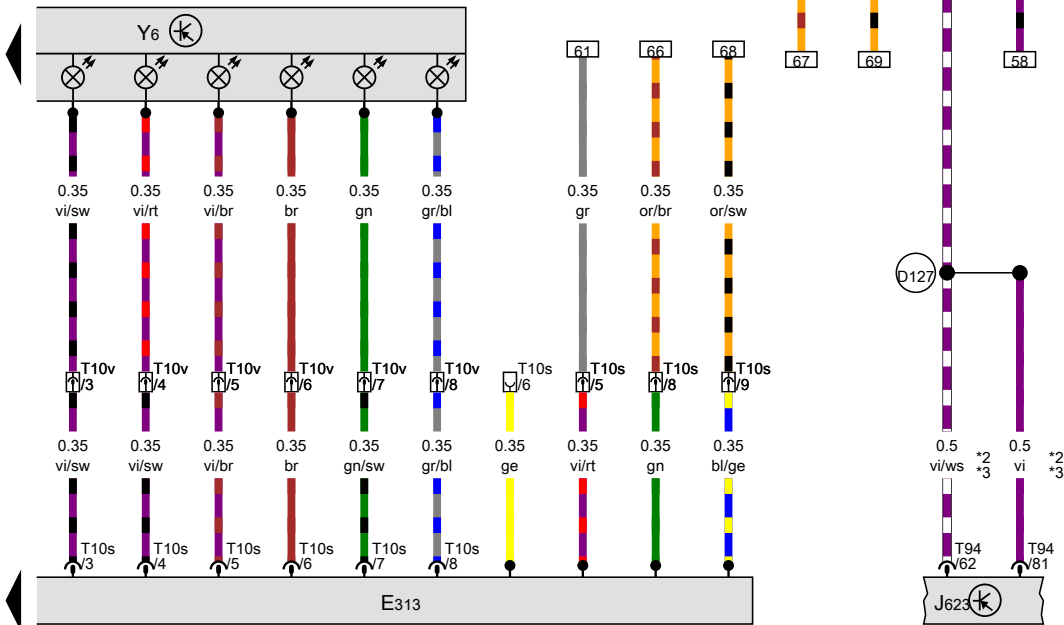
29 30 31 32 33 34 35 36 37 38 39 40 41 42

15K1-0740405151



Selector lever, Transmission fluid temperature sensor, Transmission output speed sensor, Transmission output speed sensor 2, Gear position distance sensor 2, Gear position distance sensor 3, Gear position distance sensor 4, Driveshaft speed sensor 1, Driveshaft speed sensor 2, Temperature sensor in control module, DSG transmission Mechatronic, Automatic transmission pressure regulating valve 5, Automatic transmission pressure regulating valve 6, Transmission range display

- E313 Selector lever
  - G93 Transmission fluid temperature sensor
  - G195 Transmission output speed sensor
  - G196 Transmission output speed sensor 2
  - G488 Gear position distance sensor 2
  - G489 Gear position distance sensor 3
  - G490 Gear position distance sensor 4
  - G501 Driveshaft speed sensor 1
  - G502 Driveshaft speed sensor 2
  - G510 Temperature sensor in control module
  - J623 Engine control module
  - J743 DSG transmission Mechatronic, in the transmission
  - N233 Automatic transmission pressure regulating valve 5
  - N371 Automatic transmission pressure regulating valve 6
  - T10s 10-pin connector, under the selector lever
  - T10v 10-pin connector, under the selector lever
  - T20e 20-pin connector
  - T94 94-pin connector
  - Y6 Transmission range display
- D127 Connection 25 (in engine compartment wiring harness)
- \* Only for vehicles without Start/Stop system
  - \*2 Only for vehicles with Start/Stop system
  - \*3 Only for vehicles with a diesel engine



- ws = white
- sw = black
- ro = red
- rt = red
- br = brown
- gn = green
- bl = blue
- gr = grey
- li = lilac
- vi = lilac
- ge = yellow
- or = orange
- rs = pink

43 44 45 46 47 48 49 50 51 52 53 54 55 56

15K1-0740505151

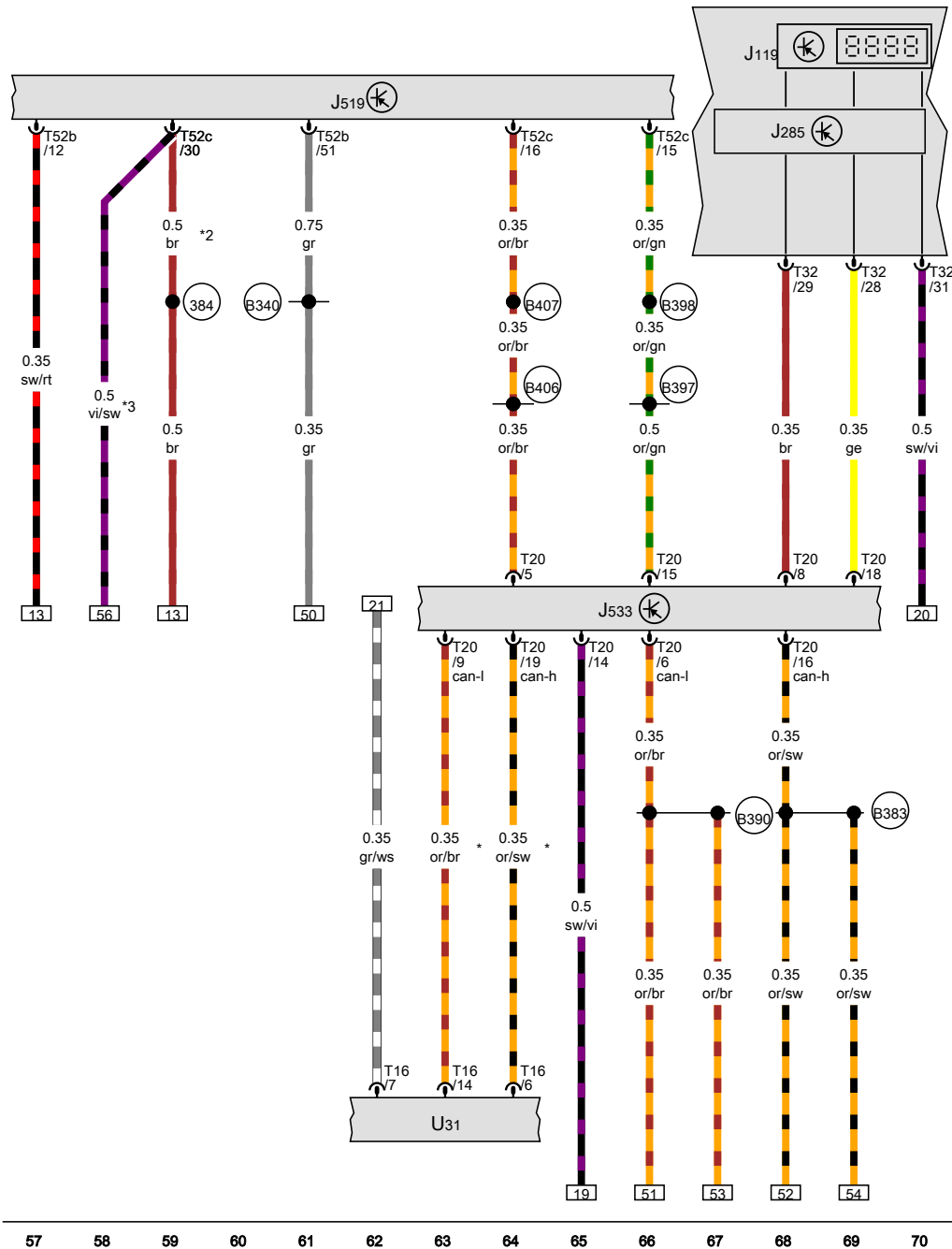
Multifunction indicator, Instrument cluster control module, Data bus on board diagnostic interface

- J119 Multifunction indicator
- J285 Instrument cluster control module
- J519 Vehicle electrical control module system
- J533 Data bus on board diagnostic interface, in the left footwell, near the center console
- T16 16-pin connector
- T20 20-pin connector
- T32 32-pin connector
- T52b 52-pin connector
- T52c 52-pin connector
- U31 Diagnostic connection

- 384 Ground connection 19 (in main wiring harness)
- B340 Connection 58d (in main wiring harness) 1
- B383 Powertrain CAN bus high connection 1 (in main wiring harness)
- B390 Powertrain CAN bus low connection 1 (in main wiring harness)
- B397 Comfort system CAN bus high connection 1 (in main wiring harness)
- B398 Comfort system CAN bus high connection 2 (in main wiring harness)
- B406 Comfort system CAN bus low connection 1 (in main wiring harness)
- B407 Comfort system CAN bus low connection 2 (in main wiring harness)

- \* Diagnostic connector
- \*2 Only for vehicles with Start/Stop system
- \*3 Only for vehicles without Start/Stop system

- ws = white
- sw = black
- ro = red
- rt = red
- br = brown
- gn = green
- bl = blue
- gr = grey
- li = lilac
- vi = lilac
- ge = yellow
- or = orange
- rs = pink

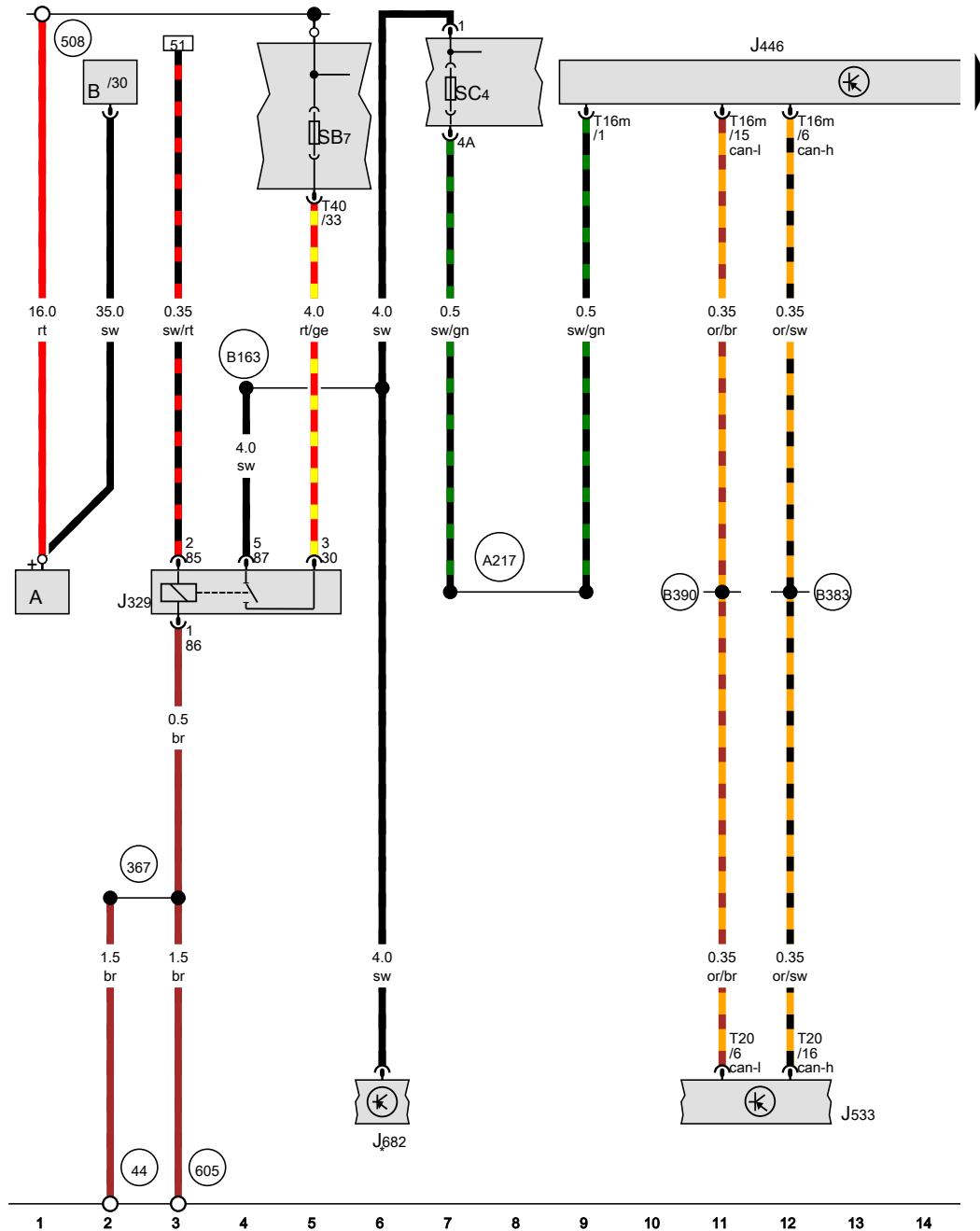


15K1-0740605151

**Parking distance control without parallel parking assistance (park assist) , (7X5),(7X6)**

from November 2009





Terminal 15 power supply relay, Parking aid control module, Data bus on board diagnostic interface, Fuse 4 (on fuse panel C), Fuse 7 (on fuse panel B)

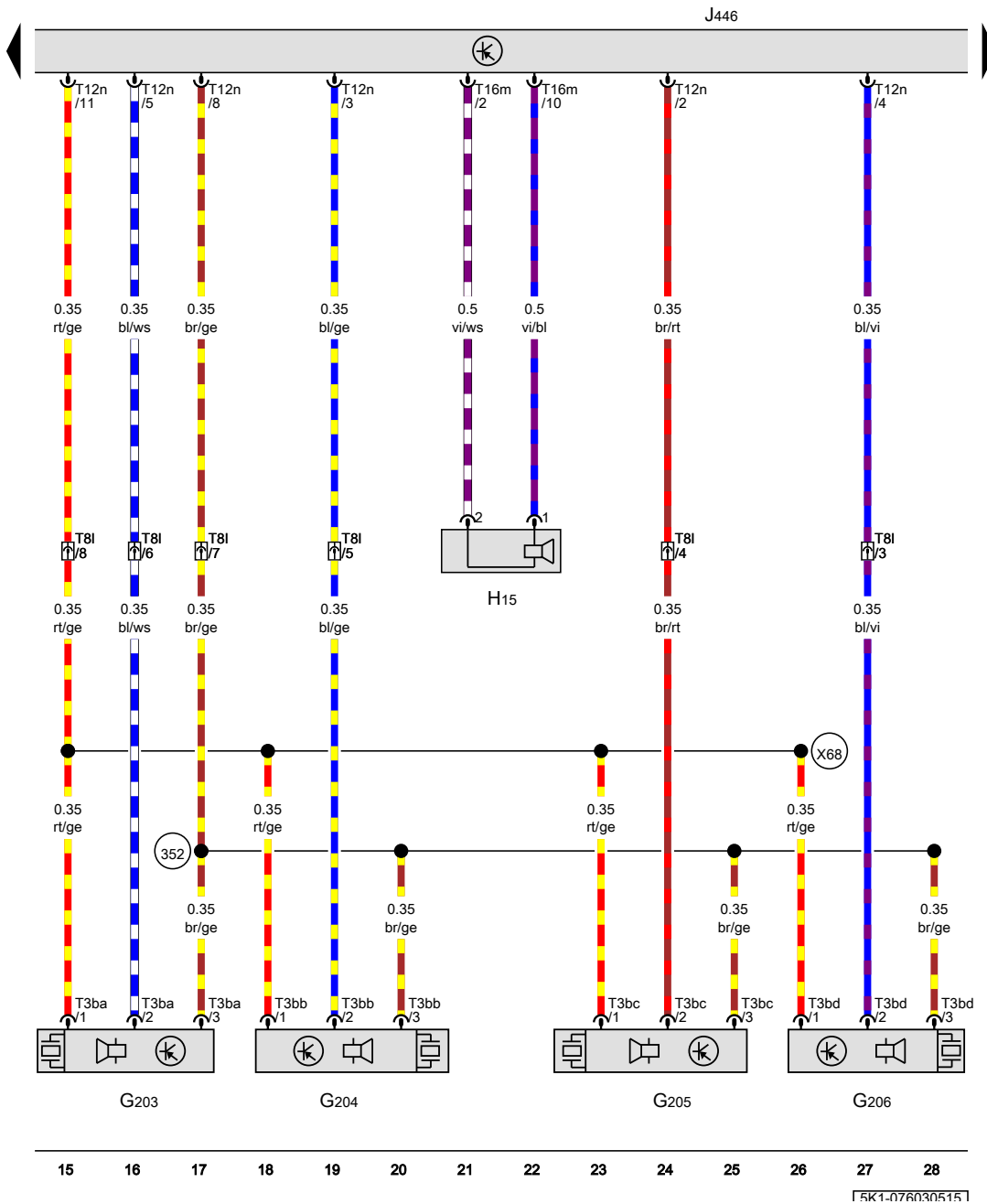
- A Battery
- B Starter
- J329 Terminal 15 power supply relay
- J446 Parking aid control module, behind the instrument panel, left
- J533 Data bus on board diagnostic interface, in the left footwell, near the center console
- J682 Terminal 50 power supply relay
- SC4 Fuse 4 (on fuse panel C)
- SB7 Fuse 7 (on fuse panel B)
- T16m 16-pin connector
- T20 20-pin connector
- T40 40-pin connector

- 44 Ground connection on A-pillar, lower left
- 367 Ground connection 2 (in main wiring harness)
- 508 Terminal 30 threaded connection (on E-box)
- 605 Ground connection on upper steering column
- A217 Positive connection 8 (15a) (in instrument panel wiring harness)
- B163 Positive connection 1 (15) (in interior wiring harness)
- B383 Powertrain CAN bus high connection 1 (in main wiring harness)
- B390 Powertrain CAN bus low connection 1 (in main wiring harness)

\* Refer to applicable engine wiring diagram

- ws = white
- sw = black
- ro = red
- rt = red
- br = brown
- gn = green
- bl = blue
- gr = grey
- li = lilac
- vi = lilac
- ge = yellow
- or = orange
- rs = pink

15K1-0760205151



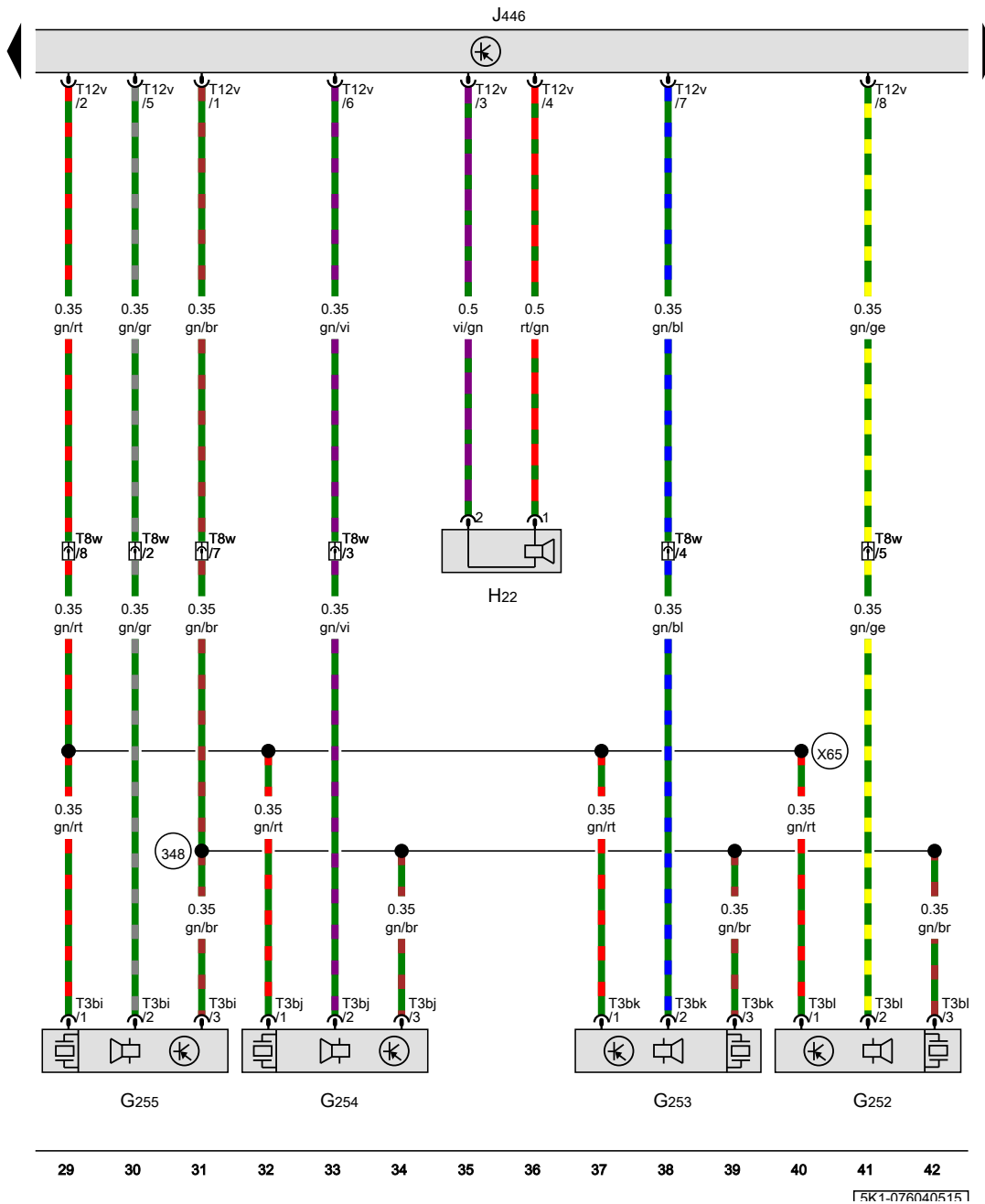
Left rear parking aid sensor, Left rear center parking aid sensor, Right rear center parking aid sensor, Right rear parking aid sensor, Rear parking aid warning buzzer, Parking aid control module

- G203 Left rear parking aid sensor
- G204 Left rear center parking aid sensor
- G205 Right rear center parking aid sensor
- G206 Right rear parking aid sensor
- H15 Rear parking aid warning buzzer
- J446 Parking aid control module, behind the instrument panel, left
- T3ba 3-pin connector
- T3bb 3-pin connector
- T3bc 3-pin connector
- T3bd 3-pin connector
- T81 8-pin connector, behind the right rear bumper
- T12n 12-pin connector
- T16m 16-pin connector

- (352) Parking aid ground connection (in rear bumper wiring harness)
- (X68) Parking aid connection (in rear bumper wiring harness)

- ws = white
- sw = black
- ro = red
- rt = red
- br = brown
- gn = green
- bl = blue
- gr = grey
- li = lilac
- vi = lilac
- ge = yellow
- or = orange
- rs = pink

15K1-076030515



Right front parking aid sensor, Right front center parking aid sensor, Left front center parking aid sensor, Left front parking aid sensor, Front parking aid warning buzzer, Parking aid control module

- G252 Right front parking aid sensor
- G253 Right front center parking aid sensor
- G254 Left front center parking aid sensor
- G255 Left front parking aid sensor
- H22 Front parking aid warning buzzer
- J446 Parking aid control module, behind the instrument panel, left
- T3bi 3-pin connector
- T3bj 3-pin connector
- T3bk 3-pin connector
- T3bl 3-pin connector
- T8w 8-pin connector, near the left headlamp
- T12v 12-pin connector

- 348 Parking aid ground connection (in front bumper wiring harness)
- X65 Parking aid connection (in front bumper wiring harness)

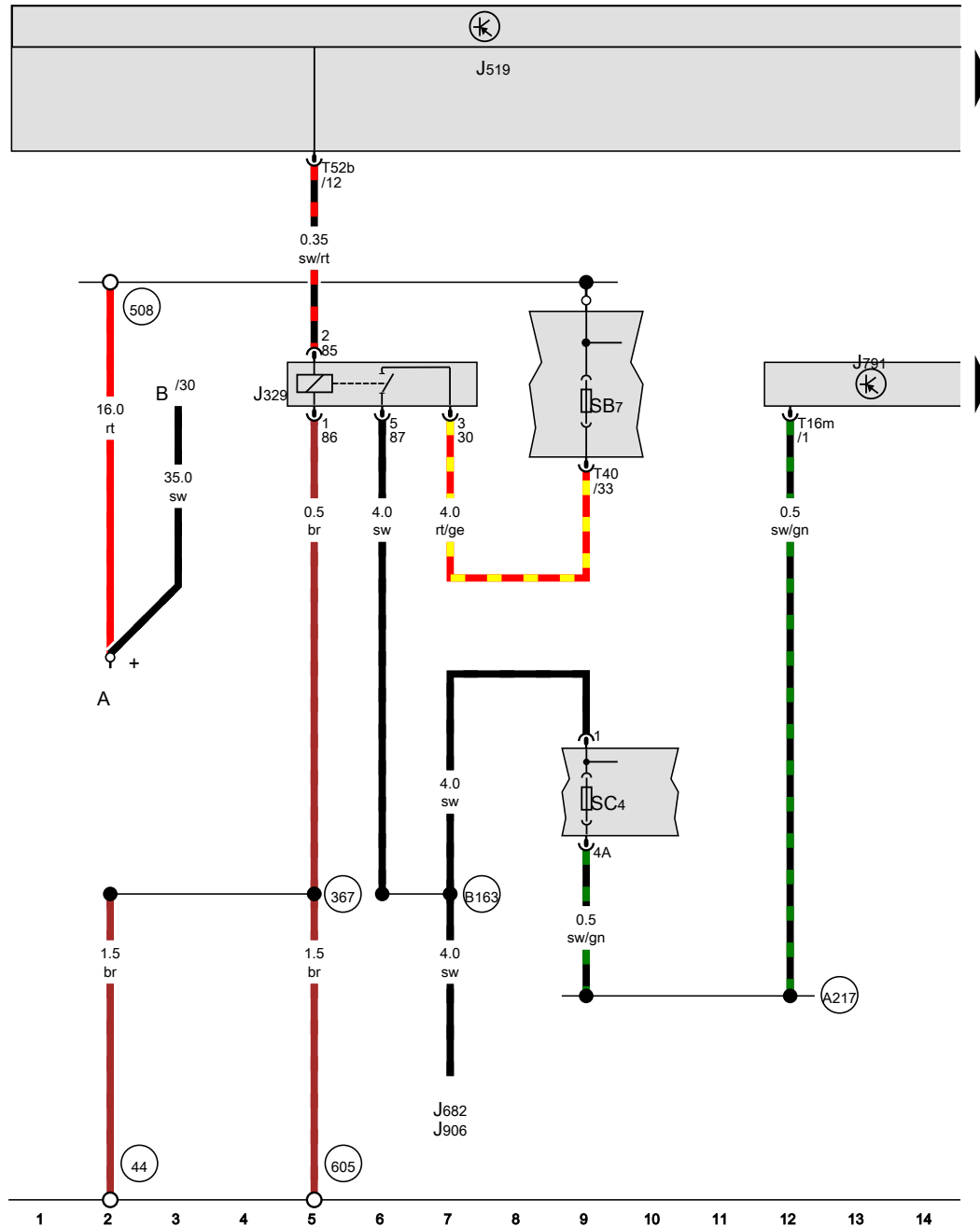
- ws = white
- sw = black
- ro = red
- rt = red
- br = brown
- gn = green
- bl = blue
- gr = grey
- li = lilac
- vi = lilac
- ge = yellow
- or = orange
- rs = pink

15K1-0760405151



**Parking distance control, with park assist**

from November 2009

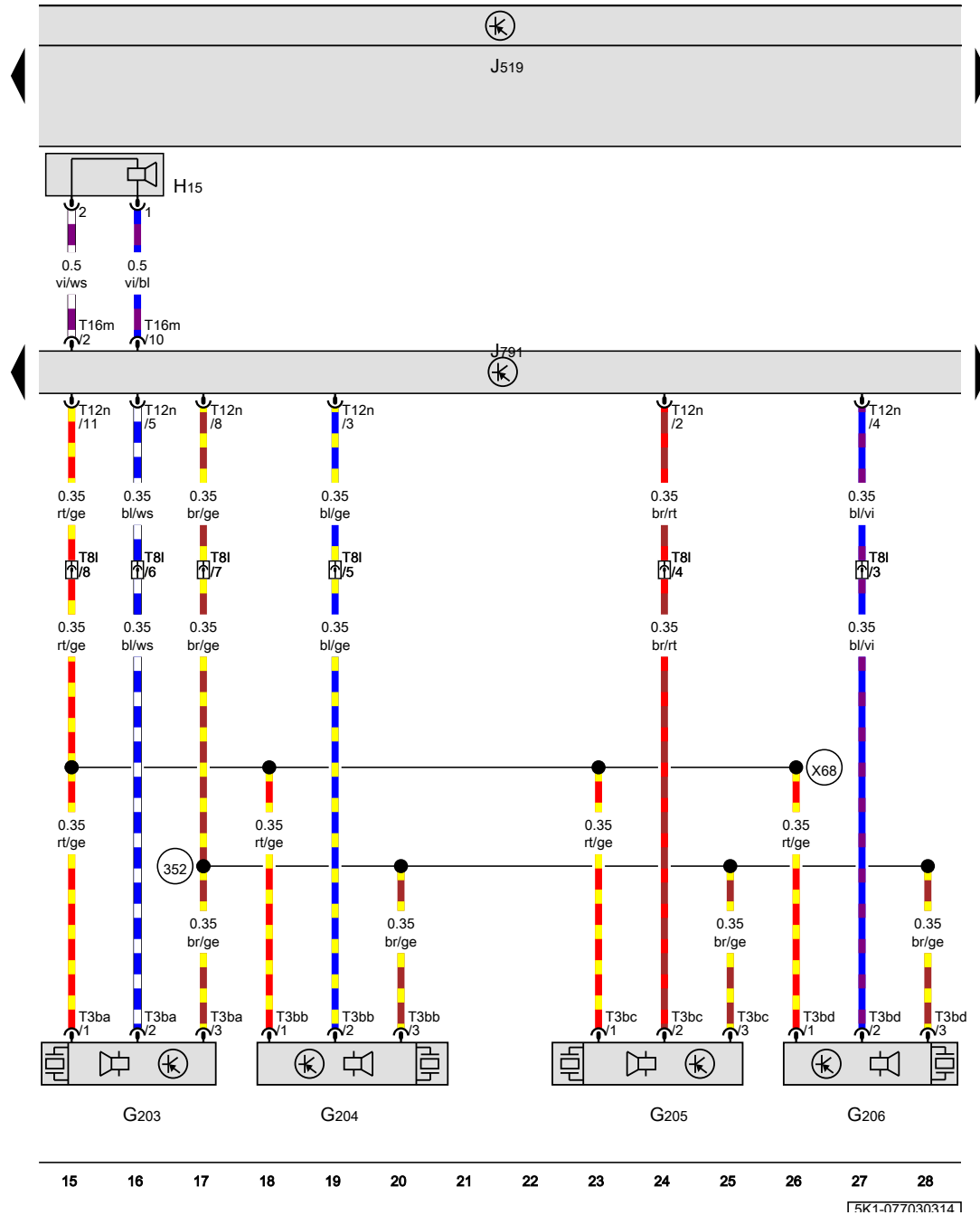


Terminal 15 power supply relay, Parallel parking assistance control module, Fuse 4 (on fuse panel C), Fuse 7 (on fuse panel B)

- A Battery
- B Starter
- J329 Terminal 15 power supply relay
- J519 Vehicle electrical control module system
- J682 Terminal 50 power supply relay
- J791 Parallel parking assistance control module, behind the instrument panel, left
- J906 Starter relay 1
- SC4 Fuse 4 (on fuse panel C)
- SB7 Fuse 7 (on fuse panel B)
- T16m 16-pin connector
- T40 40-pin connector
- T52b 52-pin connector
- 44 Ground connection on A-pillar, lower left
- 367 Ground connection 2 (in main wiring harness)
- 508 Terminal 30 threaded connection (on E-box)
- 605 Ground connection on upper steering column
- A217 Positive connection 8 (15a) (in instrument panel wiring harness)
- B163 Positive connection 1 (15) (in interior wiring harness)

- ws = white
- sw = black
- ro = red
- rt = red
- br = brown
- gn = green
- bl = blue
- gr = grey
- li = lilac
- vi = lilac
- ge = yellow
- or = orange
- rs = pink

15K1-0770203141



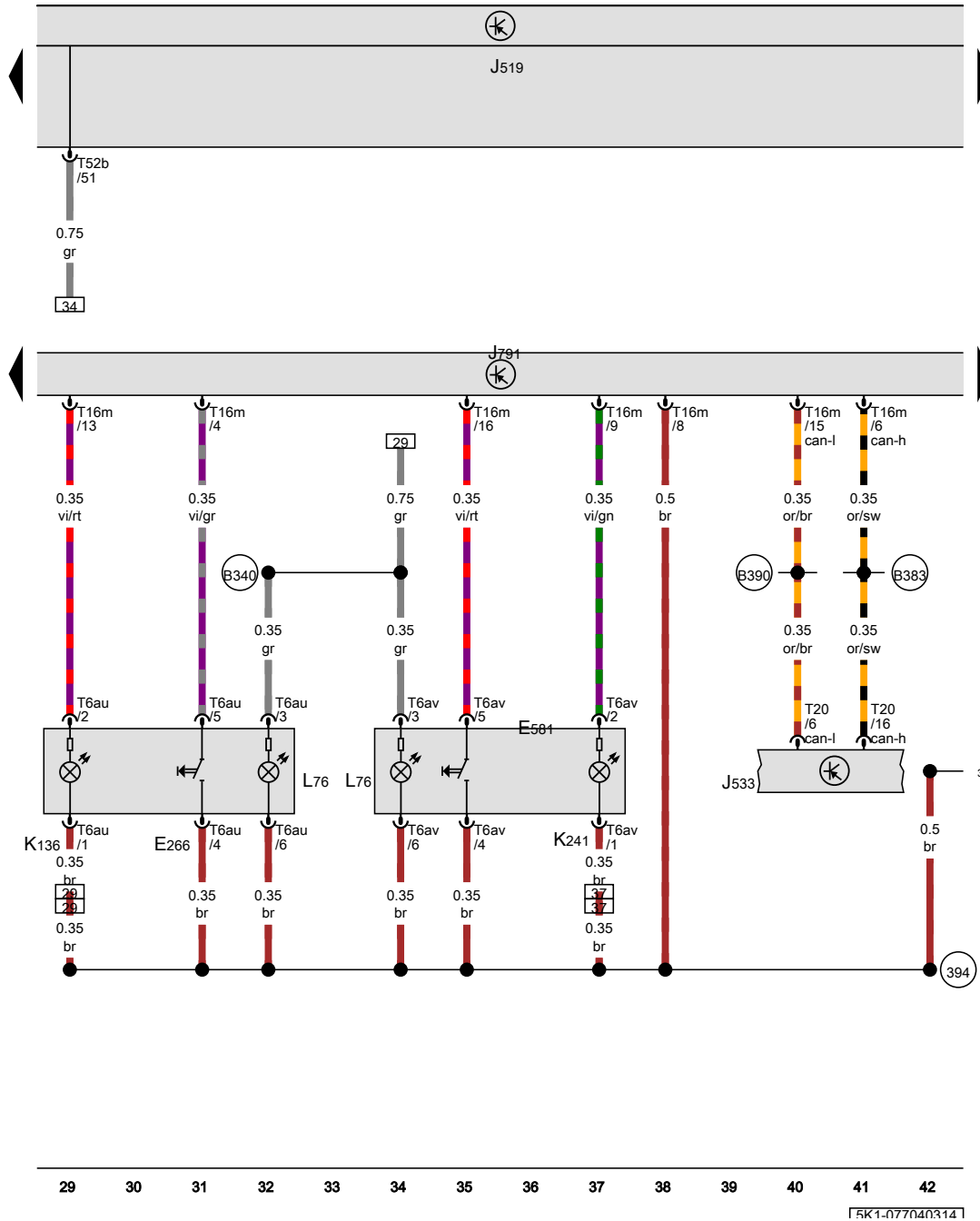
Left rear parking aid sensor, Left rear center parking aid sensor, Right rear center parking aid sensor, Right rear parking aid sensor, Rear parking aid warning buzzer, Parallel parking assistance control module

- G203 Left rear parking aid sensor
- G204 Left rear center parking aid sensor
- G205 Right rear center parking aid sensor
- G206 Right rear parking aid sensor
- H15 Rear parking aid warning buzzer
- J519 Vehicle electrical control module system
- J791 Parallel parking assistance control module, behind the instrument panel, left
- T3ba 3-pin connector
- T3bb 3-pin connector
- T3bc 3-pin connector
- T3bd 3-pin connector
- T8I 8-pin connector, behind the right rear bumper
- T12n 12-pin connector
- T16m 16-pin connector

352 Parking aid ground connection (in rear bumper wiring harness)

X68 Parking aid connection (in rear bumper wiring harness)

- ws = white
- sw = black
- ro = red
- rt = red
- br = brown
- gn = green
- bl = blue
- gr = grey
- li = lilac
- vi = lilac
- ge = yellow
- or = orange
- rs = pink



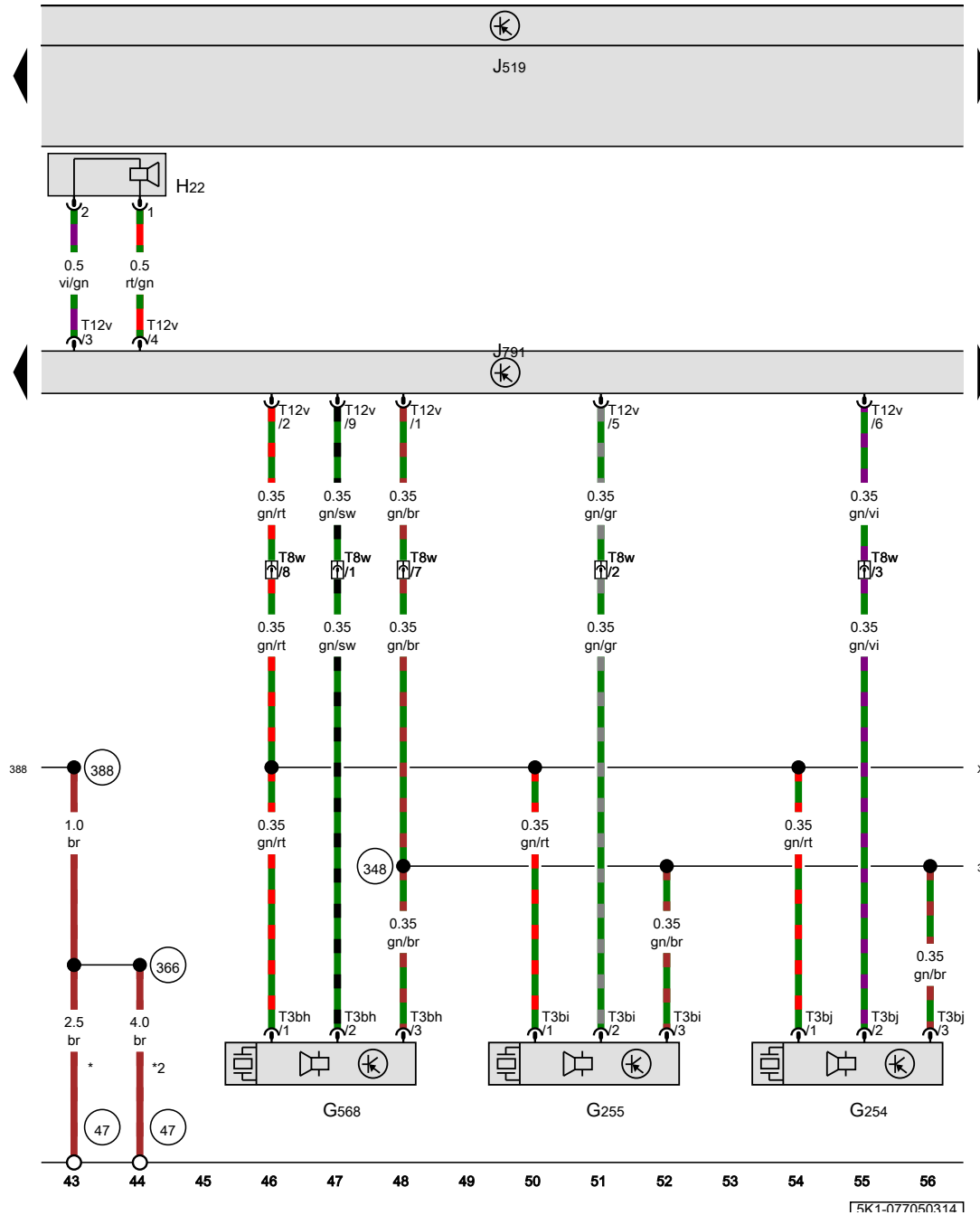
**Parking aid button, Parallel parking assistance button, Data bus on board diagnostic interface, Parallel parking assistance control module**

- E266 Parking aid button
- E581 Parallel parking assistance button
- J519 Vehicle electrical control module system
- J533 Data bus on board diagnostic interface, in the left footwell, near the center console
- J791 Parallel parking assistance control module, behind the instrument panel, left
- K136 Parking aid indicator lamp
- K241 Parallel parking assistance indicator lamp
- L76 Push button illumination bulb
- T6au 6-pin connector
- T6av 6-pin connector
- T16m 16-pin connector
- T20 20-pin connector
- T52b 52-pin connector

- 388 Ground connection 23 (in main wiring harness)
- 394 Ground connection 29 (in main wiring harness)
- B340 Connection 58d (in main wiring harness) 1
- B383 Powertrain CAN bus high connection 1 (in main wiring harness)
- B390 Powertrain CAN bus low connection 1 (in main wiring harness)

- ws = white
- sw = black
- ro = red
- rt = red
- br = brown
- gn = green
- bl = blue
- gr = grey
- li = lilac
- vi = lilac
- ge = yellow
- or = orange
- rs = pink





**Left front center parking aid sensor, Left front parking aid sensor, Left front parallel parking assistance sensor, Front parking aid warning buzzer, Parallel parking assistance control module**

- G254 Left front center parking aid sensor
- G255 Left front parking aid sensor
- G568 Left front parallel parking assistance sensor
- H22 Front parking aid warning buzzer
- J519 Vehicle electrical control module system
- J791 Parallel parking assistance control module, behind the instrument panel, left
- T3bh 3-pin connector
- T3bi 3-pin connector
- T3bj 3-pin connector
- T8w 8-pin connector, near the left headlamp
- T12v 12-pin connector

- 47 Ground connection in right front footwell
- 348 Parking aid ground connection (in front bumper wiring harness)
- 366 Ground connection 1 (in main wiring harness)
- 388 Ground connection 23 (in main wiring harness)
- X65 Parking aid connection (in front bumper wiring harness)
- \* Only for vehicles without Start/Stop system
- \*2 Only for vehicles with Start/Stop system

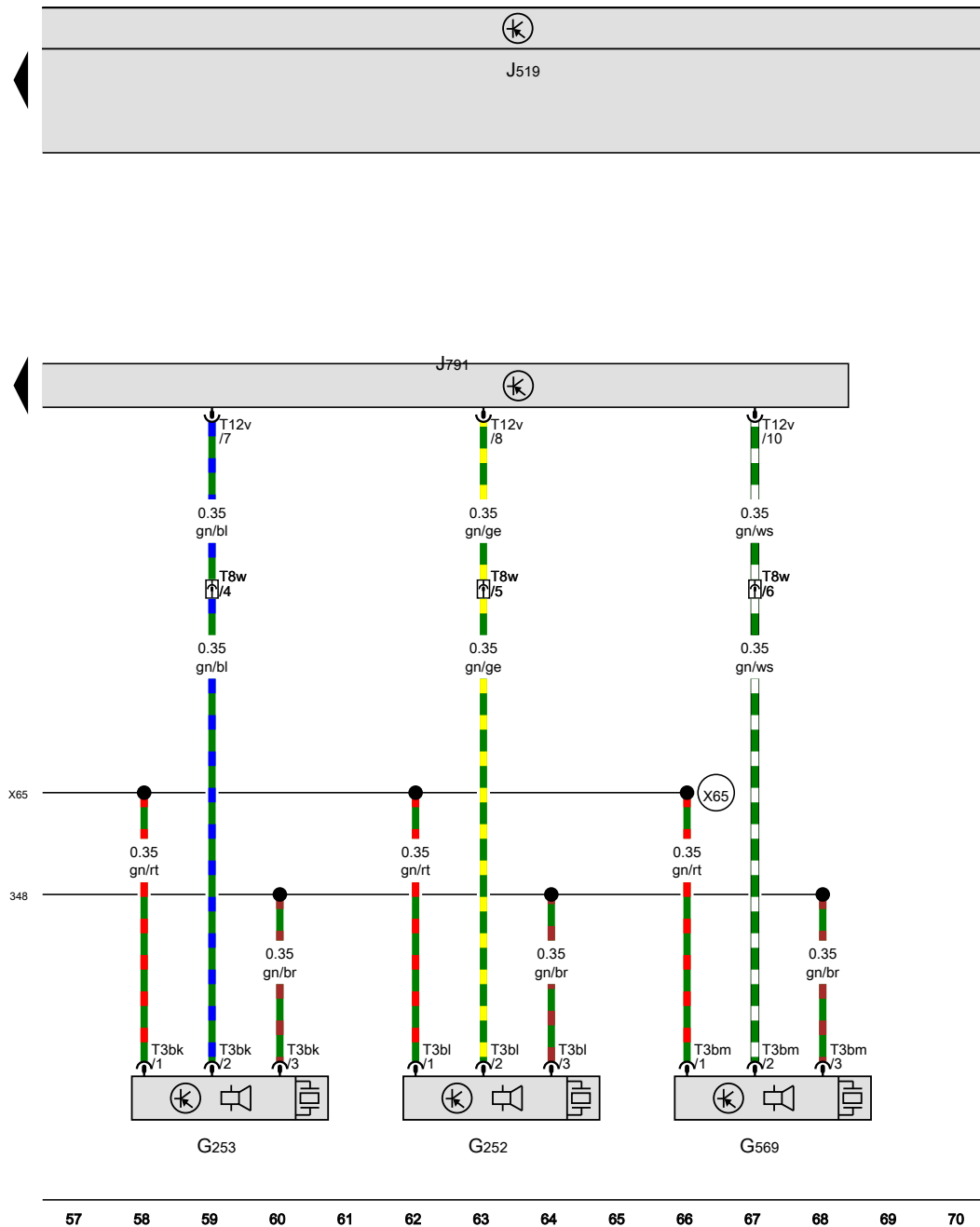
- ws = white
- sw = black
- ro = red
- rt = red
- br = brown
- gn = green
- bl = blue
- gr = grey
- li = lilac
- vi = lilac
- ge = yellow
- or = orange
- rs = pink

15K1-077050314

Right front parking aid sensor, Right front center parking aid sensor, Right front parallel parking assistance sensor, Parallel parking assistance control module

- G252 Right front parking aid sensor
- G253 Right front center parking aid sensor
- G569 Right front parallel parking assistance sensor
- J519 Vehicle electrical control module system
- J791 Parallel parking assistance control module, behind the instrument panel, left
- T3bk 3-pin connector
- T3bl 3-pin connector
- T3bm 3-pin connector
- T8w 8-pin connector, near the left headlamp
- T12v 12-pin connector

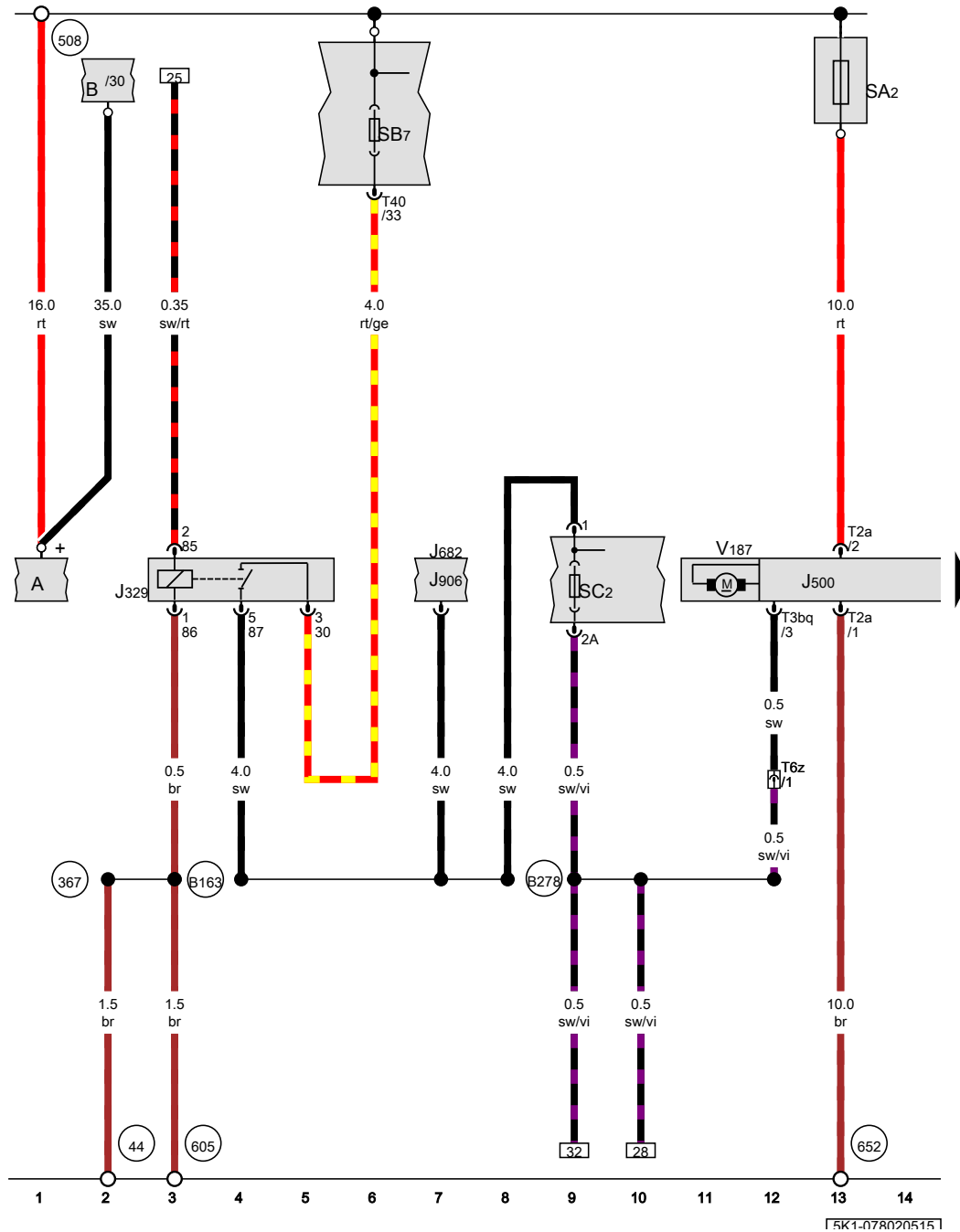
- (348) Parking aid ground connection (in front bumper wiring harness)
- (X65) Parking aid connection (in front bumper wiring harness)



- ws = white
- sw = black
- ro = red
- rt = red
- br = brown
- gn = green
- bl = blue
- gr = grey
- li = lilac
- vi = lilac
- ge = yellow
- or = orange
- rs = pink

15K1-077060314

**Power steering, electromechanical , (1N3),(QZ0)**  
from September 2009



Terminal 15 power supply relay, Power steering control module, Fuse 2 (on fuse panel C), Fuse 2 (on fuse panel A), Fuse 7 (on fuse panel B), Electromechanical power steering motor

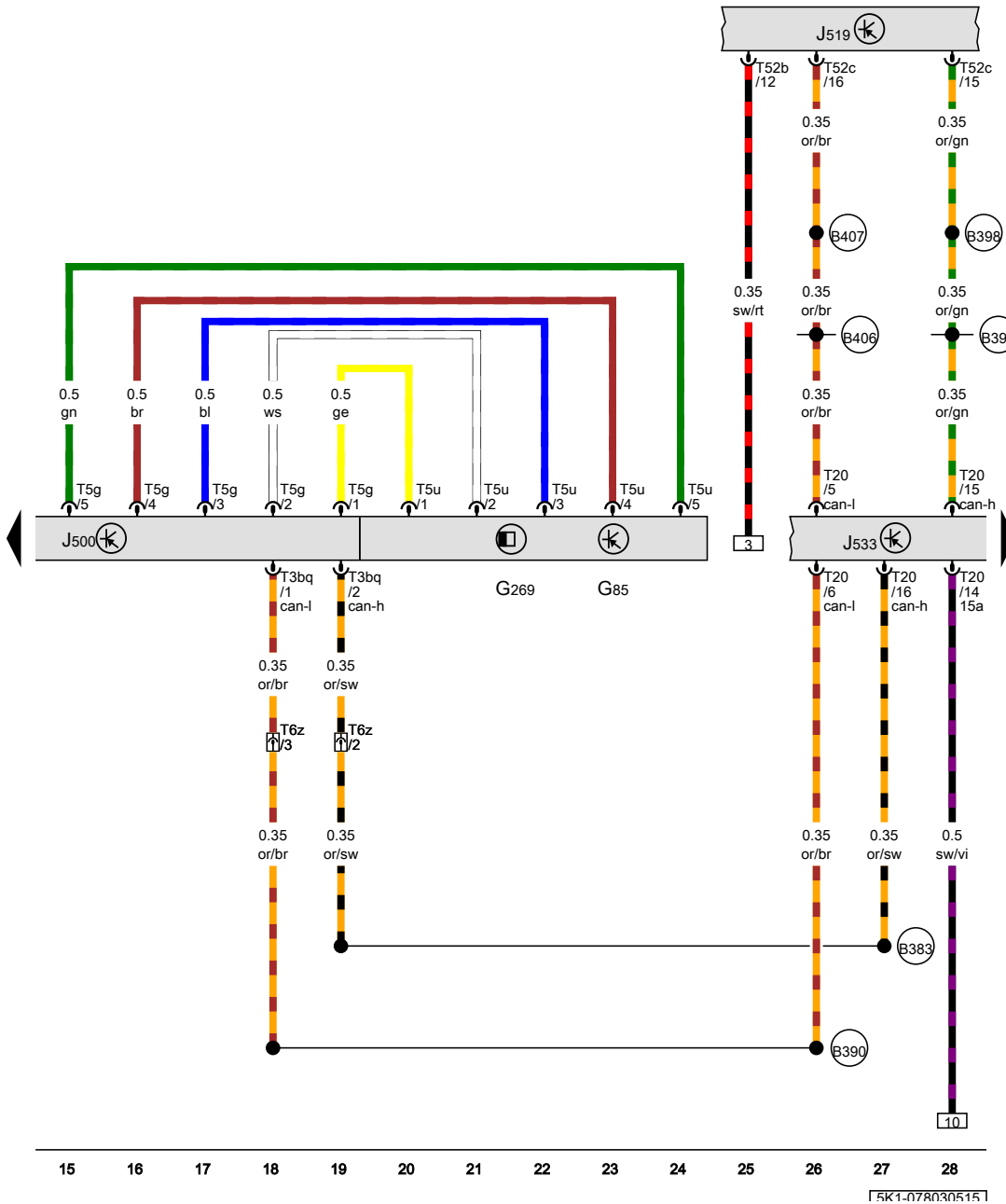
- A Battery
- B Starter
- J329 Terminal 15 power supply relay
- J500 Power steering control module, on the front axle support
- J682 Terminal 50 power supply relay
- J906 Starter relay 1
- SC2 Fuse 2 (on fuse panel C)
- SA2 Fuse 2 (on fuse panel A)
- SB7 Fuse 7 (on fuse panel B)
- T2a Double connector
- T3bq 3-pin connector
- T6z 6-pin connector, near the left headlamp
- T40 40-pin connector
- V187 Electromechanical power steering motor

- (44) Ground connection on A-pillar, lower left
- (367) Ground connection 2 (in main wiring harness)
- (508) Terminal 30 threaded connection (on E-box)
- (605) Ground connection on upper steering column
- (652) Transmission/engine ground connection
- (B163) Positive connection 1 (15) (in interior wiring harness)
- (B278) Positive connection 2 (15a) (in main wiring harness)

- ws = white
- sw = black
- ro = red
- rt = red
- br = brown
- gn = green
- bl = blue
- gr = grey
- li = lilac
- vi = lilac
- ge = yellow
- or = orange
- rs = pink

15K1-0780205151

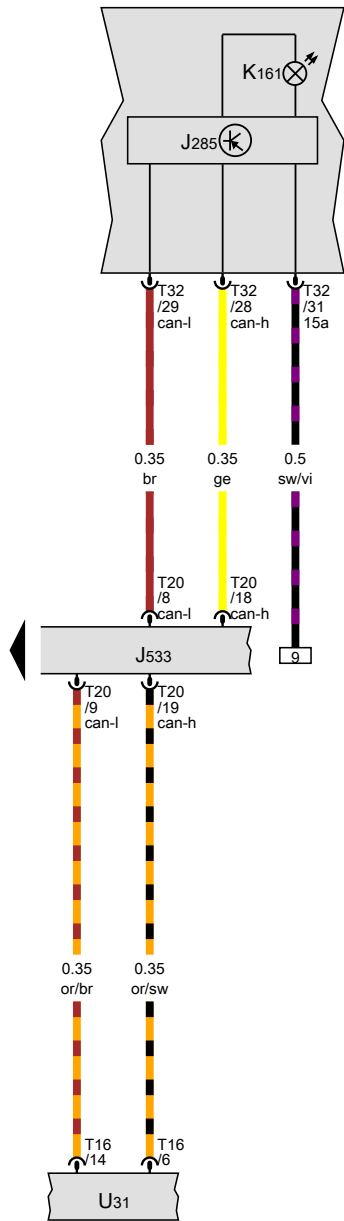
Steering angle sensor, Steering torque sensor, Power steering control module, Data bus on board diagnostic interface



- G85 Steering angle sensor
- G269 Steering torque sensor
- J500 Power steering control module, on the front axle support
- J519 Vehicle electrical control module system
- J533 Data bus on board diagnostic interface, in the left footwell, near the center console
- T3bq 3-pin connector
- T5g 5-pin connector
- T5u 5-pin connector
- T6z 6-pin connector, near the left headlamp
- T20 20-pin connector
- T52b 52-pin connector
- T52c 52-pin connector

- (B383) Powertrain CAN bus high connection 1 (in main wiring harness)
- (B390) Powertrain CAN bus low connection 1 (in main wiring harness)
- (B397) Comfort system CAN bus high connection 1 (in main wiring harness)
- (B398) Comfort system CAN bus high connection 2 (in main wiring harness)
- (B406) Comfort system CAN bus low connection 1 (in main wiring harness)
- (B407) Comfort system CAN bus low connection 2 (in main wiring harness)

- ws = white
- sw = black
- ro = red
- rt = red
- br = brown
- gn = green
- bl = blue
- gr = grey
- li = lilac
- vi = lilac
- ge = yellow
- or = orange
- rs = pink



**Instrument cluster control module, Data bus on board diagnostic interface, Electromechanical power steering indicator lamp**

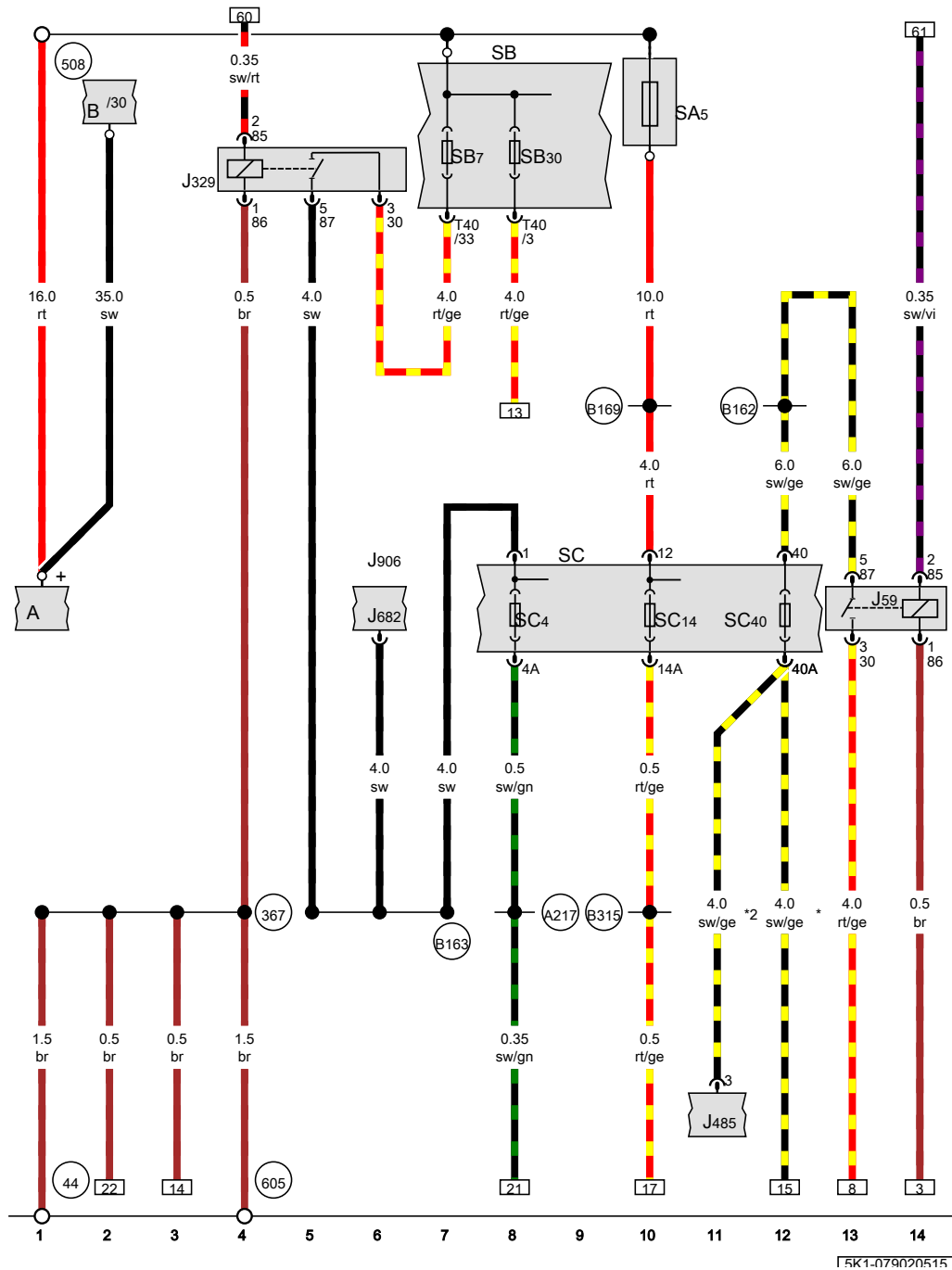
- J285 Instrument cluster control module
- J533 Data bus on board diagnostic interface, in the left footwell, near the center console
- K161 Electromechanical power steering indicator lamp
- T16 16-pin connector
- T20 20-pin connector
- T32 32-pin connector
- U31 Diagnostic connection

- ws = white
- sw = black
- ro = red
- rt = red
- br = brown
- gn = green
- bl = blue
- gr = grey
- li = lilac
- vi = lilac
- ge = yellow
- or = orange
- rs = pink

29 30 31 32 33 34 35 36 37 38 39 40 41 42

[5K1-078040515]

Climatic , (KH6),(9AP)  
from November 2009



Load reduction relay, Terminal 15 power supply relay, Fuse panel B, Fuse panel C

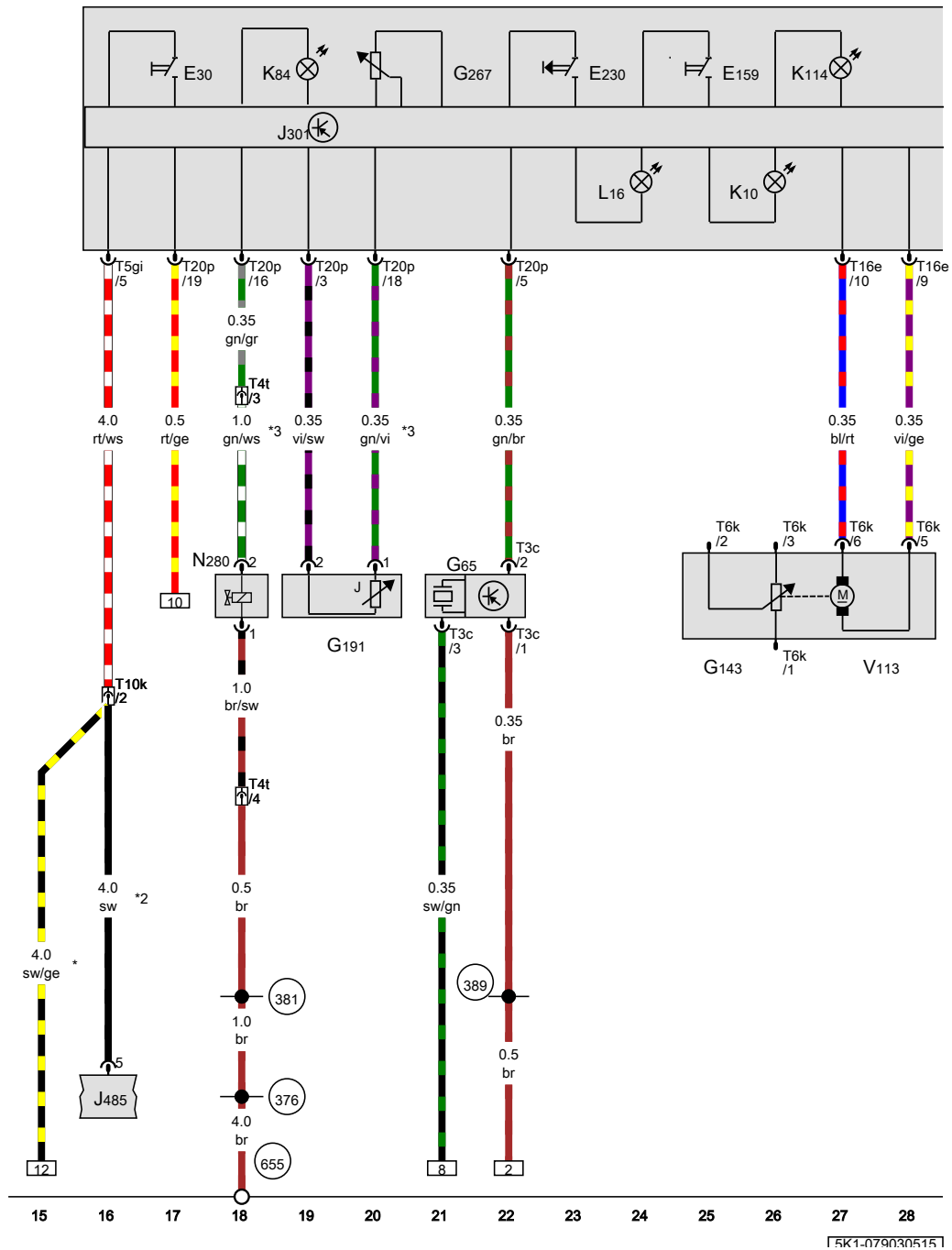
- A Battery
- B Starter
- J59 Load reduction relay
- J329 Terminal 15 power supply relay
- J485 Auxiliary heater operation relay
- J682 Terminal 50 power supply relay
- J906 Starter relay 1
- SA5 Fuse 5 (on fuse panel A)
- SB Fuse panel B
- SC Fuse panel C
- SC4 Fuse 4 (on fuse panel C)
- SB7 Fuse 7 (on fuse panel B)
- SC14 Fuse 14 (on fuse panel C)
- SB30 Fuse 30 (on fuse panel B)
- SC40 Fuse 40 (on fuse panel C)
- T40 40-pin connector

- 44 Ground connection on A-pillar, lower left
- 367 Ground connection 2 (in main wiring harness)
- 508 Terminal 30 threaded connection (on E-box)
- 605 Ground connection on upper steering column
- A217 Positive connection 8 (15a) (in instrument panel wiring harness)
- B162 Connection 75a (in interior wiring harness)
- B163 Positive connection 1 (15) (in interior wiring harness)
- B169 Positive connection 1 (30) (in interior wiring harness)
- B315 Positive connection 1 (30a) (in main wiring harness)
- \* Only for vehicles without auxiliary water heater
- \*2 Only for vehicles with auxiliary water heater

- ws = white
- sw = black
- ro = red
- rt = red
- br = brown
- gn = green
- bl = blue
- gr = grey
- li = lilac
- vi = lilac
- ge = yellow
- or = orange
- rs = pink

15K1-0790205151





High pressure sensor, Center vent temperature sensor, A/C control module, A/C compressor regulator valve, Recirculation door motor

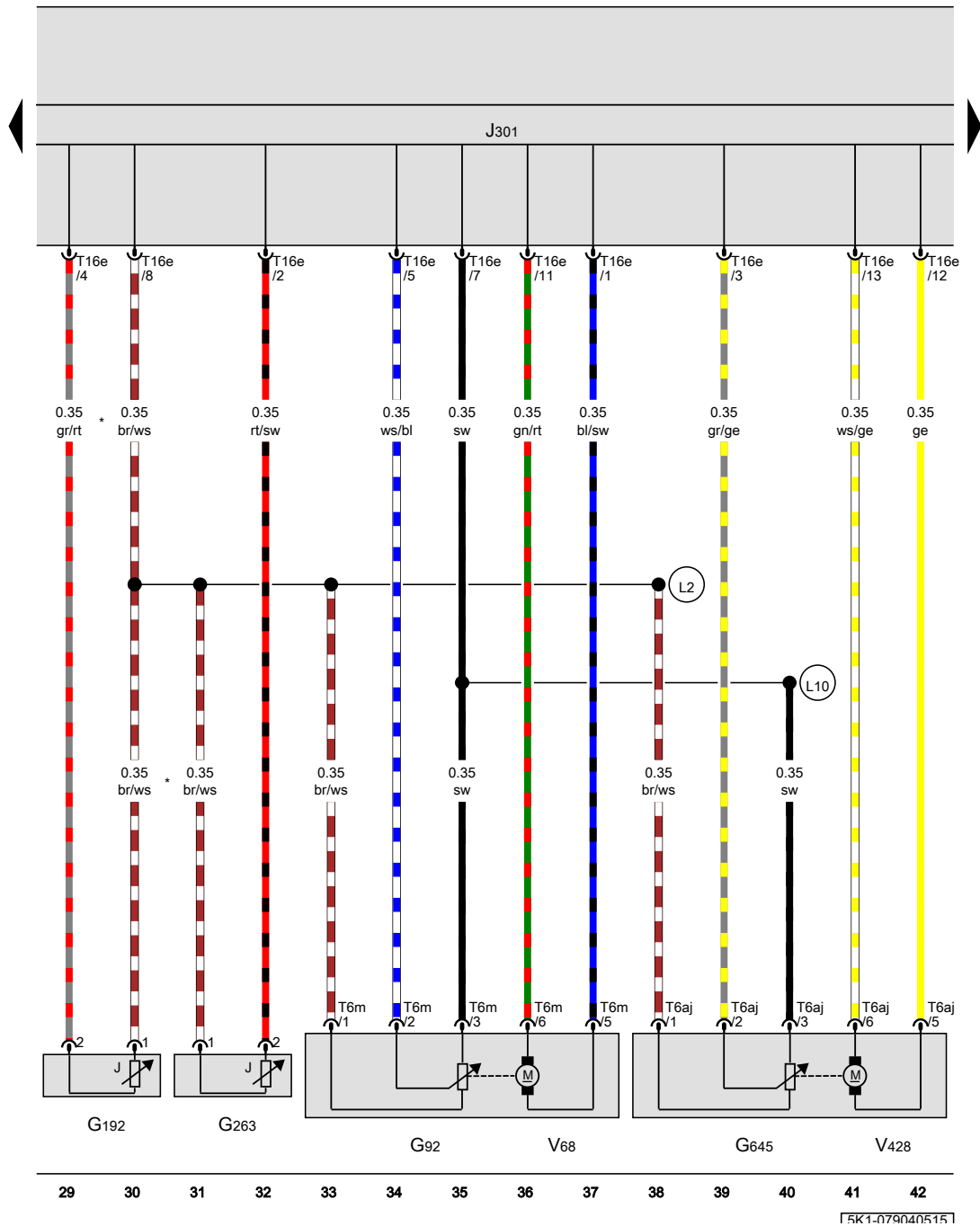
- E30 A/C switch
- E159 Fresh air/recirculation door switch
- E230 Rear window defogger button
- G65 High pressure sensor
- G143 Recirculation door motor position sensor
- G191 Center vent temperature sensor
- G267 Temperature selector knob potentiometer
- J301 A/C control module, in the instrument panel, center
- J485 Auxiliary heater operation relay
- K10 Rear window defogger indicator lamp
- K84 A/C system indicator lamp
- K114 Fresh air and recirculation mode indicator lamp
- L16 Fresh air control illumination bulb
- N280 A/C compressor regulator valve
- T3c 3-pin connector
- T4t 4-pin connector, near the starter
- T5gi 5-pin connector
- T6k 6-pin connector
- T10k 10-pin connector, behind the instrument panel, right
- T16e 16-pin connector
- T20p 20-pin connector
- V113 Recirculation door motor

- 376 Ground connection 11 (in main wiring harness)
- 381 Ground connection 16 (in main wiring harness)
- 389 Ground connection 24 (in main wiring harness)
- 655 Ground connection on left headlamp

- \* Only for vehicles without auxiliary water heater
- \*2 Only for vehicles with auxiliary water heater
- \*3 Through October 2010

- ws = white
- sw = black
- ro = red
- rt = red
- br = brown
- gn = green
- bl = blue
- gr = grey
- li = lilac
- vi = lilac
- ge = yellow
- or = orange
- rs = pink

15K1-0790305151



Footwell vent temperature sensor, Evaporator vent temperature sensor, A/C control module, Temperature control door motor, Air distribution door motor

- G92 Temperature regulator door motor position sensor
- G192 Footwell vent temperature sensor
- G263 Evaporator vent temperature sensor
- G645 Air distribution door motor position sensor
- J301 A/C control module, in the instrument panel, center
- T6aj 6-pin connector
- T6m 6-pin connector
- T16e 16-pin connector
- V68 Temperature control door motor
- V428 Air distribution door motor

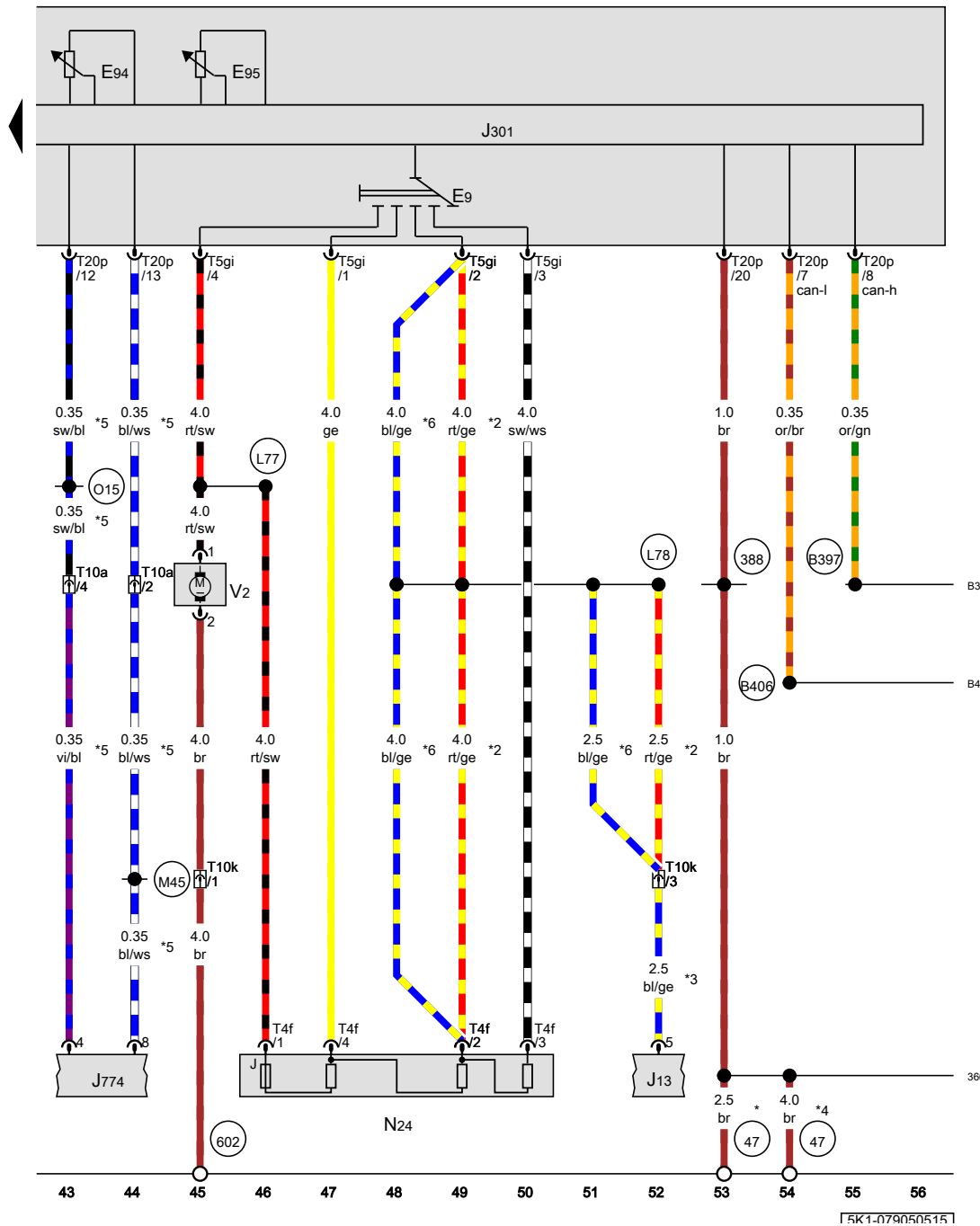
(L2) Connection (in A/C system wiring harness)

(L10) Connection 2 (in A/C system wiring harness)

\* Through October 2010

- ws = white
- sw = black
- ro = red
- rt = red
- br = brown
- gn = green
- bl = blue
- gr = grey
- li = lilac
- vi = lilac
- ge = yellow
- or = orange
- rs = pink

15K1-0790405151



Fresh air blower switch, A/C control module, Fresh air blower series resistor with fuse, Fresh air blower

- E9 Fresh air blower switch
- E94 Heated driver seat adjuster
- E95 Heated front passenger seat adjuster
- J13 Fresh air blower relay
- J301 A/C control module, in the instrument panel, center
- J774 Front seat heating control module
- N24 Fresh air blower series resistor with fuse
- T4f 4-pin connector
- T5gi 5-pin connector
- T10a 10-pin connector, under the driver seat
- T10k 10-pin connector, behind the instrument panel, right
- T20p 20-pin connector
- V2 Fresh air blower

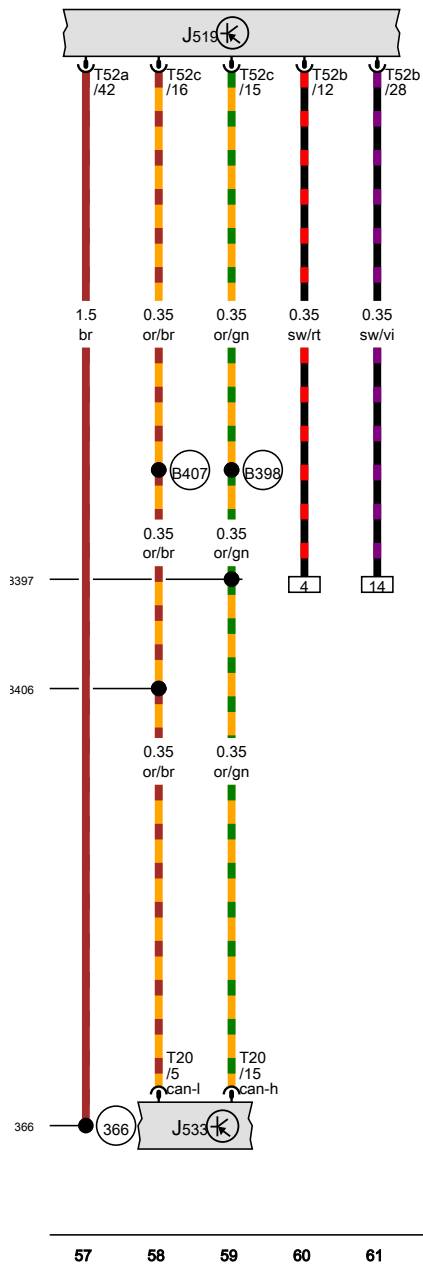
- (47) Ground connection in right front footwell
- (366) Ground connection 1 (in main wiring harness)
- (388) Ground connection 23 (in main wiring harness)
- (602) Ground connection in left front footwell
- (B397) Comfort system CAN bus high connection 1 (in main wiring harness)
- (B406) Comfort system CAN bus low connection 1 (in main wiring harness)
- (L77) Connection (in fresh air blower wiring harness)
- (L78) Connection 1 (in fresh air blower wiring harness)
- (M45) Connection 5 (in driver seat wiring harness)
- (O15) Connection 4 (in heated seats wiring harness)

- ws = white
- bl = black
- ro = red
- rt = red
- br = brown
- gn = green
- bl = blue
- gr = grey
- li = lilac
- vi = lilac
- ge = yellow
- or = orange
- rs = pink

- \* Only for vehicles without Start/Stop system
- \*2 Through October 2010
- \*3 Only for vehicles with auxiliary water heater
- \*4 Only for vehicles with Start/Stop system
- \*5 Only for vehicles with an auxiliary heater
- \*6 from November 2010

15K1-0790505151

Vehicle electrical control module system, Data bus on board diagnostic interface



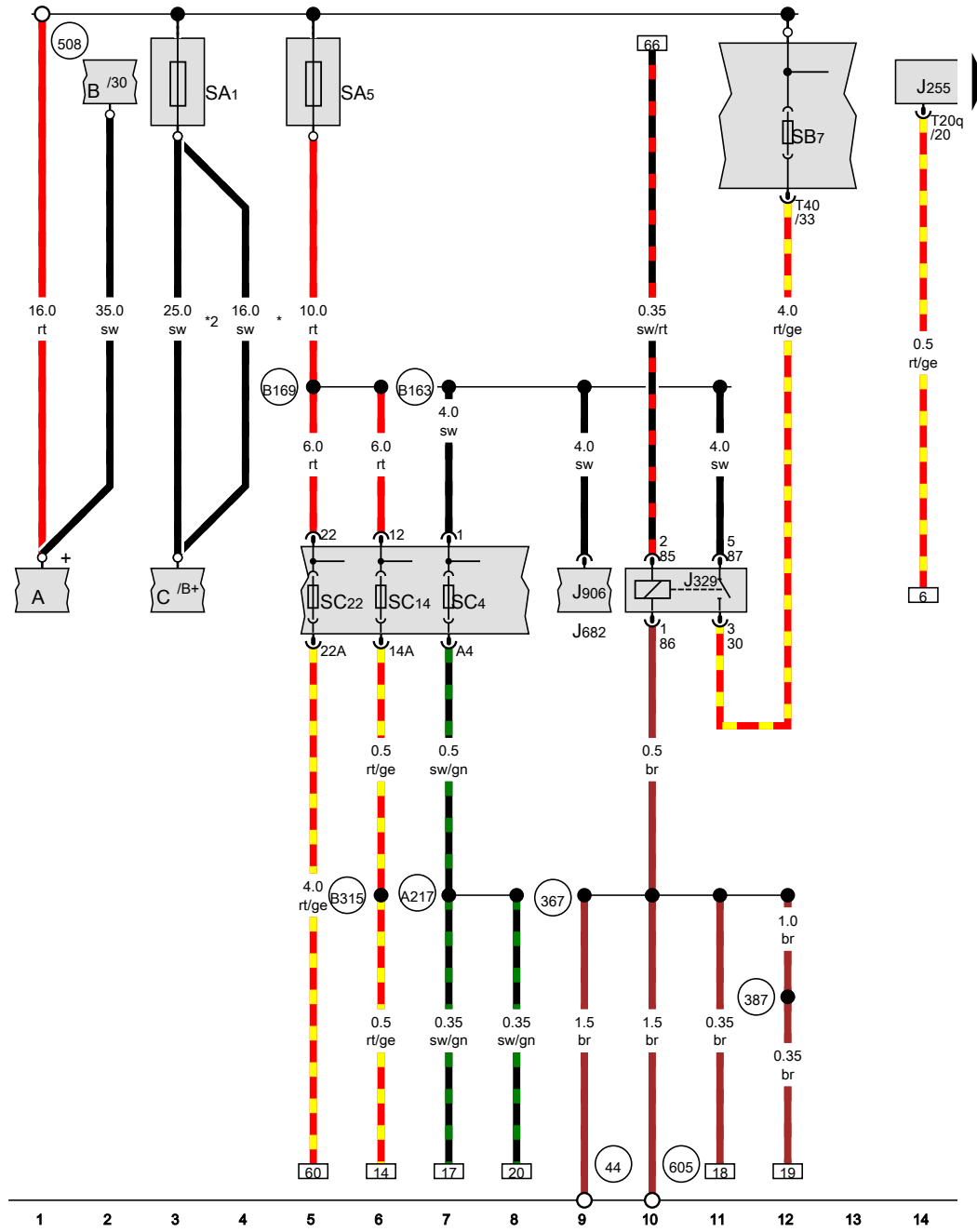
- J519 Vehicle electrical control module system
- J533 Data bus on board diagnostic interface, in the left footwell, near the center console
- T20 20-pin connector
- T52a 52-pin connector
- T52b 52-pin connector
- T52c 52-pin connector

- 366 Ground connection 1 (in main wiring harness)
- B397 Comfort system CAN bus high connection 1 (in main wiring harness)
- B398 Comfort system CAN bus high connection 2 (in main wiring harness)
- B406 Comfort system CAN bus low connection 1 (in main wiring harness)
- B407 Comfort system CAN bus low connection 2 (in main wiring harness)

- ws = white
- sw = black
- ro = red
- rt = red
- br = brown
- gn = green
- bl = blue
- gr = grey
- li = lilac
- vi = lilac
- ge = yellow
- or = orange
- rs = pink

15K1-0790605151

**Climatronic , (9AK)**  
from November 2009



ГСК1-080020515

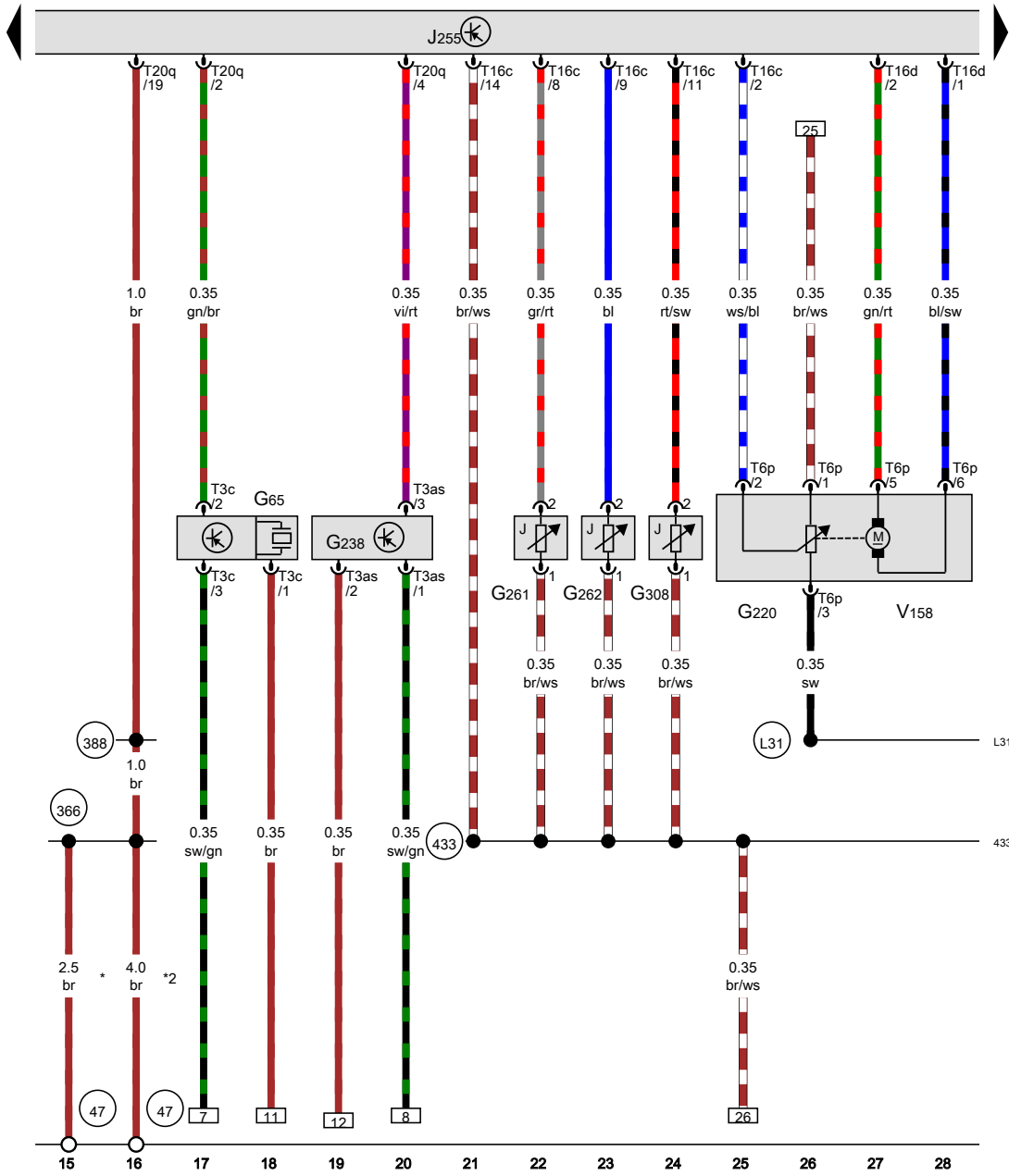
Climatronic control module, Terminal 15 power supply relay, Fuse 1 (on fuse panel A), Fuse 4 (on fuse panel C), Fuse 5 (on fuse panel A), Fuse 7 (on fuse panel B), Fuse 14 (on fuse panel C), Fuse 22 (on fuse panel C)

- A Battery
  - B Starter
  - C Generator
  - J255 Climatronic control module, behind the center console
  - J329 Terminal 15 power supply relay
  - J682 Terminal 50 power supply relay
  - J906 Starter relay 1
  - SA1 Fuse 1 (on fuse panel A)
  - SC4 Fuse 4 (on fuse panel C)
  - SA5 Fuse 5 (on fuse panel A)
  - SB7 Fuse 7 (on fuse panel B)
  - SC14 Fuse 14 (on fuse panel C)
  - SC22 Fuse 22 (on fuse panel C)
  - T20q 20-pin connector
  - T40 40-pin connector
- (44) Ground connection on A-pillar, lower left
  - (367) Ground connection 2 (in main wiring harness)
  - (387) Ground connection 22 (in main wiring harness)
  - (508) Terminal 30 threaded connection (on E-box)
  - (605) Ground connection on upper steering column
  - (A217) Positive connection 8 (15a) (in instrument panel wiring harness)
  - (B163) Positive connection 1 (15) (in interior wiring harness)
  - (B169) Positive connection 1 (30) (in interior wiring harness)
  - (B315) Positive connection 1 (30a) (in main wiring harness)

- ws = white
- sw = black
- ro = red
- rt = red
- br = brown
- gn = green
- bl = blue
- gr = grey
- li = lilac
- vi = lilac
- ge = yellow
- or = orange
- rs = pink

\* Only for vehicles with 90 A/120 A generator  
 \*2 Only for vehicles with a generator (140 A)

High pressure sensor, Air quality sensor, Climatronic control module, Left temperature control door motor



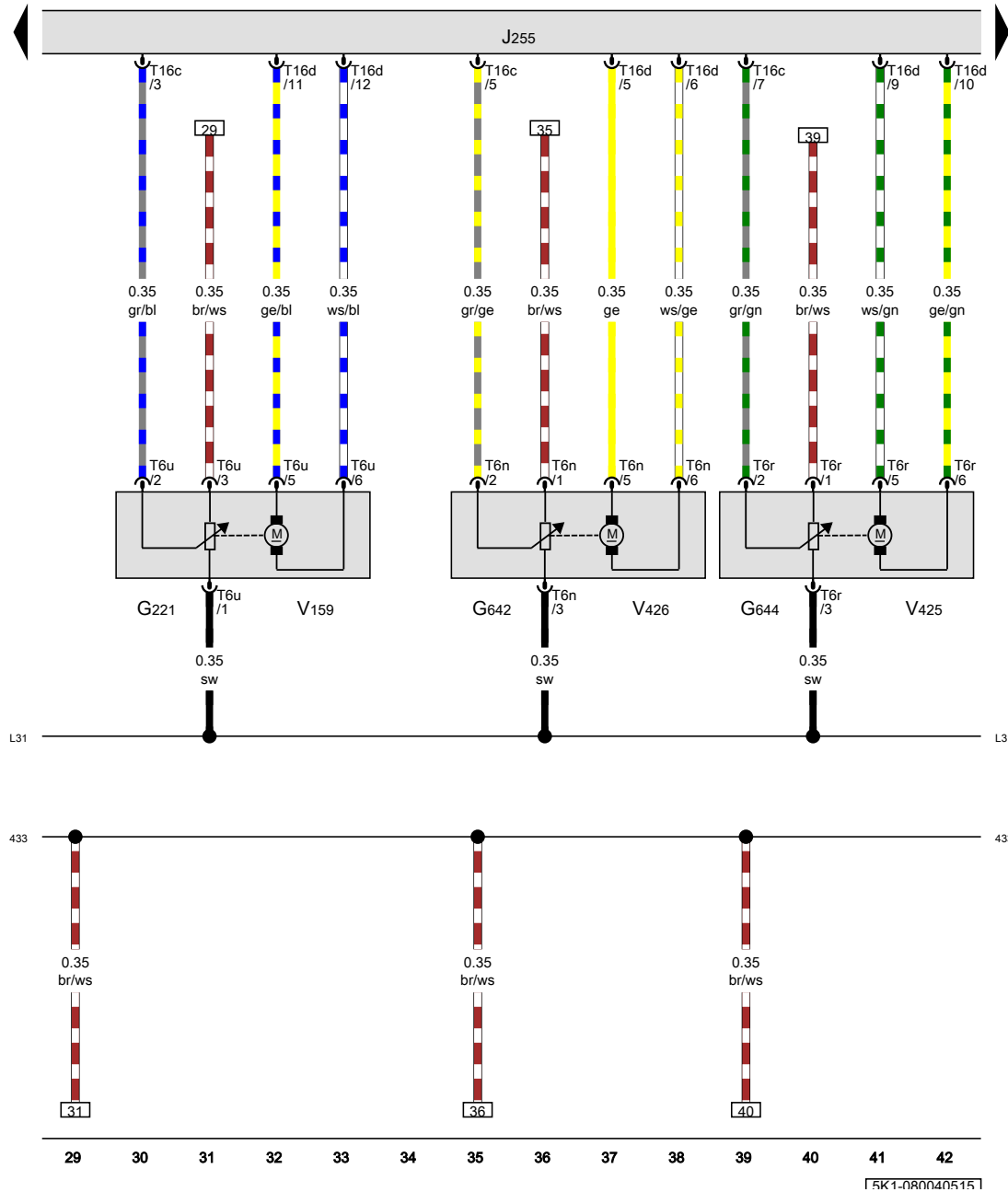
- G65 High pressure sensor
- G220 Left temperature control door motor
- G238 Air quality sensor
- G261 Left footwell vent temperature sensor
- G262 Right footwell vent temperature sensor
- G308 Evaporator temperature sensor
- J255 Climatronic control module, behind the center console
- T3as 3-pin connector
- T3c 3-pin connector
- T6p 6-pin connector
- T16c 16-pin connector
- T16d 16-pin connector
- T20q 20-pin connector
- V158 Left temperature control door motor

- (47) Ground connection in right front footwell
- (366) Ground connection 1 (in main wiring harness)
- (388) Ground connection 23 (in main wiring harness)
- (433) Sensor ground connection 2 (in Climatronic wiring harness)
- (L31) Connection (5 Volt) (in A/C system wiring harness)
- \* Only for vehicles without Start/Stop system
- \*2 Only for vehicles with Start/Stop system

- ws = white
- sw = black
- ro = red
- rt = red
- br = brown
- gn = green
- bl = blue
- gr = grey
- li = lilac
- vi = lilac
- ge = yellow
- or = orange
- rs = pink

15K1-080030515

Climatronic control module, Right temperature control door motor, Fresh air/recirculating air/back pressure door motor, Front air distribution door motor

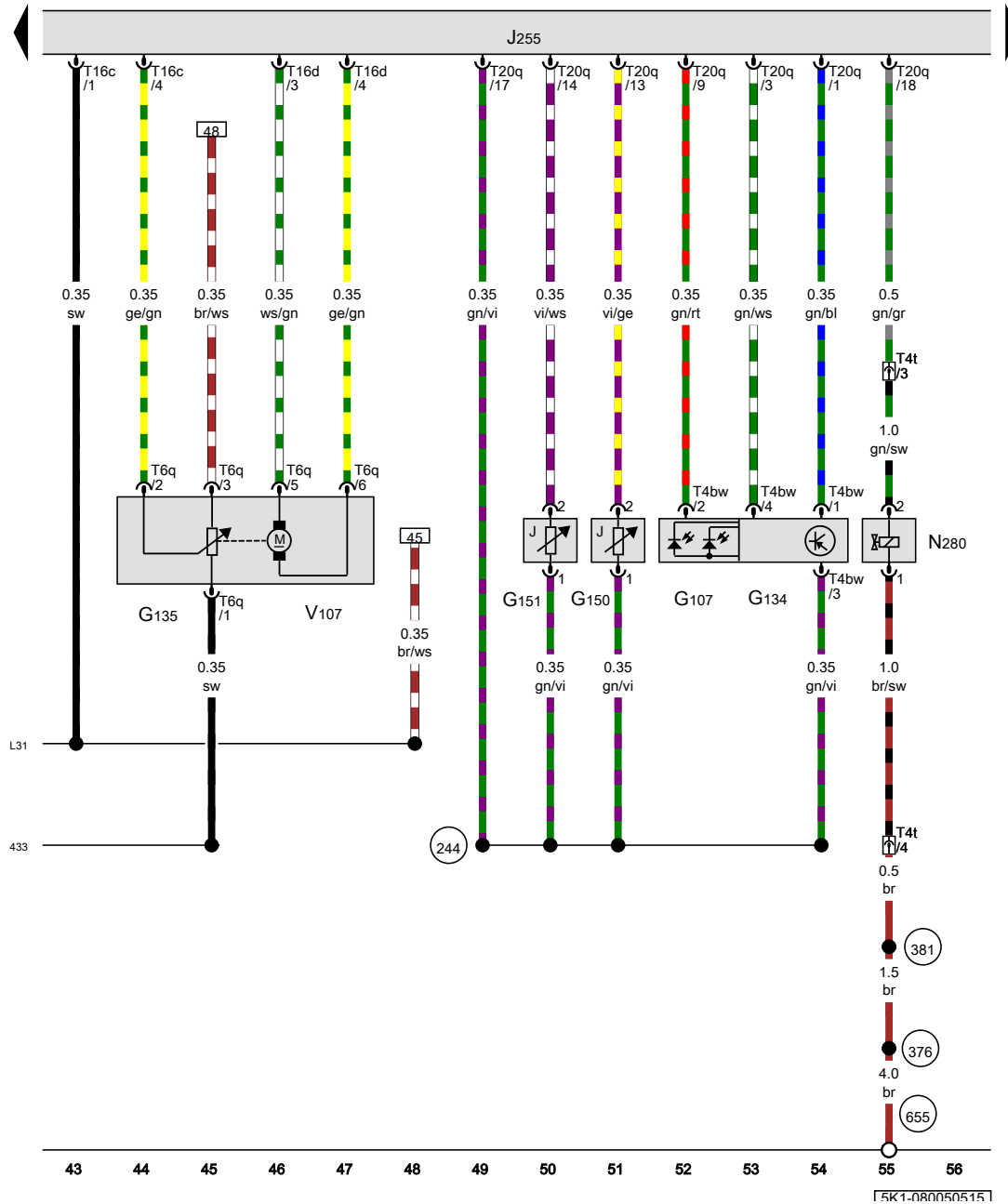


- G221 Right temperature door potentiometer/actuator
- G642 Front air distribution door motor position sensor
- G644 Fresh air/recirculating air/back pressure door motor position sensor
- J255 Climatronic control module, behind the center console
- T6n 6-pin connector
- T6r 6-pin connector
- T6u 6-pin connector
- T16c 16-pin connector
- T16d 16-pin connector
- V159 Right temperature control door motor
- V425 Fresh air/recirculating air/back pressure door motor
- V426 Front air distribution door motor
- 433 Sensor ground connection 2 (in Climatronic wiring harness)
- L31 Connection (5 Volt) (in A/C system wiring harness)

- ws = white
- sw = black
- ro = red
- rt = red
- br = brown
- gn = green
- bl = blue
- gr = grey
- li = lilac
- vi = lilac
- ge = yellow
- or = orange
- rs = pink

15K1-080040515





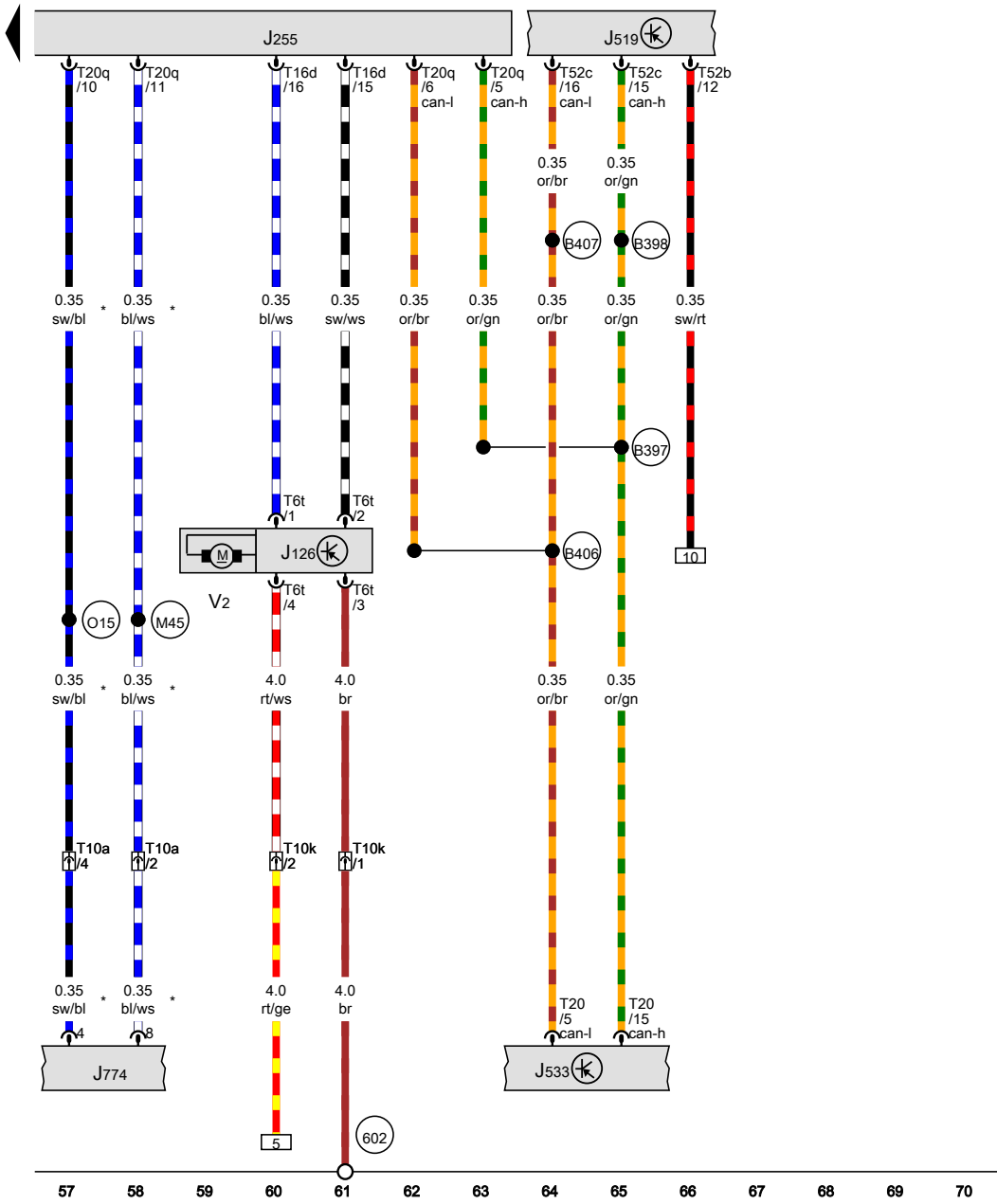
Sunlight photo sensor, Sunlight photo sensor 2, Left vent temperature sensor, Right vent temperature sensor, Climatronic control module, Defroster door motor

- G107 Sunlight photo sensor
- G134 Sunlight photo sensor 2
- G135 Defroster door motor position sensor
- G150 Left vent temperature sensor
- G151 Right vent temperature sensor
- J255 Climatronic control module, behind the center console
- N280 A/C compressor regulator valve
- T4bw 4-pin connector
- T4t 4-pin connector
- T6q 6-pin connector
- T16c 16-pin connector
- T16d 16-pin connector
- T20q 20-pin connector
- V107 Defroster door motor

- 244 Sensor ground connection (in Climatronic wiring harness)
- 376 Ground connection 11 (in main wiring harness)
- 381 Ground connection 16 (in main wiring harness)
- 433 Sensor ground connection 2 (in Climatronic wiring harness)
- 655 Ground connection on left headlamp
- L31 Connection (5 Volt) (in A/C system wiring harness)

- ws = white
- sw = black
- ro = red
- rt = red
- br = brown
- gn = green
- bl = blue
- gr = grey
- li = lilac
- vi = lilac
- ge = yellow
- or = orange
- rs = pink

15K1-080050515



Fresh air blower control module, Climatronic control module, Vehicle electrical control module system, Data bus on board diagnostic interface, Fresh air blower

- J126 Fresh air blower control module
- J255 Climatronic control module, behind the center console
- J519 Vehicle electrical control module system
- J533 Data bus on board diagnostic interface, in the left footwell, near the center console
- J774 Front seat heating control module
- T6t 6-pin connector
- T10a 10-pin connector, under the driver seat
- T10k 10-pin connector
- T16d 16-pin connector
- T20 20-pin connector
- T20q 20-pin connector
- T52b 52-pin connector
- T52c 52-pin connector
- V2 Fresh air blower

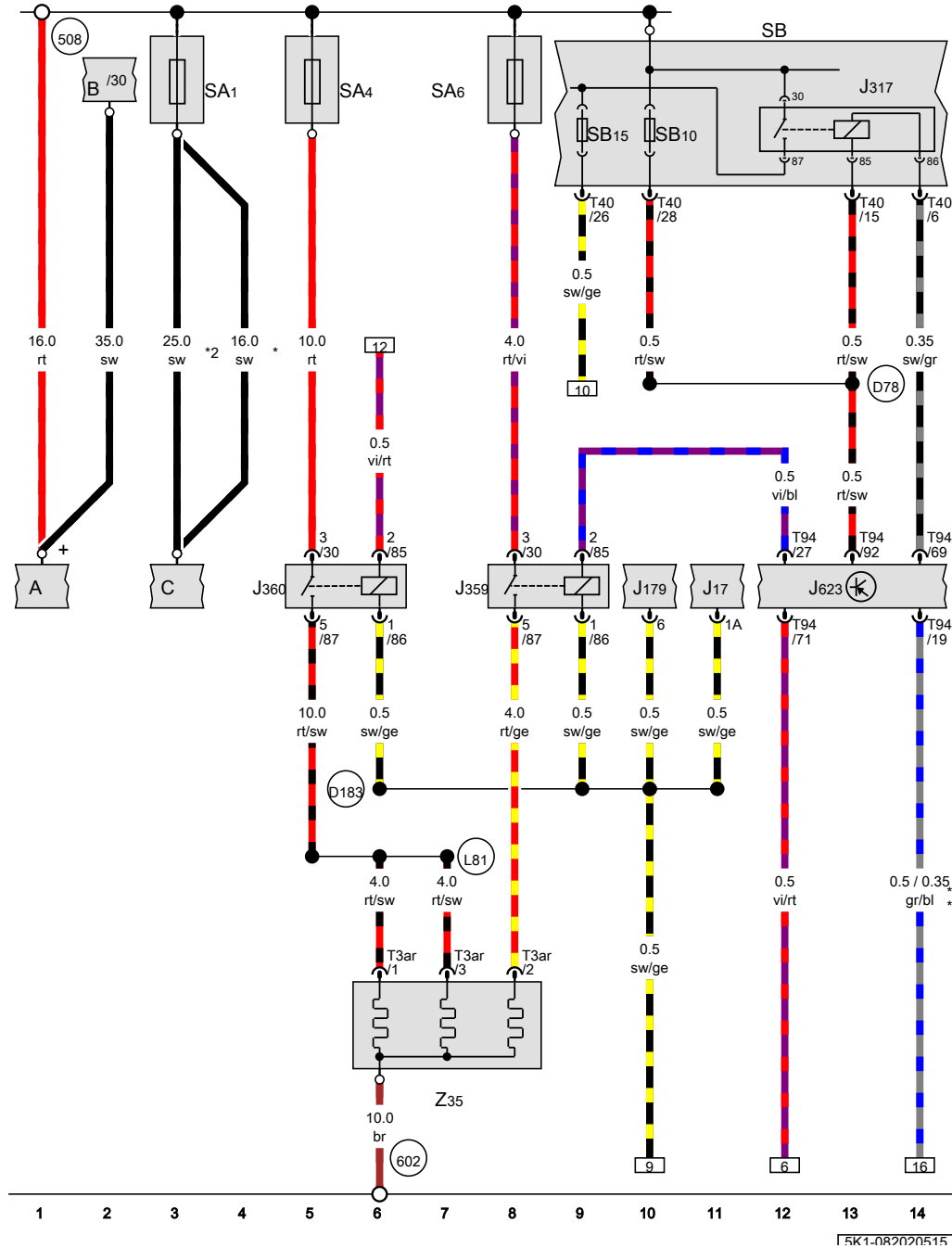
- 602 Ground connection in left front footwell
- B397 Comfort system CAN bus high connection 1 (in main wiring harness)
- B398 Comfort system CAN bus high connection 2 (in main wiring harness)
- B406 Comfort system CAN bus low connection 1 (in main wiring harness)
- B407 Comfort system CAN bus low connection 2 (in main wiring harness)
- M45 Connection 5 (in driver seat wiring harness)
- O15 Connection 4 (in heated seats wiring harness)
- \* Only for vehicles with an auxiliary heater

- ws = white
- sw = black
- ro = red
- rt = red
- br = brown
- gn = green
- bl = blue
- gr = grey
- li = lilac
- vi = lilac
- ge = yellow
- or = orange
- rs = pink

15K1-080060515

**Auxiliary heater (PTC), diesel engine , (7E6)**

from November 2009



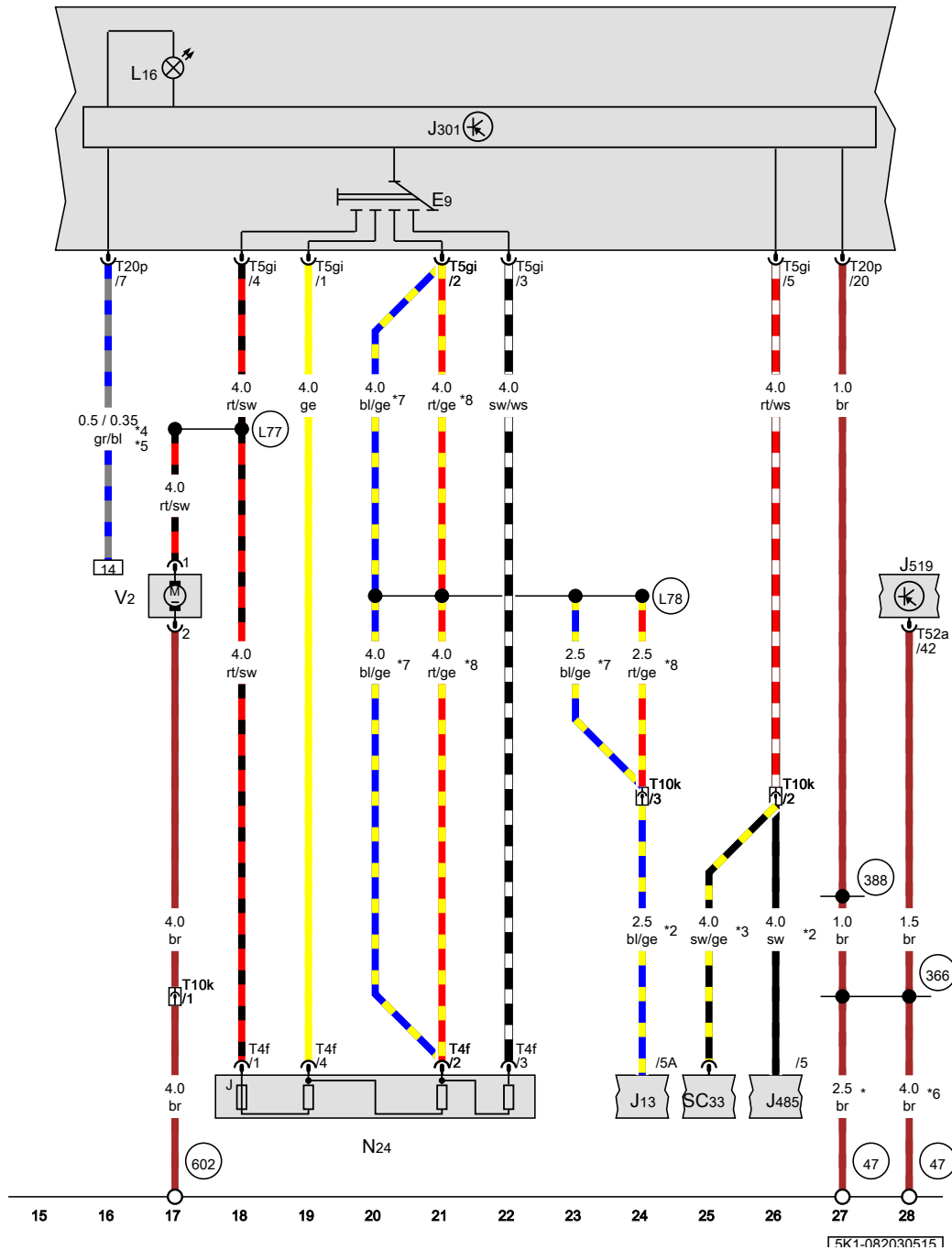
Terminal 30 power supply relay, Low heat output relay, High heat output relay, Engine control module, Fuse 1 (on fuse panel A), Fuse 4 (on fuse panel A), Fuse 6 (on fuse panel A), Fuse panel B, Auxiliary heater heating element

- A Battery
- B Starter
- C Generator
- J17 Fuel pump relay
- J179 Automatic glow time control module
- J317 Terminal 30 power supply relay
- J359 Low heat output relay
- J360 High heat output relay
- J623 Engine control module, in the center plenum chamber
- SA1 Fuse 1 (on fuse panel A)
- SA4 Fuse 4 (on fuse panel A)
- SA6 Fuse 6 (on fuse panel A)
- SB Fuse panel B
- SB10 Fuse 10 (on fuse panel B)
- SB15 Fuse 15 (on fuse panel B)
- T3ar 3-pin connector
- T40 40-pin connector
- T94 94-pin connector
- Z35 Auxiliary heater heating element

- (508) Terminal 30 threaded connection (on E-box)
- (602) Ground connection in left front footwell
- (D78) Positive connection 1 (30a) (in engine compartment wiring harness)
- (D183) Connection 4 (87a) (in engine compartment wiring harness)
- (L81) Connection (in auxiliary heater wiring harness)
- \* Only for vehicles with 90 A/120 A generator
- \*2 Only for vehicles with a generator (140 A)
- \*3 Only for vehicles without an A/C system from November 2011
- \*4

- ws = white
- sw = black
- ro = red
- rt = red
- br = brown
- gn = green
- bl = blue
- gr = grey
- li = lilac
- vi = lilac
- ge = yellow
- or = orange
- rs = pink

Г5К1-0820205151



Fresh air blower switch, A/C control module, Fresh air blower series resistor with fuse, Fresh air blower

- E9 Fresh air blower switch
- J13 Fresh air blower relay
- J301 A/C control module
- J485 Auxiliary heater operation relay
- J519 Vehicle electrical control module system
- L16 Fresh air control illumination bulb
- N24 Fresh air blower series resistor with fuse
- SC33 Fuse 33 (on fuse panel C)
- T4f 4-pin connector
- T5gi 5-pin connector
- T9 9-pin connector
- T10k 10-pin connector, behind the instrument panel, right
- T20p 20-pin connector
- T52a 52-pin connector
- V2 Fresh air blower

- (47) Ground connection in right front footwell
- (366) Ground connection 1 (in main wiring harness)
- (388) Ground connection 23 (in main wiring harness)
- (602) Ground connection in left front footwell
- (L77) Connection (in fresh air blower wiring harness)
- (L78) Connection 1 (in fresh air blower wiring harness)

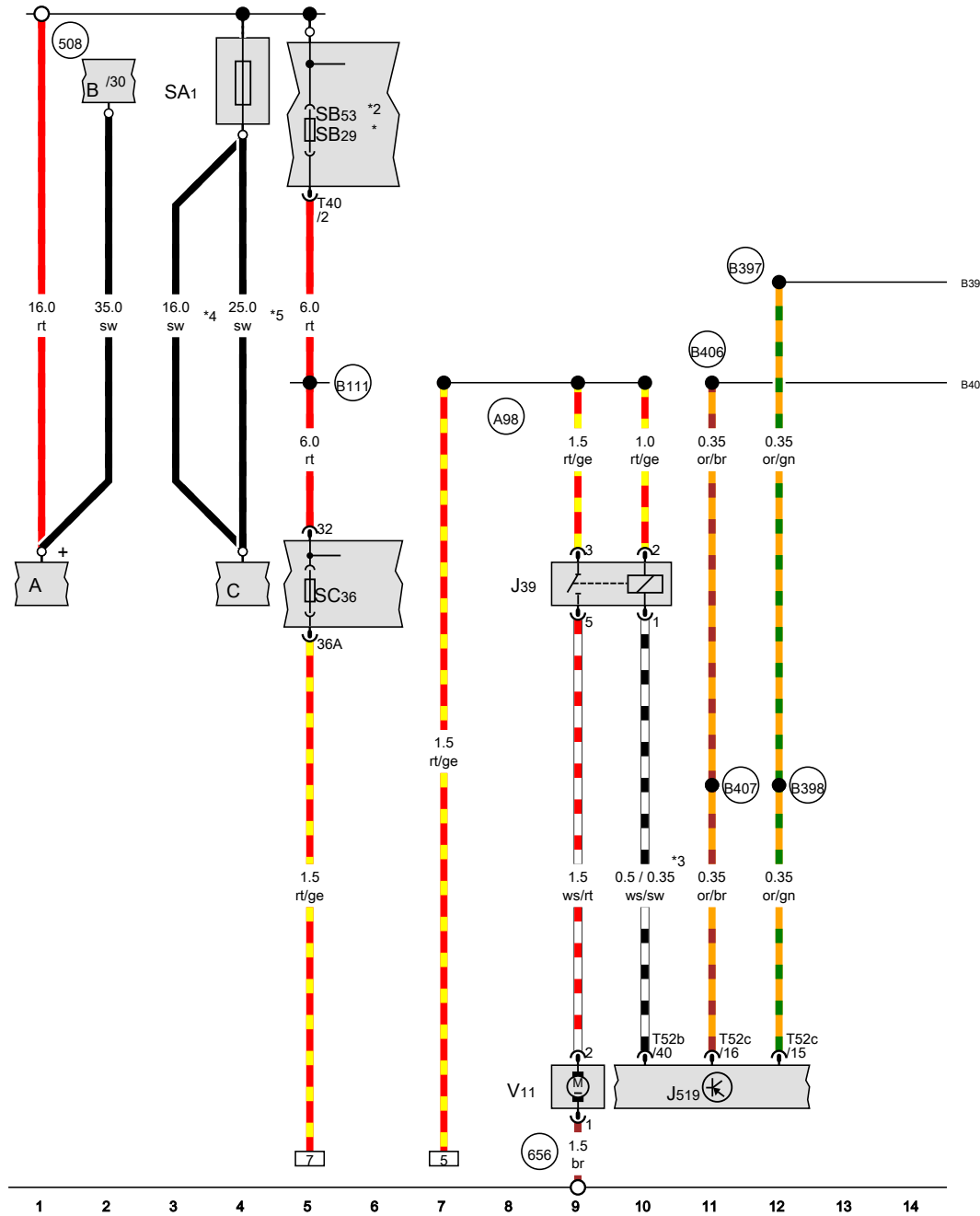
- \* Only for vehicles without Start/Stop system
- \*2 Only for vehicles with auxiliary water heater
- \*3 Only for vehicles without auxiliary water heater
- \*4 Only for vehicles without an A/C system
- \*5 from November 2011
- \*6 Only for vehicles with Start/Stop system
- \*7 from November 2010
- \*8 Through October 2010

- ws = white
- sw = black
- ro = red
- rt = red
- br = brown
- gn = green
- bl = blue
- gr = grey
- li = lilac
- vi = lilac
- ge = yellow
- or = orange
- rs = pink

15K1-082030515

**Washer system, headlamps , (8X1)**

from May 2010



Headlamp washer relay, Headlamp washer pump

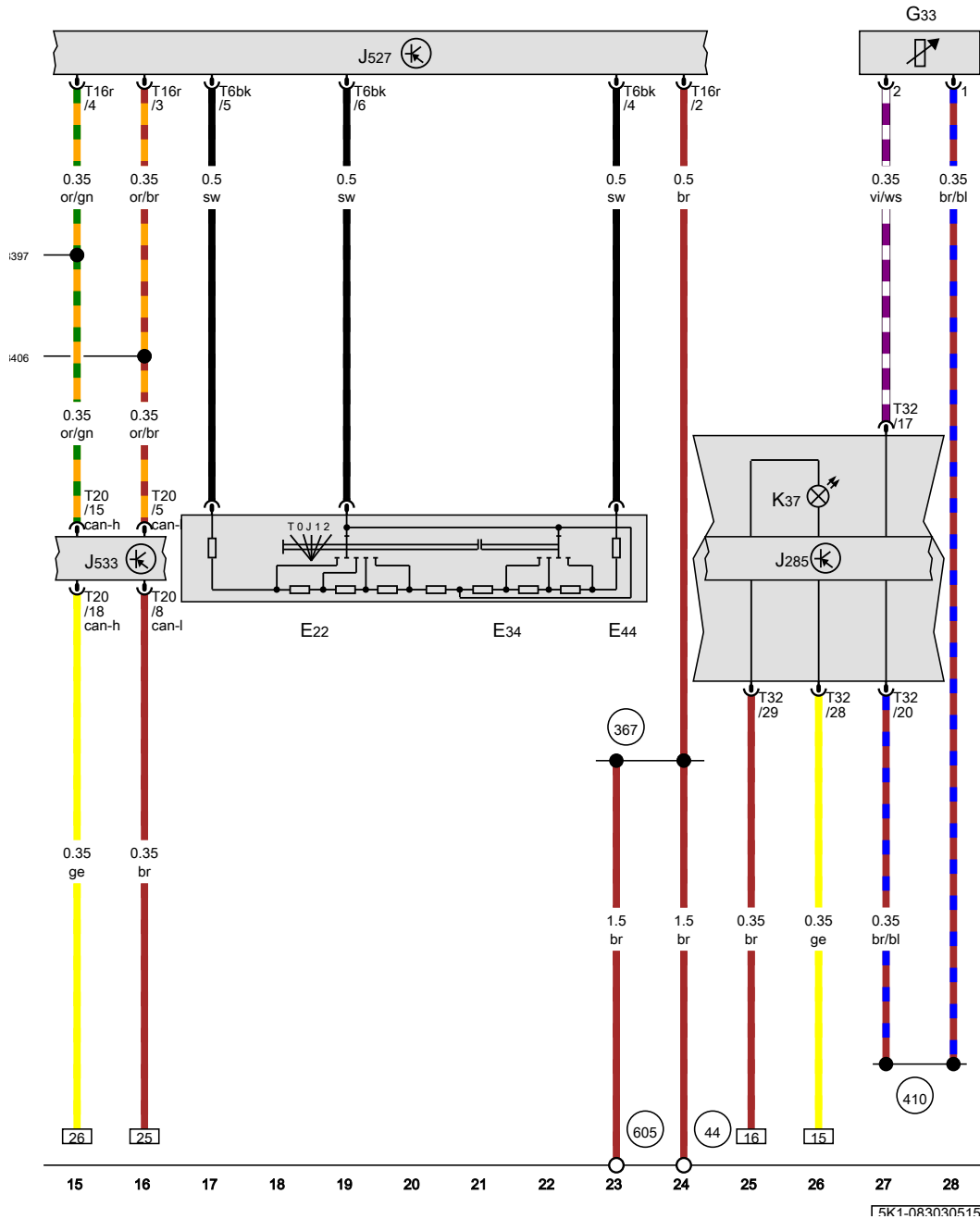
- A Battery
- B Starter
- C Generator
- J39 Headlamp washer relay
- J519 Vehicle electrical control module system
- SA1 Fuse 1 (on fuse panel A)
- SB29 Fuse 29 (on fuse panel B)
- SB53 Fuse 53 (on fuse panel B)
- SC36 Fuse 36 (on fuse panel C)
- T40 40-pin connector
- T52b 52-pin connector
- T52c 52-pin connector
- V11 Headlamp washer pump

- 508 Terminal 30 threaded connection (on E-box)
- 656 Ground connection on right headlamp
- A98 Positive connection 4 (30) (in instrument panel wiring harness)
- B111 Positive connection 1 (30a) (in interior wiring harness)
- B397 Comfort system CAN bus high connection 1 (in main wiring harness)
- B398 Comfort system CAN bus high connection 2 (in main wiring harness)
- B406 Comfort system CAN bus low connection 1 (in main wiring harness)
- B407 Comfort system CAN bus low connection 2 (in main wiring harness)

- \* E-Box low
- \*2 E-Box high
- \*3 from November 2010
- \*4 Only for vehicles with 90 A/120 A generator
- \*5 Only for vehicles with a generator (140 A)

- ws = white
- sw = black
- ro = red
- rt = red
- br = brown
- gn = green
- bl = blue
- gr = grey
- li = lilac
- vi = lilac
- ge = yellow
- or = orange
- rs = pink

15K1-083020515



Windshield wiper intermittent mode switch, Rear window wiper switch, Windshield and headlamp washer pump switch, Windshield washer fluid level sensor, Instrument cluster control module, Steering column electronics control module, Data bus on board diagnostic interface, Windshield washer fluid level indicator lamp

- E22 Windshield wiper intermittent mode switch
- E34 Rear window wiper switch
- E44 Windshield and headlamp washer pump switch
- G33 Windshield washer fluid level sensor
- J285 Instrument cluster control module
- J527 Steering column electronics control module
- J533 Data bus on board diagnostic interface, in the left footwell, near the center console
- K37 Windshield washer fluid level indicator lamp
- T6bk 6-pin connector
- T16r 16-pin connector
- T20 20-pin connector
- T32 32-pin connector

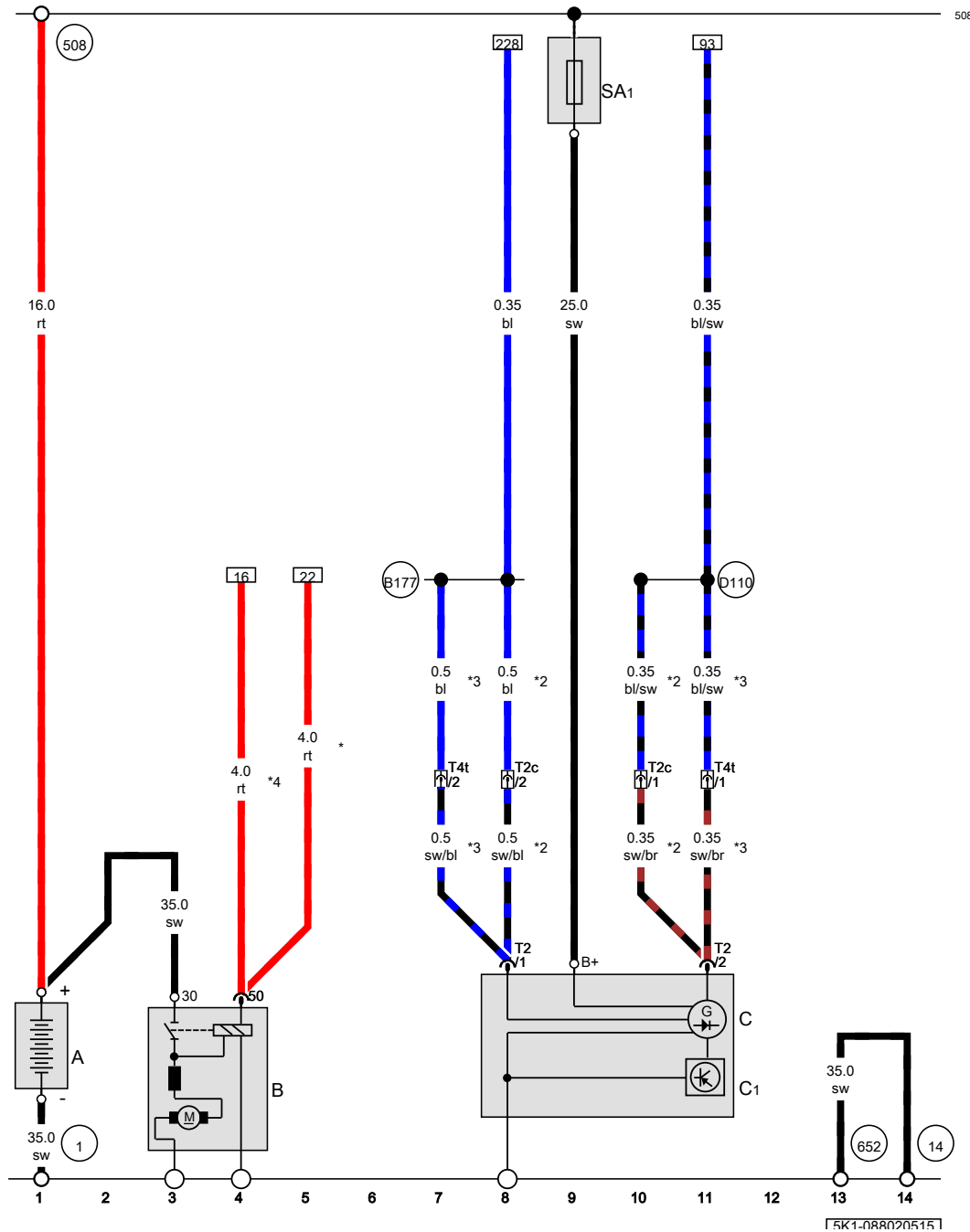
- (44) Ground connection on A-pillar, lower left
- (367) Ground connection 2 (in main wiring harness)
- (410) Sensor ground connection 1 (in main wiring harness)
- (605) Ground connection on upper steering column
- (B397) Comfort system CAN bus high connection 1 (in main wiring harness)
- (B406) Comfort system CAN bus low connection 1 (in main wiring harness)

- ws = white
- sw = black
- ro = red
- rt = red
- br = brown
- gn = green
- bl = blue
- gr = grey
- li = lilac
- vi = lilac
- ge = yellow
- or = orange
- rs = pink

15K1-083030515



2.0L gasoline engine , CBFA  
from November 2009



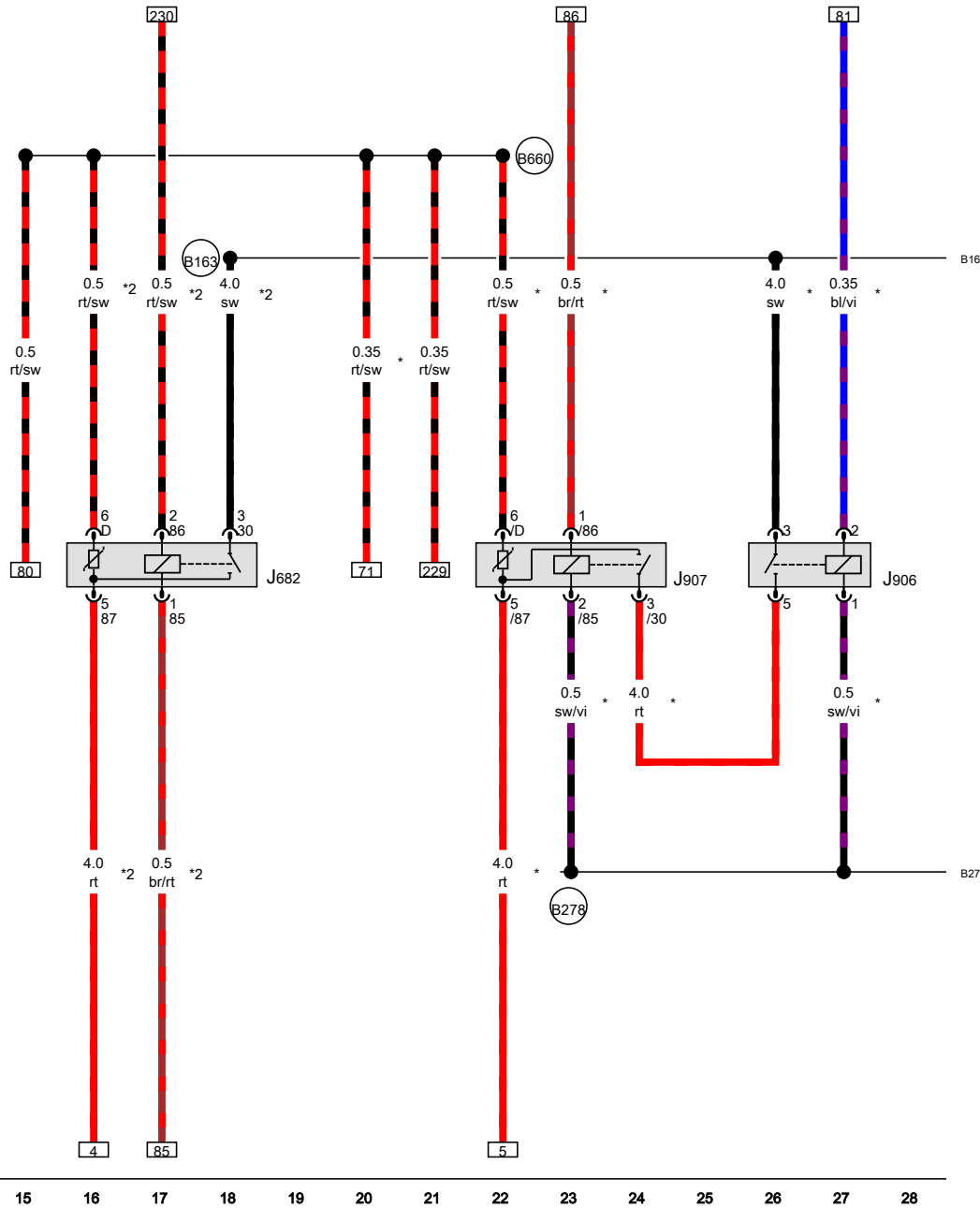
Battery, Starter, Generator, Fuse 1 (on fuse panel A)

- A Battery
- B Starter
- C Generator
- C1 Voltage regulator
- SA1 Fuse 1 (on fuse panel A)
- T2 Double connector
- T2c Double connector, near the starter
- T4t 4-pin connector, near the starter
- 1 Ground strap, battery to body
- 14 Ground connection on transmission
- 508 Terminal 30 threaded connection (on E-box)
- 652 Transmission/engine ground connection
- B177 Connection 61 (in interior wiring harness)
- D110 Connection 8 (in engine compartment wiring harness)
- \* only for vehicles with access/start authorization system
- \*2 Only for vehicles without an A/C system
- \*3 Only for vehicles with A/C system
- \*4 Only for vehicles without access/start authorization system

- ws = white
- sw = black
- ro = red
- rt = red
- br = brown
- gn = green
- bl = blue
- gr = grey
- li = lilac
- vi = lilac
- ge = yellow
- or = orange
- rs = pink

15K1-088020515

508 508

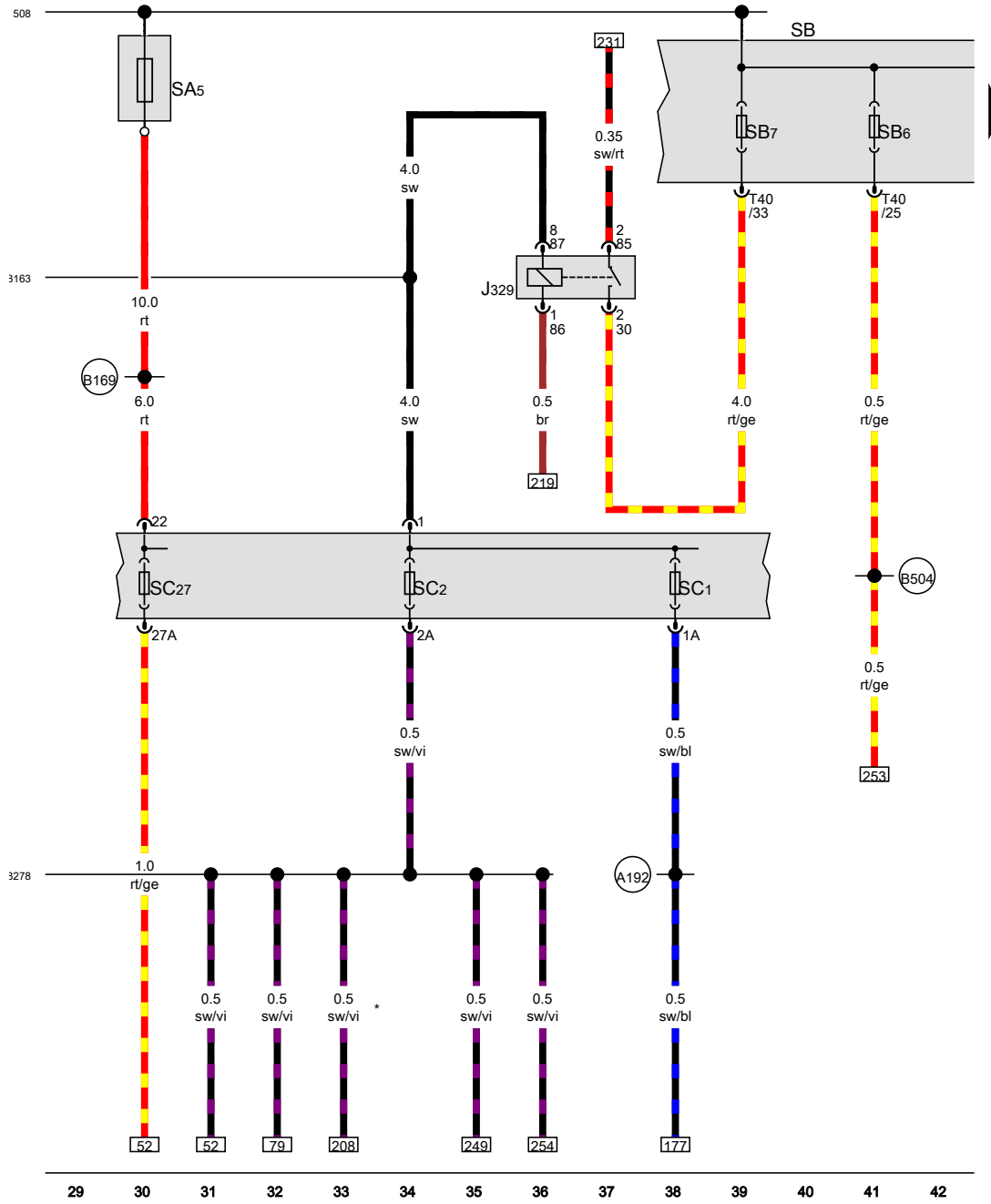


Terminal 50 power supply relay, Starter relay 1, Starter relay 2

- J682 Terminal 50 power supply relay
- J906 Starter relay 1
- J907 Starter relay 2
- (508) Terminal 30 threaded connection (on E-box)
- (B163) Positive connection 1 (15) (in interior wiring harness)
- (B278) Positive connection 2 (15a) (in main wiring harness)
- (B660) Diagnostic terminal 50 connection (in main wiring harness)
- \* only for vehicles with access/start authorization system
- \*2 Only for vehicles without access/start authorization system

- ws = white
- sw = black
- ro = red
- rt = red
- br = brown
- gn = green
- bl = blue
- gr = grey
- li = lilac
- vi = lilac
- ge = yellow
- or = orange
- rs = pink

15K1-088030515



**Terminal 15 power supply relay, Fuse 5 (on fuse panel A), Fuse panel B**

- J329 Terminal 15 power supply relay
- SC1 Fuse 1 (on fuse panel C)
- SC2 Fuse 2 (on fuse panel C)
- SA5 Fuse 5 (on fuse panel A)
- SB Fuse panel B
- SB6 Fuse 6 (on fuse panel B)
- SB7 Fuse 7 (on fuse panel B)
- SC27 Fuse 27 (on fuse panel C)
- T40 40-pin connector

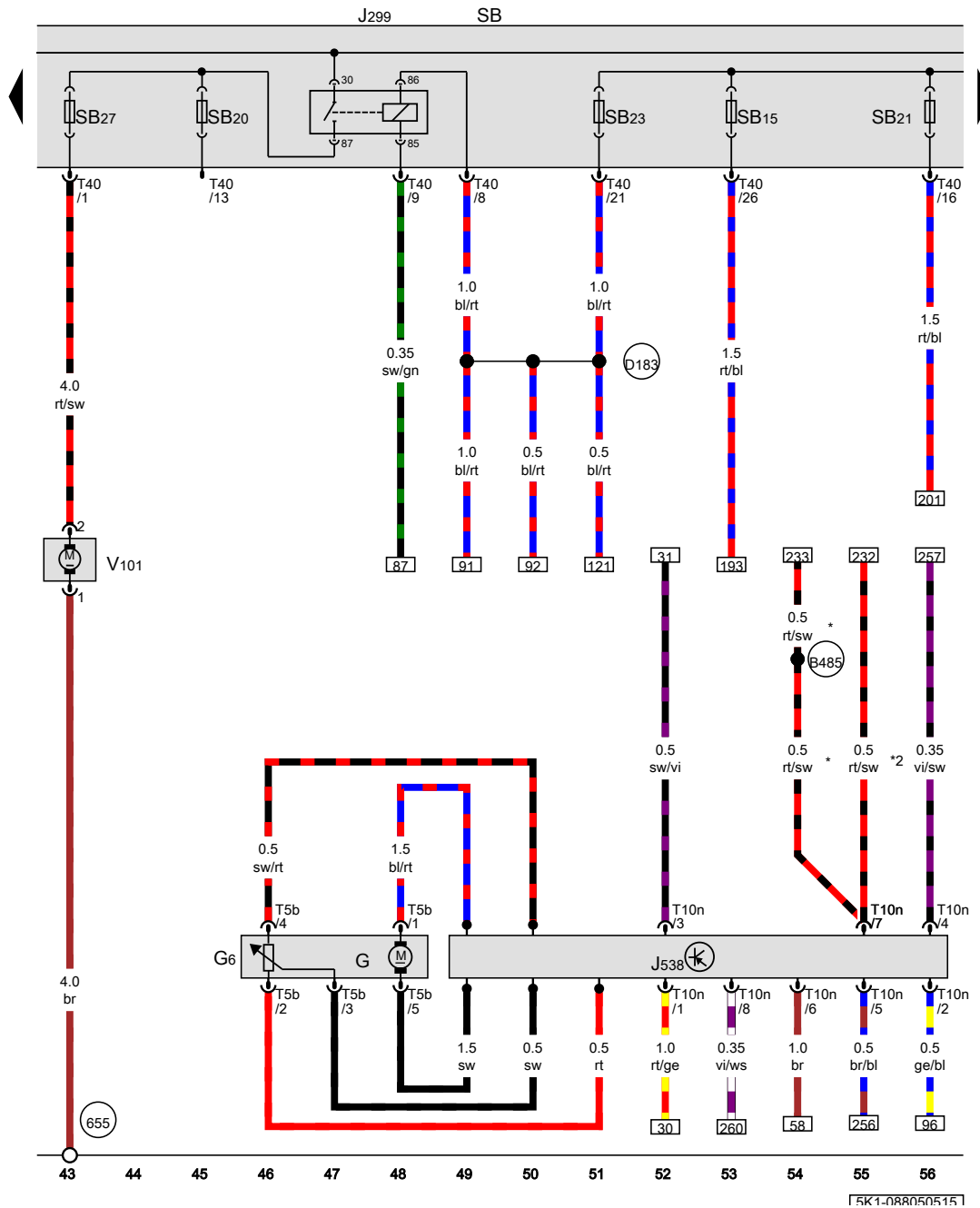
- (508) Terminal 30 threaded connection (on E-box)
- (A192) Positive connection 3 (15a) (in instrument panel wiring harness)
- (B163) Positive connection 1 (15) (in interior wiring harness)
- (B169) Positive connection 1 (30) (in interior wiring harness)
- (B278) Positive connection 2 (15a) (in main wiring harness)
- (B504) Positive connection 8 (30a) (in interior wiring harness)

\* Through November 2011

- ws = white
- sw = black
- ro = red
- rt = red
- br = brown
- gn = green
- bl = blue
- gr = grey
- li = lilac
- vi = lilac
- ge = yellow
- or = orange
- rs = pink

15K1-08R040515

Fuel level sensor, Transfer fuel pump, Secondary air injection pump relay, Fuel pump control module, Fuse panel B, Secondary air injection pump motor

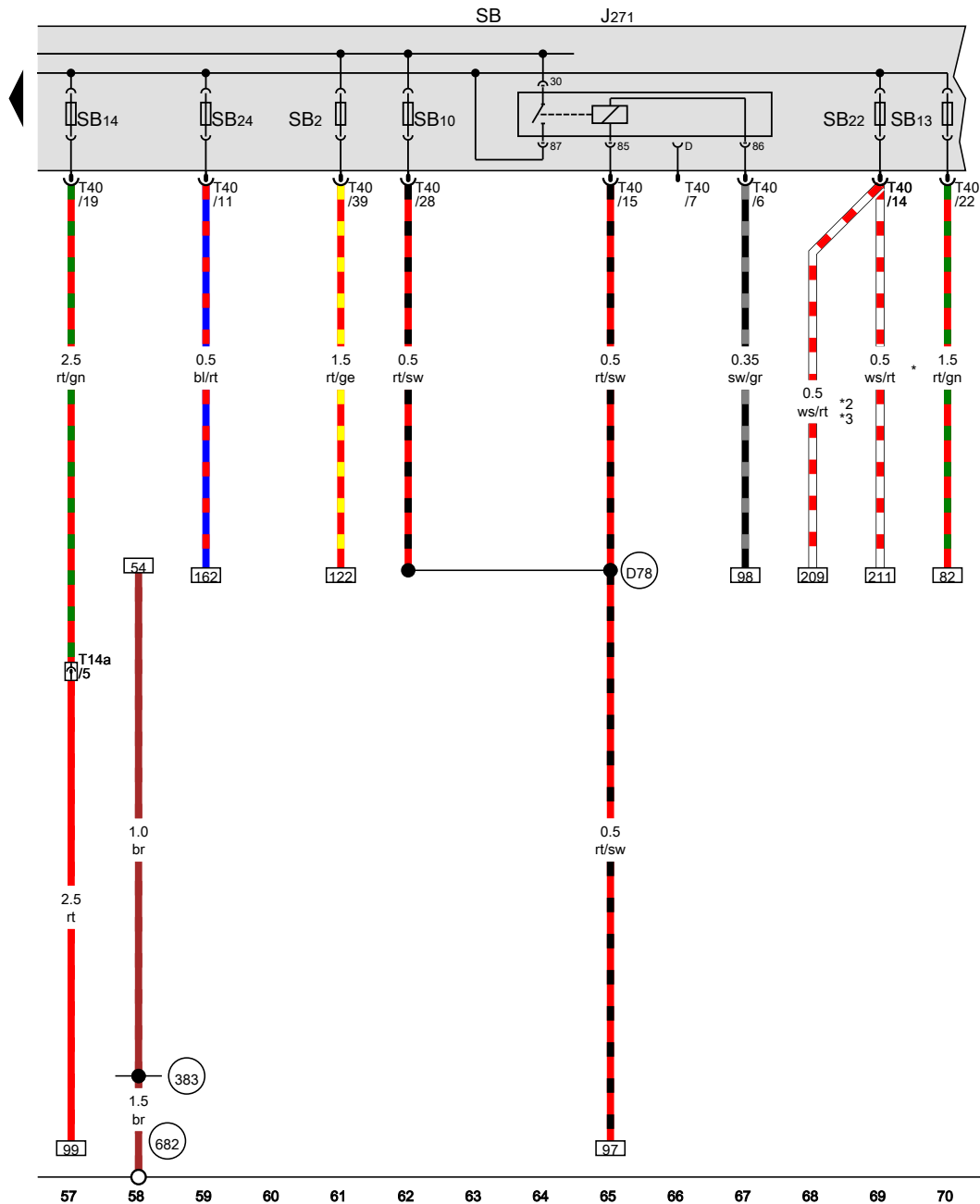


- G Fuel level sensor
- G6 Transfer fuel pump
- J299 Secondary air injection pump relay
- J538 Fuel pump control module
- SB Fuse panel B
- SB15 Fuse 15 (on fuse panel B)
- SB20 Fuse 20 (on fuse panel B)
- SB21 Fuse 21 (on fuse panel B)
- SB23 Fuse 23 (on fuse panel B)
- SB27 Fuse 27 (on fuse panel B)
- T5b 5-pin connector
- T10n 10-pin connector
- T40 40-pin connector
- V101 Secondary air injection pump motor

- 655 Ground connection on left headlamp
- B485 Connection 21 (in main wiring harness)
- D183 Connection 4 (87a) (in engine compartment wiring harness)
- \* through April 2010
- \*2 from May 2010

- ws = white
- sw = black
- ro = red
- rt = red
- br = brown
- gn = green
- bl = blue
- gr = grey
- li = lilac
- vi = lilac
- ge = yellow
- or = orange
- rs = pink

15K1-08R050515



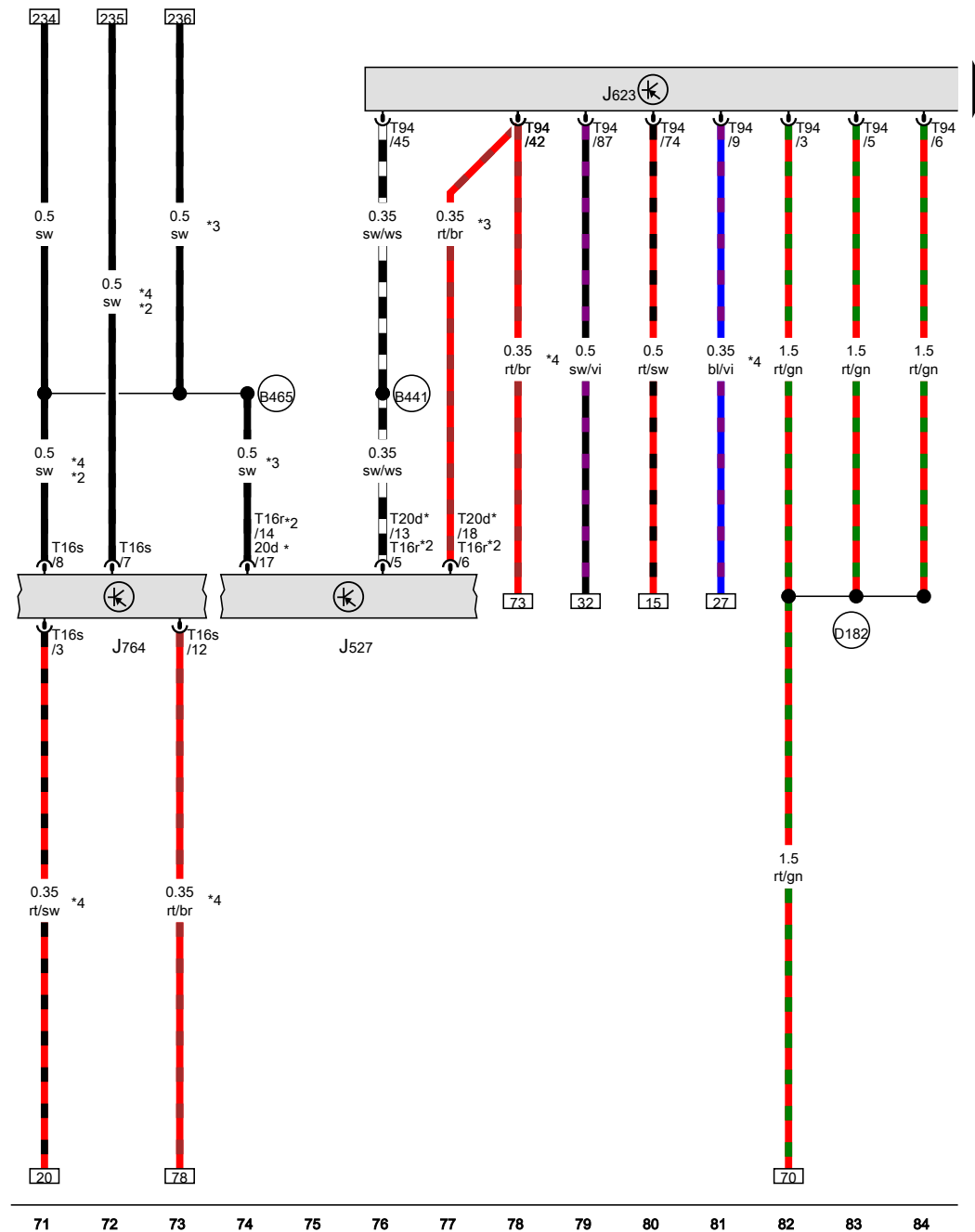
Motronic engine control module power supply relay, Fuse panel B

- J271 Motronic engine control module power supply relay
- SB Fuse panel B
- SB2 Fuse 2 (on fuse panel B)
- SB10 Fuse 10 (on fuse panel B)
- SB13 Fuse 13 (on fuse panel B)
- SB14 Fuse 14 (on fuse panel B)
- SB22 Fuse 22 (on fuse panel B)
- SB24 Fuse 24 (on fuse panel B)
- T14a 14-pin connector, near the battery
- T40 40-pin connector

- 383 Ground connection 18 (in main wiring harness)
- 682 Ground connection 2 in right rear side panel
- D78 Positive connection 1 (30a) (in engine compartment wiring harness)
- \* Only for vehicles with a manual transmission
- \*2 Only for vehicles with automatic transmission
- \*3 from November 2010

- ws = white
- sw = black
- ro = red
- rt = red
- br = brown
- gn = green
- bl = blue
- gr = grey
- li = lilac
- vi = lilac
- ge = yellow
- or = orange
- rs = pink

15K1-08A060515



Steering column electronics control module, Engine control module

- J527 Steering column electronics control module
- J623 Engine control module, in the center plenum chamber
- J764 Electronic steering column lock control module
- T16r 16-pin connector
- T16s 16-pin connector
- T20d 20-pin connector
- T94 94-pin connector

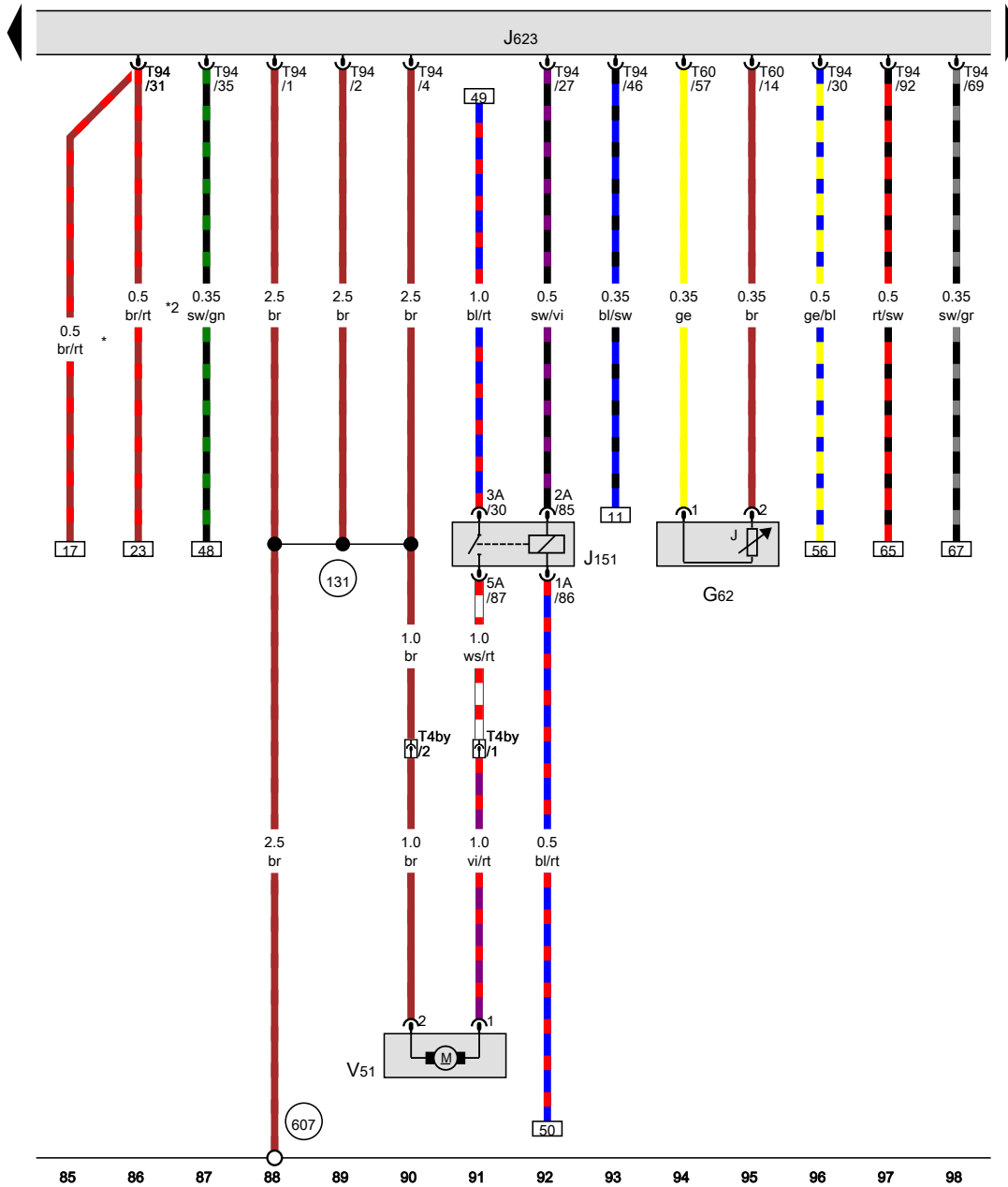
- (B441) Cruise control connection (in main wiring harness)
- (B465) Connection 1 (in main wiring harness)
- (D182) Connection 3 (87a) (in engine compartment wiring harness)

- \* through April 2010
- \*2 from May 2010
- \*3 Only for vehicles without access/start authorization system
- \*4 only for vehicles with access/start authorization system

- ws = white
- sw = black
- ro = red
- rt = red
- br = brown
- gn = green
- bl = blue
- gr = grey
- li = lilac
- vi = lilac
- ge = yellow
- or = orange
- rs = pink

15K1-088070515

Engine coolant temperature sensor, Coolant circulation pump relay, Engine control module, After-run coolant pump



- G62 Engine coolant temperature sensor
- J151 Coolant circulation pump relay
- J623 Engine control module, in the center plenum chamber
- T4by 4-pin connector, in the engine compartment, left
- T60 60-pin connector
- T94 94-pin connector
- V51 After-run coolant pump

131 Ground connection 2 (in engine compartment wiring harness)

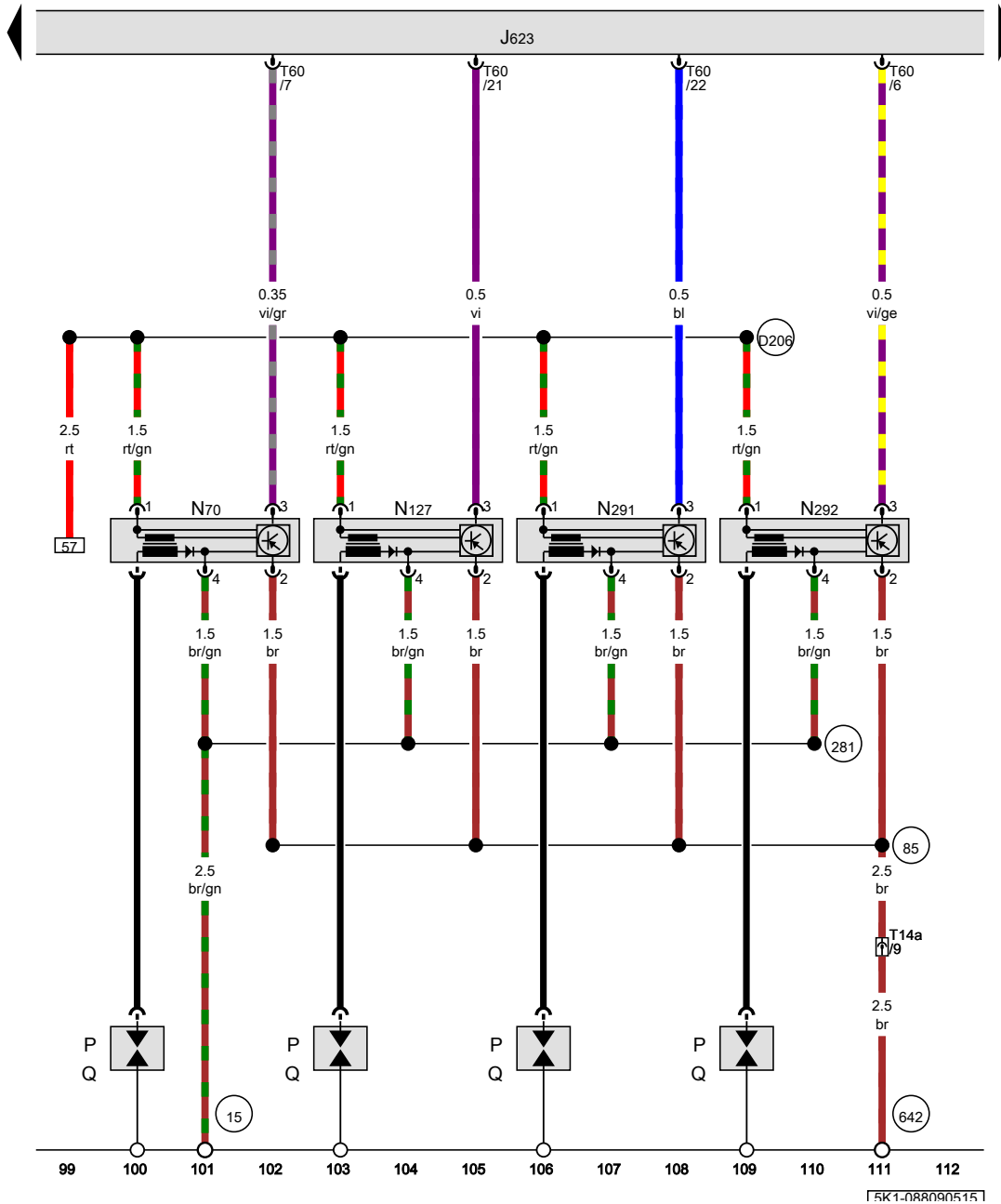
607 Ground connection in plenum chamber, left

\* Only for vehicles without access/start authorization system  
 \*2 Only for vehicles with access/start authorization system

- ws = white
- sw = black
- ro = red
- rt = red
- br = brown
- gn = green
- bl = blue
- gr = grey
- li = lilac
- vi = lilac
- ge = yellow
- or = orange
- rs = pink

15K1-088005151





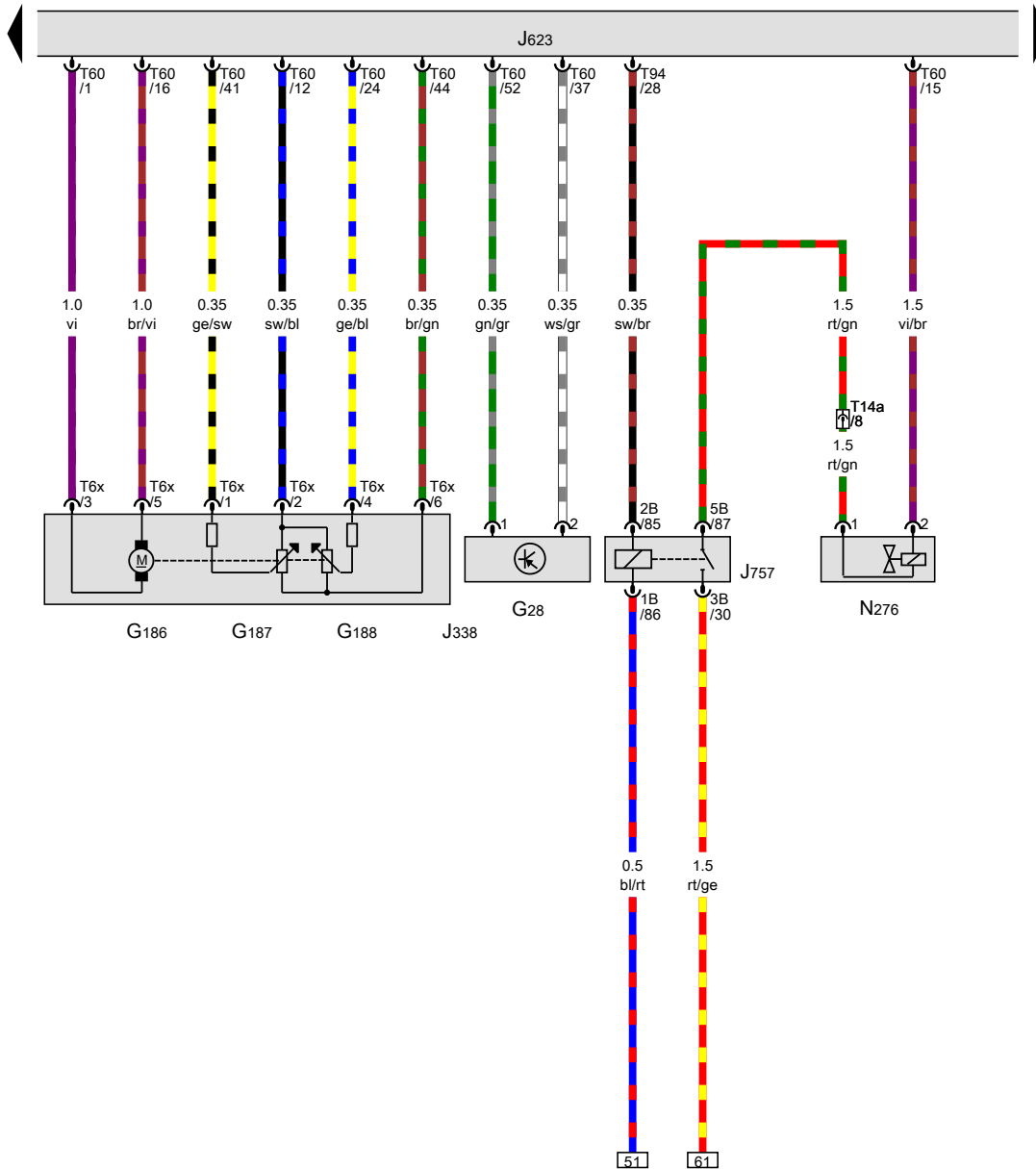
Engine control module, Ignition coil 1 with power output stage, Ignition coil 2 with power output stage, Ignition coil 3 with power output stage, Ignition coil 4 with power output stage, Spark plugs

- J623 Engine control module, in the center plenum chamber
- N70 Ignition coil 1 with power output stage
- N127 Ignition coil 2 with power output stage
- N291 Ignition coil 3 with power output stage
- N292 Ignition coil 4 with power output stage
- P Spark plug connectors
- Q Spark plugs
- T14a 14-pin connector, near the battery
- T60 60-pin connector

- 15 Ground connection on cylinder head
- 85 Ground connection 1 (in engine compartment wiring harness)
- 281 Ground connection 1 (in engine pre-wiring harness)
- 642 Electronic fan control ground connection
- D206 Connection 87a (in engine pre-wiring harness) 4

- ws = white
- sw = black
- ro = red
- rt = red
- br = brown
- gn = green
- bl = blue
- gr = grey
- li = lilac
- vi = lilac
- ge = yellow
- or = orange
- rs = pink

Engine speed sensor, Throttle valve control module, Engine control module, Fuel pressure regulator valve

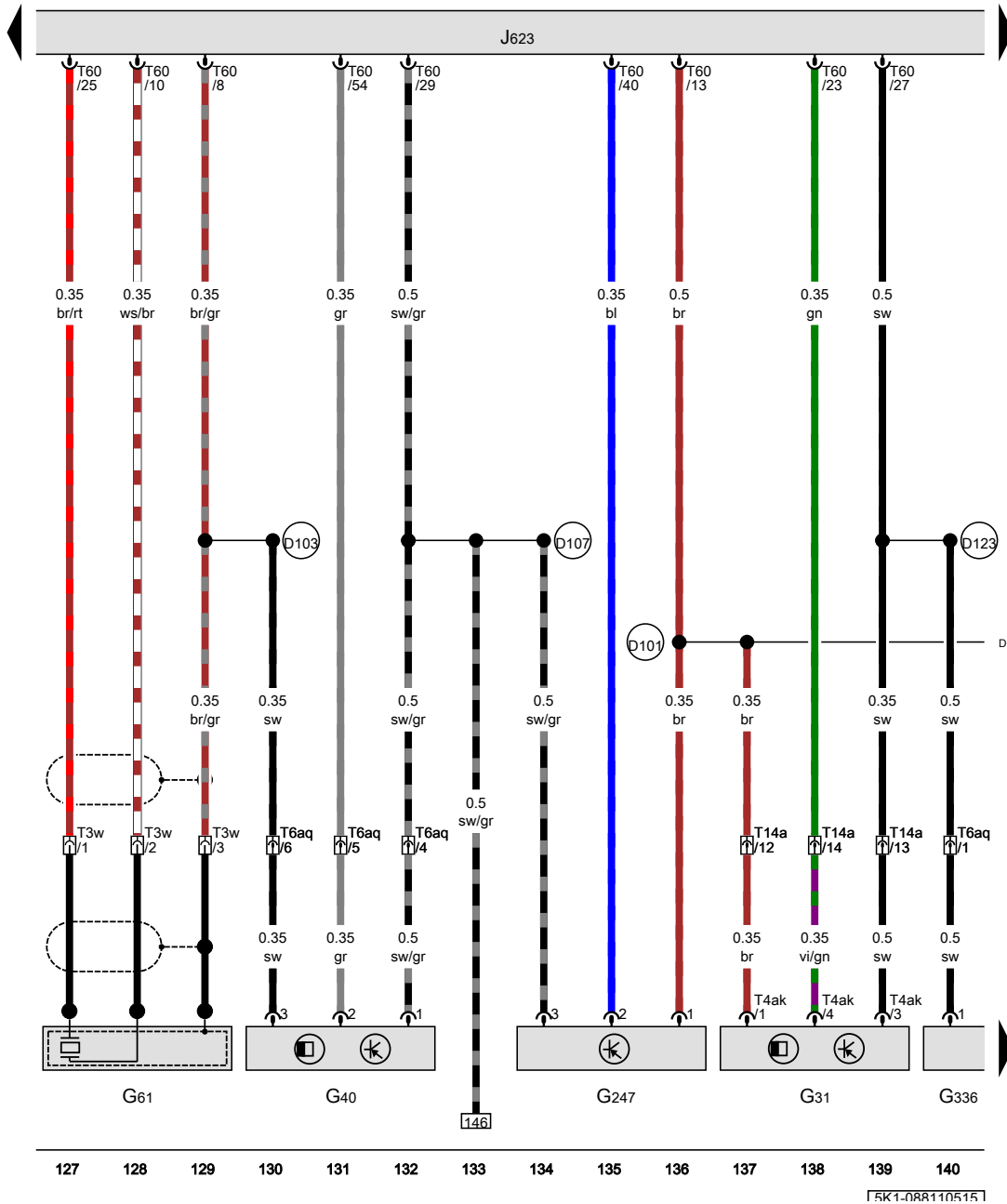


- G28 Engine speed sensor
- G186 EPC throttle drive
- G187 EPC throttle drive angle sensor 1
- G188 EPC throttle drive angle sensor 2
- J338 Throttle valve control module
- J623 Engine control module, in the center plenum chamber
- J757 Engine component power supply relay
- N276 Fuel pressure regulator valve
- T6x 6-pin connector
- T14a 14-pin connector, near the battery
- T60 60-pin connector
- T94 94-pin connector

- ws = white
- sw = black
- ro = red
- rt = red
- br = brown
- gn = green
- bl = blue
- gr = grey
- li = lilac
- vi = lilac
- ge = yellow
- or = orange
- rs = pink

113 114 115 116 117 118 119 120 121 122 123 124 125 126

15K1-08R100515

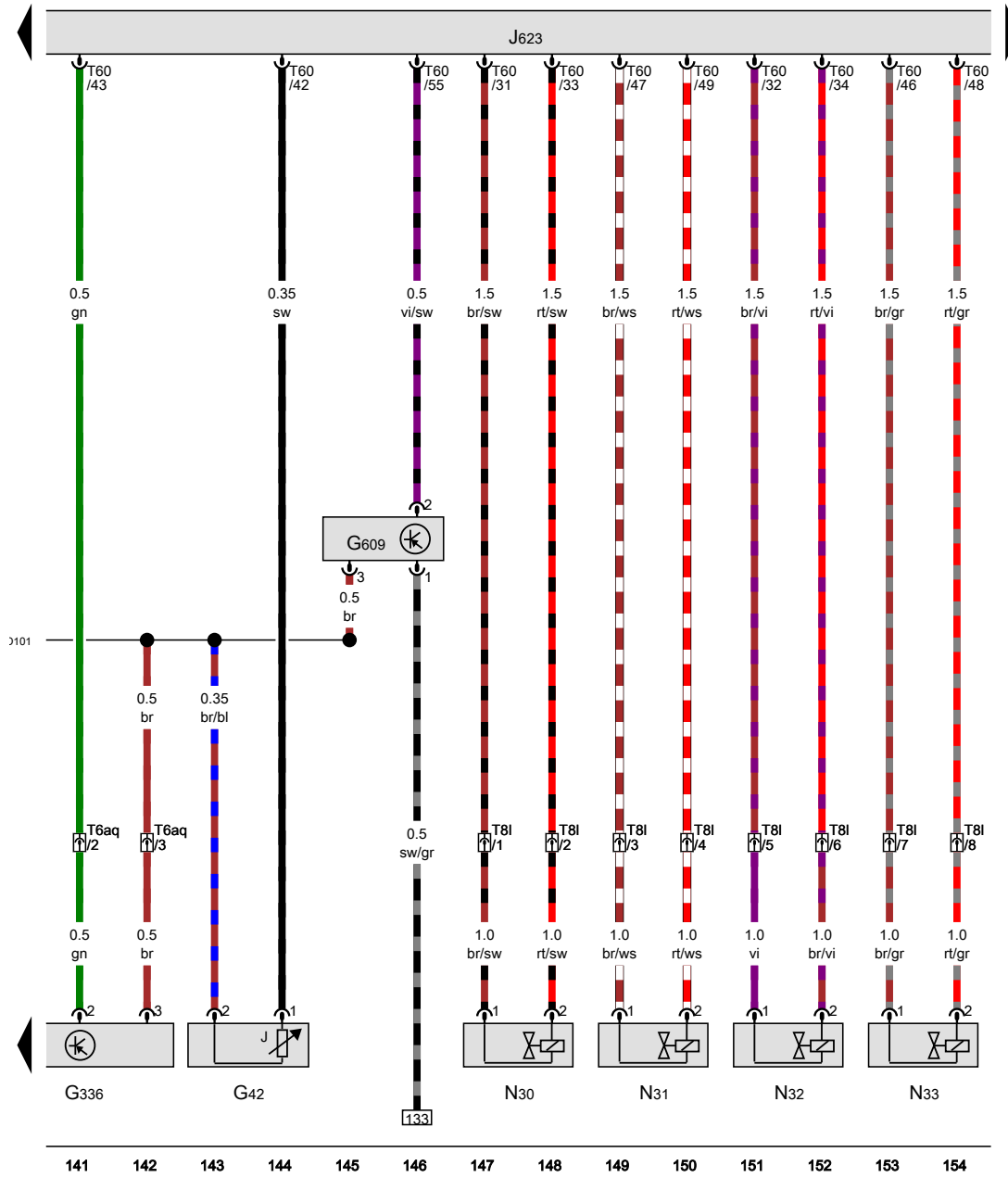


Charge air pressure sensor, Camshaft position sensor, Knock sensor 1, Fuel pressure sensor, Intake manifold runner position sensor, Engine control module

- G31 Charge air pressure sensor
- G40 Camshaft position sensor
- G61 Knock sensor 1
- G247 Fuel pressure sensor
- G336 Intake manifold runner position sensor
- J623 Engine control module, in the center plenum chamber
- T3w 3-pin connector, on the engine, front
- T4ak 4-pin connector
- T6aq 6-pin connector, on the engine, front
- T14a 14-pin connector, near the battery
- T60 60-pin connector

- D101 Connection 1 (in engine compartment wiring harness)
- D103 Connection 3 (in engine compartment wiring harness)
- D107 Connection 5 (in engine compartment wiring harness)
- D123 Connection 21 (in engine compartment wiring harness)

15K1-08R110515

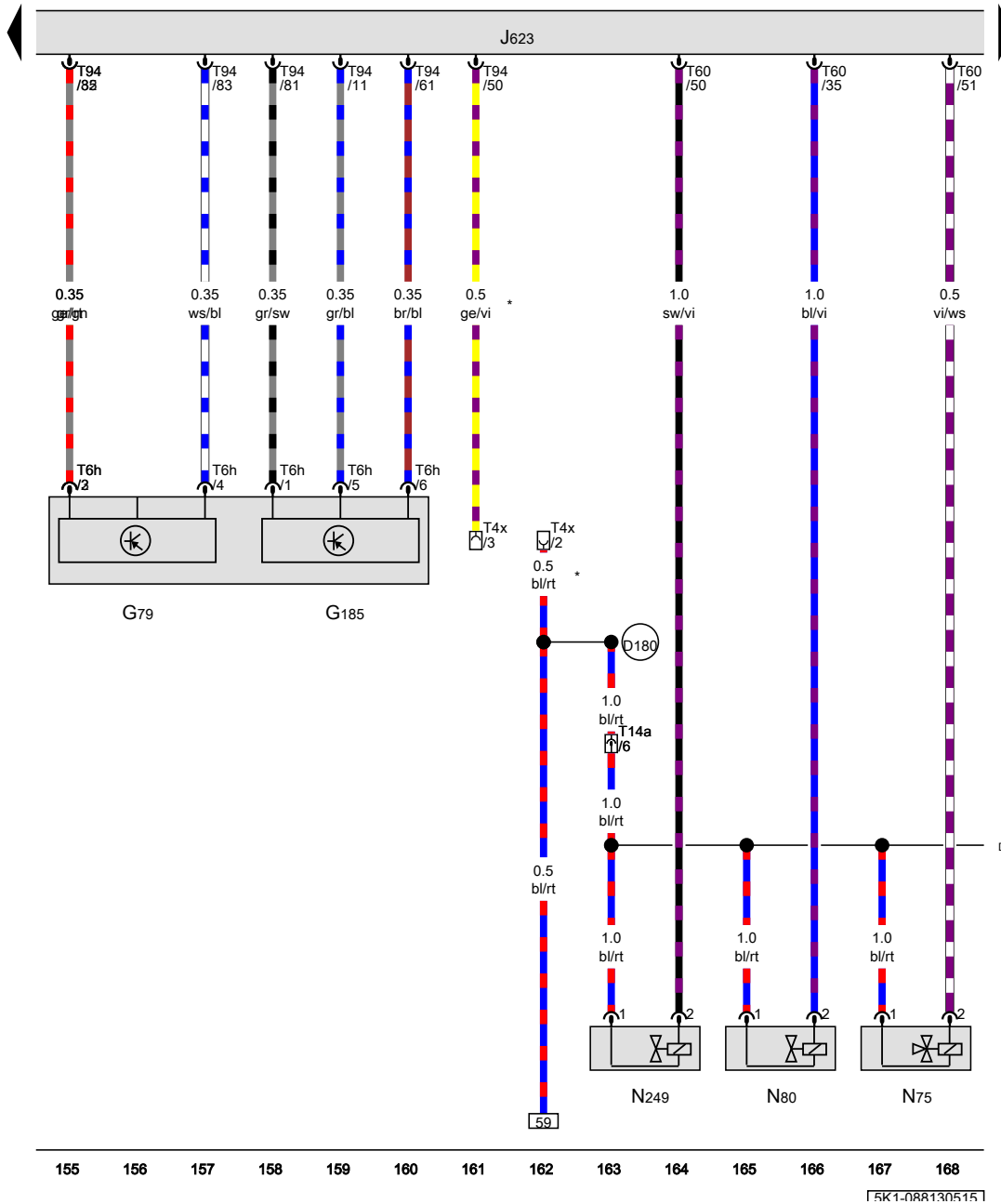


Intake air temperature sensor, Intake manifold runner position sensor, Secondary air injection sensor 1, Engine control module, Cylinder 1 fuel injector, Cylinder 2 fuel injector, Cylinder 3 fuel injector, Cylinder 4 fuel injector

- G42 Intake air temperature sensor
- G336 Intake manifold runner position sensor
- G609 Secondary air injection sensor 1
- J623 Engine control module, in the center plenum chamber
- N30 Cylinder 1 fuel injector
- N31 Cylinder 2 fuel injector
- N32 Cylinder 3 fuel injector
- N33 Cylinder 4 fuel injector
- T6aq 6-pin connector, on the engine, front
- T81 8-pin connector, on the engine, front
- T60 60-pin connector
- D101 Connection 1 (in engine compartment wiring harness)

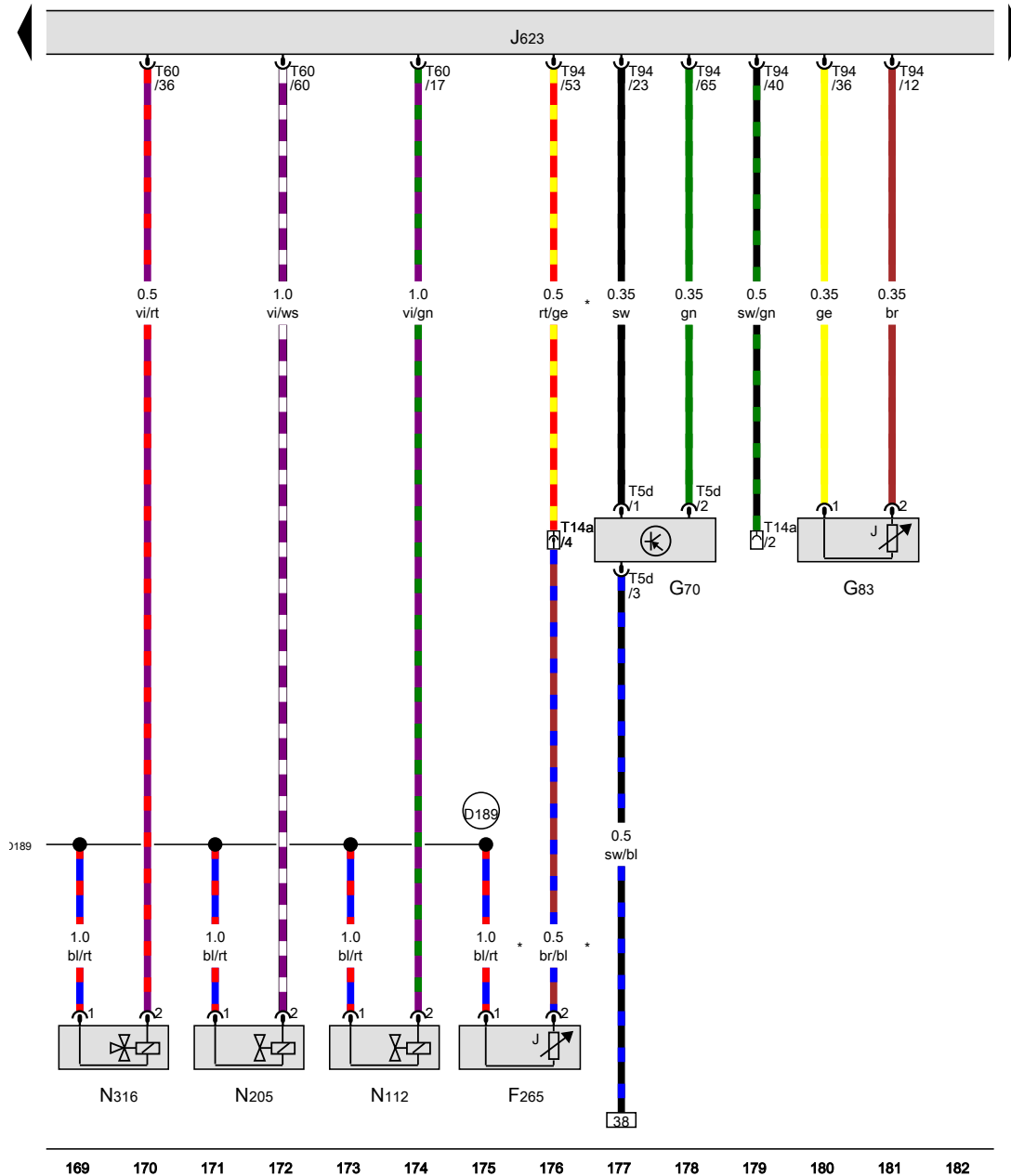
- ws = white
- sw = black
- ro = red
- rt = red
- br = brown
- gn = green
- bl = blue
- gr = grey
- li = lilac
- vi = lilac
- ge = yellow
- or = orange
- rs = pink

15K1-08R120515



Accelerator pedal position sensor, Accelerator pedal position sensor 2, Engine control module, Wastegate bypass regulator valve, EVAP canister purge regulator valve 1, Turbocharger recirculation valve

- G79 Accelerator pedal position sensor
- G185 Accelerator pedal position sensor 2
- J623 Engine control module, in the center plenum chamber
- N75 Wastegate bypass regulator valve
- N80 EVAP canister purge regulator valve 1
- N249 Turbocharger recirculation valve
- T4x 4-pin connector, on the lower left coolant fan
- T6h 6-pin connector
- T14a 14-pin connector, near the battery
- T60 60-pin connector
- T94 94-pin connector
- D180 Connection 87a (in engine compartment wiring harness)
- D189 Connection 87a (in engine pre-wiring harness)
- \* Coolant fan connection



Map controlled engine cooling thermostat, Mass airflow sensor, Engine coolant temperature sensor on radiator outlet, Engine control module, Secondary air injection solenoid valve, Camshaft adjustment valve 1, Intake manifold runner control valve

- F265 Map controlled engine cooling thermostat
- G70 Mass airflow sensor
- G83 Engine coolant temperature sensor on radiator outlet
- J623 Engine control module, in the center plenum chamber
- N112 Secondary air injection solenoid valve
- N205 Camshaft adjustment valve 1
- N316 Intake manifold runner control valve
- T5d 5-pin connector
- T14a 14-pin connector, near the battery
- T60 60-pin connector
- T94 94-pin connector

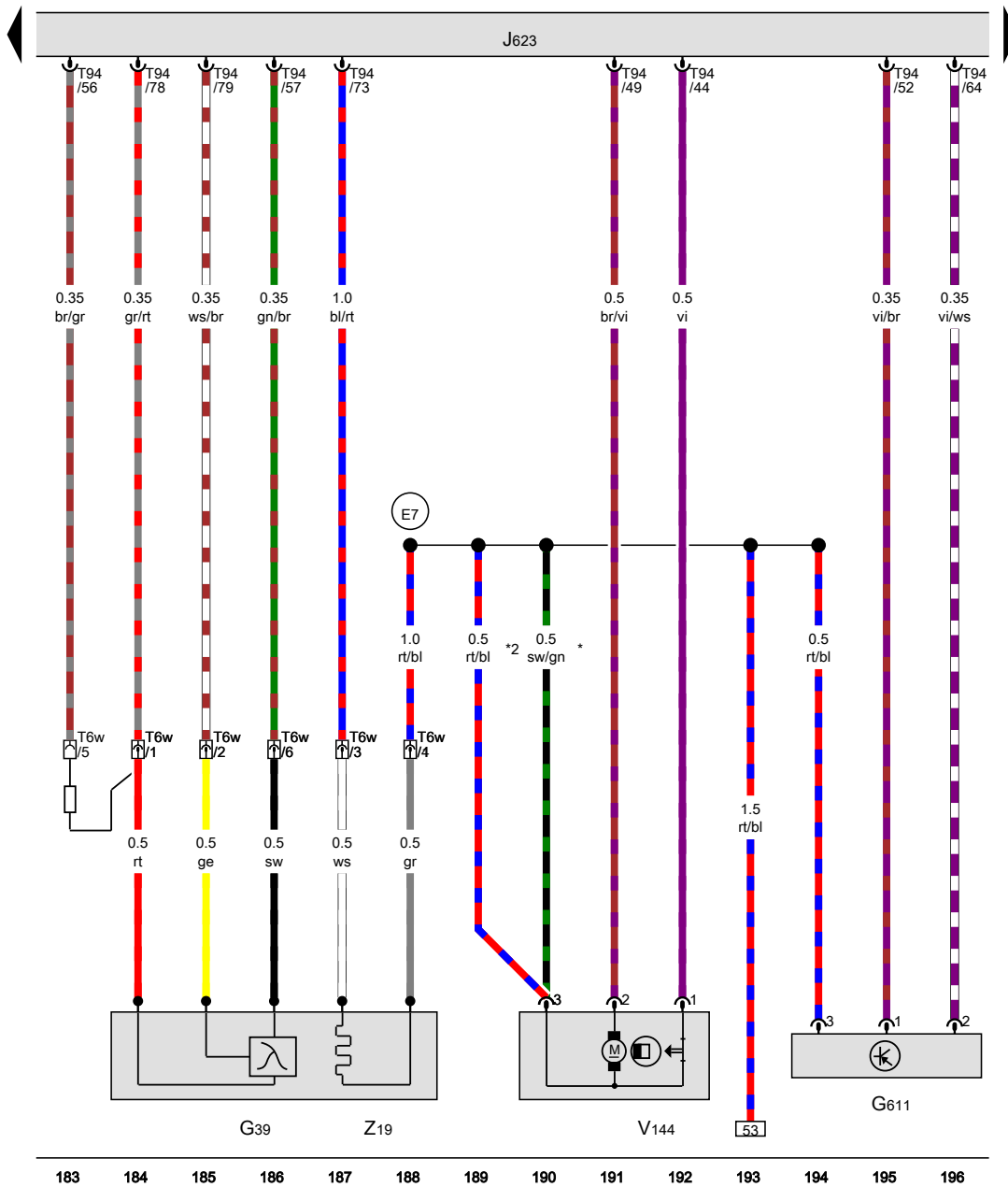
D189 Connection 87a (in engine pre-wiring harness)

\* from May 2010

- ws = white
- sw = black
- ro = red
- rt = red
- br = brown
- gn = green
- bl = blue
- gr = grey
- li = lilac
- vi = lilac
- ge = yellow
- or = orange
- rs = pink

15K1-08R140515

Heated oxygen sensor, Radiator identification sensor, Engine control module, Leak detection pump

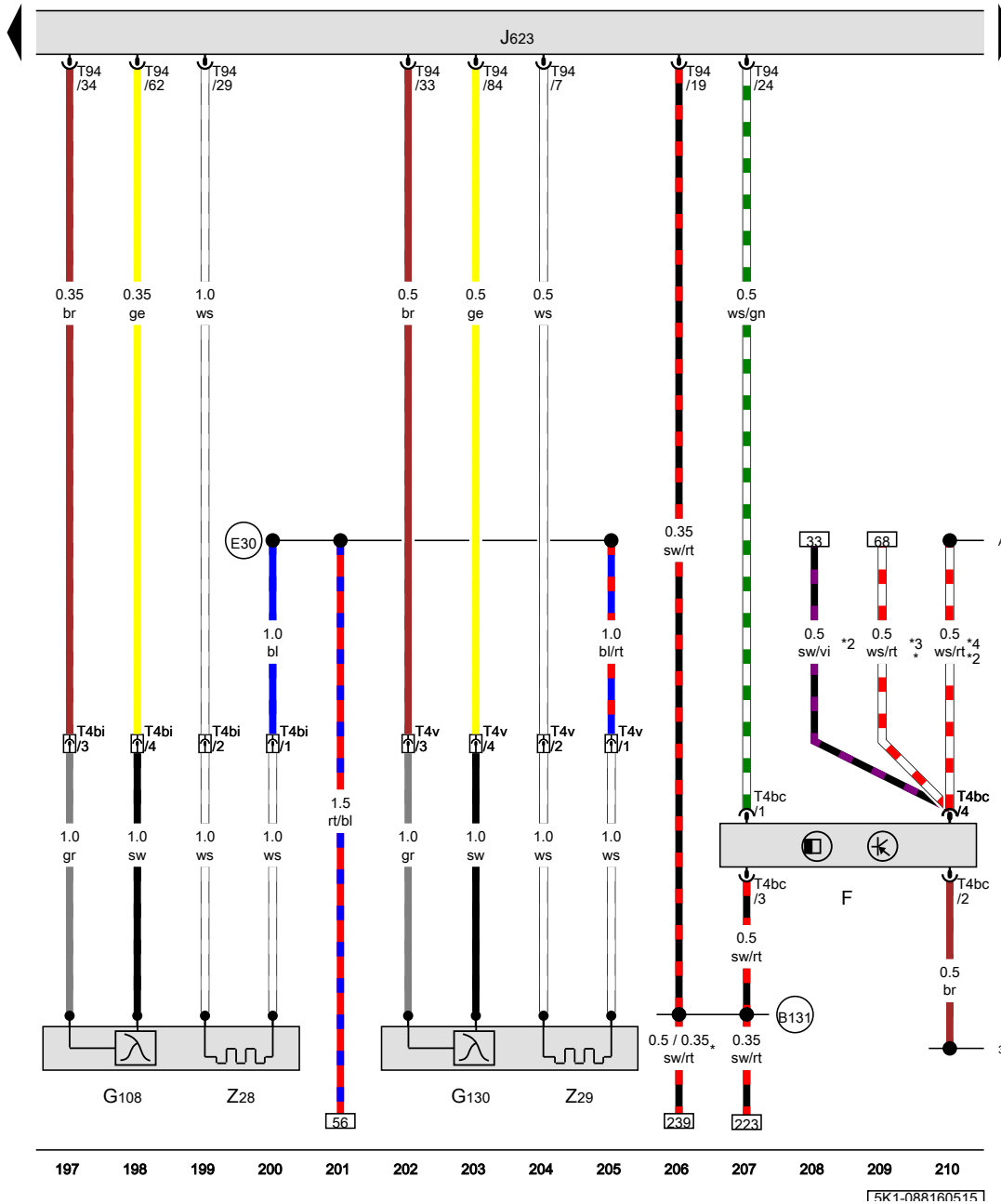


- G39 Heated oxygen sensor
- G611 Radiator identification sensor
- J623 Engine control module, in the center plenum chamber
- T6w 6-pin connector, in the engine compartment, rear
- T94 94-pin connector
- V144 Leak detection pump
- Z19 Oxygen sensor heater
- (E7) Connection 87a (in Motronic multiform fuel injection wiring harness)
- \* through April 2010
- \*2 from May 2010

- ws = white
- sw = black
- ro = red
- rt = red
- br = brown
- gn = green
- bl = blue
- gr = grey
- li = lilac
- vi = lilac
- ge = yellow
- or = orange
- rs = pink

15K1-08R150515

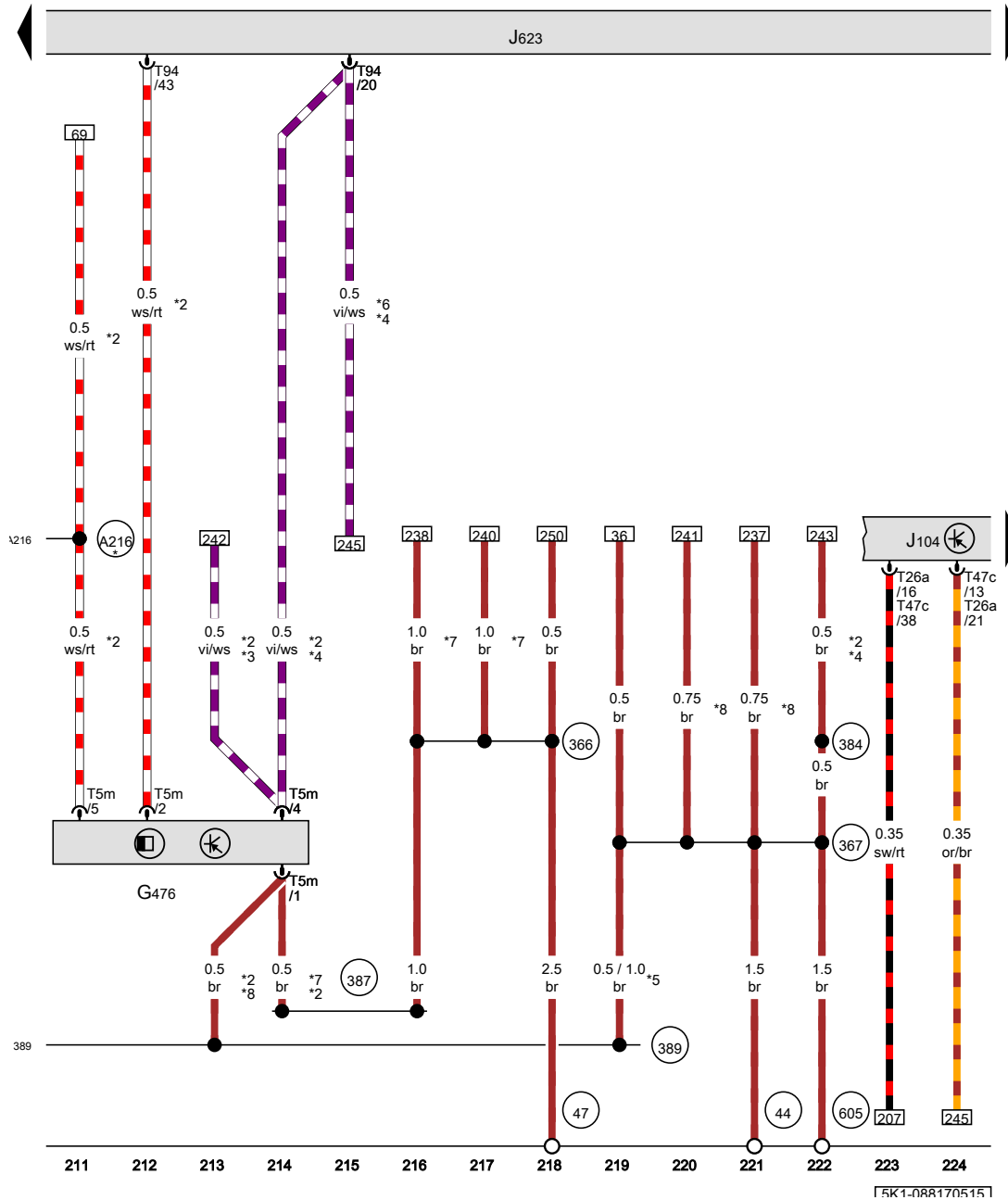
Brake lamp switch, Heated oxygen sensor 2, Oxygen sensor after catalytic converter, Engine control module



- F Brake lamp switch
- G108 Heated oxygen sensor 2
- G130 Oxygen sensor after catalytic converter
- J623 Engine control module, in the center plenum chamber
- T4bc 4-pin connector
- T4bi 4-pin connector, near the oxygen sensor
- T4v 4-pin connector, near the oxygen sensor
- T94 94-pin connector
- Z28 Oxygen sensor 2 heater
- Z29 Heater for oxygen sensor 1 after catalytic converter
- 389 Ground connection 24 (in main wiring harness)
- A216 Positive connection 2 (87a) (in instrument panel wiring harness)
- B131 Connection 54 (in interior wiring harness)
- E30 Connection 87a (in engine wiring harness)
- \* from November 2010
- \*2 Through November 2011
- \*3 Only for vehicles with automatic transmission
- \*4 Only for vehicles with a manual transmission

- ws = white
- sw = black
- ro = red
- rt = red
- br = brown
- gn = green
- bl = blue
- gr = grey
- li = lilac
- vi = lilac
- ge = yellow
- or = orange
- rs = pink





Clutch position sensor, Engine control module

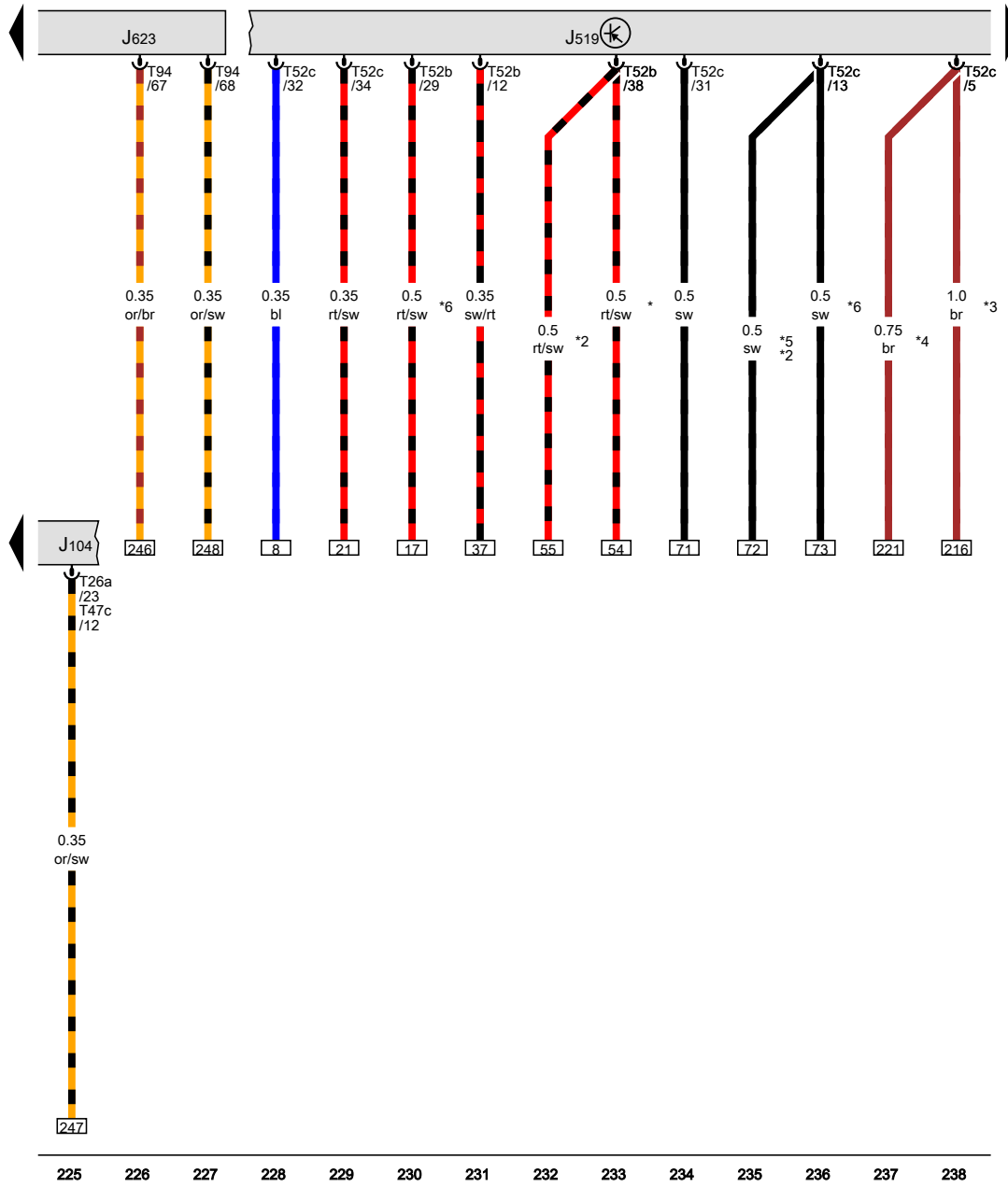
- G476 Clutch position sensor
- J104 ABS control module
- J623 Engine control module, in the center plenum chamber
- T5m 5-pin connector
- T26a 26-pin connector
- T47c 47-pin connector
- T94 94-pin connector

- 44 Ground connection on A-pillar, lower left
- 47 Ground connection in right front footwell
- 366 Ground connection 1 (in main wiring harness)
- 367 Ground connection 2 (in main wiring harness)
- 384 Ground connection 19 (in main wiring harness)
- 387 Ground connection 22 (in main wiring harness)
- 389 Ground connection 24 (in main wiring harness)
- 605 Ground connection on upper steering column
- A216 Positive connection 2 (87a) (in instrument panel wiring harness)

- \* from November 2011
- \*2 Only for vehicles with a manual transmission
- \*3 through April 2010
- \*4 from May 2010
- \*5 from May 2011
- \*6 Only for vehicles with DSG transmission
- \*7 Only for right-hand drive vehicles
- \*8 Only for left-hand drive vehicles

- ws = white
- sw = black
- ro = red
- rt = red
- br = brown
- gn = green
- bl = blue
- gr = grey
- li = lilac
- vi = lilac
- ge = yellow
- or = orange
- rs = pink

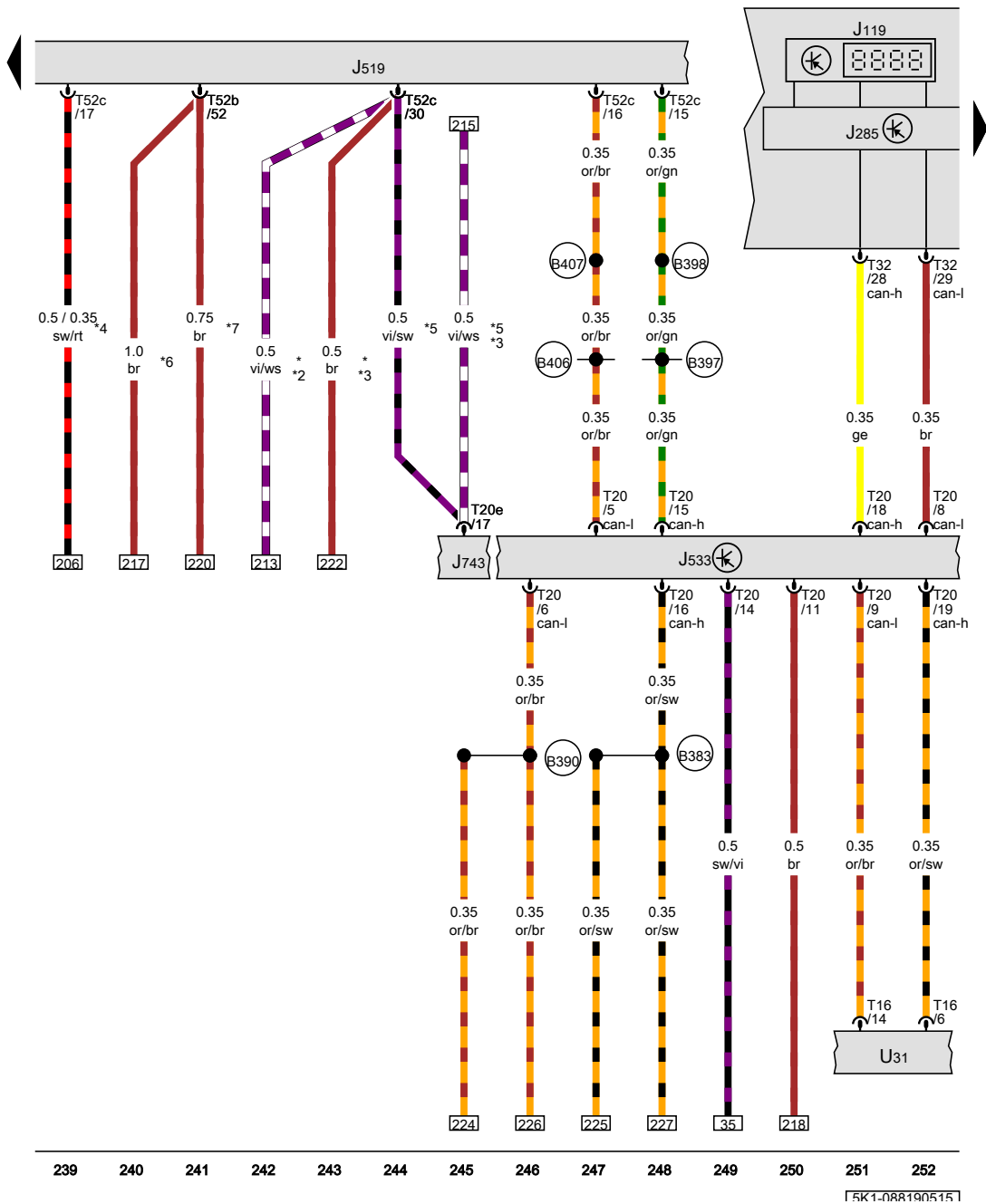
15K1-08R170515



Engine control module

- J104 ABS control module
- J519 Vehicle electrical control module system
- J623 Engine control module, in the center plenum chamber
- T26a 26-pin connector
- T52b 52-pin connector
- T52c 52-pin connector
- T94 94-pin connector
- \* through April 2010
- \*2 from May 2010
- \*3 Only for right-hand drive vehicles
- \*4 Only for left-hand drive vehicles
- \*5 only for vehicles with access/start authorization system
- \*6 Only for vehicles without access/start authorization system

- ws = white
- sw = black
- ro = red
- rt = red
- br = brown
- gn = green
- bl = blue
- gr = grey
- li = lilac
- vi = lilac
- ge = yellow
- or = orange
- rs = pink



Multifunction indicator, Data bus on board diagnostic interface

- J119 Multifunction indicator
- J285 Instrument cluster control module
- J519 Vehicle electrical control module system
- J533 Data bus on board diagnostic interface, in the left footwell, near the center console
- J743 DSG transmission Mechatronic
- T16 16-pin connector
- T20 20-pin connector
- T20e 20-pin connector
- T32 32-pin connector
- T52b 52-pin connector
- T52c 52-pin connector
- U31 Diagnostic connection

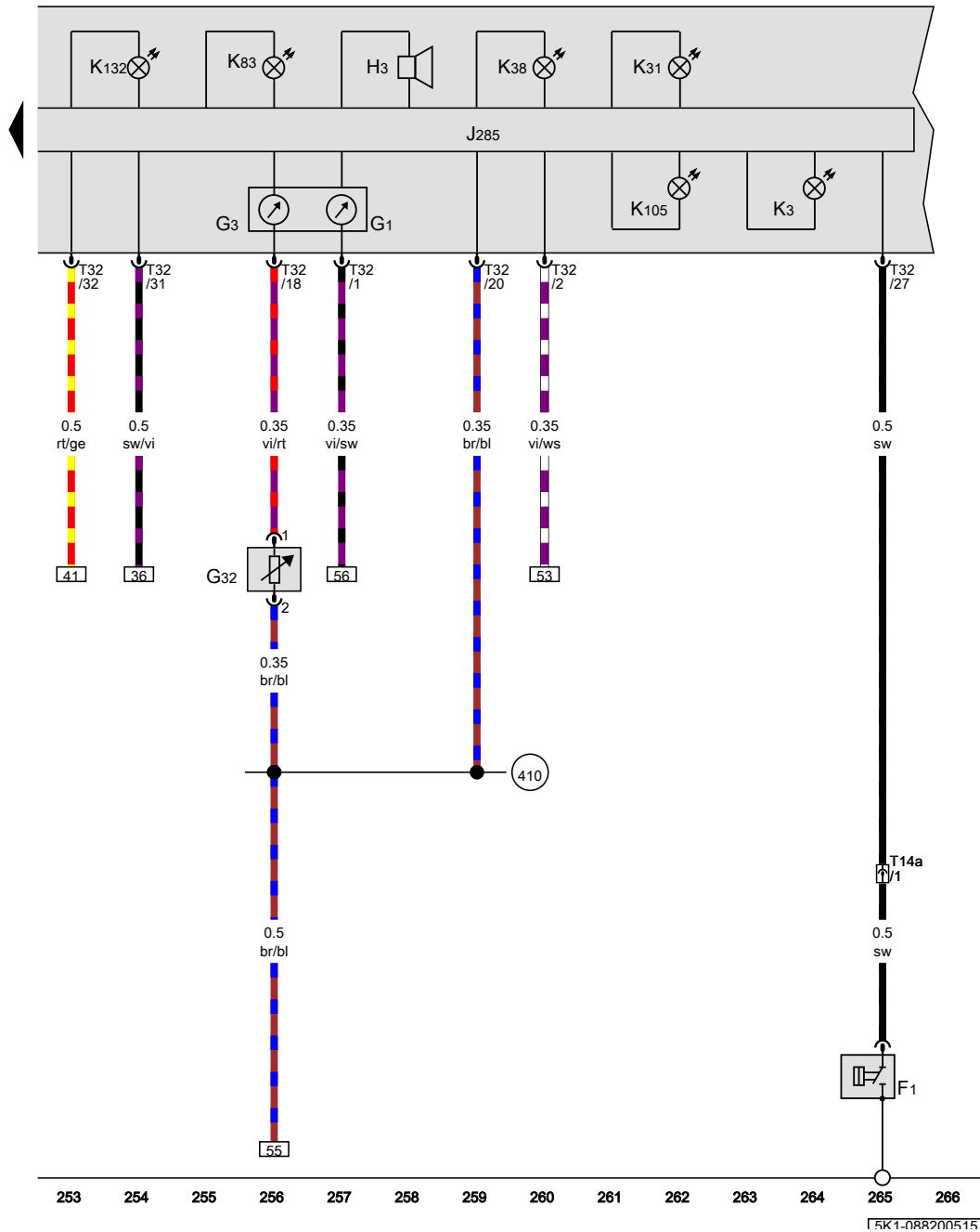
- (B383) Powertrain CAN bus high connection 1 (in main wiring harness)
- (B390) Powertrain CAN bus low connection 1 (in main wiring harness)
- (B397) Comfort system CAN bus high connection 1 (in main wiring harness)
- (B398) Comfort system CAN bus high connection 2 (in main wiring harness)
- (B406) Comfort system CAN bus low connection 1 (in main wiring harness)
- (B407) Comfort system CAN bus low connection 2 (in main wiring harness)
- \* Only for vehicles with a manual transmission
- \*2 through April 2010
- \*3 from May 2010
- \*4 from November 2010
- \*5 Only for vehicles with DSG transmission
- \*6 Only for right-hand drive vehicles
- \*7 Only for left-hand drive vehicles

- ws = white
- sw = black
- ro = red
- rt = red
- br = brown
- gn = green
- bl = blue
- gr = grey
- li = lilac
- vi = lilac
- ge = yellow
- or = orange
- rs = pink

Oil pressure switch, Fuel gauge, Engine coolant temperature gauge, Engine coolant level sensor, Malfunction indicator lamp

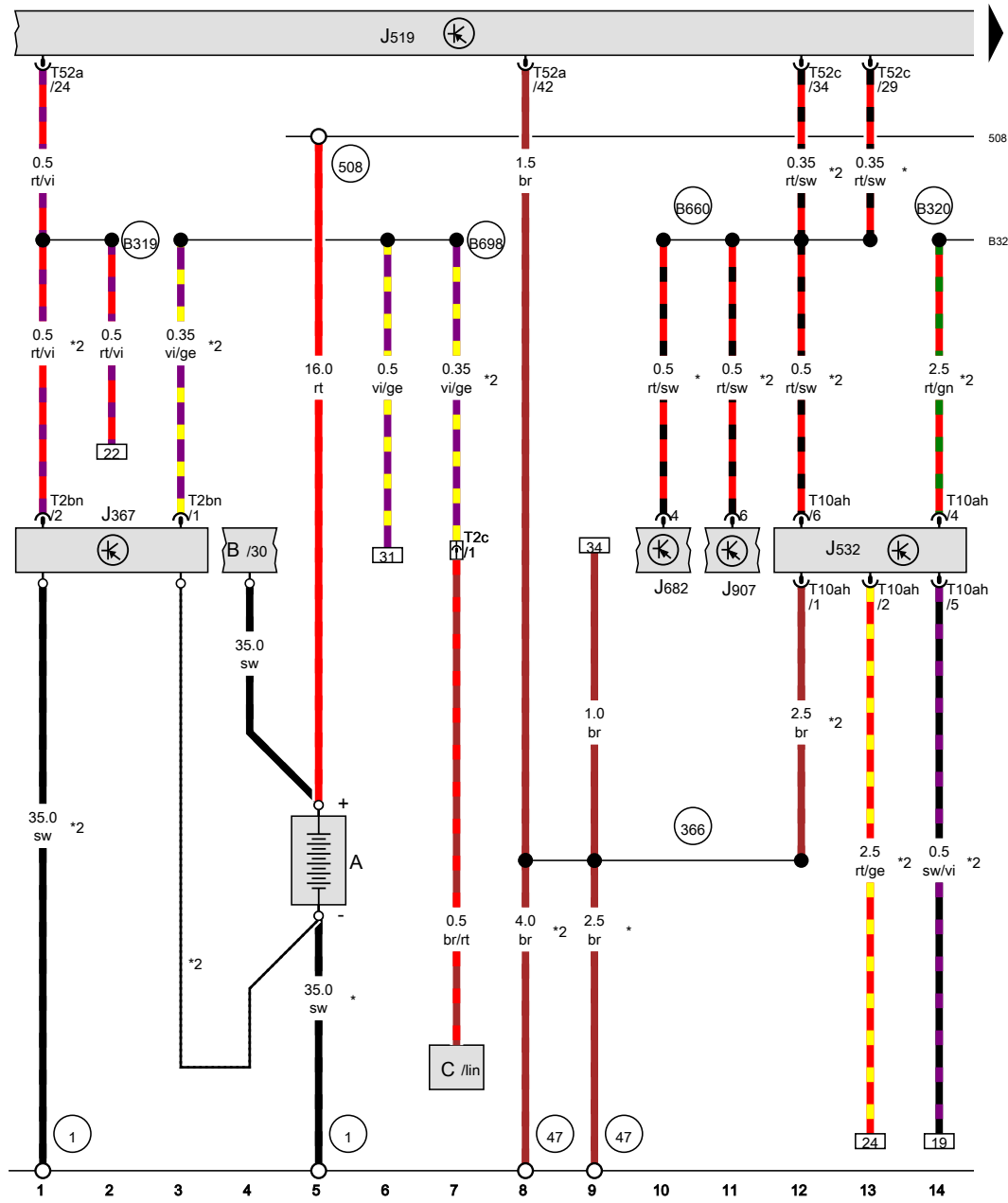
- F1 Oil pressure switch
- G1 Fuel gauge
- G3 Engine coolant temperature gauge
- G32 Engine coolant level sensor
- H3 Warning buzzer and tone
- J285 Instrument cluster control module
- K3 Oil pressure indicator lamp
- K31 Cruise control indicator lamp
- K38 Oil level indicator lamp
- K83 Malfunction indicator lamp
- K105 Low fuel level indicator lamp
- K132 Electronic power control malfunction indicator lamp
- T14a 14-pin connector, near the battery
- T32 32-pin connector

410 Sensor ground connection 1 (in main wiring harness)



## Multifunction steering wheel

from May 2010



**Battery, Battery monitoring control module, Voltage stabilizer**

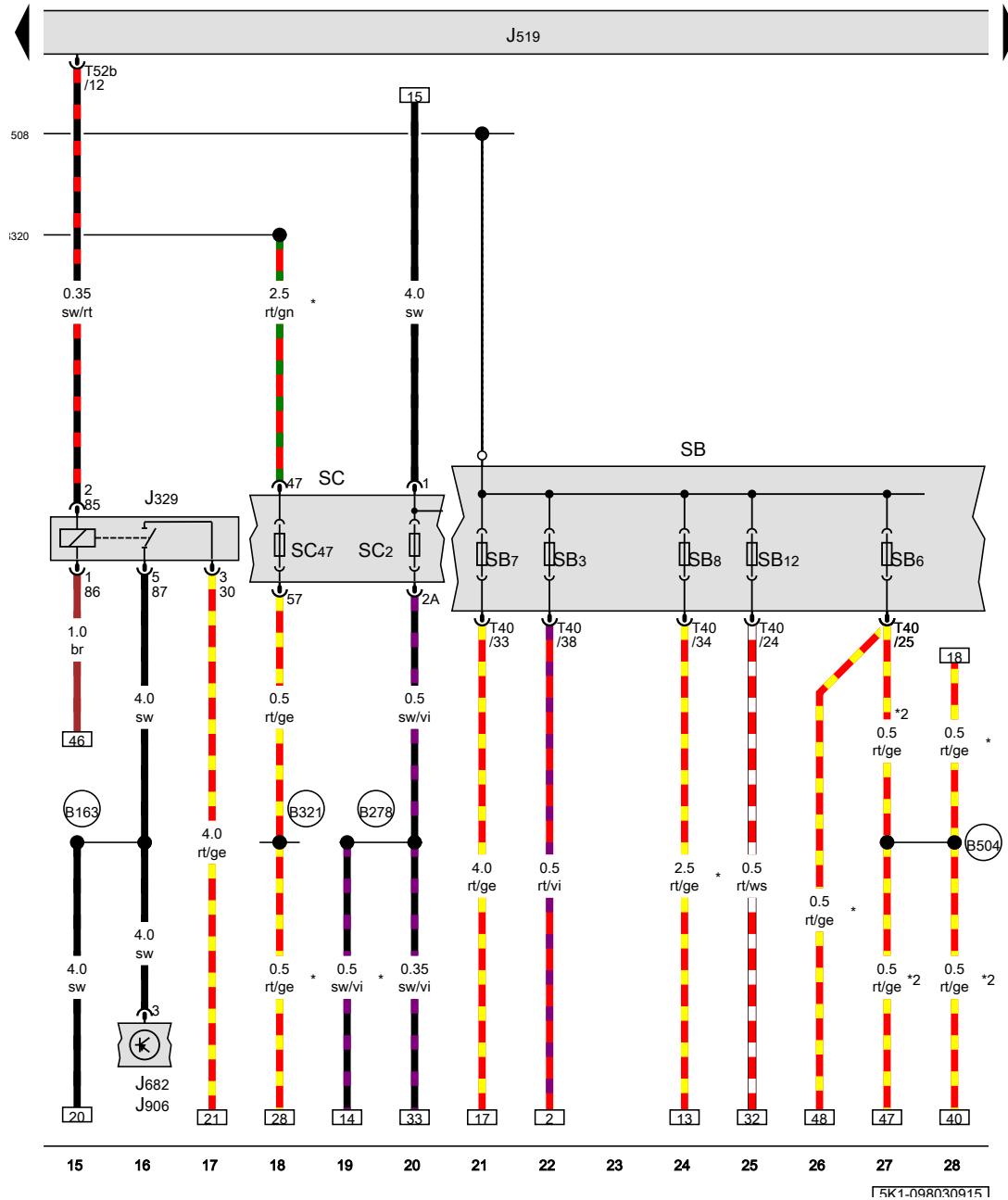
- A Battery
- B Starter
- C Generator
- J367 Battery monitoring control module
- J519 Vehicle electrical control module system
- J532 Voltage stabilizer
- J682 Terminal 50 power supply relay
- J907 Starter relay 2
- T2bn 2-pin connector
- T2c 2-pin connector, near the starter
- T10ah 10-pin connector
- T52a 52-pin connector
- T52c 52-pin connector

- 1 Ground strap, battery to body
- 47 Ground connection in right front footwell
- 366 Ground connection 1 (in main wiring harness)
- 508 Terminal 30 threaded connection (on E-box)
- B319 Positive connection 5 (30a) (in main wiring harness)
- B320 Positive connection 6 (30a) (in main wiring harness)
- B660 Diagnostic terminal 50 connection (in main wiring harness)
- B698 LIN bus connection 3 (in main wiring harness)
- \* Only for vehicles without Start/Stop system
- \*2 Only for vehicles with Start/Stop system

- ws = white
- sw = black
- ro = red
- rt = red
- br = brown
- gn = green
- bl = blue
- gr = grey
- li = lilac
- vi = lilac
- ge = yellow
- or = orange
- rs = pink

1519208091-15

Terminal 15 power supply relay, Fuse panel B, Fuse panel C



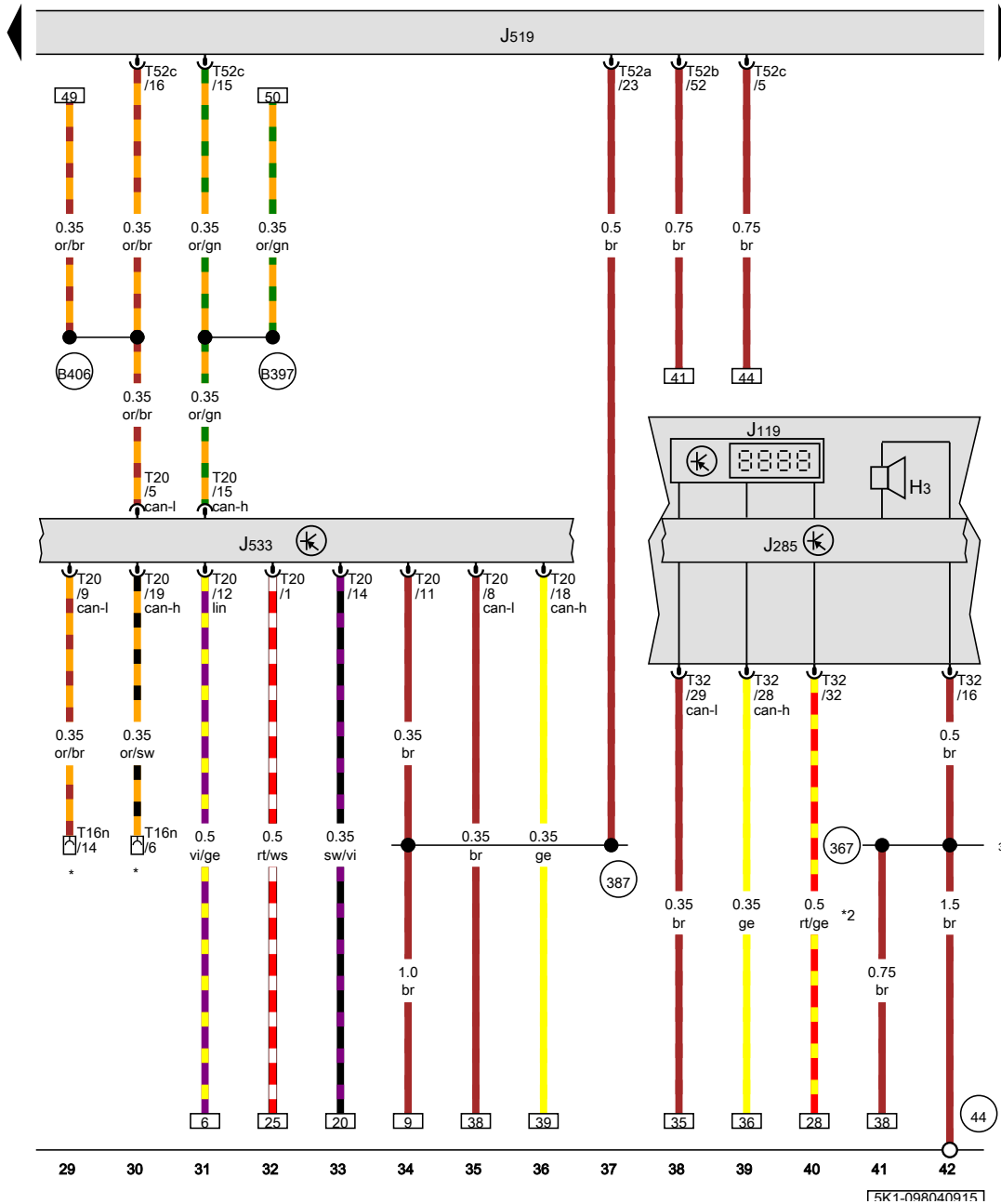
- J329 Terminal 15 power supply relay
- J519 Vehicle electrical control module system
- J682 Terminal 50 power supply relay
- J906 Starter relay 1
- SB Fuse panel B
- SC Fuse panel C
- SC2 Fuse 2 (on fuse panel C)
- SB3 Fuse 3 (on fuse panel B)
- SB6 Fuse 6 (on fuse panel B)
- SB7 Fuse 7 (on fuse panel B)
- SB8 Fuse 8 (on fuse panel B)
- SB12 Fuse 12 (on fuse panel B)
- SC47 Fuse 47 (on fuse panel C)
- T40 40-pin connector
- T52b 52-pin connector

- (508) Terminal 30 threaded connection (on E-box)
- (B163) Positive connection 1 (15) (in interior wiring harness)
- (B278) Positive connection 2 (15a) (in main wiring harness)
- (B320) Positive connection 6 (30a) (in main wiring harness)
- (B321) Positive connection 7 (30a) (in main wiring harness)
- (B504) Positive connection 8 (30a) (in interior wiring harness)

\* Only for vehicles with Start/Stop system  
 \*2 Only for vehicles without Start/Stop system

- ws = white
- sw = black
- ro = red
- rt = red
- br = brown
- gn = green
- bl = blue
- gr = grey
- li = lilac
- vi = lilac
- ge = yellow
- or = orange
- rs = pink

15K1-098030915



Multifunction indicator, Instrument cluster control module, Data bus on board diagnostic interface

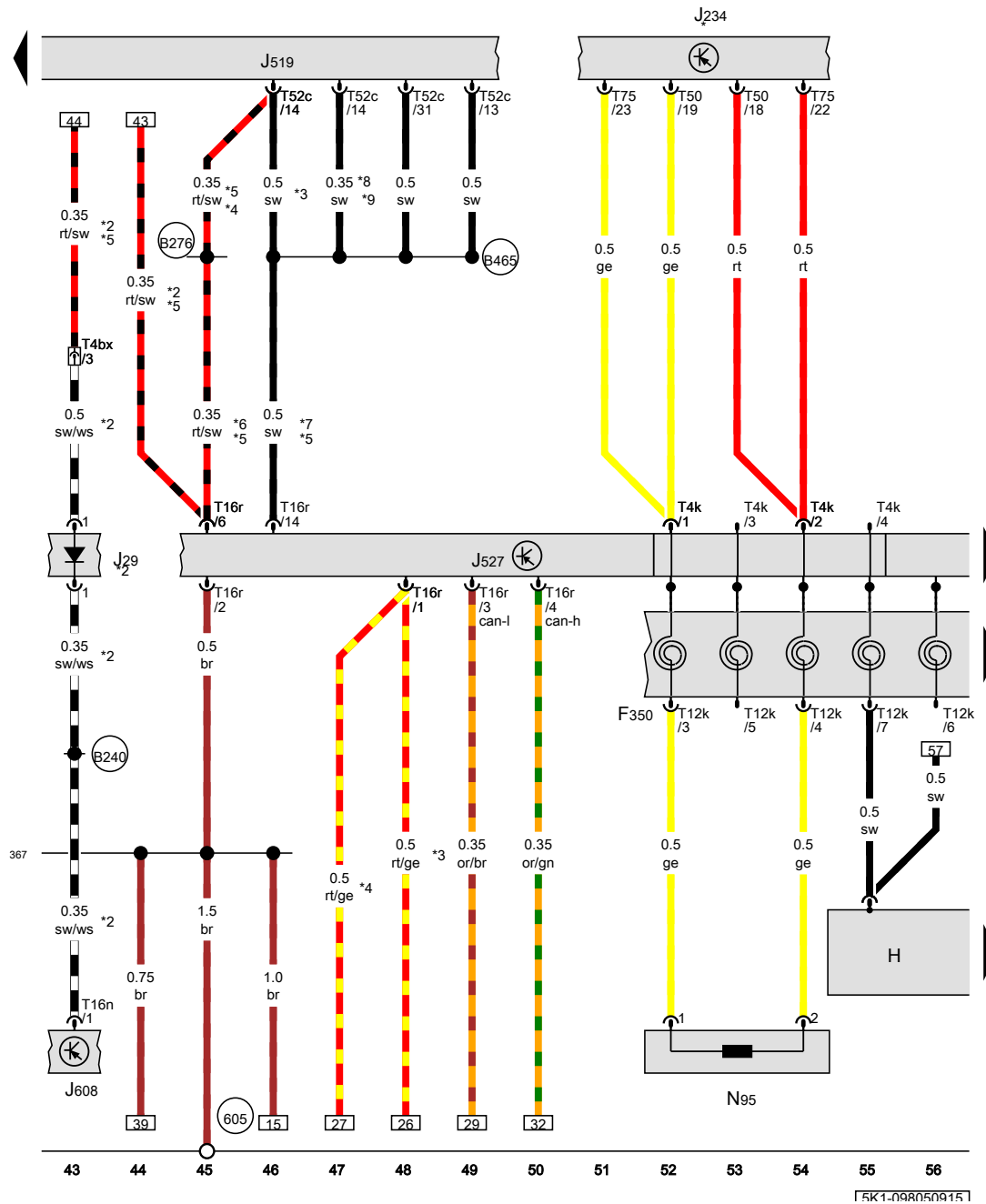
- H3 Warning buzzer and tone
- J119 Multifunction indicator
- J285 Instrument cluster control module
- J519 Vehicle electrical control module system
- J533 Data bus on board diagnostic interface, in the left footwell, near the center console
- T16n 16-pin connector, under the instrument panel, left
- T20 20-pin connector
- T32 32-pin connector
- T52a 52-pin connector
- T52b 52-pin connector
- T52c 52-pin connector

- 44 Ground connection on A-pillar, lower left
- 367 Ground connection 2 (in main wiring harness)
- 387 Ground connection 22 (in main wiring harness)
- B397 Comfort system CAN bus high connection 1 (in main wiring harness)
- B406 Comfort system CAN bus low connection 1 (in main wiring harness)
- \* Diagnostic connector
- \*2 Only for vehicles without Start/Stop system

- ws = white
- sw = black
- ro = red
- rt = red
- br = brown
- gn = green
- bl = blue
- gr = grey
- li = lilac
- vi = lilac
- ge = yellow
- or = orange
- rs = pink

15K1-09R040915





Signal horn activation, Steering column electronics control module, Driver airbag igniter

- F350 Spiral spring
- H Signal horn activation
- J29 Blocking diode
- J234 Airbag control module
- J519 Vehicle electrical control module system
- J527 Steering column electronics control module
- J608 Special purpose vehicle control module
- N95 Driver airbag igniter
- T4bx 4-pin connector, near the lower left A-pillar
- T4k 4-pin connector
- T12k 12-pin connector
- T16n 16-pin connector
- T16r 16-pin connector
- T50 50-pin connector
- T52c 52-pin connector
- T75 75-pin connector

- (367) Ground connection 2 (in main wiring harness)
- (605) Ground connection on upper steering column
- (B240) Positive connection 2 (50) (in interior wiring harness)
- (B276) Positive connection (50) (in main wiring harness)
- (B465) Connection 1 (in main wiring harness)

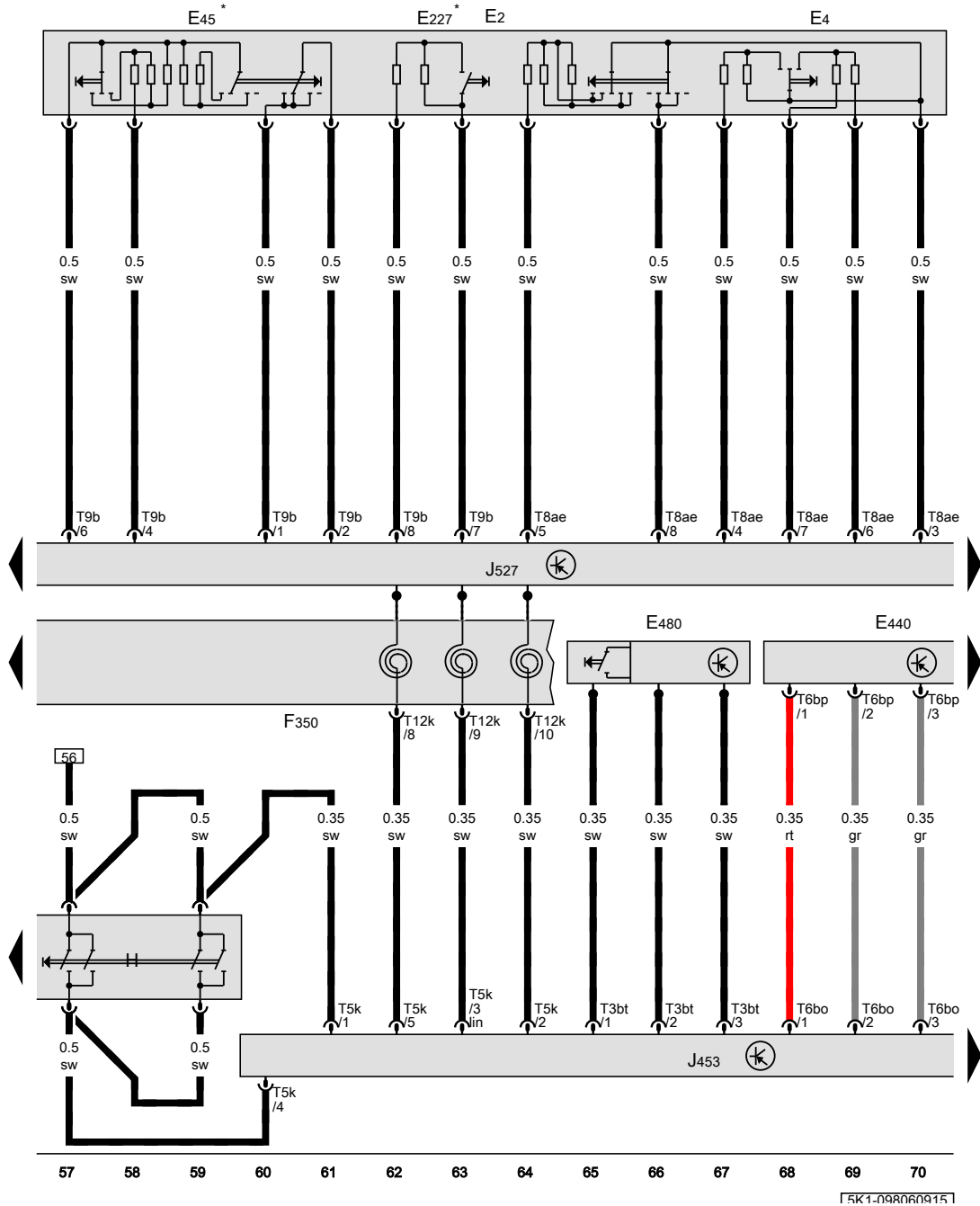
- \* Refer to applicable airbag wiring diagram
- \*2 only for vehicles with driving assistance special equipment
- \*3 Only for vehicles with Start/Stop system
- \*4 Only for vehicles without Start/Stop system
- \*5 Only for vehicles without access/start authorization system
- \*6 only for vehicles without driving assistance special equipment
- \*7 only for vehicles without police special equipment
- \*8 Only for vehicles with US equipment
- \*9 Refer to applicable engine wiring diagram

- ws = white
- sw = black
- ro = red
- rt = red
- br = brown
- gn = green
- bl = blue
- gr = grey
- li = lilac
- vi = lilac
- ge = yellow
- or = orange
- rs = pink

15K1-09R050915

Turn signal switch, Headlamp dimmer/flasher switch, Cruise control switch, Cruise control -SET- button, Left multifunction buttons on steering wheel, tiptronic downshift button, Signal horn activation, Multifunction steering wheel control module, Steering column electronics control module

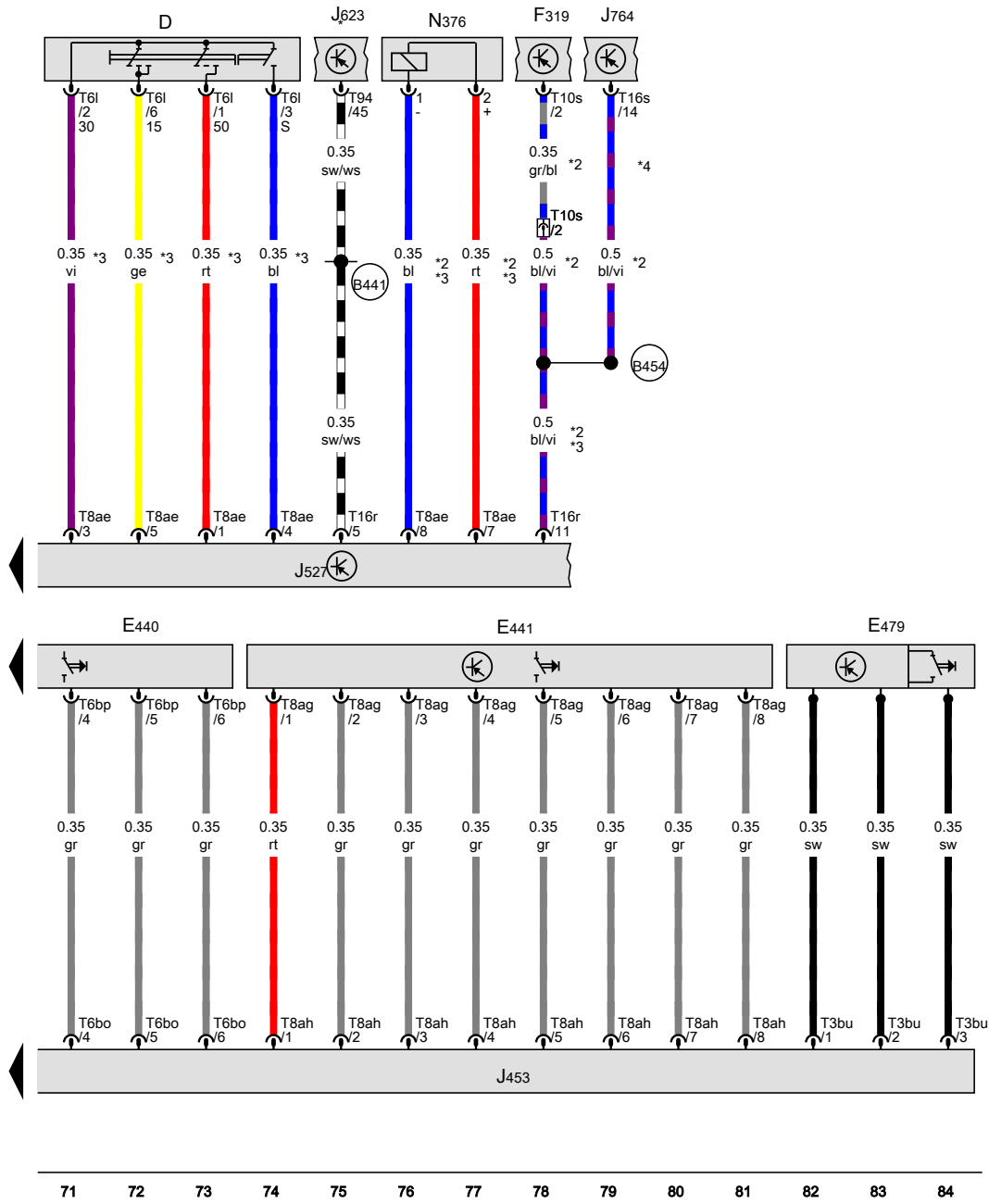
- E2 Turn signal switch
- E4 Headlamp dimmer/flasher switch
- E45 Cruise control switch
- E227 Cruise control -SET- button
- E440 Left multifunction buttons on steering wheel
- E480 tiptronic downshift button
- F350 Spiral spring
- H Signal horn activation
- J453 Multifunction steering wheel control module, in the steering wheel
- J527 Steering column electronics control module
- T3bt 3-pin connector
- T5k 5-pin connector
- T6bo 6-pin connector
- T6bp 6-pin connector
- T8ae 8-pin connector
- T9b 9-pin connector
- T12k 12-pin connector
- \* Only for vehicles with cruise control



- ws = white
- sw = black
- ro = red
- rt = red
- br = brown
- gn = green
- bl = blue
- gr = grey
- li = lilac
- vi = lilac
- ge = yellow
- or = orange
- rs = pink

151098001-15K1

Ignition/starter switch, Left multifunction buttons on steering wheel, Right multifunction buttons on steering wheel, tiptronic upshift button, Multifunction steering wheel control module, Steering column electronics control module, Ignition switch key lock solenoid



- D Ignition/starter switch
- E440 Left multifunction buttons on steering wheel
- E441 Right multifunction buttons on steering wheel
- E479 tiptronic upshift button
- F319 Selector lever park position lock switch
- J453 Multifunction steering wheel control module, in the steering wheel
- J527 Steering column electronics control module
- J623 Engine control module
- J764 Electronic steering column lock control module
- N376 Ignition switch key lock solenoid, on the ignition/starter switch
- T3bu 3-pin connector
- T6bo 6-pin connector
- T6bp 6-pin connector
- T6l 6-pin connector
- T8ae 8-pin connector
- T8ag 8-pin connector
- T8ah 8-pin connector
- T10s 10-pin connector, under the selector lever
- T16r 16-pin connector
- T16s 16-pin connector
- T94 94-pin connector

B441 Cruise control connection (in main wiring harness)

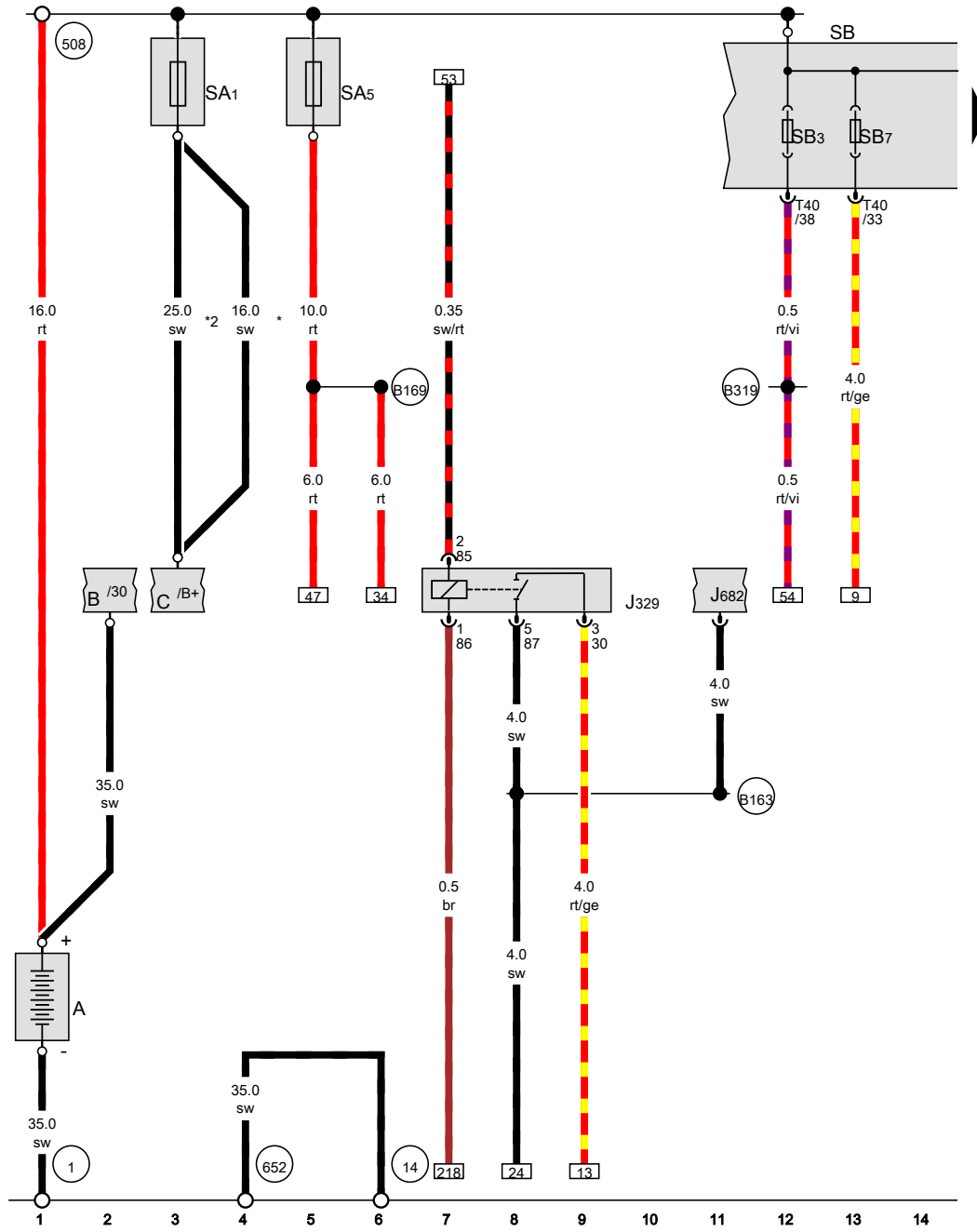
B454 Shift lock connection (in main wiring harness)

- \* Refer to applicable engine wiring diagram
- \*2 Only for vehicles with DSG transmission
- \*3 Only for vehicles without access/start authorization system
- \*4 Only for vehicles with access/start authorization system

- ws = white
- sw = black
- ro = red
- rt = red
- br = brown
- gn = green
- bl = blue
- gr = grey
- li = lilac
- vi = lilac
- ge = yellow
- or = orange
- rs = pink

**Standard equipment (NAR)**

from May 2010



Battery, Terminal 15 power supply relay, Fuse 1 (on fuse panel A), Fuse 5 (on fuse panel A), Fuse panel B

- A Battery
- B Starter
- C Generator
- J329 Terminal 15 power supply relay
- J682 Terminal 50 power supply relay
- SA1 Fuse 1 (on fuse panel A)
- SA5 Fuse 5 (on fuse panel A)
- SB Fuse panel B
- SB7 Fuse 7 (on fuse panel B)
- T40 40-pin connector

- 1 Ground strap, battery to body
- 14 Ground connection on transmission
- 508 Terminal 30 threaded connection (on E-box)
- 652 Transmission/engine ground connection
- B163 Positive connection 1 (15) (in interior wiring harness)
- B169 Positive connection 1 (30) (in interior wiring harness)
- B319 Positive connection 5 (30a) (in main wiring harness)
- \* Only for vehicles with 90 A/120 A generator
- \*2 Only for vehicles with a generator (140 A)

- ws = white
- sw = black
- ro = red
- rt = red
- br = brown
- gn = green
- bl = blue
- gr = grey
- li = lilac
- vi = lilac
- ge = yellow
- or = orange
- rs = pink

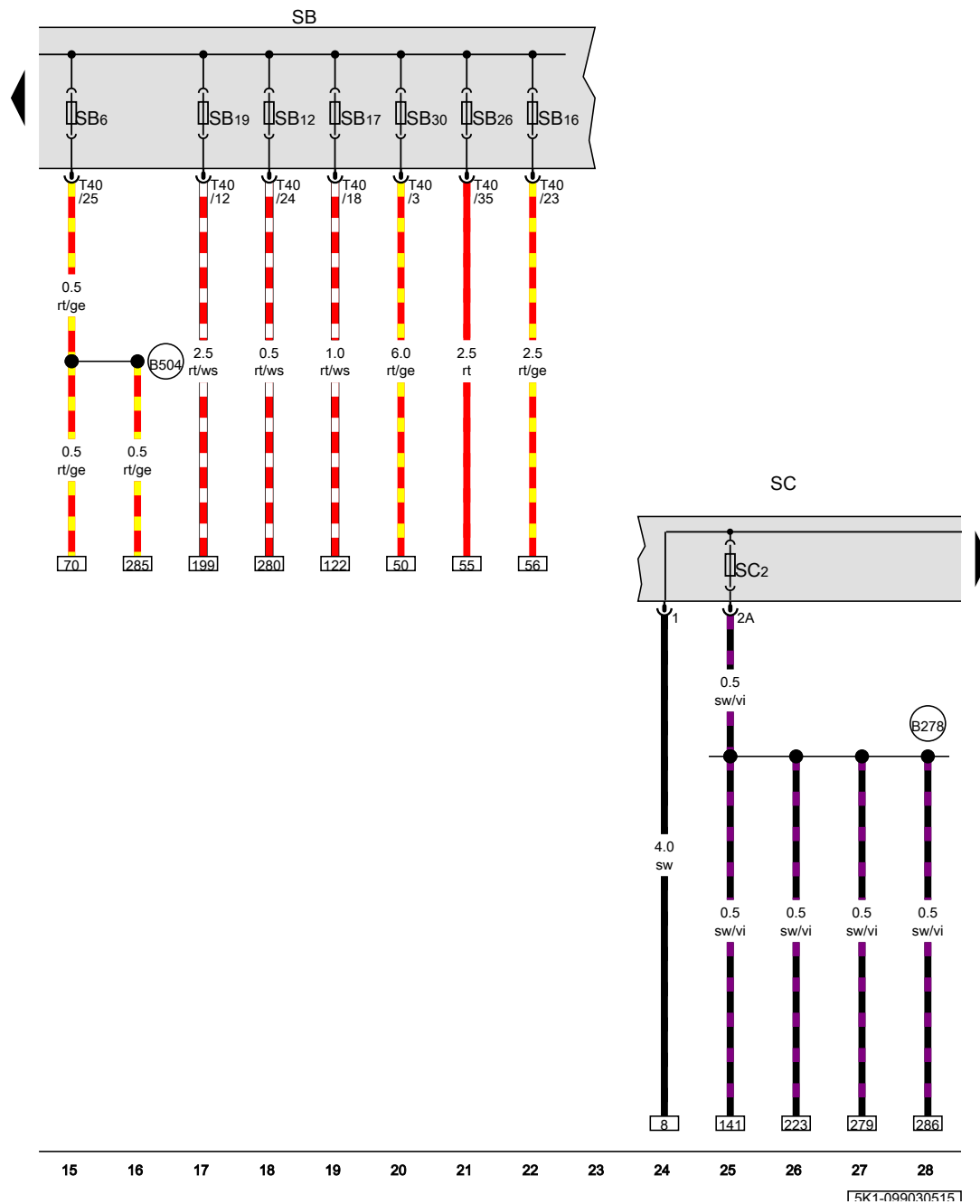
ГСК1-0990205151

Fuse panel B, Fuse panel C

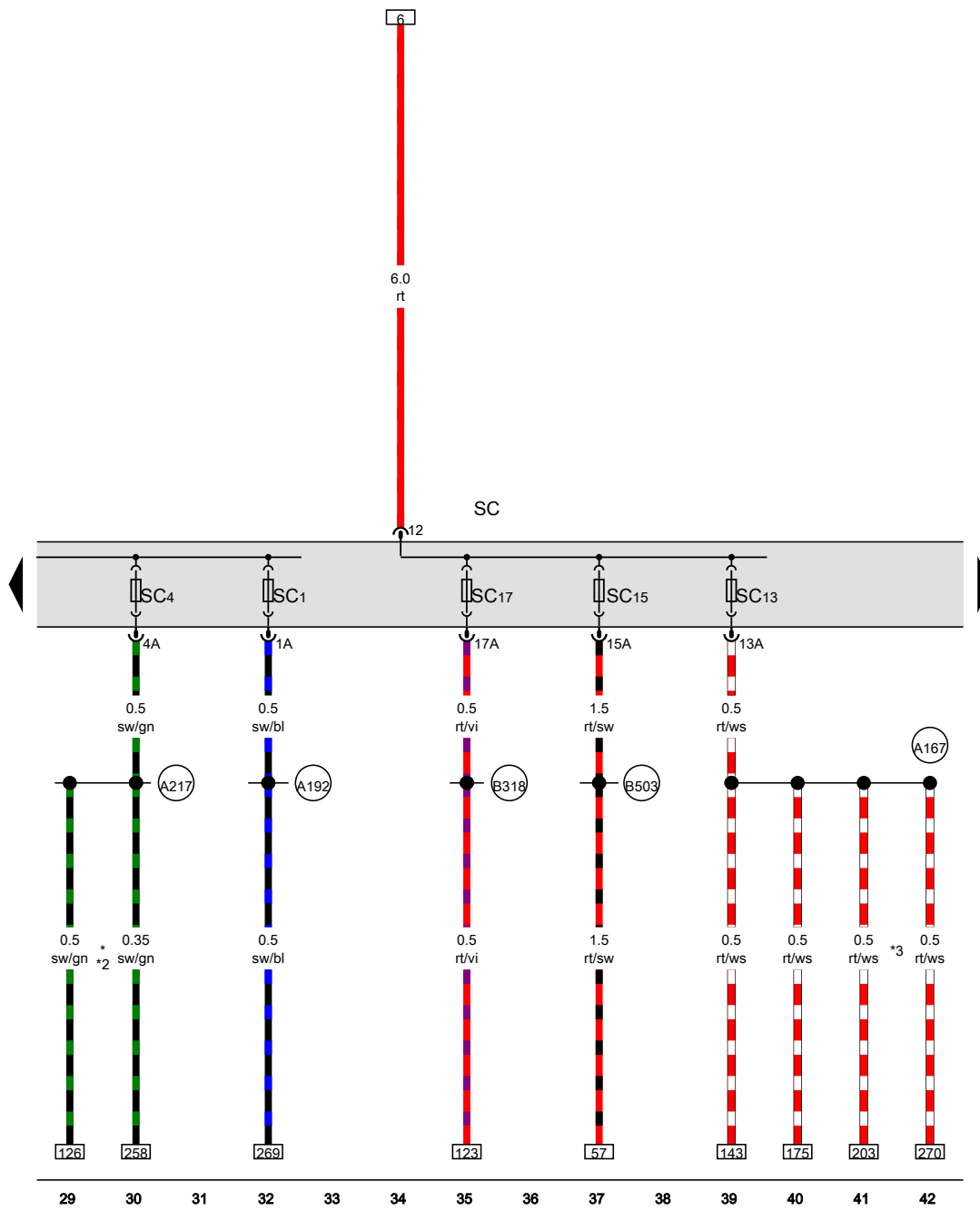
- SB Fuse panel B
- SC2 Fuse 2 (on fuse panel C)
- SB6 Fuse 6 (on fuse panel B)
- SB12 Fuse 12 (on fuse panel B)
- SB16 Fuse 16 (on fuse panel B)
- SB17 Fuse 17 (on fuse panel B)
- SB19 Fuse 19 (on fuse panel B)
- SB26 Fuse 26 (on fuse panel B)
- SB30 Fuse 30 (on fuse panel B)
- SC Fuse panel C
- T40 40-pin connector

(B278) Positive connection 2 (15a) (in main wiring harness)

(B504) Positive connection 8 (30a) (in interior wiring harness)



- ws = white
- sw = black
- ro = red
- rt = red
- br = brown
- gn = green
- bl = blue
- gr = grey
- li = lilac
- vi = lilac
- ge = yellow
- or = orange
- rs = pink



Fuse panel C

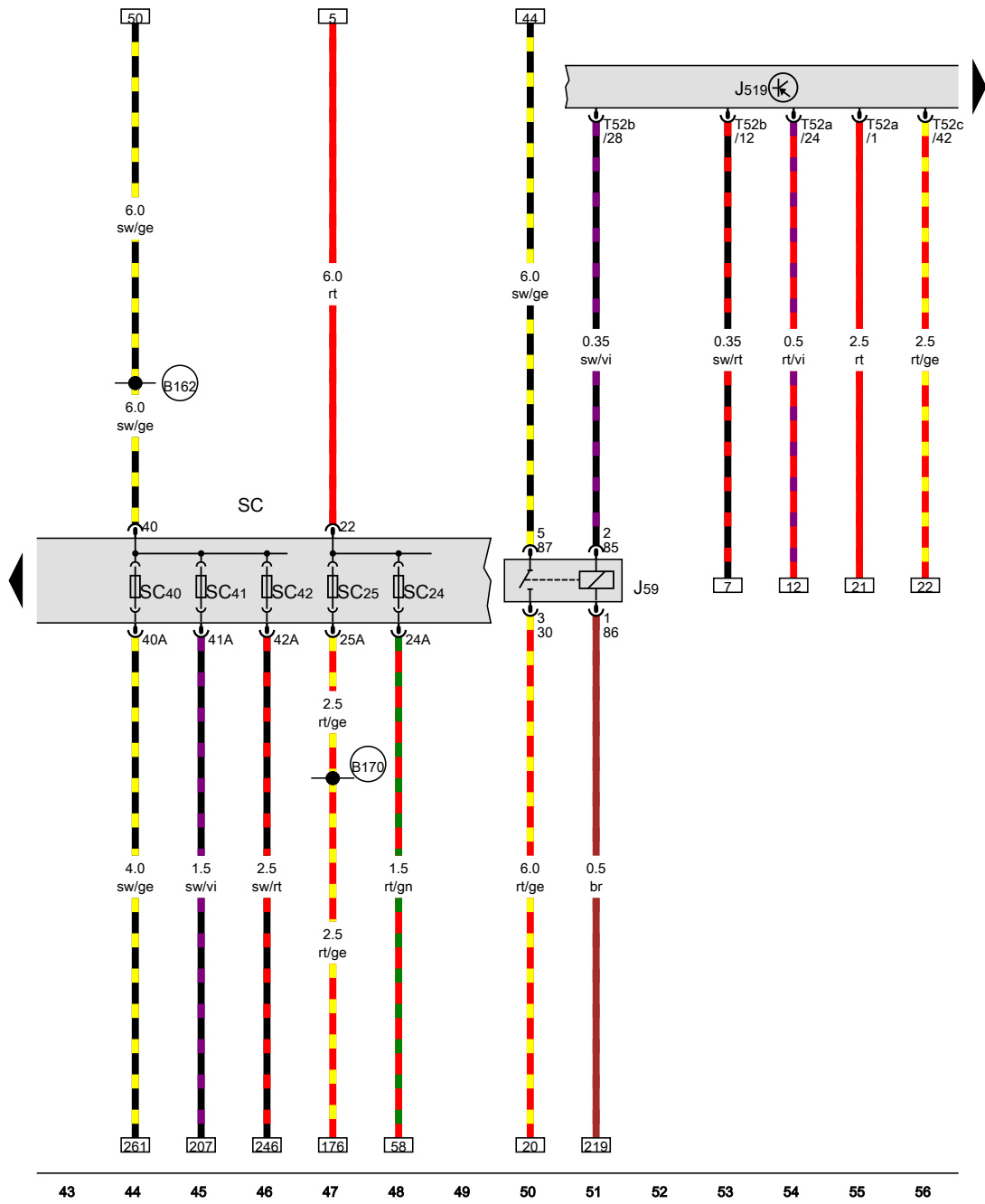
- SC Fuse panel C
- SC1 Fuse 1 (on fuse panel C)
- SC4 Fuse 4 (on fuse panel C)
- SC13 Fuse 13 (on fuse panel C)
- SC15 Fuse 15 (on fuse panel C)
- SC17 Fuse 17 (on fuse panel C)

- A167 Positive connection 3 (30a) (in instrument panel wiring harness)
- A192 Positive connection 3 (15a) (in instrument panel wiring harness)
- A217 Positive connection 8 (15a) (in instrument panel wiring harness)
- B318 Positive connection 4 (30a) (in main wiring harness)
- B503 Positive connection 7 (30a) (in interior wiring harness)

- \* not for vehicles with dual clutch transmission
- \*2 only for vehicles without automatic transmission
- \*3 Only for vehicles with rain/light recognition sensor

ws = white  
 sw = black  
 ro = red  
 rt = red  
 br = brown  
 gn = green  
 bl = blue  
 gr = grey  
 li = lilac  
 vi = lilac  
 ge = yellow  
 or = orange  
 rs = pink

15K1-999405151



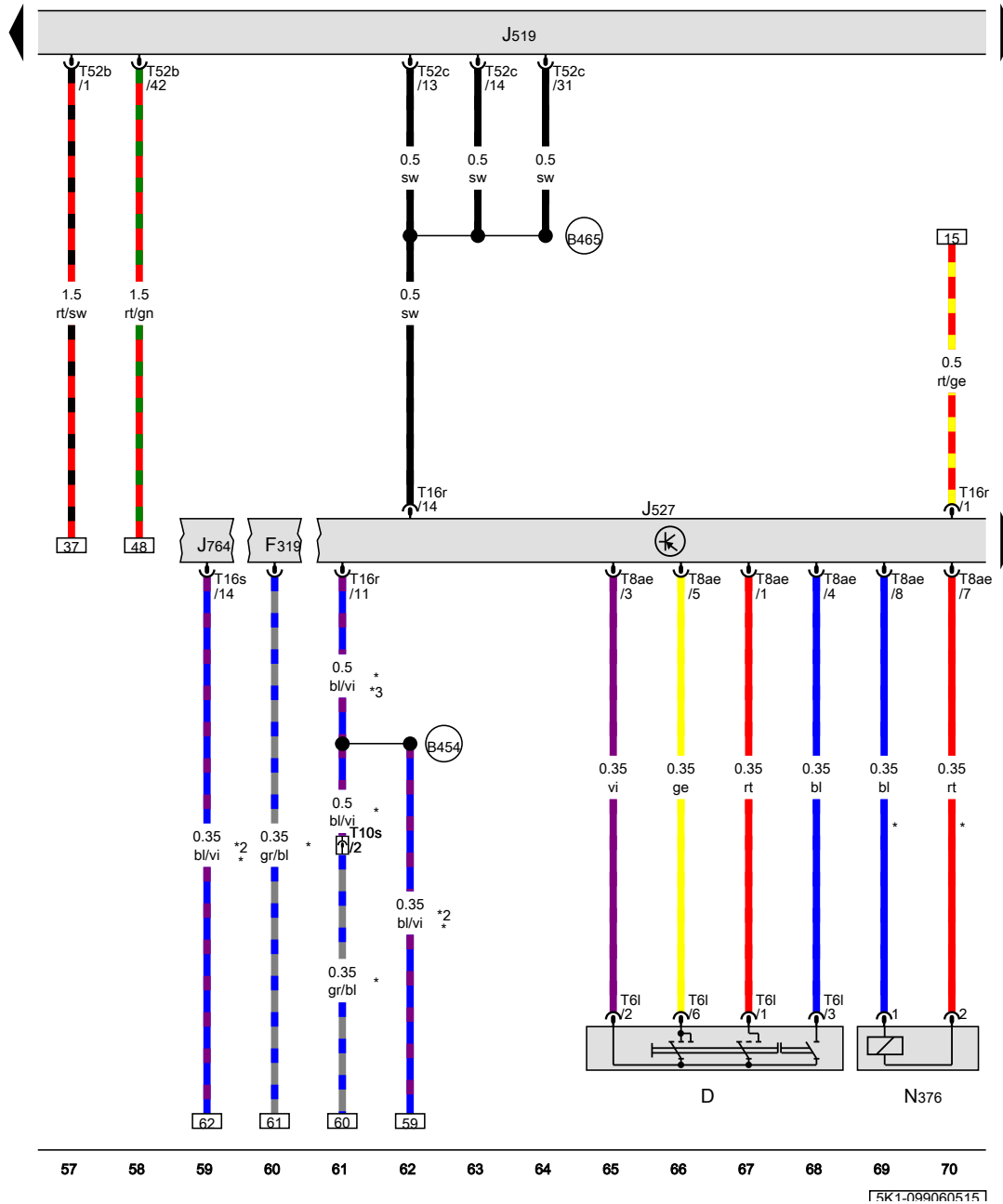
Load reduction relay, Fuse panel C

- J59 Load reduction relay
- J519 Vehicle electrical control module system
- SC Fuse panel C
- SC24 Fuse 24 (on fuse panel C)
- SC25 Fuse 25 (on fuse panel C)
- SC40 Fuse 40 (on fuse panel C)
- SC41 Fuse 41 (on fuse panel C)
- SC42 Fuse 42 (on fuse panel C)
- T52a 52-pin connector
- T52b 52-pin connector
- T52c 52-pin connector
- B162 Connection 75a (in interior wiring harness)
- B170 Positive connection 2 (30) (in interior wiring harness)

- ws = white
- sw = black
- ro = red
- rt = red
- br = brown
- gn = green
- bl = blue
- gr = grey
- li = lilac
- vi = lilac
- ge = yellow
- or = orange
- rs = pink

15K1-099050515





Ignition/starter switch, Steering column electronics control module, Ignition switch key lock solenoid

- D Ignition/starter switch
- F319 Selector lever park position lock switch
- J519 Vehicle electrical control module system
- J527 Steering column electronics control module
- J764 Electronic steering column lock control module
- N376 Ignition switch key lock solenoid, on the ignition/starter switch
- T6l 6-pin connector
- T8ae 8-pin connector
- T10s 10-pin connector, under the selector lever
- T16r 16-pin connector
- T16s 16-pin connector
- T52b 52-pin connector
- T52c 52-pin connector

B454 Shift lock connection (in main wiring harness)

B465 Connection 1 (in main wiring harness)

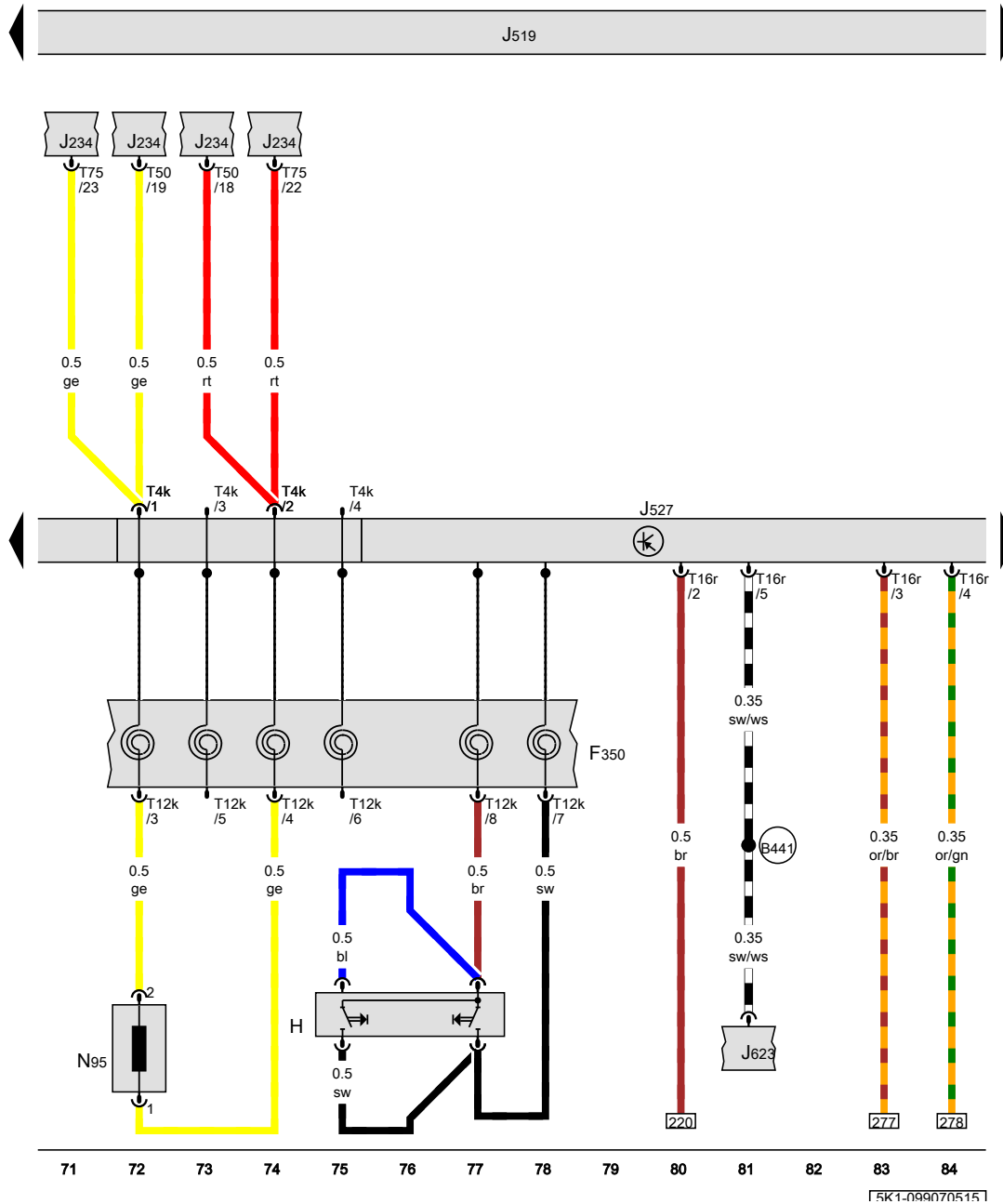
- \* Only for vehicles with DSG transmission
- \*2 only for vehicles with access/start authorization system
- \*3 Only for vehicles without access/start authorization system

- ws = white
- sw = black
- ro = red
- rt = red
- br = brown
- gn = green
- bl = blue
- gr = grey
- li = lilac
- vi = lilac
- ge = yellow
- or = orange
- rs = pink

Signal horn activation, Steering column electronics control module, Driver airbag igniter

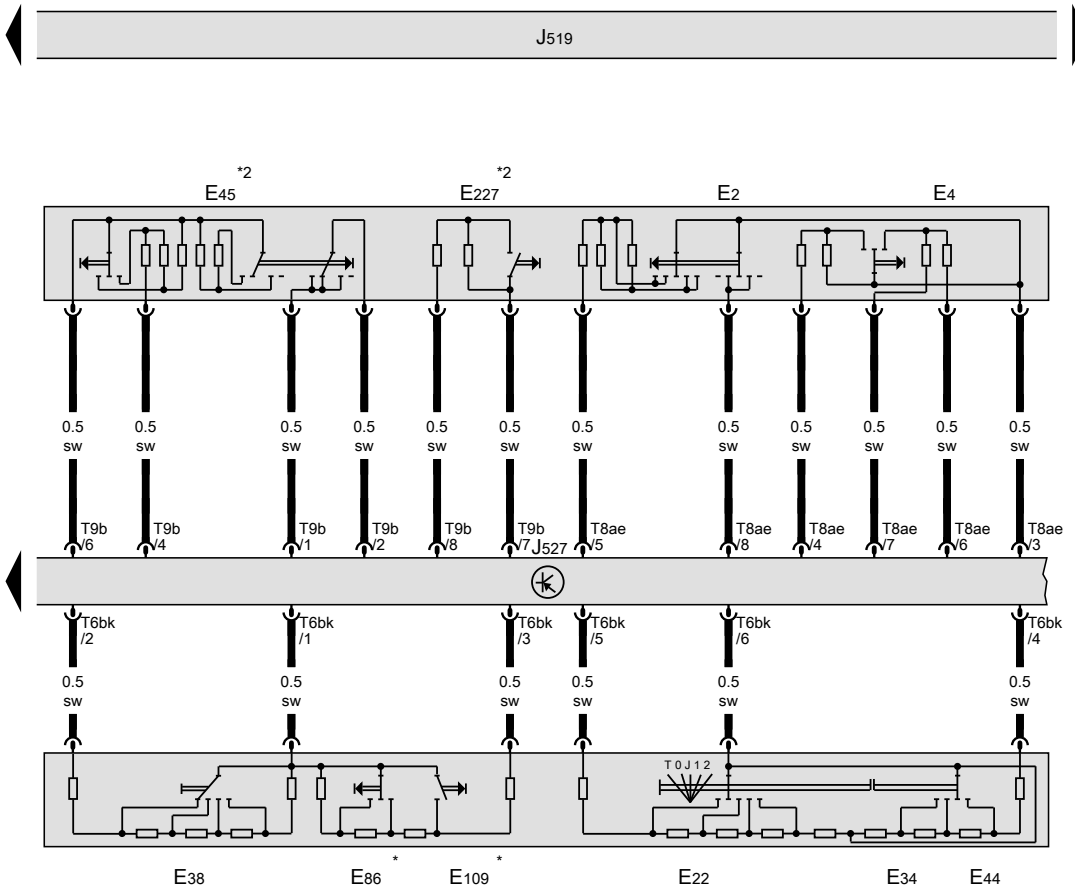
- F350 Spiral spring
- H Signal horn activation
- J234 Airbag control module
- J519 Vehicle electrical control module system
- J527 Steering column electronics control module
- J623 Engine control module
- N95 Driver airbag igniter
- T4k 4-pin connector
- T12k 12-pin connector
- T16r 16-pin connector
- T50 50-pin connector
- T75 75-pin connector

(B441) Cruise control connection (in main wiring harness)



- ws = white
- sw = black
- ro = red
- rt = red
- br = brown
- gn = green
- bl = blue
- gr = grey
- li = lilac
- vi = lilac
- ge = yellow
- or = orange
- rs = pink

15K1-0990705151



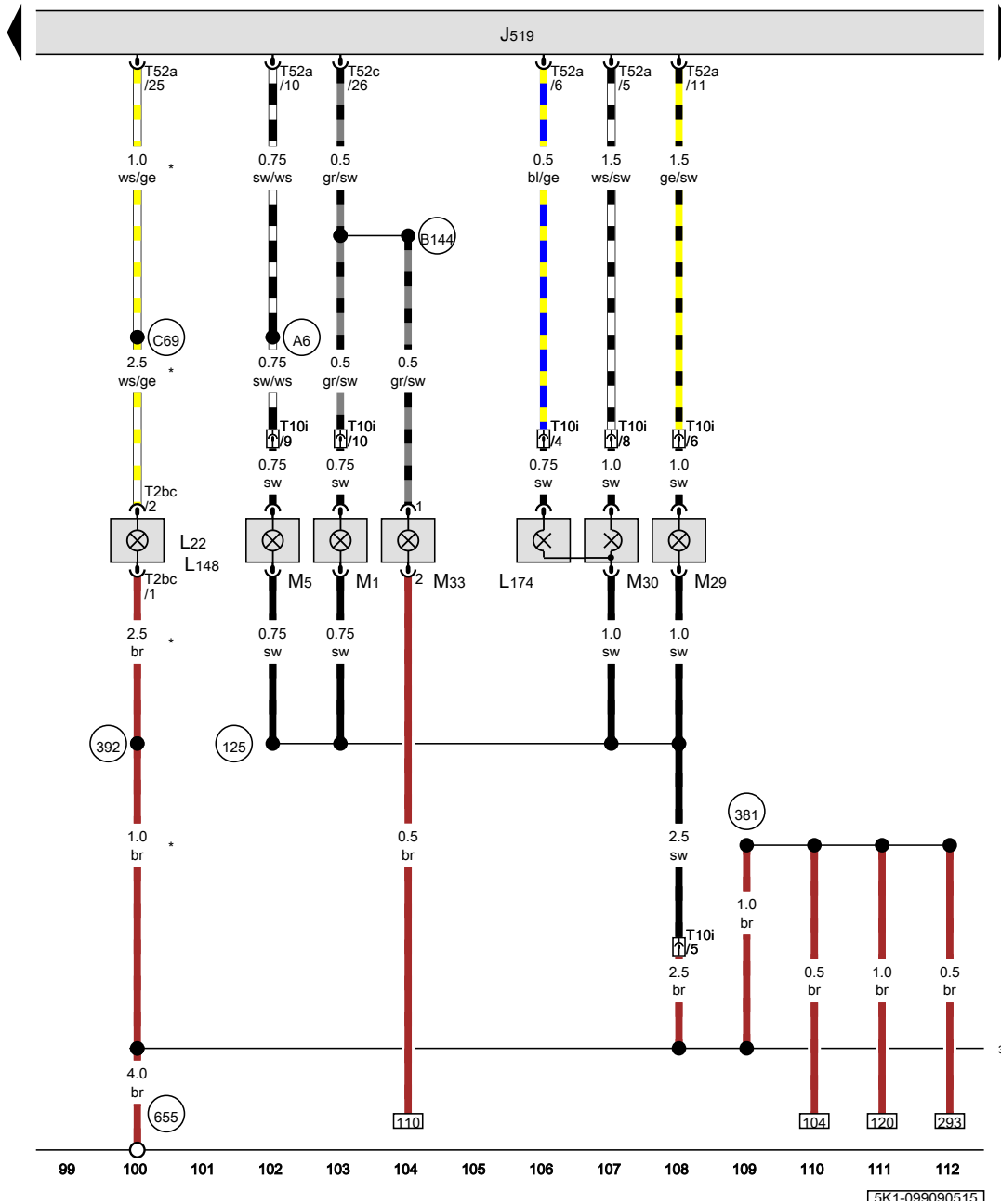
Turn signal switch, Headlamp dimmer/flasher switch, Windshield wiper intermittent mode switch, Rear window wiper switch, Windshield wiper intermittent regulator, Windshield and headlamp washer pump switch, Cruise control switch, Multifunction indicator selection switch, Multifunction indicator memory switch, Cruise control -SET- button, Steering column electronics control module

- E2 Turn signal switch
- E4 Headlamp dimmer/flasher switch
- E22 Windshield wiper intermittent mode switch
- E34 Rear window wiper switch
- E38 Windshield wiper intermittent regulator
- E44 Windshield and headlamp washer pump switch
- E45 Cruise control switch
- E86 Multifunction indicator selection switch
- E109 Multifunction indicator memory switch
- E227 Cruise control -SET- button
- J519 Vehicle electrical control module system
- J527 Steering column electronics control module
- T6bk 6-pin connector
- T8ae 8-pin connector
- T9b 9-pin connector
- \* Only for vehicles with multifunction display
- \*2 Only for vehicles with cruise control

- ws = white
- sw = black
- ro = red
- rt = red
- br = brown
- gn = green
- bl = blue
- gr = grey
- li = lilac
- vi = lilac
- ge = yellow
- or = orange
- rs = pink

85 86 87 88 89 90 91 92 93 94 95 96 97 98

15K1-0990805151



Left front fog lamp bulb, Left cornering lamp bulb, Left daytime running lamp bulb, Left position lamp bulb, Left front turn signal bulb, Left low beam headlamp bulb, Left high beam headlamp bulb, Left front side marker lamp bulb

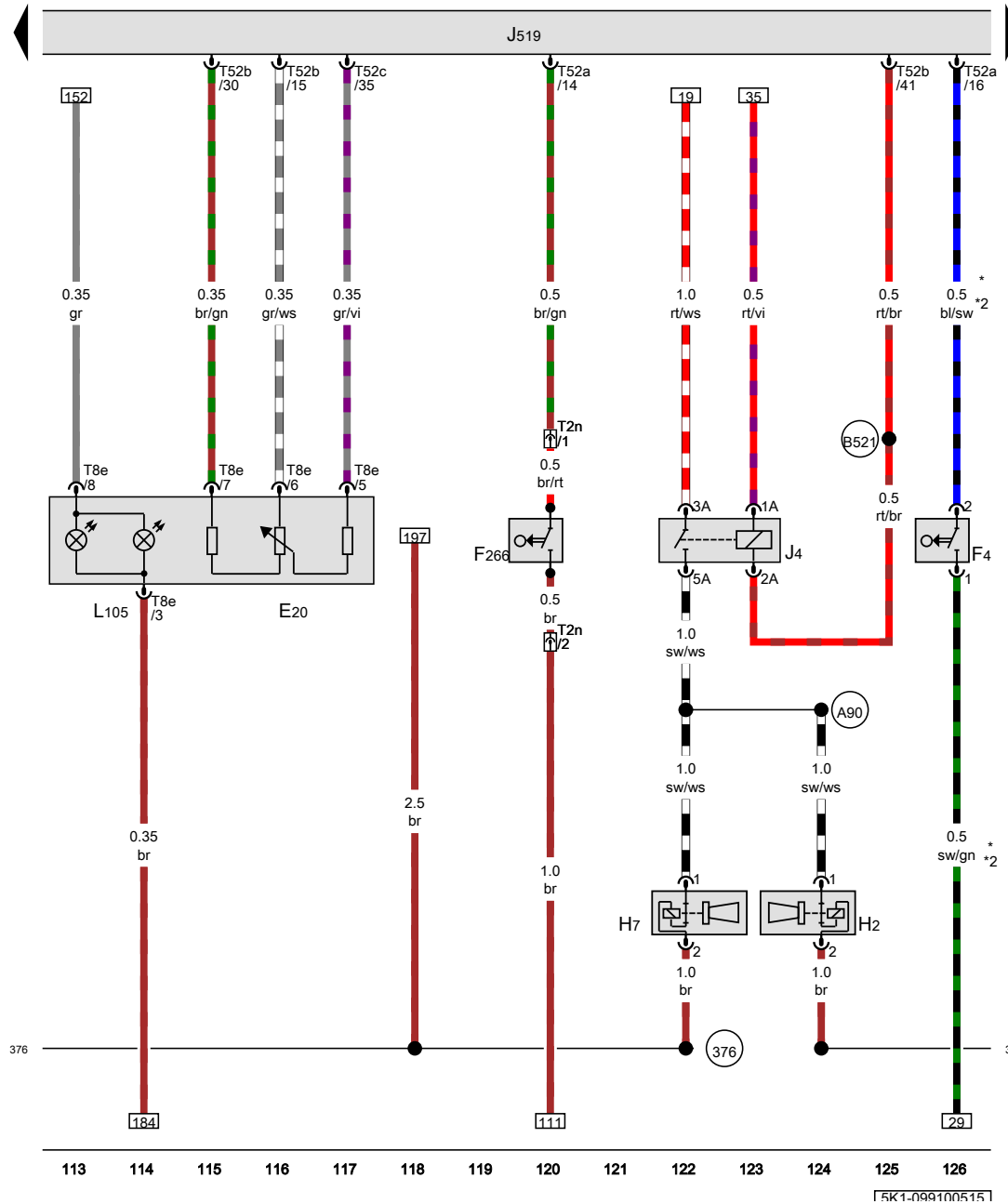
- J519 Vehicle electrical control module system
- L22 Left front fog lamp bulb
- L148 Left cornering lamp bulb
- L174 Left daytime running lamp bulb
- M1 Left position lamp bulb
- M5 Left front turn signal bulb
- M29 Left low beam headlamp bulb
- M30 Left high beam headlamp bulb
- M33 Left front side marker lamp bulb
- T2bc Double connector
- T10i 10-pin connector, on the left headlamp
- T52a 52-pin connector
- T52c 52-pin connector

- (125) Ground connection 3 (in headlamp wiring harness)
- (376) Ground connection 11 (in main wiring harness)
- (381) Ground connection 16 (in main wiring harness)
- (392) Ground connection 27 (in main wiring harness)
- (655) Ground connection on left headlamp
- (A6) Left turn signal positive connection (in instrument panel wiring harness)
- (B144) Positive connection (58L) (in interior wiring harness)
- (C69) Fog lamp connection (in left front wiring harness)
- \* Only for vehicles with fog lamps

- ws = white
- sw = black
- ro = red
- rt = red
- br = brown
- gn = green
- bl = blue
- gr = grey
- li = lilac
- vi = lilac
- ge = yellow
- or = orange
- rs = pink

15K1-099090515

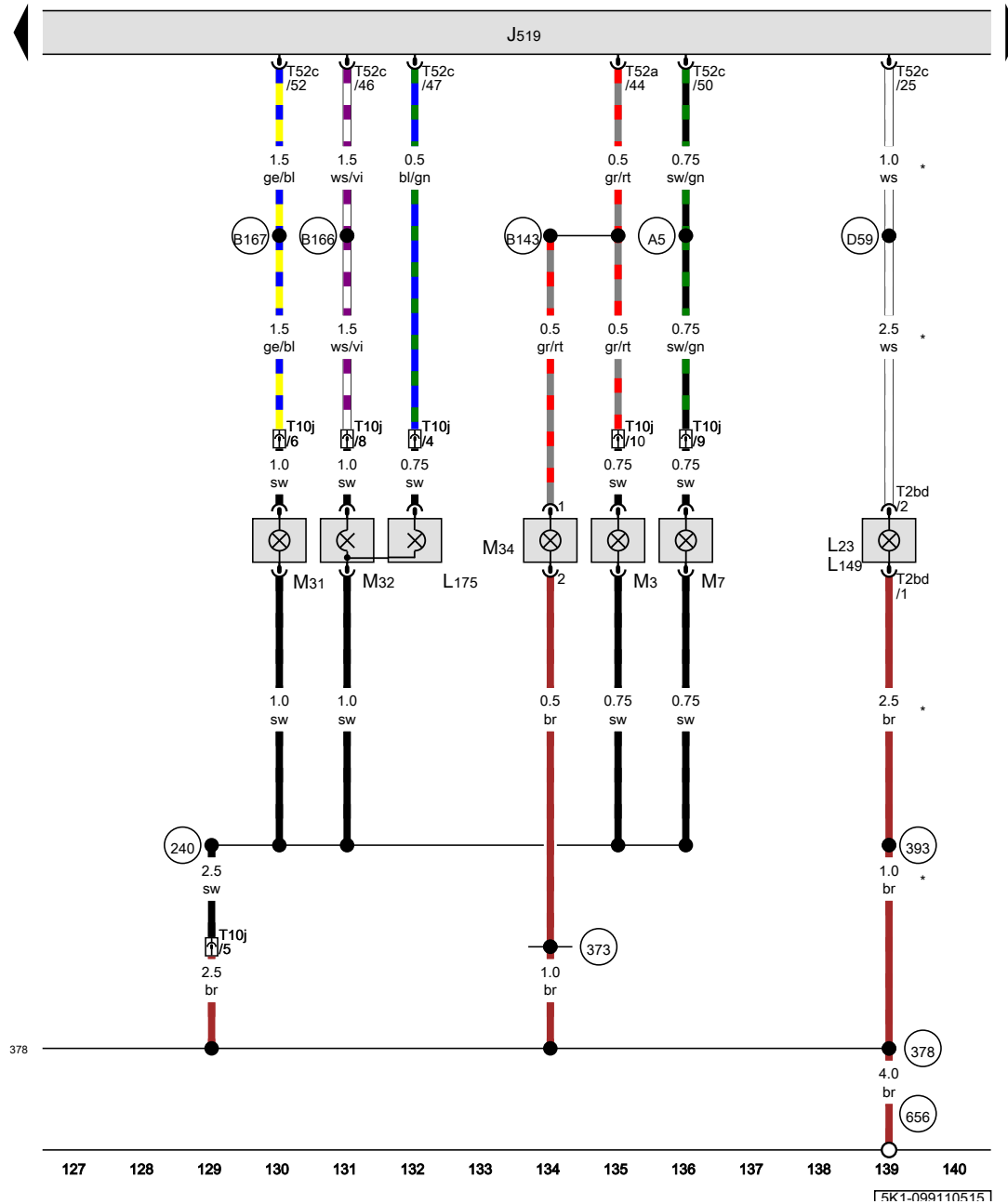
Instrument panel and switch illumination dimmer switch, Back-up lamp switch, Engine hood contact switch, High tone horn, Low tone horn, Dual tone horn relay



- E20 Instrument panel and switch illumination dimmer switch
- F4 Back-up lamp switch
- F266 Engine hood contact switch
- H2 High tone horn
- H7 Low tone horn
- J4 Dual tone horn relay
- J519 Vehicle electrical control module system
- L105 Lighting control illumination bulb
- T2n Double connector, near the left headlamp
- T8e 8-pin connector
- T52a 52-pin connector
- T52b 52-pin connector
- T52c 52-pin connector
- 376 Ground connection 11 (in main wiring harness)
- 378 Ground connection 13 (in main wiring harness)
- A90 Dual tone horn connection (in instrument panel wiring harness)
- B521 Dual tone horn connection (in main wiring harness)
- \* not for vehicles with dual clutch transmission
- \*2 only for vehicles without automatic transmission

- ws = white
- sw = black
- ro = red
- rt = red
- br = brown
- gn = green
- bl = blue
- gr = grey
- li = lilac
- vi = lilac
- ge = yellow
- or = orange
- rs = pink

15K1-0991005151



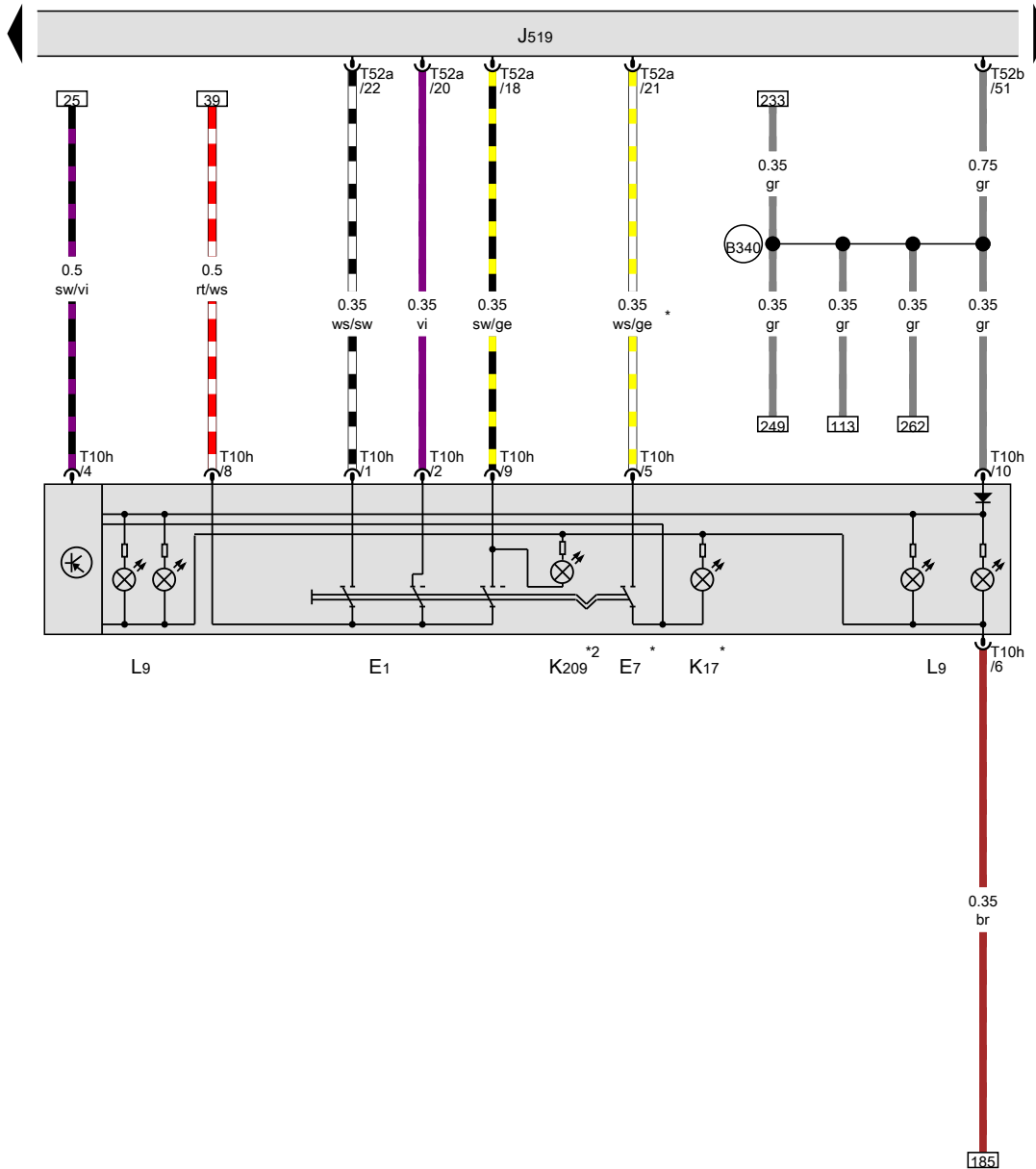
Right front fog lamp bulb, Right cornering lamp bulb, Right position lamp bulb, Right front turn signal bulb, Right low beam headlamp bulb, Right high beam headlamp bulb, Right front side marker lamp bulb

- J519 Vehicle electrical control module system
- L23 Right front fog lamp bulb
- L149 Right cornering lamp bulb
- L175 Right daytime running lamp bulb
- M3 Right position lamp bulb
- M7 Right front turn signal bulb
- M31 Right low beam headlamp bulb
- M32 Right high beam headlamp bulb
- M34 Right front side marker lamp bulb
- T2bd Double connector
- T10j 10-pin connector, on the right headlamp
- T52a 52-pin connector
- T52c 52-pin connector

- (240) Ground connection 4 (in headlamp wiring harness)
- (373) Ground connection 8 (in main wiring harness)
- (378) Ground connection 13 (in main wiring harness)
- (393) Ground connection 28 (in main wiring harness)
- (656) Ground connection on right headlamp
- (A5) Right turn signal positive connection (in instrument panel wiring harness)
- (B143) Positive connection (58R) (in interior wiring harness)
- (B166) Connection 56a (in interior wiring harness)
- (B167) Connection 56b (in interior wiring harness)
- (D59) Fog lamp connection (in engine compartment wiring harness)
- \* Only for vehicles with fog lamps

- ws = white
- sw = black
- ro = red
- rt = red
- br = brown
- gn = green
- bl = blue
- gr = grey
- li = lilac
- vi = lilac
- ge = yellow
- or = orange
- rs = pink

Light switch, Fog lamp switch, Fog lamp indicator lamp, Automatic light control indicator lamp

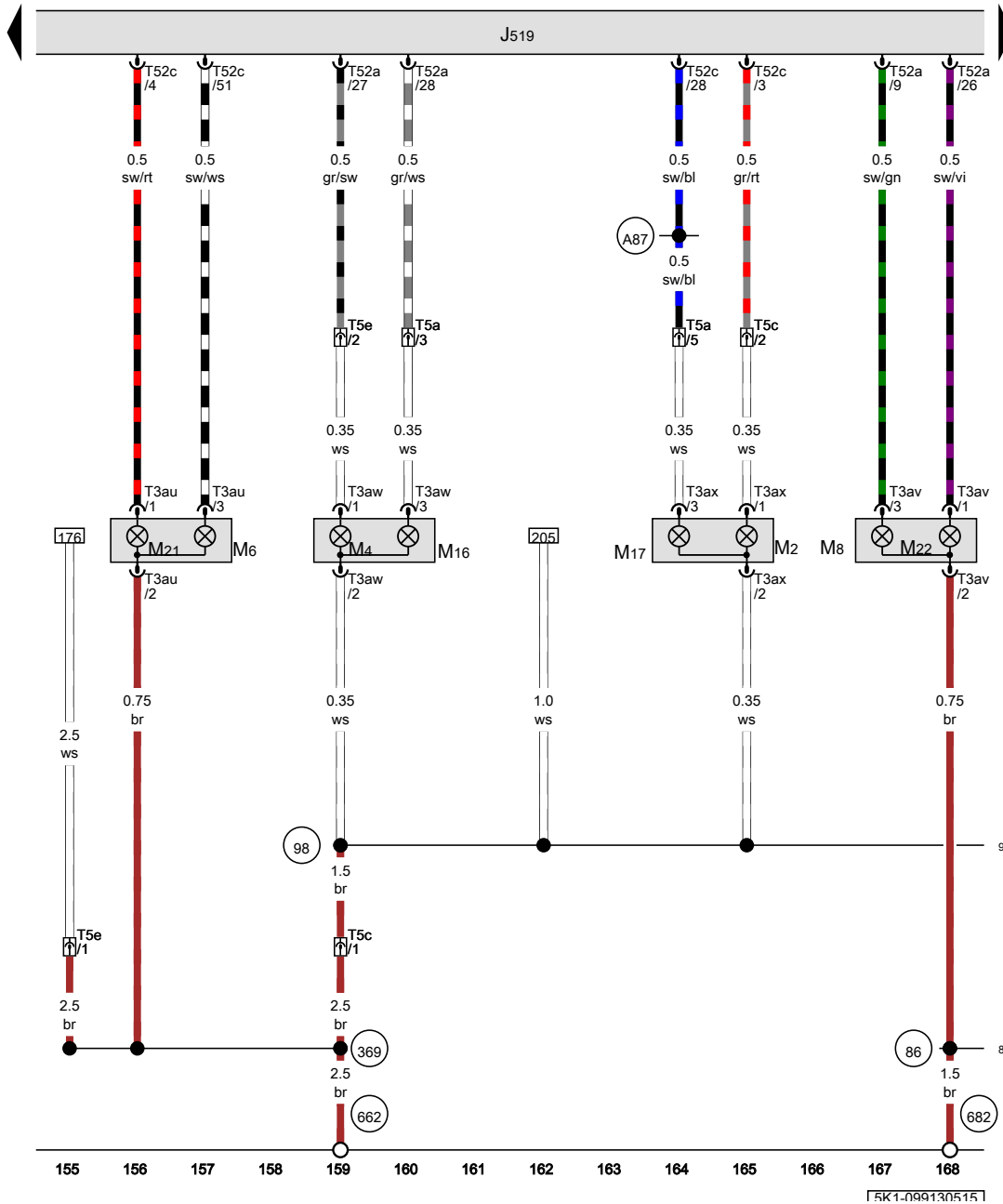


- E1 Light switch
- E7 Fog lamp switch
- J519 Vehicle electrical control module system
- K17 Fog lamp indicator lamp
- K209 Automatic light control indicator lamp
- L9 Headlamp switch illumination bulb
- T10h 10-pin connector
- T52a 52-pin connector
- T52b 52-pin connector
- B340 Connection 58d (in main wiring harness) 1
- \* Only for vehicles with fog lamps
- \*2 Only for vehicles with automatic headlamp assist

- ws = white
- sw = black
- ro = red
- rt = red
- br = brown
- gn = green
- bl = blue
- gr = grey
- li = lilac
- vi = lilac
- ge = yellow
- or = orange
- rs = pink

141 142 143 144 145 146 147 148 149 150 151 152 153 154

15K1-099120515



Right tail lamp bulb, Left tail lamp bulb, Left rear turn signal bulb, Right rear turn signal bulb, Left back-up lamp bulb, Right back-up lamp bulb, Left brake/tail lamp bulb, Right brake/tail lamp bulb

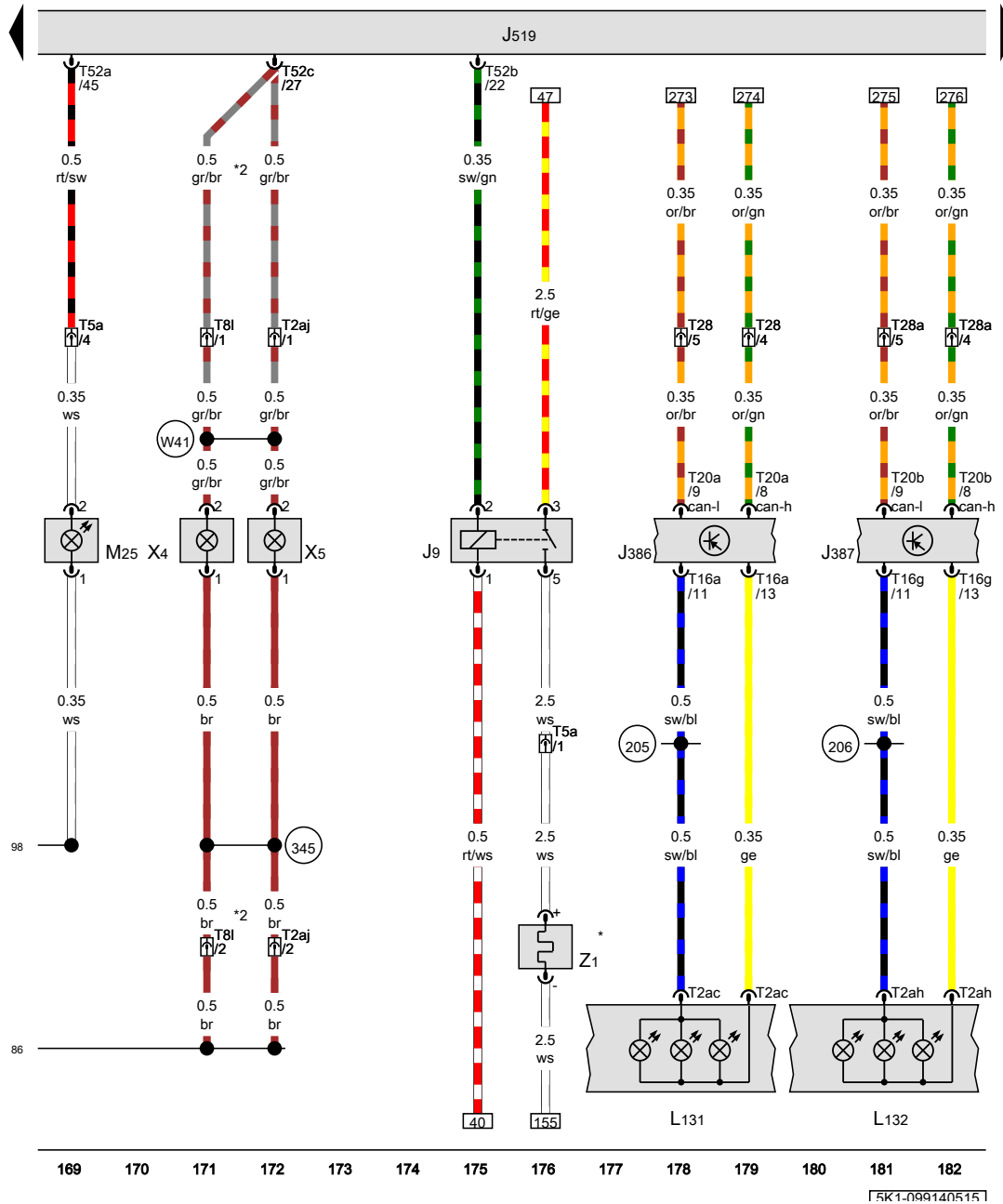
- J519 Vehicle electrical control module system
- M2 Right tail lamp bulb
- M4 Left tail lamp bulb
- M6 Left rear turn signal bulb
- M8 Right rear turn signal bulb
- M16 Left back-up lamp bulb
- M17 Right back-up lamp bulb
- M21 Left brake/tail lamp bulb
- M22 Right brake/tail lamp bulb
- T3au 3-pin connector
- T3av 3-pin connector
- T3aw 3-pin connector
- T3ax 3-pin connector
- T5a 5-pin connector, in the left rear side panel
- T5c 5-pin connector, in the left rear side panel
- T5e 5-pin connector, in the left rear side panel
- T52a 52-pin connector
- T52c 52-pin connector

- 86 Ground connection 1 (in rear wiring harness)
- 98 Ground connection (in rear lid wiring harness)
- 369 Ground connection 4 (in main wiring harness)
- 662 Ground connection in left rear side panel
- 682 Ground connection 2 in right rear side panel
- A87 Back-up lamp connection (in instrument panel wiring harness)

- ws = white
- sw = black
- ro = red
- rt = red
- br = brown
- gn = green
- bl = blue
- gr = grey
- li = lilac
- vi = lilac
- ge = yellow
- or = orange
- rs = pink

15K1-0991305151





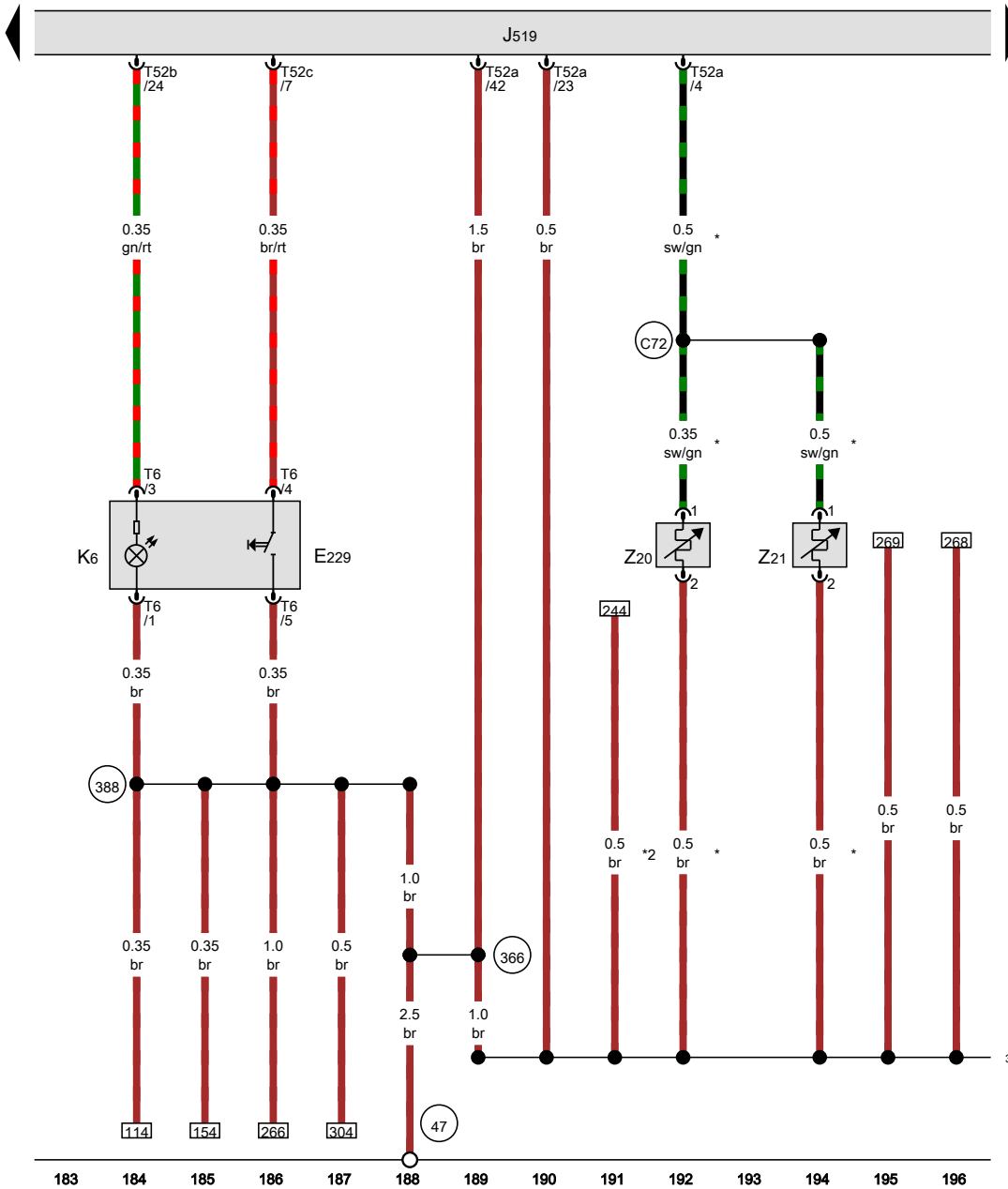
Rear window defogger relay, Driver exterior rearview mirror turn signal bulb, Front passenger exterior rearview mirror turn signal bulb, High-mounted brake lamp bulb, Left license plate lamp, Right license plate lamp, Rear window defogger

- J9 Rear window defogger relay
- J386 Driver door control module
- J387 Front passenger door control module
- J519 Vehicle electrical control module system
- L131 Driver exterior rearview mirror turn signal bulb
- L132 Front passenger exterior rearview mirror turn signal bulb
- M25 High-mounted brake lamp bulb
- T2ac Double connector
- T2ah Double connector
- T2aj Double connector, under the right rear bumper
- T5a 5-pin connector, in the left rear side panel
- T8I 8-pin connector
- T16a 16-pin connector
- T16g 16-pin connector
- T20a 20-pin connector
- T20b 20-pin connector
- T28 28-pin connector, in the left A-pillar connector station
- T28a 28-pin connector, in the left A-pillar connector station
- T52a 52-pin connector
- T52b 52-pin connector
- T52c 52-pin connector
- X4 Left license plate lamp
- X5 Right license plate lamp
- Z1 Rear window defogger

- 86 Ground connection 1 (in rear wiring harness)
- 98 Ground connection (in rear lid wiring harness)
- 205 Ground connection (in driver door wiring harness)
- 206 Ground connection (in front passenger door wiring harness)
- 345 Ground connection (in bumper wiring harness)
- W41 Positive connection (58) (in license plate lamp wiring harness)

- \* Refer to applicable wiring diagram for radio/radio navigation system
- \*2 Only for vehicles with park distance control (PDC)

- ws = white
- sw = black
- ro = red
- rt = red
- br = brown
- gn = green
- bl = blue
- gr = grey
- li = lilac
- vi = lilac
- ge = yellow
- or = orange
- rs = pink



Emergency flasher button, Left washer nozzle heater, Right washer nozzle heater

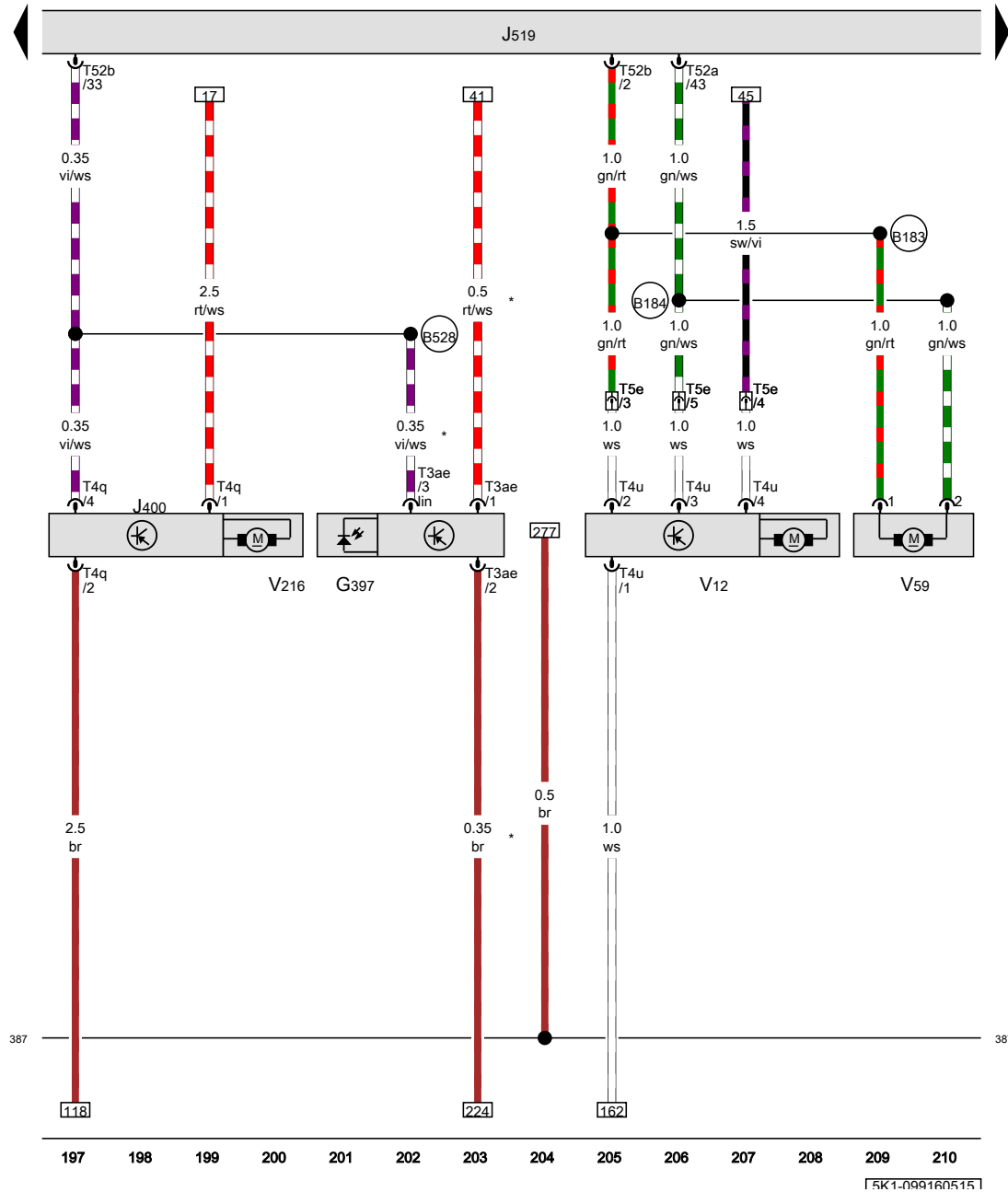
- E229 Emergency flasher button
- J519 Vehicle electrical control module system
- K6 Emergency flasher indicator lamp
- T6 6-pin connector
- T52a 52-pin connector
- T52b 52-pin connector
- T52c 52-pin connector
- Z20 Left washer nozzle heater
- Z21 Right washer nozzle heater

- 47 Ground connection in right front footwell
- 366 Ground connection 1 (in main wiring harness)
- 387 Ground connection 22 (in main wiring harness)
- 388 Ground connection 23 (in main wiring harness)
- C72 Positive connection (in heated spray nozzle wiring harness)

\* Only for vehicles with heated spray nozzles  
 \*2 Only for vehicles with footwell lamp

- ws = white
- sw = black
- ro = red
- rt = red
- br = brown
- gn = green
- bl = blue
- gr = grey
- li = lilac
- vi = lilac
- ge = yellow
- or = orange
- rs = pink

15K1-099150515



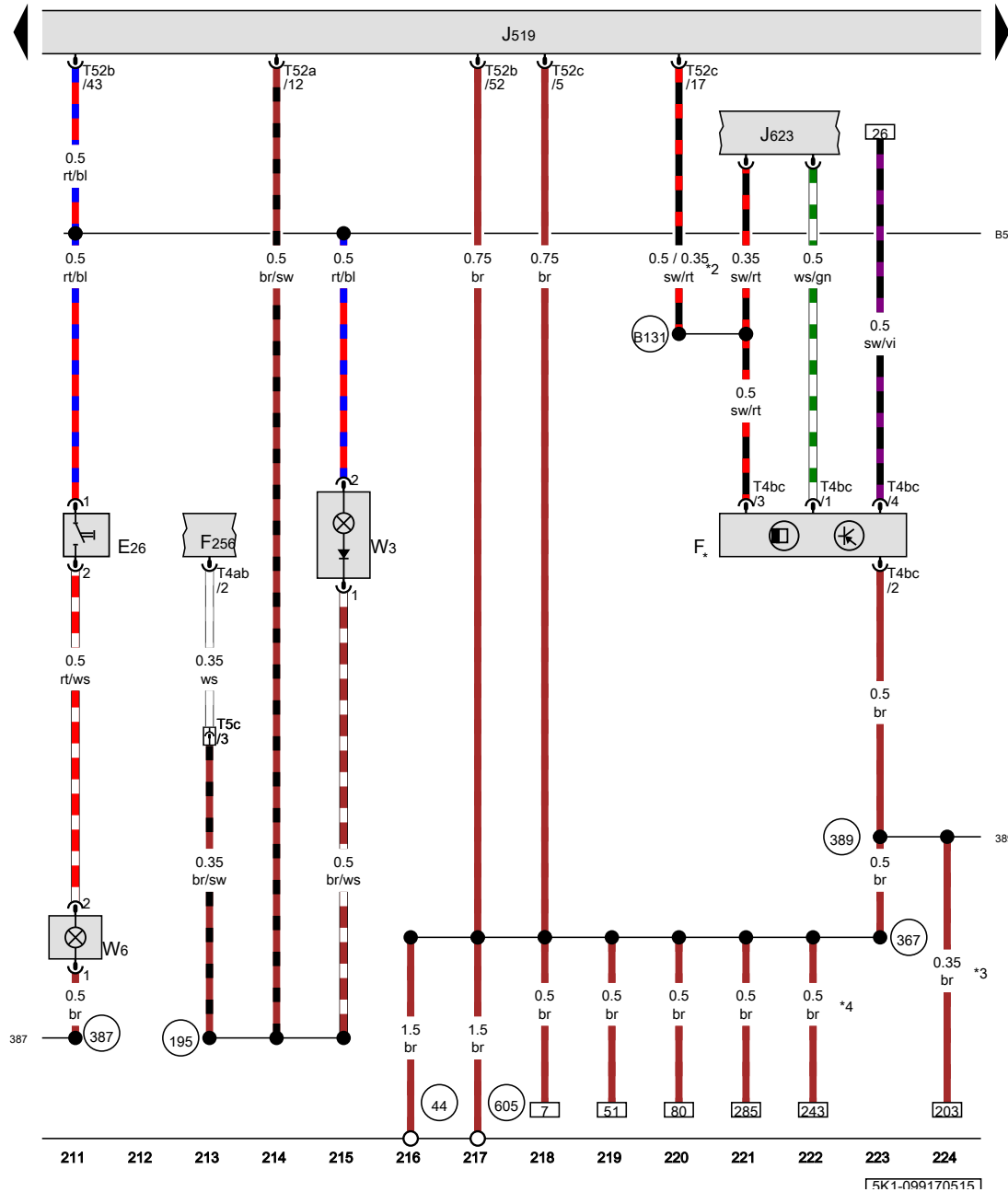
Rain/light recognition sensor, Wiper motor control module, Rear window wiper motor, Windshield and rear window washer pump, Driver windshield wiper motor

- G397 Rain/light recognition sensor
- J400 Wiper motor control module
- J519 Vehicle electrical control module system
- T3ae 3-pin connector
- T4q 4-pin connector
- T4u 4-pin connector
- T5e 5-pin connector, in the left rear side panel
- T52a 52-pin connector
- T52b 52-pin connector
- V12 Rear window wiper motor
- V59 Windshield and rear window washer pump
- V216 Driver windshield wiper motor

- 387 Ground connection 22 (in main wiring harness)
- B183 Windshield washer pump connection 1 (in interior wiring harness)
- B184 Windshield washer pump connection 2 (in interior wiring harness)
- B528 LIN bus connection 1 (in main wiring harness)
- \* Only for vehicles with rain/light recognition sensor

- ws = white
- sw = black
- ro = red
- rt = red
- br = brown
- gn = green
- bl = blue
- gr = grey
- li = lilac
- vi = lilac
- ge = yellow
- or = orange
- rs = pink

Glove compartment lamp switch, Brake lamp switch, Luggage compartment lamp, Glove compartment lamp



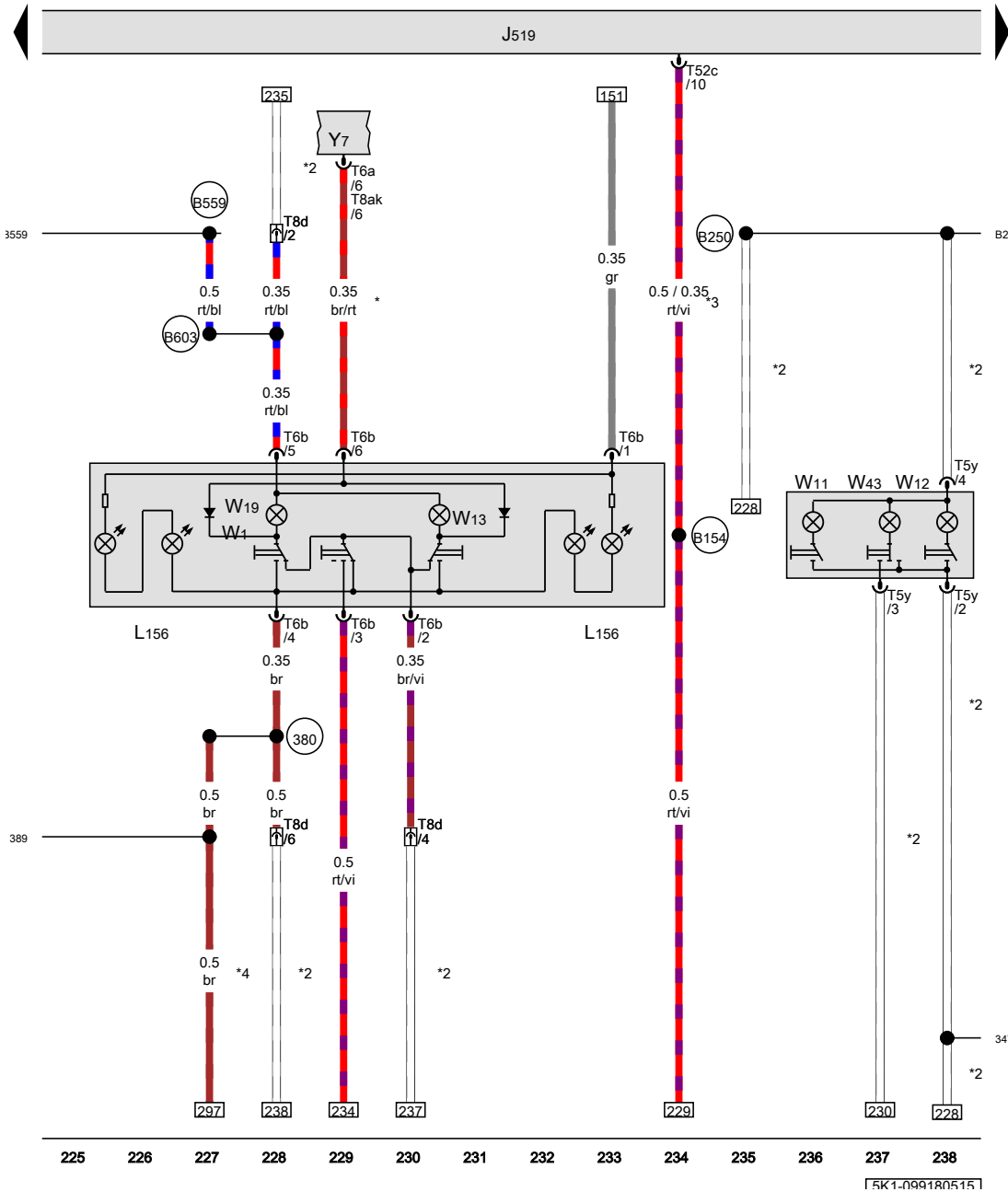
- E26 Glove compartment lamp switch
- F Brake lamp switch
- F256 Rear lid lock unit
- J519 Vehicle electrical control module system
- J623 Engine control module
- T4ab 4-pin connector
- T4bc 4-pin connector
- T5c 5-pin connector, in the left rear side panel
- T52a 52-pin connector
- T52b 52-pin connector
- T52c 52-pin connector
- W3 Luggage compartment lamp
- W6 Glove compartment lamp

- 44 Ground connection on A-pillar, lower left
- 195 Ground connection (in rear door contact switch wiring harness)
- 367 Ground connection 2 (in main wiring harness)
- 387 Ground connection 22 (in main wiring harness)
- 389 Ground connection 24 (in main wiring harness)
- 605 Ground connection on upper steering column
- B131 Connection 54 (in interior wiring harness)
- B559 Positive connection 1 (30g) (in main wiring harness)

- ws = white
- sw = black
- ro = red
- rt = red
- br = brown
- gn = green
- bl = blue
- gr = grey
- li = lilac
- vi = lilac
- ge = yellow
- or = orange
- rs = pink

- \* Refer to applicable engine wiring diagram from November 2010
- \*2 Only for vehicles with rain/light recognition sensor
- \*3 Only for vehicles with footwell lamp
- \*4 Only for vehicles with footwell lamp

15K1-099170515



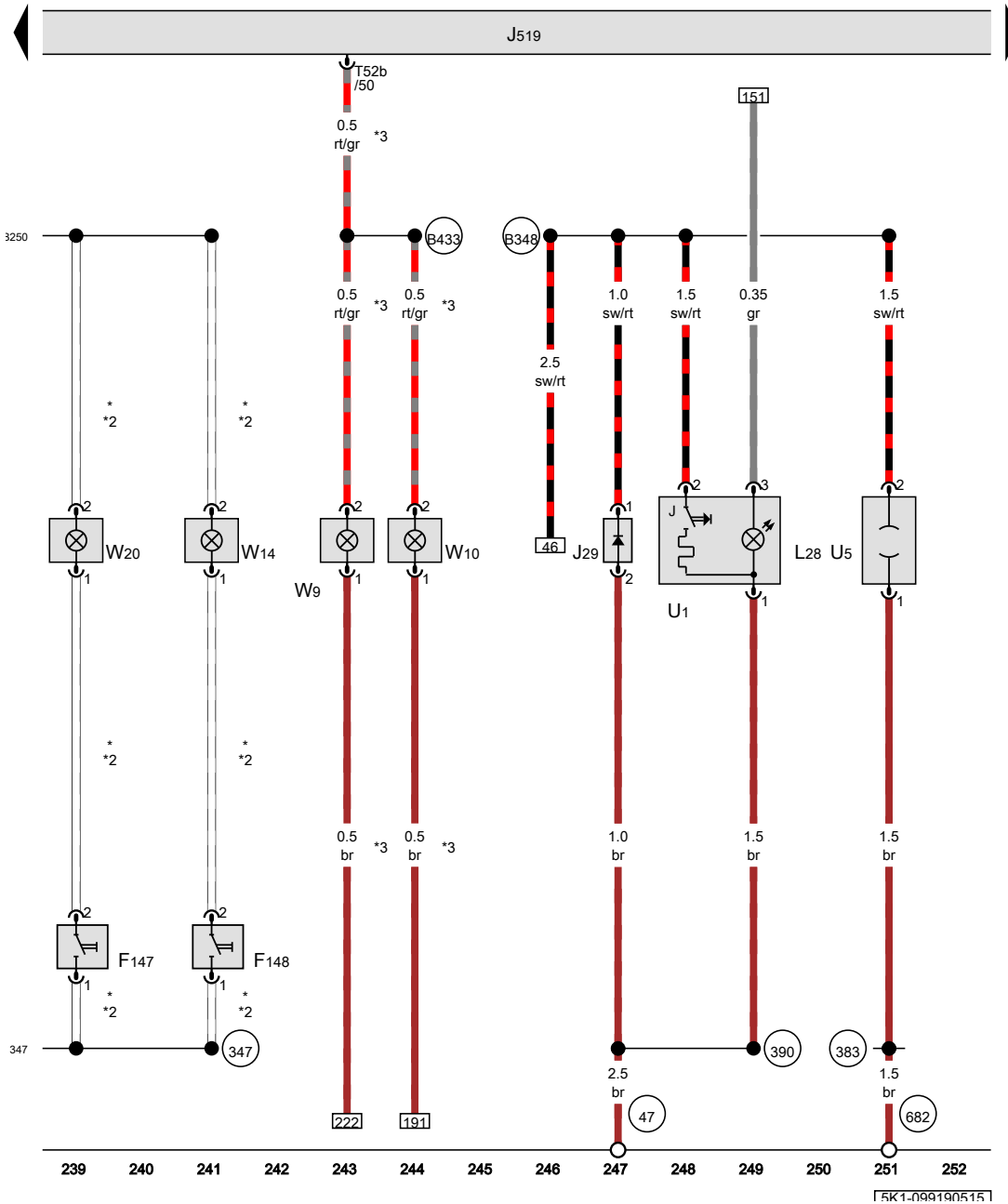
Front interior lamp, Left rear reading lamp, Right rear reading lamp, Front passenger reading lamp, Driver reading lamp, Rear interior lamp

- J519 Vehicle electrical control module system
- L156 Switch illumination bulb
- T5y 5-pin connector
- T6a 6-pin connector
- T6b 6-pin connector
- T8d 8-pin connector, near the front interior lamp
- T52c 52-pin connector
- W1 Front interior lamp
- W11 Left rear reading lamp
- W12 Right rear reading lamp
- W13 Front passenger reading lamp
- W19 Driver reading lamp
- W43 Rear interior lamp
- Y7 Automatic dimming interior rearview mirror

- (347) Ground connection (in roof wiring harness)
- (380) Ground connection 15 (in main wiring harness)
- (389) Ground connection 24 (in main wiring harness)
- B154 Connection TK (in interior wiring harness) 1
- B250 Positive connection (in roof wiring harness)
- B559 Positive connection 1 (30g) (in main wiring harness)
- B603 Positive connection 2 (30g) (in main wiring harness)

- \* Only for vehicles with automatic dimming interior rearview mirror
- \*2 Flat conductor
- \*3 from November 2010
- \*4 Only for vehicles with brake pad wear indicator

- ws = white
- sw = black
- ro = red
- rt = red
- br = brown
- gn = green
- bl = blue
- gr = grey
- li = lilac
- vi = lilac
- ge = yellow
- or = orange
- rs = pink



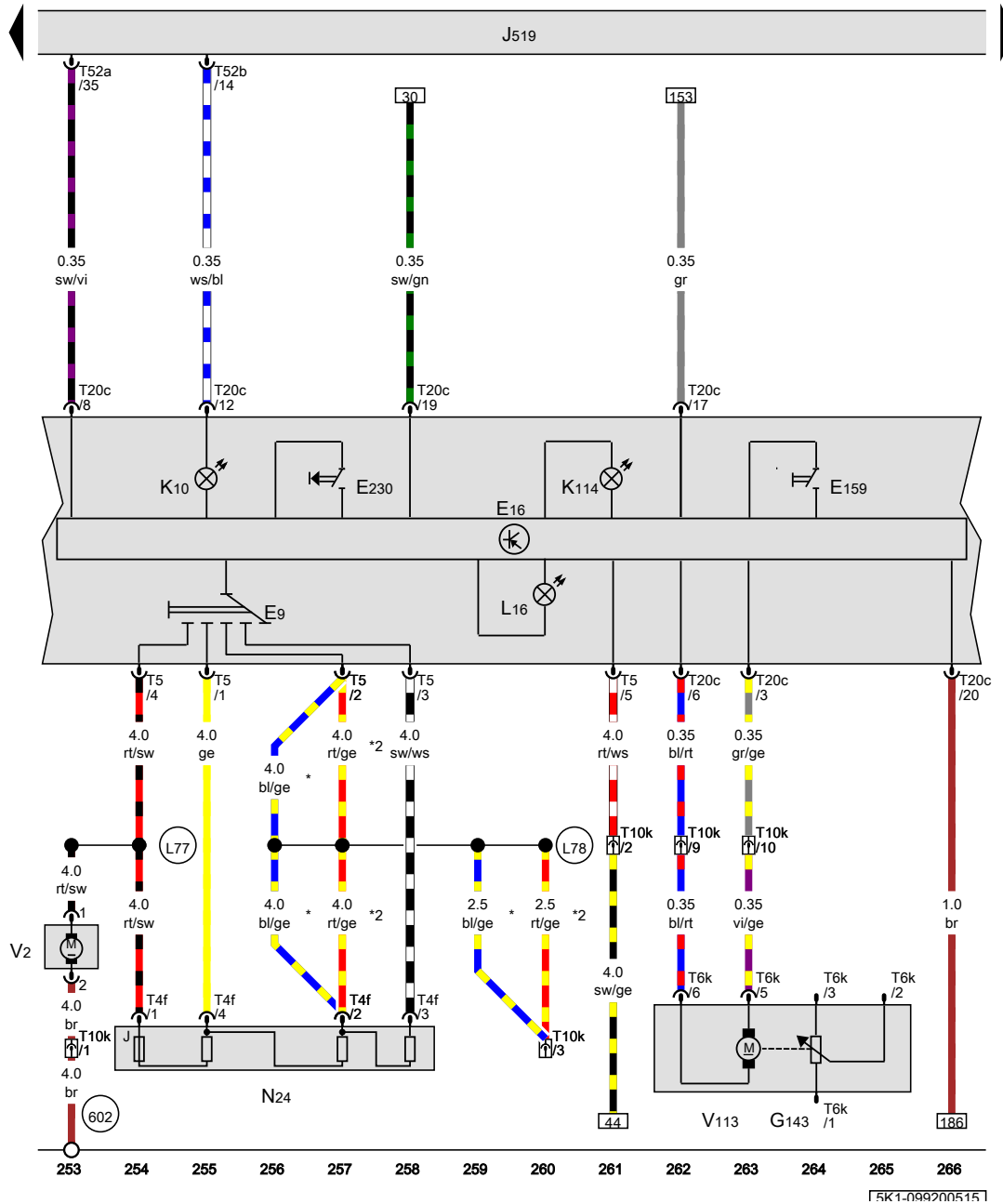
Driver vanity mirror lamp contact switch, Front passenger vanity mirror lamp contact switch, Blocking diode, Cigarette lighter illumination bulb, Cigarette lighter, 12 V socket, Left footwell lamp, Right footwell lamp, Front passenger vanity mirror lamp, Driver vanity mirror lamp

- F147 Driver vanity mirror lamp contact switch
- F148 Front passenger vanity mirror lamp contact switch
- J29 Blocking diode
- J519 Vehicle electrical control module system
- L28 Cigarette lighter illumination bulb
- T52b 52-pin connector
- U1 Cigarette lighter
- U5 12 V socket
- W9 Left footwell lamp
- W10 Right footwell lamp
- W14 Front passenger vanity mirror lamp
- W20 Driver vanity mirror lamp
- 47 Ground connection in right front footwell
- 347 Ground connection (in roof wiring harness)
- 383 Ground connection 18 (in main wiring harness)
- 390 Ground connection 25 (in main wiring harness)
- 682 Ground connection 2 in right rear side panel
- B250 Positive connection (in roof wiring harness)
- B348 Connection 75a (in main wiring harness) 1
- B433 Footwell illumination connection (in main wiring harness)

- ws = white
- sw = black
- ro = red
- rt = red
- br = brown
- gn = green
- bl = blue
- gr = grey
- li = lilac
- vi = lilac
- ge = yellow
- or = orange
- rs = pink

- \* Only for vehicles with illuminated vanity mirror
- \*2 Flat conductor
- \*3 Only for vehicles with footwell lamp

15K1-099190515



Fresh air blower switch, Heater/heat output switch, Fresh air blower series resistor with fuse, Fresh air blower, Recirculation door motor

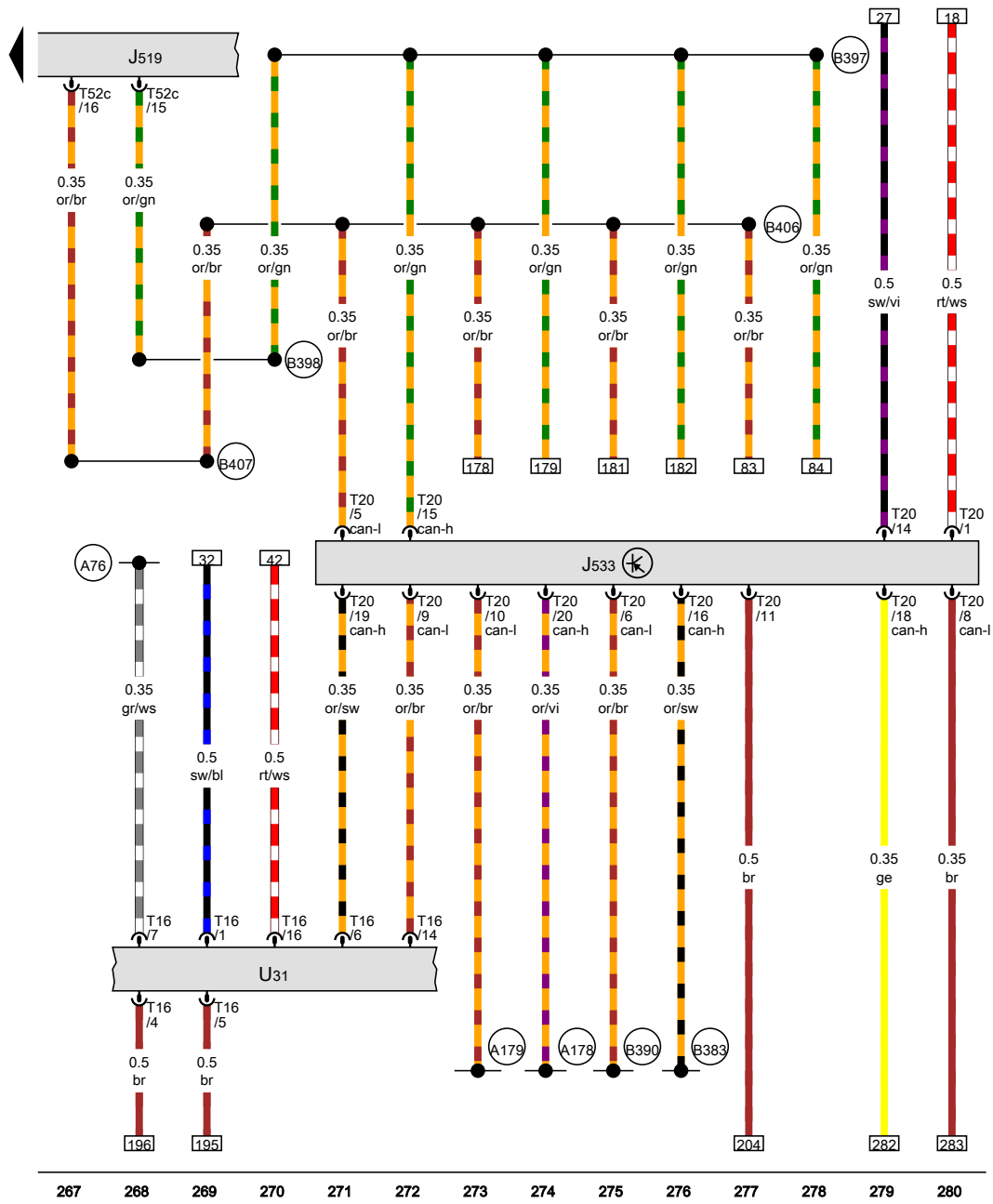
- E9 Fresh air blower switch
- E16 Heater/heat output switch, in the engine compartment, right
- E159 Fresh air/recirculation door switch
- E230 Rear window defogger button
- G143 Recirculation door motor position sensor
- J519 Vehicle electrical control module system
- K10 Rear window defogger indicator lamp
- K114 Fresh air and recirculation mode indicator lamp
- L16 Fresh air control illumination bulb
- N24 Fresh air blower series resistor with fuse
- T4f 4-pin connector
- T5 5-pin connector
- T6k 6-pin connector
- T10k 10-pin connector, behind the instrument panel, right
- T20c 20-pin connector
- T52a 52-pin connector
- T52b 52-pin connector
- V2 Fresh air blower
- V113 Recirculation door motor

- 602 Ground connection in left front footwell
- L77 Connection (in fresh air blower wiring harness)
- L78 Connection 1 (in fresh air blower wiring harness)

\* from November 2010  
 \*2 Through October 2010

- ws = white
- sw = black
- ro = red
- rt = red
- br = brown
- gn = green
- bl = blue
- gr = grey
- li = lilac
- vi = lilac
- ge = yellow
- or = orange
- rs = pink

15K1-099200515



Data bus on board diagnostic interface, Diagnostic connection

- J519 Vehicle electrical control module system
- J533 Data bus on board diagnostic interface, in the left footwell, near the center console
- T16 16-pin connector
- T20 20-pin connector
- T52c 52-pin connector
- U31 Diagnostic connection
- A76 KS-diagnostic lead connection (in instrument panel wiring harness)
- A178 Infotainment CAN bus high connection (in instrument panel wiring harness)
- A179 Infotainment CAN bus low connection (in instrument panel wiring harness)
- B383 Powertrain CAN bus high connection 1 (in main wiring harness)
- B390 Powertrain CAN bus low connection 1 (in main wiring harness)
- B397 Comfort system CAN bus high connection 1 (in main wiring harness)
- B398 Comfort system CAN bus high connection 2 (in main wiring harness)
- B406 Comfort system CAN bus low connection 1 (in main wiring harness)
- B407 Comfort system CAN bus low connection 2 (in main wiring harness)

- ws = white
- sw = black
- ro = red
- rt = red
- br = brown
- gn = green
- bl = blue
- gr = grey
- li = lilac
- vi = lilac
- ge = yellow
- or = orange
- rs = pink

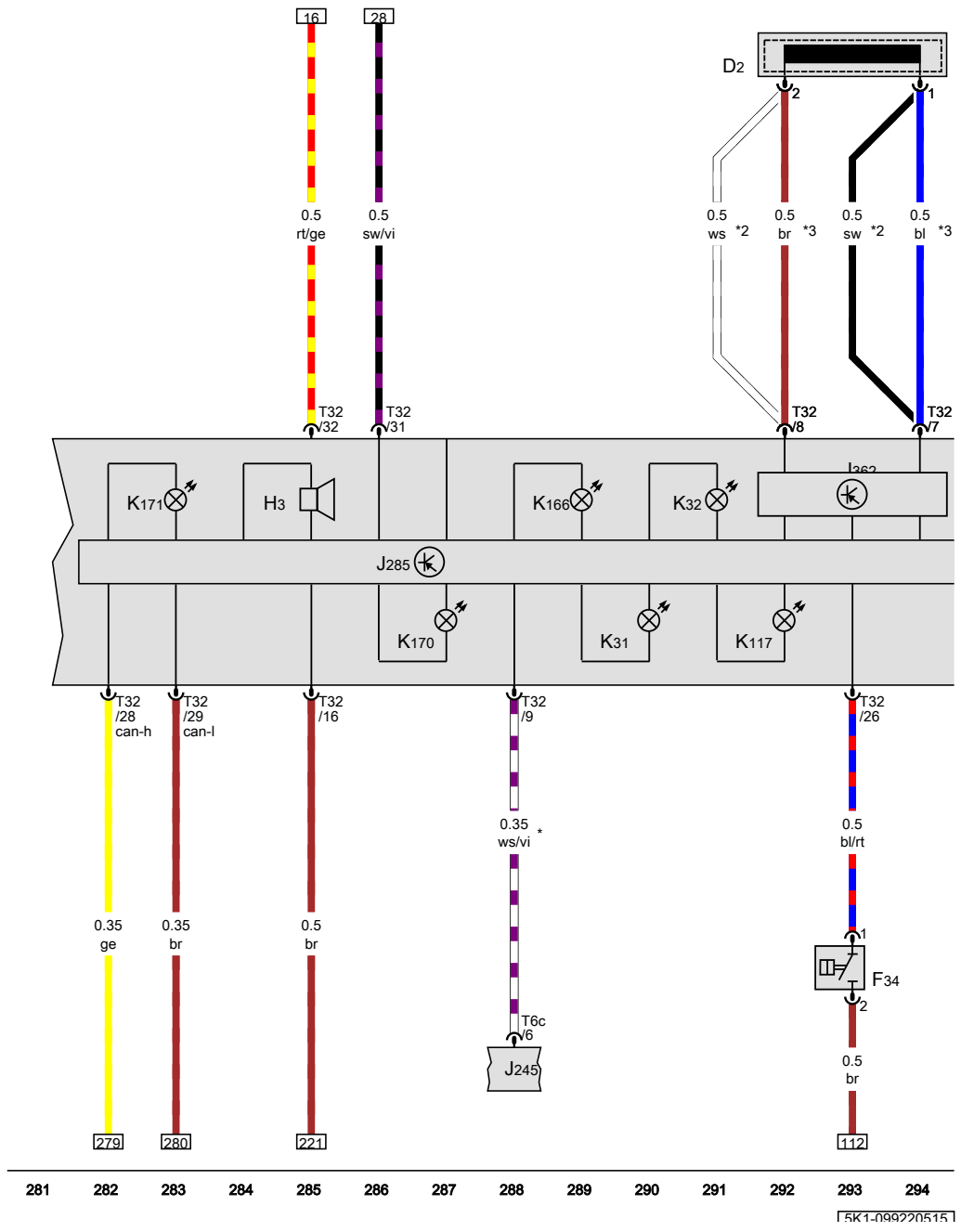
267 268 269 270 271 272 273 274 275 276 277 278 279 280

15K1-0992105151



Anti-theft immobilizer reader coil, Brake fluid level warning switch, Warning buzzer and tone, Instrument cluster control module, Cruise control indicator lamp, Anti-theft immobilizer indicator lamp, Door ajar indicator lamp, Lamp failure indicator lamp, Hood -open- indicator lamp

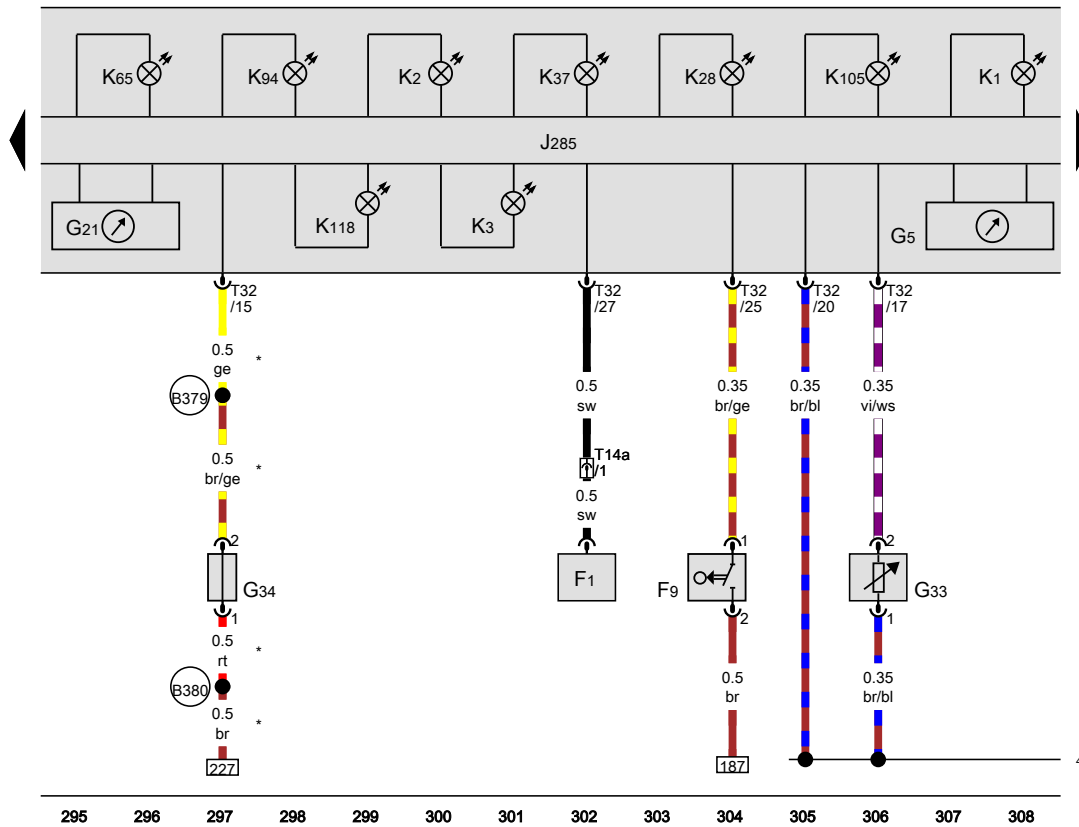
- D2 Anti-theft immobilizer reader coil
- F34 Brake fluid level warning switch
- H3 Warning buzzer and tone
- J245 Power sunroof control module
- J285 Instrument cluster control module
- J362 Anti-theft immobilizer control module
- K31 Cruise control indicator lamp
- K32 Brake pad wear indicator lamp
- K117 Anti-theft immobilizer indicator lamp
- K166 Door ajar indicator lamp
- K170 Lamp failure indicator lamp
- K171 Hood -open- indicator lamp
- T6c 6-pin connector
- T32 32-pin connector
- \* Speed signal
- \*2 only for vehicles with access/start authorization system
- \*3 Only for vehicles without access/start authorization system



- ws = white
- sw = black
- ro = red
- rt = red
- br = brown
- gn = green
- bl = blue
- gr = grey
- li = lilac
- vi = lilac
- ge = yellow
- or = orange
- rs = pink

Parking brake indicator lamp switch, Tachometer, Speedometer, Windshield washer fluid level sensor, Left front brake pad wear sensor, Instrument cluster control module, High beam indicator lamp, Windshield washer fluid level indicator lamp

- F1 Oil pressure switch
- F9 Parking brake indicator lamp switch
- G5 Tachometer
- G21 Speedometer
- G33 Windshield washer fluid level sensor
- G34 Left front brake pad wear sensor
- J285 Instrument cluster control module
- K1 High beam indicator lamp
- K2 Generator indicator lamp
- K3 Oil pressure indicator lamp
- K28 Engine coolant level/temperature indicator lamp
- K37 Windshield washer fluid level indicator lamp
- K65 Indicator lamp for left turn signal
- K94 Right turn signal indicator lamp
- K105 Low fuel level indicator lamp
- K118 Brake system indicator lamp
- T14a 14-pin connector, near the battery
- T32 32-pin connector



- 410 Sensor ground connection 1 (in main wiring harness)
- B379 Brake wear indicator connection 1 (in main wiring harness)
- B380 Brake wear indicator connection 2 (in main wiring harness)
- \* Only for vehicles with brake pad wear indicator

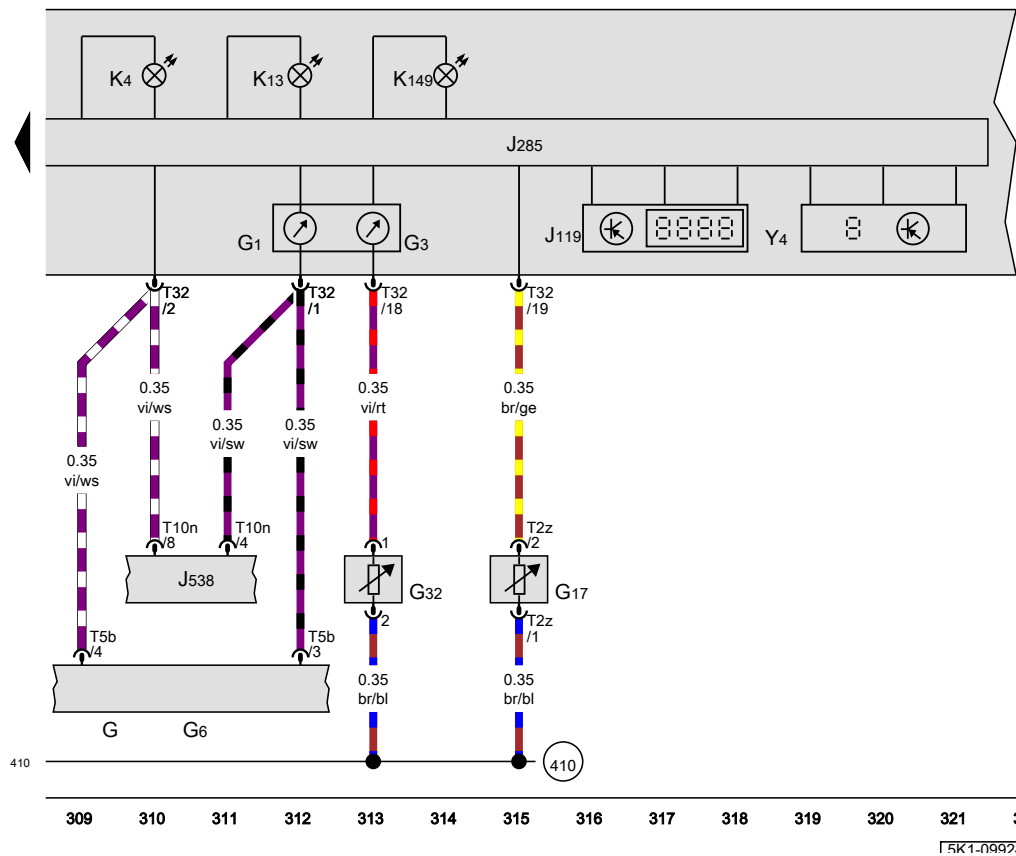
- ws = white
- sw = black
- ro = red
- rt = red
- br = brown
- gn = green
- bl = blue
- gr = grey
- li = lilac
- vi = lilac
- ge = yellow
- or = orange
- rs = pink

15K1-099230515

Fuel gauge, Engine coolant temperature gauge, Outside air temperature sensor, Engine coolant level sensor, Multifunction indicator, Instrument cluster control module, Position lamp indicator lamp, Rear fog lamp indicator lamp, Engine electronics indicator lamp, Odometer display

- G Fuel level sensor
- G1 Fuel gauge
- G3 Engine coolant temperature gauge
- G6 Transfer fuel pump
- G17 Outside air temperature sensor
- G32 Engine coolant level sensor
- J119 Multifunction indicator
- J285 Instrument cluster control module
- J538 Fuel pump control module
- K4 Position lamp indicator lamp
- K13 Rear fog lamp indicator lamp
- K149 Engine electronics indicator lamp
- T2z Double connector
- T5b 5-pin connector
- T10n 10-pin connector
- T32 32-pin connector
- Y4 Odometer display

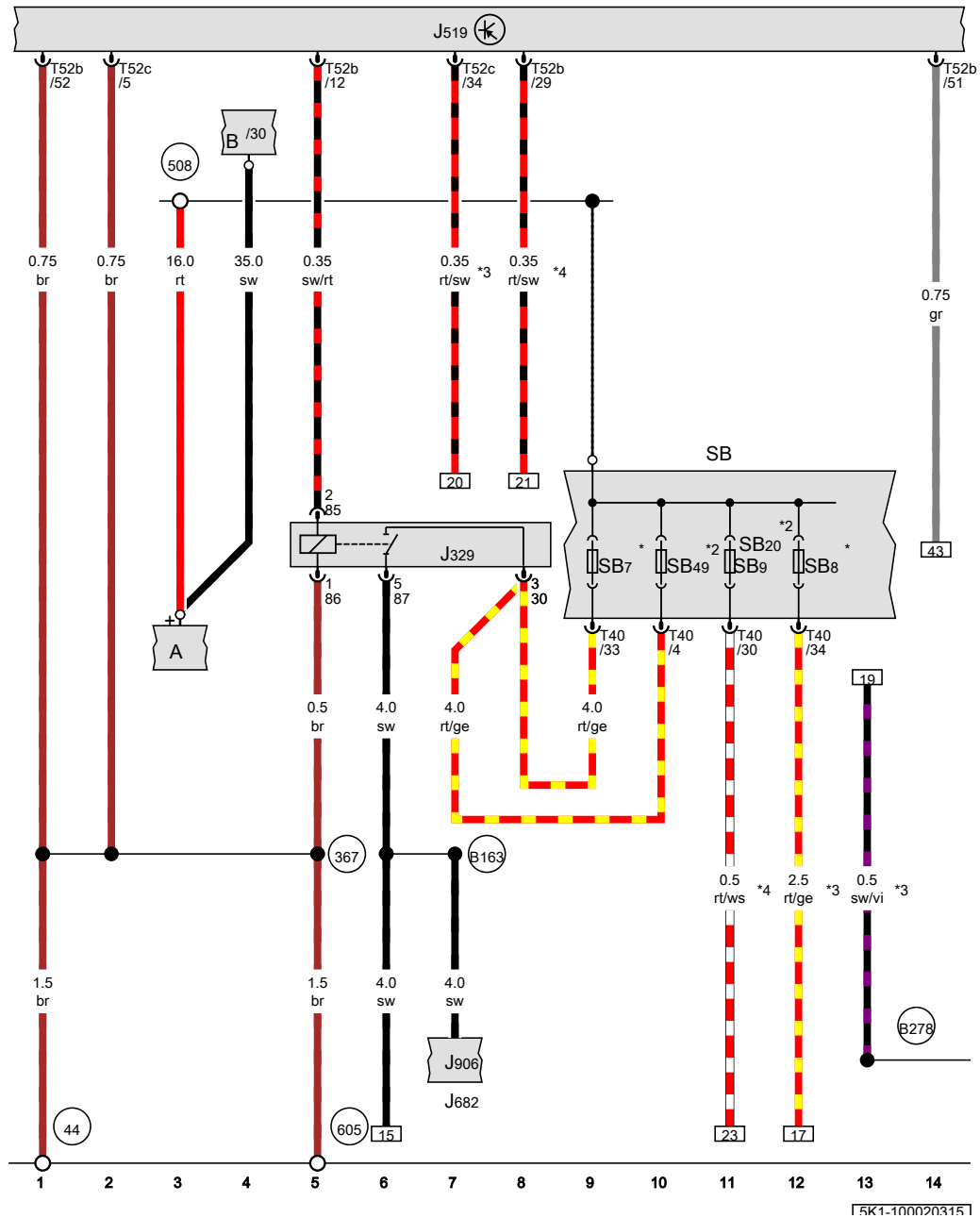
410 Sensor ground connection 1 (in main wiring harness)



- ws = white
- sw = black
- ro = red
- rt = red
- br = brown
- gn = green
- bl = blue
- gr = grey
- li = lilac
- vi = lilac
- ge = yellow
- or = orange
- rs = pink

**Cell phone system**  
from November 2010

Terminal 15 power supply relay, Fuse panel B

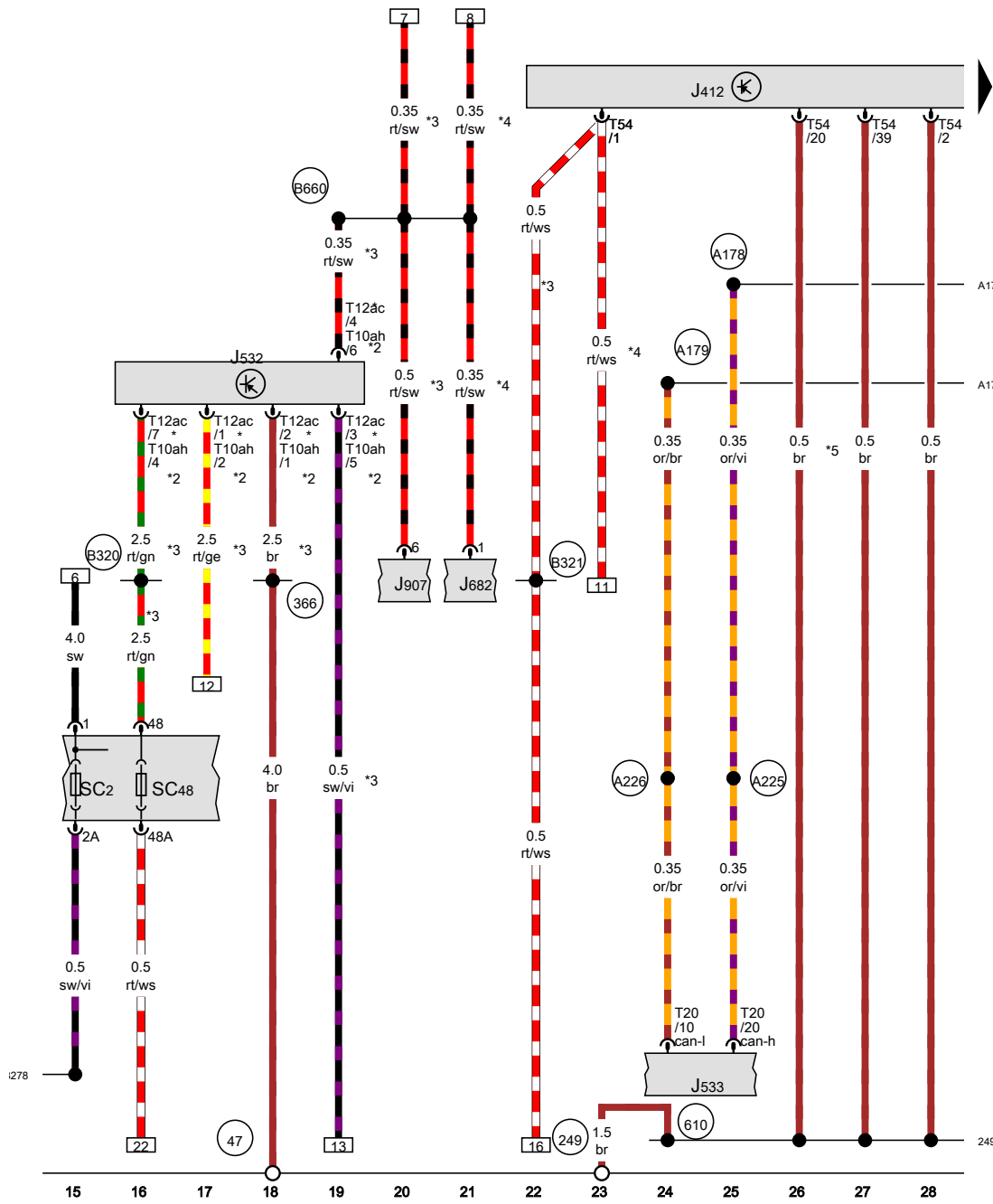


- A Battery
- B Starter
- J329 Terminal 15 power supply relay
- J519 Vehicle electrical control module system
- J682 Terminal 50 power supply relay
- J906 Starter relay 1
- SB Fuse panel B
- SB7 Fuse 7 (on fuse panel B)
- SB8 Fuse 8 (on fuse panel B)
- SB9 Fuse 9 (on fuse panel B)
- SB20 Fuse 20 (on fuse panel B)
- SB49 Fuse 49 (on fuse panel B)
- T40 40-pin connector
- T52b 52-pin connector
- T52c 52-pin connector

- 44 Ground connection on A-pillar, lower left
- 367 Ground connection 2 (in main wiring harness)
- 508 Terminal 30 threaded connection (on E-box)
- 605 Ground connection on upper steering column
- B163 Positive connection 1 (15) (in interior wiring harness)
- B278 Positive connection 2 (15a) (in main wiring harness)
- \* E-Box low
- \*2 E-Box high
- \*3 Only for vehicles with Start/Stop system
- \*4 Only for vehicles without Start/Stop system

- ws = white
- sw = black
- ro = red
- rt = red
- br = brown
- gn = green
- bl = blue
- gr = grey
- li = lilac
- vi = lilac
- ge = yellow
- or = orange
- rs = pink

Г5К1-100020315



**Cell phone operating electronics control module, Voltage stabilizer, Data bus on board diagnostic interface, Fuse 2 (on fuse panel C), Fuse 48 (on fuse panel C)**

- J412 Cell phone operating electronics control module, in the right front footwell
- J532 Voltage stabilizer
- J533 Data bus on board diagnostic interface
- J682 Terminal 50 power supply relay
- J907 Starter relay 2
- SC2 Fuse 2 (on fuse panel C)
- SC48 Fuse 48 (on fuse panel C)
- T12ac 12-pin connector
- T20 20-pin connector
- T54 54-pin connector

- 47 Ground connection in right front footwell
- 249 Ground connection 2 (in interior wiring harness)
- 366 Ground connection 1 (in main wiring harness)
- 610 Audio ground connection under front center console
- A178 Infotainment CAN bus high connection (in instrument panel wiring harness)
- A179 Infotainment CAN bus low connection (in instrument panel wiring harness)
- A225 Infotainment CAN bus high connection 2 (in instrument panel wiring harness)
- A226 Infotainment CAN bus low connection 2 (in instrument panel wiring harness)
- B278 Positive connection 2 (15a) (in main wiring harness)
- B320 Positive connection 6 (30a) (in main wiring harness)
- B321 Positive connection 7 (30a) (in main wiring harness)
- B660 Diagnostic terminal 50 connection (in main wiring harness)

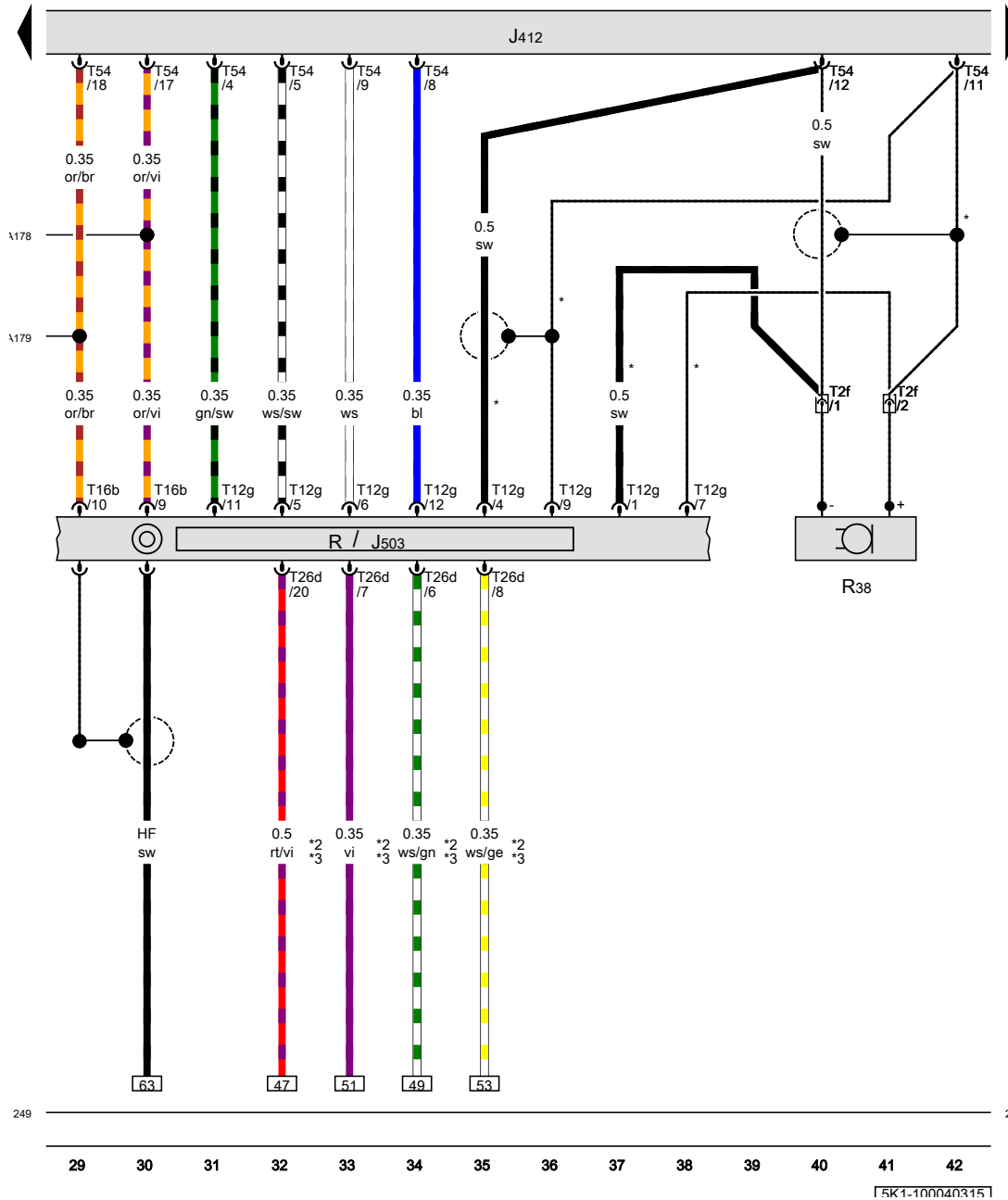
\* through April 2011  
 \*2 from May 2011  
 \*3 Only for vehicles with Start/Stop system  
 \*4 Only for vehicles without Start/Stop system

1FK1-1000303151

ws = white

sw = black  
ro = red  
rt = red  
br = brown  
gn = green  
bl = blue  
gr = grey  
li = lilac  
vi = lilac  
ge = yellow  
or = orange  
rs = pink

\*5 Depending on equipment



**Cell phone operating electronics control module, Radio/navigation display unit control module, Radio, Telephone microphone**

- J412 Cell phone operating electronics control module, in the right front footwell
- J503 Radio/navigation display unit control module
- R Radio
- R38 Telephone microphone
- T2f Double connector, near the front interior lamp
- T12g 12-pin connector
- T16b 16-pin connector
- T26d 26-pin connector
- T54 54-pin connector
- (249) Ground connection 2 (in interior wiring harness)
- (A178) Infotainment CAN bus high connection (in instrument panel wiring harness)
- (A179) Infotainment CAN bus low connection (in instrument panel wiring harness)
- \* Only with radio navigation system and voice recognition system
- \*2 Only for vehicles with radio navigation system
- \*3 Only for vehicles with telephone charging station

- ws = white
- sw = black
- ro = red
- rt = red
- br = brown
- gn = green
- bl = blue
- gr = grey
- li = lilac
- vi = lilac
- ge = yellow
- or = orange
- rs = pink

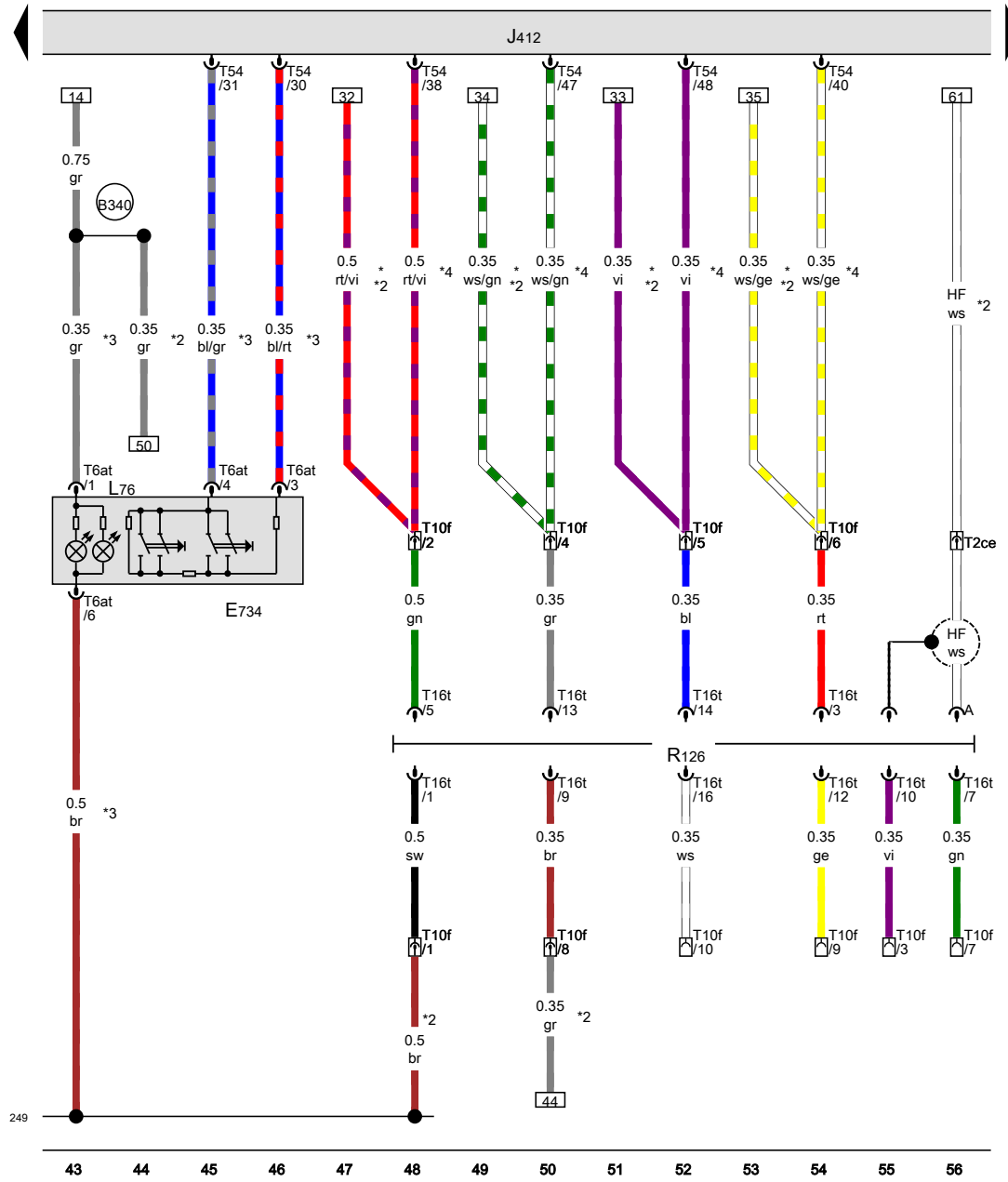
249

249

15K1-100040315



Telematics button module, Cell phone operating electronics control module, Telephone baseplate

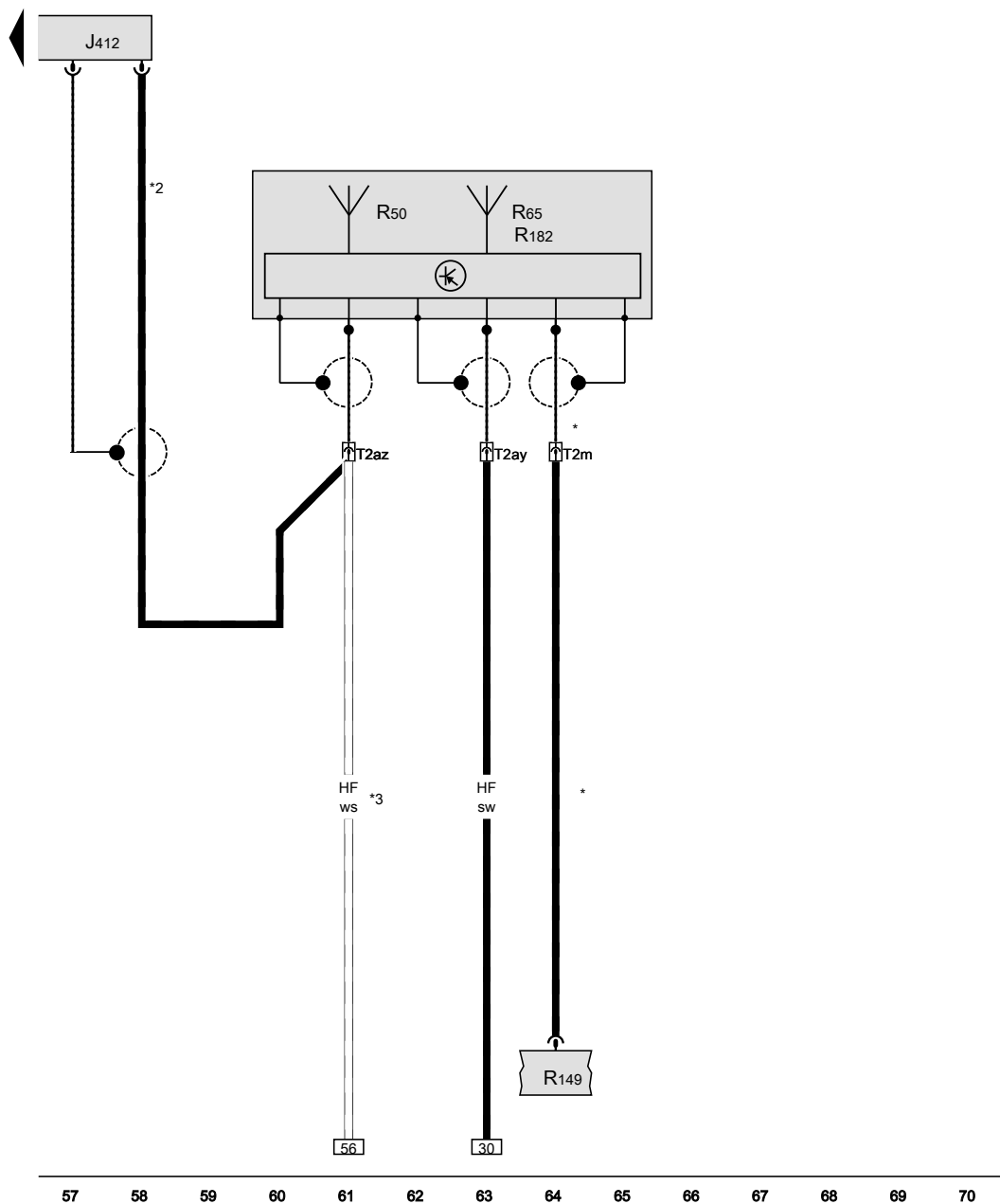


- E734 Telematics button module
- J412 Cell phone operating electronics control module, in the right front footwell
- L76 Push button illumination bulb
- R126 Telephone baseplate
- T2ce Double connector, behind the glove compartment
- T6at 6-pin connector
- T10f 10-pin connector, behind the glove compartment
- T16t 16-pin connector
- T54 54-pin connector

- 249 Ground connection 2 (in interior wiring harness)
- B340 Connection 58d (in main wiring harness) 1
- \* Only for vehicles with radio navigation system
- \*2 Only for vehicles with telephone charging station
- \*3 Only for vehicles with button module
- \*4 Only for vehicles with telephone charging station and cell phone operating electronics control module

- ws = white
- sw = black
- ro = red
- rt = red
- br = brown
- gn = green
- bl = blue
- gr = grey
- li = lilac
- vi = lilac
- ge = yellow
- or = orange
- rs = pink

15K1-100050315



**Cell phone operating electronics control module, GPS antenna, Telephone antenna, Auxiliary engine coolant heater radio frequency receiver, Auxiliary heater antenna**

- J412 Cell phone operating electronics control module, in the right front footwell
- R50 GPS antenna
- R65 Telephone antenna
- R149 Auxiliary engine coolant heater radio frequency receiver
- R182 Auxiliary heater antenna
- T2ay Double connector, near the roof antenna
- T2az Double connector, near the roof antenna
- T2m Double connector, near the roof antenna
- \* Only for vehicles with auxiliary water heater
- \*2 Only for vehicles with telephone charging station and cell phone operating electronics control module
- \*3 Only for vehicles with telephone charging station

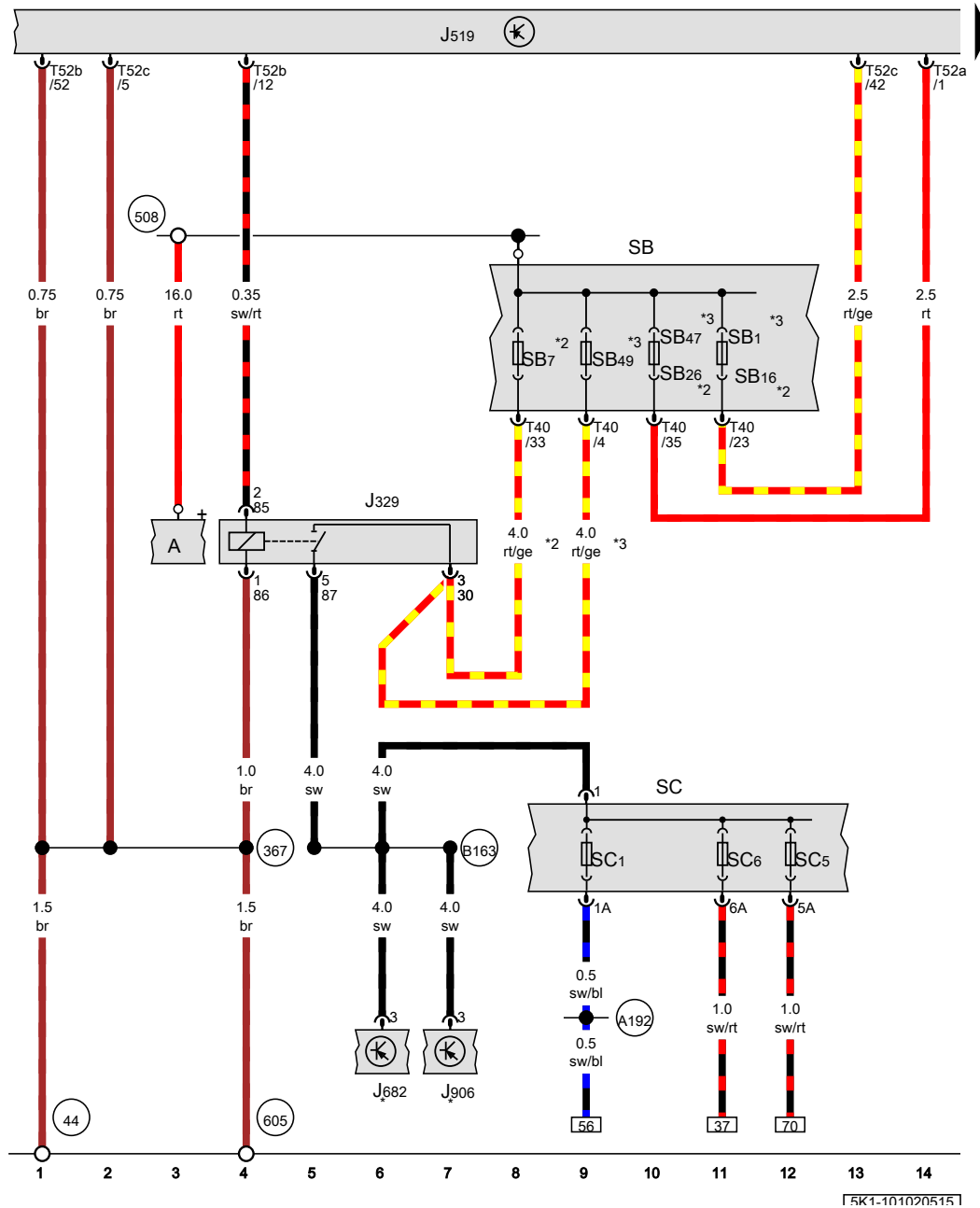
- ws = white
- sw = black
- ro = red
- rt = red
- br = brown
- gn = green
- bl = blue
- gr = grey
- li = lilac
- vi = lilac
- ge = yellow
- or = orange
- rs = pink

15K1-100060315

**Headlamps Bixenon HID with range control, cornering lamp, LED daytime running lamps , (8G1),(8K1),(8K2)**

from November 2010

Terminal 15 power supply relay, Fuse panel B, Fuse panel C



- A Battery
- J329 Terminal 15 power supply relay
- J519 Vehicle electrical control module system
- J682 Terminal 50 power supply relay
- J906 Starter relay 1
- SB Fuse panel B
- SB1 Fuse 1 (on fuse panel B)
- SC Fuse panel C
- SC1 Fuse 1 (on fuse panel C)
- SC5 Fuse 5 (on fuse panel C)
- SC6 Fuse 6 (on fuse panel C)
- SB7 Fuse 7 (on fuse panel B)
- SB16 Fuse 16 (on fuse panel B)
- SB26 Fuse 26 (on fuse panel B)
- SB47 Fuse 47 (on fuse panel B)
- SB49 Fuse 49 (on fuse panel B)
- T40 40-pin connector
- T52a 52-pin connector
- T52b 52-pin connector
- T52c 52-pin connector

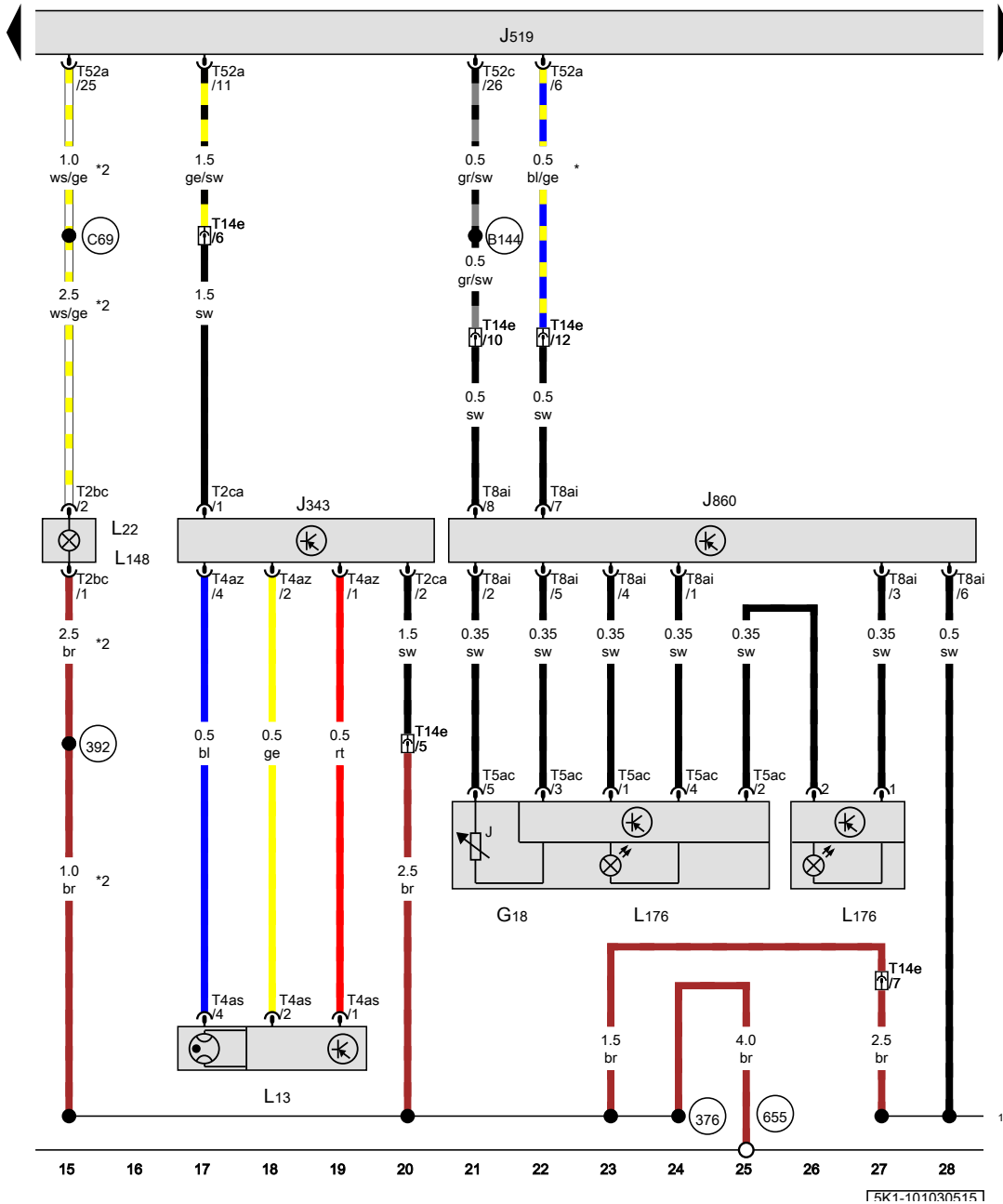
- 44 Ground connection on A-pillar, lower left
- 367 Ground connection 2 (in main wiring harness)
- 508 Terminal 30 threaded connection (on E-box)
- 605 Ground connection on upper steering column
- A192 Positive connection 3 (15a) (in instrument panel wiring harness)
- B163 Positive connection 1 (15) (in interior wiring harness)

- \* Depending on equipment
- \*2 E-Box low
- \*3 E-Box high

- ws = white
- sw = black
- ro = red
- rt = red
- br = brown
- gn = green
- bl = blue
- gr = grey
- li = lilac
- vi = lilac
- ge = yellow
- or = orange
- rs = pink

15K1-101020515

Left HID headlamp control module, Left HID headlamp bulb, Left front fog lamp bulb, Left cornering lamp bulb, Left daytime running lamp and position lamp LED module



- G18 Temperature sensor
- J343 Left HID headlamp control module, on the left headlamp
- J519 Vehicle electrical control module system
- J860 Left daytime running lamp and position lamp control module, in the left headlamp
- L13 Left HID headlamp bulb
- L22 Left front fog lamp bulb
- L148 Left cornering lamp bulb
- L176 Left daytime running lamp and position lamp LED module
- T2bc Double connector
- T2ca Double connector
- T4as 4-pin connector
- T4az 4-pin connector
- T5ac 5-pin connector
- T8ai 8-pin connector
- T14e 14-pin connector, on the left headlamp
- T52a 52-pin connector
- T52c 52-pin connector

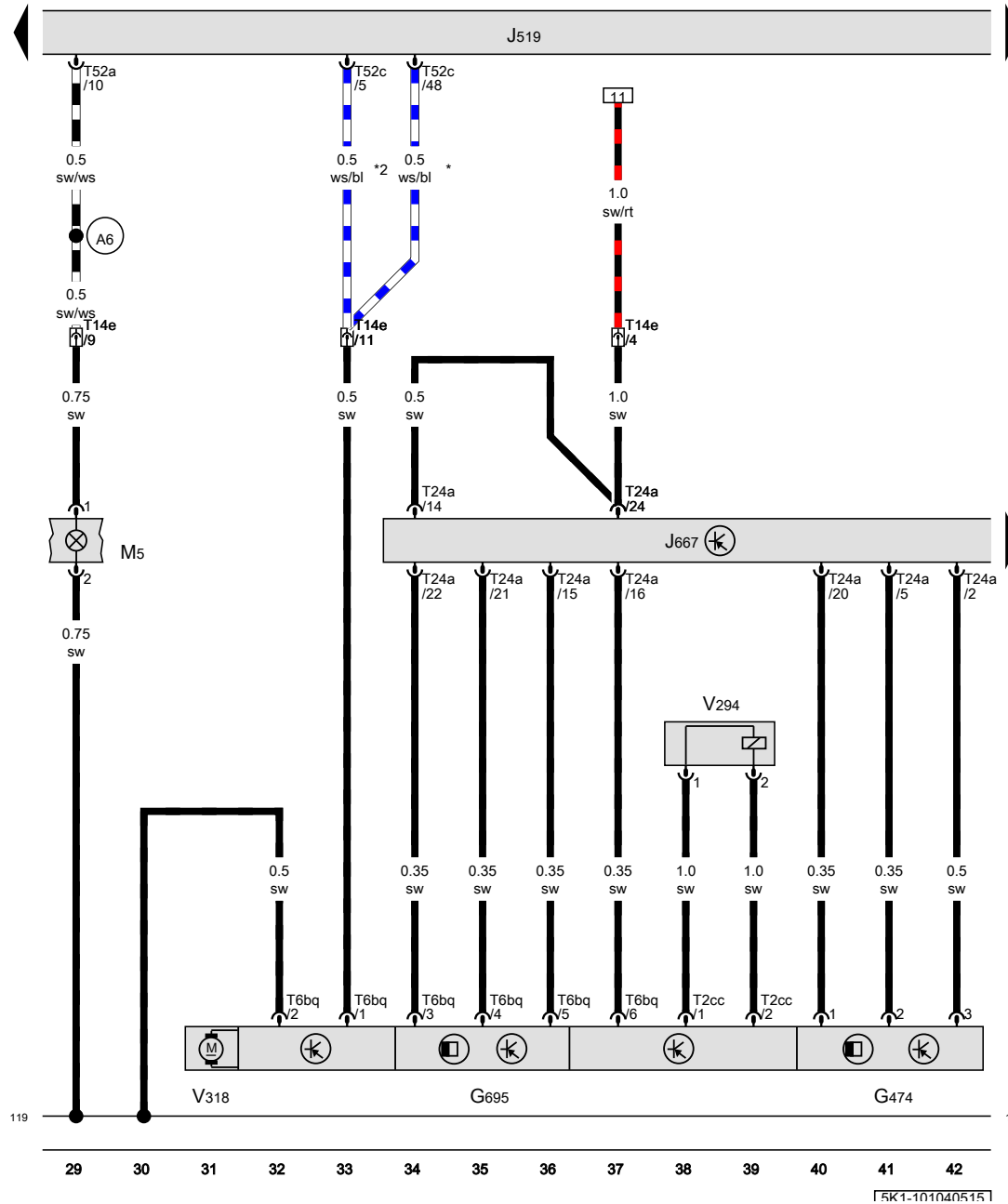
- 119 Ground connection 1 (in headlamp wiring harness)
- 376 Ground connection 11 (in main wiring harness)
- 392 Ground connection 27 (in main wiring harness)
- 655 Ground connection on left headlamp
- B144 Positive connection (58L) (in interior wiring harness)
- C69 Fog lamp connection (in left front wiring harness)

\* Only for vehicles with daytime running lamps  
 \*2 Only for vehicles with fog lamps

- ws = white
- sw = black
- ro = red
- rt = red
- br = brown
- gn = green
- bl = blue
- gr = grey
- li = lilac
- vi = lilac
- ge = yellow
- or = orange
- rs = pink

15K1-101030515

Left swivel module position sensor, Sensor for left variable headlamp positioning motor, Left headlamp power output module, Left front turn signal bulb, Left low beam headlamp reflector motor, Left adaptive cornering lamp motor

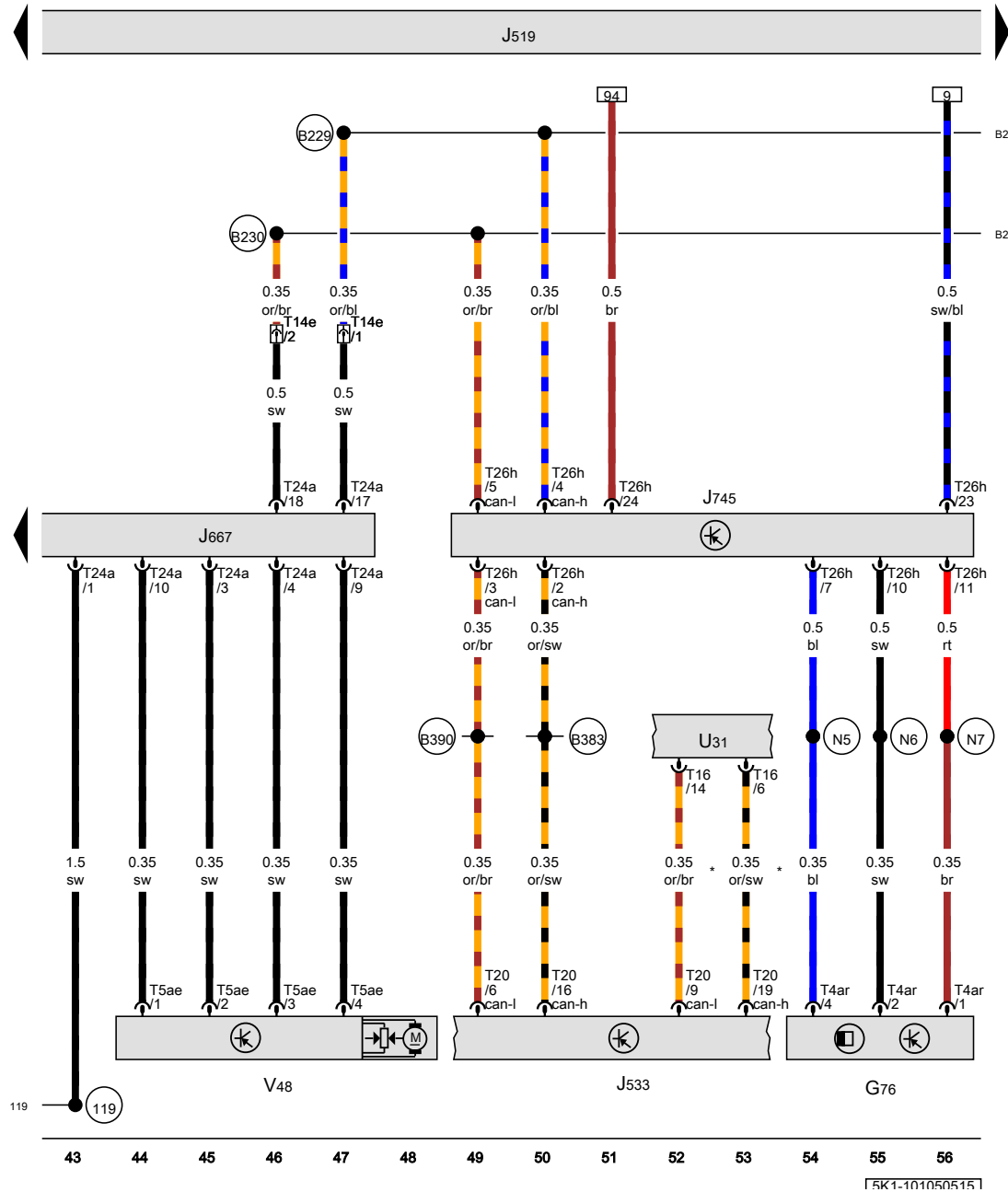


- G474 Left swivel module position sensor
- G695 Sensor for left variable headlamp positioning motor, in the left headlamp
- J519 Vehicle electrical control module system
- J667 Left headlamp power output module, on the left headlamp
- M5 Left front turn signal bulb
- T2cc Double connector
- T6bq 6-pin connector
- T14e 14-pin connector, on the left headlamp
- T24a 24-pin connector
- T52a 52-pin connector
- T52c 52-pin connector
- V294 Left low beam headlamp reflector motor
- V318 Left adaptive cornering lamp motor

- (119) Ground connection 1 (in headlamp wiring harness)
- (A6) Left turn signal positive connection (in instrument panel wiring harness)
- \* through April 2011
- \*2 from May 2011

- ws = white
- sw = black
- ro = red
- rt = red
- br = brown
- gn = green
- bl = blue
- gr = grey
- li = lilac
- vi = lilac
- ge = yellow
- or = orange
- rs = pink

15K1-1010405151



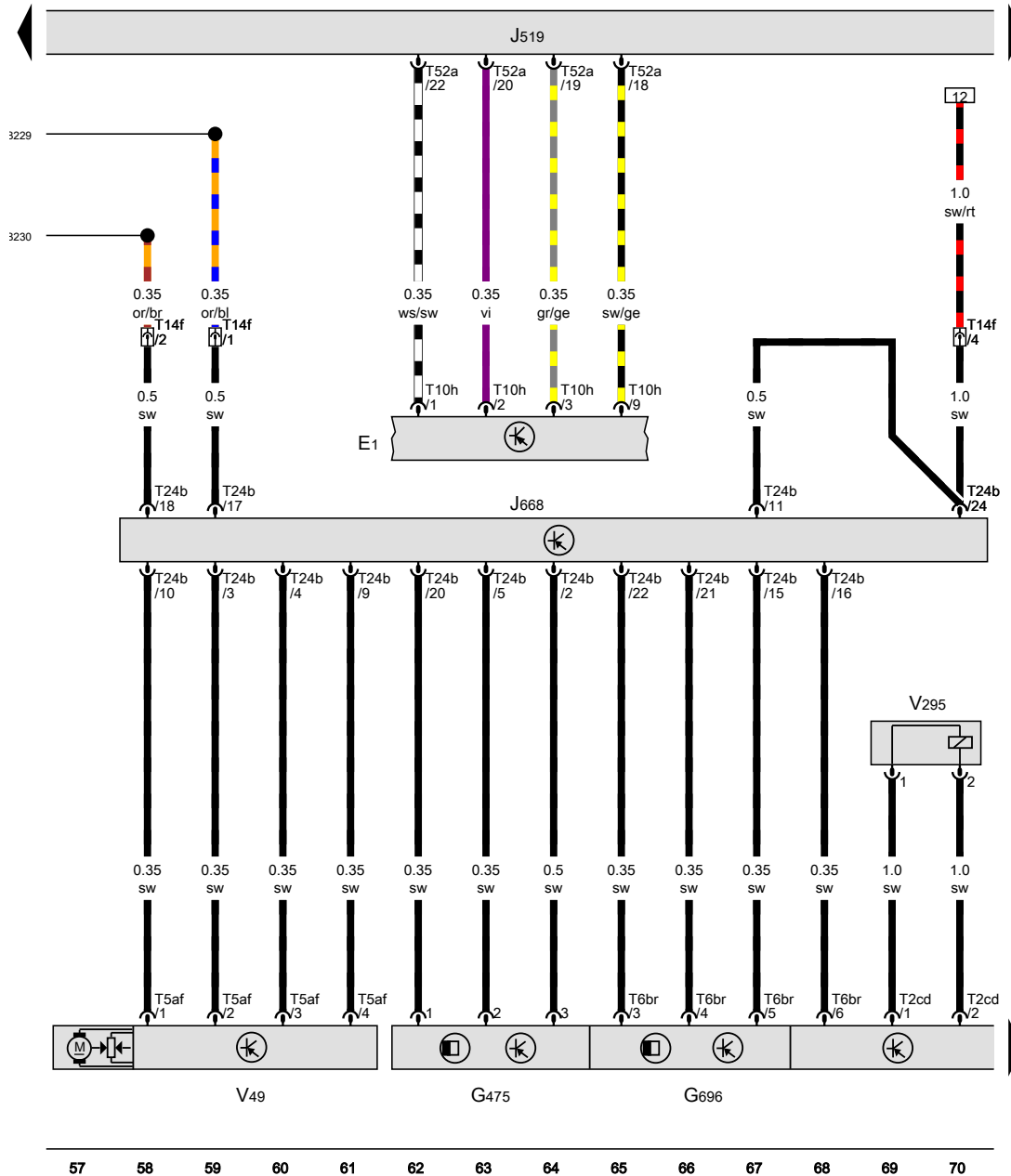
Left rear level control system sensor, Data bus on board diagnostic interface, Left headlamp power output module, Cornering lamp and headlamp range control module, Left headlamp beam adjustment motor

- G76 Left rear level control system sensor
- J519 Vehicle electrical control module system
- J533 Data bus on board diagnostic interface, in the left footwell, near the center console
- J667 Left headlamp power output module, on the left headlamp
- J745 Cornering lamp and headlamp range control module, on the right glove compartment
- T4ar 4-pin connector
- T5ae 5-pin connector
- T14e 14-pin connector, on the left headlamp
- T16 16-pin connector
- T20 20-pin connector
- T24a 24-pin connector
- T26h 26-pin connector
- U31 Diagnostic connection
- V48 Left headlamp beam adjustment motor

- 119 Ground connection 1 (in headlamp wiring harness)
- B229 High bus connection (in interior wiring harness)
- B230 Low bus connection (in interior wiring harness)
- B383 Powertrain CAN bus high connection 1 (in main wiring harness)
- B390 Powertrain CAN bus low connection 1 (in main wiring harness)
- N5 Connection 4 (in headlamp range control wiring harness)
- N6 Connection 5 (in headlamp range control wiring harness)
- N7 Connection 6 (in headlamp range control wiring harness)
- \* Diagnostic connector

- ws = white
- sw = black
- ro = red
- rt = red
- br = brown
- gn = green
- bl = blue
- gr = grey
- li = lilac
- vi = lilac
- ge = yellow
- or = orange
- rs = pink

15K1-101050515



Right swivel module position sensor, Sensor for right variable headlamp positioning motor, Right headlamp power output module, Right headlamp beam adjustment motor, Right low beam headlamp reflector motor

- E1 Light switch
- G475 Right swivel module position sensor
- G696 Sensor for right variable headlamp positioning motor, in the right headlamp
- J519 Vehicle electrical control module system
- J668 Right headlamp power output module, on the right headlamp
- T2cd Double connector
- T5af 5-pin connector
- T6br 6-pin connector
- T10h 10-pin connector
- T14f 14-pin connector, on the right headlamp
- T24b 24-pin connector
- T52a 52-pin connector
- V49 Right headlamp beam adjustment motor
- V295 Right low beam headlamp reflector motor

(B229) High bus connection (in interior wiring harness)

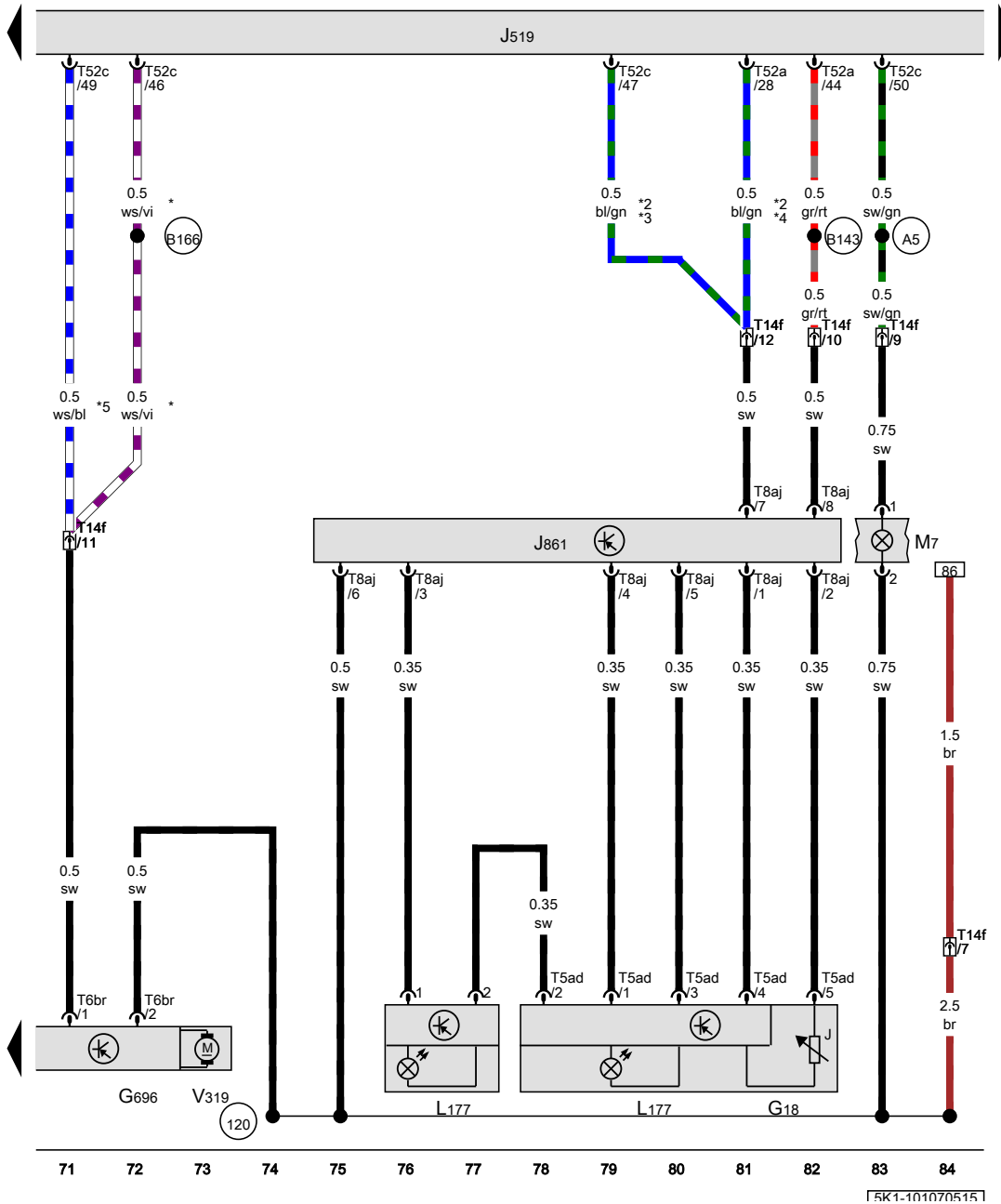
(B230) Low bus connection (in interior wiring harness)

- ws = white
- sw = black
- ro = red
- rt = red
- br = brown
- gn = green
- bl = blue
- gr = grey
- li = lilac
- vi = lilac
- ge = yellow
- or = orange
- rs = pink

15K1-1010605151



Sensor for right variable headlamp positioning motor, Right daytime running lamp and position lamp LED module, Right front turn signal bulb, Right adaptive cornering lamp motor



- G18 Temperature sensor
- G696 Sensor for right variable headlamp positioning motor, in the right headlamp
- J519 Vehicle electrical control module system
- J861 Right daytime running lamp and position lamp control module, in the right headlamp
- L177 Right daytime running lamp and position lamp LED module
- M7 Right front turn signal bulb
- T5ad 5-pin connector
- T6br 6-pin connector
- T8aj 8-pin connector
- T14f 14-pin connector, on the right headlamp
- T52a 52-pin connector
- T52c 52-pin connector
- V319 Right adaptive cornering lamp motor

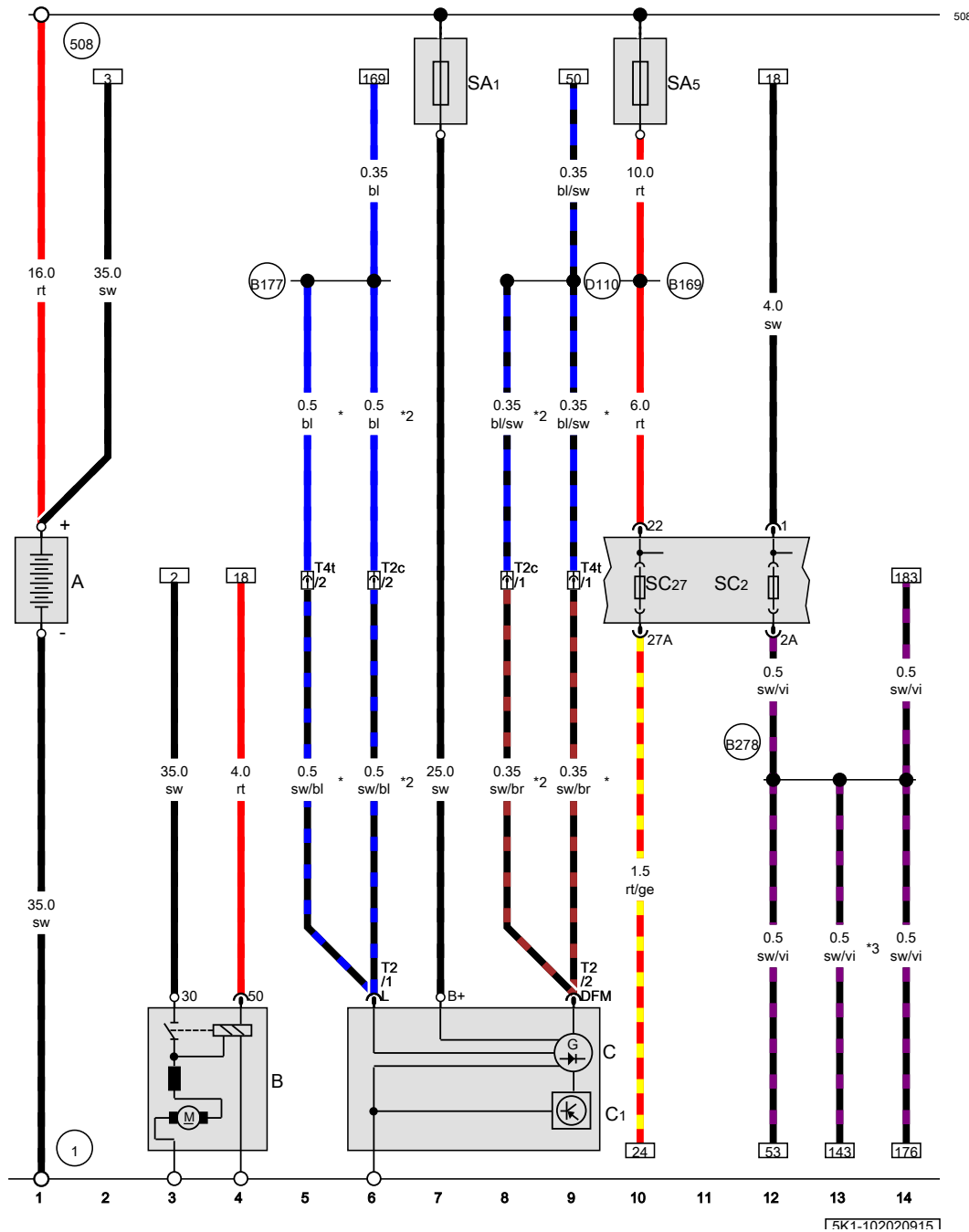
- 120 Ground connection 2 (in headlamp wiring harness)
- A5 Right turn signal positive connection (in instrument panel wiring harness)
- B143 Positive connection (58R) (in interior wiring harness)
- B166 Connection 56a (in interior wiring harness)
- \* from May 2011
- \*2 Only for vehicles with daytime running lamps
- \*3 Only for vehicles without rear fog lamps
- \*4 Only for vehicles with fog lamps
- \*5 through April 2011

- ws = white
- sw = black
- ro = red
- rt = red
- br = brown
- gn = green
- bl = blue
- gr = grey
- li = lilac
- vi = lilac
- ge = yellow
- or = orange
- rs = pink

15K1-101070515



2.5L gasoline engine , CBTA, CBUA  
from November 2010



**Battery, Starter, Generator, Fuse 1 (on fuse panel A), Fuse 2 (on fuse panel C), Fuse 5 (on fuse panel A), Fuse 27 (on fuse panel C)**

- A Battery
- B Starter
- C Generator
- C1 Voltage regulator
- SA1 Fuse 1 (on fuse panel A)
- SC2 Fuse 2 (on fuse panel C)
- SA5 Fuse 5 (on fuse panel A)
- SC27 Fuse 27 (on fuse panel C)
- T2 2-pin connector
- T2c 2-pin connector, near the starter
- T4t 4-pin connector, near the starter

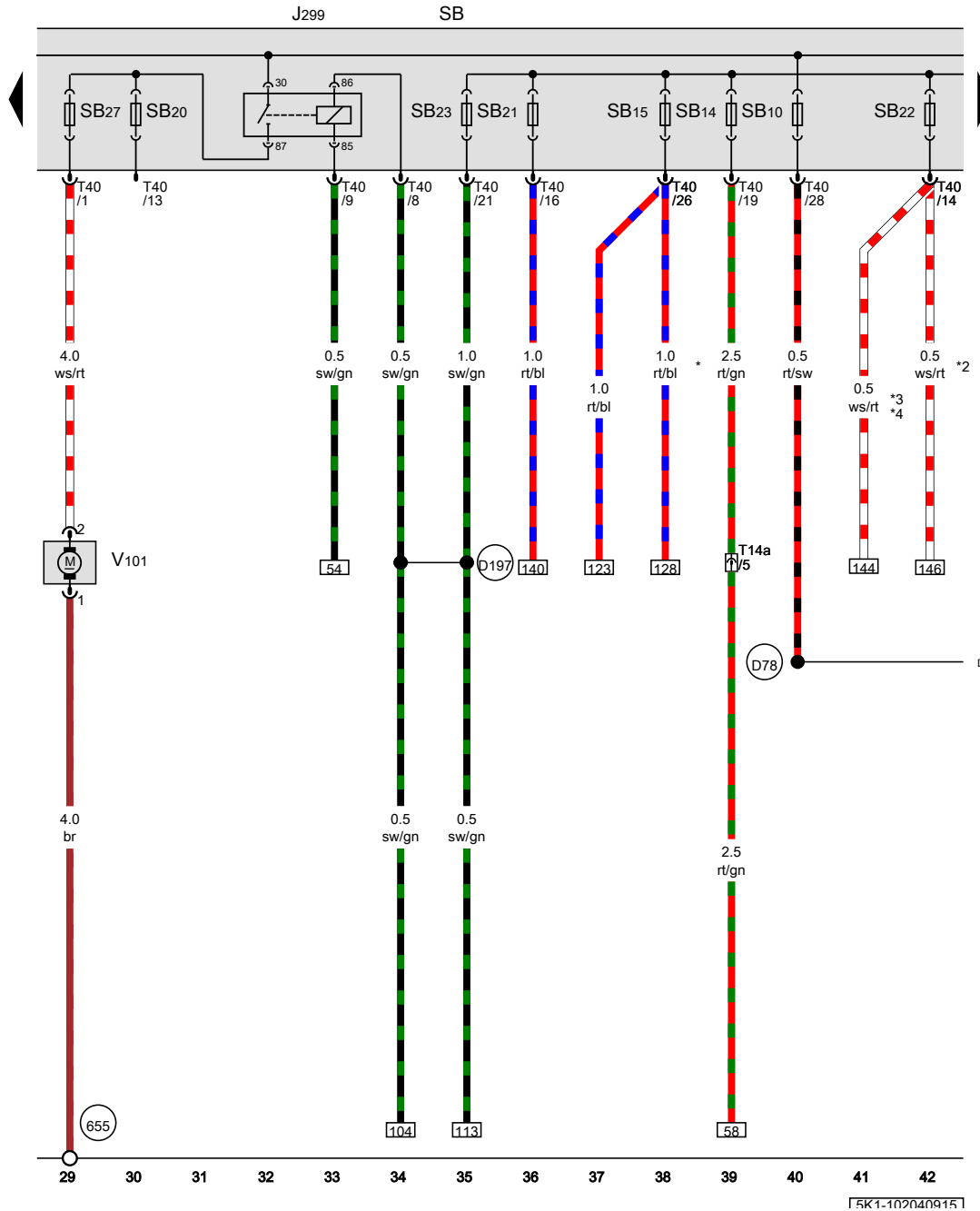
- 1 Ground strap, battery to body
- 508 Terminal 30 threaded connection (on E-box)
- B169 Positive connection 1 (30) (in interior wiring harness)
- B177 Connection 61 (in interior wiring harness)
- B278 Positive connection 2 (15a) (in main wiring harness)
- D110 Connection 8 (in engine compartment wiring harness)

- \* Only for vehicles with A/C system
- \*2 Only for vehicles without an A/C system
- \*3 Through November 2011

- ws = white
- sw = black
- ro = red
- rt = red
- br = brown
- gn = green
- bl = blue
- gr = grey
- li = lilac
- vi = lilac
- ge = yellow
- or = orange
- rs = pink

Г5К1-102020915





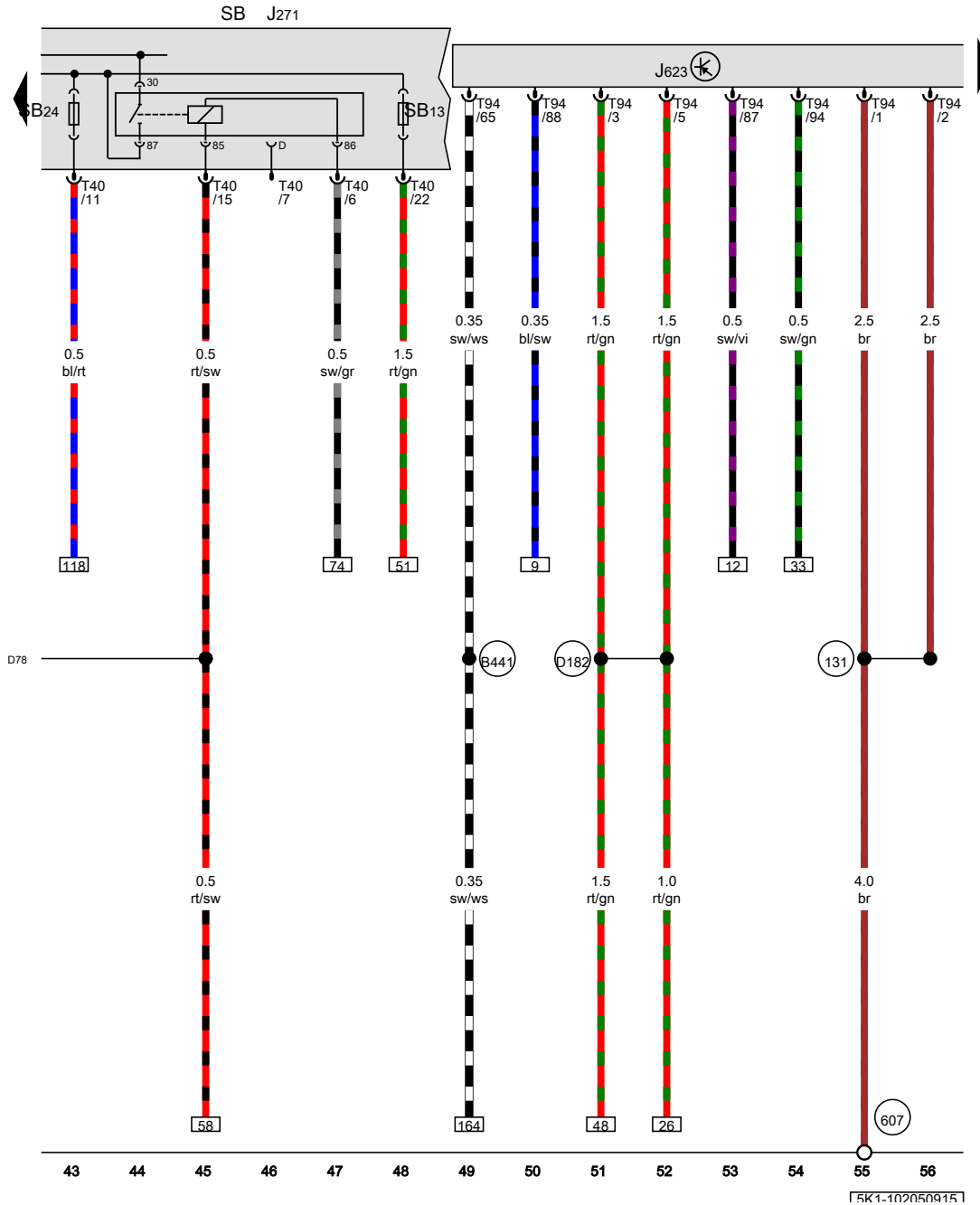
**Secondary air injection pump relay, Fuse panel B,  
Secondary air injection pump motor**

- J299 Secondary air injection pump relay
- SB Fuse panel B
- SB10 Fuse 10 (on fuse panel B)
- SB14 Fuse 14 (on fuse panel B)
- SB15 Fuse 15 (on fuse panel B)
- SB20 Fuse 20 (on fuse panel B)
- SB21 Fuse 21 (on fuse panel B)
- SB22 Fuse 22 (on fuse panel B)
- SB23 Fuse 23 (on fuse panel B)
- SB27 Fuse 27 (on fuse panel B)
- T14a 14-pin connector, near the battery
- T40 40-pin connector
- V101 Secondary air injection pump motor

- 655 Ground connection on left headlamp
- D78 Positive connection 1 (30a) (in engine compartment wiring harness)
- D197 Connection 5 (87a) (in engine compartment wiring harness)
- \* Depending on equipment
- \*2 Only for vehicles with a manual transmission
- \*3 Only for vehicles with automatic transmission
- \*4 from November 2010

- ws = white
- sw = black
- ro = red
- rt = red
- br = brown
- gn = green
- bl = blue
- gr = grey
- li = lilac
- vi = lilac
- ge = yellow
- or = orange
- rs = pink

15K1-102040915



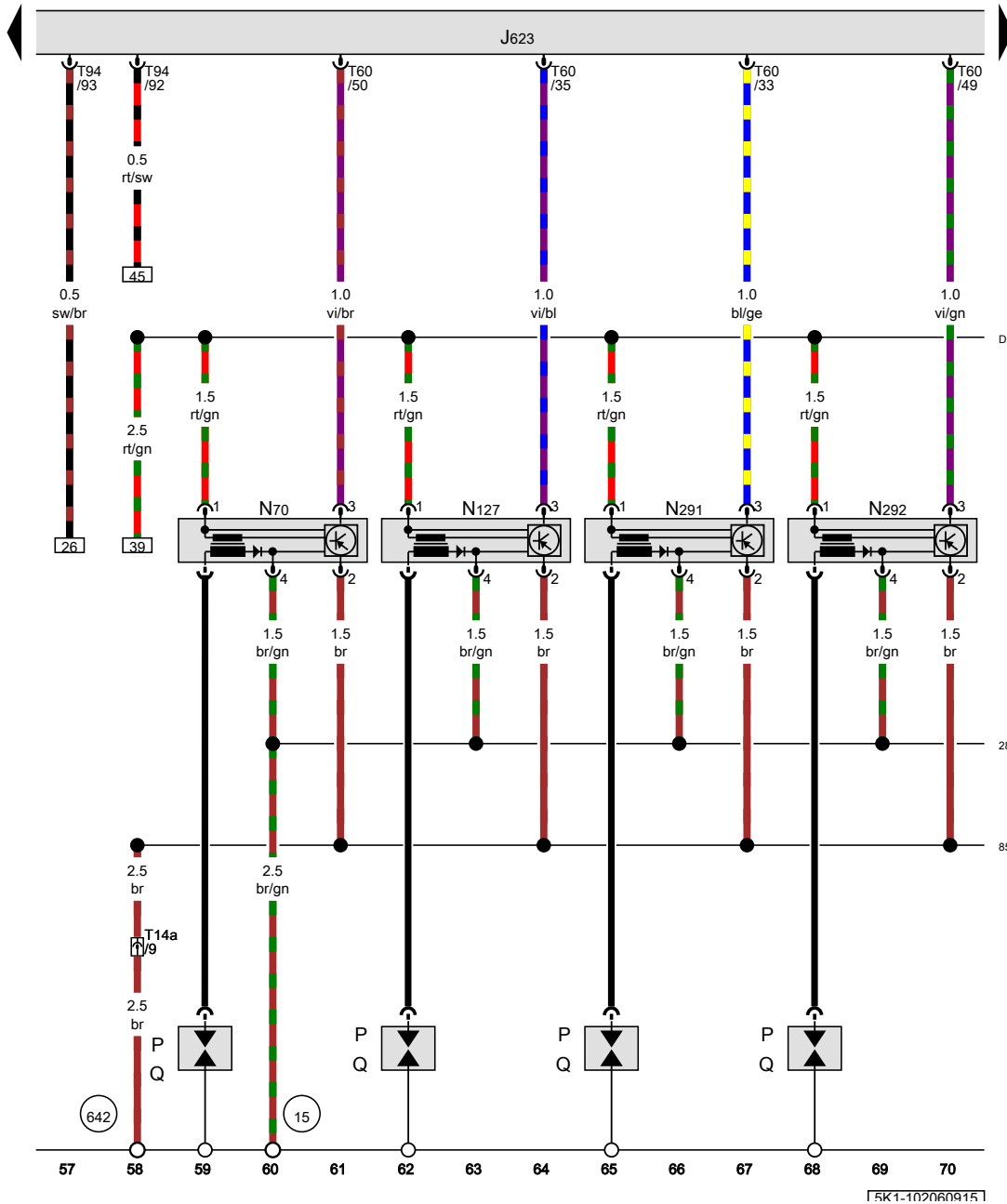
Motronic engine control module power supply relay, Engine control module, Fuse panel B

- J271 Motronic engine control module power supply relay
- J623 Engine control module, in the center plenum chamber
- SB Fuse panel B
- SB13 Fuse 13 (on fuse panel B)
- SB24 Fuse 24 (on fuse panel B)
- T40 40-pin connector
- T94 94-pin connector

- (131) Ground connection 2 (in engine compartment wiring harness)
- (607) Ground connection in plenum chamber, left
- (B441) Cruise control connection (in main wiring harness)
- (D78) Positive connection 1 (30a) (in engine compartment wiring harness)
- (D182) Connection 3 (87a) (in engine compartment wiring harness)

- ws = white
- sw = black
- ro = red
- rt = red
- br = brown
- gn = green
- bl = blue
- gr = grey
- li = lilac
- vi = lilac
- ge = yellow
- or = orange
- rs = pink

15K1-102050915



Engine control module, Ignition coil 1 with power output stage, Ignition coil 2 with power output stage, Ignition coil 3 with power output stage, Ignition coil 4 with power output stage, Spark plugs

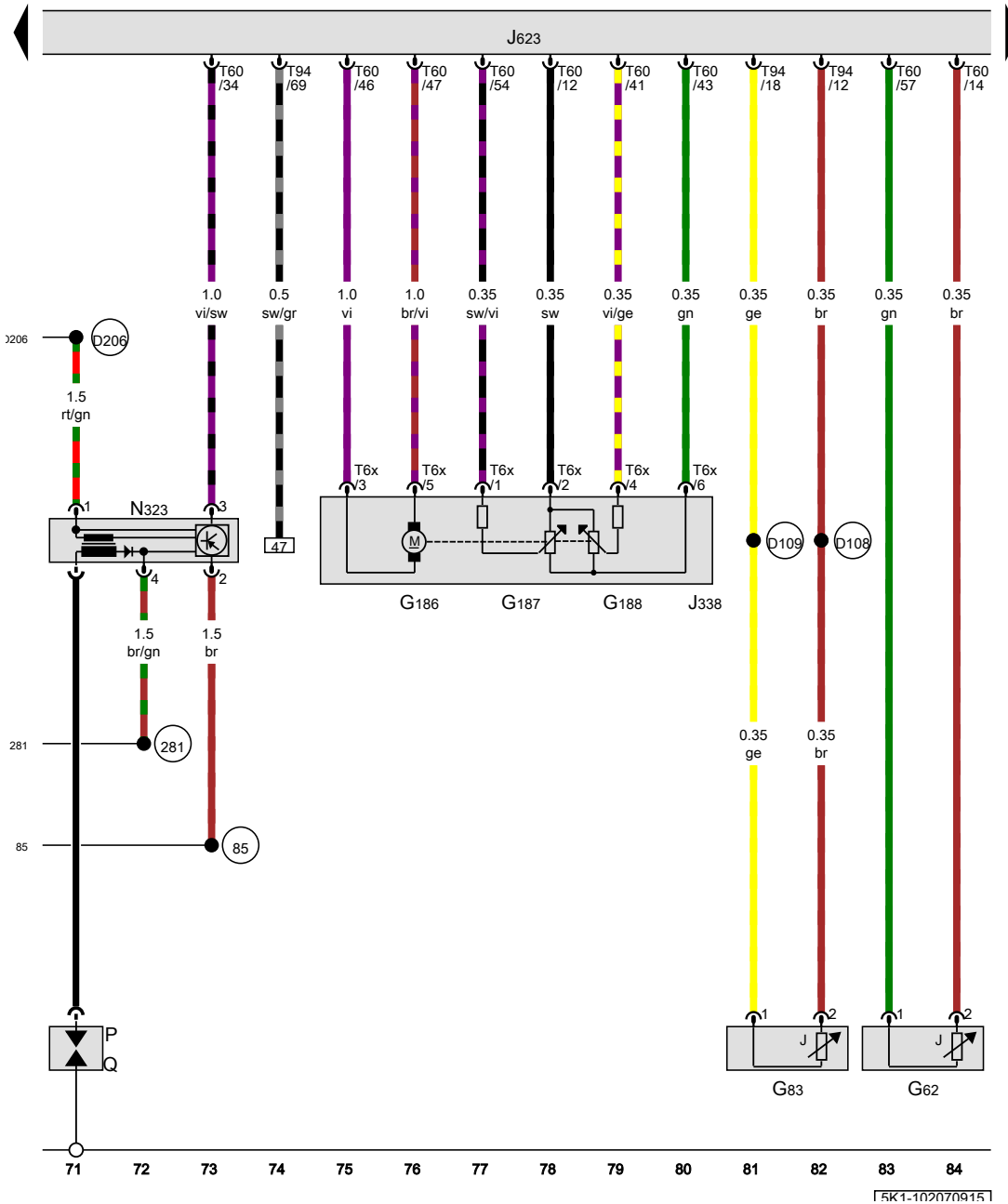
- J623 Engine control module, in the center plenum chamber
- N70 Ignition coil 1 with power output stage
- N127 Ignition coil 2 with power output stage
- N291 Ignition coil 3 with power output stage
- N292 Ignition coil 4 with power output stage
- P Spark plug connectors
- Q Spark plugs
- T14a 14-pin connector, near the battery
- T60 60-pin connector
- T94 94-pin connector

- 15 Ground connection on cylinder head
- 85 Ground connection 1 (in engine compartment wiring harness)
- 281 Ground connection 1 (in engine pre-wiring harness)
- 642 Electronic fan control ground connection
- D206 Connection 87a (in engine pre-wiring harness) 4

- ws = white
- sw = black
- ro = red
- rt = red
- br = brown
- gn = green
- bl = blue
- gr = grey
- li = lilac
- vi = lilac
- ge = yellow
- or = orange
- rs = pink

15K1-102060915





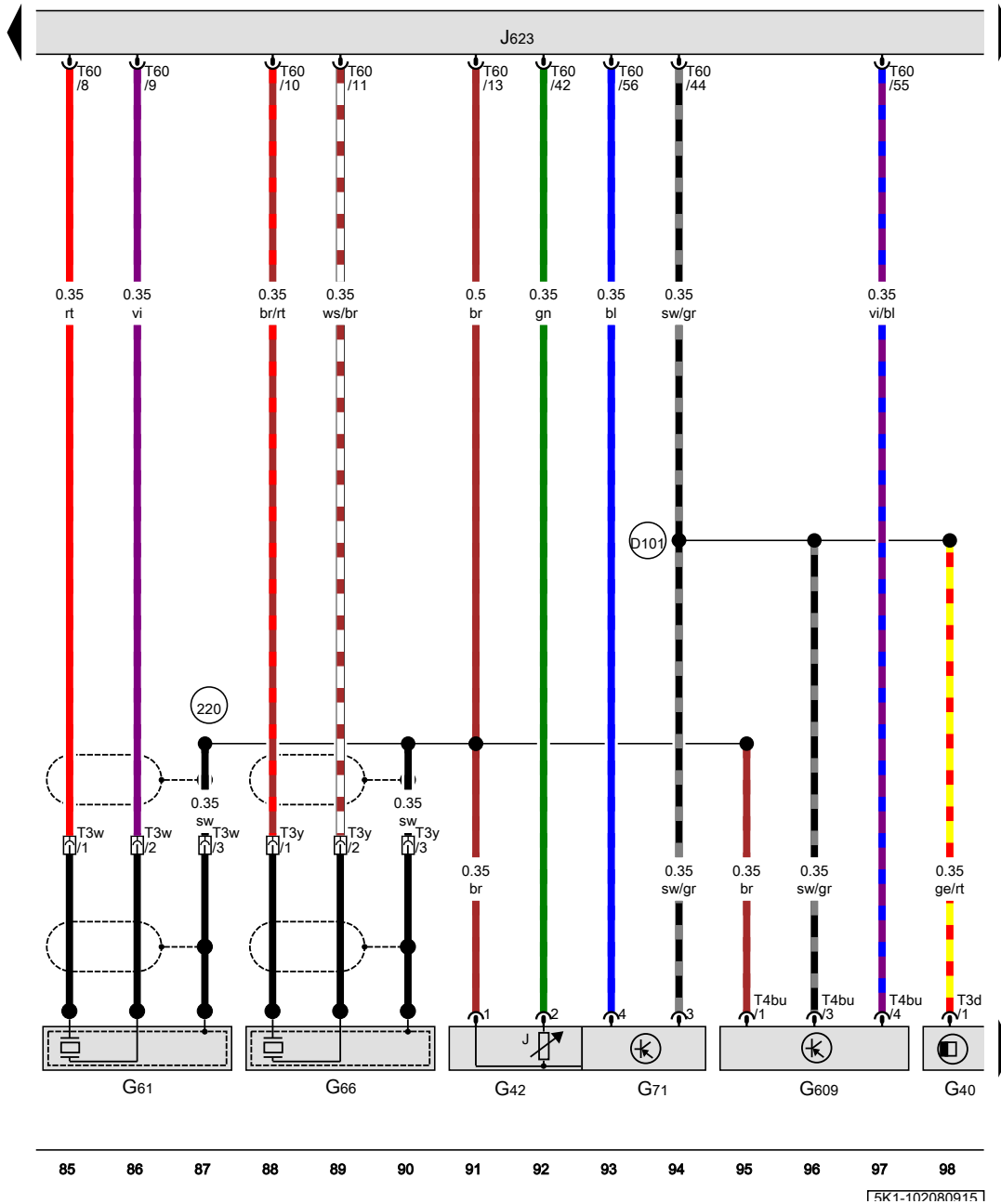
Engine coolant temperature sensor, Engine coolant temperature sensor on radiator outlet, Throttle valve control module, Engine control module, Ignition coil 5 with power output stage

- G62 Engine coolant temperature sensor
- G83 Engine coolant temperature sensor on radiator outlet
- G186 EPC throttle drive
- G187 EPC throttle drive angle sensor 1
- G188 EPC throttle drive angle sensor 2
- J338 Throttle valve control module
- J623 Engine control module, in the center plenum chamber
- N323 Ignition coil 5 with power output stage
- P Spark plug connectors
- Q Spark plugs
- T6x 6-pin connector
- T60 60-pin connector
- T94 94-pin connector

- 85 Ground connection 1 (in engine compartment wiring harness)
- 281 Ground connection 1 (in engine pre-wiring harness)
- D108 Connection 6 (in engine compartment wiring harness)
- D109 Connection 7 (in engine compartment wiring harness)
- D206 Connection 87a (in engine pre-wiring harness) 4

- ws = white
- sw = black
- ro = red
- rt = red
- br = brown
- gn = green
- bl = blue
- gr = grey
- li = lilac
- vi = lilac
- ge = yellow
- or = orange
- rs = pink

15K1-102070915



Camshaft position sensor, Intake air temperature sensor, Knock sensor 1, Knock sensor 2, Manifold absolute pressure sensor, Secondary air injection sensor 1, Engine control module

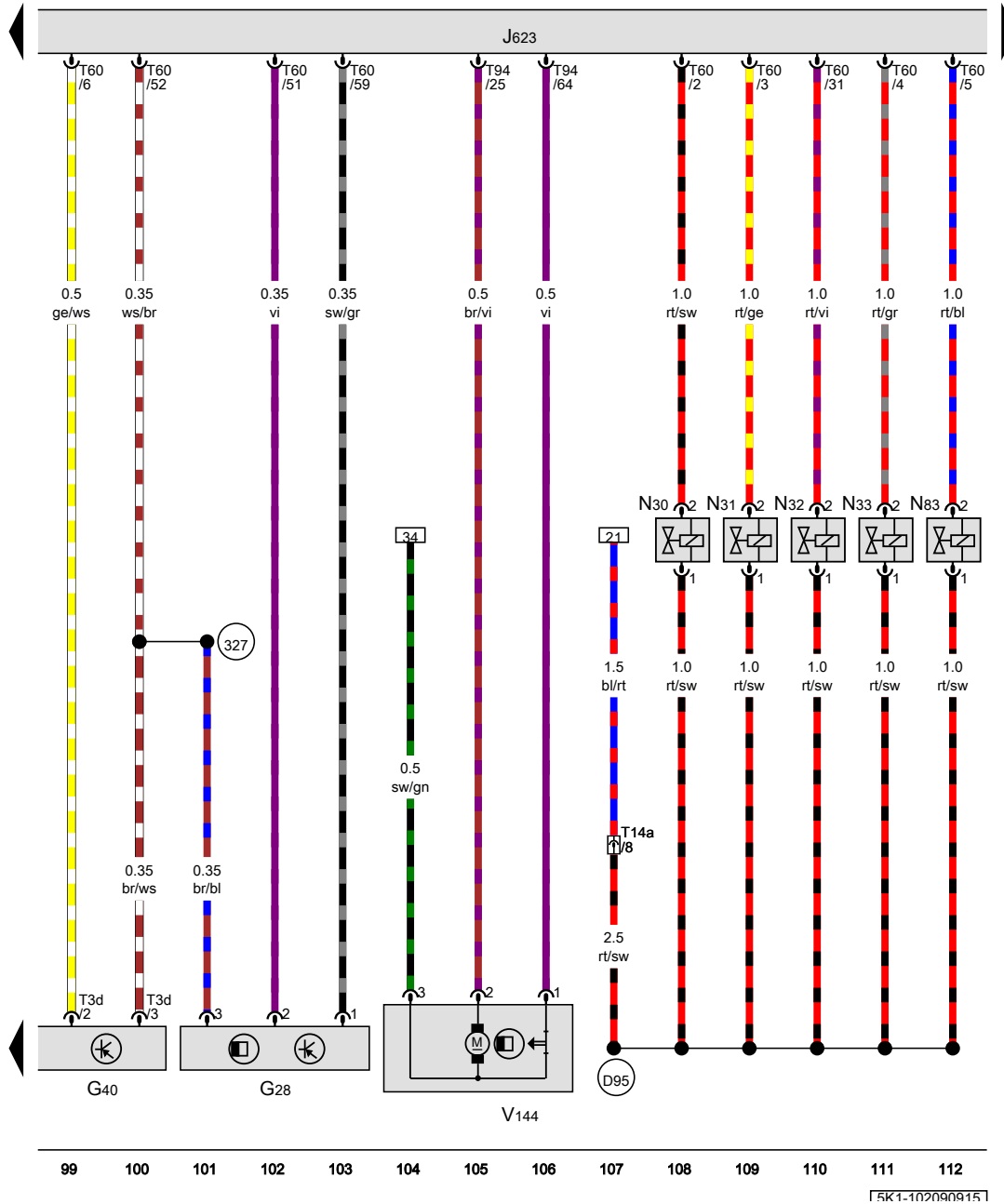
- G40 Camshaft position sensor
- G42 Intake air temperature sensor
- G61 Knock sensor 1
- G66 Knock sensor 2
- G71 Manifold absolute pressure sensor
- G609 Secondary air injection sensor 1
- J623 Engine control module, in the center plenum chamber
- T3d 3-pin connector
- T3w 3-pin connector, on the engine, front
- T3y 3-pin connector, on the engine, front
- T4bu 4-pin connector
- T60 60-pin connector

- (220) Sensor ground connection (in engine wiring harness)
- (D101) Connection 1 (in engine compartment wiring harness)

- ws = white
- sw = black
- ro = red
- rt = red
- br = brown
- gn = green
- bl = blue
- gr = grey
- li = lilac
- vi = lilac
- ge = yellow
- or = orange
- rs = pink

15K1-102080915

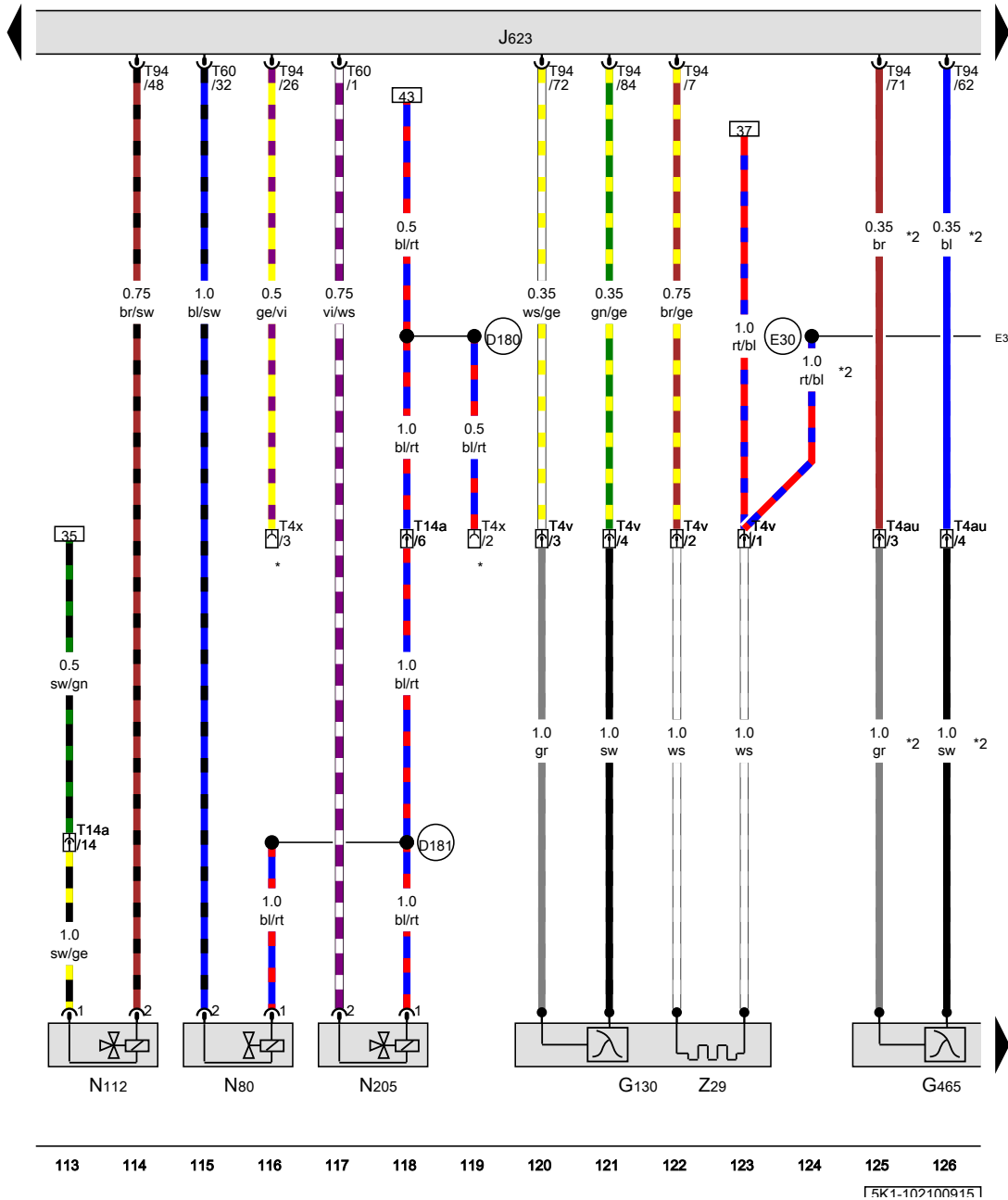
Engine speed sensor, Camshaft position sensor, Engine control module, Cylinder 1 fuel injector, Cylinder 2 fuel injector, Cylinder 3 fuel injector, Cylinder 4 fuel injector, Cylinder 5 fuel injector, Leak detection pump



- G28 Engine speed sensor
- G40 Camshaft position sensor
- J623 Engine control module, in the center plenum chamber
- N30 Cylinder 1 fuel injector
- N31 Cylinder 2 fuel injector
- N32 Cylinder 3 fuel injector
- N33 Cylinder 4 fuel injector
- N83 Cylinder 5 fuel injector
- T3d 3-pin connector
- T14a 14-pin connector, near the battery
- T60 60-pin connector
- T94 94-pin connector
- V144 Leak detection pump
- (327) Sensor ground connection (in engine compartment wiring harness)
- (D95) Injector connection (in engine compartment wiring harness)

- ws = white
- sw = black
- ro = red
- rt = red
- br = brown
- gn = green
- bl = blue
- gr = grey
- li = lilac
- vi = lilac
- ge = yellow
- or = orange
- rs = pink

15K1-102090915



Oxygen sensor after catalytic converter, Center oxygen sensor for bank 1 catalytic converter, Engine control module, EVAP canister purge regulator valve 1, Secondary air injection solenoid valve, Camshaft adjustment valve 1

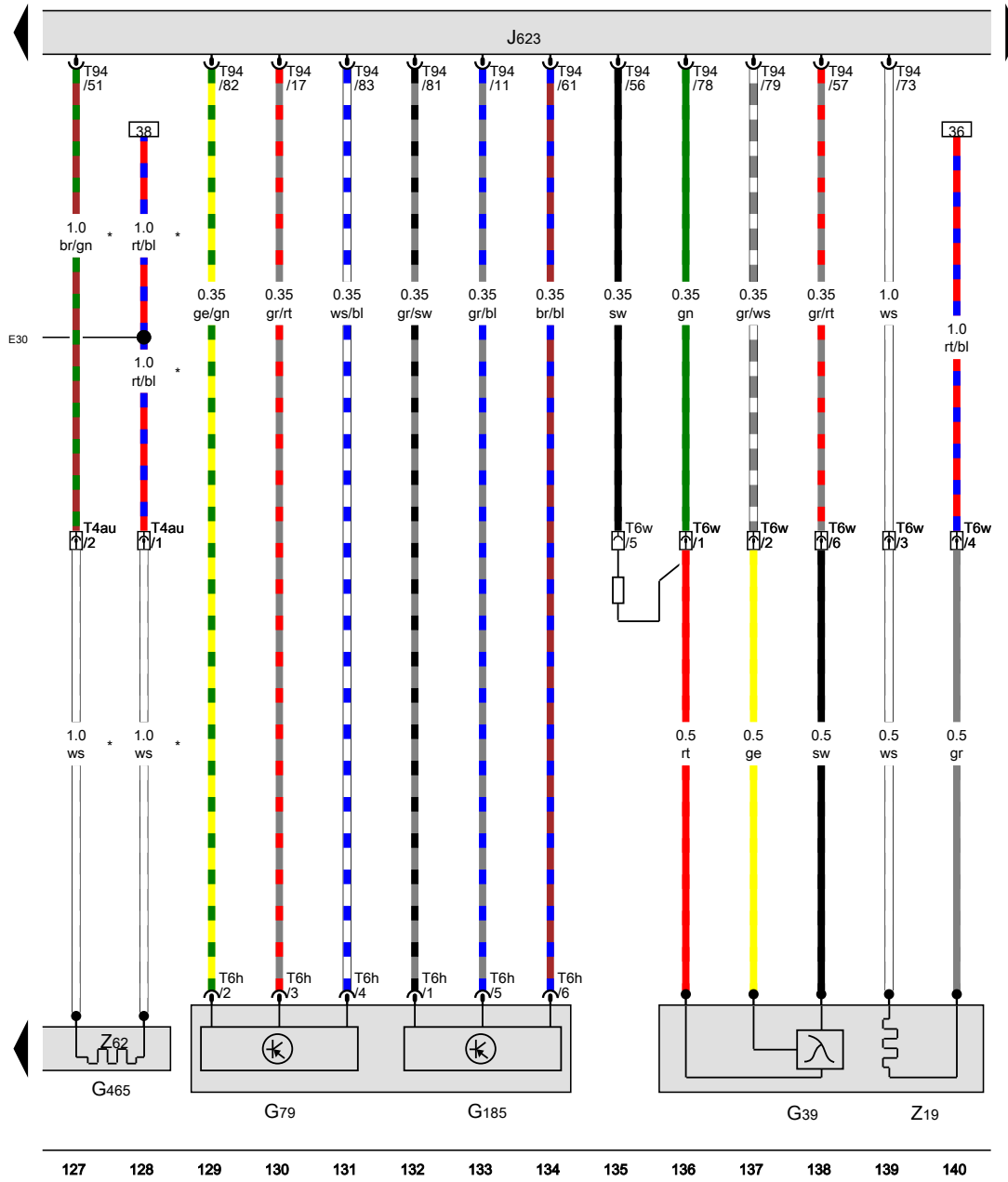
- G130 Oxygen sensor after catalytic converter
- G465 Center oxygen sensor for bank 1 catalytic converter
- J623 Engine control module, in the center plenum chamber
- N80 EVAP canister purge regulator valve 1
- N112 Secondary air injection solenoid valve
- N205 Camshaft adjustment valve 1
- T4au 4-pin connector, near the oxygen sensor
- T4v 4-pin connector, in the engine compartment, front
- T4x 4-pin connector, on the lower left coolant fan
- T14a 14-pin connector, near the battery
- T60 60-pin connector
- T94 94-pin connector
- Z29 Heater for oxygen sensor 1 after catalytic converter

- (D180) Connection 87a (in engine compartment wiring harness)
- (D181) Connection 2 (87a) (in engine compartment wiring harness)
- (E30) Connection 87a (in engine wiring harness)

- \* Radiator fan connection
- \*2 Depending on equipment

- ws = white
- sw = black
- ro = red
- rt = red
- br = brown
- gn = green
- bl = blue
- gr = grey
- li = lilac
- vi = lilac
- ge = yellow
- or = orange
- rs = pink

15K1-102100915



Heated oxygen sensor, Accelerator pedal position sensor, Accelerator pedal position sensor 2, Center oxygen sensor for bank 1 catalytic converter, Engine control module

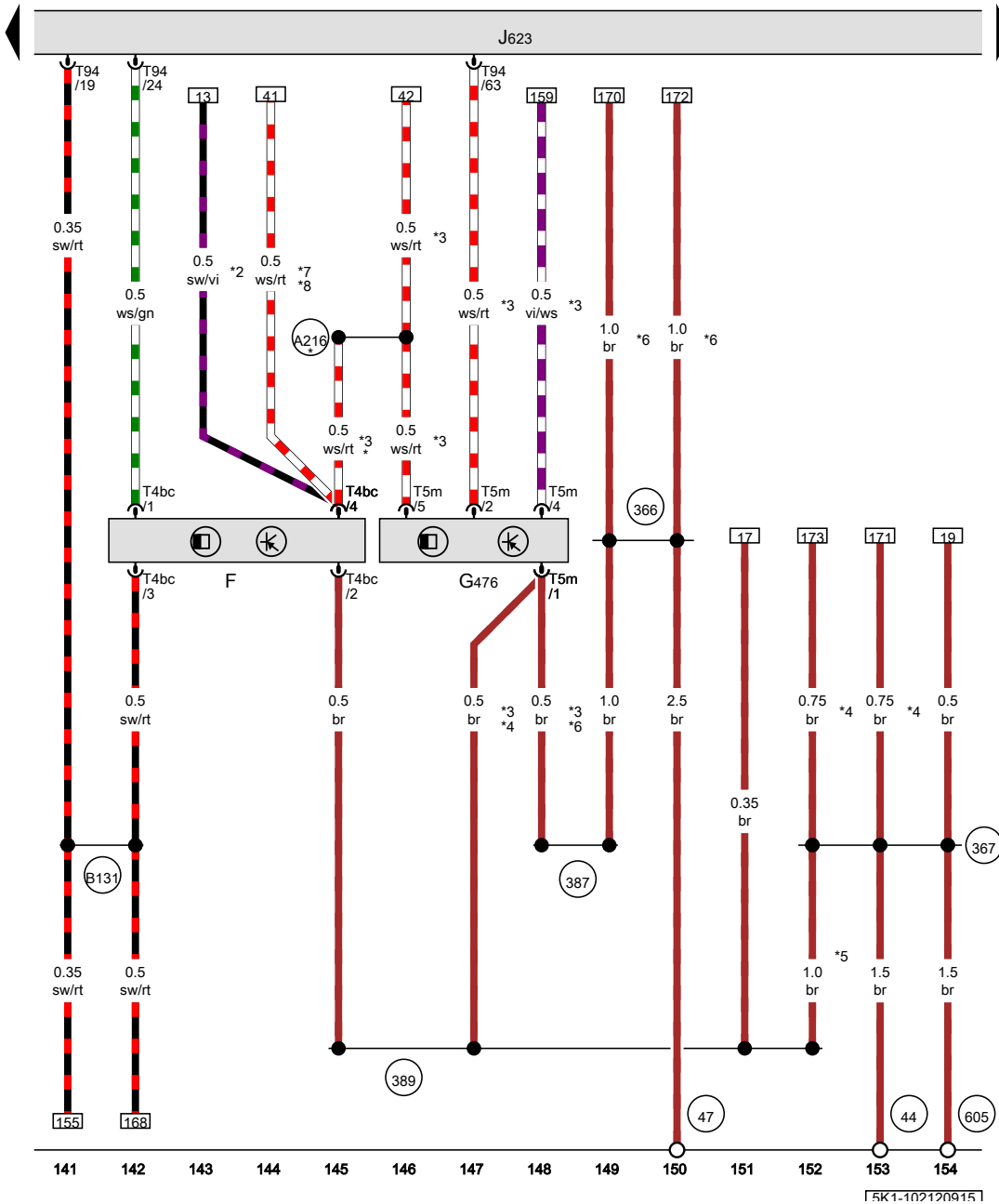
- G39 Heated oxygen sensor
- G79 Accelerator pedal position sensor
- G185 Accelerator pedal position sensor 2
- G465 Center oxygen sensor for bank 1 catalytic converter
- J623 Engine control module, in the center plenum chamber
- T4au 4-pin connector, near the oxygen sensor
- T6h 6-pin connector
- T6w 6-pin connector, in the engine compartment, rear
- T94 94-pin connector
- Z19 Oxygen sensor heater
- Z62 Oxygen sensor 3 heater

E30 Connection 87a (in engine wiring harness)

\* Depending on equipment

- ws = white
- sw = black
- ro = red
- rt = red
- br = brown
- gn = green
- bl = blue
- gr = grey
- li = lilac
- vi = lilac
- ge = yellow
- or = orange
- rs = pink

15K1-102110915



Brake lamp switch, Clutch position sensor, Engine control module

- F Brake lamp switch
- G476 Clutch position sensor
- J623 Engine control module, in the center plenum chamber
- T4bc 4-pin connector
- T5m 5-pin connector
- T94 94-pin connector

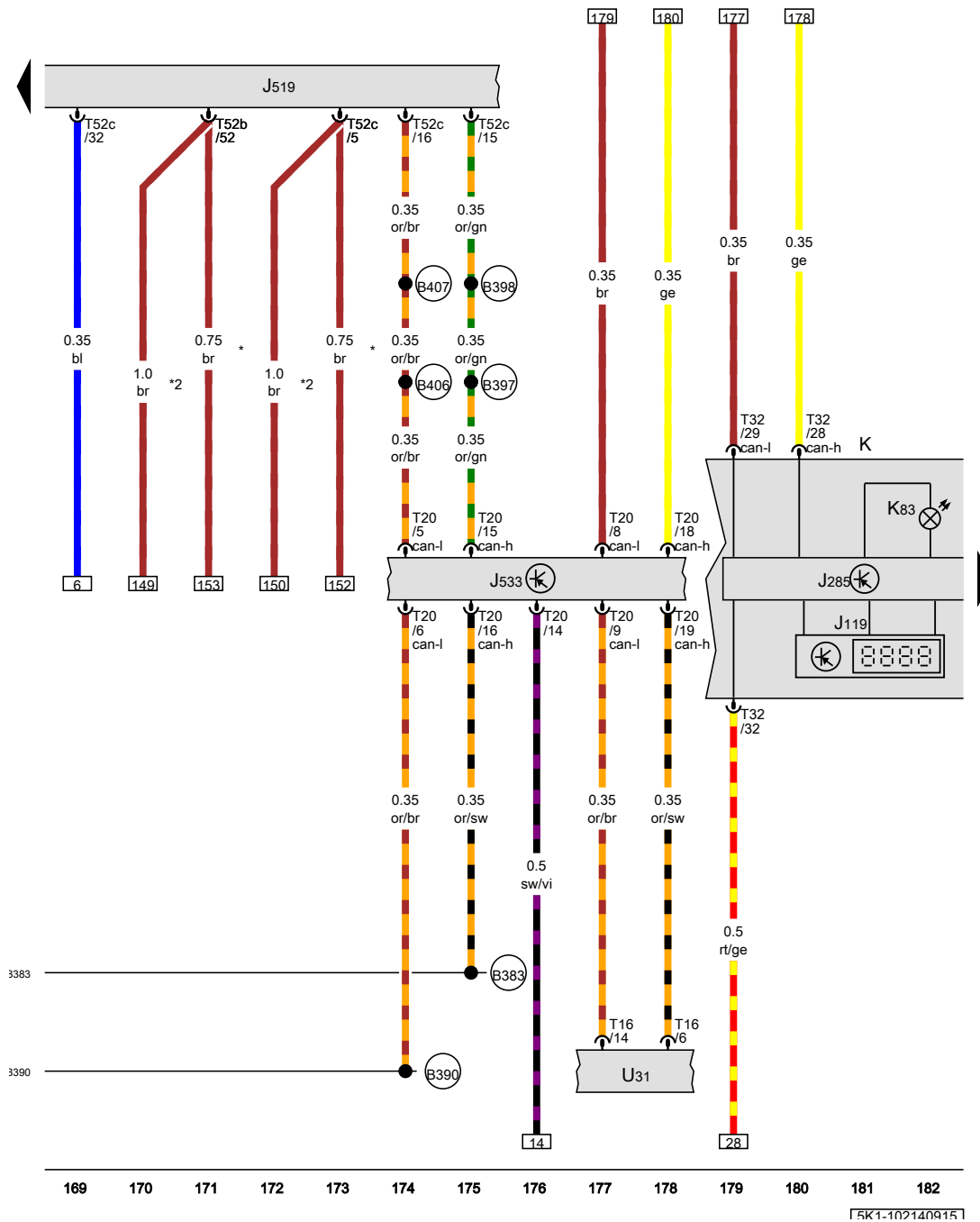
- 44 Ground connection on A-pillar, lower left
- 47 Ground connection in right front footwell
- 366 Ground connection 1 (in main wiring harness)
- 367 Ground connection 2 (in main wiring harness)
- 387 Ground connection 22 (in main wiring harness)
- 389 Ground connection 24 (in main wiring harness)
- 605 Ground connection on upper steering column
- A216 Positive connection 2 (87a) (in instrument panel wiring harness)
- B131 Connection 54 (in interior wiring harness)

- \* from November 2011
- \*2 Through November 2011
- \*3 Only for vehicles with a manual transmission
- \*4 Only for left-hand drive vehicles
- \*5 from May 2011
- \*6 Only for right-hand drive vehicles
- \*7 Only for vehicles with automatic transmission
- \*8 from November 2010

- ws = white
- sw = black
- ro = red
- rt = red
- br = brown
- gn = green
- bl = blue
- gr = grey
- li = lilac
- vi = lilac
- ge = yellow
- or = orange
- rs = pink

15K1-102120915





**Multifunction indicator, Instrument cluster control module, Vehicle electrical control module system, Data bus on board diagnostic interface**

- J119 Multifunction indicator
- J285 Instrument cluster control module
- J519 Vehicle electrical control module system
- J533 Data bus on board diagnostic interface, in the left footwell, near the center console
- K Instrument cluster
- K83 Malfunction indicator lamp
- T16 16-pin connector
- T20 20-pin connector
- T32 32-pin connector
- T52b 52-pin connector
- T52c 52-pin connector
- U31 Diagnostic connection

- (B383) Powertrain CAN bus high connection 1 (in main wiring harness)
- (B390) Powertrain CAN bus low connection 1 (in main wiring harness)
- (B397) Comfort system CAN bus high connection 1 (in main wiring harness)
- (B398) Comfort system CAN bus high connection 2 (in main wiring harness)
- (B406) Comfort system CAN bus low connection 1 (in main wiring harness)
- (B407) Comfort system CAN bus low connection 2 (in main wiring harness)

\* Only for left-hand drive vehicles  
 \*2 Only for right-hand drive vehicles

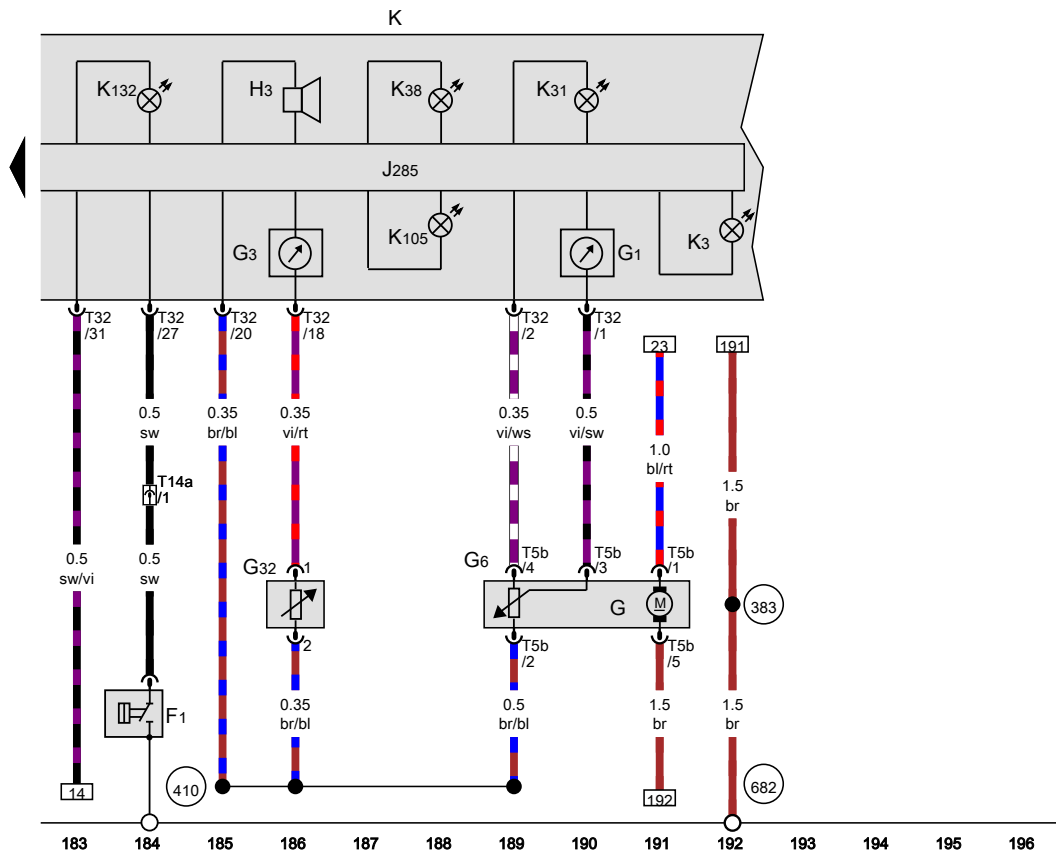
- ws = white
- sw = black
- ro = red
- rt = red
- br = brown
- gn = green
- bl = blue
- gr = grey
- li = lilac
- vi = lilac
- ge = yellow
- or = orange
- rs = pink

15K1-102140915



Oil pressure switch, Fuel level sensor, Fuel gauge, Engine coolant temperature gauge, Transfer fuel pump, Engine coolant level sensor, Instrument cluster control module

- F1 Oil pressure switch
- G Fuel level sensor
- G1 Fuel gauge
- G3 Engine coolant temperature gauge
- G6 Transfer fuel pump
- G32 Engine coolant level sensor
- H3 Warning buzzer and tone
- J285 Instrument cluster control module
- K Instrument cluster
- K3 Oil pressure indicator lamp
- K31 Cruise control indicator lamp
- K38 Oil level indicator lamp
- K105 Low fuel level indicator lamp
- K132 Electronic power control malfunction indicator lamp
- T5b 5-pin connector
- T14a 14-pin connector, near the battery
- T32 32-pin connector



- 383 Ground connection 18 (in main wiring harness)
- 410 Sensor ground connection 1 (in main wiring harness)
- 682 Ground connection 2 in right rear side panel

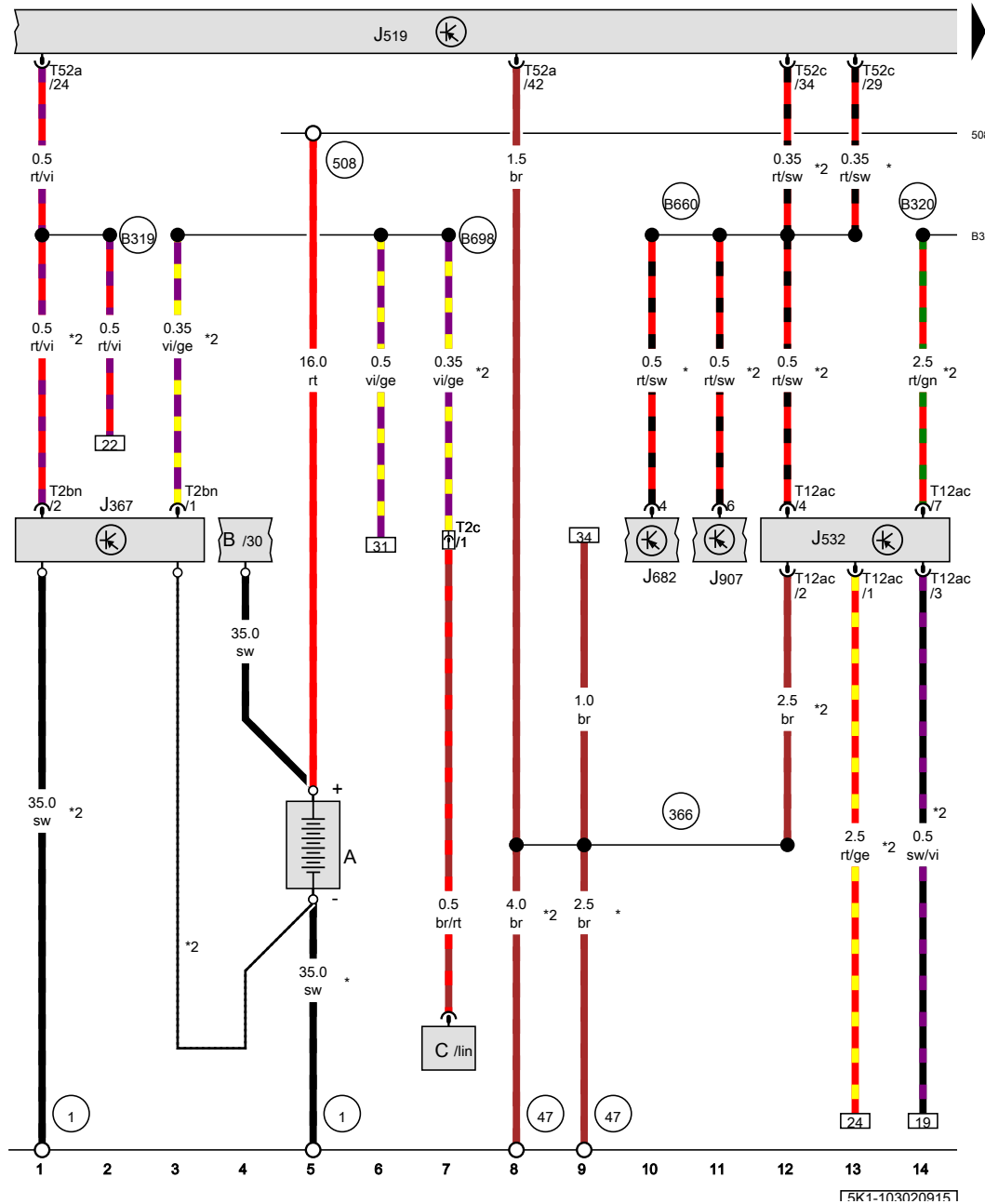
- ws = white
- sw = black
- ro = red
- rt = red
- br = brown
- gn = green
- bl = blue
- gr = grey
- li = lilac
- vi = lilac
- ge = yellow
- or = orange
- rs = pink

15K1-102150915

## Multifunction steering wheel

from May 2011

Battery, Battery monitoring control module, Voltage stabilizer

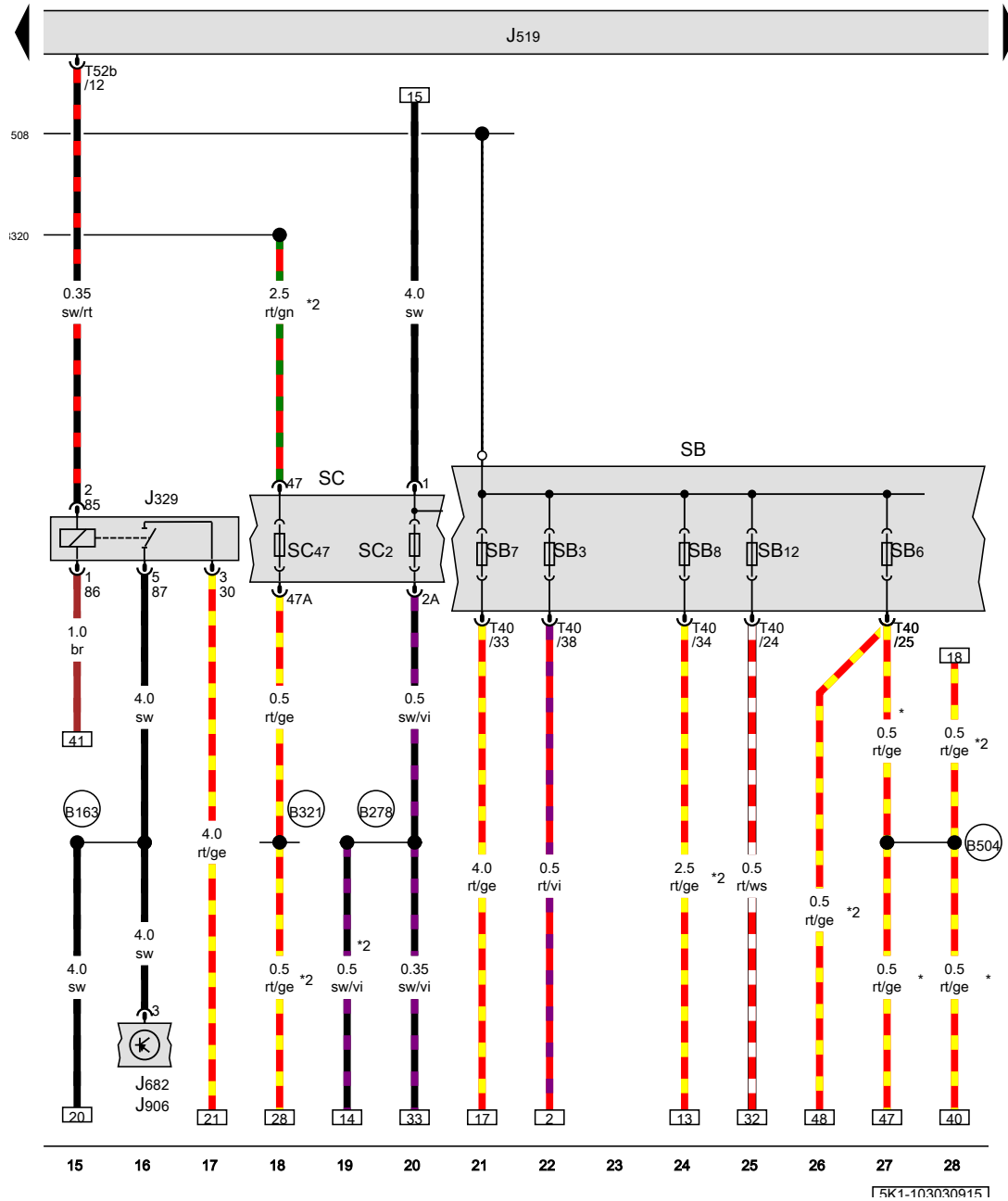


- A Battery
  - B Starter
  - C Generator
  - J367 Battery monitoring control module
  - J519 Vehicle electrical control module system
  - J532 Voltage stabilizer
  - J682 Terminal 50 power supply relay
  - J907 Starter relay 2
  - T2bn 2-pin connector
  - T2c 2-pin connector, near the starter
  - T12ac 12-pin connector
  - T52a 52-pin connector
  - T52c 52-pin connector
- 1 Ground strap, battery to body
  - 47 Ground connection in right front footwell
  - 366 Ground connection 1 (in main wiring harness)
  - 508 Terminal 30 threaded connection (on E-box)
  - B319 Positive connection 5 (30a) (in main wiring harness)
  - B320 Positive connection 6 (30a) (in main wiring harness)
  - B660 Diagnostic terminal 50 connection (in main wiring harness)
  - B698 LIN bus connection 3 (in main wiring harness)
- \* Only for vehicles without Start/Stop system
  - \*2 Only for vehicles with Start/Stop system

ws = white  
 sw = black  
 ro = red  
 rt = red  
 br = brown  
 gn = green  
 bl = blue  
 gr = grey  
 li = lilac  
 vi = lilac  
 ge = yellow  
 or = orange  
 rs = pink

151910301-1

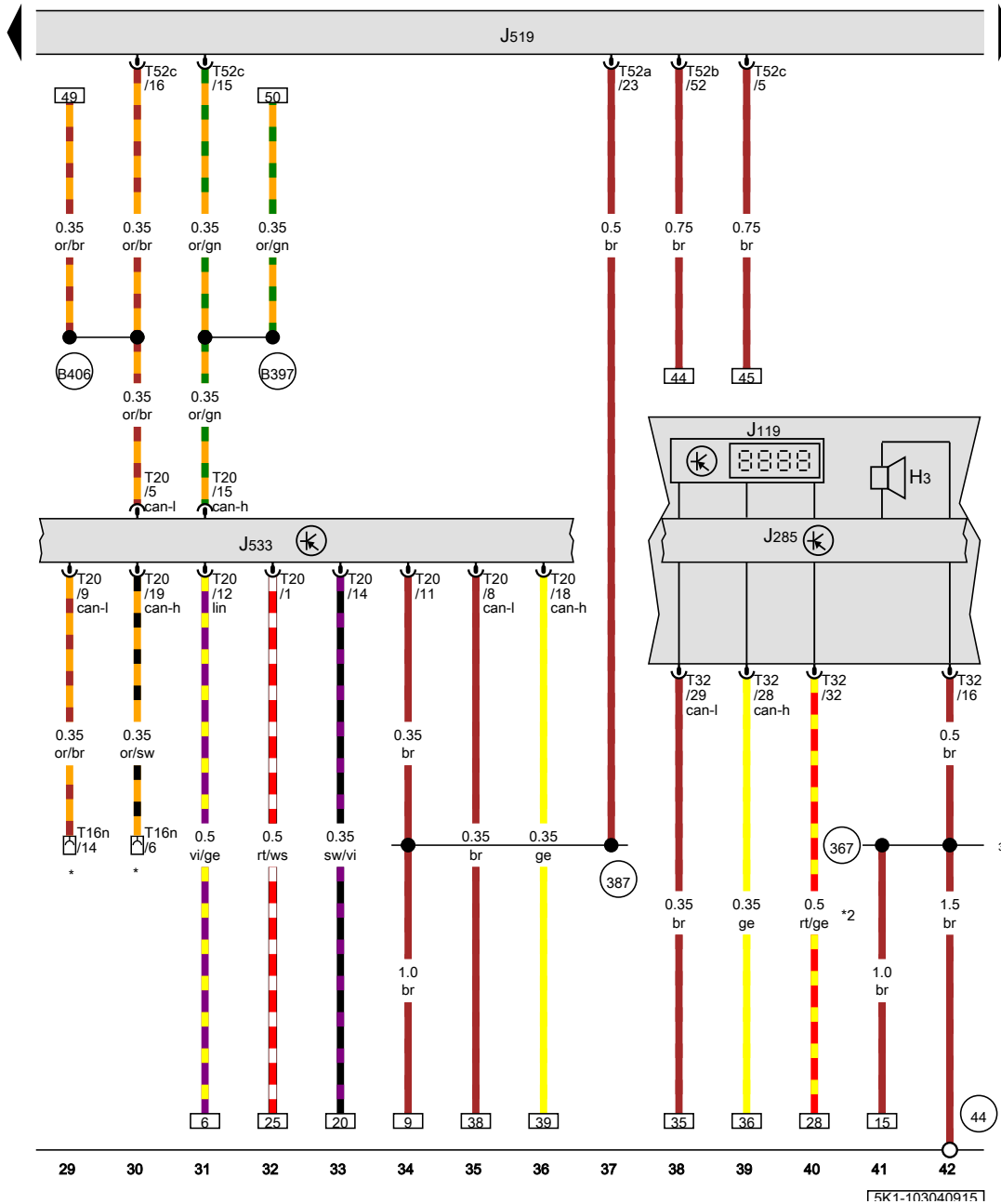
Terminal 15 power supply relay, Fuse panel B, Fuse panel C



- J329 Terminal 15 power supply relay
- J519 Vehicle electrical control module system
- J682 Terminal 50 power supply relay
- J906 Starter relay 1
- SB Fuse panel B
- SC Fuse panel C
- SC2 Fuse 2 (on fuse panel C)
- SB3 Fuse 3 (on fuse panel B)
- SB6 Fuse 6 (on fuse panel B)
- SB7 Fuse 7 (on fuse panel B)
- SB8 Fuse 8 (on fuse panel B)
- SB12 Fuse 12 (on fuse panel B)
- SC47 Fuse 47 (on fuse panel C)
- T40 40-pin connector
- T52b 52-pin connector

- (508) Terminal 30 threaded connection (on E-box)
- (B163) Positive connection 1 (15) (in interior wiring harness)
- (B278) Positive connection 2 (15a) (in main wiring harness)
- (B320) Positive connection 6 (30a) (in main wiring harness)
- (B321) Positive connection 7 (30a) (in main wiring harness)
- (B504) Positive connection 8 (30a) (in interior wiring harness)
- \* Only for vehicles without Start/Stop system
- \*2 Only for vehicles with Start/Stop system

- ws = white
- sw = black
- ro = red
- rt = red
- br = brown
- gn = green
- bl = blue
- gr = grey
- li = lilac
- vi = lilac
- ge = yellow
- or = orange
- rs = pink



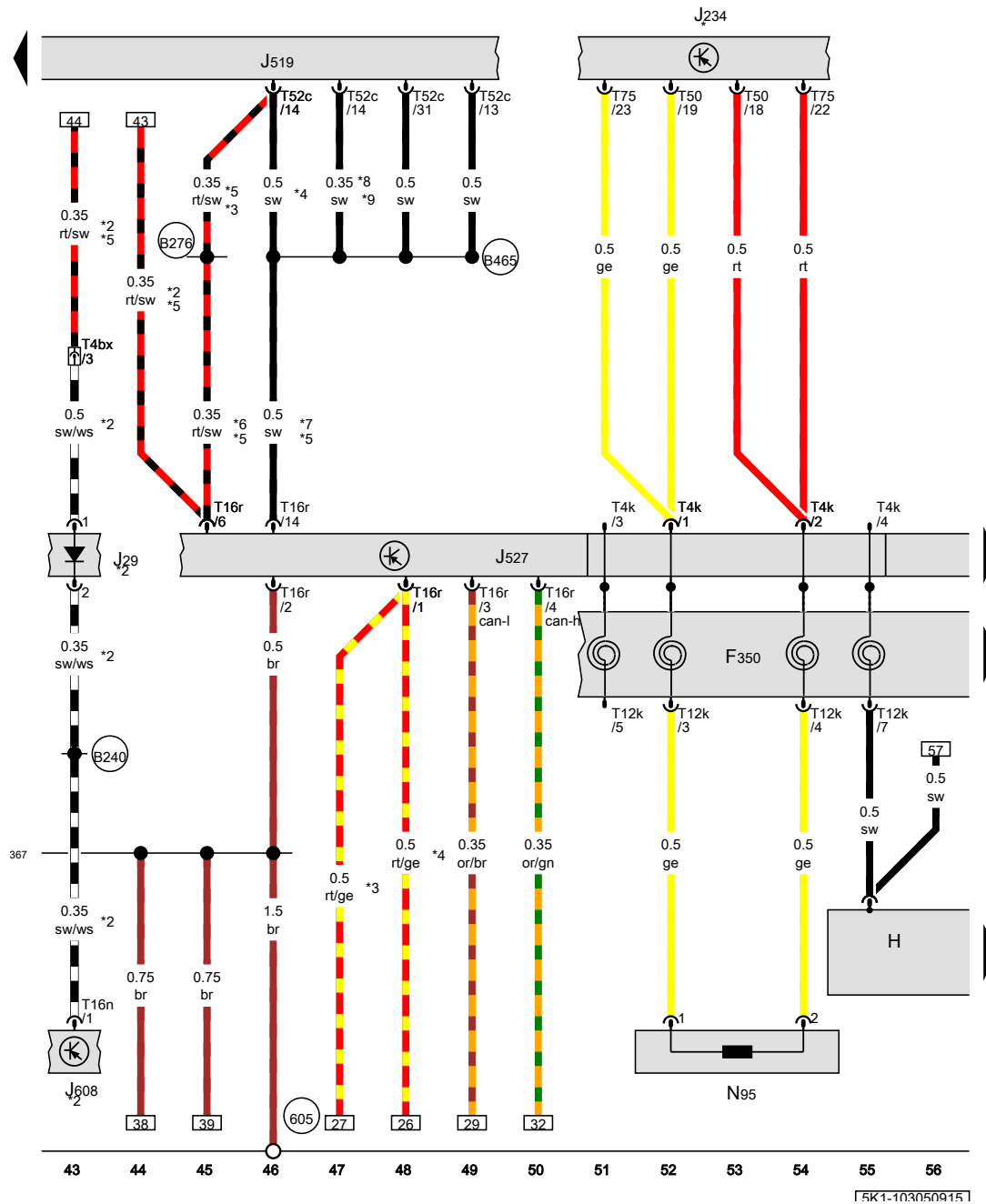
Multifunction indicator, Instrument cluster control module, Data bus on board diagnostic interface

- H3 Warning buzzer and tone
- J119 Multifunction indicator
- J285 Instrument cluster control module
- J519 Vehicle electrical control module system
- J533 Data bus on board diagnostic interface, in the left footwell, near the center console
- T16n 16-pin connector, under the instrument panel, left
- T20 20-pin connector
- T32 32-pin connector
- T52a 52-pin connector
- T52b 52-pin connector
- T52c 52-pin connector

- 44 Ground connection on A-pillar, lower left
- 367 Ground connection 2 (in main wiring harness)
- 387 Ground connection 22 (in main wiring harness)
- B397 Comfort system CAN bus high connection 1 (in main wiring harness)
- B406 Comfort system CAN bus low connection 1 (in main wiring harness)
- \* Diagnostic connector
- \*2 Only for vehicles without Start/Stop system

- ws = white
- sw = black
- ro = red
- rt = red
- br = brown
- gn = green
- bl = blue
- gr = grey
- li = lilac
- vi = lilac
- ge = yellow
- or = orange
- rs = pink

15K1-103040915



Signal horn activation, Steering column electronics control module, Driver airbag igniter

- F350 Spiral spring
- H Signal horn activation
- J29 Blocking diode
- J234 Airbag control module
- J519 Vehicle electrical control module system
- J527 Steering column electronics control module
- J608 Special purpose vehicle control module
- N95 Driver airbag igniter
- T4bx 4-pin connector, near the lower left A-pillar
- T4k 4-pin connector
- T12k 12-pin connector
- T16n 16-pin connector
- T16r 16-pin connector
- T50 50-pin connector
- T52c 52-pin connector
- T75 75-pin connector

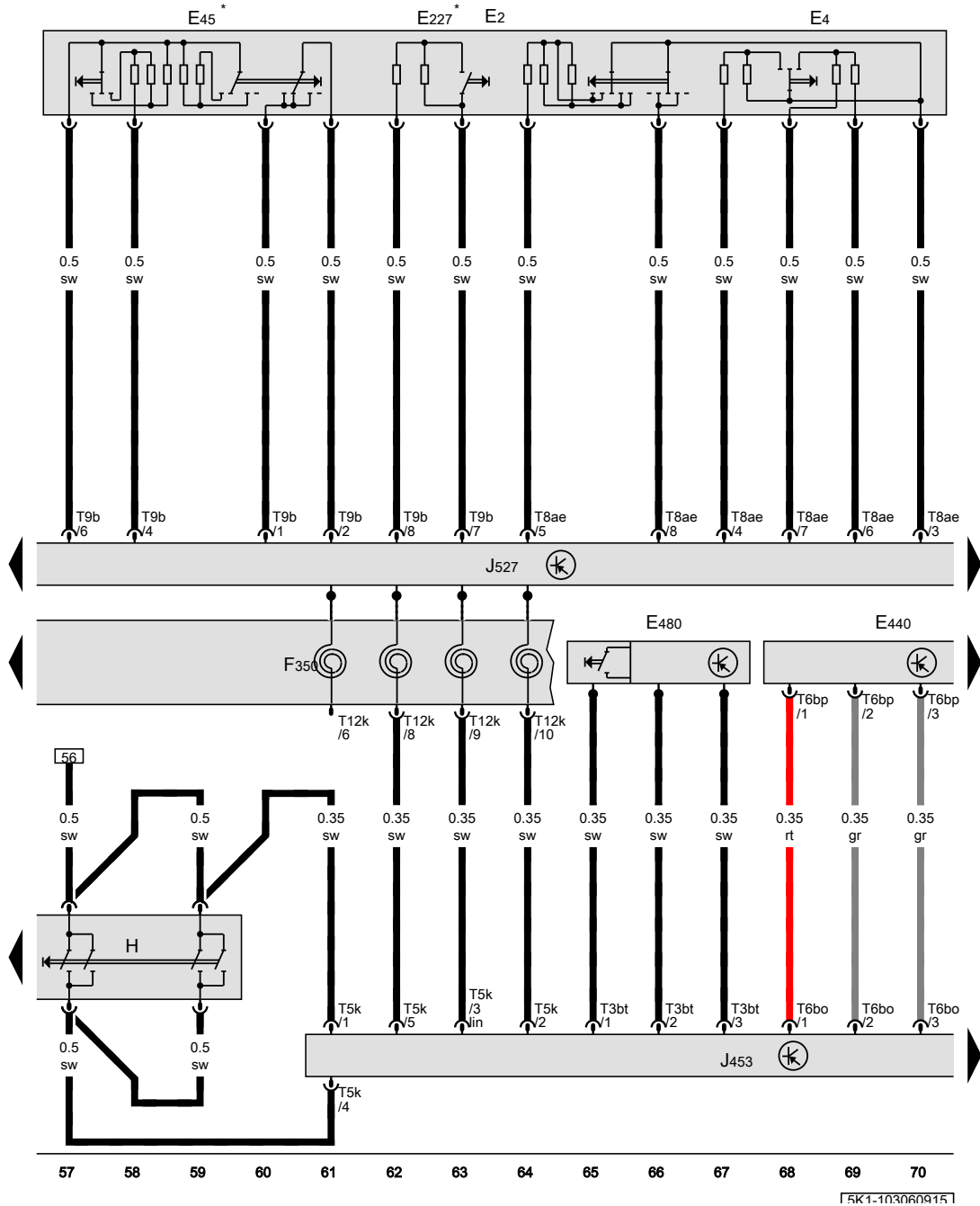
- 367 Ground connection 2 (in main wiring harness)
- 605 Ground connection on upper steering column
- B240 Positive connection 2 (50) (in interior wiring harness)
- B276 Positive connection (50) (in main wiring harness)
- B465 Connection 1 (in main wiring harness)

- \* Refer to applicable airbag wiring diagram
- \*2 only for vehicles with driving assistance special equipment
- \*3 Only for vehicles without Start/Stop system
- \*4 Only for vehicles with Start/Stop system
- \*5 Only for vehicles without access/start authorization system
- \*6 only for vehicles without driving assistance special equipment
- \*7 only for vehicles without police special equipment
- \*8 Only for vehicles with US equipment
- \*9 Refer to applicable engine wiring diagram

- ws = white
- sw = black
- ro = red
- rt = red
- br = brown
- gn = green
- bl = blue
- gr = grey
- li = lilac
- vi = lilac
- ge = yellow
- or = orange
- rs = pink

Turn signal switch, Headlamp dimmer/flasher switch, Cruise control switch, Cruise control -SET- button, Left multifunction buttons on steering wheel, tiptronic downshift button, Signal horn activation, Multifunction steering wheel control module, Steering column electronics control module

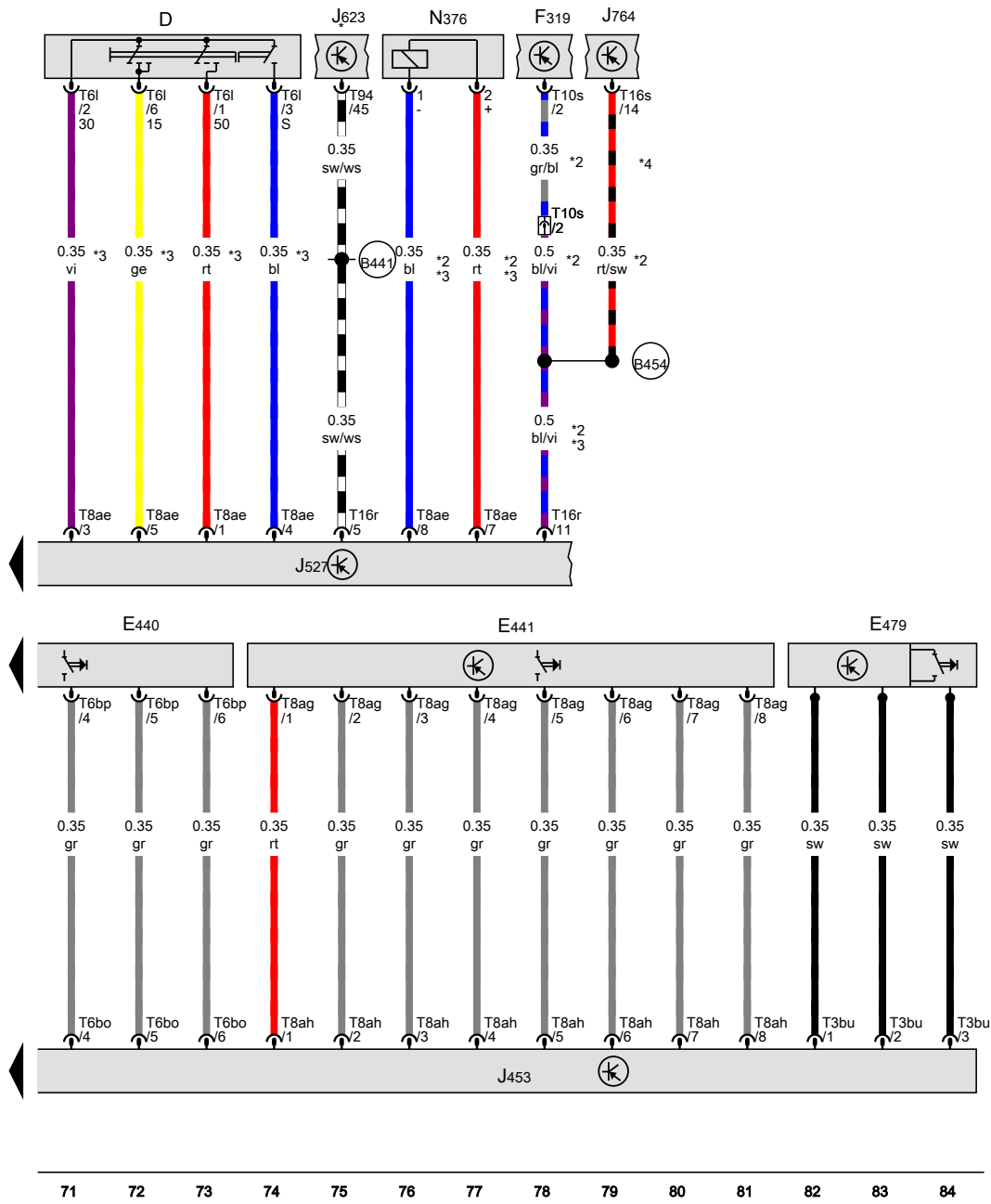
- E2 Turn signal switch
- E4 Headlamp dimmer/flasher switch
- E45 Cruise control switch
- E227 Cruise control -SET- button
- E440 Left multifunction buttons on steering wheel
- E480 tiptronic downshift button
- F350 Spiral spring
- H Signal horn activation
- J453 Multifunction steering wheel control module, in the steering wheel
- J527 Steering column electronics control module
- T3bt 3-pin connector
- T5k 5-pin connector
- T6bo 6-pin connector
- T6bp 6-pin connector
- T8ae 8-pin connector
- T9b 9-pin connector
- T12k 12-pin connector
- \* Only for vehicles with cruise control



- ws = white
- sw = black
- ro = red
- rt = red
- br = brown
- gn = green
- bl = blue
- gr = grey
- li = lilac
- vi = lilac
- ge = yellow
- or = orange
- rs = pink

15K1-103060915

Ignition/starter switch, Left multifunction buttons on steering wheel, Right multifunction buttons on steering wheel, tiptronic upshift button, Multifunction steering wheel control module, Steering column electronics control module, Ignition switch key lock solenoid



- D Ignition/starter switch
- E440 Left multifunction buttons on steering wheel
- E441 Right multifunction buttons on steering wheel
- E479 tiptronic upshift button
- F319 Selector lever park position lock switch
- J453 Multifunction steering wheel control module, in the steering wheel
- J527 Steering column electronics control module
- J623 Engine control module
- J764 Electronic steering column lock control module
- N376 Ignition switch key lock solenoid, on the ignition/starter switch
- T3bu 3-pin connector
- T6bo 6-pin connector
- T6bp 6-pin connector
- T6l 6-pin connector
- T8ae 8-pin connector
- T8ag 8-pin connector
- T8ah 8-pin connector
- T10s 10-pin connector, under the selector lever
- T16r 16-pin connector
- T16s 16-pin connector
- T94 94-pin connector

B441 Cruise control connection (in main wiring harness)

B454 Shift lock connection (in main wiring harness)

- \* Refer to applicable engine wiring diagram
- \*2 Only for vehicles with DSG transmission
- \*3 Only for vehicles without access/start authorization system
- \*4 only for vehicles with access/start authorization system

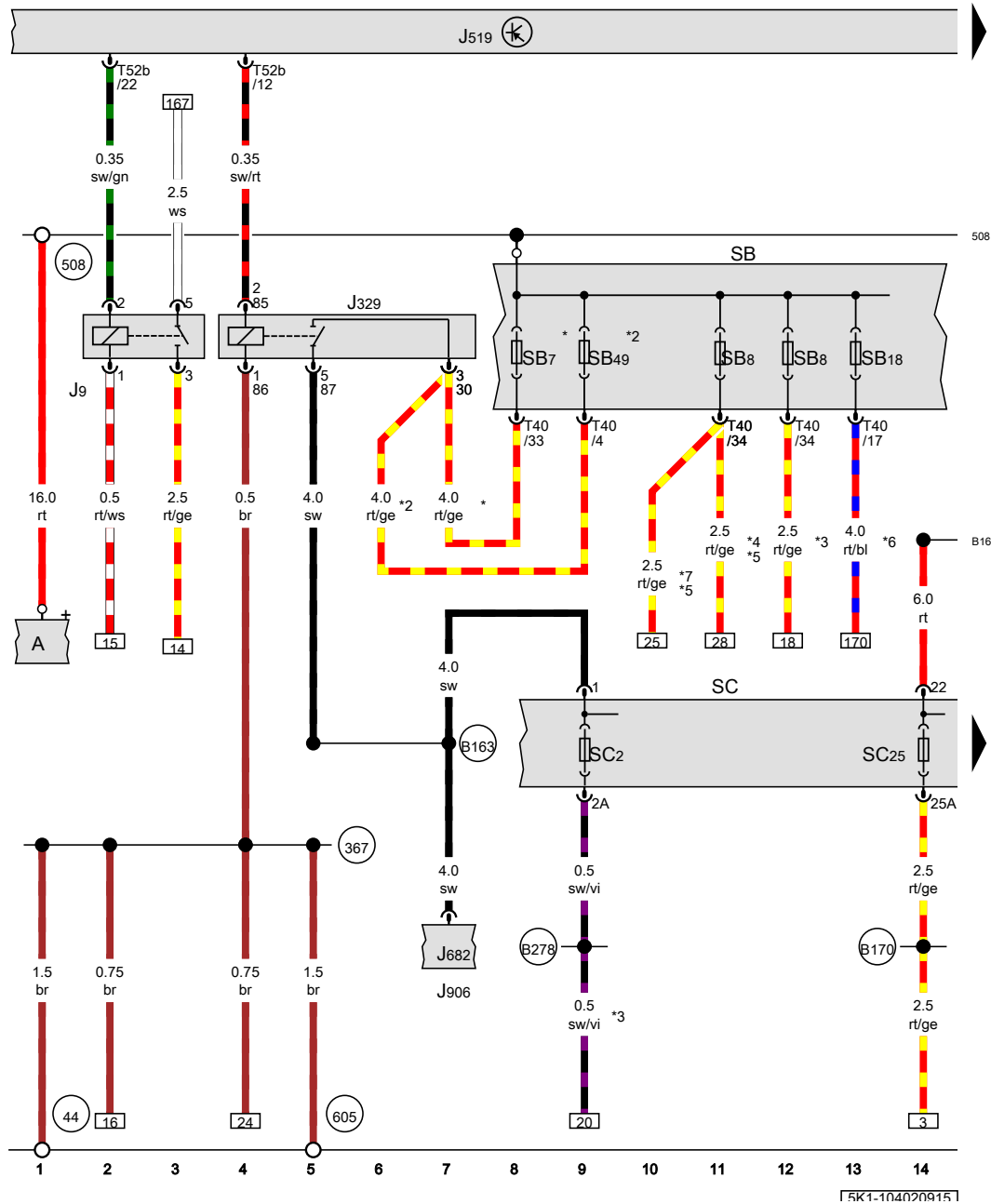
- ws = white
- sw = black
- ro = red
- rt = red
- br = brown
- gn = green
- bl = blue
- gr = grey
- li = lilac
- vi = lilac
- ge = yellow
- or = orange
- rs = pink



## Radio navigation system

from November 2010

Rear window defogger relay, Terminal 15 power supply relay, Fuse panel B, Fuse panel C



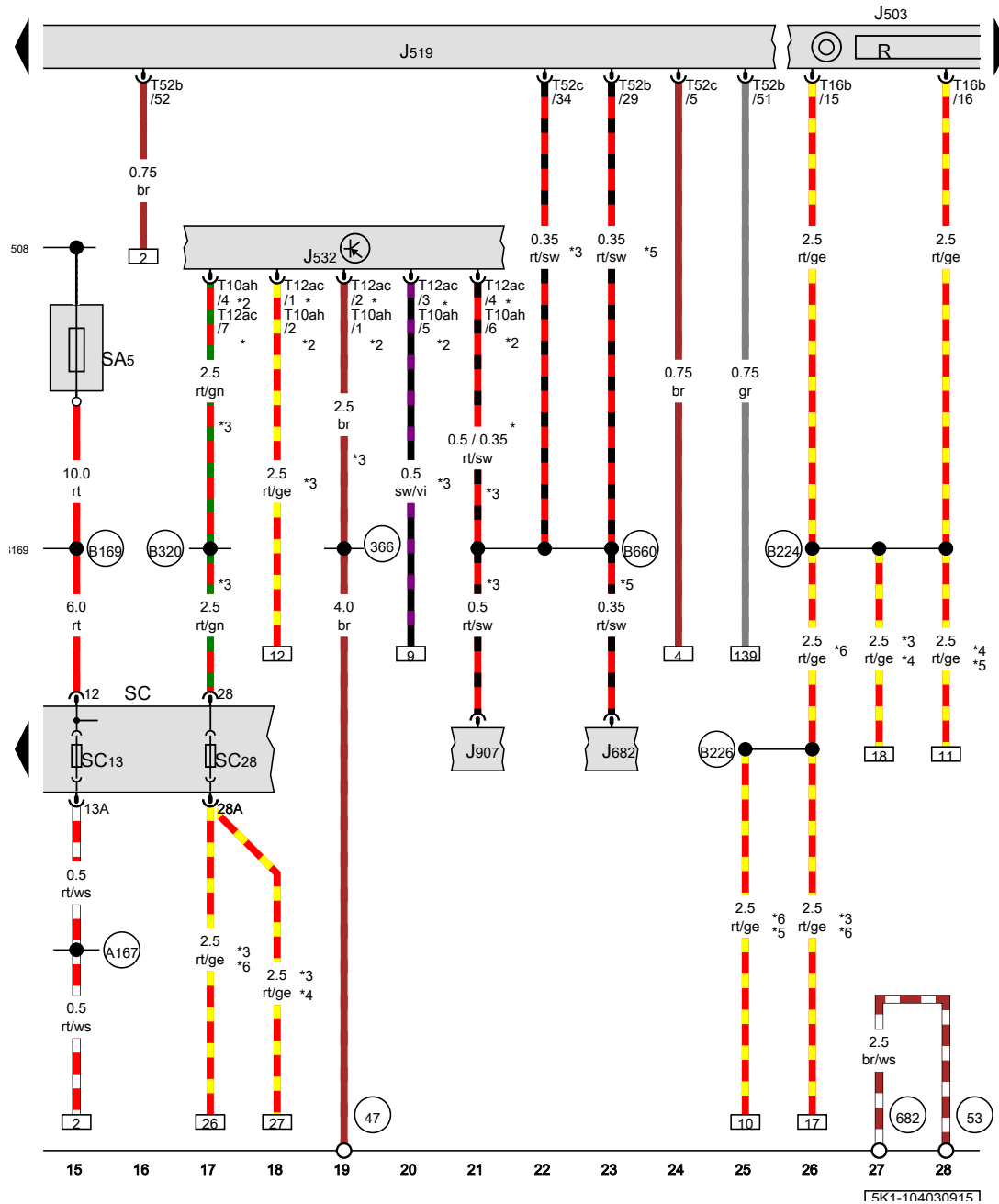
- A Battery
- J9 Rear window defogger relay
- J329 Terminal 15 power supply relay
- J519 Vehicle electrical control module system
- J682 Terminal 50 power supply relay
- J906 Starter relay 1
- SB Fuse panel B
- SC2 Fuse 2 (on fuse panel C)
- SB7 Fuse 7 (on fuse panel B)
- SB8 Fuse 8 (on fuse panel B)
- SB18 Fuse 18 (on fuse panel B)
- SC25 Fuse 25 (on fuse panel C)
- SB49 Fuse 49 (on fuse panel B)
- SC Fuse panel C
- T40 40-pin connector
- T52b 52-pin connector

- 44 Ground connection on A-pillar, lower left
- 367 Ground connection 2 (in main wiring harness)
- 508 Terminal 30 threaded connection (on E-box)
- 605 Ground connection on upper steering column
- B163 Positive connection 1 (15) (in interior wiring harness)
- B169 Positive connection 1 (30) (in interior wiring harness)
- B170 Positive connection 2 (30) (in interior wiring harness)
- B278 Positive connection 2 (15a) (in main wiring harness)

- ws = white
- sw = black
- ro = red
- rt = red
- br = brown
- gn = green
- bl = blue
- gr = grey
- li = lilac
- vi = lilac
- ge = yellow
- or = orange
- rs = pink

- \* E-Box low
- \*2 E-Box high
- \*3 Only for vehicles with Start/Stop system
- \*4 Through October 2011
- \*5 Only for vehicles without Start/Stop system
- \*6 Only for vehicles with an amplifier
- \*7 from November 2011

1FK1-1040209151



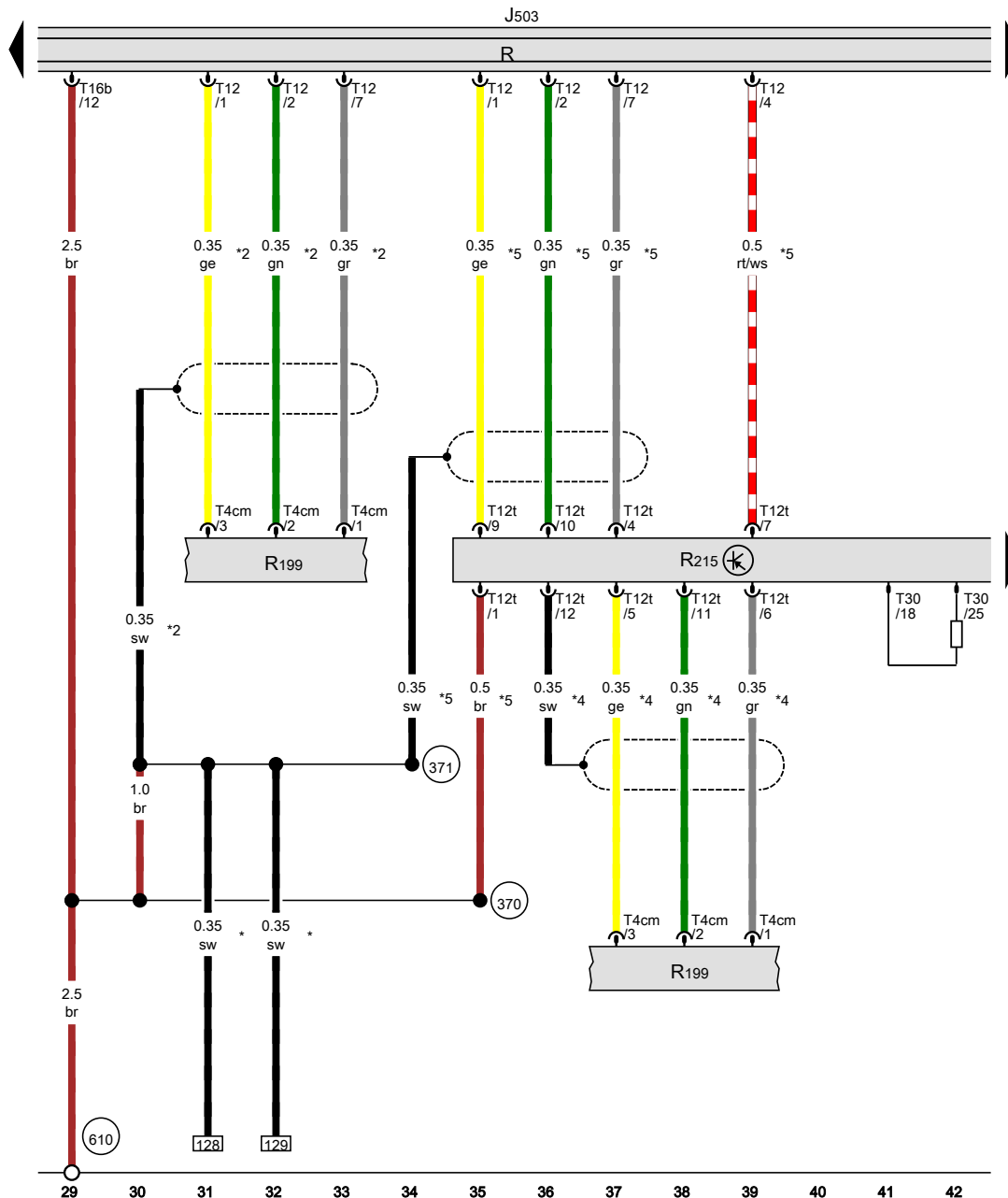
Radio/navigation display unit control module, Voltage stabilizer, Radio, Fuse 5 (on fuse panel A), Fuse panel C

- J503 Radio/navigation display unit control module
  - J519 Vehicle electrical control module system
  - J532 Voltage stabilizer
  - J682 Terminal 50 power supply relay
  - J907 Starter relay 2
  - R Radio
  - SA5 Fuse 5 (on fuse panel A)
  - SC Fuse panel C
  - SC13 Fuse 13 (on fuse panel C)
  - SC28 Fuse 28 (on fuse panel C)
  - T10ah 10-pin connector
  - T12ac 12-pin connector
  - T16b 16-pin connector
  - T52b 52-pin connector
  - T52c 52-pin connector
- 47 Ground connection in right front footwell
  - 53 Ground connection in rear lid, right
  - 366 Ground connection 1 (in main wiring harness)
  - 508 Terminal 30 threaded connection (on E-box)
  - 682 Ground connection 2 in right rear side panel
  - A167 Positive connection 3 (30a) (in instrument panel wiring harness)
  - B169 Positive connection 1 (30) (in interior wiring harness)
  - B224 Radio connection 1 (in interior wiring harness)
  - B226 Radio connection 3 (in interior wiring harness)
  - B320 Positive connection 6 (30a) (in main wiring harness)
  - B660 Diagnostic terminal 50 connection (in main wiring harness)
- \* from May 2011
  - \*2 through April 2011
  - \*3 Only for vehicles with Start/Stop system
  - \*4 Through October 2011

ws = white

sw = black  
ro = red  
rt = red  
br = brown  
gn = green  
bl = blue  
gr = grey  
li = lilac  
vi = lilac  
ge = yellow  
or = orange  
rs = pink

\*5 Only for vehicles without Start/Stop system  
\*6 from November 2011



Radio/navigation display unit control module, Radio, External audio source connection, External multimedia device interface

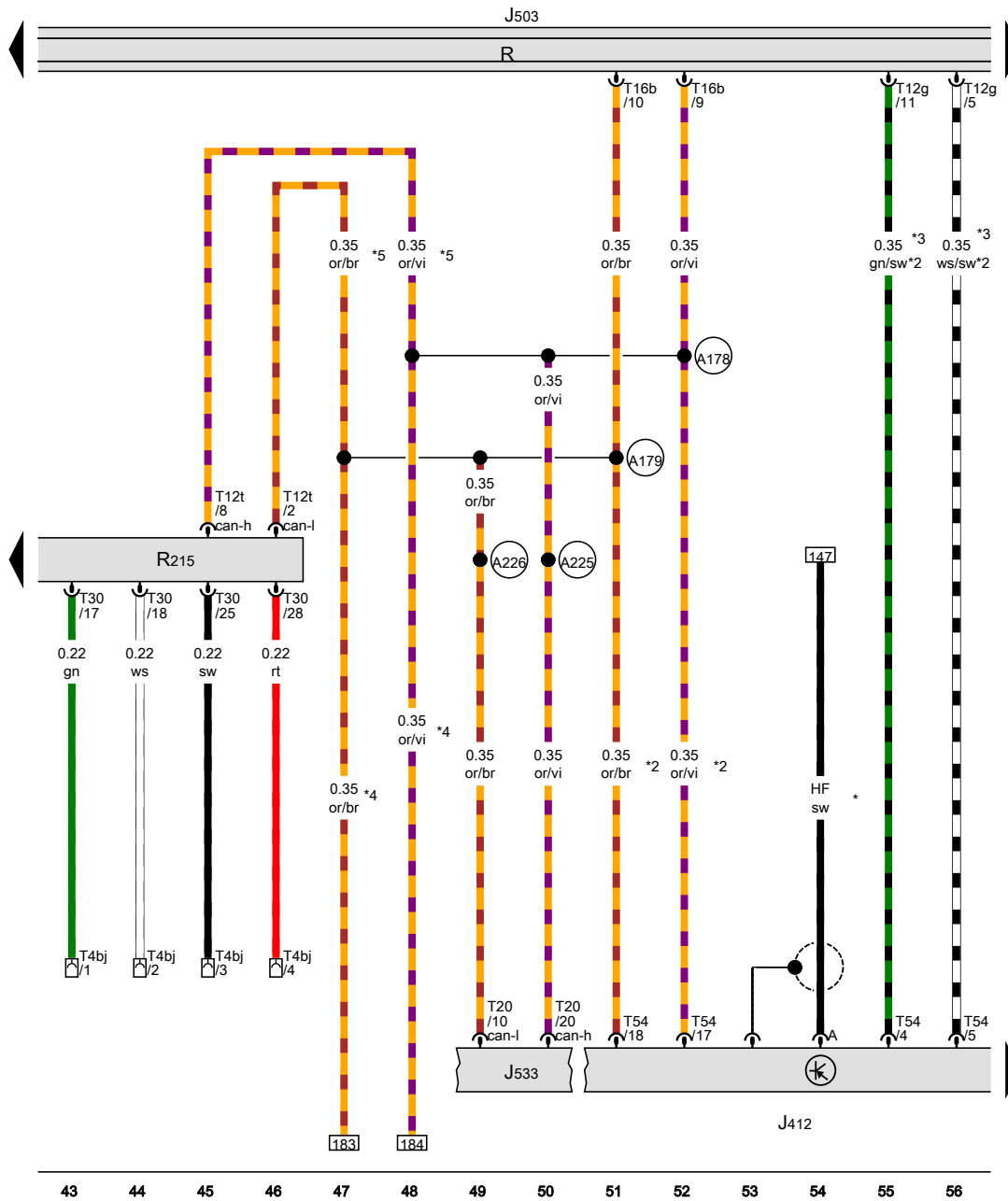
- J503 Radio/navigation display unit control module
- R Radio
- R199 External audio source connection
- R215 External multimedia device interface
- T4cm 4-pin connector
- T12 12-pin connector
- T12t 12-pin connector
- T16b 16-pin connector

- 370 Ground connection 5 (in main wiring harness)
- 371 Ground connection 6 (in main wiring harness)
- 610 Audio ground connection under front center console

- \* Only for vehicles with CD changer
- \*2 Only for vehicles with external audio source connection without electrical interface
- \*3 Only for vehicles with auxiliary coolant heater
- \*4 Only for vehicles with multimedia socket for external audio sources
- \*5 Only for vehicles with external multimedia device connection with electrical interface

- ws = white
- sw = black
- ro = red
- rt = red
- br = brown
- gn = green
- bl = blue
- gr = grey
- li = lilac
- vi = lilac
- ge = yellow
- or = orange
- rs = pink

15K1-1040915

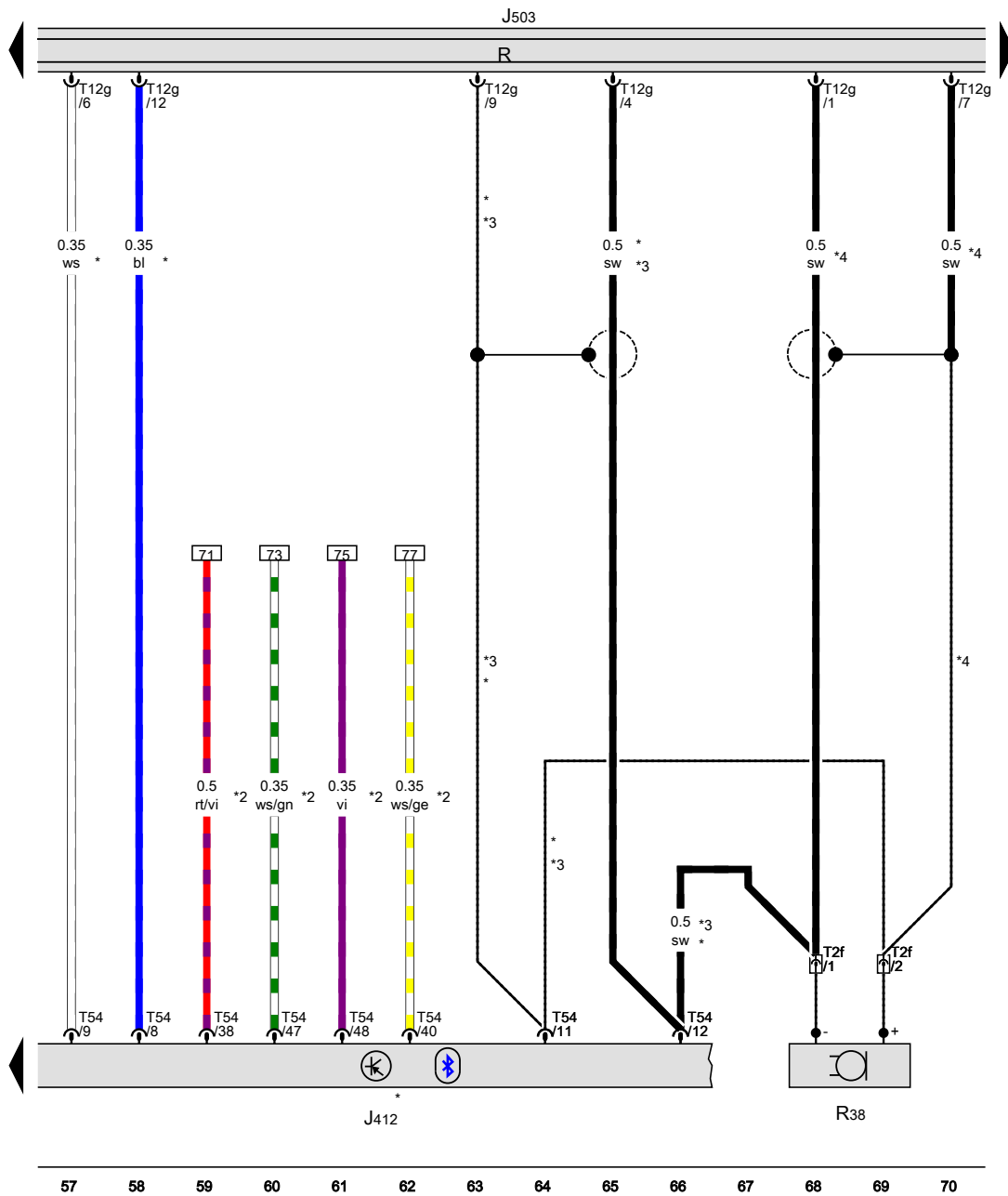


**Cell phone operating electronics control module, Radio/navigation display unit control module, Data bus on board diagnostic interface, Radio, External multimedia device interface**

- J412 Cell phone operating electronics control module, in the engine compartment, right, in the right front footwell
- J503 Radio/navigation display unit control module
- J533 Data bus on board diagnostic interface, in the left footwell, near the center console
- R Radio
- R215 External multimedia device interface
- T4bj 4-pin connector, in the front center armrest, USB connection
- T12g 12-pin connector
- T12t 12-pin connector
- T16b 16-pin connector
- T20 20-pin connector
- T30 30-pin connector
- T54 54-pin connector
- (A178) Infotainment CAN bus high connection (in instrument panel wiring harness)
- (A179) Infotainment CAN bus low connection (in instrument panel wiring harness)
- (A225) Infotainment CAN bus high connection 2 (in instrument panel wiring harness)
- (A226) Infotainment CAN bus low connection 2 (in instrument panel wiring harness)
- \* Only for vehicles with telephone charging station and cell phone operating electronics control module
- \*2 Only for vehicles with a cell phone/telephone
- \*3 Depending on equipment
- \*4 Only for vehicles with an amplifier
- \*5 Only for vehicles with external multimedia device connection with electrical interface

- ws = white
- ro = red
- rt = red
- br = brown
- gn = green
- bl = blue
- gr = grey
- li = lilac
- vi = lilac
- ge = yellow
- or = orange
- rs = pink

15K1-104050915

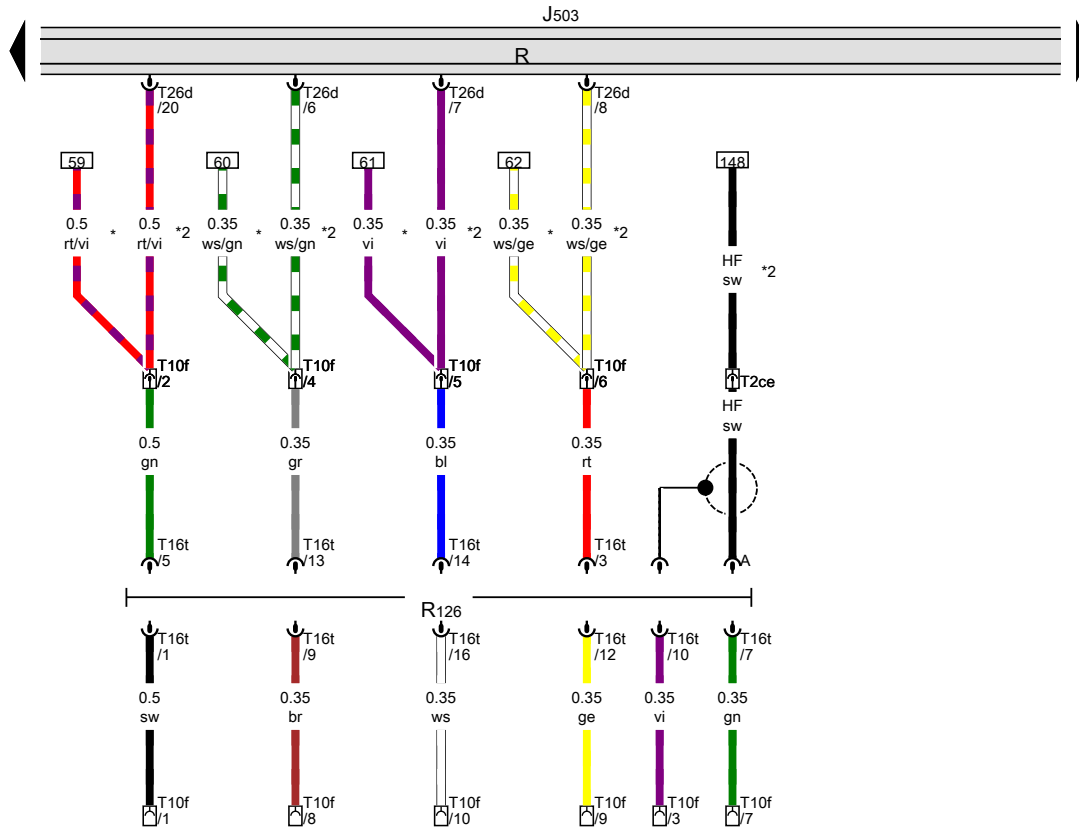


Cell phone operating electronics control module, Radio/navigation display unit control module, Radio, Telephone microphone

- J412 Cell phone operating electronics control module, in the engine compartment, right, in the right front footwell
- J503 Radio/navigation display unit control module
- R Radio
- R38 Telephone microphone
- T2f 2-pin connector, near the front interior lamp
- T12g 12-pin connector
- T54 54-pin connector
- \* Only for vehicles with with a cell phone/telephone
- \*2 Only for vehicles with telephone charging station and cell phone operating electronics control module
- \*3 Only for vehicles with a speech recognition system
- \*4 Only for vehicles without telephone/cell phone prep

- ws = white
- sw = black
- ro = red
- rt = red
- br = brown
- gn = green
- bl = blue
- gr = grey
- li = lilac
- vi = lilac
- ge = yellow
- or = orange
- rs = pink

15K1-1040609151

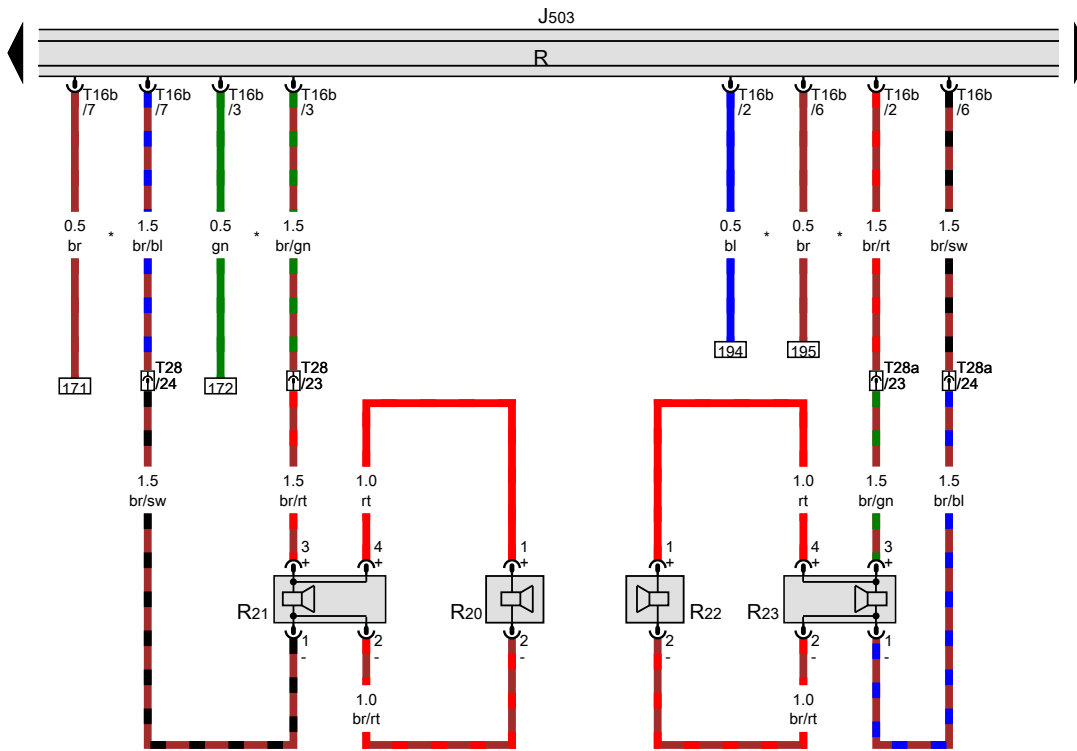


Radio/navigation display unit control module, Radio, Telephone baseplate

- J503 Radio/navigation display unit control module
- R Radio
- R126 Telephone baseplate
- T2ce 2-pin connector, behind the glove compartment
- T10f 10-pin connector, behind the glove compartment
- T16t 16-pin connector
- T26d 26-pin connector
- \* Only for vehicles with telephone charging station and cell phone operating electronics control module
- \*2 Only for vehicles with telephone charging station

- ws = white
- sw = black
- ro = red
- rt = red
- br = brown
- gn = green
- bl = blue
- gr = grey
- li = lilac
- vi = lilac
- ge = yellow
- or = orange
- rs = pink





Radio/navigation display unit control module, Radio, Left front treble speaker, Left front bass speaker, Right front treble speaker, Right front bass speaker

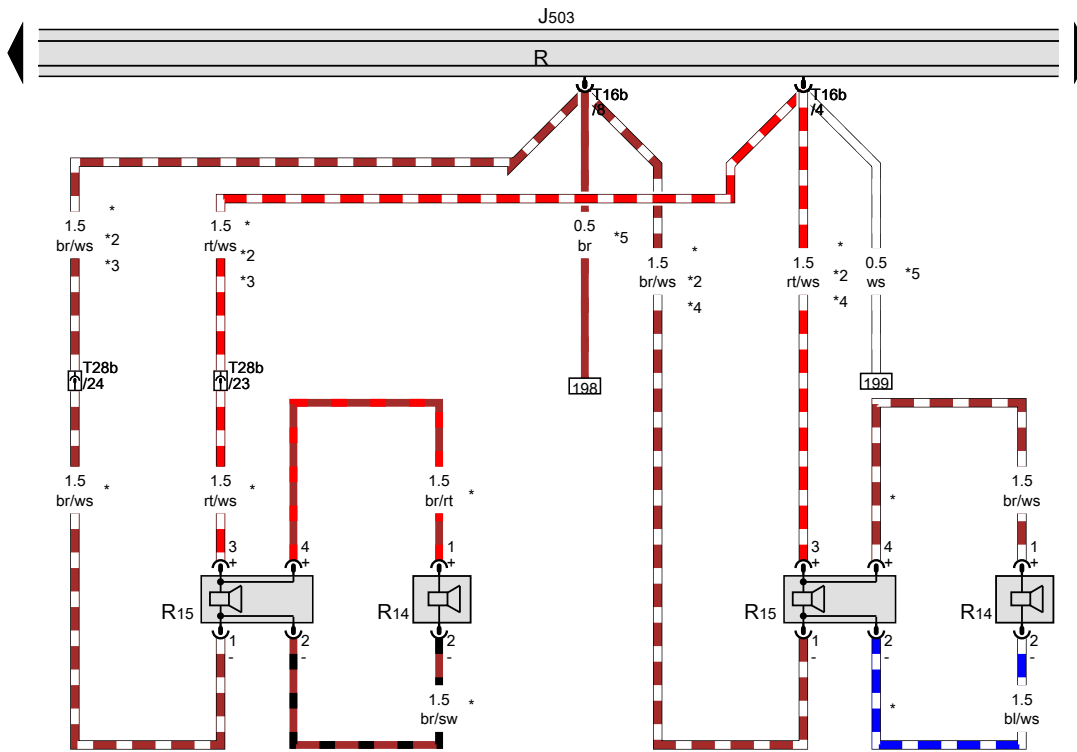
- J503 Radio/navigation display unit control module
- R Radio
- R20 Left front treble speaker
- R21 Left front bass speaker
- R22 Right front treble speaker
- R23 Right front bass speaker
- T16b 16-pin connector
- T28 28-pin connector, in the left A-pillar connector station
- T28a 28-pin connector, in the connector station, right A-pillar
- \* Only for vehicles with an amplifier

- ws = white
- sw = black
- ro = red
- rt = red
- br = brown
- gn = green
- bl = blue
- gr = grey
- li = lilac
- vi = lilac
- ge = yellow
- or = orange
- rs = pink

85 86 87 88 89 90 91 92 93 94 95 96 97 98

15K1-104080915

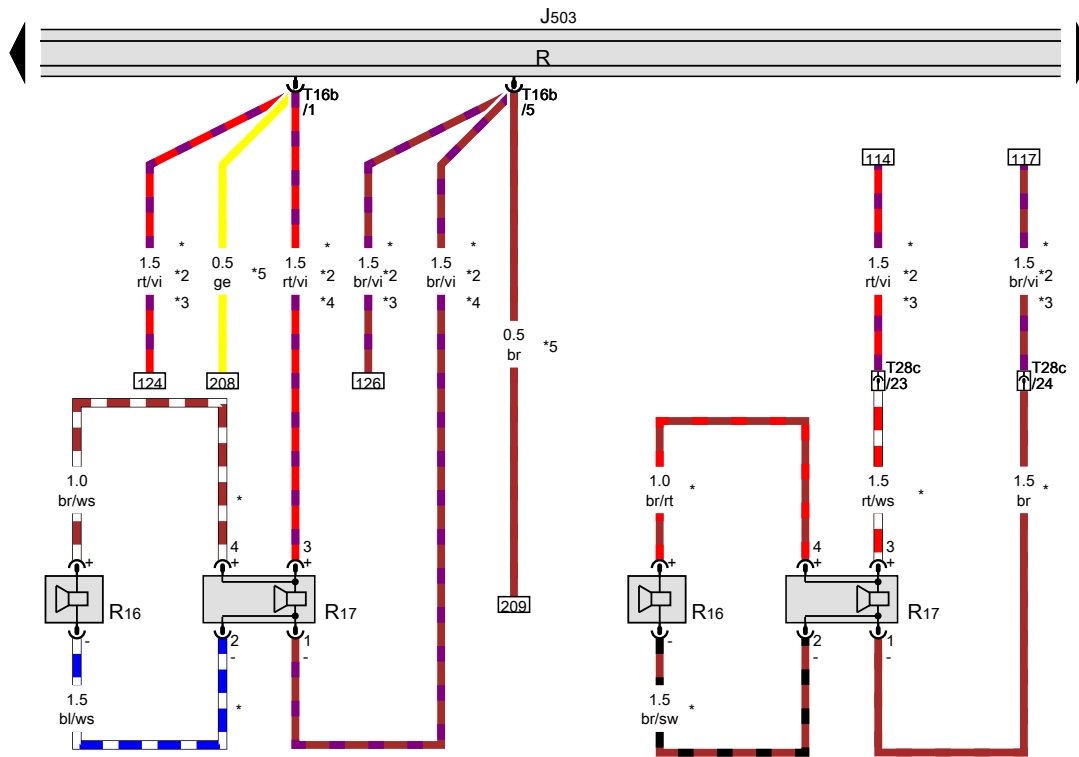
Radio/navigation display unit control module, Radio, Left rear treble speaker, Left rear bass speaker



- J503 Radio/navigation display unit control module
- R Radio
- R14 Left rear treble speaker
- R15 Left rear bass speaker
- T16b 16-pin connector
- T28b 28-pin connector, behind the lower left B-pillar trim
- \* Only for vehicles with a rear speaker
- \*2 Only for vehicles with passive speakers
- \*3 Only for vehicles with 4 doors
- \*4 Only for vehicles with 2-door equipment
- \*5 Only for vehicles with an amplifier

- ws = white
- sw = black
- ro = red
- rt = red
- br = brown
- gn = green
- bl = blue
- gr = grey
- li = lilac
- vi = lilac
- ge = yellow
- or = orange
- rs = pink

Radio/navigation display unit control module, Radio, Right rear treble speaker, Right rear bass speaker



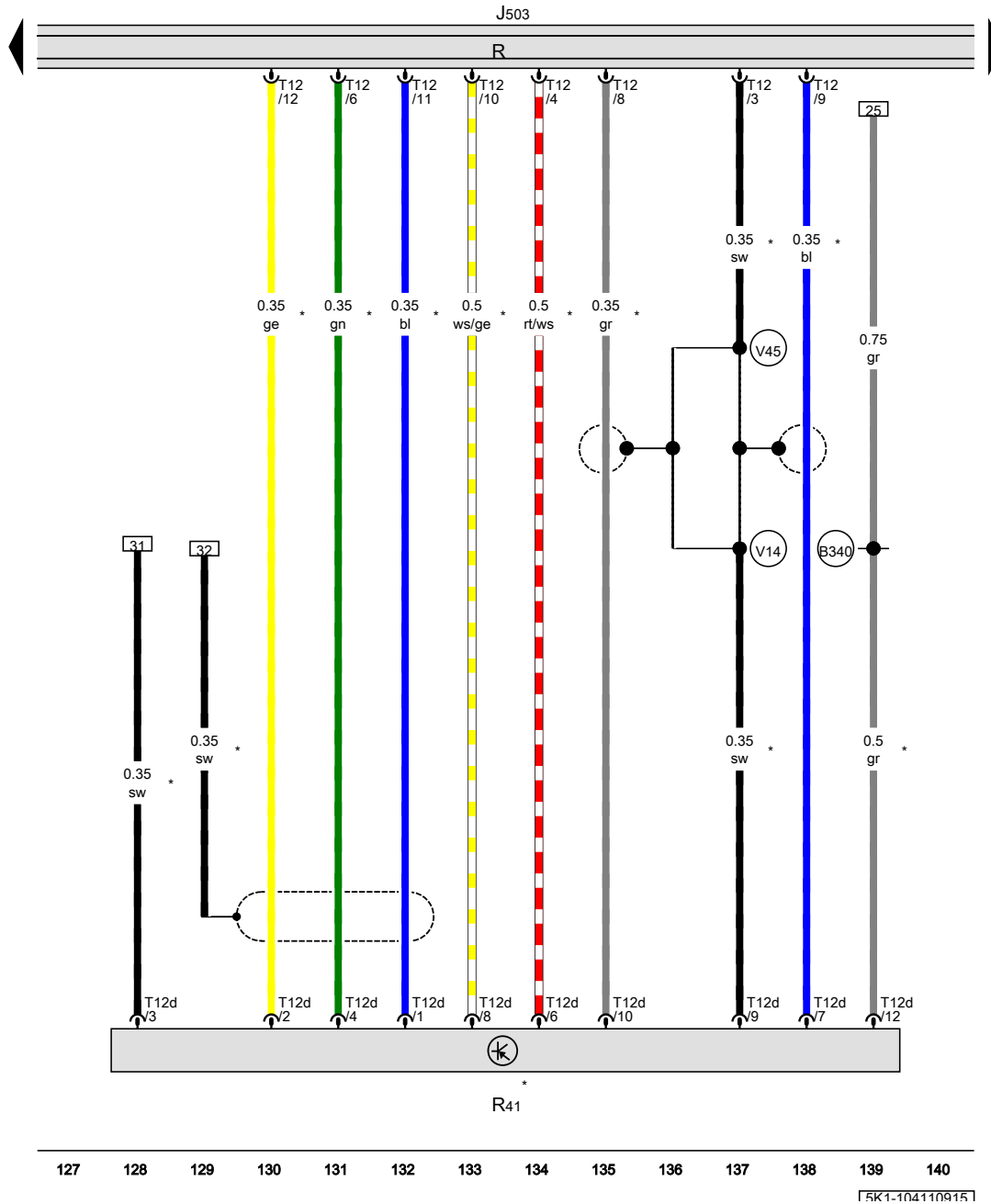
- J503 Radio/navigation display unit control module
- R Radio
- R16 Right rear treble speaker
- R17 Right rear bass speaker
- T16b 16-pin connector
- T28c 28-pin connector, behind the lower right B-pillar trim
- \* Only for vehicles with a rear speaker
- \*2 Only for vehicles with passive speakers
- \*3 Only for vehicles with 4 doors
- \*4 Only for vehicles with 2-door equipment
- \*5 Only for vehicles with an amplifier

- ws = white
- sw = black
- ro = red
- rt = red
- br = brown
- gn = green
- bl = blue
- gr = grey
- li = lilac
- vi = lilac
- ge = yellow
- or = orange
- rs = pink

113 114 115 116 117 118 119 120 121 122 123 124 125 126

15K1-104100915

Radio/navigation display unit control module, Radio, CD changer

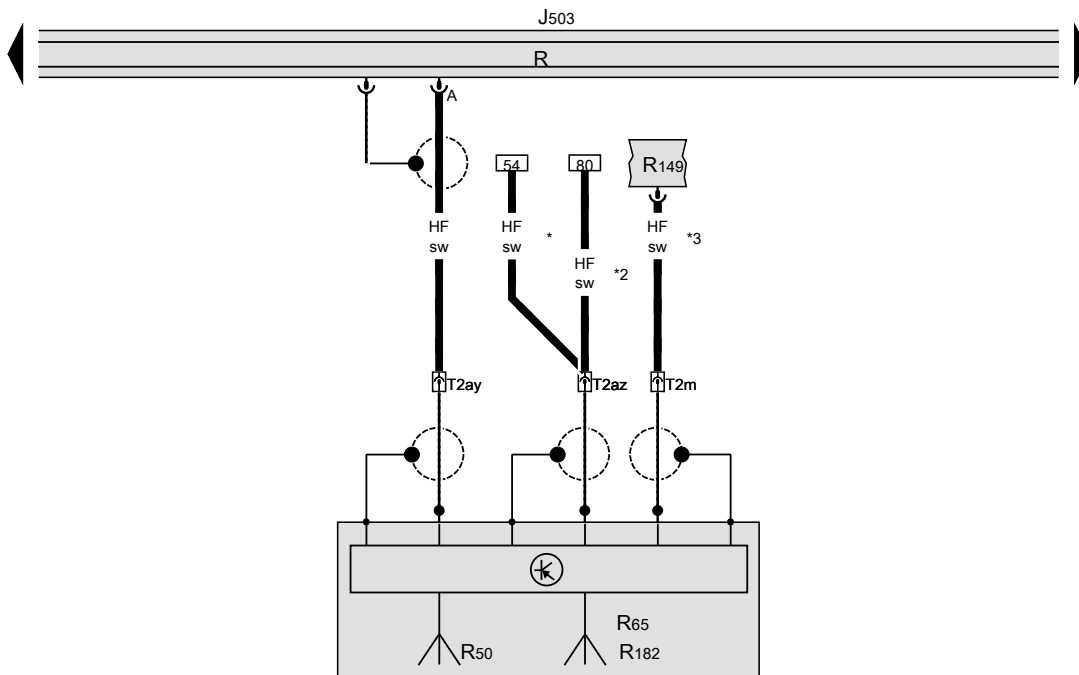


- J503 Radio/navigation display unit control module
- R Radio
- R41 CD changer
- T12 12-pin connector
- T12d 12-pin connector
- B340 Connection 58d (in main wiring harness) 1
- V14 Shielding connection (in CD changer wiring harness)
- V45 Shielding connection 2 (in CD changer wiring harness)
- \* Only for vehicles with CD changer

- ws = white
- sw = black
- ro = red
- rt = red
- br = brown
- gn = green
- bl = blue
- gr = grey
- li = lilac
- vi = lilac
- ge = yellow
- or = orange
- rs = pink

127 128 129 130 131 132 133 134 135 136 137 138 139 140

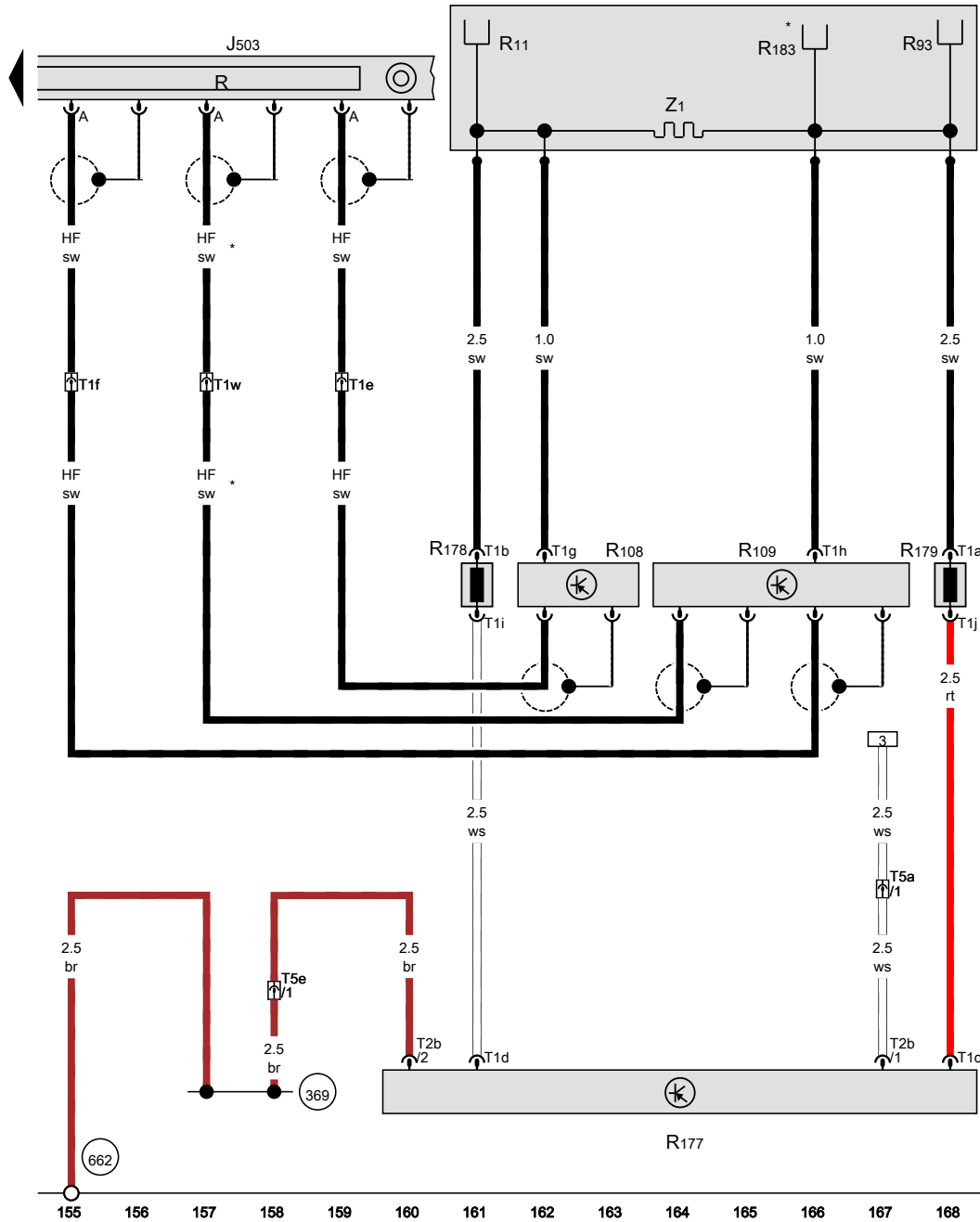
15K1-104110915



**Radio/navigation display unit control module, Radio, GPS antenna, Telephone antenna, Auxiliary coolant heater radio frequency receiver, Auxiliary heater antenna**

- J503 Radio/navigation display unit control module
- R Radio
- R50 GPS antenna
- R65 Telephone antenna
- R149 Auxiliary coolant heater radio frequency receiver
- R182 Auxiliary heater antenna
- T2ay 2-pin connector, near the roof antenna
- T2az 2-pin connector, near the roof antenna
- T2m 2-pin connector, near the roof antenna
- \* Only for vehicles with telephone charging station and cell phone operating electronics control module
- \*2 Only for vehicles with telephone charging station
- \*3 Only for vehicles with auxiliary coolant heater

- ws = white
- sw = black
- ro = red
- rt = red
- br = brown
- gn = green
- bl = blue
- gr = grey
- li = lilac
- vi = lilac
- ge = yellow
- or = orange
- rs = pink



Radio/navigation display unit control module, Radio, Antenna, Left antenna module, Right antenna module, FM frequency filter in negative wire, FM frequency filter in positive wire, Rear window defogger

- J503 Radio/navigation display unit control module
- R Radio
- R11 Antenna
- R93 Radio antenna 2
- R108 Left antenna module
- R109 Right antenna module
- R177 AM frequency filter, in the rear lid
- R178 FM frequency filter in negative wire, in the rear lid
- R179 FM frequency filter in positive wire, in the rear lid
- R183 Digital radio antenna
- T1a 1-pin connector
- T1b 1-pin connector
- T1c 1-pin connector
- T1d 1-pin connector
- T1e 1-pin connector, behind the right C-pillar trim panel
- T1f 1-pin connector, behind the right C-pillar trim panel
- T1g 1-pin connector
- T1h 1-pin connector
- T1i 1-pin connector
- T1j 1-pin connector
- T1w 1-pin connector, behind the right C-pillar trim panel
- T2b 2-pin connector
- T5a 5-pin connector, in the left rear side panel
- T5e 5-pin connector, in the left rear side panel
- Z1 Rear window defogger

369 Ground connection 4 (in main wiring harness)

662 Ground connection in left rear side panel

\* Only for vehicles with a digital radio

- ws = white
- sw = black
- ro = red
- rt = red
- br = brown
- gn = green
- bl = blue
- gr = grey
- li = lilac
- vi = lilac
- ge = yellow
- or = orange
- rs = pink

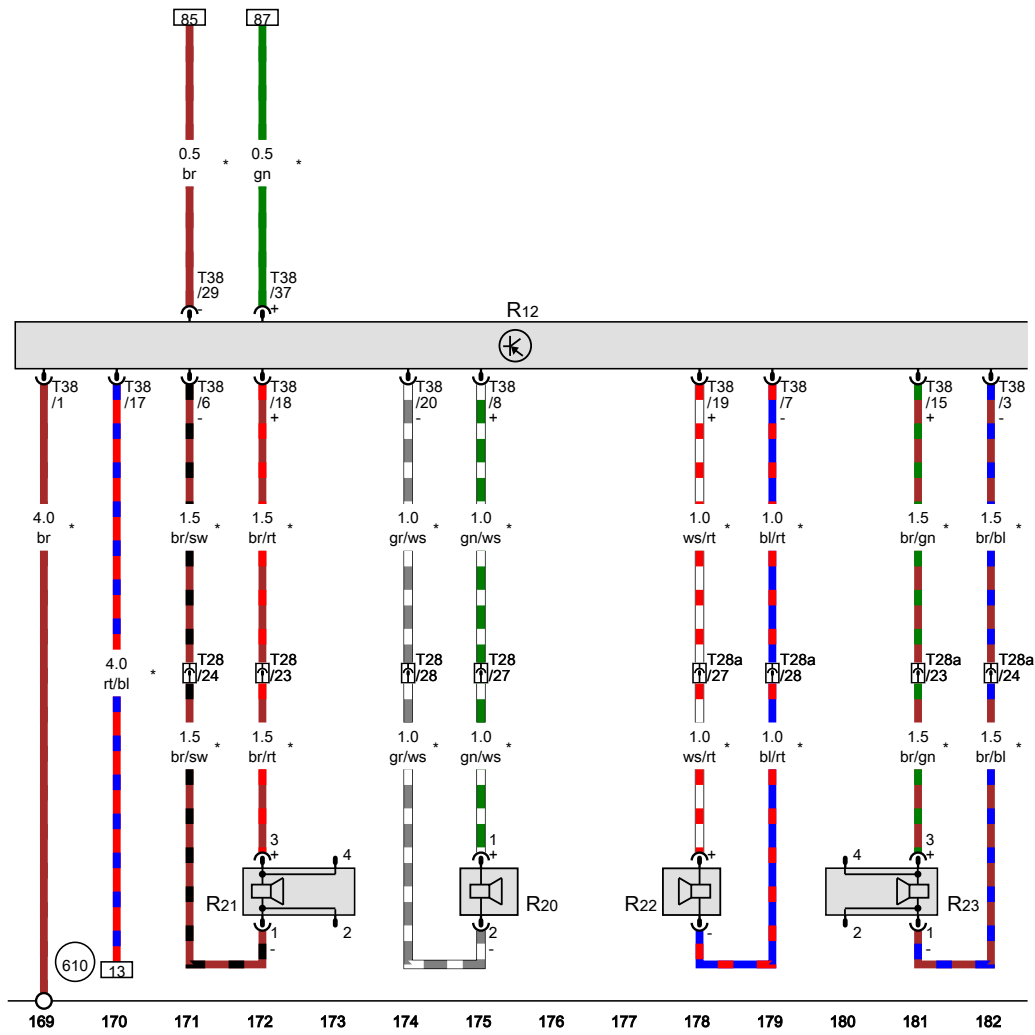
15K1-104130915

**Amplifier, Left front treble speaker, Left front bass speaker, Right front treble speaker, Right front bass speaker**

- R12 Amplifier, under the driver seat
- R20 Left front treble speaker
- R21 Left front bass speaker
- R22 Right front treble speaker
- R23 Right front bass speaker
- T28 28-pin connector, in the left A-pillar connector station
- T28a 28-pin connector, in the connector station, right A-pillar
- T38 38-pin connector

610 Audio ground connection under front center console

\* Only for vehicles with an amplifier

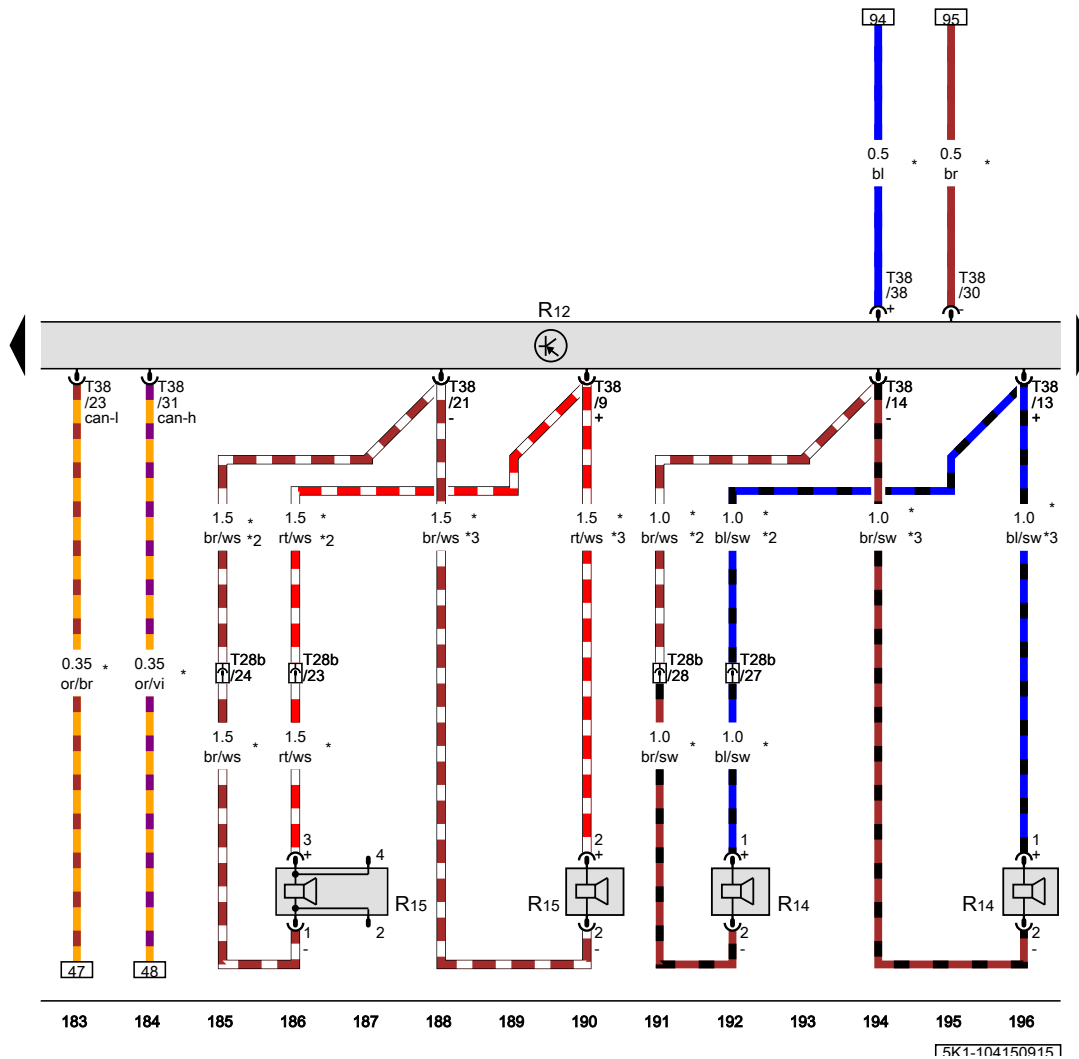


- ws = white
- sw = black
- ro = red
- rt = red
- br = brown
- gn = green
- bl = blue
- gr = grey
- li = lilac
- vi = lilac
- ge = yellow
- or = orange
- rs = pink

15K1-104140915

Amplifier, Left rear treble speaker, Left rear bass speaker

- R12 Amplifier, under the driver seat
- R14 Left rear treble speaker
- R15 Left rear bass speaker
- T28b 28-pin connector, behind the lower left B-pillar trim
- T38 38-pin connector
- \* Only for vehicles with an amplifier
- \*2 Only for vehicles with 4 doors
- \*3 Only for vehicles with 2-door equipment



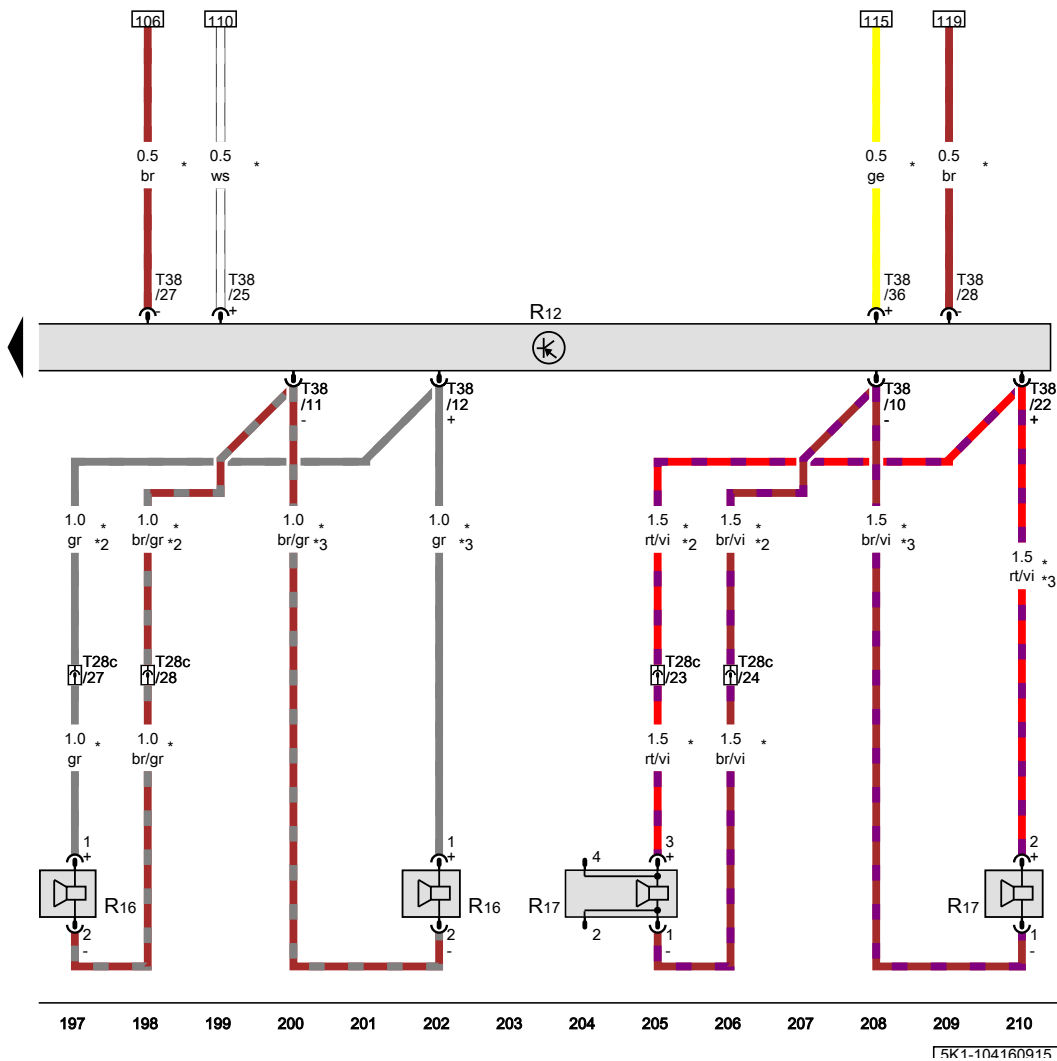
- ws = white
- sw = black
- ro = red
- rt = red
- br = brown
- gn = green
- bl = blue
- gr = grey
- li = lilac
- vi = lilac
- ge = yellow
- or = orange
- rs = pink

15K1-104150915



Amplifier, Right rear treble speaker, Right rear bass speaker

- R12 Amplifier, under the driver seat
- R16 Right rear treble speaker
- R17 Right rear bass speaker
- T28c 28-pin connector, behind the lower right B-pillar trim
- T38 38-pin connector
- \* Only for vehicles with an amplifier
- \*2 Only for vehicles with 4 doors
- \*3 Only for vehicles with 2-door equipment

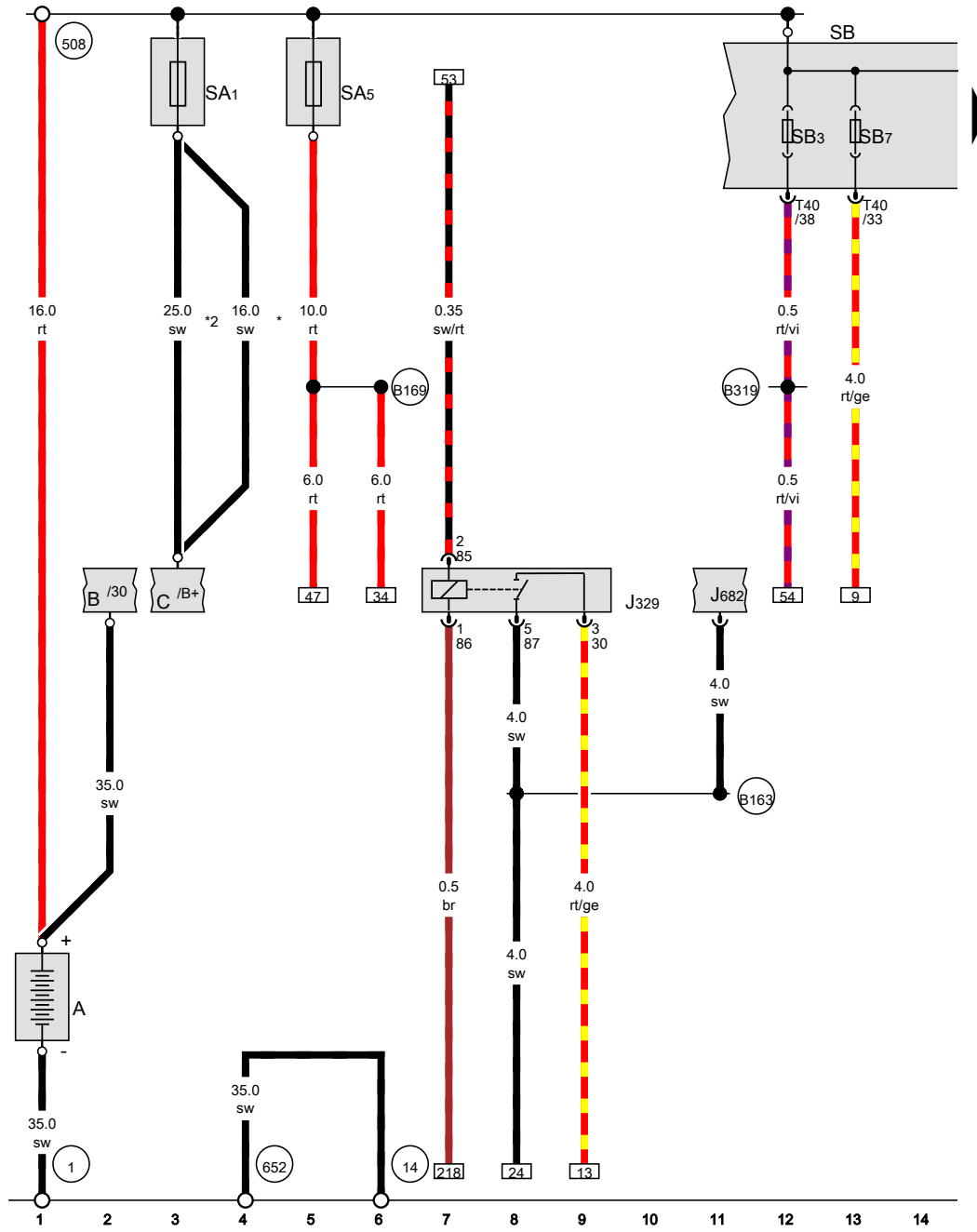


- ws = white
- sw = black
- ro = red
- rt = red
- br = brown
- gn = green
- bl = blue
- gr = grey
- li = lilac
- vi = lilac
- ge = yellow
- or = orange
- rs = pink

15K1-104160915

**Standard equipment (NAR)**

from May 2011



Battery, Terminal 15 power supply relay, Fuse 1 (on fuse panel A), Fuse 5 (on fuse panel A), Fuse panel B

- A Battery
- B Starter
- C Generator
- J329 Terminal 15 power supply relay
- J682 Terminal 50 power supply relay
- SA1 Fuse 1 (on fuse panel A)
- SA5 Fuse 5 (on fuse panel A)
- SB Fuse panel B
- SB7 Fuse 7 (on fuse panel B)
- T40 40-pin connector

- 1 Ground strap, battery to body
- 14 Ground connection on transmission
- 508 Terminal 30 threaded connection (on E-box)
- 652 Transmission/engine ground connection
- B163 Positive connection 1 (15) (in interior wiring harness)
- B169 Positive connection 1 (30) (in interior wiring harness)
- B319 Positive connection 5 (30a) (in main wiring harness)
- \* Only for vehicles with 90 A/120 A generator
- \*2 Only for vehicles with a generator (140 A)

- ws = white
- sw = black
- ro = red
- rt = red
- br = brown
- gn = green
- bl = blue
- gr = grey
- li = lilac
- vi = lilac
- ge = yellow
- or = orange
- rs = pink

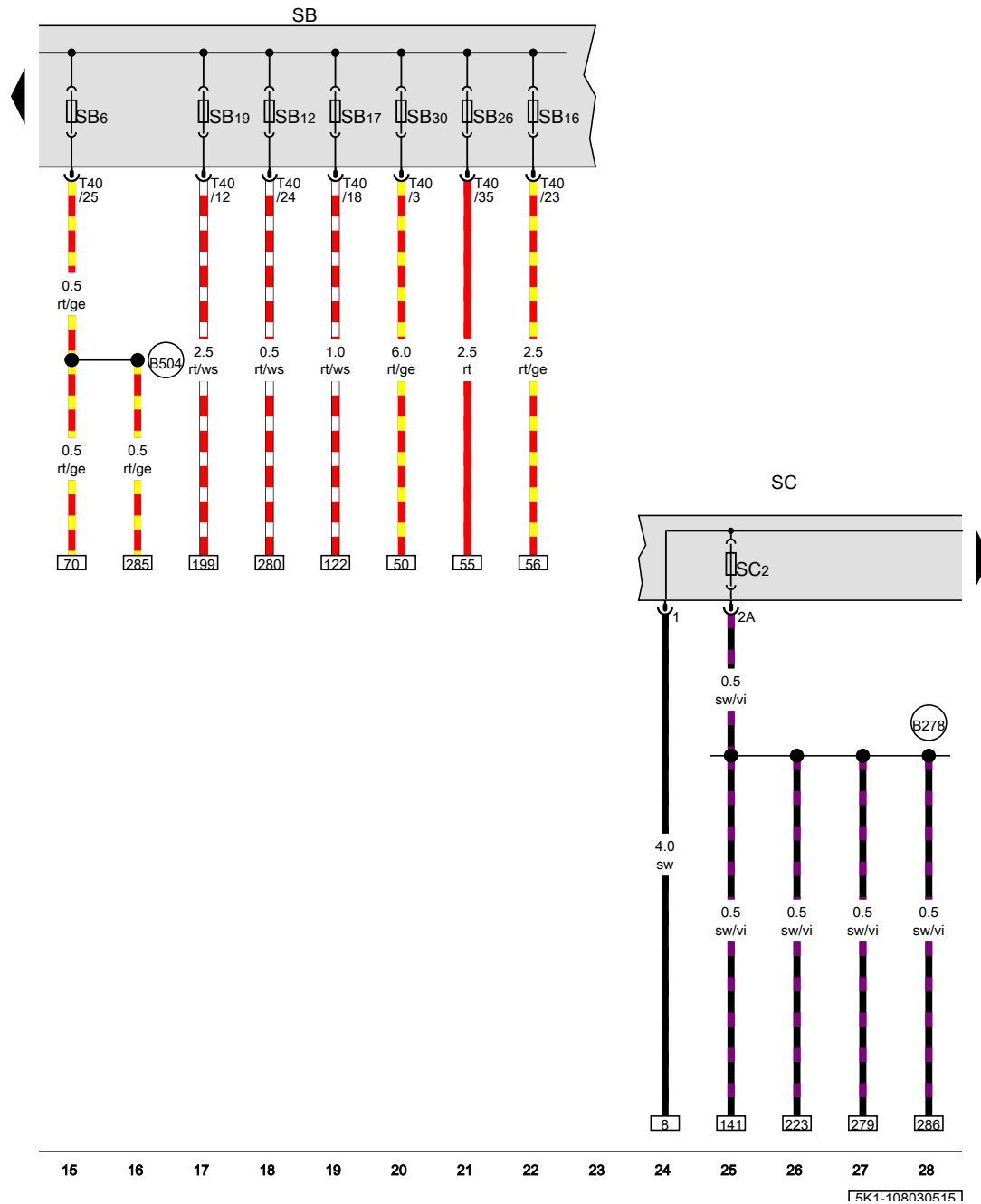
Г5К1-108020515

Fuse panel B, Fuse panel C

- SB Fuse panel B
- SC2 Fuse 2 (on fuse panel C)
- SB6 Fuse 6 (on fuse panel B)
- SB12 Fuse 12 (on fuse panel B)
- SB16 Fuse 16 (on fuse panel B)
- SB17 Fuse 17 (on fuse panel B)
- SB19 Fuse 19 (on fuse panel B)
- SB26 Fuse 26 (on fuse panel B)
- SB30 Fuse 30 (on fuse panel B)
- SC Fuse panel C
- T40 40-pin connector

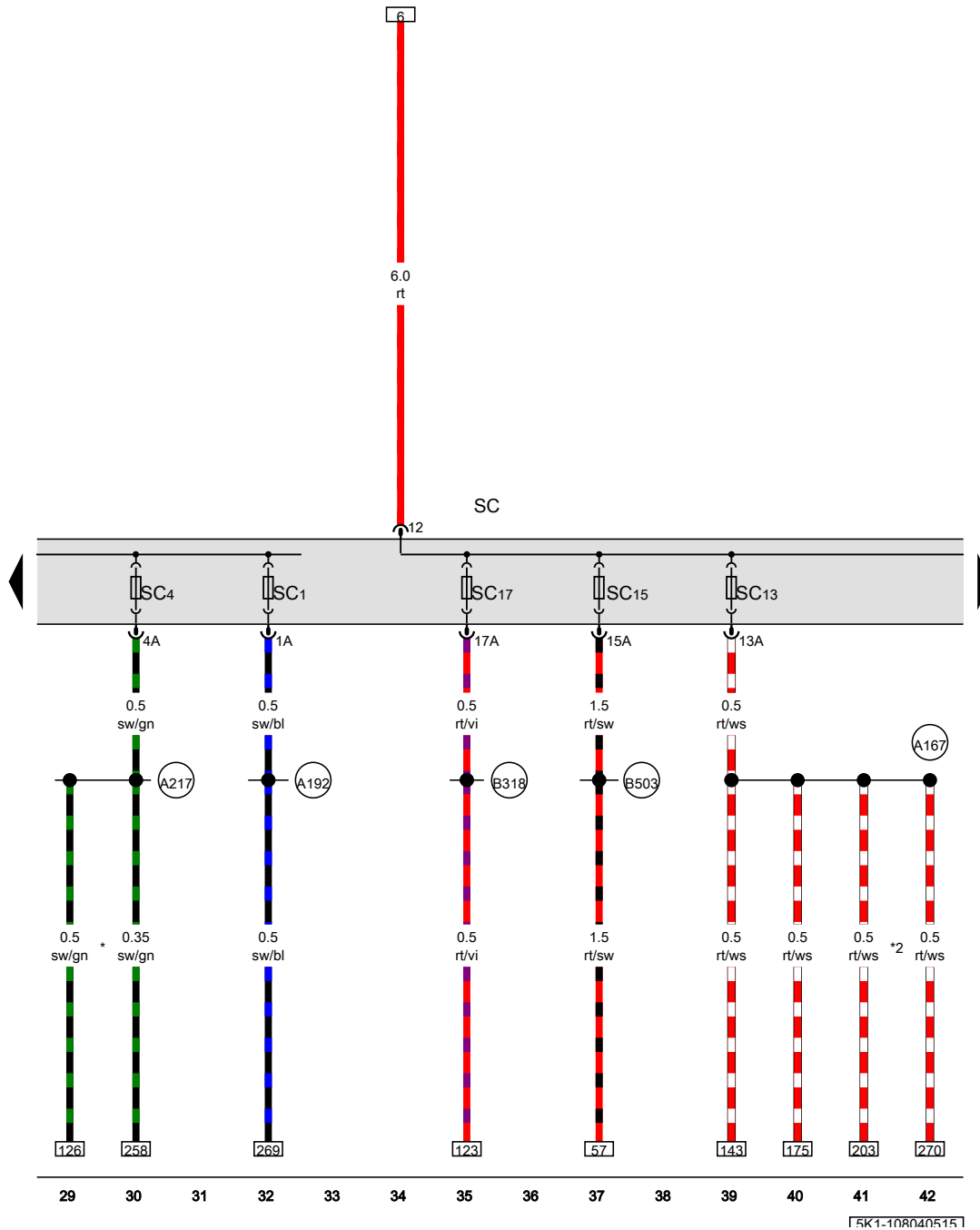
(B278) Positive connection 2 (15a) (in main wiring harness)

(B504) Positive connection 8 (30a) (in interior wiring harness)



- ws = white
- sw = black
- ro = red
- rt = red
- br = brown
- gn = green
- bl = blue
- gr = grey
- li = lilac
- vi = lilac
- ge = yellow
- or = orange
- rs = pink

15K1-108030515



Fuse panel C

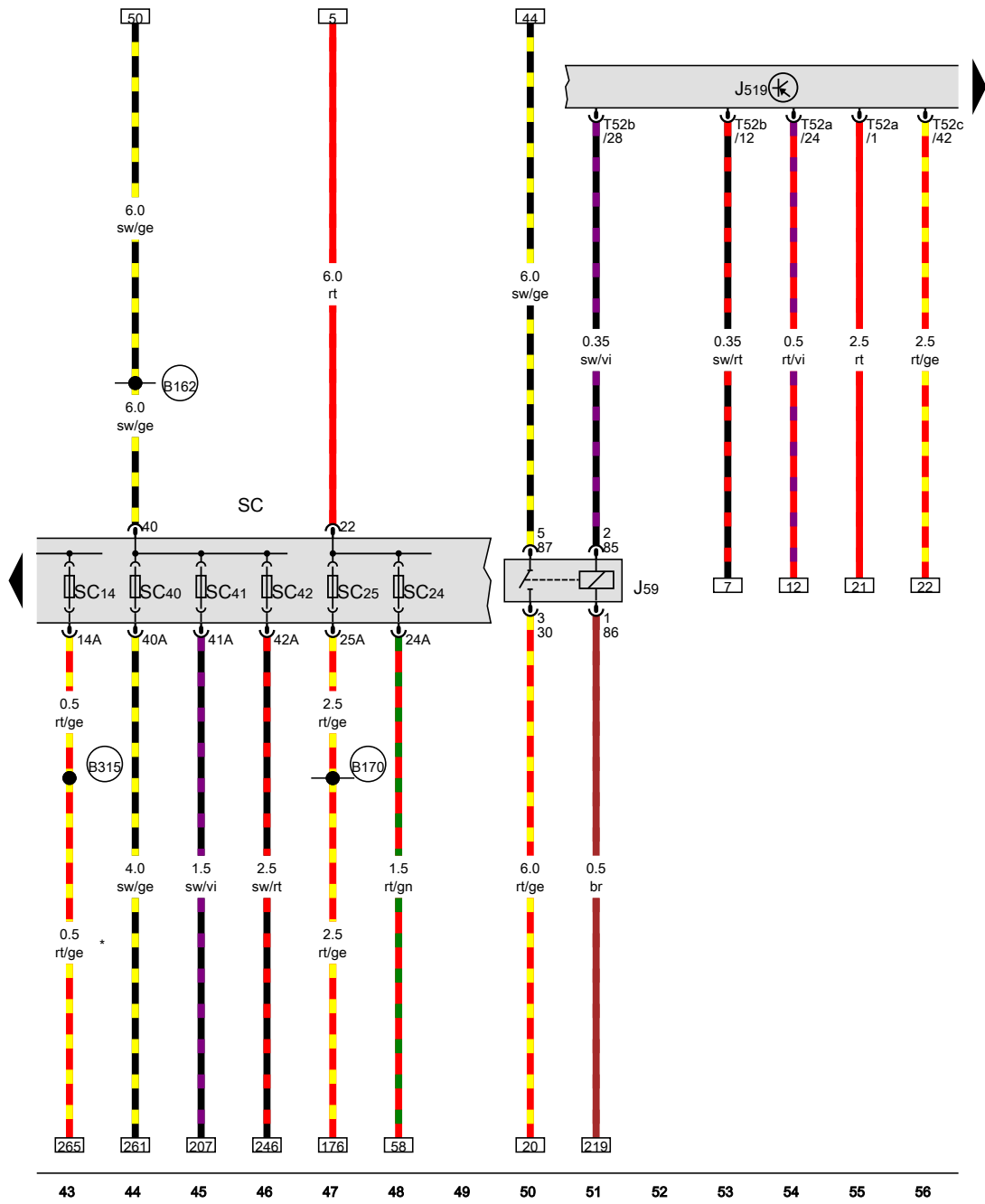
- SC Fuse panel C
- SC1 Fuse 1 (on fuse panel C)
- SC4 Fuse 4 (on fuse panel C)
- SC13 Fuse 13 (on fuse panel C)
- SC15 Fuse 15 (on fuse panel C)
- SC17 Fuse 17 (on fuse panel C)

- (A167) Positive connection 3 (30a) (in instrument panel wiring harness)
- (A192) Positive connection 3 (15a) (in instrument panel wiring harness)
- (A217) Positive connection 8 (15a) (in instrument panel wiring harness)
- (B318) Positive connection 4 (30a) (in main wiring harness)
- (B503) Positive connection 7 (30a) (in interior wiring harness)

\* not for vehicles with dual clutch transmission  
 \*2 Only for vehicles with rain/light recognition sensor

ws = white  
 sw = black  
 ro = red  
 rt = red  
 br = brown  
 gn = green  
 bl = blue  
 gr = grey  
 li = lilac  
 vi = lilac  
 ge = yellow  
 or = orange  
 rs = pink

15K1-108040515



Load reduction relay, Fuse panel C

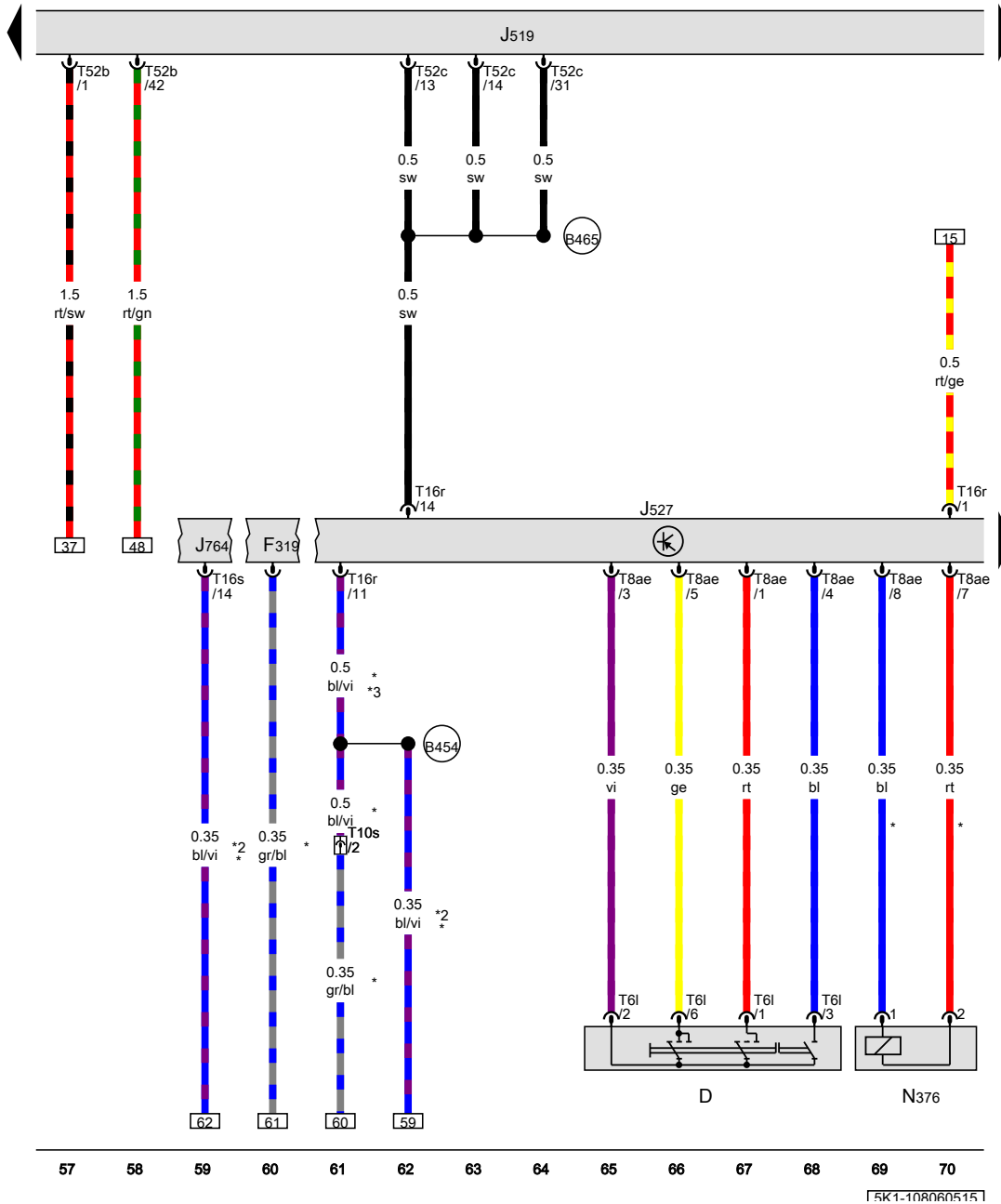
- J59 Load reduction relay
- J519 Vehicle electrical control module system
- SC Fuse panel C
- SC14 Fuse 14 (on fuse panel C)
- SC24 Fuse 24 (on fuse panel C)
- SC25 Fuse 25 (on fuse panel C)
- SC40 Fuse 40 (on fuse panel C)
- SC41 Fuse 41 (on fuse panel C)
- SC42 Fuse 42 (on fuse panel C)
- T52a 52-pin connector
- T52b 52-pin connector
- T52c 52-pin connector

- (B162) Connection 75a (in interior wiring harness)
- (B170) Positive connection 2 (30) (in interior wiring harness)
- (B315) Positive connection 1 (30a) (in main wiring harness)
- \* Only for vehicles with auxiliary water heater

- ws = white
- sw = black
- ro = red
- rt = red
- br = brown
- gn = green
- bl = blue
- gr = grey
- li = lilac
- vi = lilac
- ge = yellow
- or = orange
- rs = pink

15K1-108050515

Ignition/starter switch, Steering column electronics control module, Ignition switch key lock solenoid



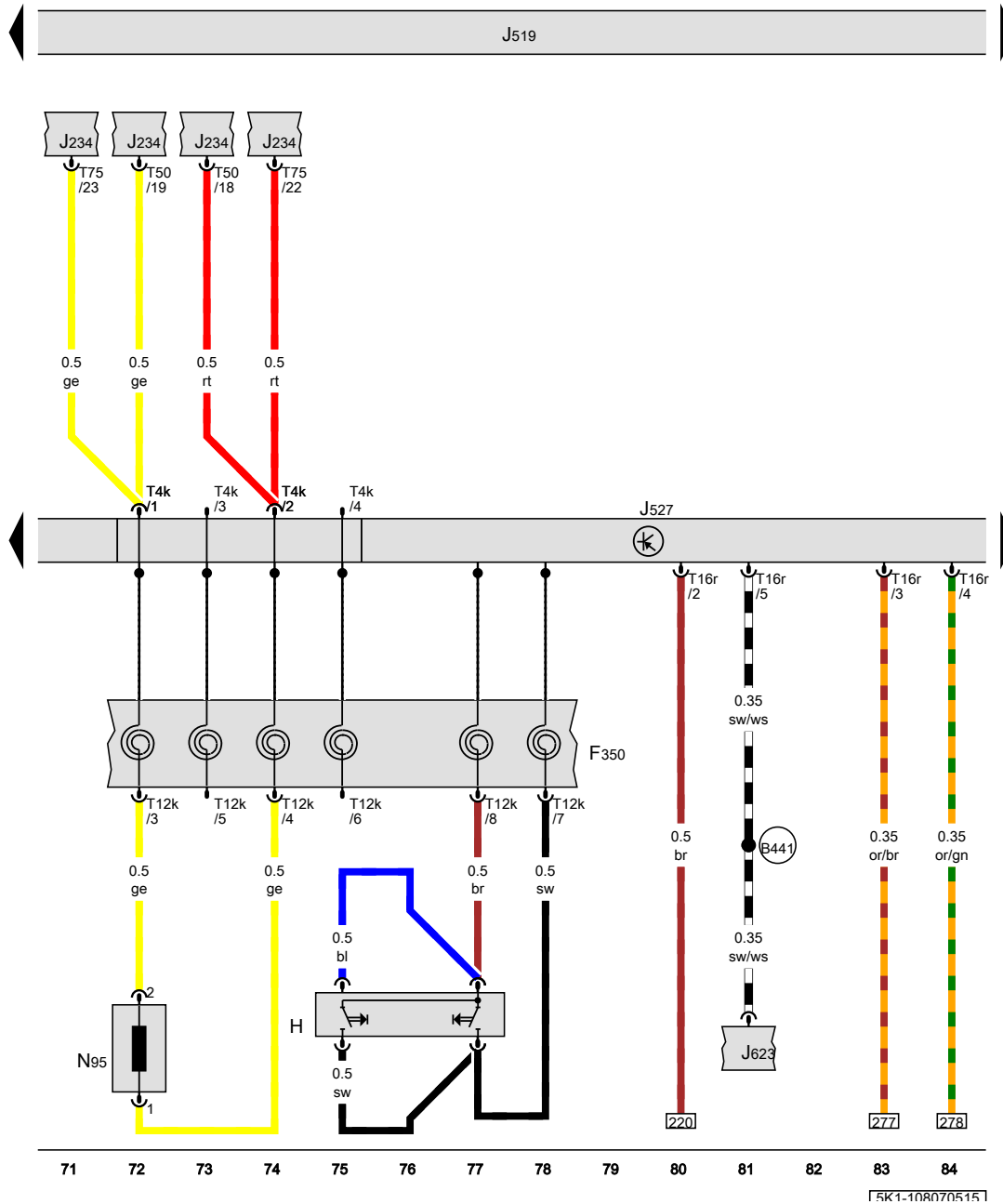
- D Ignition/starter switch
- F319 Selector lever park position lock switch
- J519 Vehicle electrical control module system
- J527 Steering column electronics control module
- J764 Electronic steering column lock control module
- N376 Ignition switch key lock solenoid, on the ignition/starter switch
- T6l 6-pin connector
- T8ae 8-pin connector
- T10s 10-pin connector, under the selector lever
- T16r 16-pin connector
- T16s 16-pin connector
- T52b 52-pin connector
- T52c 52-pin connector
- B454 Shift lock connection (in main wiring harness)
- B465 Connection 1 (in main wiring harness)
- \* Only for vehicles with DSG transmission
- \*2 only for vehicles with access/start authorization system
- \*3 Only for vehicles without access/start authorization system

15K1-108060515

Signal horn activation, Steering column electronics control module, Driver airbag igniter

- F350 Spiral spring
- H Signal horn activation
- J234 Airbag control module
- J519 Vehicle electrical control module system
- J527 Steering column electronics control module
- J623 Engine control module
- N95 Driver airbag igniter
- T4k 4-pin connector
- T12k 12-pin connector
- T16r 16-pin connector
- T50 50-pin connector
- T75 75-pin connector

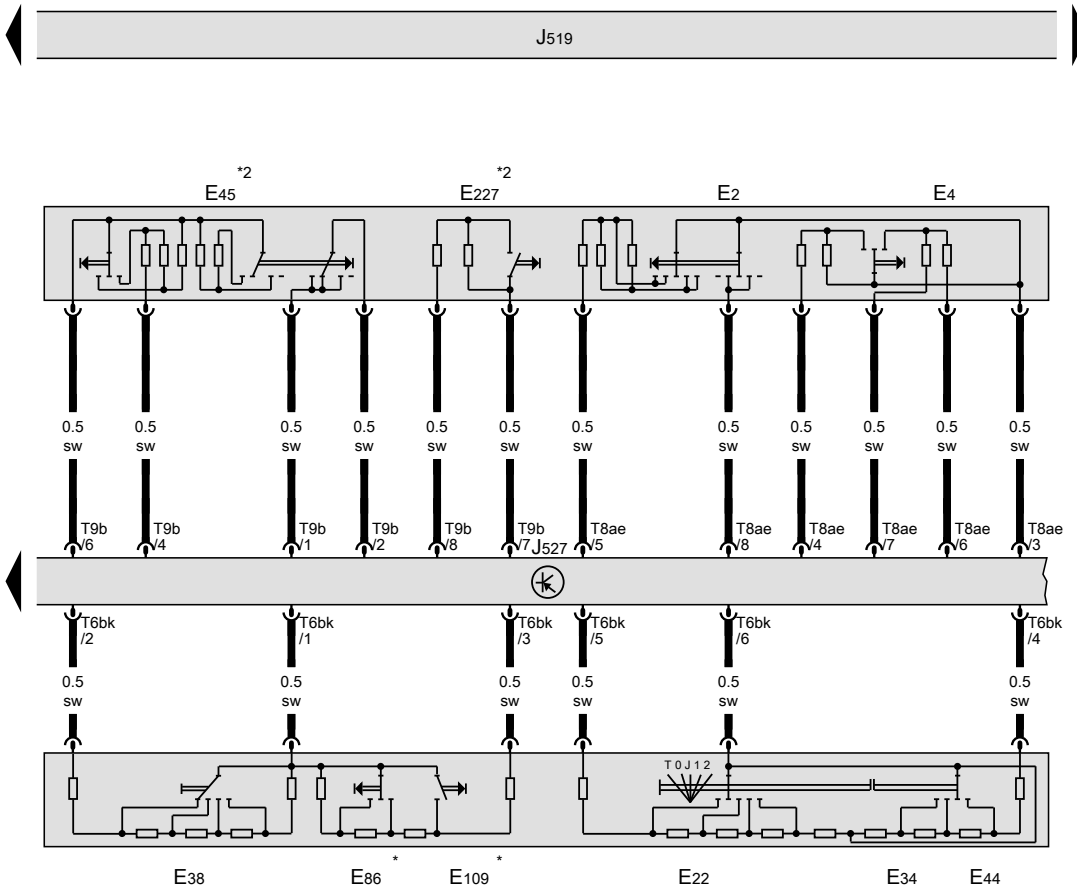
(B441) Cruise control connection (in main wiring harness)



- ws = white
- sw = black
- ro = red
- rt = red
- br = brown
- gn = green
- bl = blue
- gr = grey
- li = lilac
- vi = lilac
- ge = yellow
- or = orange
- rs = pink

15K1-108070515





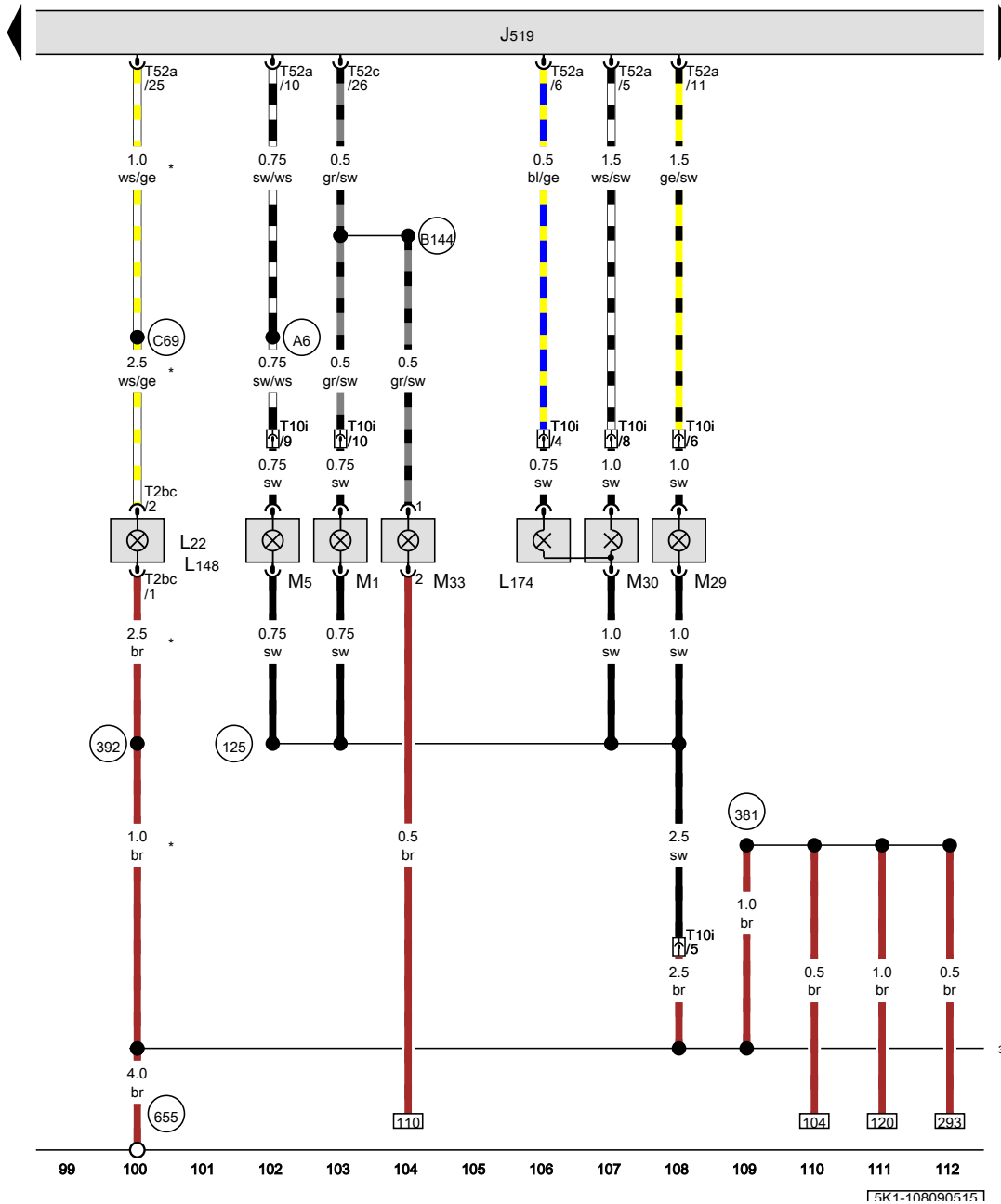
Turn signal switch, Headlamp dimmer/flasher switch, Windshield wiper intermittent mode switch, Rear window wiper switch, Windshield wiper intermittent regulator, Windshield and headlamp washer pump switch, Cruise control switch, Multifunction indicator selection switch, Multifunction indicator memory switch, Cruise control -SET- button, Steering column electronics control module

- E2 Turn signal switch
- E4 Headlamp dimmer/flasher switch
- E22 Windshield wiper intermittent mode switch
- E34 Rear window wiper switch
- E38 Windshield wiper intermittent regulator
- E44 Windshield and headlamp washer pump switch
- E45 Cruise control switch
- E86 Multifunction indicator selection switch
- E109 Multifunction indicator memory switch
- E227 Cruise control -SET- button
- J519 Vehicle electrical control module system
- J527 Steering column electronics control module
- T6bk 6-pin connector
- T8ae 8-pin connector
- T9b 9-pin connector
- \* Only for vehicles with multifunction display
- \*2 Only for vehicles with cruise control

- ws = white
- sw = black
- ro = red
- rt = red
- br = brown
- gn = green
- bl = blue
- gr = grey
- li = lilac
- vi = lilac
- ge = yellow
- or = orange
- rs = pink

85 86 87 88 89 90 91 92 93 94 95 96 97 98

15K1-108080515



Left front fog lamp bulb, Left cornering lamp bulb, Left daytime running lamp bulb, Left position lamp bulb, Left front turn signal bulb, Left low beam headlamp bulb, Left high beam headlamp bulb, Left front side marker lamp bulb

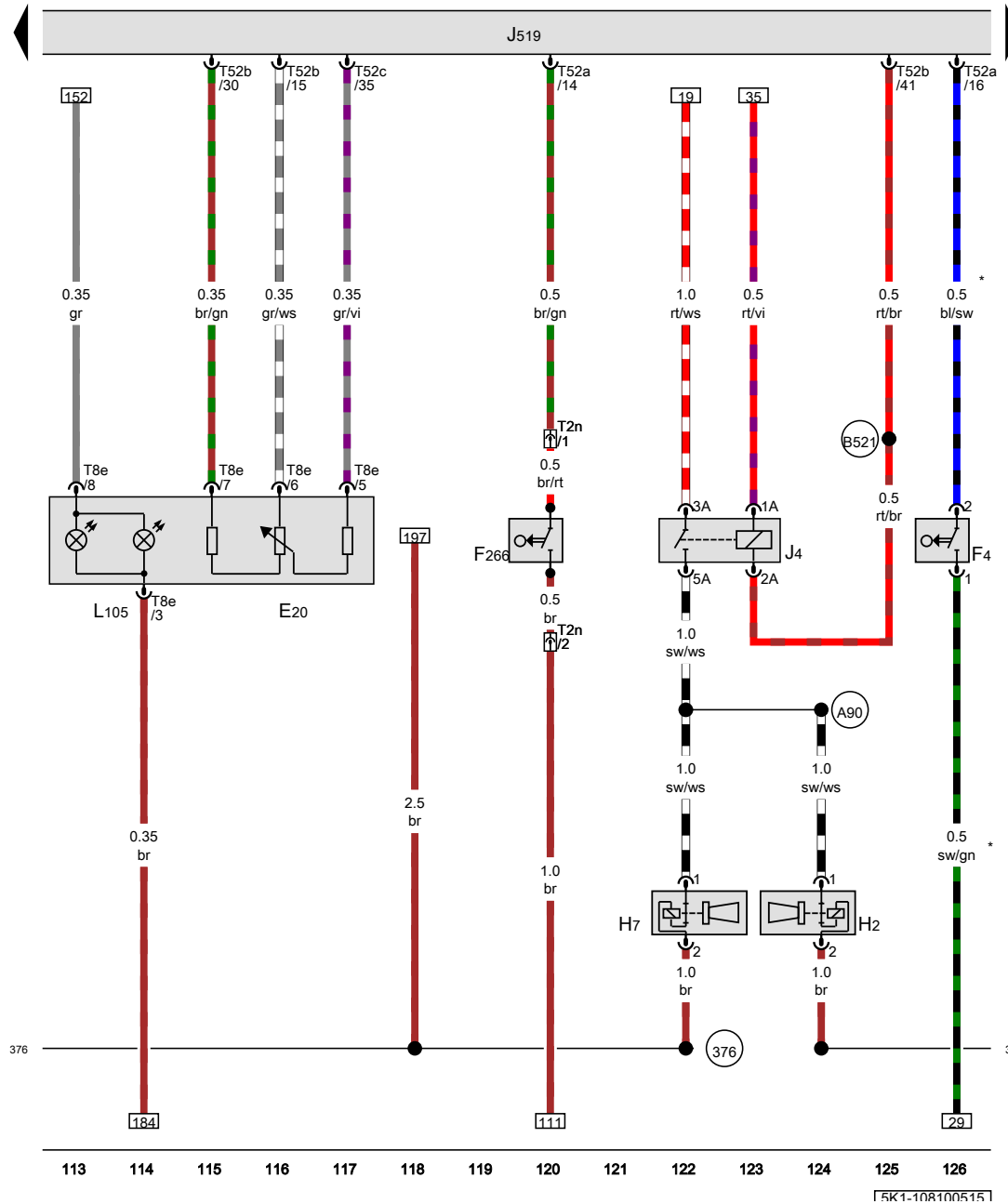
- J519 Vehicle electrical control module system
- L22 Left front fog lamp bulb
- L148 Left cornering lamp bulb
- L174 Left daytime running lamp bulb
- M1 Left position lamp bulb
- M5 Left front turn signal bulb
- M29 Left low beam headlamp bulb
- M30 Left high beam headlamp bulb
- M33 Left front side marker lamp bulb
- T2bc Double connector
- T10i 10-pin connector, on the left headlamp
- T52a 52-pin connector
- T52c 52-pin connector

- 125 Ground connection 3 (in headlamp wiring harness)
- 376 Ground connection 11 (in main wiring harness)
- 381 Ground connection 16 (in main wiring harness)
- 392 Ground connection 27 (in main wiring harness)
- 655 Ground connection on left headlamp
- A6 Left turn signal positive connection (in instrument panel wiring harness)
- B144 Positive connection (58L) (in interior wiring harness)
- C69 Fog lamp connection (in left front wiring harness)
- \* Only for vehicles with fog lamps

- ws = white
- sw = black
- ro = red
- rt = red
- br = brown
- gn = green
- bl = blue
- gr = grey
- li = lilac
- vi = lilac
- ge = yellow
- or = orange
- rs = pink

FSK1-108090515

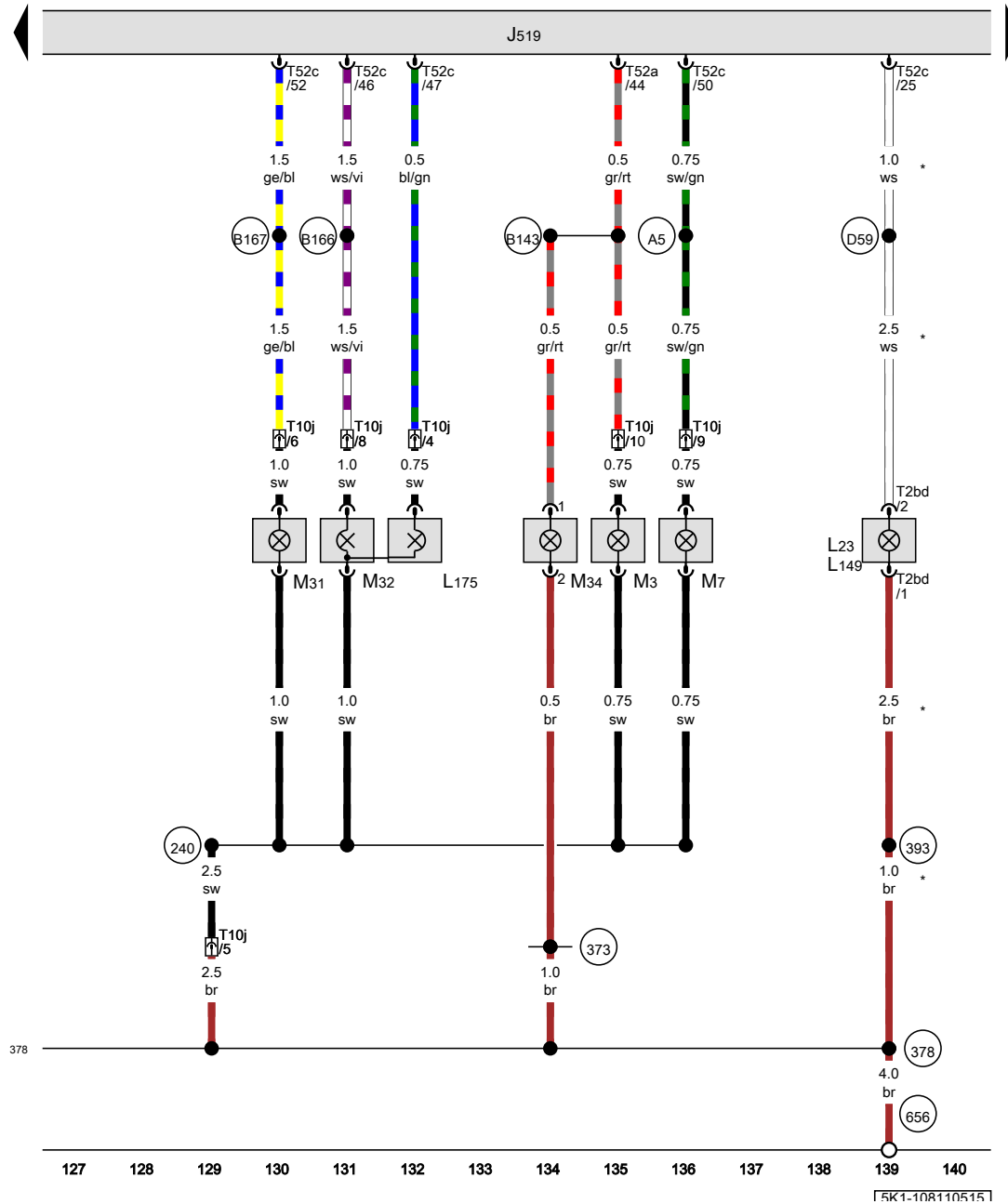
Instrument panel and switch illumination dimmer switch, Back-up lamp switch, Engine hood contact switch, High tone horn, Low tone horn, Dual tone horn relay



- E20 Instrument panel and switch illumination dimmer switch
- F4 Back-up lamp switch
- F266 Engine hood contact switch
- H2 High tone horn
- H7 Low tone horn
- J4 Dual tone horn relay
- J519 Vehicle electrical control module system
- L105 Lighting control illumination bulb
- T2n Double connector, near the left headlamp
- T8e 8-pin connector
- T52a 52-pin connector
- T52b 52-pin connector
- T52c 52-pin connector
- 376 Ground connection 11 (in main wiring harness)
- 378 Ground connection 13 (in main wiring harness)
- A90 Dual tone horn connection (in instrument panel wiring harness)
- B521 Dual tone horn connection (in main wiring harness)
- \* not for vehicles with dual clutch transmission

- ws = white
- sw = black
- ro = red
- rt = red
- br = brown
- gn = green
- bl = blue
- gr = grey
- li = lilac
- vi = lilac
- ge = yellow
- or = orange
- rs = pink

15K1-108100515



Right front fog lamp bulb, Right cornering lamp bulb, Right position lamp bulb, Right front turn signal bulb, Right low beam headlamp bulb, Right high beam headlamp bulb, Right front side marker lamp bulb

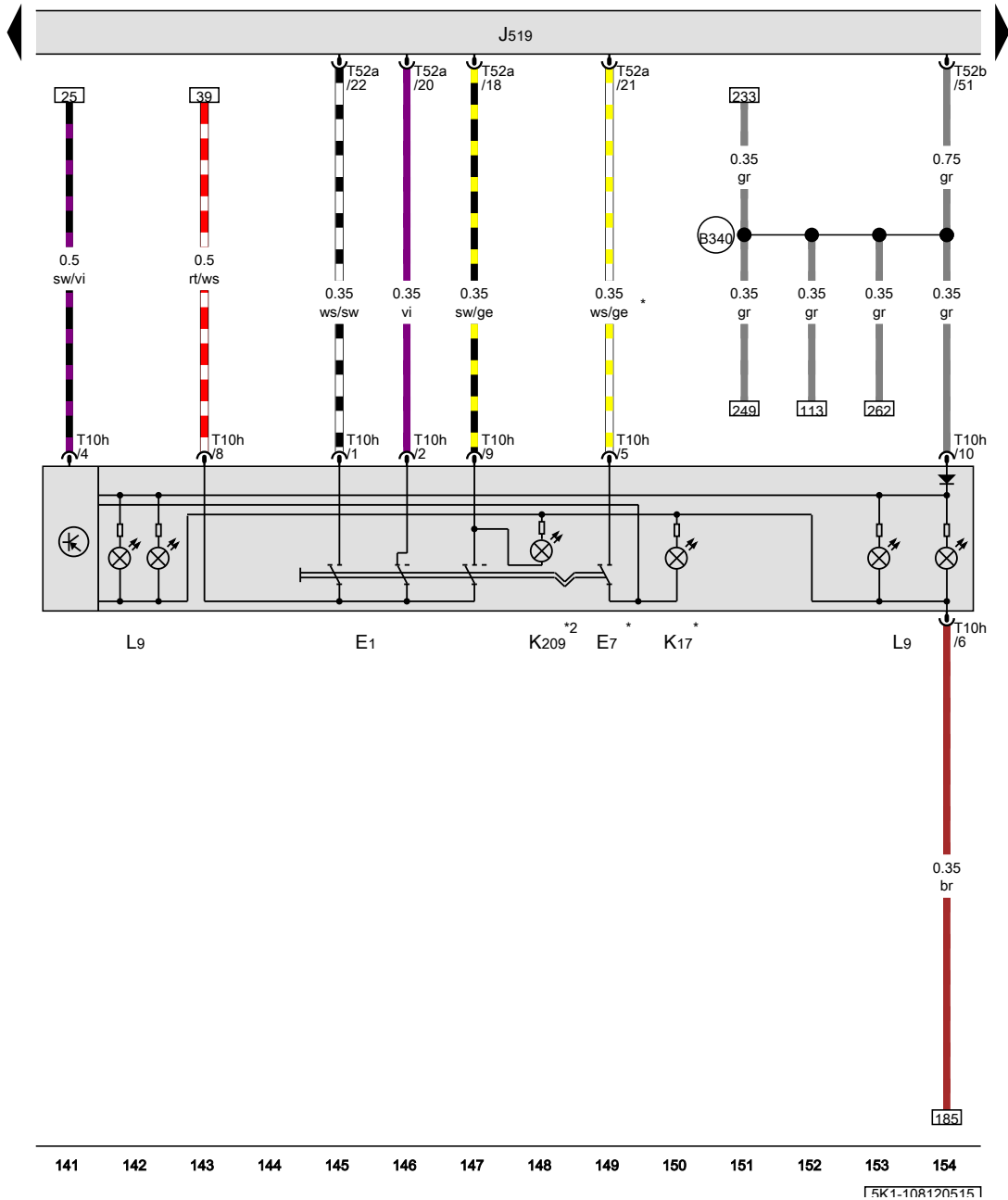
- J519 Vehicle electrical control module system
- L23 Right front fog lamp bulb
- L149 Right cornering lamp bulb
- L175 Right daytime running lamp bulb
- M3 Right position lamp bulb
- M7 Right front turn signal bulb
- M31 Right low beam headlamp bulb
- M32 Right high beam headlamp bulb
- M34 Right front side marker lamp bulb
- T2bd Double connector
- T10j 10-pin connector, on the right headlamp
- T52a 52-pin connector
- T52c 52-pin connector

- (240) Ground connection 4 (in headlamp wiring harness)
- (373) Ground connection 8 (in main wiring harness)
- (378) Ground connection 13 (in main wiring harness)
- (393) Ground connection 28 (in main wiring harness)
- (656) Ground connection on right headlamp
- (A5) Right turn signal positive connection (in instrument panel wiring harness)
- (B143) Positive connection (58R) (in interior wiring harness)
- (B166) Connection 56a (in interior wiring harness)
- (B167) Connection 56b (in interior wiring harness)
- (D59) Fog lamp connection (in engine compartment wiring harness)
- \* Only for vehicles with fog lamps

- ws = white
- sw = black
- ro = red
- rt = red
- br = brown
- gn = green
- bl = blue
- gr = grey
- li = lilac
- vi = lilac
- ge = yellow
- or = orange
- rs = pink

15K1-10R110515

Light switch, Fog lamp switch, Fog lamp indicator lamp, Automatic light control indicator lamp



- E1 Light switch
- E7 Fog lamp switch
- J519 Vehicle electrical control module system
- K17 Fog lamp indicator lamp
- K209 Automatic light control indicator lamp
- L9 Headlamp switch illumination bulb
- T10h 10-pin connector
- T52a 52-pin connector
- T52b 52-pin connector

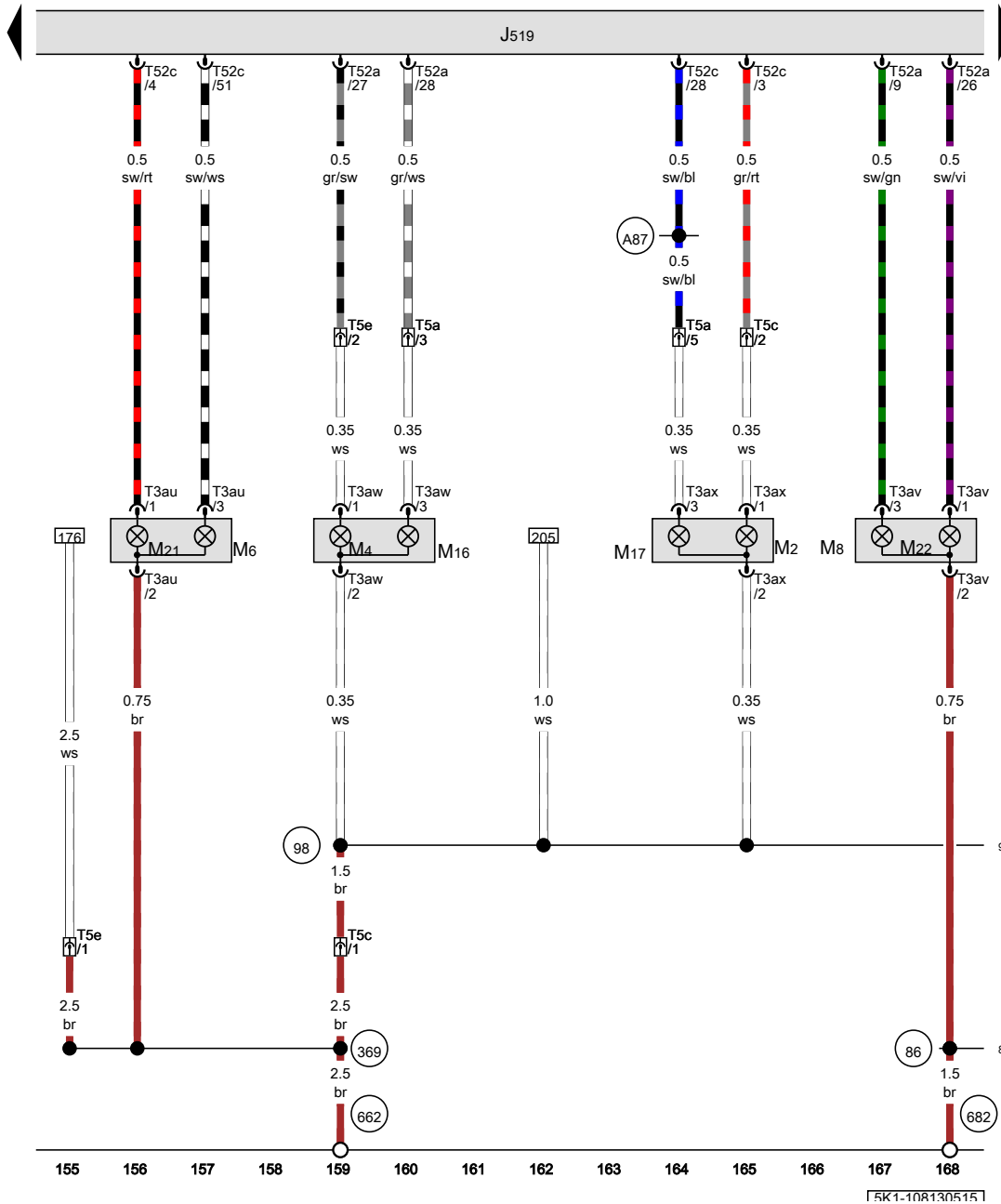
B340 Connection 58d (in main wiring harness) 1

- \* Only for vehicles with fog lamps
- \*2 Only for vehicles with automatic headlamp assist

- ws = white
- sw = black
- ro = red
- rt = red
- br = brown
- gn = green
- bl = blue
- gr = grey
- li = lilac
- vi = lilac
- ge = yellow
- or = orange
- rs = pink

141 142 143 144 145 146 147 148 149 150 151 152 153 154

15K1-10R120515



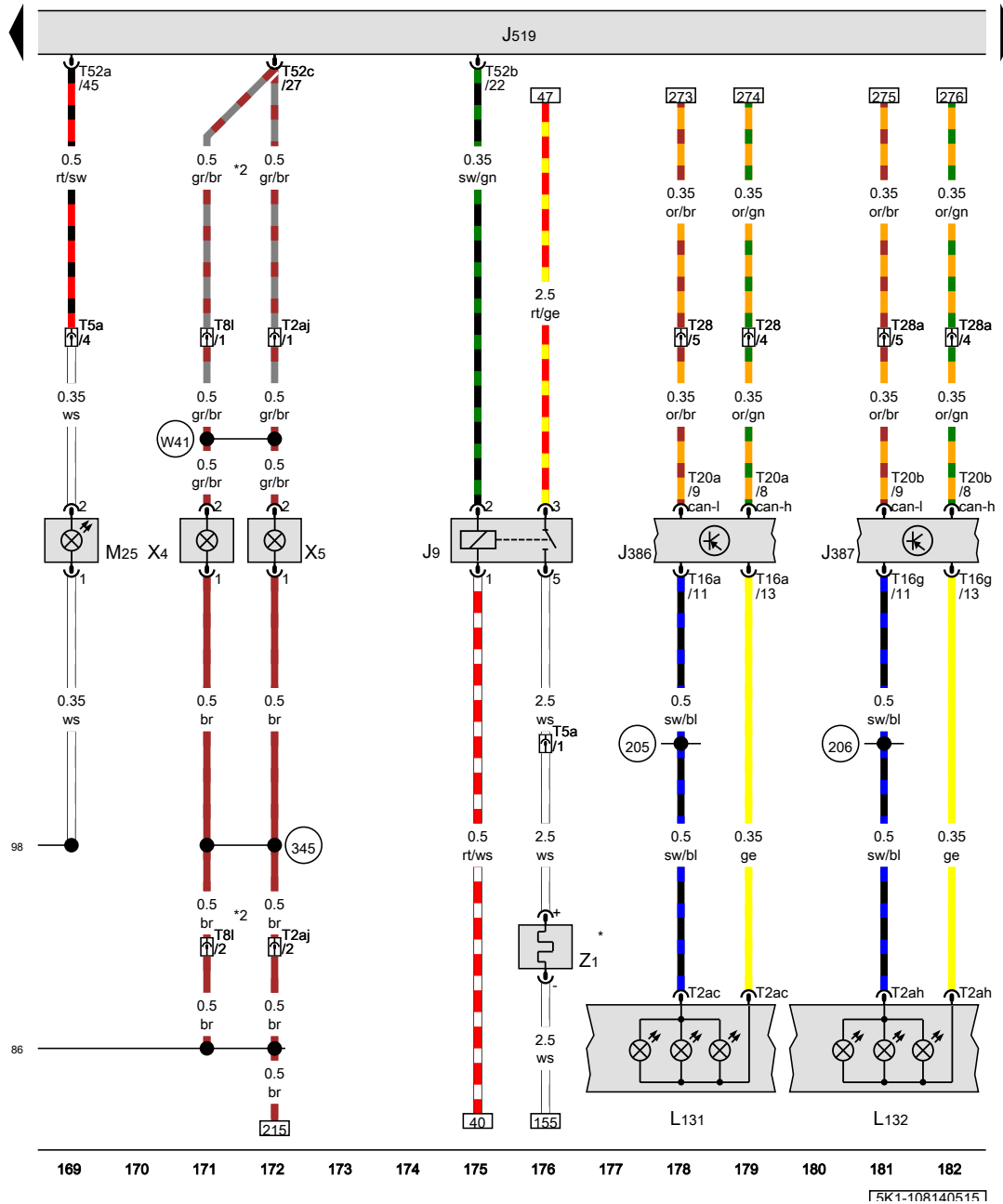
Right tail lamp bulb, Left tail lamp bulb, Left rear turn signal bulb, Right rear turn signal bulb, Left back-up lamp bulb, Right back-up lamp bulb, Left brake/tail lamp bulb, Right brake/tail lamp bulb

- J519 Vehicle electrical control module system
- M2 Right tail lamp bulb
- M4 Left tail lamp bulb
- M6 Left rear turn signal bulb
- M8 Right rear turn signal bulb
- M16 Left back-up lamp bulb
- M17 Right back-up lamp bulb
- M21 Left brake/tail lamp bulb
- M22 Right brake/tail lamp bulb
- T3au 3-pin connector
- T3av 3-pin connector
- T3aw 3-pin connector
- T3ax 3-pin connector
- T5a 5-pin connector, in the left rear side panel
- T5c 5-pin connector, in the left rear side panel
- T5e 5-pin connector, in the left rear side panel
- T52a 52-pin connector
- T52c 52-pin connector

- 86 Ground connection 1 (in rear wiring harness)
- 98 Ground connection (in rear lid wiring harness)
- 369 Ground connection 4 (in main wiring harness)
- 662 Ground connection in left rear side panel
- 682 Ground connection 2 in right rear side panel
- A87 Back-up lamp connection (in instrument panel wiring harness)

- ws = white
- sw = black
- ro = red
- rt = red
- br = brown
- gn = green
- bl = blue
- gr = grey
- li = lilac
- vi = lilac
- ge = yellow
- or = orange
- rs = pink

15K1-10R1305151



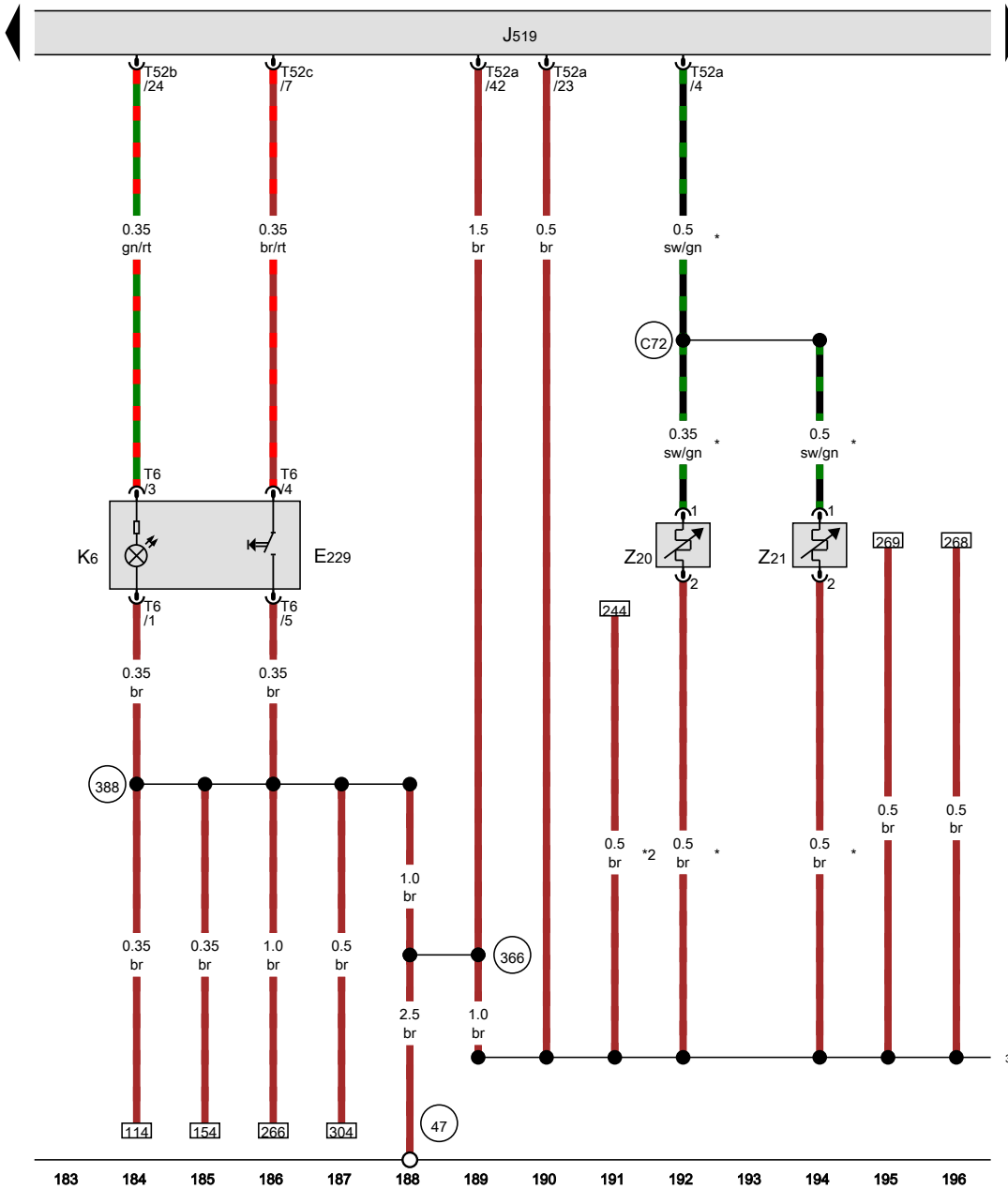
Rear window defogger relay, Driver exterior rearview mirror turn signal bulb, Front passenger exterior rearview mirror turn signal bulb, High-mounted brake lamp bulb, Left license plate lamp, Right license plate lamp, Rear window defogger

- J9 Rear window defogger relay
- J386 Driver door control module
- J387 Front passenger door control module
- J519 Vehicle electrical control module system
- L131 Driver exterior rearview mirror turn signal bulb
- L132 Front passenger exterior rearview mirror turn signal bulb
- M25 High-mounted brake lamp bulb
- T2ac Double connector
- T2ah Double connector
- T2aj Double connector, under the right rear bumper
- T5a 5-pin connector, in the left rear side panel
- T8I 8-pin connector
- T16a 16-pin connector
- T16g 16-pin connector
- T20a 20-pin connector
- T20b 20-pin connector
- T28 28-pin connector, in the left A-pillar connector station
- T28a 28-pin connector, in the left A-pillar connector station
- T52a 52-pin connector
- T52b 52-pin connector
- T52c 52-pin connector
- X4 Left license plate lamp
- X5 Right license plate lamp
- Z1 Rear window defogger

- 86 Ground connection 1 (in rear wiring harness)
- 98 Ground connection (in rear lid wiring harness)
- 205 Ground connection (in driver door wiring harness)
- 206 Ground connection (in front passenger door wiring harness)
- 345 Ground connection (in bumper wiring harness)
- W41 Positive connection (58) (in license plate lamp wiring harness)

- \* Refer to applicable wiring diagram for radio/radio navigation system
- \*2 Only for vehicles with park distance control (PDC)

- ws = white
- sw = black
- ro = red
- rt = red
- br = brown
- gn = green
- bl = blue
- gr = grey
- li = lilac
- vi = lilac
- ge = yellow
- or = orange
- rs = pink



Emergency flasher button, Left washer nozzle heater, Right washer nozzle heater

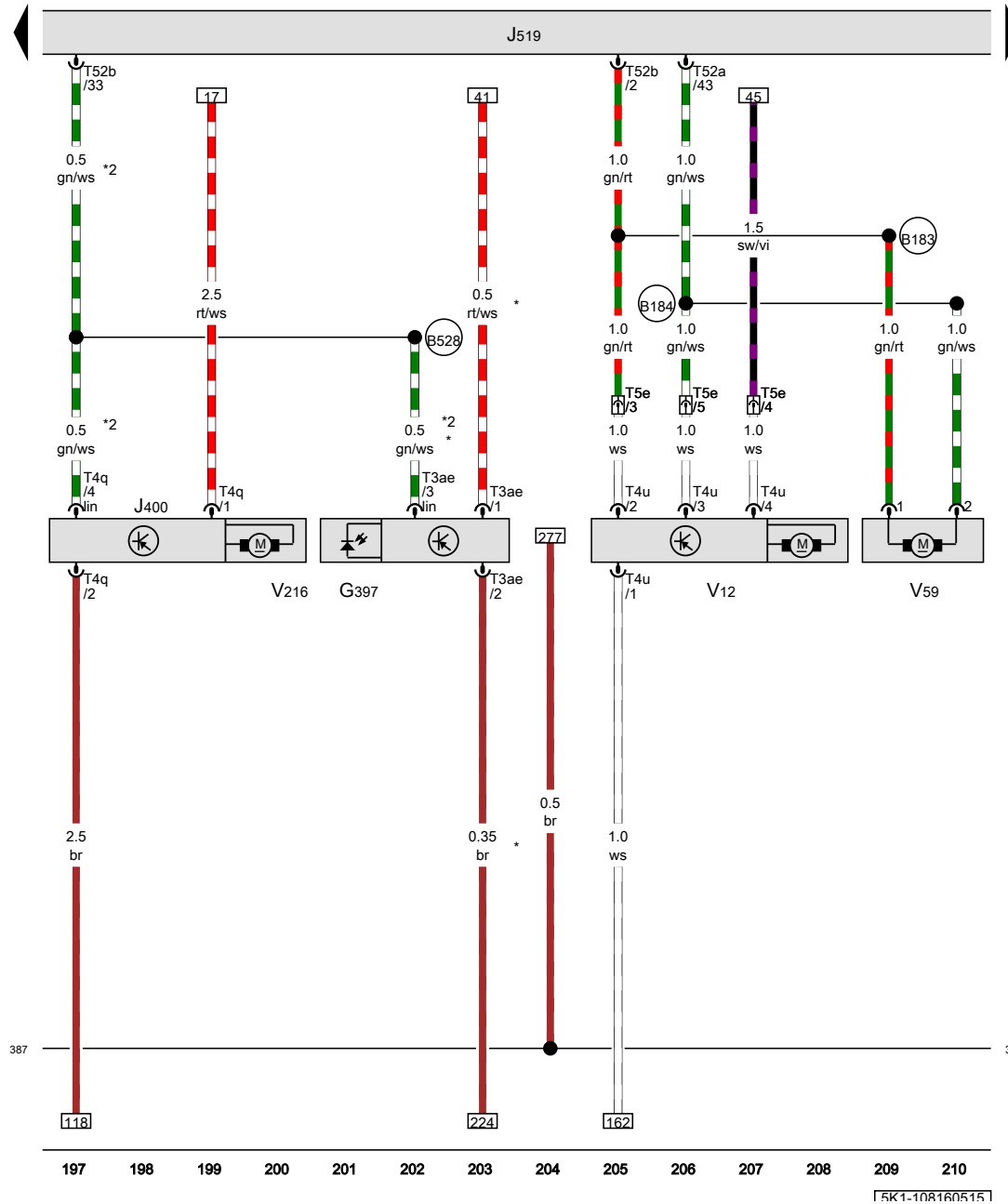
- E229 Emergency flasher button
- J519 Vehicle electrical control module system
- K6 Emergency flasher indicator lamp
- T6 6-pin connector
- T52a 52-pin connector
- T52b 52-pin connector
- T52c 52-pin connector
- Z20 Left washer nozzle heater
- Z21 Right washer nozzle heater

- 47 Ground connection in right front footwell
- 366 Ground connection 1 (in main wiring harness)
- 387 Ground connection 22 (in main wiring harness)
- 388 Ground connection 23 (in main wiring harness)
- C72 Positive connection (in heated spray nozzle wiring harness)
- \* Only for vehicles with heated spray nozzles
- \*2 Only for vehicles with footwell lamp

- ws = white
- sw = black
- ro = red
- rt = red
- br = brown
- gn = green
- bl = blue
- gr = grey
- li = lilac
- vi = lilac
- ge = yellow
- or = orange
- rs = pink

15K1-10R150515





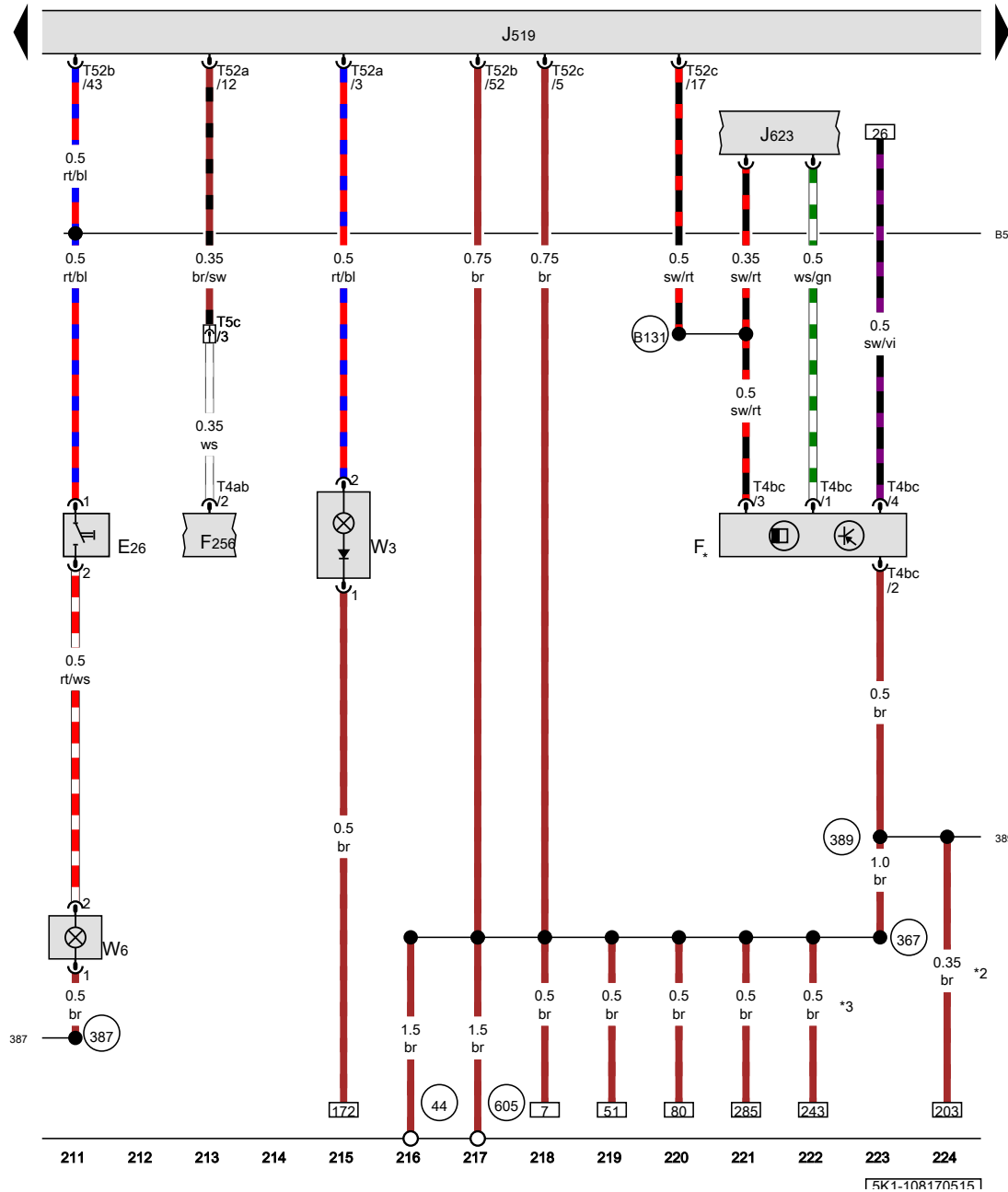
Rain/light recognition sensor, Wiper motor control module, Rear window wiper motor, Windshield and rear window washer pump, Driver windshield wiper motor

- G397 Rain/light recognition sensor
- J400 Wiper motor control module
- J519 Vehicle electrical control module system
- T3ae 3-pin connector
- T4q 4-pin connector
- T4u 4-pin connector
- T5e 5-pin connector, in the left rear side panel
- T52a 52-pin connector
- T52b 52-pin connector
- V12 Rear window wiper motor
- V59 Windshield and rear window washer pump
- V216 Driver windshield wiper motor

- 387 Ground connection 22 (in main wiring harness)
- B183 Windshield washer pump connection 1 (in interior wiring harness)
- B184 Windshield washer pump connection 2 (in interior wiring harness)
- B528 LIN bus connection 1 (in main wiring harness)
- \* Only for vehicles with rain/light recognition sensor
- \*2 The color of the wires depends on vehicle equipment

- ws = white
- sw = black
- ro = red
- rt = red
- br = brown
- gn = green
- bl = blue
- gr = grey
- li = lilac
- vi = lilac
- ge = yellow
- or = orange
- rs = pink

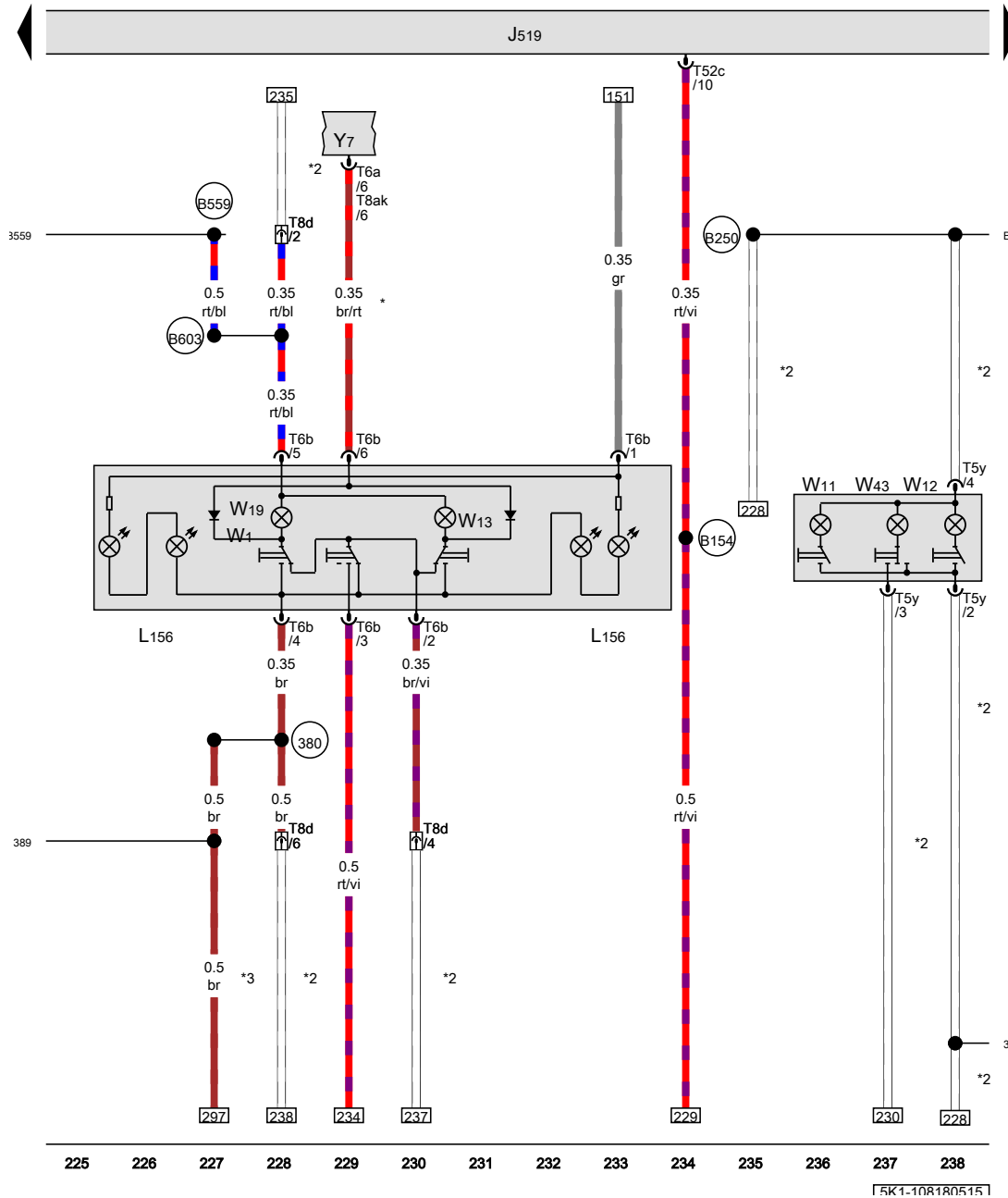
Glove compartment lamp switch, Brake lamp switch, Luggage compartment lamp, Glove compartment lamp



- E26 Glove compartment lamp switch
- F Brake lamp switch
- F256 Rear lid lock unit
- J519 Vehicle electrical control module system
- J623 Engine control module
- T4ab 4-pin connector
- T4bc 4-pin connector
- T5c 5-pin connector, in the left rear side panel
- T52a 52-pin connector
- T52b 52-pin connector
- T52c 52-pin connector
- W3 Luggage compartment lamp
- W6 Glove compartment lamp
- 44 Ground connection on A-pillar, lower left
- 367 Ground connection 2 (in main wiring harness)
- 387 Ground connection 22 (in main wiring harness)
- 389 Ground connection 24 (in main wiring harness)
- 605 Ground connection on upper steering column
- B131 Connection 54 (in interior wiring harness)
- B559 Positive connection 1 (30g) (in main wiring harness)
- \* Refer to applicable engine wiring diagram
- \*2 Only for vehicles with rain/light recognition sensor
- \*3 Only for vehicles with footwell lamp

- ws = white
- sw = black
- ro = red
- rt = red
- br = brown
- gn = green
- bl = blue
- gr = grey
- li = lilac
- vi = lilac
- ge = yellow
- or = orange
- rs = pink

15K1-10R170515



Front interior lamp, Left rear reading lamp, Right rear reading lamp, Front passenger reading lamp, Driver reading lamp, Rear interior lamp

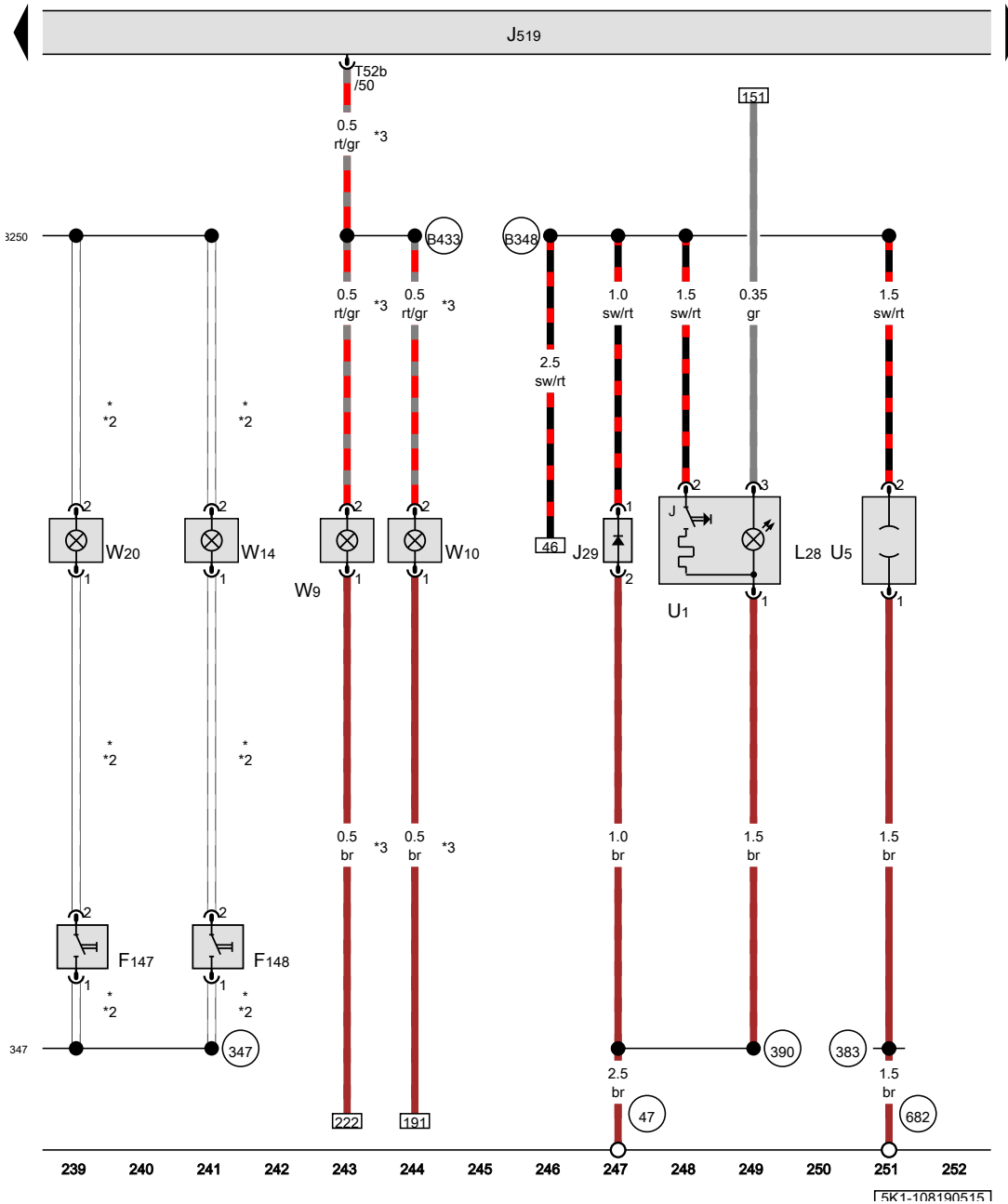
- J519 Vehicle electrical control module system
- L156 Switch illumination bulb
- T5y 5-pin connector
- T6a 6-pin connector
- T6b 6-pin connector
- T8d 8-pin connector, near the front interior lamp
- T52c 52-pin connector
- W1 Front interior lamp
- W11 Left rear reading lamp
- W12 Right rear reading lamp
- W13 Front passenger reading lamp
- W19 Driver reading lamp
- W43 Rear interior lamp
- Y7 Automatic dimming interior rearview mirror

- 347 Ground connection (in roof wiring harness)
- 380 Ground connection 15 (in main wiring harness)
- 389 Ground connection 24 (in main wiring harness)
- B154 Connection TK (in interior wiring harness) 1
- B250 Positive connection (in roof wiring harness)
- B559 Positive connection 1 (30g) (in main wiring harness)
- B603 Positive connection 2 (30g) (in main wiring harness)

- \* Only for vehicles with automatic dimming interior rearview mirror
- \*2 Flat conductor
- \*3 Only for vehicles with brake pad wear indicator

- ws = white
- sw = black
- ro = red
- rt = red
- br = brown
- gn = green
- bl = blue
- gr = grey
- li = lilac
- vi = lilac
- ge = yellow
- or = orange
- rs = pink

15K1-10R180515

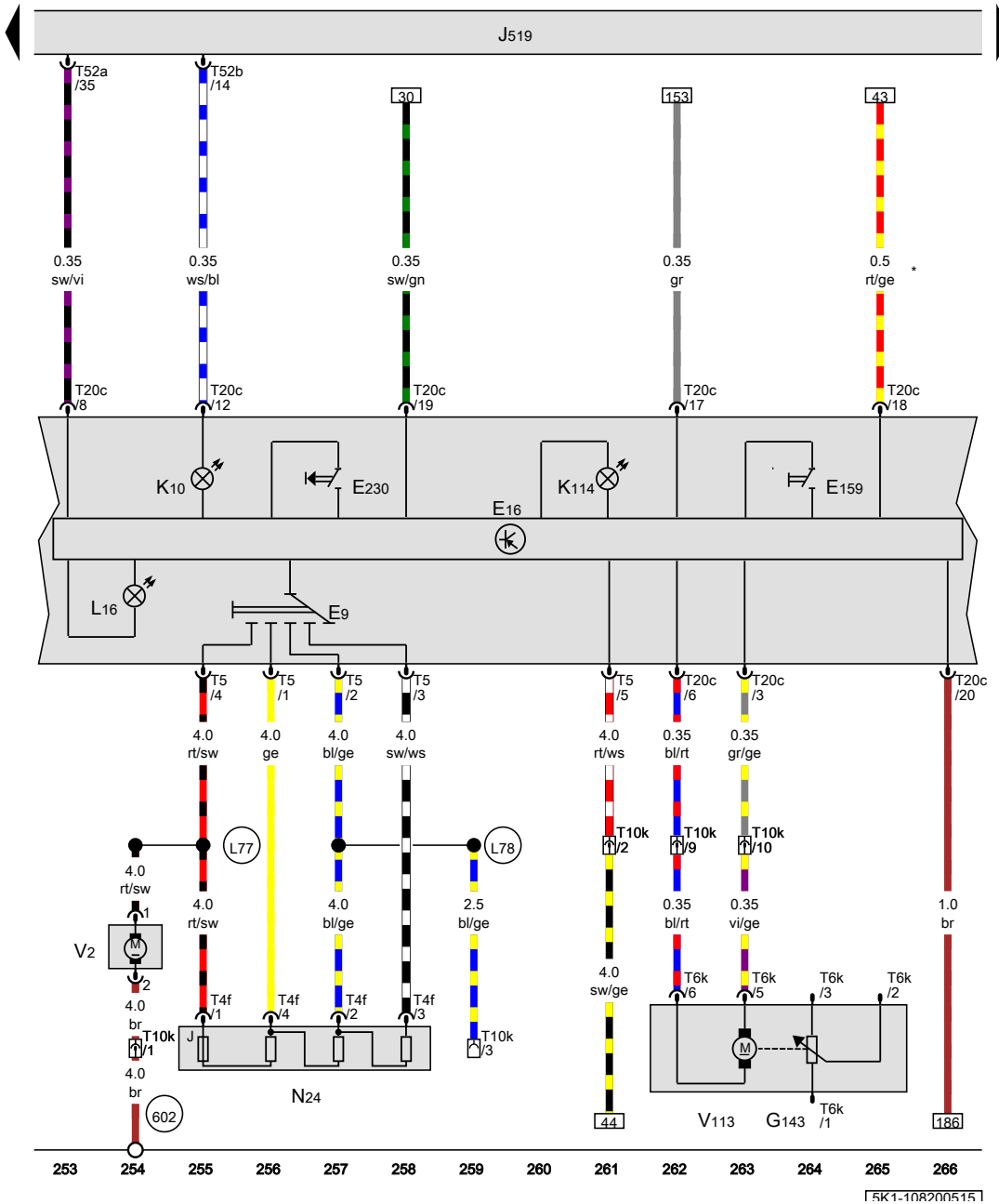


Driver vanity mirror lamp contact switch, Front passenger vanity mirror lamp contact switch, Blocking diode, Cigarette lighter illumination bulb, Cigarette lighter, 12 V socket, Left footwell lamp, Right footwell lamp, Front passenger vanity mirror lamp, Driver vanity mirror lamp

- F147 Driver vanity mirror lamp contact switch
- F148 Front passenger vanity mirror lamp contact switch
- J29 Blocking diode
- J519 Vehicle electrical control module system
- L28 Cigarette lighter illumination bulb
- T52b 52-pin connector
- U1 Cigarette lighter
- U5 12 V socket
- W9 Left footwell lamp
- W10 Right footwell lamp
- W14 Front passenger vanity mirror lamp
- W20 Driver vanity mirror lamp
- 47 Ground connection in right front footwell
- 347 Ground connection (in roof wiring harness)
- 383 Ground connection 18 (in main wiring harness)
- 390 Ground connection 25 (in main wiring harness)
- 682 Ground connection 2 in right rear side panel
- B250 Positive connection (in roof wiring harness)
- B348 Connection 75a (in main wiring harness) 1
- B433 Footwell illumination connection (in main wiring harness)

- ws = white
- sw = black
- ro = red
- rt = red
- br = brown
- gn = green
- bl = blue
- gr = grey
- li = lilac
- vi = lilac
- ge = yellow
- or = orange
- rs = pink

- \* Only for vehicles with illuminated vanity mirror
- \*2 Flat conductor
- \*3 Only for vehicles with footwell lamp



Fresh air blower switch, Heater/heat output switch, Fresh air blower series resistor with fuse, Fresh air blower, Recirculation door motor

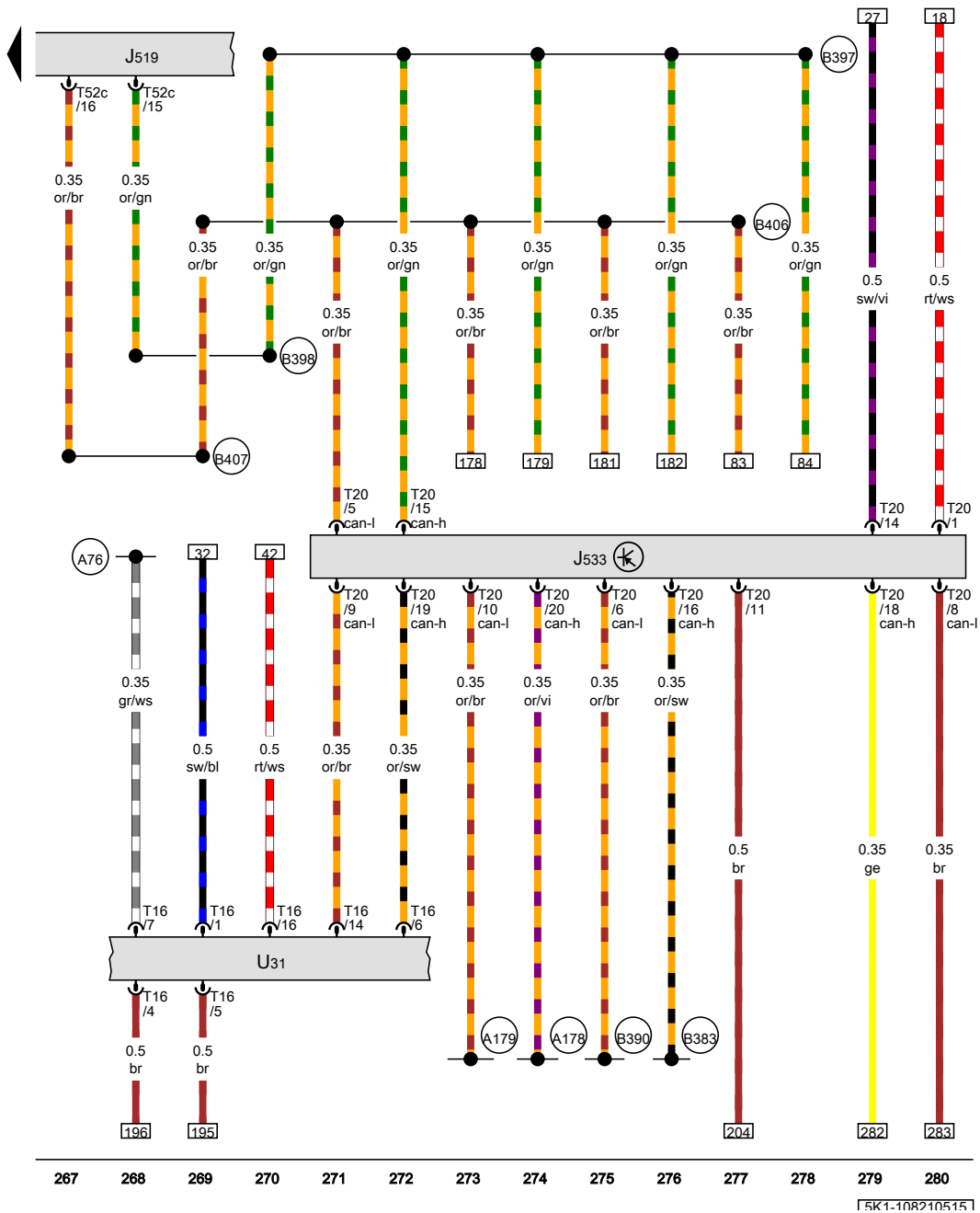
- E9 Fresh air blower switch
- E16 Heater/heat output switch, in the engine compartment, right
- E159 Fresh air/recirculation door switch
- E230 Rear window defogger button
- G143 Recirculation door motor position sensor
- J519 Vehicle electrical control module system
- K10 Rear window defogger indicator lamp
- K114 Fresh air and recirculation mode indicator lamp
- L16 Fresh air control illumination bulb
- N24 Fresh air blower series resistor with fuse
- T4f 4-pin connector
- T5 5-pin connector
- T6k 6-pin connector
- T10k 10-pin connector, behind the instrument panel, right
- T20c 20-pin connector
- T52a 52-pin connector
- T52b 52-pin connector
- V2 Fresh air blower
- V113 Recirculation door motor

- 602 Ground connection in left front footwell
- L77 Connection (in fresh air blower wiring harness)
- L78 Connection 1 (in fresh air blower wiring harness)

\* Only for vehicles with auxiliary water heater

- ws = white
- sw = black
- ro = red
- rt = red
- br = brown
- gn = green
- bl = blue
- gr = grey
- li = lilac
- vi = lilac
- ge = yellow
- or = orange
- rs = pink

15K1-108200515



Data bus on board diagnostic interface, Diagnostic connection

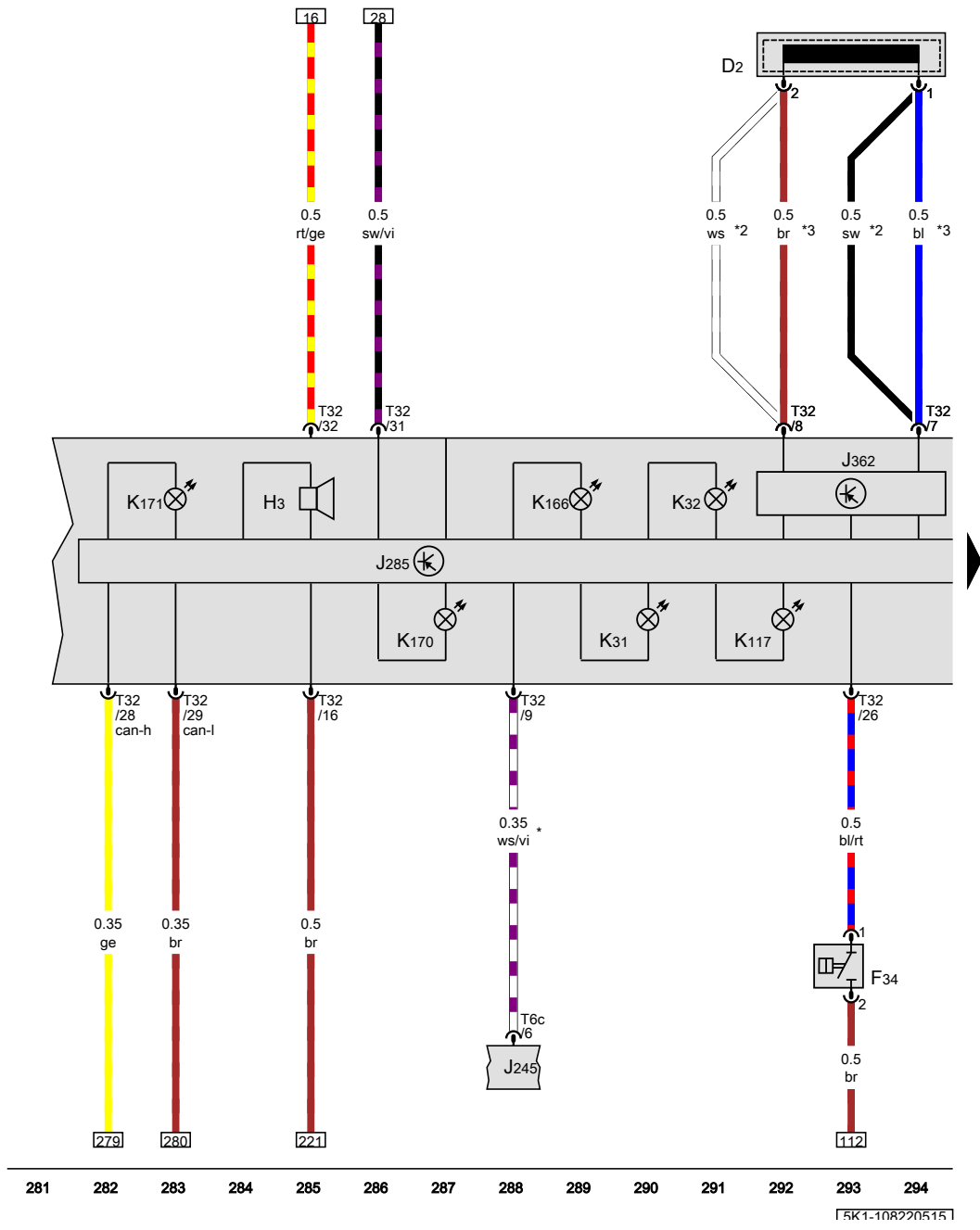
- J519 Vehicle electrical control module system
- J533 Data bus on board diagnostic interface, in the left footwell, near the center console
- T16 16-pin connector
- T20 20-pin connector
- T52c 52-pin connector
- U31 Diagnostic connection

- (A76) KS-diagnostic lead connection (in instrument panel wiring harness)
- (A178) Infotainment CAN bus high connection (in instrument panel wiring harness)
- (A179) Infotainment CAN bus low connection (in instrument panel wiring harness)
- (B383) Powertrain CAN bus high connection 1 (in main wiring harness)
- (B390) Powertrain CAN bus low connection 1 (in main wiring harness)
- (B397) Comfort system CAN bus high connection 1 (in main wiring harness)
- (B398) Comfort system CAN bus high connection 2 (in main wiring harness)
- (B406) Comfort system CAN bus low connection 1 (in main wiring harness)
- (B407) Comfort system CAN bus low connection 2 (in main wiring harness)

- ws = white
- sw = black
- ro = red
- rt = red
- br = brown
- gn = green
- bl = blue
- gr = grey
- li = lilac
- vi = lilac
- ge = yellow
- or = orange
- rs = pink

Anti-theft immobilizer reader coil, Brake fluid level warning switch, Warning buzzer and tone, Instrument cluster control module, Cruise control indicator lamp, Anti-theft immobilizer indicator lamp, Door ajar indicator lamp, Lamp failure indicator lamp, Hood -open- indicator lamp

- D2 Anti-theft immobilizer reader coil
- F34 Brake fluid level warning switch
- H3 Warning buzzer and tone
- J245 Power sunroof control module
- J285 Instrument cluster control module
- J362 Anti-theft immobilizer control module
- K31 Cruise control indicator lamp
- K32 Brake pad wear indicator lamp
- K117 Anti-theft immobilizer indicator lamp
- K166 Door ajar indicator lamp
- K170 Lamp failure indicator lamp
- K171 Hood -open- indicator lamp
- T6c 6-pin connector
- T32 32-pin connector
- \* Speed signal
- \*2 only for vehicles with access/start authorization system
- \*3 Only for vehicles without access/start authorization system



- ws = white
- sw = black
- ro = red
- rt = red
- br = brown
- gn = green
- bl = blue
- gr = grey
- li = lilac
- vi = lilac
- ge = yellow
- or = orange
- rs = pink

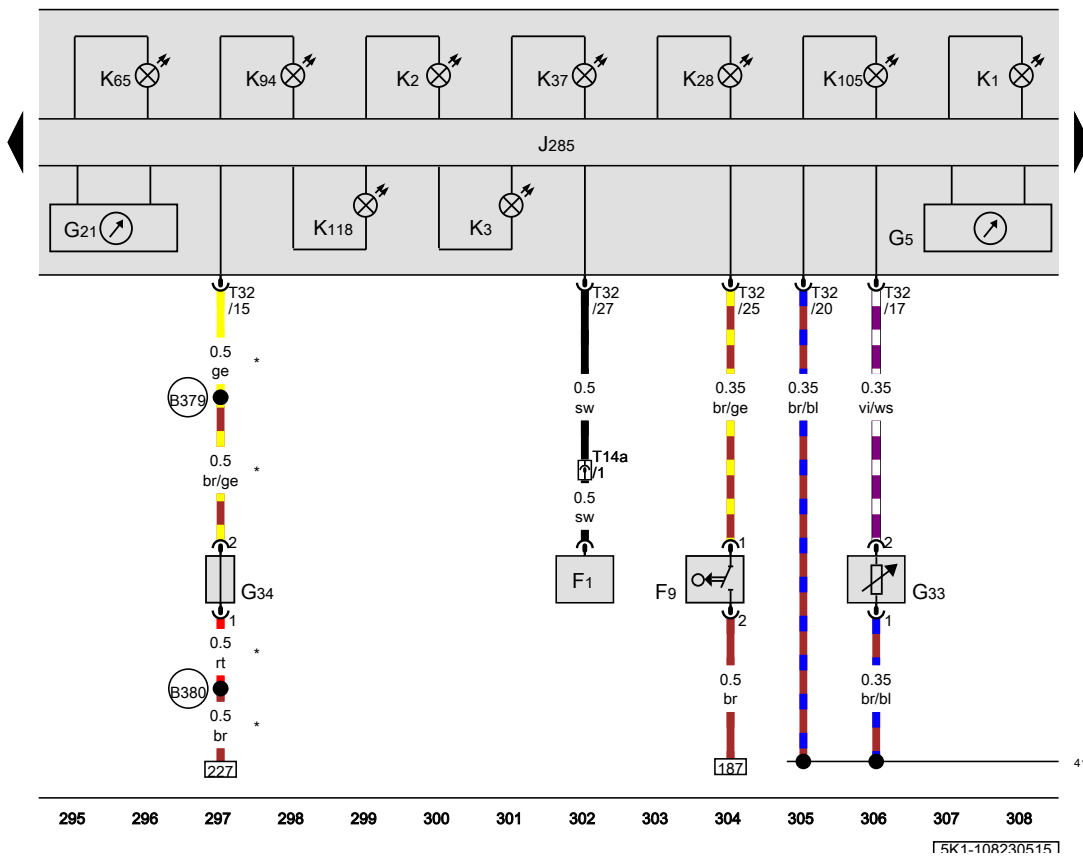
Parking brake indicator lamp switch, Tachometer, Speedometer, Windshield washer fluid level sensor, Left front brake pad wear sensor, Instrument cluster control module, High beam indicator lamp, Windshield washer fluid level indicator lamp

- F1 Oil pressure switch
- F9 Parking brake indicator lamp switch
- G5 Tachometer
- G21 Speedometer
- G33 Windshield washer fluid level sensor
- G34 Left front brake pad wear sensor
- J285 Instrument cluster control module
- K1 High beam indicator lamp
- K2 Generator indicator lamp
- K3 Oil pressure indicator lamp
- K28 Engine coolant level/temperature indicator lamp
- K37 Windshield washer fluid level indicator lamp
- K65 Indicator lamp for left turn signal
- K94 Right turn signal indicator lamp
- K105 Low fuel level indicator lamp
- K118 Brake system indicator lamp
- T14a 14-pin connector, near the battery
- T32 32-pin connector

- 410 Sensor ground connection 1 (in main wiring harness)
- B379 Brake wear indicator connection 1 (in main wiring harness)
- B380 Brake wear indicator connection 2 (in main wiring harness)

\* Only for vehicles with brake pad wear indicator

- ws = white
- sw = black
- ro = red
- rt = red
- br = brown
- gn = green
- bl = blue
- gr = grey
- li = lilac
- vi = lilac
- ge = yellow
- or = orange
- rs = pink

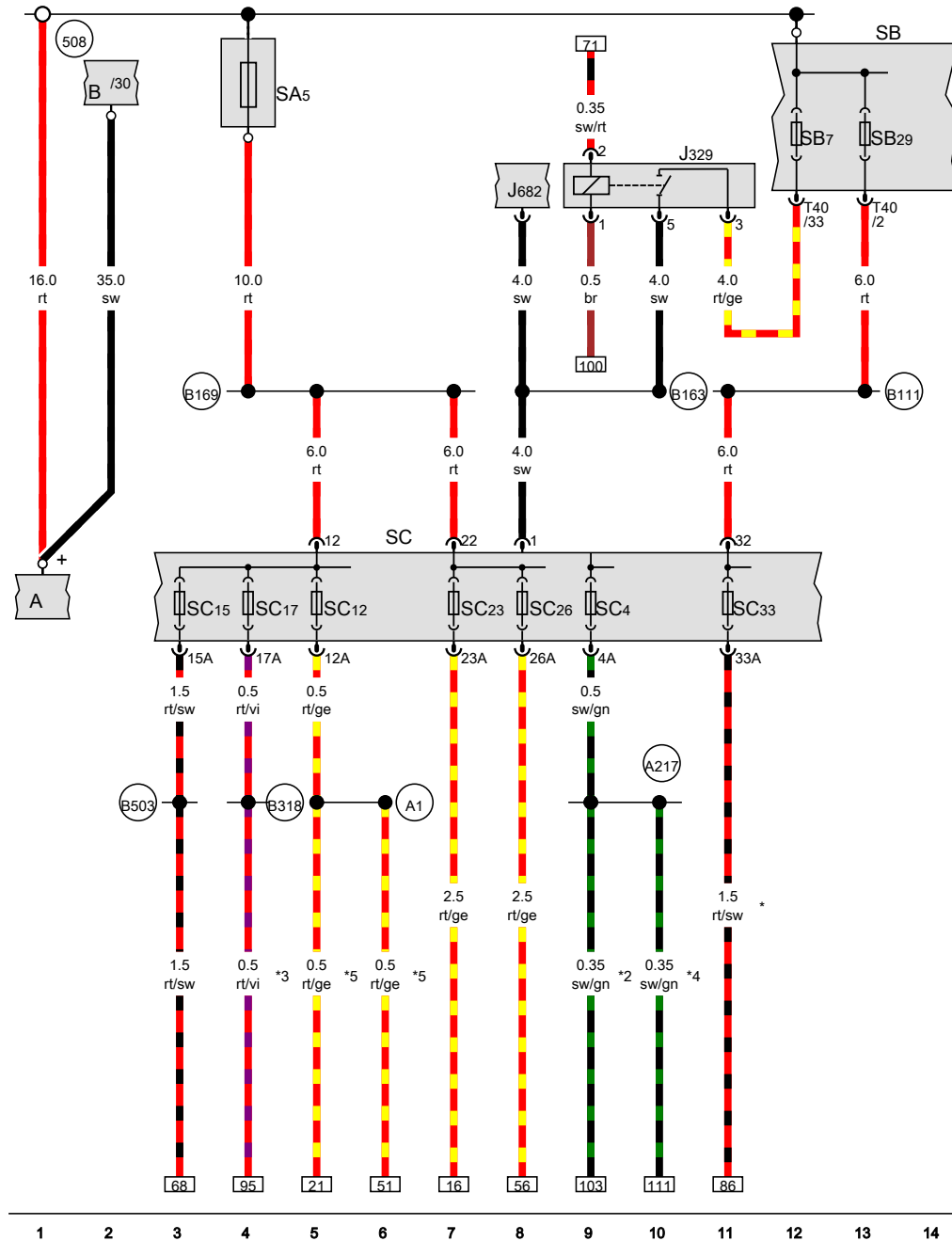






**Comfort system (NAR) , (0A1),(8G1)**

from November 2010



Terminal 15 power supply relay, Fuse panel B, Fuse 5 (on fuse panel A), Fuse panel C

- A Battery
- B Starter
- J329 Terminal 15 power supply relay
- J682 Terminal 50 power supply relay
- SB Fuse panel B
- SC4 Fuse 4 (on fuse panel C)
- SA5 Fuse 5 (on fuse panel A)
- SB7 Fuse 7 (on fuse panel B)
- SC12 Fuse 12 (on fuse panel C)
- SC15 Fuse 15 (on fuse panel C)
- SC17 Fuse 17 (on fuse panel C)
- SC23 Fuse 23 (on fuse panel C)
- SC26 Fuse 26 (on fuse panel C)
- SB29 Fuse 29 (on fuse panel B)
- SC Fuse panel C
- SC33 Fuse 33 (on fuse panel C)
- T40 40-pin connector

- (508) Terminal 30 threaded connection (on E-box)
- (A1) Positive connection (30a) (in instrument panel wiring harness)
- (A217) Positive connection 8 (15a) (in instrument panel wiring harness)
- (B111) Positive connection 1 (30a) (in interior wiring harness)
- (B163) Positive connection 1 (15) (in interior wiring harness)
- (B169) Positive connection 1 (30) (in interior wiring harness)
- (B318) Positive connection 4 (30a) (in main wiring harness)
- (B503) Positive connection 7 (30a) (in interior wiring harness)

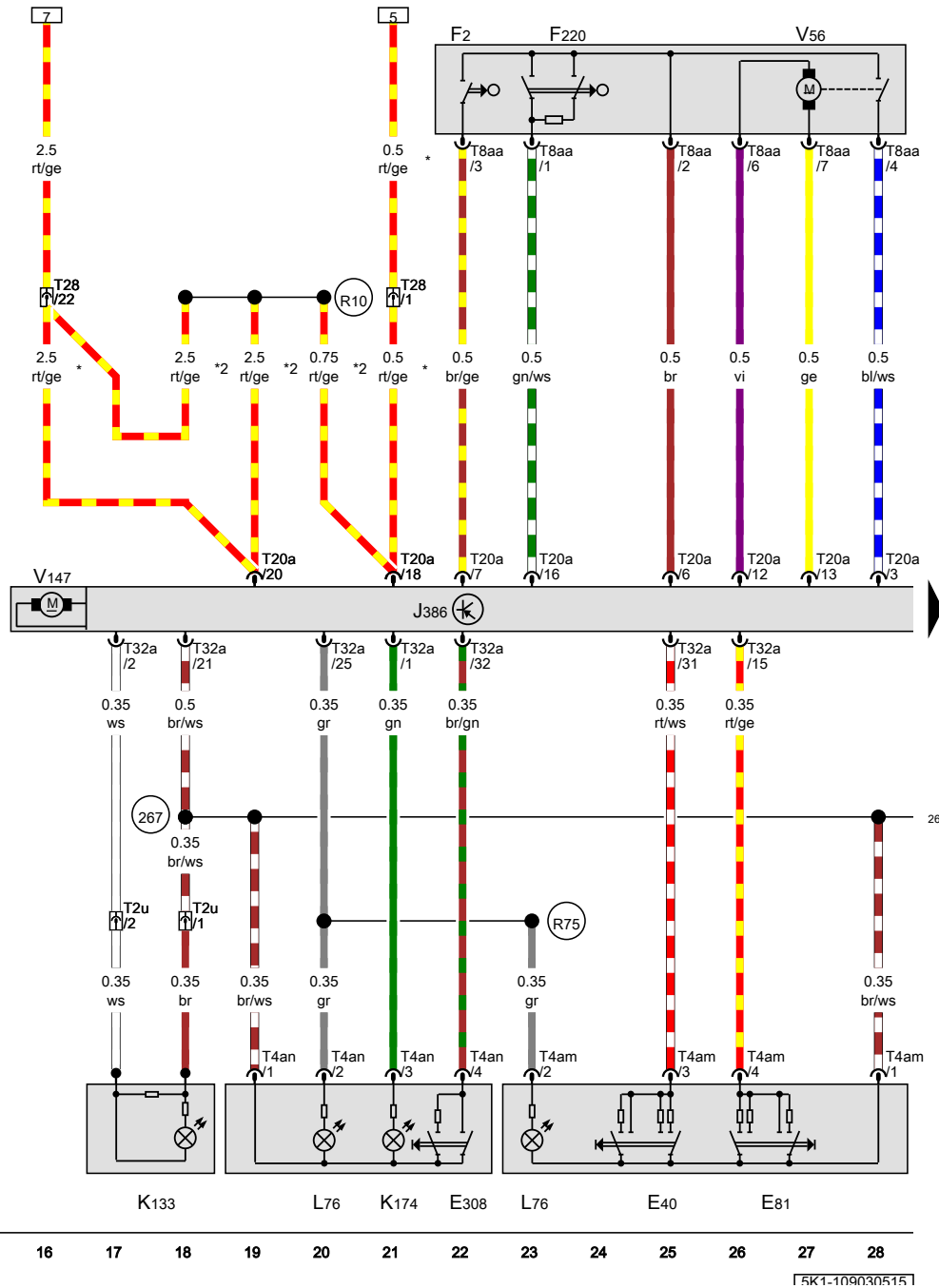
- \* Only for vehicles with a sunroof
- \*2 Only for vehicles with automatic dimming interior rearview mirror
- \*3 For vehicles with anti-theft alarm system
- \*4 Only for vehicles with high beam assist
- \*5 through April 2011

- ws = white
- sw = black
- ro = red
- rt = red
- br = brown
- gn = green
- bl = blue
- gr = grey
- li = lilac
- vi = lilac
- ge = yellow
- or = orange
- rs = pink

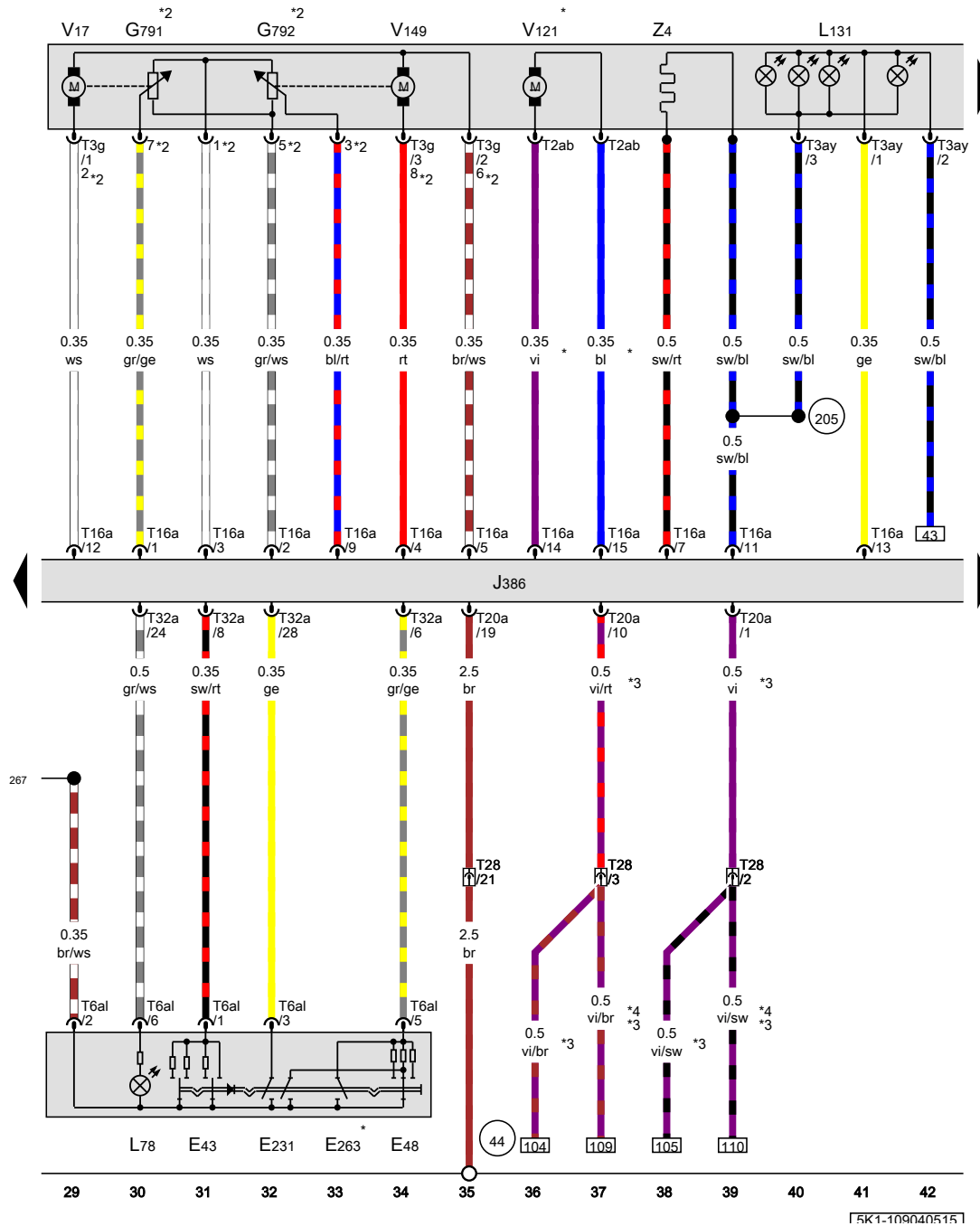
15K1-109020515

Left front window regulator switch, Right front power window switch in driver door, Driver interior locking button, Driver door contact switch, Driver central locking lock unit, Driver door control module, Central locking -SAFE- indicator lamp, Driver interior locking indicator lamp, Driver door central locking system motor, Driver window regulator motor

- E40 Left front window regulator switch
  - E81 Right front power window switch in driver door
  - E308 Driver interior locking button
  - F2 Driver door contact switch
  - F220 Driver central locking lock unit
  - J386 Driver door control module
  - K133 Central locking -SAFE- indicator lamp
  - K174 Driver interior locking indicator lamp
  - L76 Push button illumination bulb
  - T2u Double connector, in the driver door
  - T4am 4-pin connector
  - T4an 4-pin connector
  - T8aa 8-pin connector
  - T20a 20-pin connector
  - T28 28-pin connector, in the left A-pillar connector station
  - T32a 32-pin connector
  - V56 Driver door central locking system motor
  - V147 Driver window regulator motor
- (267) Ground connection 2 (in driver door wiring harness)
  - (R10) Positive connection 1 (30) (in driver door wiring harness)
  - (R75) Connection 58d (in door control module wiring harness) 1
- \* through April 2011  
 \*2 from May 2011



- ws = white
- sw = black
- ro = red
- rt = red
- br = brown
- gn = green
- bl = blue
- gr = grey
- li = lilac
- vi = lilac
- ge = yellow
- or = orange
- rs = pink

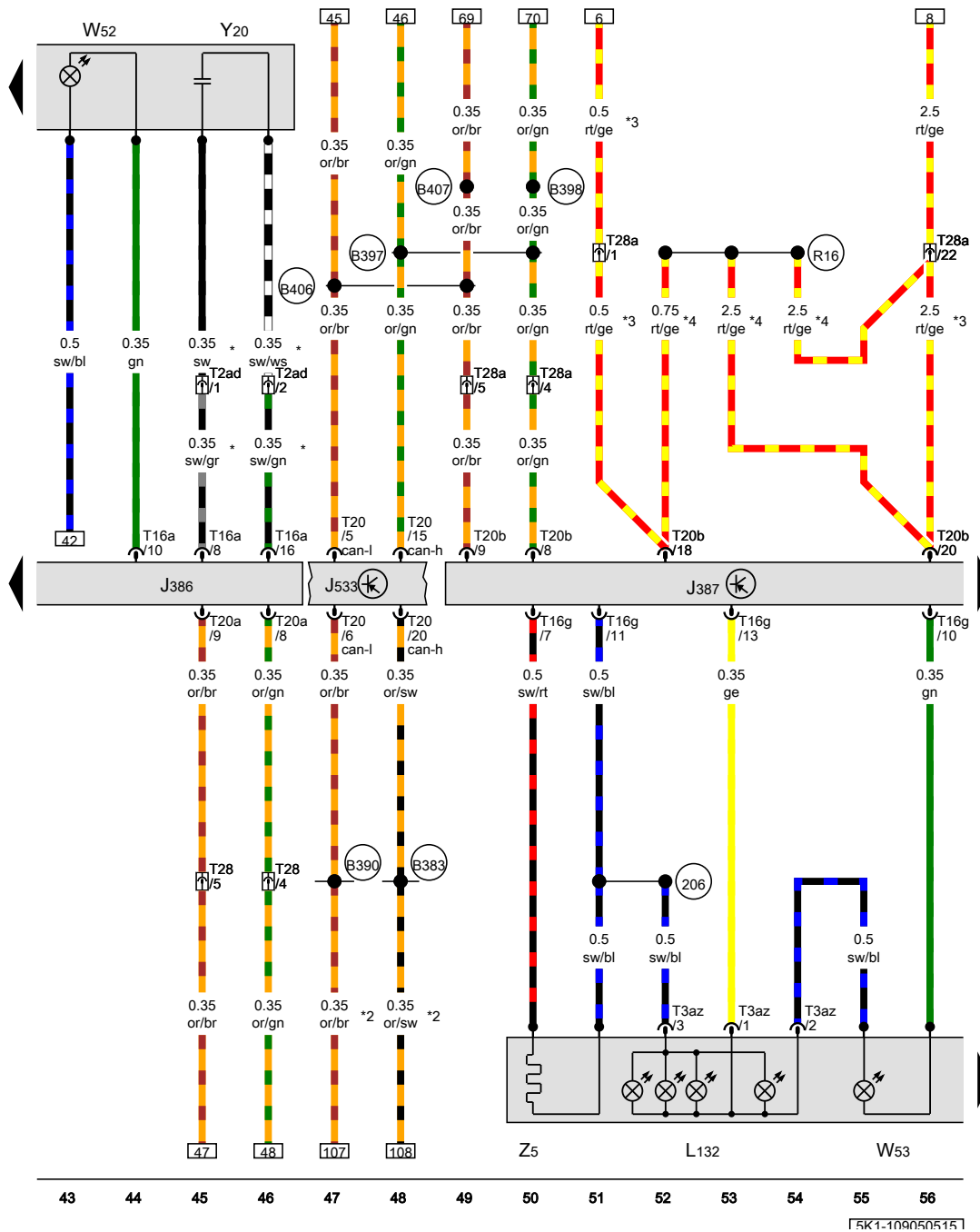


Mirror adjusting switch, Mirror selector switch, Exterior rearview mirror heating switch, Mirror folding switch, Exterior rearview mirror horizontal adjustment position sensor, Exterior rearview mirror vertical adjustment position sensor, Driver door control module, Driver exterior rearview mirror turn signal bulb, Driver mirror adjustment motor 2, Driver exterior rearview mirror folding motor, Heated driver exterior rearview mirror

- E43 Mirror adjusting switch
- E48 Mirror selector switch
- E231 Exterior rearview mirror heating switch
- E263 Mirror folding switch
- G791 Exterior rearview mirror horizontal adjustment position sensor
- G792 Exterior rearview mirror vertical adjustment position sensor
- J386 Driver door control module
- L78 Mirror adjustment switch illumination bulb
- L131 Driver exterior rearview mirror turn signal bulb
- T2ab Double connector
- T3ay 3-pin connector
- T3g 3-pin connector
- T6al 6-pin connector
- T16a 16-pin connector
- T20a 20-pin connector
- T28 28-pin connector, in the left A-pillar connector station
- T32a 32-pin connector
- V17 Driver mirror adjustment motor 2
- V121 Driver exterior rearview mirror folding motor
- V149 Driver mirror adjustment motor
- Z4 Heated driver exterior rearview mirror
- 44 Ground connection on A-pillar, lower left
- 205 Ground connection (in driver door wiring harness)
- 267 Ground connection 2 (in driver door wiring harness)

- ws = white
- sw = black
- ro = red
- rt = red
- br = brown
- gn = green
- bl = blue
- gr = grey
- li = lilac
- vi = lilac
- ge = yellow
- or = orange
- rs = pink

- \* Only for vehicles with folding mirrors
- \*2 Depending on equipment
- \*3 Only for vehicles with automatic dimming exterior rearview mirror
- \*4 Only for vehicles with high beam assist



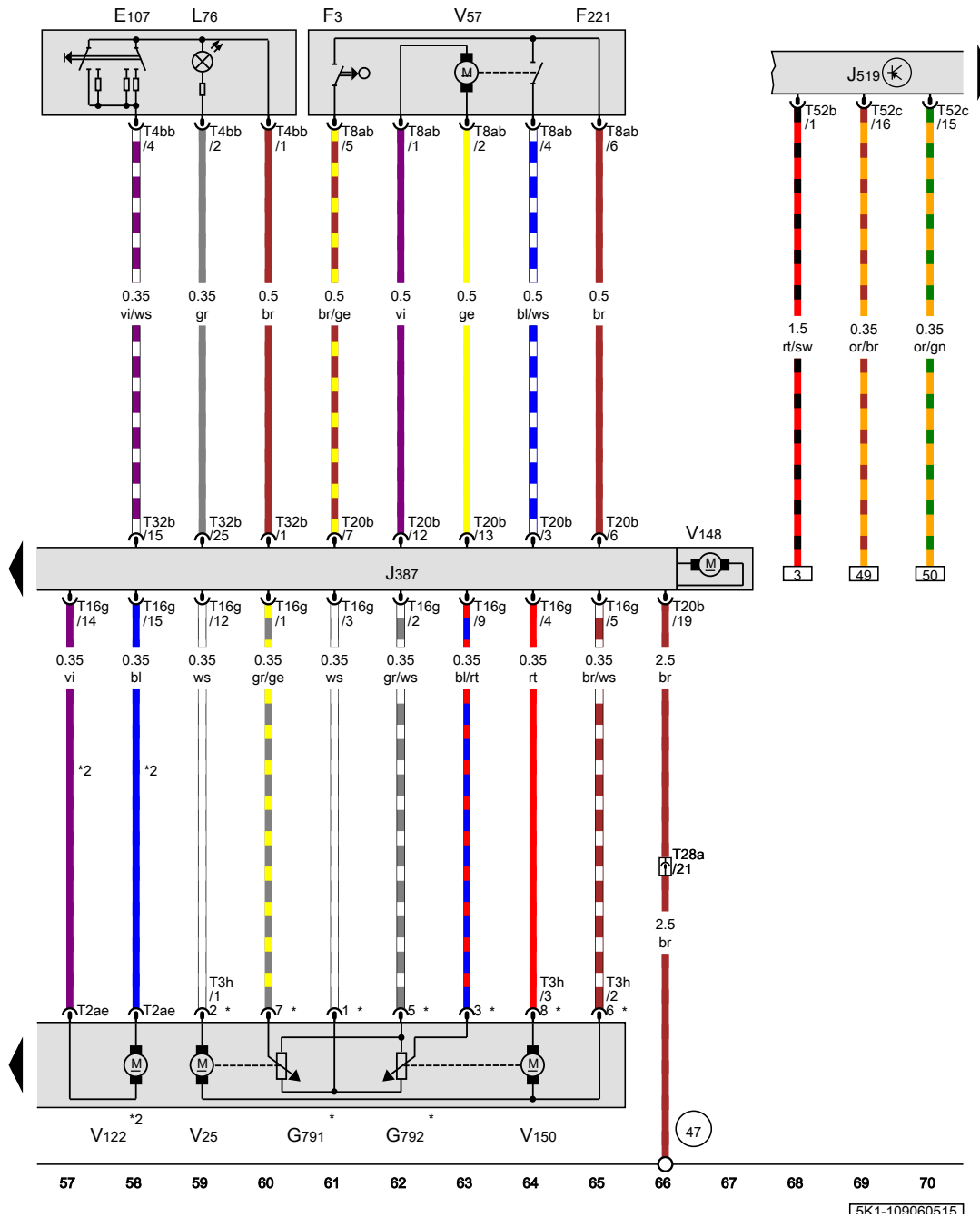
Driver door control module, Front passenger exterior rearview mirror turn signal bulb, Driver entry lamp in exterior rearview mirror, Front passenger entry lamp in exterior rearview mirror, Driver automatic dimming exterior rearview mirror, Heated front passenger exterior rearview mirror

- J386 Driver door control module
- J387 Front passenger door control module
- J533 Data bus on board diagnostic interface
- L132 Front passenger exterior rearview mirror turn signal bulb
- T2ad Double connector, on the mirror
- T3az 3-pin connector
- T16a 16-pin connector
- T16g 16-pin connector
- T20 20-pin connector
- T20a 20-pin connector
- T20b 20-pin connector
- T28 28-pin connector, in the left A-pillar connector station
- T28a 28-pin connector, in the connector station, right A-pillar
- W52 Driver entry lamp in exterior rearview mirror
- W53 Front passenger entry lamp in exterior rearview mirror
- Y20 Driver automatic dimming exterior rearview mirror
- Z5 Heated front passenger exterior rearview mirror

- (206) Ground connection (in front passenger door wiring harness)
- (B383) Powertrain CAN bus high connection 1 (in main wiring harness)
- (B390) Powertrain CAN bus low connection 1 (in main wiring harness)
- (B397) Comfort system CAN bus high connection 1 (in main wiring harness)
- (B398) Comfort system CAN bus high connection 2 (in main wiring harness)
- (B406) Comfort system CAN bus low connection 1 (in main wiring harness)
- (B407) Comfort system CAN bus low connection 2 (in main wiring harness)
- (R16) Positive connection 1 (30) (in front passenger door wiring harness)
- \* Only for vehicles with automatic dimming exterior rearview mirror
- \*2 Only for vehicles with high beam assist
- \*3 through April 2011
- \*4 from May 2011

- ws = white
- sw = black
- ro = red
- rt = red
- br = brown
- gn = green
- bl = blue
- gr = grey
- li = lilac
- vi = lilac
- ge = yellow
- or = orange
- rs = pink

15K1-1090505151



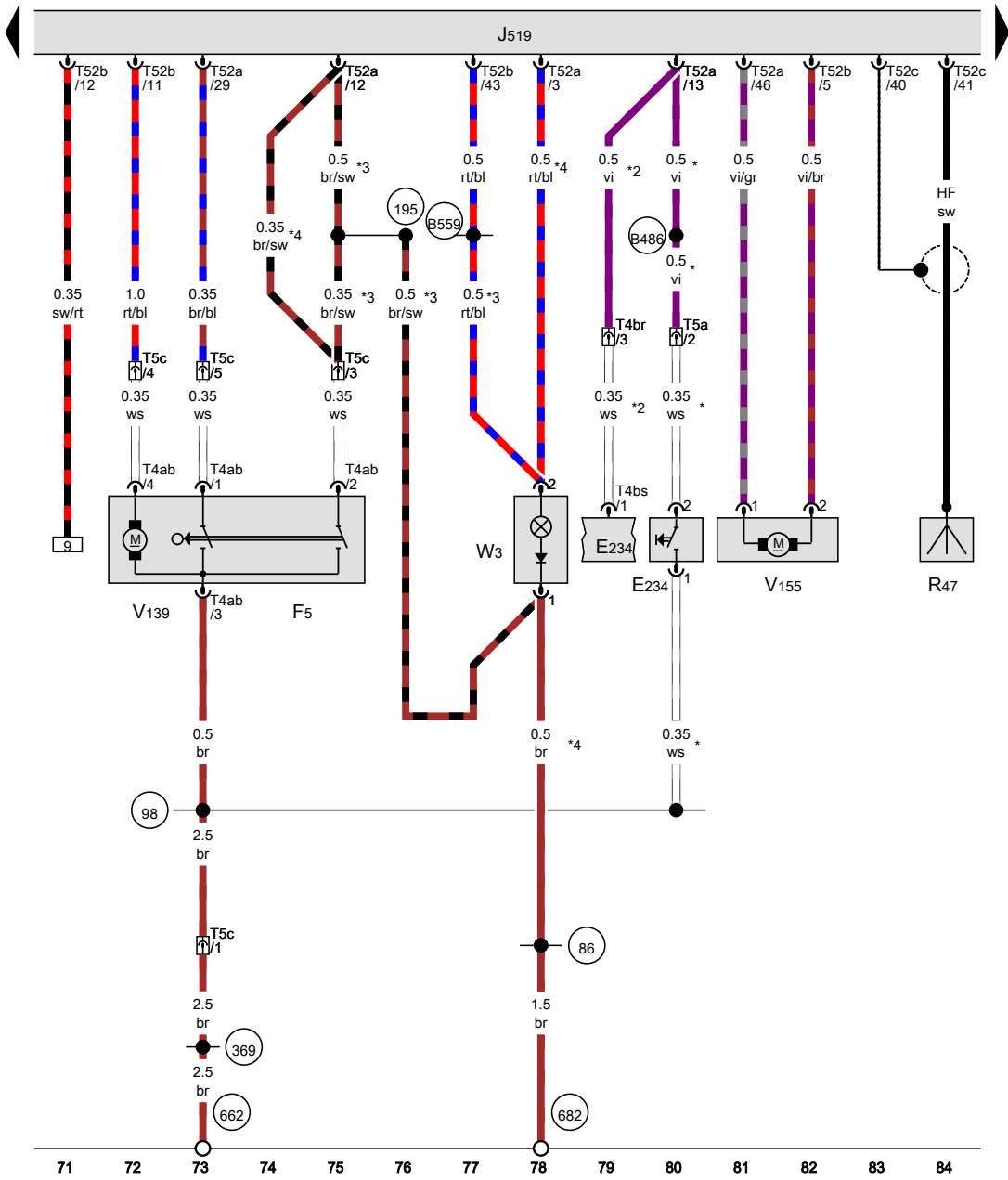
Front passenger door window regulator switch, Front passenger door contact switch, Front passenger central locking lock unit, Exterior rearview mirror horizontal adjustment position sensor, Exterior rearview mirror vertical adjustment position sensor, Front passenger side mirror adjustment motor 2, Front passenger door central locking system motor, Front passenger exterior rearview mirror folding motor, Front passenger window regulator motor

- E107 Front passenger door window regulator switch
- F3 Front passenger door contact switch
- F221 Front passenger central locking lock unit
- G791 Exterior rearview mirror horizontal adjustment position sensor
- G792 Exterior rearview mirror vertical adjustment position sensor
- J387 Front passenger door control module
- J519 Vehicle electrical control module system
- L76 Push button illumination bulb
- T2ae Double connector
- T3h 3-pin connector
- T4bb 4-pin connector
- T8ab 8-pin connector
- T16g 16-pin connector
- T20b 20-pin connector
- T28a 28-pin connector, in the connector station, right A-pillar
- T32b 32-pin connector
- T52b 52-pin connector
- T52c 52-pin connector
- V25 Front passenger side mirror adjustment motor 2
- V57 Front passenger door central locking system motor
- V122 Front passenger exterior rearview mirror folding motor
- V148 Front passenger window regulator motor
- V150 Front passenger mirror adjustment motor

47 Ground connection in right front footwell

\* Depending on equipment  
 \*2 Only for vehicles with folding mirrors

- ws = white
- sw = black
- ro = red
- rt = red
- br = brown
- gn = green
- bl = blue
- gr = grey
- li = lilac
- vi = lilac
- ge = yellow
- or = orange
- rs = pink



Release button in rear lid handle, Luggage compartment lamp switch, Central locking and anti-theft alarm system antenna, Rear lid unlock motor, Fuel filler door unlock motor, Luggage compartment lamp

- E234 Release button in rear lid handle
- F5 Luggage compartment lamp switch
- J519 Vehicle electrical control module system
- R47 Central locking and anti-theft alarm system antenna
- T4ab 4-pin connector
- T4br 4-pin connector, behind the right C-pillar trim panel
- T4bs 4-pin connector
- T5a 5-pin connector, in the left rear side panel
- T5c 5-pin connector, in the left rear side panel
- T52a 52-pin connector
- T52b 52-pin connector
- T52c 52-pin connector
- V139 Rear lid unlock motor
- V155 Fuel filler door unlock motor
- W3 Luggage compartment lamp

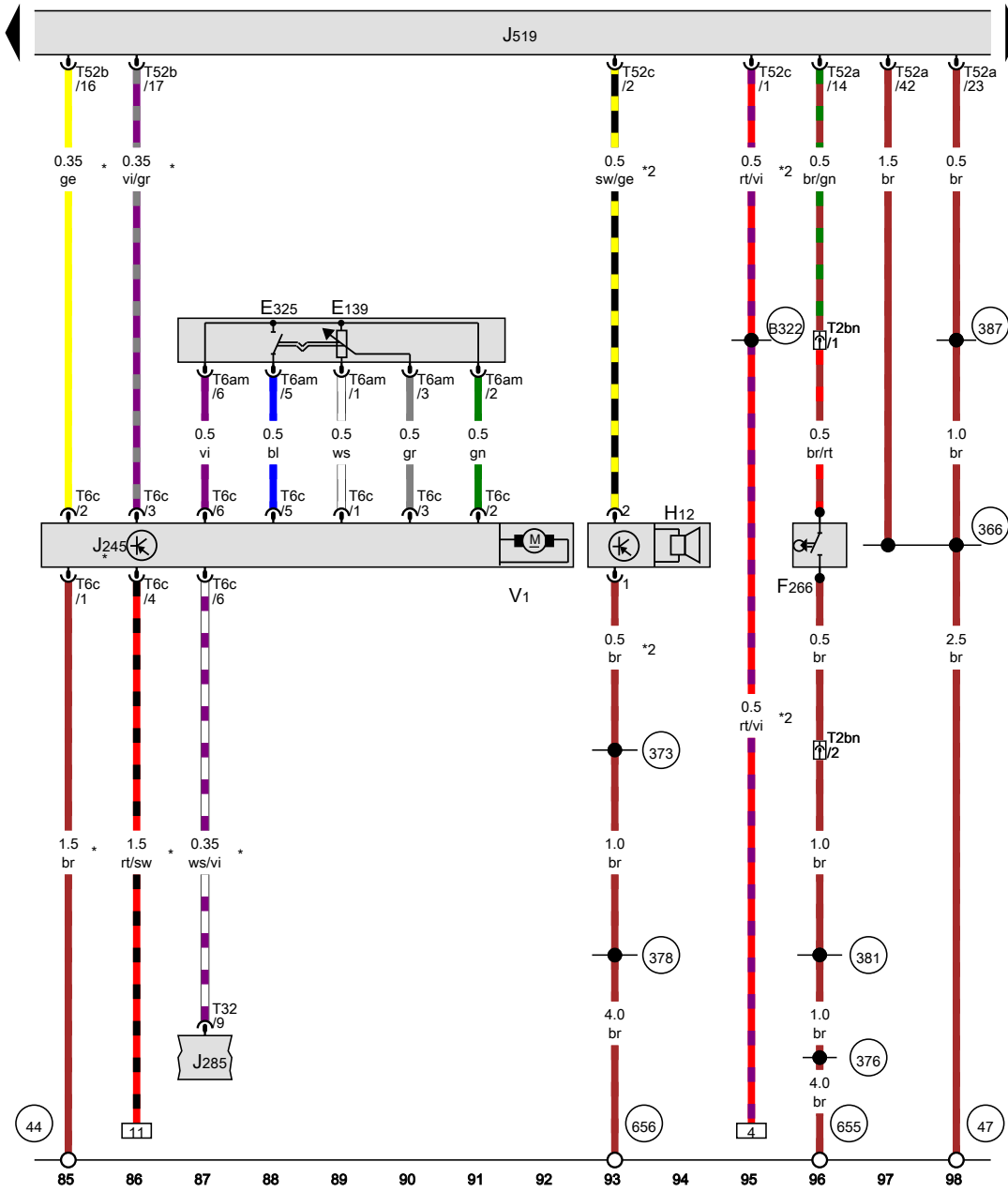
- 86 Ground connection 1 (in rear wiring harness)
- 98 Ground connection (in rear lid wiring harness)
- 195 Ground connection (in rear door contact switch wiring harness)
- 369 Ground connection 4 (in main wiring harness)
- 662 Ground connection in left rear side panel
- 682 Ground connection 2 in right rear side panel
- B486 Connection 22 (in main wiring harness)
- B559 Positive connection 1 (30g) (in main wiring harness)

- \* Only for vehicles without a rearview camera system
- \*2 Only for vehicles with a rearview camera system
- \*3 through April 2011
- \*4 from May 2011

- ws = white
- sw = black
- ro = red
- rt = red
- br = brown
- gn = green
- bl = blue
- gr = grey
- li = lilac
- vi = lilac
- ge = yellow
- or = orange
- rs = pink

15K1-1090705151



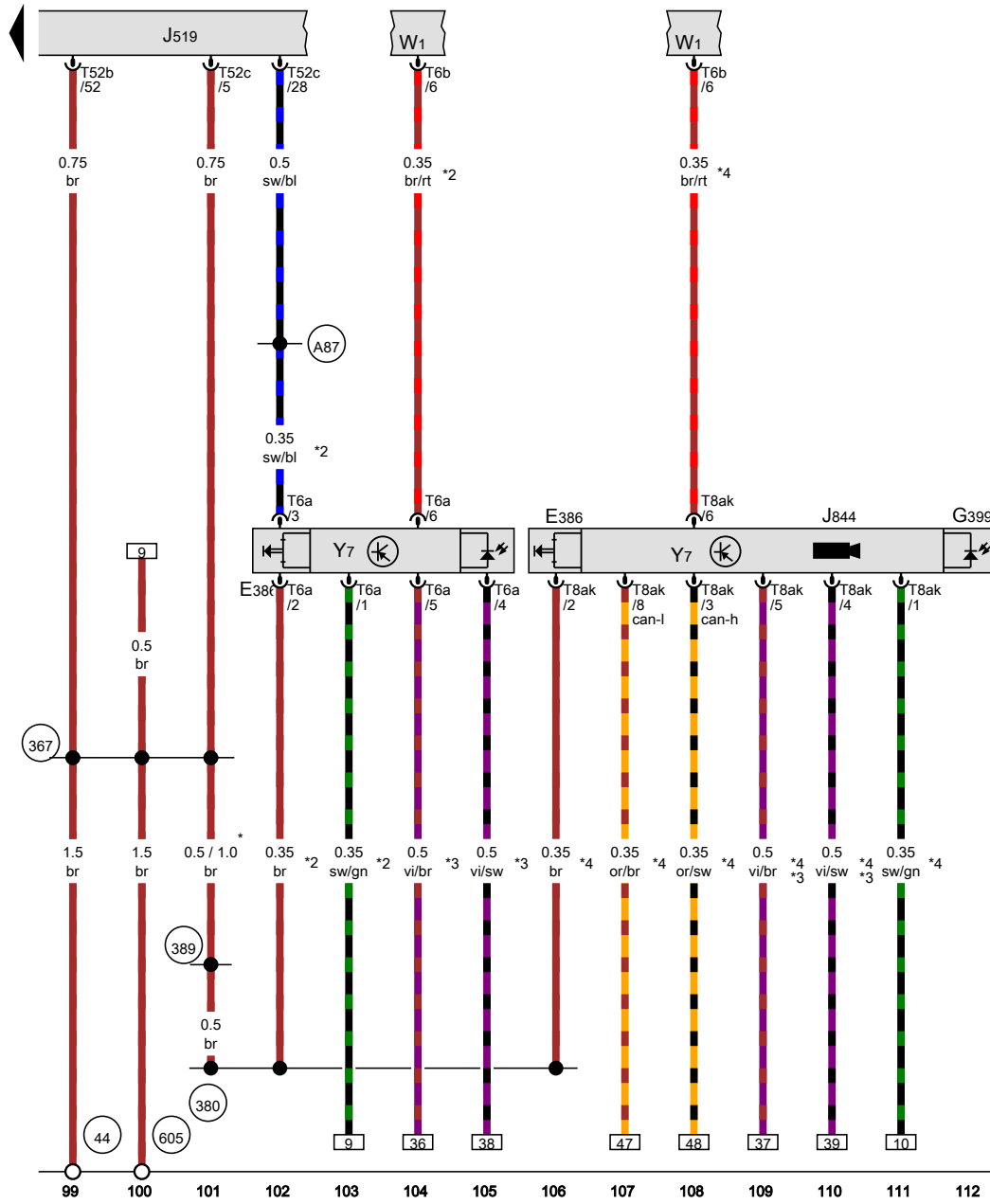


- ws = white
- sw = black
- ro = red
- rt = red
- br = brown
- gn = green
- bl = blue
- gr = grey
- li = lilac
- vi = lilac
- ge = yellow
- or = orange
- rs = pink

Sunroof adjustment regulator, Sunroof button, Engine hood contact switch, Alarm horn, Power sunroof control module, Sunroof motor

- E139 Sunroof adjustment regulator
  - E325 Sunroof button
  - F266 Engine hood contact switch
  - H12 Alarm horn
  - J245 Power sunroof control module
  - J285 Instrument cluster control module
  - J519 Vehicle electrical control module system
  - T2bn Double connector, near the left headlamp
  - T6am 6-pin connector
  - T6c 6-pin connector
  - T32 32-pin connector
  - T52a 52-pin connector
  - T52b 52-pin connector
  - T52c 52-pin connector
  - V1 Sunroof motor
- 
- (44) Ground connection on A-pillar, lower left
  - (47) Ground connection in right front footwell
  - (366) Ground connection 1 (in main wiring harness)
  - (373) Ground connection 8 (in main wiring harness)
  - (376) Ground connection 11 (in main wiring harness)
  - (378) Ground connection 13 (in main wiring harness)
  - (381) Ground connection 16 (in main wiring harness)
  - (387) Ground connection 22 (in main wiring harness)
  - (655) Ground connection on left headlamp
  - (656) Ground connection on right headlamp
  - (B322) Positive connection 8 (30a) (in main wiring harness)
- \* Only for vehicles with a sunroof  
 \*2 For vehicles with anti-theft alarm system

15K1-109080515



Automatic dimming interior rearview mirror switch, Light recognition sensor, Automatic high beam assist control module, Automatic dimming interior rearview mirror

- E386 Automatic dimming interior rearview mirror switch
- G399 Light recognition sensor
- J519 Vehicle electrical control module system
- J844 Automatic high beam assist control module
- T6a 6-pin connector
- T6b 6-pin connector
- T8ak 8-pin connector
- T52b 52-pin connector
- T52c 52-pin connector
- W1 Front interior lamp
- Y7 Automatic dimming interior rearview mirror

- 44 Ground connection on A-pillar, lower left
- 367 Ground connection 2 (in main wiring harness)
- 380 Ground connection 15 (in main wiring harness)
- 389 Ground connection 24 (in main wiring harness)
- 605 Ground connection on upper steering column
- A87 Back-up lamp connection (in instrument panel wiring harness)

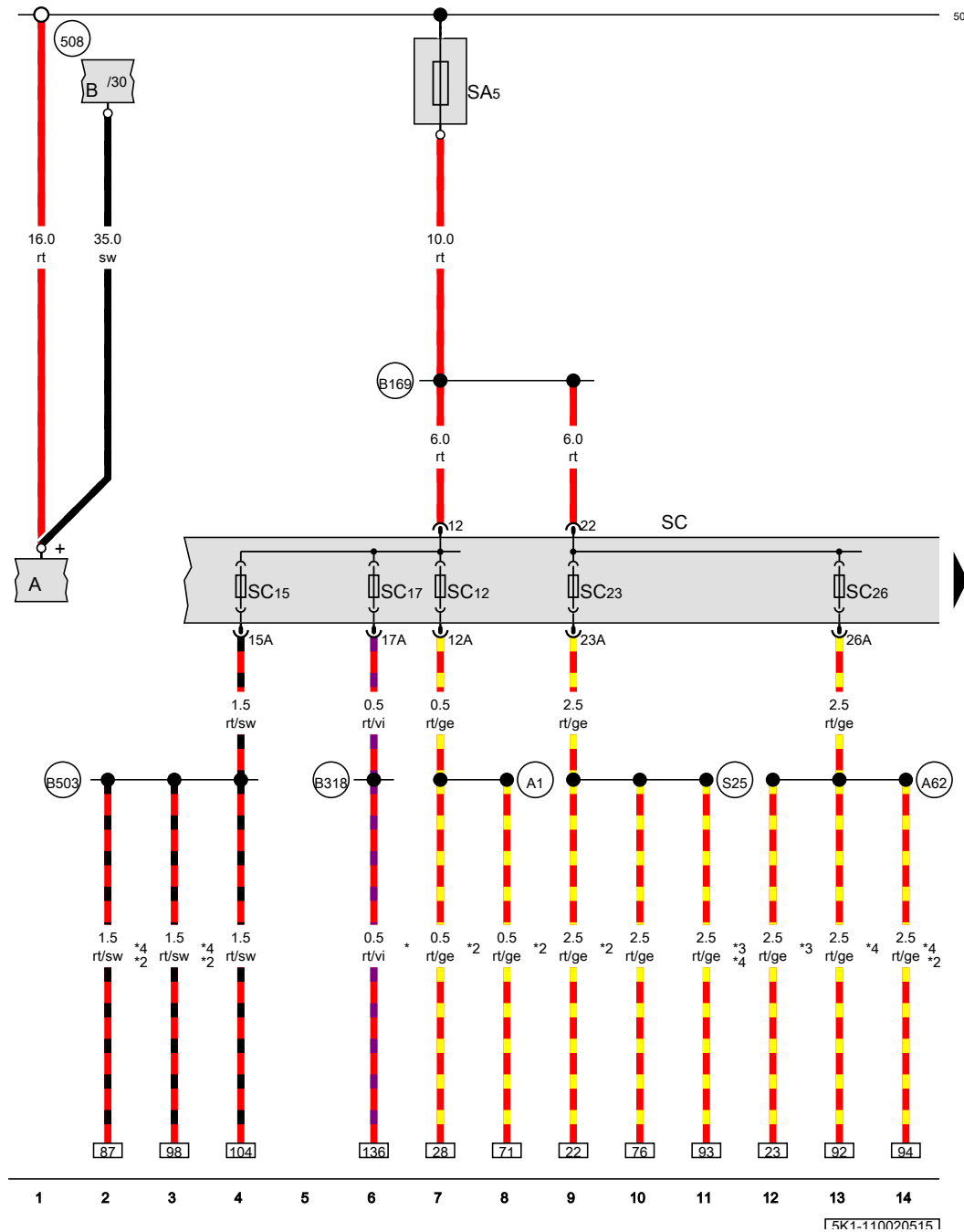
- \* from May 2011
- \*2 Only for vehicles with automatic dimming interior rearview mirror
- \*3 Only for vehicles with automatic dimming exterior rearview mirror
- \*4 Only for vehicles with high beam assist

- ws = white
- sw = black
- ro = red
- rt = red
- br = brown
- gn = green
- bl = blue
- gr = grey
- li = lilac
- vi = lilac
- ge = yellow
- or = orange
- rs = pink

15K1-1090905151

**Comfort system (NAR) , (0A2),(8G1)**

from November 2010



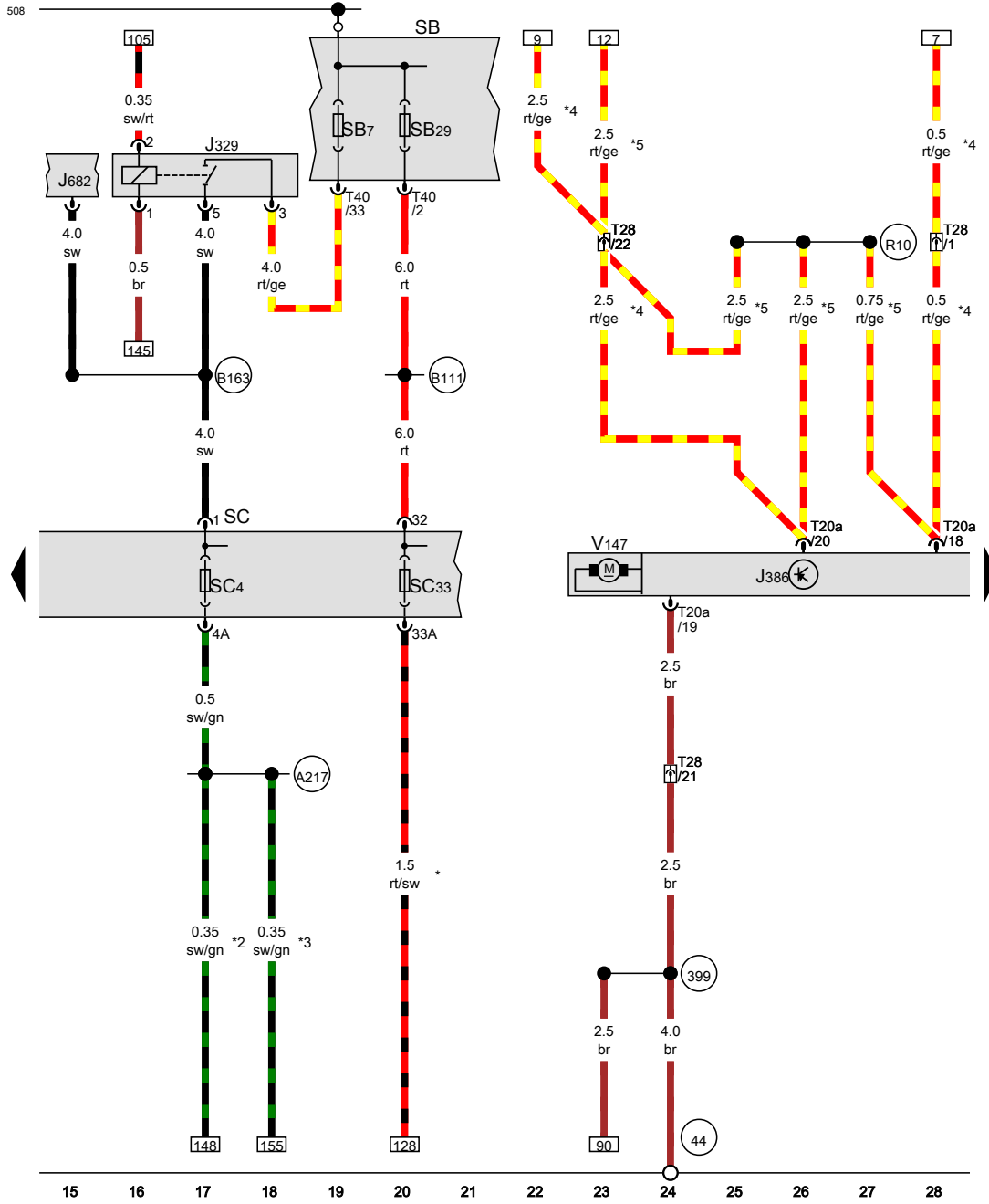
Fuse 5 (on fuse panel A), Fuse panel C

- A Battery
- B Starter
- SA5 Fuse 5 (on fuse panel A)
- SC Fuse panel C
- SC12 Fuse 12 (on fuse panel C)
- SC15 Fuse 15 (on fuse panel C)
- SC17 Fuse 17 (on fuse panel C)
- SC23 Fuse 23 (on fuse panel C)
- SC26 Fuse 26 (on fuse panel C)

- (508) Terminal 30 threaded connection (on E-box)
- (A1) Positive connection (30a) (in instrument panel wiring harness)
- (A62) Power window connection (in instrument panel wiring harness)
- (B169) Positive connection 1 (30) (in interior wiring harness)
- (B318) Positive connection 4 (30a) (in main wiring harness)
- (B503) Positive connection 7 (30a) (in interior wiring harness)
- (S25) Positive connection (30a) (in central locking system wiring harness)
- \* For vehicles with anti-theft alarm system
- \*2 through April 2011
- \*3 from May 2011
- \*4 Only for vehicles with rear power windows

- ws = white
- sw = black
- ro = red
- rt = red
- br = brown
- gn = green
- bl = blue
- gr = grey
- li = lilac
- vi = lilac
- ge = yellow
- or = orange
- rs = pink

15K1-110020515



Terminal 15 power supply relay, Driver door control module, Fuse panel B, Fuse panel C, Driver window regulator motor

- J329 Terminal 15 power supply relay
- J386 Driver door control module
- J682 Terminal 50 power supply relay
- SB Fuse panel B
- SC Fuse panel C
- SC4 Fuse 4 (on fuse panel C)
- SB7 Fuse 7 (on fuse panel B)
- SB29 Fuse 29 (on fuse panel B)
- SC33 Fuse 33 (on fuse panel C)
- T20a 20-pin connector
- T28 28-pin connector, in the left A-pillar connector station
- T40 40-pin connector
- V147 Driver window regulator motor

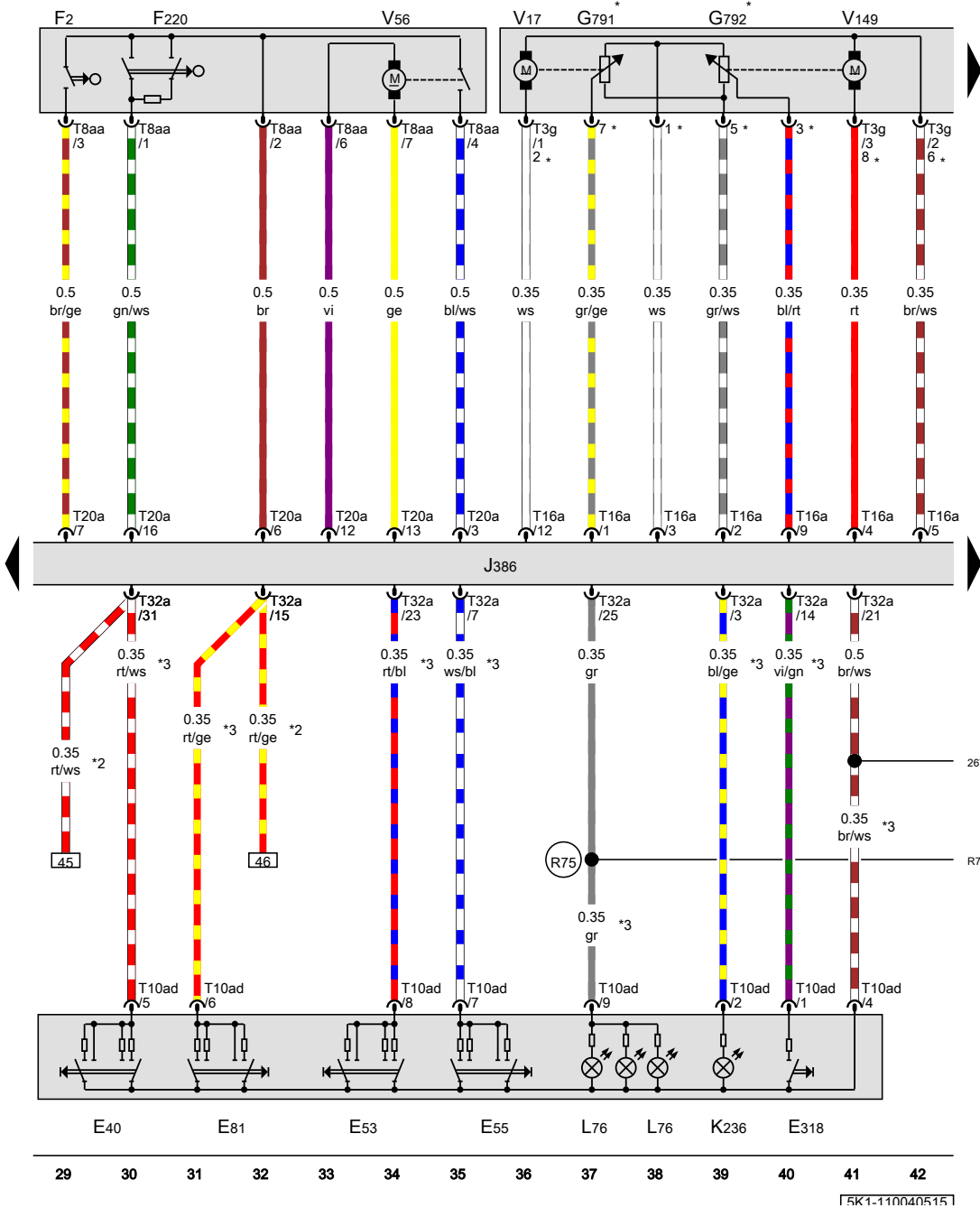
- 44 Ground connection on A-pillar, lower left
- 399 Ground connection 34 (in main wiring harness)
- 508 Terminal 30 threaded connection (on E-box)
- A217 Positive connection 8 (15a) (in instrument panel wiring harness)
- B111 Positive connection 1 (30a) (in interior wiring harness)
- B163 Positive connection 1 (15) (in interior wiring harness)
- R10 Positive connection 1 (30) (in driver door wiring harness)

- \* Only for vehicles with a sunroof
- \*2 Only for vehicles with automatic dimming interior rearview mirror
- \*3 Only for vehicles with high beam assist
- \*4 through April 2011
- \*5 from May 2011

- ws = white
- sw = black
- ro = red
- rt = red
- br = brown
- gn = green
- bl = blue
- gr = grey
- li = lilac
- vi = lilac
- ge = yellow
- or = orange
- rs = pink

1FK1-110030515

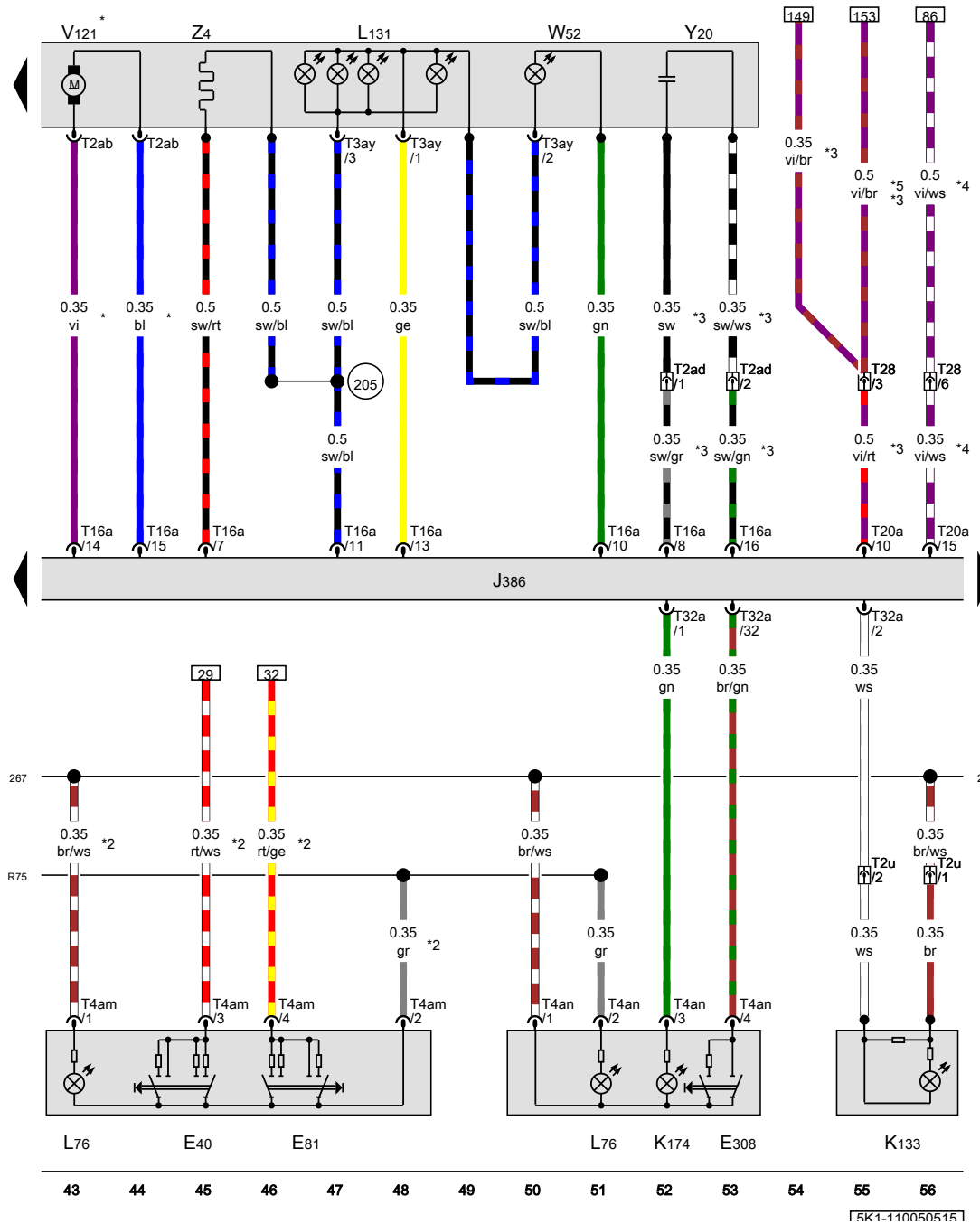
Left front window regulator switch, Left rear window regulator switch in driver door, Right rear window regulator switch in driver door, Right front power window switch in driver door, Child safety lock button, Driver door contact switch, Driver central locking lock unit, Exterior rearview mirror horizontal adjustment position sensor, Exterior rearview mirror vertical adjustment position sensor, Driver door control module, Driver mirror adjustment motor 2, Driver door central locking system motor



- E40 Left front window regulator switch
- E53 Left rear window regulator switch in driver door
- E55 Right rear window regulator switch in driver door
- E81 Right front power window switch in driver door
- E318 Child safety lock button
- F2 Driver door contact switch
- F220 Driver central locking lock unit
- G791 Exterior rearview mirror horizontal adjustment position sensor
- G792 Exterior rearview mirror vertical adjustment position sensor
- J386 Driver door control module
- K236 Child safety lock -activated- indicator lamp
- L76 Push button illumination bulb
- T3g 3-pin connector
- T8aa 8-pin connector
- T10ad 10-pin connector
- T16a 16-pin connector
- T20a 20-pin connector
- T32a 32-pin connector
- V17 Driver mirror adjustment motor 2
- V56 Driver door central locking system motor
- V149 Driver mirror adjustment motor

- 267 Ground connection 2 (in driver door wiring harness)
- R75 Connection 58d (in door control module wiring harness) 1
- \* Depending on equipment
- \*2 Only for vehicles with front power windows
- \*3 Only for vehicles with rear power windows

- ws = white
- sw = black
- ro = red
- rt = red
- br = brown
- gn = green
- bl = blue
- gr = grey
- li = lilac
- vi = lilac
- ge = yellow
- or = orange
- rs = pink



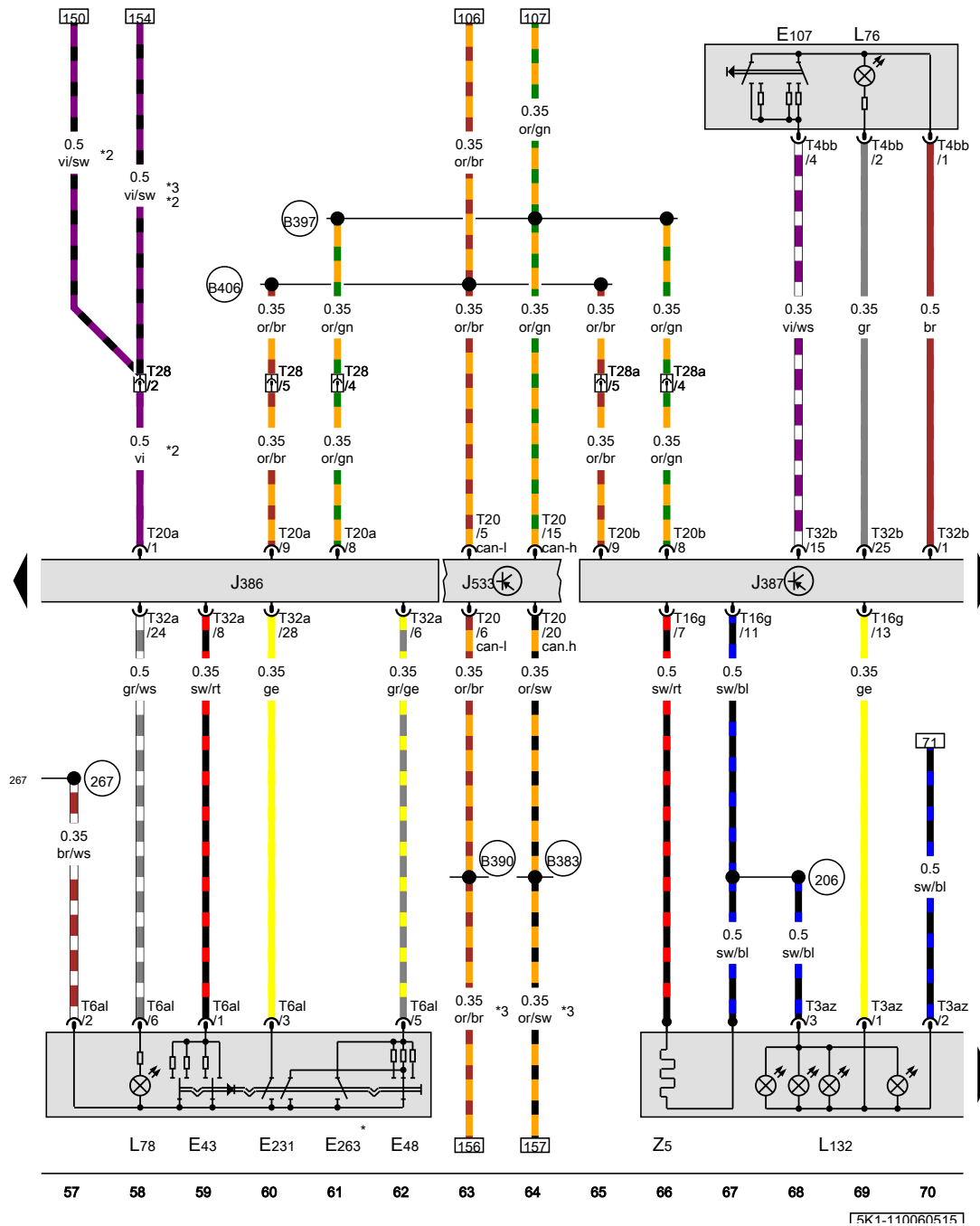
Left front window regulator switch, Right front power window switch in driver door, Driver interior locking button, Driver door control module, Central locking -SAFE- indicator lamp, Driver exterior rearview mirror turn signal bulb, Driver exterior rearview mirror folding motor, Driver entry lamp in exterior rearview mirror, Driver automatic dimming exterior rearview mirror, Heated driver exterior rearview mirror

- E40 Left front window regulator switch
- E81 Right front power window switch in driver door
- E308 Driver interior locking button
- J386 Driver door control module
- K133 Central locking -SAFE- indicator lamp
- K174 Driver interior locking indicator lamp
- L76 Push button illumination bulb
- L131 Driver exterior rearview mirror turn signal bulb
- T2ab Double connector
- T2ad Double connector, on the mirror
- T2u Double connector, in the driver door
- T3ay 3-pin connector
- T4am 4-pin connector
- T4an 4-pin connector
- T16a 16-pin connector
- T20a 20-pin connector
- T28 28-pin connector, in the left A-pillar connector station
- T32a 32-pin connector
- V121 Driver exterior rearview mirror folding motor
- W52 Driver entry lamp in exterior rearview mirror
- Y20 Driver automatic dimming exterior rearview mirror
- Z4 Heated driver exterior rearview mirror

- (205) Ground connection (in driver door wiring harness)
- (267) Ground connection 2 (in driver door wiring harness)
- (R75) Connection 58d (in door control module wiring harness) 1

- \* Only for vehicles with folding mirrors
- \*2 Only for vehicles with front power windows
- \*3 Only for vehicles with automatic dimming exterior rearview mirror
- \*4 Only for vehicles with rear power windows
- \*5 Only for vehicles with high beam assist
- ws = white
- sw = black
- ro = red
- rt = red
- br = brown
- gn = green
- bl = blue
- gr = grey
- li = lilac
- vi = lilac
- ge = yellow
- or = orange
- rs = pink

15K1-110050515



Mirror adjusting switch, Mirror selector switch, Front passenger door window regulator switch, Exterior rearview mirror heating switch, Mirror folding switch, Driver door control module, Front passenger exterior rearview mirror turn signal bulb, Heated front passenger exterior rearview mirror

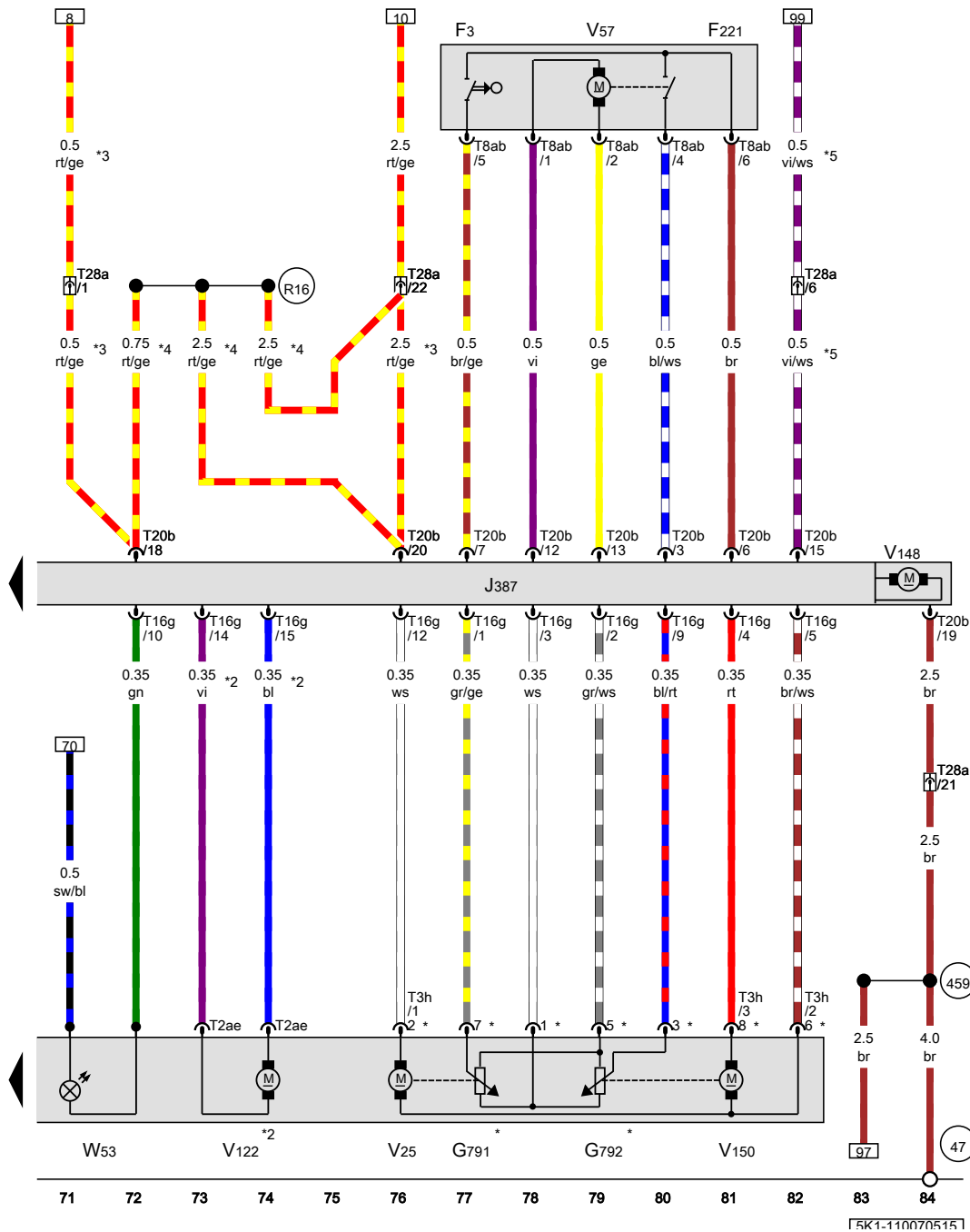
- E43 Mirror adjusting switch
- E48 Mirror selector switch
- E107 Front passenger door window regulator switch
- E231 Exterior rearview mirror heating switch
- E263 Mirror folding switch
- J386 Driver door control module
- J387 Front passenger door control module
- J533 Data bus on board diagnostic interface
- L76 Push button illumination bulb
- L78 Mirror adjustment switch illumination bulb
- L132 Front passenger exterior rearview mirror turn signal bulb
- T3az 3-pin connector
- T4bb 4-pin connector
- T6al 6-pin connector
- T16g 16-pin connector
- T20 20-pin connector
- T20a 20-pin connector
- T20b 20-pin connector
- T28 28-pin connector, in the left A-pillar connector station
- T28a 28-pin connector, in the connector station, right A-pillar
- T32a 32-pin connector
- T32b 32-pin connector
- Z5 Heated front passenger exterior rearview mirror

- 206 Ground connection (in front passenger door wiring harness)
- 267 Ground connection 2 (in driver door wiring harness)
- B383 Powertrain CAN bus high connection 1 (in main wiring harness)
- B390 Powertrain CAN bus low connection 1 (in main wiring harness)
- B397 Comfort system CAN bus high connection 1 (in main wiring harness)
- B406 Comfort system CAN bus low connection 1 (in main wiring harness)

ws = white  
 sw = black  
 ro = red  
 rt = red  
 br = brown  
 gn = green  
 bl = blue  
 gr = grey  
 li = lilac  
 vi = lilac  
 ge = yellow  
 or = orange  
 rs = pink

- \* Only for vehicles with folding mirrors
- \*2 Only for vehicles with automatic dimming exterior rearview mirror
- \*3 Only for vehicles with high beam assist





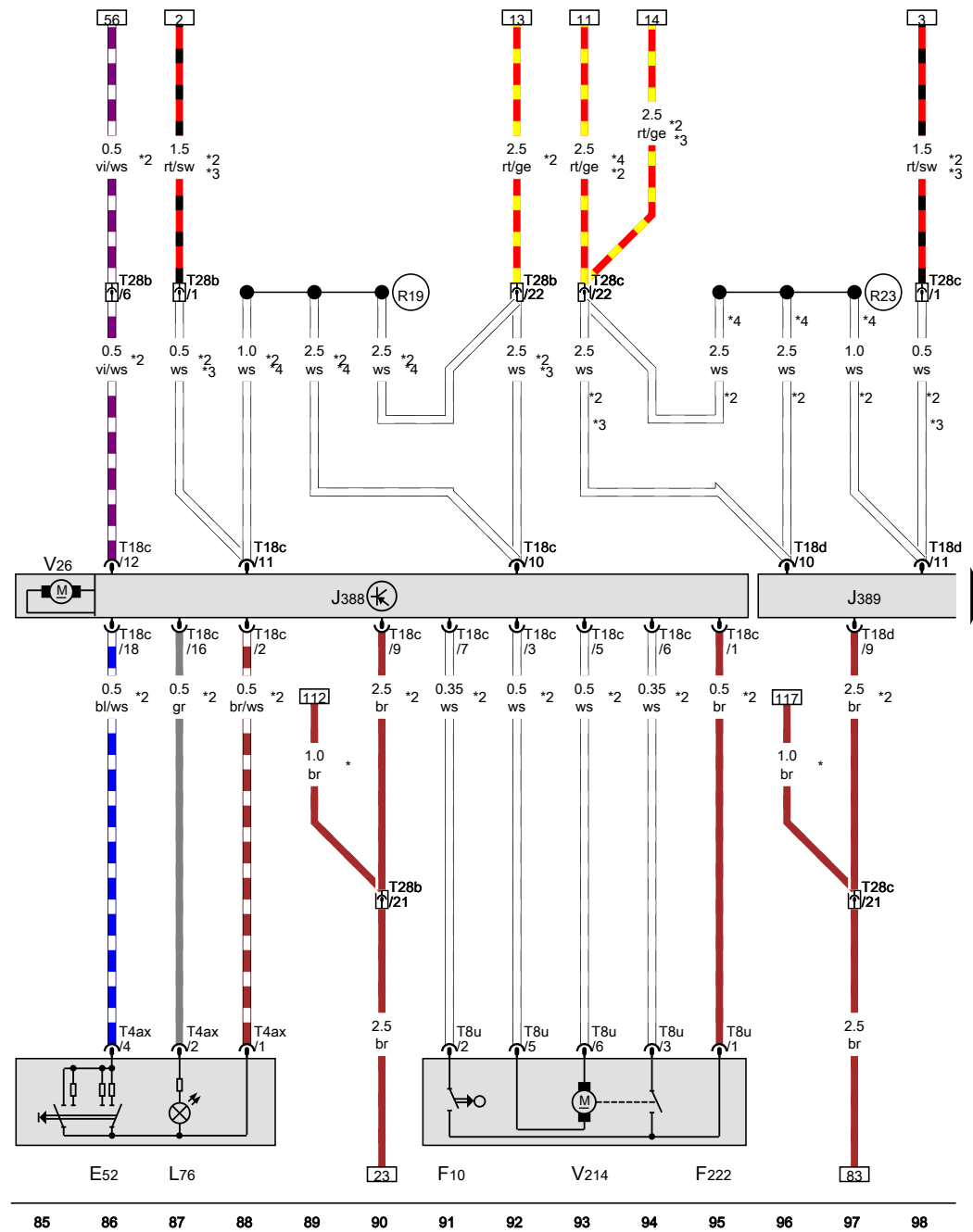
Front passenger door contact switch, Front passenger central locking lock unit, Exterior rearview mirror horizontal adjustment position sensor, Exterior rearview mirror vertical adjustment position sensor, Front passenger side mirror adjustment motor 2, Front passenger door central locking system motor, Front passenger exterior rearview mirror folding motor, Front passenger window regulator motor, Front passenger entry lamp in exterior rearview mirror

- F3 Front passenger door contact switch
- F221 Front passenger central locking lock unit
- G791 Exterior rearview mirror horizontal adjustment position sensor
- G792 Exterior rearview mirror vertical adjustment position sensor
- J387 Front passenger door control module
- T2ae Double connector
- T3h 3-pin connector
- T8ab 8-pin connector
- T16g 16-pin connector
- T20b 20-pin connector
- T28a 28-pin connector, in the connector station, right A-pillar
- V25 Front passenger side mirror adjustment motor 2
- V57 Front passenger door central locking system motor
- V122 Front passenger exterior rearview mirror folding motor
- V148 Front passenger window regulator motor
- V150 Front passenger mirror adjustment motor
- W53 Front passenger entry lamp in exterior rearview mirror

- (47) Ground connection in right front footwell
- (459) Ground connection 15 (in interior wiring harness)
- (R16) Positive connection 1 (30) (in front passenger door wiring harness)
- \* Depending on equipment
- \*2 Only for vehicles with folding mirrors
- \*3 through April 2011
- \*4 from May 2011
- \*5 Only for vehicles with rear power windows

- ws = white
- sw = black
- ro = red
- rt = red
- br = brown
- gn = green
- bl = blue
- gr = grey
- li = lilac
- vi = lilac
- ge = yellow
- or = orange
- rs = pink

15K1-1100705151



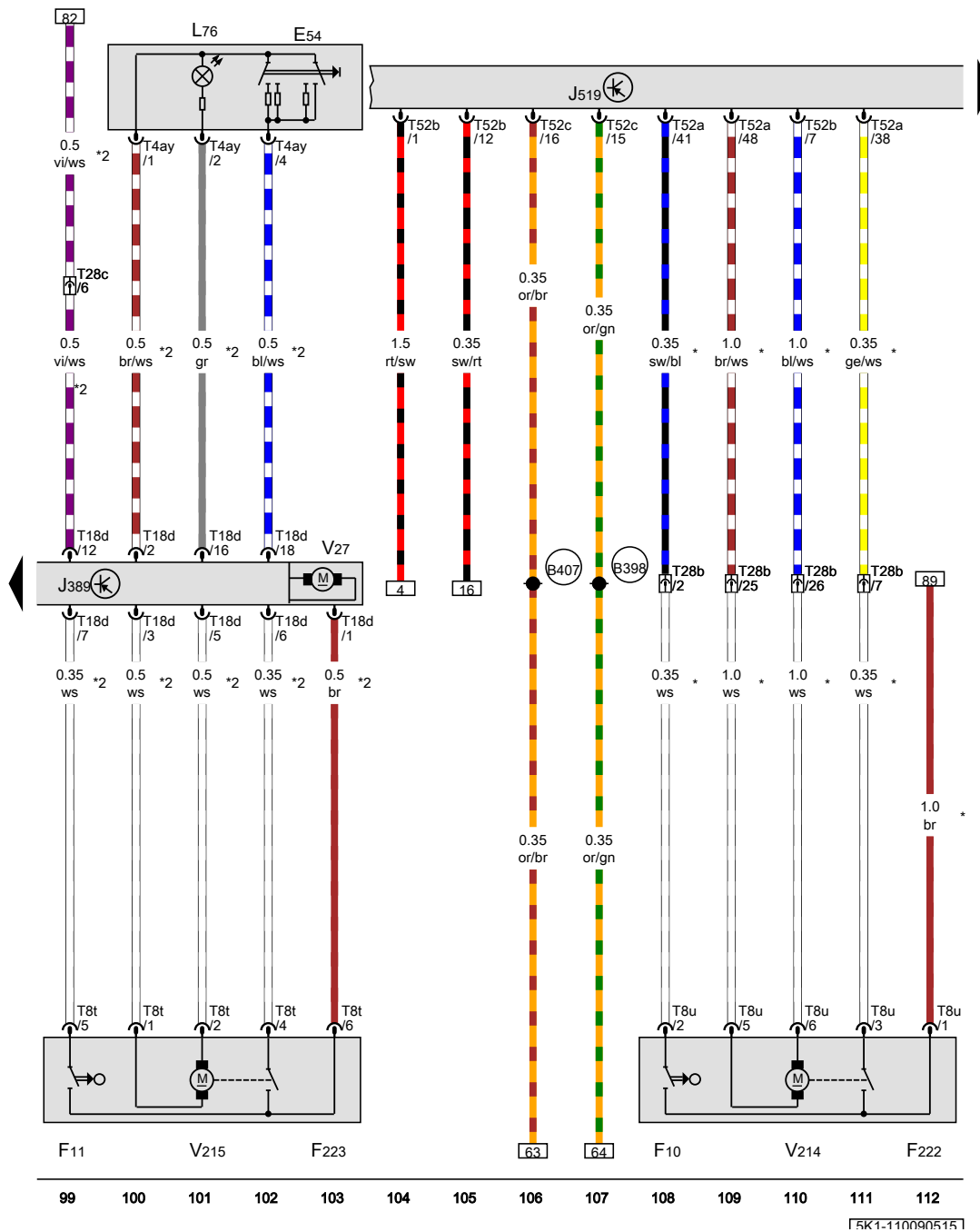
Left rear power window switch in left rear door, Left rear door contact switch, Left rear central locking lock unit, Left rear door control module, Right rear door control module, Left rear window regulator motor, Left rear central locking -lock-motor

- E52 Left rear power window switch in left rear door
- F10 Left rear door contact switch
- F222 Left rear central locking lock unit
- J388 Left rear door control module
- J389 Right rear door control module
- L76 Push button illumination bulb
- T4ax 4-pin connector
- T8u 8-pin connector
- T18c 18-pin connector
- T18d 18-pin connector
- T28b 28-pin connector, behind the lower left B-pillar trim
- T28c 28-pin connector, behind the lower right B-pillar trim
- V26 Left rear window regulator motor
- V214 Left rear central locking -lock- motor
- (R19) Positive connection 1 (30) (in left rear door wiring harness)
- (R23) Positive connection 1 (30) (in right rear door wiring harness)

- \* Only for vehicles with front power windows
- \*2 Only for vehicles with rear power windows
- \*3 through April 2011
- \*4 from May 2011

- ws = white
- sw = black
- ro = red
- rt = red
- br = brown
- gn = green
- bl = blue
- gr = grey
- li = lilac
- vi = lilac
- ge = yellow
- or = orange
- rs = pink

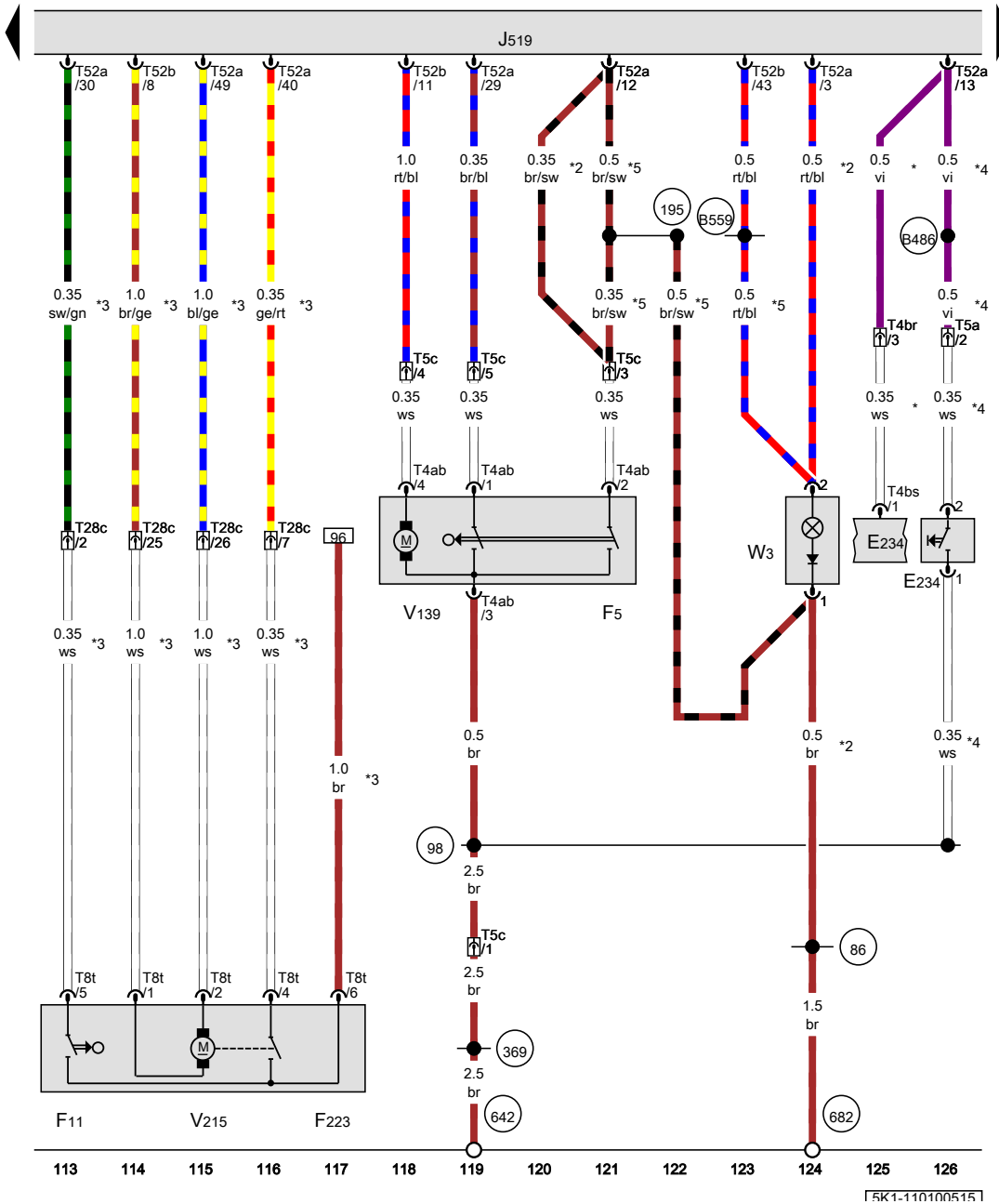
15K1-110080515



Right rear window switch in right rear door, Left rear door contact switch, Right rear door contact switch, Left rear central locking lock unit, Right rear central locking lock unit, Right rear door control module, Right rear window regulator motor, Left rear central locking -lock- motor, Right rear central locking -lock- motor

- E54 Right rear window switch in right rear door
- F10 Left rear door contact switch
- F11 Right rear door contact switch
- F222 Left rear central locking lock unit
- F223 Right rear central locking lock unit
- J389 Right rear door control module
- J519 Vehicle electrical control module system
- L76 Push button illumination bulb
- T4ay 4-pin connector
- T8t 8-pin connector
- T8u 8-pin connector
- T18d 18-pin connector
- T18d 18-pin connector, behind the lower left B-pillar trim
- T28c 28-pin connector, behind the lower right B-pillar trim
- T52a 52-pin connector
- T52b 52-pin connector
- T52c 52-pin connector
- V27 Right rear window regulator motor
- V214 Left rear central locking -lock- motor
- V215 Right rear central locking -lock- motor
- (B398) Comfort system CAN bus high connection 2 (in main wiring harness)
- (B407) Comfort system CAN bus low connection 2 (in main wiring harness)
- \* Only for vehicles with front power windows
- \*2 Only for vehicles with rear power windows

- ws = white
- sw = black
- ro = red
- rt = red
- br = brown
- gn = green
- bl = blue
- gr = grey
- li = lilac
- vi = lilac
- ge = yellow
- or = orange
- rs = pink



Release button in rear lid handle, Luggage compartment lamp switch, Right rear door contact switch, Right rear central locking lock unit, Rear lid unlock motor, Right rear central locking -lock- motor, Luggage compartment lamp

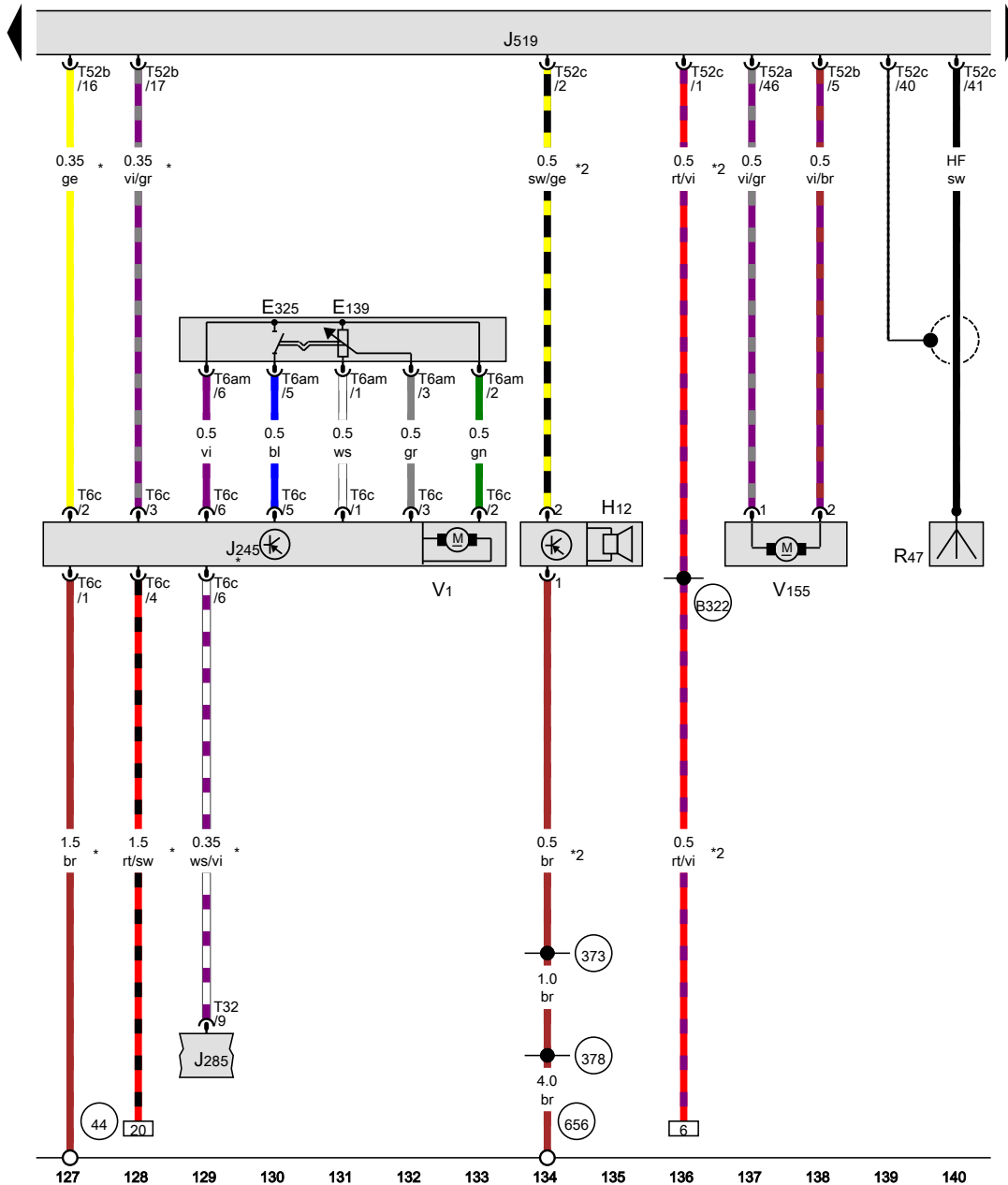
- E234 Release button in rear lid handle
- F5 Luggage compartment lamp switch
- F11 Right rear door contact switch
- F223 Right rear central locking lock unit
- J519 Vehicle electrical control module system
- T4ab 4-pin connector
- T4br 4-pin connector, behind the right C-pillar trim panel
- T4bs 4-pin connector
- T5a 5-pin connector, in the left rear side panel
- T5c 5-pin connector, in the left rear side panel
- T8t 8-pin connector
- T28c 28-pin connector, behind the lower right B-pillar trim
- T52a 52-pin connector
- T52b 52-pin connector
- V139 Rear lid unlock motor
- V215 Right rear central locking -lock- motor
- W3 Luggage compartment lamp

- 86 Ground connection 1 (in rear wiring harness)
- 98 Ground connection (in rear lid wiring harness)
- 195 Ground connection (in rear door contact switch wiring harness)
- 369 Ground connection 4 (in main wiring harness)
- 642 Electronic fan control ground connection
- 682 Ground connection 2 in right rear side panel
- B486 Connection 22 (in main wiring harness)
- B559 Positive connection 1 (30g) (in main wiring harness)

- ws = white
- sw = black
- ro = red
- rt = red
- br = brown
- gn = green
- bl = blue
- gr = grey
- li = lilac
- vi = lilac
- ge = yellow
- or = orange
- rs = pink

- \* Only for vehicles with a rearview camera system
- \*2 from May 2011
- \*3 Only for vehicles with front power windows
- \*4 Only for vehicles without a rearview camera system
- \*5 through April 2011

15K1-110100515



Sunroof adjustment regulator, Sunroof button, Alarm horn, Power sunroof control module, Central locking and anti-theft alarm system antenna, Sunroof motor, Fuel filler door unlock motor

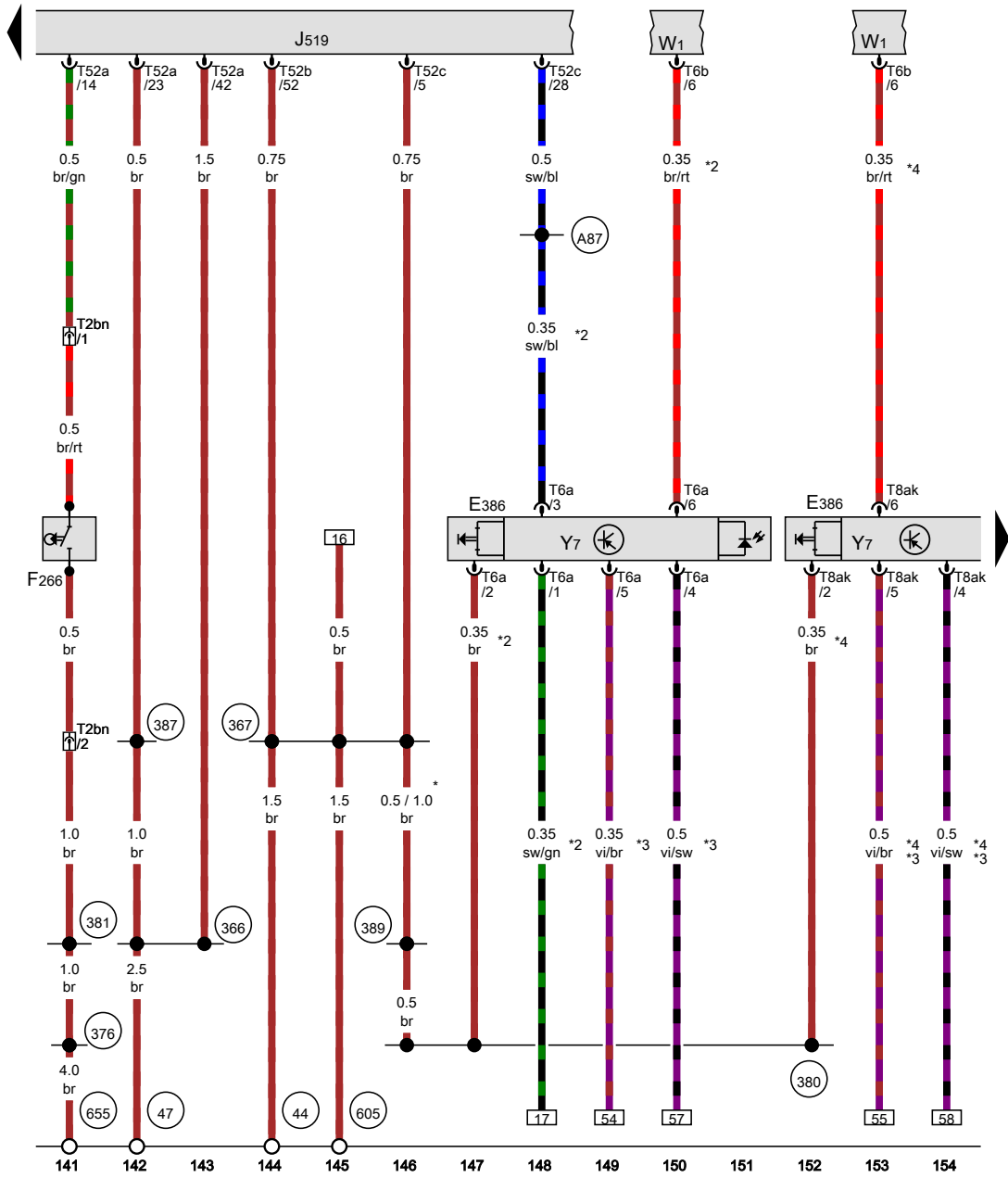
- E139 Sunroof adjustment regulator
- E325 Sunroof button
- H12 Alarm horn
- J245 Power sunroof control module
- J285 Instrument cluster control module
- J519 Vehicle electrical control module system
- R47 Central locking and anti-theft alarm system antenna
- T6am 6-pin connector
- T6c 6-pin connector
- T32 32-pin connector
- T52a 52-pin connector
- T52b 52-pin connector
- T52c 52-pin connector
- V1 Sunroof motor
- V155 Fuel filler door unlock motor

- 44 Ground connection on A-pillar, lower left
- 373 Ground connection 8 (in main wiring harness)
- 378 Ground connection 13 (in main wiring harness)
- 656 Ground connection on right headlamp
- B322 Positive connection 8 (30a) (in main wiring harness)

\* Only for vehicles with a sunroof  
 \*2 For vehicles with anti-theft alarm system

- ws = white
- sw = black
- ro = red
- rt = red
- br = brown
- gn = green
- bl = blue
- gr = grey
- li = lilac
- vi = lilac
- ge = yellow
- or = orange
- rs = pink

15K1-110110515



Automatic dimming interior rearview mirror switch, Engine hood contact switch, Automatic dimming interior rearview mirror

- E386 Automatic dimming interior rearview mirror switch
- F266 Engine hood contact switch
- J519 Vehicle electrical control module system
- T2bn Double connector, near the left headlamp
- T6a 6-pin connector
- T6b 6-pin connector
- T8ak 8-pin connector
- T52a 52-pin connector
- T52b 52-pin connector
- T52c 52-pin connector
- W1 Front interior lamp
- Y7 Automatic dimming interior rearview mirror

- 44 Ground connection on A-pillar, lower left
  - 47 Ground connection in right front footwell
  - 366 Ground connection 1 (in main wiring harness)
  - 367 Ground connection 2 (in main wiring harness)
  - 376 Ground connection 11 (in main wiring harness)
  - 380 Ground connection 15 (in main wiring harness)
  - 381 Ground connection 16 (in main wiring harness)
  - 387 Ground connection 22 (in main wiring harness)
  - 389 Ground connection 24 (in main wiring harness)
  - 605 Ground connection on upper steering column
  - 655 Ground connection on left headlamp
  - A87 Back-up lamp connection (in instrument panel wiring harness)
- \* from May 2011  
 \*2 Only for vehicles with automatic dimming interior rearview mirror  
 \*3 Only for vehicles with automatic dimming exterior rearview mirror

FSK1-1101205151

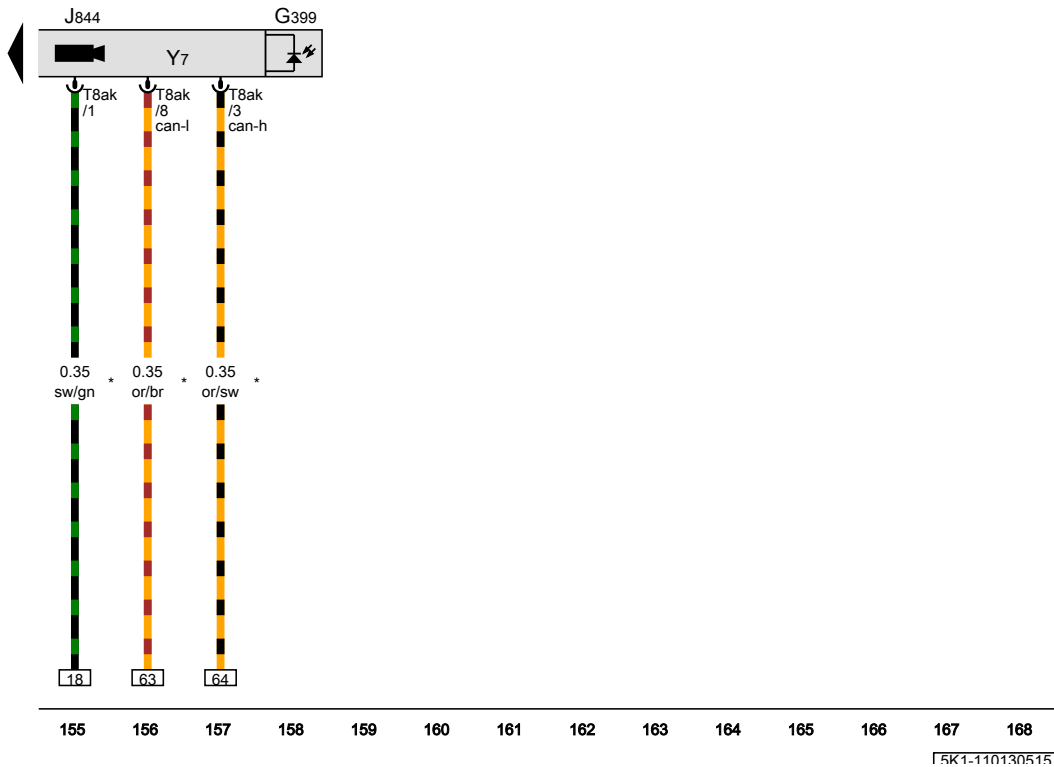
ws = white

sw = black  
ro = red  
rt = red  
br = brown  
gn = green  
bl = blue  
gr = grey  
li = lilac  
vi = lilac  
ge = yellow  
or = orange  
rs = pink

\*4 Only for vehicles with high beam assist

Light recognition sensor, Automatic high beam assist control module, Automatic dimming interior rearview mirror

- G399 Light recognition sensor
- J844 Automatic high beam assist control module
- T8ak 8-pin connector
- Y7 Automatic dimming interior rearview mirror
- \* Only for vehicles with high beam assist

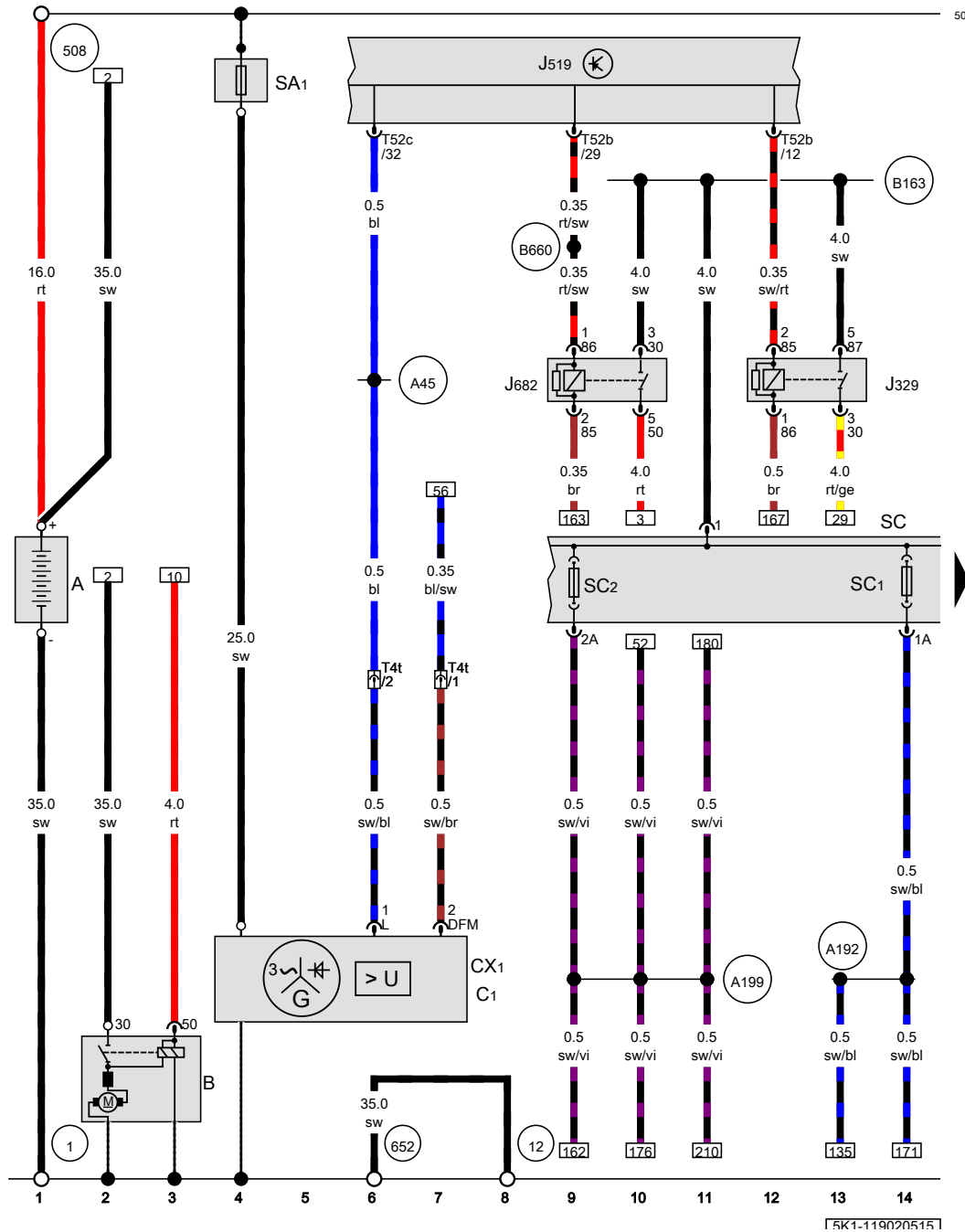


- ws = white
- sw = black
- ro = red
- rt = red
- br = brown
- gn = green
- bl = blue
- gr = grey
- li = lilac
- vi = lilac
- ge = yellow
- or = orange
- rs = pink

[5K1-110130515]



2.0L gasoline engine , CRZA  
from November 2011



Battery, Starter, Generator with voltage regulator, Voltage regulator, Terminal 15 power supply relay, Vehicle electrical control module system, Terminal 50 power supply relay, Fuse 1 (on fuse panel A), Fuse 2 (on fuse panel C)

- A Battery
- B Starter
- CX1 Generator with voltage regulator
- C1 Voltage regulator
- J329 Terminal 15 power supply relay
- J519 Vehicle electrical control module system
- J682 Terminal 50 power supply relay
- SA1 Fuse 1 (on fuse panel A)
- SC Fuse panel C
- SC1 Fuse 1 (on fuse panel C)
- SC2 Fuse 2 (on fuse panel C)
- T4t 4-pin connector, near the starter
- T52b 52-pin connector
- T52c 52-pin connector

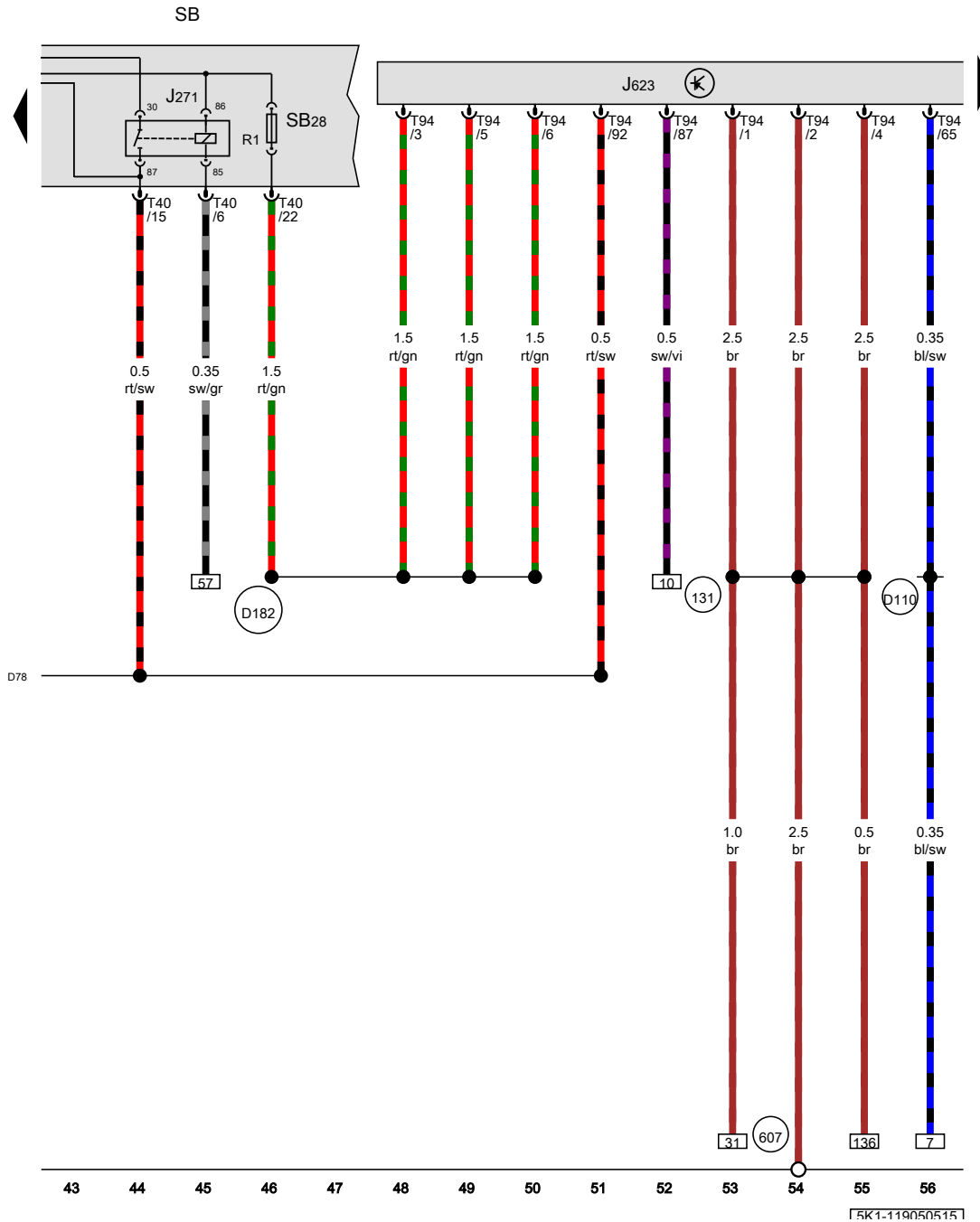
- 1 Ground strap, battery to body
- 12 Ground connection in engine compartment, left
- 508 Terminal 30 threaded connection (on E-box)
- 652 Transmission/engine ground connection
- A45 RPM signal connection (in instrument panel wiring harness)
- A192 Positive connection 3 (15a) (in instrument panel wiring harness)
- A199 Positive connection 4 (15a) (in instrument panel wiring harness)
- B163 Positive connection 1 (15) (in interior wiring harness)
- B660 Diagnostic terminal 50 connection (in main wiring harness)

- ws = white
- sw = black
- ro = red
- rt = red
- br = brown
- gn = green
- bl = blue
- gr = grey
- li = lilac
- vi = lilac
- ge = yellow
- or = orange
- rs = pink

15K1-119020515







Motronic engine control module power supply relay, Engine control module, Fuse panel B

- J271 Motronic engine control module power supply relay
- J623 Engine control module
- SB Fuse panel B
- SB28 Fuse 28 (on fuse panel B)
- T40 40-pin connector
- T94 94-pin connector

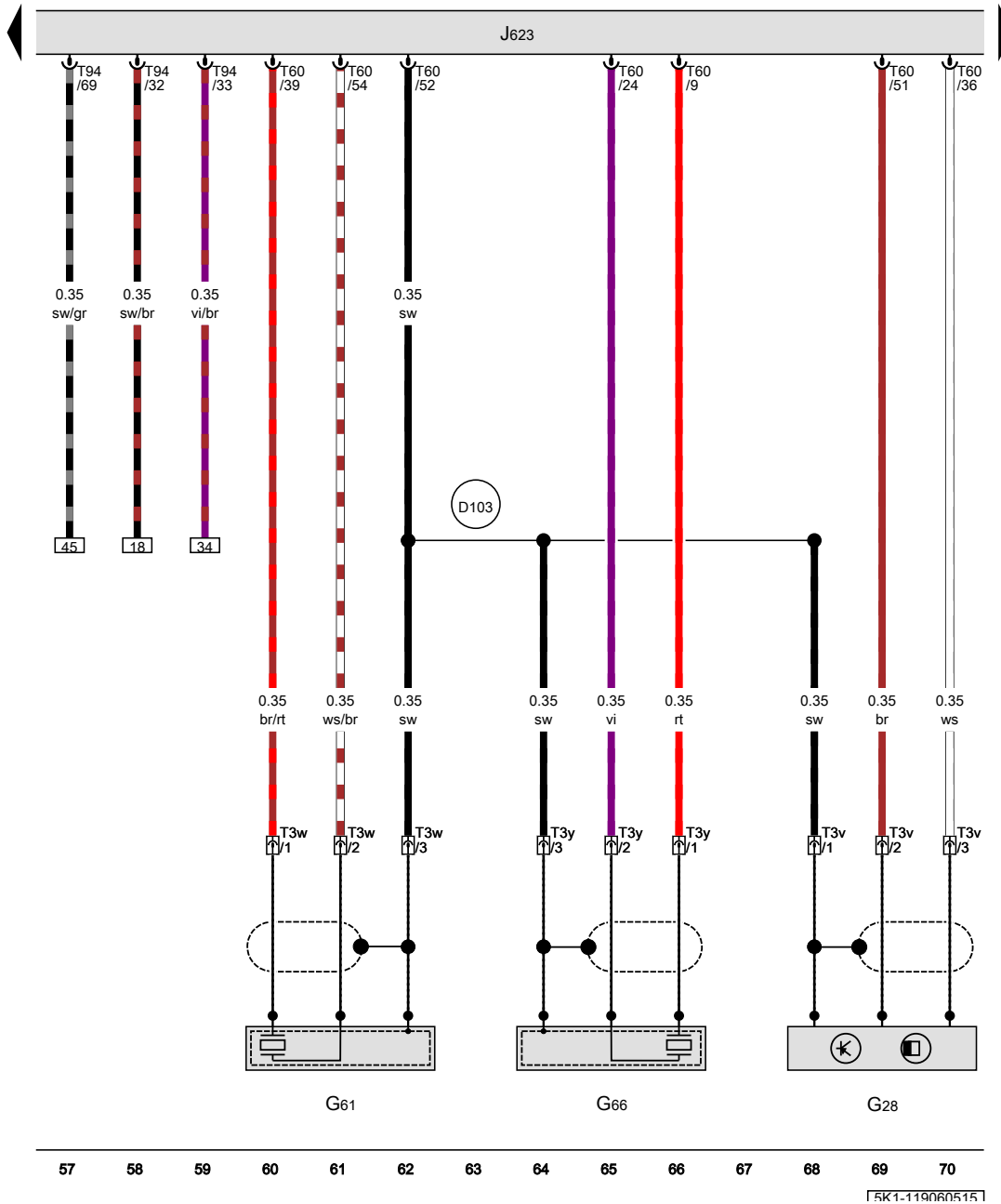
- (131) Ground connection 2 (in engine compartment wiring harness)
- (607) Ground connection in plenum chamber, left
- (D78) Positive connection 1 (30a) (in engine compartment wiring harness)
- (D110) Connection 8 (in engine compartment wiring harness)
- (D182) Connection 3 (87a) (in engine compartment wiring harness)

- ws = white
- sw = black
- ro = red
- rt = red
- br = brown
- gn = green
- bl = blue
- gr = grey
- li = lilac
- vi = lilac
- ge = yellow
- or = orange
- rs = pink

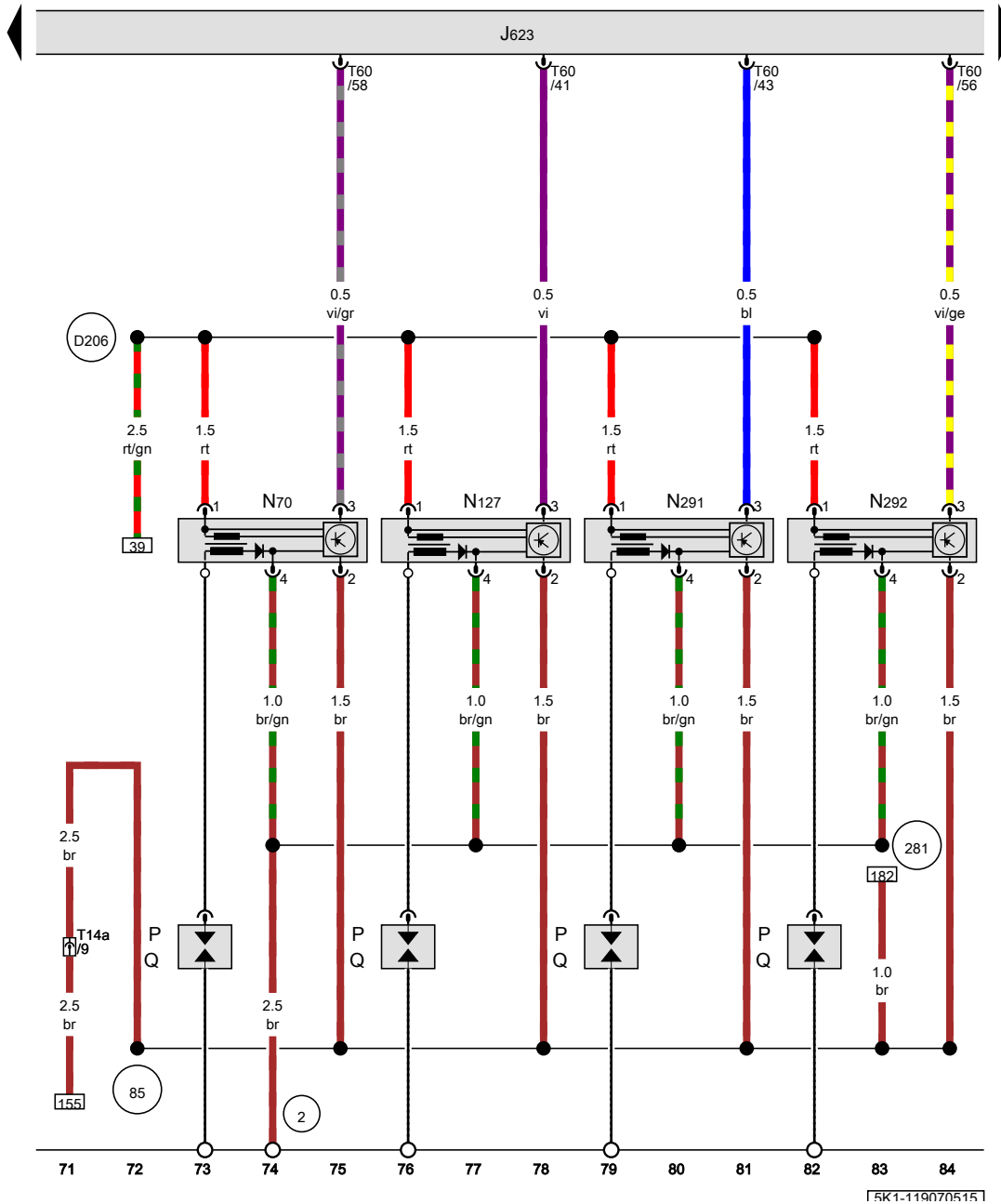
15K1-119050515

Engine speed sensor, Knock sensor 1, Knock sensor 2, Engine control module

- G28 Engine speed sensor
- G61 Knock sensor 1
- G66 Knock sensor 2
- J623 Engine control module
- T3v 3-pin connector
- T3w 3-pin connector
- T3y 3-pin connector, on the front engine mount
- T60 60-pin connector
- T94 94-pin connector
- D103 Connection 3 (in engine compartment wiring harness)



- ws = white
- sw = black
- ro = red
- rt = red
- br = brown
- gn = green
- bl = blue
- gr = grey
- li = lilac
- vi = lilac
- ge = yellow
- or = orange
- rs = pink

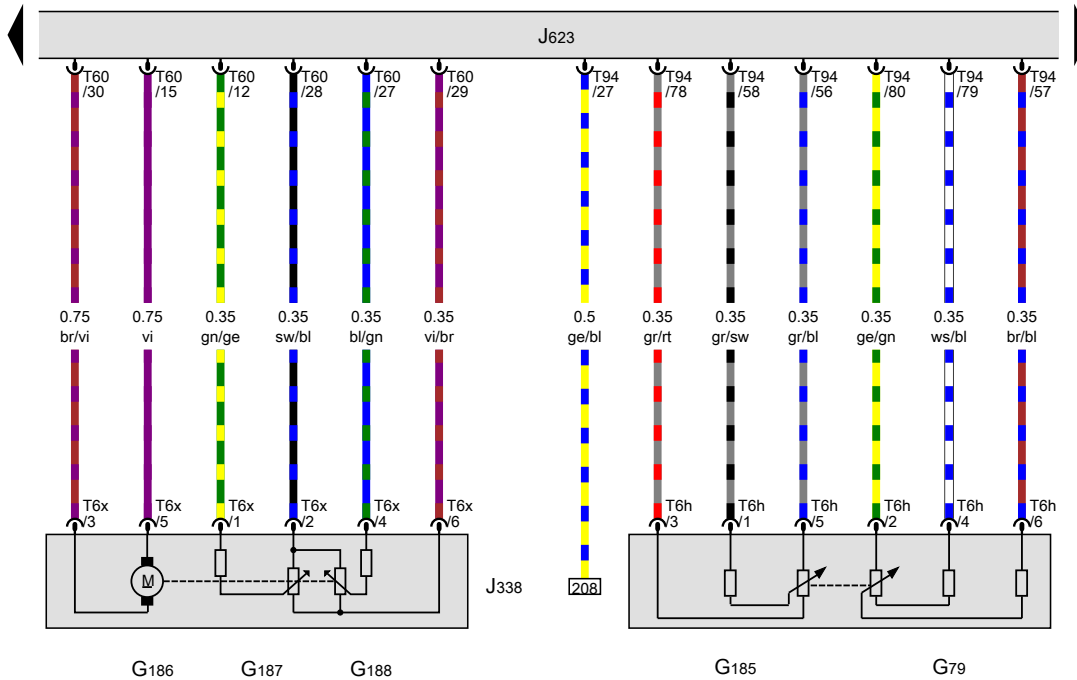


Engine control module, Ignition coil 1 with power output stage, Ignition coil 2 with power output stage, Ignition coil 3 with power output stage, Ignition coil 4 with power output stage, Spark plug connectors, Spark plugs

- J623 Engine control module
- N70 Ignition coil 1 with power output stage
- N127 Ignition coil 2 with power output stage
- N291 Ignition coil 3 with power output stage
- N292 Ignition coil 4 with power output stage
- P Spark plug connectors
- Q Spark plugs
- T14a 14-pin connector
- T60 60-pin connector
- 2 Ground strap, transmission to body
- 85 Ground connection 1 (in engine compartment wiring harness)
- 281 Ground connection 1 (in engine pre-wiring harness)
- D206 Connection 87a (in engine pre-wiring harness) 4

- ws = white
- sw = black
- ro = red
- rt = red
- br = brown
- gn = green
- bl = blue
- gr = grey
- li = lilac
- vi = lilac
- ge = yellow
- or = orange
- rs = pink

15K1-119070515



Accelerator pedal position sensor, Accelerator pedal position sensor 2, Throttle valve control module, Engine control module

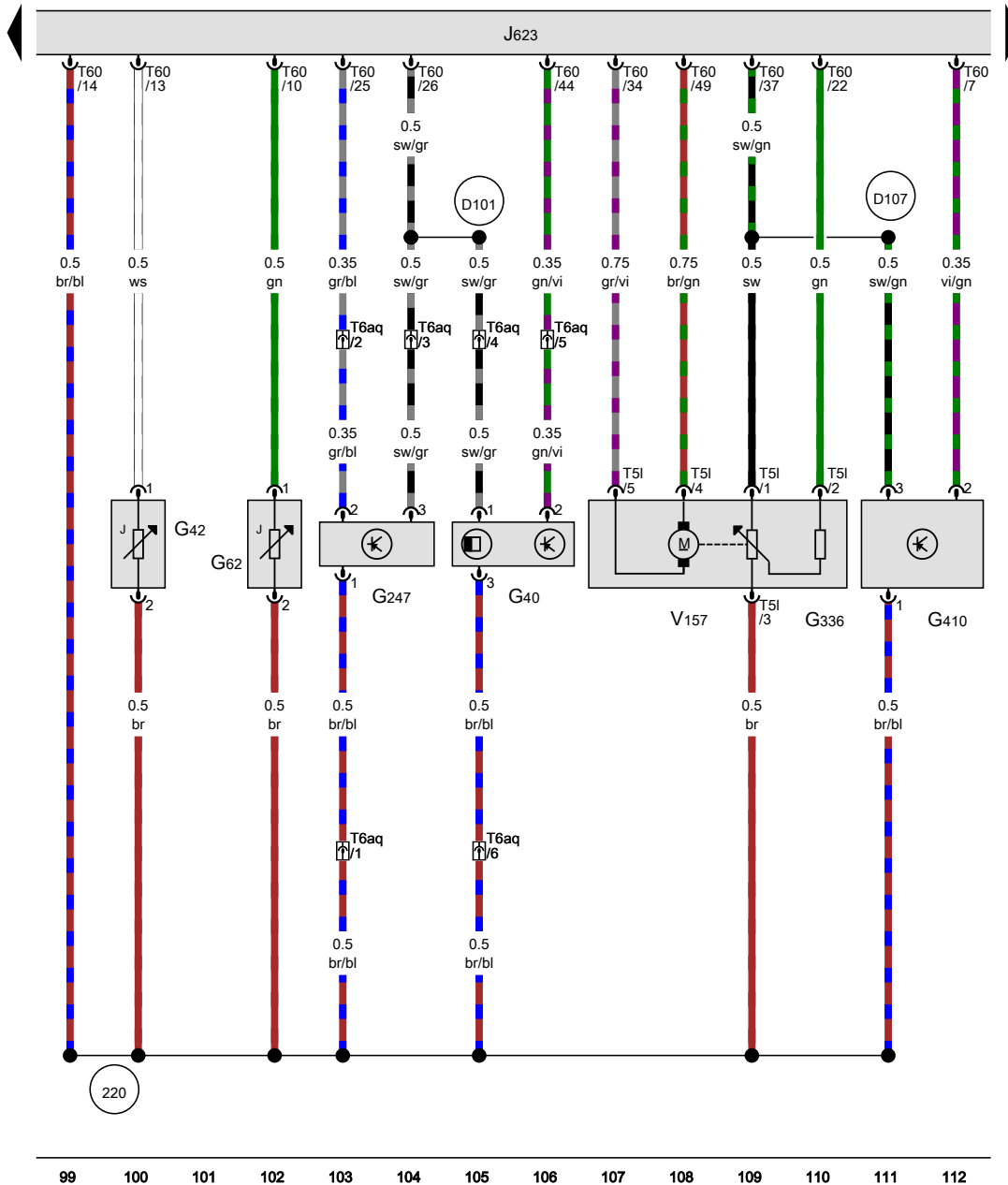
- G79 Accelerator pedal position sensor
- G185 Accelerator pedal position sensor 2
- G186 EPC throttle drive
- G187 EPC throttle drive angle sensor 1
- G188 EPC throttle drive angle sensor 2
- J338 Throttle valve control module
- J623 Engine control module
- T6h 6-pin connector
- T6x 6-pin connector
- T60 60-pin connector
- T94 94-pin connector

- ws = white
- sw = black
- ro = red
- rt = red
- br = brown
- gn = green
- bl = blue
- gr = grey
- li = lilac
- vi = lilac
- ge = yellow
- or = orange
- rs = pink

85 86 87 88 89 90 91 92 93 94 95 96 97 98

15K1-119080515





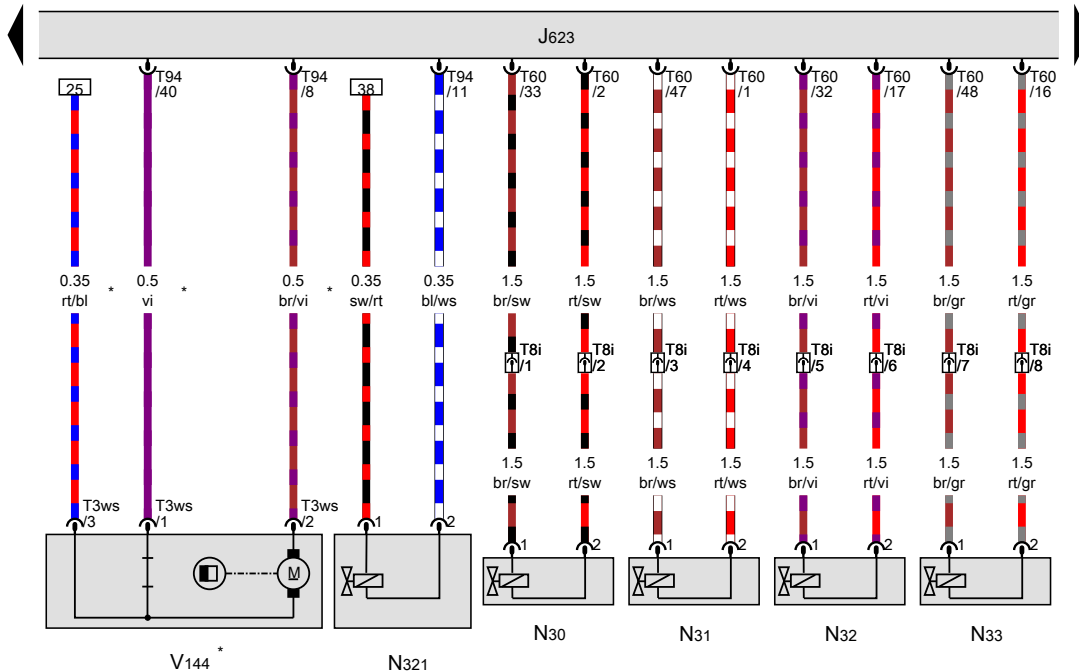
Camshaft position sensor, Intake air temperature sensor, Engine coolant temperature sensor, Fuel pressure sensor, Intake manifold runner position sensor, Low fuel pressure sensor, Engine control module, Intake flap motor

- G40 Camshaft position sensor
- G42 Intake air temperature sensor
- G62 Engine coolant temperature sensor
- G247 Fuel pressure sensor
- G336 Intake manifold runner position sensor
- G410 Low fuel pressure sensor
- J623 Engine control module
- T5l 5-pin connector
- T6aq 6-pin connector, on the engine, front
- T60 60-pin connector
- V157 Intake flap motor
- 220 Sensor ground connection (in engine wiring harness)
- D101 Connection 1 (in engine compartment wiring harness)
- D107 Connection 5 (in engine compartment wiring harness)

- ws = white
- sw = black
- ro = red
- rt = red
- br = brown
- gn = green
- bl = blue
- gr = grey
- li = lilac
- vi = lilac
- ge = yellow
- or = orange
- rs = pink

99 100 101 102 103 104 105 106 107 108 109 110 111 112

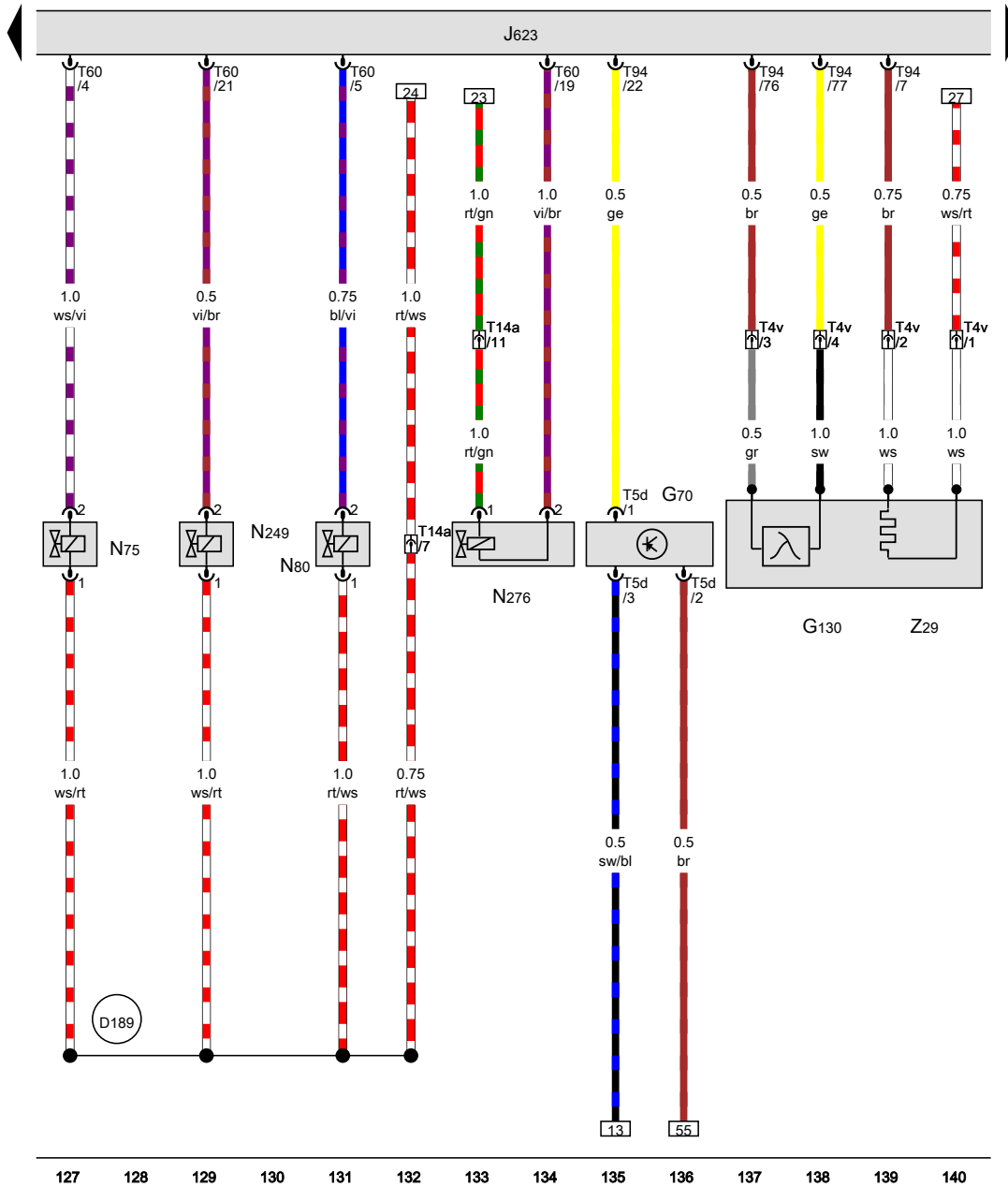
15K1-119090515



Engine control module, Cylinder 1 fuel injector, Cylinder 2 fuel injector, Cylinder 3 fuel injector, Cylinder 4 fuel injector, Exhaust door valve 1, Leak detection pump

- J623 Engine control module
- N30 Cylinder 1 fuel injector
- N31 Cylinder 2 fuel injector
- N32 Cylinder 3 fuel injector
- N33 Cylinder 4 fuel injector
- N321 Exhaust door valve 1
- T3ws 3-pin connector
- T8i 8-pin connector, on the engine, front
- T60 60-pin connector
- T94 94-pin connector
- V144 Leak detection pump, in the right rear wheel housing
- \* USA only

- ws = white
- sw = black
- ro = red
- rt = red
- br = brown
- gn = green
- bl = blue
- gr = grey
- li = lilac
- vi = lilac
- ge = yellow
- or = orange
- rs = pink

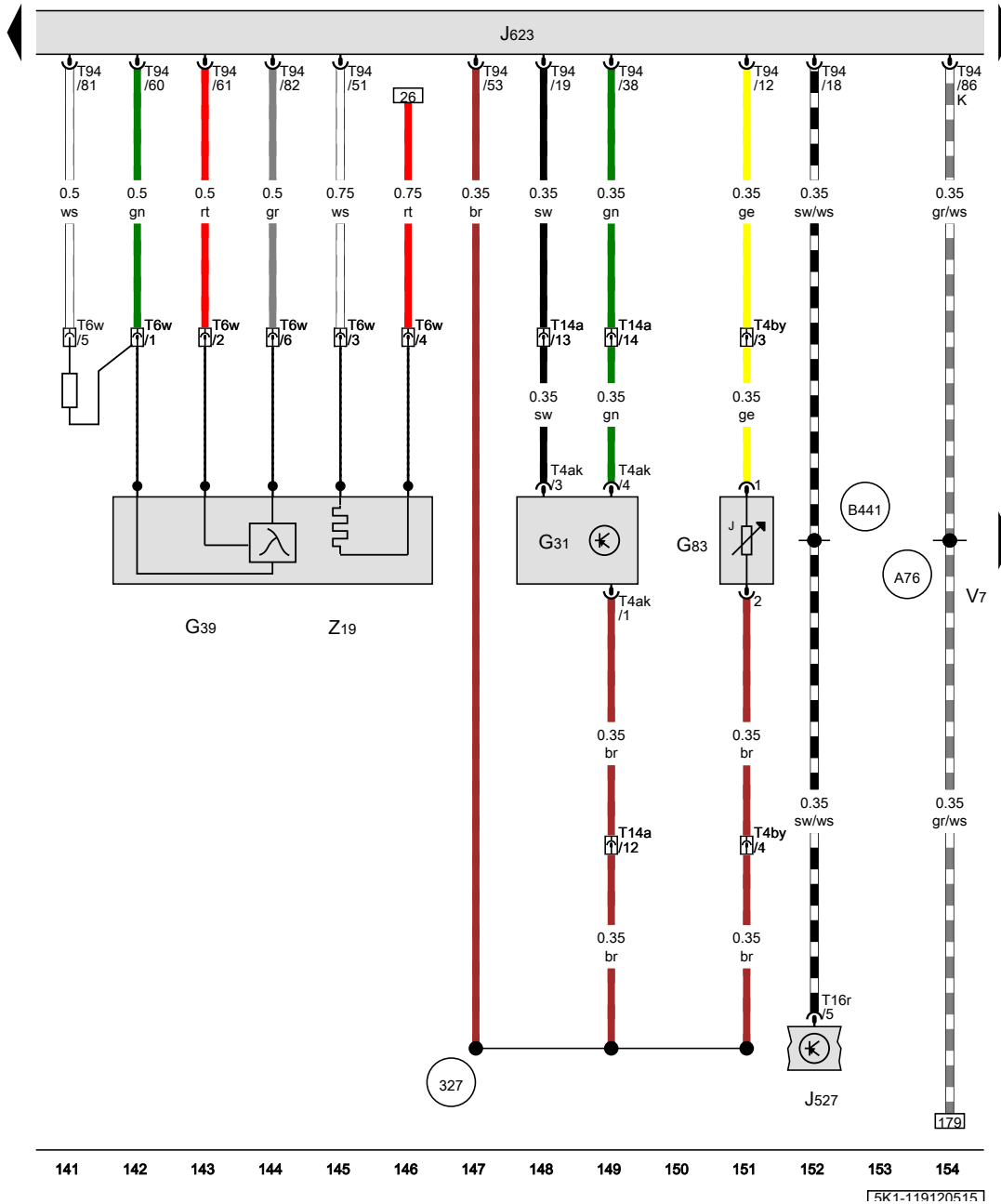


Mass airflow sensor, Oxygen sensor after catalytic converter, Engine control module, Wastegate bypass regulator valve, EVAP canister purge regulator valve 1, Turbocharger recirculation valve, Fuel pressure regulator valve, Heater for oxygen sensor 1 after catalytic converter

- G70 Mass airflow sensor
- G130 Oxygen sensor after catalytic converter
- J623 Engine control module
- N75 Wastegate bypass regulator valve
- N80 EVAP canister purge regulator valve 1
- N249 Turbocharger recirculation valve
- N276 Fuel pressure regulator valve
- T4v 4-pin connector
- T5d 5-pin connector
- T14a 14-pin connector, near the left headlamp
- T60 60-pin connector
- T94 94-pin connector
- Z29 Heater for oxygen sensor 1 after catalytic converter
- D189 Connection 87a (in engine pre-wiring harness)

- ws = white
- sw = black
- ro = red
- rt = red
- br = brown
- gn = green
- bl = blue
- gr = grey
- li = lilac
- vi = lilac
- ge = yellow
- or = orange
- rs = pink

Charge air pressure sensor, Heated oxygen sensor, Engine coolant temperature sensor on radiator outlet, Engine control module



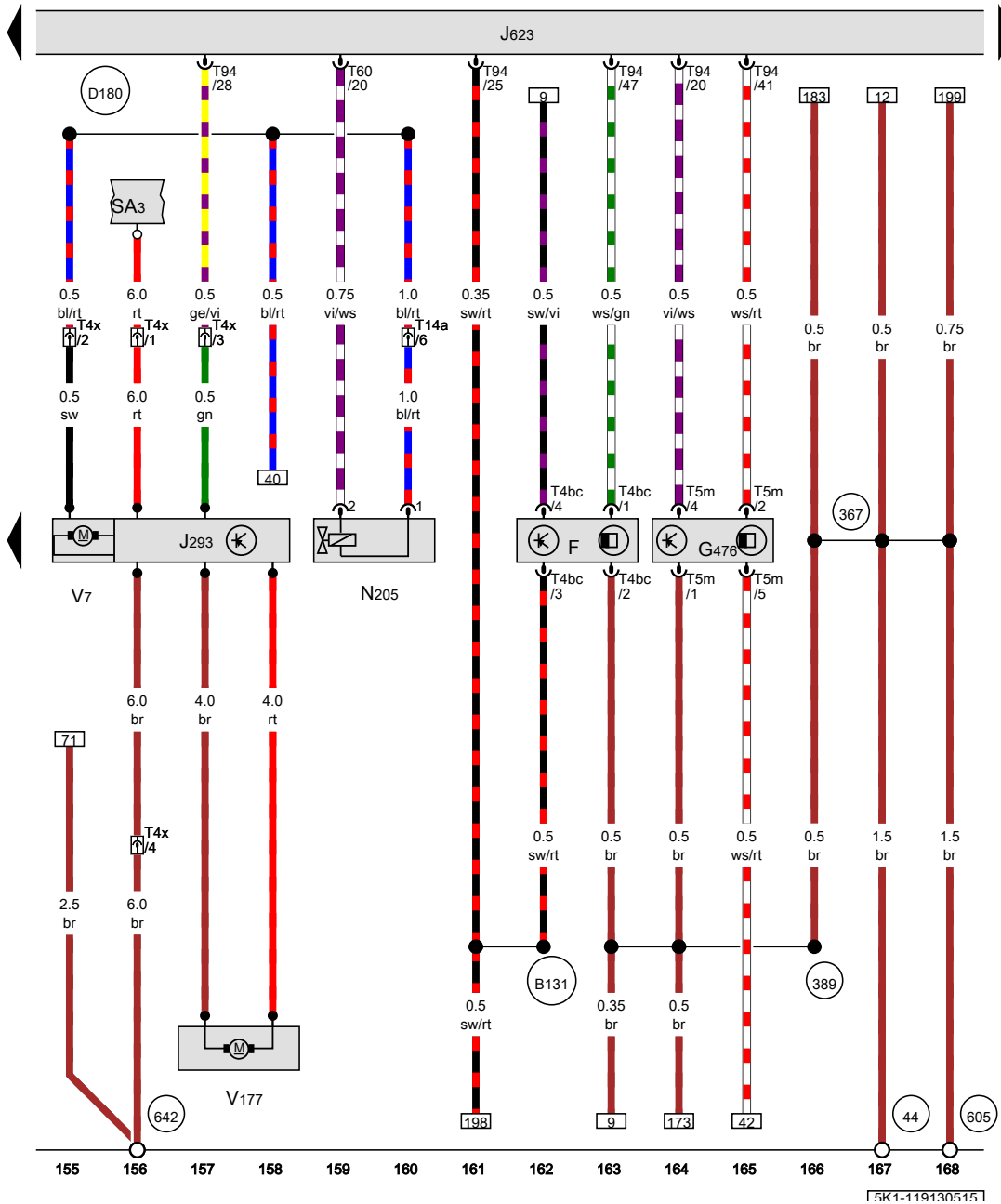
- G31 Charge air pressure sensor
- G39 Heated oxygen sensor
- G83 Engine coolant temperature sensor on radiator outlet
- J527 Steering column electronics control module
- J623 Engine control module
- T4ak 4-pin connector
- T4by 4-pin connector, near the starter
- T6w 6-pin connector, in the engine compartment, rear
- T14a 14-pin connector
- T16r 16-pin connector
- T94 94-pin connector
- V7 Radiator fan
- Z19 Oxygen sensor heater
- (327) Sensor ground connection (in engine compartment wiring harness)
- (A76) KS-diagnostic lead connection (in instrument panel wiring harness)
- (B441) Cruise control connection (in main wiring harness)

- ws = white
- sw = black
- ro = red
- rt = red
- br = brown
- gn = green
- bl = blue
- gr = grey
- li = lilac
- vi = lilac
- ge = yellow
- or = orange
- rs = pink

141 142 143 144 145 146 147 148 149 150 151 152 153 154

15K1-119120515

Brake lamp switch, Clutch position sensor, Radiator fan control module, Engine control module, Camshaft adjustment valve 1

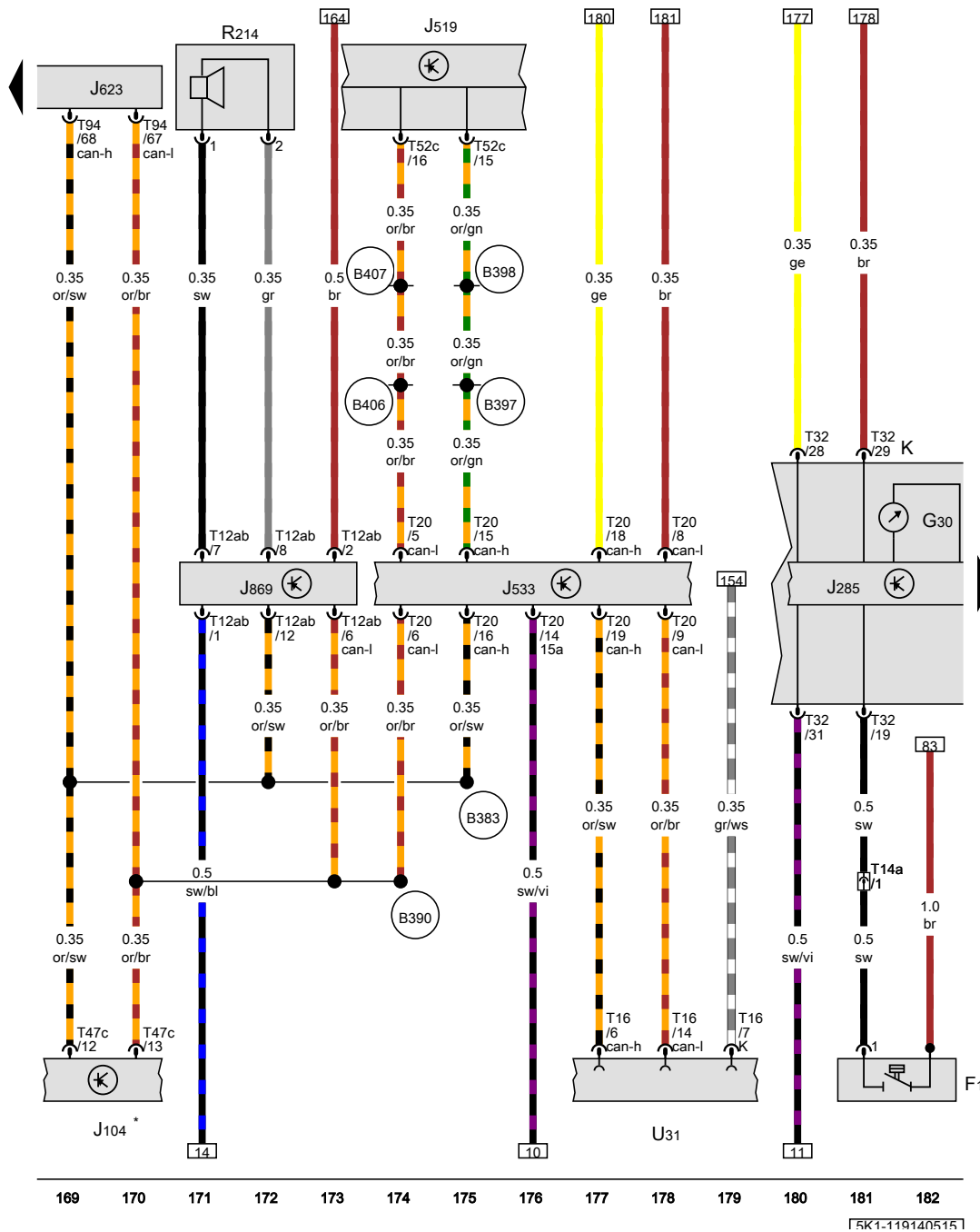


- F Brake lamp switch
- G476 Clutch position sensor
- J293 Radiator fan control module
- J623 Engine control module
- N205 Camshaft adjustment valve 1
- SA3 Fuse 3 (on fuse panel A)
- T4bc 4-pin connector
- T4x 4-pin connector, on the coolant fan
- T5m 5-pin connector
- T14a 14-pin connector, near the left headlamp
- T60 60-pin connector
- T94 94-pin connector
- V7 Radiator fan
- V177 Radiator fan 2

- (44) Ground connection on A-pillar, lower left
- (367) Ground connection 2 (in main wiring harness)
- (389) Ground connection 24 (in main wiring harness)
- (605) Ground connection on upper steering column
- (642) Electronic fan control ground connection
- (B131) Connection 54 (in interior wiring harness)
- (D180) Connection 87a (in engine compartment wiring harness)

- ws = white
- sw = black
- ro = red
- rt = red
- br = brown
- gn = green
- bl = blue
- gr = grey
- li = lilac
- vi = lilac
- ge = yellow
- or = orange
- rs = pink

15K1-119130515



Oil pressure switch, Charge air pressure gauge, ABS control module, Vehicle electrical control module system, Data bus on board diagnostic interface, Engine control module, Structure borne sound control module, Instrument cluster, Structure-borne sound actuator, Diagnostic connection

- F1 Oil pressure switch
- G30 Charge air pressure gauge
- J104 ABS control module
- J285 Instrument cluster control module
- J519 Vehicle electrical control module system
- J533 Data bus on board diagnostic interface
- J623 Engine control module
- J869 Structure borne sound control module
- K Instrument cluster
- R214 Structure-borne sound actuator
- T12ab 12-pin connector
- T14a 14-pin connector, near the left headlamp
- T16 16-pin connector
- T20 20-pin connector
- T32 32-pin connector
- T47c 47-pin connector
- T52c 52-pin connector
- T94 94-pin connector
- U31 Diagnostic connection

- (B383) Powertrain CAN bus high connection 1 (in main wiring harness)
- (B390) Powertrain CAN bus low connection 1 (in main wiring harness)
- (B397) Comfort system CAN bus high connection 1 (in main wiring harness)
- (B398) Comfort system CAN bus high connection 2 (in main wiring harness)
- (B406) Comfort system CAN bus low connection 1 (in main wiring harness)
- (B407) Comfort system CAN bus low connection 2 (in main wiring harness)

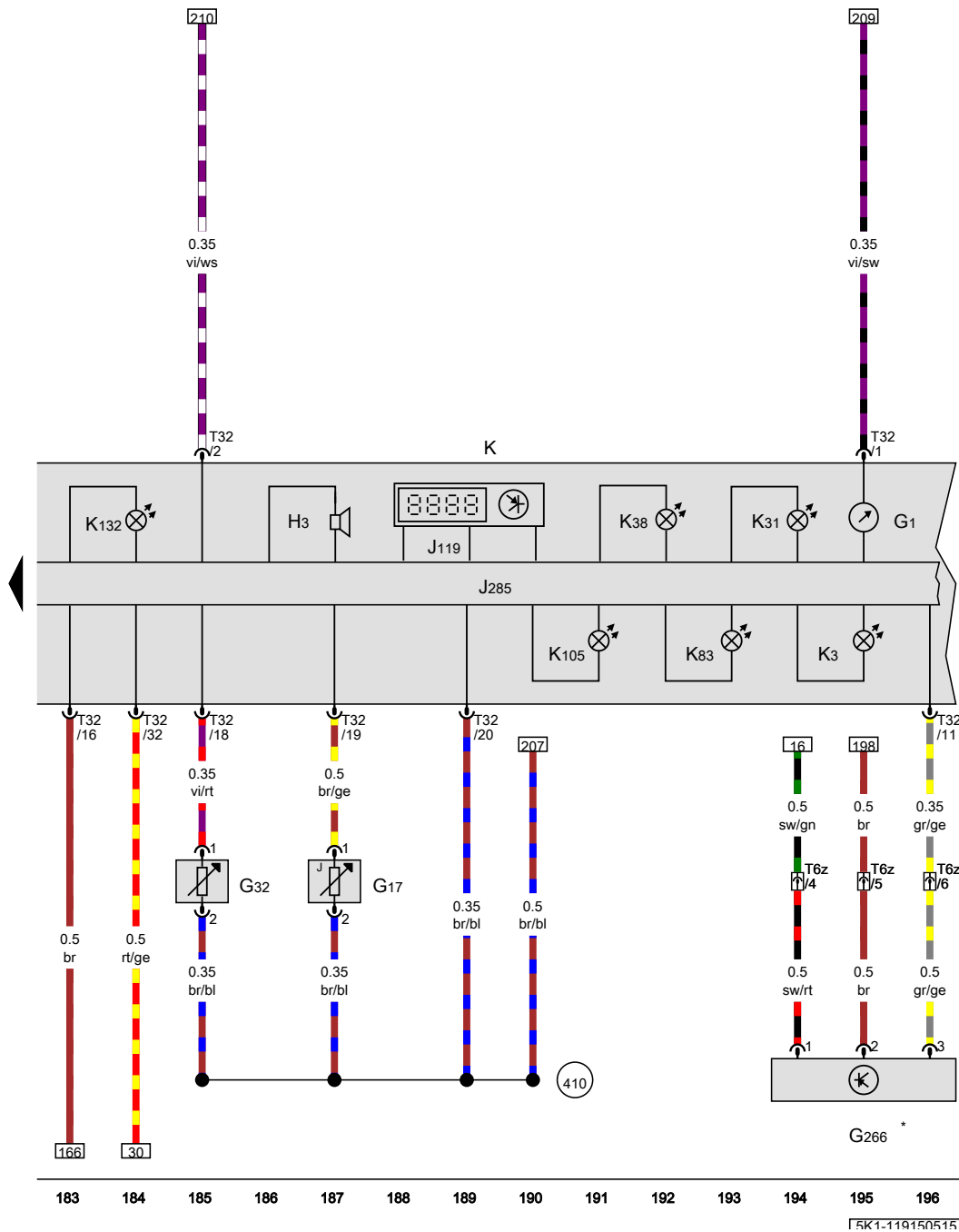
\* Refer to applicable ABS wiring diagram

- ws = white
- sw = black
- ro = red
- rt = red
- br = brown
- gn = green
- bl = blue
- gr = grey
- li = lilac
- vi = lilac
- ge = yellow
- or = orange
- rs = pink

Fuel gauge, Outside air temperature sensor, Warning buzzer and tone, Instrument cluster, Oil pressure indicator lamp, Cruise control indicator lamp, Oil level indicator lamp, Malfunction indicator lamp, Low fuel level indicator lamp, Electronic power control malfunction indicator lamp

- G1 Fuel gauge
- G17 Outside air temperature sensor
- G32 Engine coolant level sensor
- G266 Oil level thermal sensor
- H3 Warning buzzer and tone
- J119 Multifunction indicator
- J285 Instrument cluster control module
- K Instrument cluster
- K3 Oil pressure indicator lamp
- K31 Cruise control indicator lamp
- K38 Oil level indicator lamp
- K83 Malfunction indicator lamp
- K105 Low fuel level indicator lamp
- K132 Electronic power control malfunction indicator lamp
- T6z 6-pin connector
- T32 32-pin connector

- 410 Sensor ground connection 1 (in main wiring harness)
- \* Only for vehicles with flexible service interval reminder



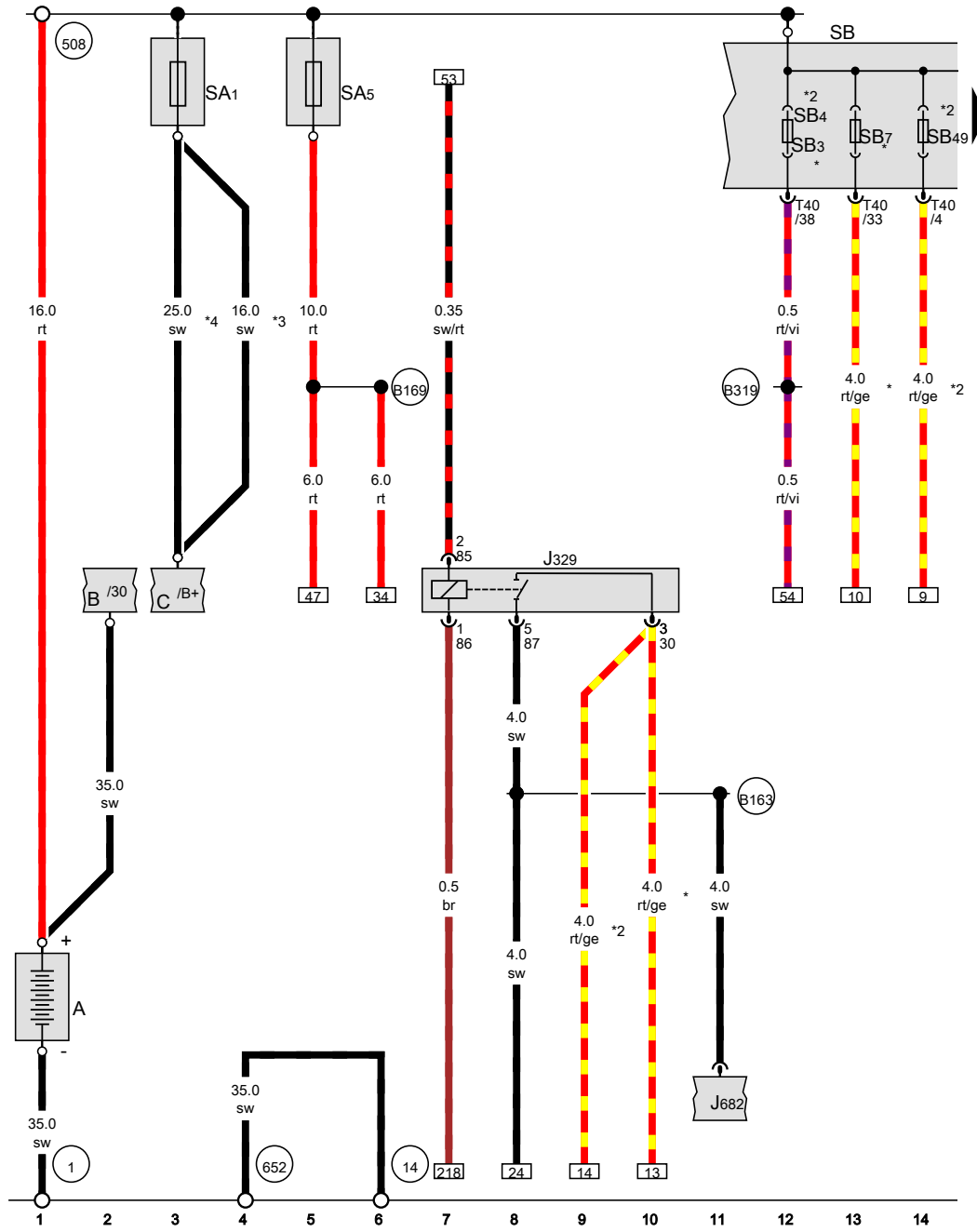
- ws = white
- sw = black
- ro = red
- rt = red
- br = brown
- gn = green
- bl = blue
- gr = grey
- li = lilac
- vi = lilac
- ge = yellow
- or = orange
- rs = pink





**Standard equipment (NAR)**

from November 2011



Г5К1-121020515

**Battery, Terminal 15 power supply relay, Fuse 1 (on fuse panel A), Fuse 5 (on fuse panel A), Fuse panel B**

- A Battery
- B Starter
- C Generator
- J329 Terminal 15 power supply relay
- J682 Terminal 50 power supply relay
- SA1 Fuse 1 (on fuse panel A)
- SB3 Fuse 3 (on fuse panel B)
- SB4 Fuse 4 (on fuse panel B)
- SA5 Fuse 5 (on fuse panel A)
- SB Fuse panel B
- SB7 Fuse 7 (on fuse panel B)
- SB49 Fuse 49 (on fuse panel B)
- T40 40-pin connector

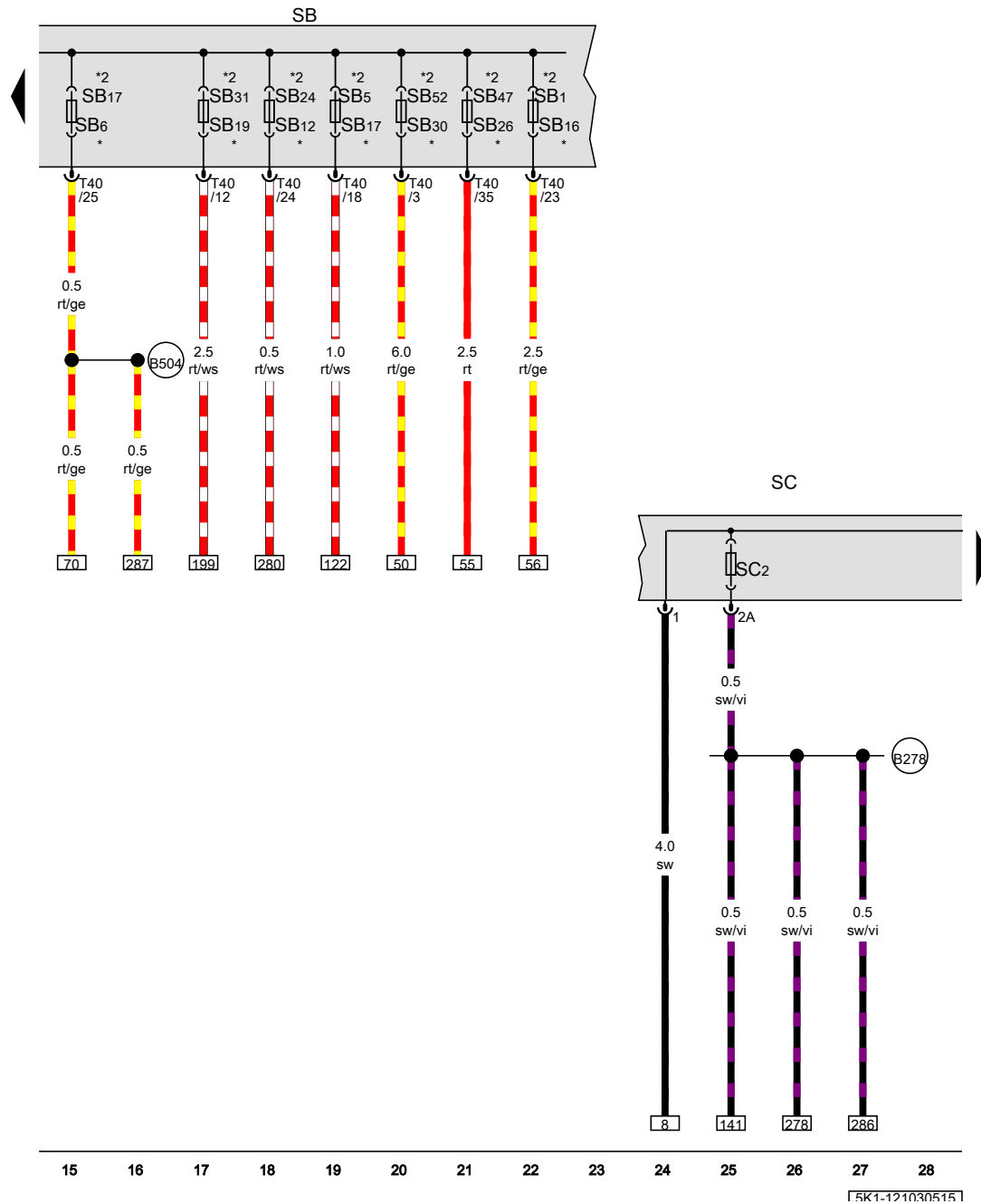
- 1 Ground strap, battery to body
- 14 Ground connection on transmission
- 508 Terminal 30 threaded connection (on E-box)
- 652 Transmission/engine ground connection
- B163 Positive connection 1 (15) (in interior wiring harness)
- B169 Positive connection 1 (30) (in interior wiring harness)
- B319 Positive connection 5 (30a) (in main wiring harness)

- \* E-Box low
- \*2 E-Box high
- \*3 Only for vehicles with 90 A/120 A generator
- \*4 Only for vehicles with a generator (140 A)

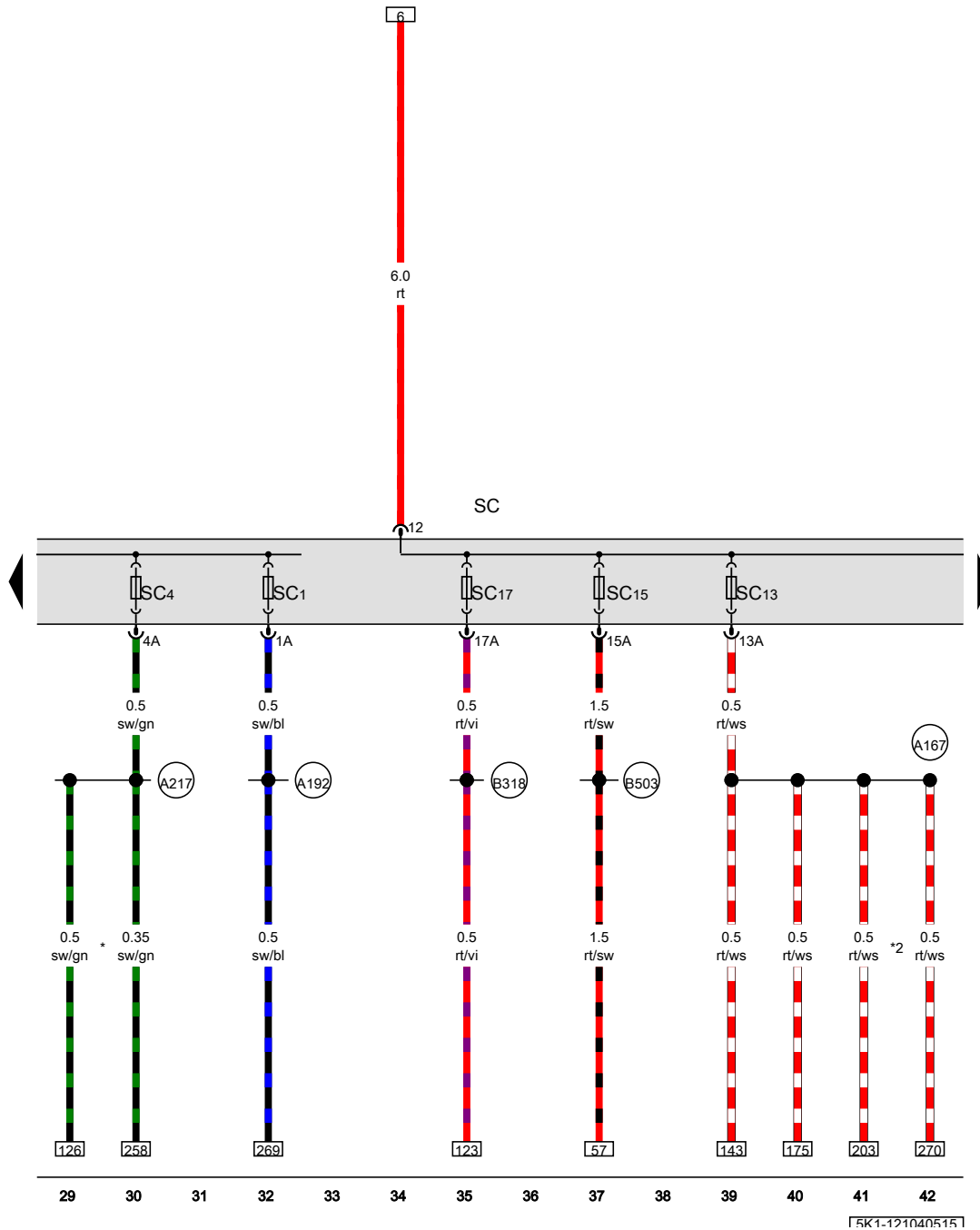
- ws = white
- sw = black
- ro = red
- rt = red
- br = brown
- gn = green
- bl = blue
- gr = grey
- li = lilac
- vi = lilac
- ge = yellow
- or = orange
- rs = pink

Fuse panel B, Fuse panel C

- SB Fuse panel B
- SB1 Fuse 1 (on fuse panel B)
- SC2 Fuse 2 (on fuse panel C)
- SB5 Fuse 5 (on fuse panel B)
- SB6 Fuse 6 (on fuse panel B)
- SB12 Fuse 12 (on fuse panel B)
- SB16 Fuse 16 (on fuse panel B)
- SB17 Fuse 17 (on fuse panel B)
- SB19 Fuse 19 (on fuse panel B)
- SB24 Fuse 24 (on fuse panel B)
- SB26 Fuse 26 (on fuse panel B)
- SB30 Fuse 30 (on fuse panel B)
- SB31 Fuse 31 (on fuse panel B)
- SB47 Fuse 47 (on fuse panel B)
- SB52 Fuse 52 (on fuse panel B)
- SC Fuse panel C
- T40 40-pin connector
- (B278) Positive connection 2 (15a) (in main wiring harness)
- (B504) Positive connection 8 (30a) (in interior wiring harness)
- \* E-Box low
- \*2 E-Box high



- ws = white
- sw = black
- ro = red
- rt = red
- br = brown
- gn = green
- bl = blue
- gr = grey
- li = lilac
- vi = lilac
- ge = yellow
- or = orange
- rs = pink



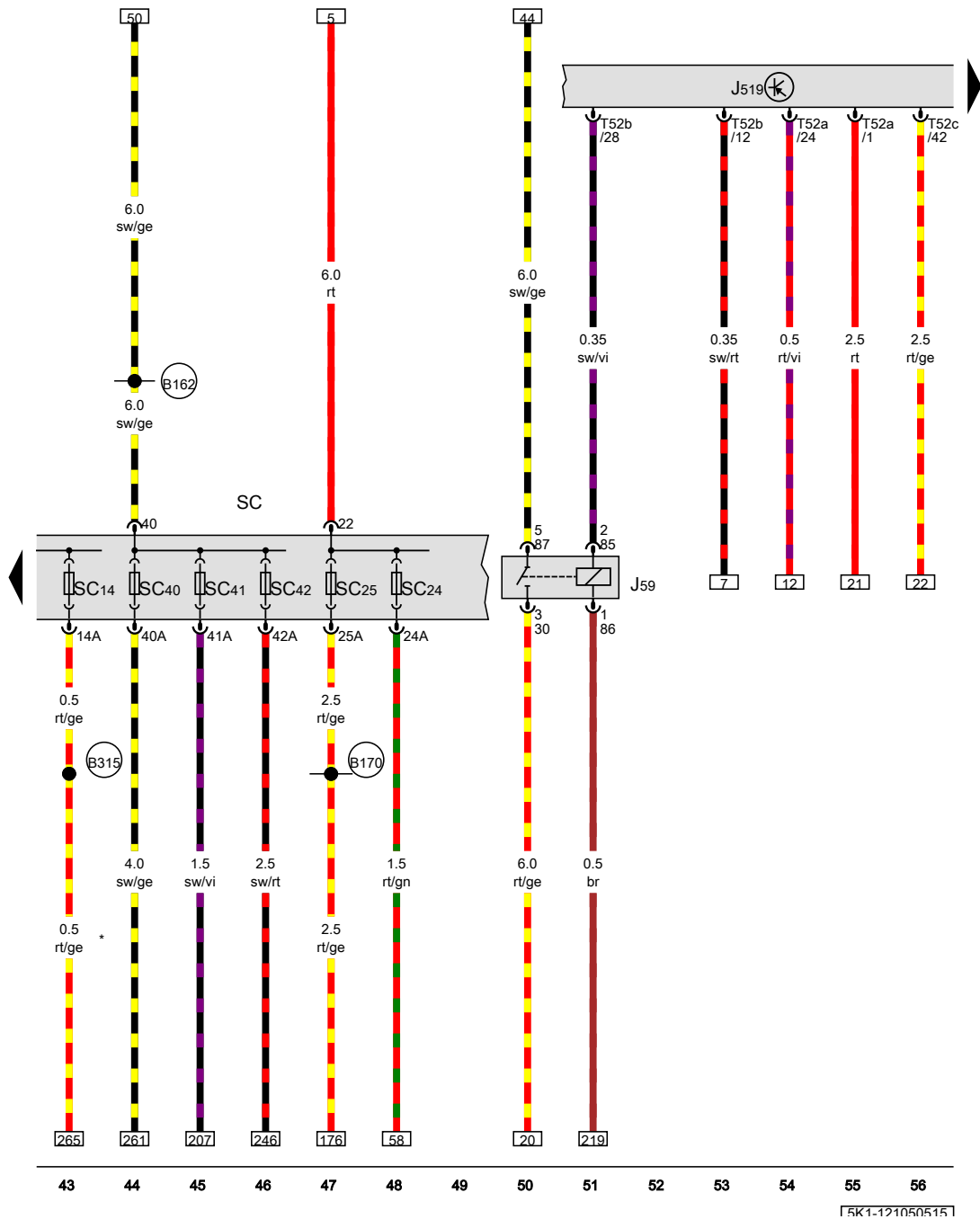
Fuse panel C

- SC Fuse panel C
- SC1 Fuse 1 (on fuse panel C)
- SC4 Fuse 4 (on fuse panel C)
- SC13 Fuse 13 (on fuse panel C)
- SC15 Fuse 15 (on fuse panel C)
- SC17 Fuse 17 (on fuse panel C)

- A167 Positive connection 3 (30a) (in instrument panel wiring harness)
- A192 Positive connection 3 (15a) (in instrument panel wiring harness)
- A217 Positive connection 8 (15a) (in instrument panel wiring harness)
- B318 Positive connection 4 (30a) (in main wiring harness)
- B503 Positive connection 7 (30a) (in interior wiring harness)

\* not for vehicles with dual clutch transmission  
 \*2 Only for vehicles with rain/light recognition sensor

ws = white  
 sw = black  
 ro = red  
 rt = red  
 br = brown  
 gn = green  
 bl = blue  
 gr = grey  
 li = lilac  
 vi = lilac  
 ge = yellow  
 or = orange  
 rs = pink



Load reduction relay, Fuse panel C

- J59 Load reduction relay
- J519 Vehicle electrical control module system
- SC Fuse panel C
- SC14 Fuse 14 (on fuse panel C)
- SC24 Fuse 24 (on fuse panel C)
- SC25 Fuse 25 (on fuse panel C)
- SC40 Fuse 40 (on fuse panel C)
- SC41 Fuse 41 (on fuse panel C)
- SC42 Fuse 42 (on fuse panel C)
- T52a 52-pin connector
- T52b 52-pin connector
- T52c 52-pin connector

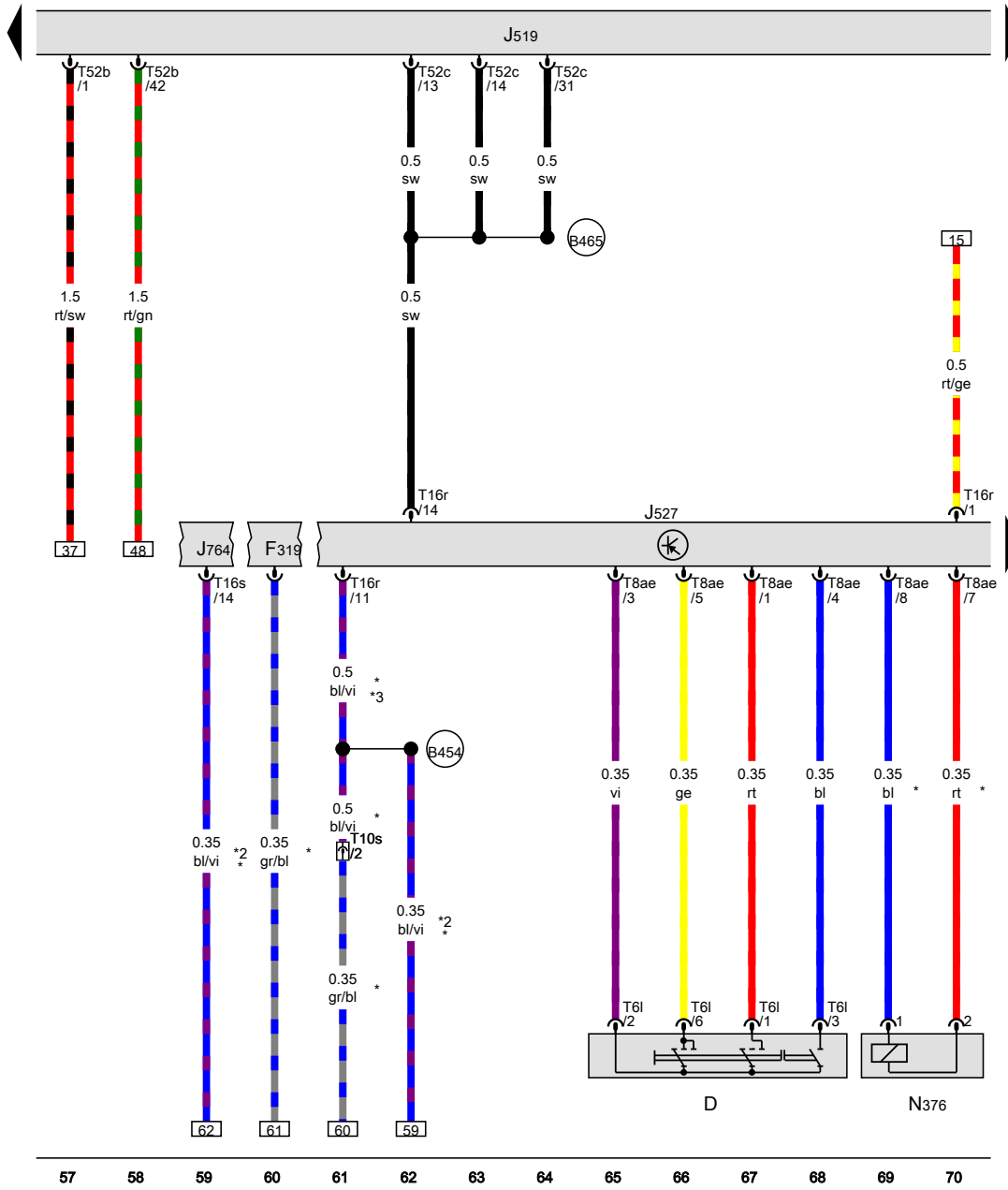
B162 Connection 75a (in interior wiring harness)

B170 Positive connection 2 (30) (in interior wiring harness)

B315 Positive connection 1 (30a) (in main wiring harness)

\* Only for vehicles with auxiliary water heater

Ignition/starter switch, Steering column electronics control module, Ignition switch key lock solenoid



- D Ignition/starter switch
- F319 Selector lever park position lock switch
- J519 Vehicle electrical control module system
- J527 Steering column electronics control module
- J764 Electronic steering column lock control module
- N376 Ignition switch key lock solenoid, on the ignition/starter switch
- T6l 6-pin connector
- T8ae 8-pin connector
- T10s 10-pin connector, under the selector lever
- T16r 16-pin connector
- T16s 16-pin connector
- T52b 52-pin connector
- T52c 52-pin connector
- B454 Shift lock connection (in main wiring harness)
- B465 Connection 1 (in main wiring harness)
- \* Only for vehicles with DSG transmission
- \*2 only for vehicles with access/start authorization system
- \*3 Only for vehicles without access/start authorization system

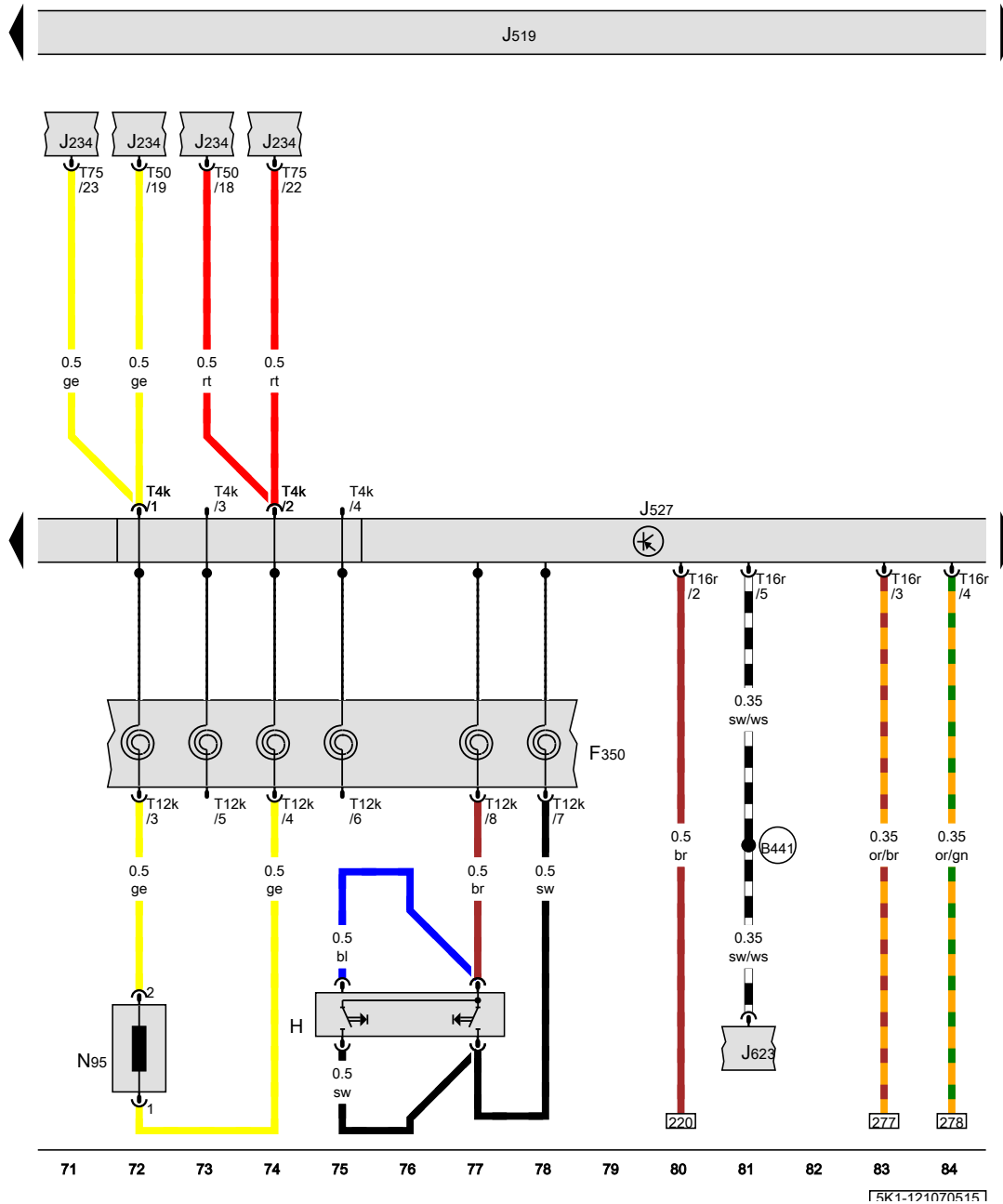
- ws = white
- sw = black
- ro = red
- rt = red
- br = brown
- gn = green
- bl = blue
- gr = grey
- li = lilac
- vi = lilac
- ge = yellow
- or = orange
- rs = pink

15K1-121060515

Signal horn activation, Steering column electronics control module, Driver airbag igniter

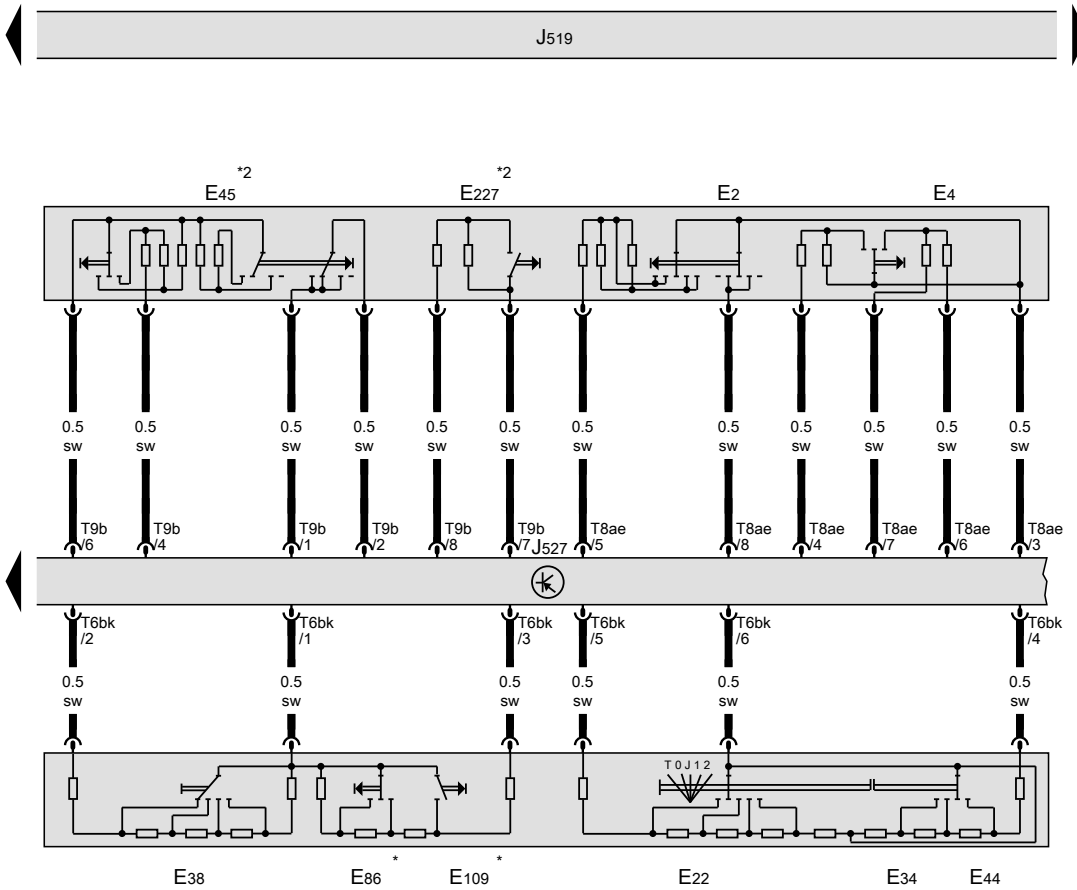
- F350 Spiral spring
- H Signal horn activation
- J234 Airbag control module
- J519 Vehicle electrical control module system
- J527 Steering column electronics control module
- J623 Engine control module
- N95 Driver airbag igniter
- T4k 4-pin connector
- T12k 12-pin connector
- T16r 16-pin connector
- T50 50-pin connector
- T75 75-pin connector

(B441) Cruise control connection (in main wiring harness)



- ws = white
- sw = black
- ro = red
- rt = red
- br = brown
- gn = green
- bl = blue
- gr = grey
- li = lilac
- vi = lilac
- ge = yellow
- or = orange
- rs = pink

15K1-121070515



Turn signal switch, Headlamp dimmer/flasher switch, Windshield wiper intermittent mode switch, Rear window wiper switch, Windshield wiper intermittent regulator, Windshield and headlamp washer pump switch, Cruise control switch, Multifunction indicator selection switch, Multifunction indicator memory switch, Cruise control -SET- button, Steering column electronics control module

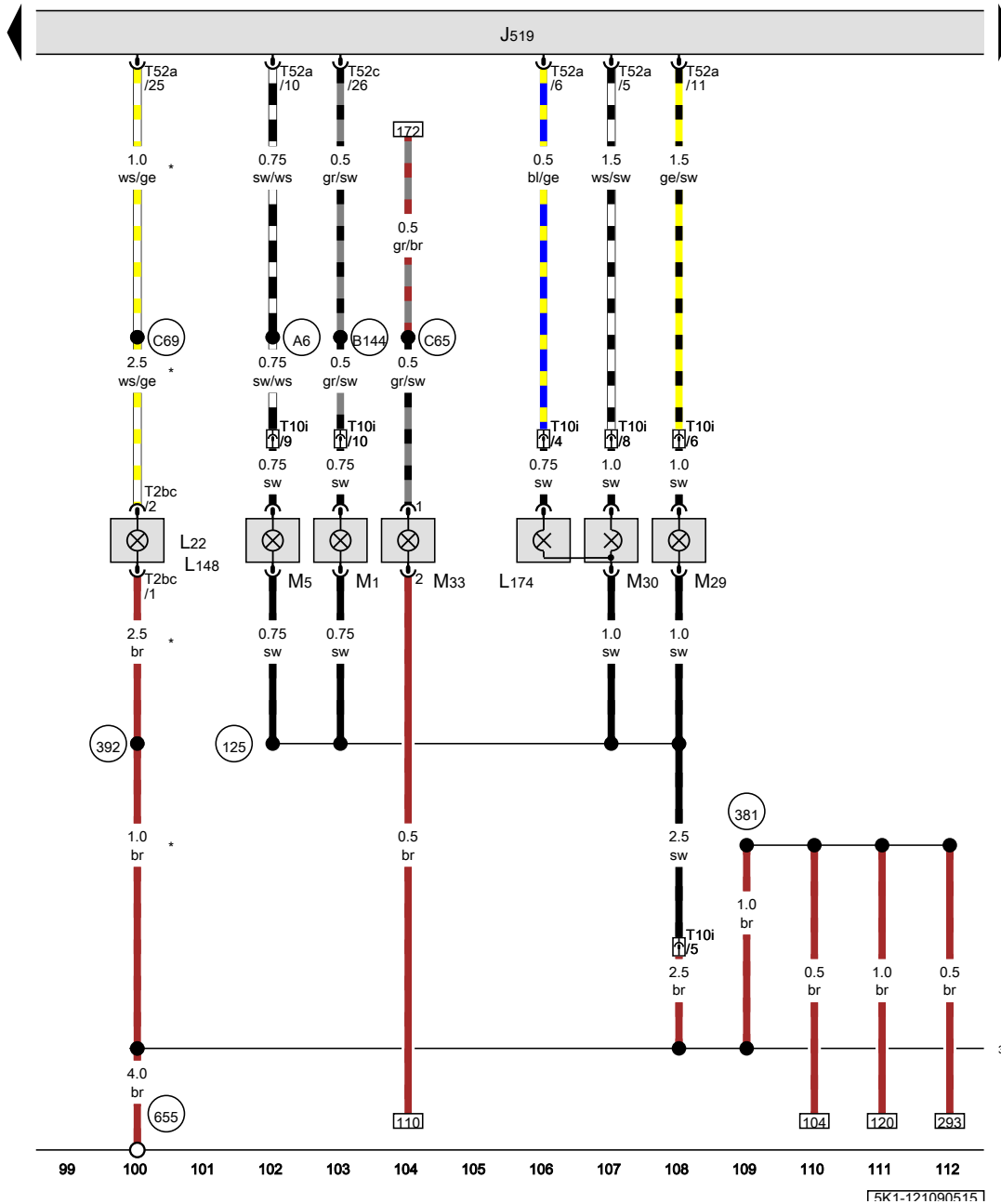
- E2 Turn signal switch
- E4 Headlamp dimmer/flasher switch
- E22 Windshield wiper intermittent mode switch
- E34 Rear window wiper switch
- E38 Windshield wiper intermittent regulator
- E44 Windshield and headlamp washer pump switch
- E45 Cruise control switch
- E86 Multifunction indicator selection switch
- E109 Multifunction indicator memory switch
- E227 Cruise control -SET- button
- J519 Vehicle electrical control module system
- J527 Steering column electronics control module
- T6bk 6-pin connector
- T8ae 8-pin connector
- T9b 9-pin connector
- \* Only for vehicles with multifunction display
- \*2 Only for vehicles with cruise control

- ws = white
- sw = black
- ro = red
- rt = red
- br = brown
- gn = green
- bl = blue
- gr = grey
- li = lilac
- vi = lilac
- ge = yellow
- or = orange
- rs = pink

85 86 87 88 89 90 91 92 93 94 95 96 97 98

15K1-121080515





Left front fog lamp bulb, Left cornering lamp bulb, Left daytime running lamp bulb, Left position lamp bulb, Left front turn signal bulb, Left low beam headlamp bulb, Left high beam headlamp bulb, Left front side marker lamp bulb

- J519 Vehicle electrical control module system
- L22 Left front fog lamp bulb
- L148 Left cornering lamp bulb
- L174 Left daytime running lamp bulb
- M1 Left position lamp bulb
- M5 Left front turn signal bulb
- M29 Left low beam headlamp bulb
- M30 Left high beam headlamp bulb
- M33 Left front side marker lamp bulb
- T2bc Double connector
- T10i 10-pin connector, on the left headlamp
- T52a 52-pin connector
- T52c 52-pin connector

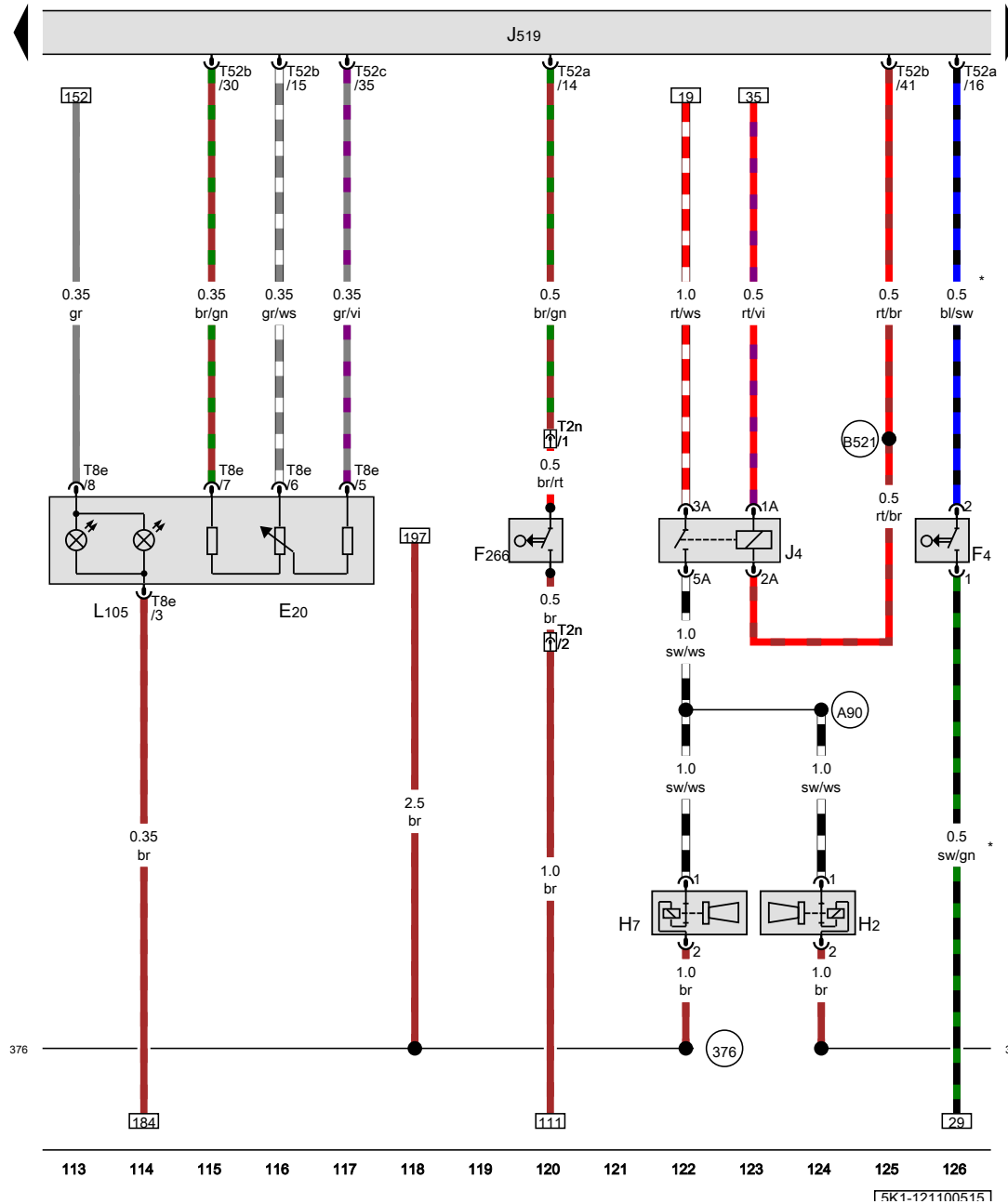
- 125 Ground connection 3 (in headlamp wiring harness)
- 376 Ground connection 11 (in main wiring harness)
- 381 Ground connection 16 (in main wiring harness)
- 392 Ground connection 27 (in main wiring harness)
- 655 Ground connection on left headlamp
- A6 Left turn signal positive connection (in instrument panel wiring harness)
- B144 Positive connection (58L) (in interior wiring harness)
- C65 Side marker lamp positive connection 1
- C69 Fog lamp connection (in left front wiring harness)

\* Only for vehicles with fog lamps

- ws = white
- sw = black
- ro = red
- rt = red
- br = brown
- gn = green
- bl = blue
- gr = grey
- li = lilac
- vi = lilac
- ge = yellow
- or = orange
- rs = pink

FSK1-121090515

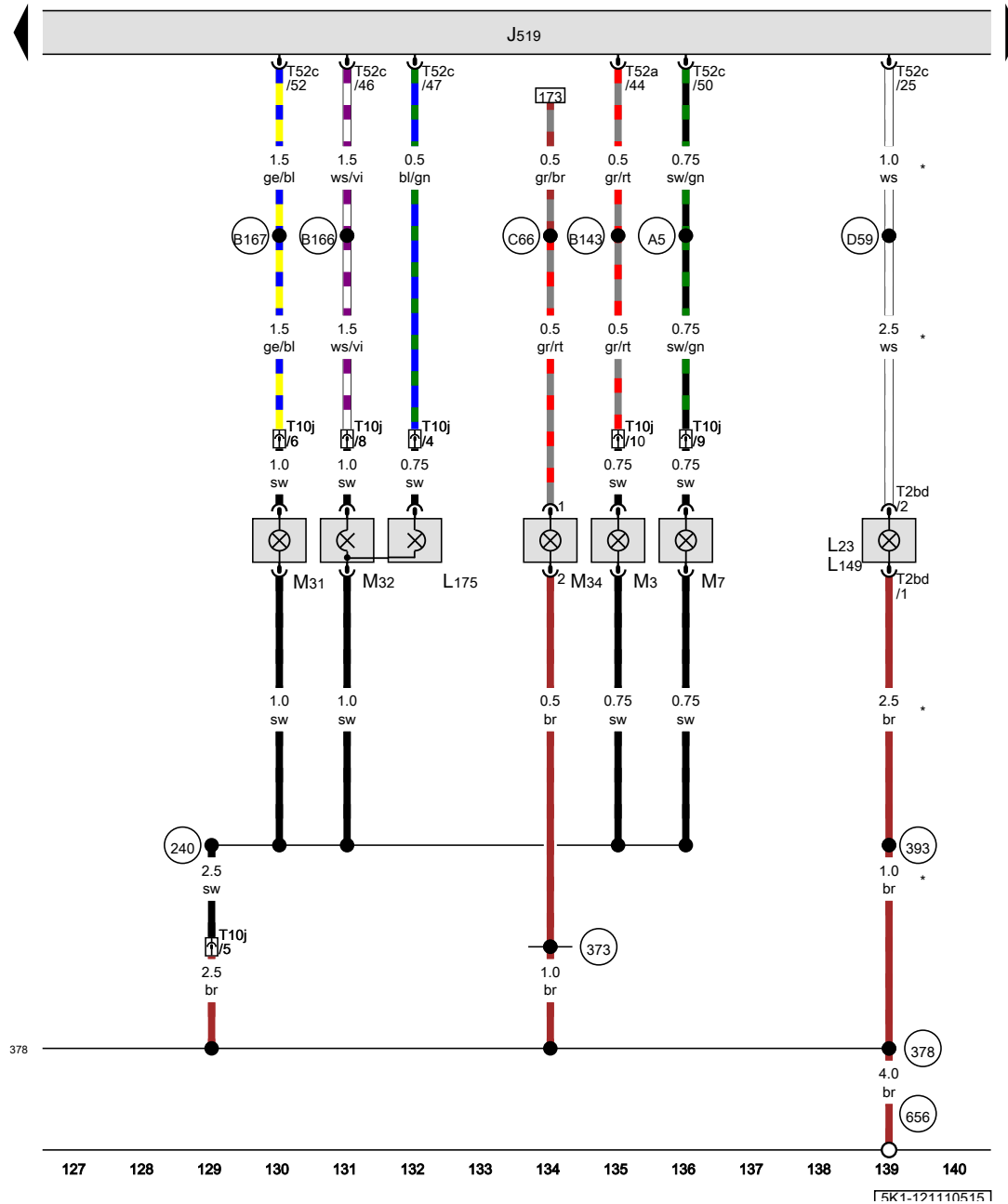
Instrument panel and switch illumination dimmer switch, Back-up lamp switch, Engine hood contact switch, High tone horn, Low tone horn, Dual tone horn relay



- E20 Instrument panel and switch illumination dimmer switch
- F4 Back-up lamp switch
- F266 Engine hood contact switch
- H2 High tone horn
- H7 Low tone horn
- J4 Dual tone horn relay
- J519 Vehicle electrical control module system
- L105 Lighting control illumination bulb
- T2n Double connector, near the left headlamp
- T8e 8-pin connector
- T52a 52-pin connector
- T52b 52-pin connector
- T52c 52-pin connector
- 376 Ground connection 11 (in main wiring harness)
- 378 Ground connection 13 (in main wiring harness)
- A90 Dual tone horn connection (in instrument panel wiring harness)
- B521 Dual tone horn connection (in main wiring harness)
- \* not for vehicles with dual clutch transmission

- ws = white
- sw = black
- ro = red
- rt = red
- br = brown
- gn = green
- bl = blue
- gr = grey
- li = lilac
- vi = lilac
- ge = yellow
- or = orange
- rs = pink

15K1-121100515



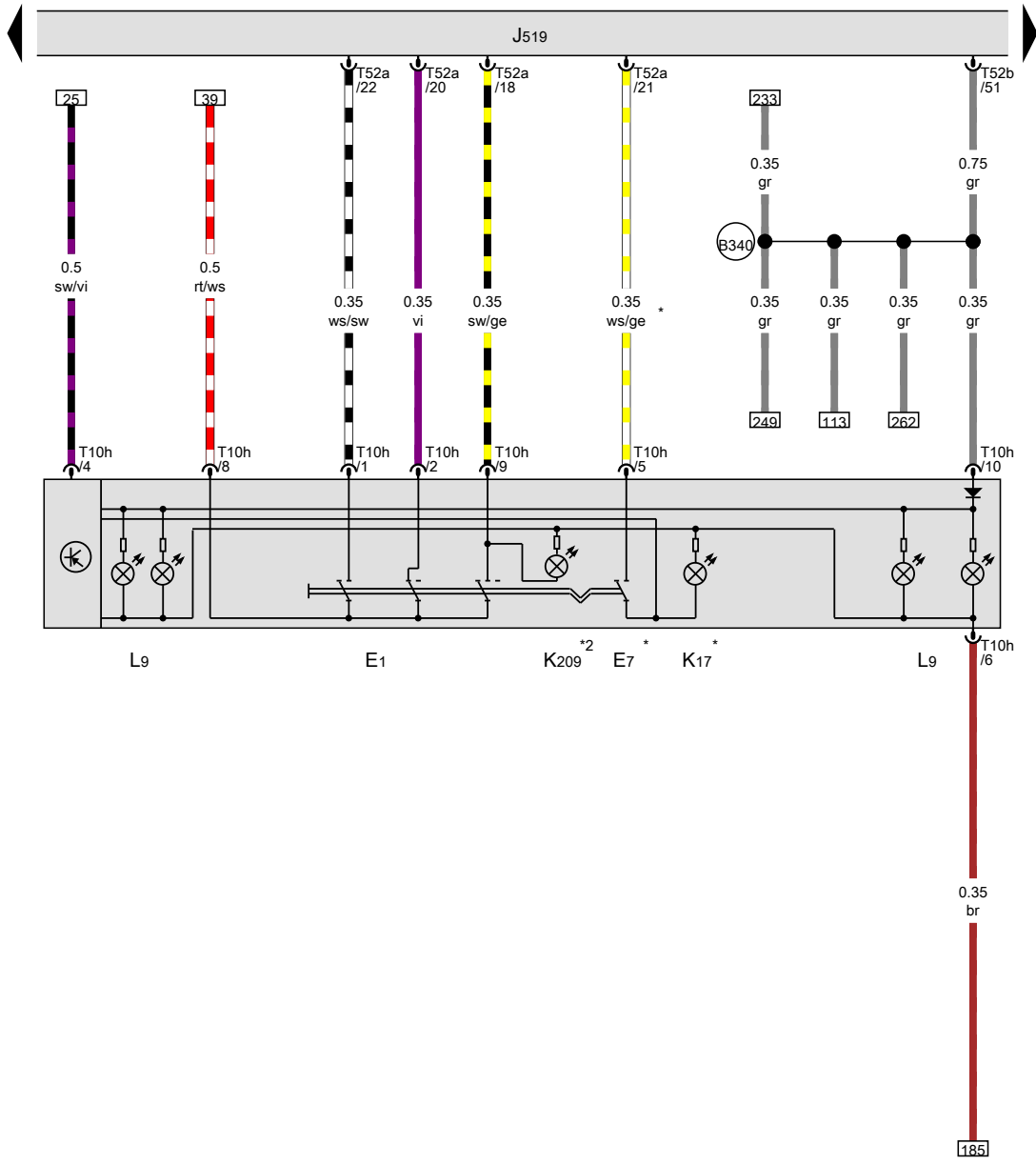
Right front fog lamp bulb, Right cornering lamp bulb, Right position lamp bulb, Right front turn signal bulb, Right low beam headlamp bulb, Right high beam headlamp bulb, Right front side marker lamp bulb

- J519 Vehicle electrical control module system
- L23 Right front fog lamp bulb
- L149 Right cornering lamp bulb
- L175 Right daytime running lamp bulb
- M3 Right position lamp bulb
- M7 Right front turn signal bulb
- M31 Right low beam headlamp bulb
- M32 Right high beam headlamp bulb
- M34 Right front side marker lamp bulb
- T2bd Double connector
- T10j 10-pin connector, on the right headlamp
- T52a 52-pin connector
- T52c 52-pin connector

- (240) Ground connection 4 (in headlamp wiring harness)
- (373) Ground connection 8 (in main wiring harness)
- (378) Ground connection 13 (in main wiring harness)
- (393) Ground connection 28 (in main wiring harness)
- (656) Ground connection on right headlamp
- (A5) Right turn signal positive connection (in instrument panel wiring harness)
- (B143) Positive connection (58R) (in interior wiring harness)
- (B166) Connection 56a (in interior wiring harness)
- (B167) Connection 56b (in interior wiring harness)
- (C66) Side marker lamp positive connection 2
- (D59) Fog lamp connection (in engine compartment wiring harness)
- \* Only for vehicles with fog lamps

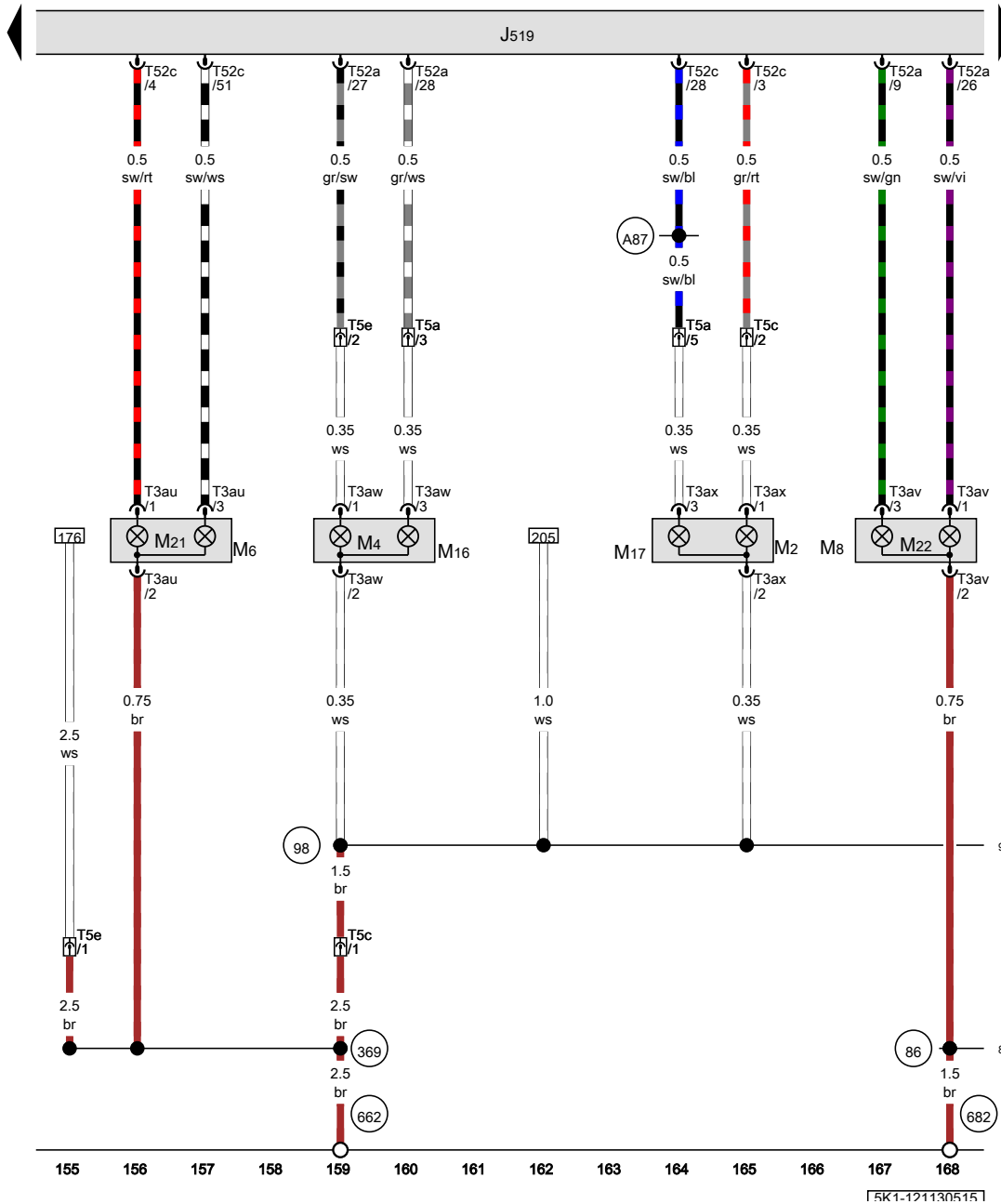
- ws = white
- sw = black
- ro = red
- rt = red
- br = brown
- gn = green
- bl = blue
- gr = grey
- li = lilac
- vi = lilac
- ge = yellow
- or = orange
- rs = pink

Light switch, Fog lamp switch, Fog lamp indicator lamp, Automatic light control indicator lamp



- E1 Light switch
- E7 Fog lamp switch
- J519 Vehicle electrical control module system
- K17 Fog lamp indicator lamp
- K209 Automatic light control indicator lamp
- L9 Headlamp switch illumination bulb
- T10h 10-pin connector
- T52a 52-pin connector
- T52b 52-pin connector
- B340 Connection 58d (in main wiring harness) 1
- \* Only for vehicles with fog lamps
- \*2 Only for vehicles with automatic headlamp assist

- ws = white
- sw = black
- ro = red
- rt = red
- br = brown
- gn = green
- bl = blue
- gr = grey
- li = lilac
- vi = lilac
- ge = yellow
- or = orange
- rs = pink



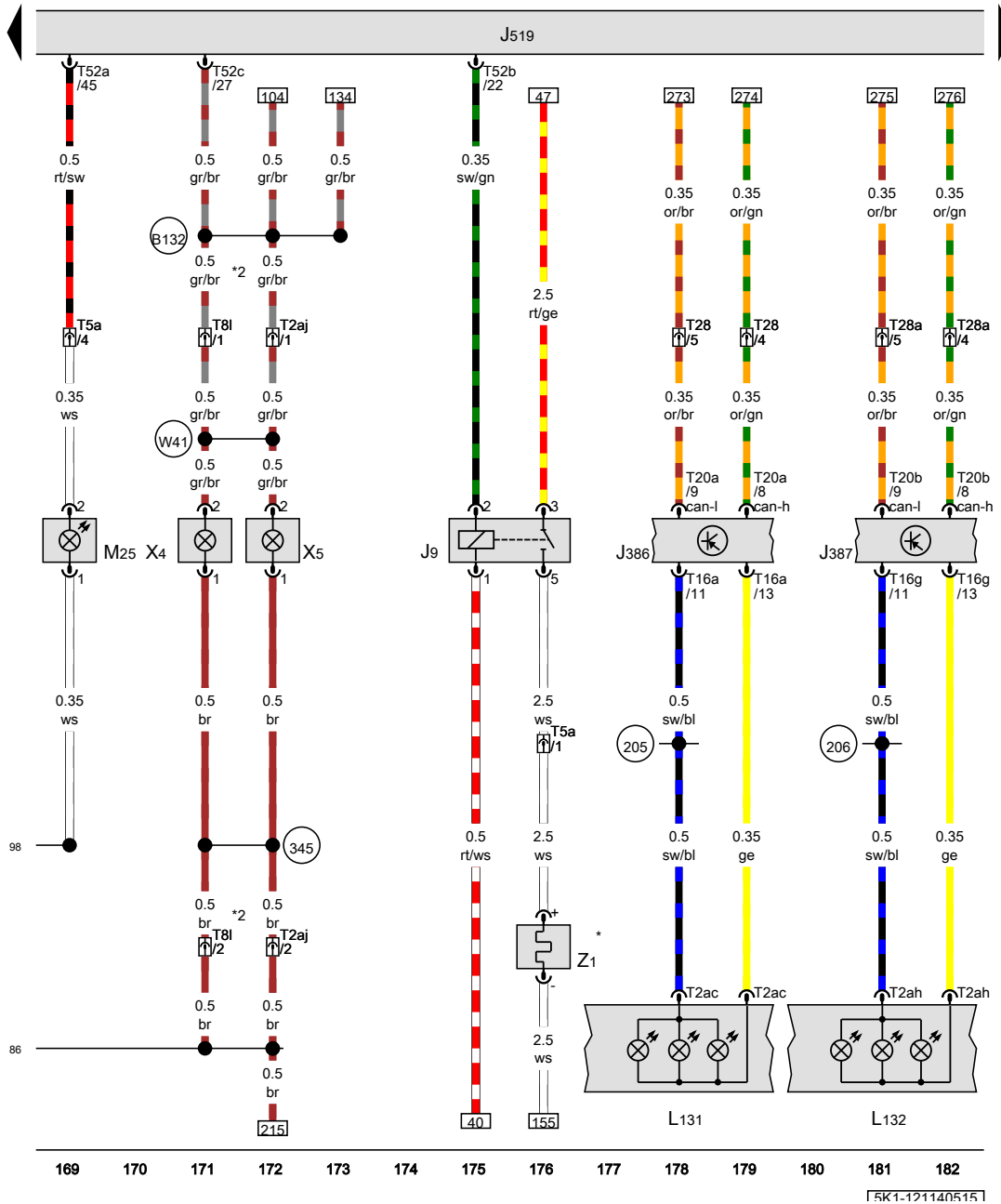
Right tail lamp bulb, Left tail lamp bulb, Left rear turn signal bulb, Right rear turn signal bulb, Left back-up lamp bulb, Right back-up lamp bulb, Left brake/tail lamp bulb, Right brake/tail lamp bulb

- J519 Vehicle electrical control module system
- M2 Right tail lamp bulb
- M4 Left tail lamp bulb
- M6 Left rear turn signal bulb
- M8 Right rear turn signal bulb
- M16 Left back-up lamp bulb
- M17 Right back-up lamp bulb
- M21 Left brake/tail lamp bulb
- M22 Right brake/tail lamp bulb
- T3au 3-pin connector
- T3av 3-pin connector
- T3aw 3-pin connector
- T3ax 3-pin connector
- T5a 5-pin connector, in the left rear side panel
- T5c 5-pin connector, in the left rear side panel
- T5e 5-pin connector, in the left rear side panel
- T52a 52-pin connector
- T52c 52-pin connector

- 86 Ground connection 1 (in rear wiring harness)
- 98 Ground connection (in rear lid wiring harness)
- 369 Ground connection 4 (in main wiring harness)
- 662 Ground connection in left rear side panel
- 682 Ground connection 2 in right rear side panel
- A87 Back-up lamp connection (in instrument panel wiring harness)

- ws = white
- sw = black
- ro = red
- rt = red
- br = brown
- gn = green
- bl = blue
- gr = grey
- li = lilac
- vi = lilac
- ge = yellow
- or = orange
- rs = pink

15K1-1211305151



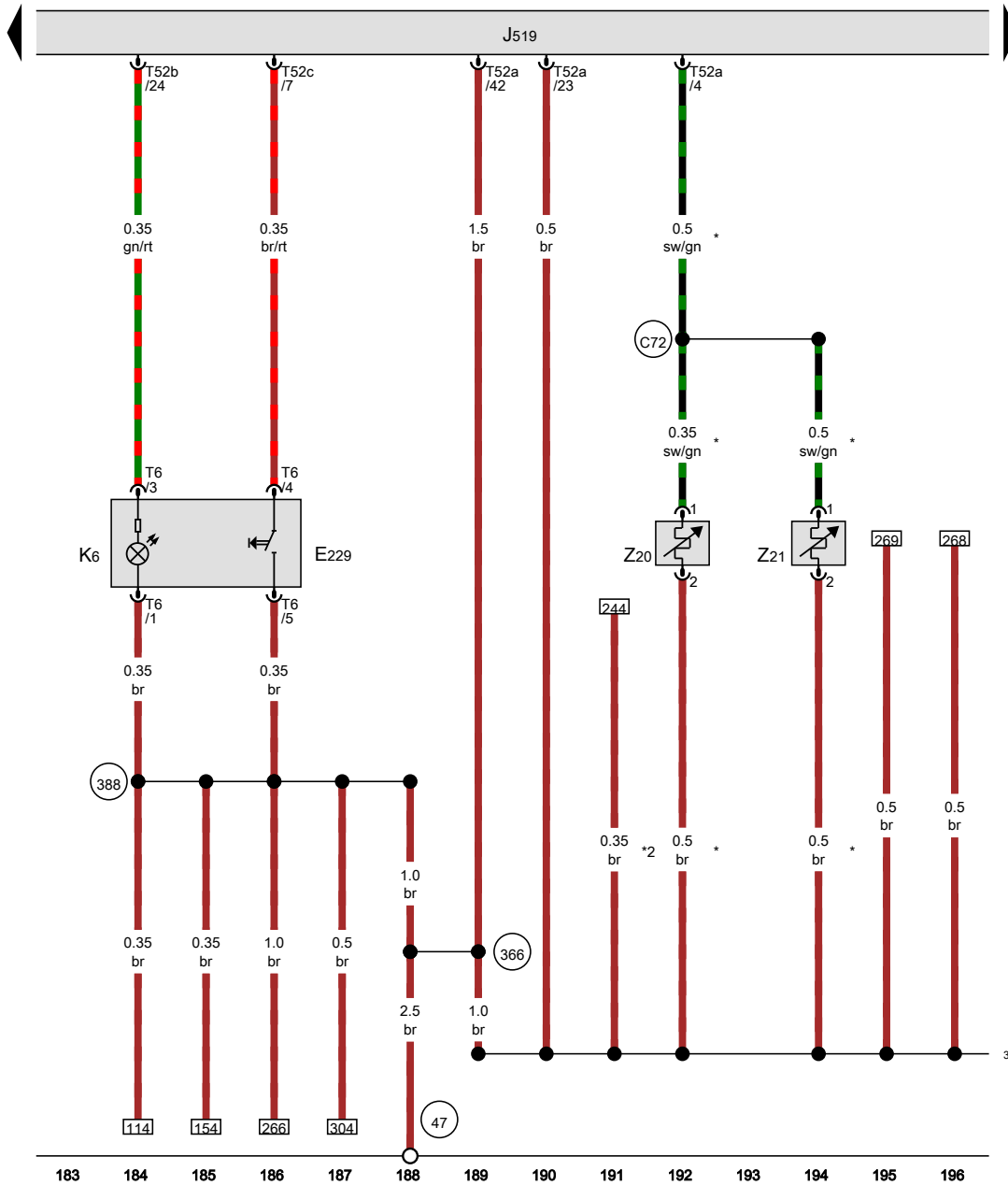
Rear window defogger relay, Driver exterior rearview mirror turn signal bulb, Front passenger exterior rearview mirror turn signal bulb, High-mounted brake lamp bulb, Left license plate lamp, Right license plate lamp, Rear window defogger

- J9 Rear window defogger relay
- J386 Driver door control module
- J387 Front passenger door control module
- J519 Vehicle electrical control module system
- L131 Driver exterior rearview mirror turn signal bulb
- L132 Front passenger exterior rearview mirror turn signal bulb
- M25 High-mounted brake lamp bulb
- T2ac Double connector
- T2ah Double connector
- T2aj Double connector, under the right rear bumper
- T5a 5-pin connector, in the left rear side panel
- T8l 8-pin connector
- T16a 16-pin connector
- T16g 16-pin connector
- T20a 20-pin connector
- T20b 20-pin connector
- T28 28-pin connector, in the left A-pillar connector station
- T28a 28-pin connector, in the left A-pillar connector station
- T52a 52-pin connector
- T52b 52-pin connector
- T52c 52-pin connector
- X4 Left license plate lamp
- X5 Right license plate lamp
- Z1 Rear window defogger

- 86 Ground connection 1 (in rear wiring harness)
- 98 Ground connection (in rear lid wiring harness)
- 205 Ground connection (in driver door wiring harness)
- 206 Ground connection (in front passenger door wiring harness)
- 345 Ground connection (in bumper wiring harness)
- B132 License plate lamp connection (in interior wiring harness)
- W41 Positive connection (58) (in license plate lamp wiring harness)

- ws = white
- sw = black
- ro = red
- rt = red
- br = brown
- gn = green
- bl = blue
- gr = grey
- li = lilac
- vi = lilac
- ge = yellow
- or = orange
- rs = pink

- \* Refer to applicable wiring diagram for radio/radio navigation system
- \*2 Only for vehicles with park distance control (PDC)



Emergency flasher button, Left washer nozzle heater, Right washer nozzle heater

- E229 Emergency flasher button
- J519 Vehicle electrical control module system
- K6 Emergency flasher indicator lamp
- T6 6-pin connector
- T52a 52-pin connector
- T52b 52-pin connector
- T52c 52-pin connector
- Z20 Left washer nozzle heater
- Z21 Right washer nozzle heater

- 47 Ground connection in right front footwell
- 366 Ground connection 1 (in main wiring harness)
- 387 Ground connection 22 (in main wiring harness)
- 388 Ground connection 23 (in main wiring harness)
- C72 Positive connection (in heated spray nozzle wiring harness)

\* Only for vehicles with heated spray nozzles  
 \*2 Only for vehicles with footwell lamp

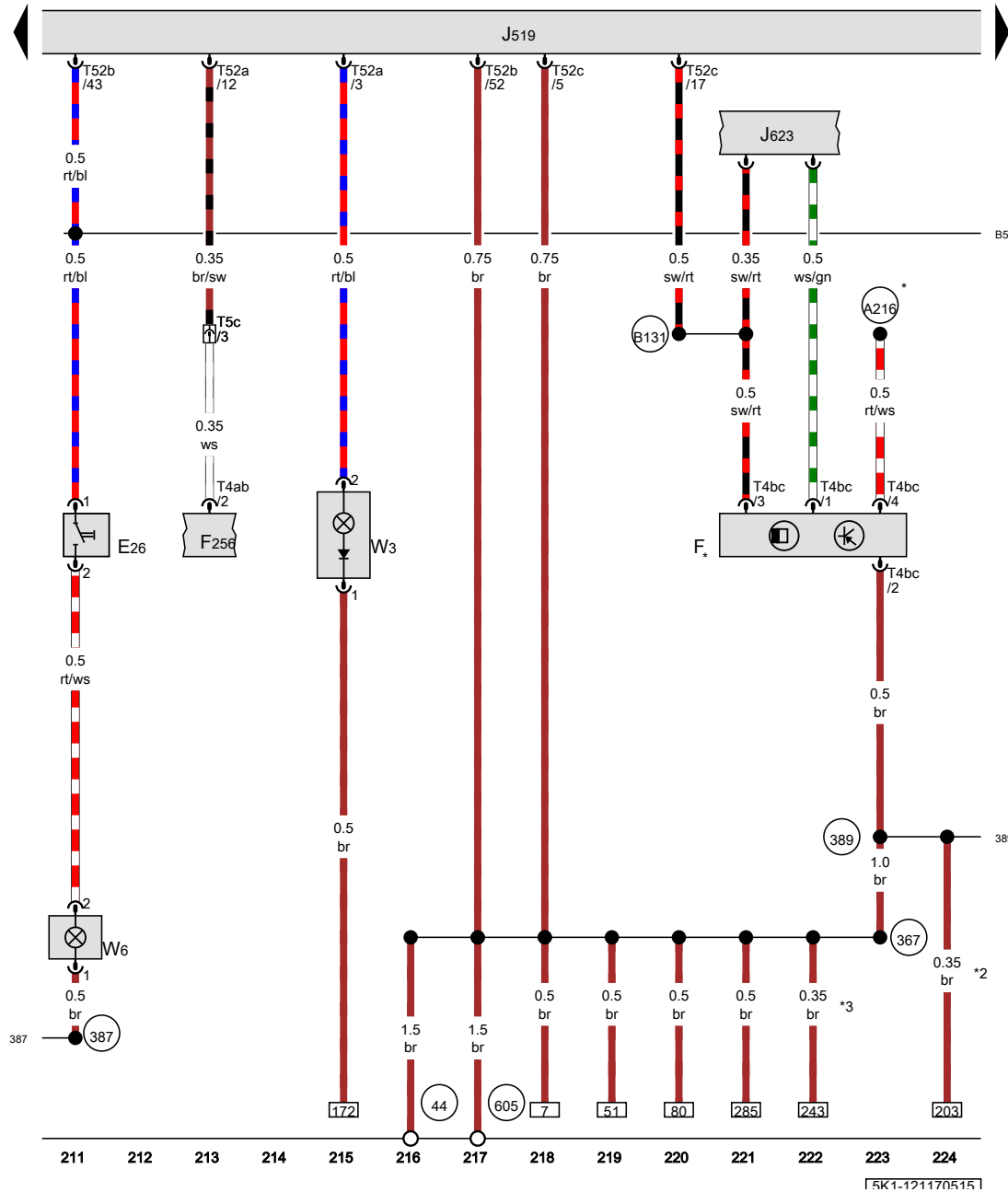
- ws = white
- sw = black
- ro = red
- rt = red
- br = brown
- gn = green
- bl = blue
- gr = grey
- li = lilac
- vi = lilac
- ge = yellow
- or = orange
- rs = pink

15K1-121150515





Glove compartment lamp switch, Brake lamp switch, Luggage compartment lamp, Glove compartment lamp

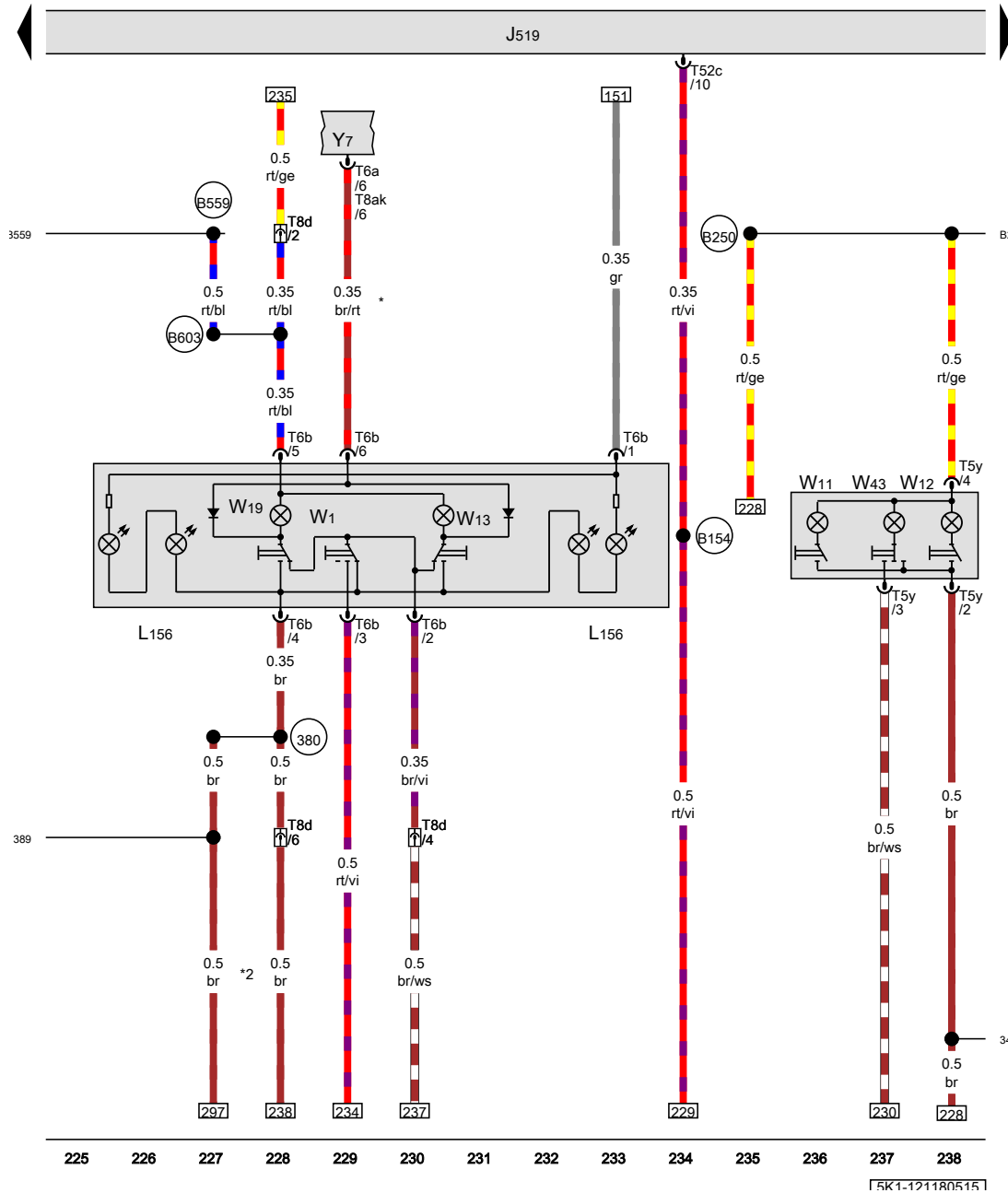


- E26 Glove compartment lamp switch
- F Brake lamp switch
- F256 Rear lid lock unit
- J519 Vehicle electrical control module system
- J623 Engine control module
- T4ab 4-pin connector
- T4bc 4-pin connector
- T5c 5-pin connector, in the left rear side panel
- T52a 52-pin connector
- T52b 52-pin connector
- T52c 52-pin connector
- W3 Luggage compartment lamp
- W6 Glove compartment lamp
- 44 Ground connection on A-pillar, lower left
- 367 Ground connection 2 (in main wiring harness)
- 387 Ground connection 22 (in main wiring harness)
- 389 Ground connection 24 (in main wiring harness)
- 605 Ground connection on upper steering column
- A216 Positive connection 2 (87a) (in instrument panel wiring harness)
- B131 Connection 54 (in interior wiring harness)
- B559 Positive connection 1 (30g) (in main wiring harness)

\* Refer to applicable engine wiring diagram  
 \*2 Only for vehicles with rain/light recognition sensor  
 \*3 Only for vehicles with footwell lamp

- ws = white
- sw = black
- ro = red
- rt = red
- br = brown
- gn = green
- bl = blue
- gr = grey
- li = lilac
- vi = lilac
- ge = yellow
- or = orange
- rs = pink

15K1-121170515



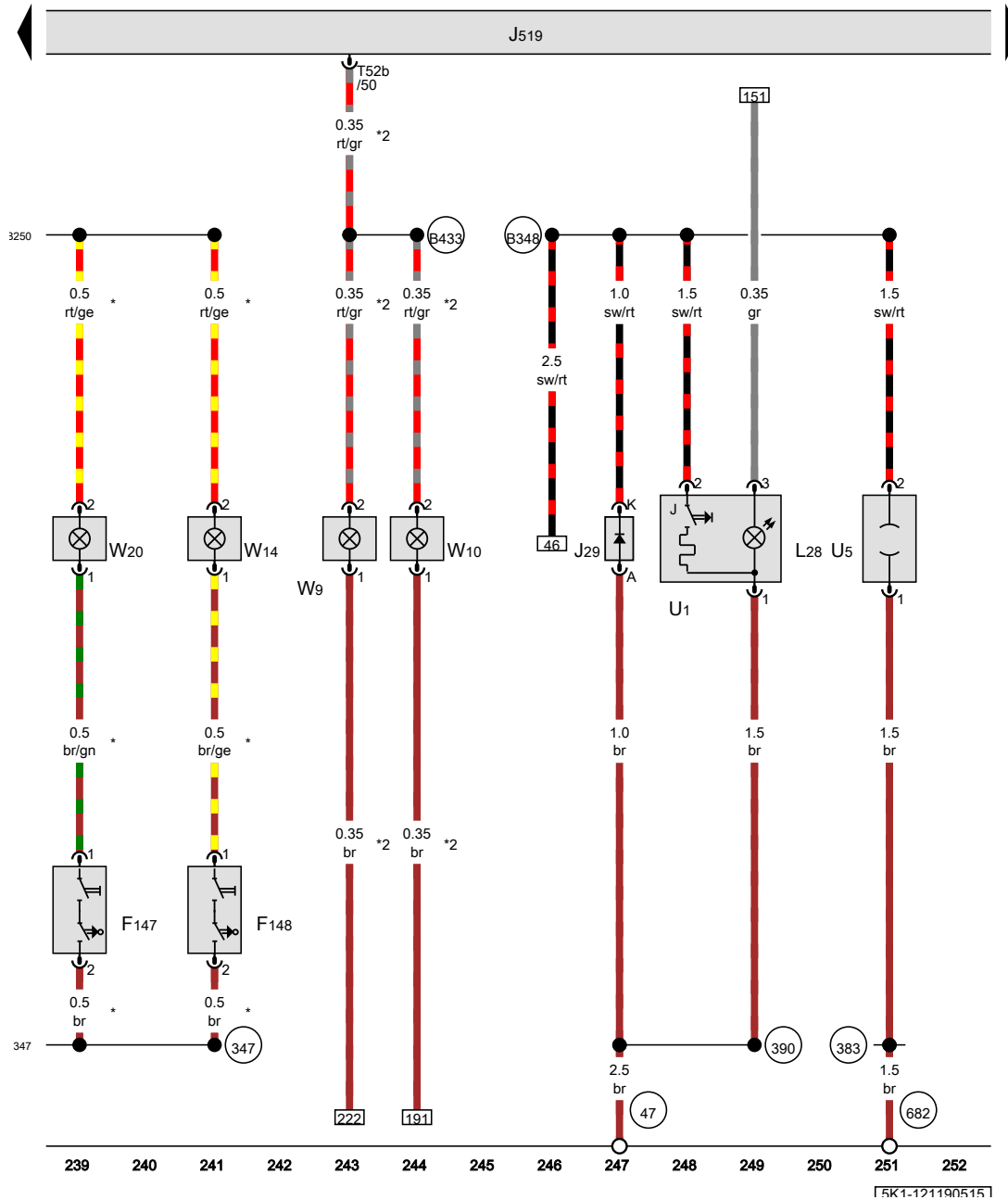
Front interior lamp, Left rear reading lamp, Right rear reading lamp, Front passenger reading lamp, Driver reading lamp, Rear interior lamp

- J519 Vehicle electrical control module system
- L156 Switch illumination bulb
- T5y 5-pin connector
- T6a 6-pin connector
- T6b 6-pin connector
- T8d 8-pin connector, near the front interior lamp
- T52c 52-pin connector
- W1 Front interior lamp
- W11 Left rear reading lamp
- W12 Right rear reading lamp
- W13 Front passenger reading lamp
- W19 Driver reading lamp
- W43 Rear interior lamp
- Y7 Automatic dimming interior rearview mirror

- (347) Ground connection (in roof wiring harness)
- (380) Ground connection 15 (in main wiring harness)
- (389) Ground connection 24 (in main wiring harness)
- B154 Connection TK (in interior wiring harness) 1
- B250 Positive connection (in roof wiring harness)
- B559 Positive connection 1 (30g) (in main wiring harness)
- B603 Positive connection 2 (30g) (in main wiring harness)

- \* Only for vehicles with automatic dimming interior rearview mirror
- \*2 Only for vehicles with brake pad wear indicator

- ws = white
- sw = black
- ro = red
- rt = red
- br = brown
- gn = green
- bl = blue
- gr = grey
- li = lilac
- vi = lilac
- ge = yellow
- or = orange
- rs = pink



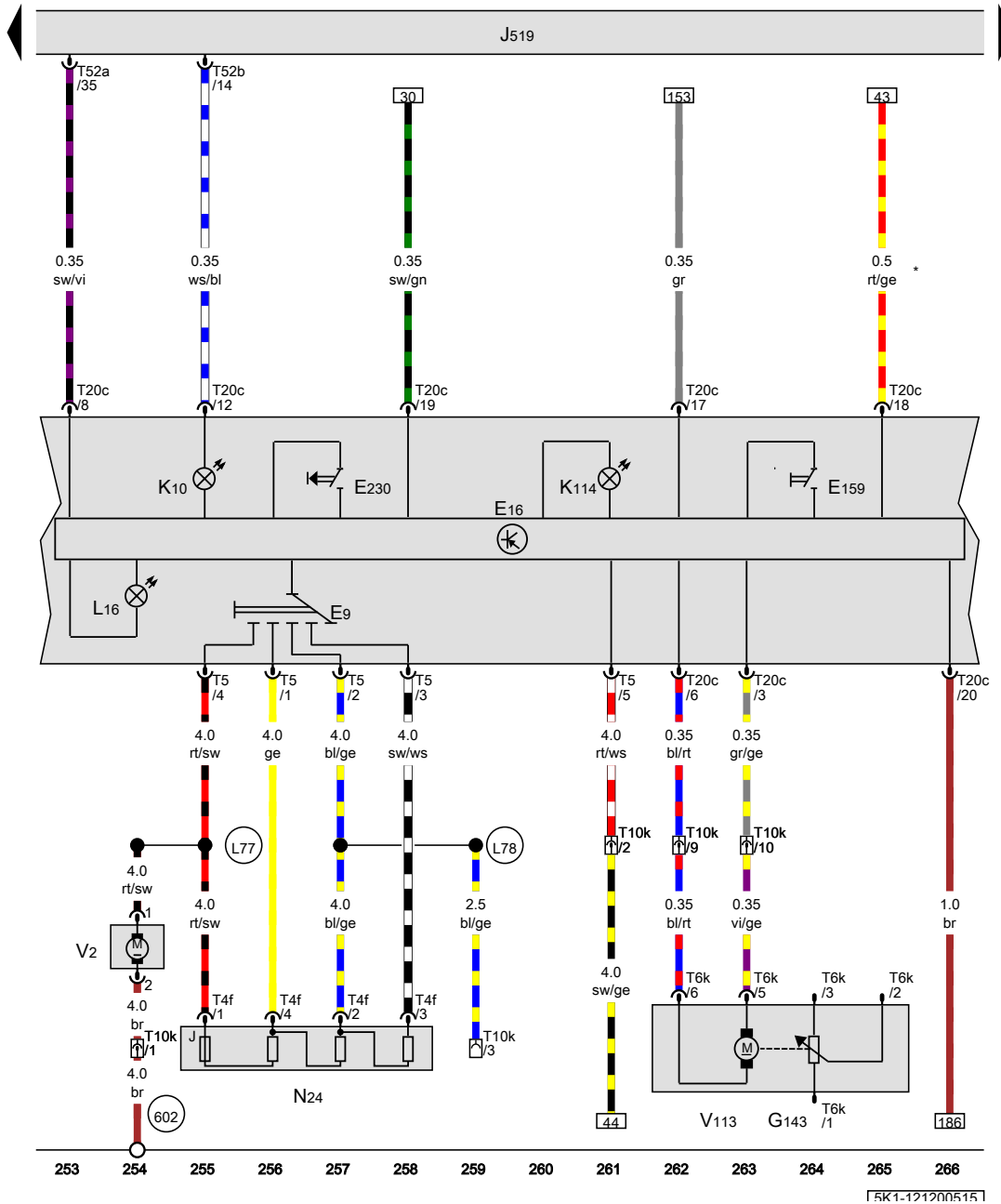
Driver vanity mirror lamp contact switch, Front passenger vanity mirror lamp contact switch, Blocking diode, Cigarette lighter illumination bulb, Cigarette lighter, 12 V socket, Left footwell lamp, Right footwell lamp, Front passenger vanity mirror lamp, Driver vanity mirror lamp

- F147 Driver vanity mirror lamp contact switch
- F148 Front passenger vanity mirror lamp contact switch
- J29 Blocking diode
- J519 Vehicle electrical control module system
- L28 Cigarette lighter illumination bulb
- T52b 52-pin connector
- U1 Cigarette lighter
- U5 12 V socket
- W9 Left footwell lamp
- W10 Right footwell lamp
- W14 Front passenger vanity mirror lamp
- W20 Driver vanity mirror lamp
- 47 Ground connection in right front footwell
- 347 Ground connection (in roof wiring harness)
- 383 Ground connection 18 (in main wiring harness)
- 390 Ground connection 25 (in main wiring harness)
- 682 Ground connection 2 in right rear side panel
- B250 Positive connection (in roof wiring harness)
- B348 Connection 75a (in main wiring harness) 1
- B433 Footwell illumination connection (in main wiring harness)

\* Only for vehicles with illuminated vanity mirror  
 \*2 Only for vehicles with footwell lamp

- ws = white
- sw = black
- ro = red
- rt = red
- br = brown
- gn = green
- bl = blue
- gr = grey
- li = lilac
- vi = lilac
- ge = yellow
- or = orange
- rs = pink

15K1-121190515



Fresh air blower switch, Heater/heat output switch, Fresh air blower series resistor with fuse, Fresh air blower, Recirculation door motor

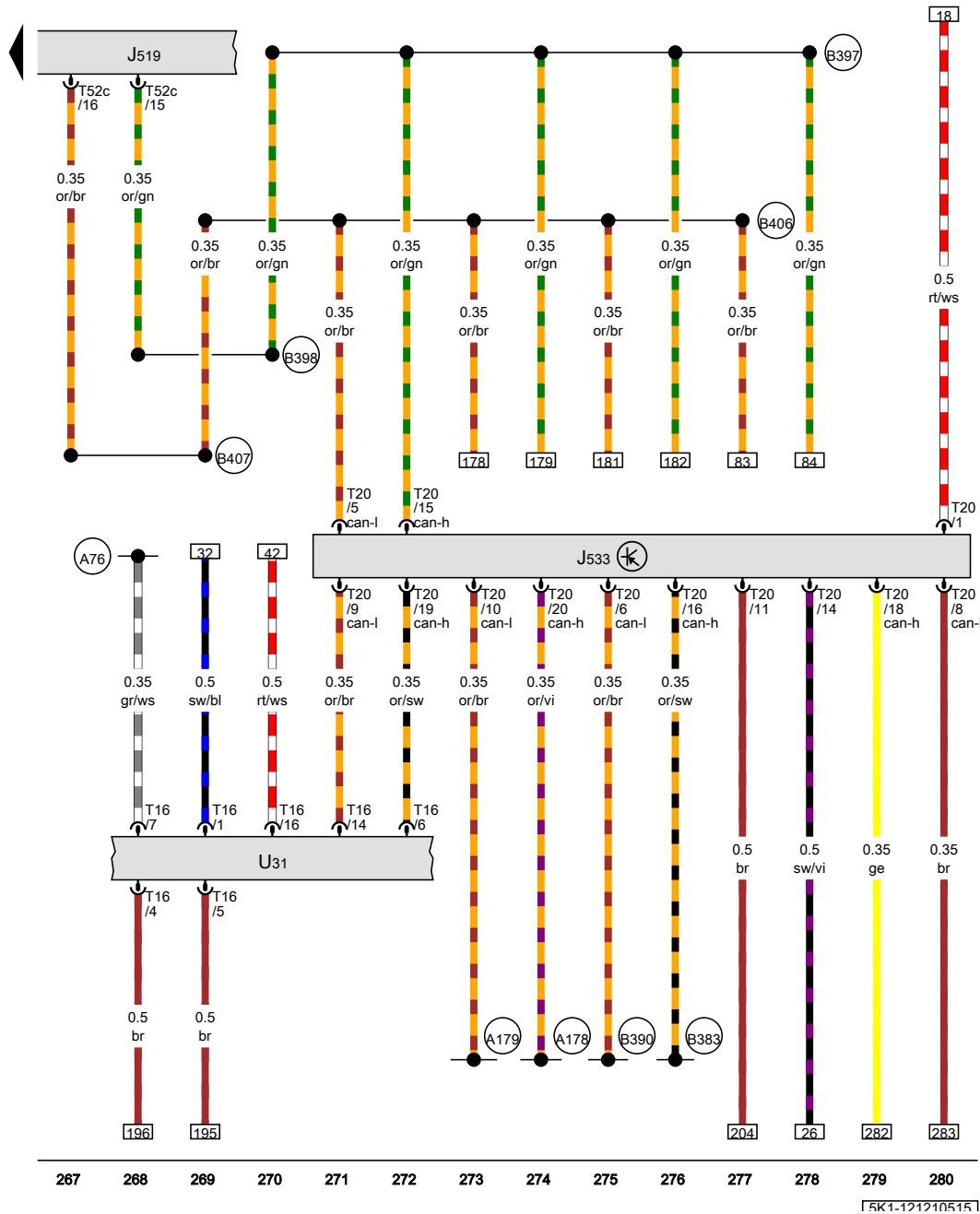
- E9 Fresh air blower switch
- E16 Heater/heat output switch, in the engine compartment, right
- E159 Fresh air/recirculation door switch
- E230 Rear window defogger button
- G143 Recirculation door motor position sensor
- J519 Vehicle electrical control module system
- K10 Rear window defogger indicator lamp
- K114 Fresh air and recirculation mode indicator lamp
- L16 Fresh air control illumination bulb
- N24 Fresh air blower series resistor with fuse
- T4f 4-pin connector
- T5 5-pin connector
- T6k 6-pin connector
- T10k 10-pin connector, behind the instrument panel, right
- T20c 20-pin connector
- T52a 52-pin connector
- T52b 52-pin connector
- V2 Fresh air blower
- V113 Recirculation door motor

- 602 Ground connection in left front footwell
- L77 Connection (in fresh air blower wiring harness)
- L78 Connection 1 (in fresh air blower wiring harness)

\* Only for vehicles with auxiliary water heater

- ws = white
- sw = black
- ro = red
- rt = red
- br = brown
- gn = green
- bl = blue
- gr = grey
- li = lilac
- vi = lilac
- ge = yellow
- or = orange
- rs = pink

15K1-121200515

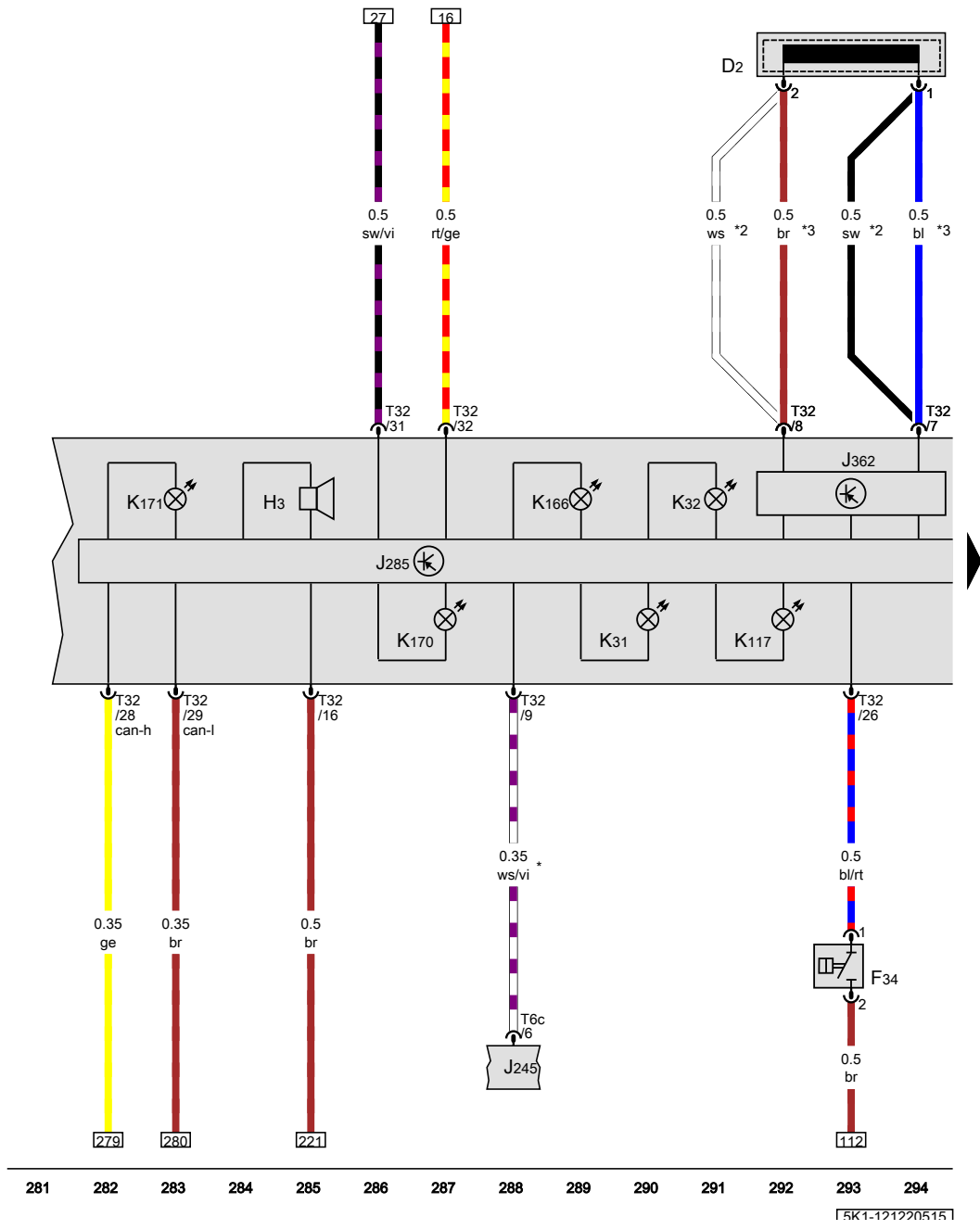


Data bus on board diagnostic interface, Diagnostic connection

- J519 Vehicle electrical control module system
- J533 Data bus on board diagnostic interface, in the left footwell, near the center console
- T16 16-pin connector
- T20 20-pin connector
- T52c 52-pin connector
- U31 Diagnostic connection
- (A76) KS-diagnostic lead connection (in instrument panel wiring harness)
- (A178) Infotainment CAN bus high connection (in instrument panel wiring harness)
- (A179) Infotainment CAN bus low connection (in instrument panel wiring harness)
- (B383) Powertrain CAN bus high connection 1 (in main wiring harness)
- (B390) Powertrain CAN bus low connection 1 (in main wiring harness)
- (B397) Comfort system CAN bus high connection 1 (in main wiring harness)
- (B398) Comfort system CAN bus high connection 2 (in main wiring harness)
- (B406) Comfort system CAN bus low connection 1 (in main wiring harness)
- (B407) Comfort system CAN bus low connection 2 (in main wiring harness)

Anti-theft immobilizer reader coil, Brake fluid level warning switch, Warning buzzer and tone, Instrument cluster control module, Cruise control indicator lamp, Anti-theft immobilizer indicator lamp, Door ajar indicator lamp, Lamp failure indicator lamp, Hood -open- indicator lamp

- D2 Anti-theft immobilizer reader coil
- F34 Brake fluid level warning switch
- H3 Warning buzzer and tone
- J245 Power sunroof control module
- J285 Instrument cluster control module
- J362 Anti-theft immobilizer control module
- K31 Cruise control indicator lamp
- K32 Brake pad wear indicator lamp
- K117 Anti-theft immobilizer indicator lamp
- K166 Door ajar indicator lamp
- K170 Lamp failure indicator lamp
- K171 Hood -open- indicator lamp
- T6c 6-pin connector
- T32 32-pin connector
- \* Speed signal
- \*2 only for vehicles with access/start authorization system
- \*3 Only for vehicles without access/start authorization system



Parking brake indicator lamp switch, Tachometer, Speedometer, Windshield washer fluid level sensor, Left front brake pad wear sensor, Instrument cluster control module, High beam indicator lamp, Windshield washer fluid level indicator lamp

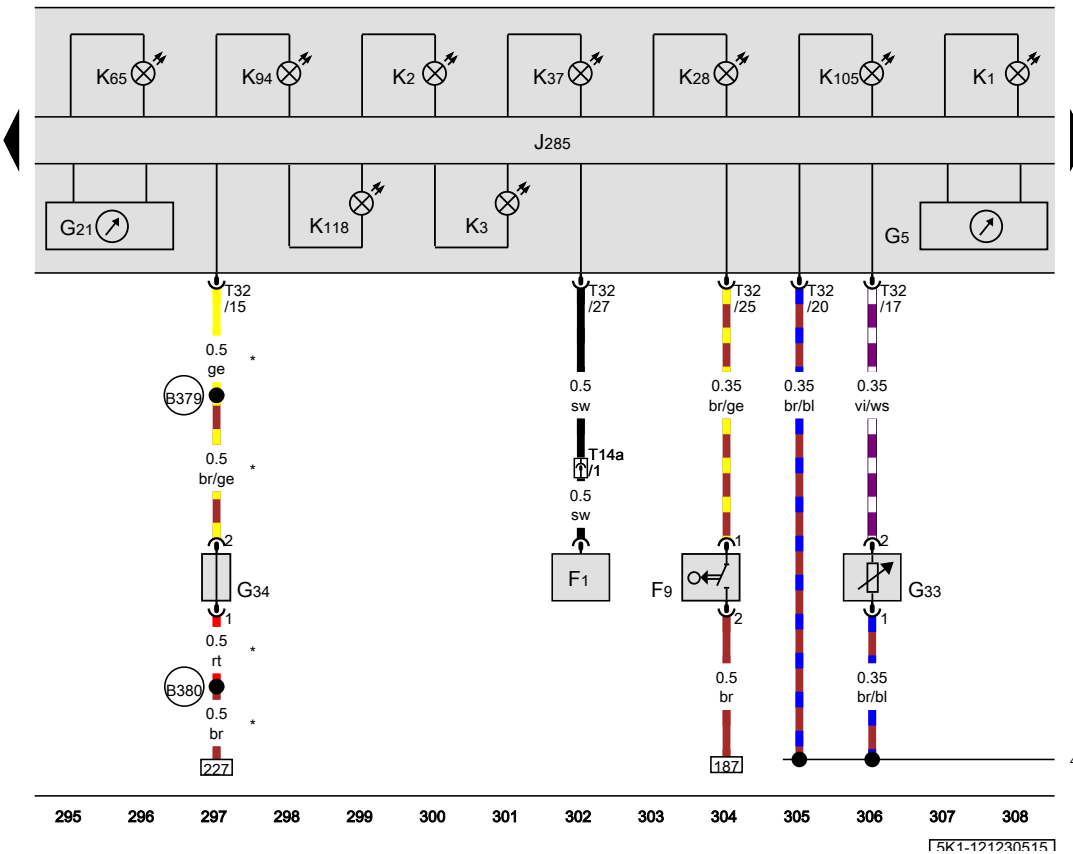
- F1 Oil pressure switch
- F9 Parking brake indicator lamp switch
- G5 Tachometer
- G21 Speedometer
- G33 Windshield washer fluid level sensor
- G34 Left front brake pad wear sensor
- J285 Instrument cluster control module
- K1 High beam indicator lamp
- K2 Generator indicator lamp
- K3 Oil pressure indicator lamp
- K28 Engine coolant level/temperature indicator lamp
- K37 Windshield washer fluid level indicator lamp
- K65 Indicator lamp for left turn signal
- K94 Right turn signal indicator lamp
- K105 Low fuel level indicator lamp
- K118 Brake system indicator lamp
- T14a 14-pin connector, near the battery
- T32 32-pin connector

410 Sensor ground connection 1 (in main wiring harness)

B379 Brake wear indicator connection 1 (in main wiring harness)

B380 Brake wear indicator connection 2 (in main wiring harness)

\* Only for vehicles with brake pad wear indicator

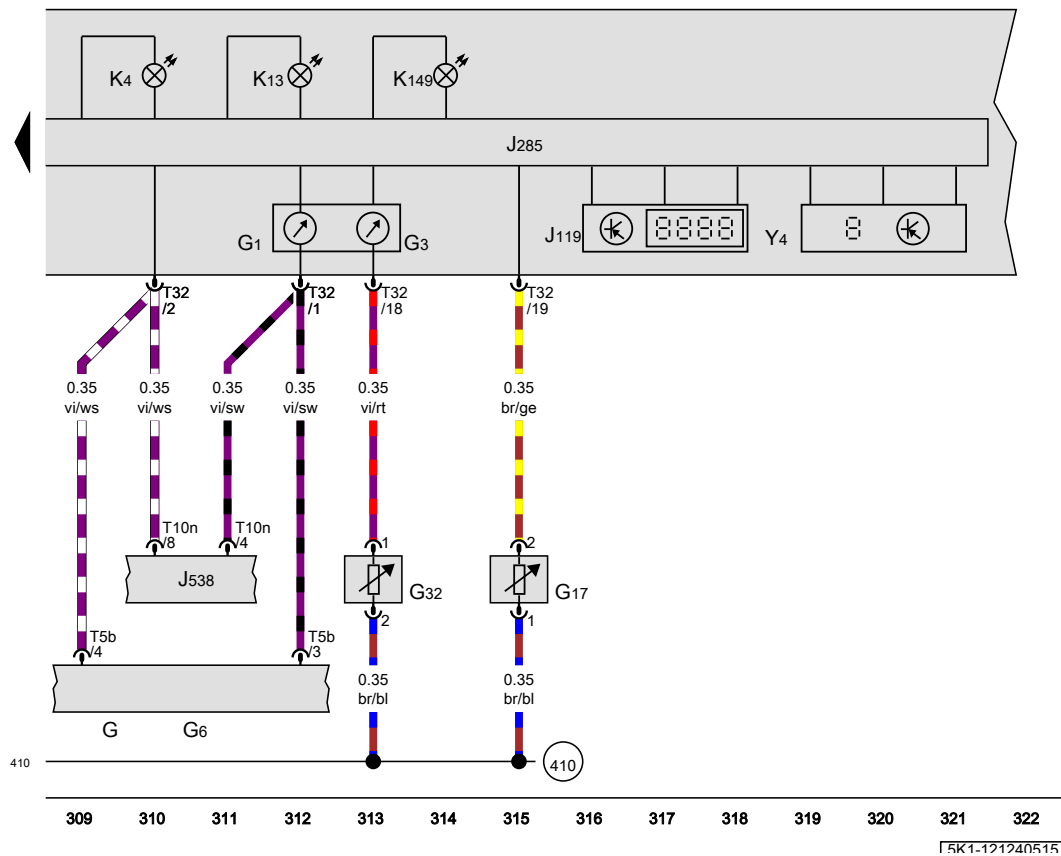


- ws = white
- sw = black
- ro = red
- rt = red
- br = brown
- gn = green
- bl = blue
- gr = grey
- li = lilac
- vi = lilac
- ge = yellow
- or = orange
- rs = pink

Fuel gauge, Engine coolant temperature gauge, Outside air temperature sensor, Engine coolant level sensor, Multifunction indicator, Instrument cluster control module, Position lamp indicator lamp, Rear fog lamp indicator lamp, Engine electronics indicator lamp, Odometer display

- G Fuel level sensor
- G1 Fuel gauge
- G3 Engine coolant temperature gauge
- G6 Transfer fuel pump
- G17 Outside air temperature sensor
- G32 Engine coolant level sensor
- J119 Multifunction indicator
- J285 Instrument cluster control module
- J538 Fuel pump control module
- K4 Position lamp indicator lamp
- K13 Rear fog lamp indicator lamp
- K149 Engine electronics indicator lamp
- T5b 5-pin connector
- T10n 10-pin connector
- T32 32-pin connector
- Y4 Odometer display

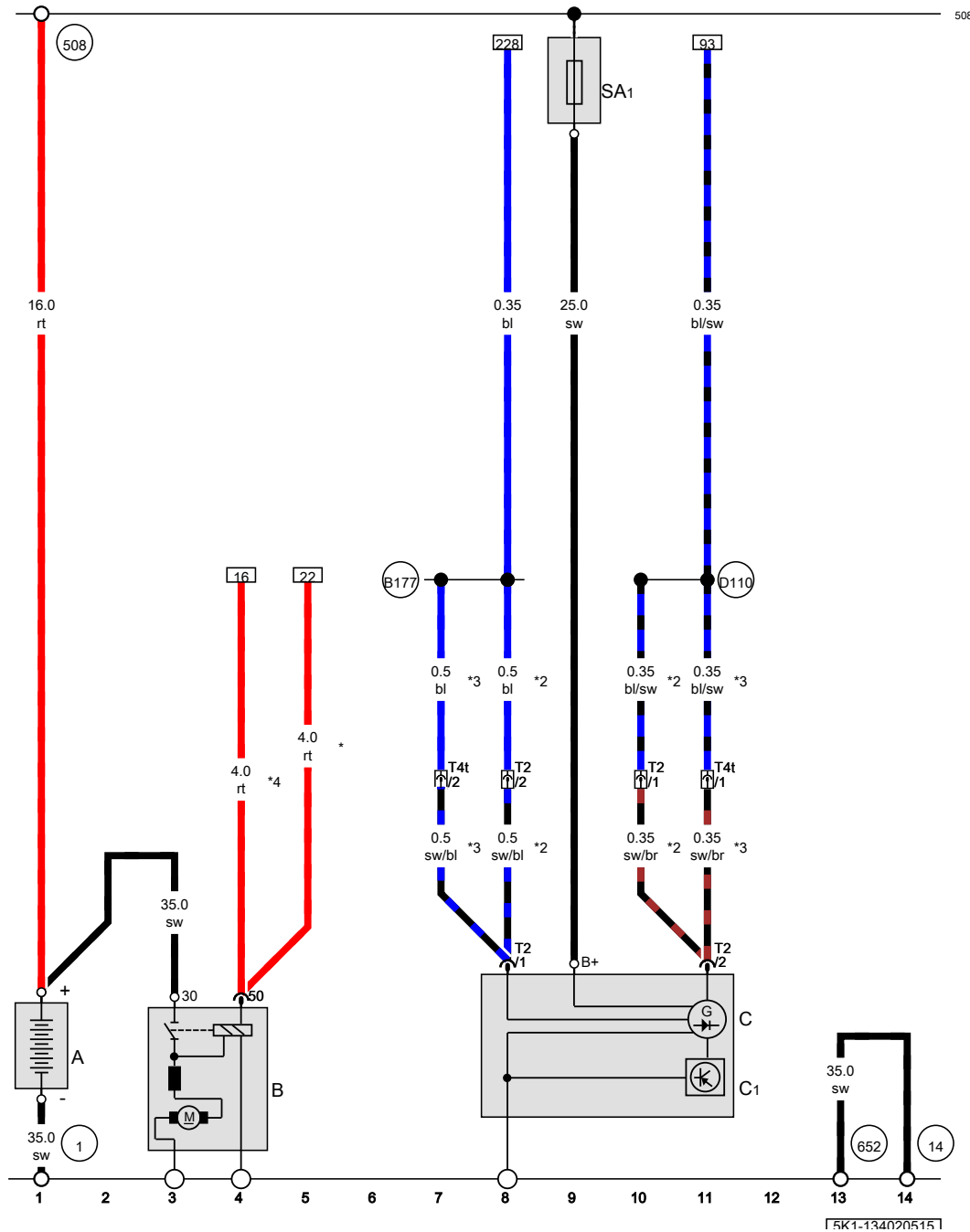
410 Sensor ground connection 1 (in main wiring harness)



- ws = white
- sw = black
- ro = red
- rt = red
- br = brown
- gn = green
- bl = blue
- gr = grey
- li = lilac
- vi = lilac
- ge = yellow
- or = orange
- rs = pink



2.0L gasoline engine , CBFA  
from November 2011



Battery, Starter, Generator, Fuse 1 (on fuse panel A)

- A Battery
- B Starter
- C Generator
- C1 Voltage regulator
- SA1 Fuse 1 (on fuse panel A)
- T2 Double connector, near the starter
- T4t 4-pin connector, near the starter

- 1 Ground strap, battery to body
- 14 Ground connection on transmission
- 508 Terminal 30 threaded connection (on E-box)
- 652 Transmission/engine ground connection
- B177 Connection 61 (in interior wiring harness)
- D110 Connection 8 (in engine compartment wiring harness)
- \* only for vehicles with access/start authorization system
- \*2 Only for vehicles without an A/C system
- \*3 Only for vehicles with A/C system
- \*4 Only for vehicles without access/start authorization system

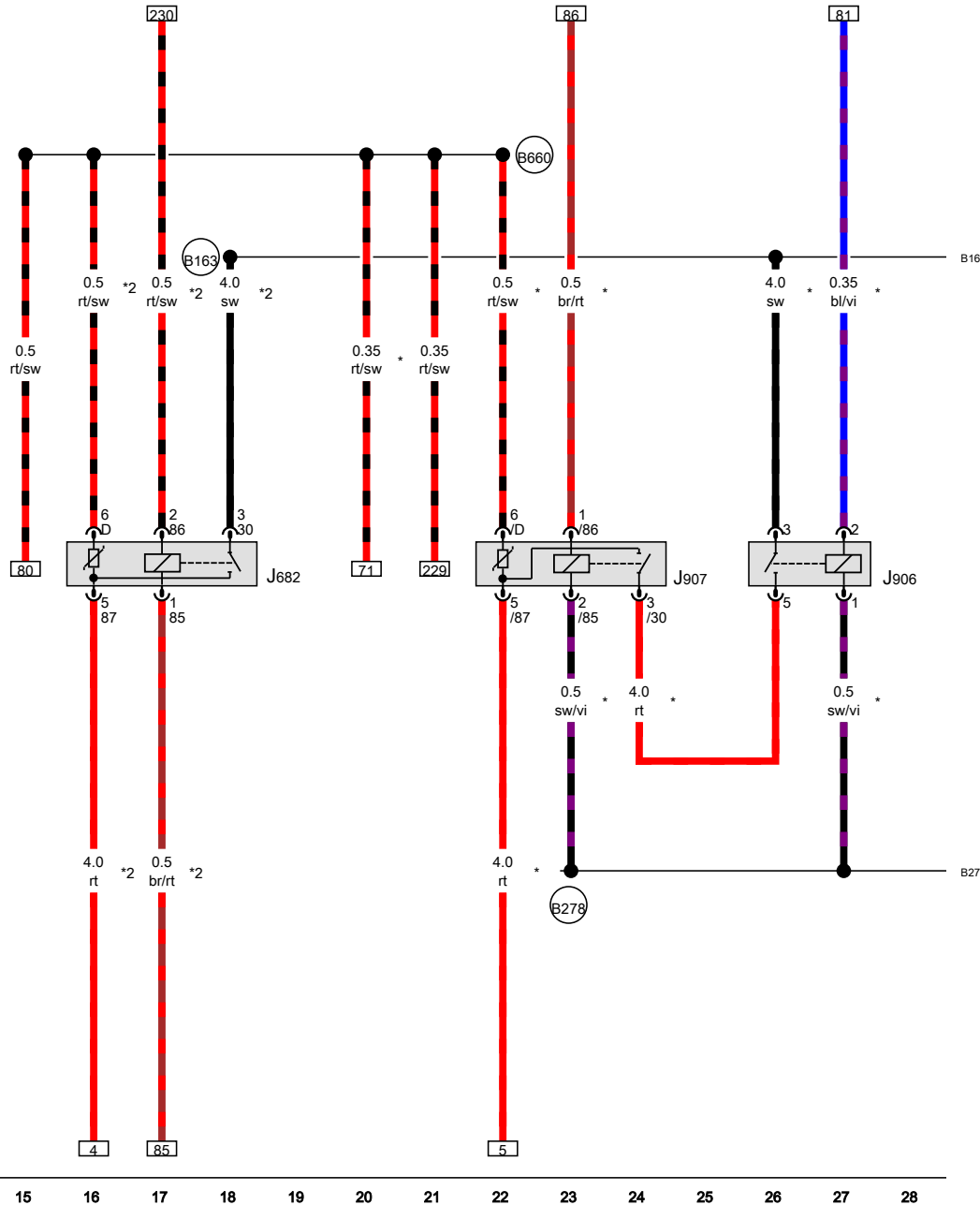
- ws = white
- sw = black
- ro = red
- rt = red
- br = brown
- gn = green
- bl = blue
- gr = grey
- li = lilac
- vi = lilac
- ge = yellow
- or = orange
- rs = pink

1FK1-1340205151

508 508

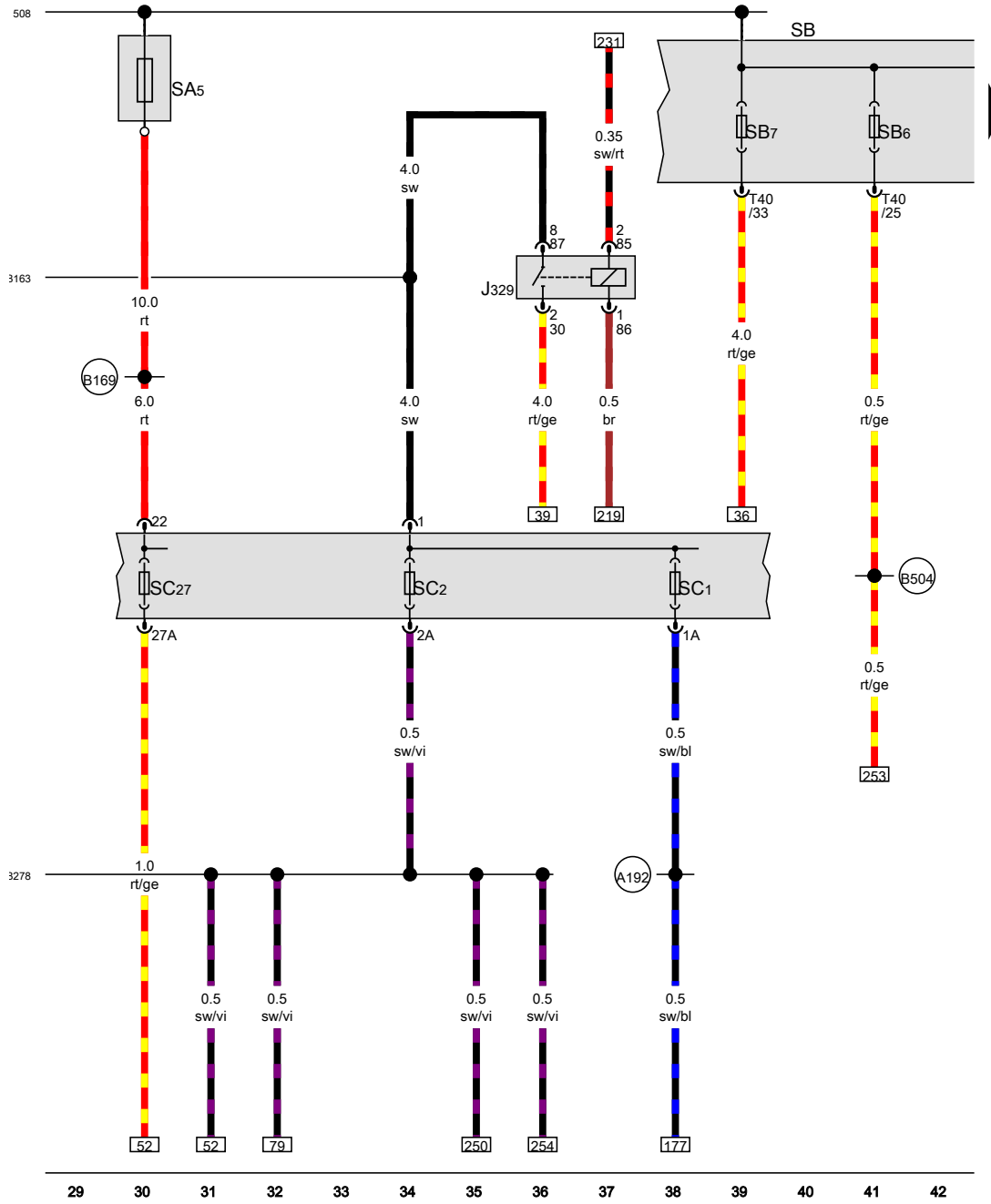
Terminal 50 power supply relay, Starter relay 1, Starter relay 2

- J682 Terminal 50 power supply relay
- J906 Starter relay 1
- J907 Starter relay 2
- (508) Terminal 30 threaded connection (on E-box)
- (B163) Positive connection 1 (15) (in interior wiring harness)
- (B278) Positive connection 2 (15a) (in main wiring harness)
- (B660) Diagnostic terminal 50 connection (in main wiring harness)
- \* only for vehicles with access/start authorization system
- \*2 Only for vehicles without access/start authorization system



- ws = white
- sw = black
- ro = red
- rt = red
- br = brown
- gn = green
- bl = blue
- gr = grey
- li = lilac
- vi = lilac
- ge = yellow
- or = orange
- rs = pink

15K1-134030515



**Terminal 15 power supply relay, Fuse 5 (on fuse panel A), Fuse panel B**

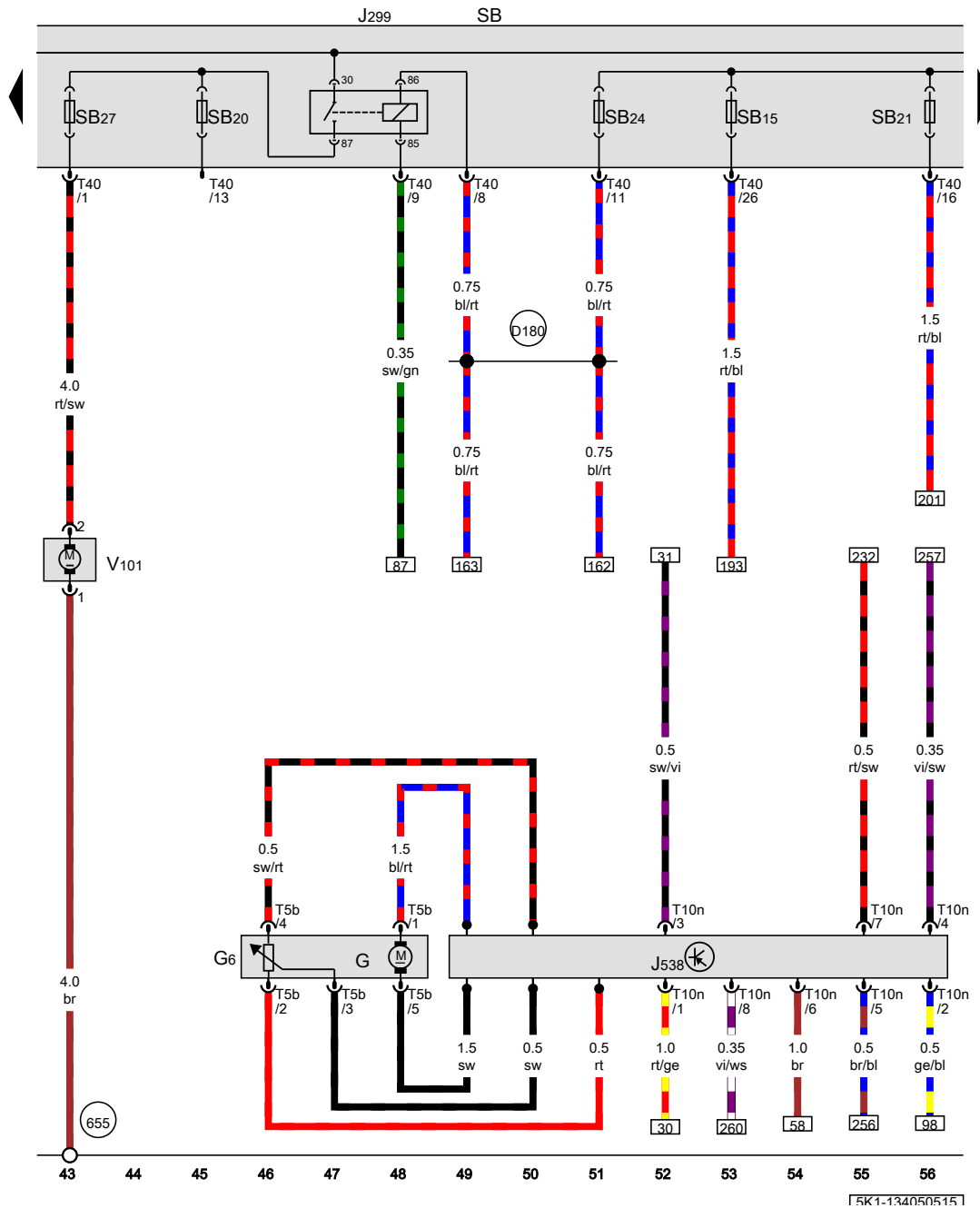
- J329 Terminal 15 power supply relay
- SC1 Fuse 1 (on fuse panel C)
- SC2 Fuse 2 (on fuse panel C)
- SA5 Fuse 5 (on fuse panel A)
- SB Fuse panel B
- SB6 Fuse 6 (on fuse panel B)
- SB7 Fuse 7 (on fuse panel B)
- SC27 Fuse 27 (on fuse panel C)
- T40 40-pin connector

- (508) Terminal 30 threaded connection (on E-box)
- (A192) Positive connection 3 (15a) (in instrument panel wiring harness)
- (B163) Positive connection 1 (15) (in interior wiring harness)
- (B169) Positive connection 1 (30) (in interior wiring harness)
- (B278) Positive connection 2 (15a) (in main wiring harness)
- (B504) Positive connection 8 (30a) (in interior wiring harness)

- ws = white
- sw = black
- ro = red
- rt = red
- br = brown
- gn = green
- bl = blue
- gr = grey
- li = lilac
- vi = lilac
- ge = yellow
- or = orange
- rs = pink

15K1-134040515

Fuel level sensor, Transfer fuel pump, Secondary air injection pump relay, Fuel pump control module, Fuse panel B, Secondary air injection pump motor

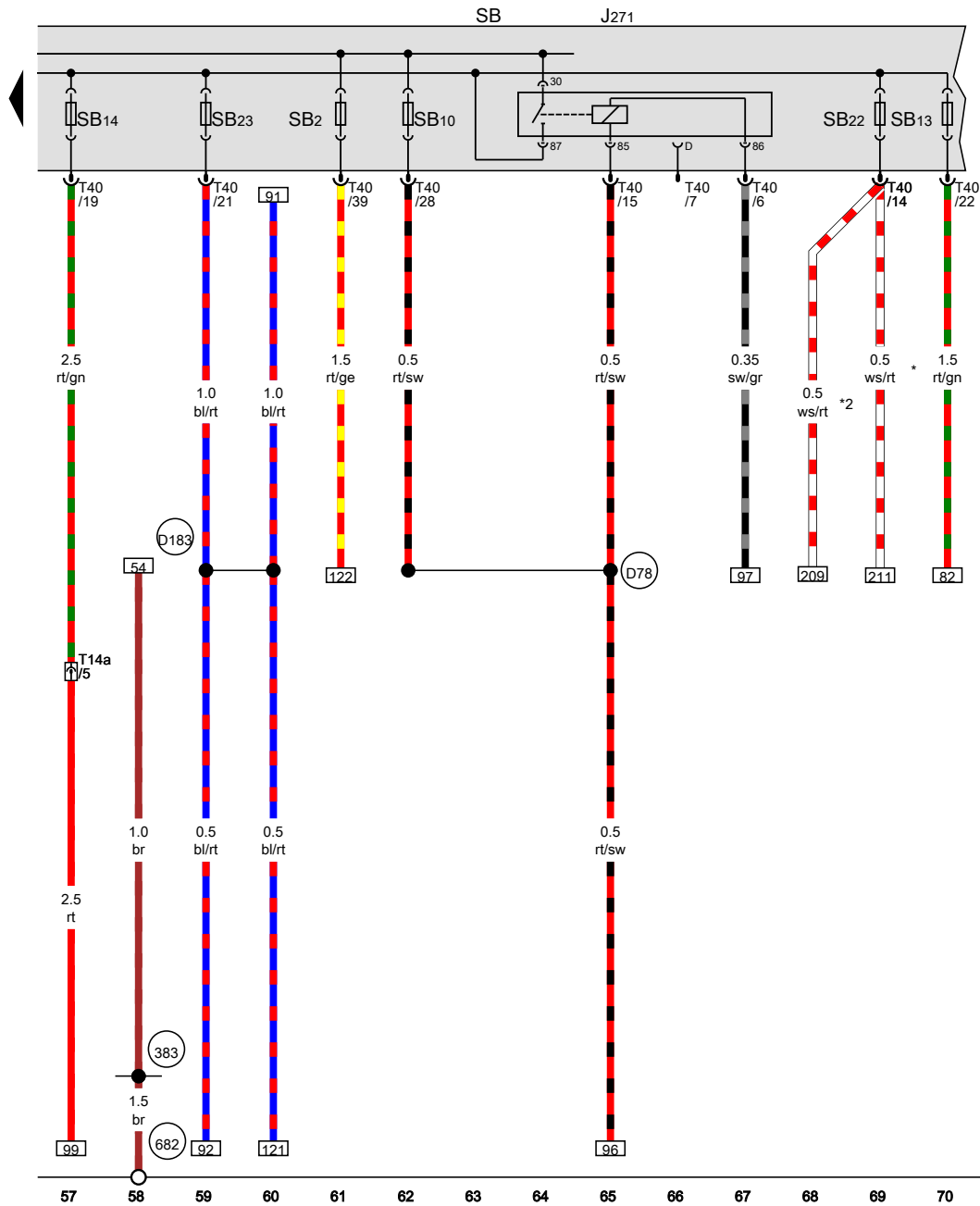


- G Fuel level sensor
- G6 Transfer fuel pump
- J299 Secondary air injection pump relay
- J538 Fuel pump control module
- SB Fuse panel B
- SB15 Fuse 15 (on fuse panel B)
- SB20 Fuse 20 (on fuse panel B)
- SB21 Fuse 21 (on fuse panel B)
- SB24 Fuse 24 (on fuse panel B)
- SB27 Fuse 27 (on fuse panel B)
- T5b 5-pin connector
- T10n 10-pin connector
- T40 40-pin connector
- V101 Secondary air injection pump motor

- 655 Ground connection on left headlamp
- D180 Connection 87a (in engine compartment wiring harness)

- ws = white
- sw = black
- ro = red
- rt = red
- br = brown
- gn = green
- bl = blue
- gr = grey
- li = lilac
- vi = lilac
- ge = yellow
- or = orange
- rs = pink

15K1-13405015



**Motronic engine control module power supply relay, Fuse panel B**

- J271 Motronic engine control module power supply relay
- SB Fuse panel B
- SB2 Fuse 2 (on fuse panel B)
- SB10 Fuse 10 (on fuse panel B)
- SB13 Fuse 13 (on fuse panel B)
- SB14 Fuse 14 (on fuse panel B)
- SB22 Fuse 22 (on fuse panel B)
- SB23 Fuse 23 (on fuse panel B)
- T14a 14-pin connector, near the battery
- T40 40-pin connector

- 383 Ground connection 18 (in main wiring harness)
- 682 Ground connection 2 in right rear side panel
- D78 Positive connection 1 (30a) (in engine compartment wiring harness)
- D183 Connection 4 (87a) (in engine compartment wiring harness)
- \* Only for vehicles with a manual transmission
- \*2 Only for vehicles with automatic transmission

- ws = white
- sw = black
- ro = red
- rt = red
- br = brown
- gn = green
- bl = blue
- gr = grey
- li = lilac
- vi = lilac
- ge = yellow
- or = orange
- rs = pink

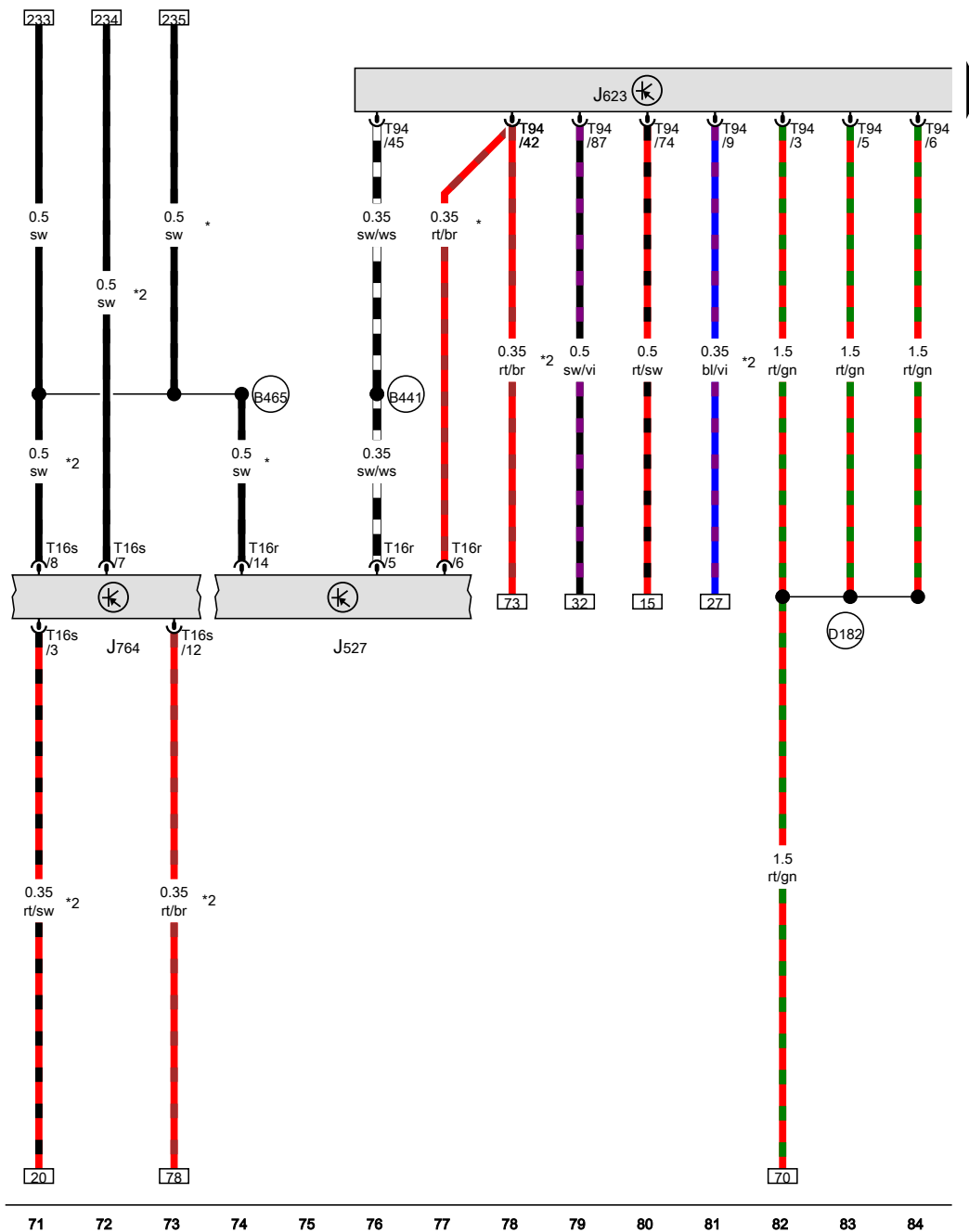
15K1-134060515

Steering column electronics control module, Engine control module

- J527 Steering column electronics control module
- J623 Engine control module, in the center plenum chamber
- J764 Electronic steering column lock control module
- T16r 16-pin connector
- T16s 16-pin connector
- T94 94-pin connector

- (B441) Cruise control connection (in main wiring harness)
- (B465) Connection 1 (in main wiring harness)
- (D182) Connection 3 (87a) (in engine compartment wiring harness)

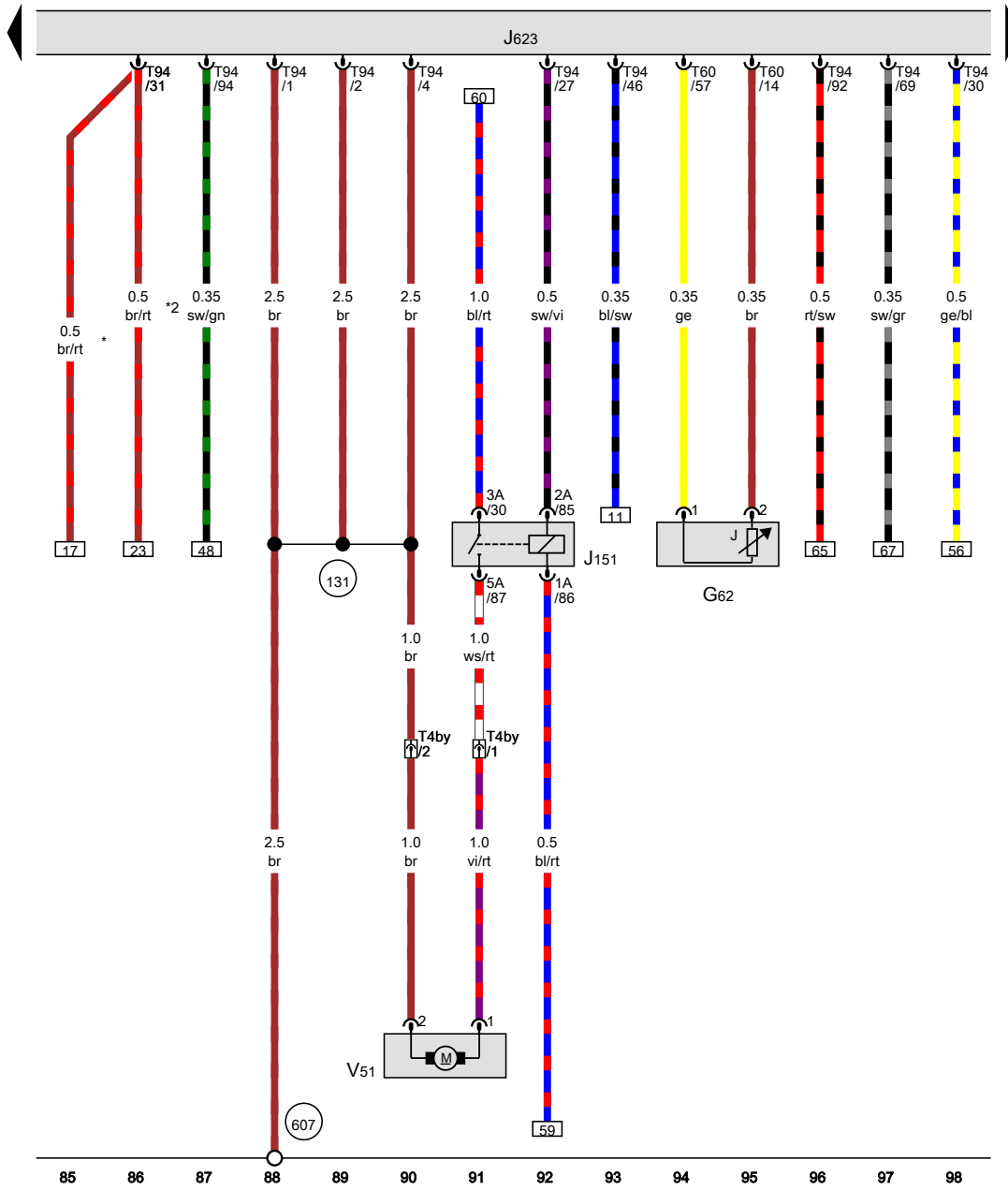
\* Only for vehicles without access/start authorization system  
 \*2 Only for vehicles with access/start authorization system



- ws = white
- sw = black
- ro = red
- rt = red
- br = brown
- gn = green
- bl = blue
- gr = grey
- li = lilac
- vi = lilac
- ge = yellow
- or = orange
- rs = pink

15K1-134070515

Engine coolant temperature sensor, Coolant circulation pump relay, Engine control module, After-run coolant pump

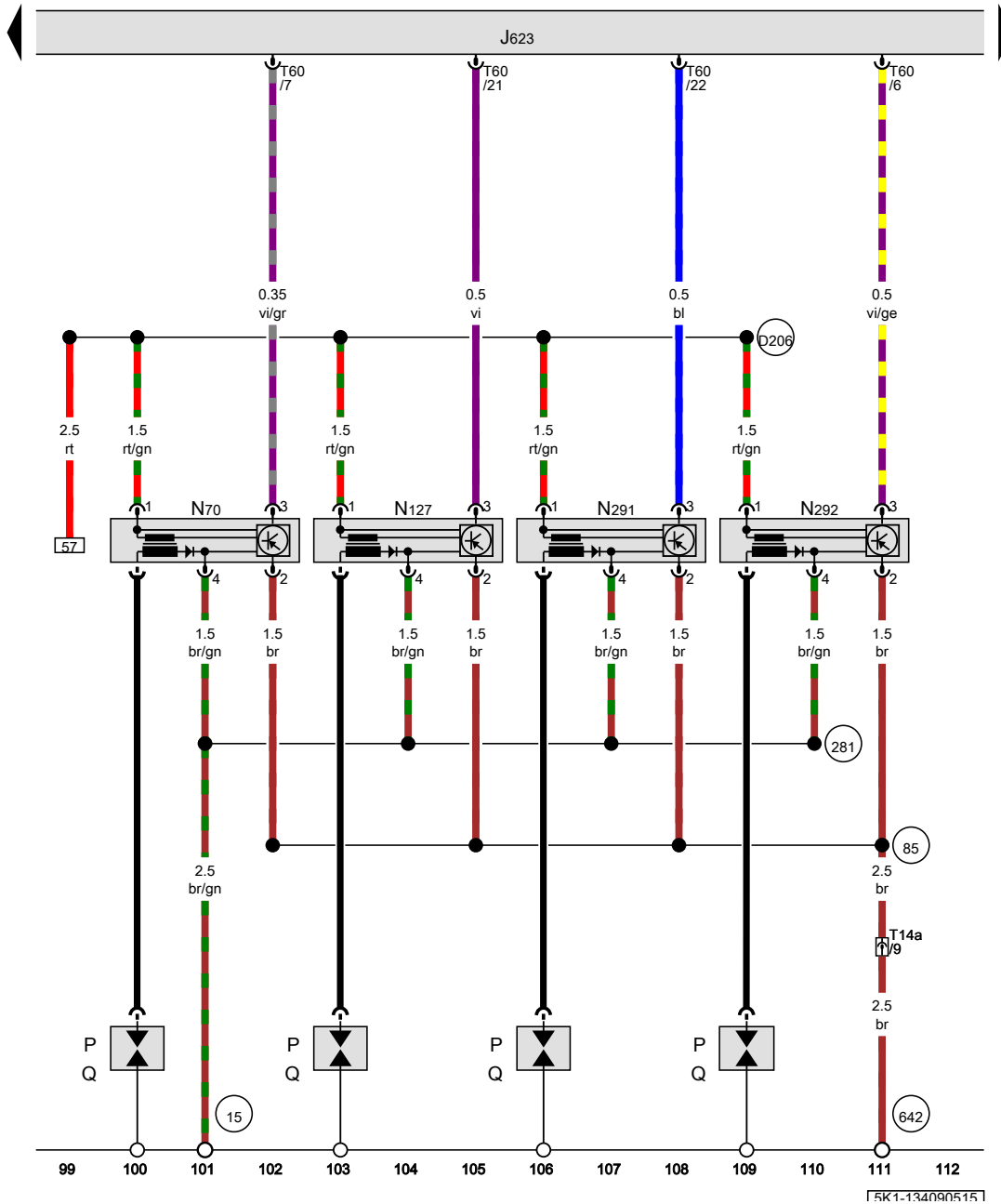


- G62 Engine coolant temperature sensor
- J151 Coolant circulation pump relay
- J623 Engine control module, in the center plenum chamber
- T4by 4-pin connector, in the engine compartment, left
- T60 60-pin connector
- T94 94-pin connector
- V51 After-run coolant pump
- 131 Ground connection 2 (in engine compartment wiring harness)
- 607 Ground connection in plenum chamber, left
- \* Only for vehicles without access/start authorization system
- \*2 Only for vehicles with access/start authorization system

- ws = white
- sw = black
- ro = red
- rt = red
- br = brown
- gn = green
- bl = blue
- gr = grey
- li = lilac
- vi = lilac
- ge = yellow
- or = orange
- rs = pink

15K1-134080515





Engine control module, Ignition coil 1 with power output stage, Ignition coil 2 with power output stage, Ignition coil 3 with power output stage, Ignition coil 4 with power output stage, Spark plugs

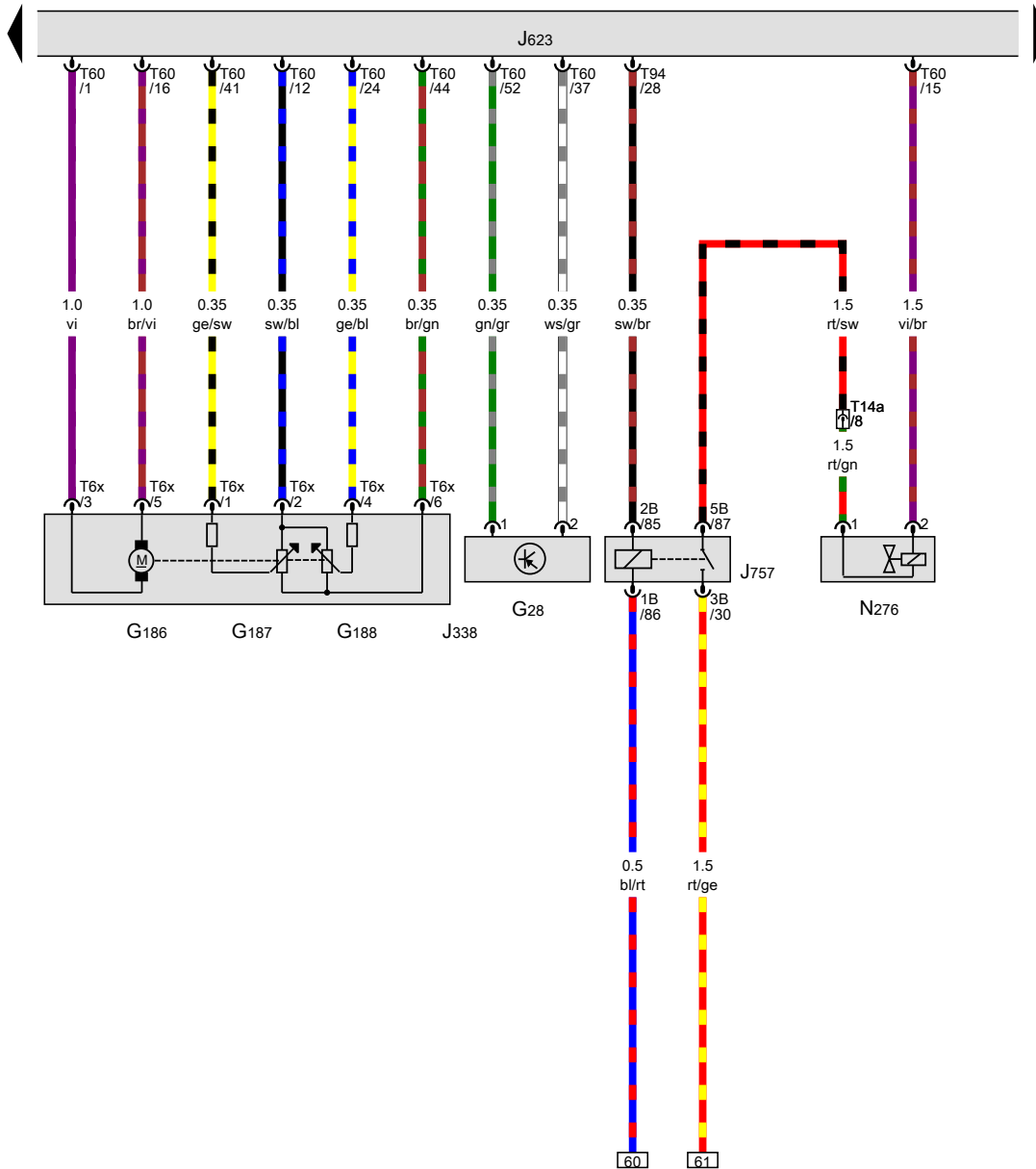
- J623 Engine control module, in the center plenum chamber
- N70 Ignition coil 1 with power output stage
- N127 Ignition coil 2 with power output stage
- N291 Ignition coil 3 with power output stage
- N292 Ignition coil 4 with power output stage
- P Spark plug connectors
- Q Spark plugs
- T14a 14-pin connector, near the battery
- T60 60-pin connector

- 15 Ground connection on cylinder head
- 85 Ground connection 1 (in engine compartment wiring harness)
- 281 Ground connection 1 (in engine pre-wiring harness)
- 642 Electronic fan control ground connection
- D206 Connection 87a (in engine pre-wiring harness) 4

- ws = white
- sw = black
- ro = red
- rt = red
- br = brown
- gn = green
- bl = blue
- gr = grey
- li = lilac
- vi = lilac
- ge = yellow
- or = orange
- rs = pink

15K1-134090515

Engine speed sensor, Throttle valve control module, Engine control module, Fuel pressure regulator valve

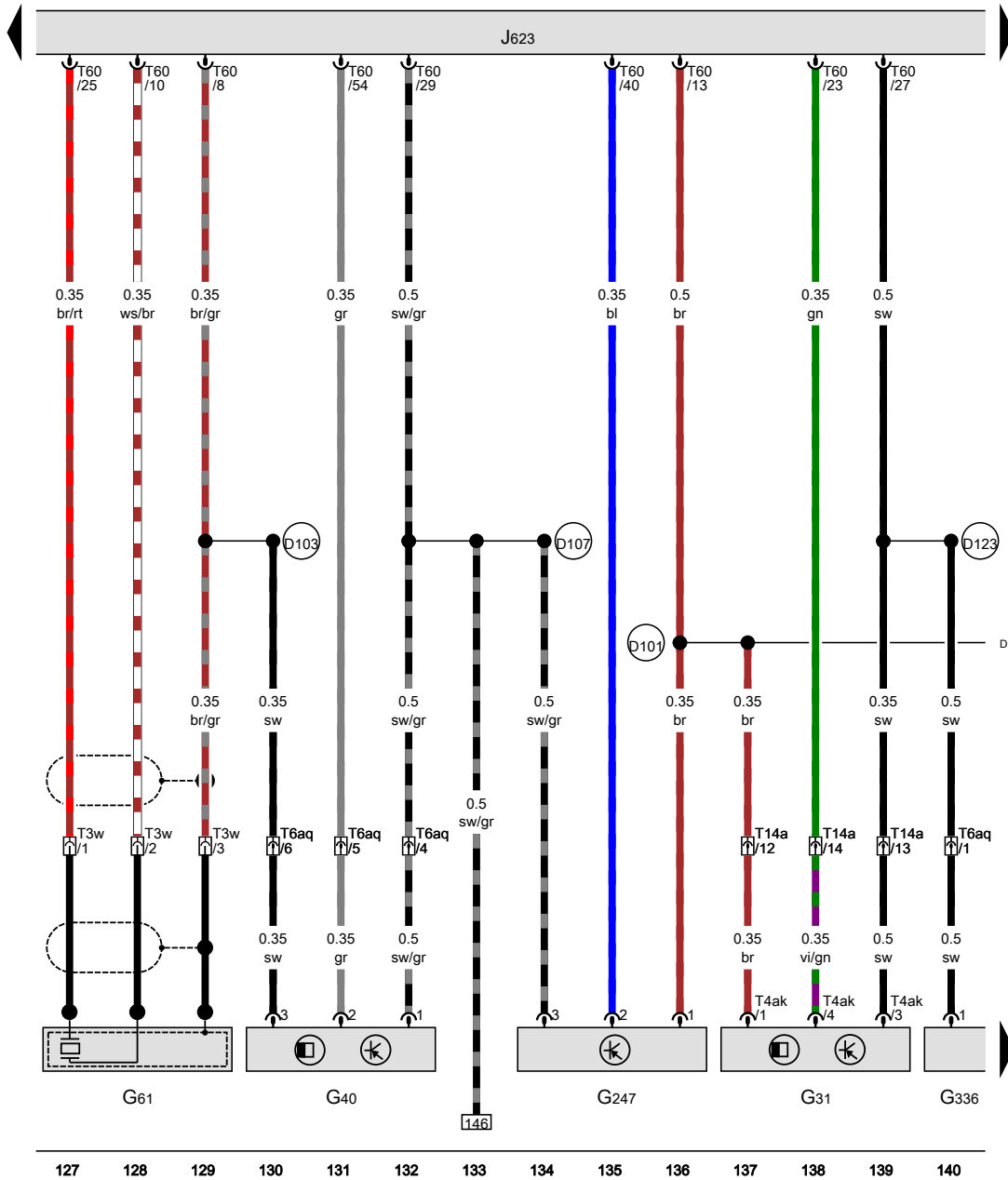


- G28 Engine speed sensor
- G186 EPC throttle drive
- G187 EPC throttle drive angle sensor 1
- G188 EPC throttle drive angle sensor 2
- J338 Throttle valve control module
- J623 Engine control module, in the center plenum chamber
- J757 Engine component power supply relay
- N276 Fuel pressure regulator valve
- T6x 6-pin connector
- T14a 14-pin connector, near the battery
- T60 60-pin connector
- T94 94-pin connector

- ws = white
- sw = black
- ro = red
- rt = red
- br = brown
- gn = green
- bl = blue
- gr = grey
- li = lilac
- vi = lilac
- ge = yellow
- or = orange
- rs = pink

113 114 115 116 117 118 119 120 121 122 123 124 125 126

[5K1-134100515]



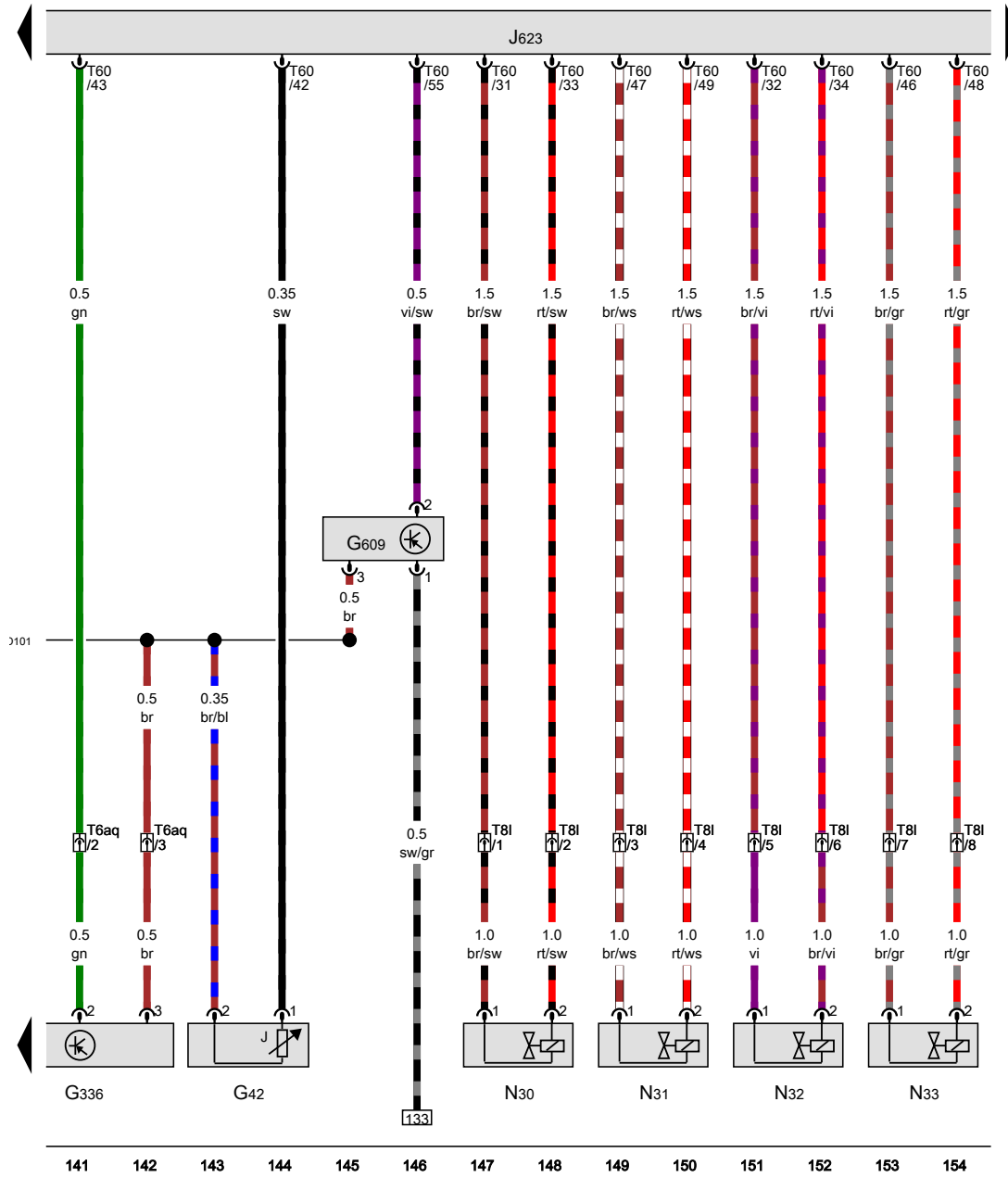
Charge air pressure sensor, Camshaft position sensor, Knock sensor 1, Fuel pressure sensor, Intake manifold runner position sensor, Engine control module

- G31 Charge air pressure sensor
- G40 Camshaft position sensor
- G61 Knock sensor 1
- G247 Fuel pressure sensor
- G336 Intake manifold runner position sensor
- J623 Engine control module, in the center plenum chamber
- T3w 3-pin connector, on the engine, front
- T4ak 4-pin connector
- T6aq 6-pin connector, on the engine, front
- T14a 14-pin connector, near the battery
- T60 60-pin connector

- D101 Connection 1 (in engine compartment wiring harness)
- D103 Connection 3 (in engine compartment wiring harness)
- D107 Connection 5 (in engine compartment wiring harness)
- D123 Connection 21 (in engine compartment wiring harness)

- ws = white
- sw = black
- ro = red
- rt = red
- br = brown
- gn = green
- bl = blue
- gr = grey
- li = lilac
- vi = lilac
- ge = yellow
- or = orange
- rs = pink

15K1-134110515

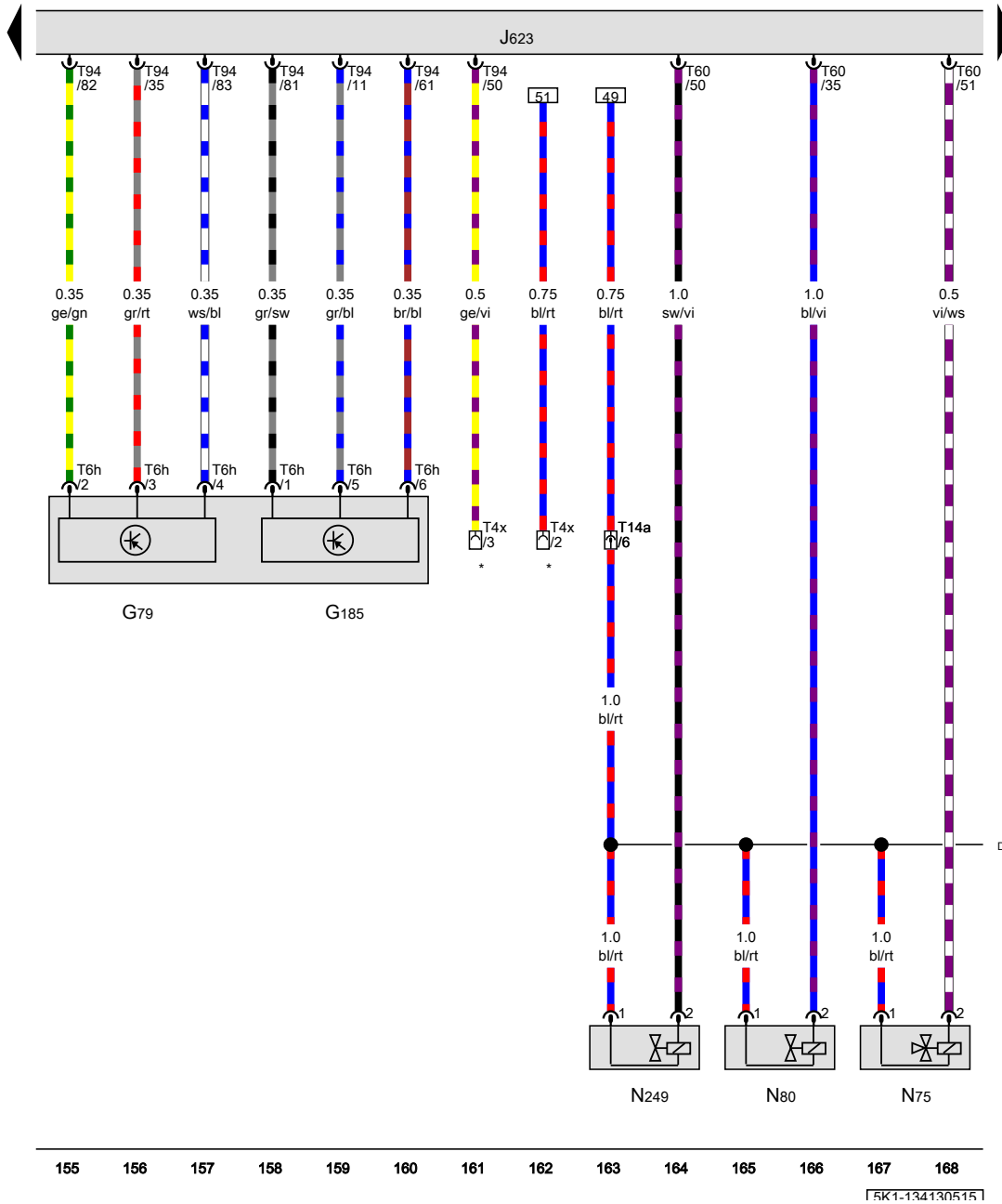


Intake air temperature sensor, Intake manifold runner position sensor, Secondary air injection sensor 1, Engine control module, Cylinder 1 fuel injector, Cylinder 2 fuel injector, Cylinder 3 fuel injector, Cylinder 4 fuel injector

- G42 Intake air temperature sensor
- G336 Intake manifold runner position sensor
- G609 Secondary air injection sensor 1
- J623 Engine control module, in the center plenum chamber
- N30 Cylinder 1 fuel injector
- N31 Cylinder 2 fuel injector
- N32 Cylinder 3 fuel injector
- N33 Cylinder 4 fuel injector
- T6aq 6-pin connector, on the engine, front
- T81 8-pin connector, on the engine, front
- T60 60-pin connector
- D101 Connection 1 (in engine compartment wiring harness)

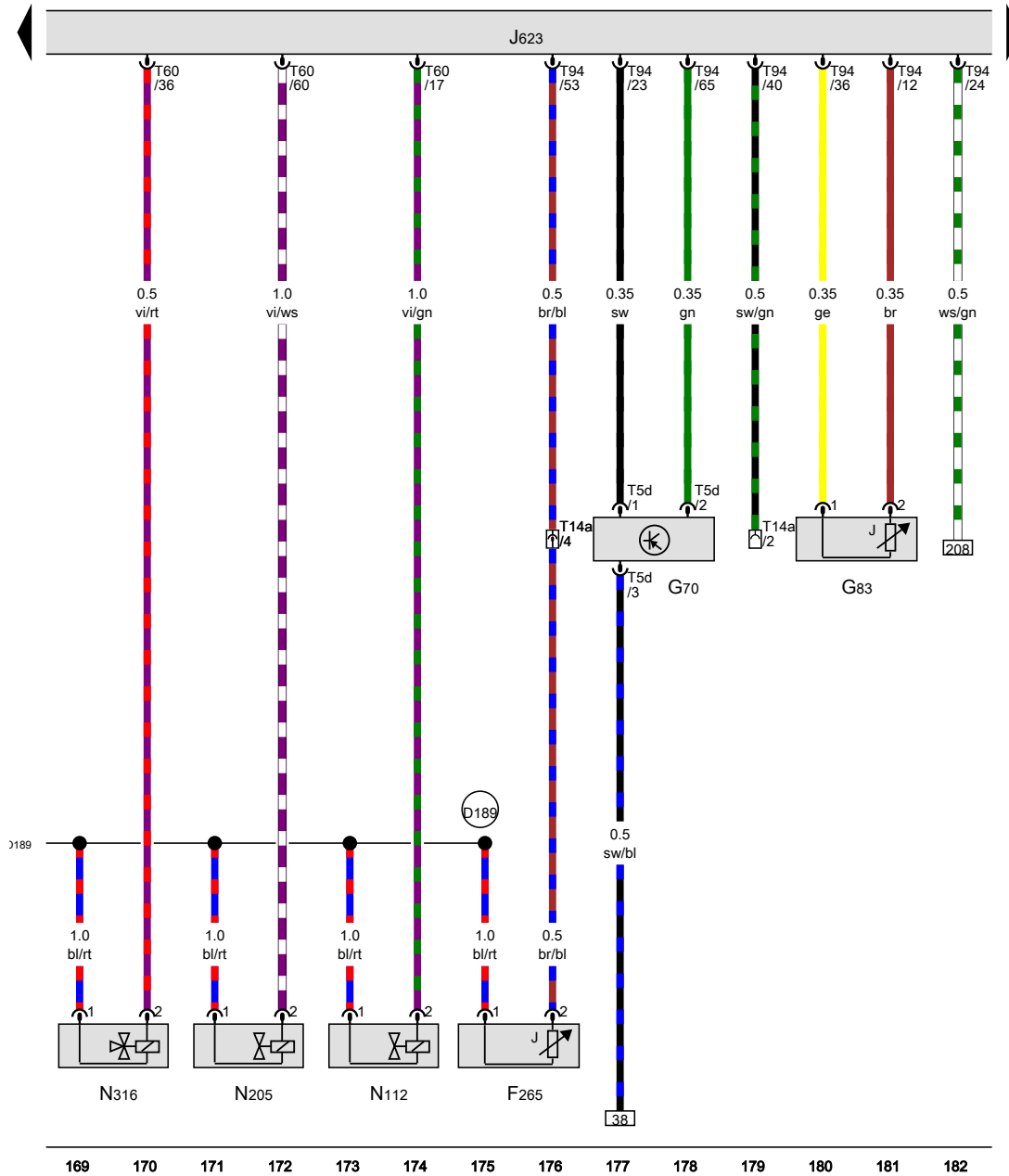
- ws = white
- sw = black
- ro = red
- rt = red
- br = brown
- gn = green
- bl = blue
- gr = grey
- li = lilac
- vi = lilac
- ge = yellow
- or = orange
- rs = pink

15K1-134120515



Accelerator pedal position sensor, Accelerator pedal position sensor 2, Engine control module, Wastegate bypass regulator valve, EVAP canister purge regulator valve 1, Turbocharger recirculation valve

- G79 Accelerator pedal position sensor
- G185 Accelerator pedal position sensor 2
- J623 Engine control module, in the center plenum chamber
- N75 Wastegate bypass regulator valve
- N80 EVAP canister purge regulator valve 1
- N249 Turbocharger recirculation valve
- T4x 4-pin connector, on the lower left coolant fan
- T6h 6-pin connector
- T14a 14-pin connector, near the battery
- T60 60-pin connector
- T94 94-pin connector
- D189 Connection 87a (in engine pre-wiring harness)
- \* Coolant fan connection



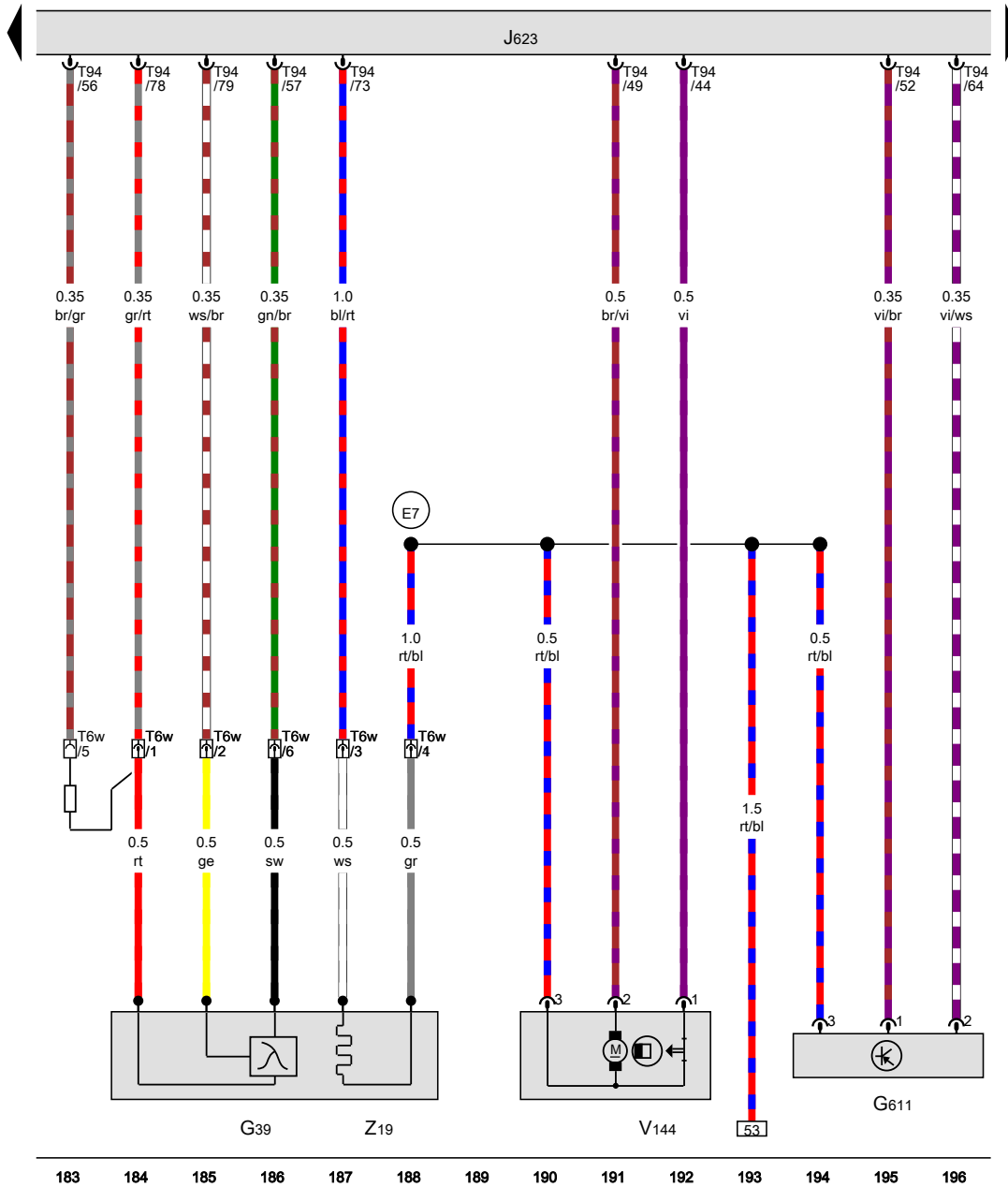
Map controlled engine cooling thermostat, Mass airflow sensor, Engine coolant temperature sensor on radiator outlet, Engine control module, Secondary air injection solenoid valve, Camshaft adjustment valve 1, Intake manifold runner control valve

- F265 Map controlled engine cooling thermostat
- G70 Mass airflow sensor
- G83 Engine coolant temperature sensor on radiator outlet
- J623 Engine control module, in the center plenum chamber
- N112 Secondary air injection solenoid valve
- N205 Camshaft adjustment valve 1
- N316 Intake manifold runner control valve
- T5d 5-pin connector
- T14a 14-pin connector, near the battery
- T60 60-pin connector
- T94 94-pin connector

D189 Connection 87a (in engine pre-wiring harness)

- ws = white
- sw = black
- ro = red
- rt = red
- br = brown
- gn = green
- bl = blue
- gr = grey
- li = lilac
- vi = lilac
- ge = yellow
- or = orange
- rs = pink

Heated oxygen sensor, Radiator identification sensor, Engine control module, Leak detection pump



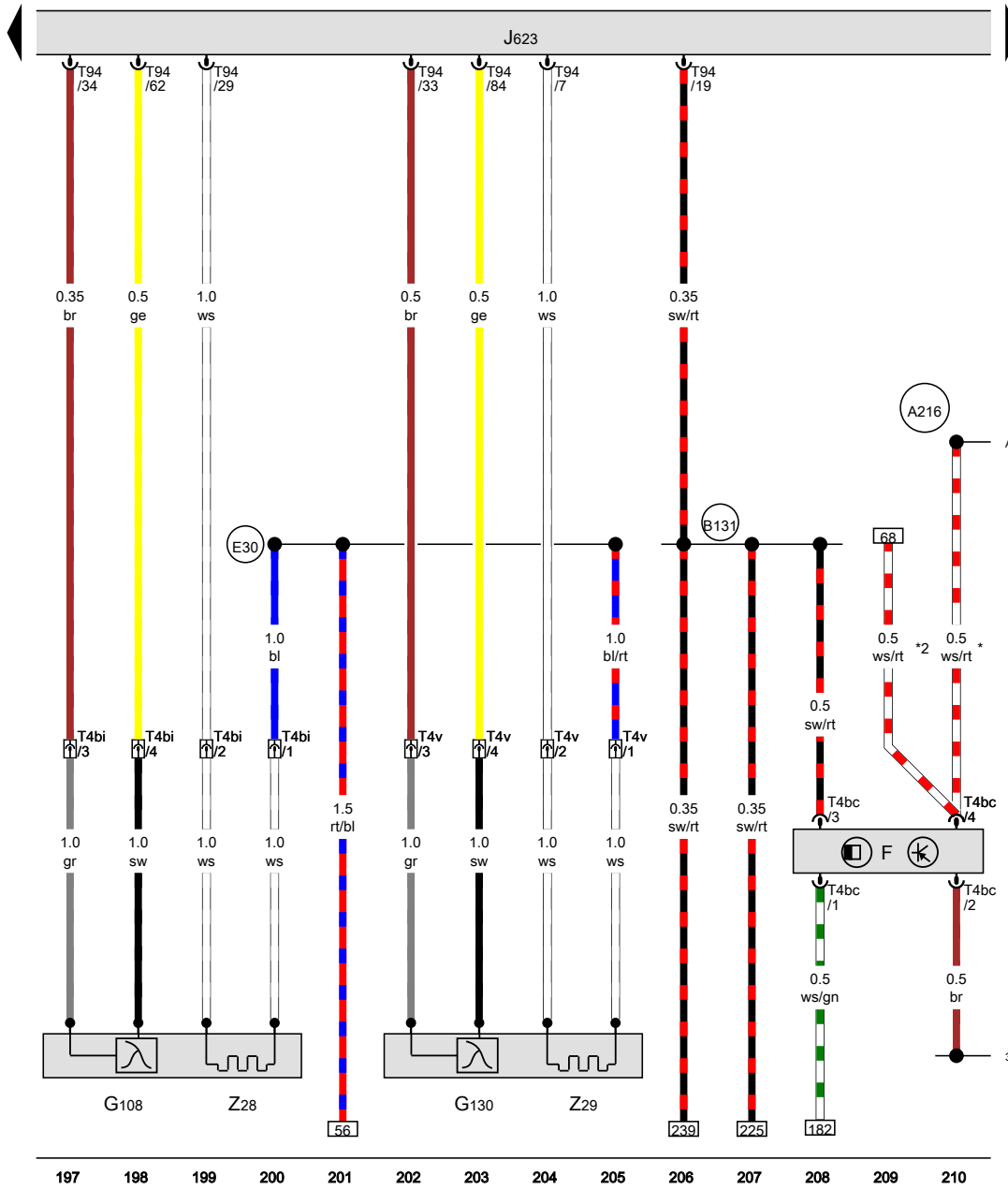
- G39 Heated oxygen sensor
- G611 Radiator identification sensor
- J623 Engine control module, in the center plenum chamber
- T6w 6-pin connector, in the engine compartment, rear
- T94 94-pin connector
- V144 Leak detection pump
- Z19 Oxygen sensor heater
- (E7) Connection 87a (in Motronic multiform fuel injection wiring harness)

- ws = white
- sw = black
- ro = red
- rt = red
- br = brown
- gn = green
- bl = blue
- gr = grey
- li = lilac
- vi = lilac
- ge = yellow
- or = orange
- rs = pink

183 184 185 186 187 188 189 190 191 192 193 194 195 196

15K1-134150515

Brake lamp switch, Heated oxygen sensor 2, Oxygen sensor after catalytic converter, Engine control module



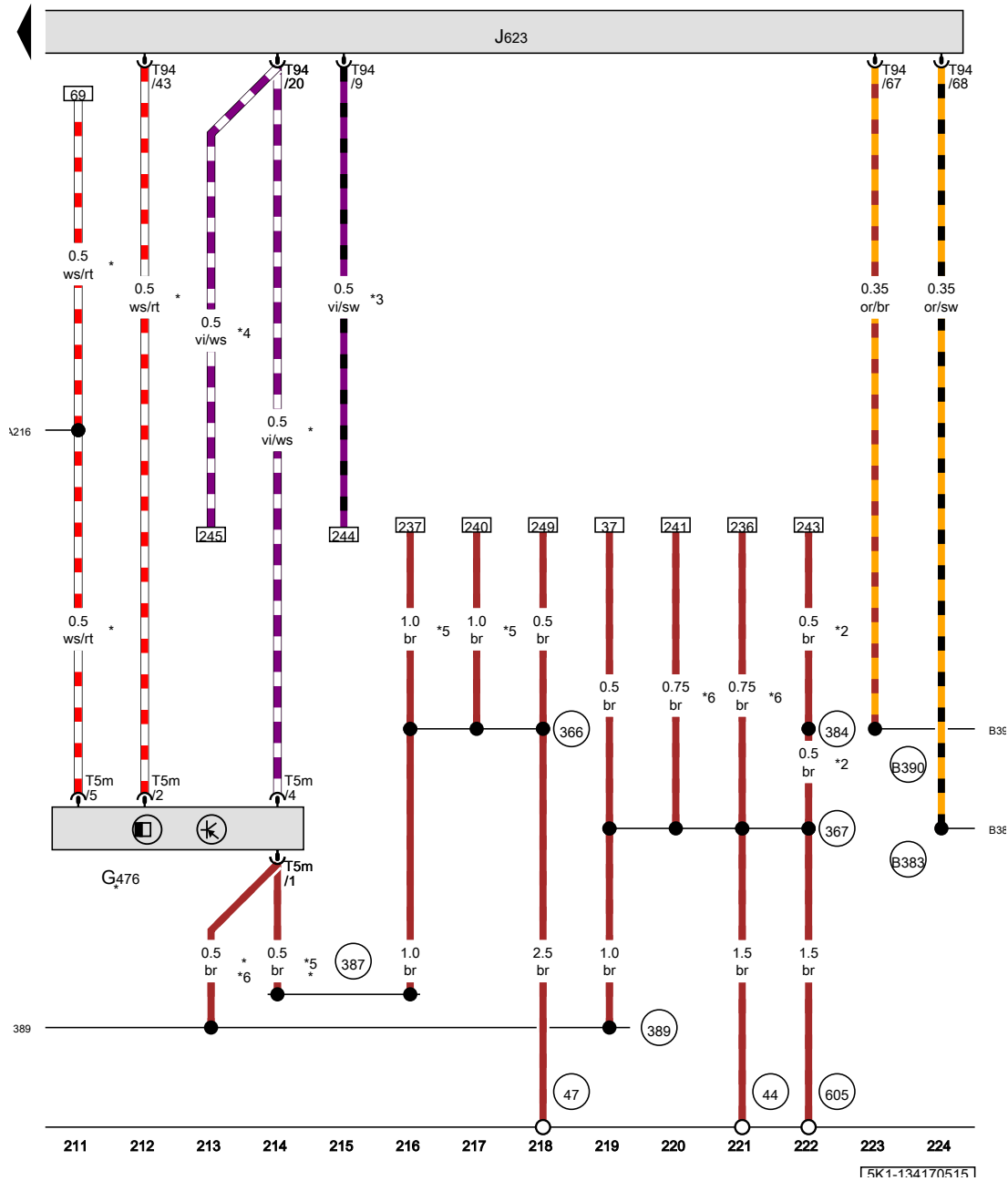
- F Brake lamp switch
- G108 Heated oxygen sensor 2
- G130 Oxygen sensor after catalytic converter
- J623 Engine control module, in the center plenum chamber
- T4bc 4-pin connector
- T4bi 4-pin connector, near the oxygen sensor
- T4v 4-pin connector, near the oxygen sensor
- T94 94-pin connector
- Z28 Oxygen sensor 2 heater
- Z29 Heater for oxygen sensor 1 after catalytic converter

- 389 Ground connection 24 (in main wiring harness)
- A216 Positive connection 2 (87a) (in instrument panel wiring harness)
- B131 Connection 54 (in interior wiring harness)
- E30 Connection 87a (in engine wiring harness)
- \* Only for vehicles with a manual transmission
- \*2 Only for vehicles with automatic transmission

- ws = white
- sw = black
- ro = red
- rt = red
- br = brown
- gn = green
- bl = blue
- gr = grey
- li = lilac
- vi = lilac
- ge = yellow
- or = orange
- rs = pink

15K1-134160515





Clutch position sensor, Engine control module

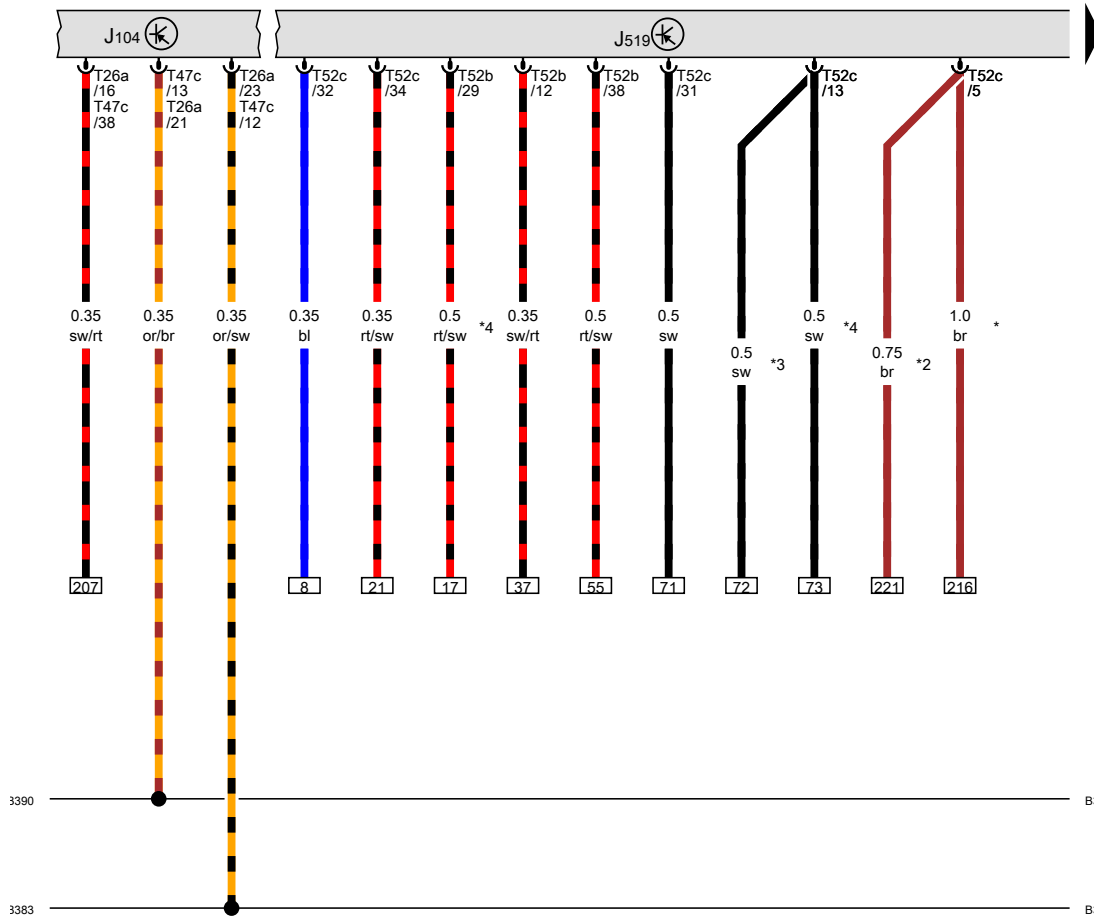
- G476 Clutch position sensor
- J623 Engine control module, in the center plenum chamber
- T5m 5-pin connector
- T94 94-pin connector

- 44 Ground connection on A-pillar, lower left
- 47 Ground connection in right front footwell
- 366 Ground connection 1 (in main wiring harness)
- 367 Ground connection 2 (in main wiring harness)
- 384 Ground connection 19 (in main wiring harness)
- 387 Ground connection 22 (in main wiring harness)
- 389 Ground connection 24 (in main wiring harness)
- 605 Ground connection on upper steering column
- A216 Positive connection 2 (87a) (in instrument panel wiring harness)
- B383 Powertrain CAN bus high connection 1 (in main wiring harness)
- B390 Powertrain CAN bus low connection 1 (in main wiring harness)

- \* Only for vehicles with a manual transmission
- \*2 only for vehicles with access/start authorization system
- \*3 Only for vehicles without access/start authorization system
- \*4 Only for vehicles with DSG transmission
- \*5 Only for right-hand drive vehicles
- \*6 Only for left-hand drive vehicles

- ws = white
- sw = black
- ro = red
- rt = red
- br = brown
- gn = green
- bl = blue
- gr = grey
- li = lilac
- vi = lilac
- ge = yellow
- or = orange
- rs = pink

15K1-134170515



- J104 ABS control module
- J519 Vehicle electrical control module system
- T26a 26-pin connector
- T47c 47-pin connector
- T52b 52-pin connector
- T52c 52-pin connector

**B383** Powertrain CAN bus high connection 1 (in main wiring harness)

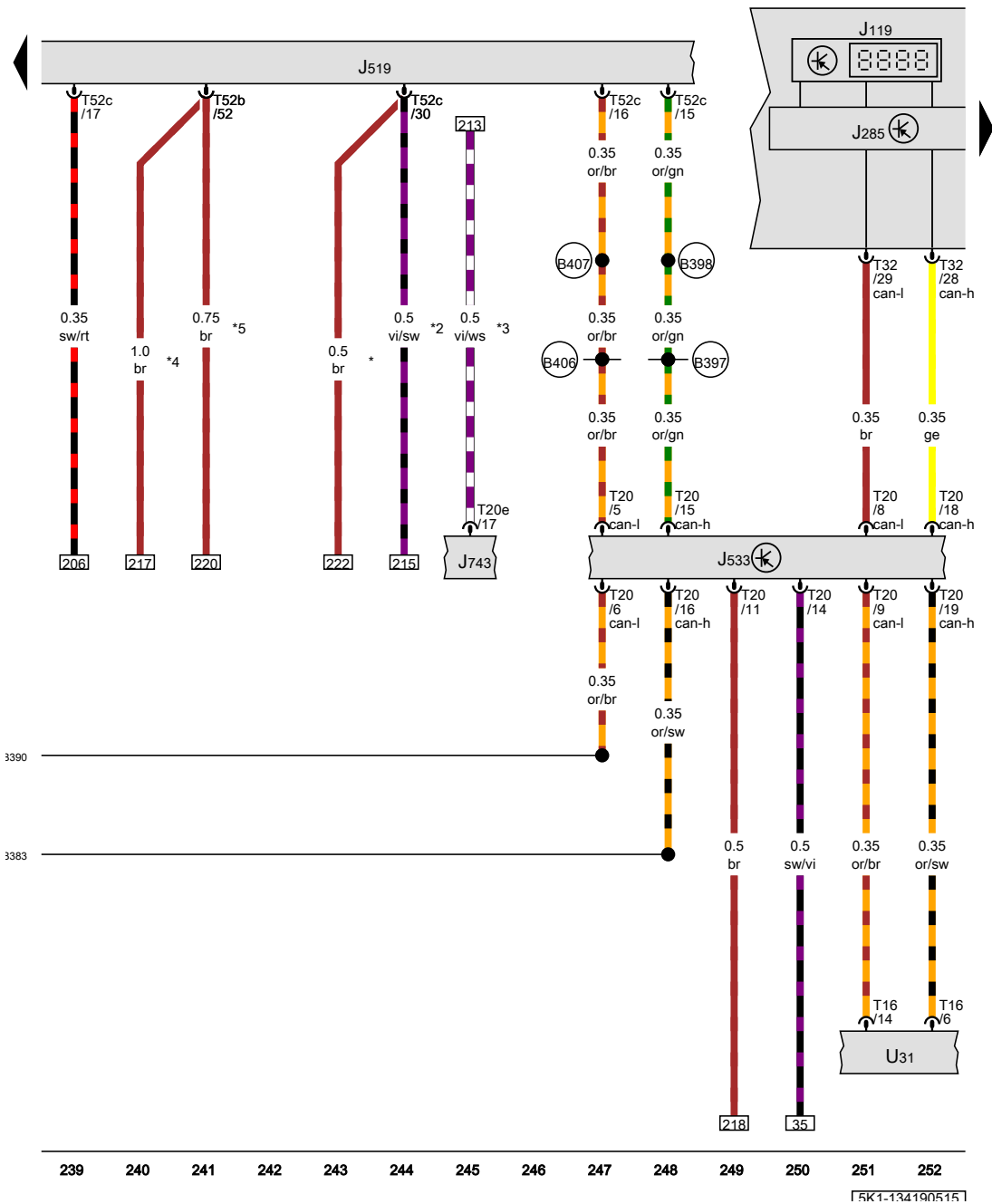
**B390** Powertrain CAN bus low connection 1 (in main wiring harness)

- \* Only for right-hand drive vehicles
- \*2 Only for left-hand drive vehicles
- \*3 only for vehicles with access/start authorization system
- \*4 Only for vehicles without access/start authorization system

- ws = white
- sw = black
- ro = red
- rt = red
- br = brown
- gn = green
- bl = blue
- gr = grey
- li = lilac
- vi = lilac
- ge = yellow
- or = orange
- rs = pink

225 226 227 228 229 230 231 232 233 234 235 236 237 238

15K1-134180515



Multifunction indicator, Data bus on board diagnostic interface

- J119 Multifunction indicator
- J285 Instrument cluster control module
- J519 Vehicle electrical control module system
- J533 Data bus on board diagnostic interface, in the left footwell, near the center console
- J743 DSG transmission Mechatronic
- T16 16-pin connector
- T20 20-pin connector
- T20e 20-pin connector
- T32 32-pin connector
- T52b 52-pin connector
- T52c 52-pin connector
- U31 Diagnostic connection

- (B383) Powertrain CAN bus high connection 1 (in main wiring harness)
- (B390) Powertrain CAN bus low connection 1 (in main wiring harness)
- (B397) Comfort system CAN bus high connection 1 (in main wiring harness)
- (B398) Comfort system CAN bus high connection 2 (in main wiring harness)
- (B406) Comfort system CAN bus low connection 1 (in main wiring harness)
- (B407) Comfort system CAN bus low connection 2 (in main wiring harness)
- \* only for vehicles with access/start authorization system
- \*2 Only for vehicles without access/start authorization system
- \*3 Only for vehicles with DSG transmission
- \*4 Only for right-hand drive vehicles
- \*5 Only for left-hand drive vehicles

- ws = white
- sw = black
- ro = red
- rt = red
- br = brown
- gn = green
- bl = blue
- gr = grey
- li = lilac
- vi = lilac
- ge = yellow
- or = orange
- rs = pink

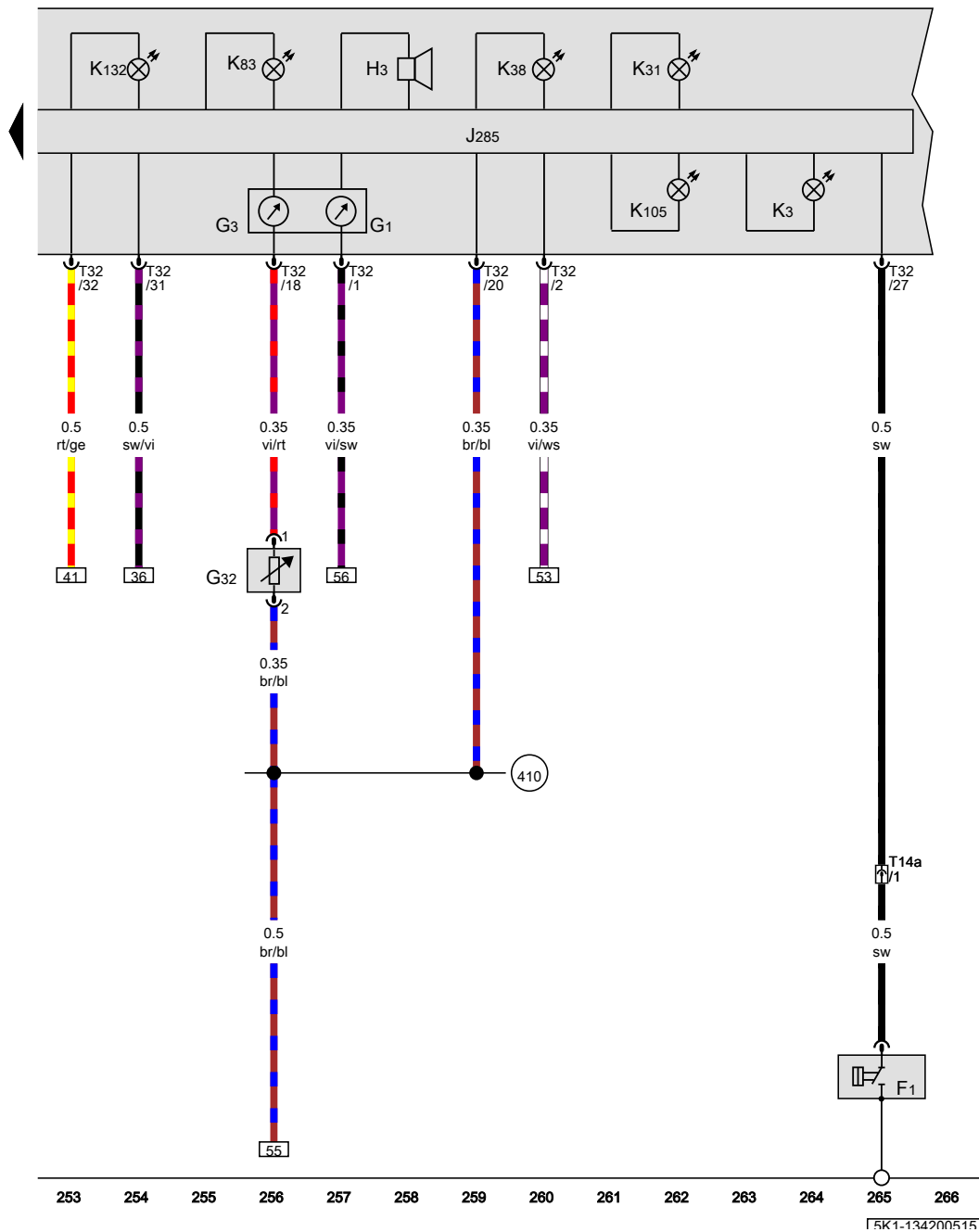
239 240 241 242 243 244 245 246 247 248 249 250 251 252

15K1-134190515

Oil pressure switch, Fuel gauge, Engine coolant temperature gauge, Engine coolant level sensor, Malfunction indicator lamp

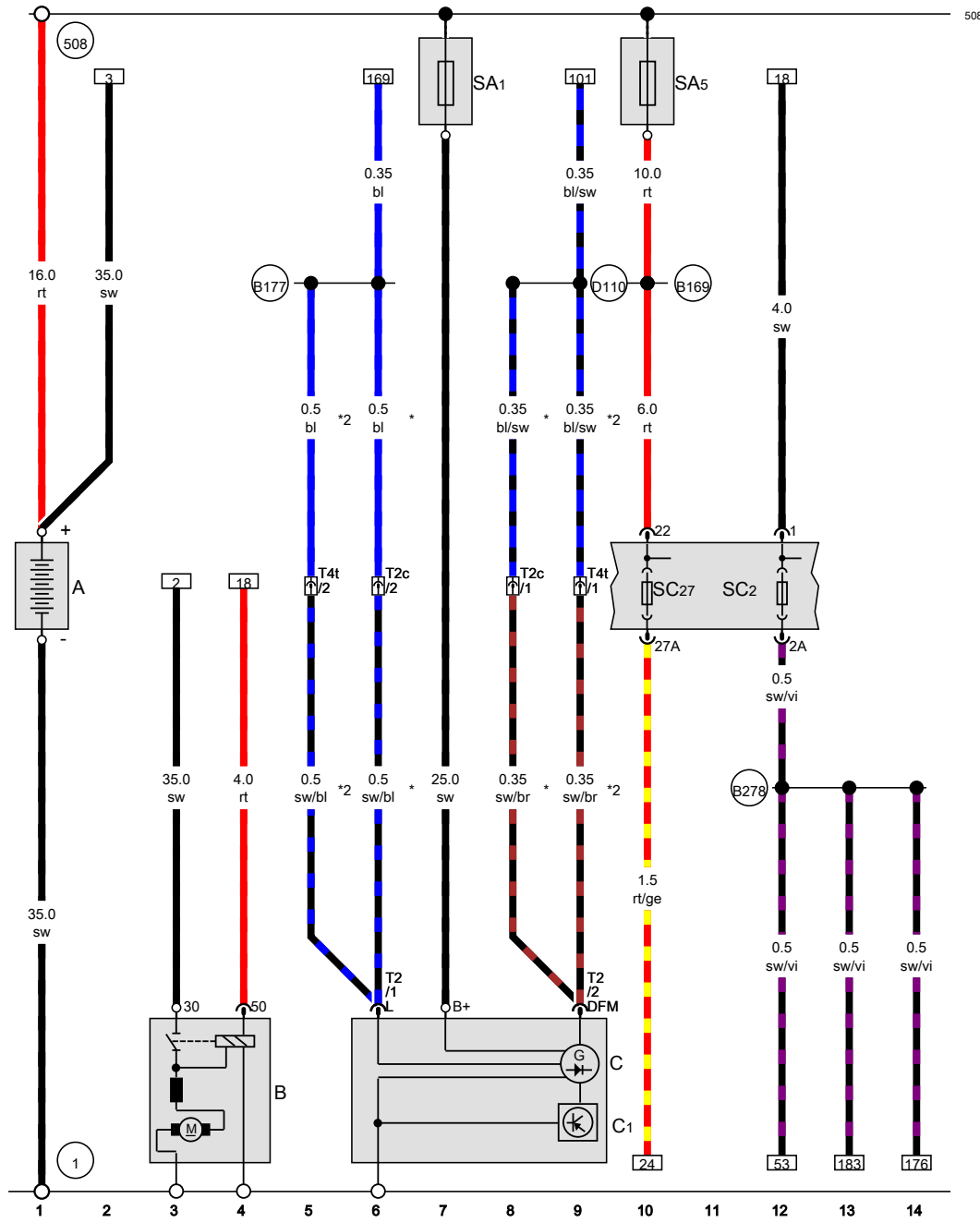
- F1 Oil pressure switch
- G1 Fuel gauge
- G3 Engine coolant temperature gauge
- G32 Engine coolant level sensor
- H3 Warning buzzer and tone
- J285 Instrument cluster control module
- K3 Oil pressure indicator lamp
- K31 Cruise control indicator lamp
- K38 Oil level indicator lamp
- K83 Malfunction indicator lamp
- K105 Low fuel level indicator lamp
- K132 Electronic power control malfunction indicator lamp
- T14a 14-pin connector, near the battery
- T32 32-pin connector

410 Sensor ground connection 1 (in main wiring harness)



- ws = white
- sw = black
- ro = red
- rt = red
- br = brown
- gn = green
- bl = blue
- gr = grey
- li = lilac
- vi = lilac
- ge = yellow
- or = orange
- rs = pink

2.5L gasoline engine , CBTA, CBUA  
from November 2011



**Battery, Starter, Generator, Fuse 1 (on fuse panel A), Fuse 2 (on fuse panel C), Fuse 5 (on fuse panel A), Fuse 27 (on fuse panel C)**

- A Battery
- B Starter
- C Generator
- C1 Voltage regulator
- SA1 Fuse 1 (on fuse panel A)
- SC2 Fuse 2 (on fuse panel C)
- SA5 Fuse 5 (on fuse panel A)
- SC27 Fuse 27 (on fuse panel C)
- T2 2-pin connector
- T2c 2-pin connector, near the starter
- T4t 4-pin connector, near the starter

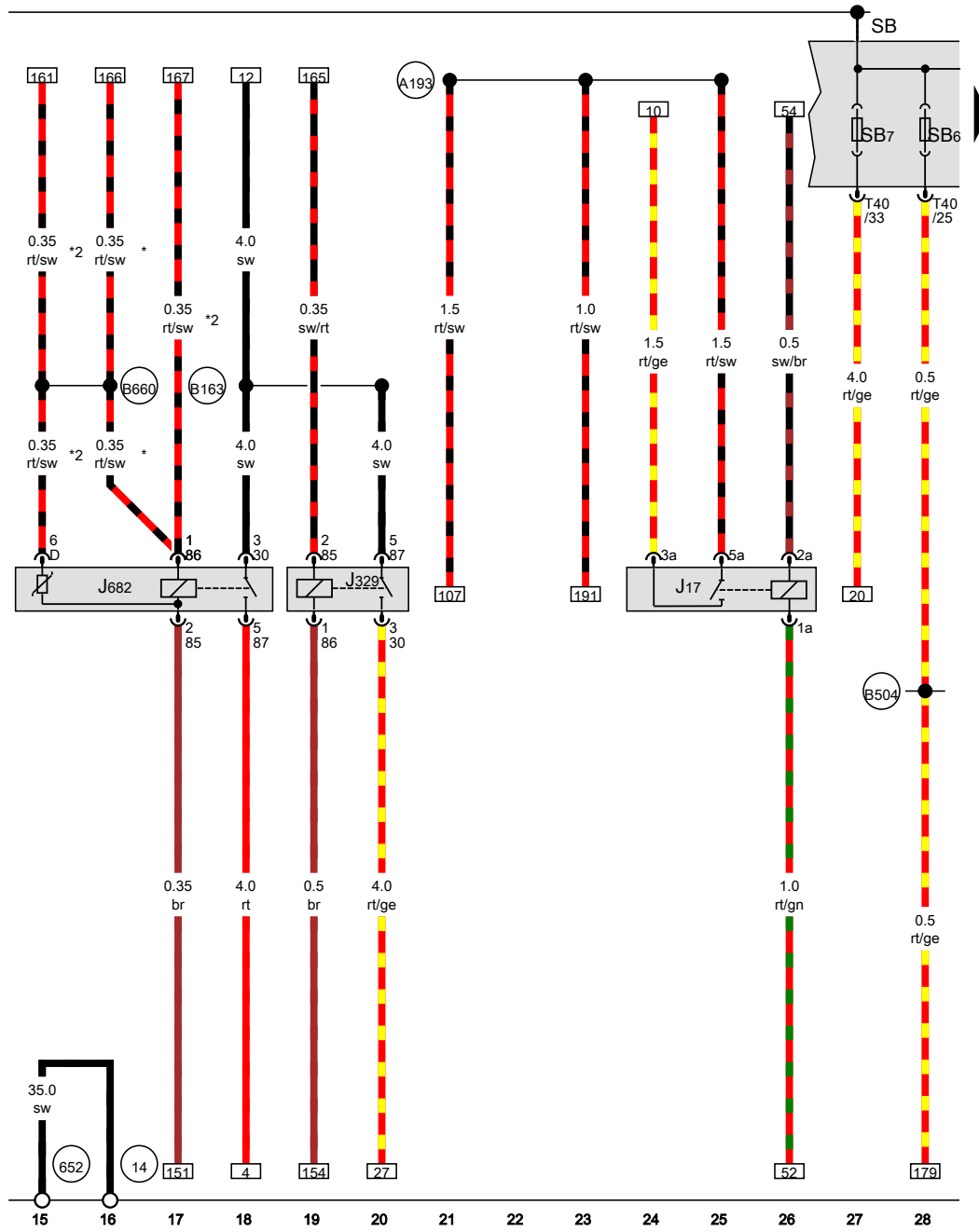
- 1 Ground strap, battery to body
- 508 Terminal 30 threaded connection (on E-box)
- B169 Positive connection 1 (30) (in interior wiring harness)
- B177 Connection 61 (in interior wiring harness)
- B278 Positive connection 2 (15a) (in main wiring harness)
- D110 Connection 8 (in engine compartment wiring harness)

\* Only for vehicles without an A/C system  
 \*2 Only for vehicles with A/C system

- ws = white
- sw = black
- ro = red
- rt = red
- br = brown
- gn = green
- bl = blue
- gr = grey
- li = lilac
- vi = lilac
- ge = yellow
- or = orange
- rs = pink

15K1-136020915

508



Fuel pump relay, Terminal 15 power supply relay, Terminal 50 power supply relay, Fuse panel B

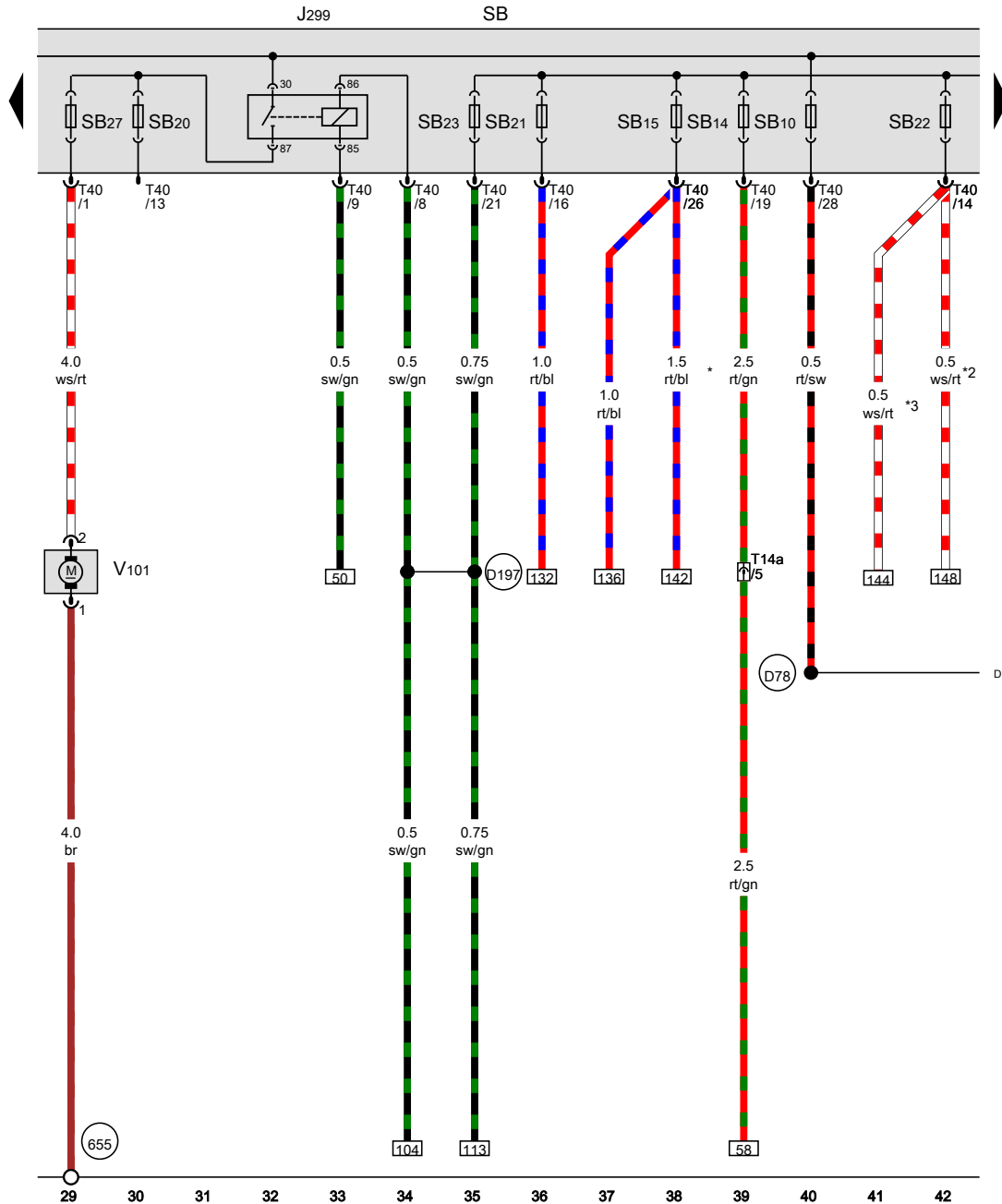
- J17 Fuel pump relay
- J329 Terminal 15 power supply relay
- J682 Terminal 50 power supply relay
- SB Fuse panel B
- SB6 Fuse 6 (on fuse panel B)
- SB7 Fuse 7 (on fuse panel B)
- T40 40-pin connector

- 14 Ground connection on transmission
- 508 Terminal 30 threaded connection (on E-box)
- 652 Transmission/engine ground connection
- A193 Connection 87a (in instrument panel wiring harness)
- B163 Positive connection 1 (15) (in interior wiring harness)
- B504 Positive connection 8 (30a) (in interior wiring harness)
- B660 Diagnostic terminal 50 connection (in main wiring harness)

\* Only for vehicles without access/start authorization system  
 \*2 Only for vehicles with access/start authorization system

- ws = white
- sw = black
- ro = red
- rt = red
- br = brown
- gn = green
- bl = blue
- gr = grey
- li = lilac
- vi = lilac
- ge = yellow
- or = orange
- rs = pink

15K1-136030915



**Secondary air injection pump relay, Fuse panel B,  
Secondary air injection pump motor**

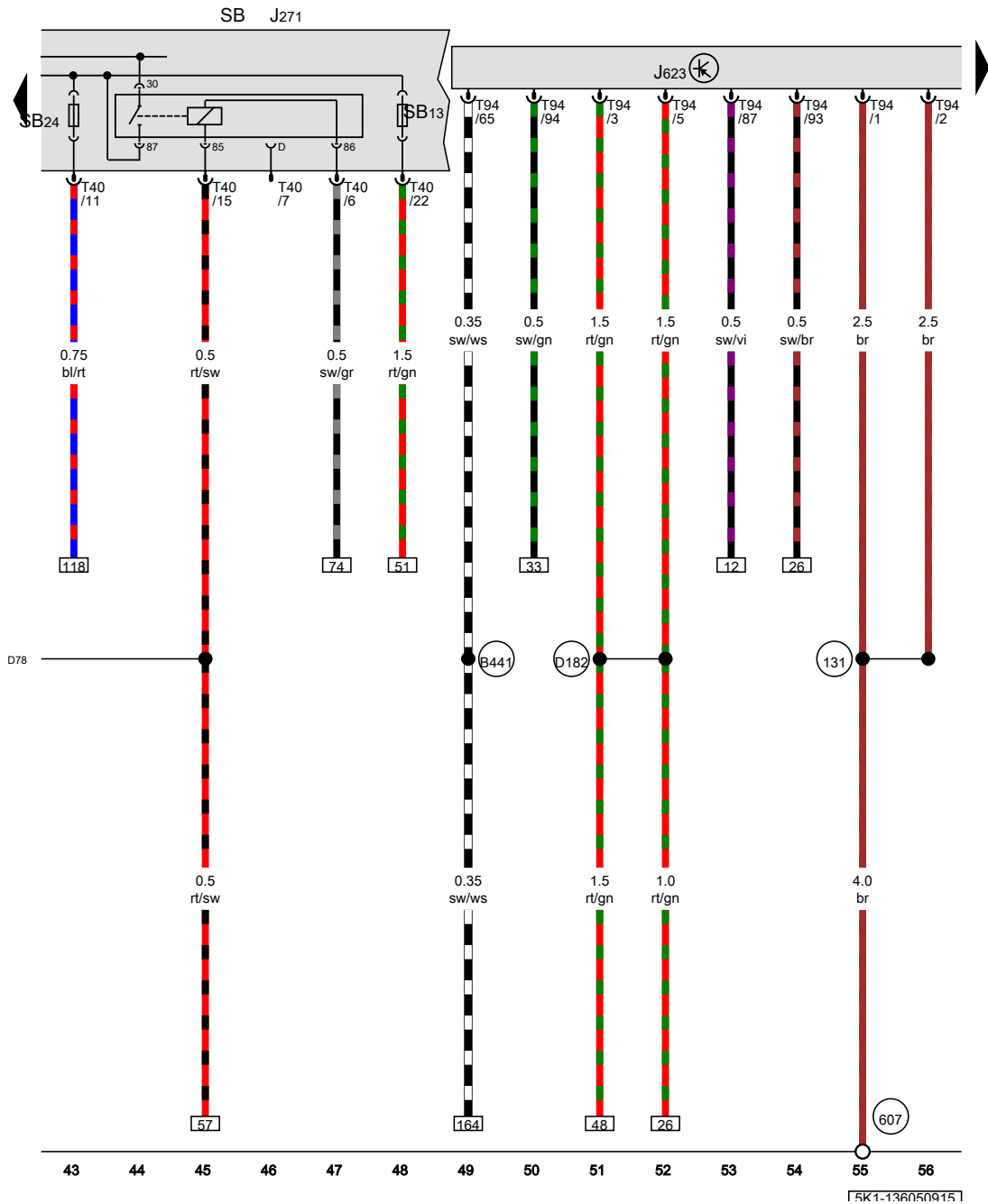
- J299 Secondary air injection pump relay
- SB Fuse panel B
- SB10 Fuse 10 (on fuse panel B)
- SB14 Fuse 14 (on fuse panel B)
- SB15 Fuse 15 (on fuse panel B)
- SB20 Fuse 20 (on fuse panel B)
- SB21 Fuse 21 (on fuse panel B)
- SB22 Fuse 22 (on fuse panel B)
- SB23 Fuse 23 (on fuse panel B)
- SB27 Fuse 27 (on fuse panel B)
- T14a 14-pin connector, near the battery
- T40 40-pin connector
- V101 Secondary air injection pump motor

- (655) Ground connection on left headlamp
- (D78) Positive connection 1 (30a) (in engine compartment wiring harness)
- (D197) Connection 5 (87a) (in engine compartment wiring harness)
- \* Depending on equipment
- \*2 Only for vehicles with a manual transmission
- \*3 Only for vehicles with automatic transmission

- ws = white
- sw = black
- ro = red
- rt = red
- br = brown
- gn = green
- bl = blue
- gr = grey
- li = lilac
- vi = lilac
- ge = yellow
- or = orange
- rs = pink

15K1-136040915





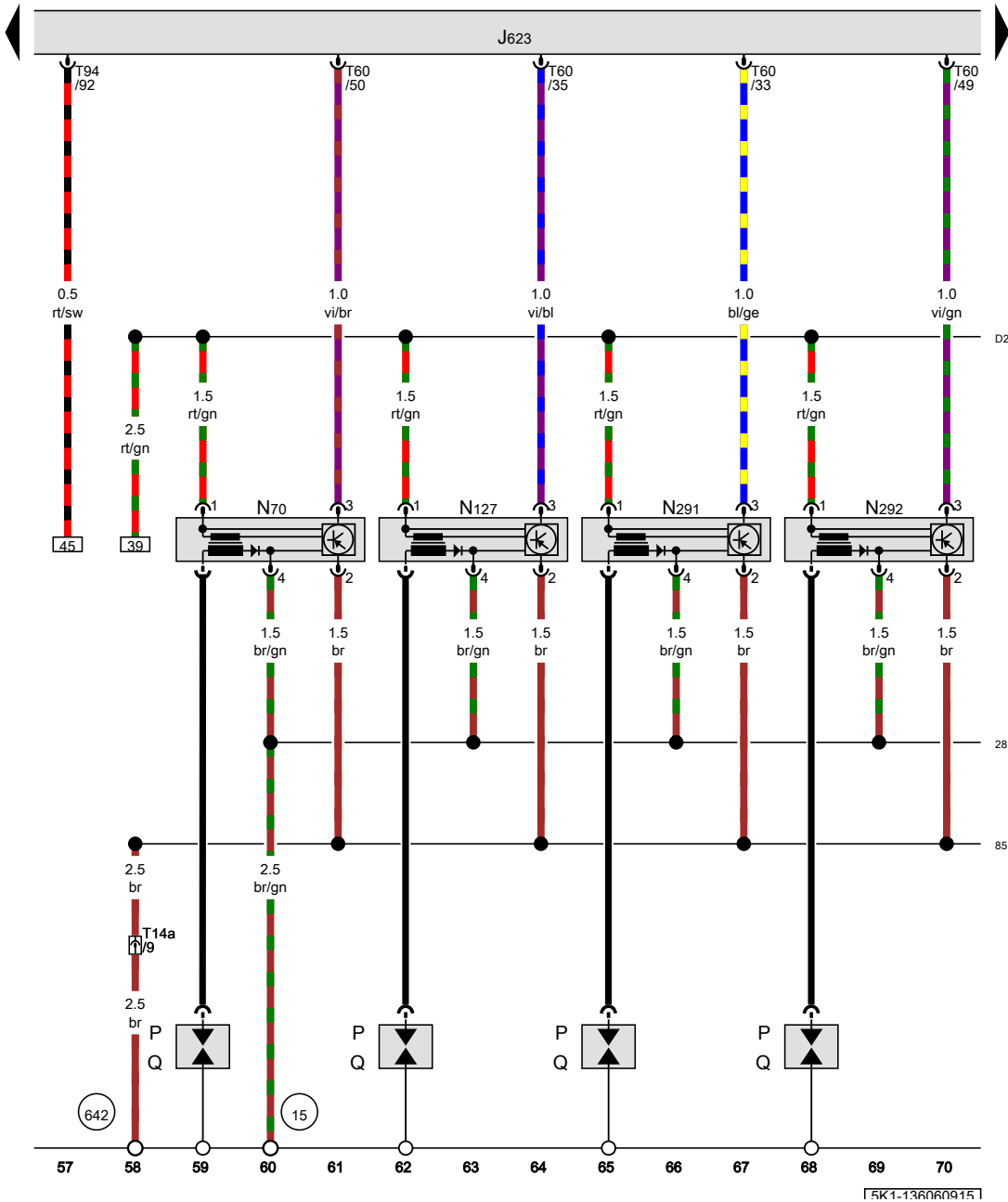
Motronic engine control module power supply relay, Engine control module, Fuse panel B

- J271 Motronic engine control module power supply relay
- J623 Engine control module, in the center plenum chamber
- SB Fuse panel B
- SB13 Fuse 13 (on fuse panel B)
- SB24 Fuse 24 (on fuse panel B)
- T40 40-pin connector
- T94 94-pin connector

- (131) Ground connection 2 (in engine compartment wiring harness)
- (607) Ground connection in plenum chamber, left
- (B441) Cruise control connection (in main wiring harness)
- (D78) Positive connection 1 (30a) (in engine compartment wiring harness)
- (D182) Connection 3 (87a) (in engine compartment wiring harness)

- ws = white
- sw = black
- ro = red
- rt = red
- br = brown
- gn = green
- bl = blue
- gr = grey
- li = lilac
- vi = lilac
- ge = yellow
- or = orange
- rs = pink

15K1-136050915



Engine control module, Ignition coil 1 with power output stage, Ignition coil 2 with power output stage, Ignition coil 3 with power output stage, Ignition coil 4 with power output stage, Spark plugs

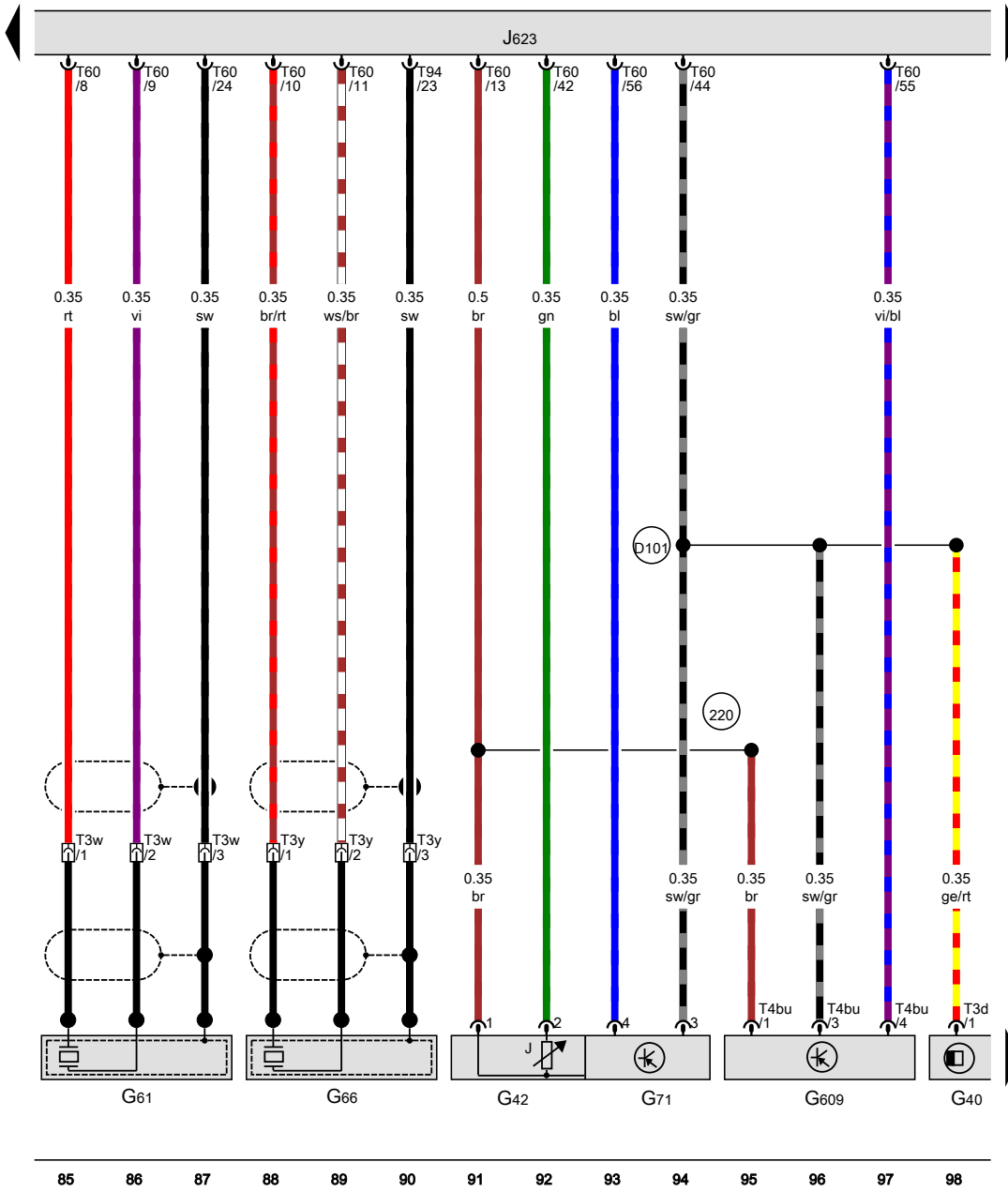
- J623 Engine control module, in the center plenum chamber
- N70 Ignition coil 1 with power output stage
- N127 Ignition coil 2 with power output stage
- N291 Ignition coil 3 with power output stage
- N292 Ignition coil 4 with power output stage
- P Spark plug connectors
- Q Spark plugs
- T14a 14-pin connector, near the battery
- T60 60-pin connector
- T94 94-pin connector

- 15 Ground connection on cylinder head
- 85 Ground connection 1 (in engine compartment wiring harness)
- 281 Ground connection 1 (in engine pre-wiring harness)
- 642 Electronic fan control ground connection
- D206 Connection 87a (in engine pre-wiring harness) 4

- ws = white
- sw = black
- ro = red
- rt = red
- br = brown
- gn = green
- bl = blue
- gr = grey
- li = lilac
- vi = lilac
- ge = yellow
- or = orange
- rs = pink

15K1-136060915





Camshaft position sensor, Intake air temperature sensor, Knock sensor 1, Knock sensor 2, Manifold absolute pressure sensor, Secondary air injection sensor 1, Engine control module

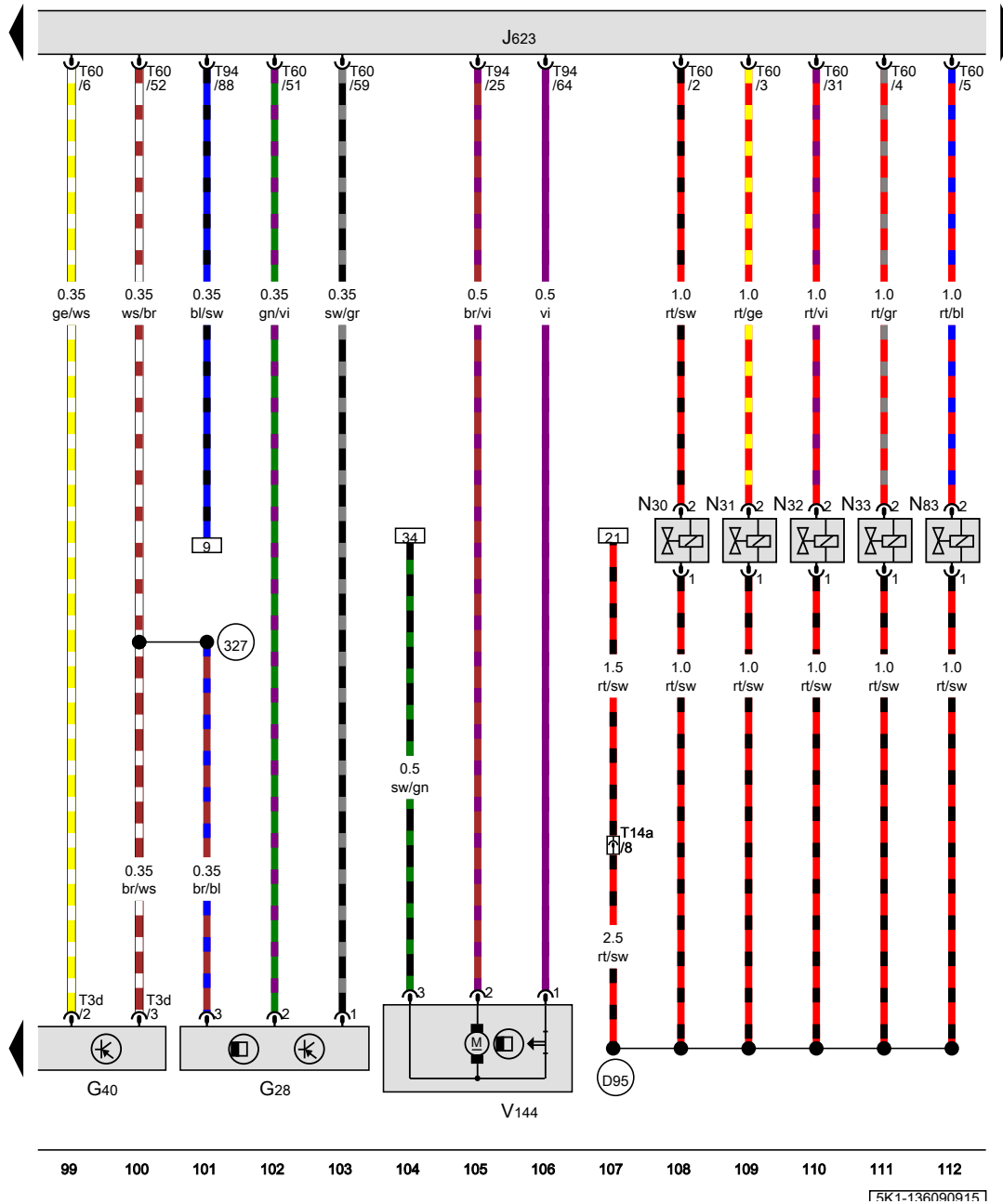
- G40 Camshaft position sensor
- G42 Intake air temperature sensor
- G61 Knock sensor 1
- G66 Knock sensor 2
- G71 Manifold absolute pressure sensor
- G609 Secondary air injection sensor 1
- J623 Engine control module, in the center plenum chamber
- T3d 3-pin connector
- T3w 3-pin connector, on the engine, front
- T3y 3-pin connector, on the engine, front
- T4bu 4-pin connector
- T60 60-pin connector
- T94 94-pin connector

(220) Sensor ground connection (in engine wiring harness)

(D101) Connection 1 (in engine compartment wiring harness)

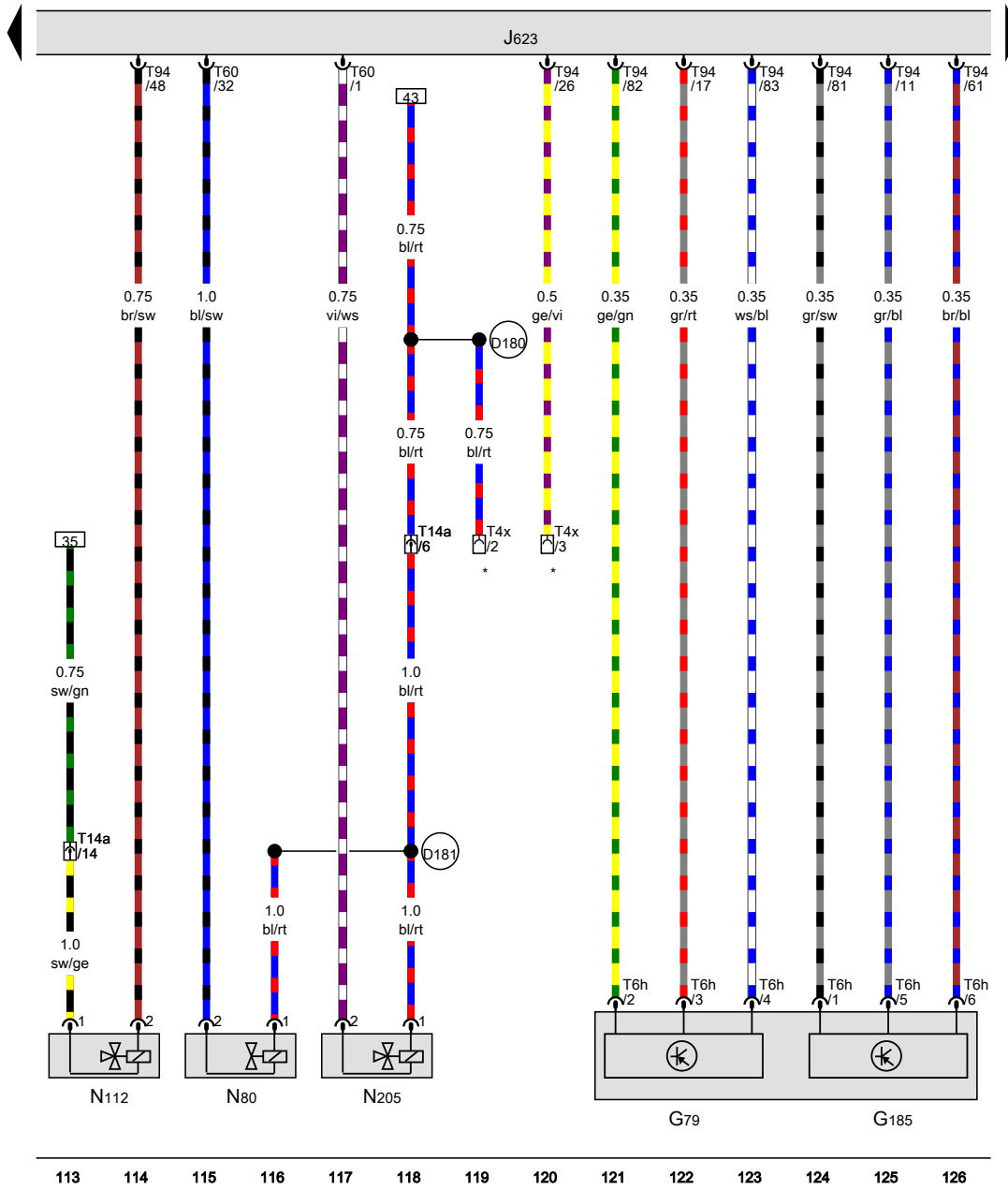
- ws = white
- sw = black
- ro = red
- rt = red
- br = brown
- gn = green
- bl = blue
- gr = grey
- li = lilac
- vi = lilac
- ge = yellow
- or = orange
- rs = pink

Engine speed sensor, Camshaft position sensor, Engine control module, Cylinder 1 fuel injector, Cylinder 2 fuel injector, Cylinder 3 fuel injector, Cylinder 4 fuel injector, Cylinder 5 fuel injector, Leak detection pump



- G28 Engine speed sensor
- G40 Camshaft position sensor
- J623 Engine control module, in the center plenum chamber
- N30 Cylinder 1 fuel injector
- N31 Cylinder 2 fuel injector
- N32 Cylinder 3 fuel injector
- N33 Cylinder 4 fuel injector
- N83 Cylinder 5 fuel injector
- T3d 3-pin connector
- T14a 14-pin connector, near the battery
- T60 60-pin connector
- T94 94-pin connector
- V144 Leak detection pump
- (327) Sensor ground connection (in engine compartment wiring harness)
- (D95) Injector connection (in engine compartment wiring harness)

- ws = white
- sw = black
- ro = red
- rt = red
- br = brown
- gn = green
- bl = blue
- gr = grey
- li = lilac
- vi = lilac
- ge = yellow
- or = orange
- rs = pink

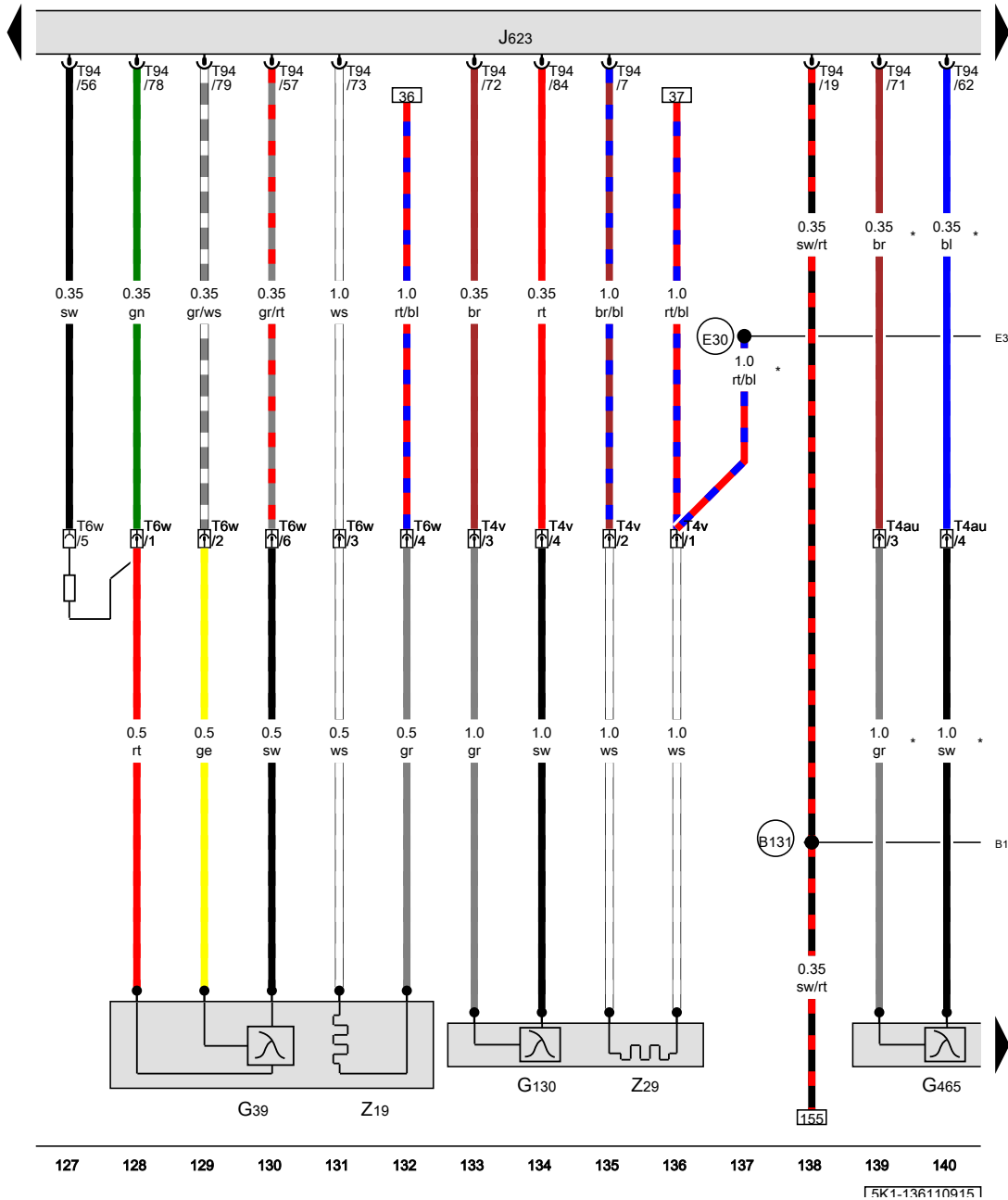


Accelerator pedal position sensor, Accelerator pedal position sensor 2, Engine control module, EVAP canister purge regulator valve 1, Secondary air injection solenoid valve, Camshaft adjustment valve 1

- G79 Accelerator pedal position sensor
- G185 Accelerator pedal position sensor 2
- J623 Engine control module, in the center plenum chamber
- N80 EVAP canister purge regulator valve 1
- N112 Secondary air injection solenoid valve
- N205 Camshaft adjustment valve 1
- T4x 4-pin connector, on the lower left coolant fan
- T6h 6-pin connector
- T14a 14-pin connector, near the battery
- T60 60-pin connector
- T94 94-pin connector
- D180 Connection 87a (in engine compartment wiring harness)
- D181 Connection 2 (87a) (in engine compartment wiring harness)
- \* Radiator fan connection

- ws = white
- sw = black
- ro = red
- rt = red
- br = brown
- gn = green
- bl = blue
- gr = grey
- li = lilac
- vi = lilac
- ge = yellow
- or = orange
- rs = pink

15K1-136100915



Heated oxygen sensor, Oxygen sensor after catalytic converter, Center oxygen sensor for bank 1 catalytic converter, Engine control module

- G39 Heated oxygen sensor
- G130 Oxygen sensor after catalytic converter
- G465 Center oxygen sensor for bank 1 catalytic converter
- J623 Engine control module, in the center plenum chamber
- T4au 4-pin connector, near the oxygen sensor
- T4v 4-pin connector, in the engine compartment, front
- T6w 6-pin connector, in the engine compartment, rear
- T94 94-pin connector
- Z19 Oxygen sensor heater
- Z29 Heater for oxygen sensor 1 after catalytic converter

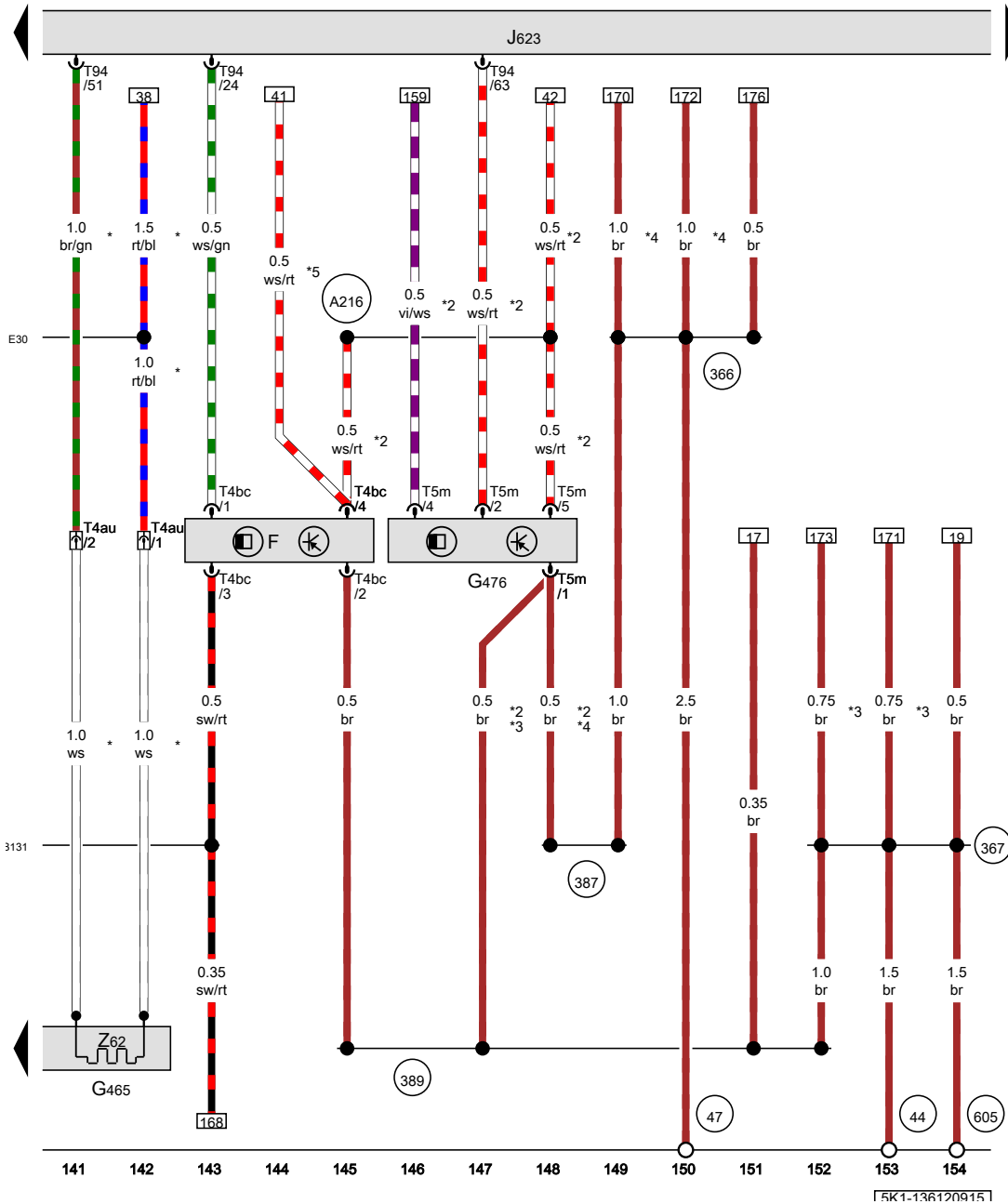
B131 Connection 54 (in interior wiring harness)

E30 Connection 87a (in engine wiring harness)

\* Depending on equipment

- ws = white
- sw = black
- ro = red
- rt = red
- br = brown
- gn = green
- bl = blue
- gr = grey
- li = lilac
- vi = lilac
- ge = yellow
- or = orange
- rs = pink

15K1-136110915



Brake lamp switch, Center oxygen sensor for bank 1 catalytic converter, Clutch position sensor, Engine control module

- F Brake lamp switch
- G465 Center oxygen sensor for bank 1 catalytic converter
- G476 Clutch position sensor
- J623 Engine control module, in the center plenum chamber
- T4au 4-pin connector, near the oxygen sensor
- T4bc 4-pin connector
- T5m 5-pin connector
- T94 94-pin connector
- Z62 Oxygen sensor 3 heater

- 44 Ground connection on A-pillar, lower left
- 47 Ground connection in right front footwell
- 366 Ground connection 1 (in main wiring harness)
- 367 Ground connection 2 (in main wiring harness)
- 387 Ground connection 22 (in main wiring harness)
- 389 Ground connection 24 (in main wiring harness)
- 605 Ground connection on upper steering column
- A216 Positive connection 2 (87a) (in instrument panel wiring harness)
- B131 Connection 54 (in interior wiring harness)
- E30 Connection 87a (in engine wiring harness)

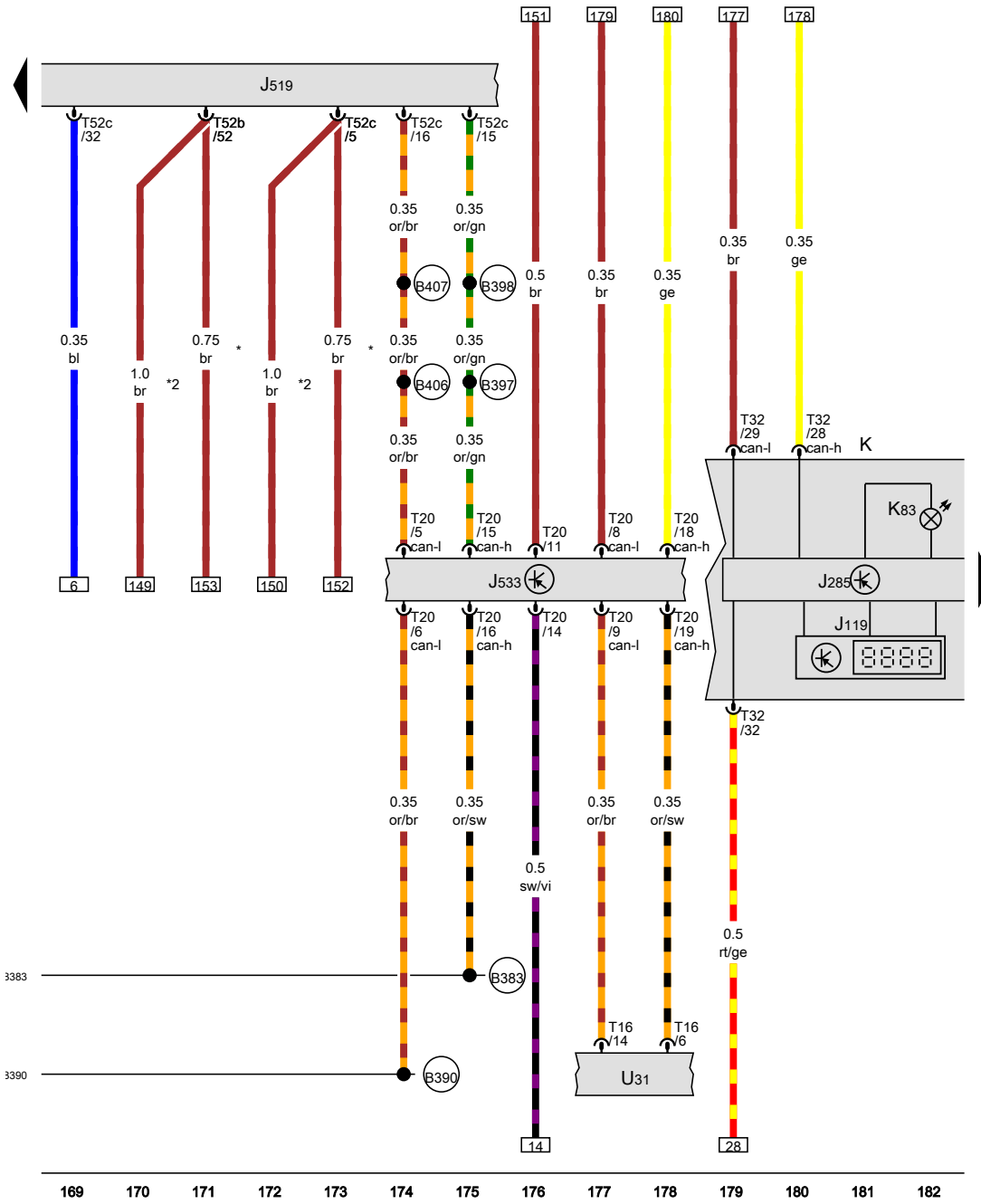
- ws = white
- sw = black
- ro = red
- rt = red
- br = brown
- gn = green
- bl = blue
- gr = grey
- li = lilac
- vi = lilac
- ge = yellow
- or = orange
- rs = pink

- \* Depending on equipment
- \*2 Only for vehicles with a manual transmission
- \*3 Only for left-hand drive vehicles
- \*4 Only for right-hand drive vehicles
- \*5 Only for vehicles with automatic transmission

15K1-136120915







**Multifunction indicator, Instrument cluster control module, Vehicle electrical control module system, Data bus on board diagnostic interface**

- J119 Multifunction indicator
- J285 Instrument cluster control module
- J519 Vehicle electrical control module system
- J533 Data bus on board diagnostic interface, in the left footwell, near the center console
- K Instrument cluster
- K83 Malfunction indicator lamp
- T16 16-pin connector
- T20 20-pin connector
- T32 32-pin connector
- T52b 52-pin connector
- T52c 52-pin connector
- U31 Diagnostic connection

- (B383) Powertrain CAN bus high connection 1 (in main wiring harness)
- (B390) Powertrain CAN bus low connection 1 (in main wiring harness)
- (B397) Comfort system CAN bus high connection 1 (in main wiring harness)
- (B398) Comfort system CAN bus high connection 2 (in main wiring harness)
- (B406) Comfort system CAN bus low connection 1 (in main wiring harness)
- (B407) Comfort system CAN bus low connection 2 (in main wiring harness)

\* Only for left-hand drive vehicles  
 \*2 Only for right-hand drive vehicles

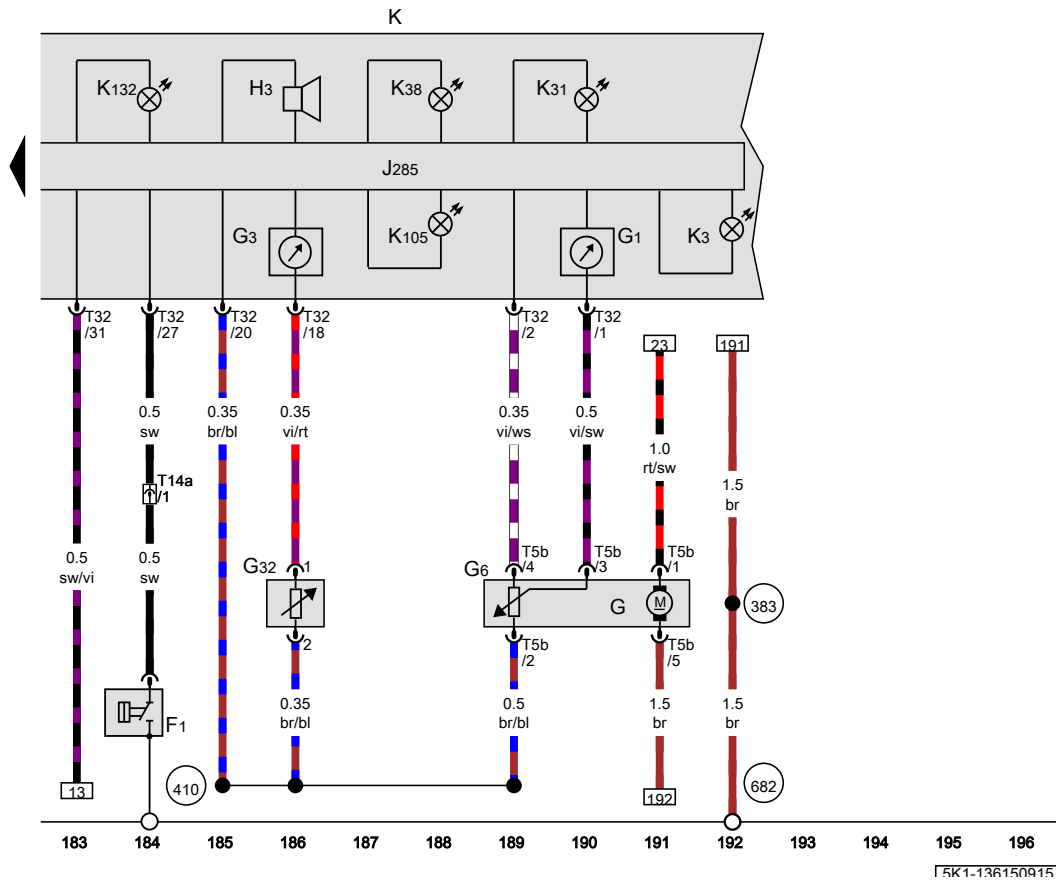
- ws = white
- sw = black
- ro = red
- rt = red
- br = brown
- gn = green
- bl = blue
- gr = grey
- li = lilac
- vi = lilac
- ge = yellow
- or = orange
- rs = pink

15K1-1361409151

Oil pressure switch, Fuel level sensor, Fuel gauge, Engine coolant temperature gauge, Transfer fuel pump, Engine coolant level sensor, Instrument cluster control module

- F1 Oil pressure switch
- G Fuel level sensor
- G1 Fuel gauge
- G3 Engine coolant temperature gauge
- G6 Transfer fuel pump
- G32 Engine coolant level sensor
- H3 Warning buzzer and tone
- J285 Instrument cluster control module
- K Instrument cluster
- K3 Oil pressure indicator lamp
- K31 Cruise control indicator lamp
- K38 Oil level indicator lamp
- K105 Low fuel level indicator lamp
- K132 Electronic power control malfunction indicator lamp
- T5b 5-pin connector
- T14a 14-pin connector, near the battery
- T32 32-pin connector

- 383 Ground connection 18 (in main wiring harness)
- 410 Sensor ground connection 1 (in main wiring harness)
- 682 Ground connection 2 in right rear side panel

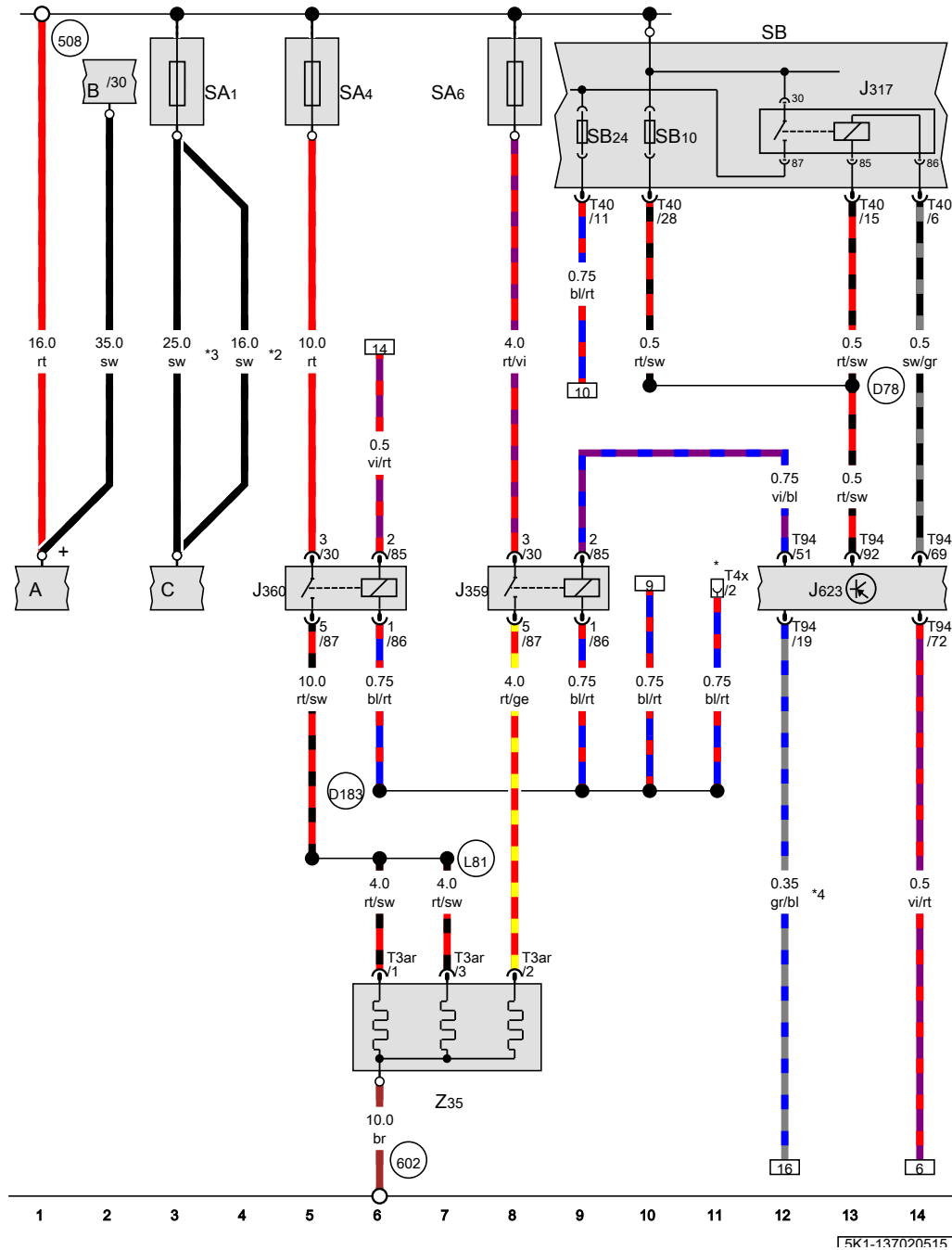


- ws = white
- sw = black
- ro = red
- rt = red
- br = brown
- gn = green
- bl = blue
- gr = grey
- li = lilac
- vi = lilac
- ge = yellow
- or = orange
- rs = pink

15K1-136150915

**Auxiliary heater (PTC), gasoline engine , (7E6)**

from November 2011

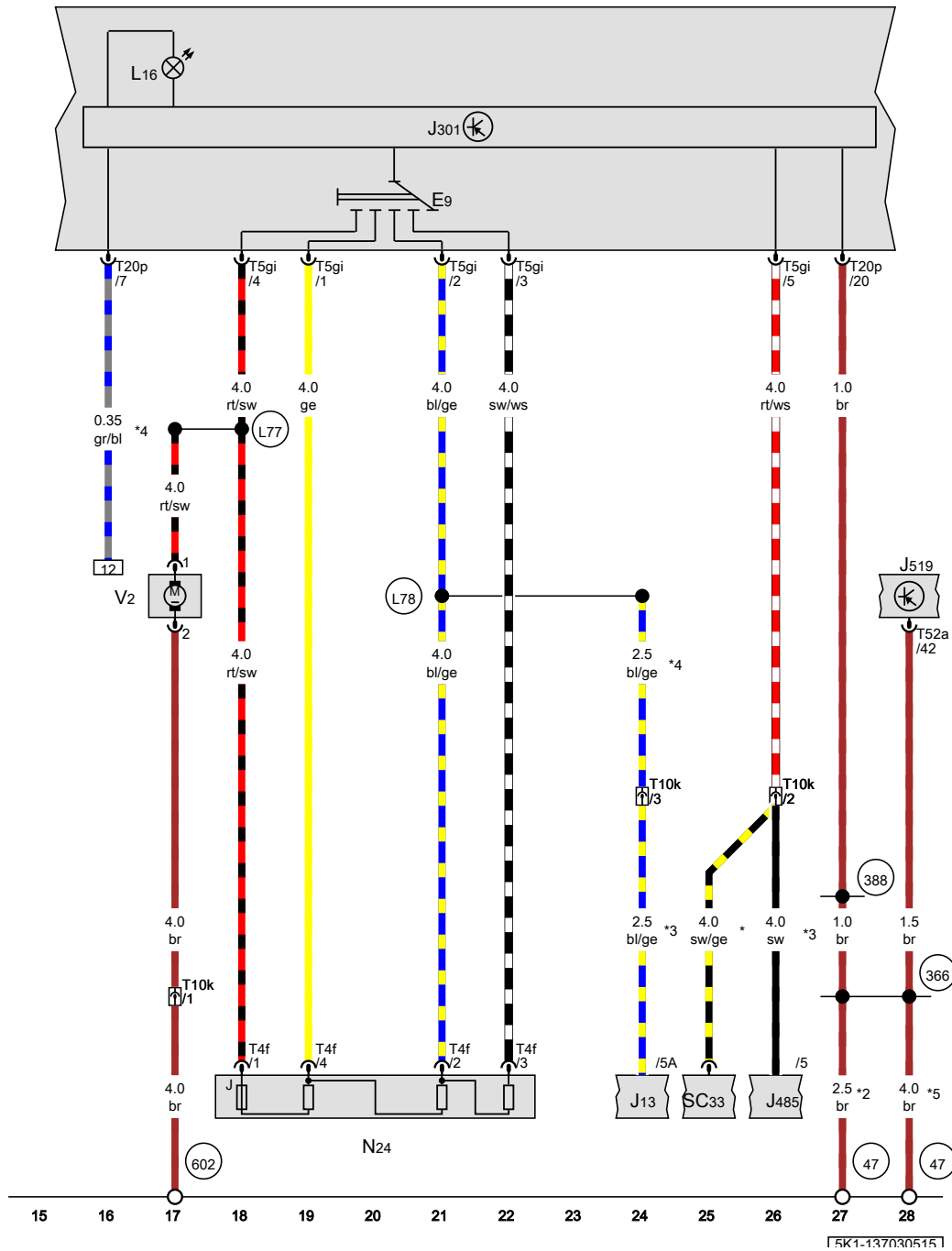


Terminal 30 power supply relay, Low heat output relay, High heat output relay, Engine control module, Fuse 1 (on fuse panel A), Fuse 4 (on fuse panel A), Fuse 6 (on fuse panel A), Fuse panel B, Auxiliary heater heating element

- A Battery
- B Starter
- C Generator
- J317 Terminal 30 power supply relay
- J359 Low heat output relay
- J360 High heat output relay
- J623 Engine control module, in the center plenum chamber
- SA1 Fuse 1 (on fuse panel A)
- SA4 Fuse 4 (on fuse panel A)
- SA6 Fuse 6 (on fuse panel A)
- SB Fuse panel B
- SB10 Fuse 10 (on fuse panel B)
- SB24 Fuse 24 (on fuse panel B)
- T3ar 3-pin connector
- T4x 4-pin connector
- T40 40-pin connector
- T94 94-pin connector
- Z35 Auxiliary heater heating element
- 508 Terminal 30 threaded connection (on E-box)
- 602 Ground connection in left front footwell
- D78 Positive connection 1 (30a) (in engine compartment wiring harness)
- D183 Connection 4 (87a) (in engine compartment wiring harness)
- L81 Connection (in auxiliary heater wiring harness)
- \* Coolant fan connection
- \*2 Only for vehicles with 90 A/120 A generator
- \*3 Only for vehicles with a generator (140 A)
- \*4 Only for vehicles without an A/C system

- ws = white
- sw = black
- ro = red
- rt = red
- br = brown
- gn = green
- bl = blue
- gr = grey
- li = lilac
- vi = lilac
- ge = yellow
- or = orange
- rs = pink

15K1-1370205151



Fresh air blower switch, A/C control module, Fresh air blower series resistor with fuse, Fresh air blower

- E9 Fresh air blower switch
- J13 Fresh air blower relay
- J301 A/C control module
- J485 Auxiliary heater operation relay
- J519 Vehicle electrical control module system
- L16 Fresh air control illumination bulb
- N24 Fresh air blower series resistor with fuse
- SC33 Fuse 33 (on fuse panel C)
- T4f 4-pin connector
- T5gi 5-pin connector
- T9 9-pin connector
- T10k 10-pin connector, behind the instrument panel, right
- T20p 20-pin connector
- T52a 52-pin connector
- V2 Fresh air blower

- 47 Ground connection in right front footwell
- 366 Ground connection 1 (in main wiring harness)
- 388 Ground connection 23 (in main wiring harness)
- 602 Ground connection in left front footwell
- L77 Connection (in fresh air blower wiring harness)
- L78 Connection 1 (in fresh air blower wiring harness)

- \* Only for vehicles without auxiliary water heater
- \*2 Only for vehicles without Start/Stop system
- \*3 Only for vehicles with auxiliary water heater
- \*4 Only for vehicles without an A/C system
- \*5 Only for vehicles with Start/Stop system

- ws = white
- sw = black
- ro = red
- rt = red
- br = brown
- gn = green
- bl = blue
- gr = grey
- li = lilac
- vi = lilac
- ge = yellow
- or = orange
- rs = pink

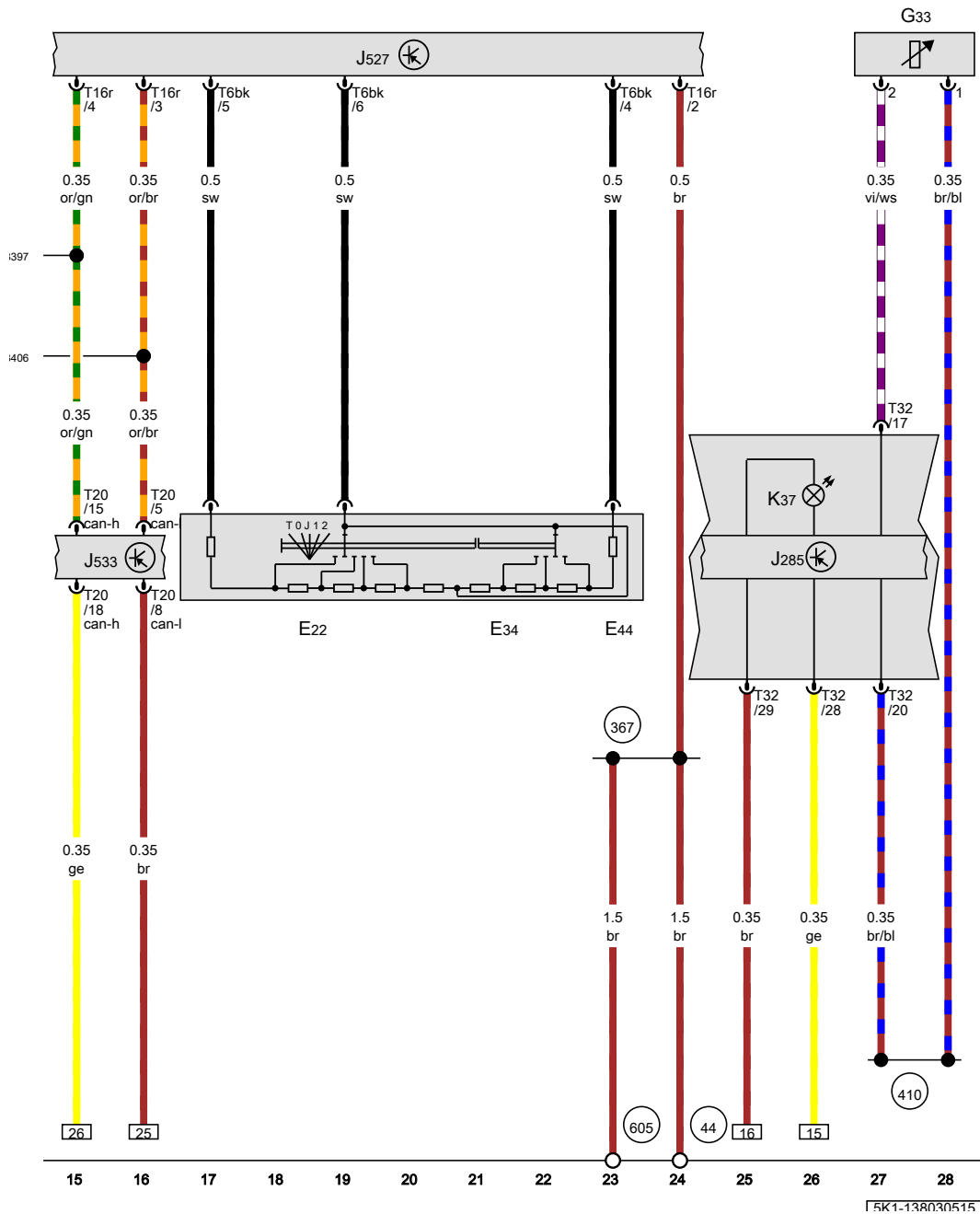
15K1-137030515

**Washer system, headlamps , (8X1)**

from November 2011







Windshield wiper intermittent mode switch, Rear window wiper switch, Windshield and headlamp washer pump switch, Windshield washer fluid level sensor, Instrument cluster control module, Steering column electronics control module, Data bus on board diagnostic interface, Windshield washer fluid level indicator lamp

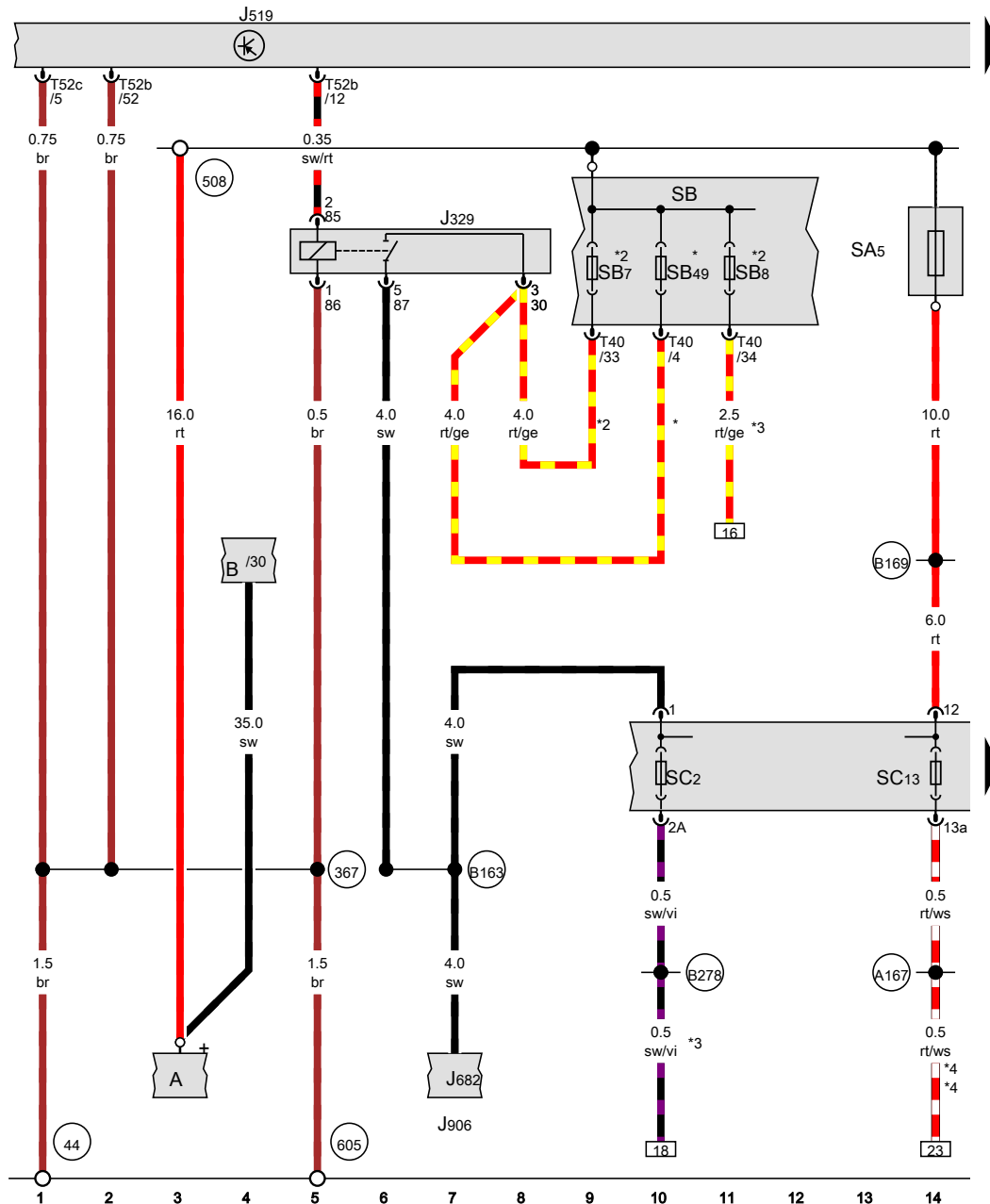
- E22 Windshield wiper intermittent mode switch
- E34 Rear window wiper switch
- E44 Windshield and headlamp washer pump switch
- G33 Windshield washer fluid level sensor
- J285 Instrument cluster control module
- J527 Steering column electronics control module
- J533 Data bus on board diagnostic interface, in the left footwell, near the center console
- K37 Windshield washer fluid level indicator lamp
- T6bk 6-pin connector
- T16r 16-pin connector
- T20 20-pin connector
- T32 32-pin connector

- 44 Ground connection on A-pillar, lower left
- 367 Ground connection 2 (in main wiring harness)
- 410 Sensor ground connection 1 (in main wiring harness)
- 605 Ground connection on upper steering column
- B397 Comfort system CAN bus high connection 1 (in main wiring harness)
- B406 Comfort system CAN bus low connection 1 (in main wiring harness)

- ws = white
- sw = black
- ro = red
- rt = red
- br = brown
- gn = green
- bl = blue
- gr = grey
- li = lilac
- vi = lilac
- ge = yellow
- or = orange
- rs = pink

15K1-138030515

**Compass , (QR1)**  
from May 2011

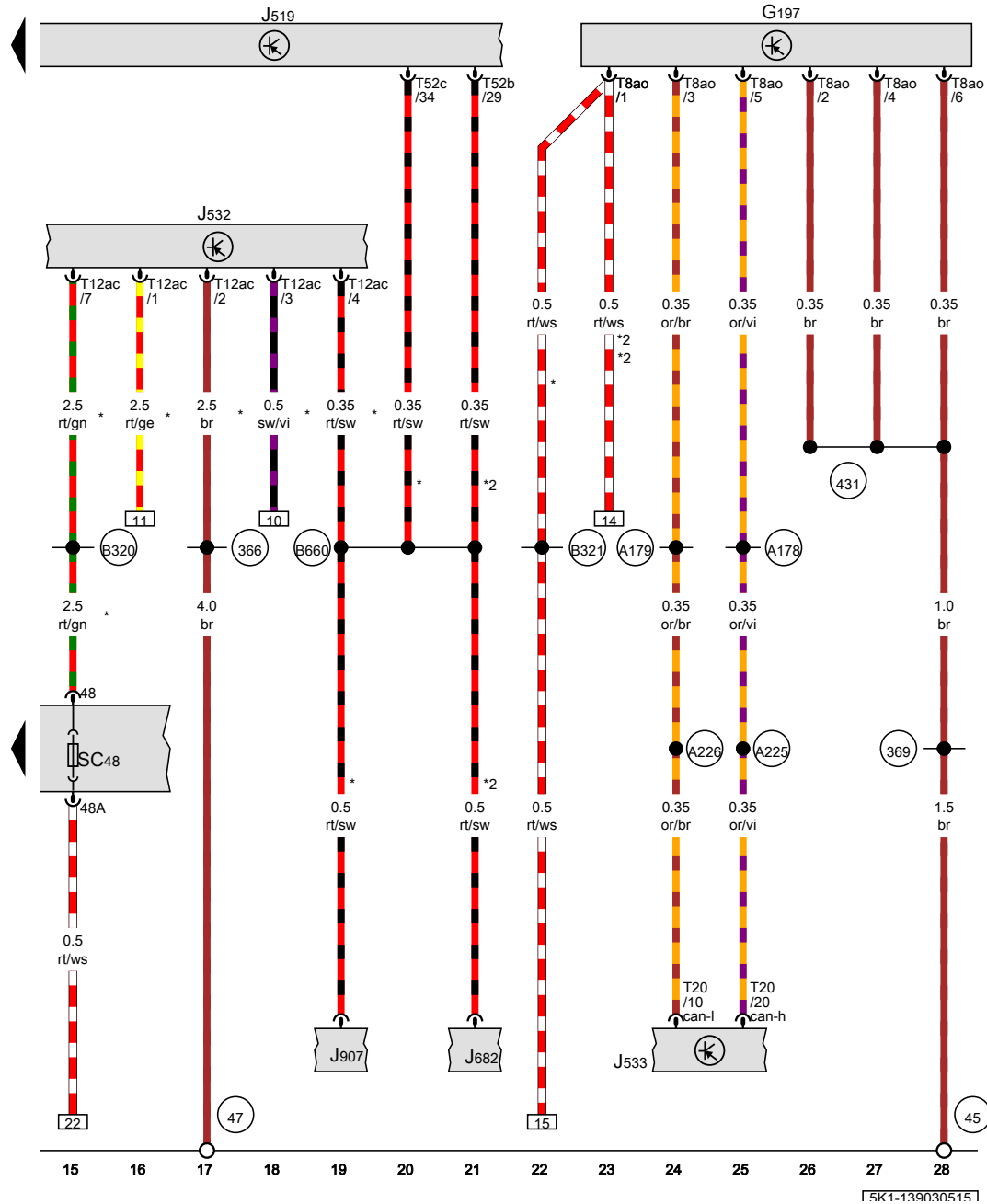


15K1-139020515

Terminal 15 power supply relay, Fuse panel B, Fuse 2 (on fuse panel C), Fuse 5 (on fuse panel A), Fuse 13 (on fuse panel C)

- A Battery
  - B Starter
  - J329 Terminal 15 power supply relay
  - J519 Vehicle electrical control module system
  - J682 Terminal 50 power supply relay
  - J906 Starter relay 1
  - SB Fuse panel B
  - SC2 Fuse 2 (on fuse panel C)
  - SA5 Fuse 5 (on fuse panel A)
  - SB7 Fuse 7 (on fuse panel B)
  - SB8 Fuse 8 (on fuse panel B)
  - SB49 Fuse 49 (on fuse panel B)
  - SC13 Fuse 13 (on fuse panel C)
  - T40 40-pin connector
  - T52b 52-pin connector
  - T52c 52-pin connector
- 44 Ground connection on A-pillar, lower left
  - 367 Ground connection 2 (in main wiring harness)
  - 508 Terminal 30 threaded connection (on E-box)
  - 605 Ground connection on upper steering column
  - A167 Positive connection 3 (30a) (in instrument panel wiring harness)
  - B163 Positive connection 1 (15) (in interior wiring harness)
  - B169 Positive connection 1 (30) (in interior wiring harness)
  - B278 Positive connection 2 (15a) (in main wiring harness)
- \* E-Box high
  - \*2 E-Box low
  - \*3 Only for vehicles with Start/Stop system
  - \*4 Only for vehicles without Start/Stop system

- ws = white
- sw = black
- ro = red
- rt = red
- br = brown
- gn = green
- bl = blue
- gr = grey
- li = lilac
- vi = lilac
- ge = yellow
- or = orange
- rs = pink



Compass magnetic field sensor, Voltage stabilizer, Data bus on board diagnostic interface, Fuse 48 (on fuse panel C)

- G197 Compass magnetic field sensor
- J519 Vehicle electrical control module system
- J532 Voltage stabilizer
- J533 Data bus on board diagnostic interface, in the left footwell, near the center console
- J682 Terminal 50 power supply relay
- J907 Starter relay 2
- SC48 Fuse 48 (on fuse panel C)
- T8ao 8-pin connector
- T12ac 12-pin connector
- T20 20-pin connector
- T52b 52-pin connector
- T52c 52-pin connector

- 45 Ground connection behind instrument panel, center
- 47 Ground connection in right front footwell
- 366 Ground connection 1 (in main wiring harness)
- 369 Ground connection 4 (in main wiring harness)
- 431 Ground connection 2 (in roof wiring harness)
- A178 Infotainment CAN bus high connection (in instrument panel wiring harness)
- A179 Infotainment CAN bus low connection (in instrument panel wiring harness)
- A225 Infotainment CAN bus high connection 2 (in instrument panel wiring harness)
- A226 Infotainment CAN bus low connection 2 (in instrument panel wiring harness)
- B320 Positive connection 6 (30a) (in main wiring harness)
- B321 Positive connection 7 (30a) (in main wiring harness)
- B660 Diagnostic terminal 50 connection (in main wiring harness)

- ws = white
- sw = black
- ro = red
- rt = red
- br = brown
- gn = green
- bl = blue
- gr = grey
- li = lilac
- vi = lilac
- ge = yellow
- or = orange
- rs = pink

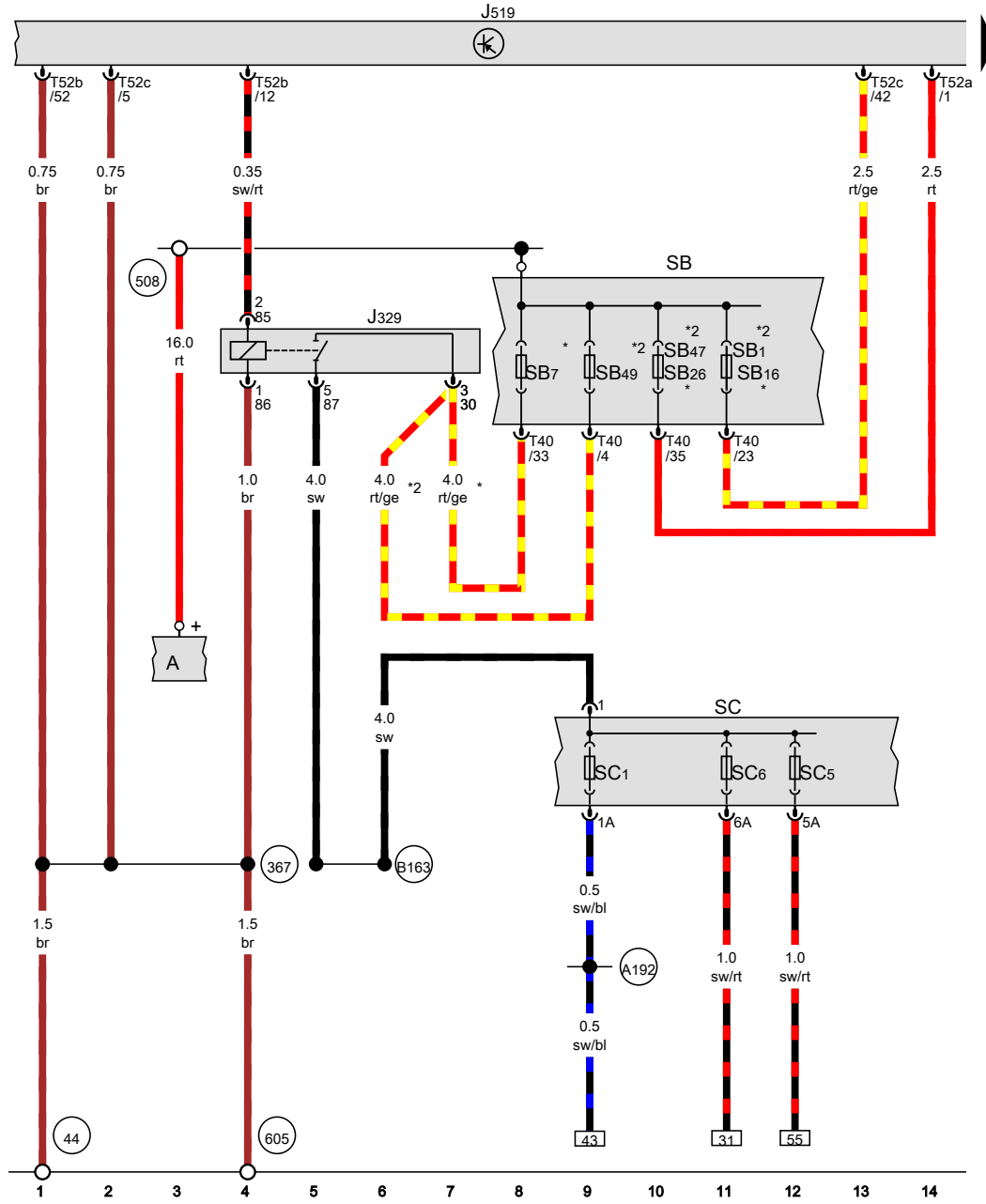
\* Only for vehicles with Start/Stop system  
 \*2 Only for vehicles without Start/Stop system

1FK1-1390305151

## Headlamps HID with range control , (8G0)

from November 2010

Terminal 15 power supply relay, Vehicle electrical control module system, Fuse panel B, Fuse panel C

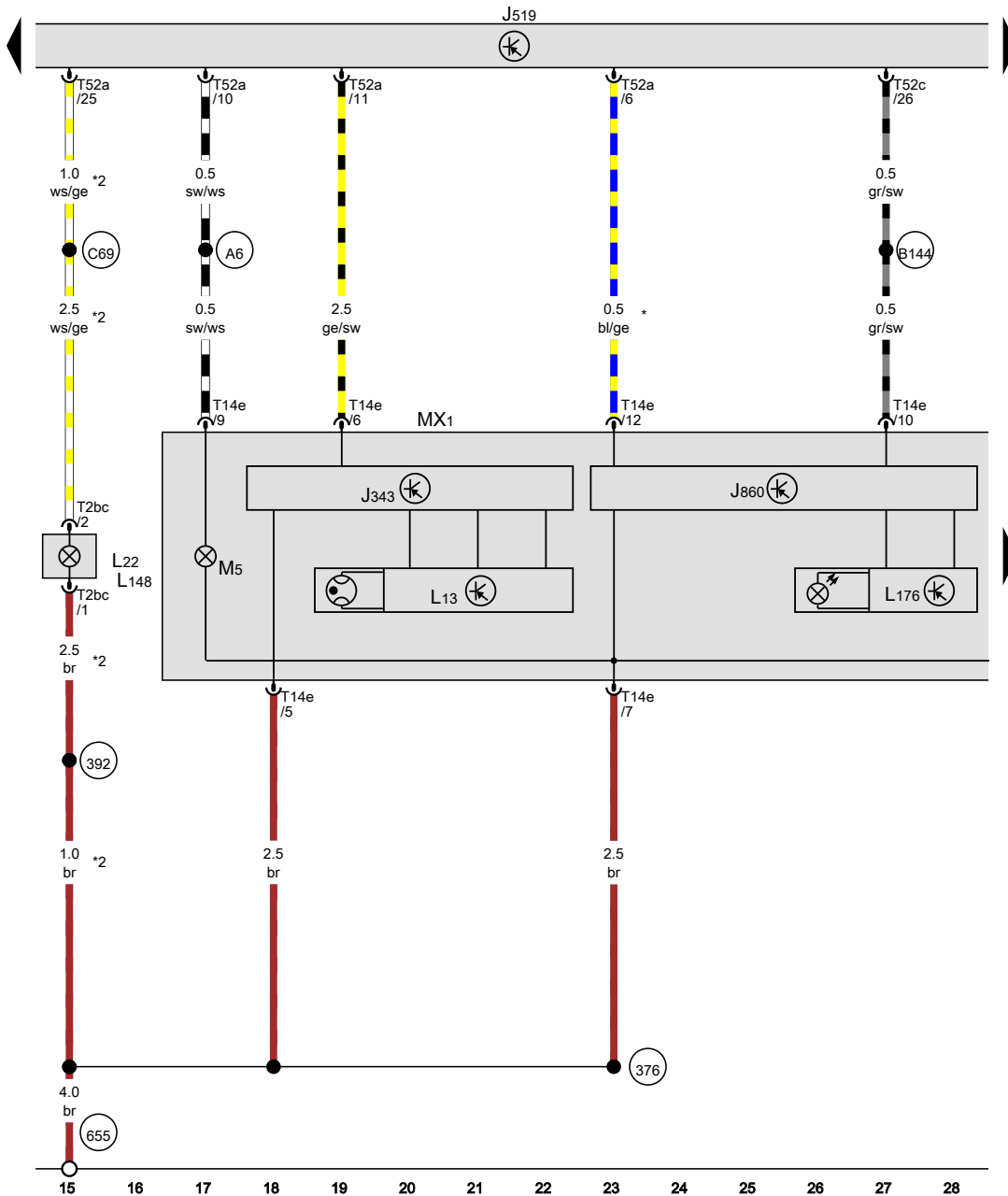


- A Battery
- J329 Terminal 15 power supply relay
- J519 Vehicle electrical control module system
- SB Fuse panel B
- SC1 Fuse 1 (on fuse panel C)
- SB1 Fuse 1 (on fuse panel B)
- SC5 Fuse 5 (on fuse panel C)
- SC6 Fuse 6 (on fuse panel C)
- SB7 Fuse 7 (on fuse panel B)
- SB16 Fuse 16 (on fuse panel B)
- SB26 Fuse 26 (on fuse panel B)
- SB47 Fuse 47 (on fuse panel B)
- SB49 Fuse 49 (on fuse panel B)
- SC Fuse panel C
- T40 40-pin connector
- T52a 52-pin connector
- T52b 52-pin connector
- T52c 52-pin connector

- 44 Ground connection on A-pillar, lower left
- 367 Ground connection 2 (in main wiring harness)
- 508 Terminal 30 threaded connection (on E-box)
- 605 Ground connection on upper steering column
- A192 Positive connection 3 (15a) (in instrument panel wiring harness)
- B163 Positive connection 1 (15) (in interior wiring harness)
- \* E-Box low
- \*2 E-Box high

- ws = white
- sw = black
- ro = red
- rt = red
- br = brown
- gn = green
- bl = blue
- gr = grey
- li = lilac
- vi = lilac
- ge = yellow
- or = orange
- rs = pink

1FK1-145020515



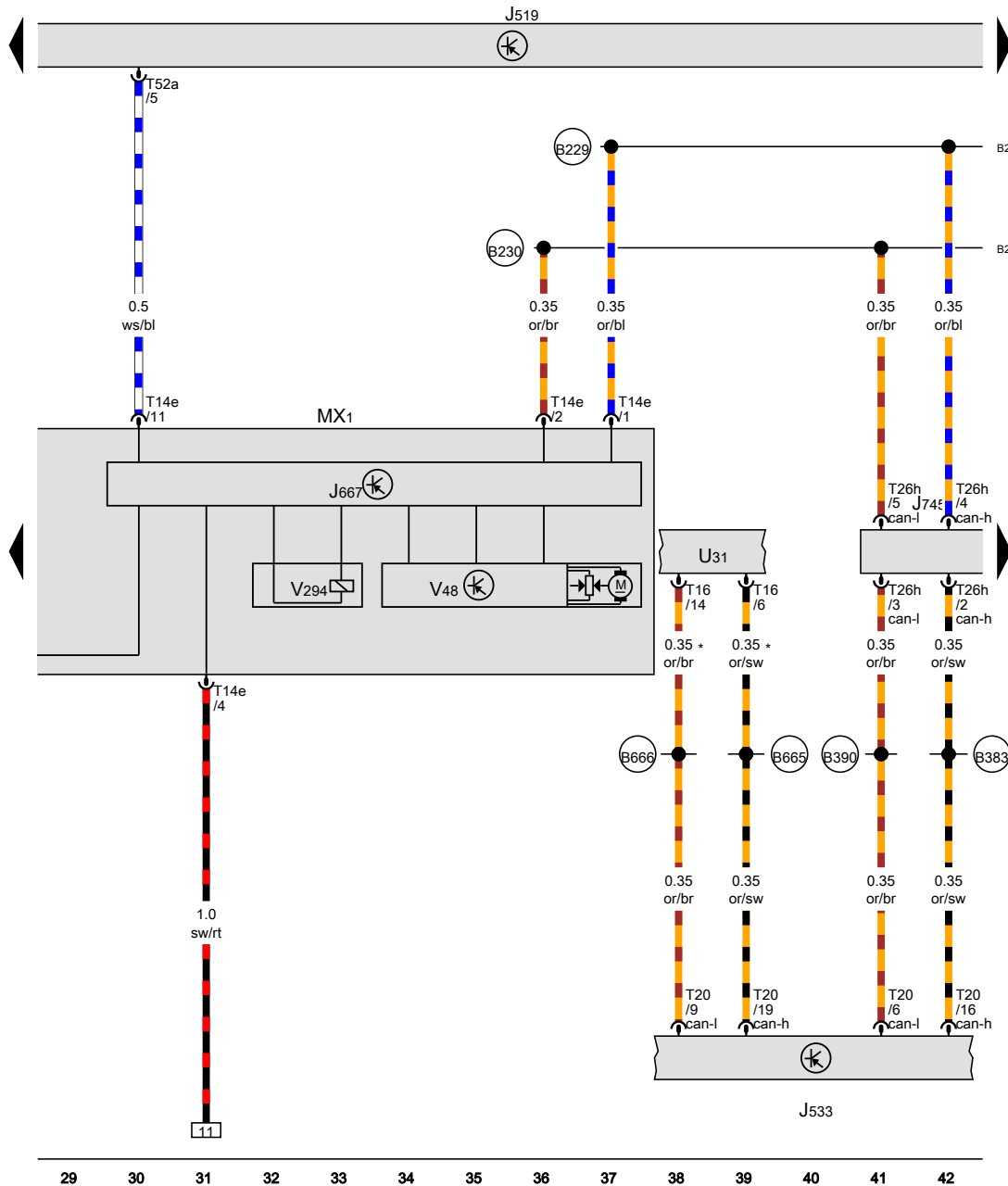
Left HID headlamp control module, Vehicle electrical control module system, Left HID headlamp bulb, Left front fog lamp bulb, Left cornering lamp bulb, Left daytime running lamp and position lamp LED module, Left front turn signal bulb

- J343 Left HID headlamp control module, on the left headlamp
- J519 Vehicle electrical control module system
- J860 Left daytime running lamp and position lamp control module, in the left headlamp
- L13 Left HID headlamp bulb
- L22 Left front fog lamp bulb
- L148 Left cornering lamp bulb
- L176 Left daytime running lamp and position lamp LED module
- MX1 Left front headlamp
- M5 Left front turn signal bulb
- T2bc Double connector
- T14e 14-pin connector
- T52a 52-pin connector
- T52c 52-pin connector

- 376 Ground connection 11 (in main wiring harness)
- 392 Ground connection 27 (in main wiring harness)
- 655 Ground connection on left headlamp
- A6 Left turn signal positive connection (in instrument panel wiring harness)
- B144 Positive connection (58L) (in interior wiring harness)
- C69 Fog lamp connection (in left front wiring harness)
- \* Only for vehicles with daytime running lamps
- \*2 Only for vehicles with fog lamps

- ws = white
- sw = black
- ro = red
- rt = red
- br = brown
- gn = green
- bl = blue
- gr = grey
- li = lilac
- vi = lilac
- ge = yellow
- or = orange
- rs = pink

1FK1-145030515



Vehicle electrical control module system, Data bus on board diagnostic interface, Left headlamp power output module, Cornering lamp and headlamp range control module, Left headlamp beam adjustment motor, Left low beam headlamp reflector motor

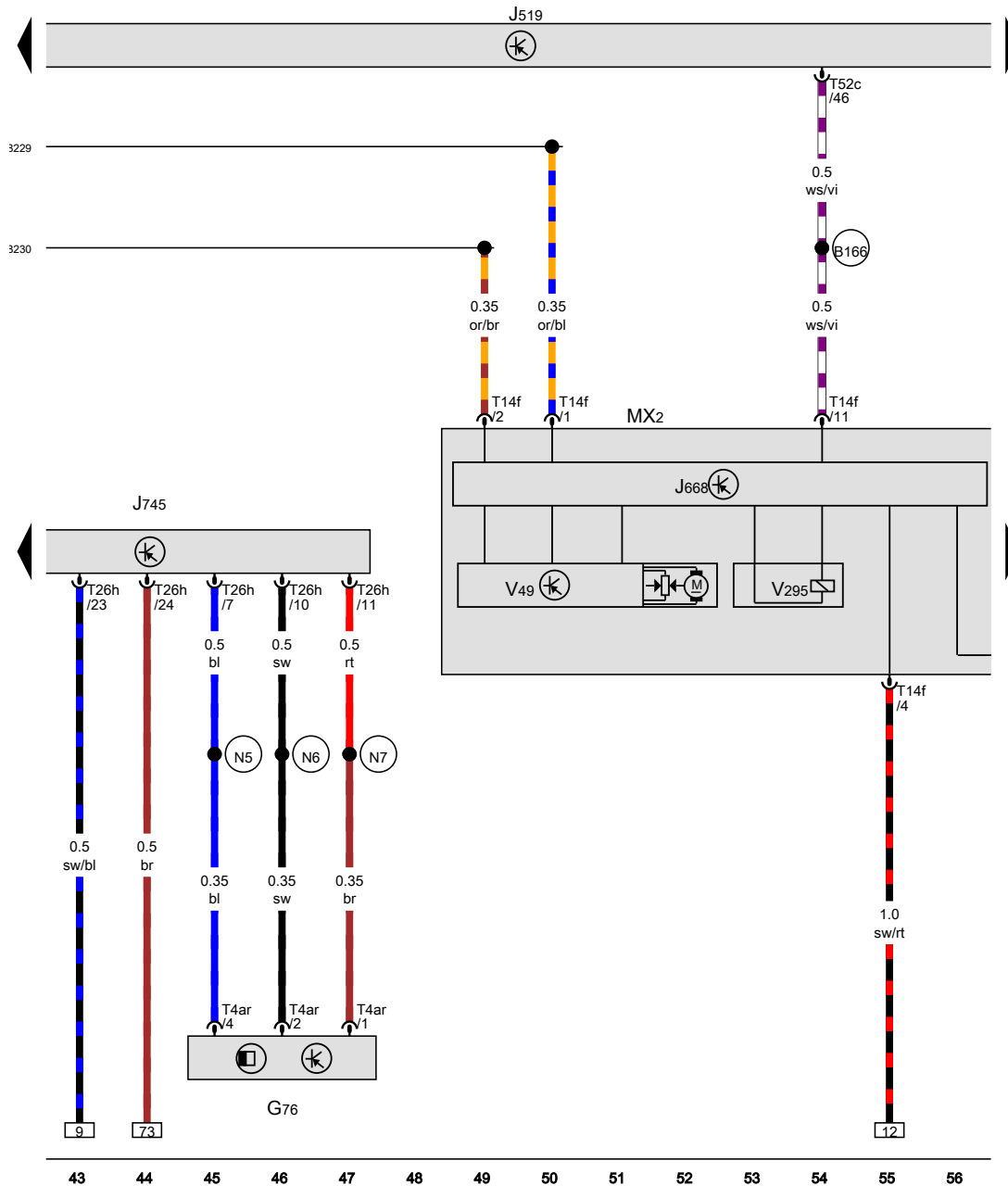
- J519 Vehicle electrical control module system
- J533 Data bus on board diagnostic interface, in the left footwell, near the center console
- J667 Left headlamp power output module, on the left headlamp
- J745 Cornering lamp and headlamp range control module, on the right glove compartment
- MX1 Left front headlamp
- T14e 14-pin connector
- T16 16-pin connector
- T20 20-pin connector
- T26h 26-pin connector
- T52a 52-pin connector
- U31 Diagnostic connection
- V48 Left headlamp beam adjustment motor
- V294 Left low beam headlamp reflector motor

- (B229) High bus connection (in interior wiring harness)
- (B230) Low bus connection (in interior wiring harness)
- (B383) Powertrain CAN bus high connection 1 (in main wiring harness)
- (B390) Powertrain CAN bus low connection 1 (in main wiring harness)
- (B665) CAN bus extended high connection 1 (in instrument panel wiring harness)
- (B666) CAN bus extended low connection 1 (in instrument panel wiring harness)
- \* Diagnostic connector

- ws = white
- sw = black
- ro = red
- rt = red
- br = brown
- gn = green
- bl = blue
- gr = grey
- li = lilac
- vi = lilac
- ge = yellow
- or = orange
- rs = pink

15K1-1450405151





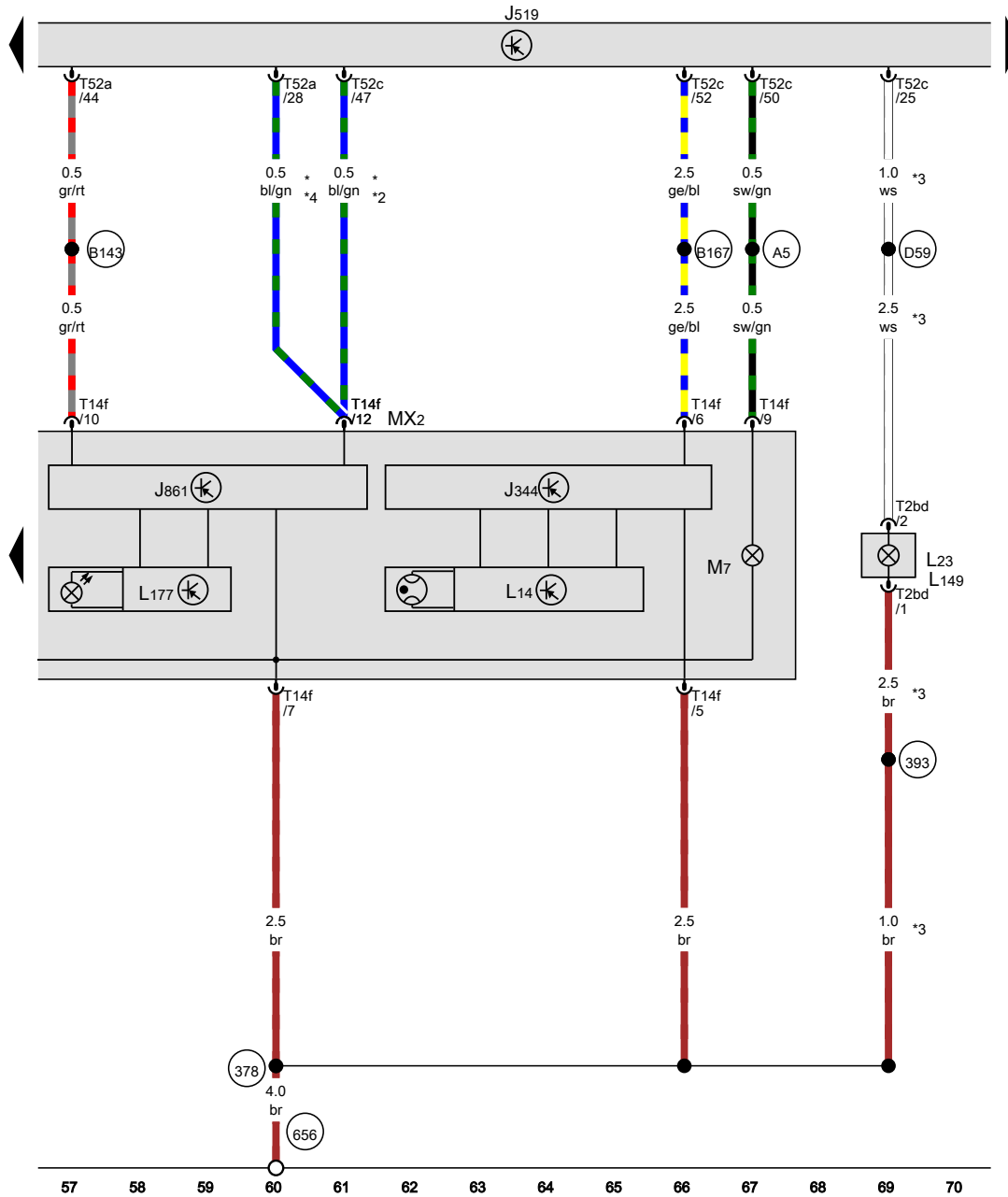
Left rear level control system sensor, Vehicle electrical control module system, Right headlamp power output module, Cornering lamp and headlamp range control module, Right headlamp beam adjustment motor, Right low beam headlamp reflector motor

- G76 Left rear level control system sensor
- J519 Vehicle electrical control module system
- J668 Right headlamp power output module, on the right headlamp
- J745 Cornering lamp and headlamp range control module, on the right glove compartment
- MX2 Right front headlamp
- T4ar 4-pin connector
- T14f 14-pin connector
- T26h 26-pin connector
- T52c 52-pin connector
- V49 Right headlamp beam adjustment motor
- V295 Right low beam headlamp reflector motor

- (B166) Connection 56a (in interior wiring harness)
- (B229) High bus connection (in interior wiring harness)
- (B230) Low bus connection (in interior wiring harness)
- (N5) Connection 4 (in headlamp range control wiring harness)
- (N6) Connection 5 (in headlamp range control wiring harness)
- (N7) Connection 6 (in headlamp range control wiring harness)

- ws = white
- sw = black
- ro = red
- rt = red
- br = brown
- gn = green
- bl = blue
- gr = grey
- li = lilac
- vi = lilac
- ge = yellow
- or = orange
- rs = pink

15K1-145050515



15K1-1450605151

Right HID headlamp control module, Vehicle electrical control module system, Right HID headlamp bulb, Right front fog lamp bulb, Right cornering lamp bulb, Right daytime running lamp and position lamp LED module, Right front turn signal bulb

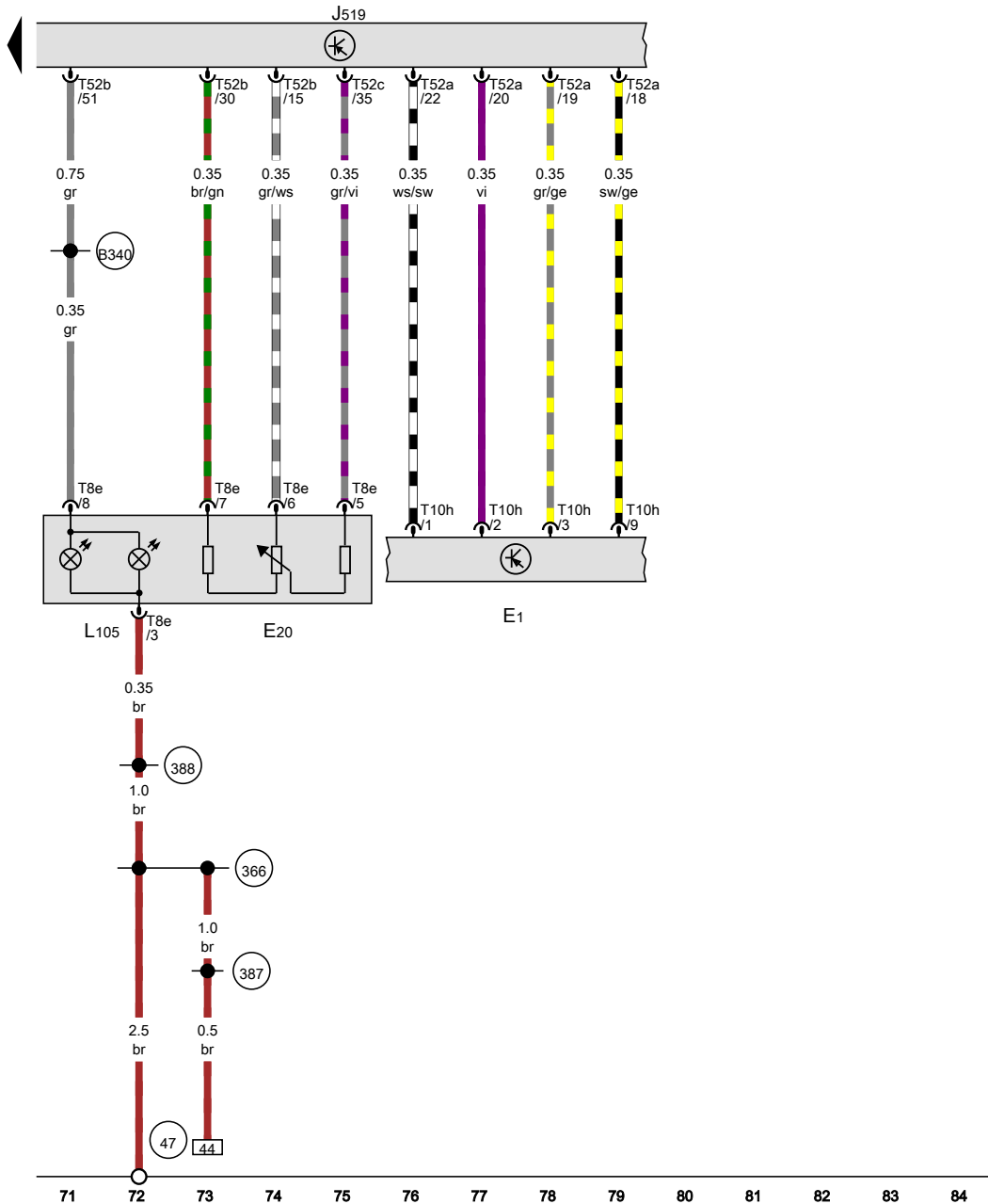
- J344 Right HID headlamp control module, on the right headlamp
- J519 Vehicle electrical control module system
- J861 Right daytime running lamp and position lamp control module, in the right headlamp
- L14 Right HID headlamp bulb
- L23 Right front fog lamp bulb
- L149 Right cornering lamp bulb
- L177 Right daytime running lamp and position lamp LED module
- MX2 Right front headlamp
- M7 Right front turn signal bulb
- T2bd Double connector
- T14f 14-pin connector
- T52a 52-pin connector
- T52c 52-pin connector

- 378 Ground connection 13 (in main wiring harness)
- 393 Ground connection 28 (in main wiring harness)
- 656 Ground connection on right headlamp
- A5 Right turn signal positive connection (in instrument panel wiring harness)
- B143 Positive connection (58R) (in interior wiring harness)
- B167 Connection 56b (in interior wiring harness)
- D59 Fog lamp connection (in engine compartment wiring harness)

- \* Only for vehicles with daytime running lamps
- \*2 Only for vehicles without rear fog lamps
- \*3 Only for vehicles with fog lamps
- \*4 Only for vehicles with fog lamps

- ws = white
- sw = black
- ro = red
- rt = red
- br = brown
- gn = green
- bl = blue
- gr = grey
- li = lilac
- vi = lilac
- ge = yellow
- or = orange
- rs = pink

Vehicle electrical control module system, Lighting control illumination bulb



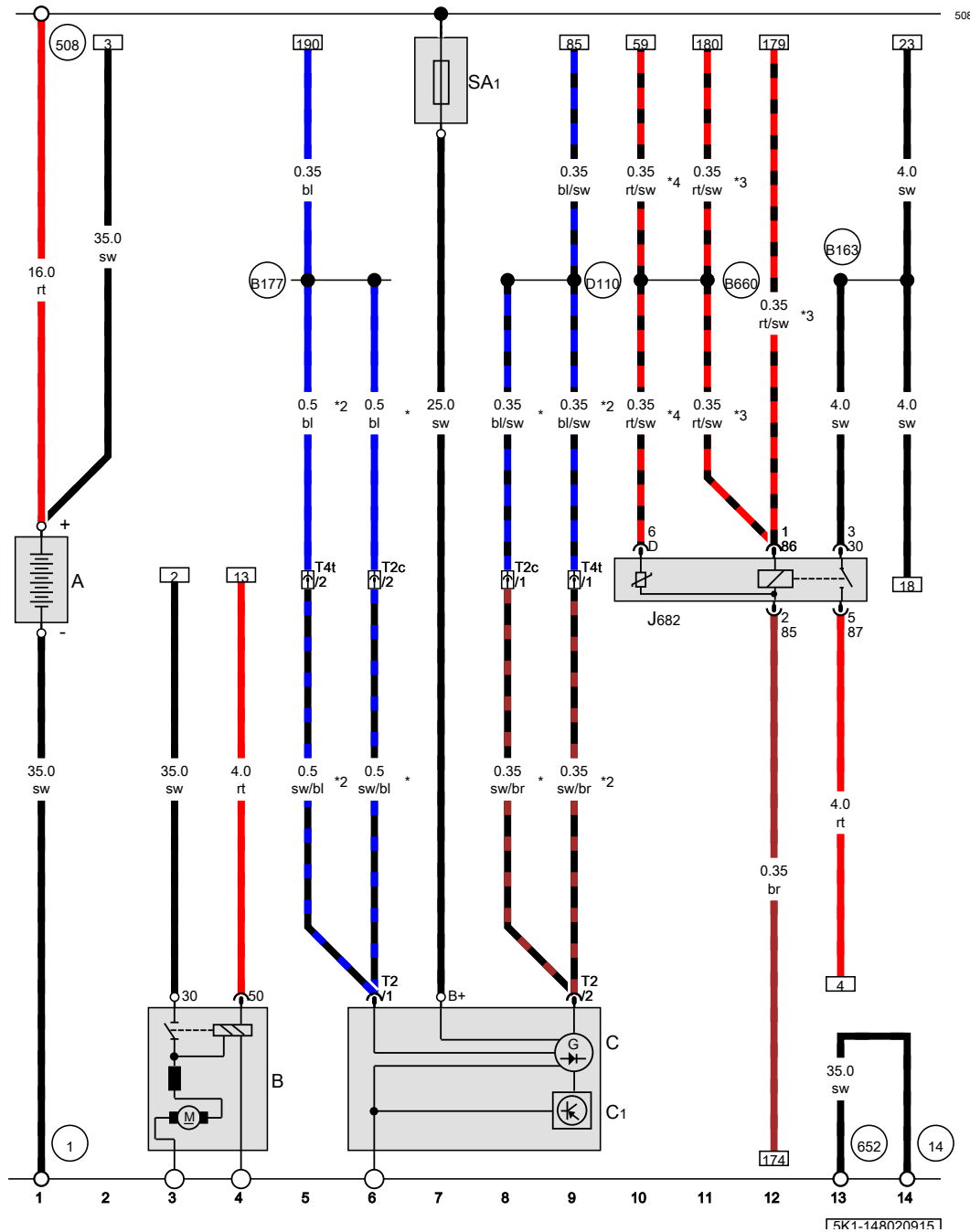
- E1 Light switch
- E20 Instrument panel and switch illumination dimmer switch
- J519 Vehicle electrical control module system
- L105 Lighting control illumination bulb
- T8e 8-pin connector
- T10h 10-pin connector
- T52a 52-pin connector
- T52b 52-pin connector
- T52c 52-pin connector

- 47 Ground connection in right front footwell
- 366 Ground connection 1 (in main wiring harness)
- 387 Ground connection 22 (in main wiring harness)
- 388 Ground connection 23 (in main wiring harness)
- B340 Connection 58d (in main wiring harness) 1

- ws = white
- sw = black
- ro = red
- rt = red
- br = brown
- gn = green
- bl = blue
- gr = grey
- li = lilac
- vi = lilac
- ge = yellow
- or = orange
- rs = pink

[5K1-145070515]

2.0L gasoline engine , CCTA  
from November 2009



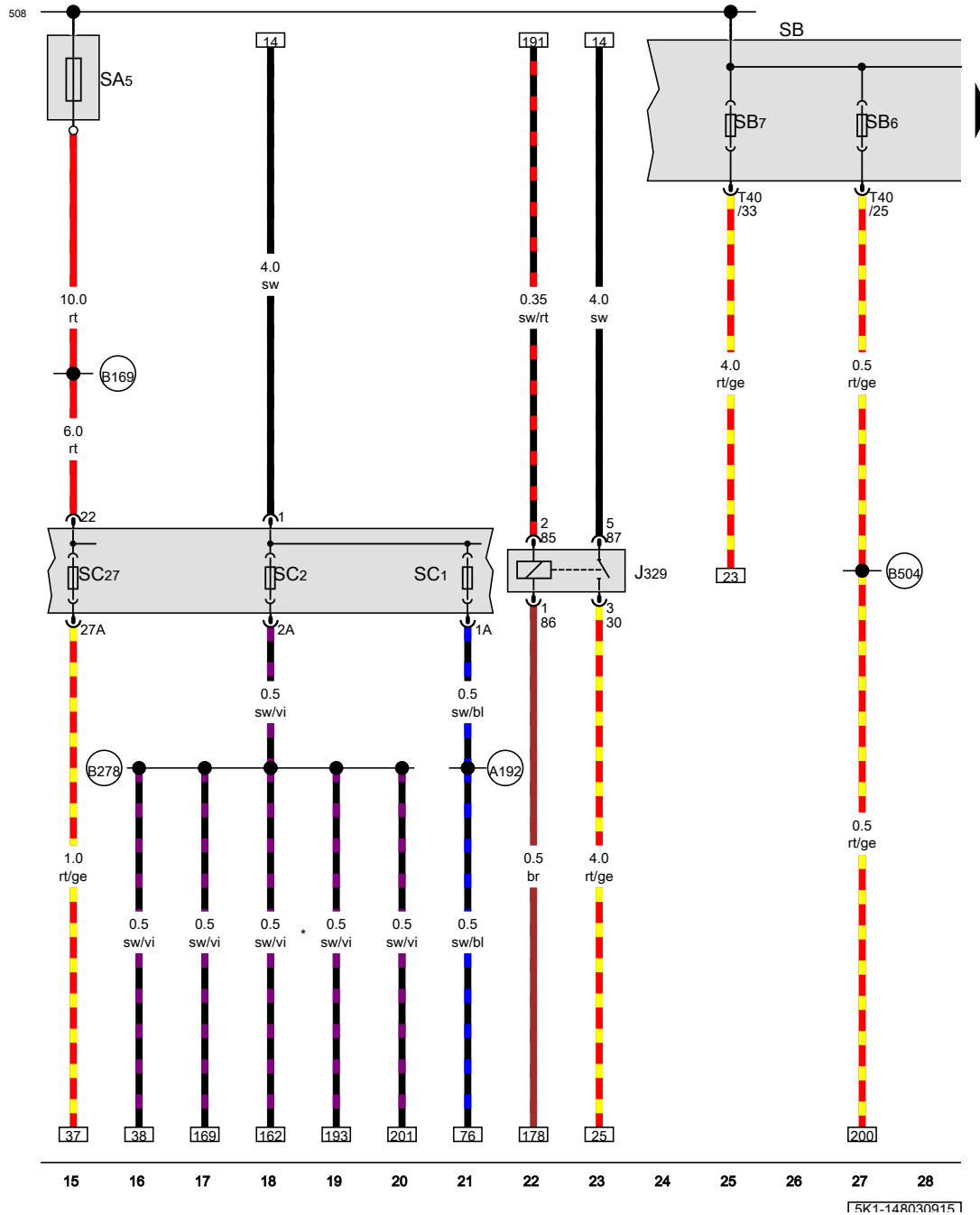
**Battery, Starter, Generator, Terminal 50 power supply relay, Fuse 1 (on fuse panel A)**

- A Battery
- B Starter
- C Generator
- C1 Voltage regulator
- J682 Terminal 50 power supply relay
- SA1 Fuse 1 (on fuse panel A)
- T2 2-pin connector
- T2c 2-pin connector, near the starter
- T4t 4-pin connector, near the starter

- 1 Ground strap, battery to body
- 14 Ground connection on transmission
- 508 Terminal 30 threaded connection (on E-box)
- 652 Transmission/engine ground connection
- B163 Positive connection 1 (15) (in interior wiring harness)
- B177 Connection 61 (in interior wiring harness)
- B660 Diagnostic terminal 50 connection (in main wiring harness)
- D110 Connection 8 (in engine compartment wiring harness)
- \* Only for vehicles without an A/C system
- \*2 Only for vehicles with A/C system
- \*3 Only for vehicles without access/start authorization system
- \*4 only for vehicles with access/start authorization system

- ws = white
- sw = black
- ro = red
- rt = red
- br = brown
- gn = green
- bl = blue
- gr = grey
- li = lilac
- vi = lilac
- ge = yellow
- or = orange
- rs = pink

15K1-1480209151



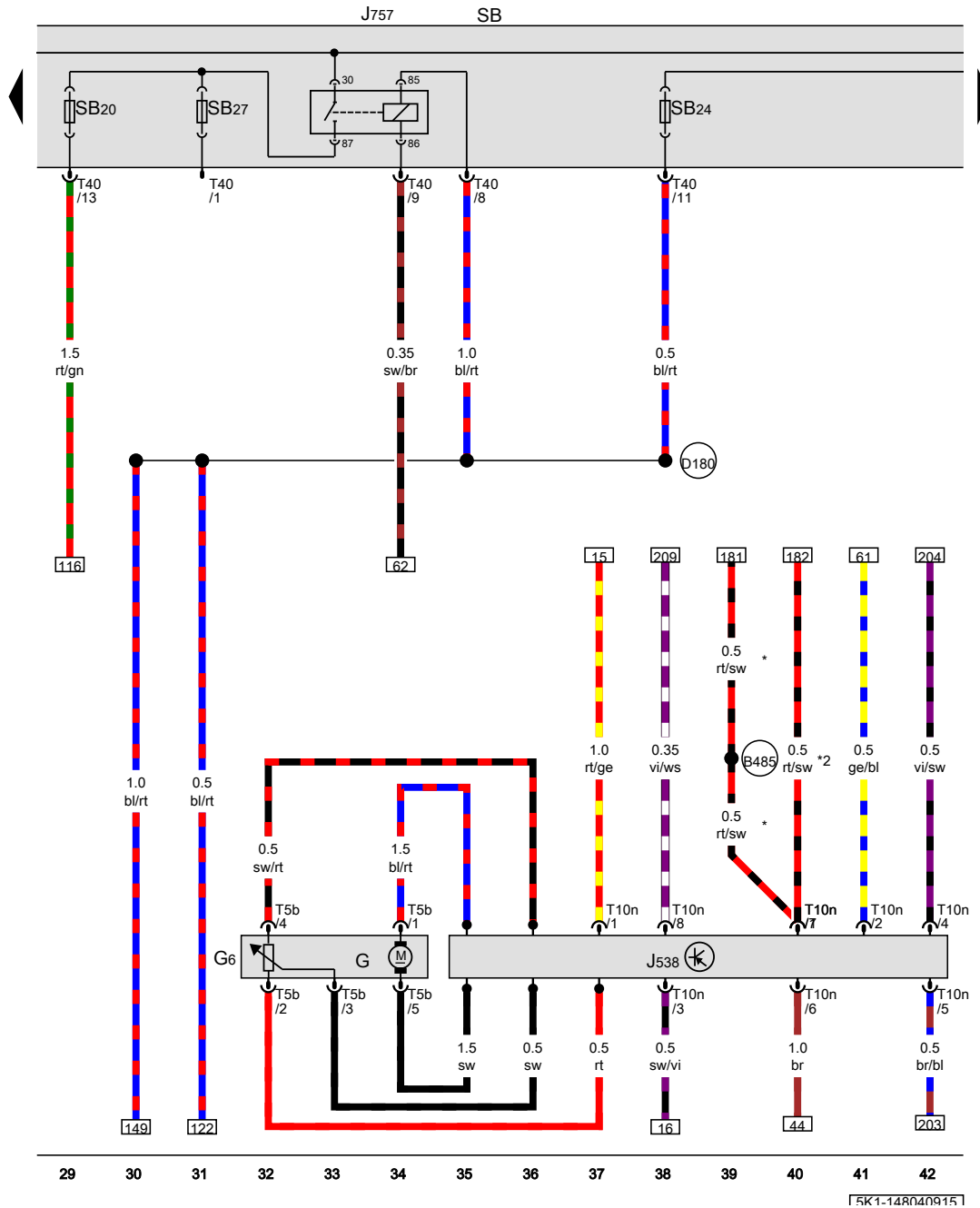
Terminal 15 power supply relay, Fuse 5 (on fuse panel A), Fuse panel B

- J329 Terminal 15 power supply relay
- SC1 Fuse 1 (on fuse panel C)
- SC2 Fuse 2 (on fuse panel C)
- SA5 Fuse 5 (on fuse panel A)
- SB Fuse panel B
- SB6 Fuse 6 (on fuse panel B)
- SB7 Fuse 7 (on fuse panel B)
- SC27 Fuse 27 (on fuse panel C)
- T40 40-pin connector

- 508 Terminal 30 threaded connection (on E-box)
- A192 Positive connection 3 (15a) (in instrument panel wiring harness)
- B169 Positive connection 1 (30) (in interior wiring harness)
- B278 Positive connection 2 (15a) (in main wiring harness)
- B504 Positive connection 8 (30a) (in interior wiring harness)
- \* Through November 2011

- ws = white
- sw = black
- ro = red
- rt = red
- br = brown
- gn = green
- bl = blue
- gr = grey
- li = lilac
- vi = lilac
- ge = yellow
- or = orange
- rs = pink

15K1-148030915



Fuel level sensor, Transfer fuel pump, Fuel pump control module, Engine component power supply relay, Fuse panel B

- G Fuel level sensor
- G6 Transfer fuel pump
- J538 Fuel pump control module
- J757 Engine component power supply relay
- SB Fuse panel B
- SB20 Fuse 20 (on fuse panel B)
- SB24 Fuse 24 (on fuse panel B)
- SB27 Fuse 27 (on fuse panel B)
- T5b 5-pin connector
- T10n 10-pin connector
- T40 40-pin connector

(B485) Connection 21 (in main wiring harness)

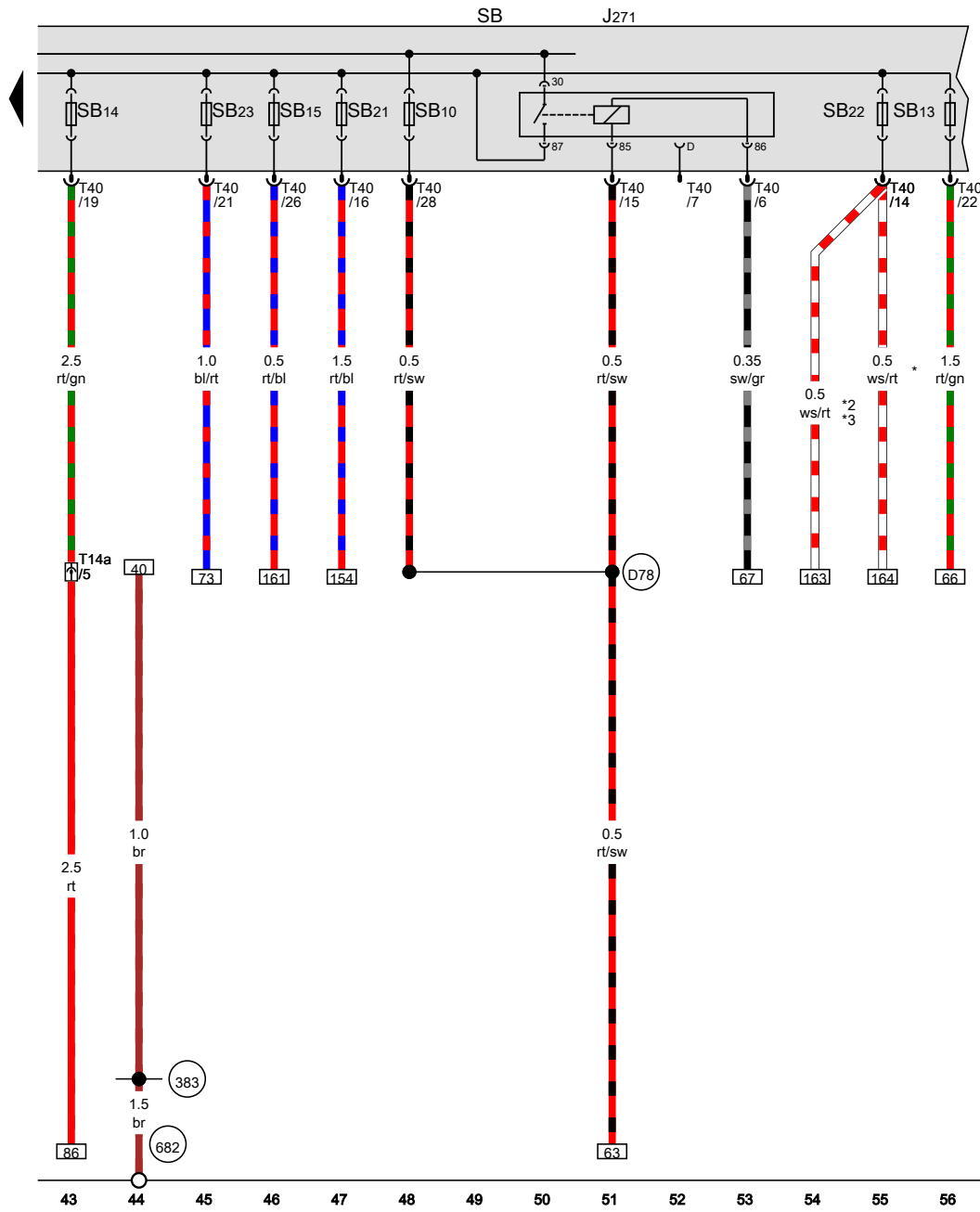
(D180) Connection 87a (in engine compartment wiring harness)

\* through April 2010

\*2 from May 2010

- ws = white
- sw = black
- ro = red
- rt = red
- br = brown
- gn = green
- bl = blue
- gr = grey
- li = lilac
- vi = lilac
- ge = yellow
- or = orange
- rs = pink

15K1-148040915



Motronic engine control module power supply relay, Fuse panel B

- J271 Motronic engine control module power supply relay
- SB Fuse panel B
- SB10 Fuse 10 (on fuse panel B)
- SB13 Fuse 13 (on fuse panel B)
- SB14 Fuse 14 (on fuse panel B)
- SB15 Fuse 15 (on fuse panel B)
- SB21 Fuse 21 (on fuse panel B)
- SB22 Fuse 22 (on fuse panel B)
- SB23 Fuse 23 (on fuse panel B)
- T14a 14-pin connector, near the battery
- T40 40-pin connector

- 383 Ground connection 18 (in main wiring harness)
- 682 Ground connection 2 in right rear side panel
- D78 Positive connection 1 (30a) (in engine compartment wiring harness)
- \* Only for vehicles with a manual transmission
- \*2 Only for vehicles with automatic transmission
- \*3 from November 2010

- ws = white
- sw = black
- ro = red
- rt = red
- br = brown
- gn = green
- bl = blue
- gr = grey
- li = lilac
- vi = lilac
- ge = yellow
- or = orange
- rs = pink

15K1-14R050915

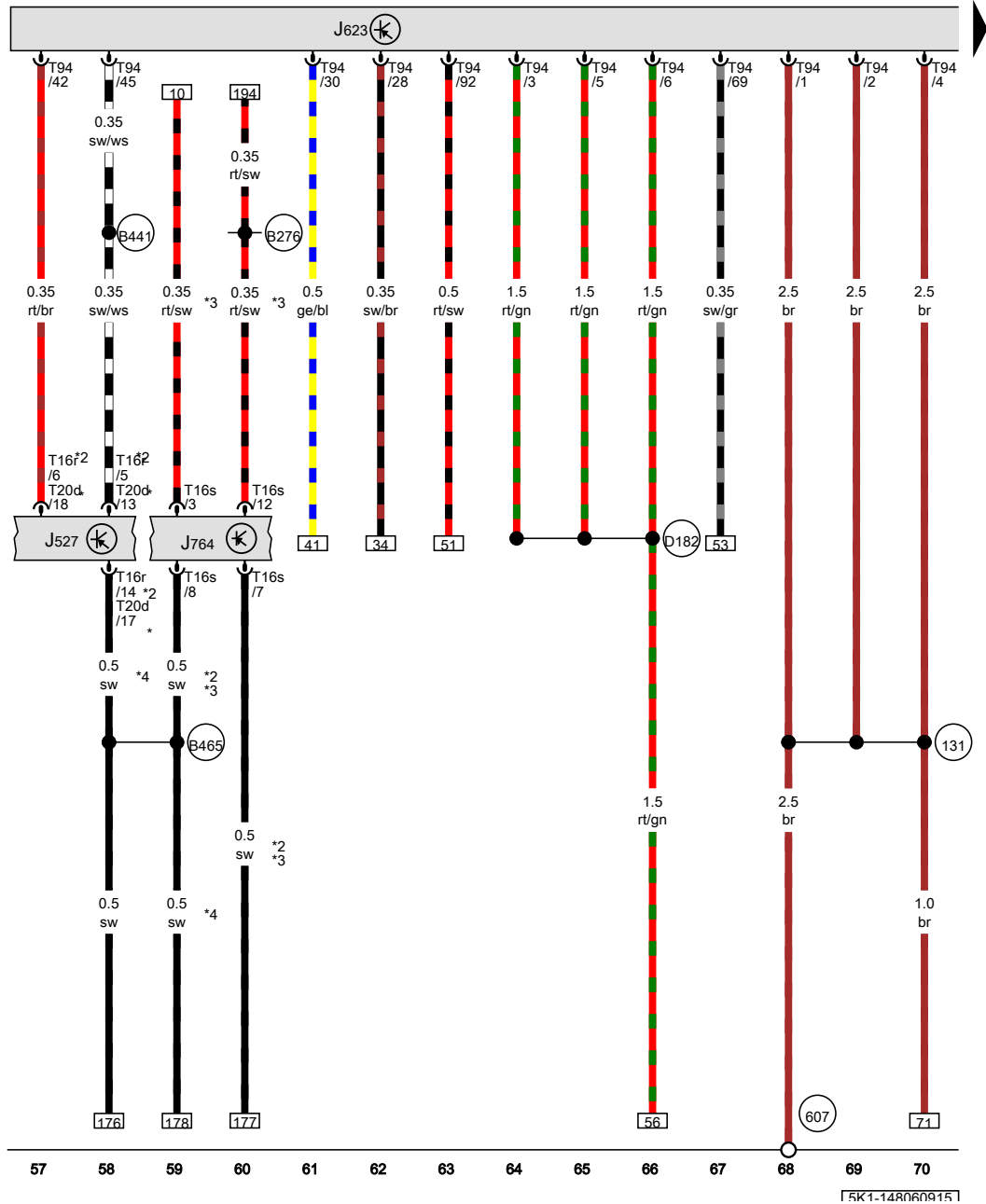


Steering column electronics control module, Engine control module

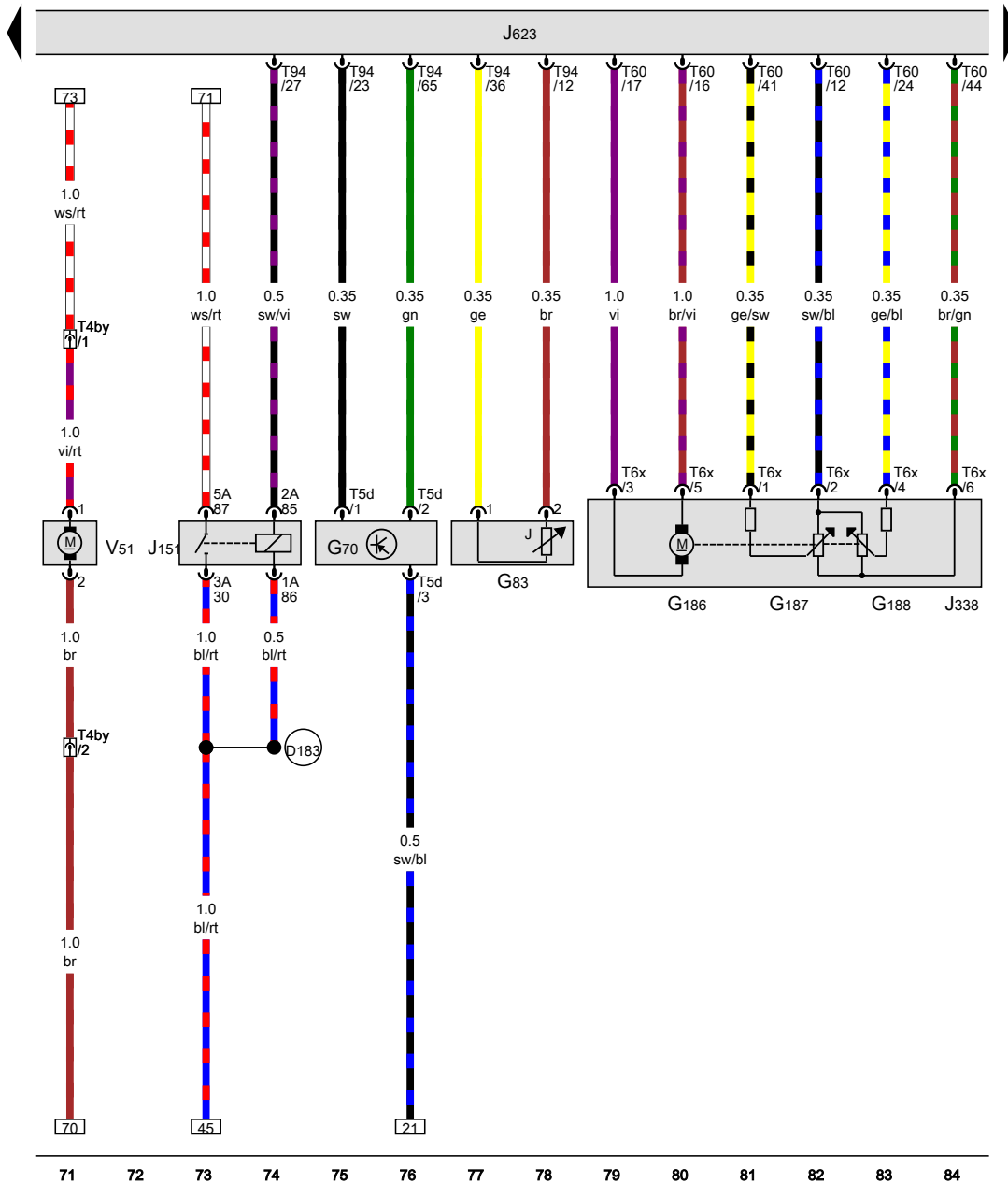
- J527 Steering column electronics control module
- J623 Engine control module, in the center plenum chamber
- J764 Electronic steering column lock control module
- T16r 16-pin connector
- T16s 16-pin connector
- T94 94-pin connector

- (131) Ground connection 2 (in engine compartment wiring harness)
- (607) Ground connection in plenum chamber, left
- (B276) Positive connection (50) (in main wiring harness)
- (B441) Cruise control connection (in main wiring harness)
- (B465) Connection 1 (in main wiring harness)
- (D182) Connection 3 (87a) (in engine compartment wiring harness)

- \* through April 2010
- \*2 from May 2010
- \*3 only for vehicles with access/start authorization system
- \*4 Only for vehicles without access/start authorization system



- ws = white
- sw = black
- ro = red
- rt = red
- br = brown
- gn = green
- bl = blue
- gr = grey
- li = lilac
- vi = lilac
- ge = yellow
- or = orange
- rs = pink

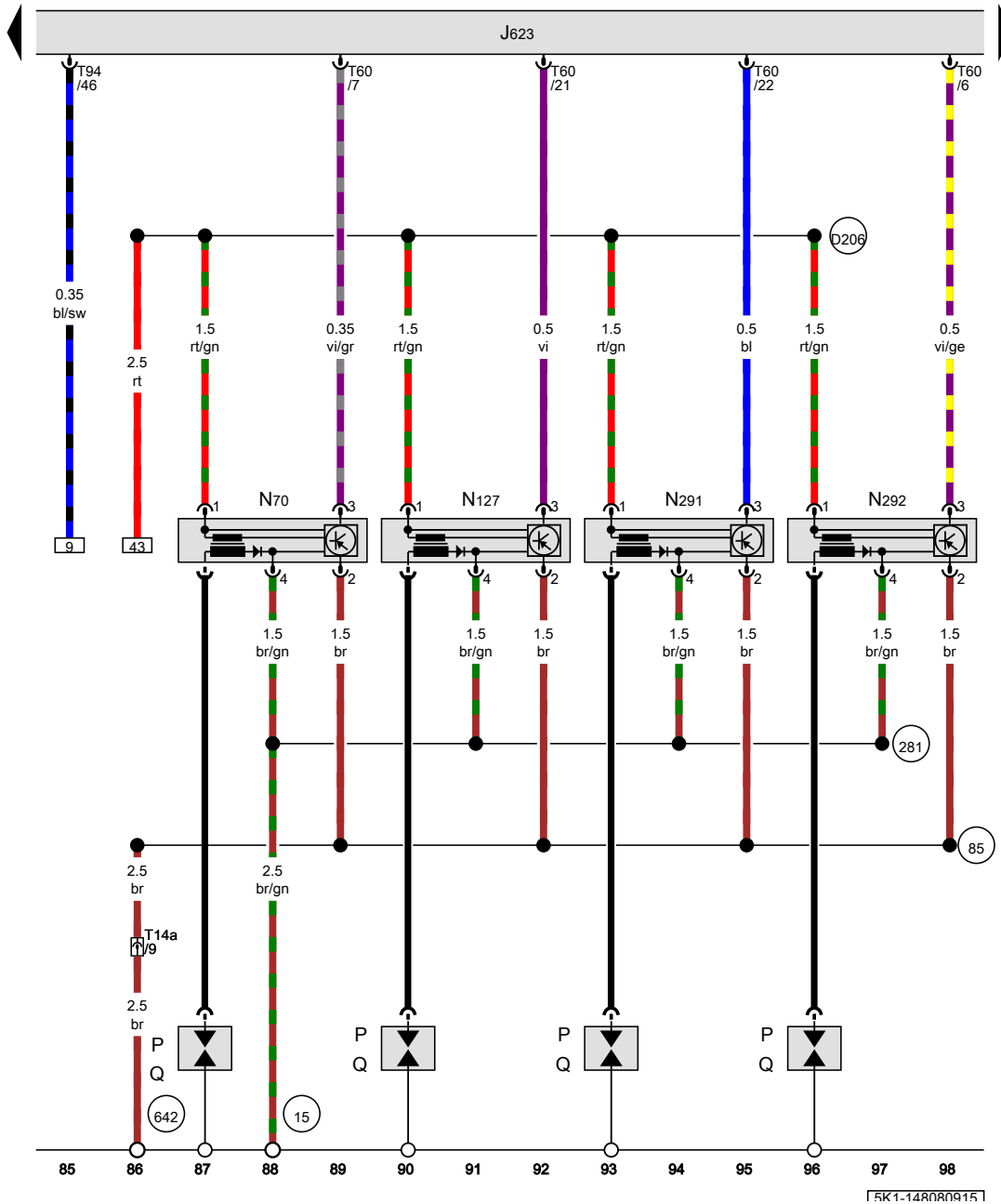


Mass airflow sensor, Engine coolant temperature sensor on radiator outlet, Coolant circulation pump relay, Throttle valve control module, Engine control module, After-run coolant pump

- G70 Mass airflow sensor
- G83 Engine coolant temperature sensor on radiator outlet
- G186 EPC throttle drive
- G187 EPC throttle drive angle sensor 1
- G188 EPC throttle drive angle sensor 2
- J151 Coolant circulation pump relay
- J338 Throttle valve control module
- J623 Engine control module, in the center plenum chamber
- T4by 4-pin connector, in the engine compartment, left
- T5d 5-pin connector
- T6x 6-pin connector
- T60 60-pin connector
- T94 94-pin connector
- V51 After-run coolant pump
- D183 Connection 4 (87a) (in engine compartment wiring harness)

- ws = white
- sw = black
- ro = red
- rt = red
- br = brown
- gn = green
- bl = blue
- gr = grey
- li = lilac
- vi = lilac
- ge = yellow
- or = orange
- rs = pink

15K1-14R070915



Engine control module, Ignition coil 1 with power output stage, Ignition coil 2 with power output stage, Ignition coil 3 with power output stage, Ignition coil 4 with power output stage, Spark plugs

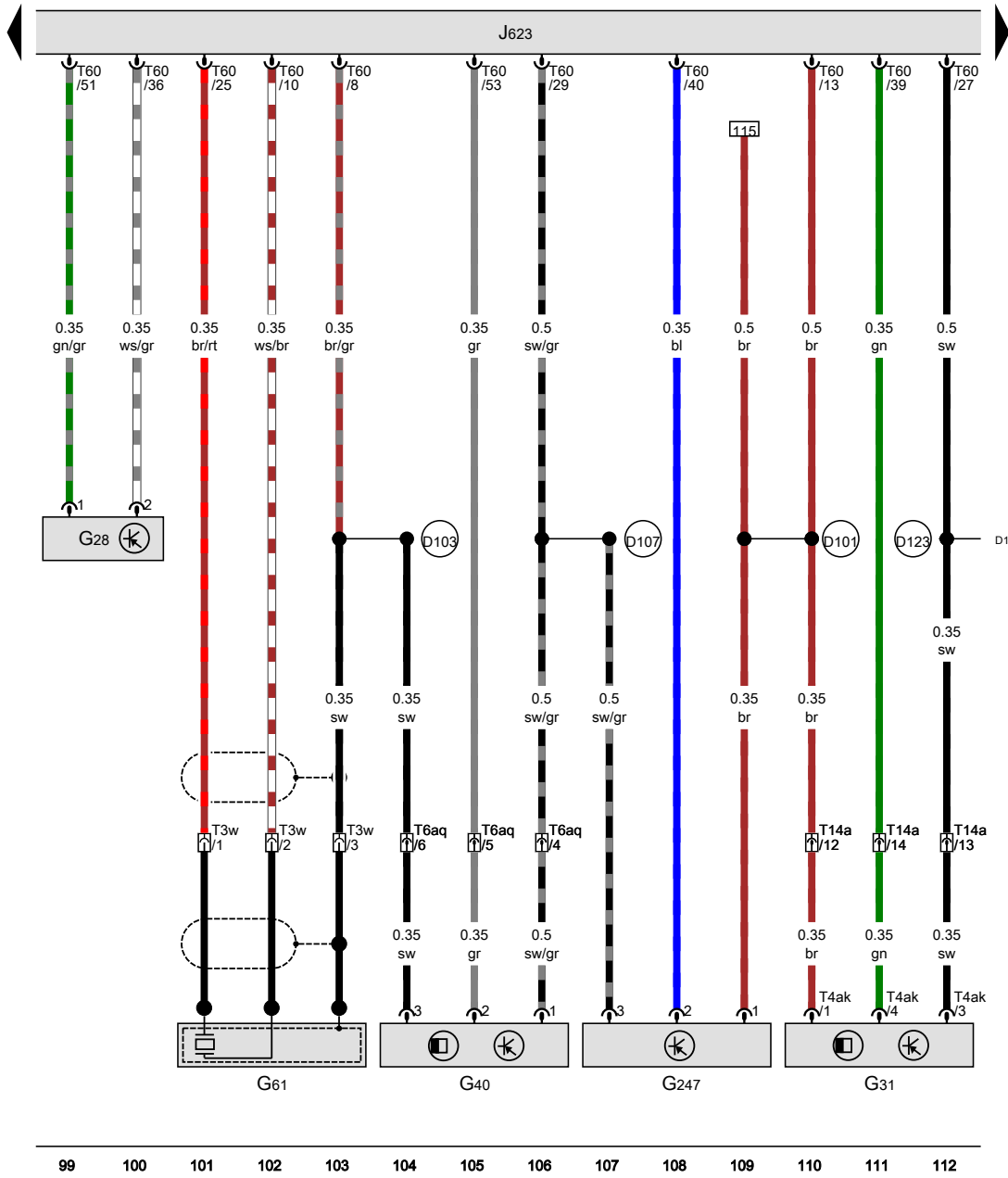
- J623 Engine control module, in the center plenum chamber
- N70 Ignition coil 1 with power output stage
- N127 Ignition coil 2 with power output stage
- N291 Ignition coil 3 with power output stage
- N292 Ignition coil 4 with power output stage
- P Spark plug connectors
- Q Spark plugs
- T14a 14-pin connector, near the battery
- T60 60-pin connector
- T94 94-pin connector

- 15 Ground connection on cylinder head
- 85 Ground connection 1 (in engine compartment wiring harness)
- 281 Ground connection 1 (in engine pre-wiring harness)
- 642 Electronic fan control ground connection
- D206 Connection 87a (in engine pre-wiring harness) 4

- ws = white
- sw = black
- ro = red
- rt = red
- br = brown
- gn = green
- bl = blue
- gr = grey
- li = lilac
- vi = lilac
- ge = yellow
- or = orange
- rs = pink

15K1-14R080915

Engine speed sensor, Charge air pressure sensor, Camshaft position sensor, Knock sensor 1, Fuel pressure sensor, Engine control module

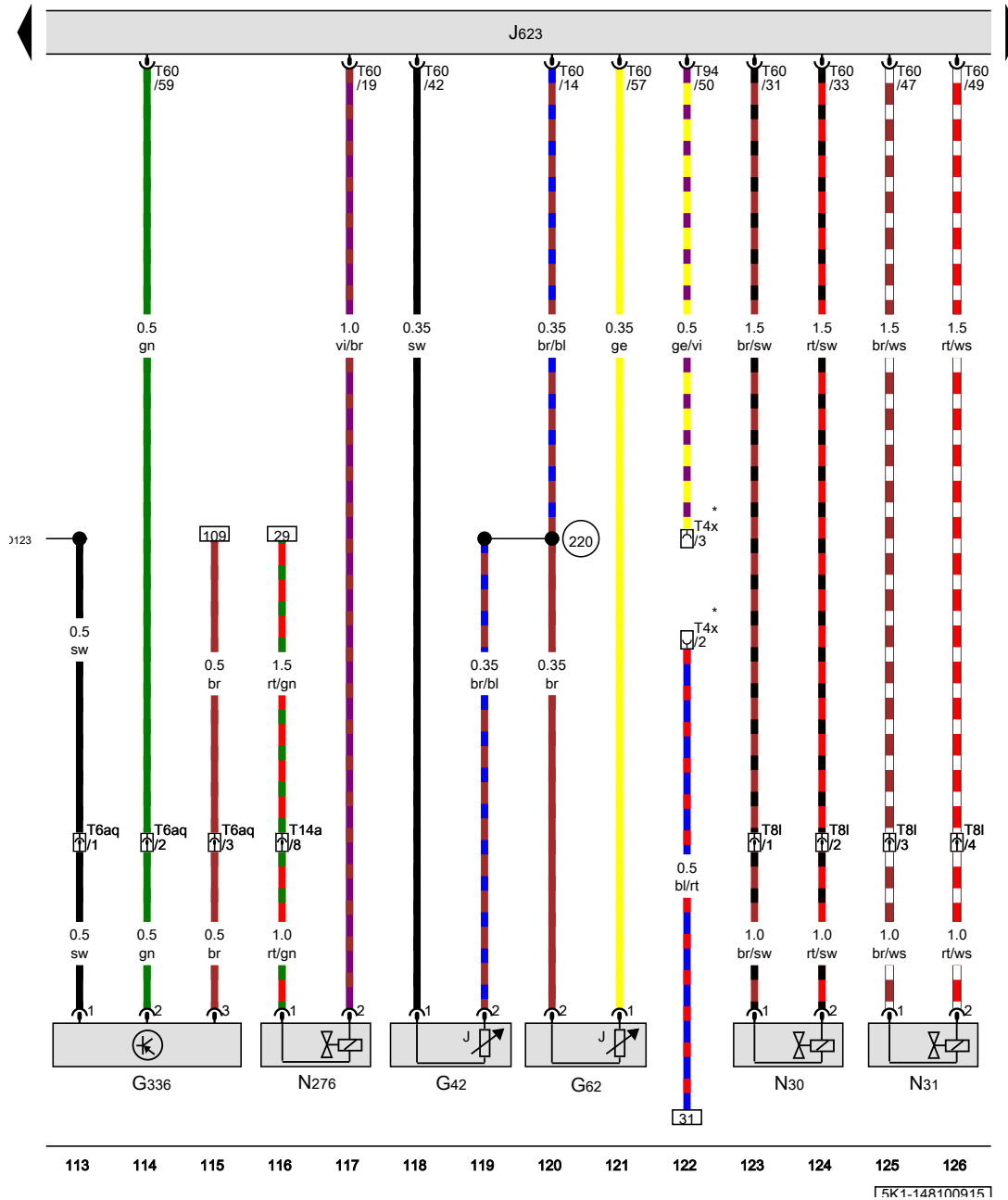


- G28 Engine speed sensor
- G31 Charge air pressure sensor
- G40 Camshaft position sensor
- G61 Knock sensor 1
- G247 Fuel pressure sensor
- J623 Engine control module, in the center plenum chamber
- T3w 3-pin connector, on the engine, front
- T4ak 4-pin connector
- T6aq 6-pin connector, on the engine, front
- T14a 14-pin connector, near the battery
- T60 60-pin connector
- D101 Connection 1 (in engine compartment wiring harness)
- D103 Connection 3 (in engine compartment wiring harness)
- D107 Connection 5 (in engine compartment wiring harness)
- D123 Connection 21 (in engine compartment wiring harness)

- ws = white
- sw = black
- ro = red
- rt = red
- br = brown
- gn = green
- bl = blue
- gr = grey
- li = lilac
- vi = lilac
- ge = yellow
- or = orange
- rs = pink

99 100 101 102 103 104 105 106 107 108 109 110 111 112

15K1-14R0909151

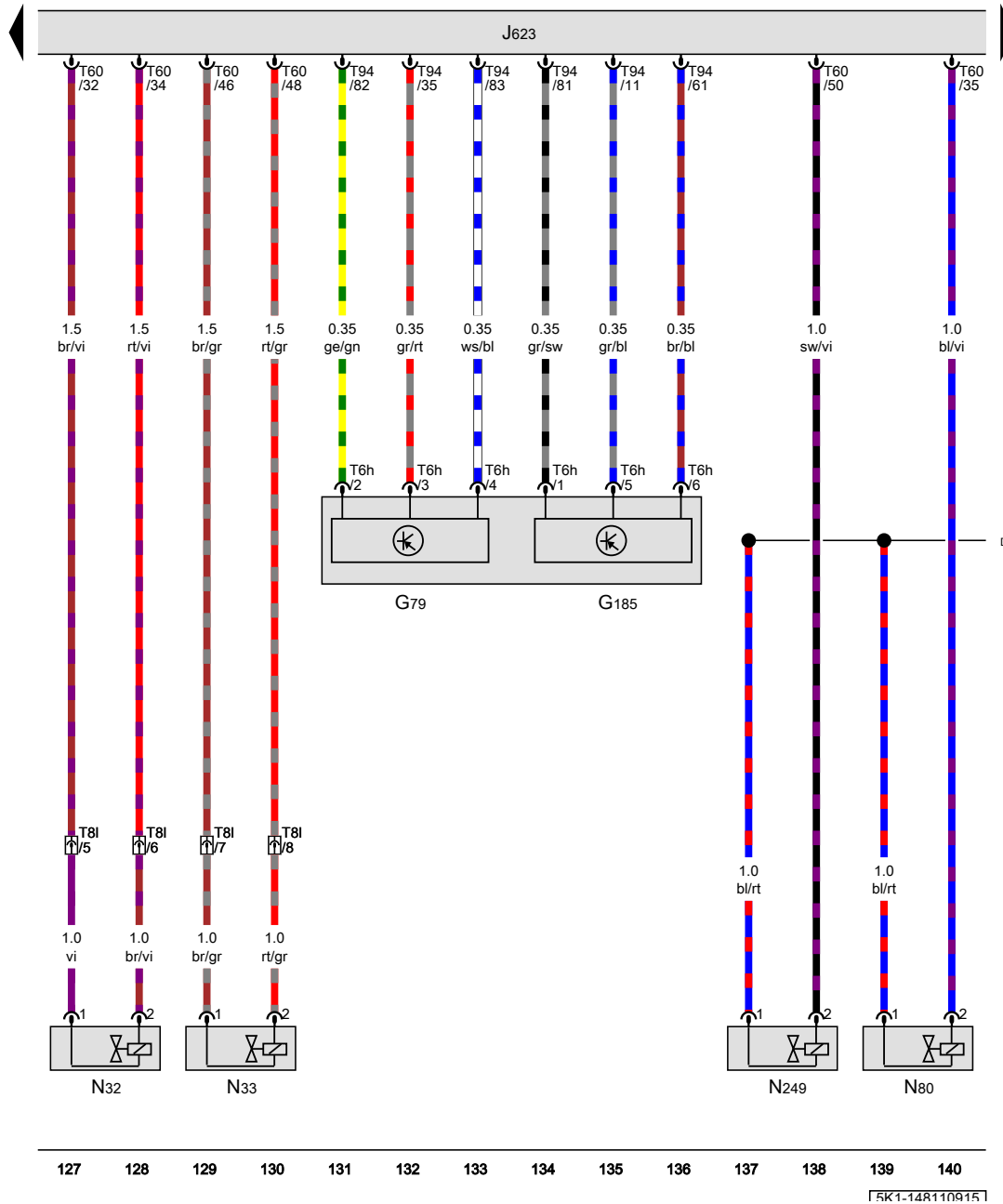


Intake air temperature sensor, Engine coolant temperature sensor, Intake manifold runner position sensor, Engine control module, Cylinder 1 fuel injector, Cylinder 2 fuel injector, Fuel pressure regulator valve

- G42 Intake air temperature sensor
- G62 Engine coolant temperature sensor
- G336 Intake manifold runner position sensor
- J623 Engine control module, in the center plenum chamber
- N30 Cylinder 1 fuel injector
- N31 Cylinder 2 fuel injector
- N276 Fuel pressure regulator valve
- T4x 4-pin connector
- T6aq 6-pin connector, on the engine, front
- T8I 8-pin connector, on the engine, front
- T14a 14-pin connector, near the battery
- T60 60-pin connector
- T94 94-pin connector

- 220 Sensor ground connection (in engine wiring harness)
- D123 Connection 21 (in engine compartment wiring harness)
- \* Radiator fan connection

- ws = white
- sw = black
- ro = red
- rt = red
- br = brown
- gn = green
- bl = blue
- gr = grey
- li = lilac
- vi = lilac
- ge = yellow
- or = orange
- rs = pink

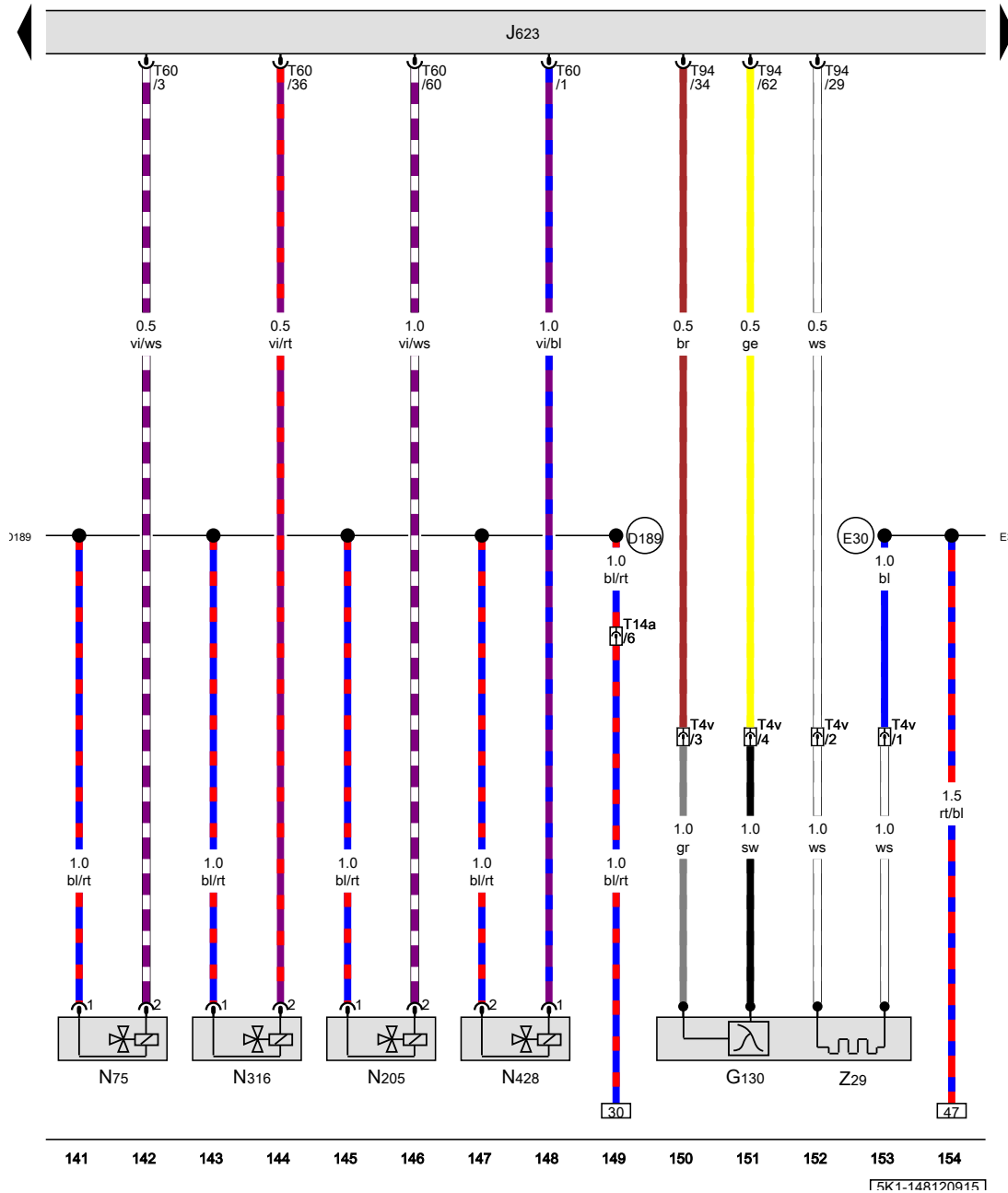


Accelerator pedal position sensor, Accelerator pedal position sensor 2, Engine control module, Cylinder 3 fuel injector, Cylinder 4 fuel injector, EVAP canister purge regulator valve 1, Turbocharger recirculation valve

- G79 Accelerator pedal position sensor
- G185 Accelerator pedal position sensor 2
- J623 Engine control module, in the center plenum chamber
- N32 Cylinder 3 fuel injector
- N33 Cylinder 4 fuel injector
- N80 EVAP canister purge regulator valve 1
- N249 Turbocharger recirculation valve
- T6h 6-pin connector
- T8l 8-pin connector, on the engine, front
- T60 60-pin connector
- T94 94-pin connector

D189 Connection 87a (in engine pre-wiring harness)

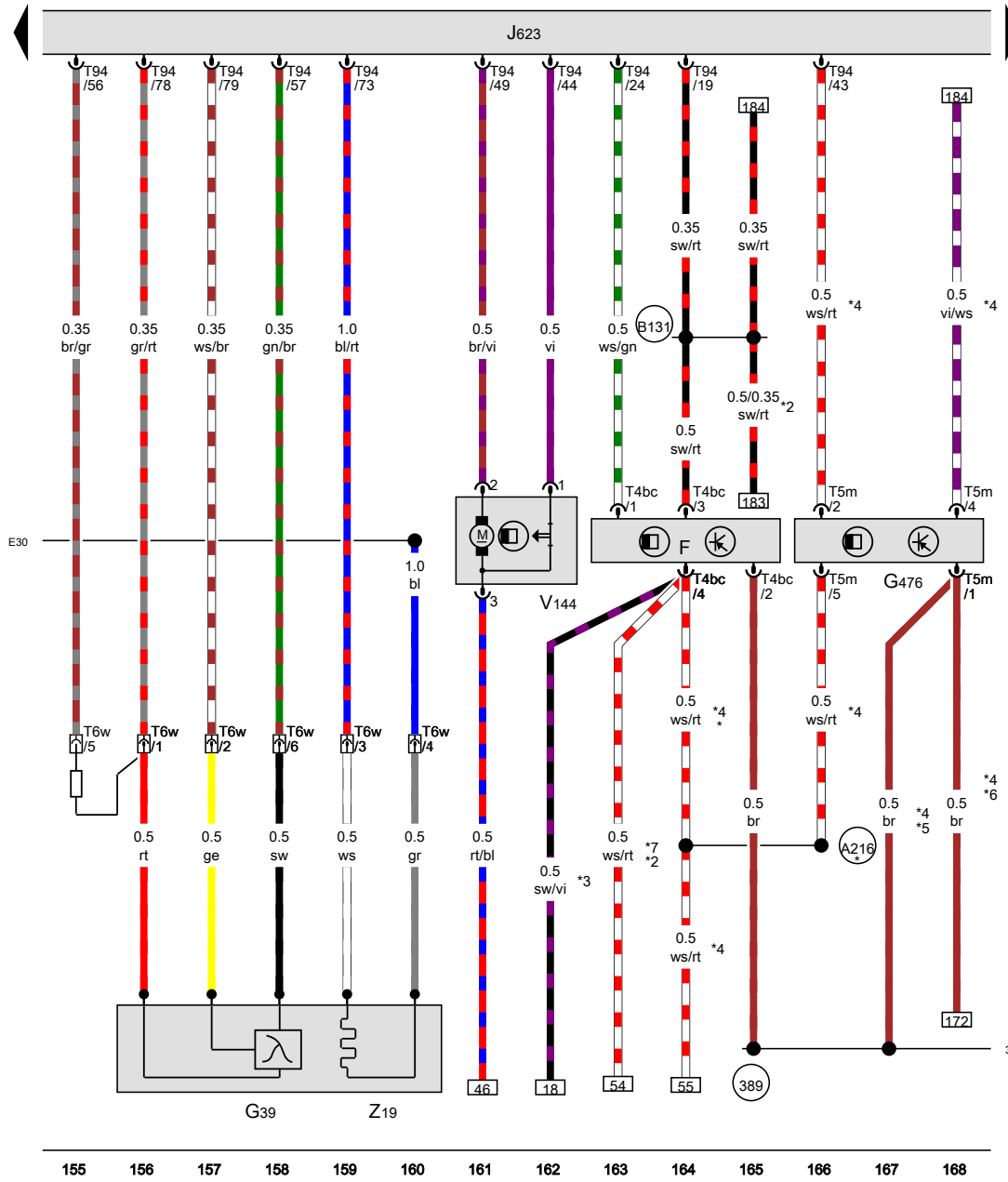
- ws = white
- sw = black
- ro = red
- rt = red
- br = brown
- gn = green
- bl = blue
- gr = grey
- li = lilac
- vi = lilac
- ge = yellow
- or = orange
- rs = pink



Oxygen sensor after catalytic converter, Engine control module, Wastegate bypass regulator valve, Camshaft adjustment valve 1, Intake manifold runner control valve, Oil pressure regulation valve

- G130 Oxygen sensor after catalytic converter
- J623 Engine control module, in the center plenum chamber
- N75 Wastegate bypass regulator valve
- N205 Camshaft adjustment valve 1
- N316 Intake manifold runner control valve
- N428 Oil pressure regulation valve
- T4v 4-pin connector, near the oxygen sensor
- T14a 14-pin connector, near the battery
- T60 60-pin connector
- T94 94-pin connector
- Z29 Heater for oxygen sensor 1 after catalytic converter
- D189 Connection 87a (in engine pre-wiring harness)
- E30 Connection 87a (in engine wiring harness)

Brake lamp switch, Heated oxygen sensor, Clutch position sensor, Engine control module, Leak detection pump



- F Brake lamp switch
- G39 Heated oxygen sensor
- G476 Clutch position sensor
- J623 Engine control module, in the center plenum chamber
- T4bc 4-pin connector
- T5m 5-pin connector
- T6w 6-pin connector, in the engine compartment, rear
- T94 94-pin connector
- V144 Leak detection pump
- Z19 Oxygen sensor heater

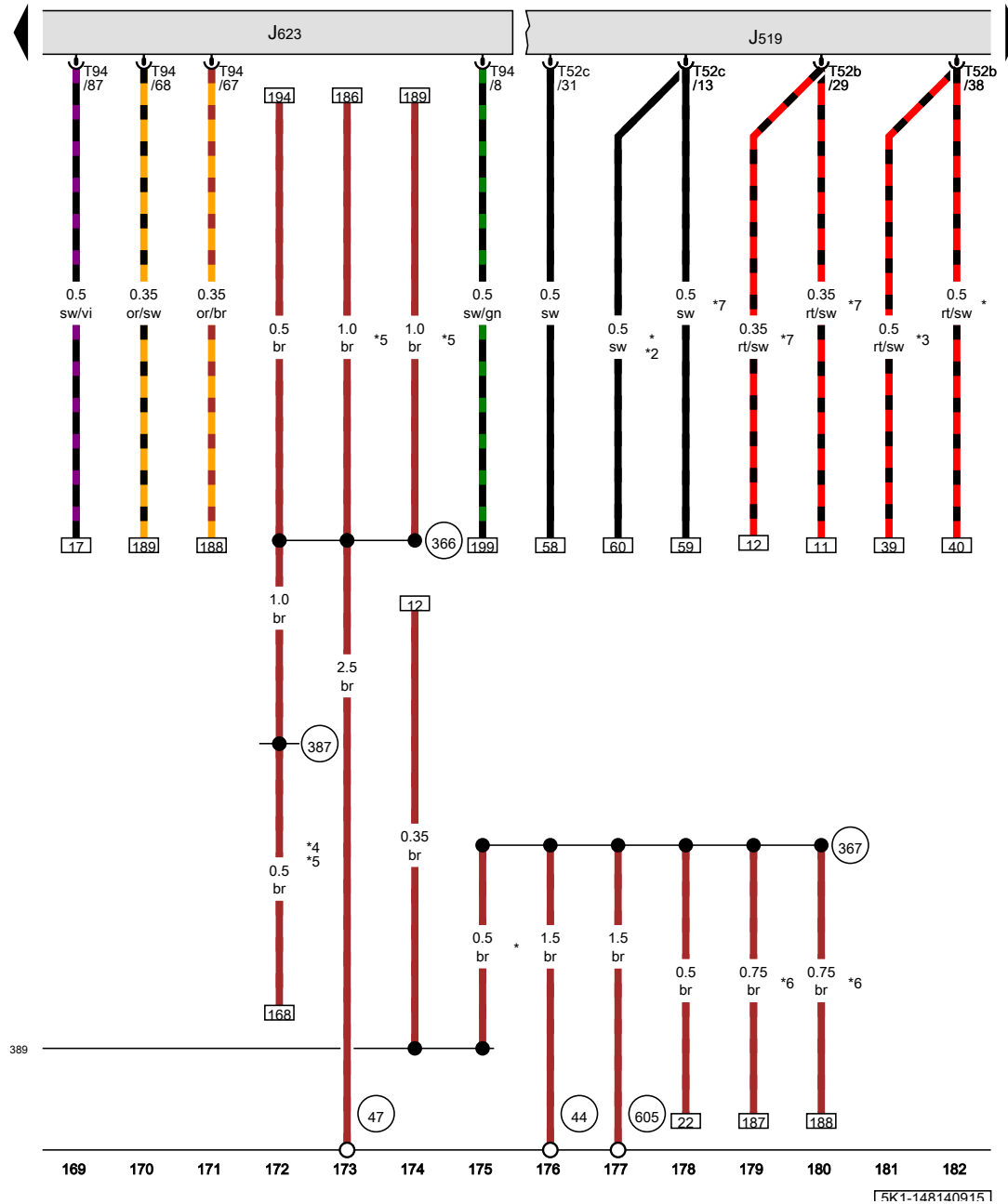
- 389 Ground connection 24 (in main wiring harness)
- A216 Positive connection 2 (87a) (in instrument panel wiring harness)
- B131 Connection 54 (in interior wiring harness)
- E30 Connection 87a (in engine wiring harness)

- \* from November 2011
- \*2 from November 2010
- \*3 Through November 2011
- \*4 Only for vehicles with a manual transmission
- \*5 Only for left-hand drive vehicles
- \*6 Only for right-hand drive vehicles
- \*7 Only for vehicles with automatic transmission

- ws = white
- sw = black
- ro = red
- rt = red
- br = brown
- gn = green
- bl = blue
- gr = grey
- li = lilac
- vi = lilac
- ge = yellow
- or = orange
- rs = pink



Vehicle electrical control module system, Engine control module

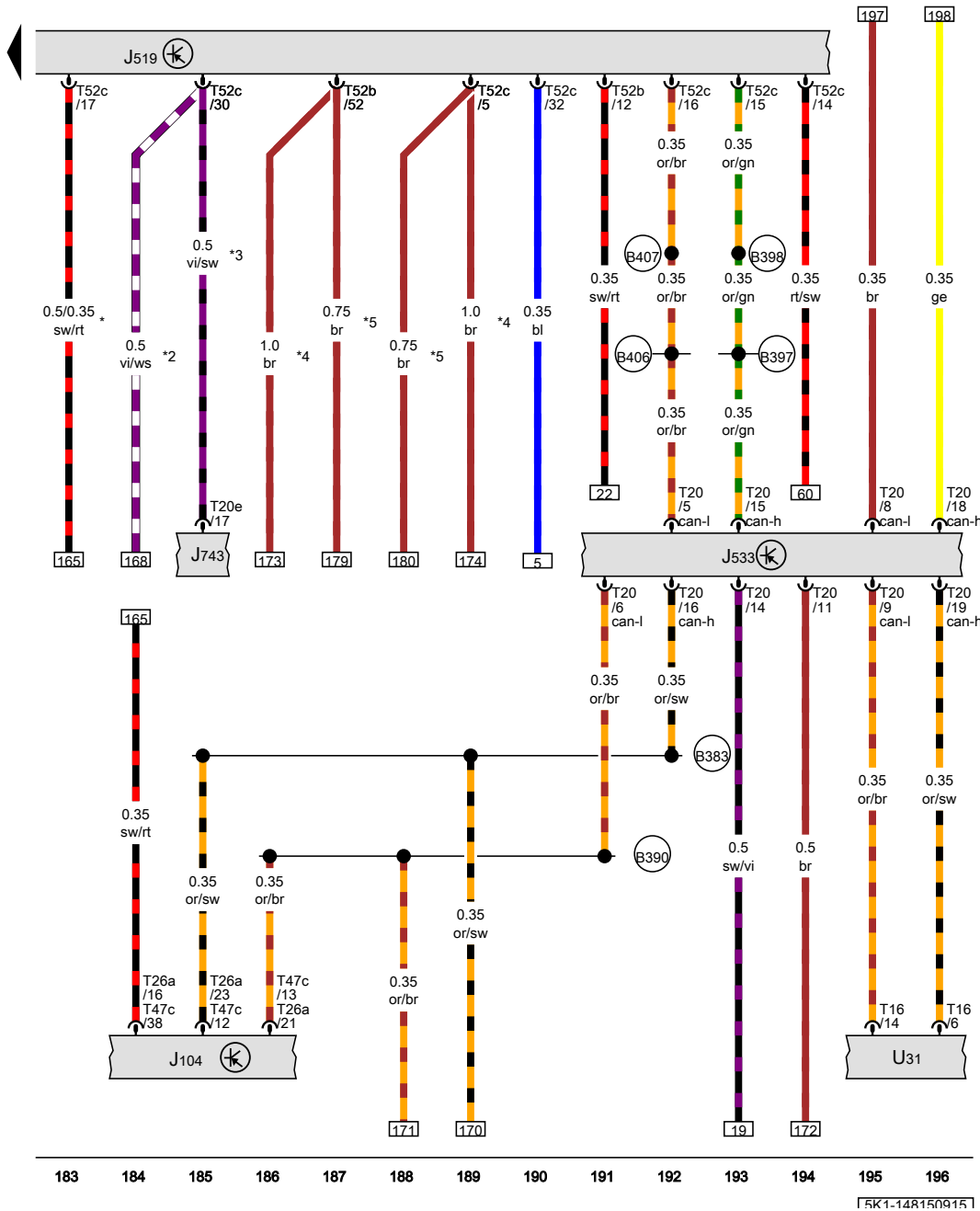


- J519 Vehicle electrical control module system
- J623 Engine control module, in the center plenum chamber
- T52b 52-pin connector
- T52c 52-pin connector
- T94 94-pin connector

- 44 Ground connection on A-pillar, lower left
  - 47 Ground connection in right front footwell
  - 366 Ground connection 1 (in main wiring harness)
  - 367 Ground connection 2 (in main wiring harness)
  - 387 Ground connection 22 (in main wiring harness)
  - 389 Ground connection 24 (in main wiring harness)
  - 605 Ground connection on upper steering column
- \* from May 2010  
 \*2 only for vehicles with access/start authorization system  
 \*3 through April 2010  
 \*4 Only for vehicles with a manual transmission  
 \*5 Only for right-hand drive vehicles  
 \*6 Only for left-hand drive vehicles  
 \*7 Only for vehicles without access/start authorization system

- ws = white
- sw = black
- ro = red
- rt = red
- br = brown
- gn = green
- bl = blue
- gr = grey
- li = lilac
- vi = lilac
- ge = yellow
- or = orange
- rs = pink

Vehicle electrical control module system, Data bus on board diagnostic interface



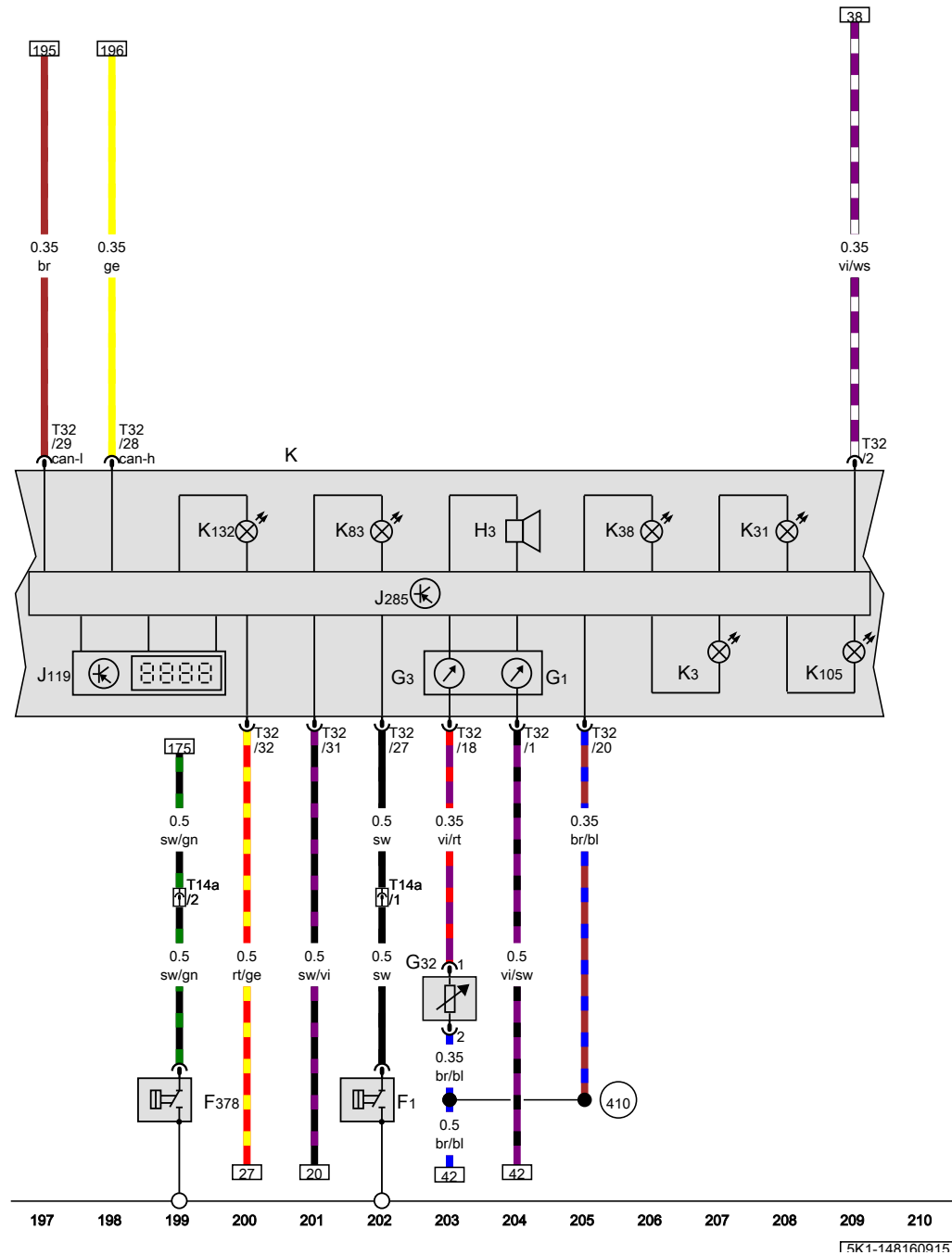
- J104 ABS control module
- J519 Vehicle electrical control module system
- J533 Data bus on board diagnostic interface, in the left footwell, near the center console
- J743 DSG transmission Mechatronic
- T16 16-pin connector
- T20 20-pin connector
- T20e 20-pin connector
- T26a 26-pin connector
- T47c 47-pin connector
- T52b 52-pin connector
- T52c 52-pin connector
- U31 Diagnostic connection

- (B383) Powertrain CAN bus high connection 1 (in main wiring harness)
- (B390) Powertrain CAN bus low connection 1 (in main wiring harness)
- (B397) Comfort system CAN bus high connection 1 (in main wiring harness)
- (B398) Comfort system CAN bus high connection 2 (in main wiring harness)
- (B406) Comfort system CAN bus low connection 1 (in main wiring harness)
- (B407) Comfort system CAN bus low connection 2 (in main wiring harness)

- \* from November 2010
- \*2 Only for vehicles with a manual transmission
- \*3 Only for vehicles with DSG transmission
- \*4 Only for right-hand drive vehicles
- \*5 Only for left-hand drive vehicles

- ws = white
- sw = black
- ro = red
- rt = red
- br = brown
- gn = green
- bl = blue
- gr = grey
- li = lilac
- vi = lilac
- ge = yellow
- or = orange
- rs = pink

15K1-14R150915



Oil pressure switch, Reduced oil pressure switch, Fuel gauge, Engine coolant temperature gauge, Engine coolant level sensor, Multifunction indicator, Instrument cluster control module, Malfunction indicator lamp, Electronic power control malfunction indicator lamp

- F1 Oil pressure switch
- F378 Reduced oil pressure switch
- G1 Fuel gauge
- G3 Engine coolant temperature gauge
- G32 Engine coolant level sensor
- H3 Warning buzzer and tone
- J119 Multifunction indicator
- J285 Instrument cluster control module
- K Instrument cluster
- K3 Oil pressure indicator lamp
- K31 Cruise control indicator lamp
- K38 Oil level indicator lamp
- K83 Malfunction indicator lamp
- K105 Low fuel level indicator lamp
- K132 Electronic power control malfunction indicator lamp
- T14a 14-pin connector, near the battery
- T32 32-pin connector

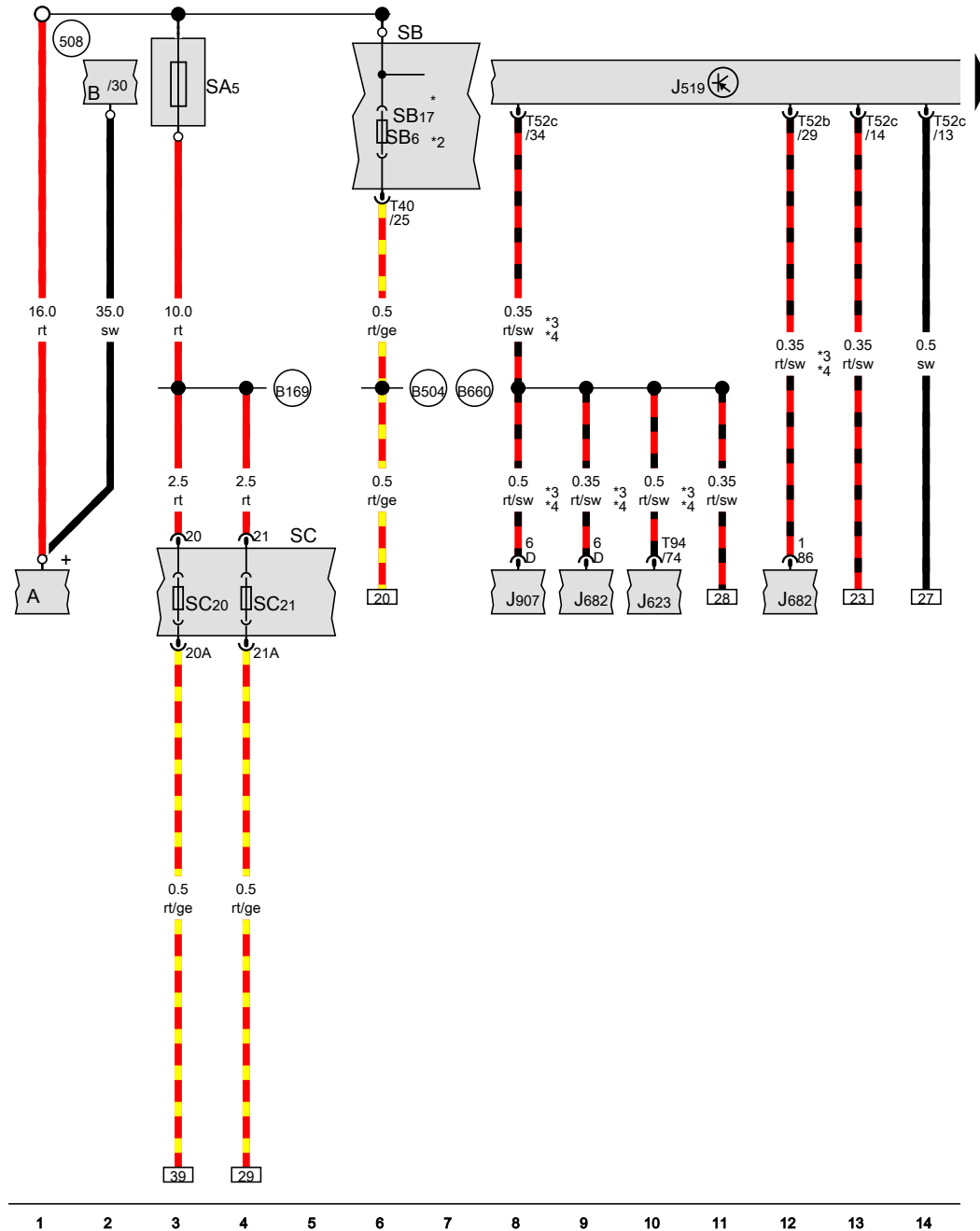
410 Sensor ground connection 1 (in main wiring harness)

- ws = white
- sw = black
- ro = red
- rt = red
- br = brown
- gn = green
- bl = blue
- gr = grey
- li = lilac
- vi = lilac
- ge = yellow
- or = orange
- rs = pink

15K1-14R160915

**Access/start authorization (USA and Canada)**

from May 2010



Vehicle electrical control module system, Fuse 5 (on fuse panel A), Fuse panel B, Fuse panel C

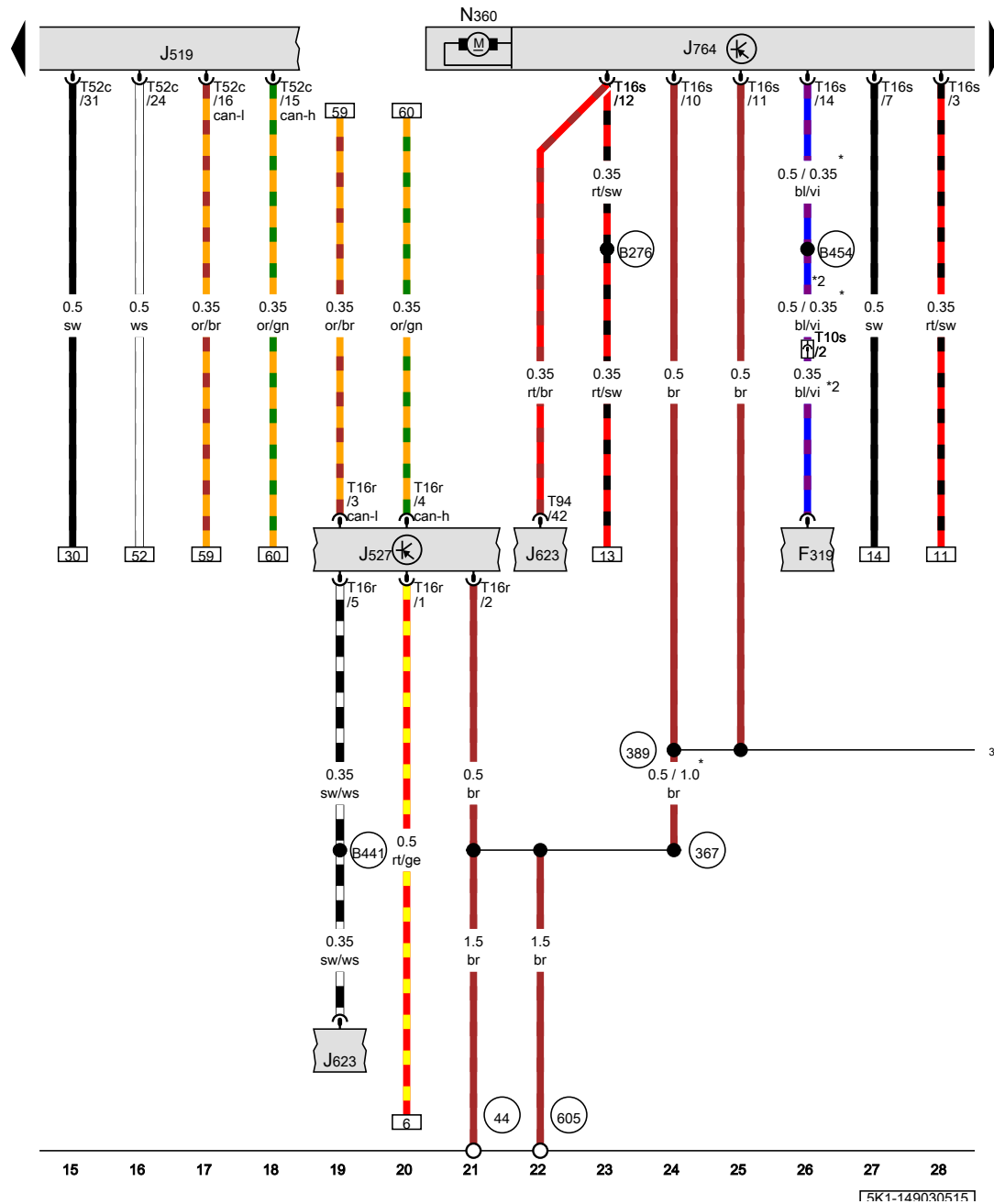
- A Battery
- B Starter
- J519 Vehicle electrical control module system
- J623 Engine control module
- J682 Terminal 50 power supply relay
- J907 Starter relay 2
- SA5 Fuse 5 (on fuse panel A)
- SB Fuse panel B
- SB6 Fuse 6 (on fuse panel B)
- SB17 Fuse 17 (on fuse panel B)
- SC Fuse panel C
- SC20 Fuse 20 (on fuse panel C)
- SC21 Fuse 21 (on fuse panel C)
- T40 40-pin connector
- T52b 52-pin connector
- T52c 52-pin connector
- T94 94-pin connector

- 508 Terminal 30 threaded connection (on E-box)
- B169 Positive connection 1 (30) (in interior wiring harness)
- B504 Positive connection 8 (30a) (in interior wiring harness)
- B660 Diagnostic terminal 50 connection (in main wiring harness)
- \* E-Box high
- \*2 E-Box low
- \*3 Depending on equipment
- \*4 Refer to applicable engine wiring diagram

- ws = white
- sw = black
- ro = red
- rt = red
- br = brown
- gn = green
- bl = blue
- gr = grey
- li = lilac
- vi = lilac
- ge = yellow
- or = orange
- rs = pink

Г5К1-149020515

Vehicle electrical control module system, Steering column electronics control module, Electronic steering column lock control module, Steering column lock actuator



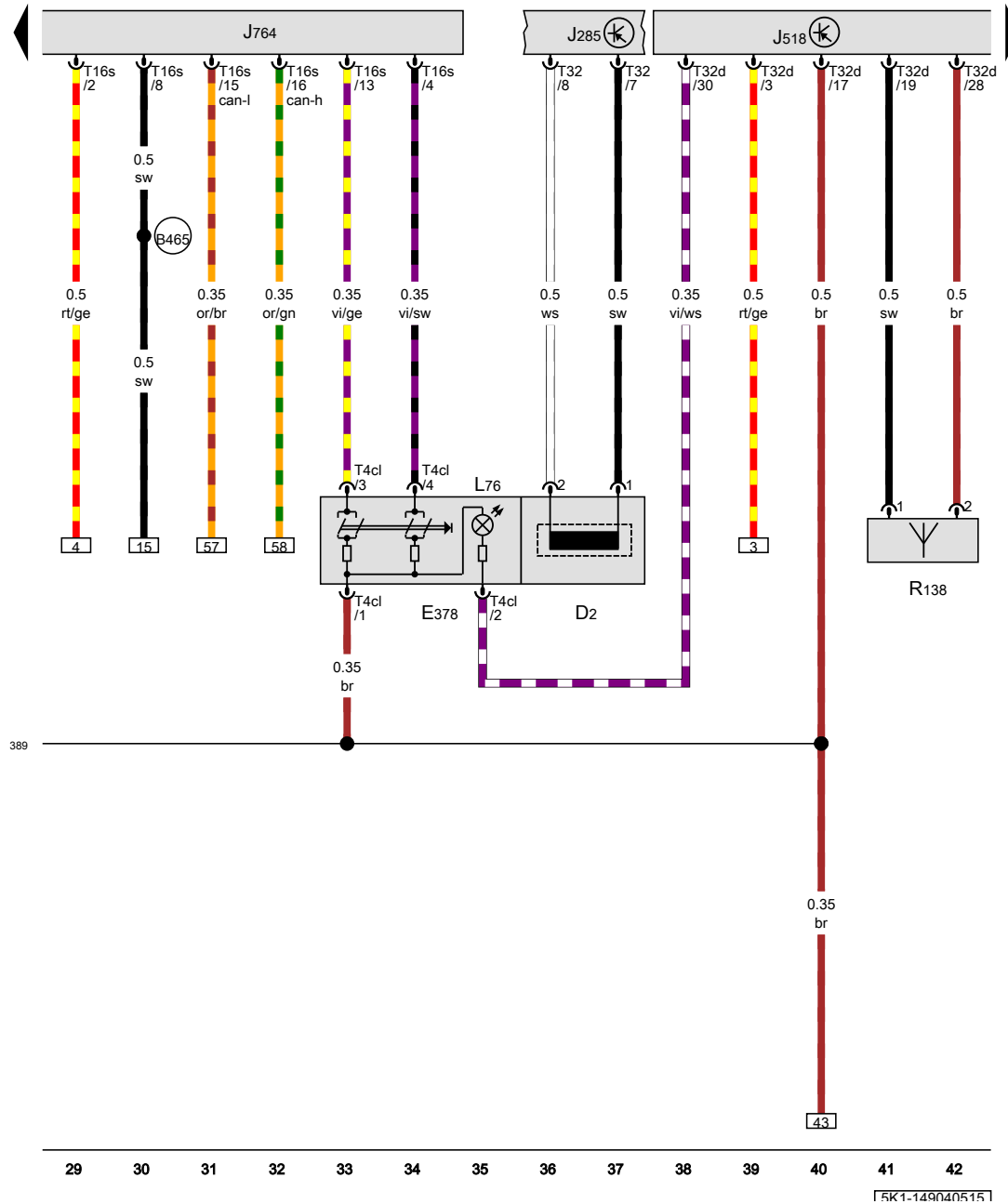
- F319 Selector lever park position lock switch
- J519 Vehicle electrical control module system
- J527 Steering column electronics control module
- J623 Engine control module
- J764 Electronic steering column lock control module
- N360 Steering column lock actuator
- T10s 10-pin connector, under the selector lever
- T16r 16-pin connector
- T16s 16-pin connector
- T52c 52-pin connector
- T94 94-pin connector

- 44 Ground connection on A-pillar, lower left
- 367 Ground connection 2 (in main wiring harness)
- 389 Ground connection 24 (in main wiring harness)
- 605 Ground connection on upper steering column
- B276 Positive connection (50) (in main wiring harness)
- B441 Cruise control connection (in main wiring harness)
- B454 Shift lock connection (in main wiring harness)

\* from May 2011  
 \*2 Only for vehicles with DSG transmission

- ws = white
- sw = black
- ro = red
- rt = red
- br = brown
- gn = green
- bl = blue
- gr = grey
- li = lilac
- vi = lilac
- ge = yellow
- or = orange
- rs = pink

15K1-149030515



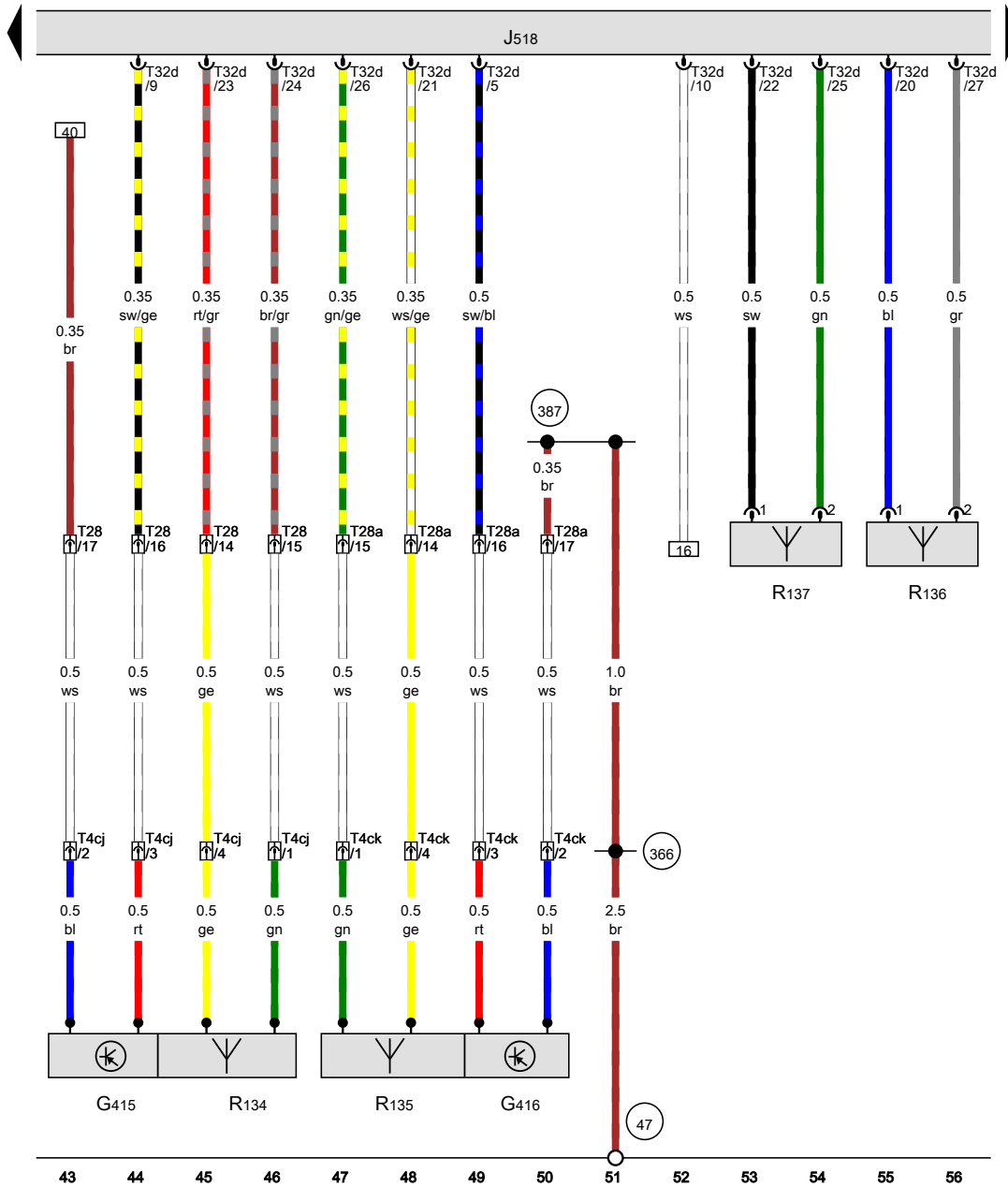
**Anti-theft immobilizer reader coil, Start system button, Access/start authorization control module, Electronic steering column lock control module, Access/start system antenna 1 in vehicle interior**

- D2 Anti-theft immobilizer reader coil
- E378 Start system button
- J285 Instrument cluster control module
- J518 Access/start authorization control module, in the left rear side panel, behind the instrument panel, left, under the instrument panel, center
- J764 Electronic steering column lock control module
- L76 Push button illumination bulb
- R138 Access/start system antenna 1 in vehicle interior
- T4cl 4-pin connector
- T16s 16-pin connector
- T32 32-pin connector
- T32d 32-pin connector

389 Ground connection 24 (in main wiring harness)

B465 Connection 1 (in main wiring harness)

- ws = white
- sw = black
- ro = red
- rt = red
- br = brown
- gn = green
- bl = blue
- gr = grey
- li = lilac
- vi = lilac
- ge = yellow
- or = orange
- rs = pink



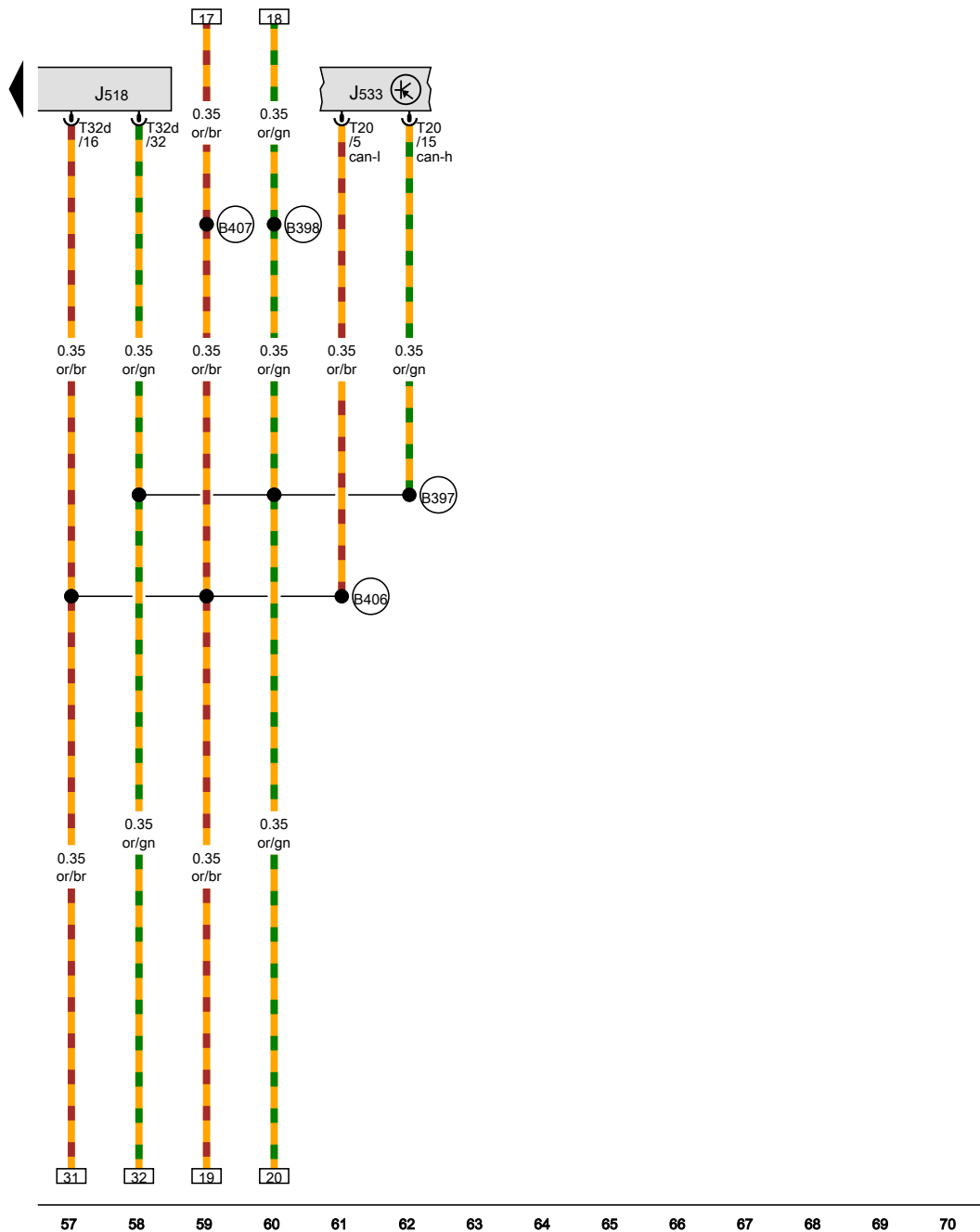
- ws = white
- sw = black
- ro = red
- rt = red
- br = brown
- gn = green
- bl = blue
- gr = grey
- li = lilac
- vi = lilac
- ge = yellow
- or = orange
- rs = pink

Driver exterior door handle touch sensor, Front passenger exterior door handle touch sensor, Access/start authorization control module, Driver access/start system antenna, Front passenger access/start system antenna, Access/start system antenna in rear bumper, Access/start system antenna in luggage compartment

- G415 Driver exterior door handle touch sensor
- G416 Front passenger exterior door handle touch sensor
- J518 Access/start authorization control module, in the left rear side panel, behind the instrument panel, left, under the instrument panel, center
- R134 Driver access/start system antenna
- R135 Front passenger access/start system antenna
- R136 Access/start system antenna in rear bumper
- R137 Access/start system antenna in luggage compartment
- T4cj 4-pin connector
- T4ck 4-pin connector
- T28 28-pin connector, in the left A-pillar connector station
- T28a 28-pin connector, in the connector station, right A-pillar
- T32d 32-pin connector

- 47 Ground connection in right front footwell
- 366 Ground connection 1 (in main wiring harness)
- 387 Ground connection 22 (in main wiring harness)





**Access/start authorization control module, Data bus on board diagnostic interface**

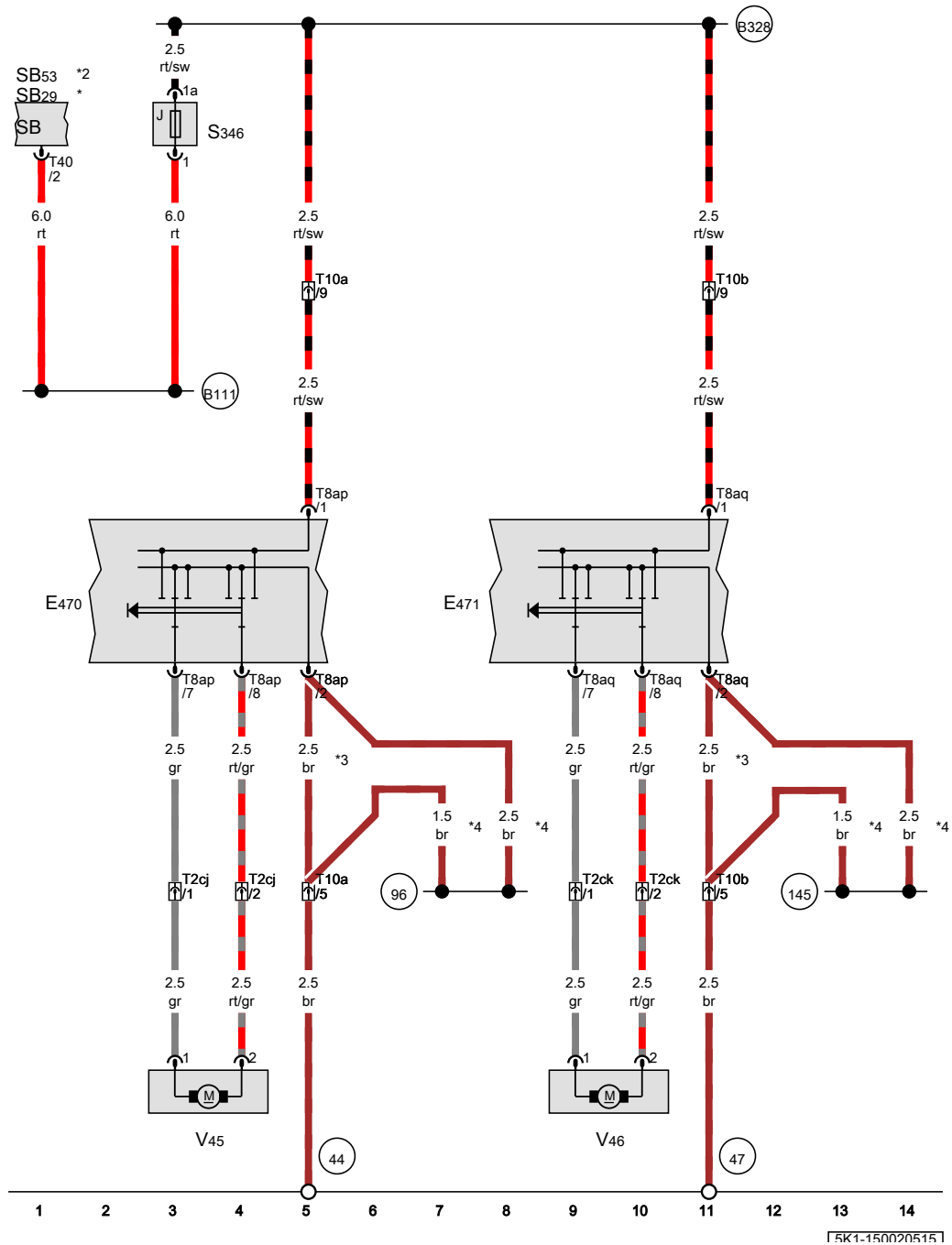
- J518 Access/start authorization control module, in the left rear side panel, behind the instrument panel, left, under the instrument panel, center
- J533 Data bus on board diagnostic interface, in the left footwell, near the center console
- T20 20-pin connector
- T32d 32-pin connector
- B397 Comfort system CAN bus high connection 1 (in main wiring harness)
- B398 Comfort system CAN bus high connection 2 (in main wiring harness)
- B406 Comfort system CAN bus low connection 1 (in main wiring harness)
- B407 Comfort system CAN bus low connection 2 (in main wiring harness)

- ws = white
- sw = black
- ro = red
- rt = red
- br = brown
- gn = green
- bl = blue
- gr = grey
- li = lilac
- vi = lilac
- ge = yellow
- or = orange
- rs = pink

15K1-149060515

**Seat backrest adjustment (NAR)**

from August 2010



Driver seat adjustment control head, Front passenger seat adjustment control head, Driver and front passenger seat circuit breaker, Driver backrest adjustment motor, Front passenger backrest adjustment motor

- E470 Driver seat adjustment control head
- E471 Front passenger seat adjustment control head
- SB Fuse panel B
- SB29 Fuse 29 (on fuse panel B)
- SB53 Fuse 53 (on fuse panel B)
- S346 Driver and front passenger seat circuit breaker
- T2cj Double connector, under the driver seat
- T2ck Double connector, under the front passenger seat
- T8ap 8-pin connector
- T8aq 8-pin connector
- T10a 10-pin connector, under the driver seat
- T10b 10-pin connector, under the front passenger seat
- T40 40-pin connector
- V45 Driver backrest adjustment motor
- V46 Front passenger backrest adjustment motor
- 44 Ground connection on A-pillar, lower left
- 47 Ground connection in right front footwell
- 96 Ground connection 1 (in heated seats wiring harness)
- 145 Ground connection 3 (in heated seats wiring harness)
- B111 Positive connection 1 (30a) (in interior wiring harness)
- B328 Positive connection 14 (30a) (in main wiring harness)

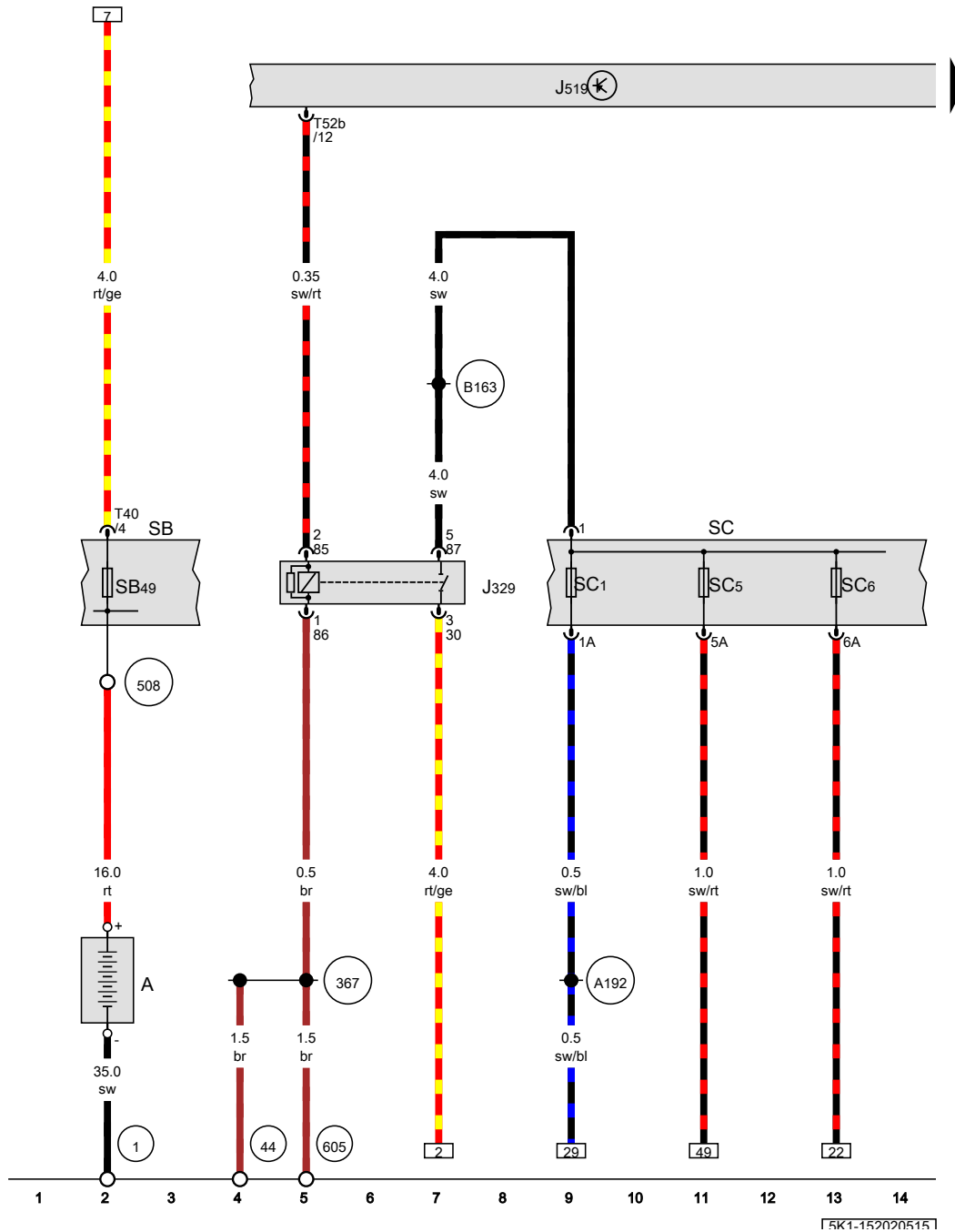
- \* E-Box low
- \*2 E-Box high
- \*3 Only for vehicles without heated seats
- \*4 Only for vehicles with an auxiliary heater

- ws = white
- sw = black
- ro = red
- rt = red
- br = brown
- gn = green
- bl = blue
- gr = grey
- li = lilac
- vi = lilac
- ge = yellow
- or = orange
- rs = pink

15K1-1500205151

**Headlamps Bixenon HID with range control, cornering lamp, LED daytime running lamps , (A9R)**

from November 2009



**Battery, Terminal 15 power supply relay, Vehicle electrical control module system, Fuse panel B, Fuse panel C, Fuse 1 (on fuse panel C)**

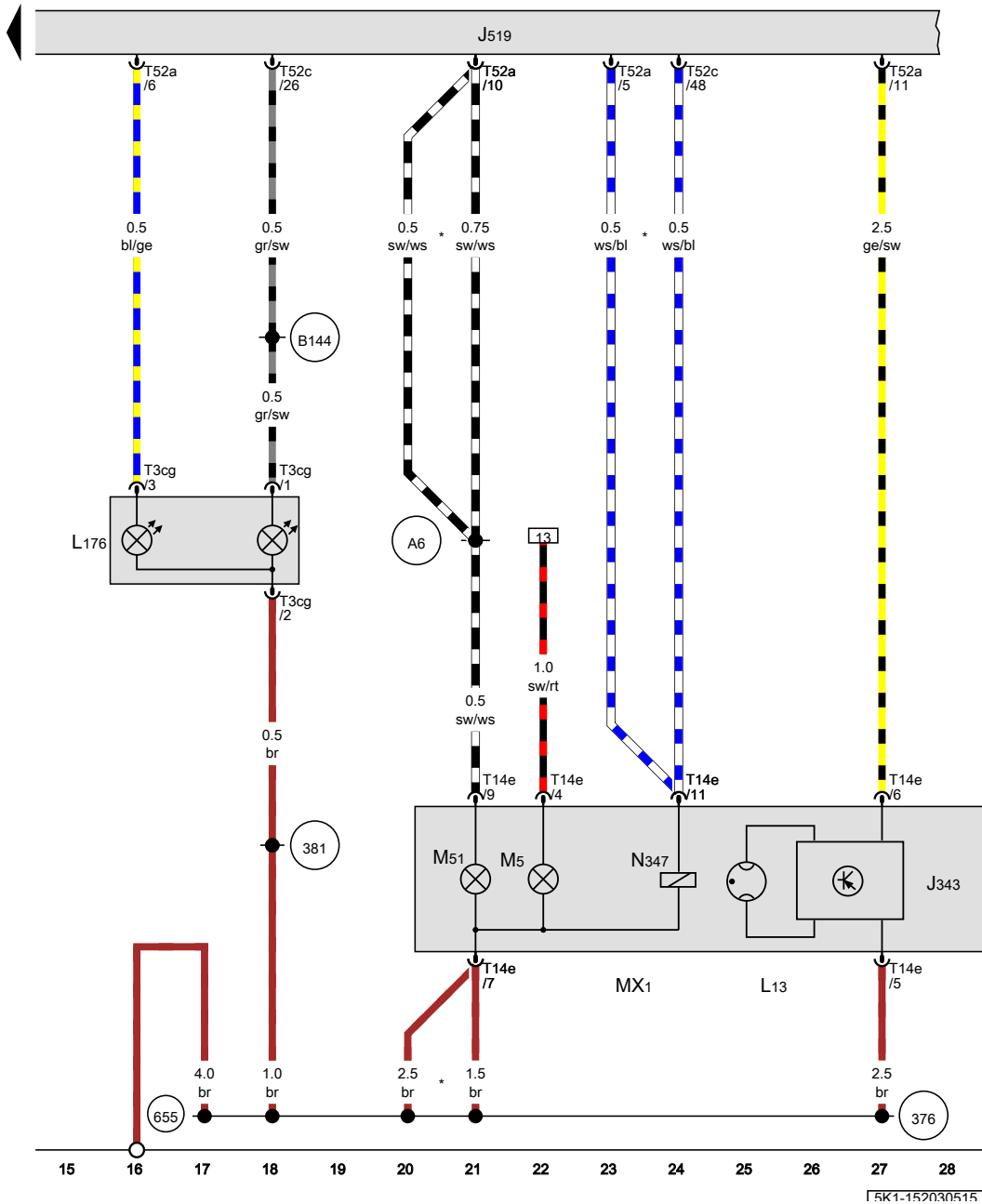
- A Battery
- J329 Terminal 15 power supply relay
- J519 Vehicle electrical control module system
- SB Fuse panel B
- SB49 Fuse 49 (on fuse panel B)
- SC Fuse panel C
- SC1 Fuse 1 (on fuse panel C)
- SC5 Fuse 5 (on fuse panel C)
- SC6 Fuse 6 (on fuse panel C)
- T40 40-pin connector, black
- T52b 52-pin connector, naturally cloudy

- 1 Ground strap, battery to body
- 44 Ground connection on A-pillar, lower left
- 367 Ground connection 2 (in main wiring harness)
- 508 Terminal 30 threaded connection (on E-box)
- 605 Ground connection on upper steering column
- A192 Positive connection 3 (15a) (in instrument panel wiring harness)
- B163 Positive connection 1 (15) (in interior wiring harness)

- ws = white
- sw = black
- ro = red
- rt = red
- br = brown
- gn = green
- bl = blue
- gr = grey
- li = lilac
- vi = lilac
- ge = yellow
- or = orange
- rs = pink

Г5К1-152020515

Vehicle electrical control module system, Left daytime running lamp and position lamp LED module, Left front headlamp



- J343 Left HID headlamp control module
- J519 Vehicle electrical control module system
- L13 Left HID headlamp bulb
- L176 Left daytime running lamp and position lamp LED module
- MX1 Left front headlamp, on the left HID headlamp
- M5 Left front turn signal bulb, on the left HID headlamp
- M51 Left stationary cornering lamp, on the left HID headlamp
- N347 Left high/low beam switch-over solenoid, on the left HID headlamp
- T3cg 3-pin connector
- T14e 14-pin connector, black
- T52a 52-pin connector, black
- T52c 52-pin connector, brown

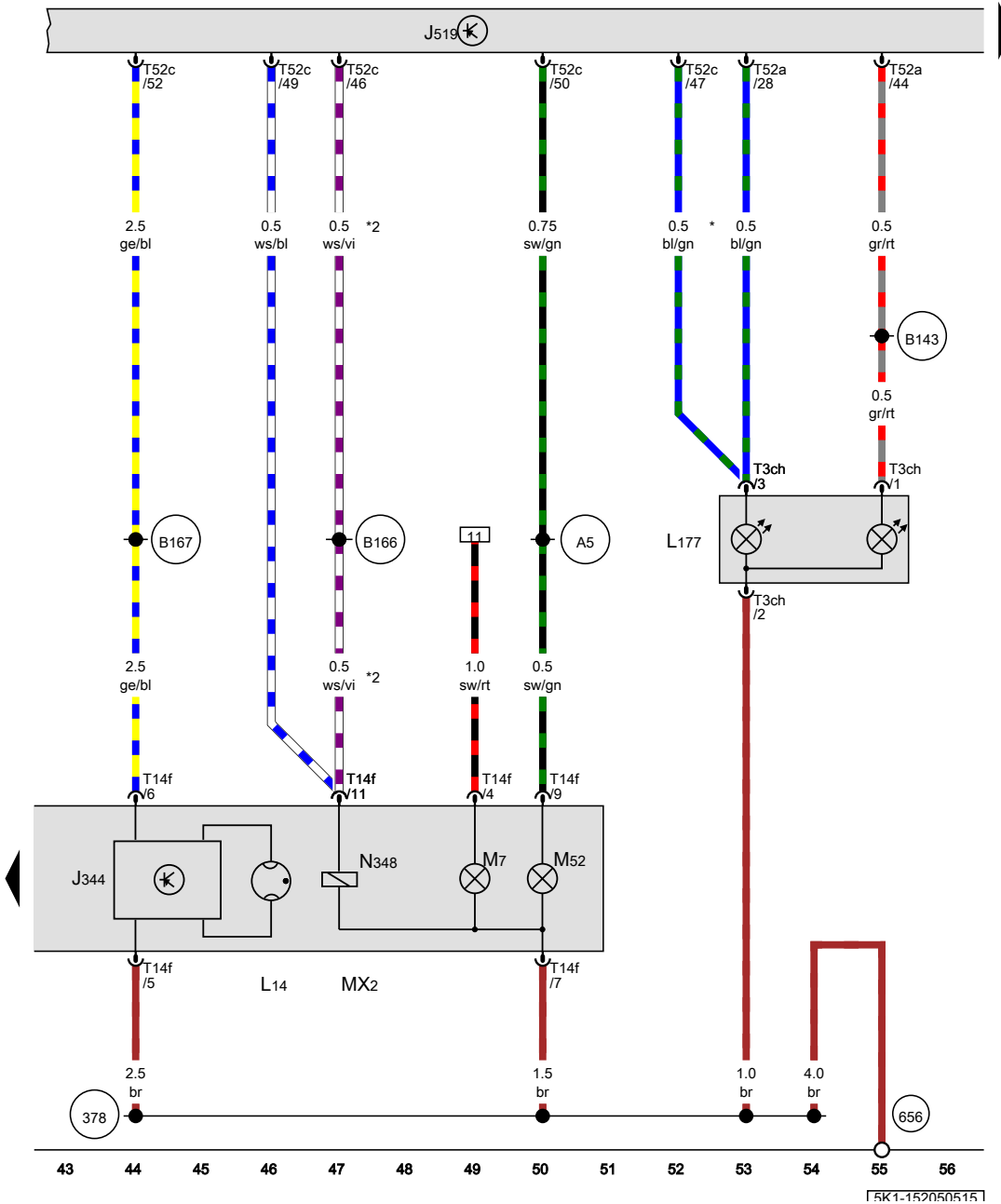
- 376 Ground connection 11 (in main wiring harness)
- 381 Ground connection 16 (in main wiring harness)
- 655 Ground connection on left headlamp
- A6 Left turn signal positive connection (in instrument panel wiring harness)
- B144 Positive connection (58L) (in interior wiring harness)

\* from July 2011

- ws = white
- sw = black
- ro = red
- rt = red
- br = brown
- gn = green
- bl = blue
- gr = grey
- li = lilac
- vi = lilac
- ge = yellow
- or = orange
- rs = pink



Vehicle electrical control module system, Right daytime running lamp and position lamp LED module, Right front headlamp

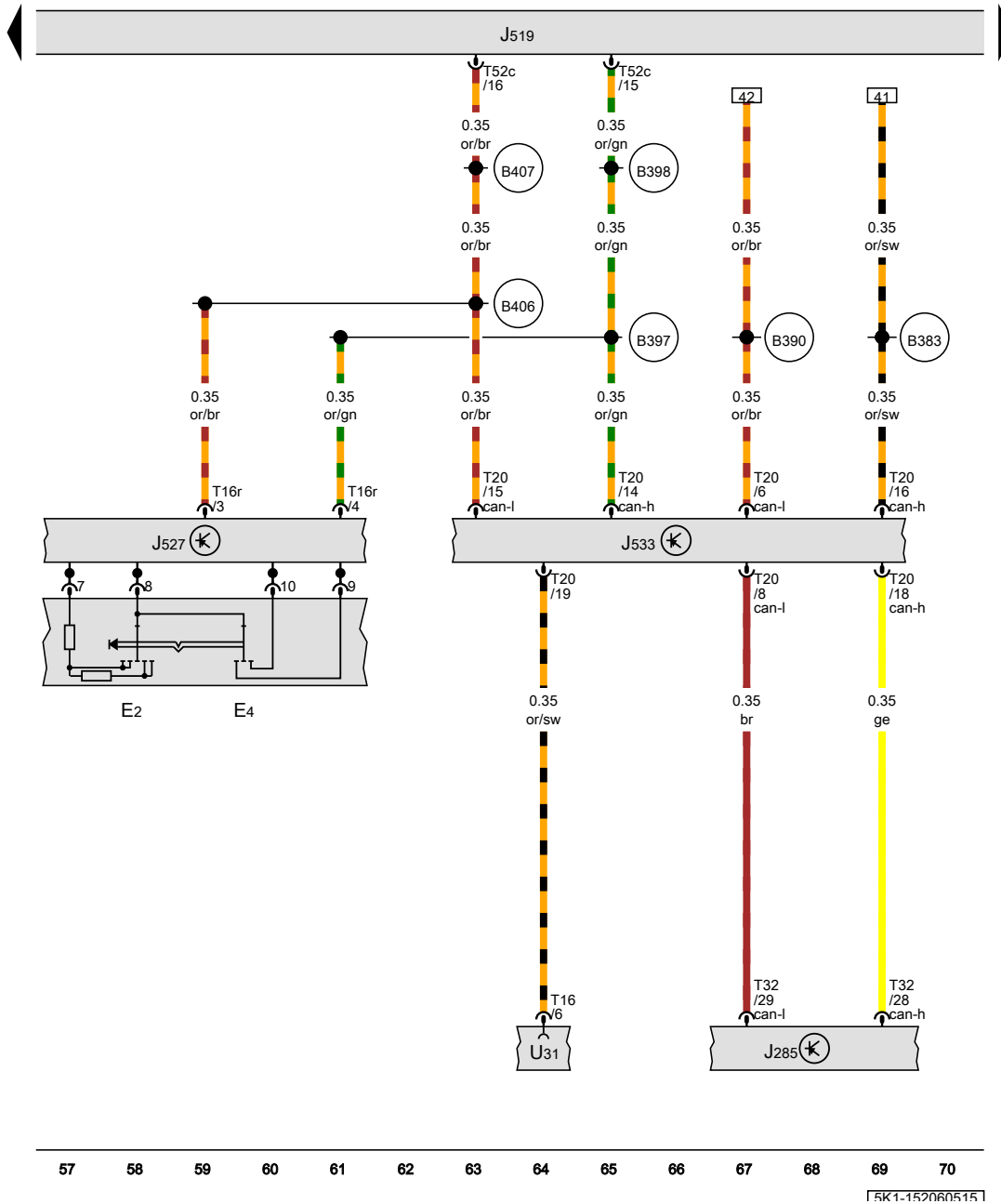


- J344 Right HID headlamp control module
- J519 Vehicle electrical control module system
- L14 Right HID headlamp bulb
- L177 Right daytime running lamp and position lamp LED module
- MX2 Right front headlamp, on the right HID headlamp
- M7 Right front turn signal bulb, on the right HID headlamp
- M52 Right stationary cornering lamp, on the right HID headlamp
- N348 Right high/low beam switch-over solenoid, on the right HID headlamp
- T3ch 3-pin connector
- T14f 14-pin connector, black
- T52a 52-pin connector, black
- T52c 52-pin connector, brown

- 378 Ground connection 13 (in main wiring harness)
- 656 Ground connection on right headlamp
- A5 Right turn signal positive connection (in instrument panel wiring harness)
- B143 Positive connection (58R) (in interior wiring harness)
- B166 Connection 56a (in interior wiring harness)
- B167 Connection 56b (in interior wiring harness)
- \* USA only
- \*2 from July 2011

- ws = white
- sw = black
- ro = red
- rt = red
- br = brown
- gn = green
- bl = blue
- gr = grey
- li = lilac
- vi = lilac
- ge = yellow
- or = orange
- rs = pink





Turn signal switch, Headlamp dimmer/flasher switch, Instrument cluster control module, Vehicle electrical control module system, Steering column electronics control module, Data bus on board diagnostic interface

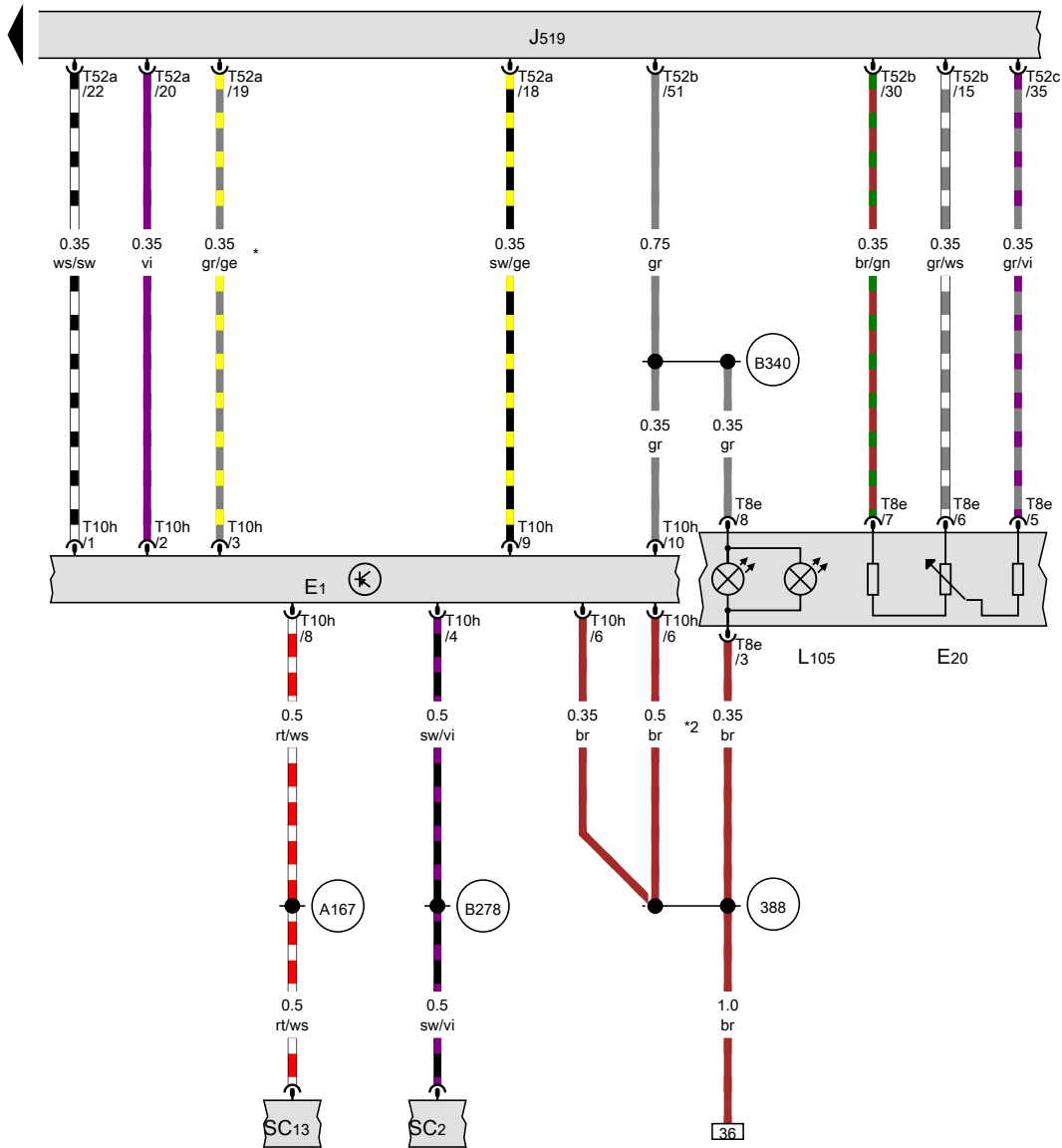
- E2 Turn signal switch
- E4 Headlamp dimmer/flasher switch
- J285 Instrument cluster control module
- J519 Vehicle electrical control module system
- J527 Steering column electronics control module
- J533 Data bus on board diagnostic interface
- T16 16-pin connector, black
- T16r 16-pin connector, black
- T20 20-pin connector, black
- T32 32-pin connector, blue
- T52c 52-pin connector, brown
- U31 Diagnostic connection
- B383 Powertrain CAN bus high connection 1 (in main wiring harness)
- B390 Powertrain CAN bus low connection 1 (in main wiring harness)
- B397 Comfort system CAN bus high connection 1 (in main wiring harness)
- B398 Comfort system CAN bus high connection 2 (in main wiring harness)
- B406 Comfort system CAN bus low connection 1 (in main wiring harness)
- B407 Comfort system CAN bus low connection 2 (in main wiring harness)

- ws = white
- sw = black
- ro = red
- rt = red
- br = brown
- gn = green
- bl = blue
- gr = grey
- li = lilac
- vi = lilac
- ge = yellow
- or = orange
- rs = pink

57 58 59 60 61 62 63 64 65 66 67 68 69 70

15K1-152060515

Light switch, Instrument panel and switch illumination dimmer switch, Vehicle electrical control module system, Lighting control illumination bulb



- E1 Light switch
- E20 Instrument panel and switch illumination dimmer switch
- J519 Vehicle electrical control module system
- L105 Lighting control illumination bulb
- SC2 Fuse 2 (on fuse panel C)
- SC13 Fuse 13 (on fuse panel C)
- T8e 8-pin connector, black
- T10h 10-pin connector, black
- T52a 52-pin connector, black
- T52b 52-pin connector, naturally cloudy
- T52c 52-pin connector, brown

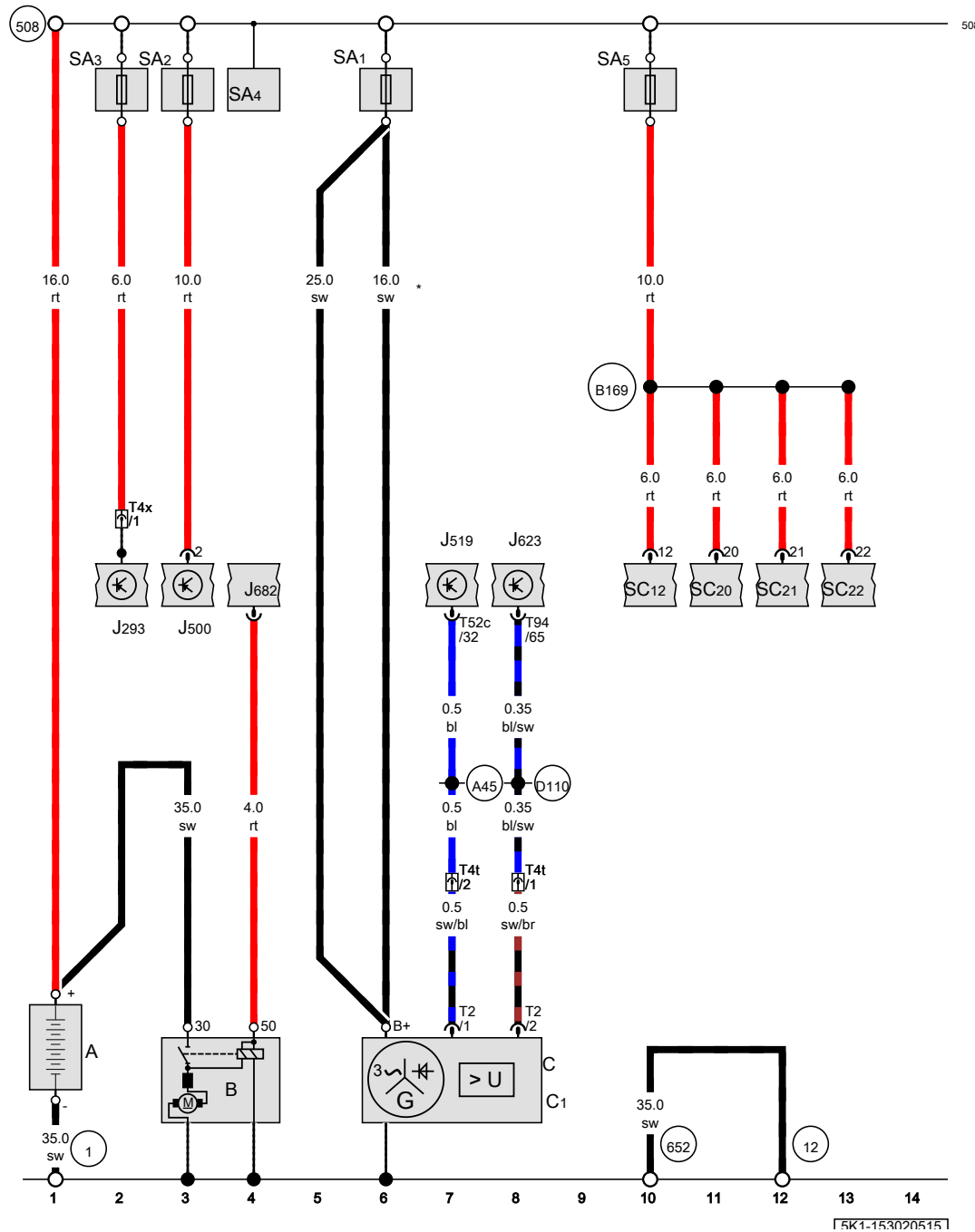
- 388 Ground connection 23 (in main wiring harness)
- A167 Positive connection 3 (30a) (in instrument panel wiring harness)
- B278 Positive connection 2 (15a) (in main wiring harness)
- B340 Connection 58d (in main wiring harness) 1

\* Not for USA  
\*2 from July 2011

- ws = white
- sw = black
- ro = red
- rt = red
- br = brown
- gn = green
- bl = blue
- gr = grey
- li = lilac
- vi = lilac
- ge = yellow
- or = orange
- rs = pink

## E-box High fuse assignment

from November 2010



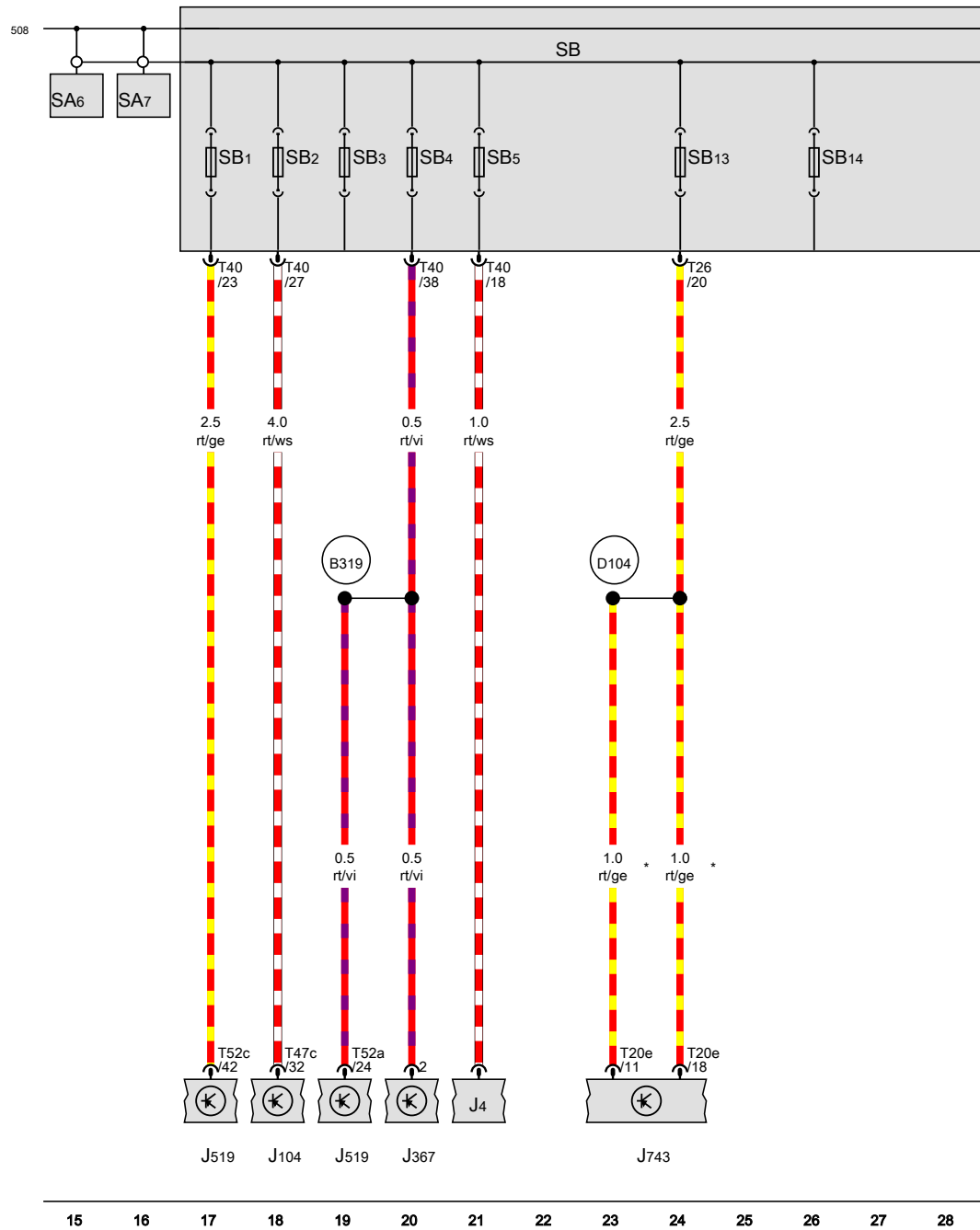
Battery, Starter, Generator

- A Battery
- B Starter
- C Generator
- C1 Voltage regulator
- J293 Radiator fan control module
- J500 Power steering control module
- J519 Vehicle electrical control module system
- J623 Engine control module
- J682 Terminal 50 power supply relay
- SA1 Fuse 1 (on fuse panel A)
- SA2 Fuse 2 (on fuse panel A)
- SA3 Fuse 3 (on fuse panel A)
- SA4 Fuse 4 (on fuse panel A)
- SA5 Fuse 5 (on fuse panel A)
- SC12 Fuse 12 (on fuse panel C)
- SC20 Fuse 20 (on fuse panel C)
- SC21 Fuse 21 (on fuse panel C)
- SC22 Fuse 22 (on fuse panel C)
- T2 Double connector
- T4t 4-pin connector, near the starter
- T4x 4-pin connector
- T52c 52-pin connector
- T94 94-pin connector

- 1 Ground strap, battery to body
- 12 Ground connection in engine compartment, left
- 508 Terminal 30 threaded connection (on E-box)
- 652 Transmission/engine ground connection
- A45 RPM signal connection (in instrument panel wiring harness)
- B169 Positive connection 1 (30) (in interior wiring harness)
- D110 Connection 8 (in engine compartment wiring harness)

- ws = white
- sw = black
- ro = red
- rt = red
- br = brown
- gn = green
- bl = blue
- gr = grey
- li = lilac
- vi = lilac
- ge = yellow
- or = orange
- rs = pink

\* Only for vehicles with a generator (140 A)

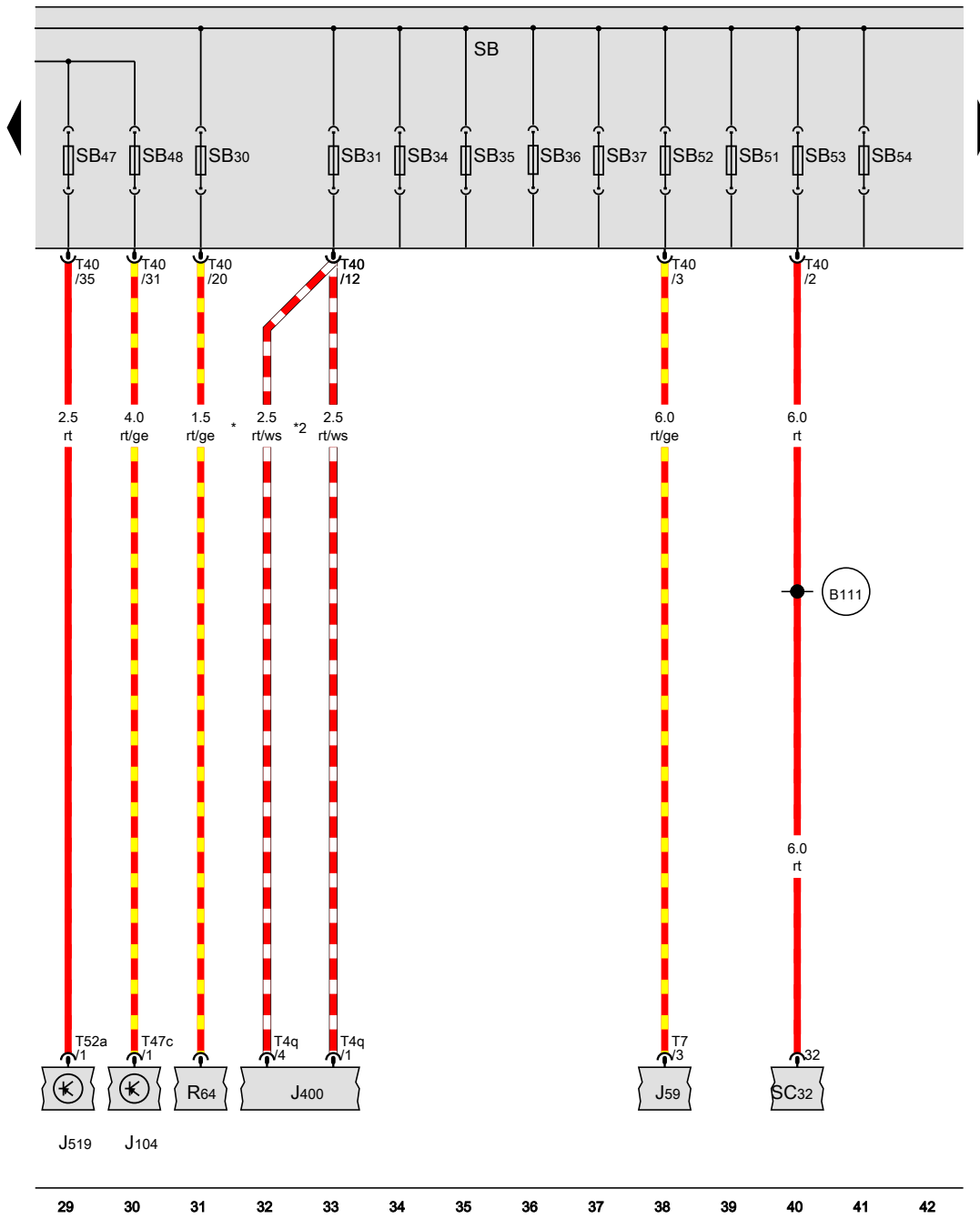


**Fuse panel B, Fuse 1 (on fuse panel B), Fuse 2 (on fuse panel B), Fuse 4 (on fuse panel B), Fuse 5 (on fuse panel B)**

- J4 Dual tone horn relay
- J104 ABS control module
- J367 Battery monitoring control module
- J519 Vehicle electrical control module system
- J743 DSG transmission Mechatronic
- SA6 Fuse 6 (on fuse panel A)
- SA7 Fuse 7 (on fuse panel A)
- SB Fuse panel B
- SB1 Fuse 1 (on fuse panel B)
- SB2 Fuse 2 (on fuse panel B)
- SB3 Fuse 3 (on fuse panel B)
- SB4 Fuse 4 (on fuse panel B)
- SB5 Fuse 5 (on fuse panel B)
- SB13 Fuse 13 (on fuse panel B)
- SB14 Fuse 14 (on fuse panel B)
- T20e 20-pin connector
- T26 26-pin connector
- T40 40-pin connector
- T47c 47-pin connector
- T52a 52-pin connector
- T52c 52-pin connector

- 508 Terminal 30 threaded connection (on E-box)
- B319 Positive connection 5 (30a) (in main wiring harness)
- D104 Positive connection 2 (30a) (in engine compartment wiring harness)
- \* Only for vehicles with DSG transmission

- ws = white
- sw = black
- ro = red
- rt = red
- br = brown
- gn = green
- bl = blue
- gr = grey
- li = lilac
- vi = lilac
- ge = yellow
- or = orange
- rs = pink



Fuse panel B, Fuse 31 (on fuse panel B), Fuse 47 (on fuse panel B), Fuse 48 (on fuse panel B), Fuse 52 (on fuse panel B), Fuse 53 (on fuse panel B)

- J59 Load reduction relay
- J104 ABS control module
- J400 Wiper motor control module
- J519 Vehicle electrical control module system
- R64 Parking heater radio receiver
- SB Fuse panel B
- SB30 Fuse 30 (on fuse panel B)
- SB31 Fuse 31 (on fuse panel B)
- SC32 Fuse 32 (on fuse panel C)
- SB34 Fuse 34 (on fuse panel B)
- SB35 Fuse 35 (on fuse panel B)
- SB36 Fuse 36 (on fuse panel B)
- SB37 Fuse 37 (on fuse panel B)
- SB47 Fuse 47 (on fuse panel B)
- SB48 Fuse 48 (on fuse panel B)
- SB51 Fuse 51 (on fuse panel B)
- SB52 Fuse 52 (on fuse panel B)
- SB53 Fuse 53 (on fuse panel B)
- SB54 Fuse 54 (on fuse panel B)
- T4q 4-pin connector
- T7 7-pin connector
- T40 40-pin connector
- T47c 47-pin connector
- T52a 52-pin connector

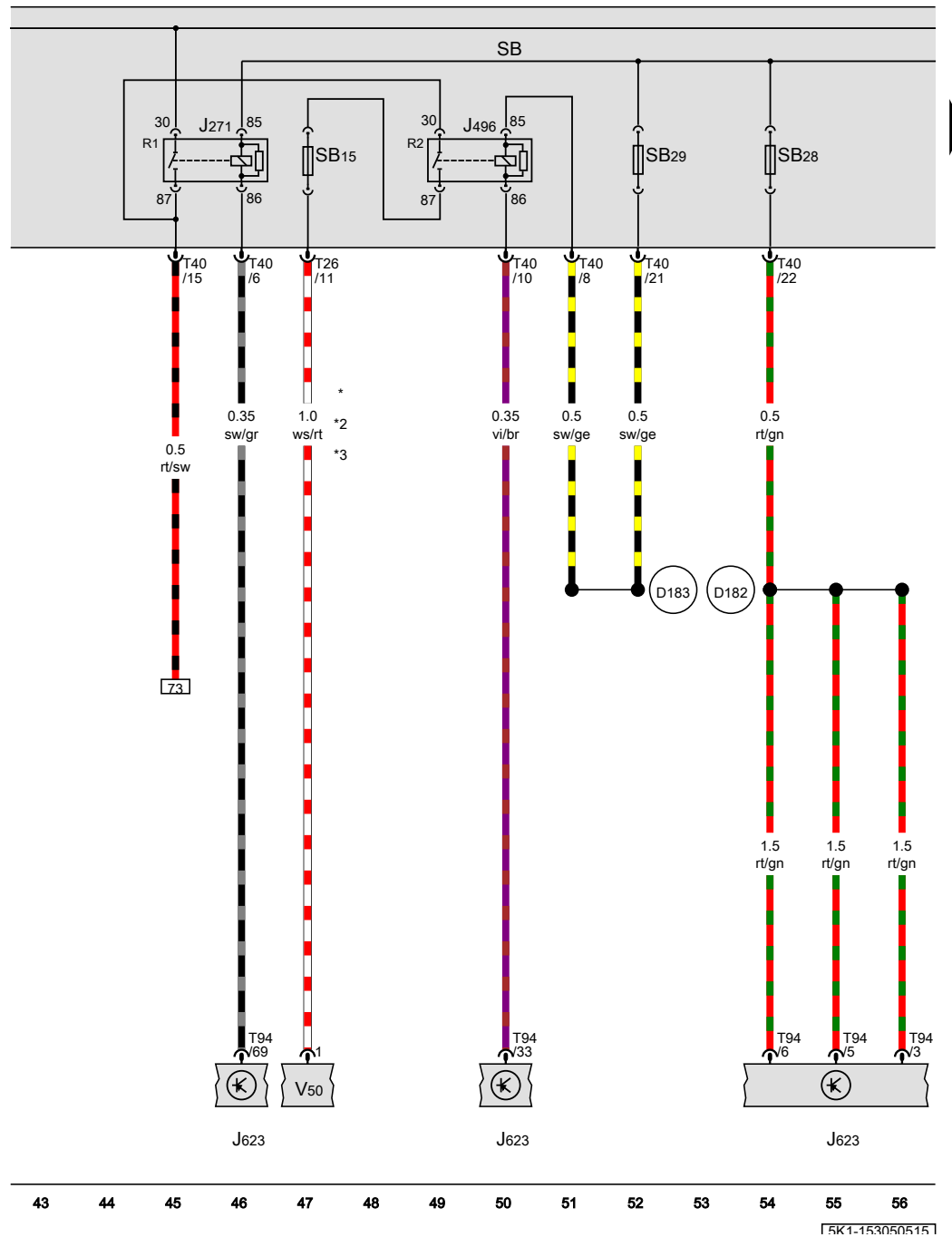
B111 Positive connection 1 (30a) (in interior wiring harness)

- \* Only for vehicles with auxiliary heater radio receiver
- \*2 Only for right-hand drive vehicles

- ws = white
- sw = black
- ro = red
- rt = red
- br = brown
- gn = green
- bl = blue
- gr = grey
- li = lilac
- vi = lilac
- ge = yellow
- or = orange
- rs = pink

29 30 31 32 33 34 35 36 37 38 39 40 41 42

15K1-153040515



**Motronic engine control module power supply relay, Auxiliary engine coolant pump relay, Fuse panel B, Fuse 15 (on fuse panel B), Fuse 28 (on fuse panel B), Fuse 29 (on fuse panel B)**

- J271 Motronic engine control module power supply relay
- J496 Auxiliary engine coolant pump relay
- J623 Engine control module
- SB Fuse panel B
- SB15 Fuse 15 (on fuse panel B)
- SB28 Fuse 28 (on fuse panel B)
- SB29 Fuse 29 (on fuse panel B)
- T26 26-pin connector
- T40 40-pin connector
- T94 94-pin connector
- V50 Coolant recirculation pump

D182 Connection 3 (87a) (in engine compartment wiring harness)

D183 Connection 4 (87a) (in engine compartment wiring harness)

\* Through May 2010

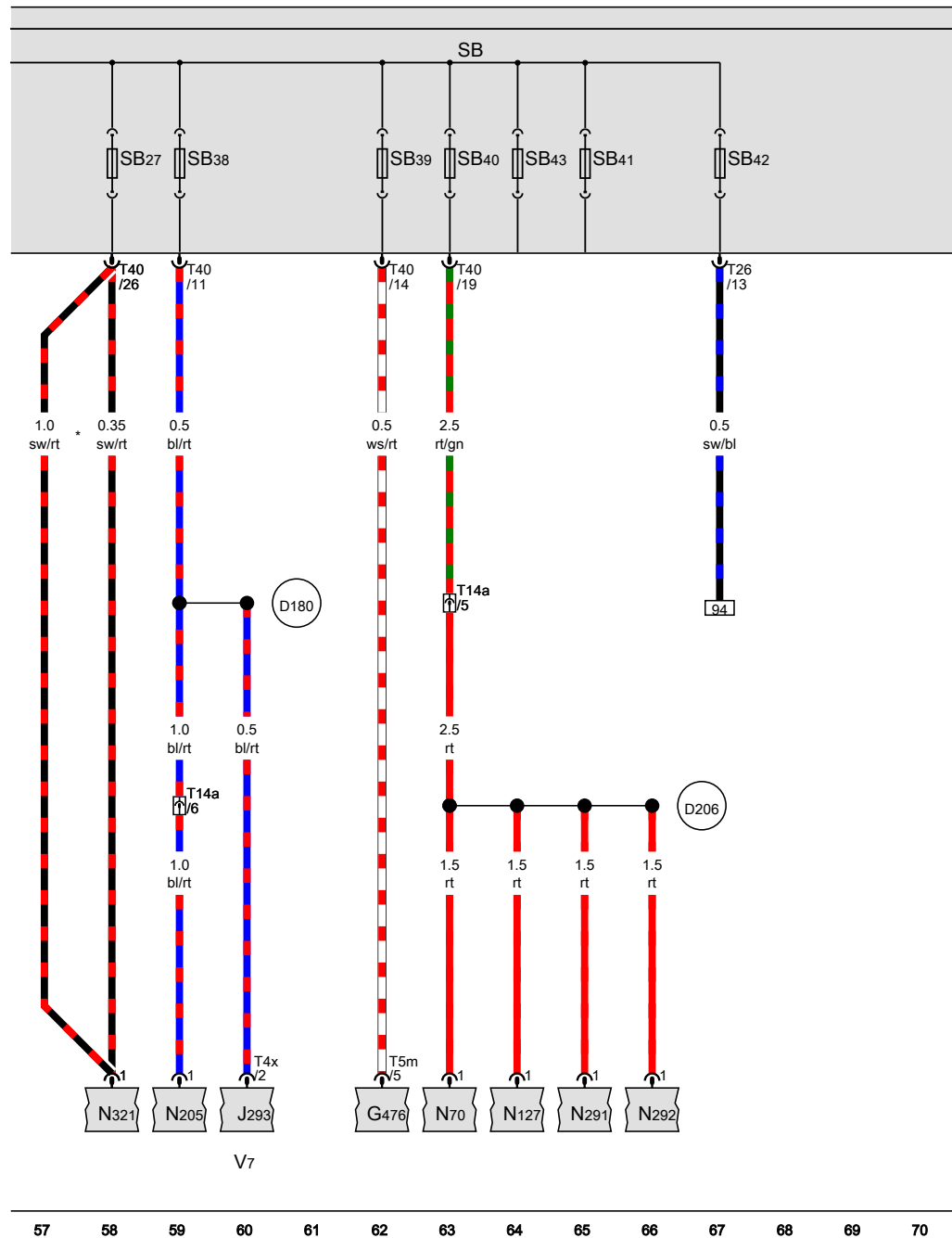
\*2 from June 2010

\*3 Refer to applicable engine wiring diagram

- ws = white
- sw = black
- ro = red
- rt = red
- br = brown
- gn = green
- bl = blue
- gr = grey
- li = lilac
- vi = lilac
- ge = yellow
- or = orange
- rs = pink

43 44 45 46 47 48 49 50 51 52 53 54 55 56

15K1-1530505151



Fuse panel B, Fuse 27 (on fuse panel B), Fuse 38 (on fuse panel B), Fuse 39 (on fuse panel B), Fuse 40 (on fuse panel B), Fuse 42 (on fuse panel B)

- G476 Clutch position sensor
- J293 Radiator fan control module
- N70 Ignition coil 1 with power output stage
- N127 Ignition coil 2 with power output stage
- N205 Camshaft adjustment valve 1
- N291 Ignition coil 3 with power output stage
- N292 Ignition coil 4 with power output stage
- N321 Exhaust door valve 1
- SB Fuse panel B
- SB27 Fuse 27 (on fuse panel B)
- SB38 Fuse 38 (on fuse panel B)
- SB39 Fuse 39 (on fuse panel B)
- SB40 Fuse 40 (on fuse panel B)
- SB41 Fuse 41 (on fuse panel B)
- SB42 Fuse 42 (on fuse panel B)
- SB43 Fuse 43 (on fuse panel B)
- T4x 4-pin connector
- T5m 5-pin connector
- T14a 14-pin connector
- T26 26-pin connector
- T40 40-pin connector
- V7 Radiator fan

D180 Connection 87a (in engine compartment wiring harness)

D206 Connection 87a (in engine pre-wiring harness) 4

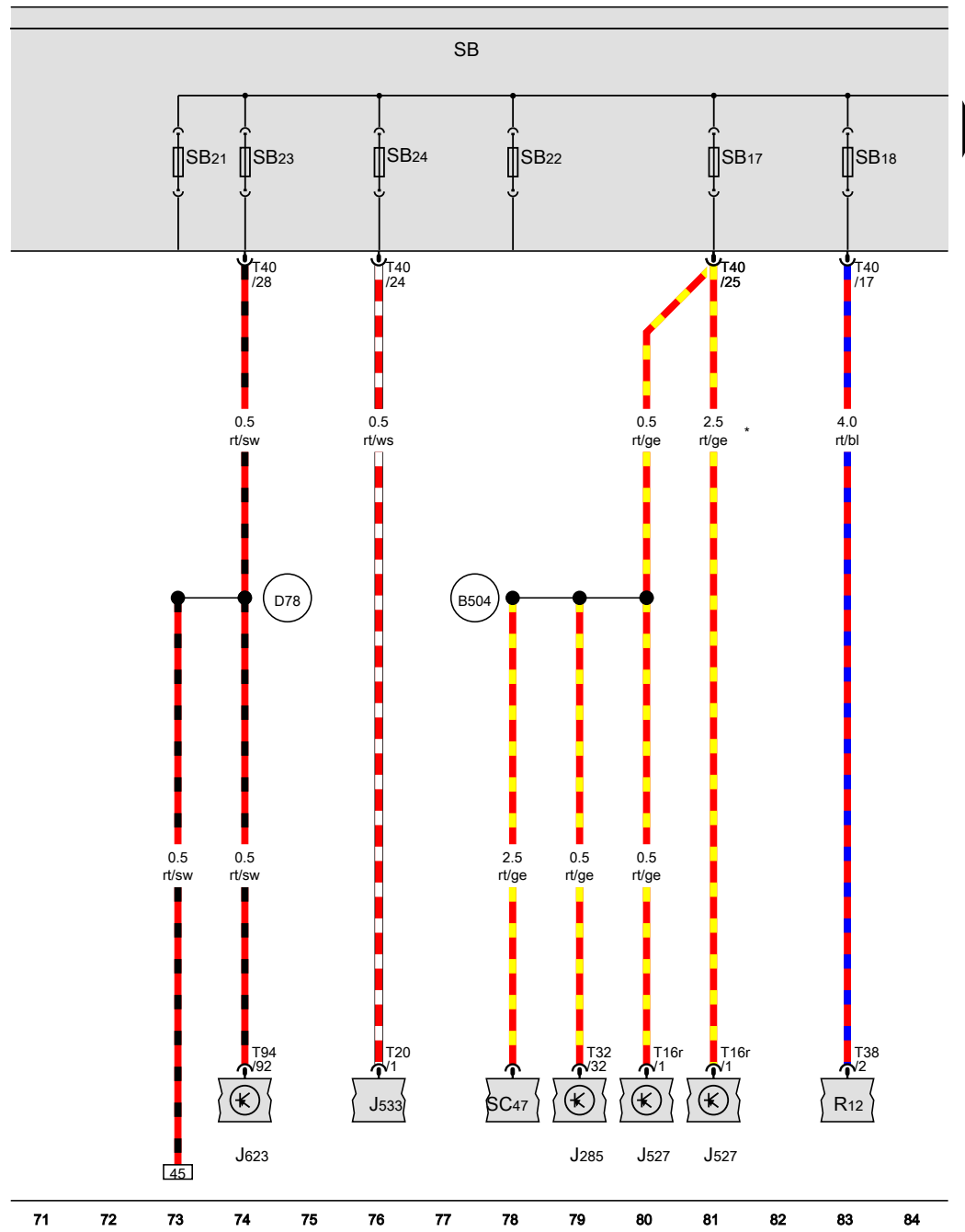
\* Only for right-hand drive vehicles

- ws = white
- sw = black
- ro = red
- rt = red
- br = brown
- gn = green
- bl = blue
- gr = grey
- li = lilac
- vi = lilac
- ge = yellow
- or = orange
- rs = pink

57 58 59 60 61 62 63 64 65 66 67 68 69 70

15K1-153060515





Fuse panel B, Fuse 17 (on fuse panel B), Fuse 18 (on fuse panel B), Fuse 23 (on fuse panel B), Fuse 24 (on fuse panel B)

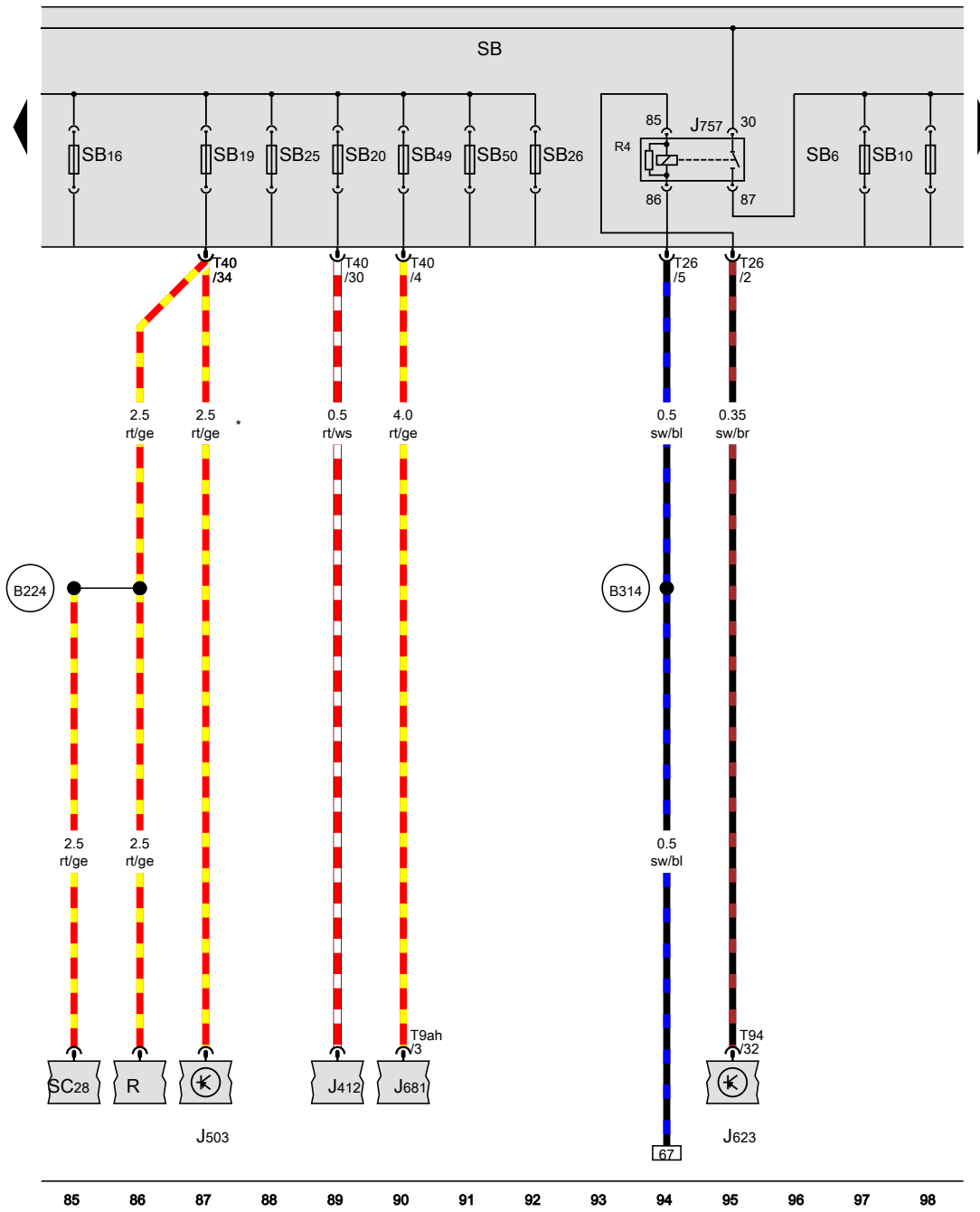
- J285 Instrument cluster control module
- J527 Steering column electronics control module
- J533 Data bus on board diagnostic interface
- J623 Engine control module
- R12 Amplifier
- SB Fuse panel B
- SB17 Fuse 17 (on fuse panel B)
- SB18 Fuse 18 (on fuse panel B)
- SB21 Fuse 21 (on fuse panel B)
- SB22 Fuse 22 (on fuse panel B)
- SB23 Fuse 23 (on fuse panel B)
- SB24 Fuse 24 (on fuse panel B)
- SC47 Fuse 47 (on fuse panel C)
- T16r 16-pin connector
- T20 20-pin connector
- T32 32-pin connector
- T38 38-pin connector
- T40 40-pin connector
- T94 94-pin connector

(B504) Positive connection 8 (30a) (in interior wiring harness)

(D78) Positive connection 1 (30a) (in engine compartment wiring harness)

\* Only for vehicles with Start/Stop system

- ws = white
- sw = black
- ro = red
- rt = red
- br = brown
- gn = green
- bl = blue
- gr = grey
- li = lilac
- vi = lilac
- ge = yellow
- or = orange
- rs = pink



Radio/navigation display unit control module, Engine component power supply relay, Fuse panel B, Fuse 19 (on fuse panel B), Fuse 20 (on fuse panel B), Fuse 49 (on fuse panel B)

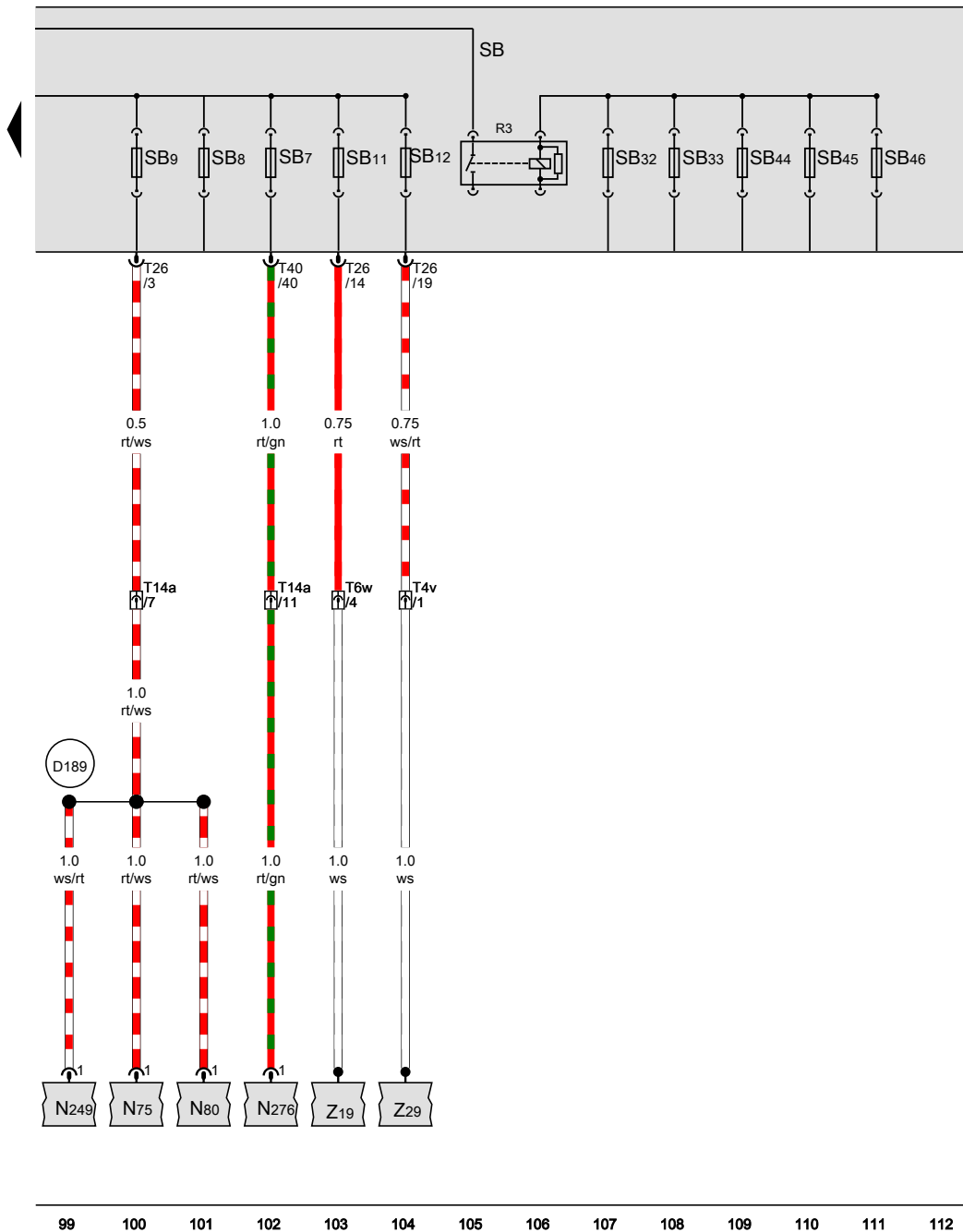
- J412 Cell phone operating electronics control module
- J503 Radio/navigation display unit control module
- J623 Engine control module
- J681 Terminal 15 power supply relay 2
- J757 Engine component power supply relay
- R Radio
- SB Fuse panel B
- SB6 Fuse 6 (on fuse panel B)
- SB10 Fuse 10 (on fuse panel B)
- SB16 Fuse 16 (on fuse panel B)
- SB19 Fuse 19 (on fuse panel B)
- SB20 Fuse 20 (on fuse panel B)
- SB25 Fuse 25 (on fuse panel B)
- SB26 Fuse 26 (on fuse panel B)
- SC28 Fuse 28 (on fuse panel C)
- SB49 Fuse 49 (on fuse panel B)
- SB50 Fuse 50 (on fuse panel B)
- T9ah 9-pin connector
- T26 26-pin connector
- T40 40-pin connector
- T94 94-pin connector

B224 Radio connection 1 (in interior wiring harness)

B314 Positive connection 18 (30) (in main wiring harness)

\* Only for vehicles without Start/Stop system

- ws = white
- sw = black
- ro = red
- rt = red
- br = brown
- gn = green
- bl = blue
- gr = grey
- li = lilac
- vi = lilac
- ge = yellow
- or = orange
- rs = pink



Fuse panel B, Fuse 7 (on fuse panel B), Fuse 9 (on fuse panel B), Fuse 11 (on fuse panel B), Fuse 12 (on fuse panel B), Oxygen sensor heater, Heater for oxygen sensor 1 after catalytic converter

- N75 Wastegate bypass regulator valve
- N80 EVAP canister purge regulator valve 1
- N249 Turbocharger recirculation valve
- N276 Fuel pressure regulator valve
- SB Fuse panel B
- SB7 Fuse 7 (on fuse panel B)
- SB8 Fuse 8 (on fuse panel B)
- SB9 Fuse 9 (on fuse panel B)
- SB11 Fuse 11 (on fuse panel B)
- SB12 Fuse 12 (on fuse panel B)
- SB32 Fuse 32 (on fuse panel B)
- SB33 Fuse 33 (on fuse panel B)
- SB44 Fuse 44 (on fuse panel B)
- SB45 Fuse 45 (on fuse panel B)
- SB46 Fuse 46 (on fuse panel B)
- T4v 4-pin connector
- T6w 6-pin connector
- T14a 14-pin connector
- T26 26-pin connector
- T40 40-pin connector
- Z19 Oxygen sensor heater
- Z29 Heater for oxygen sensor 1 after catalytic converter
- D189 Connection 87a (in engine pre-wiring harness)

- ws = white
- sw = black
- ro = red
- rt = red
- br = brown
- gn = green
- bl = blue
- gr = grey
- li = lilac
- vi = lilac
- ge = yellow
- or = orange
- rs = pink

99 100 101 102 103 104 105 106 107 108 109 110 111 112

15K1-153090515