

TABLE OF CONTENTS

FUEL RECOMMENDATION	1
BEFORE DRIVING	2
OPERATING YOUR VEHICLE	3
DRIVING TIPS	4
OTHER CONTROLS AND EQUIPMENT	5
VEHICLE LOADING AND TOWING	6
INSPECTION AND MAINTENANCE	7
EMERGENCY SERVICE	8
APPEARANCE CARE	9
GENERAL INFORMATION	10
SPECIFICATION	11

FOREWORD

This manual is an essential part of your vehicle and should remain with the vehicle when resold or otherwise transferred to a new owner or operator. Please read this manual carefully before operating your new MARUTI SUZUKI and review the manual from time to time. It contains important information on safety, operation and maintenance. You are invited to avail the three Free Inspection Services as described in the manual. Three free inspection coupons are attached to this manual. Please show this manual to your dealer while you take your MARUTI SUZUKI for any Service.

To prolong the life of your vehicle and reduce maintenance cost, the periodic maintenance must be carried out according to "PERIODIC MAINTENANCE SCHEDULE" described in "INSPECTION AND MAINTENANCE" section of this manual. It is essential for preventing trouble and accidents to ensure your satisfaction and safety. Daily inspection and care as per "DAILY INSPECTION CHECKLIST" described in the "INSPECTION AND MAINTENANCE" section of this manual is essential for prolonging the life of the vehicle and for safe driving.

MARUTI SUZUKI INDIA LIMITED believes in conservation and protection of Earth's natural resources. To that end, we encourage every vehicle owner to recycle, trade-in or properly dispose of, as appropriate, used Engine Oil, coolant and other fluids, batteries and tyres etc.

MARUTI SUZUKI INDIA LIMITED

All information in this manual is based on the latest product information available at the time of publication. Due to improvements or other changes, there may be discrepancies between information in this manual and your vehicle. MARUTI SUZUKI INDIA LIMITED reserves the right to make production changes at any time, without notice and without incurring any obligation to make the same or similar changes to vehicles previously built or sold. This vehicle may not comply with standards or regulations of other countries. Before attempting to register this vehicle in any other country, check all applicable regulations and make any necessary modifications.

IMPORTANT

▲WARNING/ ▲CAUTION/ NOTICE/ NOTE

Please read this manual and follow its instructions carefully. To emphasize special information, the symbol and the words **WARNING**, **CAUTION**, **NOTICE** and **NOTE** have special meanings. Pay particular attention to messages highlighted by these signal words:

▲ WARNING

Indicates a potential hazard that could result in death or serious injury.

▲ CAUTION

Indicates a potential hazard that could result in minor or moderate injury.

NOTICE

Indicates a potential hazard that could result in vehicle damage.

NOTE:

Indicates special information to make maintenance easier or instructions clearer.



76G-00-001

The circle with a slash in this manual means "Don't do this" or "Don't let this happen".

MODIFICATION WARNING

▲ WARNING

Do not modify your vehicle. Modification could adversely affect safety, handling, performance, or durability and may violate governmental regulations. In addition, damage or performance problems resulting from modification may not be covered under warranty.

NOTICE

Improper installation of mobile communication equipment such as cellular telephones or CB (Citizen's Band) radios may cause electronic interference with your vehicle's ignition system, resulting in vehicle performance problems. Consult your MARUTI SUZUKI dealer for advice on installing such mobile communication equipment.

▲ WARNING

Severe damage may be caused by the use of either poor quality fuel and/or lubricants not recommended by MARUTI SUZUKI.

MAINTENANCE SERVICE RECORD

MODEL	CHASSIS NO.	ENGINE NO.	KEY NO.	DATE OF DELIVERY	MILEAGE (km)	BATTERY	
						MAKE	SR. NO./BATCH CODE

OWNER'S NAME & ADDRESS _____ _____ TEL. NO. _____
--

ADDRESS/STAMP OF SELLING DEALER	SELLING DEALER CODE
SHOWROOM	
	IMPORTANT INFORMATION TO CUSTOMER Dear Customer For any assistance with regard to our product, please contact General Manager/Works Manager at any of our Dealer or Authorised Service Station. For additional enquiry you may contact our Regional office or Service Division. The Addresses and Phone nos. are given in Service Network booklet provided along with vehicle.
WORKSHOP	

MAINTENANCE SERVICE RECORD

60M,59K,67L,76G,83K,844-74E

DATE OF SERVICE	KIND OF SERVICE	MILEAGE (km)	DESCRIPTION OF JOB	NAME OF SERVICING DEALER/MASS	JOB CARD NO.	MECHANIC'S SIGNATURE

F....free Service P....Paid Service W....Warranty. A....Accident

WARRANTY POLICY

Maruti Suzuki India Limited (hereinafter called "Maruti Suzuki"), warrants that each new Maruti Suzuki vehicle distributed in India by Maruti Suzuki and sold by an authorised Maruti Suzuki dealer will be free, under normal use and service, from any defects in material and workmanship at the time of manufacture SUBJECT TO THE FOLLOWING TERMS AND CONDITIONS:

(1) Qualification:

To qualify for this warranty:

- (a) The Maruti Suzuki vehicle must be delivered by Maruti Suzuki authorised dealer and set-up, serviced by Maruti Suzuki authorised dealer/service station.
- (b) The warranty registration card in respect of each vehicle must be completed by the dealer at the time of delivery of the vehicle and dealer should retain the same.

(2) Term:

The term of the warranty shall be twenty four (24) months or 40,000 kilometers (whichever occurs first) from the date of delivery to the first owner.

(3) Maruti Suzuki's Warranty Obligation:

If any defect(s) should be found in a Maruti Suzuki vehicle within the term stipulated above, Maruti Suzuki's only obligation is to repair or replace at its sole discretion any part shown to be defective, with a new part or the equivalent at no cost to the owner for parts or labour, when Maruti Suzuki acknowledges that such a defect is attributable to faulty material or workmanship at the time of manufacture. The owner is responsible for any repair or replacements which are

not covered by this warranty.

(4) Limitation:

This warranty shall not apply to:

- (1) normal maintenance service required other than the three free services, including without limitation, oil and fluid changes, headlight aiming, fastener retightening, wheel balancing, wheel alignment and tyre rotation, cleaning of injectors, adjustments of carburettor, ignition timing, clutch and valve clearance.
- (2) the replacement of normal wear parts including without limitation, bulbs, tyres and tubes, spark plugs, belts, hoses, filters, wiper blades, brushes, contact points, fuses, clutch disc, brake shoes, brake pads, cable and all rubber parts (except oil seal and glass run).
- (3) any vehicle which has been used for competition or racing.
- (4) any repairs or replacement required as a result of accidents or collision.
- (5) any defects caused by misuse, negligence, abnormal use or insufficient care.
- (6) any vehicle which has been modified or altered, including without limitation, the installation of performance accessories.
- (7) any vehicle on which parts or accessories not approved by Maruti Suzuki have been used.
- (8) any vehicle which has not been operated in accordance with the operating instructions in the Maruti Suzuki Owner's Manual.
- (9) any vehicle which has not received, during the warranty term, the service inspections prescribed in the Maruti Suzuki Owner's Manual.
- (10) any vehicle which has been assembled, disassembled, adjusted or repaired by other than an Maruti Suzuki authorised dealer/service station.

WARRANTY POLICY

60M,59K,67L,76G,83K,844-74E

- (11) any vehicle which has been used for purposes other than what it was designed for.
- (12) any damage or deterioration caused by industrial pollution and bird droppings.
- (13) insignificant defects which do not affect the function of the vehicle including without limitation, sound, vibration and fluid seep.
- (14) any natural wear and tear including without limitation, aging etc.
- (15) Installation and usage of Domestic LPG Gas/LPG cylinder.
- (16) V-belts, hoses and gas leaks (For Maruti Suzuki AC vehicle).
- (17) Any vehicle retrofitted with LPG / CNG kits.

(5) **Extent of Warranty:**

This warranty is the entire written warranty given by Maruti Suzuki for Maruti Suzuki vehicles and no dealer or its or his agent or employee is authorised to extend or enlarge this warranty and no dealer or its or his agent or employee is authorised to make any oral warranty on Maruti Suzuki's behalf.

Maruti Suzuki reserves the right to add any improvements or change the design of any model at any time with no obligation to make the same changes on units previously sold.

(6) **Warranty Service:**

To obtain warranty service, the complete vehicle must be presented at the owner's expenses to any authorised Maruti Suzuki dealer.

(7) **Owner's Warranty Responsibilities:**

It is responsibility of each owner to:

- (a) make certain that the warranty registration/PDI card was completed at the time of delivery of the vehicle;
- (b) have performed, at his own expenses, by an Maruti Suzuki authorised dealer/service station all the service inspections specified in the Maruti Suzuki "Owner's Manual and Service Booklet" and maintain adequate proof that such service inspections have been performed.
- (c) make certain that the Maruti Suzuki authorised dealer/service station performing the service inspection has certified the work on the "Maintenance Service Record" page in the "Owner's Manual and Service Booklet" and
- (d) present the Maruti Suzuki "Owner's Manual and Service Booklet" to the authorised Maruti Suzuki dealer whenever requesting service inspections or warranty service.

If the "Owner's Manual and Service Booklet" should be lost or destroyed the owner should consult the authorised Maruti Suzuki dealer from whom the vehicle was purchased for instructions concerning replacement of the "Owner's Manual and Service Booklet".

(8) **Disclaimer of Consequential Damage:**

Maruti Suzuki assumes no responsibility for loss of vehicle, loss of time, inconvenience or any other indirect incidental or consequential damage resulting from the vehicle not being available to the owner because of any defect covered by this warranty.

(9) **Change of Owner**

Even if ownership of the vehicle changes, the remaining warranty period is effective for the new owner.

EMISSION WARRANTY

Maruti Suzuki offers the Emission Warranty on all Maruti Suzuki vehicles (apart from the Regular warranty and will run parallel to the regular product warranty) only in four metropolitan cities (**New Delhi, Kolkata, Mumbai and Chennai**) with effect from **July 1st, 2001**.

Terms:

The Emission Warranty will be applicable for **80,000 kms or 3 years** (Which ever comes earlier) from the date of delivery to the first owner. The remaining warranty terms will be valid in case of any change in ownership provided the production of all valid document.

Conditions:

1. Under Emission Warranty, Warranty claims will be admitted for a prima facie examination, in case vehicle fails to meet to the Emission Standard as specified in sub rule (2) of rule no. 115 of Central Motor Vehicles Rules (CMVR), 1989.
2. The warranty claims will only be accepted after examination carried out by Maruti Suzuki or it's dealer which leads to firm conclusions that the
 - a) Original settings have not been tempered in any case.
 - b) Part (as given in Annexure-A) has a manufacturing defect.
 - c) Vehicle is unable to meet the Emission Standards (as given in 1.), inspite of the vehicle having been maintained and used in accordance with the instructions as specified in Owner's Manual and Service Booklet and the used fuel and different oils (Engine oil, Transmission oil, Brake oil etc.) are also as per specification.
3. The method of examination for deciding the warranty of the parts will be at the sole discretion of Maruti Suzuki and it's dealer and results of the examination will be final and binding. If after examination, the warrantable condition is not established, Maruti Suzuki and it's dealer has the right to charge all, or part of the cost of such examination.
4. Under Emission Warranty, the parts (as given in Annexure-A) will be changed free of cost, but the consumables will be charged as per actual.
5. If the part covered under Emission Warranty or the associated parts, are not independently replaceable, on account of these being integral parts a complete assembly, Maruti Suzuki and it's dealer will have the sole discretion to replace entire assembly or by using some of the parts of the system through suitable repair or modifications.

EMISSION WARRANTY

60M,59K,67L,76G,83K,844-74E

6. Any consequential repairs or replacement of parts which may be found necessary to establish compliance of Emission Warranty, will not be considered under warranty, unless the same is under product warranty. The consumable will be charged as per actual under such repair or replacement.
7. Maruti Suzuki will not be responsible for the cost of transportation of the vehicle to the nearest Maruti Suzuki dealer workshop or any loss due to non-availability of the vehicle during the period of lodging of a warranty claim and examination and/or repair by Maruti Suzuki dealer.
8. Maruti Suzuki will not be responsible for any penalty that may be charged by statutory authorities on account of failure to comply with the EMISSION STANDARDS.
9. Emission Warranty will not be affected on the change of owner, provided all the documents are available.
10. All maintenance actions (as specified in the Owner's Manual and Service Booklet) need to be followed and recorded in the manual for emission warranty.
11. The customer needs to produce the PUC (Pollution Under Control) certificate valid for the period preceding the test during which the failure is discovered. The receipts (for the maintenance of the vehicle as per specification in Owner's Manual and Service Booklet from the date of original purchase of the vehicle) will also be required.

Condition Under which the Emission Warranty is not APPLICABLE

1. In the absence of valid PUC certificate.
2. Vehicle not serviced from Maruti Suzuki authorised workshop as per the schedule specified in the Owner's Manual.
3. Vehicle subjected to abnormal use (accident, motor race, rallies or for the purpose of establishing the records etc.)
4. Use of non MGP (Maruti Genuine Part).
5. Vehicle tampered in an unauthorised manner.
6. Tampering with odometer so that the actual kilometer reading can not be read.
7. Use of adulterated fuel and/or unspecified oils (Engine oil, Transmission oil and Brake oil etc.)

Annexure-A

List of parts covered under Emission Warranty

1. Fuel injection Assembly, Pressure Regulator, Throttle Body Assembly.
2. Electronic Control Module (ECM).
3. Intake Manifold.
4. EGR valve.
5. Distributor and internal parts.
6. Ignitions coil.
7. Canister Assembly.
8. Vapour Liquid Separator.
9. Fuel Tank and Filler Cap.
10. PCV (Positive Crankcase Ventilation) Valve.
11. Oil Filler Cap.
12. Catalytic Convertor.
13. Exhaust manifold.
14. All fuel injection System related SENSORS.
15. High Pressure Fuel Pump.
16. Glow Plug.
17. Glow Plug Controller.
18. Maniverter

MEMO

FUEL RECOMMENDATION

Fuel Recommendation 1-1

1

Fuel Recommendation**Petrol Engine**

You must use unleaded Petrol with an octane number (RON) of 91 or higher.

Petrol/Ethanol blends

Blends of unleaded Petrol and ethanol (grain alcohol), also known as gasohol, are commercially available in some areas. Blends of this type may be used in your vehicle if they are no more than 10% ethanol. Make sure this Petrol-ethanol blend has octane ratings no lower than those recommended for Petrol.

Petrol/Methanol blends

Blends of unleaded Petrol and methanol (wood alcohol) are also commercially available in some areas. DO NOT USE fuels containing more than 5% methanol under any circumstances. Fuel system damage or vehicle performance problems resulting from the use of such fuels are not the responsibility of MARUTI SUZUKI and may not be covered under the New Vehicle Warranty.

Fuels containing 5% or less methanol may be suitable for use in your vehicle if they contain cosolvents and corrosion inhibitors.

NOTE:

If you are not satisfied with the driveability or fuel economy of your vehicle when you

1-1

are using a Petrol/alcohol blend, you should switch back to unleaded Petrol containing no alcohol.

NOTICE

The fuel tank has an air space to allow for fuel expansion in hot weather. If you continue to add fuel after the filler nozzle has automatically shut off or an initial blowback occurs, the air chamber will become full. Exposure to heat when fully fuelled in this manner will result in leakage due to fuel expansion. To prevent such fuel leakage, stop filling after the filler nozzle has automatically shut off, or when using an alternative non-automatic system, initial vent blowback occurs.

NOTICE

Be careful not to spill fuel containing alcohol while refueling. If fuel is spilled on the vehicle body, wipe it up immediately. Fuels containing alcohol can cause paint damage, which is not covered under the New Vehicle Limited Warranty.

Diesel Engine

The diesel fuel should be with Cetane

Number (CN) higher than 51 and sulfur content less than 350 ppm (parts per million). MARUTI SUZUKI recommends to use the diesel fuel conformable to EN590. Do not use marine diesel fuel, heating oils and so forth.

NOTICE

The fuel tank has an air space to allow for fuel expansion in hot weather. If you continue to add fuel after the filler nozzle has automatically shut off or an initial blowback occurs, the air chamber will become full. Exposure to heat when fully fuelled in this manner will result in leakage due to fuel expansion. To prevent such fuel leakage, stop filling after the filler nozzle has automatically shut off, or when using an alternative non-automatic system, initial vent blowback occurs.

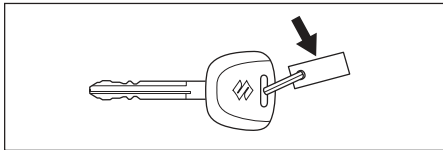
NOTICE

Be careful not to spill fuel containing alcohol while refueling. If fuel is spilled on the vehicle body, wipe it up immediately. Fuels containing alcohol can cause paint damage, which is not covered under the New Vehicle Limited Warranty.

BEFORE DRIVING

Keys	2-1
Door Locks	2-2
Keyless Entry System Transmitter (if equipped)	2-4
Security System (if equipped)	2-6
Windows	2-6
Mirrors	2-7
Front Seats	2-8
Rear Seats	2-10
Seat Belts and Child Restraint Systems	2-14
Supplemental Restraint System (air bags) (if equipped)	2-22
Instrument Cluster	2-27
Warning and Indicator Lights	2-28
Speedometer	2-32
Tachometer (if equipped)	2-32
Fuel Gauge	2-33
Temperature Gauge	2-33
Brightness Control	2-33
Information Display	2-34
Lighting Control Lever	2-38
Front Fog Light Switch (if equipped)	2-38
Headlight Leveling Switch	2-39
Turn Signal Control Lever	2-39
Hazard Warning Switch	2-40
Windshield Wiper	2-40
Washer Lever	2-41
Tilt Steering Lock Lever	2-41
Horn	2-42
Heated Rear Window Switch (if equipped)	2-42

Keys



60M-02-001

Your vehicle comes with a pair of identical keys. Keep the spare key in a safe place. One key can open all of the locks on the vehicle.

The key identification number is stamped on a metal tag provided with the keys or on the keys. Keep the tag (if equipped) in a safe place. If you lose your keys, you will need this number to have new keys made. Write the number below for your future reference.

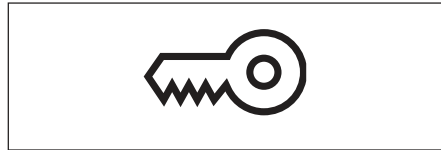
KEY NUMBER:

Immobilizer System

This system is designed to help prevent vehicle theft by electronically disabling the engine starting system.

The engine can be started only with your vehicle's original immobilizer ignition key

which has an electronic identification code programmed into it. The key communicates the identification code to the vehicle when the ignition switch is turned to the "ON" position. If you need to make spare keys, see your MARUTI SUZUKI dealer. The vehicle must be programmed with the correct identification code for the spare keys. A key made by an ordinary locksmith will not work.



60M-02-002

If the immobilizer system light blinks when the ignition switch is in the "ON" position, the engine will not start.

NOTE:

- If this light blinks, turn the ignition switch to the "LOCK" position, then turn it back to the "ON" position.
- If the light still blinks with the ignition switch turned to the "ON" position, there may be something wrong with your key or with the immobilizer system. Ask your MARUTI SUZUKI dealer to inspect the system.

NOTE:

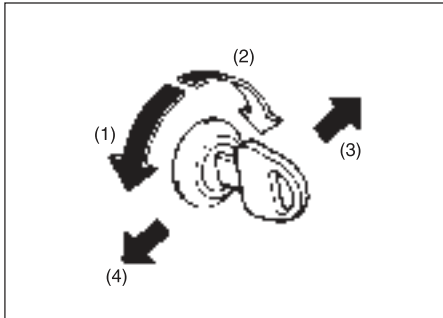
- If you lose your immobilizer ignition key, see your MARUTI SUZUKI dealer as soon as possible to have the lost one deactivated, then have the new key made by them.
- If you own other vehicles with immobilizer keys, keep those keys away from the ignition switch when using your MARUTI SUZUKI, or the engine may not be started because they may interfere with your MARUTI SUZUKI immobilizer system.
- If you attach any metal objects to the immobilizer key, it may not start the engine.

NOTICE
<p>The immobilizer key is a sensitive electronic instrument. To avoid damaging the immobilizer key:</p> <ul style="list-style-type: none"> • Do not expose it to impacts, moisture or high temperature such as on the dashboard under direct sunlight. • Keep the immobilizer key away from magnetic objects.

Ignition Key Reminder

A buzzer sounds intermittently to remind you to remove the ignition key if it is in the ignition switch when the driver's door is opened.

Door Locks Side Door Locks



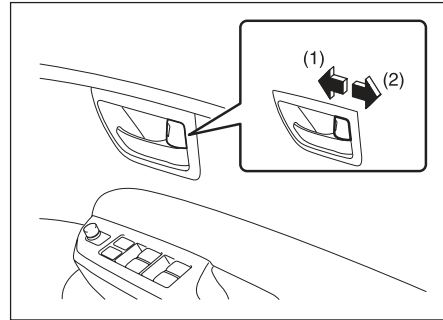
60M-02-003

- 1) UNLOCK
- 2) LOCK
- 3) Front
- 4) Rear

To lock a front door from outside the vehicle:

- Insert the key and turn the top of the key toward the front of the vehicle, or
- Turn the lock knob forward, then pull and hold the door handle as you close the door.

To unlock a front door from outside the vehicle, insert the key and turn the top of the key toward the rear of the vehicle.



60M-02-004

- 1) LOCK
- 2) UNLOCK

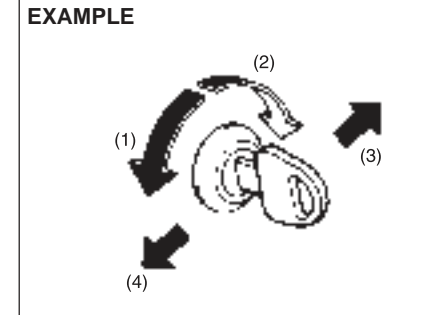
To lock a door from inside the vehicle, turn the lock knob forward. Turn the lock knob rearward to unlock the door.

To lock a rear door from outside the vehicle, turn the lock knob forward and close the door. You do not need to pull and hold the door handle as you close the door.

NOTE:

Be sure to hold the door handle when you close a locked front door, or the door will not remain locked.

Central Door Locking System (if equipped)



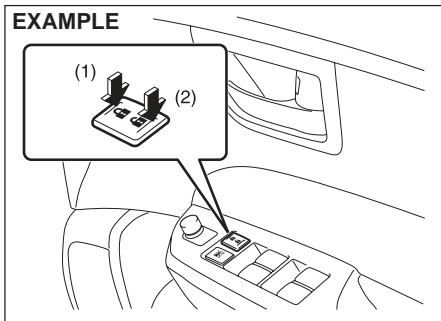
60M-02-005

- 1) UNLOCK
- 2) LOCK
- 3) Front
- 4) Rear

You can lock and unlock all doors (including the tailgate) simultaneously by using the key in the driver's door lock.

To lock all doors simultaneously, insert the key in the driver's door lock and turn the top of the key toward the front of the vehicle.

To unlock all doors simultaneously, insert the key in the driver's door lock and turn the top of the key toward the rear of the vehicle.



60M-02-006

- 1) LOCK
- 2) UNLOCK

You can also lock or unlock all doors by depressing the front or rear of the switch, respectively.

NOTE:

- If your vehicle is equipped with the keyless entry system, you can also lock or unlock all doors by operating the transmitter. Refer to "Keyless Entry System Transmitter" in this section.

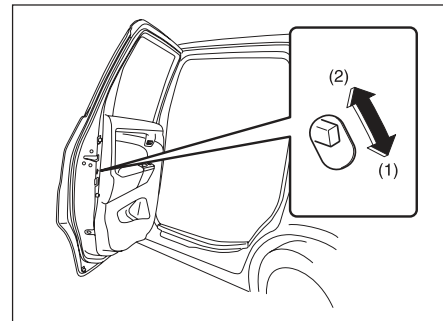
NOTE:

- If your vehicle is equipped with security system, all doors are automatically unlocked when you turn the ignition switch to the "LOCK" position and pull out the key.

2-3

- All doors are automatically closed for safety when the vehicle speed reaches 20 km/h.

Child-Proof Locks (rear door)



60M-02-007

- 1) LOCK
- 2) UNLOCK

Each of the rear doors is equipped with a child-proof lock which can be used to help prevent unwanted opening of the door from inside the vehicle. When the lock lever is in the "LOCK" position (1), the rear door can only be opened from outside. When the lock lever is in the "UNLOCK" position (2), the rear door can be opened from inside or outside.

▲ WARNING

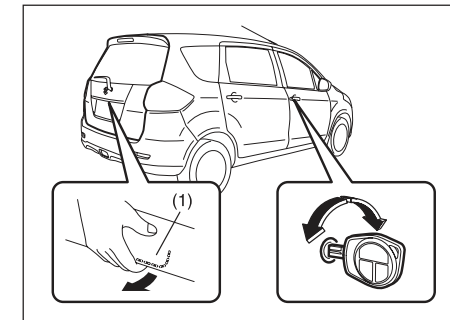
Be sure to place the child-proof lock in the "LOCK" position whenever children are seated in the rear.

Tailgate

▲ WARNING

Always make sure that the tailgate is closed and latched securely. Completely closing the tailgate helps prevent occupants from being thrown from the vehicle in the event of an accident. Completely closing it also helps keep exhaust gases from entering the vehicle.

Type 1

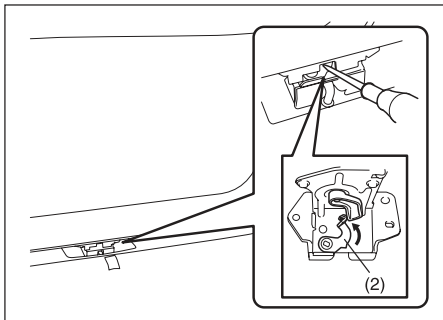


60M-02-008

You can lock and unlock the tailgate by using the key in the driver's door lock. To open the tailgate, pull up and hold the tailgate handle (1) and lift the tailgate. If you cannot unlatch the tailgate by pulling up the tailgate handle (1) due to a dis-

charged battery or malfunction, follow the procedures below to unlatch the tailgate from inside the vehicle.

- 1) Fold the 3rd row seat forward for easier access. Refer to "Folding Rear Seats" section for details on how to fold the 3rd row seat forward.



60M-02-009

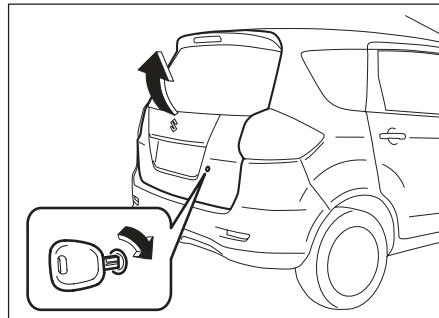
- 2) Push open the tailgate from inside by pushing up on the emergency lever (2) using a flat blade screwdriver or the jack handle. The tailgate will be latched again by closing the tailgate simply.

If the tailgate cannot be unlatched by pulling up the tailgate handle (1), have the vehicle inspected by your MARUTI SUZUKI dealer.

CAUTION

- To avoid injury, do not use your finger to push the emergency lever.
- Make sure there is no one near the tailgate when pushing open the tailgate from inside the vehicle.

Type 2

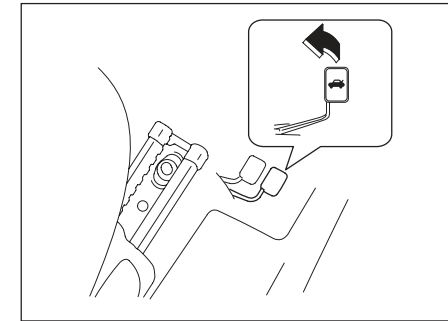


60M-02-010

To open the tailgate, insert the key and turn it clockwise to unlatch and lift the tailgate.

NOTICE

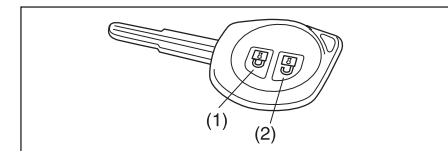
Do not use the key to lift up the tailgate, or the key may break off in the lock.



60M-02-011

You can also unlatch the tailgate by pulling the release lever located on the outboard side of the driver's seat.

Keyless Entry System Transmitter (if equipped)



60M-02-012

- 1) "LOCK" button
- 2) "UNLOCK" button

You can lock or unlock all doors (including the tailgate) simultaneously by operating the transmitter near the vehicle.

BEFORE DRIVING

76G-74E

- To lock the doors, push the "LOCK" button (1) on the transmitter.
- To unlock the doors, push the "UNLOCK" button (2) on the transmitter.

The turn signal lights will flash once when the doors are locked.

When the doors are unlocked:

- The turn signal lights will flash twice.
- If the interior light switch is in the "DOOR" position, the interior light will turn on for about 15 seconds and then fade out. If you insert the key into the ignition switch during this time, the light will start to fade out immediately.

Be sure the doors are locked after you operate the "LOCK" button (1).

NOTE:

If no door is opened within about 30 seconds after the "UNLOCK" button (2) is operated, the doors will automatically lock again.

NOTE:

- The maximum operating distance of the keyless entry system transmitter is about 5 m (16 ft.), but this can vary depending on the surroundings, especially near other transmitting devices such as radio towers or CB (Citizen's Band) radios.
- The door locks cannot be operated with the transmitter, if the ignition key is

inserted in the ignition switch.

- When any door is open, the door locks can be operated only unlock with the transmitter, and the turn signal light will not flash.
- If you lose one of the transmitters, ask your MARUTI SUZUKI dealer as soon as possible for a replacement. Be sure to have your dealer program the new transmitter code in your vehicle's memory so that the old code is erased.

NOTICE

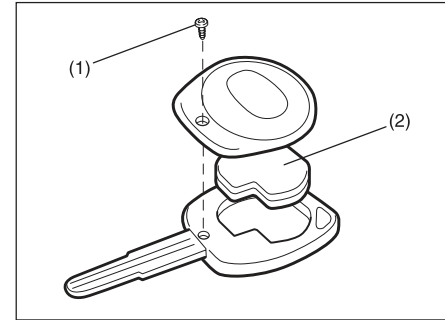
The transmitter is a sensitive electronic instrument. To avoid damaging the transmitter:

- Do not expose it to impacts, moisture or high temperature such as by leaving it on the dashboard under direct sunlight.
- Keep the transmitter away from magnetic objects such as a television.

Replacement of the Battery

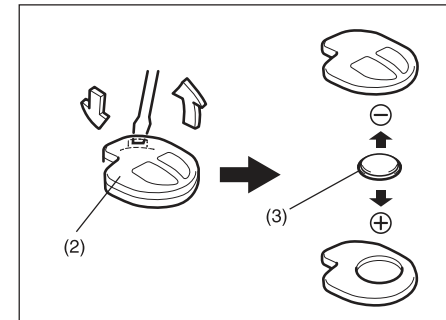
If the transmitter becomes unreliable, replace the battery.

To replace the battery of the transmitter:



60M-02-013

- 1) Remove the screw (1), and open the transmitter cover.
- 2) Remove the transmitter (2).



60M-02-014

- (3) Lithium disc type battery: CR1620 or equivalent

- 3) Put the edge of a flat blade screwdriver in the slot of the transmitter (2) and pry it open.
- 4) Replace the battery (3) so its + terminal faces the "+" mark of the transmitter.
- 5) Close the transmitter and install it into the transmitter holder.
- 6) Close the transmitter cover, install and tighten the screw (1).
- 7) Make sure the door locks can be operated with the transmitter.
- 8) Dispose of the used battery properly according to applicable rules or regulations. Do not dispose of lithium batteries with ordinary household trash.

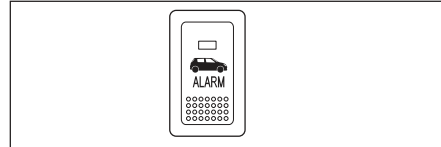
⚠ WARNING

Swallowing a lithium battery may cause serious internal injury. Do not allow anyone to swallow a lithium battery. Keep lithium batteries away from children and pets. If swallowed, contact a physician immediately.

NOTICE

The transmitter is a sensitive electronic instrument. To avoid damaging it, do not expose it to dust or moisture or tamper with internal parts.

Security System (if equipped)



60M-02-015

If your vehicle is equipped with the security system, contact your dealer for further information.

Windows Manual Window Control (if equipped)



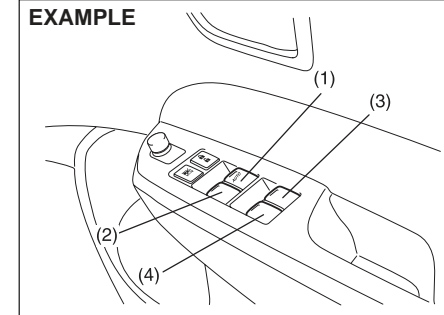
60M-02-016

Raise or lower the door windows by turning the handle located on the door panel.

Electric Window Controls (if equipped)

The electric windows can only be operated when the ignition switch is in the "ON" position.

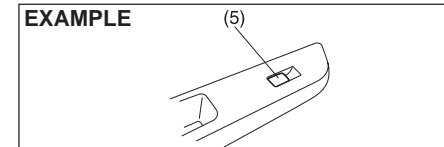
Driver's side



60M-02-017

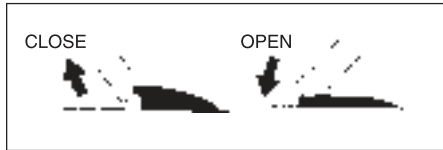
The driver's door has a switch (1) to operate the driver's window, and a switch (2) to operate the front passenger's window or there are switches (3), (4), to operate the rear right and left passenger windows, respectively.

Passenger's door



60M-02-018

The passenger's door has a switch (5) to operate the passenger's window.

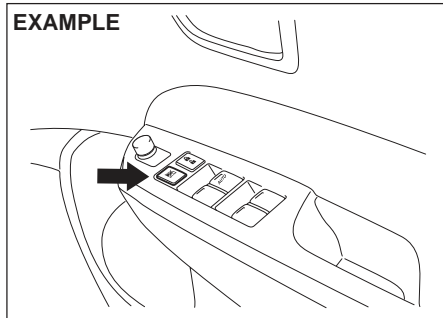


60M-02-019

To open a window, push the top part of the switch and to close the window lift up the top part of the switch.

The driver's window has an "auto-down" feature for added convenience (at toll booths or drive-through restaurants, for example). This means you can open the window without holding the window switch in the "Down" position. Press the driver's window switch completely down and release it. To stop the window before it reaches the bottom, pull the switch up briefly.

Lock switch



60M-02-020

The driver's door also has a lock switch for the passenger's windows. When you push in the lock switch, the passenger's windows cannot be raised or lowered by operating any of the switches (2), (3), (4) or (5). To restore normal operation, release the lock switch by pushing again.

⚠ WARNING

You should always lock the passenger's window operation when there are children in the vehicle. Children can be seriously injured if they get part of their body caught by the window during operation.

To avoid injuring an occupant by window entrapment, be sure no part of the occupant's body such as hands or head is in the path of the electric windows when closing them. Always remove the ignition key when leaving the vehicle even if only for a short time. Also do not leave children alone in a parked vehicle. Unattended children could use the electric window switches and get trapped by the window.

NOTE:

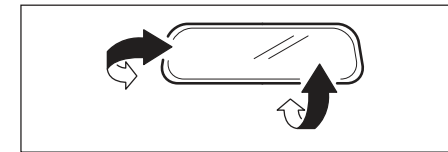
If you drive with one of the rear windows open, you may hear a loud sound caused by air vibration. To reduce the sound, open the driver's or front passenger's window, or narrow the rear window opening.

Mirrors

Inside Rearview Mirror

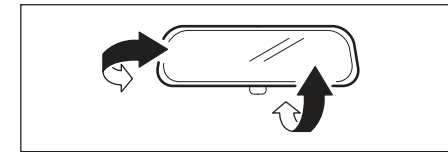
You can adjust the inside rearview mirror by hand so as to see the rear of your vehicle in the mirror.

Type 1

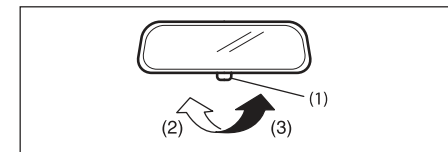


60M-02-021

Type 2



60M-02-022



60M-02-023

- 2) Day driving
- 3) Night driving

To adjust the mirror, set the selector tab (1) to the day position, then move the mirror up, down or sideways by hand to obtain the best view.

When driving at night, you can move the selector tab to the night position to reduce glare from the headlights of vehicles behind you.

⚠ WARNING

- Always adjust the mirror with the selector set to the day position.
- Only use the night position if it is necessary to reduce glare from the headlights of vehicles behind you. Be aware that in this position you may not be able to see some objects that could be seen in the day position.

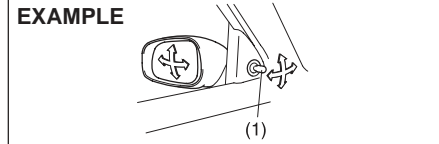
Outside Rearview Mirrors

Adjust the outside rearview mirrors so you can just see the side of your vehicle in the mirrors.

⚠ WARNING

Be careful when judging the size or distance of a vehicle or other object seen in the side convex mirror. Be aware that objects look smaller and appear farther away than when seen in a flat mirror.

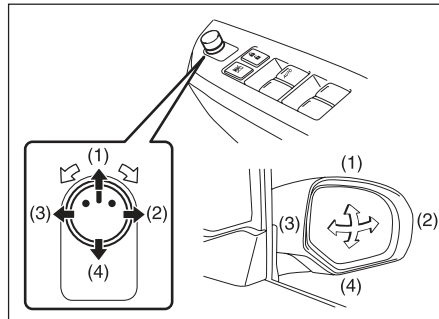
Type 1



60M-02-024

You can adjust the outside rearview mirrors by hand with the knob (1) located on the driver's or front passenger's door panel.

Type 2



60M-02-025

The switch to control the electric mirrors is located on the driver's door panel. You can adjust the mirrors when the ignition switch is in the "ACC" or "ON" position. To adjust the mirrors:

- 1) Move the selector switch to the left or right to select the mirror you wish to adjust.
- 2) Press the outer part of the switch that corresponds to the direction in which you wish to move the mirror.
- 3) Return the selector switch to the center position to help prevent unintended adjustment.

Front Seats

Seat Adjustment

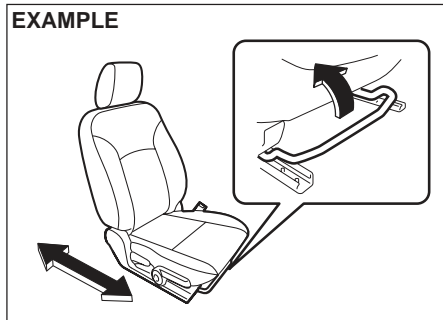
⚠ WARNING

Never attempt to adjust the driver's seat or seatback while driving. The seat or seatback could move unexpectedly, causing loss of control. Make sure that the driver's seat and seatback are properly adjusted before you start driving.

⚠ WARNING

To avoid excessive seat belt slack, which reduces the effectiveness of the seat belts as a safety device, make sure that the seats are adjusted before the seat belts are fastened.

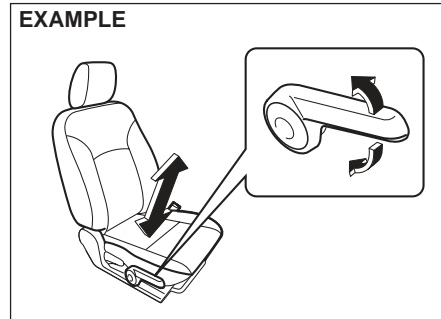
Adjusting Seat Position



60M-02-026

The adjustment lever for each front seat is located under the front of the seat. To adjust the seat position, pull up on the adjustment lever and slide the seat forward or rearward.

After adjustment, try to move the seat forward and rearward to ensure that it is securely latched.



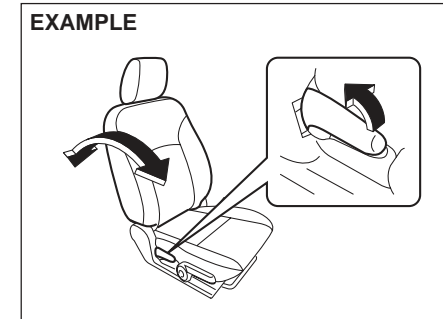
60M-02-027

If the driver's seat is equipped with a seat height adjuster lever on the outboard side of the seat, raise or lower the seat by pulling up or down the adjuster lever.

Adjusting Seatbacks

⚠ WARNING

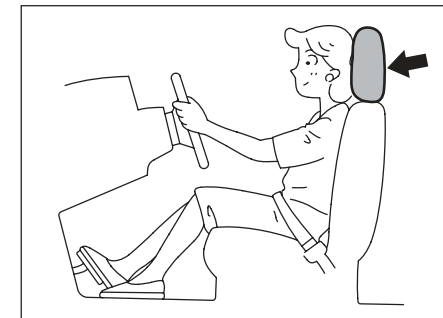
All seatbacks should always be in an upright position when driving, or seat belt effectiveness may be reduced. Seat belts are designed to offer maximum protection when seatbacks are in the upright position.



60M-02-028

To adjust the seatback angle of front seats, pull up the lever on the outboard side of the seat, move the seatback to the desired position, and release the lever to lock the seatback in place.

Head Restraints



60M-02-029
24

Head restraints are designed to help reduce the risk of neck injuries in the case of an accident. Adjust the head restraint to the position which places the center of the head restraint closest to the top of your ears. If this is not possible for very tall passengers, adjust the head restraint as high as possible.

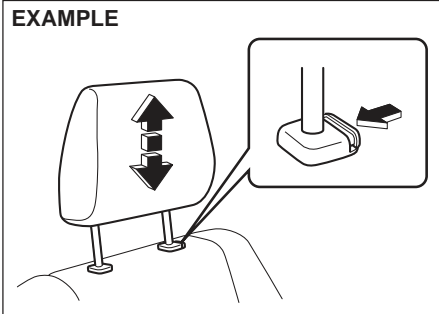
⚠ WARNING

- Never drive the vehicle with the head restraints removed.
- Do not attempt to adjust the head restraint while driving.

NOTE

It may be necessary to recline the seatback to provide enough overhead clearance to remove the head restraint.

Front



25

60M-02-030

To raise the front head restraint, pull upward on the restraint until it clicks. To lower the restraint, push down on the restraint while holding in the lock lever. If a head restraint must be removed (for cleaning, replacement, etc.), push in the lock lever and pull the head restraint all the way out.

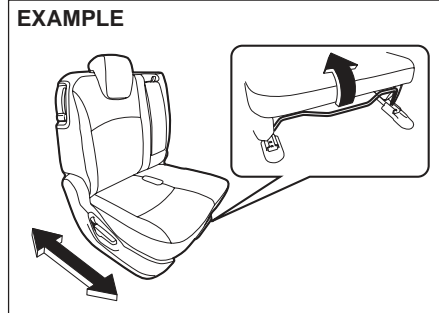
Rear Seats

Seat Adjustment

⚠ WARNING

To avoid excessive seat belt slack, which reduces the effectiveness of the seat belts as a safety device, make sure that the seats are adjusted before the seat belts are fastened.

Adjusting Seat Position (for 2nd row seats)



60M-02-031

The adjustment levers for 2nd row seats are located under the front of the seats. To adjust the seat position, pull up on the adjustment lever and slide the seat forward or rearward.

After adjustment, try to move the seat forward and rearward to ensure that it is securely latched.

NOTICE

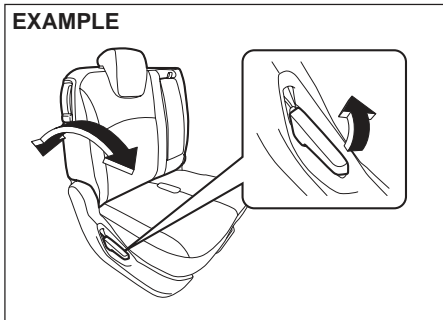
When the 3rd row seat is folded forward, adjust the 2nd row seat not to reach the 3rd row seat.

Adjusting Seatbacks

⚠ WARNING

All seatbacks should always be in an upright position when driving, or seat belt effectiveness may be reduced. Seat belts are designed to offer maximum protection when seatbacks are in the upright position.

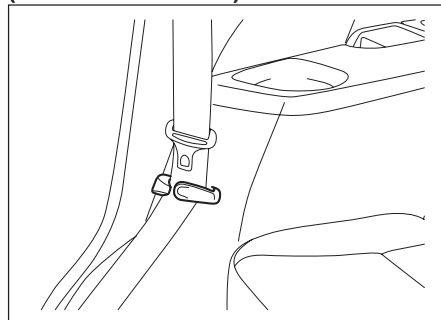
For 2nd row seats



60M-02-032

To adjust the seatback angle of 2nd row seats, pull up the lever on the outboard side of the seat, move the seatback to the desired position, and release the lever to lock the seatback in place.

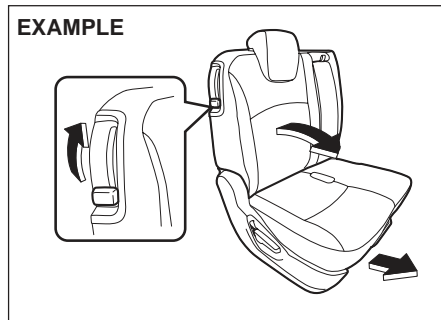
Walk-in Type Seats
(for 2nd row seats)



60M-02-033

NOTE:

To enter to or exit from the 3rd row seat, hook the webbing of the outboard lap-shoulder belt of 2nd row seat before moving the 2nd row seat.



60M-02-034

The walk-in type seat can be moved to provide easy entry to and exit from the 3rd row seats. You can move a walk-in seat by pulling up the lever on the outboard side of the seatback and pushing the seatback forward.

⚠ WARNING

- After using the walk-in function, be sure to return the folded seat back to an upright position.
- Before returning a walk-in seat to its normal seating position, make sure that the feet of the passenger in the 3rd row seat are out of the way.
- After returning the seat to its normal seating position, make sure it is securely latched.

Head Restraints (if equipped)

Head restraints are designed to help reduce the risk of neck injuries in the case of an accident.

⚠ WARNING

- Never drive the vehicle with the head restraints removed.
- Do not attempt to adjust the head restraint while driving.

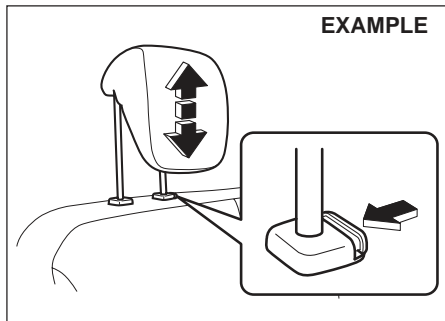
NOTE:

It may be necessary to fold forward the

seatback to provide enough overhead clearance to remove the head restraint.

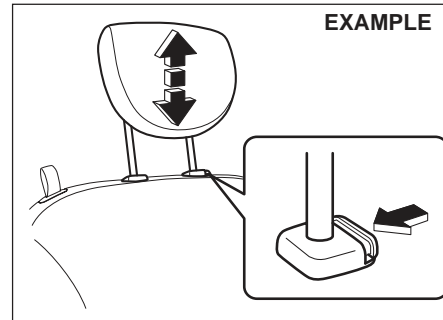
Adjust the head restraint to the position which places the center of the head restraint closest to the top of your ears. If this is not possible for very tall passengers, adjust the head restraint as high as possible.

2nd row seats (if equipped)



60M-02-035

3rd row seats (if equipped)



60M-02-036

To raise the rear head restraint, pull upward on the restraint until it clicks. To lower the restraint, push down on the restraint while holding in the lock lever. If a head restraint must be removed (for cleaning, replacement, etc.), push in the lock lever and pull the head restraint all the way out.

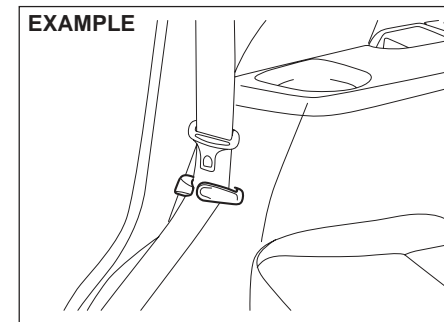
When installing a child restraint system, raise the head restraint to the most upper position.

Folding Rear Seats

The rear seat of your vehicle can be folded forward to provide additional cargo space.

2nd row seats

To fold the 2nd row seat forward:



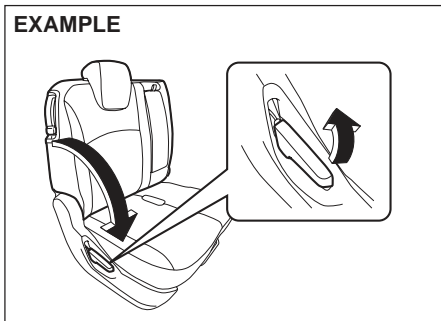
60M-02-037

- 1) Hook the webbing of the outboard lap-shoulder belts in the belt hangers.

NOTICE

- When you move a seatback, make sure the belt webbing is hooked in the seat belt hangers so the seat belts are not caught by the seatback. This helps prevent damage to the belt system.
- Make sure the belt webbing is not twisted.

- 2) Lower the head restraint (if equipped) fully.
- 3) Store the seat belt buckles in the seat cushion slit.



- 4) Pull up the lever on the outboard side of the seat, and fold the seatback forward.

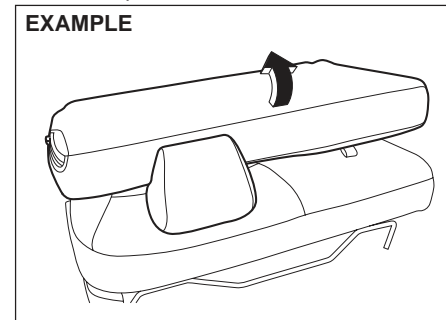
NOTICE

When the 2nd row seat head restraint reaches the front seatback, slide the front seat forward.

⚠ WARNING

If you need to carry cargo in the passenger compartment with the 2nd row seatback folded forward, be sure to secure the cargo or it may be thrown about, causing injury. Never pile cargo higher than the seatback.

To return the seat to the normal position, follow the procedure below.



Raise the seatback until it locks into place.

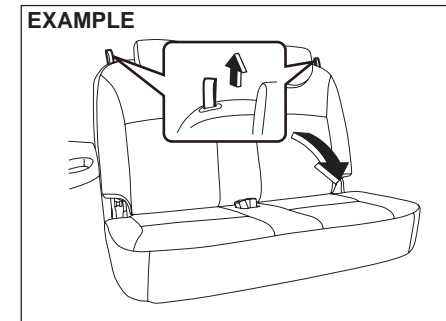
NOTE:
When the seatback is locked in the folded position, pull up the lever on the outboard side of the seat to unlatch the seatback.

After returning the seat, try moving the seatback to make sure they are securely latched.

3rd row seats

To fold the 3rd row seat forward:

- 1) Lower the head restraint (if equipped) fully.
- 2) Store the seat belt buckles in the seat cushion slit.



- 3) Pull up the both release straps on the top of seat, and fold the seatback forward.

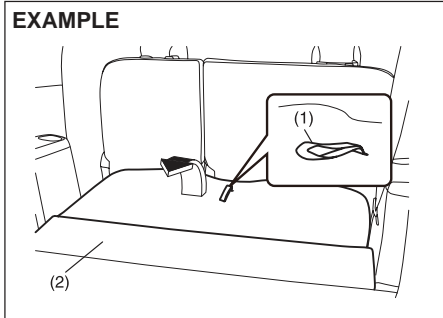
NOTICE

When the 3rd row seat head restraint reaches the 2nd row seatback, slide the 2nd row seat forward (if required remove head restraint).

⚠ WARNING

If you need to carry cargo in the passenger compartment with the 3rd row seatback folded forward, be sure to secure the cargo or it may be thrown about, causing injury. Never pile cargo higher than the seatback.

To return the seat to the normal position, follow the procedure below.



60M-02-041

Raise the seatback until it locks into place.

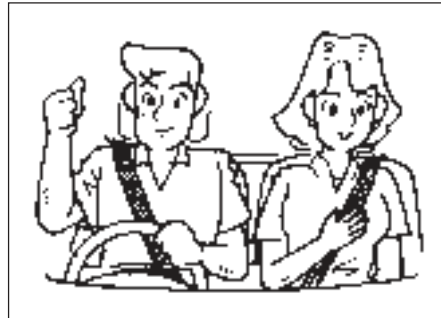
When you raise the seat from back of it, pull the strap (1).

NOTICE

Do not pull the luggage flap (2) (if equipped) or place any luggage when the luggage flap is pull toward rear. Otherwise, the luggage flap (2) will be damaged.

After returning the seat, try moving the seatback to make sure they are securely latched.

Seat Belts and Child Restraint Systems



60M-02-042

⚠ WARNING

Wear Your Seat Belts at All Times.

⚠ WARNING

An air bag supplements, or adds to, the frontal crash protection offered by seat belts. The driver and all passengers must be properly restrained by wearing seat belts at all times, whether or not an air bag is mounted at their seating position, to minimize the risk of severe injury or death in the event of a crash.

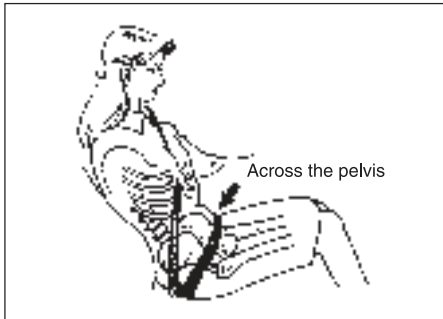


60M-02-043

⚠ WARNING

- Never allow persons to ride in the cargo area of a vehicle. In the event of an accident, there is a much greater risk of injury for persons who are not riding in a seat with their seat belt securely fastened.
- Seat belts should always be adjusted as follows:
 - the lap portion of the belt should be worn low across the pelvis, not across the waist.
 - the shoulder straps should be worn on the outside shoulder only, and never under the arm.
 - the shoulder straps should be away from your face and neck, but not falling off your shoulder.





60M-02-044



60M-02-045

⚠ WARNING

- Seat belts should never be worn with the straps twisted and should be adjusted as tightly as is comfortable to provide the protection for which they have been designed. A slack belt will provide less protection than one which is snug.
- Make sure that each seat belt buckle is inserted into the proper buckle catch. It is possible to cross the buckles in the rear seat.

⚠ WARNING

- Pregnant women should use seat belts, although specific recommendations about driving should be made by the woman's medical advisor. Remember that the lap portion of the belt should be worn as low as possible across the hips, as shown in the diagram.
- Do not wear your seat belt over hard or breakable objects in your pockets or on your clothing. If an accident occurs, objects such as glasses, pens, etc. under the seat belt can cause injury.
- Never use the same seat belt on more than one occupant and never attach a

⚠ WARNING

- Do not wear a seat belt over an infant or child being held on an occupant's lap. Such seat belt use could cause serious injury in the event of an accident.
- Periodically inspect seat belt assemblies for excessive wear and damage. Seat belts should be replaced if webbing becomes frayed, contaminated, or damaged in any way. It is essential to replace the entire seat belt assembly after it has been worn in a severe impact, even if damage to the assembly is not obvious.
- Children age 12 and under should ride properly restrained in the rear seat.
- Infants and small children should never be transported unless they are properly restrained. Restraint systems for infants and small children can be purchased locally and should be used. Make sure that the system you purchase meets applicable safety standards. Read and follow all the directions provided by the manufacturer.
- For children, if the shoulder belt irritates the neck or face, move the child closer to the center of the vehicle.
- Avoid contamination of seat belt

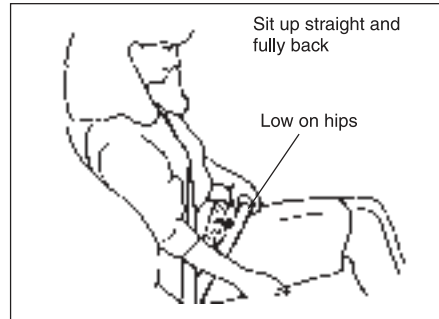
⚠ WARNING

webbing by polishes, oils, chemicals, and particularly battery acid. Cleaning may safely be carried out using mild soap and water.

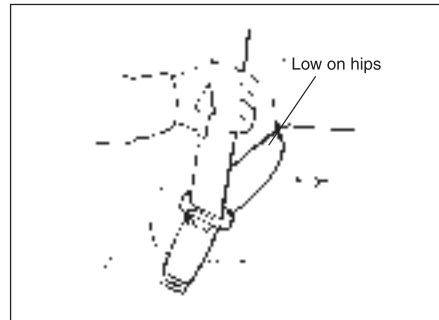
- Do not insert any items such as coins, clips, etc. into the seat belt buckles, and be careful not to spill liquids into these parts. If foreign materials get into a seat belt buckle, the seat belt may not work properly.
- All seatbacks should always be in an upright position when driving, or seat belt effectiveness may be reduced. Seat belts are designed to offer maximum protection when seatbacks are in the upright position.

Lap-Shoulder Belt**Emergency Locking Retractor (ELR)**

The seat belt has an emergency locking retractor (ELR), which is designed to lock the seat belt only during a sudden stop or impact. It also may lock if you pull the belt across your body very quickly. If this happens, let the belt go back to unlock it, then pull the belt across your body more slowly.

Safety reminder

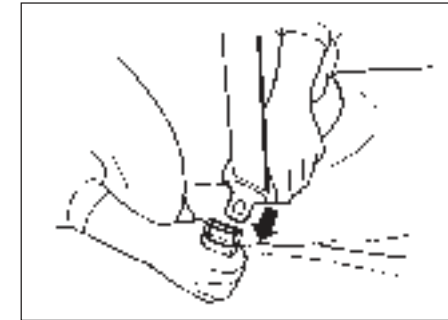
60M-02-046



60M-02-047

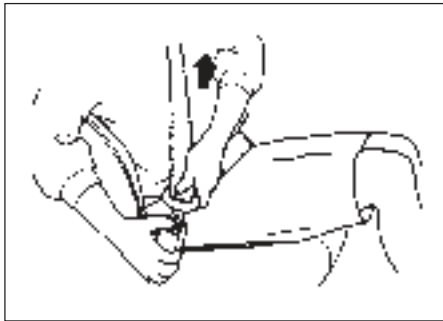
To reduce the risk of sliding under the belt during a collision, position the lap portion of the belt across your lap as low on your hips as possible and adjust it to a snug fit by pulling the shoulder portion of the belt upward through the latch plate. The length

of the diagonal shoulder strap adjusts itself to allow freedom of movement.

All Seat Belts Except Center of 2nd Row Seat

60M-02-048

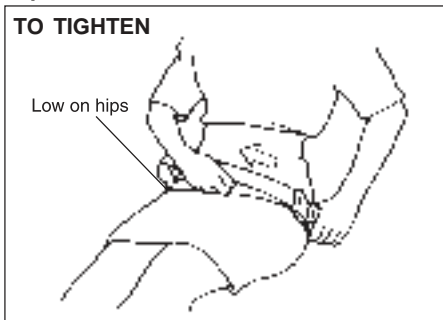
To fasten the seat belt, sit up straight and well back in the seat, pull the latch plate attached to the seat belt across your body and press it straight into the buckle until you hear a "click".



60M-02-049

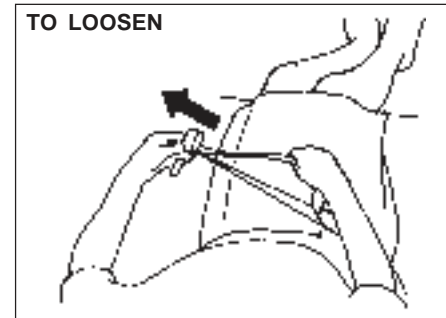
To unfasten the seat belt, push the button on the buckle and retract the belt slowly while attaching a hand to the belt or/and the latch plate.

Center Seat Belt of 2nd Row Seat Lap belt



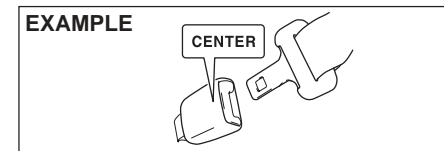
60M-02-050

Sit up straight and well back in the seat. To fasten the belt, pull the latch plate attached to the seat belt across your hips and press it straight into the buckle until you hear a "click". To reduce the risk of sliding under the belt during a collision, position the belt across your lap as low on your hips as possible and adjust it to a snug fit. To tighten the belt, pull the free end of the belt across alongside the lap strap.



60M-02-051

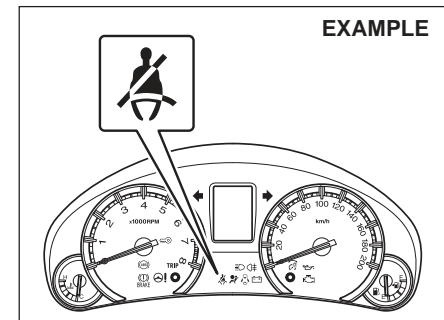
To lengthen, release the latch plate from the buckle, pull the latch plate (adjuster) in the direction of the arrow. The latch plate should then be refitted into the buckle and the belt tightened as previously described.



60M-02-052

NOTE:
The word "CENTER" is marked into the buckle for the rear center belt. The buckles are designed so a latch plate cannot be inserted into the wrong buckle.

Driver's Seat Belt Reminder



60M-02-053

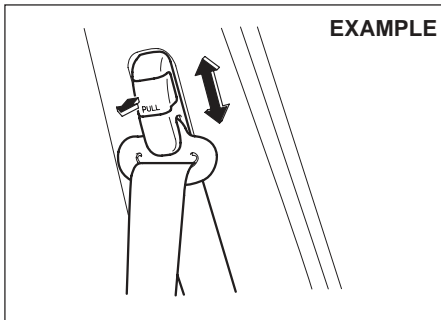
When the driver does not buckle his or her seat belt with the ignition switch in the "ON" position, the driver's seat belt reminder light in the instrument cluster will blink until the driver's seat belt is buckled.

The reminder will be automatically canceled when the driver's seat belt is buckled or the ignition switch is turned off.

⚠ WARNING

It is absolutely essential that the driver and passengers wear their seat belts at all times. Persons who are not wearing seat belts have a much greater risk of injury if an accident occurs. Make a regular habit of buckling your seat belt before putting the key in the ignition.

Shoulder Anchor Height Adjuster (if equipped)



60M-02-054

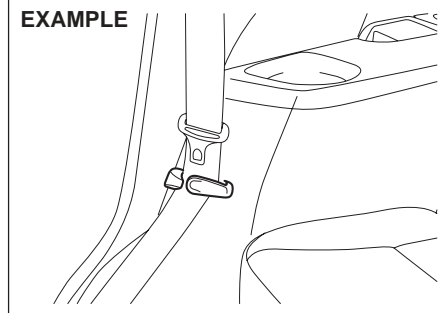
Adjust the shoulder anchor height so that the shoulder belt rides on the center of the

outboard shoulder. To move upward, slide the anchor up. To move downward, slide the anchor down while pulling the lock knob out. After adjustment, make sure that the anchor is securely locked.

⚠ WARNING

Be sure that the shoulder belt is positioned on the center of the outside shoulder. The belt should be away from your face and neck, but not falling off your shoulder. Misadjustment of the belt could reduce the effectiveness of the safety belt in a crash.

Seat Belt Hanger (for 2nd row seats)



60M-02-055

NOTE:

To enter to or exit from the 3rd row seat, hook the webbing of the outboard lap-

shoulder belt of 2nd row seat before moving the 2nd row seat.

Seat Belt Inspection

EXAMPLE



60M-02-056

Periodically inspect the seat belts to make sure they work properly and are not damaged. Check the webbing, buckles, latch plates, retractors, anchorages, and guide loops. Replace any seat belts which do not work properly or are damaged.

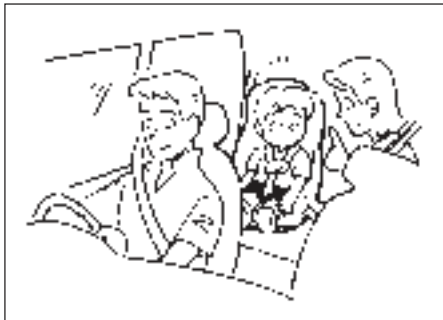
⚠ WARNING

Be sure to inspect all seat belt assemblies after any collision. Any seat belt assembly which was in use during a collision (other than a very minor one) should be replaced, even if damage to the assembly is not



⚠ WARNING
 ← obvious. Any seat belt assembly which was not in use during a collision should be replaced if it does not function properly, it is damaged in any way or the seat belt pretensioners (if equipped) were activated (that is, if the front air bags were activated).

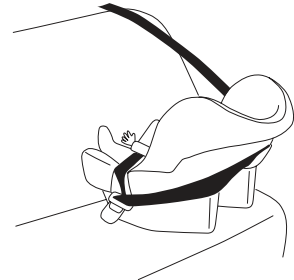
Child Restraint Systems



60M-02-057

Infant restraint - rear seat only

EXAMPLE



60M-02-058

Child restraint

EXAMPLE



60M-02-059

Booster seat

EXAMPLE



60M-02-060

MARUTI SUZUKI highly recommends that you use a child restraint system to restrain infants and small children. Many different types of child restraint systems are available; make sure that the restraint system you select meets applicable safety standards.

All child restraint systems are designed to be secured in vehicle seats by either seat belts (lap belts or the lap portion of lap-shoulder belts). Whenever possible, MARUTI SUZUKI recommends that child restraint systems be installed on the rear seat. According to accident statistics, children are safer when properly restrained in rear seating positions than in front seating positions.

If you must use a front-facing child restraint in the front passenger's seat, adjust the passenger's seat as far back as possible.

NOTE:

Observe any statutory regulation about child restraints.



60M-02-061

⚠ WARNING

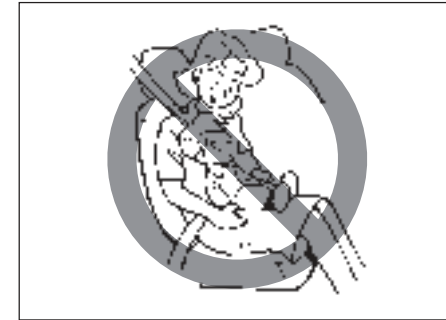
If your vehicle is equipped with a front passenger air bag, do not install a rear-facing child restraint in the front passenger's seat. If the passenger's air bag inflates, a child in a rear-facing child restraint could be killed or seriously injured. The back of a rear-facing child restraint would be too close to the inflating air bag.

⚠ WARNING

If you install a child restraint system in the 2nd row seat, slide the seat installed the child restraint system as far back as possible. If you install a child restraint system in the 3rd row seat, slide the seat in front of the seat installed a child restraint system enough forward so that the child's feet do not contact the front seatback. These will help avoid injury to the child in the event of an accident.



60M-02-062



60M-02-063

⚠ WARNING

Children could be endangered in a crash if their child restraint systems are not properly secured in the vehicle. When installing a child restraint system, be sure to follow the instructions below. Be sure to secure the child in the restraint system according to the manufacturer's instructions.

⚠ WARNING

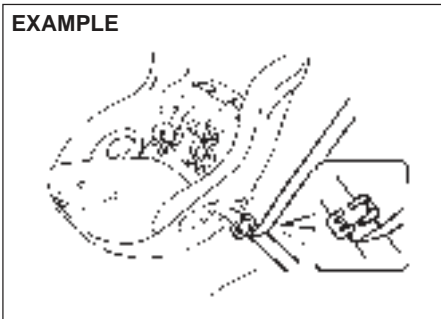
In an accident or sudden stop, the rear seat armrest (if equipped) could fall forward. If there is a child in a rear-facing child restraint in the center seating position, the falling armrest could injure the child. Make sure the armrest is back in the seat when not in use.

Installation with Lap-Shoulder Seat Belts

NOTICE

Before installing a child restraint system in the rear seat, raise the head restraint (if equipped) to the most upper position.

ELR type belt



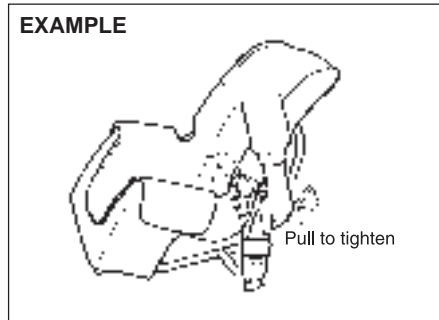
60M-02-064

Install your child restraint system according to the instructions provided by the child restraint system manufacturer.

Make sure that the seat belt is securely latched.

Try to move the child restraint system in all directions to make sure it is securely installed.

Installation with a Lap Belt

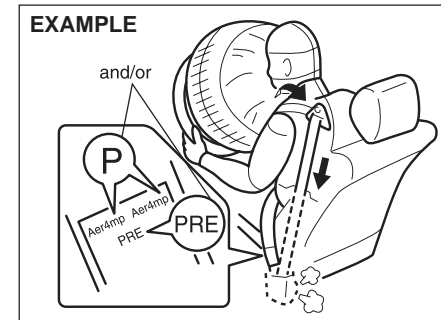


60M-02-065

Install your child restraint system according to the instructions provided by the child restraint system manufacturer.

To lengthen or tighten the belt, refer to the "Lap-belt" item in this "Seat Belts and Child Restraint Systems" section. After making sure that the seat belt is securely latched, try moving the child restraint system in all directions, to make sure it is securely installed. If you need to tighten the belt, pull the free end of the webbing.

Seat Belt Pretensioner System (if equipped)



60M-02-066

⚠ WARNING

This section of the owner's manual describes your MARUTI SUZUKI SEAT BELT PRETENSIONER SYSTEM. Please read and follow ALL these instructions carefully to minimize your risk of severe injury or death.

To determine if your vehicle is equipped with a seat belt pretensioner system at the front seating positions, check the label on the front seat belt at the bottom part. If the letters "p" and/or "PRE" appear as illustrated, your vehicle is equipped with the seat belt pretensioner system. You can use the pretensioner seat belts in the same manner as ordinary seat belts.

Read this section and the “Supplemental Restraint System (air bags)” section to learn more about the pretensioner system.

The seat belt pretensioner system works with the SUPPLEMENTAL RESTRAINT SYSTEM (Air Bags). The crash sensors and the electronic controller of the air bag system also control the seat belt pretensioners. When the air bags are triggered, the pretensioner are also triggered. For precautions and general information including servicing the pretensioner system, refer to the “Supplemental Restraint System (air bags)” section in addition to this “Seat Belt Pretensioner System” section, and follow all those precautions.

The pretensioner is located in each front seat belt retractor. The pretensioner tightens the seat belt so the belt fits the occupant’s body more snugly in the event of a frontal crash. The retractors will remain locked after the pretensioners are activated. Upon activation, some noise will occur and some smoke may be released. These conditions are not harmful and do not indicate a fire in the vehicle.

The driver and all passengers must be properly restrained by wearing seat belts at all times, whether or not a pretensioner is equipped at their seating position, to minimize the risk of severe injury or death in the event of a crash.

37

Sit fully back in the seat; sit up straight; do not lean forward or sideways. Adjust the belt so the lap portion of the belt is worn low across the pelvis, not across the waist. Please refer to the “Seat Adjustment” section and the instructions and precautions about the seat belts in this “Seat Belts and Child Restraint Systems” section for details on proper seat and seat belt adjustments.

Please note that the pretensioners along with the air bags will activate in severe frontal collisions. They are not designed to activate in rear impacts, side impacts, rollovers, or minor frontal collisions. The pretensioners can be activated only once. If the pretensioners are activated (that is, if the air bags are activated), have the pretensioner system serviced by an authorized MARUTI SUZUKI dealer as soon as possible.

If the “AIR BAG” light on the instrument cluster does not blink or come on briefly when the ignition switch is turned to the “ON” position, stays on for more than 10 seconds, or comes on while driving, the pretensioner system or the air bag system may not work properly. Have both systems inspected by an authorized MARUTI SUZUKI dealer as soon as possible.

Service on or around the pretensioner system components or wiring must be performed only by an authorized MARUTI

SUZUKI dealer who is specially trained. Improper service could result in unintended activation of pretensioners or could render the pretensioner inoperative. Either of these two conditions may result in personal injury.

To prevent damage or unintended activation of the pretensioners, be sure the battery is disconnected and the ignition switch has been in the “LOCK” position for at least 90 seconds before performing any electrical service work on your MARUTI SUZUKI.

Do not touch pretensioner system components or wiring. The wires are wrapped with yellow tape or yellow tubing, and the couplers are yellow. When scrapping your MARUTI SUZUKI, ask your MARUTI SUZUKI dealer, body repair shop, or scrap yard for assistance.

Supplemental Restraint System (air bags) (if equipped)

▲ WARNING

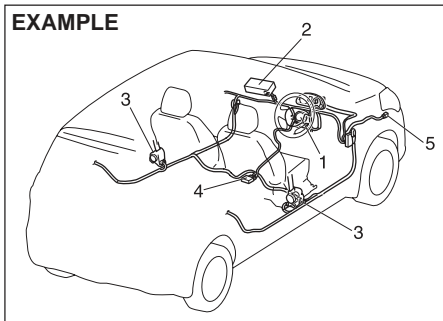
This section of the owner’s manual describes the protection provided by your MARUTI SUZUKI’s SUPPLEMENTAL RESTRAINT SYSTEM (air bags). Please read and follow ALL these instructions carefully to minimize your risk of severe injury or death in the event of a collision.

BEFORE DRIVING

76G-74E

Your vehicle is equipped with a Supplemental Restraint System consisting of the following components in addition to a lap-shoulder belt at each front seating position.

- 1) Driver's front air bag module (if equipped)
- 2) Front passenger's front air bag module (if equipped)
- 3) Seat belt pretensioners (if equipped)
- 4) Air bag controller (if equipped)
- 5) Forward crash sensor (if equipped)



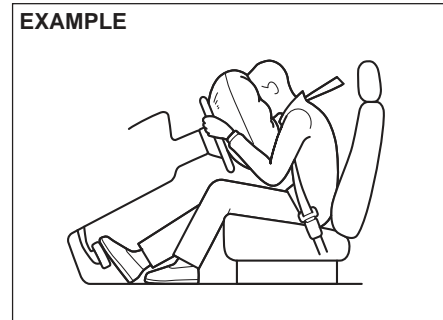
60M-02-067



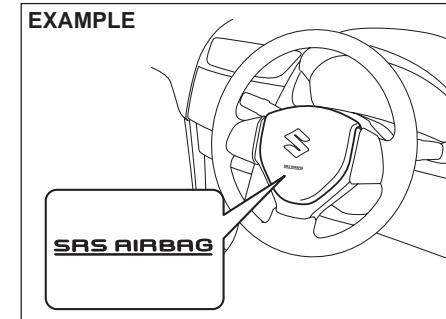
60M-02-068

If the "AIR BAG" light on the instrument cluster does not blink or come on when the ignition switch is first turned to the "ON" position, or the "AIR BAG" light stays on, or comes on while driving, the air bag system (or the seat belt pretensioner system) may not work properly. Have the air bag system inspected by an authorized MARUTI SUZUKI dealer as soon as possible.

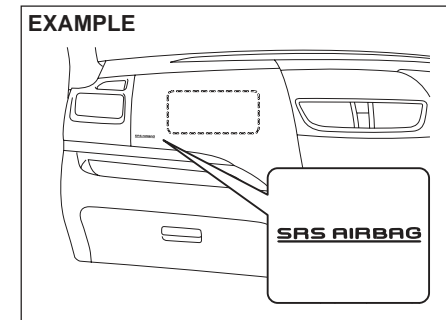
Front Air Bags



60M-02-069



60M-02-070



60M-02-071

The driver's front air bag is located behind the center pad of the steering wheel and the front passenger's front air bag is located behind the passenger's side of the dashboard. The words "SRS AIRBAG" are molded into the air bag covers to identify the location of the air bags.

38

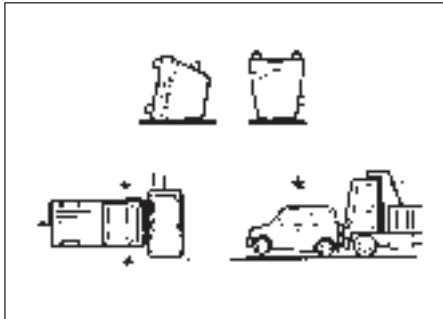
Frontal collision range



60M-02-072

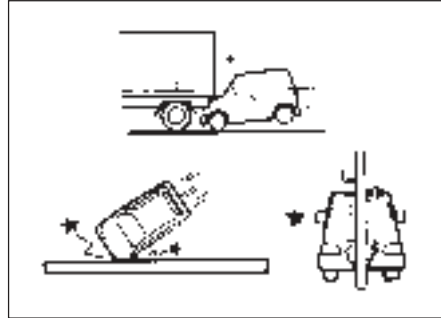
Front air bags are designed to inflate in severe frontal collisions.

Front air bags will not inflate



60M-02-073

Front air bags will probably not inflate



60M-02-074

Front air bags are not designed to inflate in rear impacts, side impacts, rollovers or minor frontal collisions, since they would offer no protection in those types of accidents. Remember, since an air bag deploys only one time during an accident, seat belts are needed to restrain occupants from further movements during the accident.

Therefore, an air bag is NOT a substitute for seat belts. To maximize your protection, ALWAYS WEAR YOUR SEAT BELTS. Be aware that no system can prevent all possible injuries that may occur in an accident.

⚠ WARNING

An air bag supplements, or adds to, the crash protection offered by seat



⚠ WARNING



belts. The driver and all passengers must be properly restrained by wearing seat belts at all times, whether or not an air bag is mounted at their seating position, to minimize the risk of severe injury or death in the event of a crash.



60M-02-075

⚠ WARNING

Do not install a rear-facing child restraint in the front passenger's seat. If the passenger's front air bag inflates, a child in a rear-facing child restraint could be killed or severely injured. The back of a rear-facing child restraint would be too close to the inflating air bag.

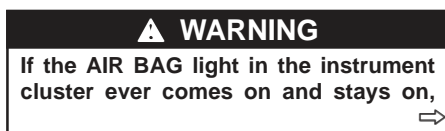
If you must use a front-facing child restraint in the front passenger's seat, be sure to move the front passenger's seat as far back as possible. Please refer to "Seat Belts and Child Restraint Systems" in this section for details on securing your child.

Air bag symbol (if equipped) meaning



60M-02-076

You may find this label on the sun visor.



WARNING

← it means that something may be wrong with the air bag system. If this ever happens, have the vehicle serviced immediately, because the air bags may not offer the protection for which they were designed.

How the System Works

In a frontal collision, the crash sensors will detect rapid deceleration, and if the controller judges that the deceleration represents a severe frontal crash, the controller will trigger the inflators. The inflators inflate the appropriate air bags with nitrogen or argon gas. The inflated air bags provide a cushion for your head and upper body. The air bag inflates and deflates so quickly that you may not even realize that it has activated. The air bag will neither hinder your view nor make it harder to exit the vehicle.

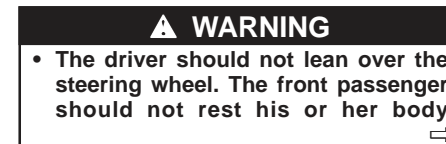
Air bags must inflate quickly and forcefully in order to reduce the chance of serious or fatal injuries. However, an unavoidable consequence of the quick inflation is that the air bag may irritate bare skin, such as the facial area against a front air bag. Also, upon inflation, a loud noise will occur and some powder and smoke will be released. These conditions are not harmful and do not indicate a fire in the vehicle. Be aware,

however, that some air bag components may be hot for a while after inflation.

A seat belt helps keep you in the proper position for maximum protection when an air bag inflates. Adjust your seat as far back as possible while still maintaining control of the vehicle. Sit fully back in your seat; sit up straight; do not lean over the steering wheel or dashboard. Please refer to the "Seat Adjustment" section and the "Seat Belts and Child Restraint Systems" in this section for details on proper seat and seat belt adjustments.



60M-02-077



⚠ WARNING

against the dashboard, or otherwise get too close to the dashboard. In these situations, the out-of-position occupant would be too close to an inflating air bag, and may suffer severe injury.

- Do not attach any objects to, or place any objects over, the steering wheel or dashboard. Do not place any objects between the air bag and the driver or front passenger. These objects may interfere with air bag operation or may be propelled by the air bag in the event of a crash. Either of these conditions may cause severe injury.

Note that even though your vehicle may be moderately damaged in a collision, the collision may not have been severe enough to trigger the air bags to inflate. If your vehicle sustains ANY front-end or side damage, have the air bag system inspected by an authorized MARUTI SUZUKI dealer to ensure it is in proper working order.

Your vehicle is equipped with a diagnostic module which records information about the air bag system if the air bags deploy in a crash. The module records information about overall system status, which sensors activated the deployment.

41

Servicing the air bag system

If the air bags inflate, have the air bags and related components replaced by an authorized MARUTI SUZUKI dealer as soon as possible.

If your vehicle ever gets in deep water and the driver's floor is submerged, the air bag controller could be damaged. If it does, have the air bag system inspected by the MARUTI SUZUKI dealer as soon as possible.

Special procedures are required for servicing or replacing an air bag. For that reason, only an authorized MARUTI SUZUKI dealer should be allowed to service or replace your air bags. Please remind anyone who services your MARUTI SUZUKI that it has air bags.

Service on or around air bag components or wiring must be performed only by an authorized MARUTI SUZUKI dealer. Improper service could result in unintended air bag deployment or could render the air bag inoperative. Either of these two conditions may result in severe injury.

To prevent damage or unintended inflation of the air bag system, be sure the battery is disconnected and the ignition switch has been in the "LOCK" position for at least 90 seconds before performing any electrical service work on your MARUTI SUZUKI. Do

not touch air bag system components or wires. The wires are wrapped with yellow tape or yellow tubing, and the couplers are yellow for easy identification.

Scrapping a vehicle that has an uninflated air bag can be hazardous. Ask your dealer, body repair shop or scrap yard for help with disposal.

BEFORE DRIVING

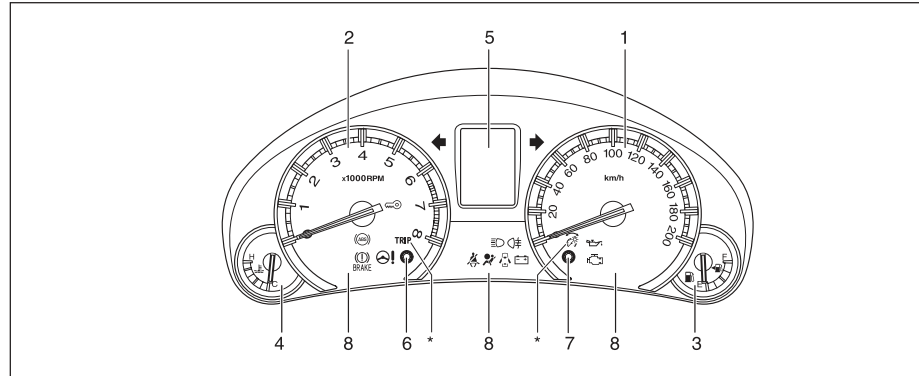
76G-74E

Instrument Cluster

1. Speedometer
2. Tachometer (if equipped)
3. Fuel gauge
4. Temperature gauge
5. Information display
6. Trip meter selector knob
7. Indicator selector knob
8. Warning and indicator lights

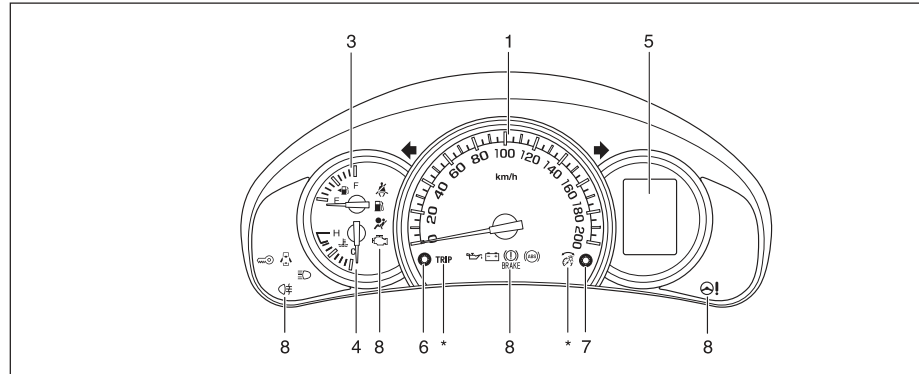
* These marks are explanation of the knobs 6 and 7. Refer to "Brightness Control" or "Information Display" in this section for detail of knobs.

with tachometer



60M-02-078

without tachometer



* These marks are explanation of the knobs 6 and 7. Refer to "Brightness Control" or "Information Display" in this section for detail of knobs.

60M-02-079

42

Warning and Indicator Lights

Brake System Warning Light



60M-02-080

Three different types of operations exist depending on the vehicle's specification.

- 1) The light comes on briefly when the ignition switch is turned to the "ON" position.
- 2) The light comes on when the parking brake is engaged with the ignition switch in the "ON" position.
- 3) The light comes on when under either or both of above two conditions.

The light also comes on when the fluid in the brake fluid reservoir falls below the specified level.

The light should go out after starting the engine and fully releasing the parking brake, if the fluid level in the brake fluid reservoir is adequate.

The light also comes on together with the ABS warning light when the rear brake force control function (proportioning valve function) of the ABS system fails.

43

If the brake system warning light comes on while you are driving the vehicle, it may mean that there is something wrong with the vehicle's brake system. If this happens, you should:

- 1) Pull off the road and stop carefully.

⚠ WARNING

Remember that stopping distance may be longer, you may have to push harder on the pedal, and the pedal may go down farther than normal.

- 2) Test the brakes by carefully starting and stopping on the shoulder of the road.
 - If you determine that it is safe, drive cautiously at low speed to the nearest dealer for repairs, or
 - Have the vehicle towed to the nearest dealer for repairs.

⚠ WARNING

If any of the following conditions occur, you should immediately ask your MARUTI SUZUKI dealer to inspect the brake system.

- If the brake system warning light does not go out after the engine has been started and the parking brake has been fully released.
- If the brake system warning light



⚠ WARNING



does not come on when the ignition switch is turned to the "ON" position.

- If the brake system warning light comes on at any time during vehicle operation.

NOTE:

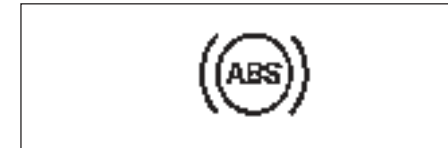
Because the brake system is self-adjusting, the fluid level will drop as the brake pads become worn. Replenishing the brake fluid reservoir is considered normal periodic maintenance.

NOTE:

(Parking Brake Reminder Buzzer)

A buzzer sounds intermittently to remind you to release the parking brake if you drive the vehicle without releasing the parking brake. Make sure that the parking brake is fully released and the brake system warning light turns off.

Anti-Lock Brake System (ABS) Warning Light (if equipped)



60M-02-081

2-28

When the ignition switch is turned to the "ON" position, the light comes on briefly so you can check that the light is working. If the light stays on, or comes on when driving, there may be something wrong with the ABS.

If this happens:

- 1) Pull off the road and stop carefully.
- 2) Turn the ignition switch to "LOCK" and then start the engine again.

If the warning light comes on briefly then turns off, the system is normal. If the warning light still stays on, there is something wrong in the system.

If the light and the brake system warning light stay on, or come on simultaneously when driving, your ABS system is equipped with the rear brake force control function (proportioning valve function) and there may be something wrong with both the rear brake force control function and anti-lock function of the ABS system.

If one of these happens, have the system inspected by your MARUTI SUZUKI dealer.

If the ABS becomes inoperative, the brake system will function as an ordinary brake system that does not have this ABS system.

For details of ABS system, refer to "Anti-Lock Brake System (ABS) (if equipped)" in

2-29

the "OPERATING YOUR VEHICLE" section.

Oil Pressure Light



60M-02-082

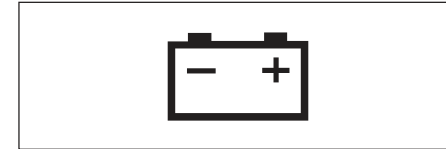
This light comes on when the ignition switch is turned to the "ON" position, and goes out when the engine is started. The light will come on and remain on if there is insufficient oil pressure. If the light comes on when driving, pull off the road as soon as you can and stop the engine.

Check the oil level and add oil if necessary. If there is enough oil, the lubrication system should be inspected by your MARUTI SUZUKI dealer before you drive the vehicle again.

NOTICE

- **If you operate the engine with this light on, severe engine damage can result.**
- **Do not rely on the oil pressure light to indicate the need to add oil. Be sure to periodically check the engine oil level.**

Charging Light



60M-02-083

This light comes on when the ignition switch is turned to the "ON" position, and goes out when the engine is started. The light will come on and remain on if there is something wrong with the battery charging system. If the light comes on when the engine is running, the charging system should be inspected immediately by your MARUTI SUZUKI dealer.

Driver's seat Belt Reminder Light



60M-02-084

If the driver's seat belt is unbuckled when the ignition switch is turned to the "ON" position, this light will blink until the driver's seat belt is buckled.

For details about the seat belt reminder, refer to "Seat Belts and Child Restraint Systems" in this section.

“AIR BAG” Light (if equipped)

60M-02-085

This light blinks or comes on for several seconds when the ignition switch is turned to the “ON” position so you can check if the light is working.

The light will come on and stay on if there is a problem in the air bag system or the seat belt pretensioner system (if equipped).

▲ WARNING

If the “AIR BAG” light does not blink or come on briefly when the ignition switch is turned to the “ON” position, stays on for more than 10 seconds, or comes on while driving, the air bag system or the seat belt pretensioner system (if equipped) may not work properly. Have both systems inspected by an authorized MARUTI SUZUKI dealer.

Malfunction Indicator Light

60M-02-086

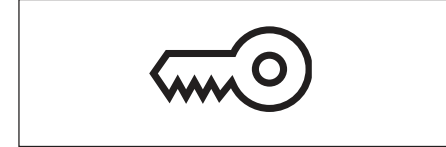
Your vehicle has a computer-controlled emission control system. A malfunction indicator light is provided on the instrument panel to indicate when it is necessary to have the emission control system serviced. The malfunction indicator light comes on when the ignition switch is turned to the “ON” position to let you know the light is working and goes out when the engine is started.

If the malfunction indicator light comes on or blinks when the engine is running, there is a damage in the emission control system.

Bring the vehicle to your MARUTI SUZUKI dealer to have the damage fixed.

NOTICE

Continuing to drive the vehicle when the malfunction indicator light is on or blinking can cause permanent damage to the vehicle’s emission control system, and can affect fuel economy and driveability.

Immobilizer System Light

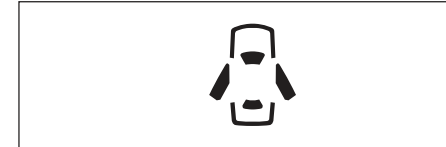
60M-02-087

When the ignition switch is turned to the “ON” position, this light comes on briefly so you can check that the light is working. If this light blinks with the ignition switch is turned to the “ON”, the engine will not start.

NOTE:

If this light blinks, turn the ignition switch to the “LOCK” position, then turn it back to the “ON” position.

If the light still blinks with the ignition switch turned to the “ON” position, there may be something wrong with your key or with the immobilizer system. Ask your MARUTI SUZUKI dealer to inspect the system.

Open Door Warning Light

60M-02-088

2-30

- For vehicles without keyless entry system; This light remains on until all front doors and the tailgate are completely closed. If any door (including the tailgate) is open when the vehicle is moving, a ding sounds to remind you to close all doors completely.
- For vehicles with keyless entry system; This light remains on until all doors (including the tailgate) are completely closed. If any door (including the tailgate) is open when the vehicle is moving, a ding sounds to remind you to close all doors completely.

Low Fuel Warning Light



60M-02-089

If this light comes on, fill the fuel tank immediately.

When this light comes on, a ding sounds once to remind you to fill the fuel.

If you do not fill the fuel, a ding sounds every time when the ignition switch is turned

to the “ON” position.

NOTE:

The activation point of this light varies depending on road conditions (for example, slope or curve) and driving conditions because of fuel moving in the tank.

Electric Power Steering Light



60M-02-090

This light comes on when the ignition switch is turned to the “ON” position, and goes out when the engine is started.

If this light comes on while driving, the power steering system may not work properly. Have the system inspected by your MARUTI SUZUKI dealer.

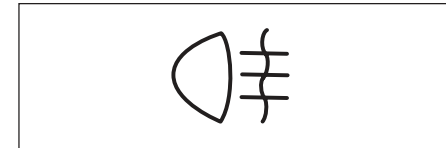
NOTE:

If the power steering system does not work properly, you will feel heavier to steer but you still will be able to steer.

NOTE:

If the steering is operated, you may hear a rubbing noise. This is normal and indicates that the power steering system works properly.

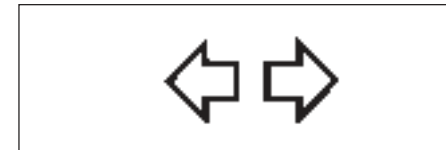
Rear Fog Light Indicator Light (if equipped)



60M-02-091

The rear fog light indicator light comes on when the rear fog light operates.

Turn Signal Indicators



60M-02-092

When you turn on the left or right turn signals, the corresponding green arrow on the instrument panel will blink along with the respective turn signal lights. When you turn on the hazard warning switch, both arrows will blink along with all of the turn signal lights.

Main Beam (high beam) Indicator Light



60M-02-093

This indicator comes on when headlight main beams (high beams) are turned on.

Fuel Filter Warning Light (For Diesel Engine Model)



60M-02-094

This light comes on for several seconds when the ignition switch is turned to the "ON" position so you can check the light is working.

If the light comes on when driving, there is a possibility to have water in the fuel filter. Drain water as soon as possible. For details of draining water, refer to "Fuel Filter" in the "INSPECTION AND MAINTENANCE" section.

Glow Plug Indicator Light (For Diesel Engine Model)



60M-02-095

If the coolant temperature is cool enough, this light comes on when the ignition switch

47

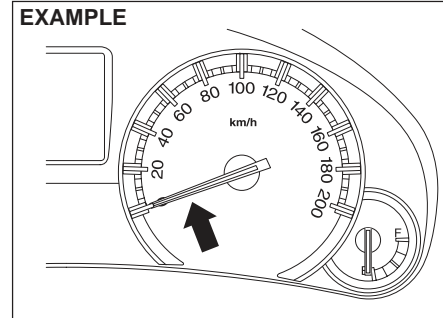
is turned to the "ON" position and goes out when the glow plug is heated enough for engine starting.

NOTE:

Following the repair on engine control unit (ECU) in the starting system, the glow plug indicator light comes on for approximately 10 seconds before the engine starts. This is not the engine malfunction.

Speedometer

EXAMPLE

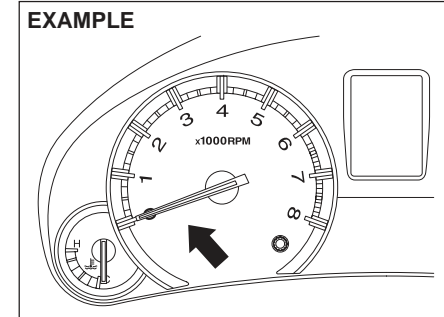


60M-02-096

The speedometer indicates vehicle speed in km/h.

Tachometer (if equipped)

EXAMPLE



60M-02-097

The tachometer indicates engine speed in revolutions per minute.

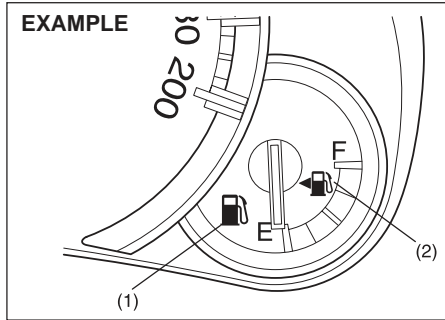
NOTICE

Never drive the vehicle with the engine revving in the red zone or severe engine damage can result. Keep the engine speed below the red zone even when downshifting to a lower gear position. Refer to "Downshifting maximum allowable speeds" in the "OPERATING YOUR VEHICLE" section.

NOTE:

Maximum engine speed is limited at approximately 5000 revolutions per minute by the fuel cut control when you press the accelerator pedal while the gearshift is in "N" (Neutral).

Fuel Gauge



60M-02-098

When the ignition switch is in the "ON" position, this gauge gives an approximate indication of the amount of fuel in the fuel tank. "F" stands for full and "E" stands for empty.

If the indicator gets off the graduation of "E" (not character "E"), refill the tank as soon as possible.

NOTE:

The indicator moves a little depending on road conditions (for example, slope or curve) and driving conditions because of fuel moving in the tank.

If the low fuel warning light (1) comes on, fill the fuel tank immediately.

When the low fuel warning light (1) comes on, a ding sounds once to remind you to fill the fuel.

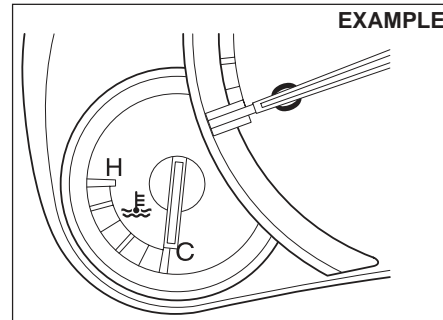
If you do not fill the fuel, a ding sounds every time when the ignition switch is turned to "ON" position.

NOTE:

The activation point of the low fuel warning light (1) varies depending on road conditions (for example, slope or curve) and driving conditions because of fuel moving in the tank.

The mark (2) indicates that the fuel filler door is located on the left side of the vehicle.

Temperature Gauge



60M-02-099

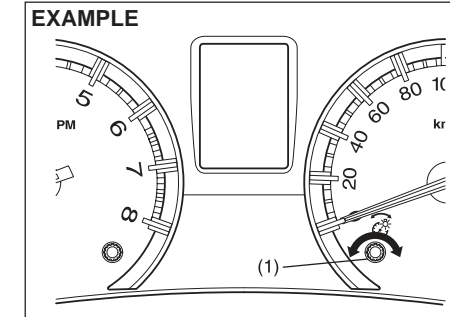
When the ignition switch is in the "ON" position, this gauge indicates the engine coolant temperature. Under normal driving

conditions, the indicator should stay within the normal, acceptable temperature range between "H" and "C". If the indicator approaches "H", overheating is indicated. Follow the instructions for engine overheating in the "EMERGENCY SERVICE" section.

NOTICE

Continuing to drive the vehicle when engine overheating is indicated can result in severe engine damage.

Brightness Control



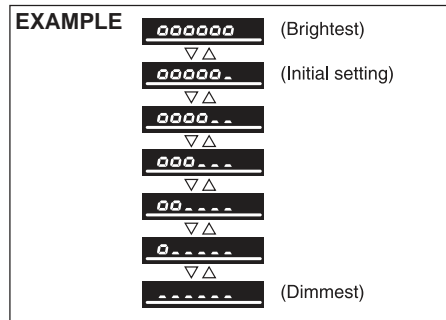
60M-02-100

When the ignition switch is turned to the "ON" position, the pointer lights come on. Your vehicle has a system to automatically dim the brightness of the instrument panel lights when the position lights or headlights are on.

When the position lights and/or headlights are ON, you can control the meter illumination intensity.

To increase the brightness of the instrument panel lights, turn the brightness control knob (1) clockwise.

To reduce the brightness of the instrument panel lights, turn the brightness control knob (1) counterclockwise.



60M-02-101

▲ WARNING

If you attempt to adjust the display while driving, you could lose control of the vehicle.

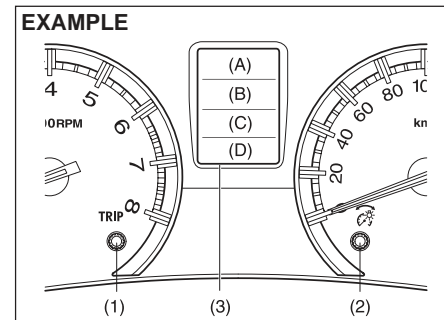
Do not attempt to adjust the display while driving.

NOTE:

- If you do not turn the brightness control knob within about 5 seconds of activating the brightness control display, the brightness control display will be canceled automatically.
- When you reconnect the battery, the brightness of the instrument panel lights will be reinitialized. Readjust the brightness according to your preference.

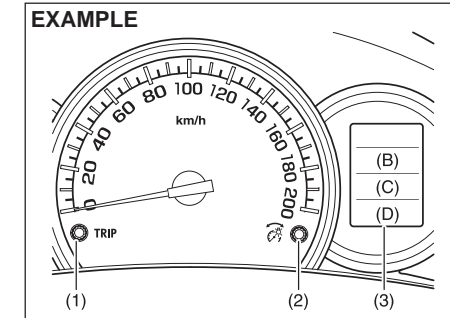
Information Display

with tachometer



60M-02-102

without tachometer



60M-02-103

- Trip meter selector knob
- Indicator selector knob
- Information display

When the ignition switch is in the "ON" position, the information display shows the following information.

Display (A)

Thermometer (if equipped)

Display (B)

Trip meter / Instantaneous fuel consumption / Average fuel consumption / Driving range

Display (C)

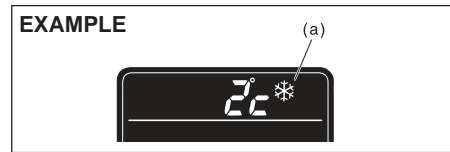
Odometer

Display (D)
Clock

Thermometer (if equipped)

When the ignition switch is in the "ON" position, the display (A) shows the thermometer.

The thermometer indicates the outside temperature.



60M-02-104

If the outside temperature nears freezing, the mark (a) will appear on the display.

NOTE:

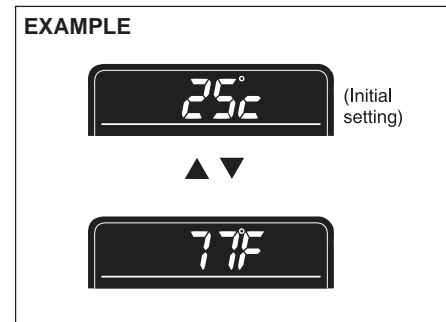
- The outside temperature indication is not the actual outside temperature when driving at low speed, or when stopped.
- If there is something wrong with the thermometer, or just after the ignition switch is turned to the "ON" position, the display may not indicate the outside temperature.

When the display (B) shows the driving range, you can change the unit of temperature.

To change the unit of temperature, while pushing and holding the trip meter selector knob (1), turn the indicator selector knob (2).

NOTE:

When you reconnect the negative (-) terminal to the battery, the unit of temperature will be reinitialized. Change the unit again to your preference.

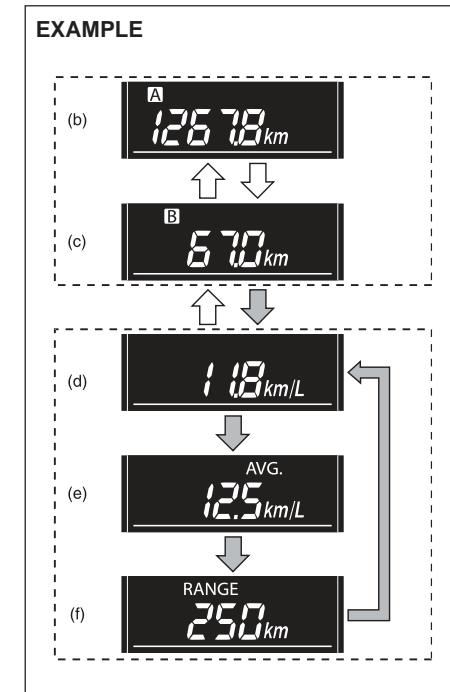


60M-02-105



Trip meter / Instantaneous fuel consumption / Average fuel consumption / Driving range

When the ignition switch is in the "ON" position, the display (B) shows one of the following five indications, trip meter A, trip

meter B, Instantaneous fuel consumption, Average fuel consumption or Driving range. To switch the display indication (B), push the trip meter selector knob (1) or the indicator selector knob (2) quickly.



60M-02-106

	Push the trip meter selector knob (1).
	Push the indicator selector knob (2).

- (b) Trip meter A
- (c) Trip meter B
- (d) Instantaneous Fuel Consumption
- (e) Average fuel consumption
- (f) Driving range

WARNING

If you attempt to adjust the display while driving, you could lose control of the vehicle.

Do not attempt to adjust the display while driving.

NOTE:

- Indications will change when you push and release a knob.
- The display shows estimated values. Indications may not be the same as actual values.

Trip meter

The trip meter can be used to measure the distance traveled on short trips or between fuel stops.

You can use the trip meter A or trip meter B independently.

To reset the trip meter to zero, push and

51

hold the trip meter selector knob (1) for a while when the display shows the trip meter.

NOTE:

The indicated maximum value of the trip meter is 9999.9. When you run past the maximum value, the indicated value will return to 0.0.

Instantaneous Fuel Consumption

The display shows the value of instantaneous fuel consumption only when the vehicle is moving.

NOTE:

- The display does not show the value unless the vehicle is moving.
- The indicated maximum value of instantaneous fuel consumption is 30. No more than 30 will be indicated on the display even if the actual instantaneous fuel consumption is higher.
- The indication on the display may be delayed if fuel consumption is greatly affected by driving conditions.
- The display shows estimated values. Indications may not be the same as actual values.
- You can change the units that instantaneous fuel consumption is displayed in. Refer to "Average fuel consumption" in this section.

Average fuel consumption

If you selected average fuel consumption the last time you drove the vehicle, the display shows the last value of average fuel consumption from previous driving when the

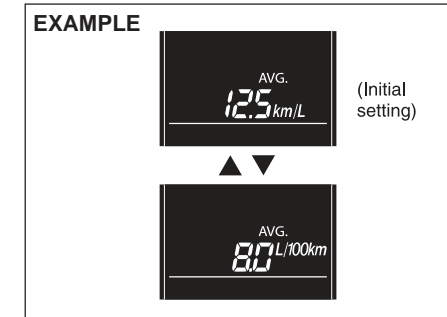
ignition switch is turned to the "ON" position. Unless you reset the value of average fuel consumption, the display indicates the value of average fuel consumption which includes average fuel consumption during previous driving.

To reset the average fuel consumption to zero, push and hold the indicator selector knob (2) for a while when the display shows the average fuel consumption.

NOTE:

When you reset the indication or reconnect the negative (-) terminal to the battery, the value of average fuel consumption will be shown after driving for a while.

To change the unit of average fuel consumption, while pushing and holding the trip meter selector knob (1), turn the indicator selector knob (2).



60M-02-107

NOTE:

- When you change the units that average fuel consumption is displayed in, the instantaneous fuel consumption units will be changed automatically.
- When you reconnect the negative (-) terminal to the battery, the unit of the average fuel consumption will be reinitialized. Change the unit again to your preference.

Driving range

If you selected driving range the last time you drove the vehicle, the display indicates “—” for a few seconds and then indicates the current driving range when the ignition switch is turned to the “ON” position.

The driving range shown in the display is the approximate distance you can drive until the fuel gauge indicates “E”, based on current driving conditions.

When the low fuel warning light comes on, the display “—” will appear.

If the low fuel warning light comes on, fill the fuel tank immediately regardless of the value of driving range shown in the display.

As the driving range after refueling is calculated based on the most recent driving condition, the value is different each time you refuel.

2-37

NOTE:

- If you refuel when the ignition switch is in the “ON” position, the driving range may not indicate the correct value.
- When you reconnect the negative (-) terminal to the battery, the value of driving range will be shown after driving for a while.

Odometer

When the ignition switch is in the “ON” position, the display (C) shows the odometer.

The odometer records the total distance the vehicle has been driven.

NOTICE

Keep track of your odometer reading and check the maintenance schedule regularly for required services. Increased wear or damage to certain parts can result from failure to perform required services at the proper mileage intervals.

Clock

When the ignition switch is in the “ON” position, the display (D) shows the time.

To change the time indication:

- 1) Push the trip meter selector knob (1) and the indicator selector knob (2) together.

- 2) To change the hour indication, turn the indicator selector knob (2) left or right repeatedly when the hour indication blinks. To change the hour indication quickly, turn and hold the indicator selector knob (2). To set the hour indication, push the indicator selector knob (2) and the minute indication will blink.
- 3) To change the minute indication, turn the indicator selector knob (2) left or right repeatedly when the minute indication blinks. To change the minute indication quickly, turn and hold the indicator selector knob (2). To set the minute indication, push the indicator selector knob (2).

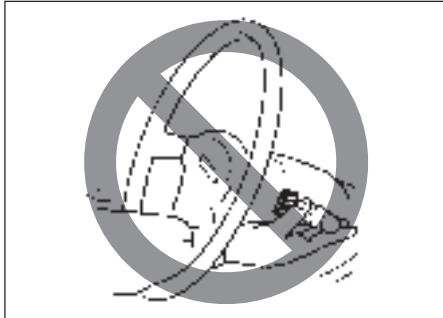
▲ WARNING

If you attempt to adjust the display while driving, you could lose control of the vehicle. Do not attempt to adjust the display while driving.

NOTE:

When you reconnect the negative (-) terminal to the battery, the clock indication will be reinitialized. Change the indication again to your preference.

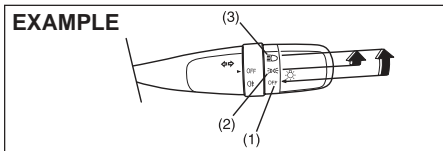
Lighting Control Lever



60M-02-108

⚠ WARNING
 To avoid possible injury, do not operate controls by reaching through the steering wheel.

Lighting Operation



60M-02-109

To turn the lights on or off, twist the knob on the end of the lever. There are three positions:

OFF (1)

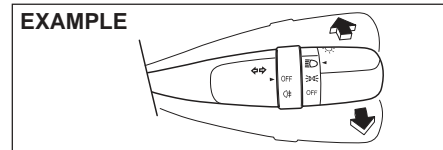
All lights are off.

(2)

Front position lights, tail lights, license plate light and instrument lights are on, but headlights are off.

(3)

Front position lights, tail lights, license plate light, instrument lights and headlights are on.



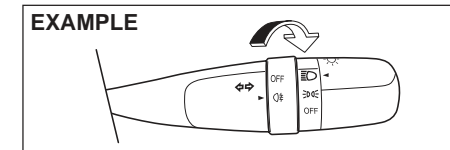
60M-02-110

With the headlights on, push the lever forward to switch to the high beams (main beams) or pull the lever toward you to switch to the low beams. When the high beams (main beams) are on, a light on the instrument panel will come on. To momentarily activate the high beams (main beams) as a passing signal, pull the lever slightly toward you and release it when you have completed the signal.

Light Reminder Buzzer

A buzzer sounds to remind you to turn off the lights if they are left on when the ignition key is removed and the driver's door is opened.

Rear Fog Light Switch (if equipped)



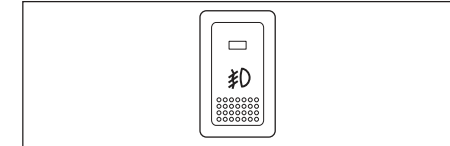
60M-02-111

To turn the rear fog light on, twist the knob as shown in the illustration with the headlights are on. When the rear fog light is on, an indicator light on the instrument cluster will come on.

NOTE:

When the knob on the end of the lightning control lever is returned to the "OFF" position, the rear fog light switch will be canceled automatically.

Front Fog Light Switch (if equipped)



60M-02-112

BEFORE DRIVING

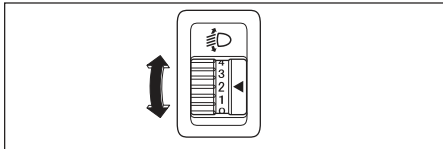
76G-74E

The front fog light comes on when the fog light switch is pushed in with the position lights, tail lights and/or the headlights are on. An indicator light above the switch will be lit when the front fog light is on.

NOTE:

In some countries the lighting operation may be different from the above description according to local regulations.

Headlight Leveling Switch

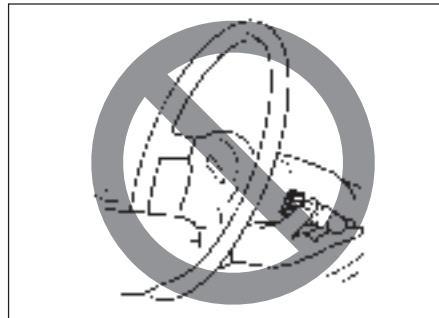


60M-02-113

Level the headlight beam according to the load condition of your vehicle by turning this switch. The chart below shows the appropriate switch position for different vehicle-load conditions.

Loading Conditions	Switch Position
Driver (1Seat)	0
Driver + Co-Driver (2 Seats)	0
Driver + Co-Driver + 2nd row 3 Seats (Total-5 Seats)	1
All Passengers (7 Seats)	2
All Passengers + Cargo (Evenly Distributed load in luggage boot)	2
Driver + Cargo (Evenly distributed load in luggage boot)	3

Turn Signal Control Lever



60M-02-114

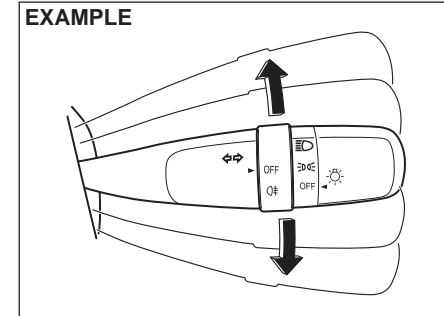
⚠ WARNING

To avoid possible injury, do not operate controls by reaching through the steering wheel.

Turn Signal Operation

With the ignition switch in the "ON" position, move the lever up or down to activate the right or left turn signals.

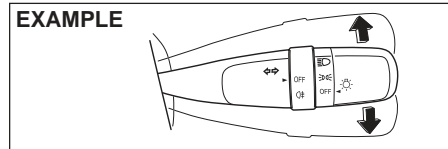
Normal turn signal



60M-02-115

Move the lever all the way upward or downward to signal. When the turn is completed, the signal will cancel and the lever will return to its normal position.

Lane change signal



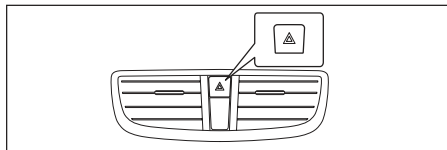
60M-02-116

Sometimes, such as when changing lanes, the steering wheel is not turned far enough to cancel the turn signal. For convenience, you can flash the turn signal by moving the lever part way and holding it there. The lever will return to its normal position when you release it.

NOTE:

The turn signal and its indicator flash three times even if you return the lever immediately after moving it.

Hazard Warning Switch



60M-02-117

Push in the hazard warning switch to activate the hazard warning lights. All turn signal lights and both turn signal indicators will flash simultaneously. To turn off the lights,

push the switch again.

Use the hazard warning lights to warn other traffic during emergency parking or when your vehicle could otherwise become a traffic hazard.

Windshield Wiper and Washer Lever



60M-02-118

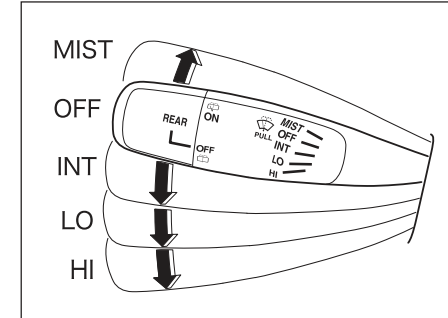
⚠ WARNING

To avoid possible injury, do not operate controls by reaching through the steering wheel.

Wiper and Washer Operation

When the ignition switch is in the "ON" position, you can use the wiper/washer lever or switch (if equipped).

Windshield Wipers

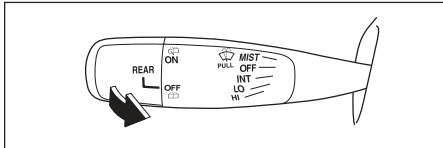


60M-02-119

To turn the windshield wipers on, move the lever down to one of the three operating positions. In the "INT" position, the wipers operate intermittently. The "INT" position is very convenient for driving in mist or light rain. In the "LO" position, the wipers operate at a steady low speed. In the "HI" position, the wipers operate at a steady high speed. To turn off the wipers, move the lever back to the "OFF" position.

Move the lever up and hold it to the "MIST" position, the windshield wipers will turn on continuously at low speed.

Windshield Washer



60M-02-120

To spray windshield washer fluid, pull the lever toward you. The windshield wipers will automatically turn on at low speed if they are not already on and the "INT" position is equipped.

⚠ WARNING

- To prevent windshield icing in cold weather, turn on the defroster to heat the windshield before and during windshield washer use.
- Do not use radiator antifreeze in the windshield washer reservoir. It can severely impair visibility when sprayed on the windshield, and can also damage your vehicle's paint.

NOTICE

To help prevent damage to the windshield wiper and washer system components, you should take the following precautions:

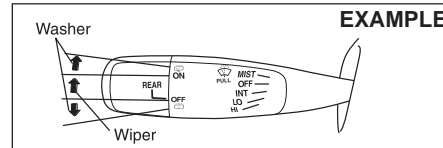


NOTICE



- Do not continue to hold in the lever when there is no windshield washer fluid being sprayed or the washer motor can be damaged.
- Do not attempt to remove dirt from a dry windshield with the wipers or you can damage the windshield and the wiper blades. Always wet the windshield with washer fluid before operating the wipers.
- Clear ice or packed snow from the wiper blades before using the wipers.
- Check the washer fluid level regularly. Check it often when the weather is bad.
- Only fill the washer fluid reservoir 3/4 full during cold weather to allow room for expansion if the temperature falls low enough to freeze the solution.

Rear Window Wiper/Washer Switch (if equipped)



60M-02-121

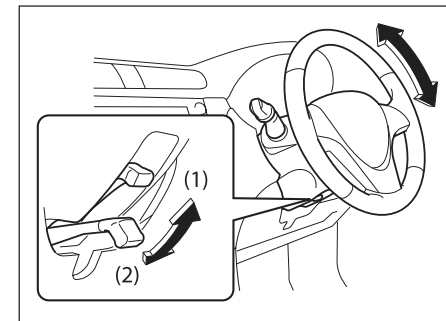
To turn the rear wiper on, twist the rear wiper switch on the end of the lever forward to the "ON" position. To turn the rear wiper off, twist the switch rearward to the "OFF" position.

To spray window washer fluid, twist the switch rearward from the "OFF" position, or twist the switch forward from the "ON" position. The rear wiper will turn on automatically while spraying the window washer fluid.

NOTICE

Clear ice or snow from the rear window and rear wiper blade before using the rear wiper. Accumulated ice or snow could prevent the wiper blade from moving, causing damage to the wiper motor.

Tilt Steering Lock Lever



60M-02-122

- (1) LOCK
- (2) UNLOCK

The lock lever is located under the steering column. To adjust the steering wheel height:

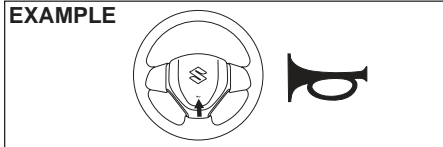
- 1) Push down the lock lever to unlock the steering column.
- 2) Adjust the steering wheel to the desired height and lock the steering column by pulling up the lock lever.
- 3) Try moving the steering wheel up and down to make sure it is securely locked in position.

⚠ WARNING

Never attempt to adjust the steering wheel while the vehicle is moving or you could lose control of the vehicle.

Horn

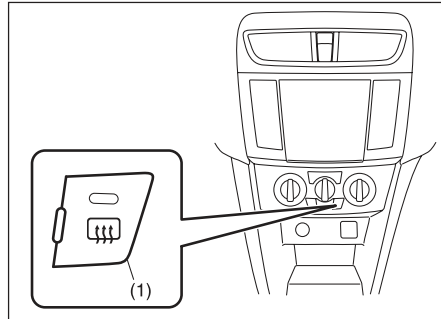
EXAMPLE



60M-02-123

Press the horn button of the steering wheel to sound the horn. The horn will sound with the ignition switch in any position.

Heated Rear Window Switch (if equipped)



60M-02-124

When the rear window is misted, push this switch (1) to clear the window.

An indicator light will be lit when the defogger is on. The defogger will work only when the engine is running. To turn off the defogger, push the switch (1) again.

NOTICE

The heated rear window uses a large amount of electricity. Be sure to turn off after the window has become clear.

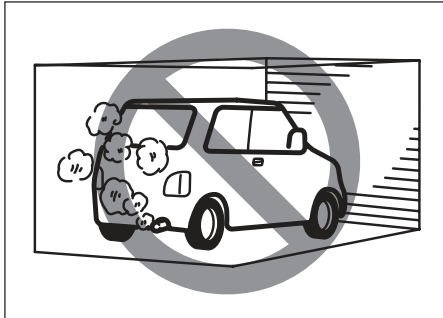
NOTE:

- The defogger will work only when the engine is running.
- The defogger will automatically turn off after the defogger remains on for 15 minutes to prevent discharging of the battery.

OPERATING YOUR VEHICLE

Exhaust Gas Warning	3-1
Daily Inspection Checklist	3-1
Engine Oil Consumption	3-2
Ignition Switch	3-3
Parking Brake Lever	3-4
Pedal	3-5
Starting the Engine	3-5
Using the Transmission	3-6
Braking.....	3-7

Exhaust Gas Warning



60M-03-001

⚠ WARNING

Avoid breathing exhaust gases. Exhaust gases contain carbon monoxide, a potentially lethal gas that is colorless and odorless. Since carbon monoxide is difficult to detect by itself, be sure to take the following precautions to help prevent carbon monoxide from entering your vehicle.

- Do not leave the engine running in garages or other confined areas.
- Do not park with the engine running for a long period of time, even in an open area. If it is necessary to sit for a short time in a parked vehicle with the engine running, make sure

➔

⚠ WARNING

←

the air intake selector is set to “FRESH AIR” and the blower is at high speed.

- Avoid operating the vehicle with the tailgate or trunk open. If it is necessary to operate the vehicle with the tailgate or trunk open, make sure the sunroof (if equipped) and all windows are closed, and the blower is at high speed with the air intake selector set to “FRESH AIR”.
- To allow proper operation of your vehicle’s ventilation system, keep the air inlet grille in front of the windshield clear of snow, leaves or other obstructions at all times.
- Keep the exhaust tailpipe area clear of snow and other material to help reduce the buildup of exhaust gases under the vehicle. This is particularly important when parked in blizzard conditions.
- Have the exhaust system inspected periodically for damage and leaks. Any damage or leaks should be repaired immediately.

Daily Inspection Checklist Before Driving



60M-03-002

- 1) Make sure that windows, mirrors, lights and reflectors are clean and unobstructed.
 - 2) Visually check the tyres for the following points:
 - the depth of the tread groove
 - abnormal wear, cracks and damage
 - loose wheel nuts
 - existence of foreign material such as nails, stones, etc.
- Refer to “Tyres” in “INSPECTION AND MAINTENANCE” section for details.
- 3) Look for fluid and oil leaks.

NOTE:
It is normal for water to drip from the air conditioning system after use.

- 4) Make sure the hood is fully closed and latched.
- 5) Check the headlights, turn signal lights, brake lights and horn for proper operation.
- 6) Adjust the seat and head restraint (if equipped).
- 7) Check the brake pedal and the parking brake lever.
- 8) Adjust the mirrors.
- 9) Make sure that you and all passengers have properly fastened your seat belts.
- 10) Make sure that all warning lights come on as the key is turned to the "ON" position.
- 11) Check all gauges.
- 12) Make sure that the BRAKE SYSTEM WARNING light turns off when the parking brake is released.

Once a week, or each time you fill your fuel tank, perform the following under-hood checks:

- 1) Engine oil level
- 2) Coolant level
- 3) Brake fluid level
- 4) Battery solution level
- 5) Windshield washer fluid level
- 6) Hood latch operation
Pull the hood release handle inside the vehicle. Make sure that you cannot open the hood all the way without releasing the secondary latch. Be sure to close

the hood securely after checking for proper latch operation. See the item "All latches, hinges and locks" of "CHASSIS AND BODY" in the "Periodic Maintenance Schedule" in the "INSPECTION AND MAINTENANCE" section for lubrication schedule.

▲ WARNING

Make sure the hood is fully closed and latched before driving. If it is not, it can fly up unexpectedly during driving, obstructing your view and resulting in an accident.

Once a month, or each time you fill your fuel tank, check the tyre pressure using a tyre pressure gauge. Also check the tyre pressure of the spare tyre.

Engine Oil Consumption

It is normal for the engine to consume some engine oil during normal vehicle operation.

The amount of engine oil consumed depends on the viscosity of the oil, the quality of the oil and the conditions the vehicle is driven under.

More oil is consumed during high-speed driving and when there is frequent acceleration and deceleration. Under high loads, your engine also will consume more oil.

A new engine also consumes more oil, since its pistons, piston rings and cylinder

walls have not yet become conditioned. New engines reach the normal level of oil consumption only after approximately 5000 km (3000 miles) driving.

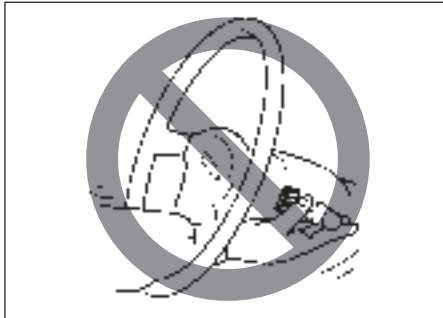
**Oil consumption:
Max. 1.0 L per 1000 km
(1 Qt. per 600 miles)**

When judging the amount of oil consumption, note that the oil may become diluted and make it difficult to accurately judge the true oil level.

As an example, if a vehicle is used for repeated short trips, and consumes a normal amount of oil, the dipstick may not show any drop in the oil level at all, even after 1000 km (600 miles) or more of driving. This is because the oil is gradually becoming diluted with fuel or moisture, making it appear that the oil level has not changed.

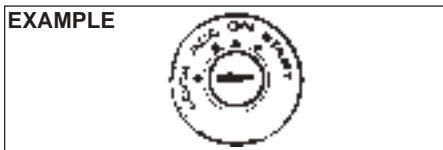
You should also be aware that the diluting ingredients evaporate out when the vehicle is subsequently driven at high speeds, such as on an expressway, making it appear that oil is excessively consumed after high-speed driving.

Ignition Switch



60M-03-003

⚠ WARNING
 To avoid possible injury, do not operate controls by reaching through the steering wheel.



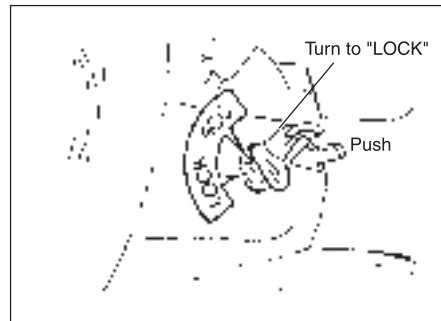
60M-03-004

The ignition switch has the following four positions:

LOCK

This is the normal parking position. It is the only position in which the key can be removed.

3-3



60M-03-005

• **Manual transmission vehicles**

You must push in the key to turn it to the "LOCK" position. It locks the ignition, and prevents normal use of the steering wheel after the key is removed.

To release the steering lock, insert the key and turn it clockwise to one of the other positions. If you have trouble turning the key to unlock the steering, try turning the steering wheel slightly to the right or left while turning the key.

ACC

Accessories such as the radio can operate, but the engine is off.

ON

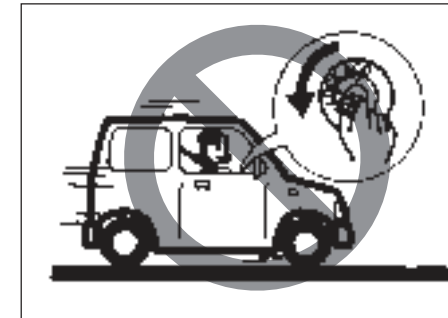
This is the normal operating position. All electrical systems are on.

START

This is the position for starting the engine using the starter motor. The key should be released from this position as soon as the engine starts.

Ignition key reminder

A buzzer sounds intermittently to remind you to remove the ignition key if it is in the ignition switch when the driver's door is opened.



60M-03-006

⚠ WARNING

- Never return the ignition switch to the "LOCK" position and remove the ignition key while the vehicle is moving. The steering wheel will lock and you will not be able to steer the vehicle.

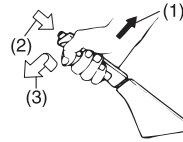


⚠ WARNING

- Always return the ignition switch to the "LOCK" position and remove the ignition key when leaving the vehicle even if only for a short time. Also do not leave children alone in a parked vehicle. Unattended children could cause accidental movement of the vehicle or could tamper with power windows. They also could suffer from heat stroke in warm or hot weather. These could result in severe injury or even death.

NOTICE

- Do not use the starter motor for more than 15 seconds at a time. If the engine does not start, wait 15 seconds before trying again. If the engine does not start after several attempts, check the fuel and ignition systems or consult your MARUTI SUZUKI dealer.
- Do not leave the ignition switch in the "ON" position if the engine is not running as the battery will discharge.

Parking Brake Lever**EXAMPLE**

60M-03-007

- To set
- To release
- To release

The parking brake lever is located between the seats. To set the parking brake, hold the brake pedal down and pull the parking brake lever all the way up. To release the parking brake, hold the brake pedal down, pull up slightly on the parking brake lever, push the button on the end of the lever with your thumb, and lower the lever to its original position.

⚠ WARNING

- Never drive your vehicle with the parking brake on: rear brake effectiveness can be reduced from overheating, brake life may be shortened, or permanent brake damage may result.
- If the parking brake does not hold the vehicle securely or does not fully release, have your vehicle inspected immediately by an authorized MARUTI SUZUKI dealer.

⚠ WARNING

Always set the parking brake fully before leaving your vehicle or it may move, causing injury or damage. When parking, make sure the gearshift lever is in 1st gear or "R" (Reverse). Remember, even though the transmission is in gear, you must set the parking brake fully.

⚠ WARNING

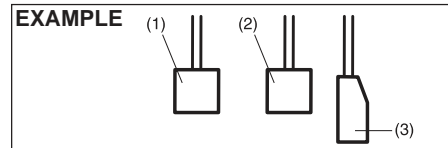
When parking the vehicle in extremely cold weather, the following procedure should be used:

- Set the parking brake.
- Turn off the engine, then shift into reverse or first gear.
- Get out of the vehicle and put chocks under the wheels.
- Release the parking brake. When you return to your vehicle, you must remember to first set the parking brake, then remove the wheel chocks.

Parking Brake Reminder Buzzer

A buzzer sounds intermittently to remind you to release the parking brake if you drive the vehicle without releasing the parking brake. Make sure that the parking brake is fully released and the brake system warning light turns off.

Pedal



60M-03-008

Clutch Pedal (1)

The clutch pedal is used to disengage the drive to the wheels when starting the engine, stopping, or shifting the gearshift lever. Depressing the pedal disengages the clutch.

⚠ WARNING
Do not drive with your foot resting on the clutch pedal. It could result in excessive clutch wear, clutch damage, or unexpected loss of engine braking.

Brake Pedal (2)

Your MARUTI SUZUKI vehicle is equipped with front disc brakes and rear drum brakes. Depressing the brake pedal applies both sets of brakes.

You may hear occasional brake squeal when you apply the brakes. This is a normal condition caused by environmental factors such as cold, wet, snow, etc.

⚠ WARNING

If brake squeal is excessive and occurs each time the brakes are applied, you should have the brakes checked by your MARUTI SUZUKI dealer.

⚠ WARNING

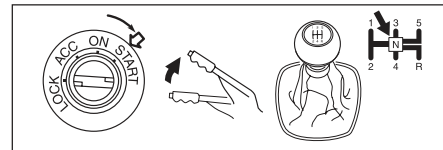
Do not “ride” the brakes by applying them continuously or resting your foot on the pedal. This will result in overheating of the brakes which could cause unpredictable braking action, longer stopping distances, or permanent brake damage.

Accelerator Pedal (3)

This pedal controls the speed of the engine. Depressing the accelerator pedal increases power output and speed.

Starting the Engine

Before Starting the Engine



60M-03-009

1) Make sure the parking brake is set fully.

2) Shift into “N” (Neutral) and depress the clutch pedal all the way to the floor. Hold the clutch pedal while starting the engine.

⚠ WARNING

Make sure that the parking brake is set fully and the transmission is in Neutral before attempting to start the engine.

Starting a Cold and Warm Engine (For Petrol Engine Model)

With your foot off the accelerator pedal, crank the engine by turning the ignition key to “START”. Release the key when the engine starts.

NOTICE

- Stop turning the starter immediately after the engine has started or the starter system can be damaged.
- Do not crank the engine for more than 15 seconds at a time. If the engine doesn't start on the first try, wait about 15 seconds before trying again.

If the engine does not start after 15 seconds of cranking, wait about 15 seconds, then press down the accelerator pedal to 1/

3 of its travel and try cranking the engine again. Release the key and accelerator pedal when the engine starts.

If the engine still does not start, try holding the accelerator pedal all the way to the floor while cranking. This should clear the engine if it is flooded.

(For Diesel Engine Model)

Cold engine

Turn the ignition switch to the "ON" position and wait until the glow plug indicator goes out if it comes on. Crank the engine by turning the ignition key to "START". Release the key when the engine starts.

NOTICE

- Stop turning the starter immediately after the engine has started or the starter system can be damaged.
- Do not crank the engine for more than 15 seconds at a time. If the engine doesn't start on the first try, wait about 15 seconds before trying again.

Warm engine

Crank the engine by turning the ignition key to "START". Release the key when the engine starts.

Caution when stopping the engine with turbocharger

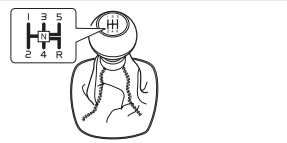
When stopping the engine after climbing or high speed driving, let the engine idle for about one minute or more (if it is not prohibited) to cool down the turbocharger and engine oil. This is to prevent the engine oil from over-deteriorating. Deteriorated engine oil will damage the bearings of the turbocharger.

Restarting diesel engine after fuel-empty stop

The engine stops and the malfunction indicator light comes on if the engine feels fuel emptiness. To restart the engine, stop the vehicles, hold the ignition key in "ON" position for 5–10 seconds to feed fuel, then perform above engine starting procedure. Have the indicator light turned off by your MARUTI SUZUKI dealer.

Using the Transmission

EXAMPLE



60M-03-010

Starting off

To start off, depress the clutch pedal all the way to the floor and shift into 1st gear. After releasing the parking brake, gradually release the clutch. When you hear a change

in the engine's sound, slowly press the accelerator while continuing to gradually release the clutch.

Shifting

All forward gears are synchronized, which provides for quiet and easy shifting. Always depress the clutch pedal all the way to the floor before shifting gears. Keep the engine speed does not rise into the red zone of the tachometer.

Downshifting maximum allowable speeds

For Petrol engine

Downshifting	Km/h (mph)
2nd to 1st	35 (22)
3rd to 2nd	70 (43)
4th to 3rd	105 (65)
5th to 4th	140 (87)*

For Diesel engine

Downshifting	Km/h (mph)
2nd to 1st	30 (19)
3rd to 2nd	60 (37)
4th to 3rd	95 (59)
5th to 4th	135 (84)*

*NOTE:

You may not accelerate to the maximum allowable speed because of the driving situation and/or the vehicle condition.

NOTICE

When downshifting to a lower gear, make sure not to downshift at the speed faster than the maximum allowable speeds, or severe engine damage can result.

⚠ WARNING

- Reduce your speed and downshift to a lower gear before going down a long or steep hill. A lower gear will allow the engine to provide braking. Avoid riding the brakes or they may overheat, resulting in brake failure.
- When driving on slippery roads, be sure to slow down before downshifting. Excessive and/or sudden changes in engine speed may cause loss of traction, which could cause you to lose control.

NOTICE

Make sure that the vehicle is completely stationary before you shift into reverse.

NOTICE

- To help avoid clutch damage, do not use the clutch pedal as a footrest while driving or use the clutch to keep the vehicle stationary on a slope. Depress the clutch fully when shifting.
- When shifting or starting off, do not race the engine. Racing the engine can shorten engine life and cause negative effect to smooth shifting.

Braking

60M-03-011

The distance needed to bring any vehicle to a halt increases with the speed of the vehicle. The braking distance needed, for example, at 60 km/h (37 mph) will be approximately 4 times greater than the

braking distance needed at 30 km/h (19 mph). Start to brake the vehicle when there is plenty of distance between your vehicle and the stopping point, and slow down gradually.

⚠ WARNING

If water gets into the brake drums, brake performance may become poor and unpredictable. After driving through water or washing the underside of the vehicle, test the brakes while driving at a slow speed to see if they have maintained their normal effectiveness. If the brakes are less effective than normal, dry them by repeatedly applying the brakes while driving slowly until the brakes have regained their normal effectiveness.

Power-Assisted Brakes

Your vehicle has power-assisted brakes. If power assistance is lost due to a stalled engine or other failures, the system is still fully operational on reserve power and you can bring the vehicle to a complete stop by pressing the brake pedal once and holding it down. The reserve power is partly used up when you depress the brake pedal and reduces each time the pedal is pressed. Apply smooth and even pressure to the pedal. Do not pump the pedal.

⚠ WARNING

Even without reserve power in the brake system, you can still stop the vehicle by pressing the brake pedal harder than normally required. However, the stopping distance may be longer.

Brake Assist System (if equipped)

When you slam the brakes on, the brake assist system judges as an emergency stop and provides more powerful braking for a driver who cannot hold down the brake pedal firmly.

NOTE:

If you quickly and forcefully depress the brakes, you may hear a clicking sound in the brake pedal. This is normal and indicates that the brake assist system is activated properly.

Anti-Lock Brake System (ABS) (if equipped)

ABS will help you avoid skidding by electronically controlling braking pressure. It will also help you maintain steering control when braking on slippery surfaces or when braking hard.

The ABS works automatically, so you do not need any special braking technique. Just push the brake pedal down without

pumping. The ABS will operate whenever it senses that the wheels are locking up. You may feel the brake pedal moves a little while the ABS is operating.

NOTE:

The ABS will not work if vehicle speed is under about 10 km/h (6mph).

⚠ WARNING

- On some types of loose surfaces (such as gravel, snow-covered roads, etc.) the stopping distance required for an ABS-equipped vehicle may be slightly greater than for a comparable vehicle with a conventional brake system. With a conventional brake system, skidding tyres are able to “plow” the gravel or snow layer, shortening the stopping distance. ABS minimizes this resistance effect. Allow for extra stopping distance when driving on loose surfaces.
- On regular paved roads, some drivers may be able to obtain slightly shorter stopping distances with conventional brake systems than with ABS.
- In both of the above conditions, ABS will still offer the advantage of helping you maintain directional

**⚠ WARNING**

control. However, remember that ABS will not compensate for bad road or weather conditions or poor driver judgment. Use good judgment and do not drive faster than conditions will safely allow.



(1)



(2)

60M-03-012

- 1) ABS warning light
- 2) Brake system warning light

⚠ WARNING

- If the ABS warning light (1) on the instrument panel comes on and stays on while driving, there may be a problem with the ABS system. Ask your MARUTI SUZUKI dealer to inspect the ABS system immediately. If the ABS system becomes inoperative, the brake system will function as an ordinary brake system that has no ABS.



⚠ WARNING

- ←
- If the ABS warning light (1) and the Brake system warning light (2) on the instrument panel simultaneously stays on or comes on when driving, both anti-lock function and rear brake force control function (proportioning valve function) of the ABS system may have failed. If so, the rear wheels may easily skid or the vehicle can even spin in the worst case when braking on a slippery road or when hard braking even on a dry paved road. Ask your **MARUTI SUZUKI** dealer to inspect the ABS system immediately. Drive carefully, avoiding hard braking as much as possible.

⚠ WARNING

The ABS may not work properly if tyres or wheels other than those specified in the owner's manual are used. This is because the ABS works by comparing changes in wheel speed. When replacing tyres or wheels, use only the size and type specified in this owner's manual.

How the ABS Works

A computer continuously monitors wheel speed. The computer compares the changes in wheel speed when braking. If the wheels slow suddenly, indicating a skidding situation, the computer will change braking pressure several times each second to prevent the wheels from locking. When you start your vehicle or when you accelerate after a hard stop, you may hear a momentary motor or clicking noise as the system resets or checks itself.

DRIVING TIPS

Running-in	4-1
Catalytic Converter	4-1
Improving Fuel Economy	4-2
Highway Driving	4-3
Driving on Hills	4-3
Driving on Slippery Roads	4-3



60M-04-001

▲ WARNING

- **Wear Your Seat Belts at All Times.** Even though air bags are equipped at the front seating positions, the driver and all passengers should be properly restrained at all times, using the seat belts provided. Refer to the “Seat Belts and Child Restraint Systems” section for instructions on proper use of the seat belts.
- **Never drive while under the influence of alcohol or other drugs.** Alcohol and drugs can seriously impair your ability to drive safely, greatly increasing the risk of injury to yourself and others. You should also avoid driving when you are tired, sick, irritated, or under stress.

Running-in

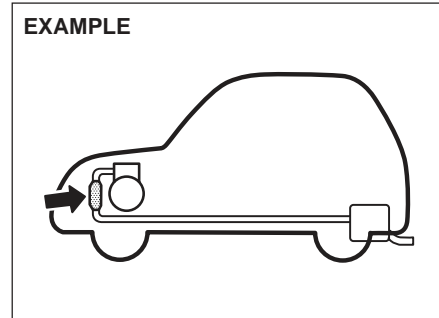
NOTICE

The future performance and reliability of the engine depends on the care and restraint exercised during its early life. It is especially important to observe the following precautions during the initial 960 km (600 miles) of vehicle operation.

- **After starting, do not race the engine.** Warm it up gradually.
- **Avoid prolonged vehicle operation at a constant speed.** Moving parts will break in better if you vary your speed.
- **Start off from a stop slowly.** Avoid full throttle starts.
- **Avoid hard braking, especially during the first 320 km (200 miles) of driving.**
- **Do not drive slowly with the transmission in a high gear.**
- **Drive the vehicle at moderate engine speeds.**
- **Do not tow a trailer during the first 960 km (600 miles) of vehicle operation.**

Catalytic Converter

EXAMPLE



60M-04-002

The purpose of the catalytic converter is to minimize the amount of harmful pollutants in your vehicle’s exhaust. Use of leaded fuel in vehicles equipped with catalytic converters is prohibited, because lead deactivates the pollutant-reducing components of the catalyst system.

The converter is designed to last the life of the vehicle under normal usage and when unleaded fuel is used. No special maintenance is required on the converter. However, it is very important to keep the engine properly tuned. Engine misfiring, which can result from an improperly tuned engine, may cause overheating of the catalyst. This may result in permanent heat damage to the catalyst and other vehicle components.

NOTICE

To avoid damaging catalyst or other vehicle damage:

- Maintain the engine in the proper operating condition.
- In the event of an engine malfunction, particularly one involving engine misfiring or other apparent loss of performance, have the vehicle serviced promptly.
- Do not turn off the engine or interrupt the ignition when the transmission is in gear and the vehicle is in motion.
- Do not try to start the engine by pushing or towing the vehicle, or coasting down a hill.
- Do not idle the engine with any spark plug wires disconnected or removed, such as during diagnostic testing.
- Do not idle the vehicle for prolonged periods if idling seems rough or there are other malfunctions.
- Do not allow the fuel tank to get near the empty level.
- Avoid driving your vehicle at excessively high engine speed in or around the red zone of the tachometer (if equipped).



60M-04-003

▲ WARNING

Be careful in areas where you park and drive; the catalytic converter and other exhaust components can get very hot. As with any vehicle, do not park or operate this vehicle in areas where combustible materials such as dry grass or leaves can come in contact with a hot exhaust system.

Improving Fuel Economy

The following instructions will help you improve fuel economy.

Avoid excessive idling

If you are to wait for more than a minute while you are parked, stop the engine and start it again later. When warming up a cold engine, allow the engine to idle until the

temperature gauge pointer comes up to the "C" position (if the idling is not prohibited). In this position, the engine is sufficiently warm for starting off.

Avoid "fast" starts

Fast starts away from lights or stop signs will consume fuel unnecessarily and shorten engine life. Start off slowly.

Avoid unnecessary stops

Avoid unnecessary deceleration and stopping. Try to maintain a slow, steady speed whenever possible. Slowing down and then accelerating again uses more fuel.

Keep a steady cruising speed

Keep as constant a speed as road and traffic conditions will permit.

Keep the air cleaner clean**EXAMPLE**

60M-04-004

If the air cleaner is clogged with dust, there will be greater intake resistance, resulting in decreased power output and increased fuel consumption.

Keep weight to a minimum

The heavier the load, the more fuel the

vehicle consumes. Take out any luggage or cargo when it is not necessary.

Keep tyre pressures correct

Underinflation of the tyres can waste fuel due to increased running resistance of the tyres. Keep your tyres inflated to the correct pressure shown on the label on the driver's side door or the driver's door lock pillar.

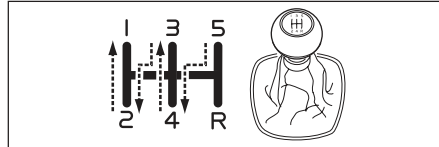
Highway Driving

When driving at highway speeds, pay attention to the following:

- Stopping distance progressively increases with vehicle speed. Apply the brakes far enough ahead of the stopping point to allow for the extra stopping distance.
- On rainy days, "Hydroplaning" can occur. "Hydroplaning" is the loss of direct contact between the road surface and the vehicle's tyres due to a water film forming between them. Steering or braking the vehicle while "Hydroplaning" can be very difficult, and loss of control can occur. Keep speed down when the road surface is wet.
- At high speeds, the vehicle may be affected by side winds. Therefore, reduce speed and be prepared for unexpected buffeting, which can occur at the exits of tunnels, when passing by a cut of a hill, or when being overtaken by large vehicles, etc.

4-3

Driving on Hills



60M-04-005

- When climbing steep hills, the vehicle may begin to slow down and show a lack of power. If this happens, you should shift to a lower gear so that the engine will again be operating in its normal power range. Shift rapidly to prevent the vehicle from losing momentum.
- When driving down a hill, the engine should be used for braking by shifting to next lower gear.

⚠ WARNING

Try not to hold the brake pedal down too long or too often while going down a steep or long hill. This could cause the brakes to overheat, resulting in reduced braking efficiency. Failure to take this precaution could result in loss of vehicle control.

NOTICE

When descending a down hill, NEVER turn the ignition key to the "OFF" position. Emission control system damage may result.

Driving on Slippery Roads



60M-04-006

Under wet road conditions you should drive at a lower speed than on dry roads due to possible slippage of tyres during braking. When driving on icy, snow-covered, or muddy roads, reduce your speed and avoid sudden acceleration, abrupt braking, or sharp steering movements.

Tyre Chains

Tyre chains should only be used if they are needed to increase traction or are required by law. Make sure that the chains you use are the correct size for your vehicle's tyres. Also make sure that there is enough clearance between the fenders and the chains as installed on the tyres.

Install the chains on the front tyres tightly, according to the chain manufacturer's

72

instructions. Retighten the chains after driving about 1.0 km (1/2 mile) if necessary. With the chains installed, drive slowly.

NOTICE

- If you hear the chains hitting against the vehicle body while driving, stop and tighten them.
- If your vehicle is equipped with full wheel caps, remove the wheel caps before installing the chains or the wheel caps can be damaged by the chain bands.

If Your Vehicle Gets Stuck

If your vehicle gets stuck in snow, mud, or sand, follow the directions below:

- 1) Shift the transmission back and forth between a forward range (or first gear for manual transmission) and reverse. This will create a rocking motion which may give you enough momentum to free the vehicle. Press gently on the accelerator to keep wheel spinning to a minimum wheel rpm. Remove your foot from the accelerator while shifting. Do not race the engine. Excessive wheel spin will cause the tyres to dig deeper, making it more difficult to free the vehicle.
- 2) If your vehicle remains stuck after a few minutes of rocking, get another vehicle to pull your vehicle out.

⚠ WARNING

Do not allow anyone to stand near the vehicle when you are rocking it, and do not spin the wheels faster than an indicated 40 km/h (25 mph) on the speedometer. Personal injury and/ or vehicle damage may result from spinning the wheels too fast.

NOTICE

Do not continue rocking the vehicle for more than a few minutes. Prolonged rocking can cause engine overheating or transmission damage.



60M-04-007

DRIVING ON WET ROADS

CAUTION

- When driving on wet roads, avoid driving through large amount of standing water on the road. Large amount of water entering the engine compartment may cause damage to the engine and or electrical components.
- If stuck in deep water, do not start till water level drops.
- Water is incompressible substance, water inside engine is harmful to the engine.

⚠ WARNING

In addition to following the driving tips in this section, it is important to observe the following precautions.

- Make sure your tyres are in good condition and always maintain the specified tyre pressure. Refer to "Tyres" in the "INSPECTION AND MAINTENANCE" section for details.
- Do not use tyres other than those specified by MARUTI SUZUKI. Never use different sizes or types of tyres on the front and rear wheels. For information regarding the specified tyres, refer to the Tyre Information



⚠ WARNING

Label located on the driver's door lock pillar.

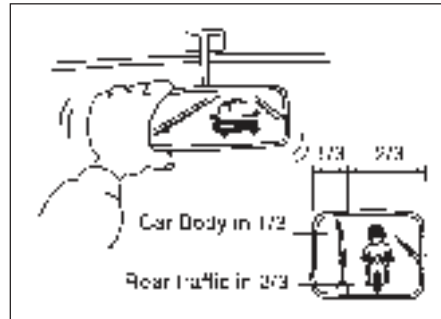
- Never use oversized tyres or special shock absorbers and springs to raise (jack up) your vehicle. This will change the handling characteristics. Oversized tyres may also rub against the fender over bumps, causing vehicle damage or tyre failure.
- After driving through water, test the brakes while driving at a slow speed to see if they have maintained their normal effectiveness. If the brakes are less effective than normal, dry them by repeatedly applying the brakes while driving slowly until the brakes have regained their normal effectiveness.

DO'S AND DON'TS FOR SAFE DRIVING

Exercise care in handling your vehicle. Be conscious of not only your own safety but also the safety of others on the road, and thus enjoy the best and most comfortable driving experience.

This section contains basic rules for safe driving. Read it carefully for good understanding of the content so that you can enjoy safe and pleasant driving in your Maruti Suzuki vehicle.

4-5



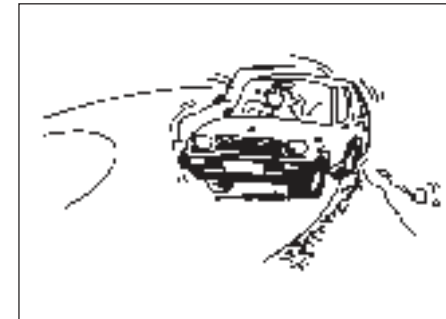
60M-04-008

Starting

1. Adjust the driver's seat for the proper driving posture.
2. Adjust the rear view mirror so as to obtain the best possible rear view.
3. Before moving off, look forward and back to confirm safety.
4. Don't start quickly, for it is dangerous and wastes fuel.

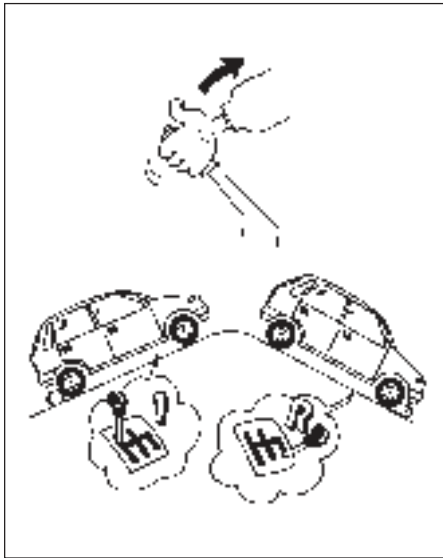
General driving

1. Be sure to stop before the stop light and stop sign. When moving into the intersection without any traffic lights or signs, drive slowly to confirm safety.



60M-04-009

2. Always follow other vehicles at a safe distance in order to prevent a rear-end collision, should the vehicle ahead make a sudden stop.
3. Turn ON the turn signal at least 30 meters before making a turn or changing the lane so as not to be hit from behind.
4. Before entering a corner, decelerate to a safe speed. Don't apply brakes during cornering, or a cornering skid may occur.
5. When overtaking other vehicles, watch out for the oncoming vehicle and carefully confirm the safety.
6. Don't attempt zigzag driving which will hinder your control over the vehicle and cause an accident.



60M-04-010

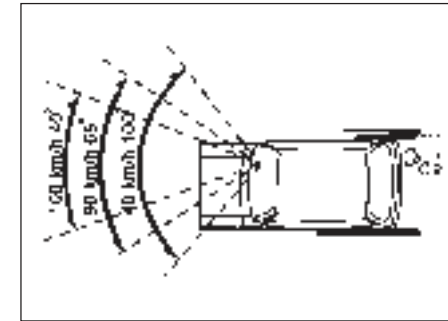
Braking

1. Use the parking brake when parking your vehicle and shift the gear shift lever into the first gear or reverse gear position for the sake of safety.
2. Don't use handbraking unless unavoidable. It causes the vehicle to skid and a rearend collision occur. It is



60M-04-011

- especially dangerous when the tyres are worn, for they allow a larger skid. Use foot brake in three stages
- (1) Warn the vehicle behind you
 - (2) Gradually apply the brake.
 - (3) Bring the vehicle to a halt.
3. When driving on a downhill, try not to apply the brake but use the engine brake effectively. Overuse of the footbrake may result in total brake failure.
 4. Avoid reckless high speed driving and try to drive at a safe speed suitable for the road conditions while maintaining a constant speed.



60M-04-012

5. The higher the speed, the narrower the driver's visual range becomes. In such a state, it is difficult to anticipate any hazard and the driver feels much fatigued.
6. Never do sharp handling during high speed driving. You will lose your control over your vehicle.
7. When overtaking or changing the lane while driving at a high speed, keep an ample vehicle-to-vehicle distance.

Long distance driving

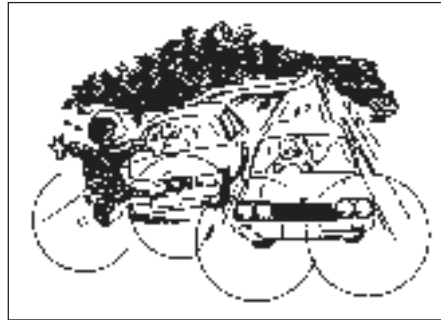
1. Be sure to perform safety checks before starting a trip.
2. Take rest at certain intervals to prevent an accident which may occur when you are sleepy or tired.



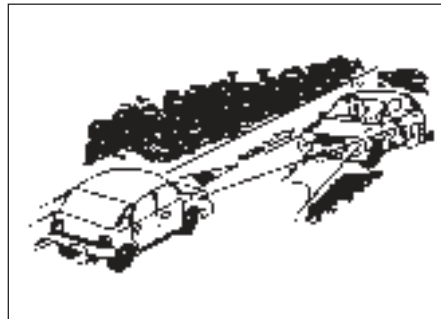
60M-04-013

Night time driving

1. Drive more slowly at night than in the daytime, for the visual range is restricted at night.
2. Don't overtake other vehicles at night. Darkness bothers your sense of speed and hinders your judgement on the vehicle-to-vehicle distance.
3. Don't use the high headlight beam unless its use is inevitable. Its dazzle may blitz the driver of the oncoming vehicle, thus causing an accident.
4. Always keep the window glasses clean. Don't operate the windshield wiper when the windshield glass is dry or the wiper blade and glass may get damaged.



60M-04-014



60M-04-015

MARGIN FOR SAFETY

It is important to allow yourself a margin for safety during driving so that you can cope with erroneous or unexpected driving of other drivers. For that, observe the following.

- Drive at a safe speed.
- Maintain a sufficient distance between your vehicle and the vehicle ahead.
- Don't force yourself to overtake other vehicles.
- Don't make quick start, hard steering or sudden stops.
- Allow an ample time in the driving schedule.
- Observe traffic rules and regulations.

CONCLUSION

A perfect driver does not exist. The endeavour of every motorist should be to strive for perfection. Safety consciousness not only ensures your safety and the safety of other road users, it also helps reduce the wear and tear on your vehicle, prolongs its life, gives more mileage and ensures a comfortable driving experience.

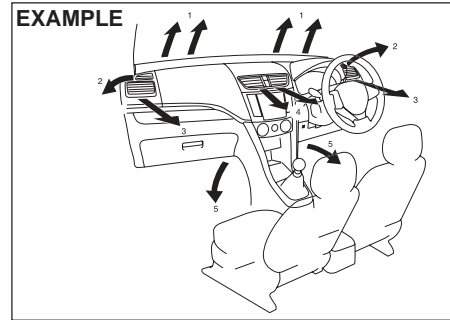
Follow the do's and don'ts listed, and driving will never be the same again.

OTHER CONTROLS AND EQUIPMENT

Manual Heating and Air Conditioning System	5-1
Radio Antenna	5-4
Audio System (if equipped)	5-5
Fuel Filler Cap	5-32
Engine Hood	5-33
Sun Visor	5-33
Interior Light Switch	5-34
Accessory Socket	5-35
AUX/USB Socket (if equipped)	5-35
Assist Grips	5-35
Glove Box	5-35
Cup Holder and Storage Area	5-36
Front Seat Back Pocket (if equipped)	5-37
Armrest (if equipped)	5-37
Floor Mats (if equipped)	5-37
Luggage Box	5-38
Frame Hooks	5-38

Manual Heating and Air Conditioning System

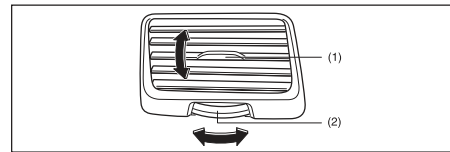
Air Outlet



60M-05-001

- 1. Windshield defroster outlet
- 2. Side defroster outlet
- 3. Side outlet
- 4. Center outlet
- 5. Floor outlet

Side outlet

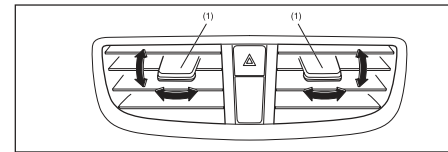


60M-05-002

Move the knob (1) vertically and the dial (2) horizontally, to adjust the direction of airflow
5-1

as desired. When "Open", air comes out from the side outlets regardless of the airflow selector position.

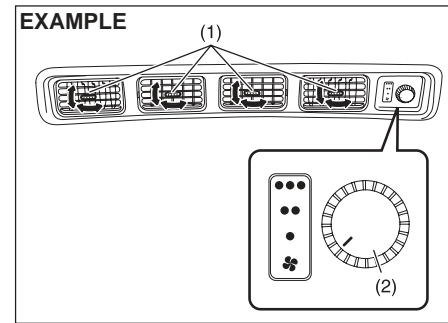
Center outlet



60M-05-003

Move the knob (1) vertically or horizontally to adjust the direction of airflow as desired.

Overhead rear air conditioning system (if equipped)



60M-05-004

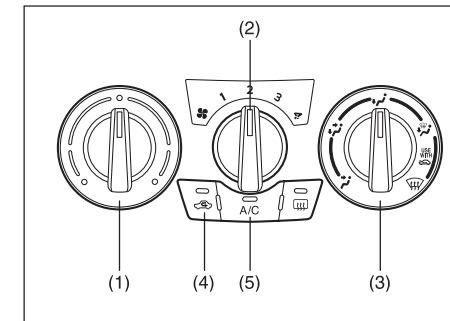
To turn on the overhead rear air conditioning system, set the blower speed selector

of the manual heating and air conditioning system to a position other than "OFF" and set the rear blower switch (2) to a position other than "OFF". Move the knob (1) vertically or horizontally to adjust the direction of airflow as desired.

If you need cold air to come out, turn on the air conditioning switch. Refer to "Air conditioning switch" in this section.

During operation of the air conditioner, you may notice slight changes in engine speed. These changes are normal, the system is designed so that the compressor turns on or off to maintain the desired temperature. Less operation of the compressor results in better fuel economy.

Description of Controls



60M-05-005

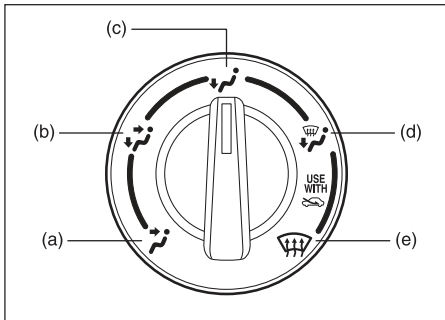
Temperature selector (1)

This is used to select the temperature by turning the selector.

Blower speed selector (2)

This is used to turn on the blower and to select blower speed by turning the selector.

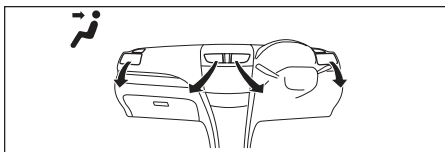
Air flow selector (3)



60M-05-006

This is used to select one of the functions described below.

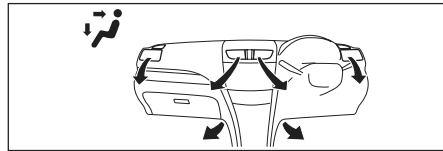
Ventilation (a)



60M-05-007

Temperature-controlled air comes out of the center and side air outlets.

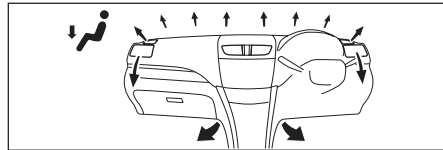
Bi-level (b)



60M-05-008

Temperature-controlled air comes out of the floor outlets and cooler air comes out of the center and side outlets. When the temperature selector (1) is in the fully COLD position or fully HOT position, however, the air from the floor outlets and the air from the center and side outlets will be the same temperature.

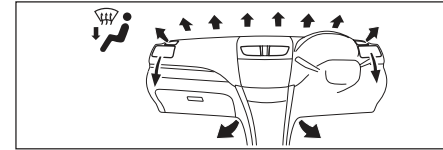
Heat (c)



60M-05-009

Temperature-controlled air comes out of the floor outlets and the side outlets, also comes out of the windshield defroster outlets and also comes slightly out of the side defroster outlets.

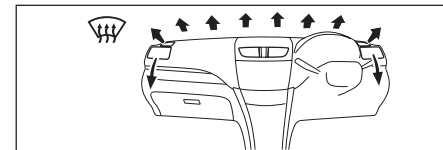
Heat & defrost (d)



60M-05-010

Temperature-controlled air comes out of the floor outlets, the windshield defroster outlets, the side defroster outlets and the side outlets.

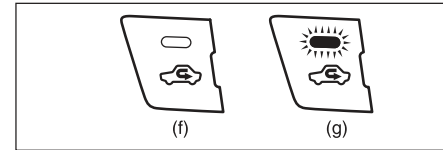
Defrost (e)



60M-05-011

Temperature-controlled air comes out of the windshield defroster outlets, the side defroster outlets and the side outlets.

Air intake selector (4)



60M-05-012

This selector is used to select the following modes.

Fresh Air (f)

When this mode is selected, the indicator light will go off and outside air is used.

Recirculated Air (g)

When this mode is selected, the indicator light will come on, outside air is shut out and inside air is recirculated. This mode is suitable when driving through dusty or polluted air such as in a tunnel, or when attempting to quickly cool down the interior.

“FRESH AIR” and “RECIRCULATED AIR” are switched alternately each time the air intake selector is pushed.

NOTE:

If you select “RECIRCULATED AIR” for an extended period of time, the air in the vehicle can become contaminated. Therefore, you should occasionally select “FRESH AIR”.

Air conditioning switch (5)

To turn on the air conditioning system, set the blower speed selector to a position other than “OFF” and push in the “A/C” switch. With this “A/C” switch operation, a indicator light will come on when the air conditioning system is on. To turn off the air conditioning system, push the “A/C” switch again.

During operation of the air conditioner, you

5-3

may notice slight changes in engine speed. These changes are normal, the system is designed so that the compressor turns on or off to maintain the desired temperature.

Less operation of the compressor results in better fuel economy.

System Operating Instructions

Natural ventilation

Select “VENTILATION” and “FRESH AIR”, the temperature selector to the desired temperature position, and the blower speed selector to “OFF”. Fresh air will flow through the vehicle during driving.

Forced ventilation

The control settings are the same as for natural ventilation except you set the blower speed selector to a position other than “OFF”.

Normal heating (using outside air)

Select “HEAT” and “FRESH AIR”, the temperature selector to the desired temperature position and the blower speed selector to the desired blower speed position. Setting the blower speed selector to a higher blower speed position increases heating efficiency.

Quick heating (using recirculated air)

The control settings are the same as for normal heating except you select “RECIRCULATED AIR”. If you use this heating method for an extended period of time, the air in the vehicle can become contaminated

and the windows can become misty. Therefore, use this method only for quick heating and change to the normal heating method as soon as possible.

Head cooled/Feet warmed heating

Select “BI-LEVEL” and “FRESH AIR”, the temperature selector to the desired temperature position, and the blower speed selector to the desired blower speed position. Unless the temperature selector is in the fully COLD position or fully HOT position, the air that comes out of the center and side outlets will be cooler than the air that comes out of the floor outlets.

Normal cooling

Set the air flow selector to “VENTILATION”, the temperature selector to the desired temperature position and the blower speed selector to the desired blower speed position, and turn on the “A/C” switch. Setting the blower speed selector to a higher blower speed position increases cooling efficiency.

You can switch the air intake selector to either “FRESH AIR” or “RECIRCULATED AIR” as you desire. Choosing “RECIRCULATED AIR” increases cooling efficiency.

Quick cooling (using recirculated air)

The control settings are the same as for normal cooling except you select “RECIRCULATED AIR” and the highest blower speed.

NOTE:

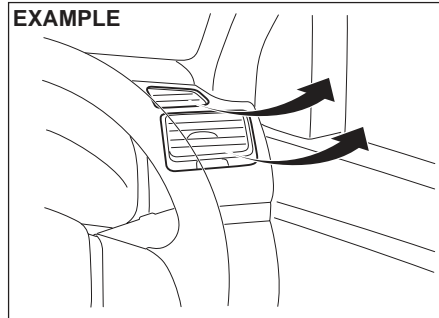
- If you select "RECIRCULATED AIR" for an extended period of time, the air in the vehicle can become contaminated. Therefore, you should occasionally select "FRESH AIR".
- If your vehicle has been left in the sun with the windows closed, it will cool faster if you open the windows briefly while you operate the air conditioner with the air intake selector at "FRESH AIR" and the blower at high speed.

Dehumidifying

Set the air flow selector to a desired air flow selector position, the temperature selector to the desired temperature position and the blower speed selector to the desired blower speed position. Also select "FRESH AIR" and turn on the "A/C" switch.

NOTE:

Because the air conditioner dehumidifies the air, turning it on will help keep the windows clear, even when blowing heated air using the "DEFROST" or "HEAT & DEFROST" functions.



60M-05-013

NOTE:

If you need maximum defrosting:

- select "DEFROST" and "FRESH AIR",
- turn on the "A/C" switch,
- set the blower speed selector to HIGH,
- adjust the temperature selector to the HOT end, and
- adjust the side outlets so the air blows on the side windows.

Maintenance

If you do not use the air conditioner for a long period, such as during winter, it may not give the best performance when you start using it again. To help maintain optimum performance and durability of your air conditioner, it needs to be run periodically. Operate the air conditioner at least once a month for one minute with the engine idling.

This circulates the refrigerant and oil and helps protect the internal components.

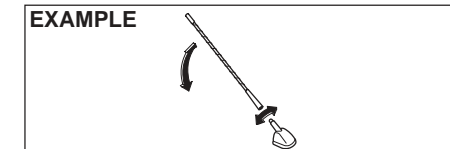
If your air conditioner is equipped with air filters, clean or replace them as specified in the "Maintenance Schedule" in the "INSPECTION AND MAINTENANCE" section. Have this job done by your MARUTI SUZUKI dealer as the lower glove box must be lowered for this job.

NOTE:

Your vehicle uses the air conditioning refrigerant HFC-134a, commonly called "R-134a". R-134a replaced R-12 around 1993 for automotive applications. Other refrigerants are available, including recycled R-12, but only R-134a should be used in your vehicle.

NOTICE

Using the wrong refrigerant may damage your air conditioning system. Use R-134a only. Do not mix or replace the R-134a with other refrigerants.

Radio Antenna

60M-05-014

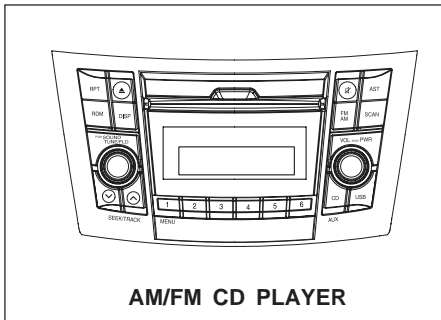
The radio antenna on the roof is removable. To remove the antenna, turn it counterclockwise. To reinstall the antenna, turn it clockwise firmly by hand.

NOTICE

To avoid damage to the radio antenna: Remove the antenna when using an automatic car wash.

- Remove the antenna when the antenna hits anything such as a low ceiling in a parking garage or putting a car cover over your vehicle.

Audio System (if equipped)



60M-05-015

Safety Information

⚠ WARNING

If you pay extended attention to operating the audio system or viewing the audio system display while driving, an accident can occur. If you set the sound volume too loud, it could prevent you from being aware of road and traffic conditions.

- Keep your eyes on the road and your mind on the drive. Avoid paying extended attention to operating the audio system or viewing the audio system display.
- Familiarize yourself with the audio system controls and operation of the audio system before driving.
- Preset your favorite radio stations before driving so that you can quickly tune to them using the presets.
- Set the sound volume to a level that will allow you to continue to be aware of road and traffic conditions while driving.

Notes on Discs

Precautions

- When the inside of the vehicle is very cold and the player is used soon after switching on the heater, condensation may form on the disc or the optical parts

of the player and proper playback may not be possible. If condensation forms on the disc, wipe it off with a soft cloth. If condensation forms on the optical parts of the player, do not use the player for about one hour. This will allow the condensation to disappear normally.

- Driving on extremely bumpy roads which cause severe vibrations may cause sound to skip.
- This unit uses a precision mechanism. Even in the event that trouble arises, never open the case, disassemble the unit, or lubricate the rotating parts. Please bring the unit to an authorized MARUTI SUZUKI dealer.

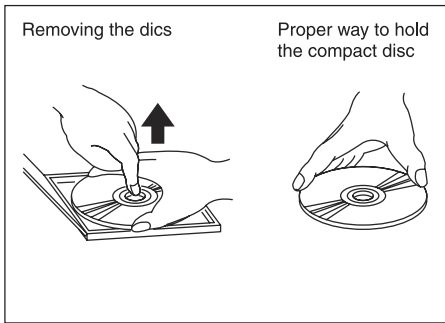
Cautions on Handling



60M-05-016

This unit has been designed specifically for playback of compact discs bearing mark (A) shown above.

No other discs can be played.

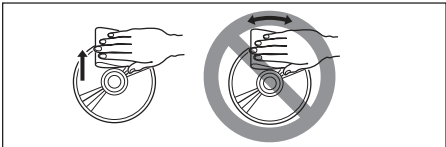


60M-05-017

To remove the compact disc from its storage case, press down on the center of the case and lift the disc out, holding it carefully by the edges.

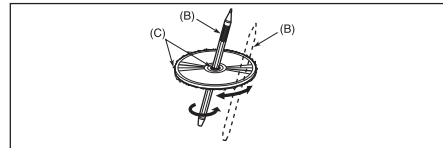
Always handle the compact disc by the edges.

Never touch the surface.



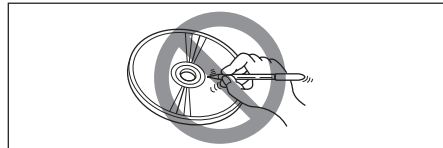
60M-05-018

To remove fingermarks and dust, use a soft cloth, and wipe in a straight line from the center of the compact disc to the circumference.



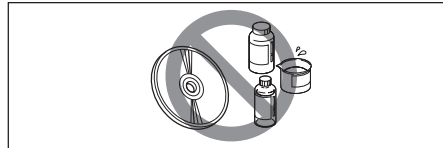
60M-05-019

New discs may have some roughness around the edges. The unit may not work or the sound may skip if such discs are used. Use a ball-point pen (B), etc. to remove the roughness (C) from the edges of the disc before inserting it into the unit.



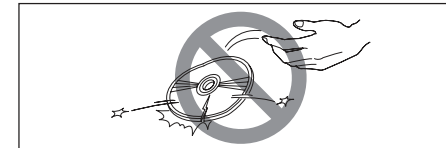
60M-05-020

Never stick labels on the surface of the compact disc or write on the surface with a pencil or pen.



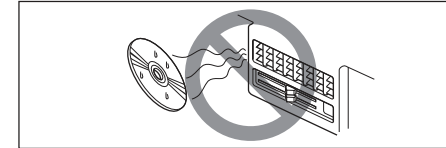
60M-05-021

Do not use any solvents such as commercially available cleaners, anti-static spray, or thinner to clean compact discs.



60M-05-022

Do not use compact discs that have large scratches, are misshaped, or cracked, etc. Use of such discs will cause damage or prevent the system from operating properly.



60M-05-023

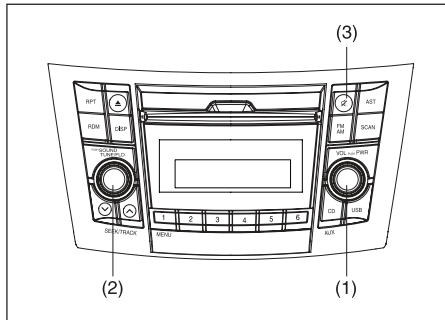
Do not expose compact discs to direct sunlight or any heat source.

NOTE:

- Do not use commercially available CD protection sheets or discs equipped with stabilizers, etc. These may get caught in the internal mechanism and damage the disc.
- It may be impossible to play CD-R discs with this unit due to the recording conditions.
- CD-RW discs cannot be played with this unit.

⚠ WARNING
 This is a class I laser product. Use of controls or adjustments or performance of procedures other than those specified herein may result in hazardous radiation exposure. Do not open covers and do not attempt to repair this unit by yourself. Refer servicing to qualified personnel.

Basic Operations



60M-05-024

- (1) VOL PUSH POWER knob
- (2) TUNE FOLDER PUSH SOUND knob
- (3) MUTE button

Turning power on/off

Press the VOL PUSH POWER knob (1). The unit starts in the function mode it was in when the power was turned off last.

Adjusting the volume

Turn the VOL PUSH POWER knob (1). Turning it clockwise increases the volume; turning it counterclockwise decreases the volume.

NOTE:

While driving, adjust the volume to an extent that sound and/or noise coming from outside the vehicle can be heard.

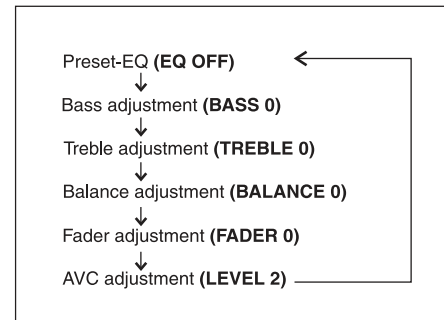
Mute

Press the MUTE button (3) to mute the sound. To cancel the mute, press the MUTE button (3) again.

Adjusting bass/treble/balance /fader

- 1) Press the TUNE FOLDER PUSH SOUND knob (2).

Each time the knob is pressed, sound adjustment will change as follows:



60M-05-025

- 2) Turn the TUNE FOLDER PUSH SOUND knob (2) to adjust the sound.

Adjusting the AVC (Auto volume control)

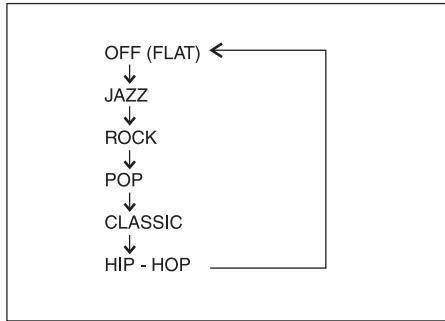
The Auto Volume Control (AVC) function automatically adjusts (increases/ decreases) the sound volume in accordance with vehicle speed. The AVC control is provided with three selectable levels (LEVEL OFF, 1, 2, 3). The range of volume adjustment increases together with the LEVEL number.

- 1) Press the TUNE FOLDER PUSH SOUND knob (2) until the AVC adjustment mode is selected.
- 2) Turn the TUNE FOLDER PUSH SOUND knob (2) to select the desired AVC adjustment level. (Initial setting: LEVEL 2)

Preset-EQ

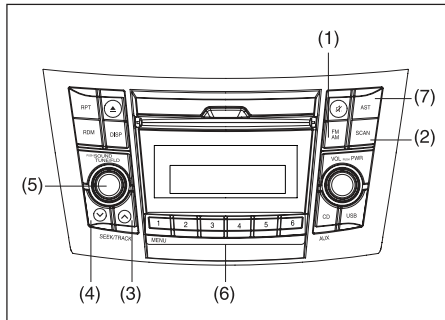
Preset-EQ calls up various sound types in accordance with the listening music type.

- 1) Press the TUNE FOLDER PUSH SOUND knob (2) several times until "PRESET-EQ" appears.
- 2) Turn the TUNE FOLDER PUSH SOUND knob (2). Each time the knob is turned, preset EQ mode will change as follows:



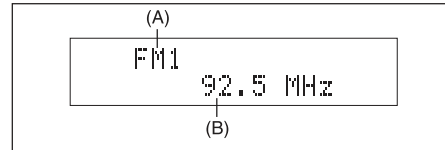
60M-05-026

Listening to the Radio



60M-05-027

Display



60M-05-028

- (1) FM/AM button
- (2) SCAN button
- (3) Up button
- (4) Down button
- (5) TUNE FOLDER PUSH SOUND knob
- (6) Preset buttons ([1] to [6])
- (7) AST button

- (A) Band
- (B) Frequency

Selecting the reception band

Press the FM/AM button (1). Each time the button is pressed, the reception band will change as follows:



60M-05-029

Seek tuning

Press the seek Up button (3) or the seek Down button (4).

The unit stops searching for a station at a frequency where a broadcast station is available.

Manual tuning

Turn the TUNE FOLDER PUSH SOUND knob (5).

The frequency being received is displayed.

Scan

Press the SCAN button (2).

It starts seeking upward (higher frequency), and pauses for 5 seconds to receive the band, and sequentially repeats seeking and play.

NOTE:

- When the SCAN button (2) is pressed while pausing for receiving, it cancels the scan operation and continuously receives the station.
- When the SCAN button (2) is pressed while searching, it cancels the scan operation and stops at next receivable station.

Preset memory

- 1) Select the desired station.
- 2) Hold down a desired button ([1] to [6]) of the Preset buttons (6) to which you want to store the station for 2 seconds or longer.

Auto store

Hold down the AST button (7) for 2 seconds or longer.

Six stations in good reception will automatically be stored to the Preset buttons (5) in order, starting from a station whose frequency is the lowest.

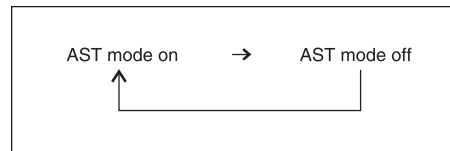
NOTE:

- Auto store can be released by pressing AST button (7) while auto store is under way.
- When the auto store is performed, the station previously stored in the memory at the position is overwritten.
- When there are fewer than 6 stations that can be stored even if 1 round of auto store operation is performed, no station will be stored at the remaining Preset buttons (6).
- 6 stations can be preset for FM1 and FM2 in common, and 6 stations for AM in auto store mode.

Auto store mode on/off

Press the AST button (7).

Each time the button is pressed, the mode is switched as follows:

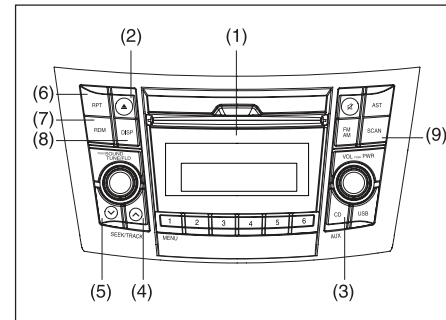


60M-05-030

Radio Reception

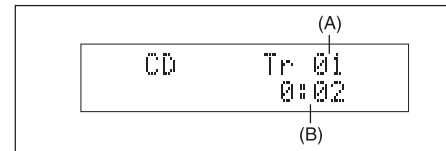
Radio reception can be affected by environment, atmospheric conditions, or radio signal's power and distance from the station. Nearby mountains and buildings may interfere or deflect radio reception, causing poor reception. Poor reception or radio static can also be caused by electric current from overhead wires or high voltage power lines.

Listening to a CD



60M-05-031

Display



60M-05-032

- (1) Insertion slot
- (2) Eject button
- (3) CD button
- (4) Up button
- (5) Down button
- (6) RPT button
- (7) RDM button
- (8) DISP button
- (9) SCAN button

- (A) Track number
- (B) Play time

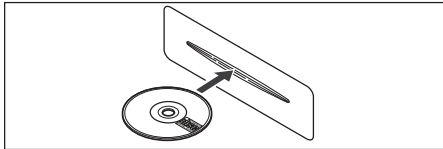
NOTE:

This product does not support 8 cm CD (sometimes called as "mini single CD", "3-inch CD", "CD3", etc.).



60M-05-033

- CDs or CD-ROMs carrying no mark (A) cannot be used.
- Some discs recorded in CD-R/CD-RW format may sometimes be impossible to use.



60M-05-034

- A CD is to be inserted with its label side up.
- When there is a CD already in the unit, it is impossible to insert another CD without ejecting the CD in the unit. Do not use force to insert a CD into the CD insertion slot.

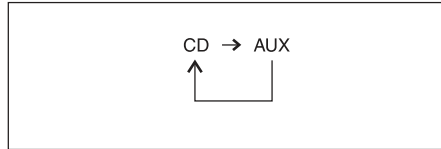
NOTICE

- **Never insert your finger or hand into the CD insertion slot. Never insert foreign objects.**
- **Never insert a CD with glue coming out from adhesive tape or a rental CD label or with a trace indicating that adhesive tape or a rental CD label has been removed. This may cause the CD not to eject or result in a malfunction.**

Selecting a CD mode

Press the CD button (3).

Each time the button is pressed, the mode will change as follows:



60M-05-035

Loading a CD

Insert a CD in the Insertion slot (1).

When a CD is loaded, play starts.

Ejecting a CD

Press the Eject button (2).

When the ignition mode is "LOCK", the CD remained ejected for around 15 seconds or longer will automatically be drawn inside the unit. (Auto reload function)

The backup eject function:

This function allows you to eject a CD by pressing the Eject button (2) even when the ignition mode is off.

NOTICE

If you forcefully try to push an ejected CD inside the unit before auto reloading, the disc surface might be scratched.

When reloading a CD, remove it from the unit completely before reloading.

Listening to a CD

When a CD is inserted, playback will automatically start.

When a CD is already inside the unit, press the CD button (3) to start playback.

Selecting a track

- Press the Up button (4) to listen to the next track.
- Press the Down button (5) twice to listen to the previous track.
- When the Down button (5) is pressed once, the track currently being played will start from the beginning again.

Fast forwarding/Rewinding a track

- Hold down the Up button (4) to fast forward the track.
- Hold down the Down button (5) to fast rewind the track.

Track scan play

Press the SCAN button (9).

The first 10 seconds of each track in the disc is played in sequence.

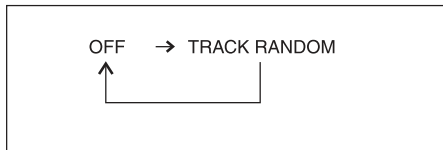
NOTE:

- *When the scan play is done for one round, the normal playback starts.*
- *To cancel the scan play, press the SCAN button (9) again.*

Random playback

Press the RDM button (7).

Each time the button is pressed, the mode will change as follows:

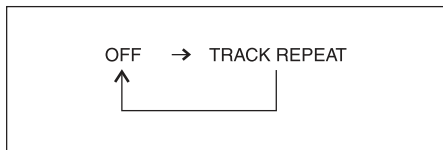


60M-05-036

- **TRACK RANDOM**
The random indicator "RDM" will light. The tracks in the loaded disc will be played in random order.

Repeat playback

Press the RPT button (6). Each time the button is pressed, the mode will change as follows:

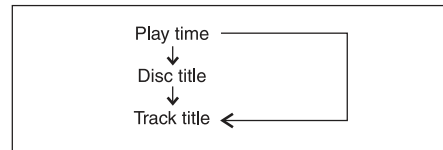


60M-05-037

- **TRACK REPEAT**
The repeat indicator "RPT" will light. The track currently being played will be played repeatedly.

Display change

Press the DISP button (8). Each time the button is pressed, display will change as follows:

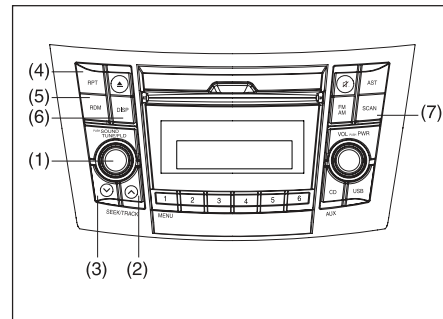


60M-05-038

NOTE:

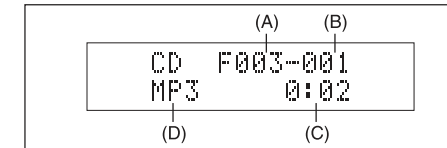
- "NO TITLE" will be displayed when there is no text information in the disc currently being played.
- If text data contains more than 12 characters, the ">" mark will appear at the right end. Holding down the DISP button (8) for 1 second or longer can display the next page.

Listening to an MP3/WMA Disc



60M-05-039

Display



60M-05-040

- (1) TUNE FOLDER PUSH SOUND knob
- (2) Up button
- (3) Down button
- (4) RPT button
- (5) RDM button
- (6) DISP button
- (7) SCAN button

- (A) Folder number
- (B) Track number
- (C) Play time
- (D) MP3/WMA indicator

Selecting a folder

Turn the TUNE FOLDER PUSH SOUND knob (1) to select a folder.

Selecting a track

- Press the Up button (2) to listen to the next track.
- Press the Down button (3) twice to listen to the previous track.
- When the Down button (3) is pressed once, the track currently being played will start from the beginning again.

Fast forwarding/Rewinding a track

- Hold down the Up button (2) to fast forward the track.
- Hold down the Down button (3) to fast rewind the track.

Scan play

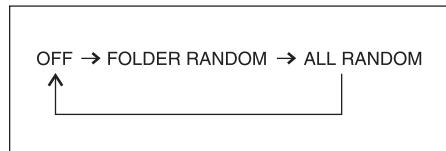
- **FILE SCAN**
Press the SCAN button (7).
The first 10 seconds of each file in the currently playing folder is played in sequence.
- **FOLDER SCAN**
Press the SCAN button (7) for 1 second or longer.
The first 10 seconds of the first file in each folder stored in the disc is played in sequence.

NOTE:

- When the scan play is done for one round, the normal playback starts.
- To cancel the scan play, press the SCAN button (7) again.

Random playback

Press the RDM button (5).
Each time the button is pressed, the mode will change as follows:

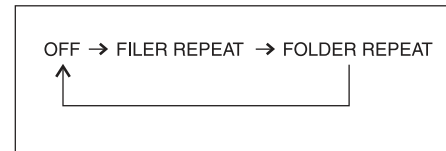


60M-05-041

- **FOLDER RANDOM**
The random indicator "RDM.F" will light.
The tracks in the current folder will be played in random order.
- **ALL RANDOM**
The random indicator "RDM" will light.
The tracks in the loaded disc will be played in random order.

Repeat playback

Press the RPT button (4).
Each time the button is pressed, the mode will change as follows:

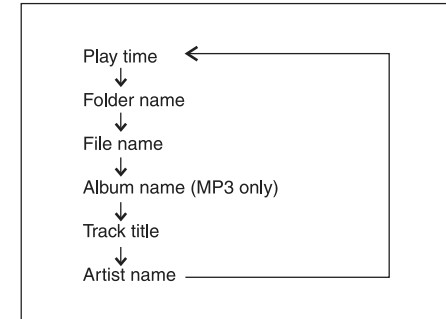


60M-05-042

- **FILE REPEAT**
The repeat indicator "RPT" will light.
The track currently being played will be played repeatedly.
- **FOLDER REPEAT**
The repeat indicator "RPT.F" will light.
All tracks in the currently selected folder will be played repeatedly.

Display change

Press the DISP button (6).
Each time the button is pressed, display will change as follows:



60M-05-043

NOTE:

- "NO TITLE" will be displayed when there is no text information in the disc currently being played.
- If text data contains more than 12 characters, the ">" mark will appear at the right end. Holding down the DISP button (6) for 1 second or longer can display the next page.

Notes on MP3/WMA**What is MP3/WMA?**

MP3 (MPEG1/2 Audio Layer-III) and WMA (Windows Media™ Audio) are the compression formats of digital audio. The former is developed by MPEG (Motion Picture Experts Group), and the latter is developed by Microsoft Corporation.

Using these compression formats, you can record contents of about 10 music CDs on a single CD media. (This figure refers to data recorded on a 650 MB CD-R or CD-RW at a fixed bit rate of 128 kbps and a sampling frequency of 44.1 kHz.)

Points to remember when making MP3/WMA files**Common**

- High bit rate and high sampling frequency are recommended for high quality sounds.
- Selecting VBR (Variable Bit Rate) is not recommended. Selecting VBR may cause display of incorrect playing time and jumpiness of playback.
- Playback sound quality varies depending on the encoding environment. For details, refer to the user manual of the encoding software and the writing software in use.

MP3

- It is recommended to set the bit rate to "128 kbps or more" and "fixed".

5-13

WMA

- It is recommended to set the bit rate to "64 kbps or more" and "fixed".
- Do not set the copy protect attribute on the WMA file to enable this unit to playback.

NOTICE

Never assign the ".mp3", or ".wma" file name extension to a file if it is not in the MP3/WMA format file. Failure to observe this may result in damage to the speaker due to noise production.

Recording MP3/WMA files on a CD media

- It is recommended not to write both CD-DA files and MP3/WMA files on a disc.
- If both CD-DA files and MP3/WMA files are on the same disc, tracks may not be played in the correct order or some tracks may not be played at all.
- When storing both MP3 data and WMA data on the same disc, sort and place them in different folders.
- Do not write files other than MP3/WMA files and unnecessary folders on a disc.
- MP3/WMA files should be named to meet the standards and the file system specifications as shown below.
- The file extension ".mp3" or ".wma" should be assigned to files based on their format independently.

- You may encounter a trouble in playing MP3/WMA files or displaying information of MP3/WMA files depending on the writing software or CD recorder in use.
- This unit does not have a play list function.
- It is recommended to write discs in Disc-at-Once mode even though Multi-session mode is supported.

Compression formats**MP3**

- Bit rate:
 - MPEG1 Audio Layer III: 64 k -320 kbps
 - MPEG2 Audio Layer III: 64 k - 160 kbps
- Sampling frequency:
 - MPEG1 Audio Layer III: 32 k/44.1 k/48 kHz
 - MPEG2 Audio Layer III: 16 k/22.05 k/24 kHz

WMA (Ver.7, Ver.8)

- Bit rate: CBR 48 k -192 kbps
- Sampling frequency: 32 k/44.1 k/48 kHz

WMA (Ver. 9*)

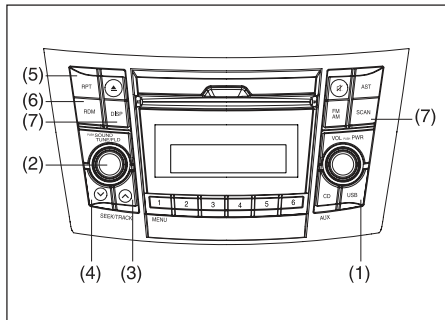
- Bit rate: CBR 48 k - 320 kbps
- Sampling frequency: 32 k/44.1 k/48 kHz
- * WMA 9 Professional/LossLess/Voice are not supported.

Supported file systems

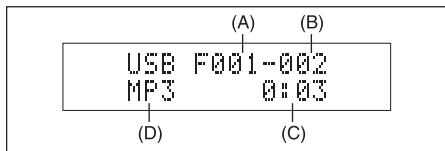
ISO 9660 Level 1/Level 2, Joliet, Romeo

Maximum number of files/folders

- Maximum number of files: 512 (files + folders)
- Maximum number of files in a folder: 512
- Maximum depth of tree structure: 8
- Maximum number of folders: 255 (Root folder is included.)

Listening to files stored in a USB device

60M-05-044

Display

60M-05-045

- (1) USB button
- (2) TUNE FOLDER PUSH SOUND knob
- (3) Up button
- (4) Down button
- (5) RPT button
- (6) RDM button
- (7) DISP button
- (8) SCAN button

- (A) Folder number
- (B) Track number
- (C) Play time
- (D) MP3/WMA indicator

NOTICE

Do not connect any USB device other than a USB memory or a USB audio player. Do not connect multiple USB devices to the USB connector using a USB hub, etc. Supplying power to multiple USB devices from the connector could cause overheating and smoking.

Selecting a USB device mode

Press the USB button (1).

Selecting a folder

Turn the TUNE FOLDER PUSH SOUND knob (2) to select the desired folder.

Selecting a track

- Press the Up button (3) to listen to the next track.

- Press the Down button (4) twice to listen to the previous track.
- When the Down button (4) is pressed once, the track currently being played will start from the beginning again.

Fast forwarding/Rewinding a track

- Hold down the Up button (3) to fast forward the track.
- Hold down the Down button (4) to fast rewind the track.

Scan play

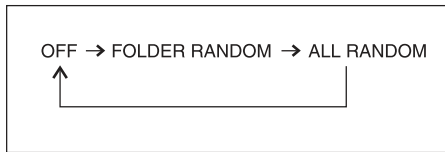
- FILE SCAN
Press the SCAN button (8).
The first 10 seconds of each file in the currently playing folder is played in sequence.
- FOLDER SCAN
Press the SCAN button (8) for 1 second or longer.
The first 10 seconds of the first file in each folder stored in the USB is played in sequence.

NOTE:

- When the scan play is done for one round, the normal playback starts.
- To cancel the scan play, press the SCAN button (8) again.

Random playback

Press the RDM button (6). Each time the button is pressed, the mode will change as follows:

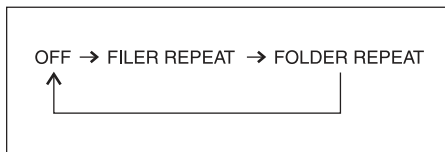


60M-05-046

- **FOLDER RANDOM**
The random indicator "RDM.F" will light. The tracks in the currently selected folder will be played in random order.
- **ALL RANDOM**
The random indicator "RDM" will light. The tracks in the connected USB device will be played in random order.

Repeat playback

Press the RPT button (5). Each time the button is pressed, the mode will change as follows:



60M-05-047

- **FILE REPEAT**
The repeat indicator "RPT" will light.

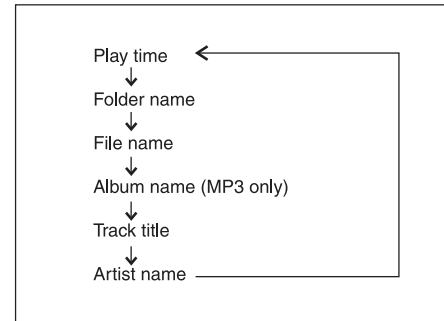
5-15

The track currently being played will be played repeatedly.

- **FOLDER REPEAT**
The repeat indicator "RPT.F" will light. All the tracks in the folder currently selected will be played repeatedly.

Display change

Press the DISP button (7). Each time the button is pressed, display will change as follows:



60M-05-48

NOTE:

- "NO TITLE" will be displayed when there is no text information in the disc currently being played.
- If text data contains more than 12 characters, the ">" mark will appear at the right end. Holding down the DISP button (7) for 1 second or longer can display the next page.

Notes on USB device

Compatible USB devices

- USB Mass Storage Class
For details as to whether your USB memory/USB Audio is compatible with USB Mass Storage Class, please contact the USB memory/USB Audio manufacturer.
- USB Standard Compatibility 1.1/2.0 Full Speed
- File System FAT16/32
- Maximum current less than 500 mA
- Capacity less than 4 GB (1 partition)

USB device connection

- When connecting a USB device, make sure that the connector is pushed all the way into the port.
- Do not leave the USB device for long periods of time in places inside the vehicle where the temperature can rise too high.
- Back up any important data beforehand. We cannot accept responsibility for any lost data.
- It is recommended not to connect a USB device that contains data files other than MP3/WMA format.

Recording MP3/WMA files on a USB device

- Playback or display may not be possible depending on the type of USB

device in use or the condition of the recording.

- Depending on the connected USB memory, the files may be played in different order from the order that the files were stored.

Compression formats

MP3

- Bit rate:
 - MPEG1 Audio Layer III: 64 k -320 kbps
 - MPEG2 Audio Layer III: 64 k - 160 kbps
- Sampling frequency:
 - MPEG1 Audio Layer III: 32 k/44.1 k/48 kHz
 - MPEG2 Audio Layer III: 16 k/22.05 k/24 kHz

WMA (Ver.7, Ver.8)

- Bit rate: CBR 48 k -192 kbps
- Sampling frequency: 32 k/44.1 k/48 kHz

WMA (Ver.9*)

- Bit rate: CBR 48 k - 320 kbps
- Sampling frequency: 32 k/44.1 k/48 kHz

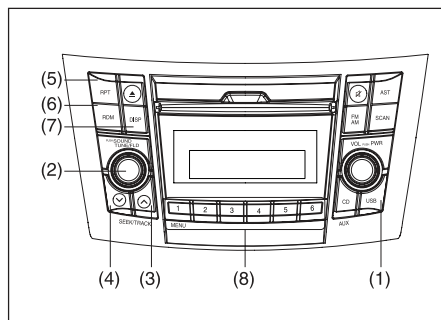
* WMA 9 Professional/LossLess/Voice are not supported.

Maximum number of files/folders

- Maximum number of files: 2500 (files + folders)
- Maximum number of files in a folder: 255
- Maximum depth of tree structure: 8
- Maximum number of folders: 255 (Root folder is included.)

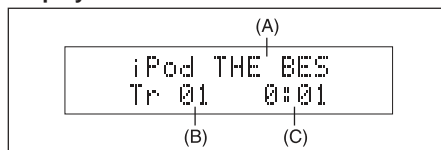
93

Listening to an iPod®



60M-05-049

Display



60M-05-050

- USB button
- TUNE FOLDER PUSH SOUND knob
- Up button
- Down button
- RPT button
- RDM button
- DISP button
- Preset buttons ([1] to [6])

- Track title
- Track number
- Play time

Selecting an iPod® mode

Press the USB button (1).

Selecting a track

- Press the Up button (3) to listen to the next track.
- Press the Down button (4) twice to listen to the previous track. When the Down button (4) is pressed once, the track currently being played will start from the beginning again.

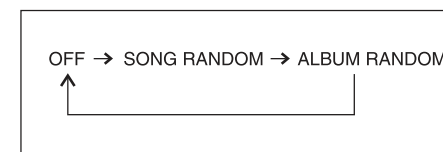
Fast forwarding/Rewinding a track

- Hold down the Up button (3) to fast forward the track.
- Hold down the Down button (4) to fast rewind the track.

Random playback

Press the RDM button (6).

Each time the button is pressed, the mode will change as follows:



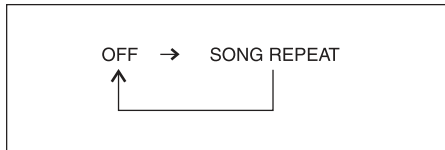
60M-05-051

- SONG RANDOM

- The random indicator "RDM" will light. The tracks in the iPod® will be played in random order.
- **ALBUM RANDOM**
The random indicator "D.RDM" will light. The albums in the iPod® will be played in random order.

Repeat playback

Press the RPT button (5). Each time the button is pressed, the mode will change as follows:

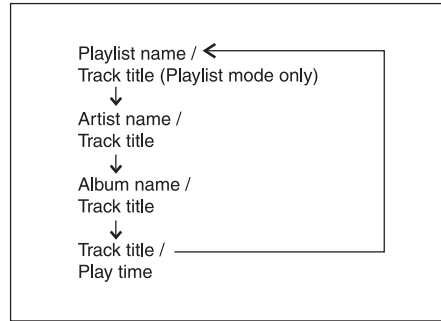


60M-05-052

- **SONG REPEAT**
The repeat indicator "RPT" will light. The track currently being played will be played repeatedly.

Display change

Press the DISP button (7). Each time the button is pressed, display will change as follows:



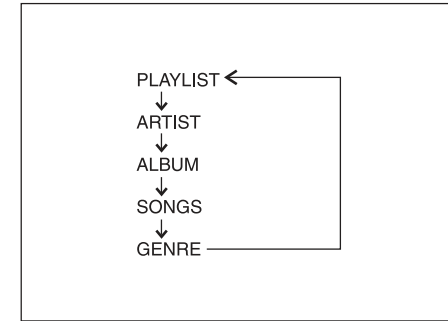
60M-05-053

NOTE:

If text data contains more than 12 characters, the ">" mark will appear at the right end. Holding down the DISP button (7) for 1 second or longer can display the next page.

Playing Mode selection

- 1) Press the button numbered [6] of the Preset buttons (8) for 1 second or longer.
- 2) Turn the TUNE FOLDER PUSH SOUND knob (2). Each time the knob is turned, the mode will change as follows:



60M-05-054

- 3) Press the TUNE FOLDER PUSH SOUND knob (2) to select the desired mode.

NOTE:

- When the button numbered [6] of the Preset buttons (8) is pressed, the previous mode will be displayed.

Notes on iPod®

Supported iPod®

- iPod® touch
- iPod® classic
- iPod® nano (4th generation)
- iPod® nano (3rd generation)
- iPod® nano (2nd generation)
- iPod® nano (1st generation)
- iPod® (5th generation)
- iPhone®
- iPhone® 3G

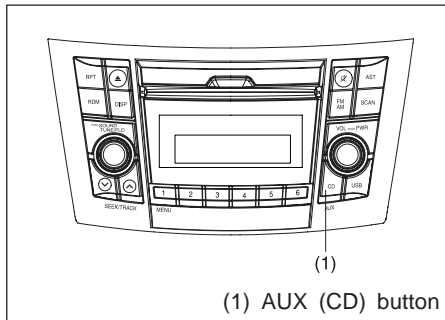
* Some functions may not be available depending on the model of iPod®.

- * iPod® is a trademark of Apple Inc., registered in the U.S. and other countries.
- * iPhone® is a trademark of Apple Inc., registered in the U.S. and other countries.
- * Apple is not responsible for the operation of this device or its compliance with safety and regulatory standards.

iPod® connection

- Make sure to detach the iPod® after pressing the engine switch to change the ignition mode to LOCK. The iPod® may not be shut down when it is being connected and may result in battery depletion.
- Please do not connect iPod® accessories such as an iPod® remote control or headphones while connecting the iPod® with the unit. The unit may not operate correctly.

AUX Function



60M-05-055

AUX connection

To listen to auxiliary audio sources (sold separately) through the unit, follow the instruction below.

- 1) Press the AUX (CD) button (1).
- 2) Connect the auxiliary audio source to the AUX/USB socket (separately attached) with an AUX cable.

CAUTION:

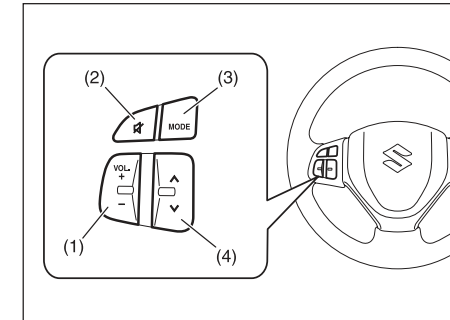
- Before connection, mute the unit, and also keep the volume of the auxiliary audio source within a range that will not cause distortion.
- When the audio source is turned off, noise may be emitted. Be sure to turn off the unit or switch to another mode before turning off the audio source.

NOTE:

- Please consult your place of purchase for details about whether a given auxiliary audio source can be connected and the proper auxiliary cord to use.
- The volume and tone controls of the auxiliary audio source can be adjusted on the unit.
- In AUX mode, the volume setting is different from another mode.

Remote Audio Controls (if equipped)

Controlling of basic functions of the audio system is available using the switches on the steering wheel.



60M-05-056

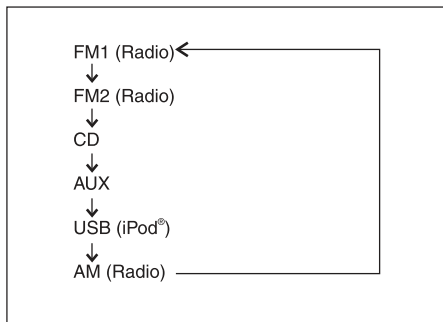
Adjusting the volume

- To increase the volume, hold down “+” of the VOL switch (1). The volume will keep on being increased until the switch is released.
- To decrease the volume, hold down “-” of the VOL switch (1). The volume will keep on being decreased until the switch is released.
- To mute the sound, press the switch (2).

Selecting the mode

Press the switch (3).

Each time the button is pressed, the mode will change as follows:



60M-05-057

It is possible to turn on the audio system by pressing the switch (3).

Selecting the radio station (FM1, FM2, AM mode)

- To select the next preset station, press “” of the switch (4) only for a moment.
- To select the previous preset station, press “” of the switch (4) only for a moment.
- To scan a higher frequency radio station, press “” of the switch (4) for 1 second or longer.
- To scan a lower frequency radio station, press “” of the switch (4) for 1 second or longer.

5-19

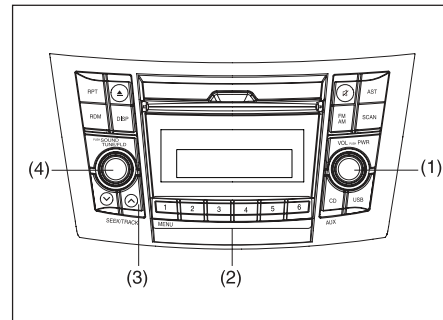
Selecting the track (CD, USB (iPod®) mode)

- To skip to the next track, press “” of the switch (4) only for a moment.
- To skip to the previous track, press “” of the switch (4) twice only for a moment.

When the switch (4) is pushed down once only for a moment, the track currently being played will start from the beginning again.

Fast forwarding/Rewinding a track

- To fast forward, press “” of the switch (4) for 1 second or longer.
- To fast rewind, press “” of the switch (4) for 1 second or longer.

Anti-Theft Feature

60M-05-058

- (1) VOL PUSH POWER knob
- (2) Preset buttons ([1] to [6])
- (3) Up button
- (4) TUNE FOLDER PUSH SOUND knob

The anti-theft function is intended to discourage thefts, such as that the audio system becomes inoperable when it is installed on other vehicles.

This function works by entering a Personal Identification Number (PIN).

When the unit is disconnected from its power source, such as when the audio system is removed or the battery is disconnected, the unit will become inoperable until the PIN is reentered.

Setting the Anti-Theft Function

- 1) Press the VOL PUSH POWER knob (1) to power off.
- 2) Hold down the buttons numbered [1] and [6] of the Preset buttons (2) and press the VOL PUSH POWER knob (1). “SECURITY” will be displayed.
- 3) Press the Up button (3) and the button numbered [1] of the Preset buttons (2) simultaneously.
- 4) Enter a 4-digit number to be registered as PIN using the buttons numbered [1] - [4] of the Preset buttons (2).
- 5) Hold down the TUNE FOLDER PUSH SOUND knob (4) for 1 second or longer to set the anti-theft function.

NOTE:

Take a note of the registered PIN and keep it for the future use.

Canceling the anti-theft feature

To cancel the anti-theft function, delete the registered PIN.

- 1) Press the VOL PUSH POWER knob (1) to power off.
- 2) Hold down the buttons numbered [1] and [6] of the Preset buttons (2) and press the VOL PUSH POWER knob (1). "PIN ENTRY" will be displayed.
- 3) Press the Up button (3) and the button numbered [1] of the Preset buttons (2) simultaneously.
- 4) Enter a 4-digit number to be registered as PIN using the buttons numbered [1] - [4] of the Preset buttons (2).
- 5) Hold down the TUNE FOLDER PUSH SOUND knob (4) for 1 second or longer to delete the registered PIN. The indication "—" will be displayed and the anti-theft function will be canceled.

NOTE:

To change your PIN, first delete your current PIN, then set a new one.

Confirming the Personal Identification Number (PIN)

When the main power source is disconnected such as when the battery is replaced, etc, it is required to enter the PIN

97

to make the unit operable again.

- 1) Set the ignition switch to the "ACC" position. "SECURITY" will be displayed.
- 2) Press the Up button (3) and the button numbered [1] of the Preset buttons (2) simultaneously.
- 3) Enter a 4-digit number to be registered as PIN using the buttons numbered [1] - [4] of the Preset buttons (2).
- 4) Hold down TUNE FOLDER PUSH SOUND knob (4) for 1 second or longer. When the PIN same as registered is entered, the power of the audio system will be turned off automatically and it will become operable again.

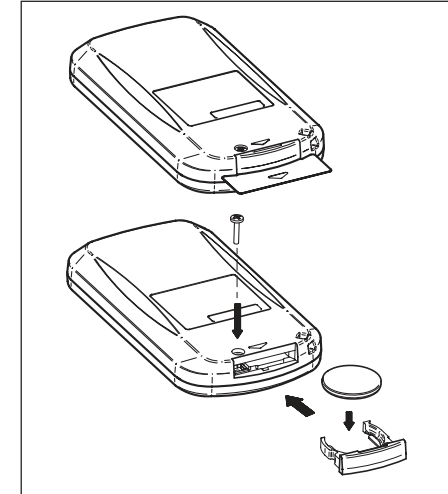
NOTE:

If an incorrect PIN is entered, "ERROR" and the total number of incorrect entry attempts will be displayed.

If an incorrect PIN is entered 10 times or more, "HELP" will be displayed and the audio system will become inoperable.

Battery Installation

Install a lithium battery (CR2025) with the poles facing the correct direction.



60M-05-059

Battery replacement timing

- When battery power is depleted, the button may not be operable. If the remote controller does not operate, replace the battery and check the operation.

Caution on battery

- Be sure to follow the instructions to prevent battery leakage, over-heating, ignition or explosion.

⚠ WARNING

- Do not expose the battery to flame. Do not short circuit, disassemble, or heat the battery.
- Do not charge the battery.
- Use the specified type battery.
- Keep the button-shaped battery away from children to prevent accidental swallowing.
- If the battery is swallowed, contact a doctor immediately.

⚠ CAUTION

- Install the battery with the poles facing the correct direction.
- When not in use for a long period of time, or if the battery is dead, remove the battery from the remote controller.

If battery leakage has occurred, wipe the container first then install a new battery. If the battery solution contacts the skin, wash off with water completely.

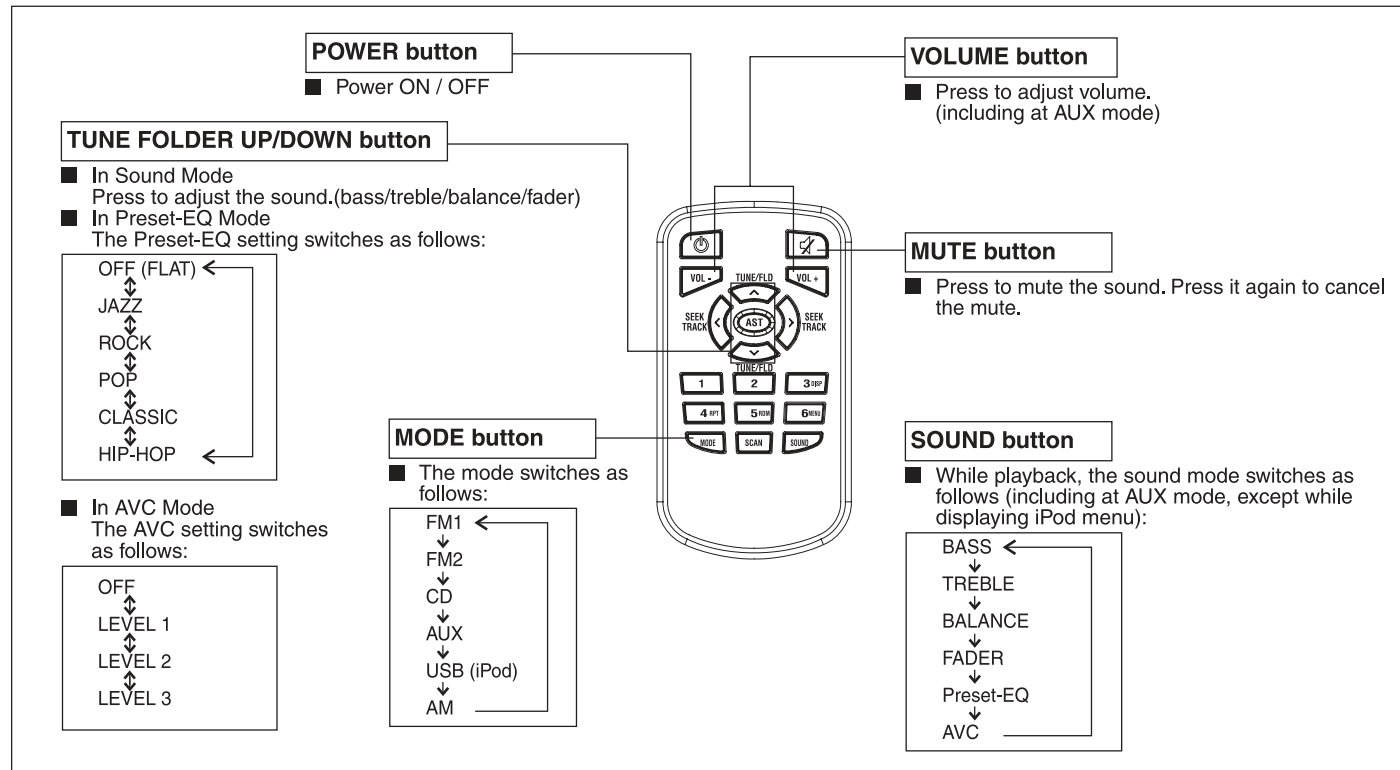
Caution on Remote Controller

- Do not leave the remote controller in an area exposed to direct sunlight, such as on the dashboard or steering wheel. The remote controller may deform because of the heat, (Be especially careful of the

dashboard exposed to direct sunlight in the summer, as it will become extremely hot).

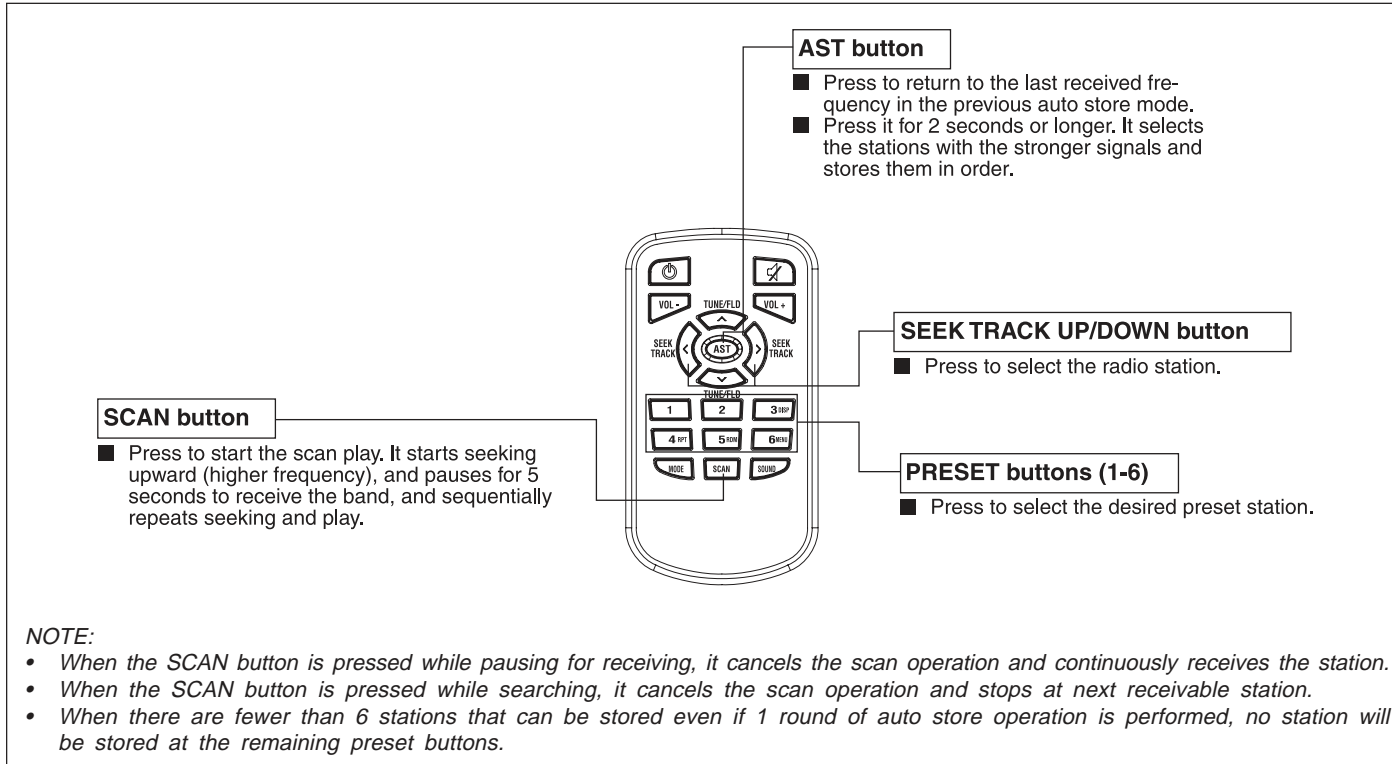
- When the vehicle is parked in an area exposed to direct sunlight, Ensure the remote controller is placed in an area not exposed to direct sunlight. For example: Glove box. Under direct sunlight, signal reception from the remote controller weakens. If this happens, hold the remote controller close to the signal receptor on the front panel.

Remote Controller
Common operations



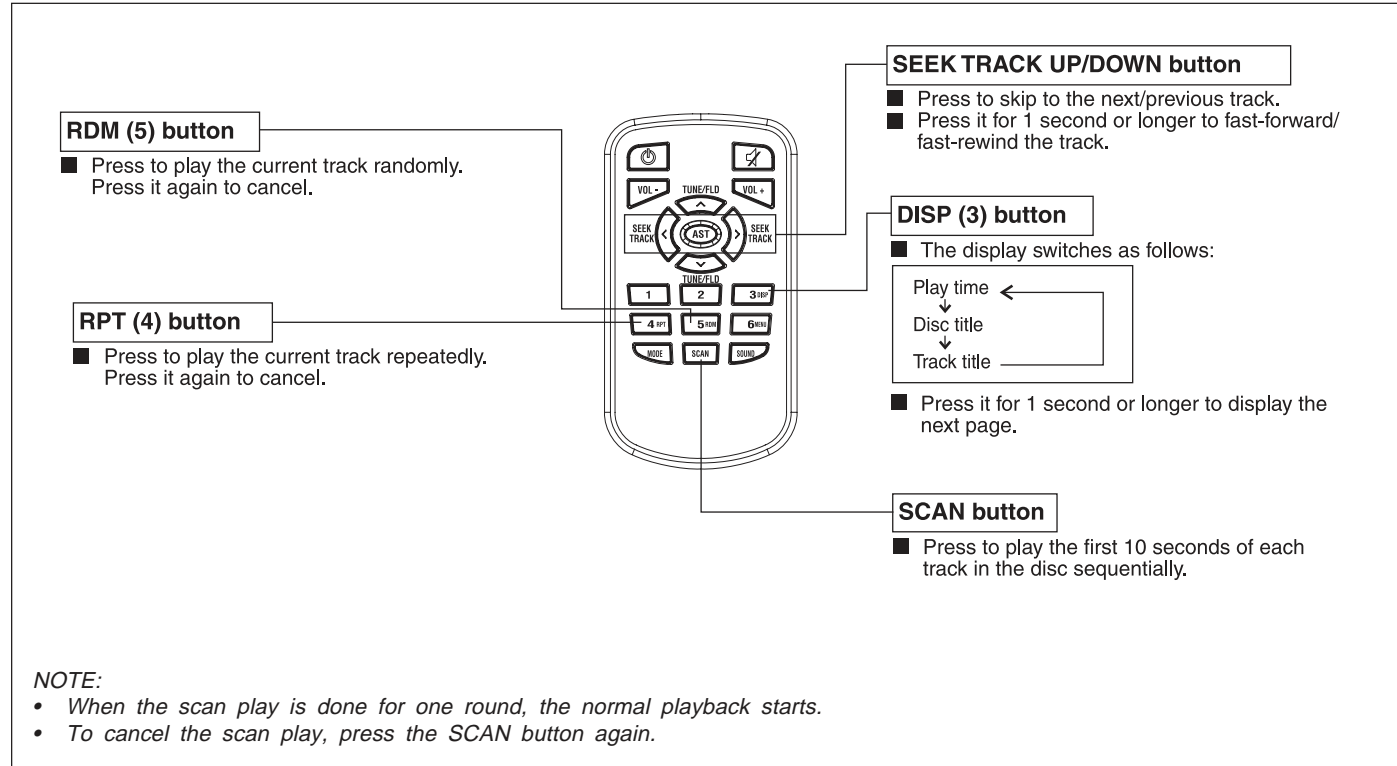
60M-05-060

Radio operations



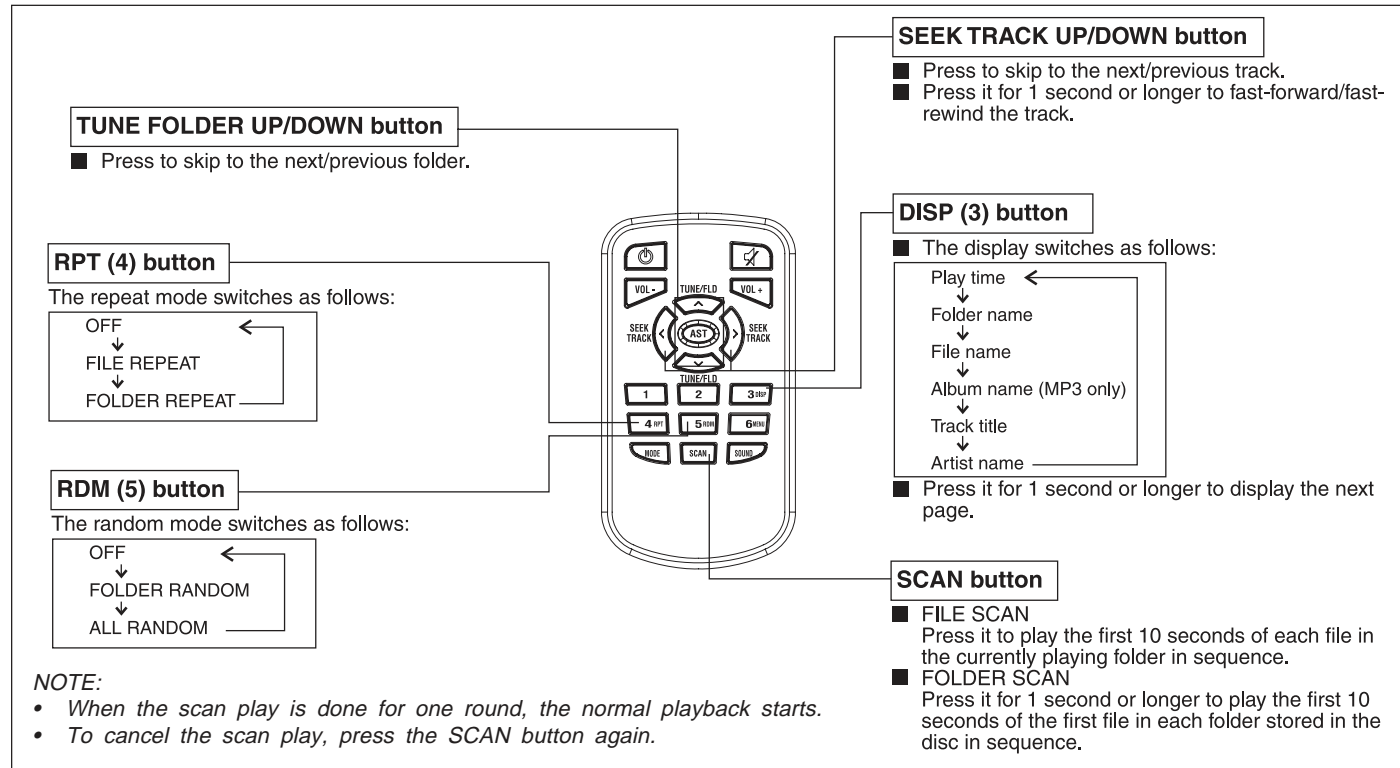
60M-05-061

CD operations



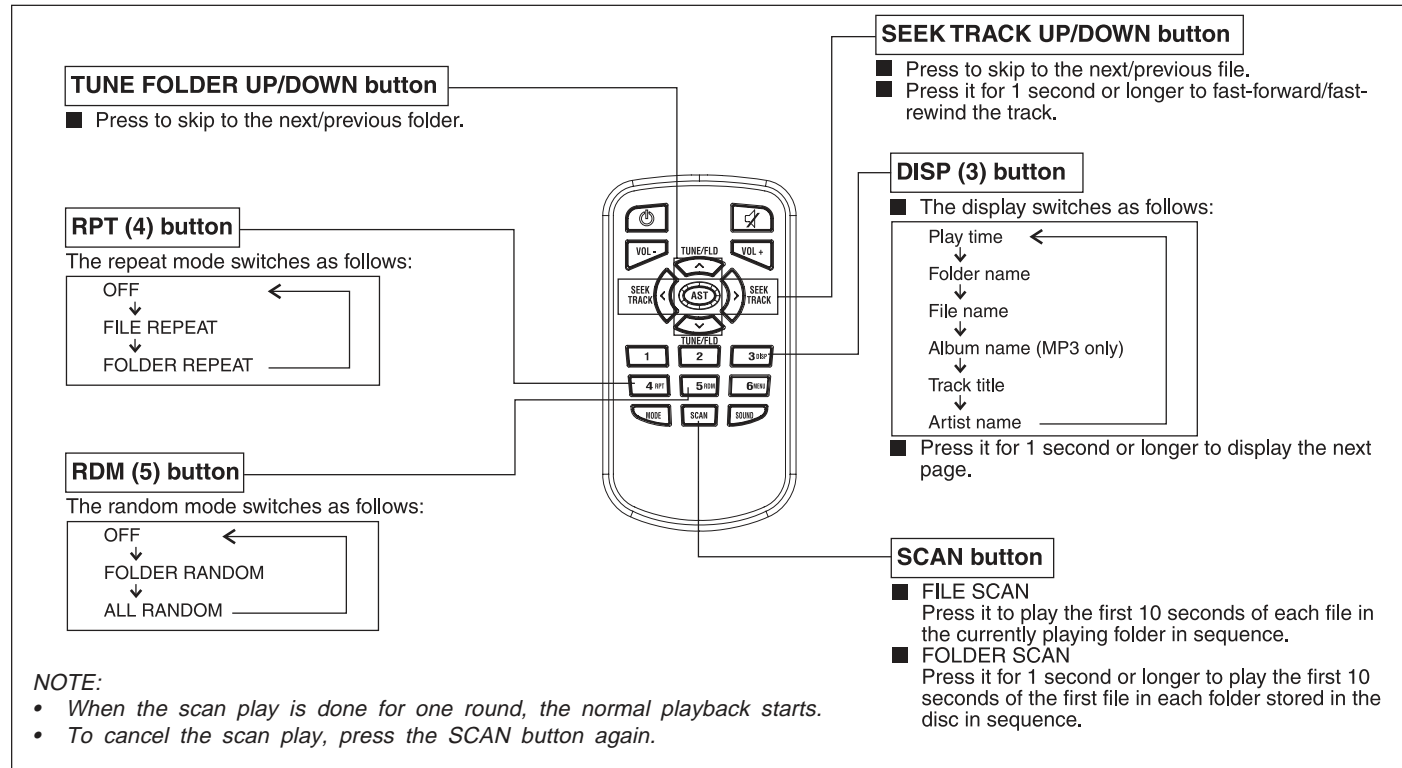
60M-05-062

MP3/WMA Disc operations



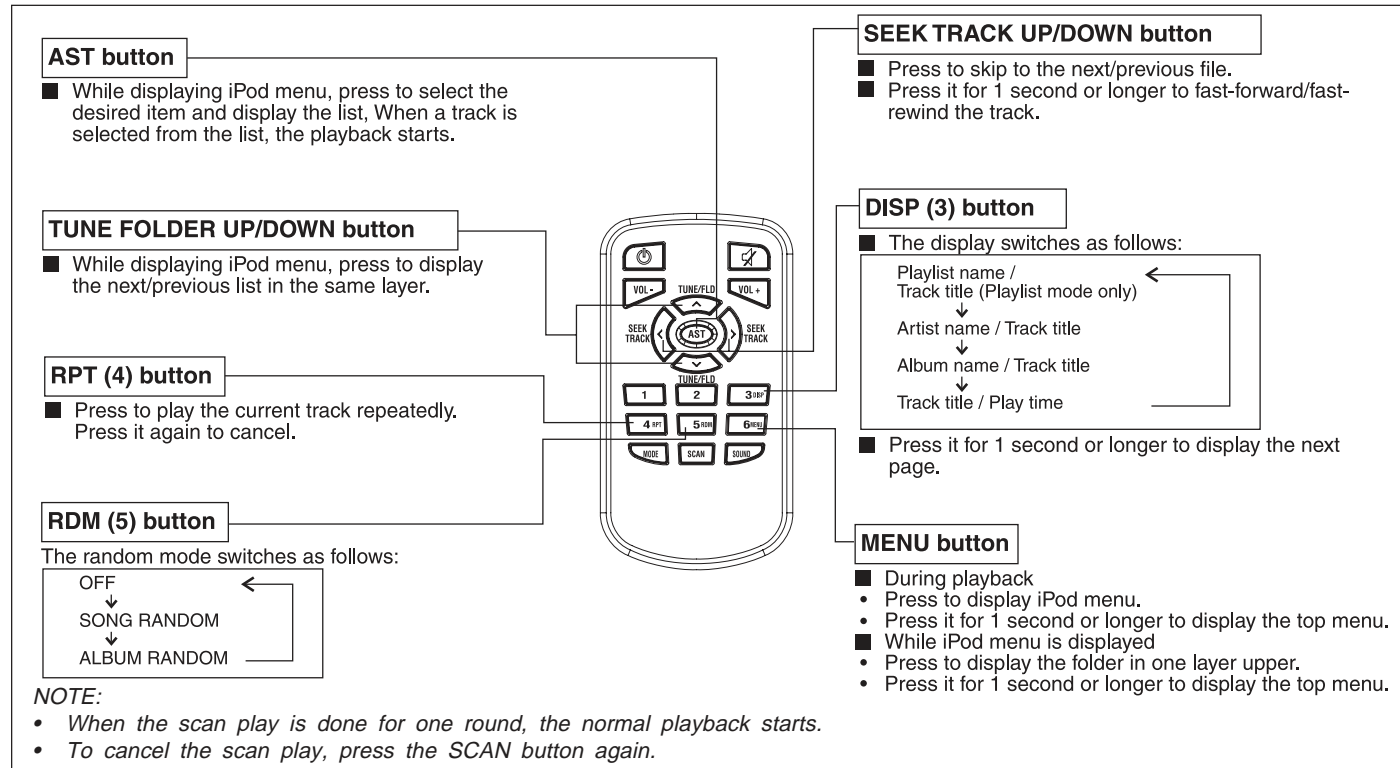
60M-05-063

USB operations



60M-05-064

iPod operations



60M-05-065

Troubleshooting

When encountered a problem, check and follow the instructions as described below.

If the described suggestions do not solve the problem, it is recommended to take the unit to your authorized MARUTI SUZUKI dealer.

Problem	Possible cause	Possible solution
---------	----------------	-------------------

Common

Unable to operate	The security function is on.	When "SECURITY" is displayed, enter the ID. When "HELP" is displayed, contact your authorized MARUTI SUZUKI dealer.
Unable to turn on the power (no sound). (No sound is produced)	Fuse is blown.	Contact your authorized MARUTI SUZUKI dealer.

Radio

Much noise	It may not be exactly tuned in to the station.	Tune it in exactly to the station.
Unable to receive by auto tuning	There may be no station emitting signals powerful enough.	Pick up a station by manual tuning.

CD

Sound skips or noise produced	The disc is dirty.	Wipe the disc with a soft cloth.
	The disc has a major scratch or is warped.	Replace the disc with the one with no scratch and also not warped.

OTHER CONTROLS AND EQUIPME

76G-74E

Problem	Possible cause	Possible solution
MP3/WMA		
No playback	The disc contains unsupported formatted data.	Check the file format.
Sound skips or noise produced	Sound skipping may occur when playing VBR (Variable Bit Rate) files.	It is not recommended to play VBR files.
USB		
Playback does not start when the USB device is connected.	There is no supported format file to play on this unit.	Check the file format.
	The current consumption of the USB device exceeds 500 mA.	Use an USB device with a current consumption lower than 500 mA.

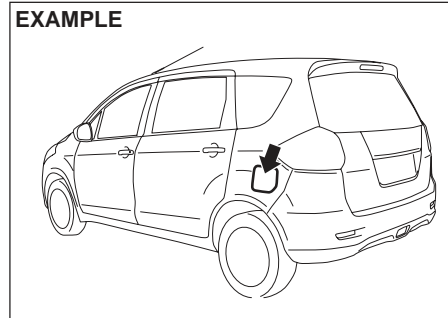
Error Display Messages (if applicable)

Display	Possible cause	Possible solution
CD		
ERROR 1	The disc cannot be read.	Insert the disc with its label side up. Check the disc if it is not warped or is free of flaws. When ERROR 1 does not disappear even when a normal disc is inserted, contact your dealer.
ERROR 3	The player developed an error of an unidentified cause.	When the CD is in the unit, press the CD eject button to remove the disc. When the disc cannot be ejected, contact your dealer.
USB/iPod®		
ERROR 1	Inoperable due to an unidentified cause.	Unplug the USB device and plug it again. When ERROR 1 does not disappear, contact your dealer.
ERROR 2	Impossible to communicate correctly with the USB device.	Unplug the USB device and plug it again. Check the USB device.
ERROR 3	The USB device is disconnected.	Check the connection of the USB device.
ERROR 4	The current consumption of the USB device exceeds 500 mA.	Check the USB device.

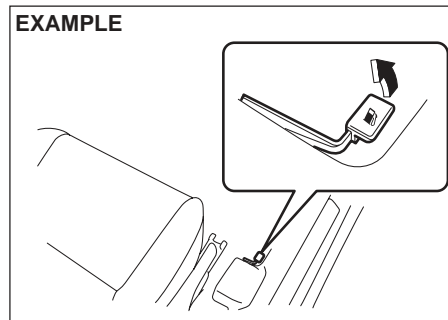
Error Display Messages (if aplicable)

Display	Possible cause	Possible solution
CD		
E1, E2	The disc cannot be read.	Insert the disc with its label side up. Check the disc if it is not warped or is free of flaws. When E1, E2 does not disappear even when a normal disc is inserted, contact your dealer.
E3	The player developed an error of an unidentified cause.	When the CD is in the unit, press the CD eject button to remove the disc. When the disc cannot be ejected, contact your dealer.
E4	File decode error	Check the error file.
E5	Cannot reproduce by the copyright protection.	Copyright protection CD/USB cannot be reproduced.
USB/iPod®		
E1, E6	Inoperable due to an unidentified cause.	Unplug the USB device and plug it again. When E1, E6 does not disappear, contact your dealer.
E2	The current consumption of the USB device exceeds 1 A.	Check the USB device.
E3	The USB device is disconnected.	Check the connection of the USB device.
E4	File decode error	Check the error file.
E5	Cannot reproduce by the copyright protection.	Copyright protection CD/USB cannot be reproduced.

Fuel Filler Cap



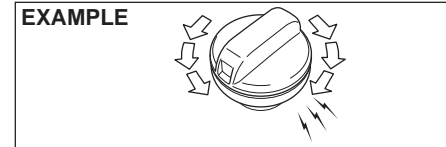
60M-05-066



60M-05-067

The fuel filler cap is located on the left rear side of the vehicle. The fuel filler door can be unlocked by pulling up the opener lever located on the outboard side of the driver's

seat and locked by simply closing the door.



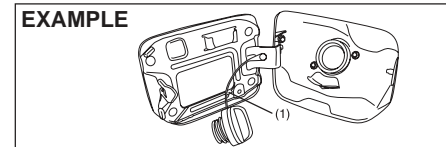
60M-05-068

To remove the fuel filler cap:

- 1) Open the fuel filler door.
- 2) Remove the cap by turning it counter-clockwise.

CAUTION

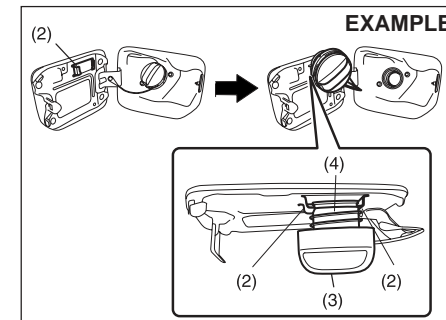
Remove the fuel filler cap slowly. The fuel may be under pressure and may spray out, causing injury.



60M-05-069

NOTE:

If the hook (1) is equipped with the fuel filler door, hold the fuel filler cap when refueling.



60M-05-070

NOTE:

You can also use the cap holder (2) to hold the fuel filler cap (3) by hooking the groove (4) when refueling.

To reinstall the fuel filler cap:

- 1) Turn the cap clockwise until you hear several clicks.
- 2) Close the fuel filler door.

WARNING

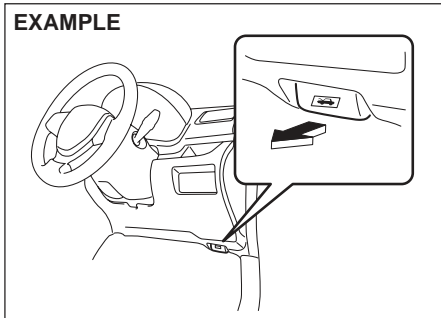
Fuel is extremely flammable. Do not smoke when refueling, and make sure there are no open flames or sparks in the area.

⚠ WARNING

If you need to replace the fuel cap, use a Maruti genuine cap. Use of an improper cap can result in a malfunction of the fuel system or emission control system. It may also result in fuel leakage in the event of an accident.

Engine Hood

EXAMPLE

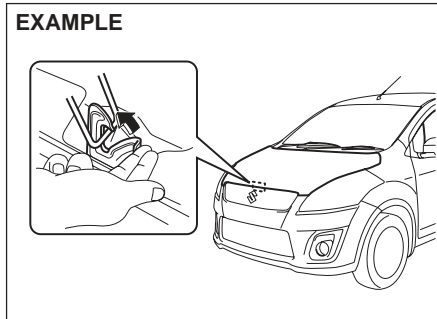


60M-05-071

To open the engine hood:

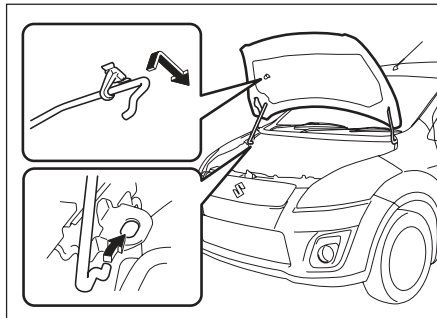
- 1) Pull the hood release handle located on the outboard side of the driver's side of the instrument panel. This will disengage the engine hood lock halfway.

EXAMPLE



60M-05-072

- 2) Push the under-hood release lever sideways with your finger, as shown in the illustration. While pushing the lever, lift up the engine hood.



60M-05-073

- 3) Continue to lift up the hood until it is high enough to support with the prop rod.

To close the engine hood:

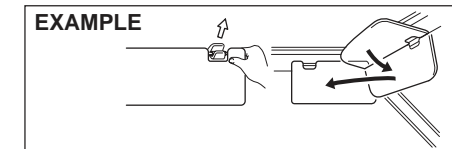
- 1) Lift the hood up slightly and remove the prop rod from the hole. Put the prop rod back to the holding clip.
- 2) Lower the hood close to the bumper, then let it drop down. Make sure the hood is securely latched after closing.

⚠ WARNING

Make sure the hood is fully closed and latched before driving. If it is not, it can fly up unexpectedly during driving, obstructing your view and resulting in an accident.

Sun Visor

EXAMPLE

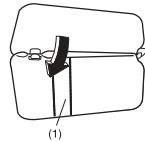


60M-05-074

The sun visors can be pulled down to block glare coming through the windshield, or they can be unhooked and turned to the side to block glare coming through the side window.

NOTICE

When unhooking and hooking a sun visor, be sure to handle it by the hard plastic parts or the sun visor can be damaged.

Card holder (if equipped)**EXAMPLE**

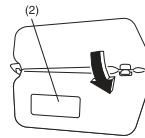
60M-05-075

(1) Card holder

You can put a card in the card holder (1) on the back of the sun visor.

NOTICE

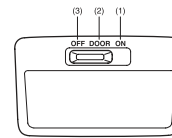
When you park your vehicle outdoors in direct sunlight or in hot weather, do not leave plastic cards in the holder. The heat may distort them.

Vanity mirror (if equipped)**EXAMPLE**

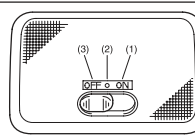
60M-05-076

(2) Vanity mirror**WARNING**

When using the vanity mirror, do not move too close to a front air bag location or lean against it. If the front air bag is accidentally inflated, it could hit you hard.

Interior Light Switch**Front (if equipped)****Center (if equipped)****EXAMPLE**

60M-05-077

Rear**EXAMPLE**

60M-05-078

This light switch has three positions which function as described below:

ON (1)

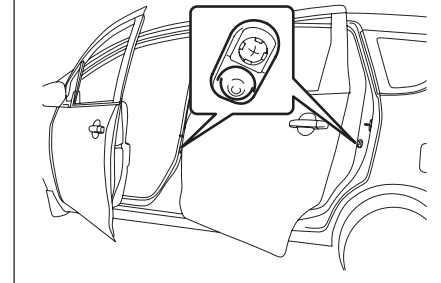
The light comes on and stays on regardless of whether the door is open or closed.

DOOR (2)

The light comes on when the door is opened. After closing all doors, the light will remain on for about 15 seconds and then fade out. If you insert the key during this time, the light will start to fade out immediately. After removing the key from the ignition switch, the light will turn on for about 15 seconds and then fade out.

OFF (3)

The light remains off even when the door is opened.

EXAMPLE

60M-05-079

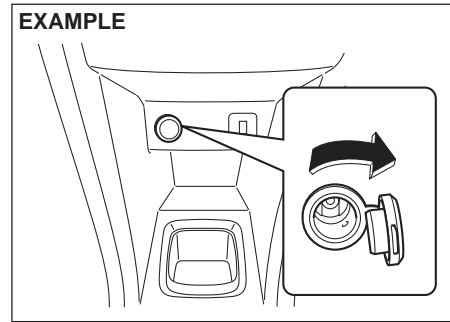
NOTE:

The number of doors involved in the lighting operation of the interior light depends on the vehicle specification. If there is a switch

5-34

(rubber projection) at the door opening as shown, the door is involved in the lighting operation. The tailgate is also involved in this operation even without the rubber projection depending on the vehicle specification.

Accessory Socket



60M-05-080

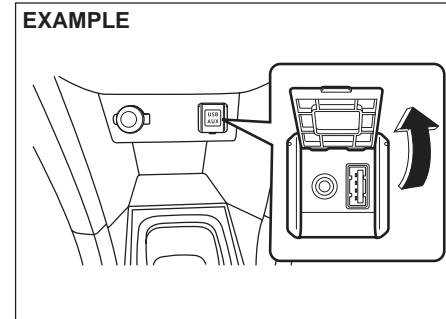
The accessory socket will work when the ignition switch is in the "ACC" or "ON" position.

This socket can be used to provide 12 volt/120 watt power for electrical accessories.

NOTICE

Use of inappropriate electrical accessories can cause damage to your vehicle's electrical system. Make sure that any electrical accessories you use are designed to plug into this type of socket.

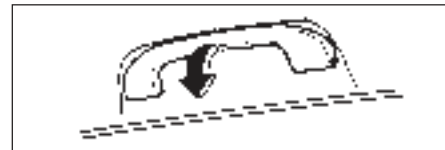
AUX/USB Socket (if equipped)



60M-05-081

Connect your portable digital music player, etc. to this socket to enjoy music through the vehicle's audio system using it as a source. Refer to "Audio System" in this section.

Assist Grips



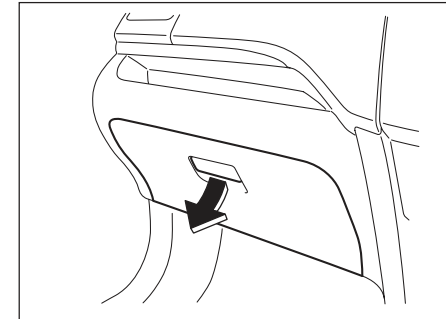
60M-05-082

Assist grips are provided for convenience.

NOTICE

To avoid damaging the assist grip and the molded headlining, do not hang down the assist grip.

Glove Box



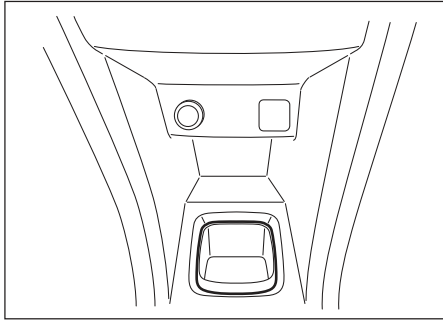
60M-05-083

To open the glove box, pull the latch lever. To close it, push the lid until it latches securely.

WARNING

Never drive with the glove box lid open. It could cause injury if an accident occurs.

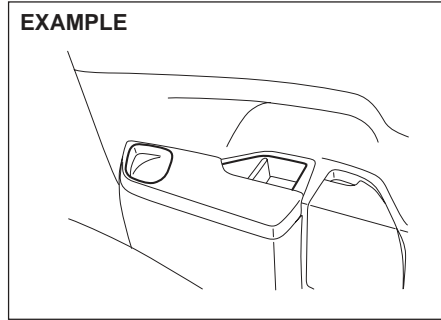
Cup Holder and Storage Area Front



60M-05-084

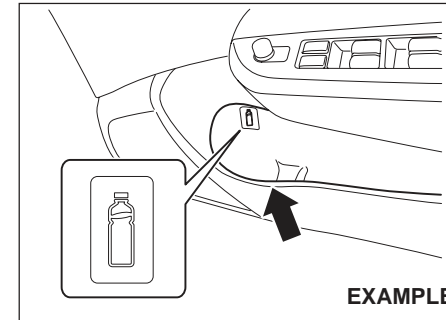
3rd row seats

EXAMPLE



60M-05-086

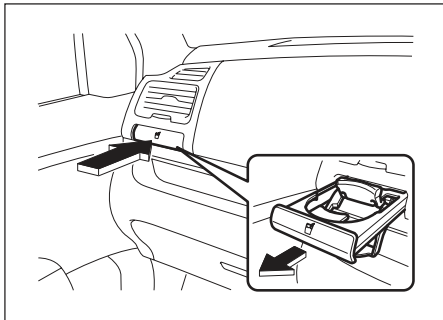
Bottle holder Front seats



EXAMPLE

60M-05-087

Passenger side



60M-05-085

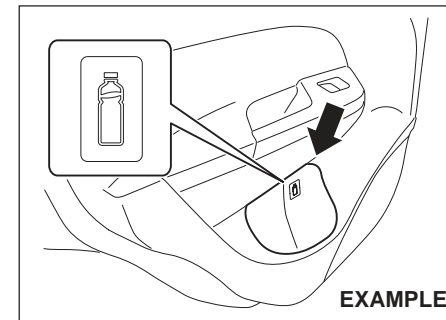
To use the cup holder, push it. The cup holder slides out automatically. After using the holder, push it back to return it.

113

⚠ CAUTION

Do not use the cup holder to hold cups containing hot liquids, or sharp-edged, hard or breakable objects. Objects in the cup holder may be thrown about during a sudden stop or impact, and could cause personal injury.

2nd row seats

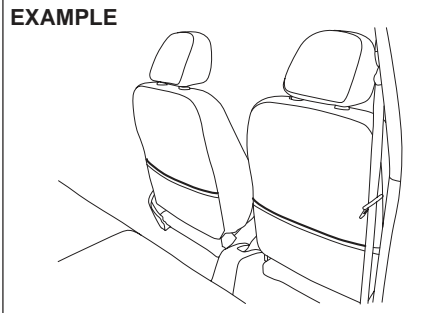


EXAMPLE

60M-05-88

You should hold a bottle with a cap in the holder.

**Front Seat Back Pocket
(if equipped)**



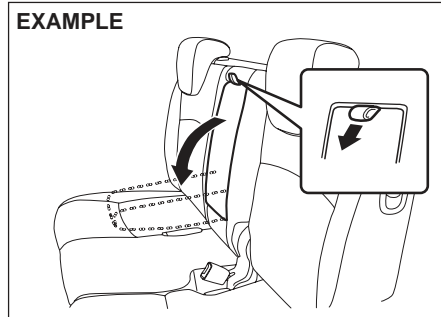
60M-05-089

This pocket is provided for holding light and soft things such as gloves, newspapers or magazines.

⚠ CAUTION
Do not put hard or breakable objects in the pocket. If an accident occurs, objects such as bottles, cans, etc. can injure the occupants in the rear seat.

Armrest (if equipped)

2nd row seat



60M-05-090

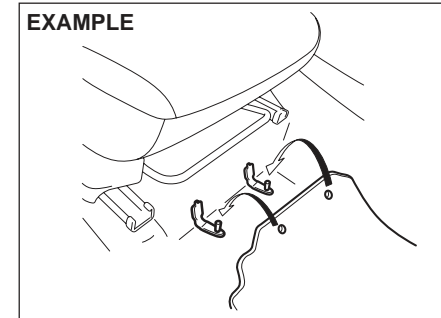
To use the armrest, pull the strap and lower the armrest. When not in use, push back in the seat until the armrest is secured.

⚠ WARNING
In an accident or sudden stop, the rear armrest (if equipped) could fall forward. If there is a child in a rear-facing child restraint in the center seating position, the falling armrest could injure the child. Make sure the armrest is secured in the stowed position when not in use.

NOTICE

To avoid damage to the armrest, do not lean on it or allow a child to sit on it.

Floor Mats (if equipped)



60M-05-091

To prevent the driver's side floor mat from sliding forward and possibly interfering with the operation of the pedals, Maruti genuine part floor mats are recommended. Whenever you put the driver's side floor mat back in the vehicle after it has been removed, be sure to hook the floor mat grommets to the fasteners and position the floor mat properly in the footwell.

When you replace the floor mats in your vehicle with a different type such as all-weather floor mats, we highly recommend

using Maruti genuine floor mats for proper fitting.

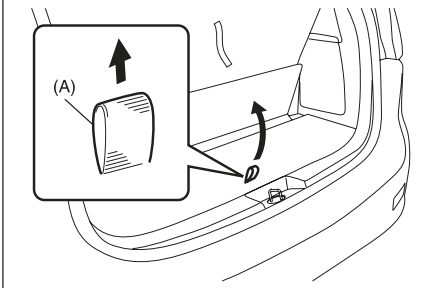
⚠ WARNING

Failure to take the following precautions may result in the driver's side floor mat interfering with the pedals and causing a loss of vehicle control or an accident.

- Make sure that the floor mat grommets are hooked to the fasteners.
- Never place additional floor mats on top of the existing floor mats.

Luggage Box (if equipped)

EXAMPLE



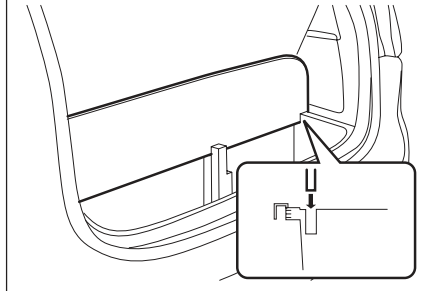
60M-05-092

Pull up the straps (A) of the luggage box cover to use the box.

NOTICE

Do not allow items in the box to extend above the top of the box. Otherwise, the box or cover may be damaged.

EXAMPLE



60M-05-093

NOTE:

The luggage box cover can be held open as shown in the above illustration.

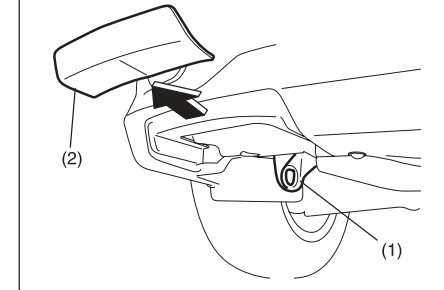
NOTICE

If the luggage box cover is held open while driving, it can be damaged.

Do not hold open the luggage box cover while driving.

Frame Hooks Front

EXAMPLE



60M-05-094

To access the frame hook (1), remove the cover (2).

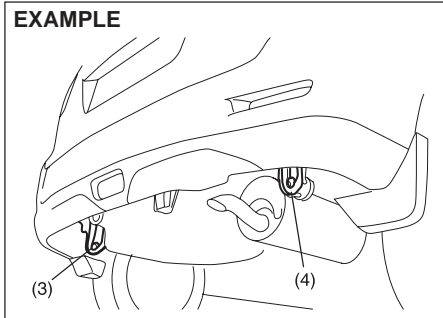
The frame hook (1) is provided on the front of the vehicle for use in emergency situations and sea shipping purposes only.

NOTICE

When you use the frame hook (1), avoid the driving that gives significant physical shock on hook. Such operation can damage the hook, or the vehicle body.

Do not sudden accelerate.

Rear



The frame hook (3) is provided on the rear of the vehicle for use in emergency situations and trailer/train/sea shipping purposes only.

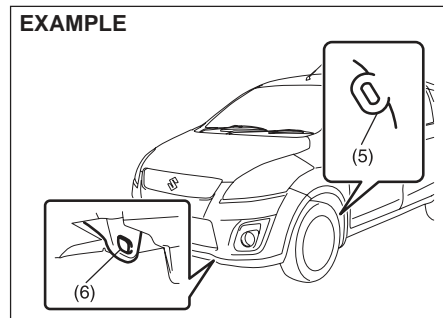
NOTICE

When you use the frame hook (3), avoid the driving that gives significant physical shock on hook. Such operation can damage the hook, the vehicle body or the drive system.

Do not sudden accelerate.
Do not tow the vehicle heavier than your vehicle.

To tow your vehicle on the road or highway, follow the instruction of "Towing" in "EMERGENCY SERVICE" section.

Other Hooks



The hook (4) is provided for trailer/train/sea shipping purposes only.

The hook (5) (or opposite side) is provided for trailer/train shipping purposes only. The hook (6) is provided for sea shipping purpose only.

WARNING

Do not use the frame hooks to tow another vehicle or to have your vehicle towed on the road or highway. The hook (1) is designed for use in emergency situations such as if your vehicle or another vehicle gets stuck in deep mud or snow, and sea shipping only. The hook (3) is designed for use in emergency situations and trailer/train/sea shipping only.

WARNING

←
The hooks (4) and (5) are provided for trailer/train shipping purposes only. The hook (6) is provided for sea shipping purpose only.

NOTICE

Never use the hooks (1) for trailer/train shipping purposes to prevent damage to the vehicle.

VEHICLE LOADING AND TOWING

Vehicle Loading	6-1
Trailer Towing	6-1

Vehicle Loading

Your vehicle was designed for specific weight capacities. The weight capacities of your vehicle are indicated by the Gross Vehicle Weight Rating (GVWR) and the Gross Axle Weight Rating (GAWR, front and rear). The GVWR and GAWR (front and rear) are listed in the "SPECIFICATIONS" section.

GVWR – Maximum permissible overall weight of the fully loaded vehicle (including all the occupants, accessories and cargo plus the trailer nose weight if towing a trailer).

GAWR – (Front and Rear) Maximum permissible weight on an individual axle.

Actual weight of the loaded vehicle and actual loads at the front and rear axles can only be determined by weighing the vehicle. Compare these weights to the GVWR and GAWR (front and rear). If the gross vehicle weight or the load on either axle exceeds these ratings, you must remove enough weight to bring the load down to the rated capacity.

▲ WARNING

Never overload your vehicle. The gross vehicle weight (sum of the weights of the vehicle, all the occupants, accessories, cargo plus trailer nose weight if towing a trailer) must never exceed the Gross Vehicle Weight Rating (GVWR). In addition, never distribute a load so that the weight on either the front or rear axle exceeds the Gross Axle Weight Rating (GAWR).

▲ WARNING

Always distribute cargo evenly. To avoid personal injury or damage to your vehicle, always secure cargo to prevent it from shifting if the vehicle moves suddenly. Place heavier objects on the floor and as far forward in the cargo area as possible. Never pile cargo higher than the top of the seat backs.

Trailer Towing

Your MARUTI SUZUKI was originally designed to carry people and a normal amount of cargo, not to tow a trailer. MARUTI SUZUKI does not recommend you use your vehicle to tow a trailer. Towing a trailer can adversely affect handling, durability, and fuel economy.

INSPECTION AND MAINTENANCE

Maintenance Schedule	7-1
Periodic Maintenance Schedule	7-2
Maintenance Recommended under Severe Driving Conditions	7-2
Drive Belt	7-6
Engine Oil and Filter	7-6
Engine Coolant.....	7-9
Air Cleaner	7-11
Spark Plugs	7-11
Gear Oil	7-12
Clutch Pedal	7-13
Fuel Filter (Diesel engine)	7-13
Brakes	7-14
Steering	7-16
Tyres	7-16
Battery	7-18
Fuses	7-19
Headlight Aiming	7-21
Bulb Replacement.....	7-21
Wiper Blades	7-25
Windshield Washer Fluid	7-27
Air Conditioning System	7-27



60M-07-001

⚠ WARNING

You should take extreme care when working on your vehicle to prevent accidental injury. Here are a few precautions that you should be especially careful to observe:

- To prevent damage or unintended activation of the air bag system or seat belt pretensioner system, be sure the battery is disconnected and the ignition switch has been in the "LOCK" position for at least 90 seconds before performing any electrical service work on your MARUTI SUZUKI. Do not touch air bag system components, seat belt pretensioner system components or wires.

The wires are wrapped with yellow tape or yellow tubing, and the couplers are yellow for easy identification.

- Do not leave the engine running in garages or other confined areas. →

⚠ WARNING



- When the engine is running, keep hands, clothing, tools, and other objects away from the fan and drive belt. Even though the fan may not be moving, it can automatically turn on without warning.
- When it is necessary to do service work with the engine running, make sure that the parking brake is set fully and the transmission is in Neutral.
- Do not touch ignition wires or other ignition system parts when starting the engine or when the engine is running, or you could receive an electric shock.
- Be careful not to touch a hot engine, exhaust manifold and pipes, muffler, radiator and water hoses.
- Do not allow smoking, sparks, or flames around fuel or the battery. Flammable fumes are present.
- Do not get under your vehicle if it is supported only with the portable jack provided in your vehicle.
- Be careful not to cause accidental short circuits between the positive and negative battery terminals.
- Keep used oil, coolant, and other fluids away from children and pets. Dispose of used fluids properly; never pour them on the ground, into sewers, etc.

Maintenance Schedule

The following table shows the times when you should perform regular maintenance on your vehicle. This table shows in miles, kilometers and months when you should perform inspections, adjustments, lubrication and other services.

⚠ WARNING

MARUTI SUZUKI recommends that maintenance on your Maruti Suzuki vehicle should be performed by MARUTI SUZUKI authorised workshop/ Service station.

NOTICE

Whenever it becomes necessary to replace parts on your vehicle, it is recommended that you use MARUTI genuine replacement parts or their equivalent.

Periodic Maintenance Schedule

“A” : Adjust

“C” : Clean

“R” : Replace or Change

“I” : Inspect and correct or replace if
necessary

“L” : Lubricate

“T” : Tighten to Specified Torque

“O” : Rotate

NOTE:

This table includes services as scheduled up to 80,000 km mileage. Beyond 80,000 km, carry out the same services at the same intervals respectively.

INSPECTION AND MAINTENANCE

76G-74E

Interval: This interval should be judged by odometer reading or months, whichever comes first.		km (x1000)	FREE INSPECTION			PERIODIC MAINTENANCE AT COST							
			1	5	10	20	30	40	50	60	70	80	
			months	1	6	12	24	36	48	60	72	84	96
ENGINE													
1-1.	Water pump drive belt (Tension, Wear)	Petrol	-	-	-	-	-	I	-	-	-	R	
1-2.	Engine Coolant (Level, Leakage)		I	I	I	R	I	R	I	R	I	R	
1-3.	Engine oil and engine oil filter		-	-	R	R	R	R	R	R	R	R	
1-4.	Cooling system hoses and connections (Leakage and Damage)		I	I	I	I	I	I	I	I	I	I	
1-5.	Engine bolts (All cylinder head and manifold fixings)		-	-	T	-	T	-	T	-	T	-	
1-6.	Engine Mounting (All cylinder head and manifold fixings)		-	-	T	-	T	-	T	-	T	-	
1-7.	Valve Clearance	Petrol	-	-	-	-	I	-	-	I	-	-	
1-8.	Exhaust System (Noise, Leakage etc.)		-	I	-	I	-	-	-	-	-	I	
1-9.	Positive Crank Case Ventilation System (Hoses, Connections and Valve)		-	I	-	I	-	-	-	-	-	I	
1-10.	Exhaust Gas Recirculation Valve	Diesel	-	-	-	-	C	-	-	C	-	-	
IGNITION													
2-1.	Ignition wiring (Damage, Deterioration)		-	-	-	I	-	I	-	I	-	I	
2-2.	Spark Plug (Clean and adjust the gap)	Petrol	-	-	-	-	-	R	-	-	-	R	
FUEL													
3-1.	Air cleaner filter element	Paved-road	Petrol	Clean after every 5,000 KM. Replace after every 40,000KM									
			Diesel	Replace after every 20,000 KM. Cleaning not required									
		Dusty Condition	Petrol	Clean after every 2,500 KM. or as rquired. Replace after every 40,000KM									
			Diesel	Replace after every 20,000 KM. Cleaning not required More frequent replacement if dust condition is severe.									
3-2.	Fuel tank cap, fuel lines and connections (Leakage and Damage)		-	I	-	-	-	I	-	-	-	I	
3-3.	Fuel Filter (Leakage)	Petrol	-	-	-	-	-	R	-	-	-	R	
3-4.	Fuel Filter and Water Draining	Diesel	I	I	I	R	I	R	I	R	I	R	

INSPECTION AND MAINTENANCE

Interval: This interval should be judged by odometer reading or months, whichever comes first.		FREE INSPECTION					PERIODIC MAINTENANCE AT COST						
		km (x1000)	1	5	10	20	30	40	50	60	70	80	
		months	1	6	12	24	36	48	60	72	84	96	
CLUTCH AND TRANSMISSION													
4-1.	Clutch Pedal (Push Rod Play)		I	I	I	I	I	I	I	I	I	I	
4-2.	Clutch Fluid (Level, Leakage)		I	I	I	R	I	R	I	R	I	R	
4-3.	Clutch Slipping (Dragging or Excess Damage)		I	I	I	I	I	I	I	I	I	I	
4-4.	Manual Transmission/Transfer or Differential Oil (Level, Leakage)		I	I	I	R	I	R	I	R	I	R	
DRIVE SHAFT													
5-1.	Drive shaft noise		I	I	I	I	I	I	I	I	I	I	
5-2.	Drive shaft boot (boot damage)		-	I	I	I	I	I	I	I	I	I	
BRAKE													
6-1.	Brake Fluid (Level, Leakage)		I	I	I	R	I	R	I	R	I	R	
6-2.	Brake Pedal (pedal - wall clearance)		I	I	I	I	I	I	I	I	I	I	
6-3.	Parking brake lever and cable (Play, damage)		I	I	I	I	I	I	I	I	I	I	
6-4.	Brake disc and pad (Wear)		-	I	I	I	I	I	I	I	I	I	
6-5.	Brake drum and shoes (Wear)		-	-	I	I	I	I	I	I	I	I	
6-6.	Master cylinder/wheel cylinder/calliper (Oil leakage, boot cut) (replace piston and boot kits)		I	I	I	I	I	R	I	I	I	R	
6-7.	Brake hoses and pipes (Leakage, damage)		I	I	I	I	I	I	I	I	I	I	
WHEEL													
7-1.	Tyres (air pressure, abnormal wear, crack and rotation)		I	I&O	I&O	I&O	I&O	I&O	I&O	I&O	I&O	I&O	
7-2.	Wheels (Damage)		I	I	I	I	I	I	I	I	I	I	
7-3.	Front/Rear wheel bearing (Loose, damage)		I	I	I	I	I	I	I	I	I	I	
FRONT / REAR SUSPENSION													
8-1.	Suspension strut (Oil leakage, damage)		I	I	I	I	I	I	I	I	I	I	
8-2.	Suspension arms / Knuckle support (Loose, damage)		-	I	I	I	I	I	I	I	I	I	
8-3.	Rear spring (Damage)		I	I	I	I	I	I	I	I	I	I	
8-4.	Shock absorbers (Oil leakage, damage)		I	I	I	I	I	I	I	I	I	I	
8-5.	All bolts and nuts (Loose)		-	T	T	T	T	T	T	T	T	T	
8-6.	Suspension arms and torsion rods		-	I	I	I	I	I	I	I	I	I	

INSPECTION AND MAINTENANCE

76G-74E

Interval: This interval should be judged by odometer reading or months, whichever comes first.	km (x1000)	FREE INSPECTION			PERIODIC MAINTENANCE AT COST							
		1	5	10	20	30	40	50	60	70	80	
		months	6	12	24	36	48	60	72	84	96	
STEERING												
9-1.	Steering wheel (Play, loose)		I	I	I	I	I	I	I	I	I	I
9-2.	All rods and arms (Loose, damage, wear)		I	I	I	I	I	I	I	I	I	I
ELECTRICAL												
10-1.	Battery electrolyte (Level, leakage)		I	I	I	I	I	I	I	I	I	I
10-2.	Wiring harness connection (Loose, damage)		-	I	I	I	I	I	I	I	I	I
10-3.	Lightening system (Operation, stains, damage)		I	I	I	I	I	I	I	I	I	I
10-4.	Horn (Operation)		I	I	I	I	I	I	I	I	I	I
10-5.	System Voltage		-	I	I	I	I	I	I	I	I	I
BODY												
11-1.	All chassis bolts and nuts (Tighten)		-	I	T	T	T	T	T	T	T	T
11-2.	All latches, hinges and locks (Function)		I	I&L	I&L	I&L	I&L	I&L	I&L	I&L	I&L	I&L
ROAD TEST												
12-1.	Operation of Brakes, gear shifting and speedometer		I	I	I	I	I	I	I	I	I	I
12-2.	Body and chassis noise		I	I	I	I	I	I	I	I	I	I
AIR CONDITIONER (if equipped)												
13-1.	Check belt tension		I	I	I	I	I	I	I	I	I	I
13-2.	Tighten compressor mounting bolt		-	T	T	T	T	T	T	T	T	T
13-3.	All hose joint (Check, tighten)		I	I	I	I	I	I	I	I	I	I
13-4.	Check functioning of Recirc flap		I	I	I	I	I	I	I	I	I	I
13-5.	Clean condensor with low pressure water		-	C	C	C	C	C	C	C	C	C
13-6.	Check belt for frayed edges		I	I	I	I	I	I	I	I	I	I
13-7.	Check all mounting bolts		I	I	I	I	I	I	I	I	I	I

Drive Belt

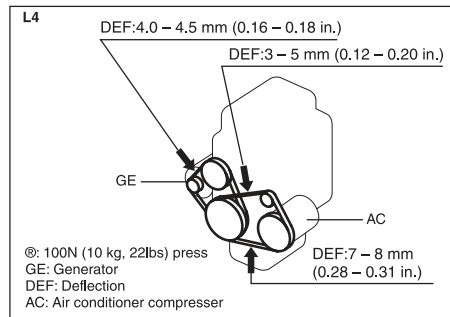
▲ WARNING
When the engine is running, keep hands, hair, clothing, tools, etc. away from the moving fan and drive belts.

Make sure the drive belt tension is correct. If the belt is too loose, insufficient battery charging, engine overheating, poor power steering, poor air conditioning, or excessive belt wear can result. When you press the belt with your thumb midway between the pulleys, there should be a deflection according to the following chart.

The belts should also be examined to ensure that they are not damaged.

If you need to replace or adjust the belt have it done by your MARUTI SUZUKI dealer.

(For Petrol Engine Model)



60M-07-002

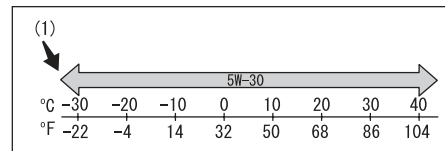
(For Diesel Engine Model)

The drive belts tension adjusted automatically.

Engine Oil and Filter

Specified Oil

(For Petrol Engine Model)



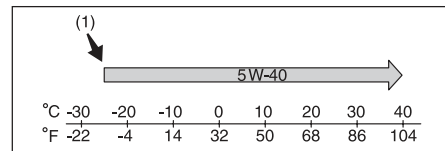
60M-07-003

(1) Preferred

Be sure that the engine oil you use comes under the quality classification of SG, SH, SJ, SL or SM. Select the appropriate oil viscosity according to the above chart.

SAE 5W-30 (1) is the best choice for good fuel economy, and good starting in cold weather.

(For Diesel Engine Model)



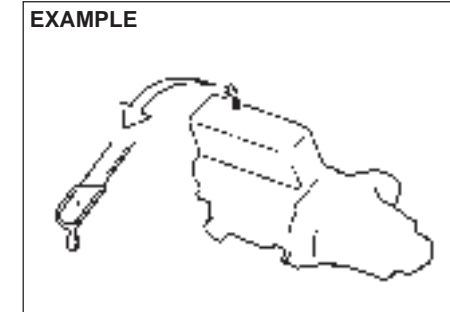
60M-07-004

(1) Preferred

Be sure that the engine oil you use comes under the quality classification of ACEA A3/B4. Select the appropriate oil viscosity according to the above chart.

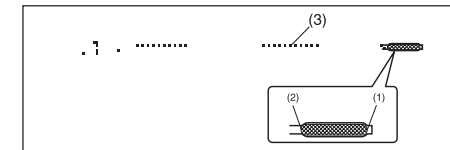
Oil Level Check

(For Petrol Engine Model)



60M-07-005

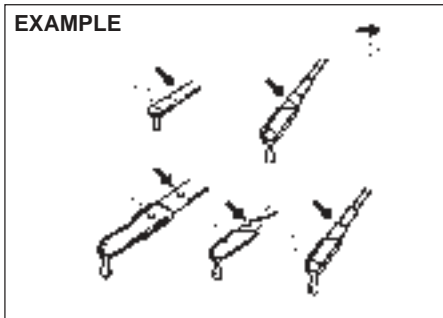
(For Diesel Engine Model)



60M-07-006

- (1) MIN
- (2) MAX
- (3) Engine oil dipstick

It is important to keep the engine oil at the correct level for proper lubrication of your vehicle's engine. Check the oil level with the vehicle on a level surface. The oil level indication may be inaccurate if the vehicle is on a slope. The oil level should be checked either before starting the engine or at least 5 minutes after stopping the engine. The handle of the engine oil dipstick is colored yellow for easy identification.



60M-07-007

Pull out the oil dipstick, wipe oil off with a clean cloth, insert the dipstick all the way into the engine, then remove it again. The oil on the stick should be between the upper and lower limits shown on the stick. If the oil level indication is near the lower limit, add enough oil to raise the level to the upper limit.

7-7

NOTICE

Failure to check the oil level regularly could lead to serious engine trouble due to insufficient oil.

NOTICE

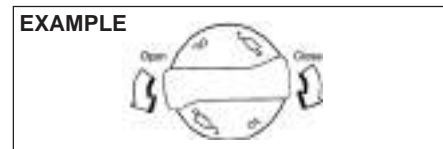
**(For Diesel Engine Model)
Do not top up the oil over the MAX limit. Too much oil causes serious engine trouble.**

Refilling (Petrol)



60M-07-008

Refilling (Diesel)



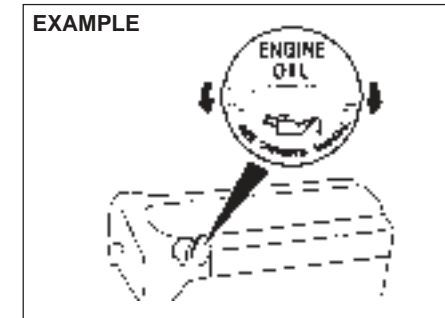
60M-07-008a

Remove the oil filler cap and pour oil slowly through the filler hole to bring the oil level to the upper limit on the dipstick. Be careful not to overfill. Too much oil is almost as

bad as too little oil. After refilling, start the engine and allow it to idle for about a minute. Stop the engine, wait about 5 minutes and check the oil level again.

Changing Engine Oil and Filter

Drain the engine oil while the engine is still warm.



60M-07-009

- 1) Remove the oil filler cap.
- 2) Place a drain pan under the drain plug.
- 3) Using a wrench, remove the drain plug and drain out the engine oil.

CAUTION

The engine oil temperature may be high enough to burn your fingers when the drain plug is loosened. Wait until the drain plug is cool enough to touch with your bare hands.

EXAMPLE

60M-07-010

Tightening torque for drain plug**Petrol engine:****35 Nm (3.5 kg-m, 25.3 lb-ft)****Diesel engine:****20 Nm (2.0 kg-m, 14.5 lb-ft)****⚠ WARNING**

New and used oil can be hazardous. Children and pets may be harmed by swallowing new or used oil. Keep new and used oil and used oil filters away from children and pets.

Repeated, prolonged contact with used engine oil may cause skin cancer. Brief contact with used oil may irritate skin.

To minimize your exposure to used oil, wear a long-sleeve shirt and moisture-proof gloves (such as dish-washing gloves) when changing oil. If oil contacts your skin, wash thoroughly with soap and water.

Launder any clothing or rags if wet with oil.

Recycle or properly dispose of used oil and filters.

127

- Reinstall the drain plug and new gasket. Tighten the plug with a wrench to the specified torque.

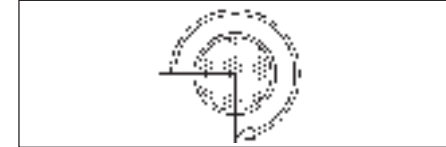
Replace the Oil Filter

- Using an oil filter wrench, turn the oil filter counterclockwise and remove it.
- Using a clean rag, wipe off the mounting surface on the engine where the new filter will be seated.
- Smear a little engine oil around the rubber gasket of the new oil filter.
- Screw on the new filter by hand until the filter gasket contacts the mounting surface.

(For Petrol Engine Model)**EXAMPLE**

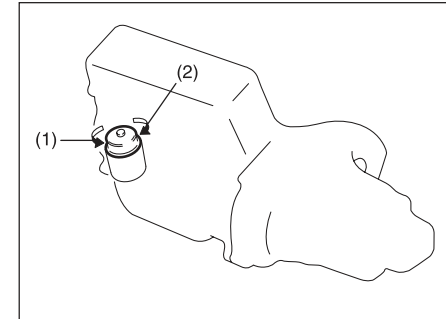
60M-07-011

- Loosen
- Tighten

Tightening (viewed from filter top)

60M-07-012

- Oil filter
- 3/4 turn

(For Diesel Engine Model)

60M-07-013

- Loosen
- Tighten

NOTICE

To tighten the oil filter properly, it is important to accurately identify the position at which the filter gasket first contacts the mounting surface.

7-8

- 5) Tighten the filter specified turn from the point of contact with the mounting surface (or to the specified torque) using an oil filter wrench.

Tightening torque for oil filter
3/4 turn or
Petrol engine:
14 Nm (1.4 kg-m, 10.1 lb-ft)
Diesel engine:
25 Nm (2.5 kg-m, 18.5 lb-ft)

NOTICE

To prevent oil leakage, make sure that the oil filter is tight, but do not over-tighten it.

Refill with Oil and Check for Leaks

- 1) Pour oil through the filler hole and install the filler cap.
For the approximate capacity of the oil, refer to the "Capacities" item in the "SPECIFICATIONS" section.
- 2) Start the engine and look carefully for leaks at the oil filter and drain plug. Run the engine at various speeds for at least 5 minutes.
- 3) Stop the engine and wait about 5 minutes. Check the oil level again and add oil if necessary. Check for leaks again.

NOTICE

- When replacing the oil filter, it is recommended that you use a Maruti genuine replacement filter. If you use an aftermarket filter, make sure it is of equivalent quality and follow the manufacturer's instructions.
- Oil leaks from around the oil filter or drain plug indicate incorrect installation or gasket damage. If you find any leaks or are not sure that the filter has been properly tightened, have the vehicle inspected by your MARUTI SUZUKI dealer.

Engine Coolant

Selection of Coolant

To maintain optimum performance and durability of your engine, use Maruti genuine Coolant or equivalent.

This type of coolant is best for your cooling system as it:

- Helps maintain proper engine temperature.
- Gives proper protection against freezing and boiling.
- Gives proper protection against corrosion and rust.

Failure to use the proper coolant can damage your cooling system. Your authorized MARUTI SUZUKI dealer can help you select the proper coolant.

NOTICE

To avoid damaging your cooling system:

- Always use a high quality ethylene glycol base non-silicate type coolant diluted with distilled water at the correct mixture concentration.
- Make sure that the proper mix is 30/70 coolant to distilled water for petrol and 50/50 for diesel. In no case higher than 70/30. Concentrations greater than 70/30 coolant to distilled water will cause overheating conditions.
- Do not use straight coolant nor plain water.
- Do not add extra inhibitors or additives. They may not be compatible with your cooling system.
- Do not mix different types of base coolants. Doing so may result in accelerated seal wear and/or the possibility of severe overheating and extensive engine damage.

Coolant Level Check

Check the coolant level at the reservoir tank, not at the radiator. With the engine cool, the coolant level should be between the "FULL" and "LOW" marks.

Adding Coolant

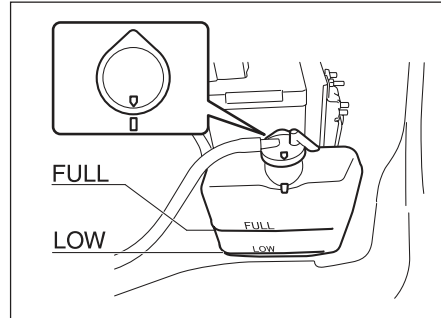
⚠ WARNING

Engine coolant is harmful or fatal if swallowed or inhaled. Do not drink antifreeze or coolant solution. If swallowed, do not induce vomiting. Immediately contact a poison control center or a physician. Avoid inhaling mist or hot vapors; if inhaled, remove to fresh air. If coolant gets in eyes, flush eyes with water and seek medical attention. Wash thoroughly after handling. Solution can be poisonous to animals. Keep out of the reach of children and animals.

NOTICE

- The mixture you use should contain 50% concentration of antifreeze.
- If the lowest ambient temperature in your area is expected to be -35°C (-31°F) or below, use higher concentrations up to 60% following the instructions on the antifreeze container.

(For Petrol Engine Model)



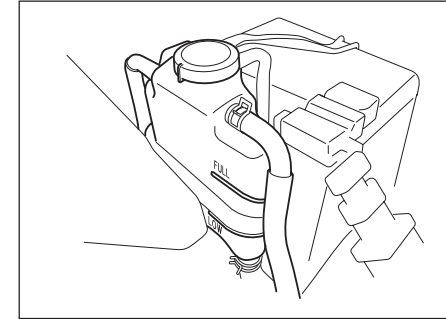
60M-07-014

If the coolant level is below the "LOW" mark, more coolant should be added. Remove the reservoir tank cap and add coolant until the reservoir tank level reaches the "FULL" mark. Never fill the reservoir tank above the "FULL" mark.

NOTICE

When putting the cap on the reservoir tank, line up the mark on the cap and the mark on the tank. Failure to follow this can result in coolant leakage.

(For Diesel Engine Model)



60M-07-015

⚠ WARNING

It is hazardous to remove the reservoir tank cap (degassing tank cap) for a diesel engine when the water temperature is high, because scalding fluid and steam may be blown out under pressure. Wait until the coolant temperature has lowered before removing the cap.

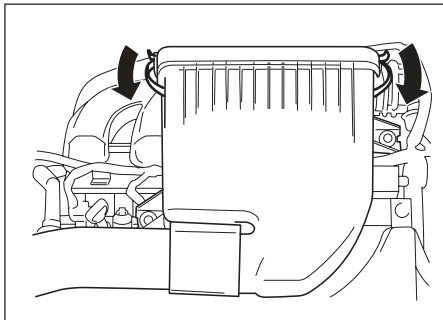
If the coolant level is below the "LOW" mark, more coolant should be added. When the engine is cool, remove the degassing tank cap by turning it anticlockwise slowly to release any pressure. And add coolant until the degassing tank level reaches the "FULL" mark. Never fill the degassing tank above the "FULL" mark.

Coolant Replacement

Since special procedures are required, we recommend you take your vehicle to your MARUTI SUZUKI dealer for coolant replacement.

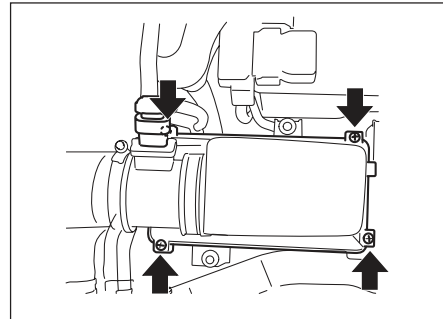
Air Cleaner

(For Petrol Engine Model)



60M-07-016

(For Diesel Engine Model)



60M-07-017

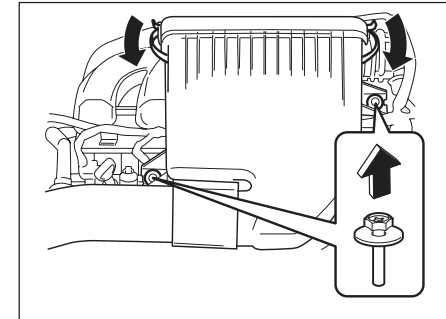
If the air cleaner is clogged with dust, there will be greater intake resistance, resulting in decreased power output and increased fuel consumption.

Unclamp the side clamps or loosen the screws, and remove the element from the air cleaner case. If it appears to be dirty, replace it with a new one. Clamp the side clamps or tighten the screws securely.

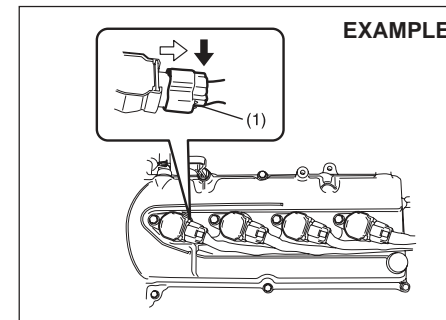
Spark Plugs

For nickel spark plugs (traditional type): You should inspect spark plugs periodically for carbon deposits. When carbon accumulates on a spark plug, a strong spark may not be produced. Remove carbon deposits with a wire or pin and adjust the

spark plug gap.



60M-07-018



60M-07-019

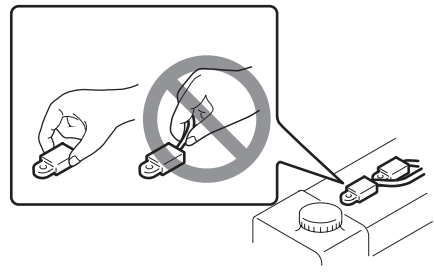
To access the spark plug:

- 1) Unclamp the side clamps and loosen the screws, then remove the air cleaner case.
- 2) If necessary, disconnect the coupler (1)

- while pushing the release lever.
- 3) Remove the ignitor bolts.
 - 4) Pull the spark plug boots out.

NOTE:

When installation, make sure the wires, couplers, sealing rubber of air cleaner assy and washers, are correctly returned in place.

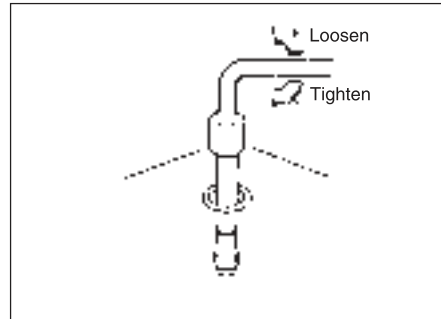
EXAMPLE

60M-07-020

NOTICE

When disconnecting the spark plug cables, pull on the boot, not on the cable itself. Pulling on the cable can damage it.

When servicing the iridium/platinum spark plugs (slender center electrode type plugs), do not touch the center electrode, as it is easy to damage.

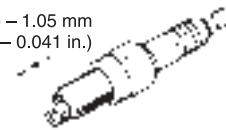


60M-07-021

NOTICE

- When installing the spark plugs, screw them in with your fingers to avoid stripping the threads. Tighten with a torque wrench to 17.5 Nm (1.8 kg-m, 13.0 lb-ft). Do not allow contaminants to enter the engine through the spark plug holes when the plugs are removed.
- Never use spark plugs with the wrong thread size.

0.95 – 1.05 mm
(0.037 – 0.041 in.)



60M-07-022

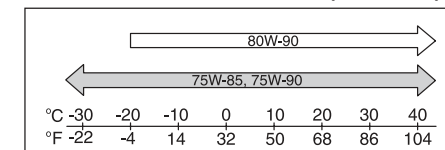
NOTICE

When replacing spark plugs, you should use the brand and type specified for your vehicle. For the specified plugs, refer to the "SPECIFICATIONS" section at the end of this book. If you wish to use a brand of spark plug other than the specified plugs, consult your MARUTI SUZUKI dealer.

Gear Oil**Specified Gear Oil**

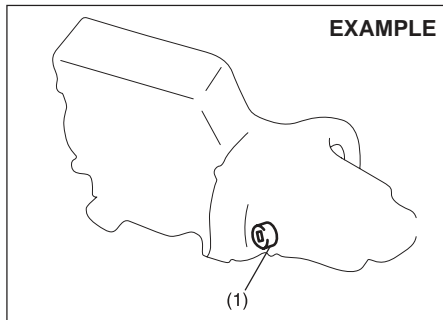
When adding gear oil, use gear oil with the appropriate viscosity and grade as shown in the chart below.

We highly recommend you use:
API GL-4 SAE 75W-90 for manual transmission gear oil.

Manual transmission oil (API GL-4)

60M-07-022a

Gear Oil Level Check Manual transmission



60M-07-023

(1) Oil filler and level plug

To check the gear oil level, use the following procedure:

- 1) Park the vehicle on a level surface with the parking brake applied. Then, stop the engine.
- 2) Remove the oil filler and level plug (1).
- 3) Check the inside of the hole with your finger. If the oil level comes up to the bottom of the plug hole, the oil level is correct. If so, reinstall the plug.
- 4) If the oil level is low, add gear oil through the oil filler and level plug hole (1) until the oil level reaches the bottom of the filler hole, then reinstall the plug.

Tightening torque for oil filler and level plug (1)

Manual :
21 Nm (2.1 kg-m, 15.2 lb-ft)

CAUTION

After driving the vehicle, the gear oil temperature may be high enough to burn you. Wait until the oil filler plug is cool enough to touch with your bare hands before inspecting gear oil level.

NOTICE

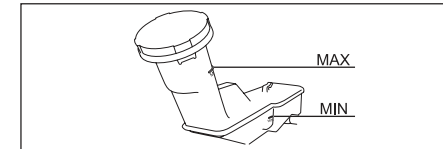
When tightening the plug, apply the following sealing compound or equivalent to the plug threads to prevent oil leakage.
SUZUKI Bond No. "1216E" or "1217G"

Gear Oil Change

Since special procedures, materials and tools are required, it is recommended that you trust this job to your authorized MARUTI SUZUKI dealer.

Clutch Pedal

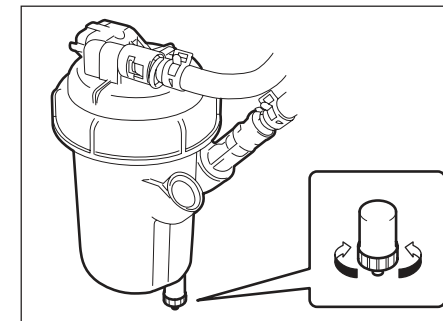
Fluid Control Clutch



60M-07-024

Check the clutch pedal for smooth operation and clutch fluid level from time to time. If clutch dragging is felt with the pedal fully depressed, have the clutch inspected by your MARUTI SUZUKI dealer. If the clutch fluid level is near the "MIN" line, fill it up to the "MAX" line with SAE J1703 or DOT3 brake fluid.

Fuel Filter (Diesel engine)



60M-07-025

The fuel filter works as a water sedimentor as well.

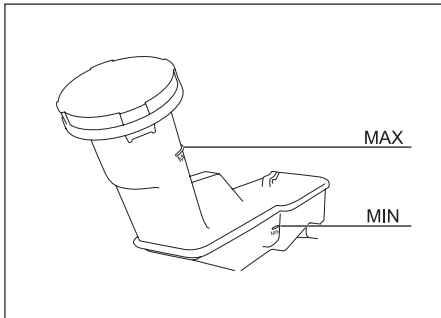
Drain water according to the Periodic Maintenance Schedule. To drain water:

- 1) Remove the battery. (Refer to "Battery" in this section.)
- 2) Place a pan or ample rag under the fuel filter drain nozzle.
- 3) Loosen the drain knob. The water will be drained.
- 4) Tighten the drain knob when the water changes to the diesel fuel.
- 5) Tighten the drain knob.

Tightening torque for drain knob
1.5 Nm (0.15 kg-m, 1.1 lb-ft)

Brakes

Brake Fluid



60M-07-026

Check the brake fluid level by looking at the reservoir in the engine compartment. Check that the fluid level is between the "MAX" and "MIN" lines. If the brake fluid level is near the "MIN" line, fill it up to the "MAX" line with MARUTI GENUINE brake fluid.

⚠ WARNING

Failure to follow the guidelines below can result in personal injury or serious damage to the brake system.

- If the brake fluid in the reservoir drops below a certain level, the brake warning light on the instrument panel will come on (the engine must be running with the parking brake fully disengaged). Should the light come on, immediately ask your MARUTI SUZUKI dealer to inspect the brake system.
- A rapid fluid loss indicates a leak in the brake system which should be inspected by your MARUTI SUZUKI dealer immediately.
- Do not use any fluid other than MARUTI GENUINE brake fluid. Do not use reclaimed fluid or fluid that has been stored in old or open containers. It is essential that foreign particles and other liquids are kept out of the brake fluid reservoir.

⚠ CAUTION

Brake fluid can harm your eyes and damage painted surfaces. Use caution when refilling the reservoir.

⚠ WARNING

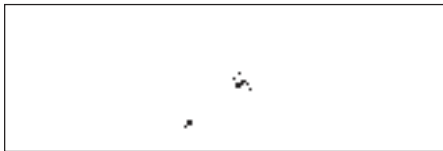
Brake fluid is harmful or fatal if swallowed, and harmful if it comes in contact with skin or eyes. If swallowed, do not induce vomiting. Immediately contact a poison control center or a physician. If brake fluid gets in eyes, flush eyes with water and seek medical attention. Wash thoroughly after handling. Solution can be poisonous to animals. Keep out of the reach of children and animals.

NOTE:

With disc brakes, the fluid level can be expected to gradually fall as the brake pads wear.

Brake Pedal

Check if the brake pedal stops at the regular height without “spongy” feeling when you depress it. If not, have the brake system inspected by your MARUTI SUZUKI dealer. If you doubt the brake pedal for the regular height, check it as follows:



60M-07-027

Pedal to floor carpet minimum distance “a”: 59 mm (2.3 in.)

With the engine running, measure the distance between the brake pedal and floor carpet when the pedal is depressed with approximately 30 kg (66 lbs) of force. The minimum distance required is as specified. Since your vehicle’s brake system is self-adjusting, there is no need for pedal adjustment.

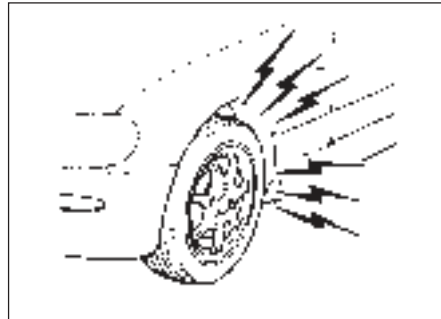
If the pedal to floor carpet distance as measured above is less than the minimum distance required, have your vehicle

7-15

inspected by your MARUTI SUZUKI dealer.

NOTE:

When measuring the distance between the brake pedal and floor carpet, be sure not to include the accessory floor mat or rubber mat on the floor in your measurement.

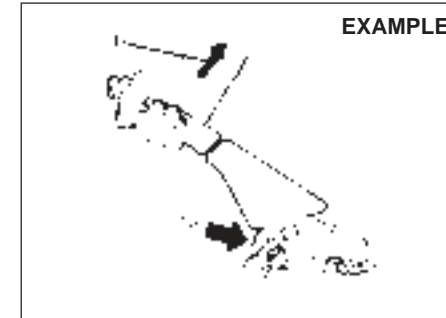


60M-07-028

⚠ WARNING

If you experience any of the following problems with your vehicle’s brake system, have the vehicle inspected immediately by your MARUTI SUZUKI dealer.

- Poor braking performance
- Uneven braking (brakes not working uniformly on all wheels.)
- Excessive pedal travel
- Brake dragging
- Excessive noise

Parking Brake

EXAMPLE

60M-07-029

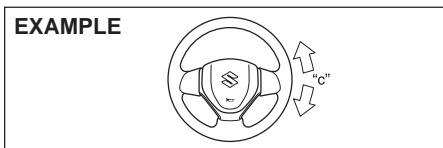
Ratchet tooth specification “b”:

4th – 9th

Lever pull force (1):**200 N (20 kg, 44 lbs)**

Check the parking brake for proper adjustment by counting the number of clicks made by the ratchet teeth as you slowly pull up on the parking brake lever to the point of full engagement. The parking brake lever should stop between the specified ratchet teeth and the rear wheels should be securely locked. If the parking brake is not properly adjusted or the brakes drag after the lever has been fully released, have the parking brake inspected and/or adjusted by your MARUTI SUZUKI dealer.

Steering



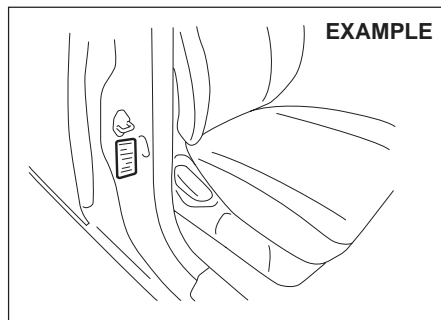
60M-07-030

Steering wheel play "c":
0 – 30 mm (0.0 – 1.2 in.)

Check the play of the steering wheel by gently turning it from left to right and measuring the distance that it moves before you feel slight resistance. The play should be between the specified values.

Check that the steering wheel turns easily and smoothly without rattling by turning it all the way to the right and to the left while driving very slowly in an open area. If the amount of free play is outside the specification or you find anything else to be wrong, an inspection must be performed by your MARUTI SUZUKI dealer.

Tyres



60M-07-031

The front and rear tyre pressure specifications for your vehicle are listed on the Tyre Information Label. Both the front and rear tyres should have the specified tyre pressure.

Tyre Inspection

Inspect your vehicle's tyres at least once a month by performing the following checks:

- 1) Measure the air pressure with a tyre gauge. Adjust the pressure if necessary. Remember to check the spare tyre, too.

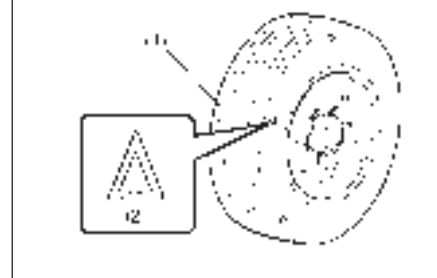
⚠ WARNING

- Air pressures should be checked when the tyres are cold or you may get inaccurate readings. →

⚠ WARNING

- ←
- Check the inflation pressure from time to time while inflating the tyre gradually, until the specified pressure is obtained.
 - Never underinflate or overinflate the tyres. Underinflation can cause unusual handling characteristics or can cause the rim to slip on the tyre bead, resulting in an accident or damage to the tyre or rim. Overinflation can cause the tyre to burst, resulting in personal injury. Overinflation can also cause unusual handling characteristics which may result in an accident.

EXAMPLE



60M-07-032

- (1) Tread wear indicator
 - (2) Indicator location mark
- 2) Check that the depth of the tread groove is more than 1.6 mm (0.06 in.). To help you check this, the tyres have molded-in tread wear indicators in the grooves. When the indicators appear on the tread surface, the remaining depth of the tread is 1.6 mm (0.06 in.) or less and the tyre should be replaced.
 - 3) Check for abnormal wear, cracks and damage. Any tyres with cracks or other damage should be replaced. If any tyres show abnormal wear, have them inspected by your MARUTI SUZUKI dealer.

⚠ CAUTION

Hitting curbs and running over rocks can damage tyres and affect wheel alignment. Be sure to have tyres and wheel alignment checked periodically by your MARUTI SUZUKI dealer.

- 4) Check for loose wheel nuts.
- 5) Check that there are no nails, stones or other objects sticking into the tyres.

⚠ WARNING

• Your MARUTI SUZUKI is equipped with tyres which are all the same →

7-17

⚠ WARNING



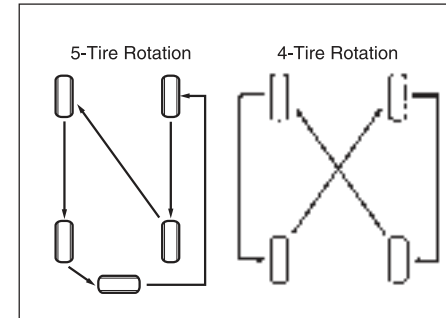
type and size. This is important to ensure proper steering and handling of the vehicle. Never mix tyres of different size or type on the four wheels of your vehicle. The size and type of tyres used should be only those approved by MARUTI SUZUKI as standard or optional equipment for your vehicle.

- Replacing the wheels and tyres equipped on your vehicle with certain combinations of aftermarket wheels and tyres can significantly change the steering and handling characteristics of your vehicle.
- Therefore, use only those wheel and tyre combinations approved by MARUTI SUZUKI as standard or optional equipment for your vehicle.

NOTICE

Replacing the original tyres with tyres of a different size may result in false speedometer or odometer readings.

Tyre Rotation



60M-07-033

To avoid uneven wear of your tyres and to prolong their life, rotate the tyres as illustrated. Tyres should be rotated as mentioned in periodic maintenance schedule. After rotation, adjust front and rear tyre pressures to the specification listed on your vehicle's Tyre Information Label.

Wheel Balancing

If the vehicle vibrates abnormally on smooth road, have the wheel balanced at Maruti Suzuki Authorized Workshop.

Wheel Alignment

In case of abnormal tyre wear or pulling towards one side, have the wheel aligned at Maruti Suzuki Authorized Workshop.

136

Tubeless Tyres (If equipped)

The vehicle is equipped with Tubeless Tyres. In tubeless tyre, a thin layer of butyl rubber is used for lining the inside of the tubeless tyre. This layer is to prevent air loss and fulfilling the purpose of tube. The air pressure is maintained by the sealing between tyre bead and wheel rim. Tubeless tyres are having advantage of slow air loss and preventing sudden deflation while driving.

Care and maintenance tips for tubeless tyres

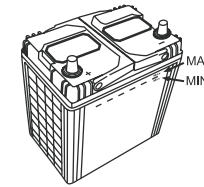
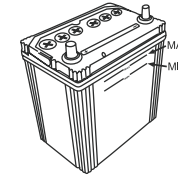
- 1) Always maintain recommended inflation pressure. Driving continuously at low inflation pressure can lead to tyre damage.
- 2) In case any leakage is found, check for any nail penetration/valve core damage or rim bent. Damaged wheel must not be used.
- 3) In case tyre has run at low pressure, it must be inspected for any defect.
- 4) Whenever new tyre is fitted, replace the valve.
- 5) If continuous high speed driving is required, increase tyre pressure by 5 psi over recommended inflation pressure.
- 6) Never run the tyre beyond TWI (Tread wear indicator). The tyre is recommended to be replaced when the remaining tread has worn to this point.

The indicators are spaced across the tread around the tyre marked by a triangular symbol (TWI).

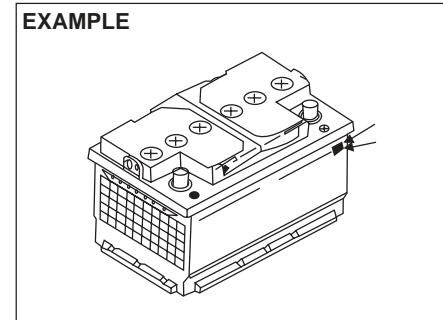
- 7) Always prefer tubeless tyre mounting machine. In case of manual mounting tyre/wheel rim damage may occur.
- 8) In case of any problem, please get in touch with MARUTI SUZUKI Authorized workshop.

Battery**⚠ WARNING**

- **Batteries produce flammable hydrogen gas. Keep flames and sparks away from the battery or an explosion may occur. Never smoke when working in the vicinity of the battery.**
- **When checking or servicing the battery, disconnect the negative cable. Be careful not to cause a short circuit by allowing metal objects to contact the battery posts and the vehicle at the same time.**
- **To avoid harm to yourself or damage to your vehicle or battery, follow the jump starting instructions in the "EMERGENCY SERVICE" section of this manual if it is necessary to jump start your vehicle.**

Petrol**EXAMPLE-1****EXAMPLE-2**

60M-07-034

Diesel**EXAMPLE**

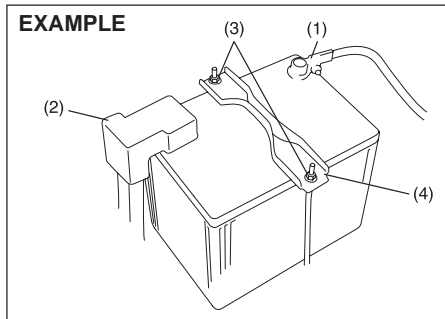
60M-07-034a

The level of the battery solution must be kept between the "Max" and the "Min" level lines at all times. If the level is found to be

below the "Min" level line, add distilled water to bring level between "Max" and "Min". You should, however, periodically check the battery, battery terminals and battery holddown bracket for corrosion. Remove corrosion using a stiff brush and ammonia mixed with water, or baking soda mixed with water. After removing corrosion, rinse with clean water.

If your vehicle is not going to be driven for a month or longer, disconnect the cable from the negative terminal of the battery to help prevent discharge..

Replacement of the battery



60M-07-035

- To remove the battery:
- 1) Disconnect the negative cable (1).
 - 2) Disconnect the positive cable (2).

7-19

- 3) Remove the retainer nuts (3) and remove the retainer (4).
- 4) Remove the battery.

To install the battery:

- 1) Install the battery in the reverse order of removal.
- 2) Tighten the retainer nuts and battery cables securely.

NOTE:

When the battery is disconnected, some of the vehicle's function will be initialized and/or deactivated.

These function are required to reset after the battery is reconnected.

Fuses

Your vehicle has three types of fuses, as described below:

Main fuse

The main fuse takes current directly from the battery.

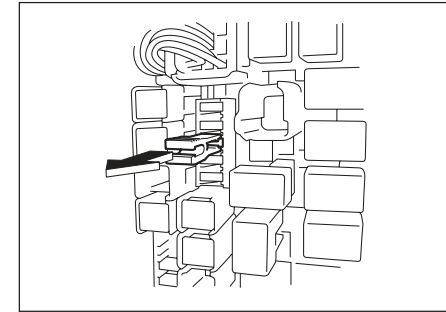
Primary fuses

These fuses are between the main fuse and individual fuses, and are for electrical load groups.

Individual fuses

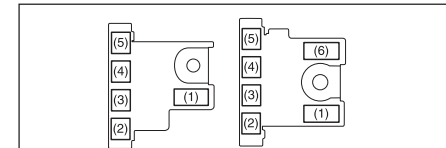
These fuses are for individual electrical circuits.

To remove a fuse, use the fuse puller provided in the fuse box.

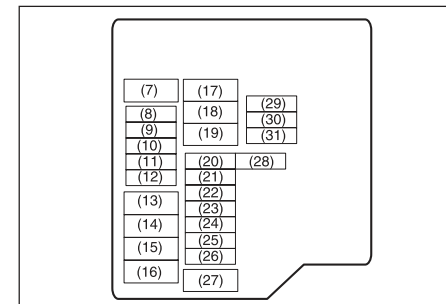


60M-07-036

Fuses in the Engine Compartment



60M-09-037



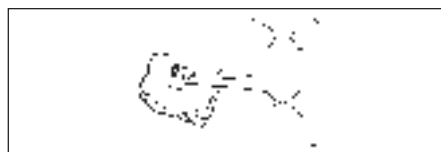
60M-07-038
138

MAIN FUSE / PRIMARY FUSE		
(1)	100 A	FL1 (GAS)
	120 A	FL1 (DIESEL)
(2)	100 A	FL2
(3)	100 A	FL3
(4)	50 A	FL4
(5)	80 A	FL5
(6)	100 A	FL6 (DIESEL)
(7)	50 A	Ignition switch -2
(8)	7.5 A	ECM (DIESEL)
(9)	–	Blank
(10)	–	Blank
(11)	10 A	Air compressor
(12)	15 A	FI (GAS)
(13)	30 A	FI (DIESEL)
(14)	60 A	Power steering
(15)	30 A	Radiator fan
(16)	40 A	ABS motor
(17)	40 A	Blower fan
(18)	30 A	Starting motor
(19)	–	Blank
(20)	30 A	Back up
(21)	–	Blank
(22)	15 A	Head light (Left)
(23)	25 A	ABS control module
(24)	15 A	Head light (Right)

(25)	20 A	Front fog light
(26)	–	Blank
(27)	40 A	Ignition switch
(28)	7.5 A	Starting Signal
(29)	20 A	INJ DRV (DIESEL)
(30)	10 A	FI2 (DIESEL)
(31)	15 A	F/P (DIESEL)

The main fuse, primary fuses and some of the individual fuses are located in the engine compartment. If the main fuse blows, no electrical component will function. If a primary fuse blows, no electrical component in the corresponding load group will function. When replacing the main fuse, a primary fuse or an individual fuse, use a Maruti genuine part replacement.

To remove a fuse, use the fuse puller provided in the fuse box. The amperage of each fuse is shown in the back of the fuse box cover.



60M-07-039

⚠ WARNING

If the main fuse or a primary fuse blows, be sure to have your vehicle



⚠ WARNING



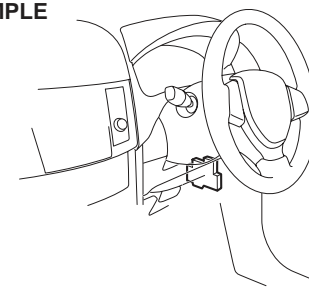
inspected by an authorized MARUTI SUZUKI dealer. Always use a Maruti genuine replacement. Never use a substitute such as a wire even for a temporary repair, or extensive electrical damage and a fire can result.

NOTE:

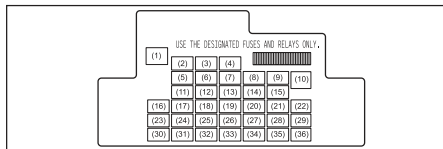
Make sure that the fuse box always carries spare fuses.

Fuses under the Dash Board

EXAMPLE



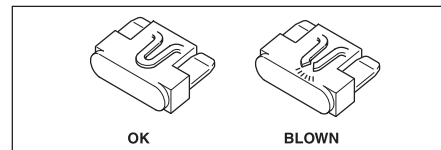
60M-07-040



60M-07-41

PRIMARY FUSE		
(1)	30 A	Belt
(2)	-	Blank
(3)	-	Blank
(4)	20 A	Rear defogger
(5)	-	Blank
(6)	-	Blank
(7)	-	Blank
(8)	7.5 A	Starting Signal
(9)	15 A	ACC-2
(10)	30 A	Power window
(11)	10 A	Hazard
(12)	-	Blank
(13)	15 A	Ignition coil
(14)	10 A	ABS control module
(15)	15 A	ACC
(16)	-	Blank
(17)	15 A	Horn
(18)	10 A	Stop light
(19)	10 A	Air bag
(20)	10 A	Back-up light

(21)	15 A	Rear wiper / Washer
(22)	25 A	Front wiper
(23)	7.5 A	Dome light
(24)	-	Blank
(25)	7.5 A	RR fog lamp
(26)	-	Blank
(27)	7.5 A	Ignition-1 signal
(28)	-	Blank
(29)	-	Blank
(30)	15 A	Radio
(31)	10 A	Tail lamp
(32)	20 A	D/L
(33)	7.5 A	Cruise control
(34)	10 A	Meter
(35)	7.5 A	Ignition-2 signal
(36)	-	Blank



60M-07-042

⚠ WARNING
 Always be sure to replace a blown fuse with a fuse of the correct amper- ➡

⚠ WARNING

←
 age. Never use a substitute such as aluminum foil or wire to replace a blown fuse. If you replace a fuse and the new one blows in a short period of time, you may have a major electrical problem. Have your vehicle inspected immediately by your MARUTI SUZUKI dealer.

Headlight Aiming

Since special procedures are required, we recommend you take your vehicle to your MARUTI SUZUKI dealer for headlight alignment.

Bulb Replacement

⚠ CAUTION

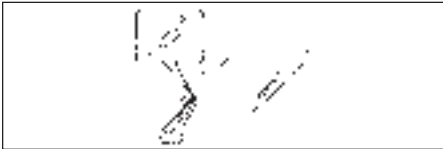
- Light bulbs can be hot enough to burn your finger right after being turned off. This is true especially for halogen headlight bulbs. Replace the bulbs after they become cool enough.
- The headlight bulbs are filled with pressurized halogen gas. They can burst and injure you if they are hit or dropped. Handle them carefully.

NOTICE
 The oils from your skin may cause a halogen bulb to overheat and burst when the lights are on. Grasp a new bulb with a clean cloth.

NOTICE
 Frequent replacement of a bulb indicates the need for an inspection of the electrical system. This should be carried out by your MARUTI SUZUKI dealer.

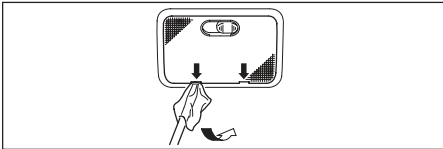
Interior Light

Front / Center



60M-07-043

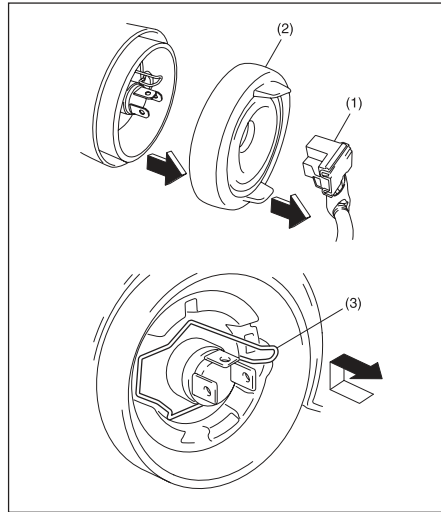
Rear



60M-07-044

Pull down the lens by using a flat blade screwdriver covered with a soft cloth as shown. To install it, simply push it back in. The bulb can be removed by simply pulling it out. When replacing the bulb, make sure that the contact springs are holding the bulb securely.

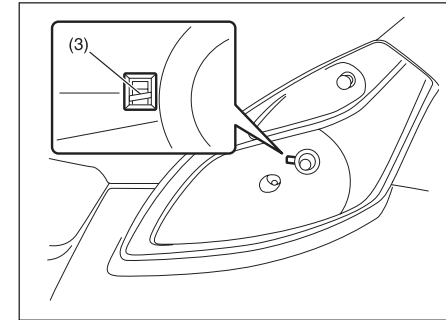
Headlight



60M-07-045

Open the engine hood. Disconnect the coupler (1). Remove the sealing rubber (2). Push the retaining spring (3) forward and

unhook it. Then remove the bulb. Install a new bulb in the reverse order of removal.

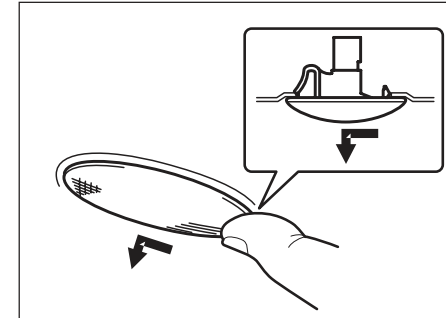


60M-07-046

NOTE:

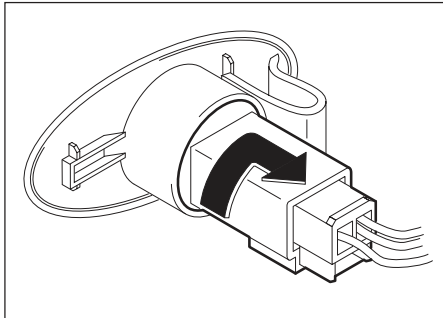
You can see the position of retaining spring (3) from the hole of headlight.

Side Turn Signal Light (if equipped)



60M-07-047

Remove the light housing by sliding to left with your finger.

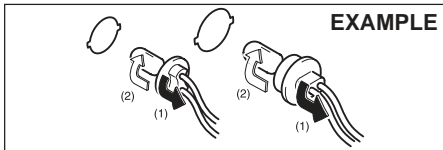


60M-07-048

To remove a bulb holder from a light housing, turn the holder clockwise and pull it out. Then remove the bulb. Install a new bulb in the reverse order.

Other General Lights

Bulb holder



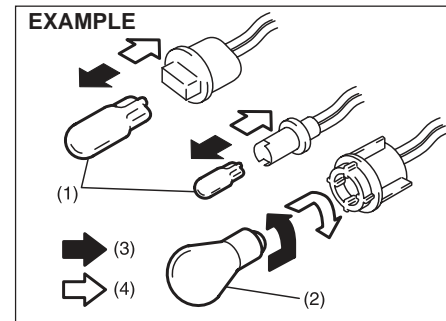
60M-07-049

- (1) Removal
- (2) Installation

7-23

To remove a bulb holder from a light housing, turn the holder counterclockwise and pull it out. To install the holder, push the holder in and turn it clockwise.

Bulb



60M-07-050

- (3) Removal
- (4) Installation

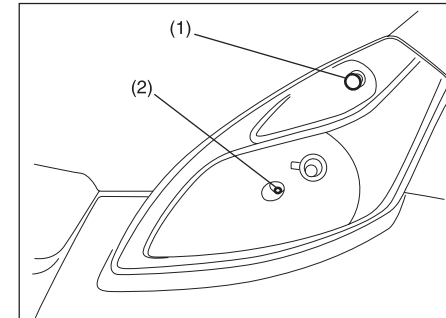
There are two types of bulb, "Full glass type" (1) and "Glass/metal type" (2).

To remove and install a full glass type bulb (1), simply pull out or push in the bulb.

To remove a glass metal type bulb (2) from a bulb holder, push in the bulb and turn it counterclockwise. To install a new bulb, push it in and turn it clockwise.

You can access the individual bulb or bulb holders as follows.

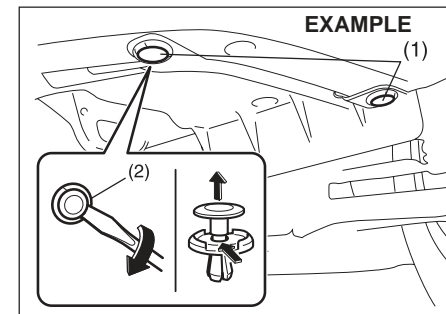
**Front turn signal light (1)
Front position light (2)**



60M-07-051

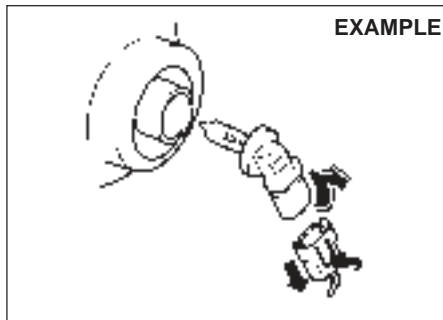
Front fog light (if equipped)

- 1) Start the engine. Turn the steering wheel to the opposite side of the replacing fog light to replace the bulb easily. Then turn off the engine.



60M-07-052

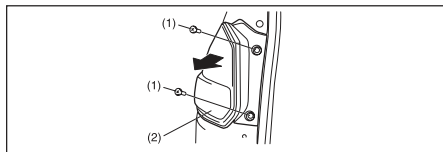
- 2) Insert a flat blade screwdriver into the hole (2) and remove the clips (1) by twist the driver as shown in the illustration.



60M-07-053

- 3) Open the fender cover. Disconnect the coupler with pushing the lock release. Turn the bulb holder counterclockwise and remove it.

Rear combination light (tail, stop, turn signal, etc.)



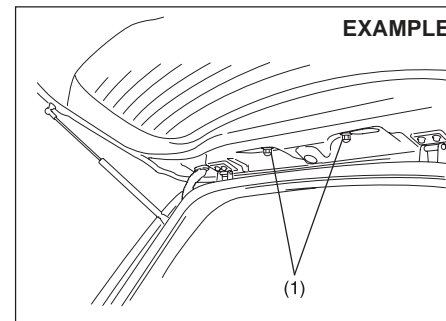
60M-07-054

Remove the screw (1). Remove the combination light (2) by pulling it outside.

License plate light

Since special procedures are required, we recommend you take your vehicle to your MARUTI SUZUKI dealer for bulb replacement.

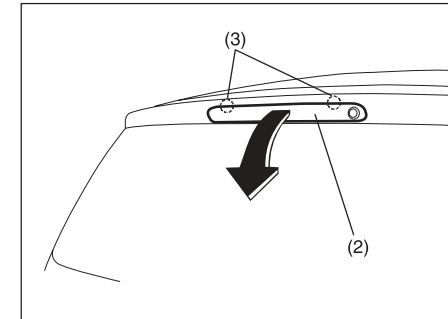
High-mount stop light



60M-07-055

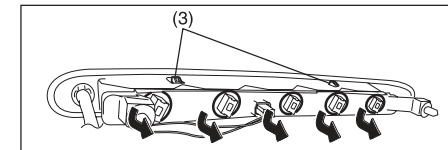
To remove a high-mount stop light housing the following procedure:

- 1) Open the tailgate, and remove the nuts (1) as shown in the illustration.



60M-07-056

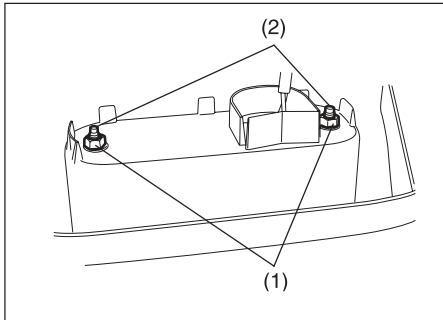
- 2) Close the tailgate. Release the claws (3) of the light housing by a flat blade screwdriver, etc. The claws are shown in the next illustration. Remove a high-mount stop light housing (2) from the tailgate.



60M-07-057

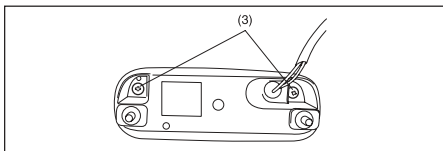
- 3) Remove the each bulb.
4) Replace the bulbs.
To install a high-mounted stop light housing in the reverse order of removal.

Rear fog light (if equipped)



60M-07-058

- 1) Remove the nuts (1) as shown in the illustration.
- 2) Remove the rear fog light by pushing the bolt (2).



60M-07-059

- 3) Remove the bolts (3) and open the cover.

Wiper Blades



60M-07-060

If the wiper blades become brittle or damaged, or make streaks when wiping, replace the wiper blades.

To install new wiper blades, follow the procedures below.

NOTICE

To avoid scratching or breaking the window, do not let the wiper arm strike the window while replacing the wiper blade.

NOTE:

Some wiper blades may be different from the ones described here depending on vehicle specifications. If so, consult your MARUTI SUZUKI dealer for proper replacement method.

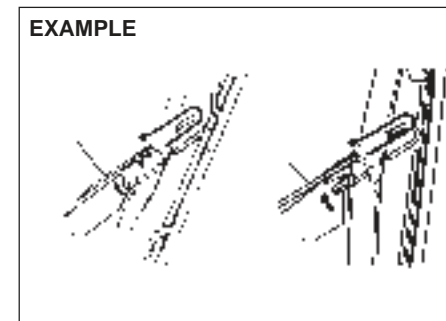
For windshield wipers:



60M-07-061

- 1) Hold the wiper arm away from the window.

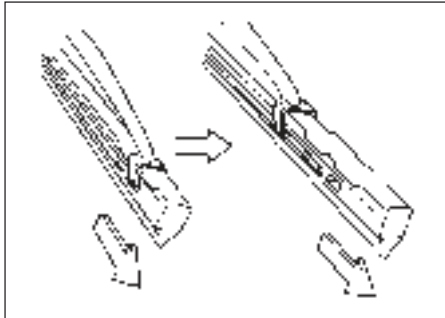
EXAMPLE



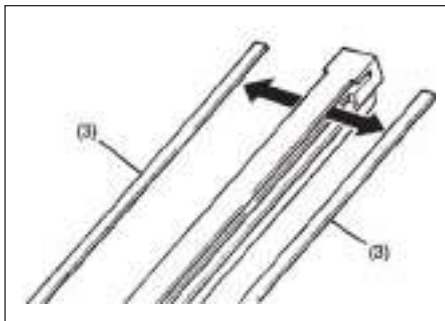
60M-07-062

- 2) Squeeze lock (1) towards wiper arm (2) and remove the wiper frame from the

- arm as shown.
 3) Unlock the lock end of the wiper blade and slide the blade out as shown.



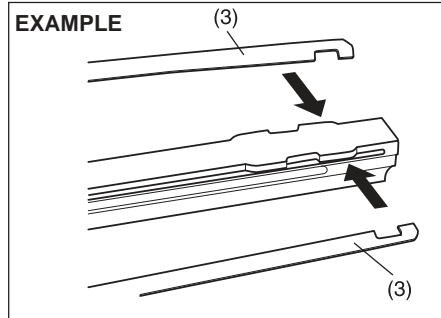
60M-07-063



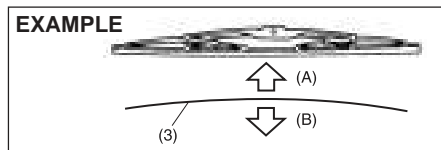
60M-07-064

(3) Retainer

- 4) If the new blade is provided without the two metal retainers, move them from the old blade to the new one.



60M-07-065



60M-07-066

- (A) Up
 (B) Down

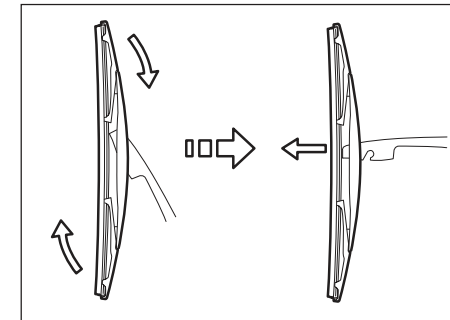
NOTE:
 When you install the metal retainers (3), make sure the direction of metal retainers as shown in the above illustrations.



60M-07-067

- (4) Locked end
 5) Install the new blade in the reverse order of removal, with the locked end positioned toward the wiper arm. Make sure the blade is properly retained by all the hooks. Lock the blade end into place.
 6) Reinstall wiper frame to arm, making sure that the lock lever is snapped securely into the arm.

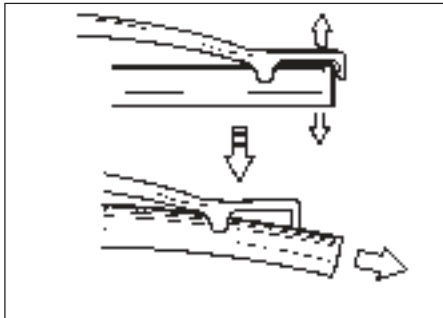
For rear wipers:



60M-07-068

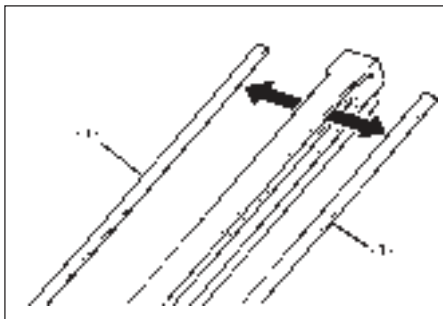
- 1) Hold the wiper arm away from the window.

- 2) Remove the wiper frame from the arm as shown.
- 3) Slide the blade out as shown.



60M-07-069

NOTE:
Do not flex the wiper blade frame end more than necessary. If you do, it can break off.

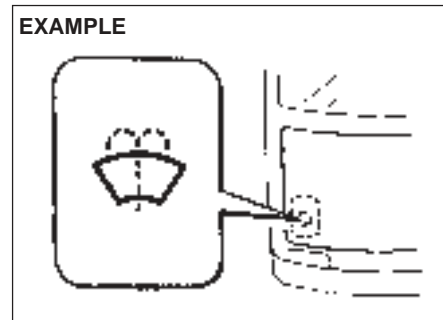


60M-07-070

- (1) Retainer
- 4) If the new blade is provided without the two metal retainers, move them from the old blade to the new one.
- 5) Install the new blade in the reverse order of removal.
Make sure the blade is properly retained by all the hooks.
- 6) Reinstall wiper frame to arm in the reverse order of removal.

Windshield Washer Fluid

EXAMPLE



60M-07-071

Check that there is washer fluid in the tank. Refill it if necessary. Use a good quality windshield washer fluid, diluted with water as necessary.

⚠ WARNING

Do not use "anti-freeze" solution in the windshield washer reservoir. This can severely impair visibility when sprayed on the windshield, and also damage your vehicle's paint.

NOTICE

Damage may result if the washer motor is operated with no fluid in the washer tank.

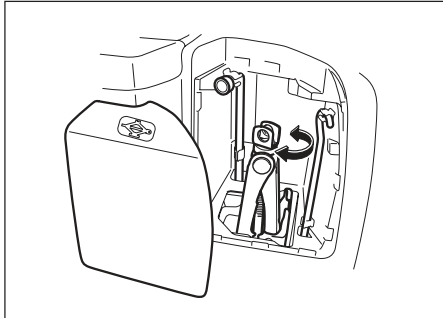
Air Conditioning System

If you do not use the air conditioner for a long period, such as during winter, it may not give the best performance when you start using it again. To help maintain optimum performance and durability of your air conditioner, it needs to be run periodically. Operate the air conditioner at least once a month for one minute with the engine idling. This circulates the refrigerant and oil and helps protect the internal components.

EMERGENCY SERVICE

Tyre Changing Tool	8-1
Jacking Instructions	8-2
Jump Starting Instructions	8-5
Towing	8-6
If the Starter Does Not Operate	8-6
If the Engine is Flooded	8-6
If the Engine Overheats	8-6

Tyre Changing Tool



60M-08-001

The tyre changing tools are stowed in the right side of the luggage compartment. Remove the cover to access the tools.

To remove the jack, turn its shaft counter-clockwise and pull the jack out of the storage bracket.

To stow the jack, place it in the storage bracket and turn the shaft clockwise until the jack is securely held in place.

⚠ WARNING

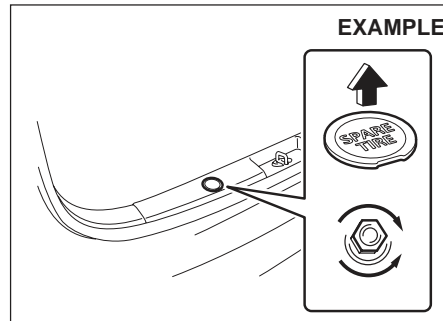
After using the tyre changing tools, be sure to stow them securely or they can cause injury if an accident occurs.

⚠ CAUTION

The jack should be used only to change wheels. It is important to read the jacking instructions in this section before attempting to use the jack.

The spare tyre is stowed under the rear floor.

To remove the spare tyre:

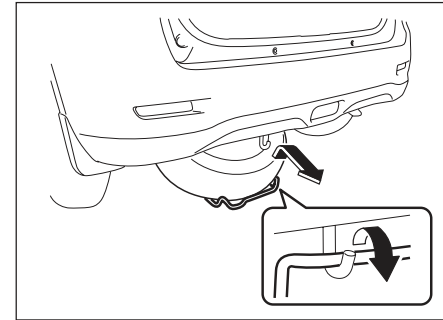


60M-08-002

1) Remove the cap and loosen the spare tyre holder hook bolt with the lug wrench.

NOTICE

Loose the spare tyre holder hook bolt until you can remove the hook by yourself. If the bolt is loosen too much, the hook might off and the spare tyre might drop off to the ground.



60M-08-003

- 2) Unhook the spare tyre holder and lower it slowly.
- 3) Remove the tyre.

To install the spare tyre:

- 1) Install the spare tyre facing up the outside of the wheel in the reverse order of removal.
- 2) Tighten the spare tyre holder hook bolt securely.

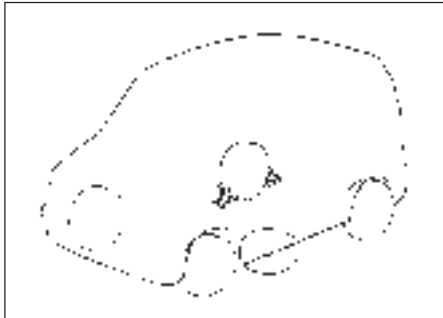
⚠ WARNING

Do not drive your vehicle with the loose spare tyre holder hook bolt, otherwise it may come loose or the spare tyre may drop off, which can result in an accident.

NOTICE

Tighten the spare tyre holder hook bolt securely. However, do not overtighten the bolt, it may be warped or broken.

Tightening torque for the spare tyre holder hook bolt
30 Nm (3.0 kg-m, 21.7 lb-ft)

Jacking Instructions

60M-08-004

- 1) Place the vehicle on level, hard ground.
- 2) Set the parking brake firmly and shift into "R" (Reverse) if your vehicle has a manual transmission.

⚠ WARNING

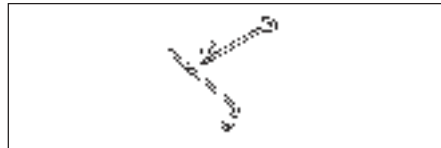
- Be sure to shift into "R" (Reverse) for a manual transmission vehicle when you jack up the vehicle. →

149

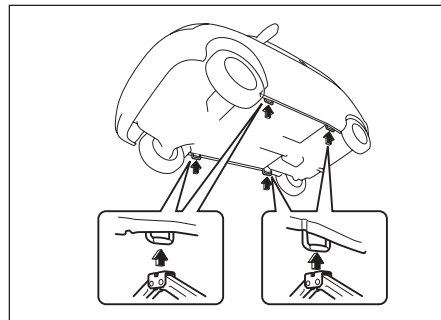
⚠ WARNING

- ← • Never jack up the vehicle with the transmission in "N" (Neutral). Otherwise, unstable jack may cause an accident.

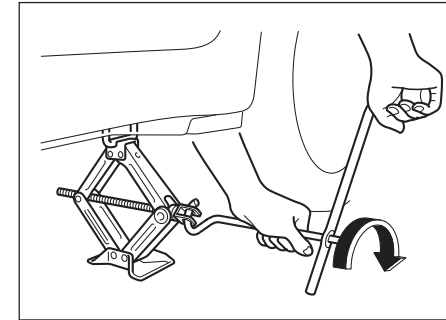
- 3) Turn on the hazard warning flasher if your vehicle is near traffic.
- 4) Block the front and rear of the wheel diagonally opposite of the wheel being lifted.
- 5) Place the spare wheel near the wheel being lifted as shown in the illustration in case that the jack slips.



60M-08-005



60M-08-006



60M-08-007

- 6) Position the jack at an angle as shown in the illustration and raise the jack by turning the jack handle clockwise until the jack-head groove fits around the jacking bar beneath the vehicle body.
- 7) Continue to raise the jack slowly and smoothly until the tyre clears the ground. Do not raise the vehicle more than necessary.

⚠ WARNING

- Use the jack only to change wheels on level, hard ground.
- Never jack up the vehicle on an inclined surface.
- Never raise the vehicle with the jack in a location other than the specified jacking point (shown in the →

→

8-2

⚠ WARNING

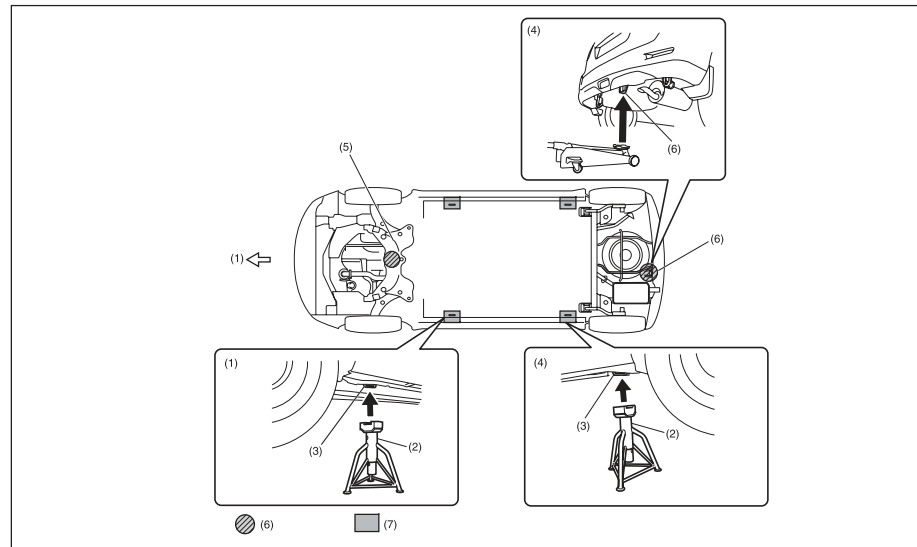
illustration) near the wheel to be changed.

Especially, do not raise the vehicle with a jack at a part of the torsion beam which is located under the vehicle body, between rear wheels.

- Make sure that the jack is raised at least 51 mm (2 inches) before it contacts the flange. Use of the jack when it is within 51 mm (2 inches) of being fully collapsed may result in failure of the jack.
- No person should place any portion of their body under a vehicle that is supported by a jack.
- Never run the engine when the vehicle is supported by the jack and never allow passengers to remain in the vehicle.

To Raise the Vehicle with a Garage Jack

- Apply the garage jack to one of the points indicated below.
- Always support the raised vehicle with jack stands (commercially available) at the points indicated below.



60M-08-008

- (1) Front
- (2) Jack stand
- (3) Jacking point for onboard jack
- (4) Rear
- (5) Front suspension frame
- (6) Jacking point for garage jack
- (7) Application point for two-column lift and jack stand

NOTICE

- Never apply a garage jack to the exhaust pipe or engine undercover and rear torsion beam.
- When you apply a garage jack to the rear jacking point, it may interfere with the rear bumper depending on the shape of the garage jack.

NOTE:

For more details, please contact an authorized MARUTI SUZUKI dealer.

Changing Wheels

To change a wheel, use the following procedure:

- 1) Clear all passengers and luggage from the vehicle.
- 2) Remove the jack, tools and spare wheel from the vehicle.
- 3) Loosen, but do not remove the wheel nuts.
- 4) Jack up the vehicle (follow the jacking instructions in this section).

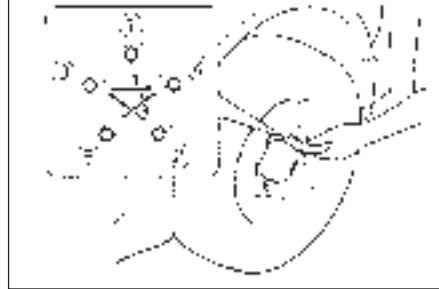
⚠ WARNING

- **Be sure to shift into "R" (Reverse) in manual transmission when you jack up the vehicle.**
- **Never jack up the vehicle with the transmission in "N" (Neutral). Otherwise, unstable jack may cause an accident.**

- 5) Remove the wheel nuts and wheel.
- 6) Before installing the new wheel, clean any mud or dirt off from the surface of the wheel and hub with a clean cloth. Clean the hub carefully; it may be hot from driving.
- 7) Install the new wheel and replace the wheel nuts with their cone shaped end facing the wheel. Tighten each nuts snugly by hand until the wheel is securely seated on the hub.

151

EXAMPLE



60M-08-009

**Tightening torque for wheel nuts
100 Nm (10.0 kg-m, 72.3 lb-ft)**

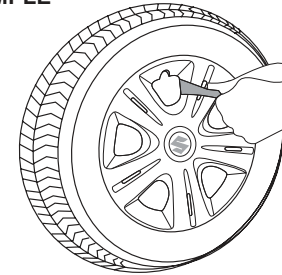
- 8) Lower the jack and fully tighten the nuts in a crisscross fashion with a wrench as shown in the illustration.

⚠ WARNING

Use genuine wheel nuts and tighten them to the specified torque as soon as possible after changing wheels. Incorrect wheel nuts or improperly tightened wheel nuts may come loose or fall off, which can result in an accident. If you do not have a torque wrench, have the wheel nuts torque checked by an authorized MARUTI SUZUKI dealer.

Full Wheel Cover (if equipped)

EXAMPLE



60M-08-010

Insert a piece of cloth between the spokes of the wheel cover and try to pull the cover outward (as shown in figure). Take out the detached wheel cover from the wheel rim. For installation first match the slot at the wheel cover with the air filling nozzle of the wheel. Apply equal pressure at the circumference of the wheel cover to fix it in the wheel rim.

EXAMPLE



60M-08-011

When installing the cover, make sure that it is positioned so that it does not cover or foul the air valve.

After Changing Wheels

Stow the tyre changing tools (jack, jack handle and lug wrench) in place. Also, stow the flat tyre in the spare tyre stowed position. Refer to "Tyre Changing Tool" in this section.

NOTICE

Repair or replace the flat tyre immediately. If the flat tyre is placed in the spare tyre stowed position for long time, it can cause vehicle shakiness, noise, or scratches.

Jump Starting Instructions**⚠ WARNING**

- Never attempt to jump start your vehicle if the battery appears to be frozen. Batteries in this condition may explode or rupture if jump starting is attempted.
- When making jump lead connections, be certain that your hands and the jump leads remain clear from pulleys, belts, or fans.
- Batteries produce flammable hydrogen gas. Keep flames and sparks away from the battery or an explosion may occur. Never smoke when working in the vicinity of the battery.

**⚠ WARNING**

- If the booster battery you use for jump starting is installed in another vehicle, make sure the two vehicles are not touching each other.
- If your battery discharges repeatedly, for no apparent reason, have your vehicle inspected by an authorized MARUTI SUZUKI dealer.
- To avoid harm to yourself or damage to your vehicle or battery, follow the jump starting instructions below precisely and in order. If you are in doubt, call for qualified road service.

NOTICE

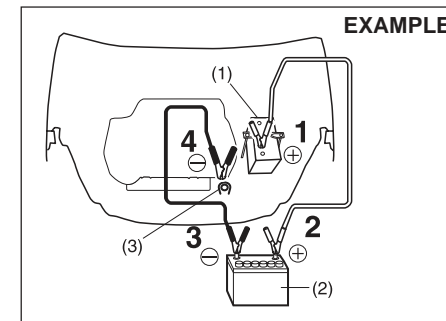
Your vehicle should not be started by pushing or towing. This starting method could result in permanent damage to the catalytic converter and high pressure pump (diesel). Use jump leads to start a vehicle with a weak or flat battery.

When Jump Starting Your Vehicle, Use the Following Procedure:

- 1) Use only a 12-volt battery to jump start your vehicle. Position the good 12-volt battery close to your vehicle so that the jump leads will reach both batteries.

When using a battery installed on another vehicle, **DO NOT LET THE VEHICLES TOUCH**. Set the parking brakes fully on both vehicles.

- 2) Turn off all vehicle accessories, except those necessary for safety reasons (for example, headlights or hazard lights).



60M-08-012

- 3) Make jump lead connections as follows:

1. Connect one end of the first jump lead to the positive (+) terminal of the flat battery (1).
2. Connect the other end to the positive (+) terminal of the booster battery (2).
3. Connect one end of the second jump lead to the negative (-) terminal of the booster battery (2).
4. Make the final connection to an unpainted, heavy metal part (i.e.

engine hook (3)) of the engine of the vehicle with the flat battery (1).

⚠ WARNING

Never connect the jump lead directly to the negative (-) terminal of the discharged battery, or an explosion may occur.

- 4) If the booster battery you are using is fitted to another vehicle, start the engine of the vehicle with the booster battery. Run the engine at moderate speed.
- 5) Start the engine of the vehicle with the flat battery.
- 6) Remove the jump leads in the exact reverse order in which you connected them.

Towing

If you need to have your vehicle towed, contact a professional service. Your dealer can provide you with detailed towing instructions.

NOTICE

To help avoid damage to your vehicle during towing, proper equipment and towing procedures must be used.

2-Wheel Drive (2WD) Manual Transmission

Manual transmission vehicles may be towed

153

using either of the following methods.

- 1) From the front, with the front wheels lifted and the rear wheels on the ground. Before towing, make sure that the parking brake is released.
- 2) From the rear, with the rear wheels lifted and the front wheels on the ground, provided the steering and drivetrain are in operational condition. Before towing, make sure that transmission is in neutral, the steering wheel is unlocked (the ignition key should be in the "ACC" position), and the steering wheel is secured with a clamping device designed for towing service.

NOTICE

The steering column is not strong enough to withstand shocks transmitted from the front wheels during towing. Always unlock the steering wheel before towing.

If the Starter Does Not Operate

- 1) Try turning the ignition switch to the "START" position with the headlights turned on to determine the battery condition. If the headlights go excessively dim or go off, it usually means that either the battery is flat or the battery terminal contact is poor. Recharge the battery or correct battery terminal contact as necessary.

- 2) If the headlights remain bright, check the fuses. If the reason for failure of the starter is not obvious, there may be a major electrical problem. Have the vehicle inspected by your authorized MARUTI SUZUKI dealer.

If the Engine is Flooded

If the engine is flooded with Petrol, it may be hard to start. If this happens, press the accelerator pedal all the way to the floor and hold it there while cranking the engine. (Do not operate the starter motor for more than 15 seconds).

If the Engine Overheats

The engine could overheat temporarily under severe driving conditions. If the engine coolant temperature gauge indicates overheating during driving:

- 1) Turn off the air conditioner, if equipped.
- 2) Take the vehicle to a safe place and park.
- 3) Let the engine run at the normal idle speed for a few minutes until the indicator is within the normal, acceptable temperature range between "H" and "C".

⚠ WARNING

If you see or hear escaping steam, stop the vehicle in a safe place and immediately turn off the engine to let

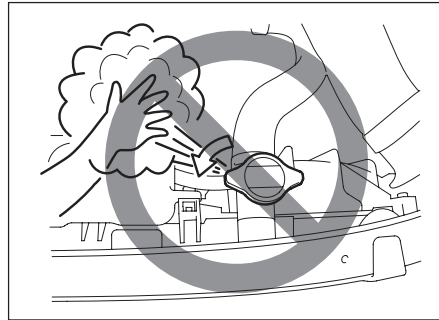


⚠ WARNING

←
it cool. Do not open the hood when steam is present. When the steam can no longer be seen or heard, open the hood to see if the coolant is still boiling. If it is, you must wait until it stops boiling before you proceed.

If the temperature indication does not come down to within the normal, acceptable range:

- 1) Turn off the engine and check that the water pump belt and pulleys are not damaged or slipping. If any abnormality is found, correct it.
- 2) Check the coolant level in the reservoir. If it is found to be lower than the "LOW" line, look for leaks at the radiator, water pump, and radiator and heater hoses. If you locate any leaks that may have caused the overheating, do not run the engine until these problems have been corrected.
- 3) If you do not find a leak, carefully add coolant to the reservoir and then the radiator, if necessary. (Refer to "Engine Coolant" in the "INSPECTION AND MAINTENANCE" section.)



60M-08-013

⚠ WARNING

- It is hazardous to remove the radiator cap (or degassing tank cap for a diesel engine) when the water temperature is high, because scalding fluid and steam may be blown out under pressure. The cap should only be taken off when the coolant temperature has lowered.
- To help prevent personal injury, keep hands, tools and clothing away from the engine cooling fan and air-conditioner fan (if equipped). These electric fans can automatically turn on without warning.

APPEARANCE CARE

Corrosion Prevention	9-1
Vehicle Cleaning	9-2

Corrosion Prevention

It is important to take good care of your vehicle to protect it from corrosion. Listed below are instructions for how to maintain your vehicle to prevent corrosion. Please read and follow these instructions carefully.

Important Information About Corrosion

Common causes of corrosion

- 1) Accumulation of road salt, dirt, moisture, or chemicals in hard-to-reach areas of the vehicle underbody or frame.
- 2) Chipping, scratches and any damage to treated or painted metal surfaces resulting from minor accidents or abrasion by stones and gravel.

Environmental conditions which accelerate corrosion

- 1) Road salt, dust control chemicals, sea air or industrial pollution will all accelerate the corrosion of metal.
- 2) High humidity will increase the rate of corrosion particularly when the temperature range is just above the freezing point.
- 3) Moisture in certain areas of a vehicle for an extended period of time may promote corrosion even though other body sections may be completely dry.
- 4) High temperatures will cause an accelerated rate of corrosion to parts of the vehicle which are not well ventilated to permit quick drying.

9-1

This information illustrates the necessity of keeping your vehicle (particularly the underbody) as clean and dry as possible. It is equally important to repair any damage to the paint or protective coatings as soon as possible.

How to Help Prevent Corrosion

Wash your vehicle frequently

The best way to preserve the finish on your vehicle and to help avoid corrosion is to keep it clean with frequent washing.

Wash your vehicle at least once during the winter and once immediately after the winter. Keep your vehicle, particularly the underside, as clean and dry as possible. If you frequently drive on salted roads, your vehicle should be washed at least once a month during the winter. If you live near the ocean, your vehicle should be washed at least once a month throughout the year.

For washing instructions, refer to the "Vehicle Cleaning" section.

Remove foreign material deposits

Foreign material such as salts, chemicals, road oil or tar, tree sap, bird droppings and industrial fall-out may damage the finish of your vehicle if it is left on painted surfaces. Remove these types of deposits as quickly as possible. If these deposits are difficult to wash off, an additional cleaner may be required. Be sure that any cleaner you use is not harmful to painted surfaces and is

specifically intended for your purposes. Follow the manufacturer's directions when using these special cleaners.

Repair finish damage

Carefully examine your vehicle for damage to the painted surfaces. Should you find any chips or scratches in the paint, touch them up immediately to prevent corrosion from starting. If the chips or scratches have gone through to the bare metal, have a qualified body shop make the repair.

Keep passenger and luggage compartments clean

Moisture, dirt or mud can accumulate under the floor mats and may cause corrosion. Occasionally, check under these mats to ensure that this area is clean and dry. More frequent checks are necessary if the vehicle is used off road or in wet weather.

Certain cargos such as chemicals, fertilizers, cleaners, salts, etc. are extremely corrosive by nature. These products should be transported in sealed containers. If a spill or leak does occur, clean and dry the area immediately.

Store your vehicle in a dry, well-ventilated area

Do not park your vehicle in a damp, poorly ventilated area. If you often wash your vehicle in the garage or if you frequently drive it in when wet, your garage may be damp. The high humidity in the garage may

cause or accelerate corrosion. A wet vehicle may corrode even in a heated garage if the ventilation is poor.

⚠ WARNING

Do not apply additional undercoating or rust preventive coating on or around exhaust system components such as the catalytic converter, exhaust pipes, etc. A fire could be started if the undercoating substance becomes overheated.

Vehicle Cleaning



60M-09-001

⚠ WARNING

When cleaning the interior or exterior of the vehicle, NEVER USE flammable

⚠ WARNING

← solvents such as lacquer thinners, Petrol, benzene or cleaning materials such as bleaches or strong household detergents. The materials could cause personal injury or damage to the vehicle.

Cleaning the Interior

Vinyl upholstery

Prepare a solution of soap or mild detergent mixed with warm water. Apply the solution to the vinyl with a sponge or soft cloth and let it soak for a few minutes to loosen dirt.

Rub the surface with a clean, damp cloth to remove dirt and the soap solution. If some dirt still remains on the surface, repeat this procedure.

Fabric upholstery

Remove loose dirt with a vacuum cleaner. Using a mild soap solution, rub stained areas with a clean damp cloth. To remove soap, rub the areas again with a cloth dampened with water. Repeat this until the stain is removed, or use a commercial fabric cleaner for tougher stains. If you use a fabric cleaner, carefully follow the manufacturer's instructions and precautions.

Seat belts

Clean seat belts with a mild soap and water. Do not use bleach or dye on the belts. They may weaken the fabric in the belts.

Vinyl floor mats

Ordinary dirt can be removed from vinyl with water or mild soap. Use a brush to help loosen dirt. After the dirt is loosened, rinse the mat thoroughly with water and dry it in the shade.

Carpets

Remove dirt and soil as much as possible with a vacuum cleaner. Using a mild soap solution, rub stained areas with a clean damp cloth. To remove soap, rub the areas again with a cloth dampened with water. Repeat this until the stain is removed, or use a commercial carpet cleaner for tougher stains. If you use a carpet cleaner, carefully follow the manufacturer's instructions and precautions.

Instrument panel and console

NOTE:

Wipe up spills containing chemicals, alcohol, etc., immediately with a soft, damp cloth. Use a mild soap solution if necessary. Do not use cleaners or polishes containing strong solvents or acidic solutions. These chemicals may stain and discolor the instrument panel and console.

Cleaning the Exterior

NOTICE

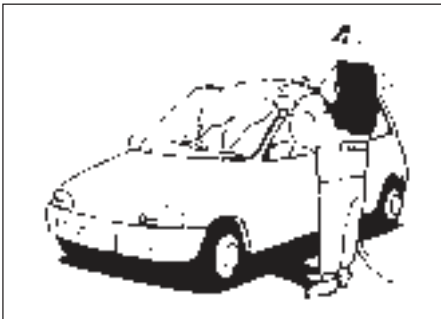
It is important that your vehicle be kept clean and free from dirt. Failure to keep your vehicle clean may result in fading of the paint or corrosion to various parts of the vehicle body.

Caring for Aluminum Wheels

NOTE:

- Do not use an acidic or alkaline detergent to wash aluminum wheels. These types of detergent will cause permanent spots, discoloration and cracks on finished surfaces.
- Do not use a bristle brush and soap containing an abrasive material. These will damage finished surfaces.

Washing



60M-09-002

⚠ WARNING

- Never attempt to wash and wax your vehicle with the engine running.
- When cleaning the underside of the body and fender, where there may be sharp-edged parts, you should wear gloves and a long-sleeved shirt to protect your hands and arms from being cut.
- After washing your vehicle, carefully test the brakes before driving to make sure they have maintained their normal effectiveness.

When washing the vehicle, park it where direct sunlight does not fall on it and follow the instructions below:

- 1) Flush the underside of body and wheel housings with pressurized water to remove mud and debris. Use plenty of water.

NOTICE

- When washing the vehicle:
- Avoid directing steam or hot water of more than 80°C (176°F) on plastic parts.
 - To avoid damaging engine components, do not use pressurized water in the engine compartment.

- 2) Rinse the body to loosen the dirt. Remove dirt and mud from the body exterior with running water. You may use a soft sponge or brush. Do not use hard materials which can scratch the paint or plastic. Remember that the headlight covers or lenses are made of plastic in many cases.

NOTICE

To avoid damage to the paint or plastic surface, do not wipe the dirt off without ample water. Be sure to follow above procedure.

- 3) Wash the entire exterior with a mild detergent or car wash soap using a sponge or soft cloth. The sponge or cloth should be frequently soaked in the soap solution.

NOTICE

When using a commercial car wash product, observe the cautions specified by the manufacturer. Never use strong household detergents or soaps.

- 4) Once the dirt has been completely removed, rinse off the detergent with running water.
- 5) After rinsing, wipe off the vehicle body with a wet chamois or cloth and allow it to dry in the shade.

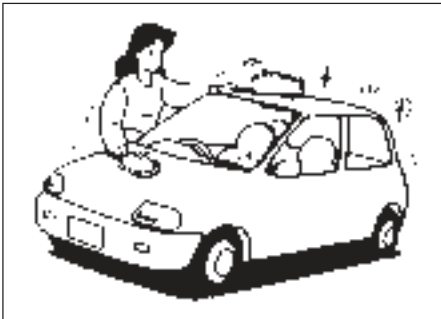
- 6) Check carefully for damage to painted surfaces. If there is any damage, "touch-up" the damage following the procedure below:
1. Clean all damaged spots and allow them to dry.
 2. Stir the paint and "touch-up" the damaged spots lightly using a small brush.
 3. Allow the paint to dry completely.

NOTICE

If you use an automatic car wash, make sure that your vehicle's body parts, such as spoilers, cannot be damaged. If you are in doubt, consult the car wash operator for advice.

After washing the vehicle, waxing and polishing are recommended to further protect and beautify the paint.

- Only use waxes and polishes of good quality.
- When using waxes and polishes, observe the precautions specified by the manufacturers.

Waxing

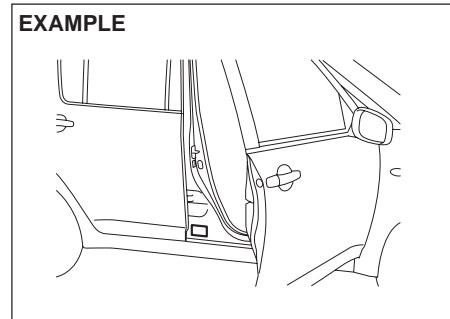
60M-09-003

GENERAL INFORMATION

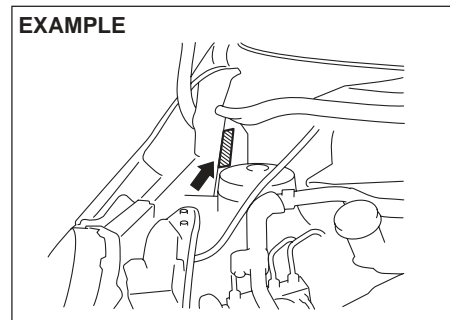
Vehicle Identification 10-1

Vehicle Identification

Chassis Serial Number



60M-10-001



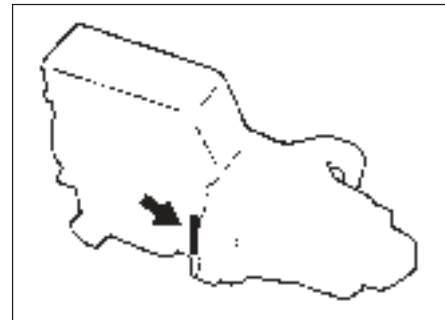
60M-10-002

The chassis and/or engine serial numbers are used to register the vehicle. They are also used to assist your dealer when order-

10-1

ing or referring to special service information. Whenever you have occasion to consult your MARUTI SUZUKI dealer, remember to identify your vehicle with this number. Should you find the number difficult to read, you will also find it on the identification plate.

Engine Serial Number



60M-10-002

The engine serial number is stamped on the cylinder block as shown in the illustration.

SPECIFICATIONS

NOTE:

Specifications are subject to change without notice.

Petrol: Petrol engine model

Diesel: Diesel engine model

ITEM: Dimensions		UNIT: mm
Overall length		4265
Overall width		1695
Overall height		1685
Wheelbase		2740
Track	Front	1480
	Rear	1490
Ground clearance		185

ITEM: Mass (weight)		UNIT: kg	
Curb mass (weight)	Petrol	1160 - 1180	
	Diesel	1235 - 1255	
Gross vehicle mass (weight) rating	Petrol	1760	
	Diesel	1845	
Gross axle mass (weight) rating	Front	Petrol	820
		Diesel	900
	Rear	Petrol	990
		Diesel	990

SPECIFICATIONS

76G-74E

ITEM: Engine		
Type	K14B (DOHC)	D13A (DOHC)
Number of cylinders	4	4
Bore	73.0 mm (2.87 in.)	69.6 mm (2.74 in.)
Stroke	82.0 mm (3.23 in.)	82.0 mm (3.23 in.)
Piston displacement	1373 cm ³ (1373 cc, 83.8 cu.in)	1248 cm ³ (1248 cc, 76.1 cu.in)
Compression ratio	10.0 ± 0.4 : 1	17.6 ± 0.4 : 1
ITEM: Electrical		
Standard spark plug	Petrol	NGK KR6A-10
Battery	Petrol	12V 34B20L & 38B20L
	Diesel	12V DIN 65L & DIN 60L
Fuses	See "INSPECTION AND MAINTENANCE" section.	

ITEM: Lights		WATTAGE	BULB No.
Headlight		12V 60/55W	H4
Turn signal light	Front	12V 21W	PY21W
	Rear	12V 21W	PY21W
Side turn signal light (on fender)		12V 5W	WY5W
Side turn signal light (on outside rearview mirror)		LED	–
Position light		12V 5W	W5W
Tail/brake light		12V 21/5W	P21/5W
License plate light		12V 5W	W5W
Reversing light		12V 16W	W16W
Interior light (center)		12V 10W	–
Interior light (rear)		12V 10W	–
Front fog light		12V 35W	H8
Rear fog light		12V 21W	P21W
High mount stop light		12V 5W	W5W

SPECIFICATIONS

76G-74E

ITEM: Wheel and Suspension	
Tyre size, front and rear	185/65R15 88*1S
Rim size	15X5 1/2J
Tyre pressures	For the specified tyre pressure, see the Tyre Information Label located on the driver's door lock pillar.

* 1 If you cannot prepare a tyre with the specified load index rate, prepare a tyre with higher load index rate.

ITEM: Capacities (approx.)		
Coolant (including reservoir tank)	Petrol	5.1 L
	Diesel	6.3 L
Fuel tank		45 L
Engine oil		3.1 L (replacement with oil filter)
Transmission oil		2.6 L