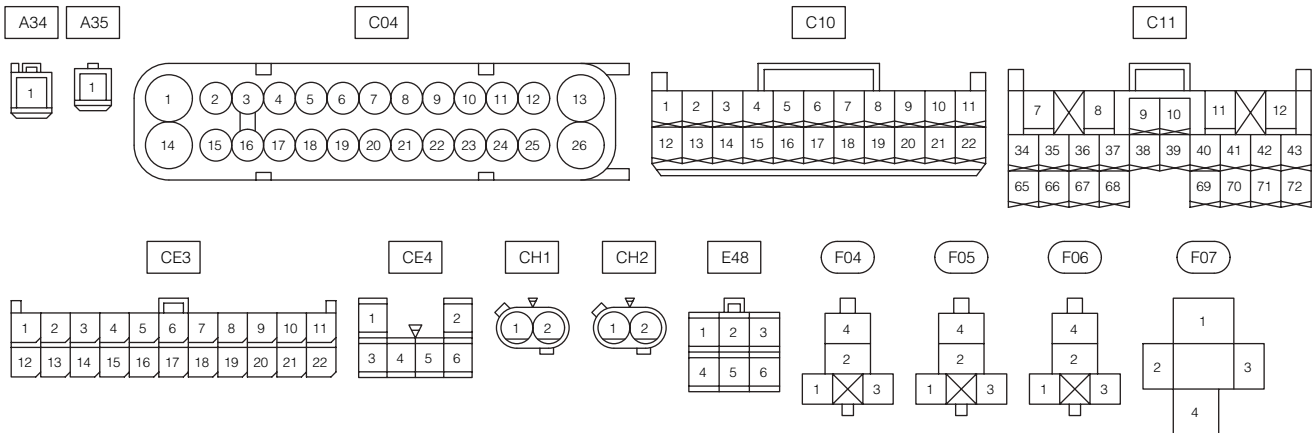
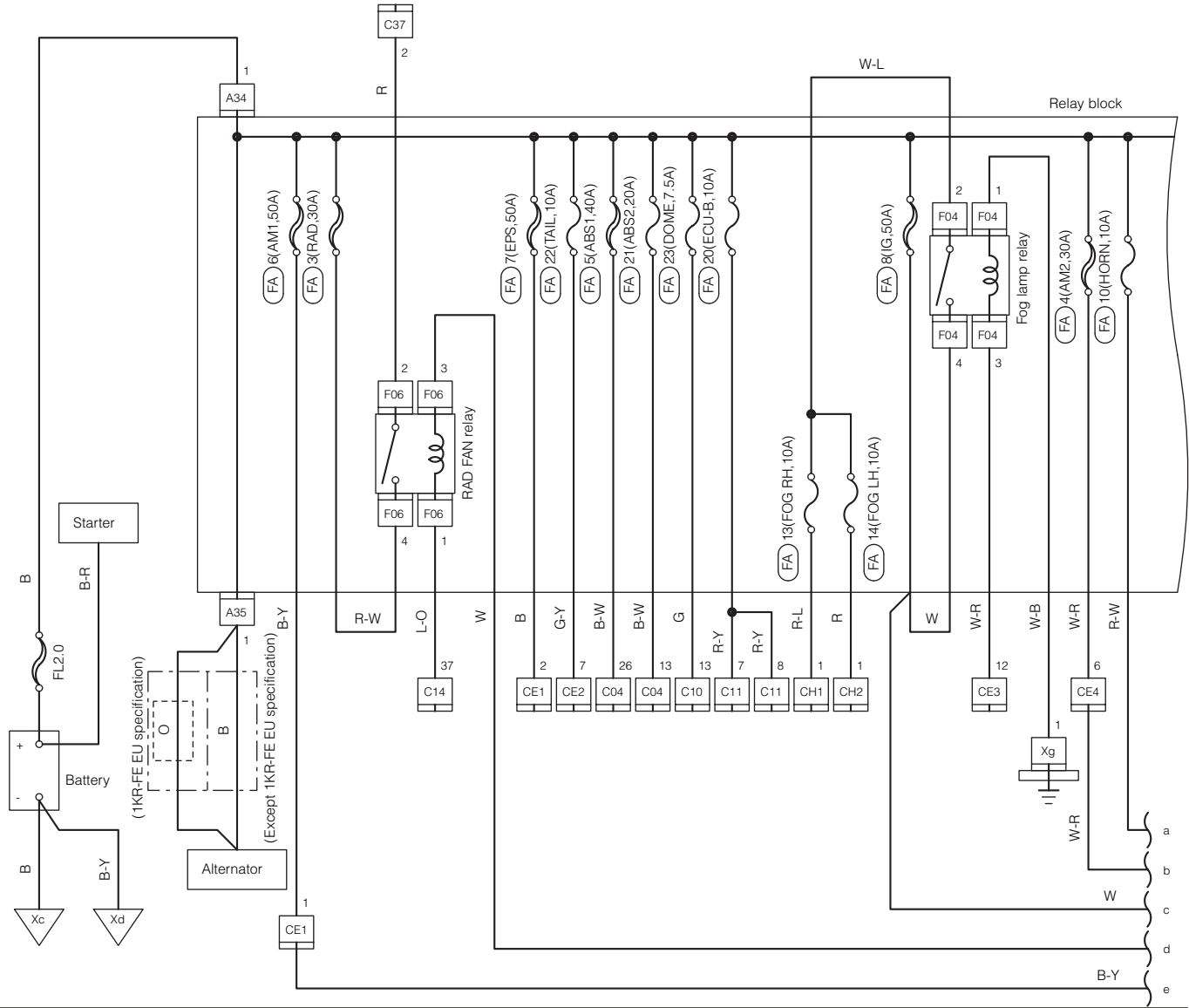
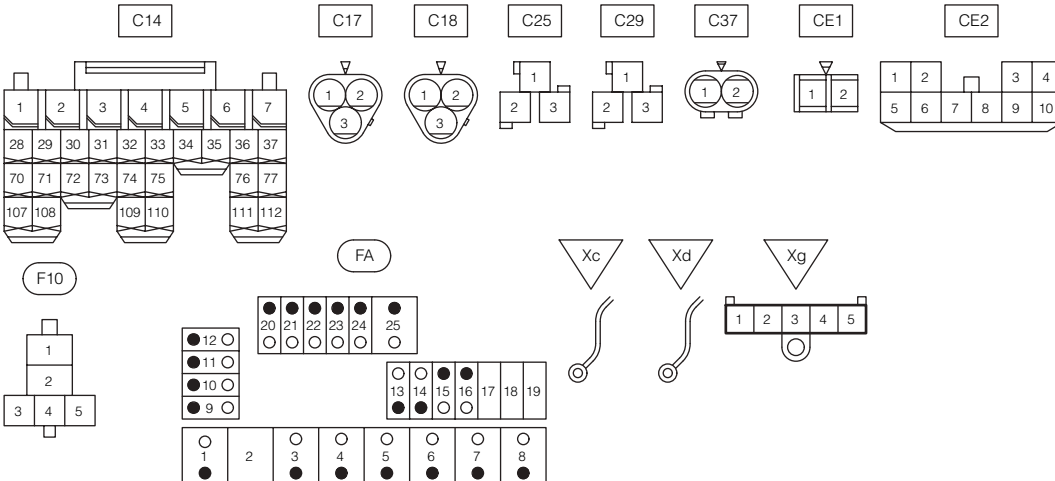
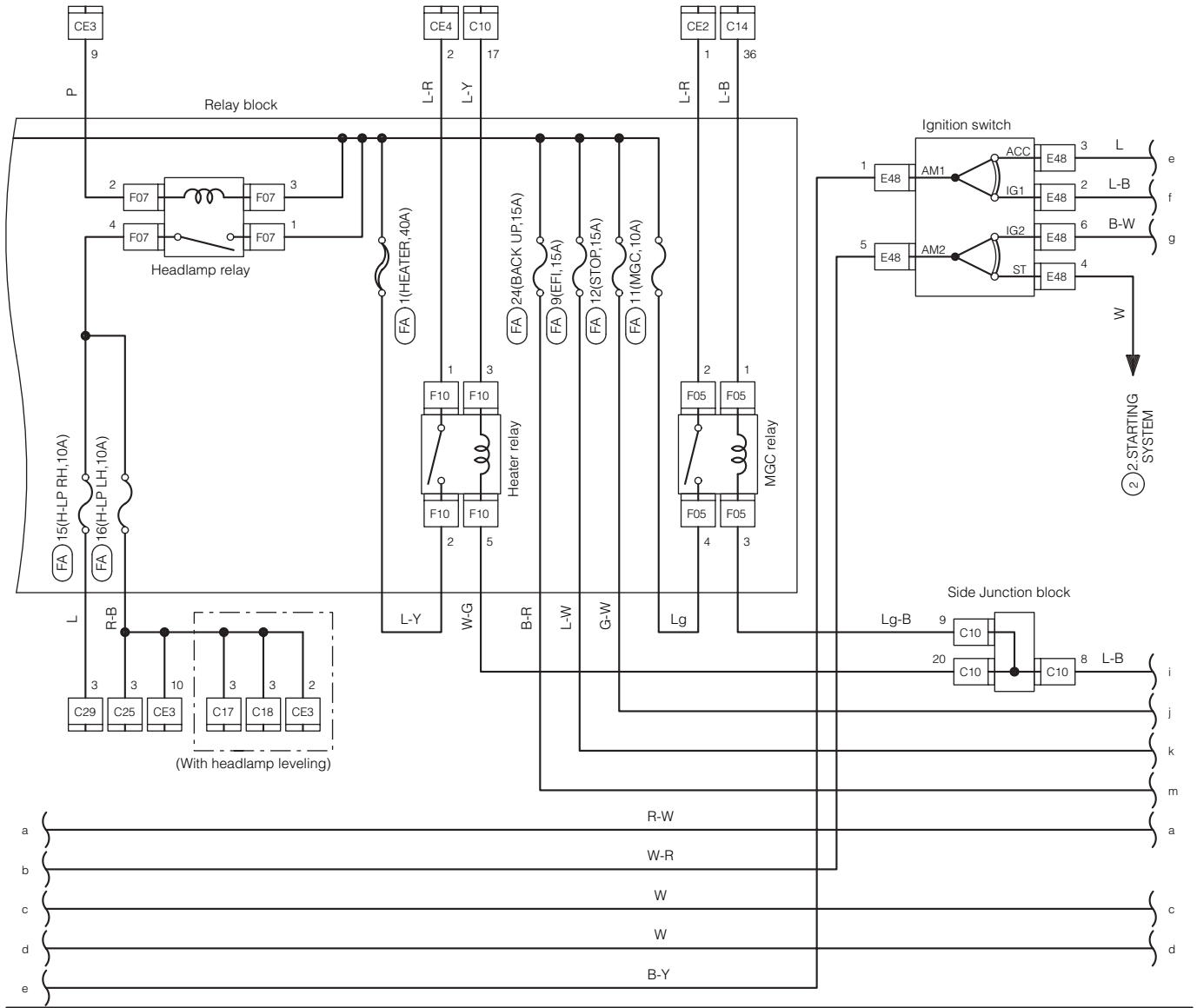


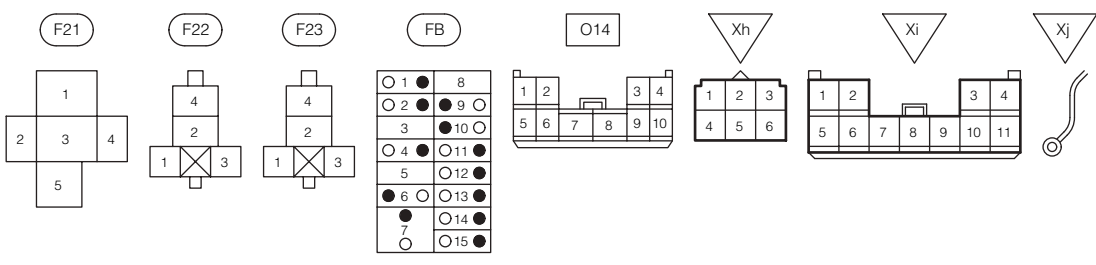
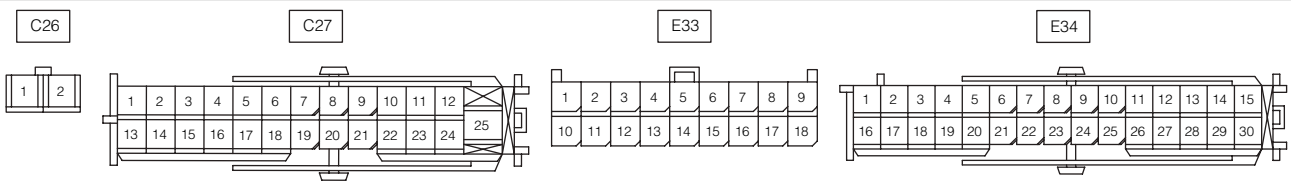
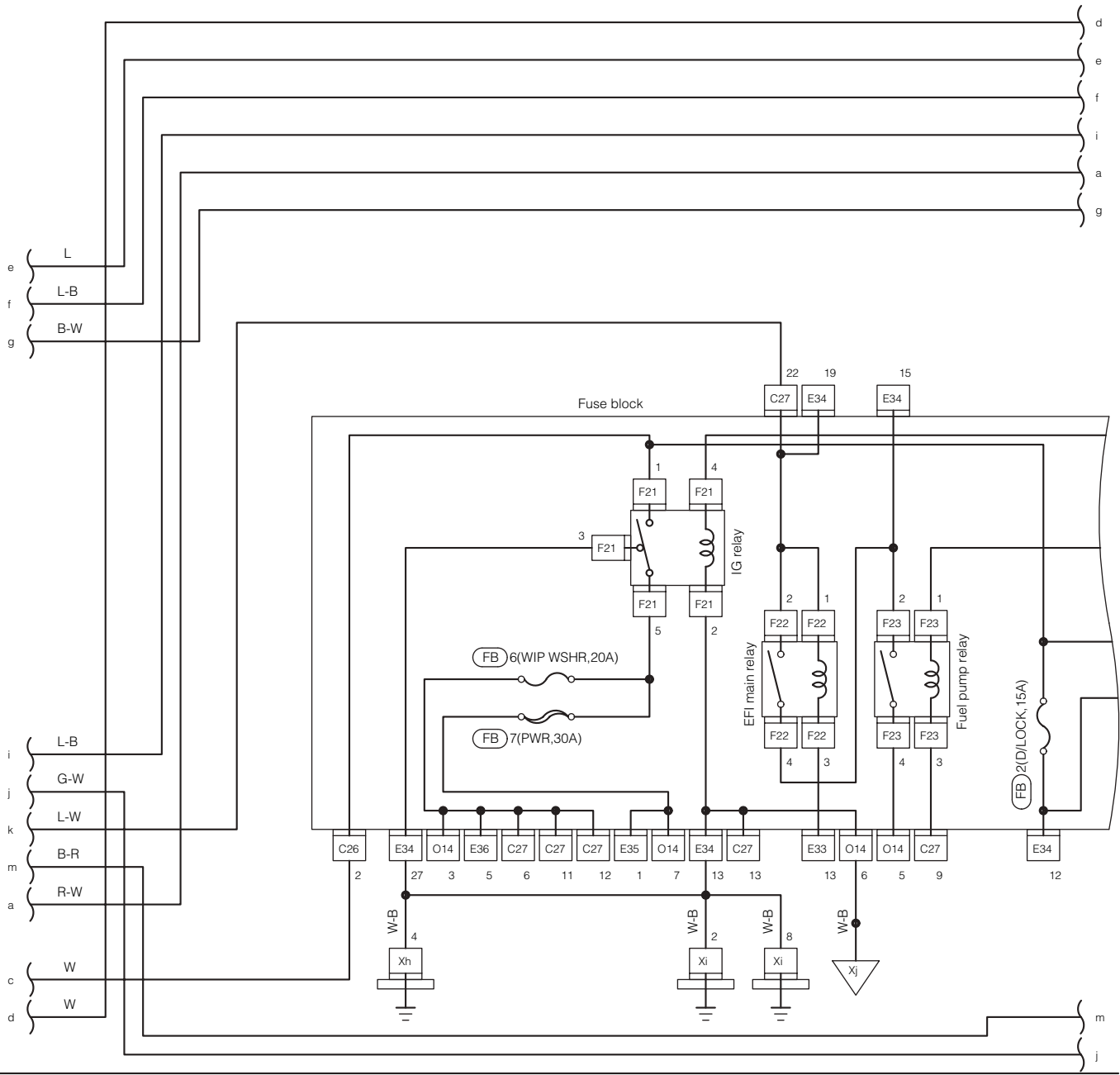
## D CIRCUIT DIAGRAM BY FUNCTION

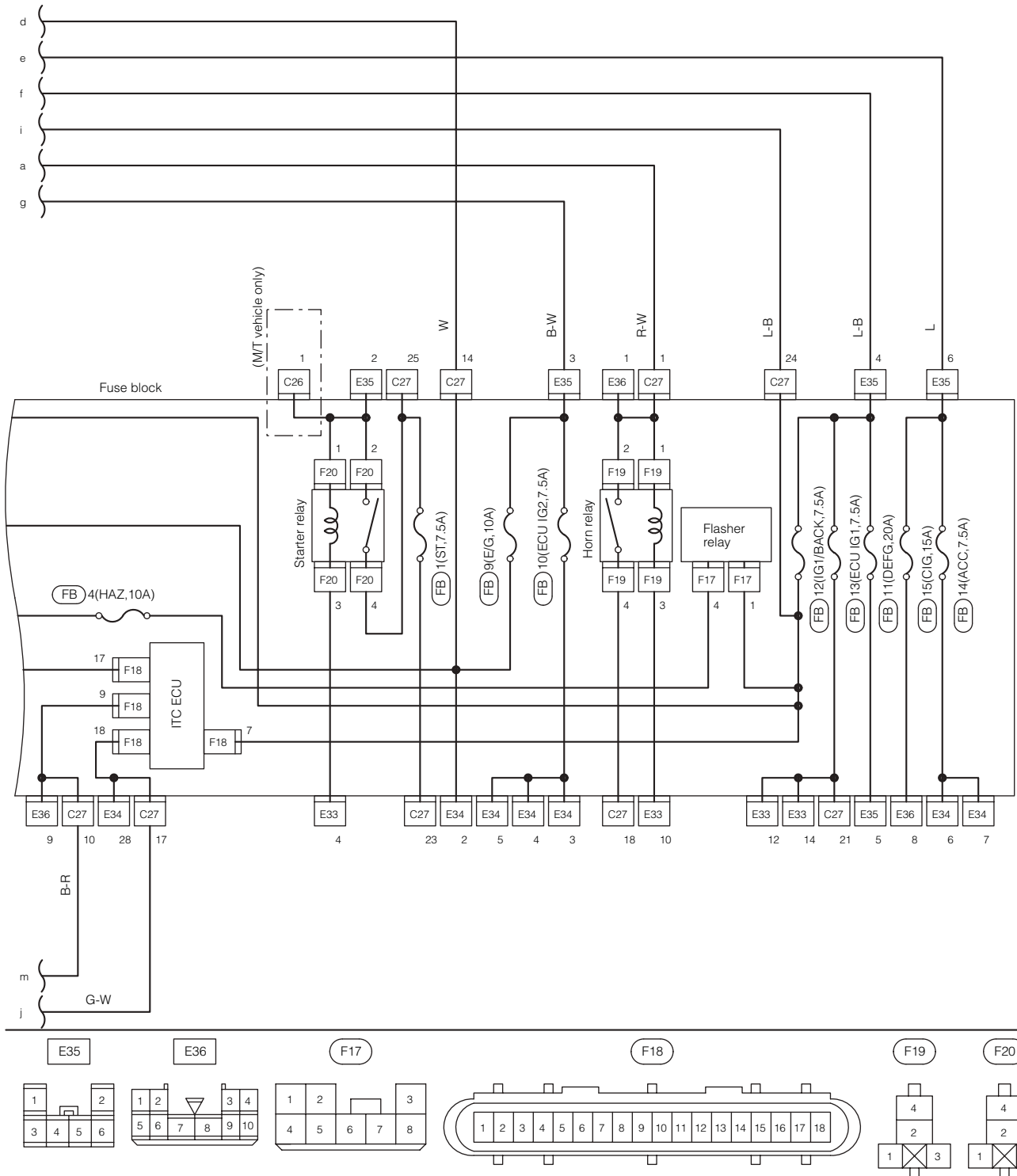
POWER SOURCE -----	D - 1	RHD VEHICLE -----	D - 149
RHD VEHICLE -----	D - 1	LHD VEHICLE-----	D - 153
LHD VEHICLE -----	D - 7	FOG LAMP-----	D - 157
STARTING SYSTEM-----	D - 13	RHD VEHICLE -----	D - 157
RHD VEHICLE -----	D - 13	LHD VEHICLE-----	D - 161
LHD VEHICLE -----	D - 17	HAZARD WARNING & TURN SIGNAL	
CHARGING SYSTEM -----	D - 21	LAMP -----	D - 165
RHD VEHICLE -----	D - 21	RHD VEHICLE -----	D - 165
LHD VEHICLE -----	D - 25	LHD VEHICLE-----	D - 169
ENGINE CONTROL SYSTEM -----	D - 29	STOP LAMP -----	D - 173
RHD VEHICLE(1KR-FE ENGINE)-----	D - 29	RHD VEHICLE -----	D - 173
LHD VEHICLE(1KR-FE ENGINE) -----	D - 35	LHD VEHICLE-----	D - 177
RHD VEHICLE(K3-VE ENGINE)-----	D - 41	TAIL & LICENSE PLATE LAMP -----	D - 181
LHD VEHICLE(K3-VE ENGINE) -----	D - 47	RHD VEHICLE -----	D - 181
RADIATOR FAN-----	D - 53	LHD VEHICLE-----	D - 185
RHD VEHICLE -----	D - 53	BACK UP LAMP-----	D - 189
LHD VEHICLE -----	D - 57	RHD VEHICLE -----	D - 189
ABS-----	D - 61	LHD VEHICLE-----	D - 193
RHD VEHICLE -----	D - 61	FRONT WIPER & WASHER -----	D - 197
LHD VEHICLE -----	D - 65	RHD VEHICLE -----	D - 197
A/T CONTROL-----	D - 69	LHD VEHICLE-----	D - 201
RHD VEHICLE -----	D - 69	REAR WIPER & WASHER -----	D - 201
LHD VEHICLE -----	D - 73	RHD VEHICLE(WITH INT SYSTEM) D - 205	
ELECTRIC POWER STEERING -----	D - 77	RHD VEHICLE(WITHOUT INT	
RHD VEHICLE -----	D - 77	SYSTEM) -----	D - 209
LHD VEHICLE -----	D - 81	LHD VEHICLE(WITH INT SYSTEM)-	D - 213
SRS AIRBAG SYSTEM -----	D - 85	LHD VEHICLE(WITHOUT INT	
RHD VEHICLE -----	D - 85	SYSTEM) -----	D - 217
LHD VEHICLE -----	D - 89	RADIO-----	D - 221
DOME LAMP -----	D - 93	RHD VEHICLE -----	D - 221
RHD VEHICLE -----	D - 93	LHD VEHICLE-----	D - 225
LHD VEHICLE -----	D - 97	HORN -----	D - 229
POWER DOOR LOCK,KEY-LESS		RHD VEHICLE -----	D - 229
ENTRY SYSTEM-----	D - 101	LHD VEHICLE-----	D - 233
RHD VEHICLE -----	D - 101	CIGARETTE LIGHTER,POWER	
LHD VEHICLE-----	D - 105	OUTLET -----	D - 237
IMMOBILIZER SYSTEM -----	D - 109	RHD VEHICLE -----	D - 237
RHD VEHICLE -----	D - 109	LHD VEHICLE-----	D - 239
LHD VEHICLE -----	D - 113	HEATER & AIR CONDITIONER -----	D - 241
OUTER REAR-VIEW MIRROR-----	D - 117	RHD VEHICLE -----	D - 241
RHD VEHICLE -----	D - 117	LHD VEHICLE-----	D - 245
LHD VEHICLE-----	D - 121	DATA LINK CONNECTOR-----	D - 249
REAR WINDOW DEFOGGER-----	D - 125	RHD VEHICLE -----	D - 249
RHD VEHICLE -----	D - 125	LHD VEHICLE -----	D - 253
LHD VEHICLE-----	D - 129		
POWER WINDOW-----	D - 133		
RHD VEHICLE -----	D - 133		
LHD VEHICLE-----	D - 137		
METER-----	D - 141		
RHD VEHICLE -----	D - 141		
LHD VEHICLE-----	D - 145		
HEAD LAMP-----	D - 149		

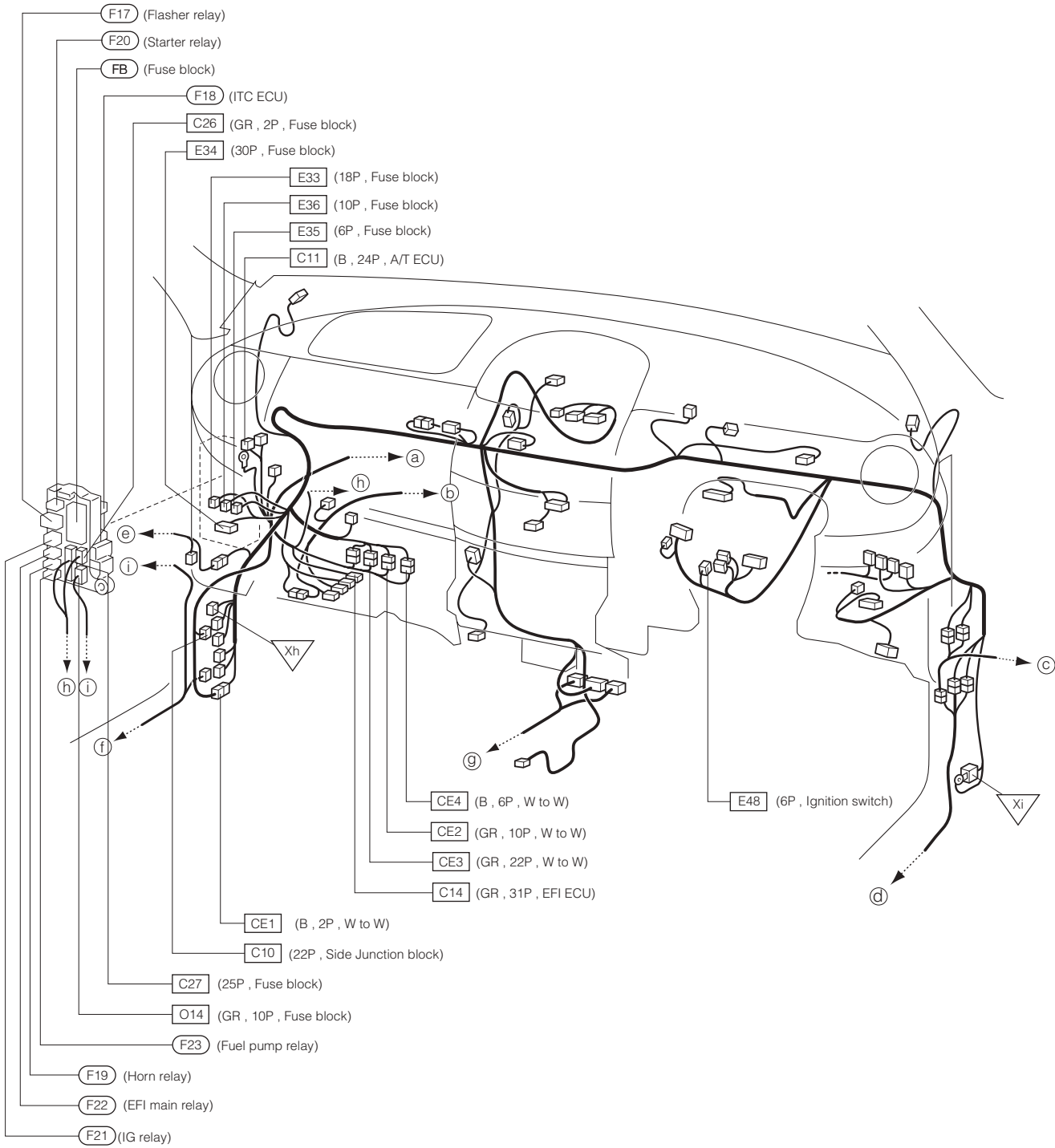
## 1 POWER SOURCE 1-1 RHD VEHICLE

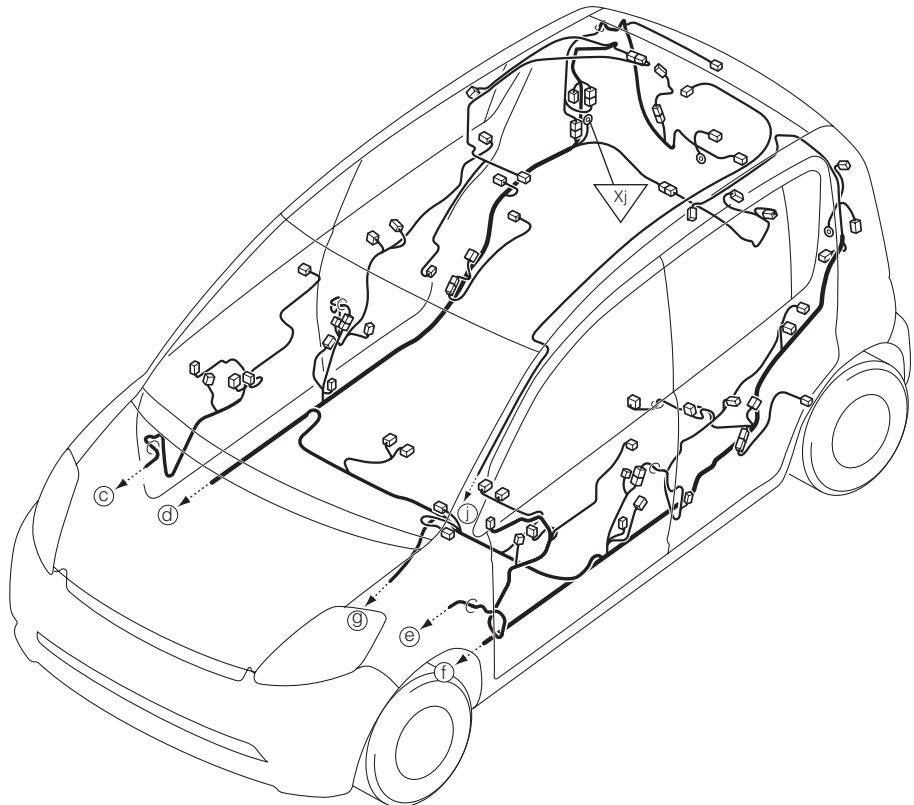
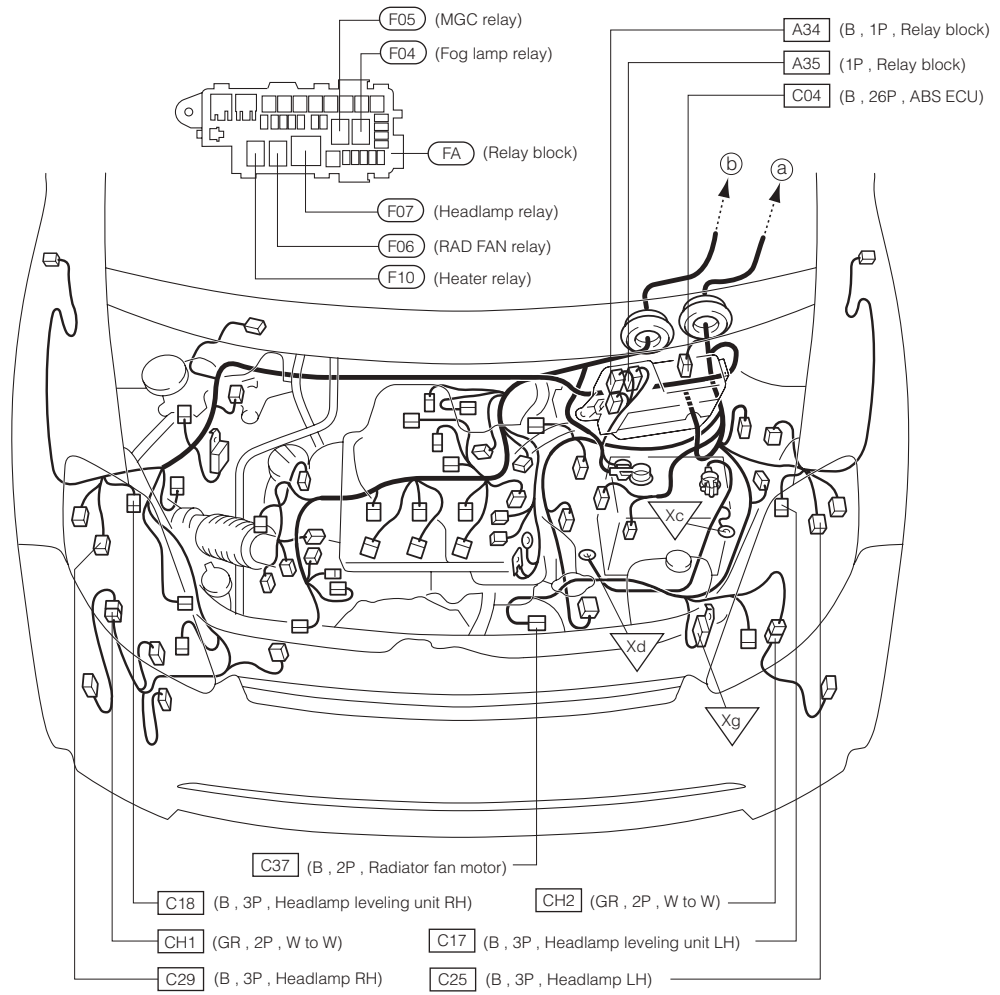






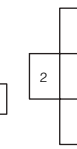
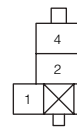
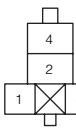
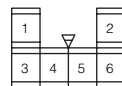
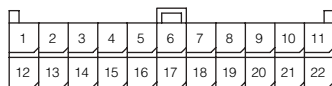
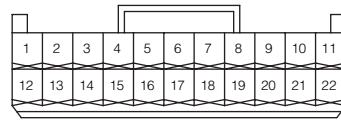
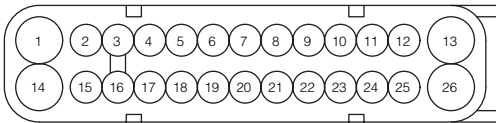
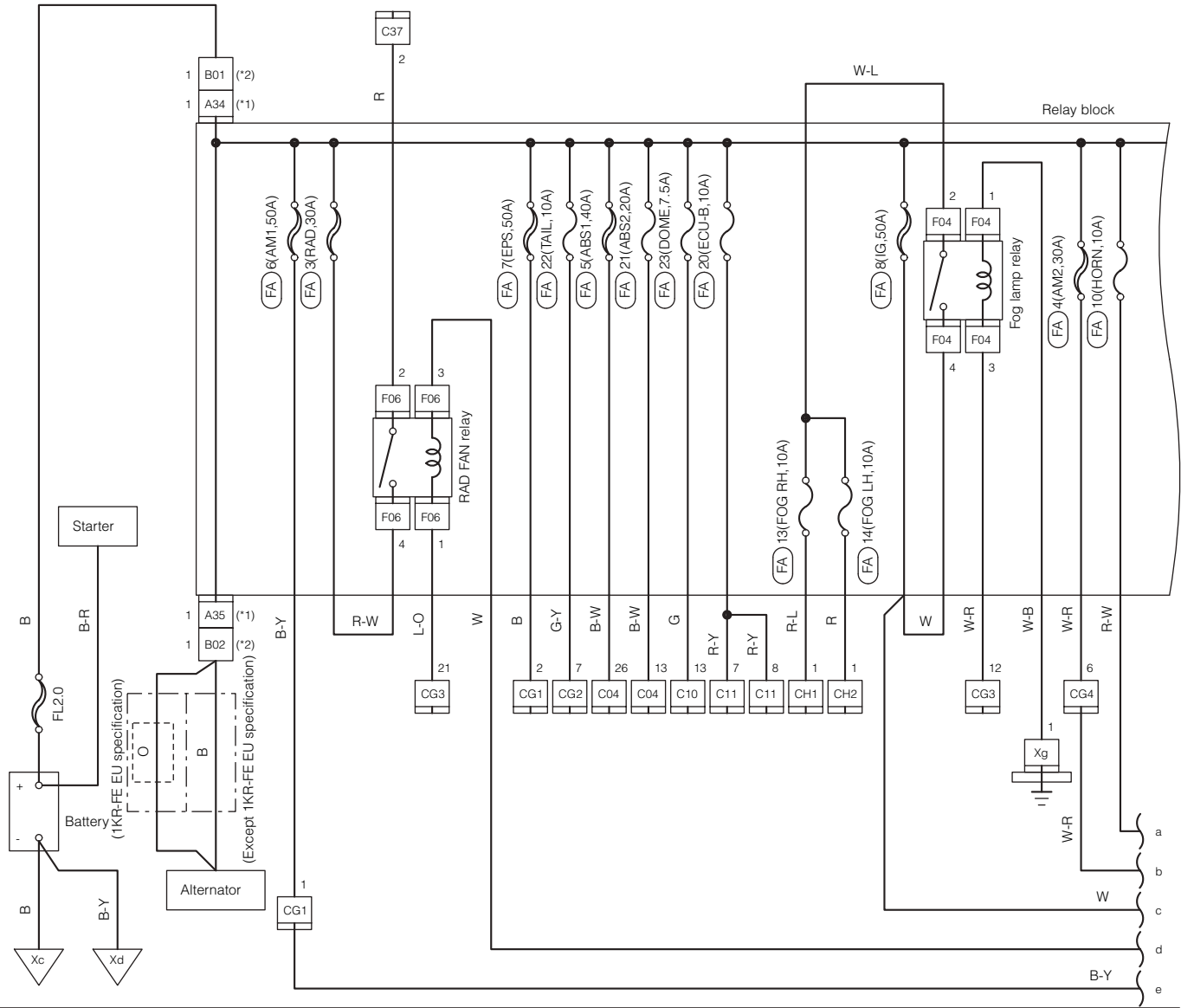




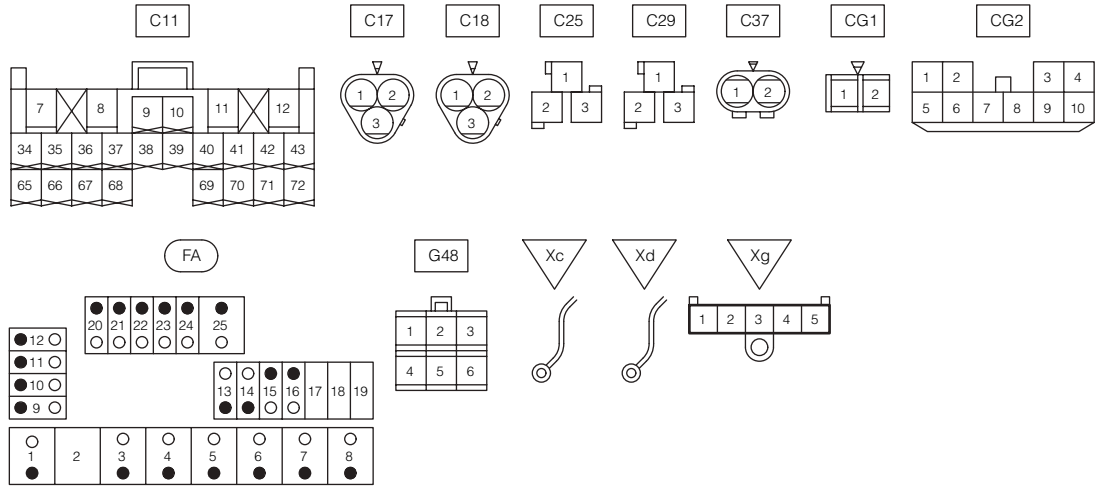
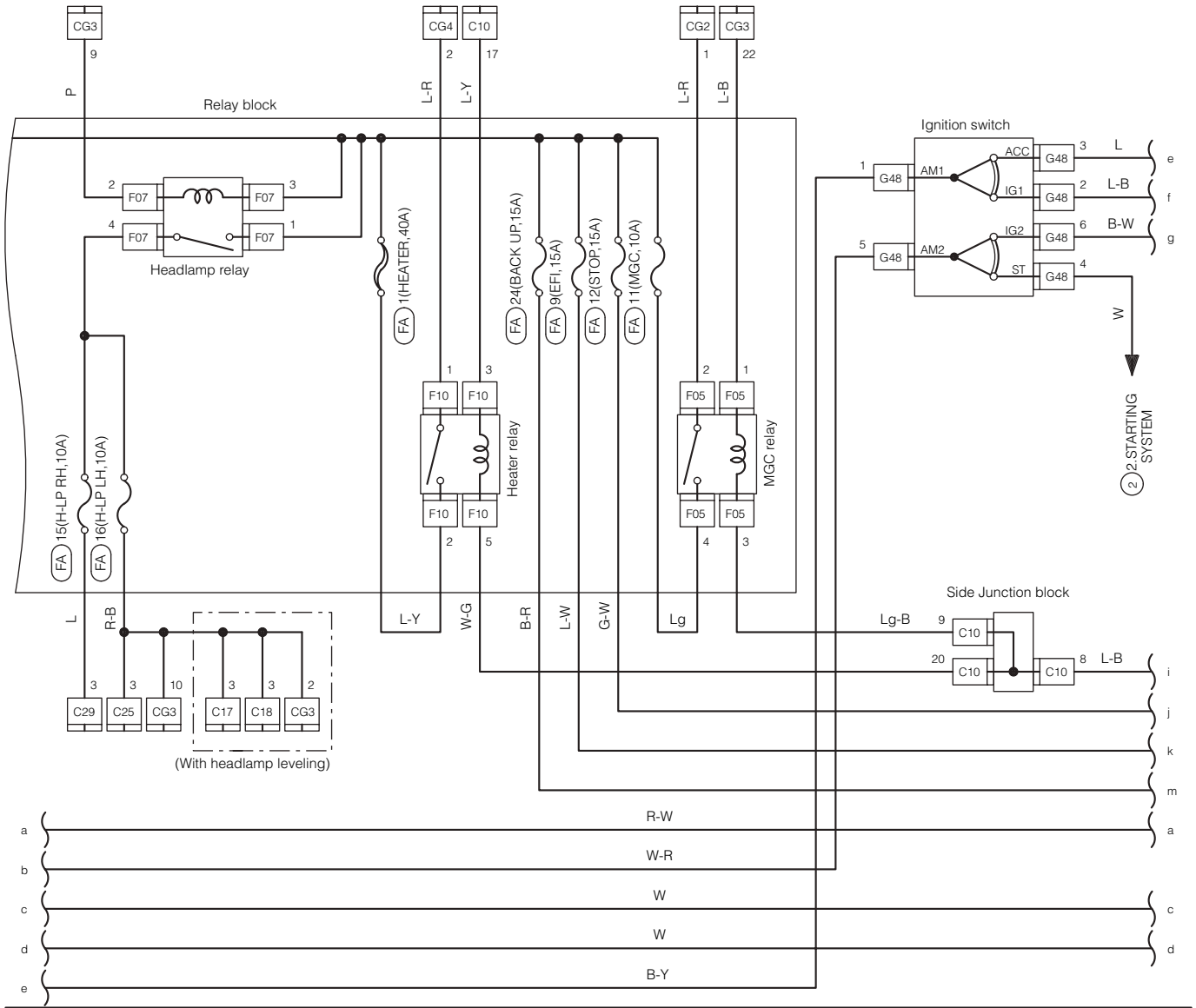


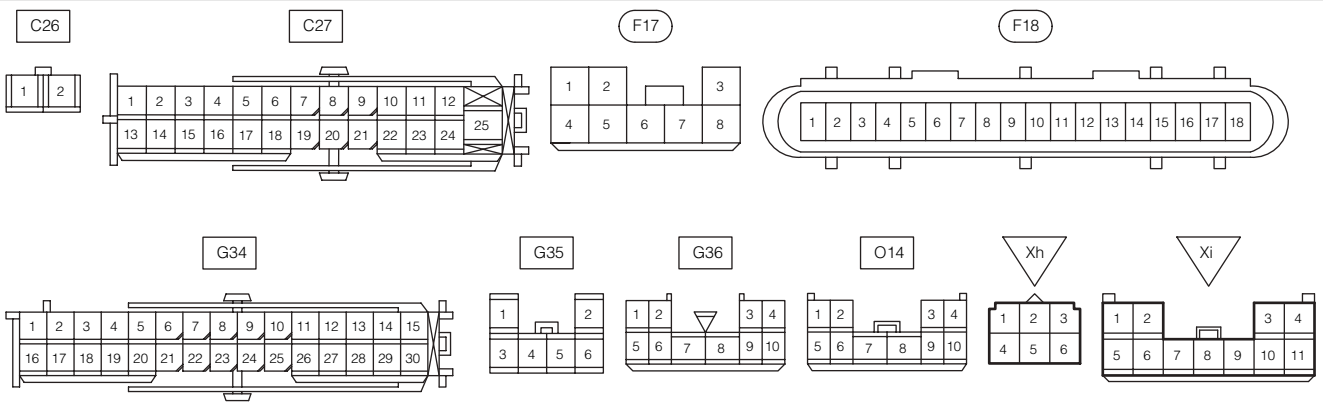
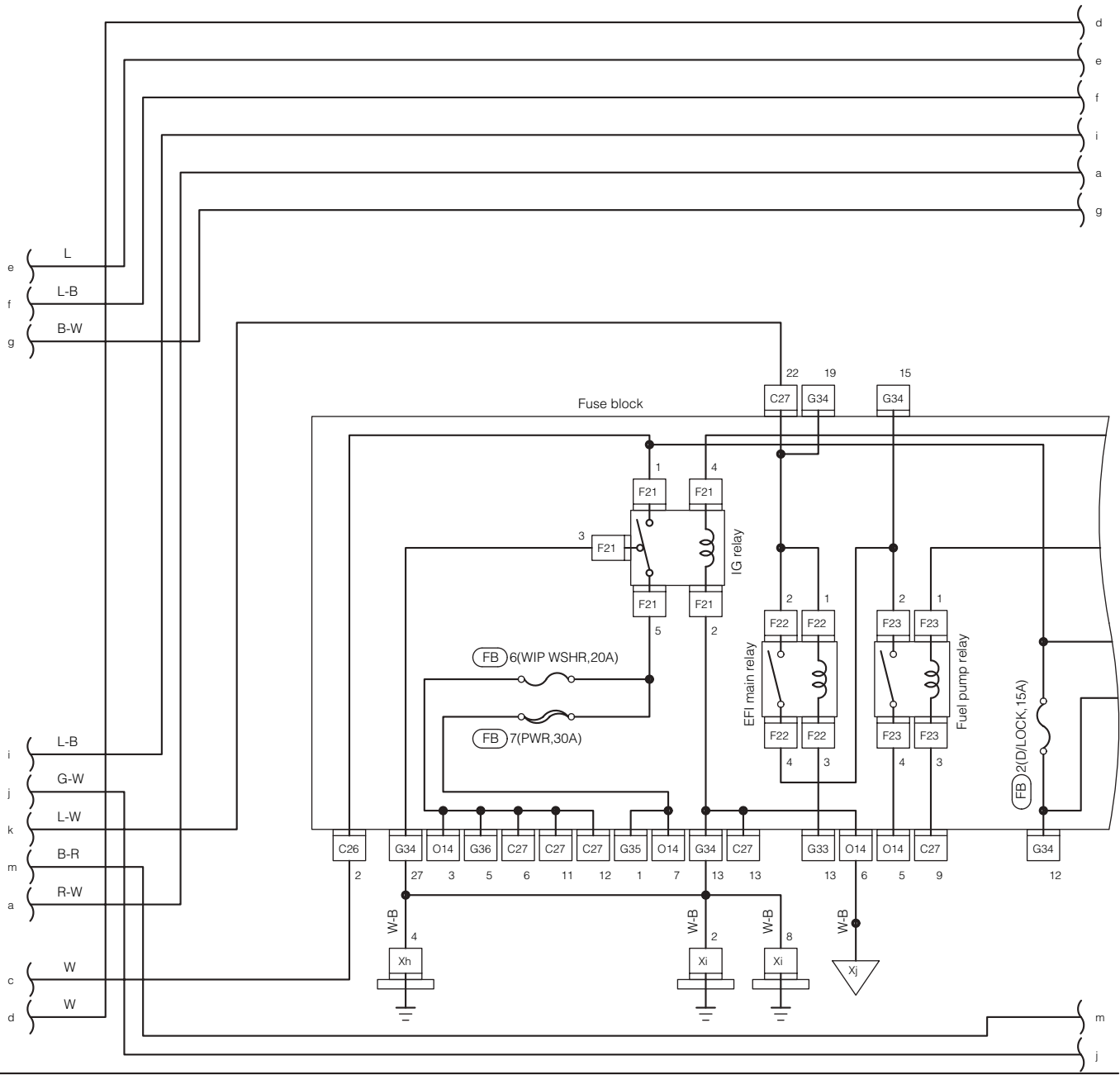
## 1-2 LHD VEHICLE

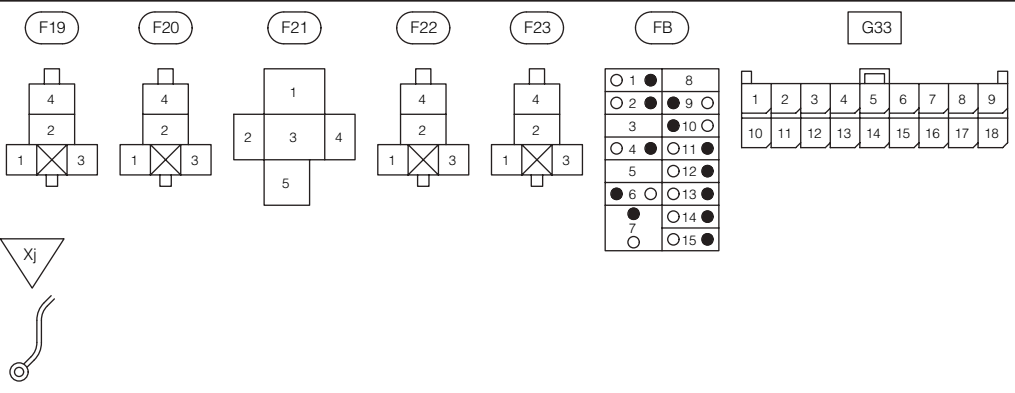
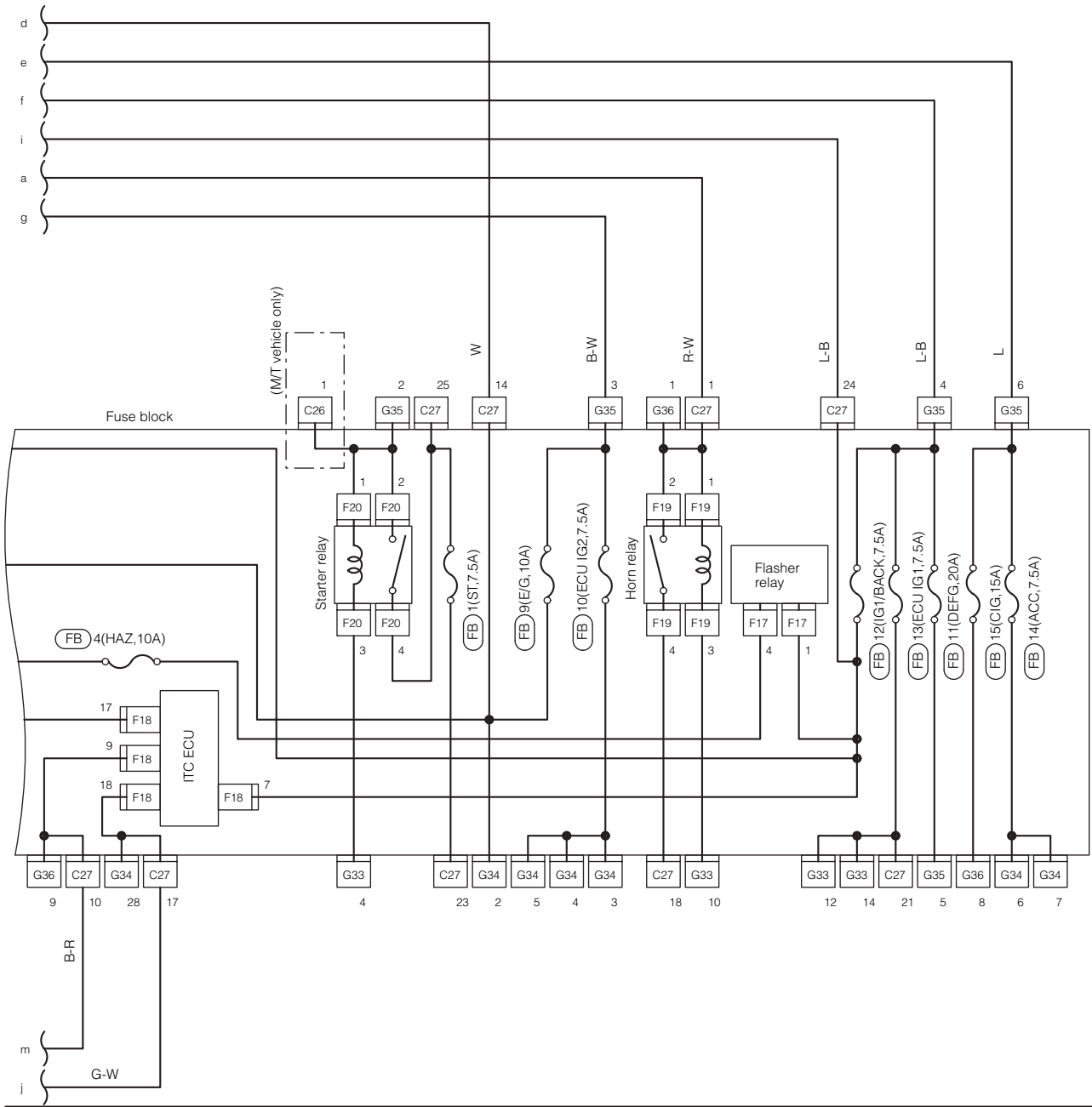
\*1:1KR-FE  
\*2:K3-VE

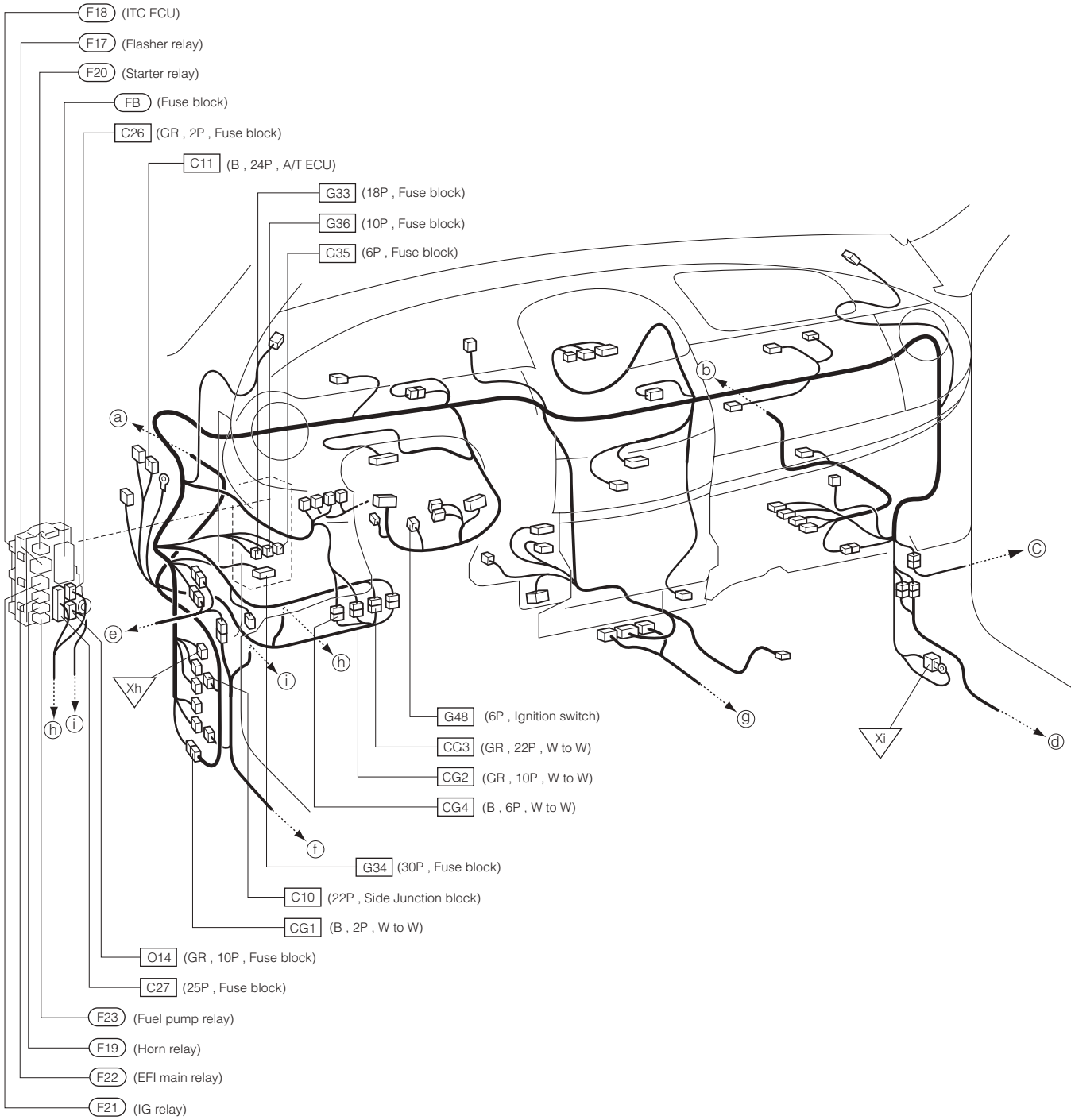


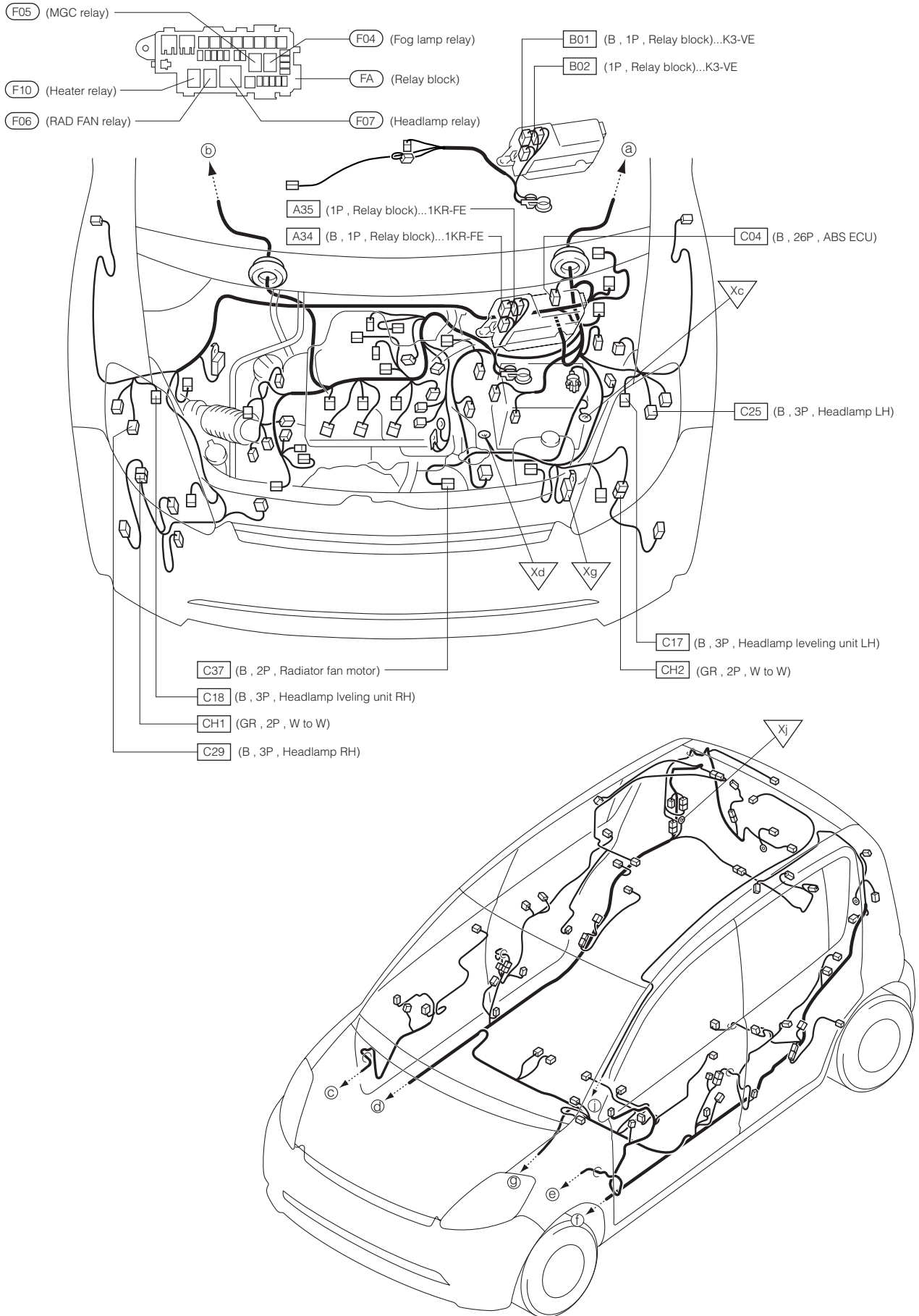




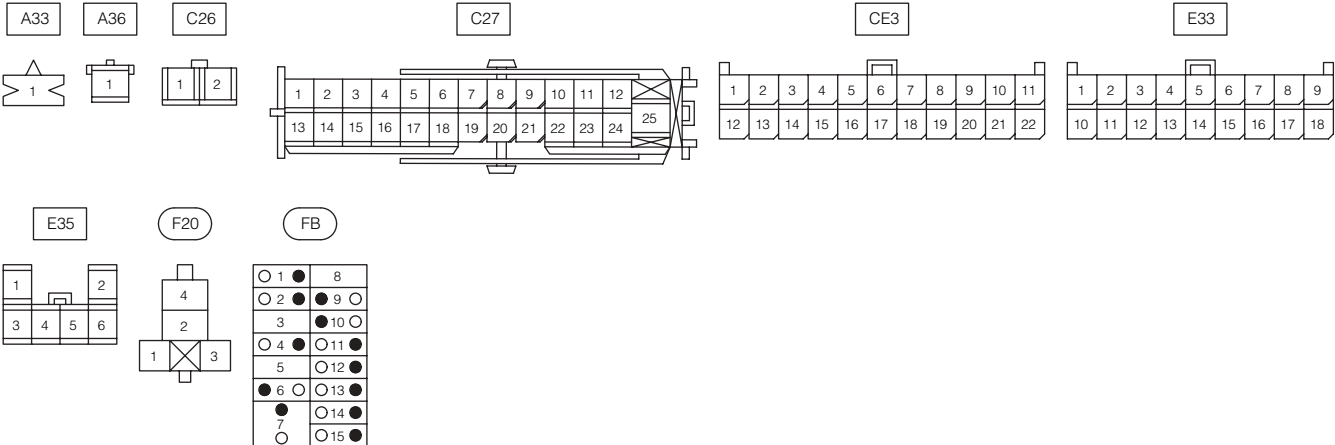
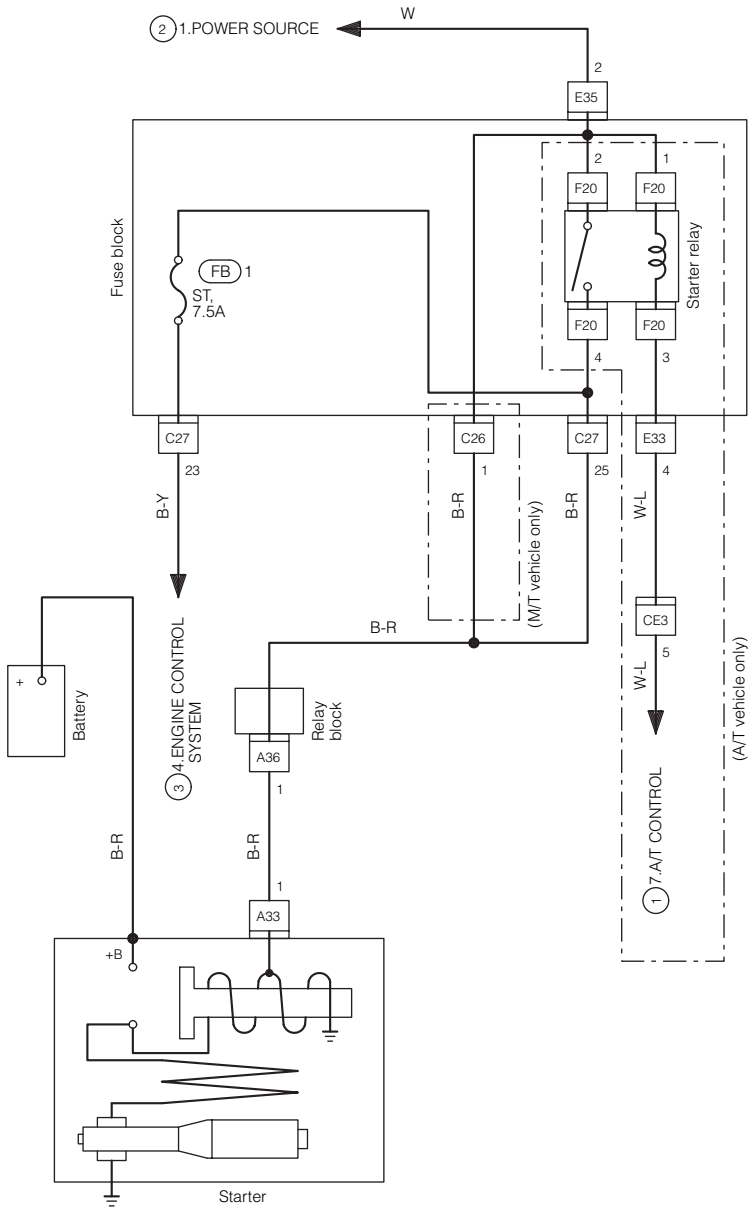




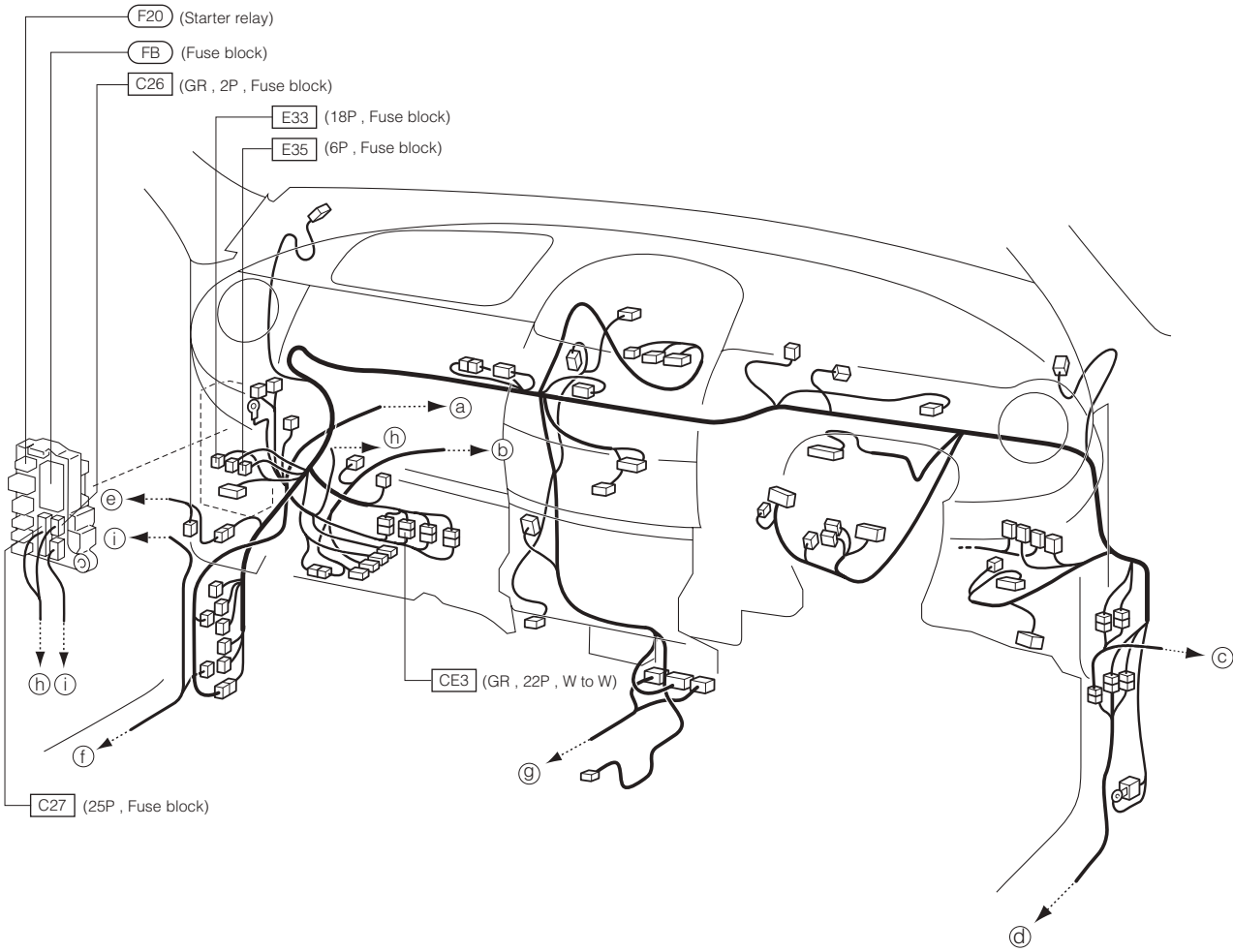




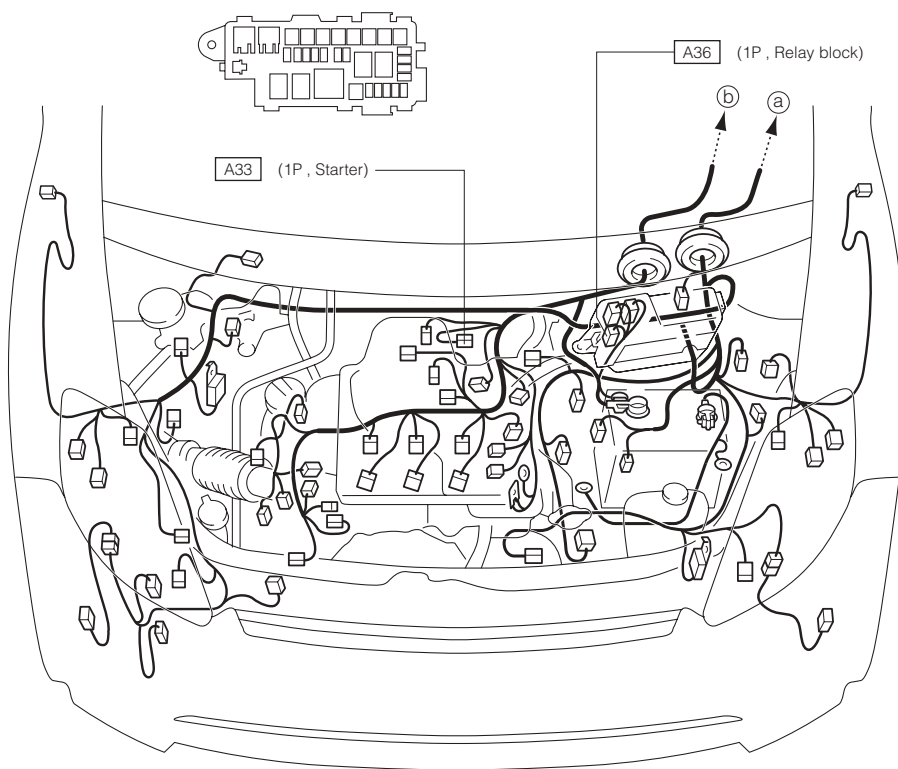
## 2 STARTING SYSTEM 2-1 RHD VEHICLE



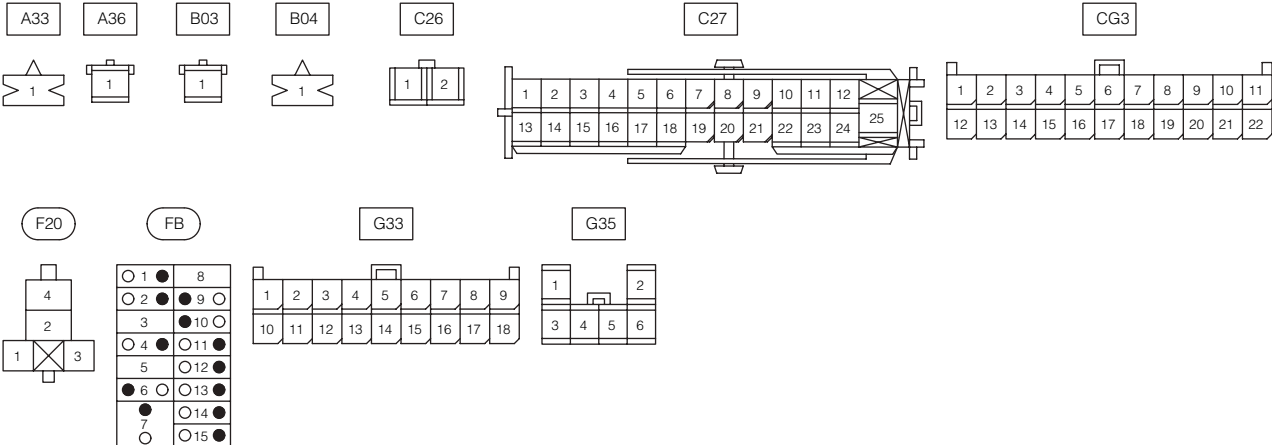
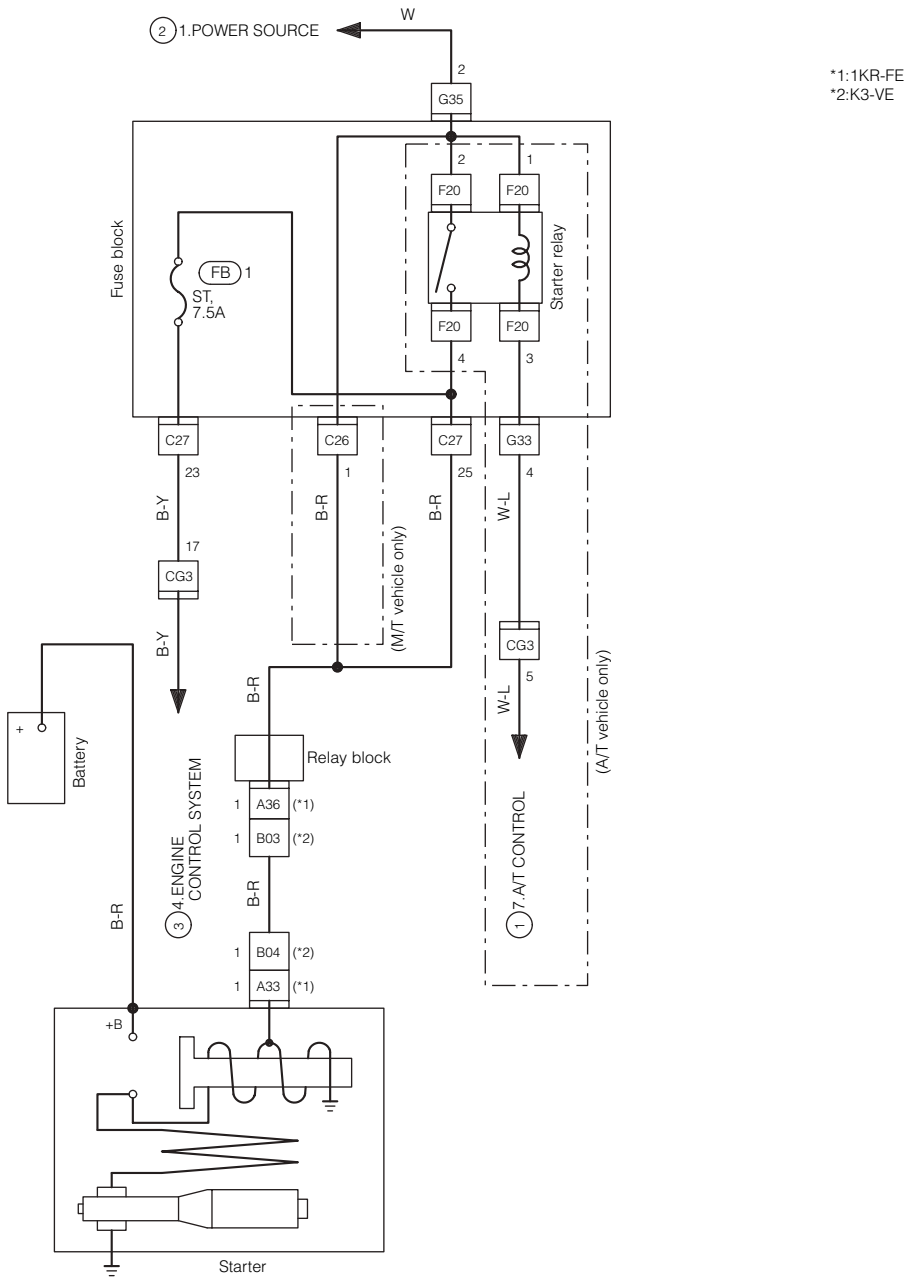
(MEMO)



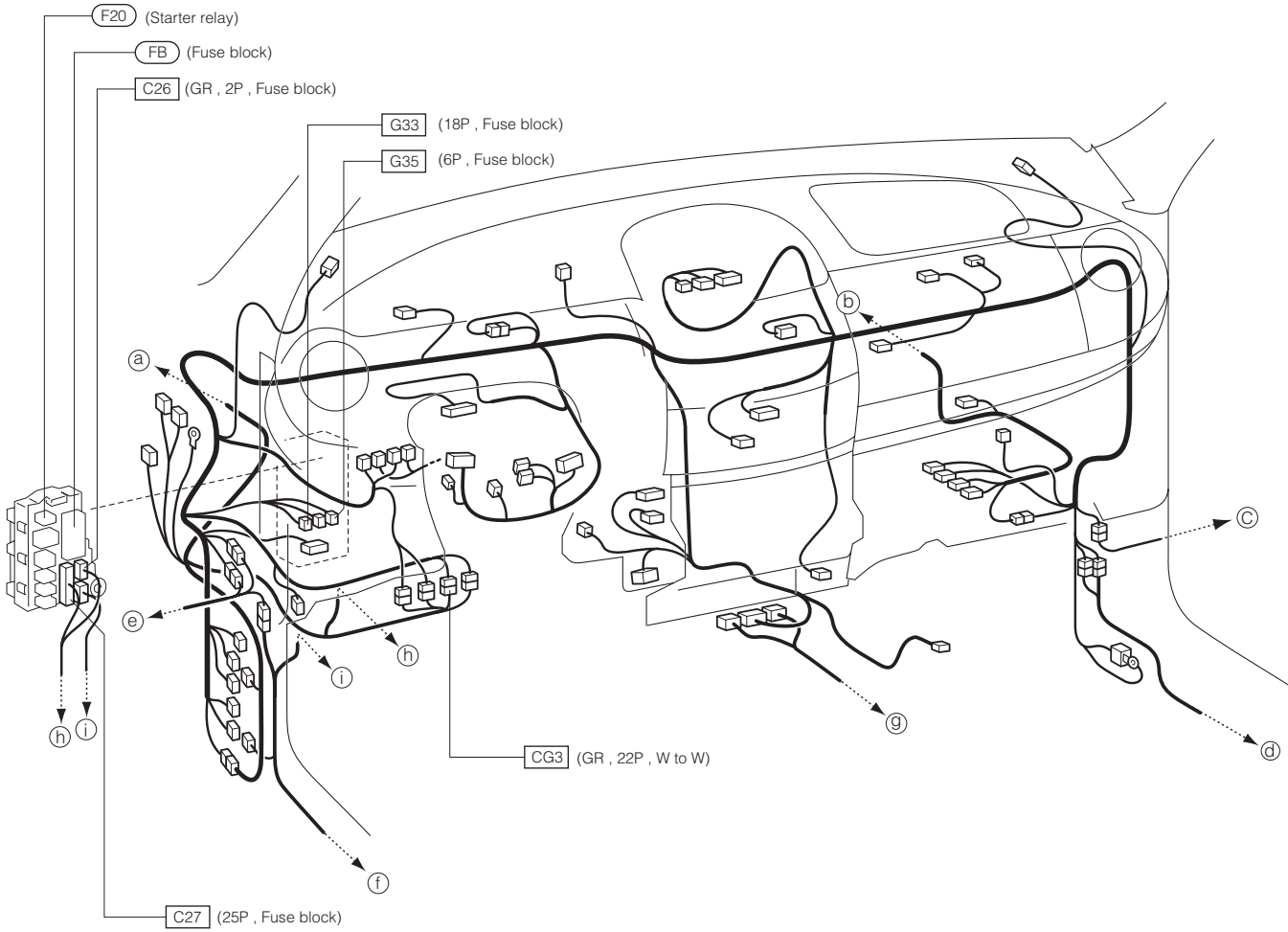


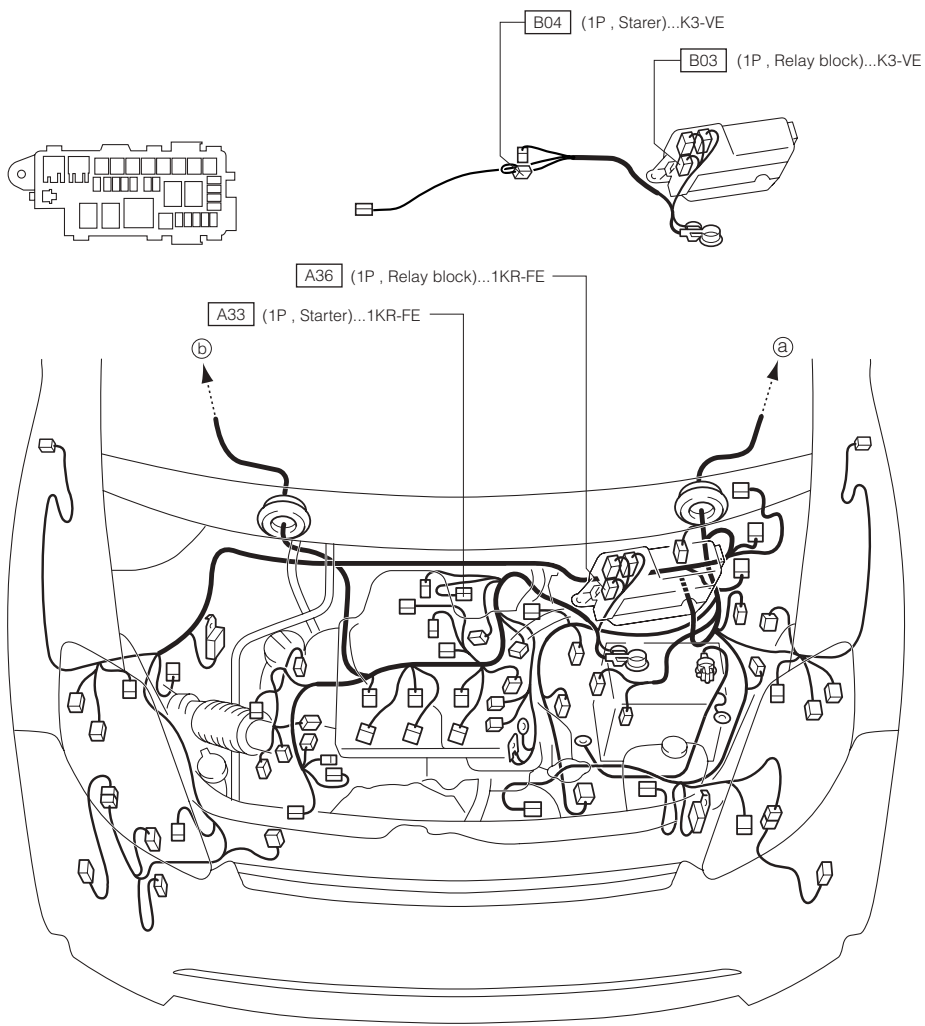


## 2-2 LHD VEHICLE

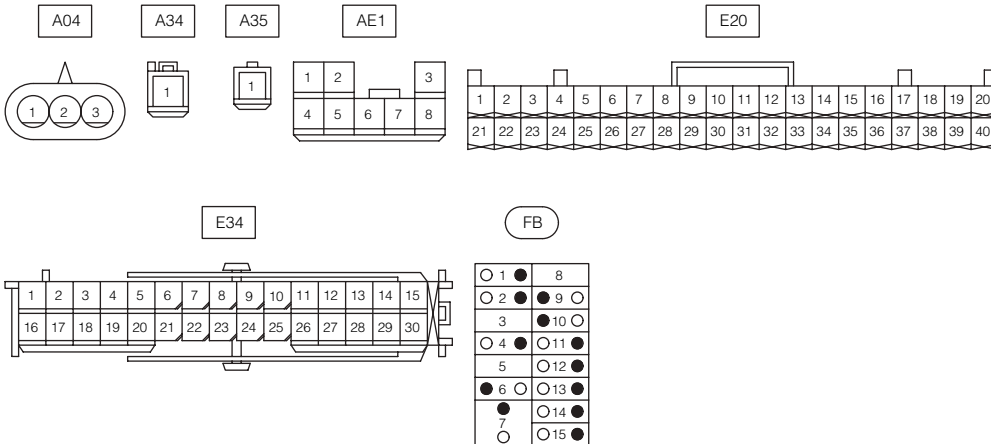
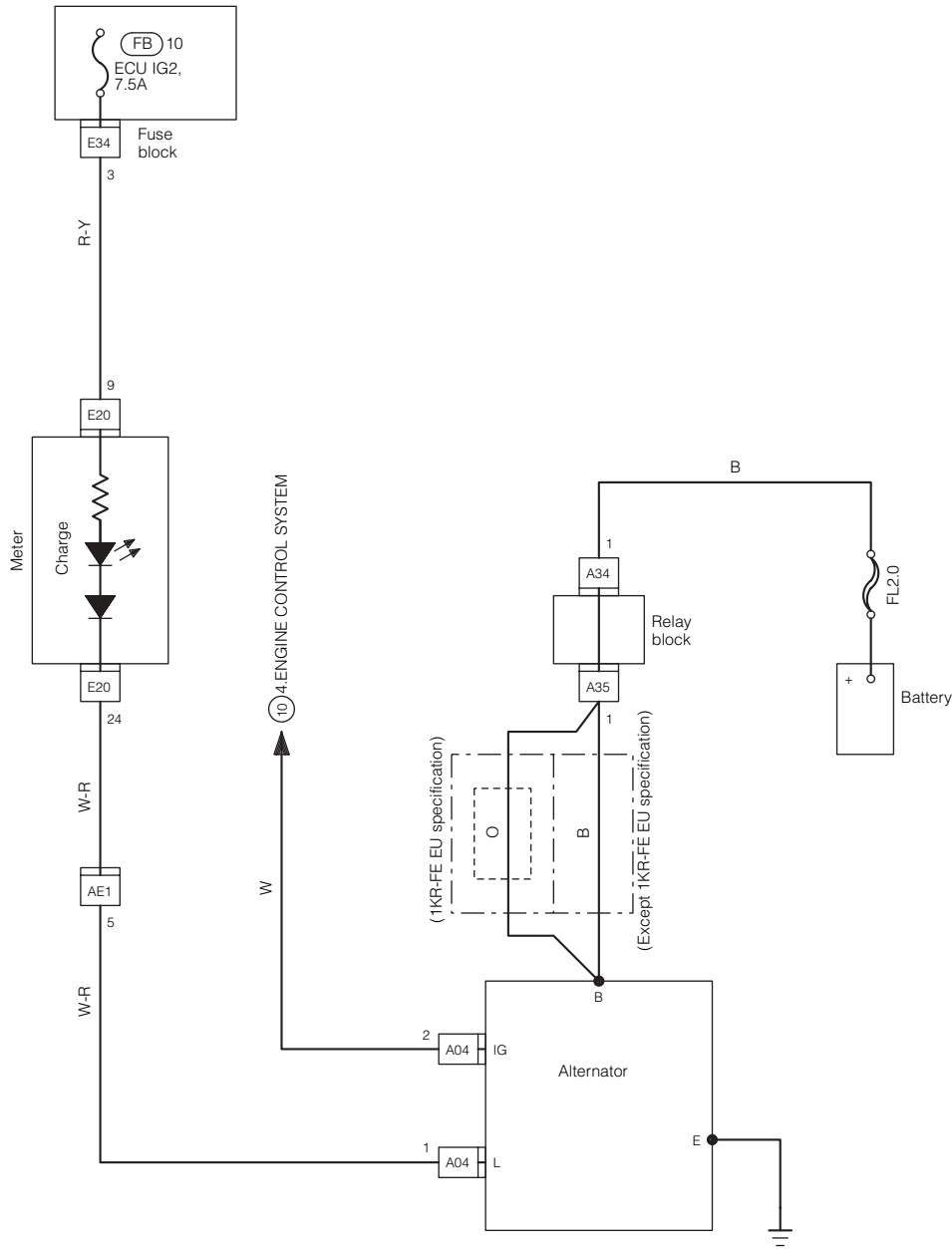


(MEMO)

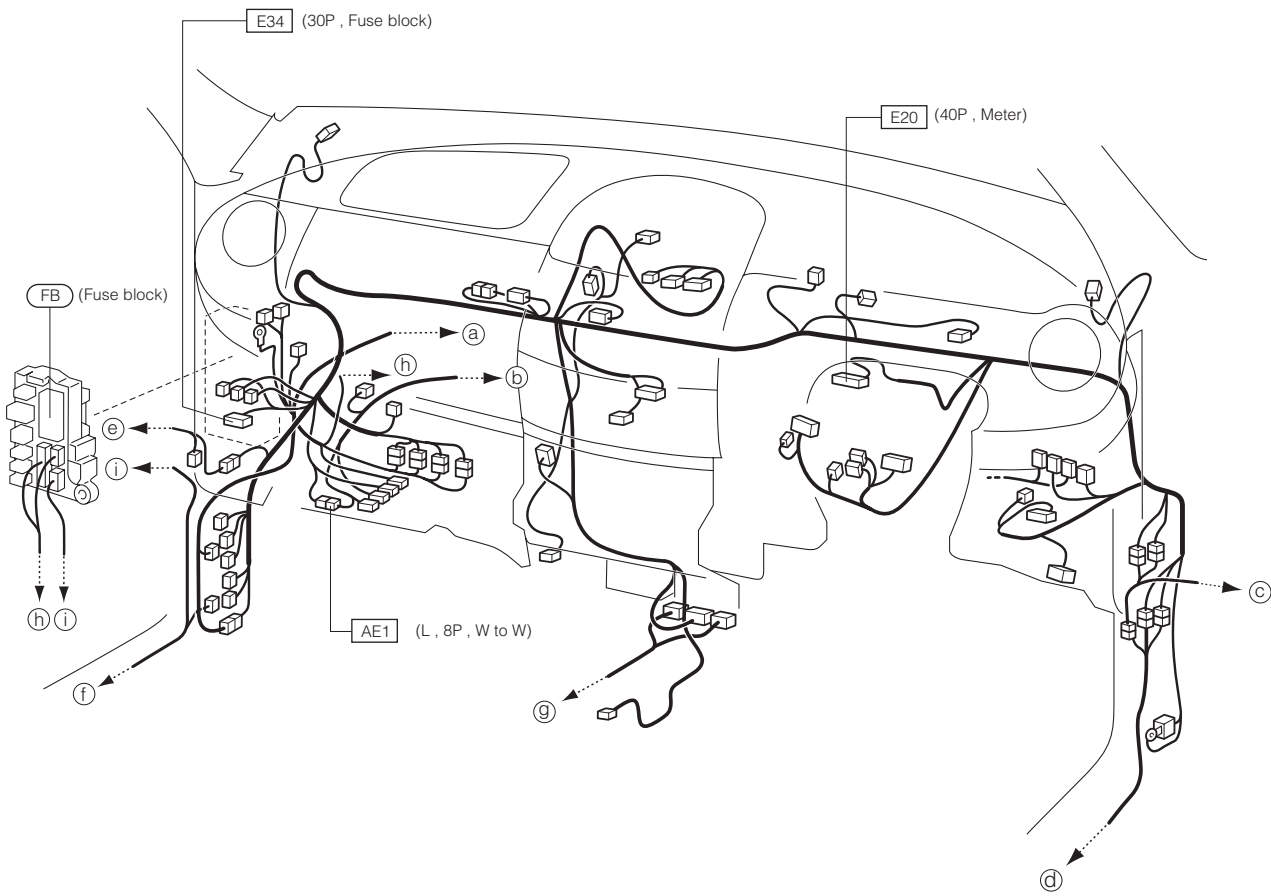




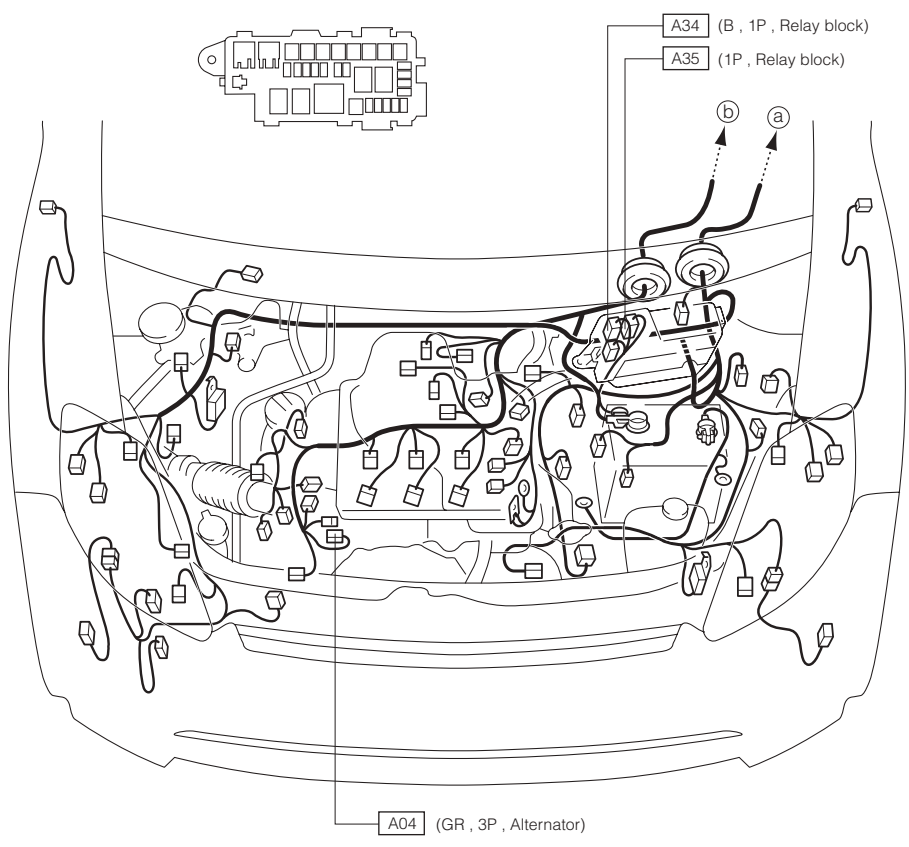
## 3 CHARGING SYSTEM 3-1 RHD VEHICLE



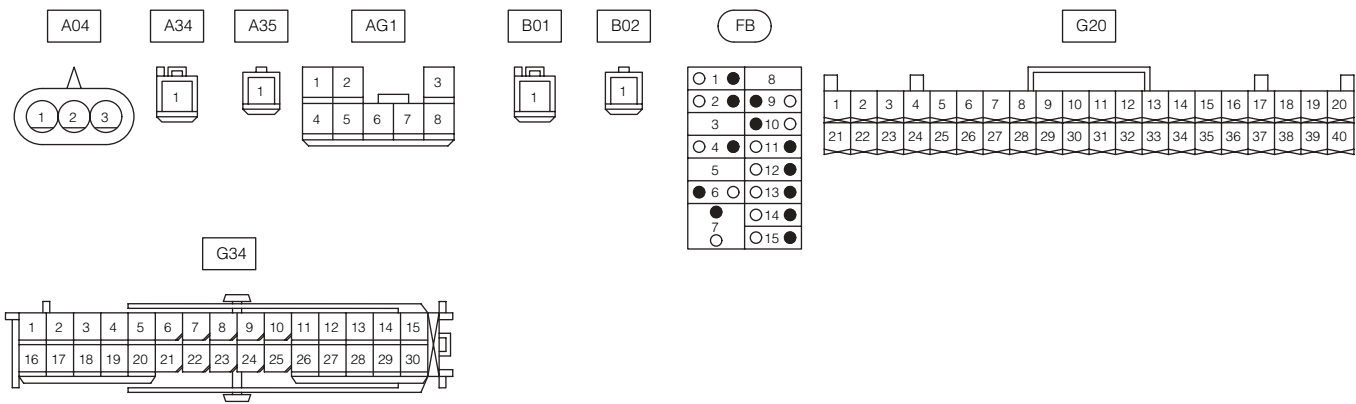
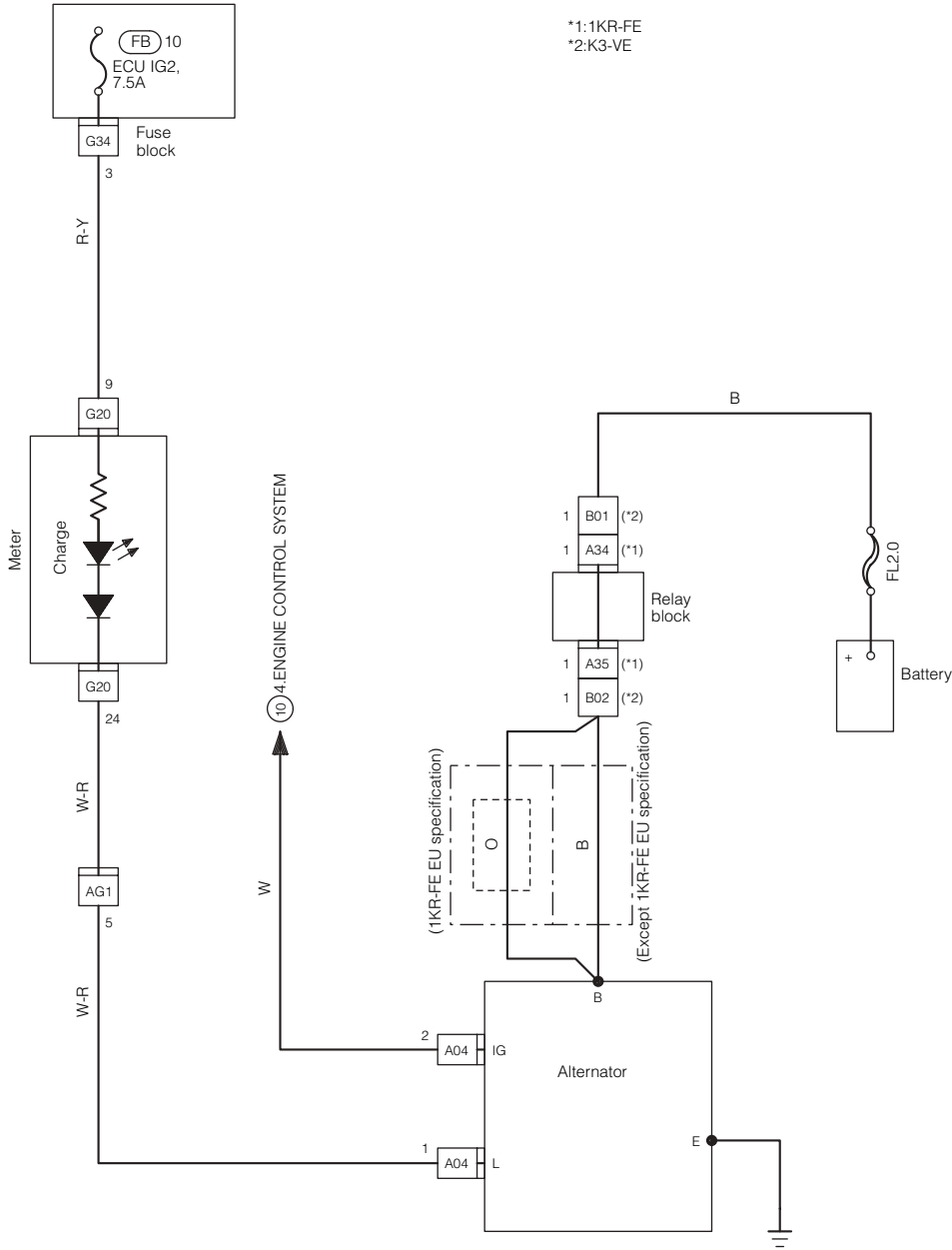
(MEMO)



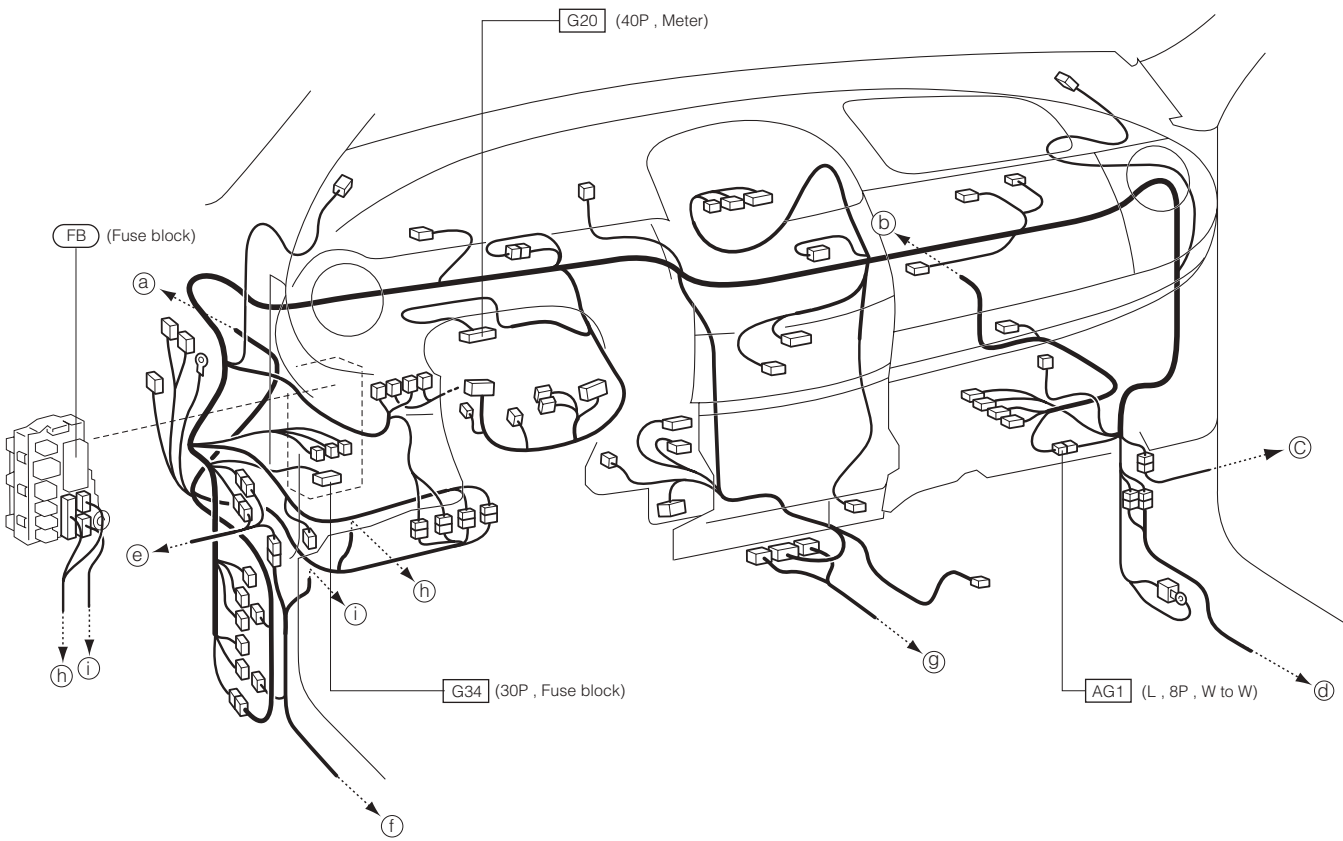


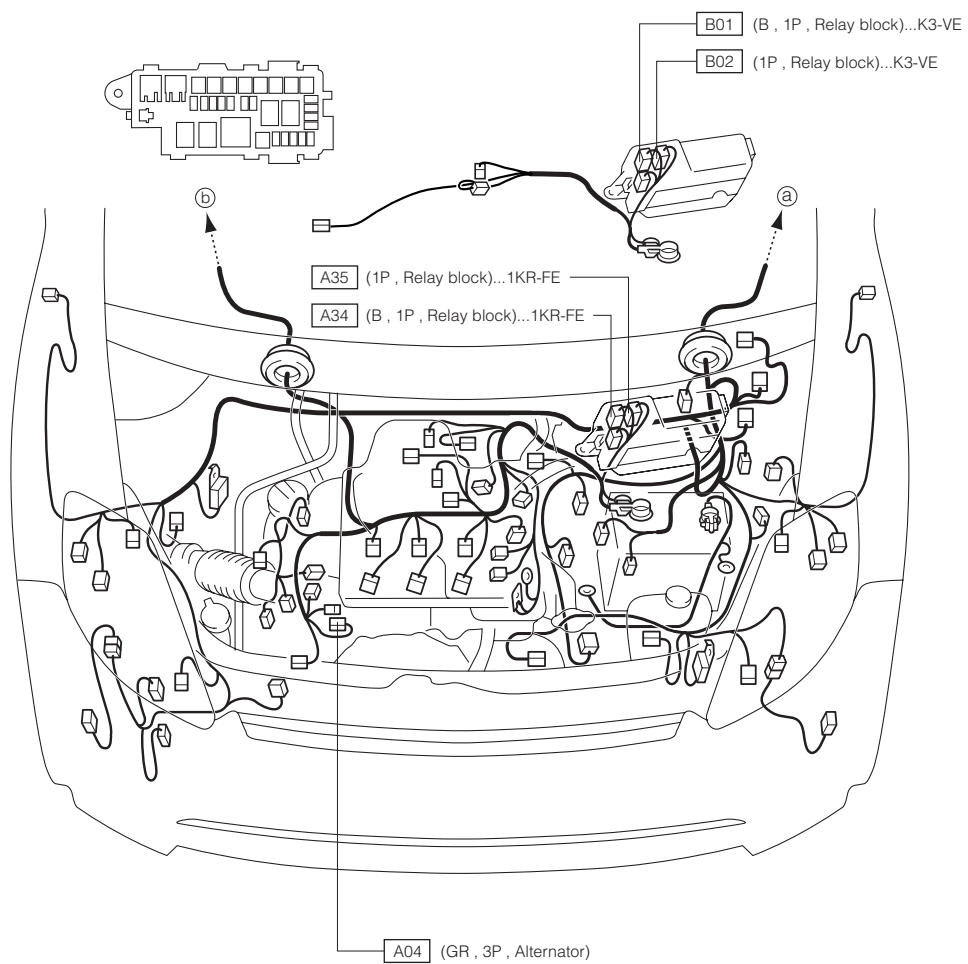


## 3-2 LHD VEHICLE

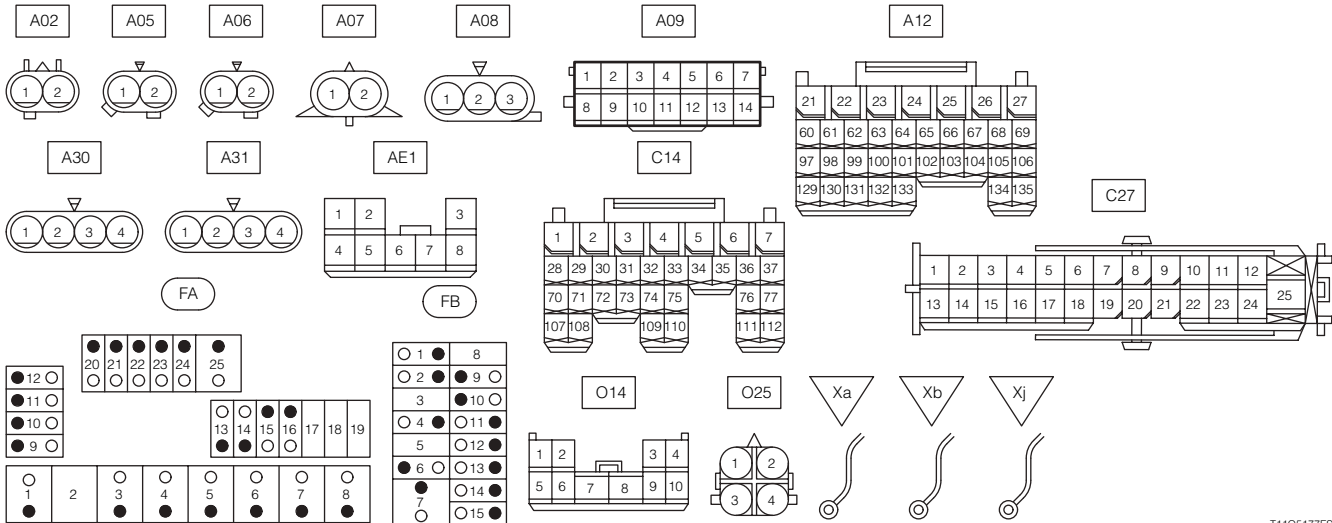
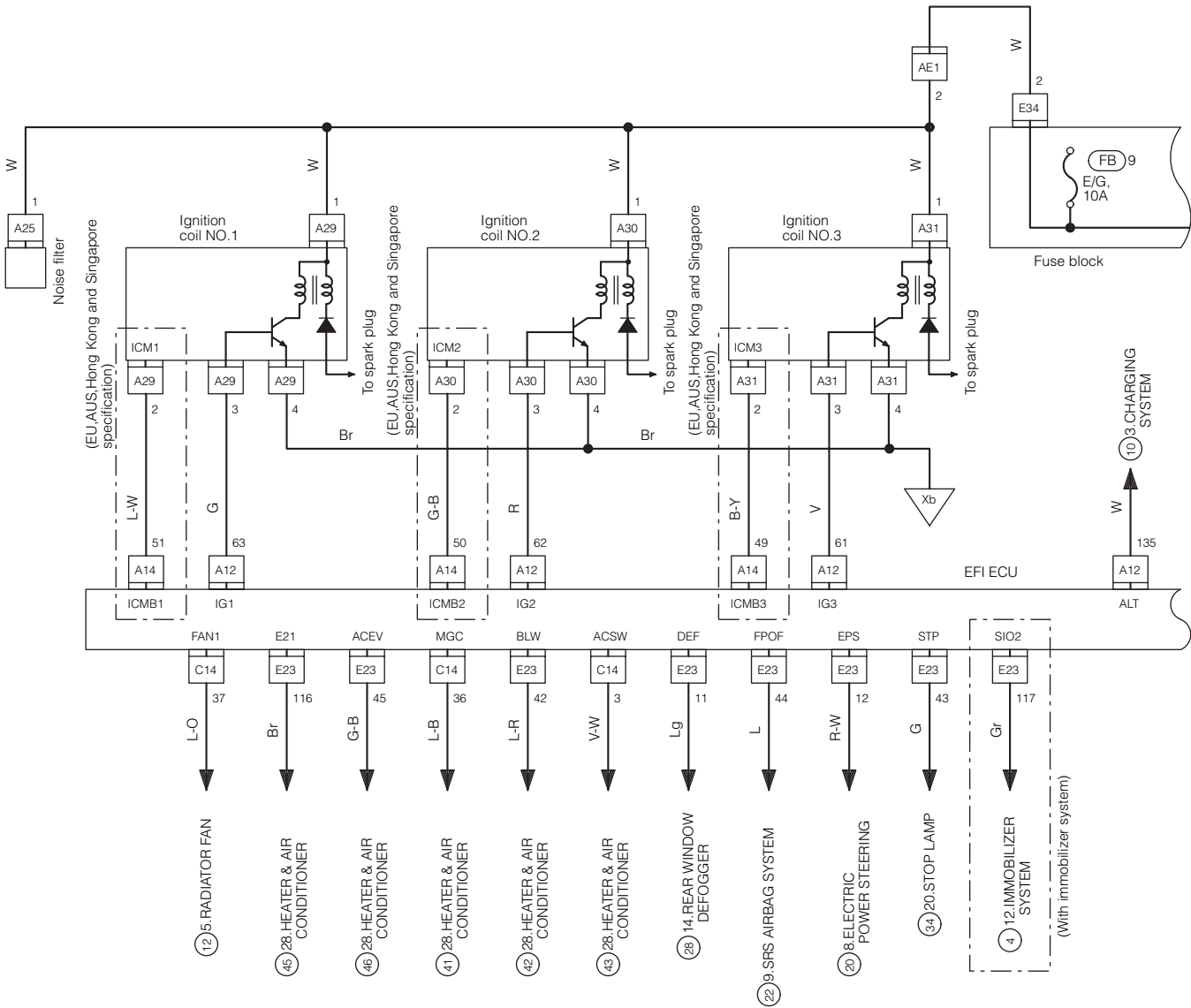


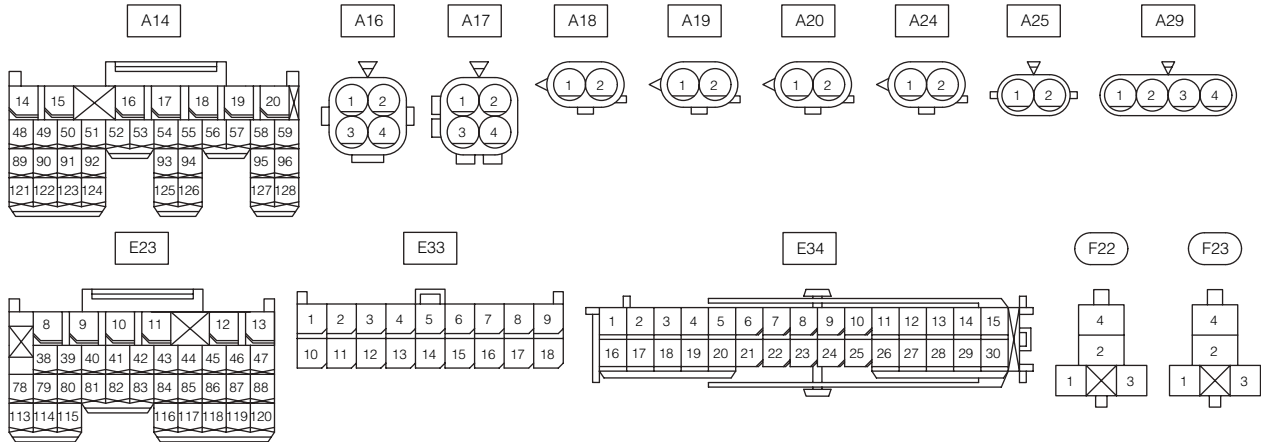
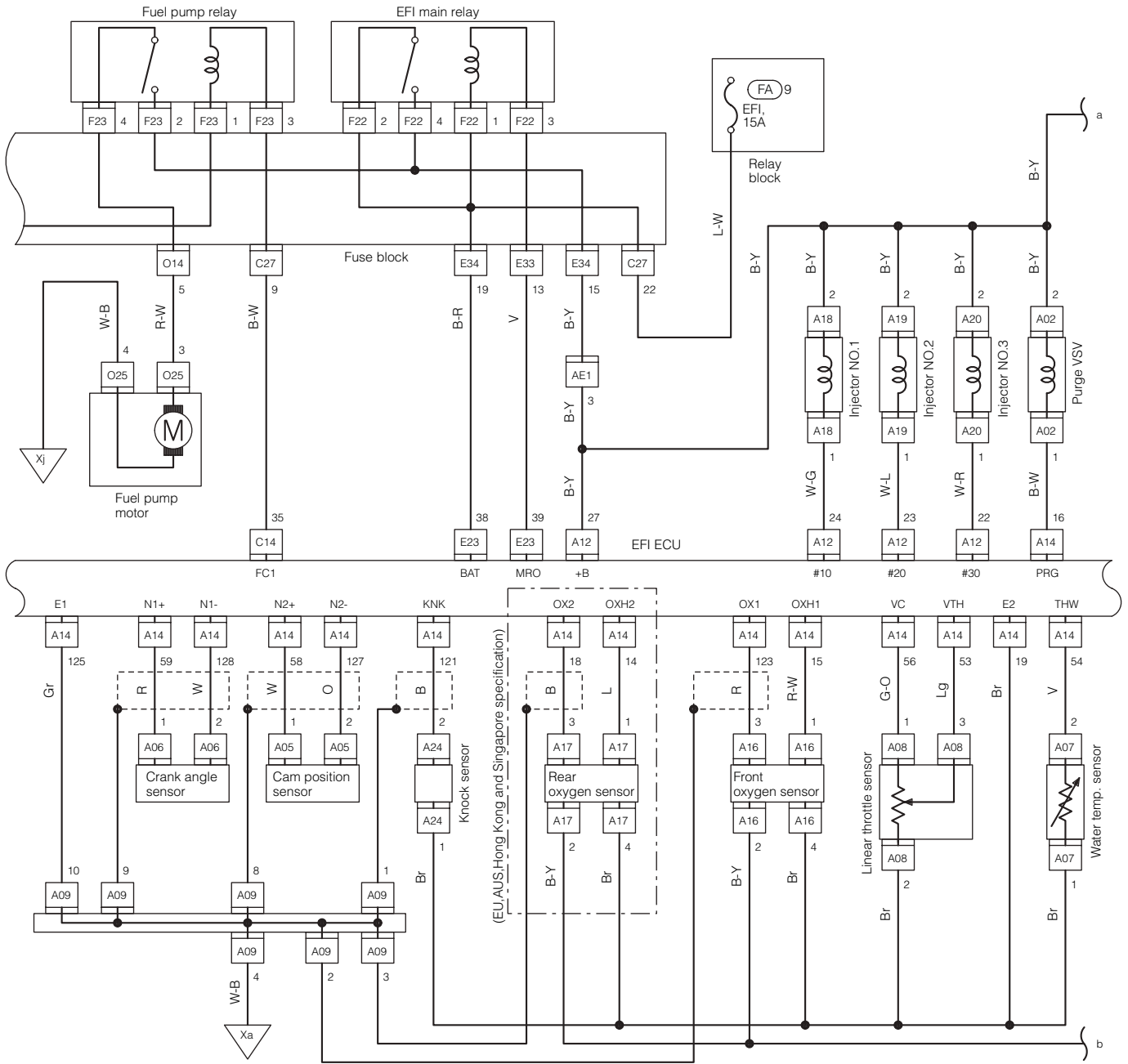
(MEMO)

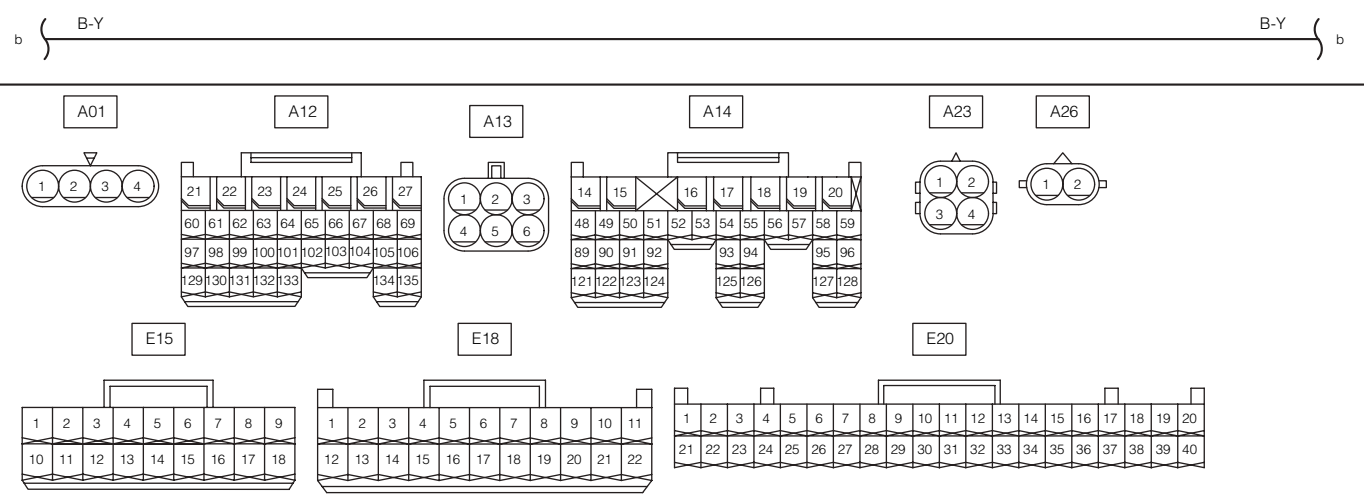
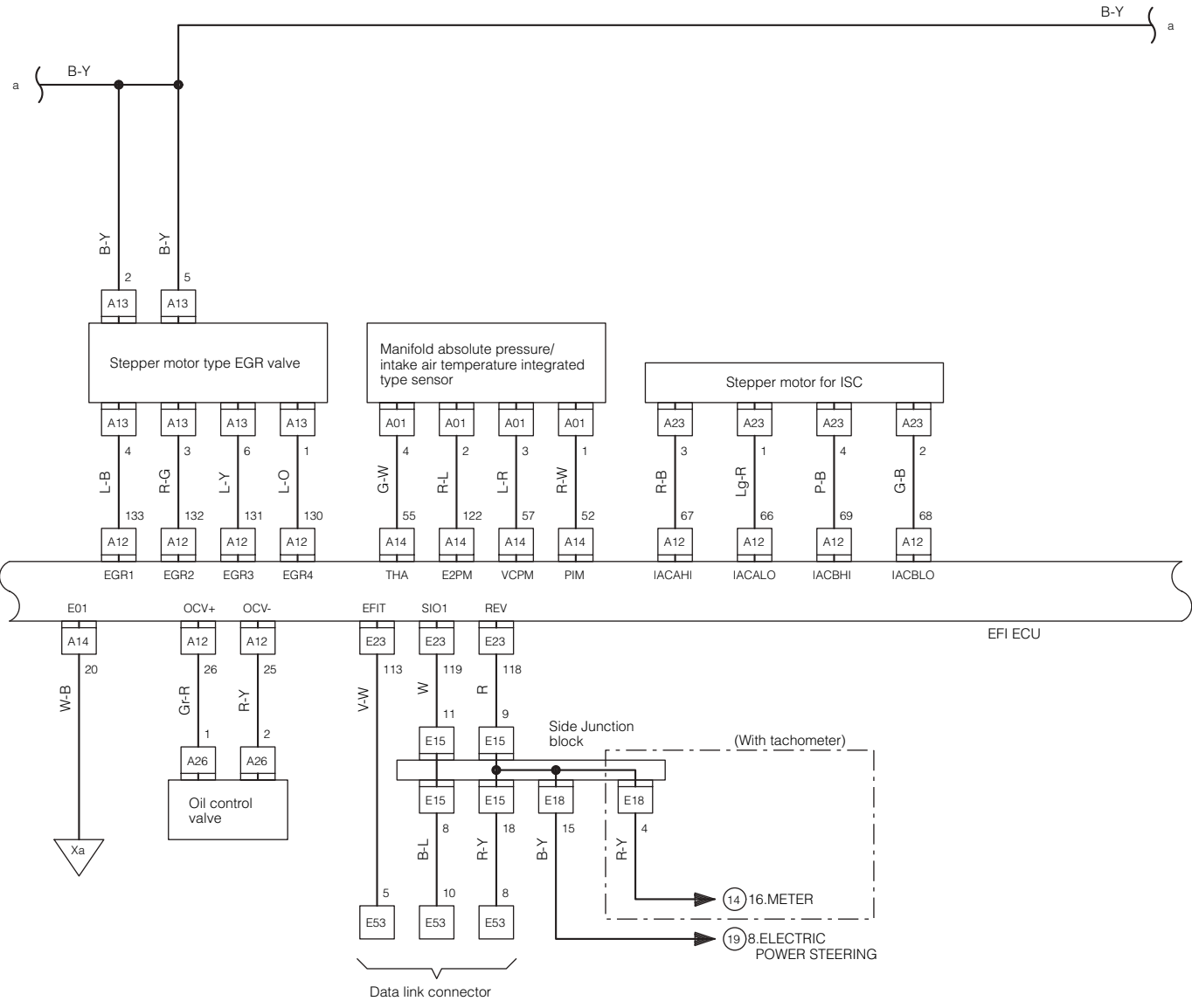




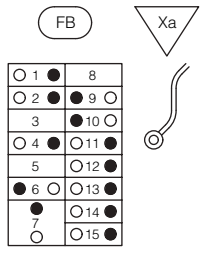
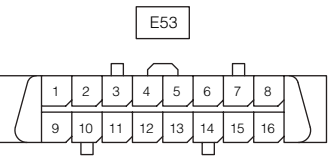
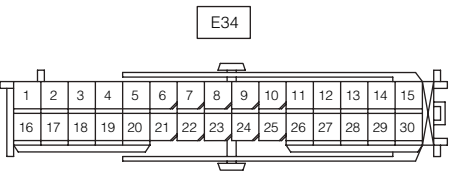
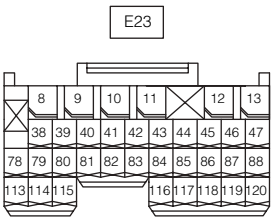
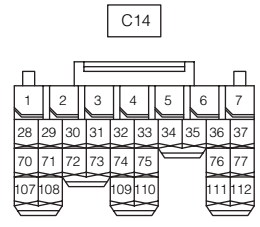
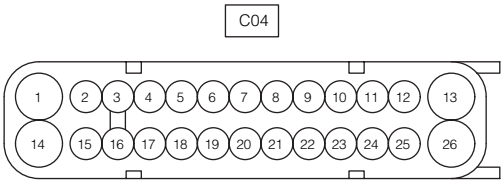
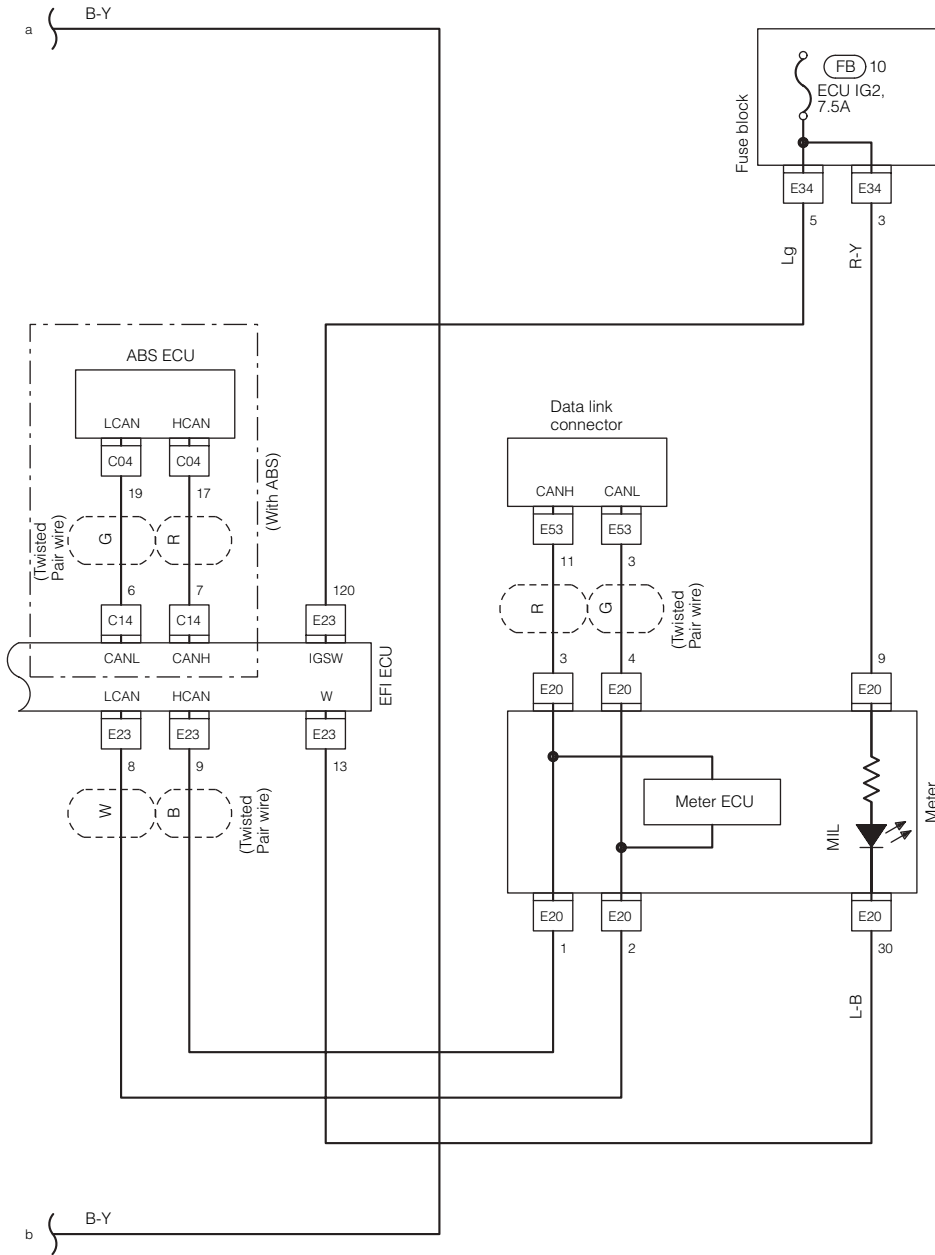
## 4 ENGINE CONTROL SYSTEM 4-1 RHD VEHICLE(1KR-FE ENGINE)

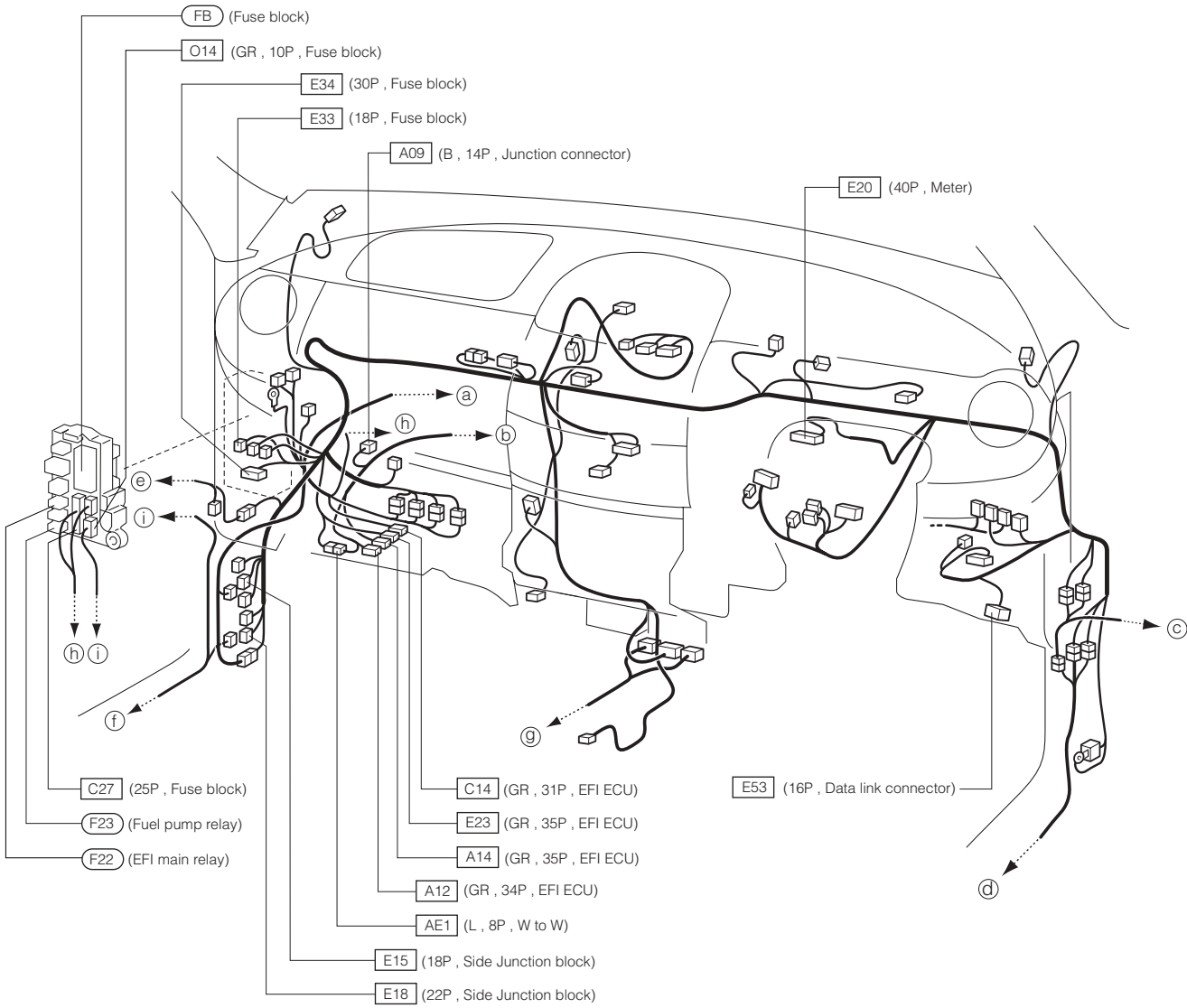


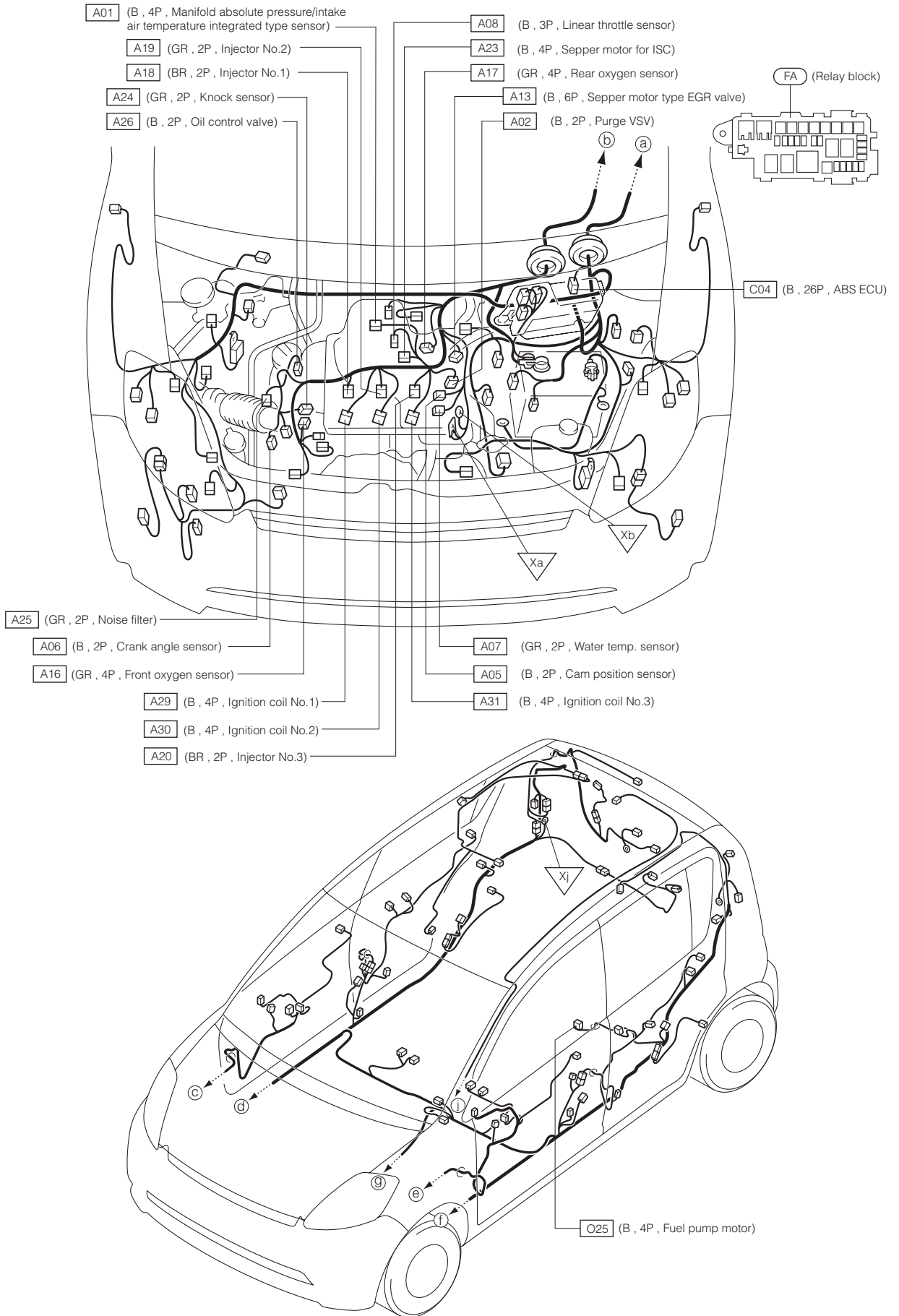




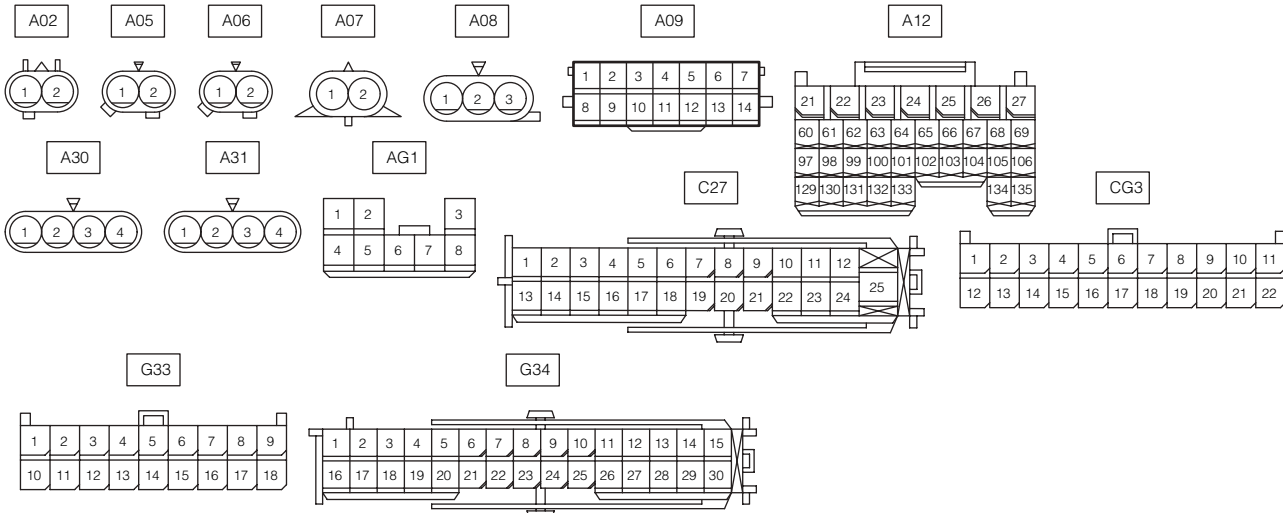
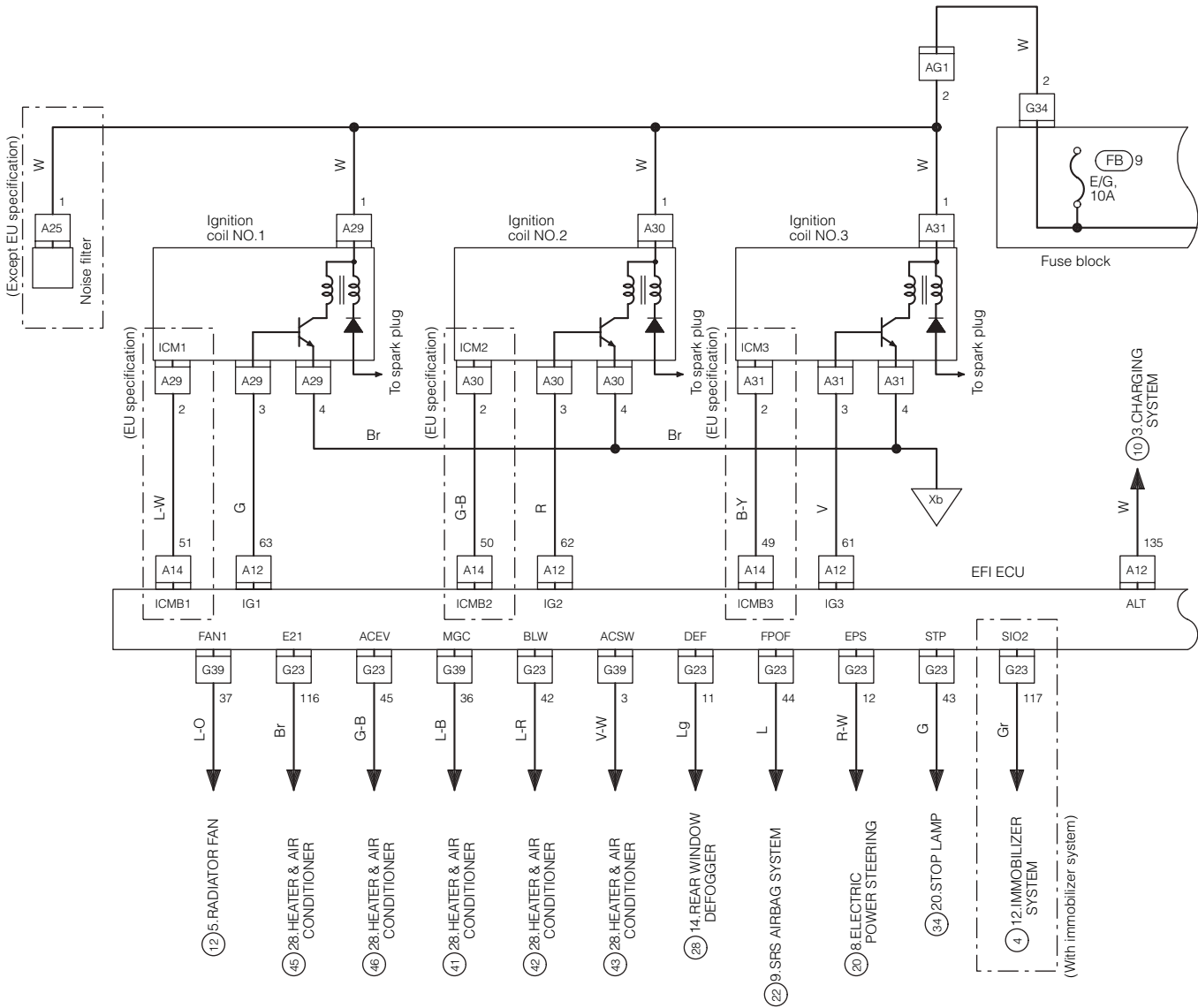


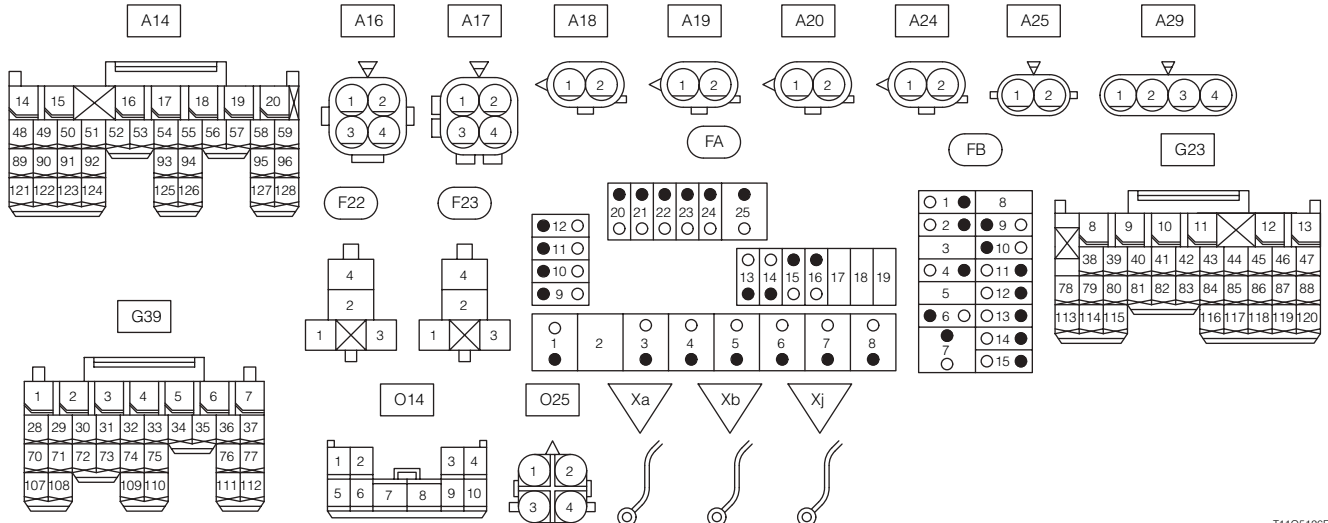
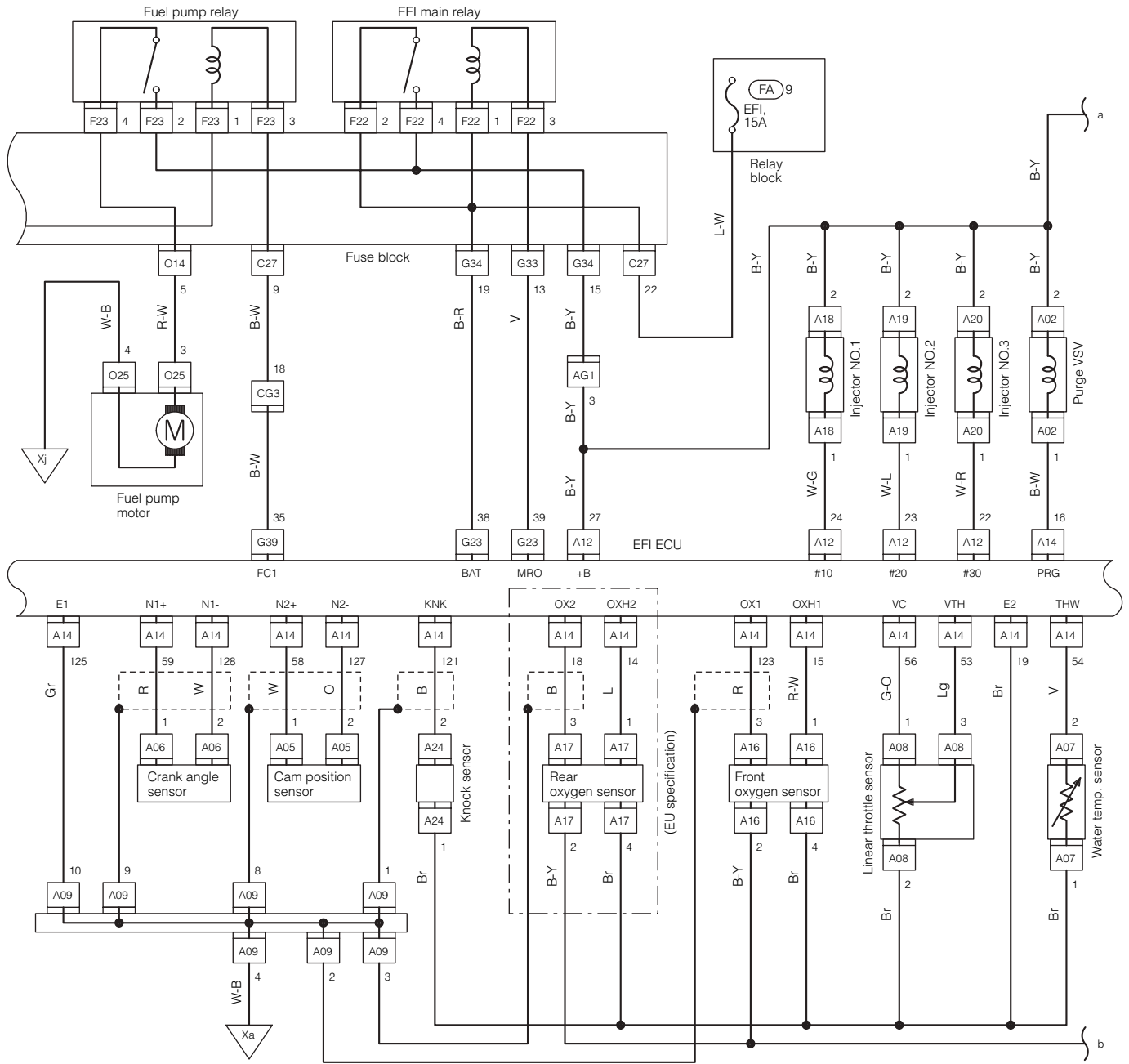


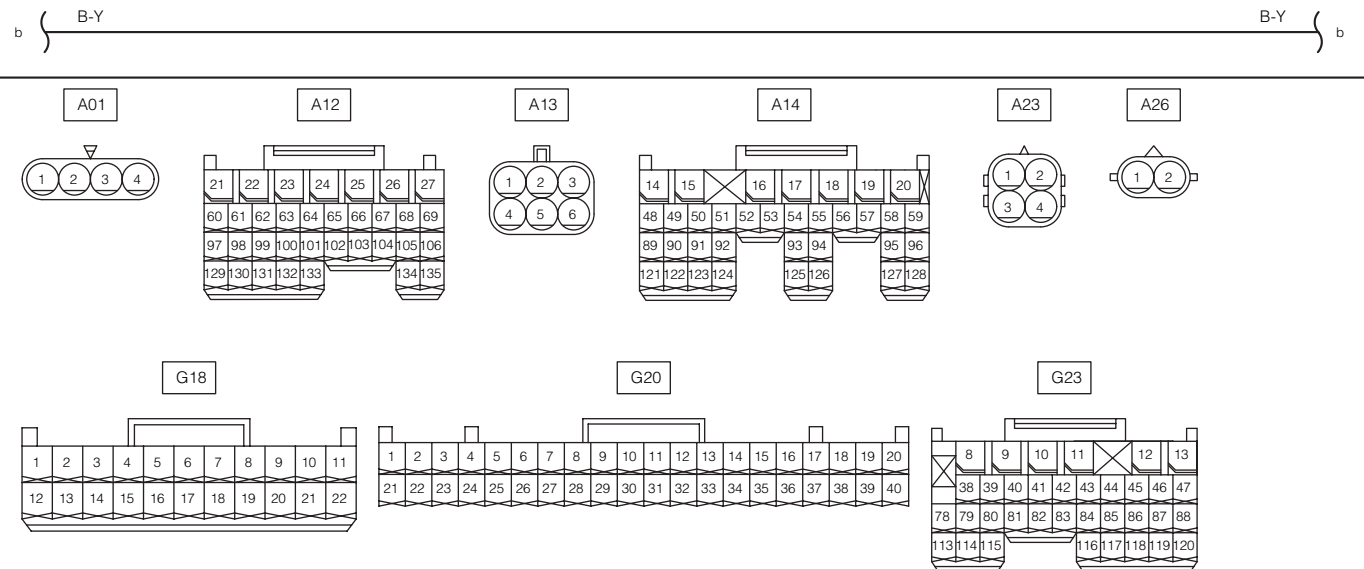
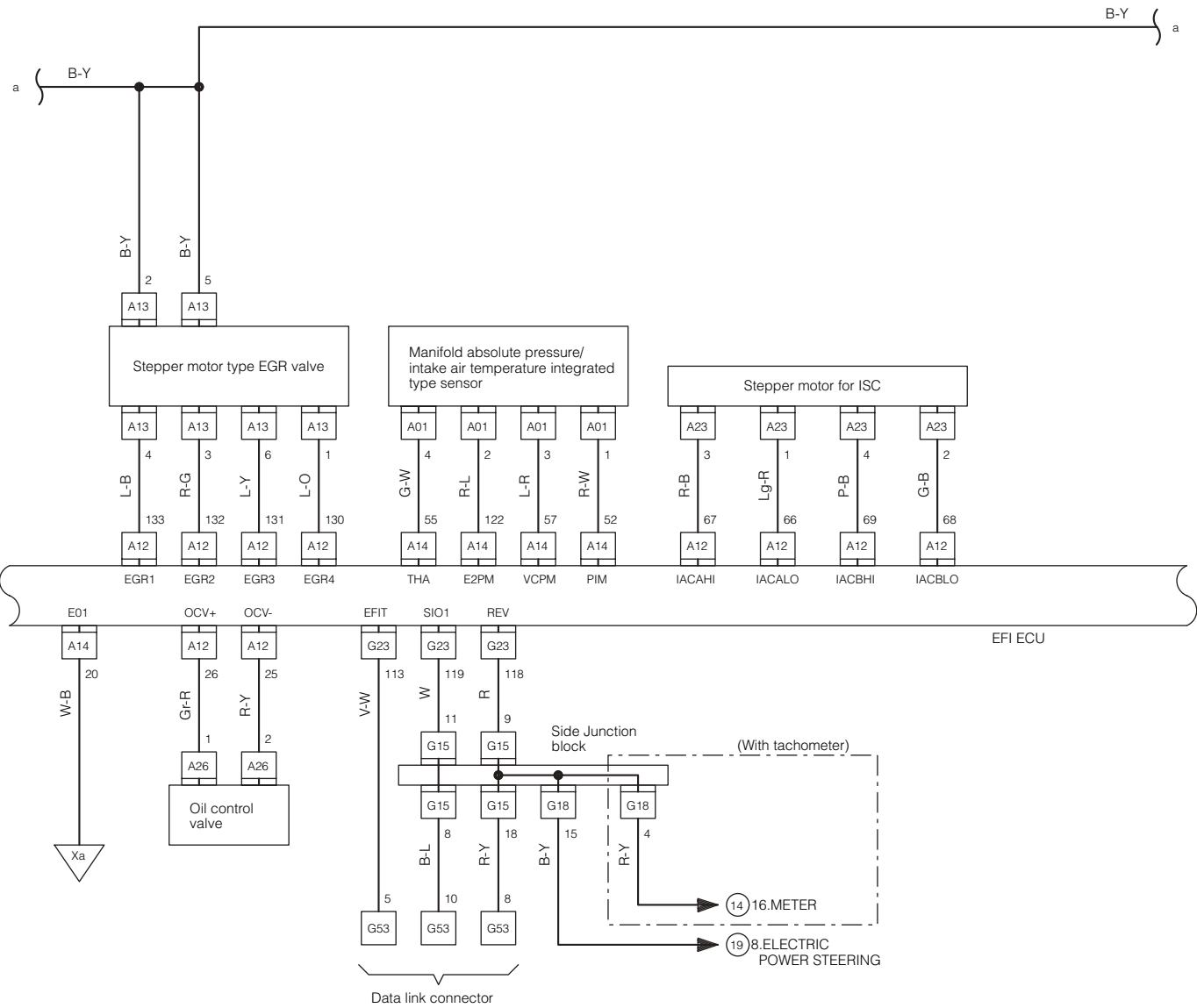


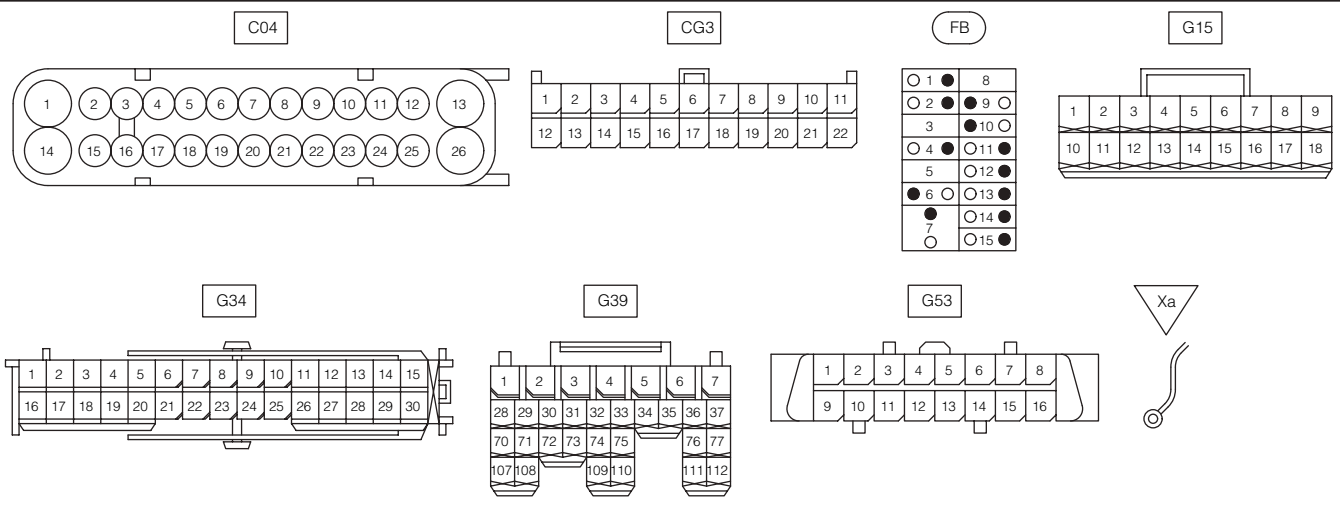
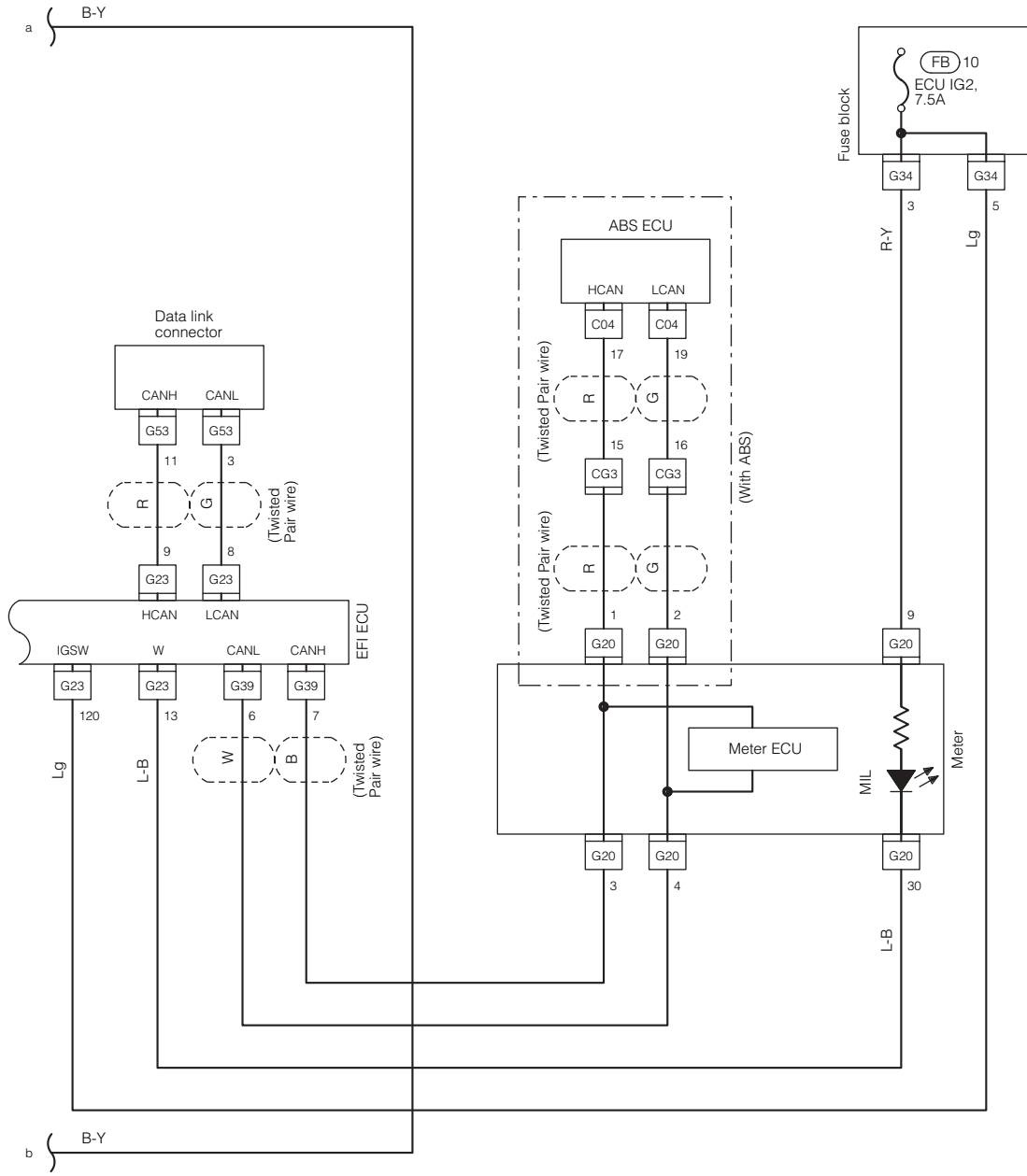


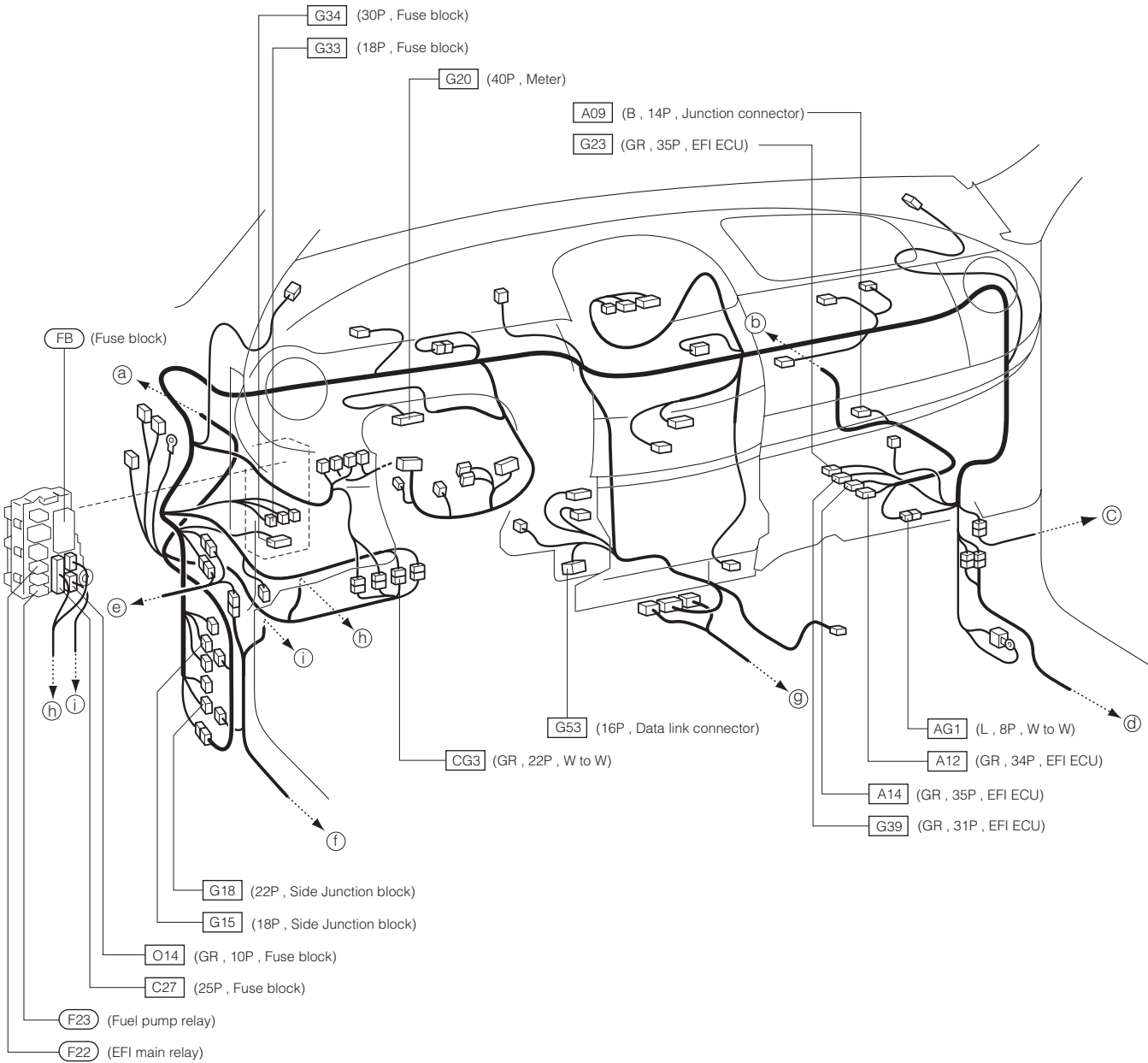
## 4-2 LHD VEHICLE(1KR-FE ENGINE)



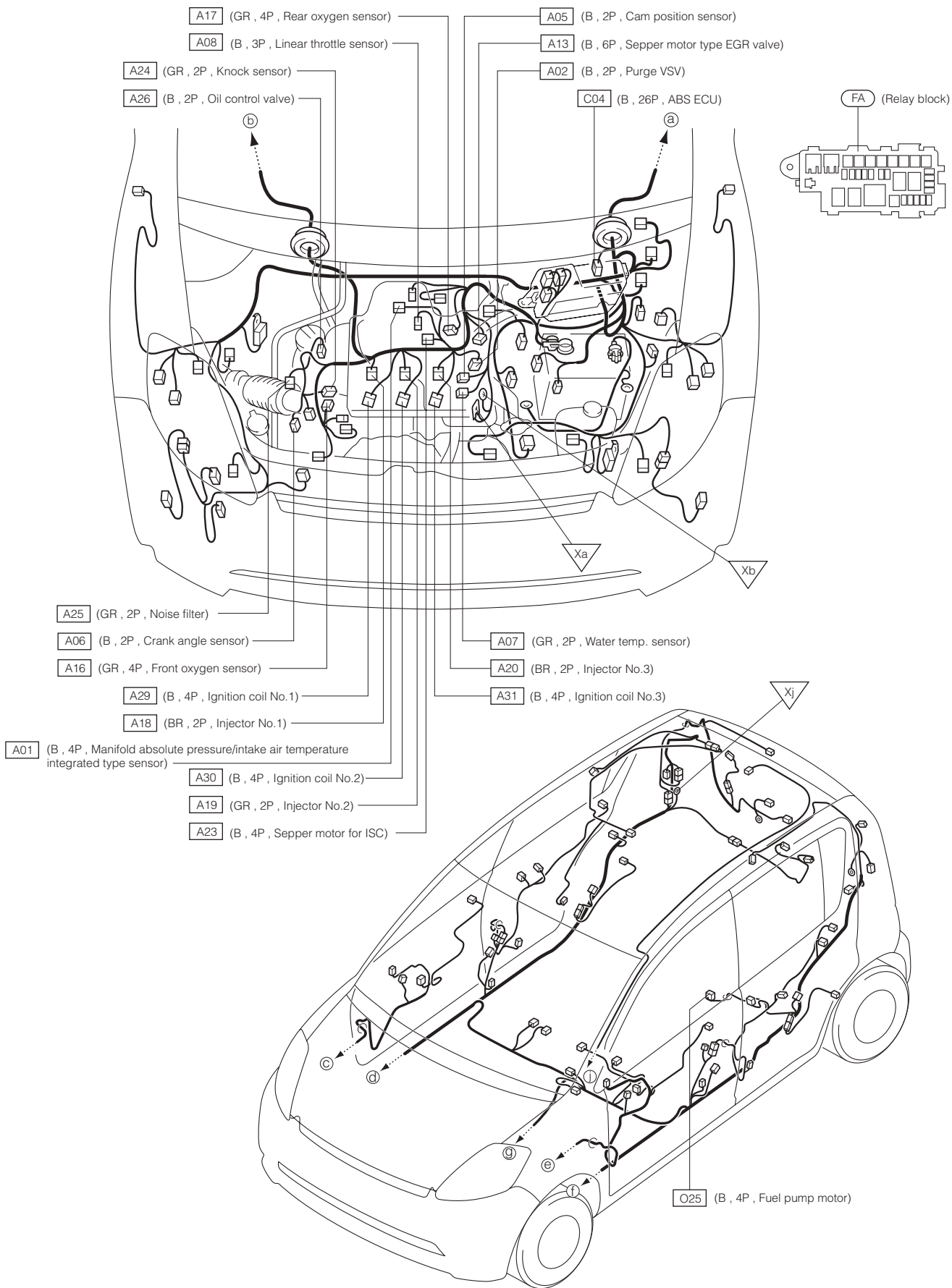




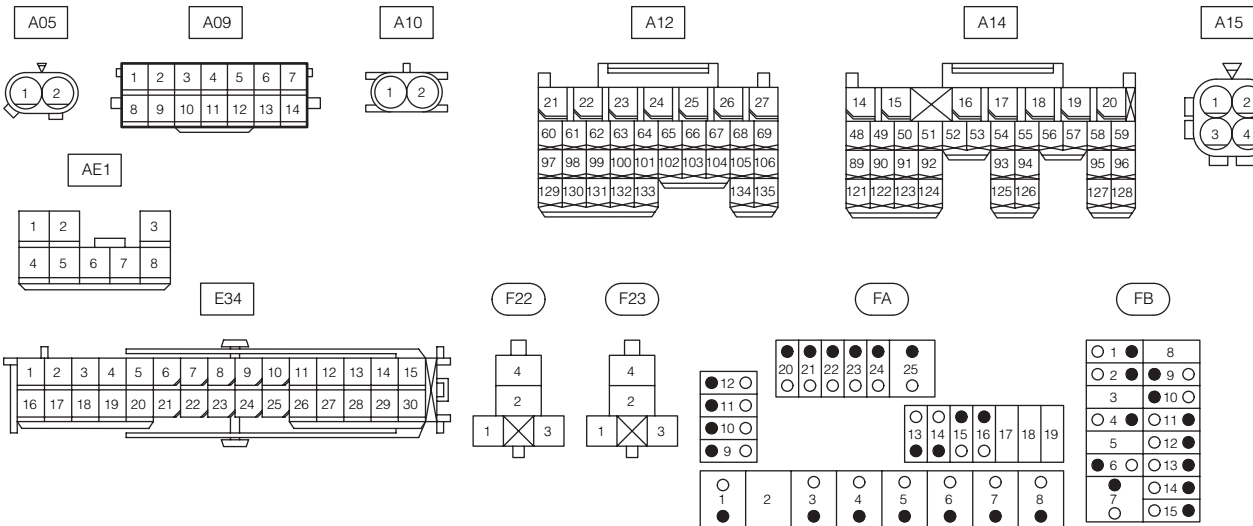
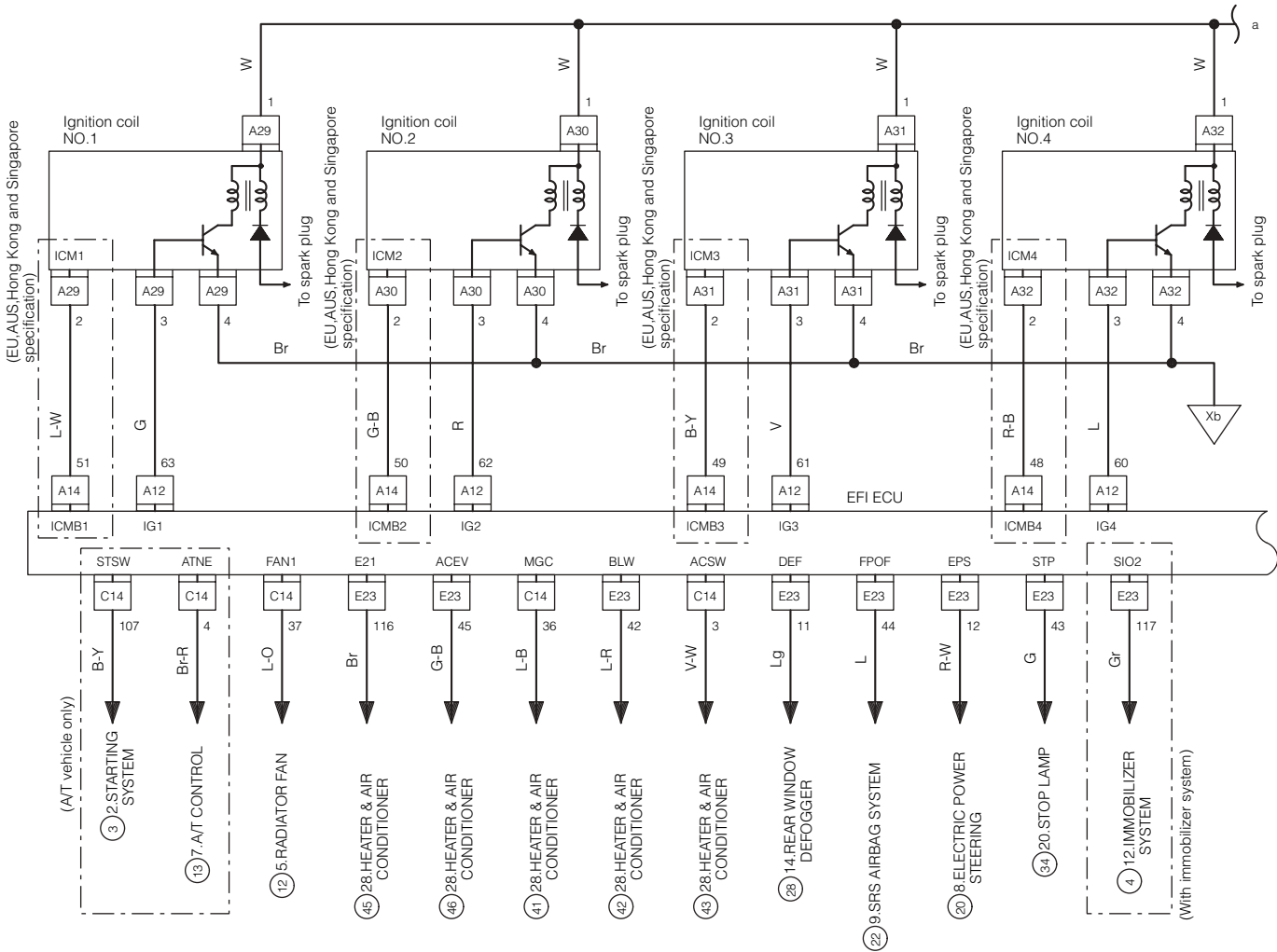


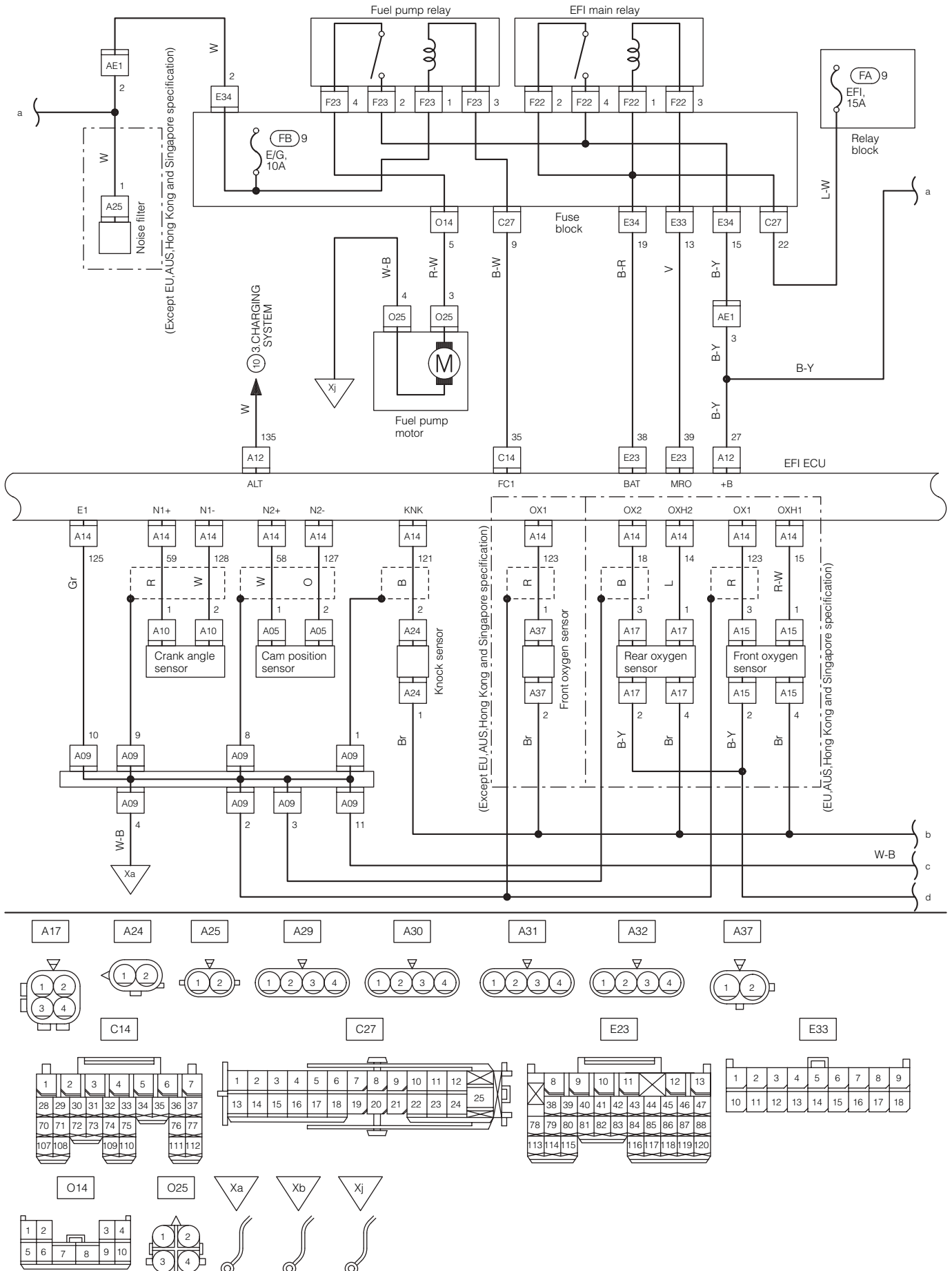


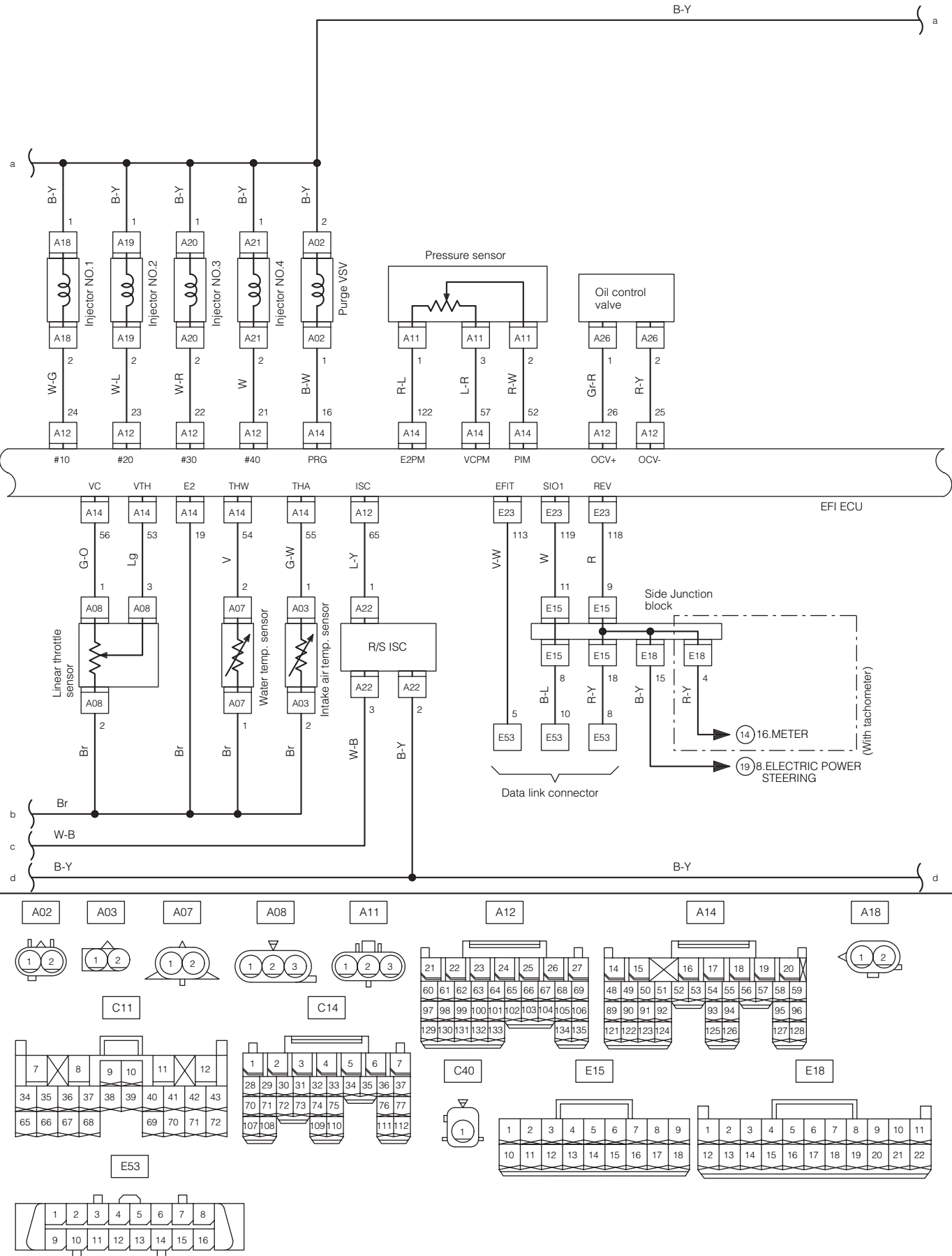


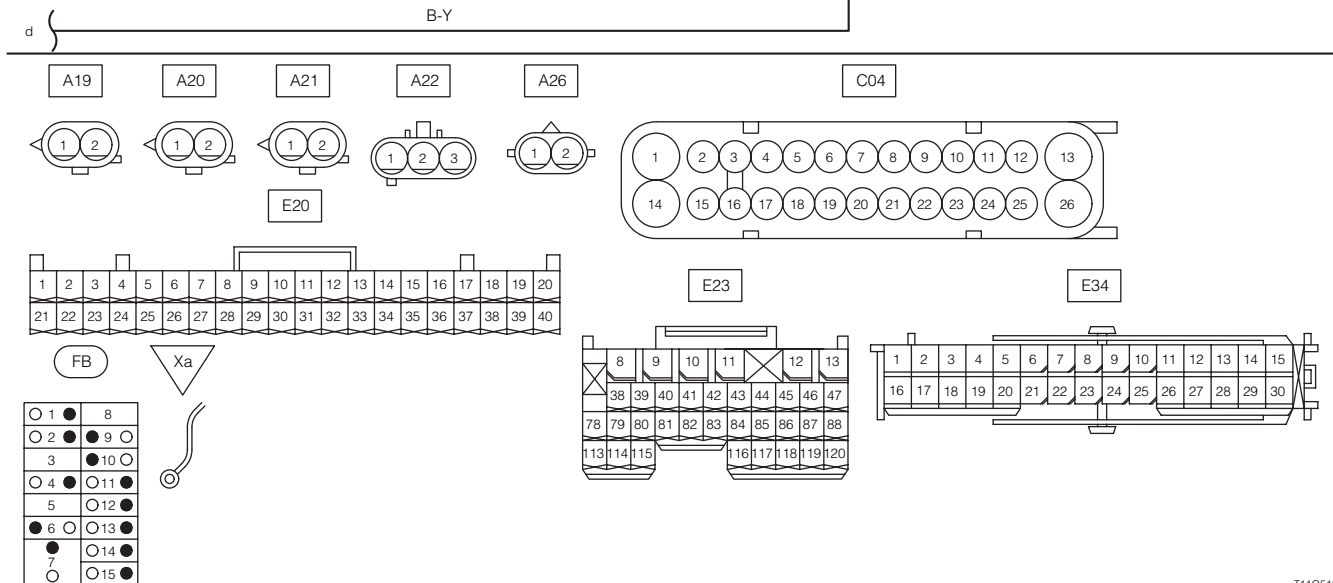
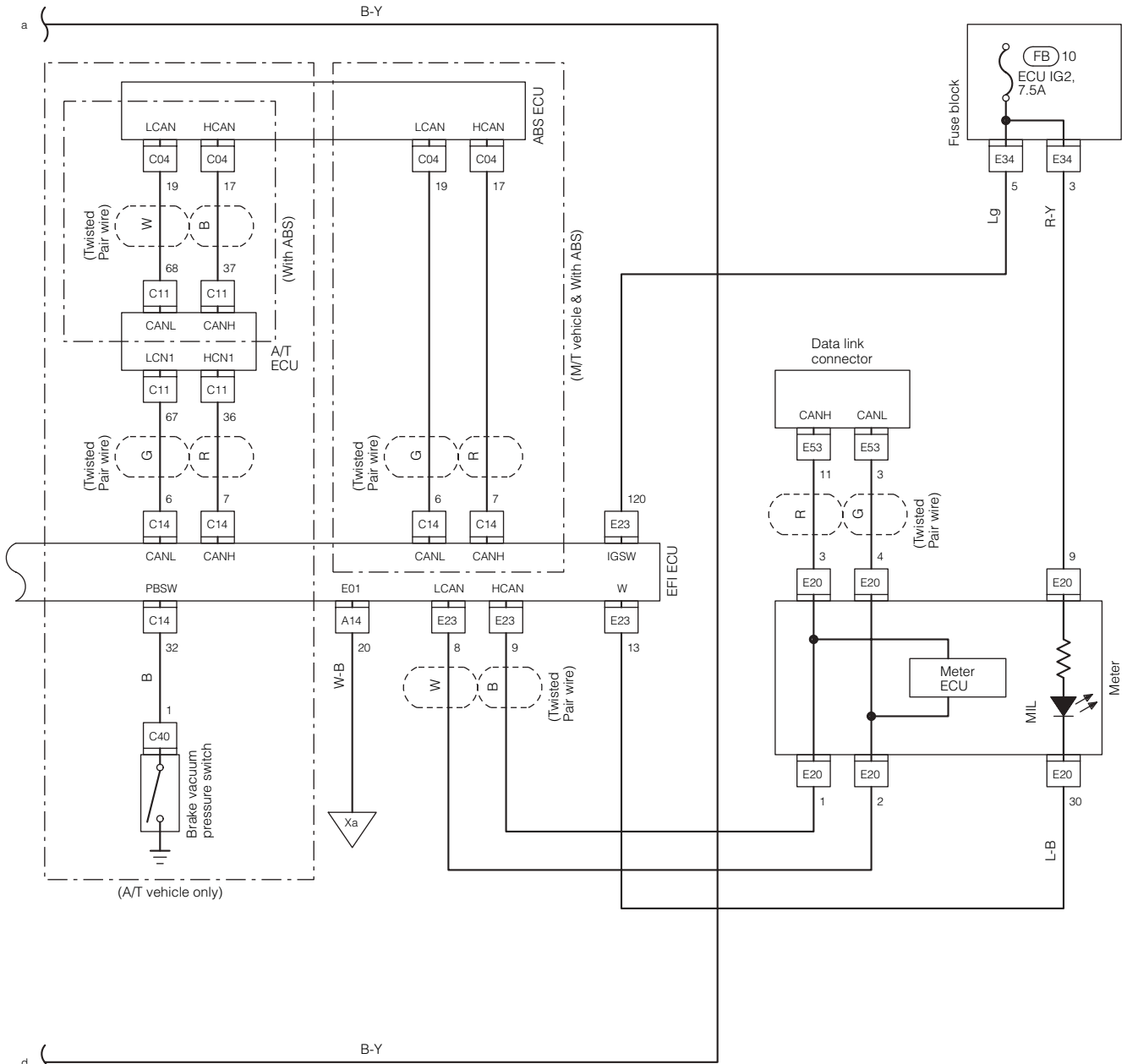


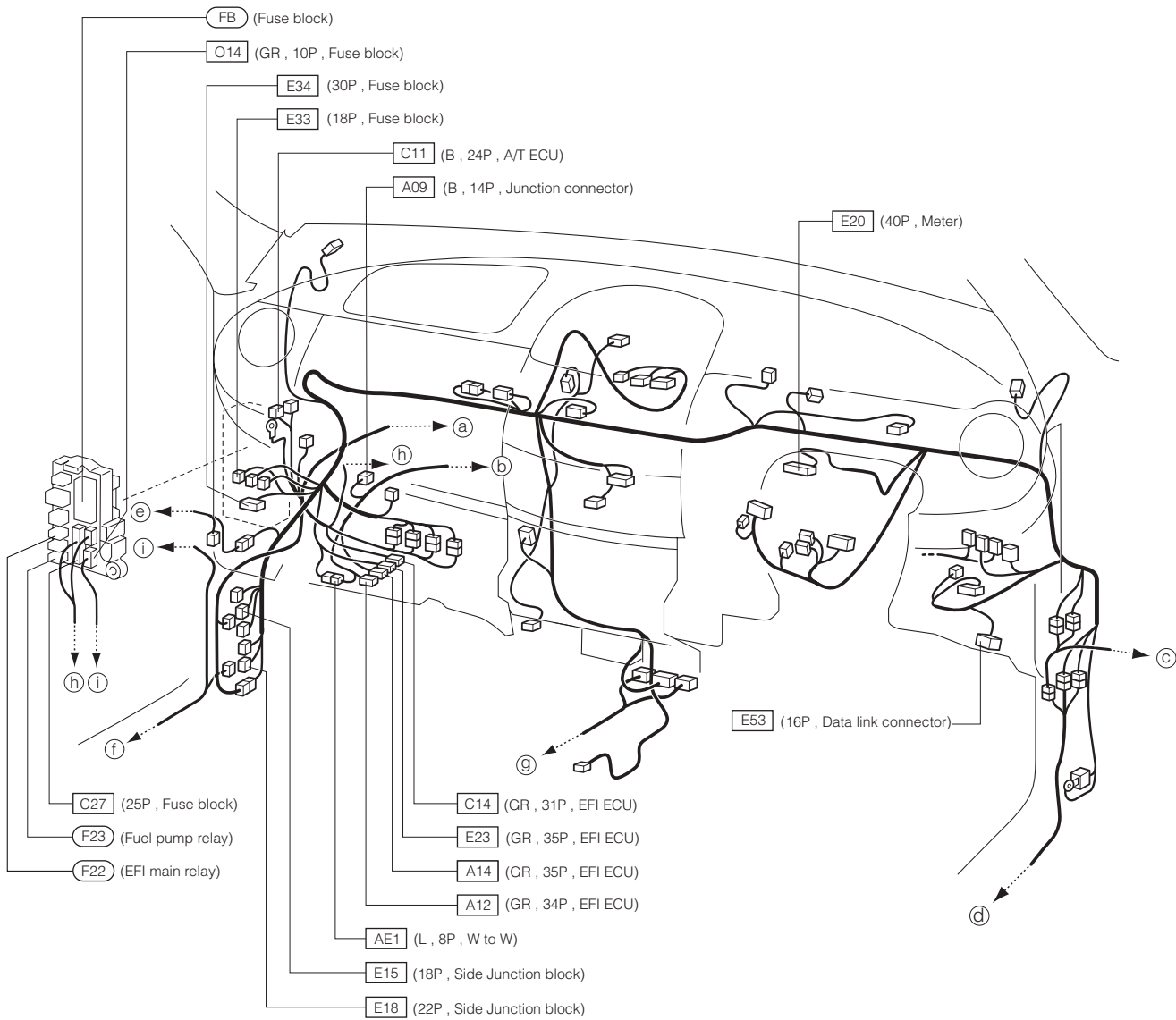
## 4-3 RHD VEHICLE(K3-VE ENGINE)

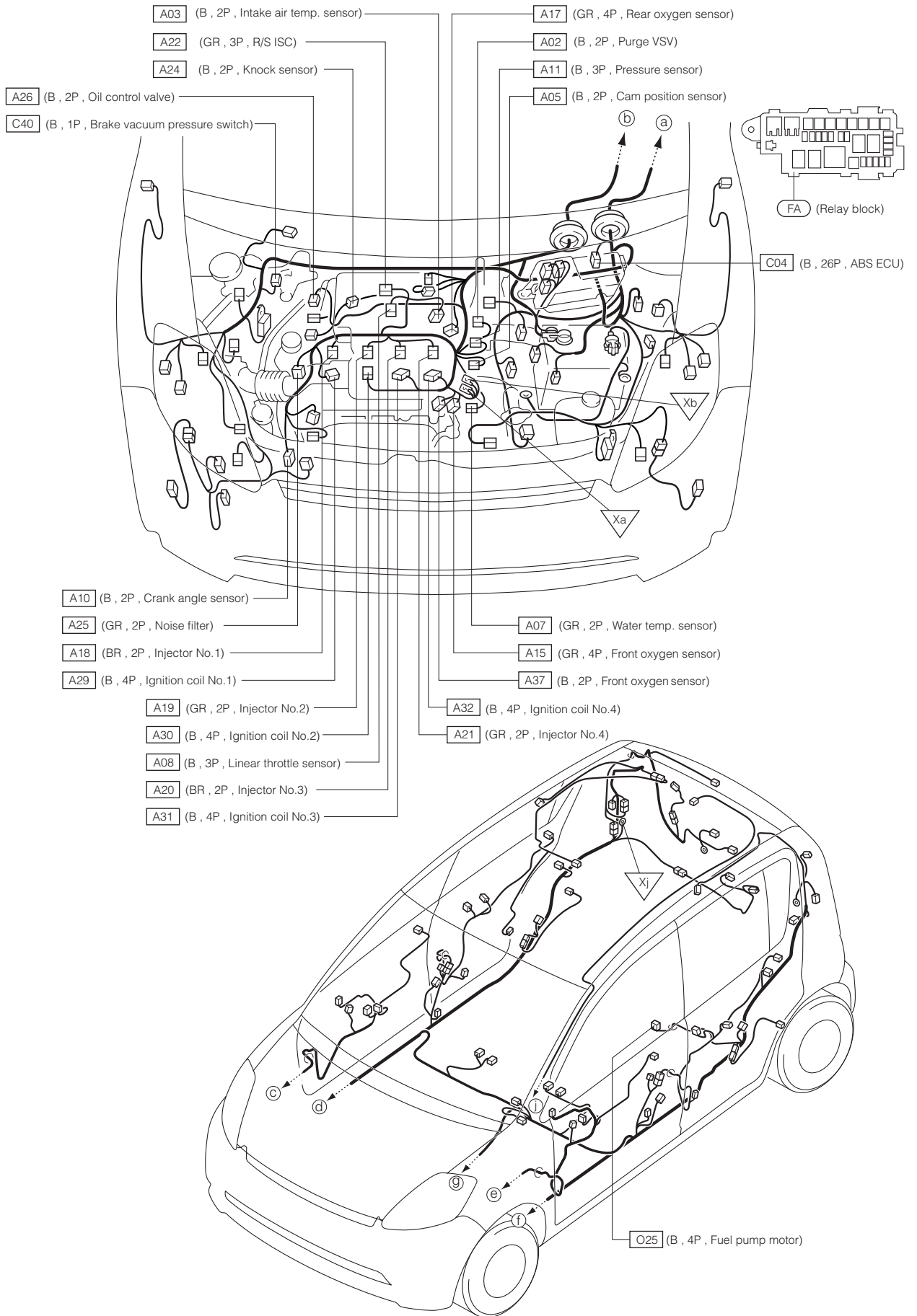




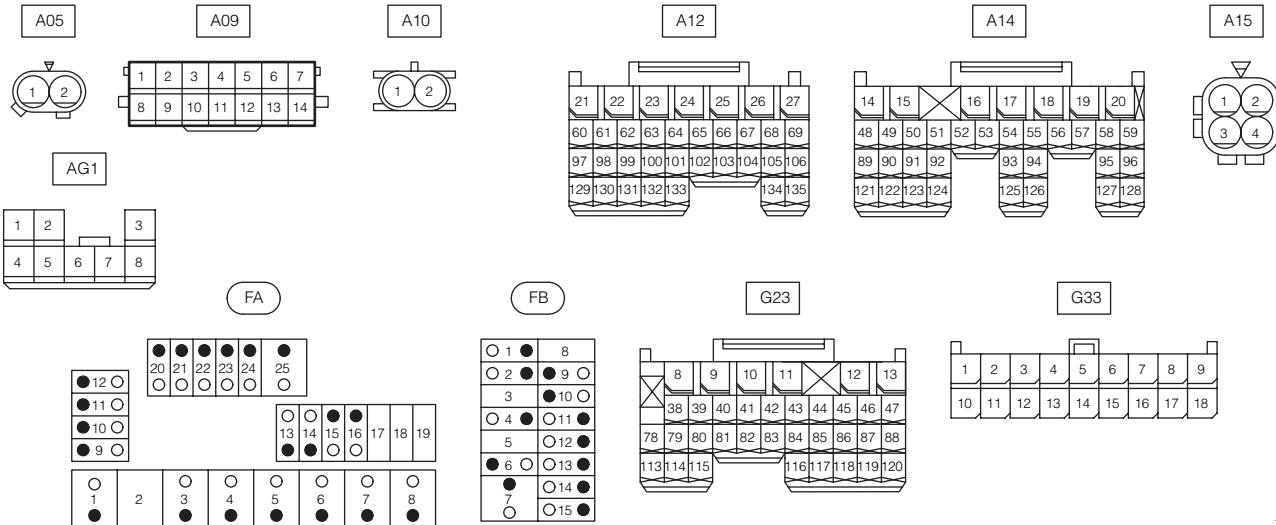
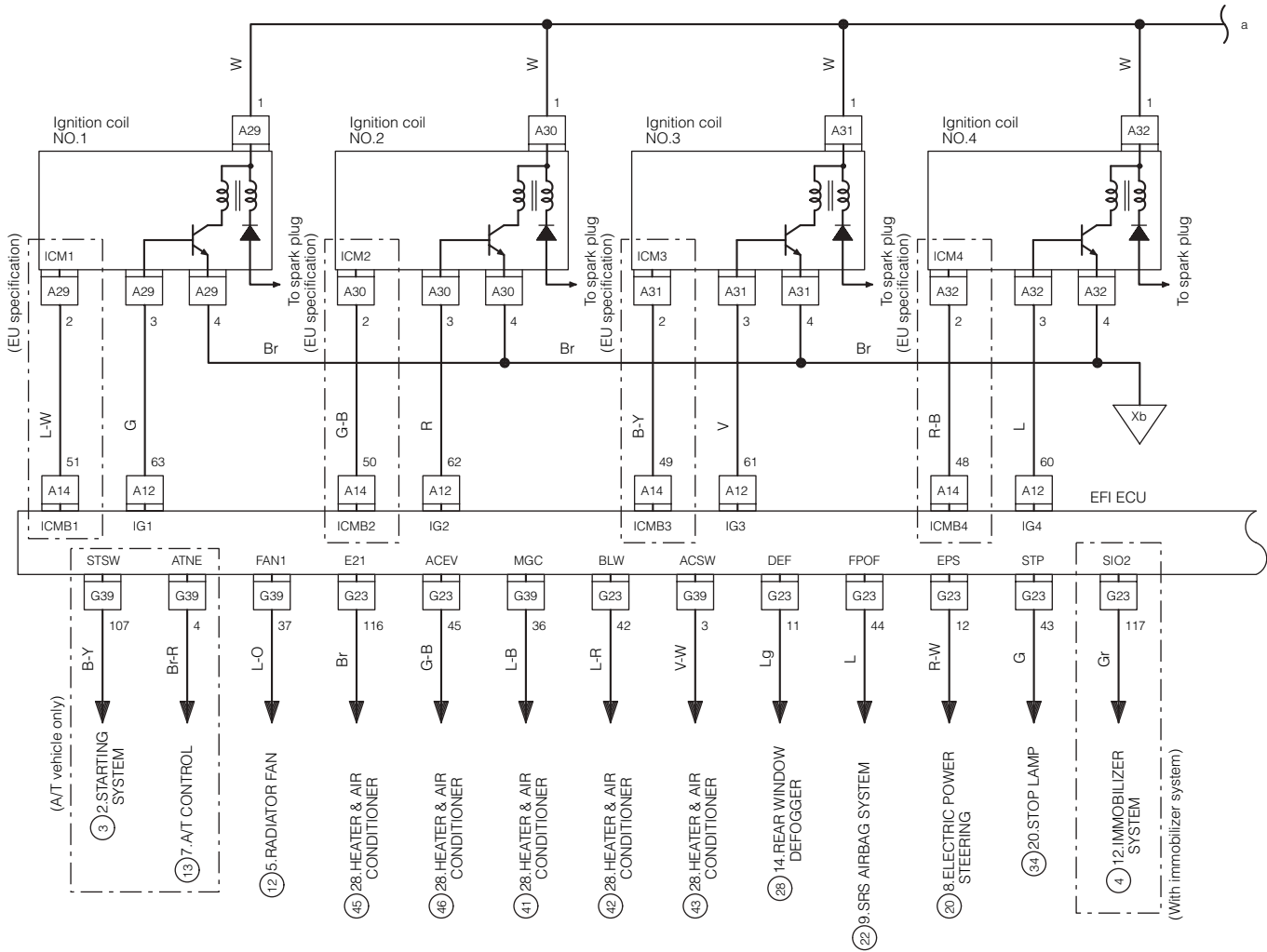




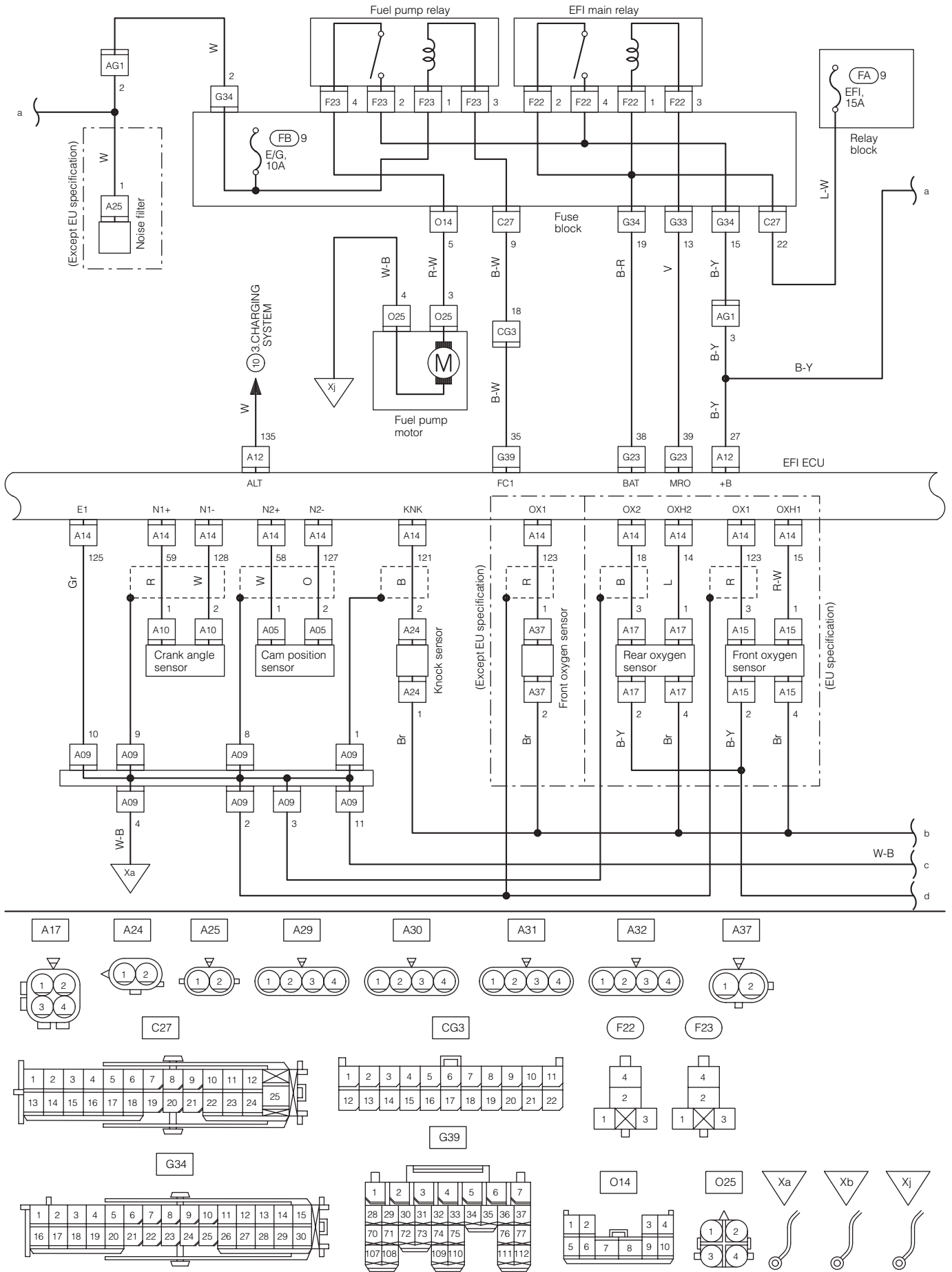


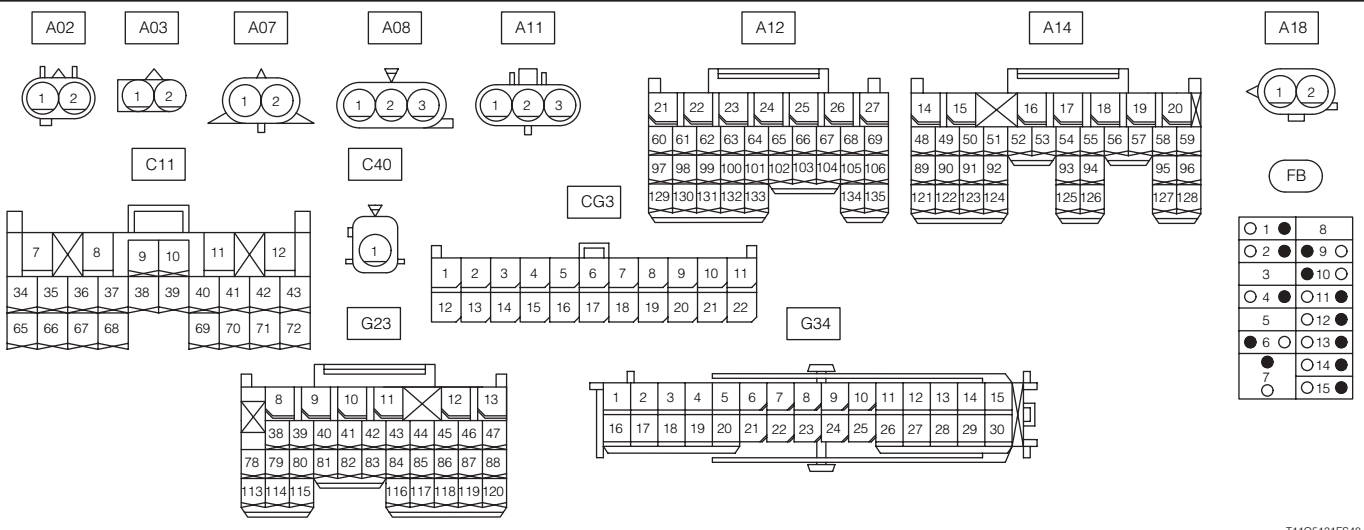
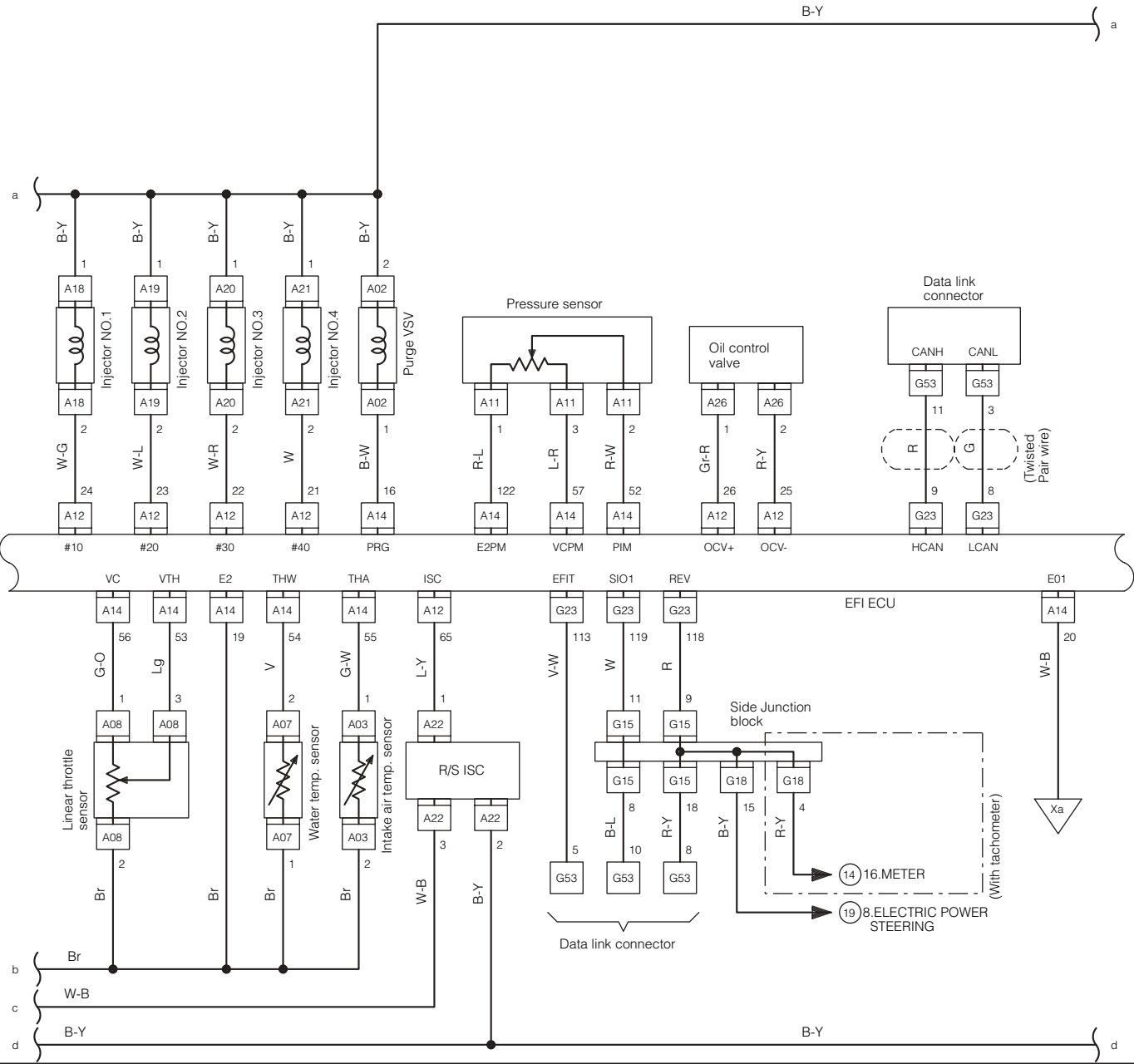


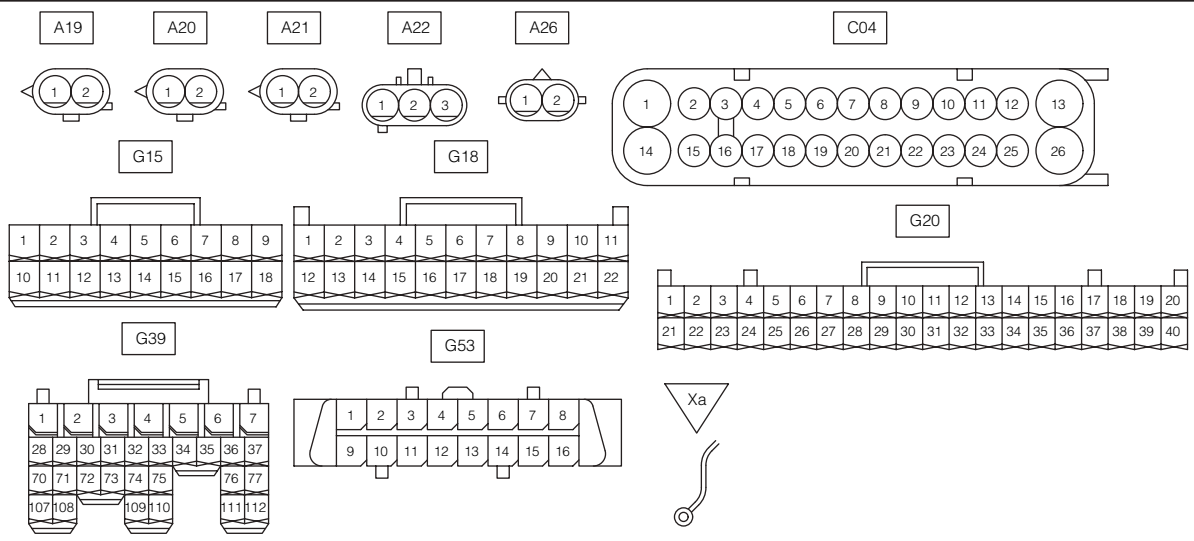
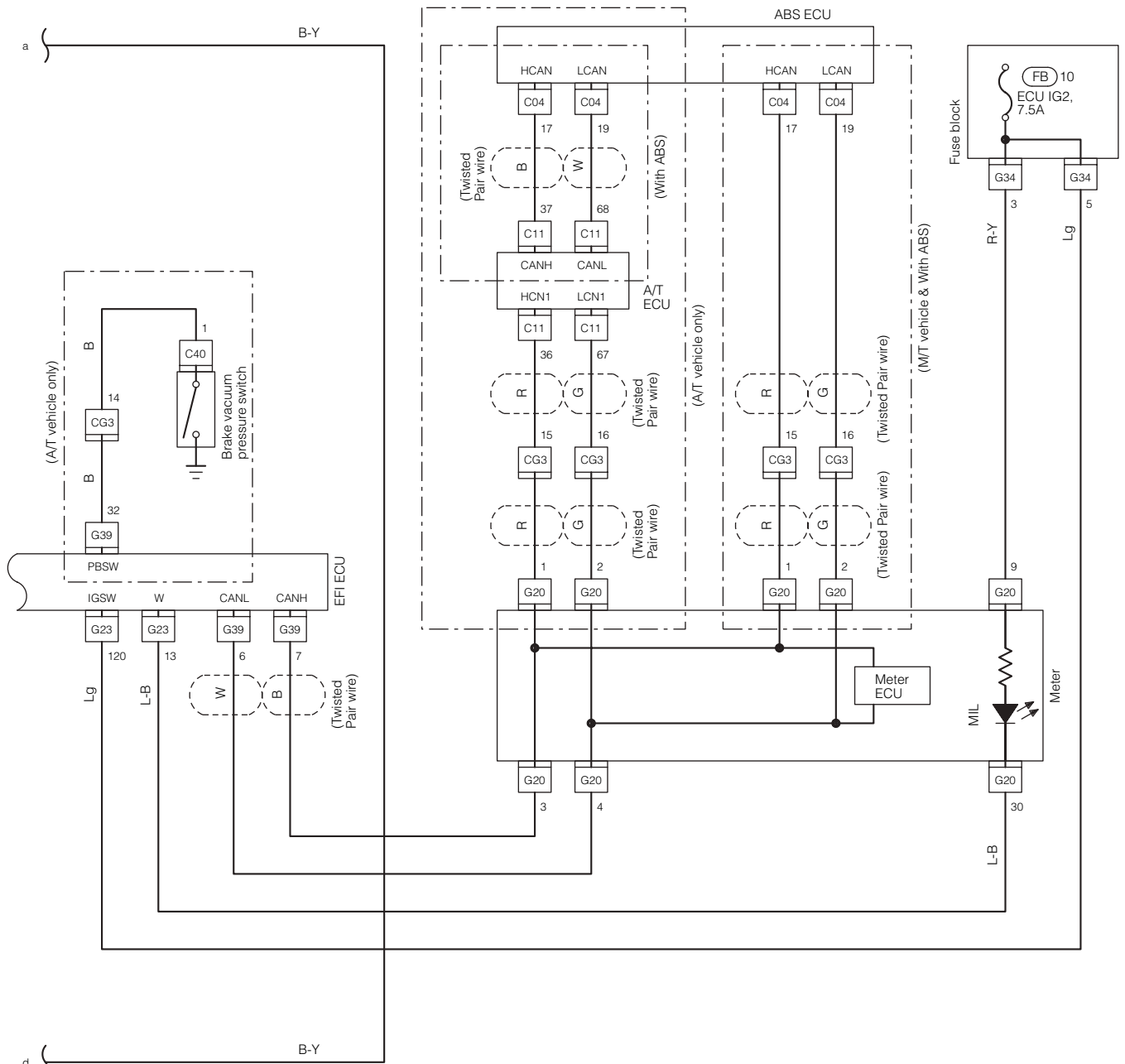
## 4-4 LHD VEHICLE(K3-VE ENGINE)

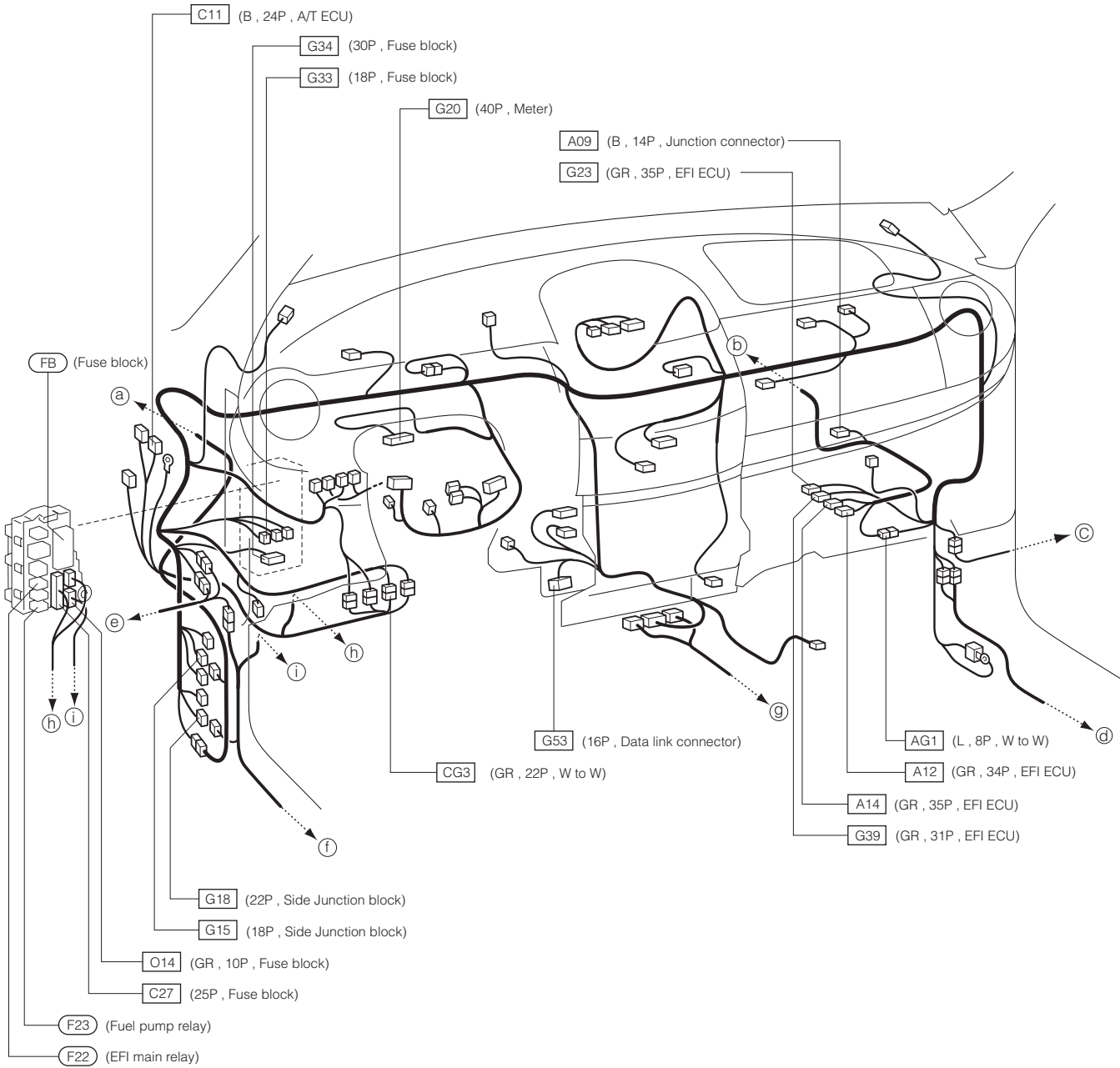


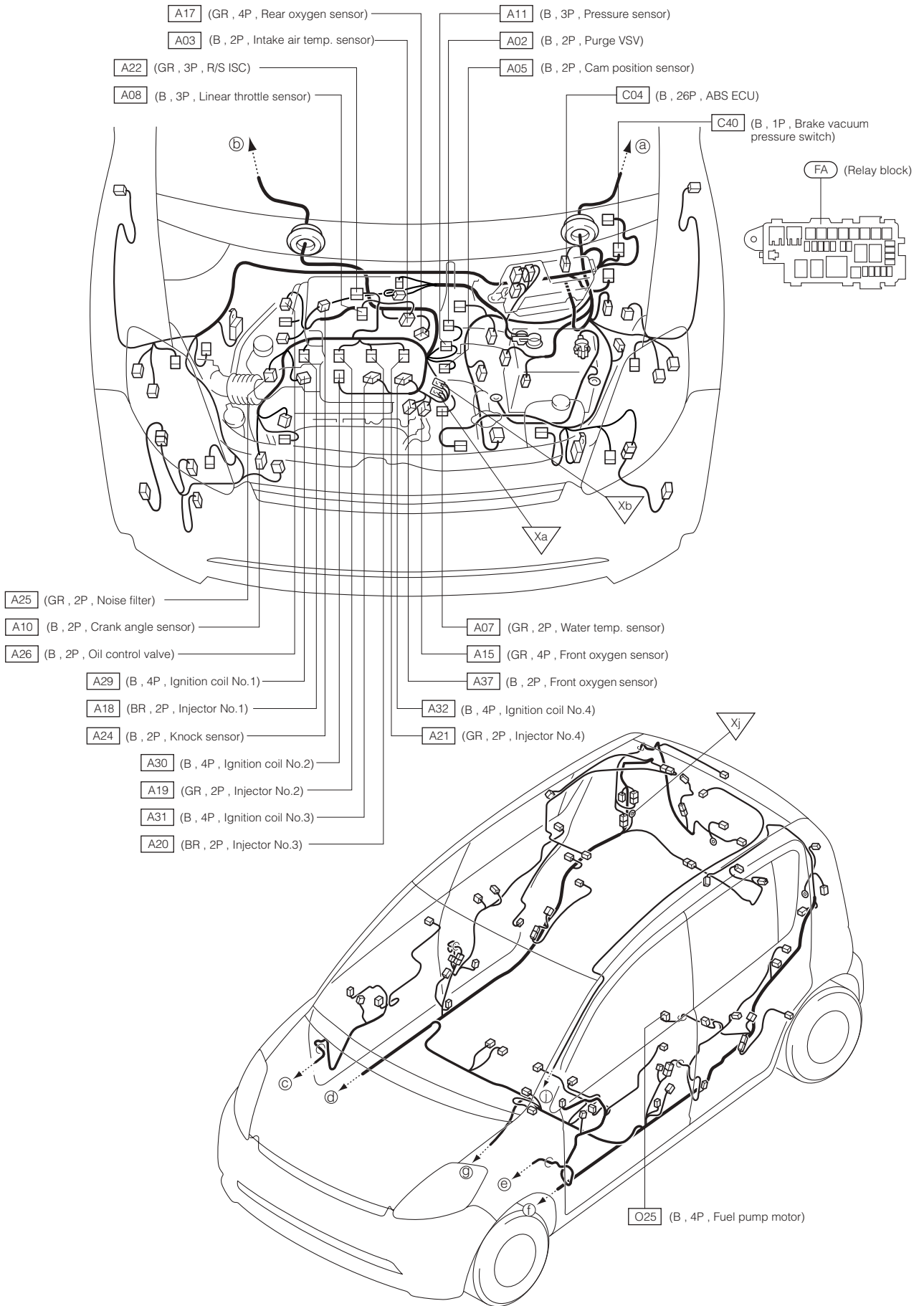




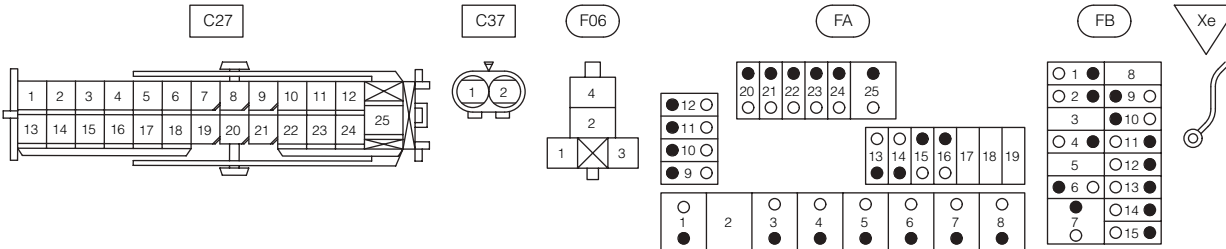
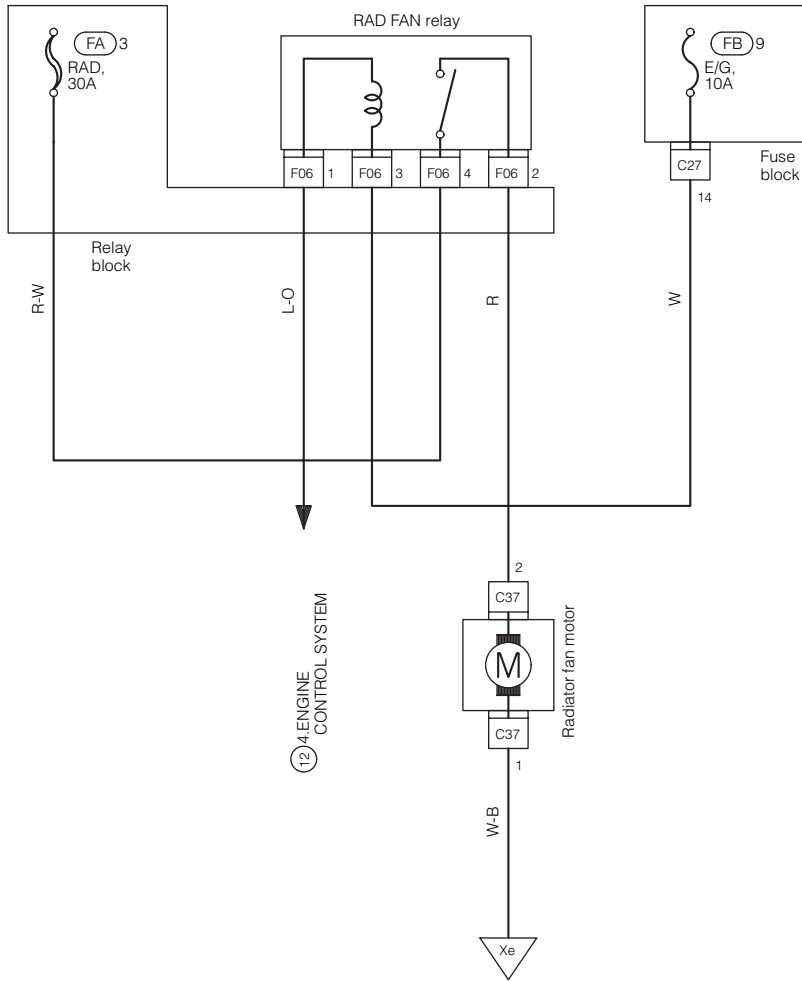




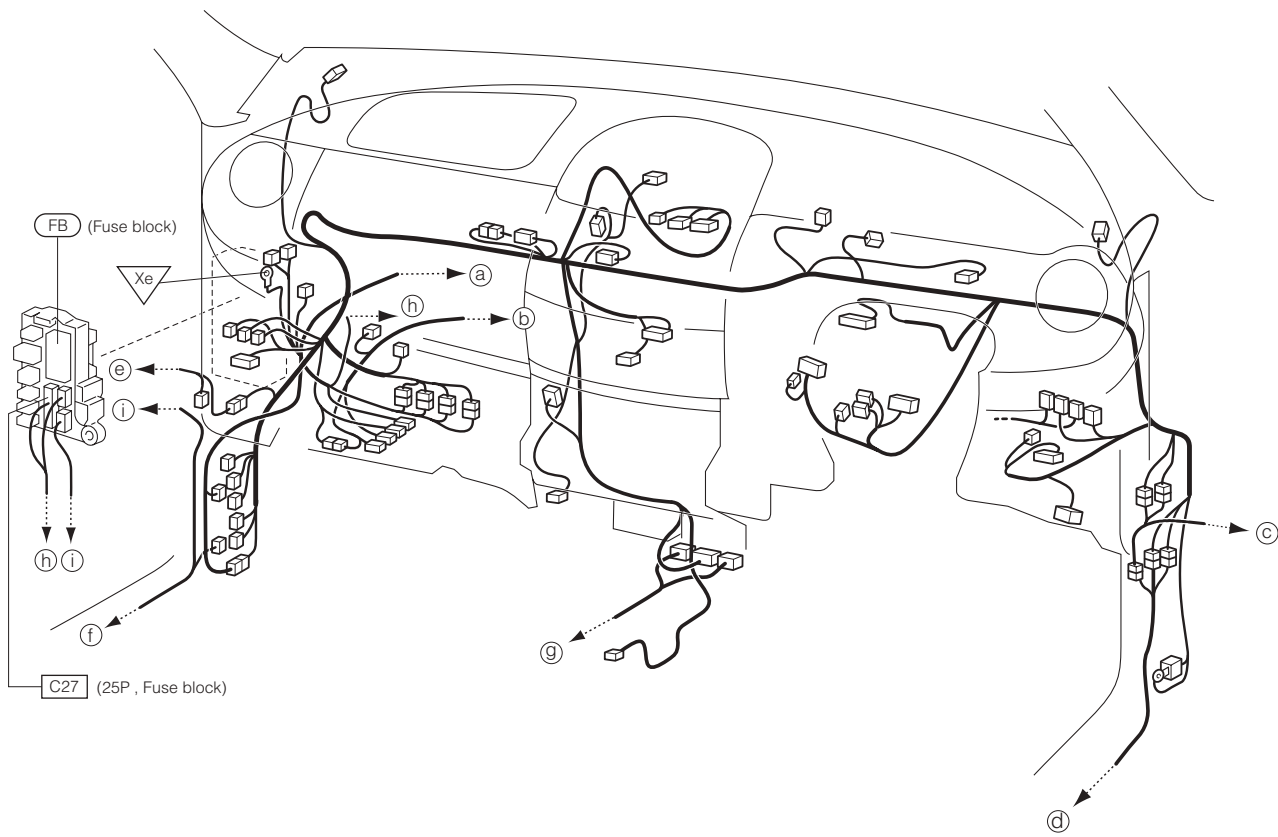




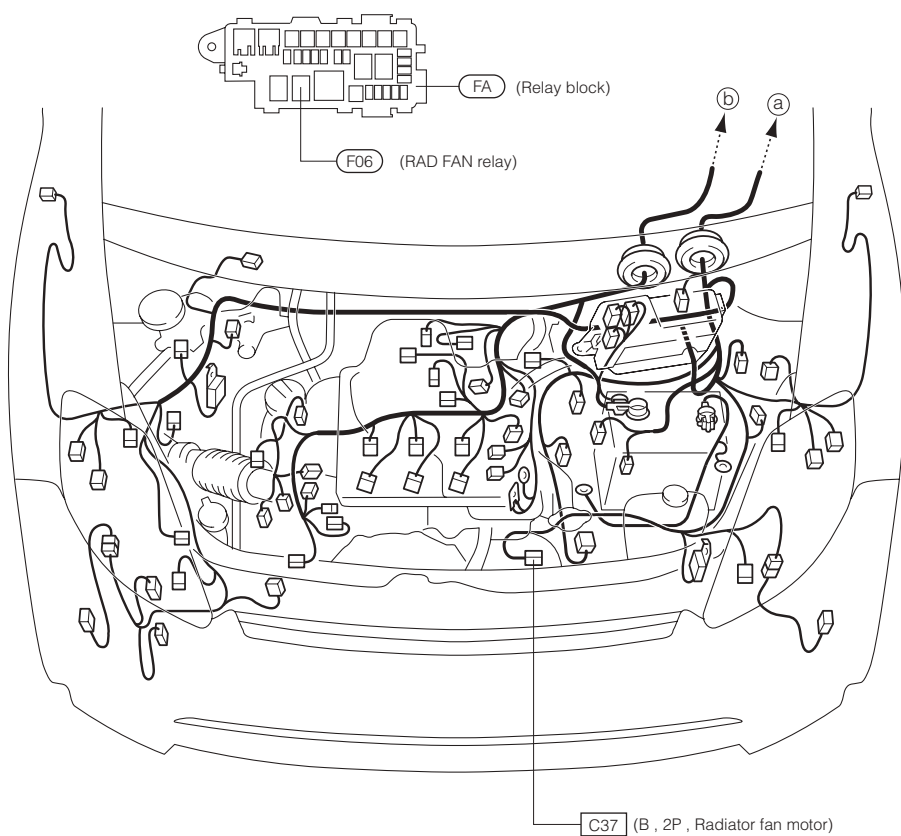
## 5 RADIATOR FAN 5-1 RHD VEHICLE



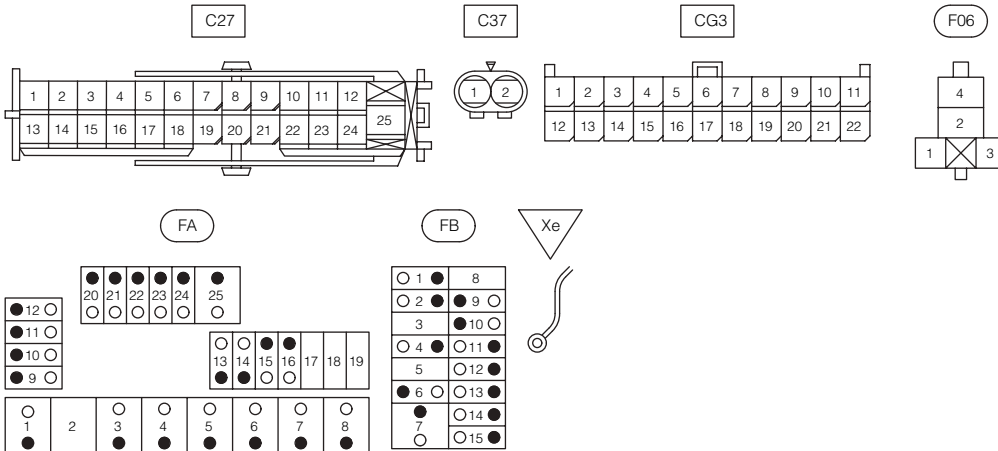
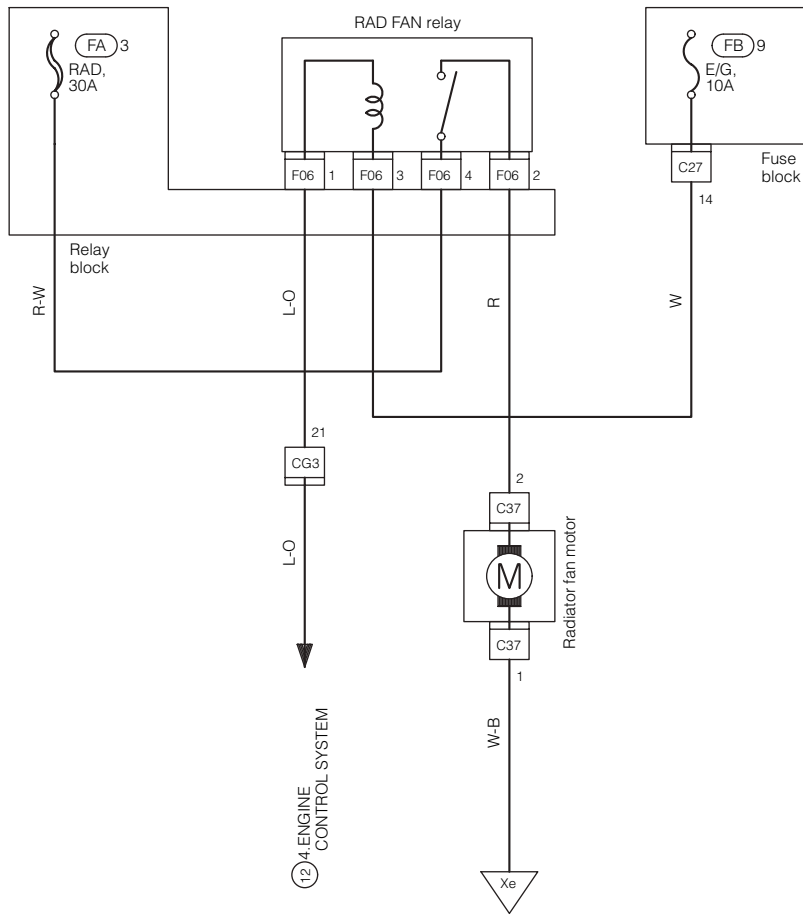
(MEMO)



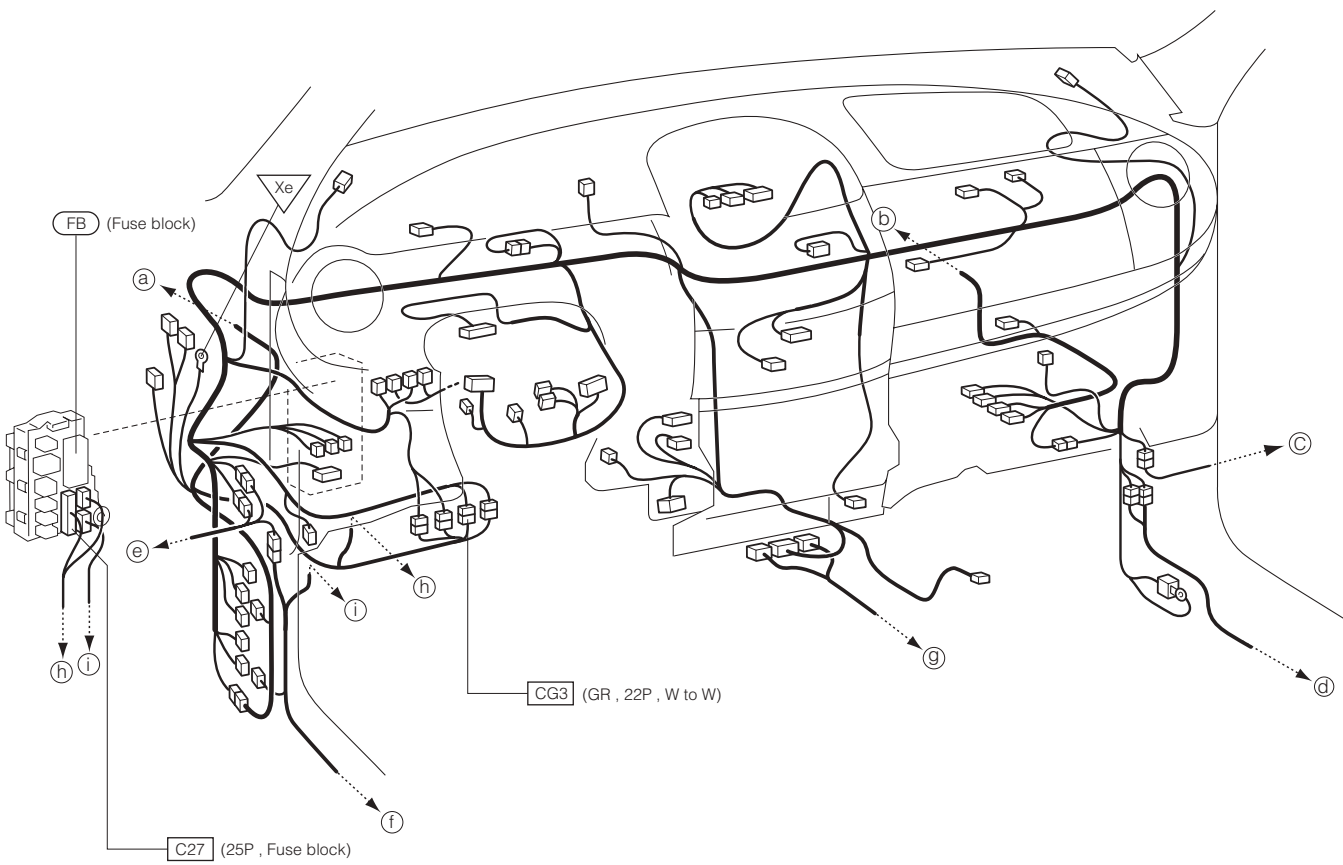


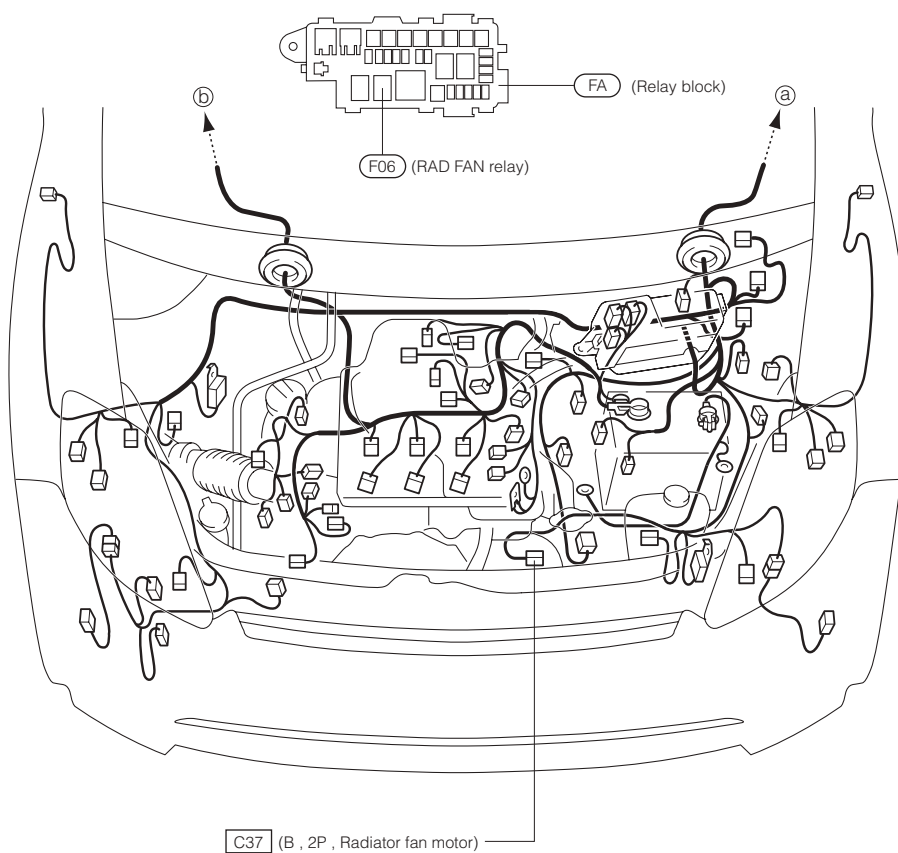


## 5-2 LHD VEHICLE



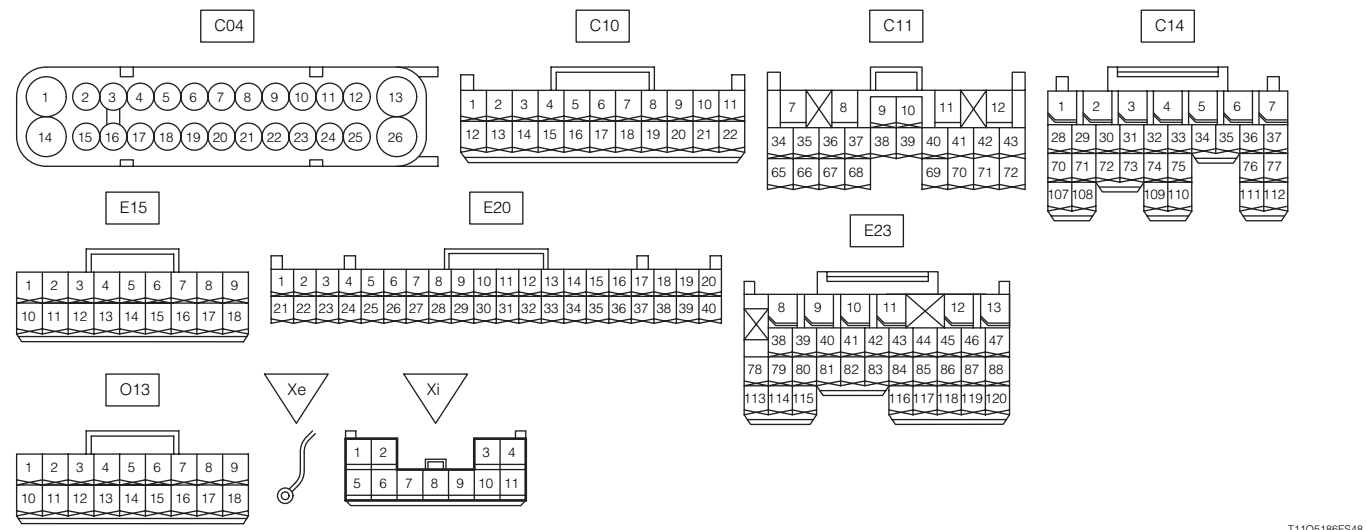
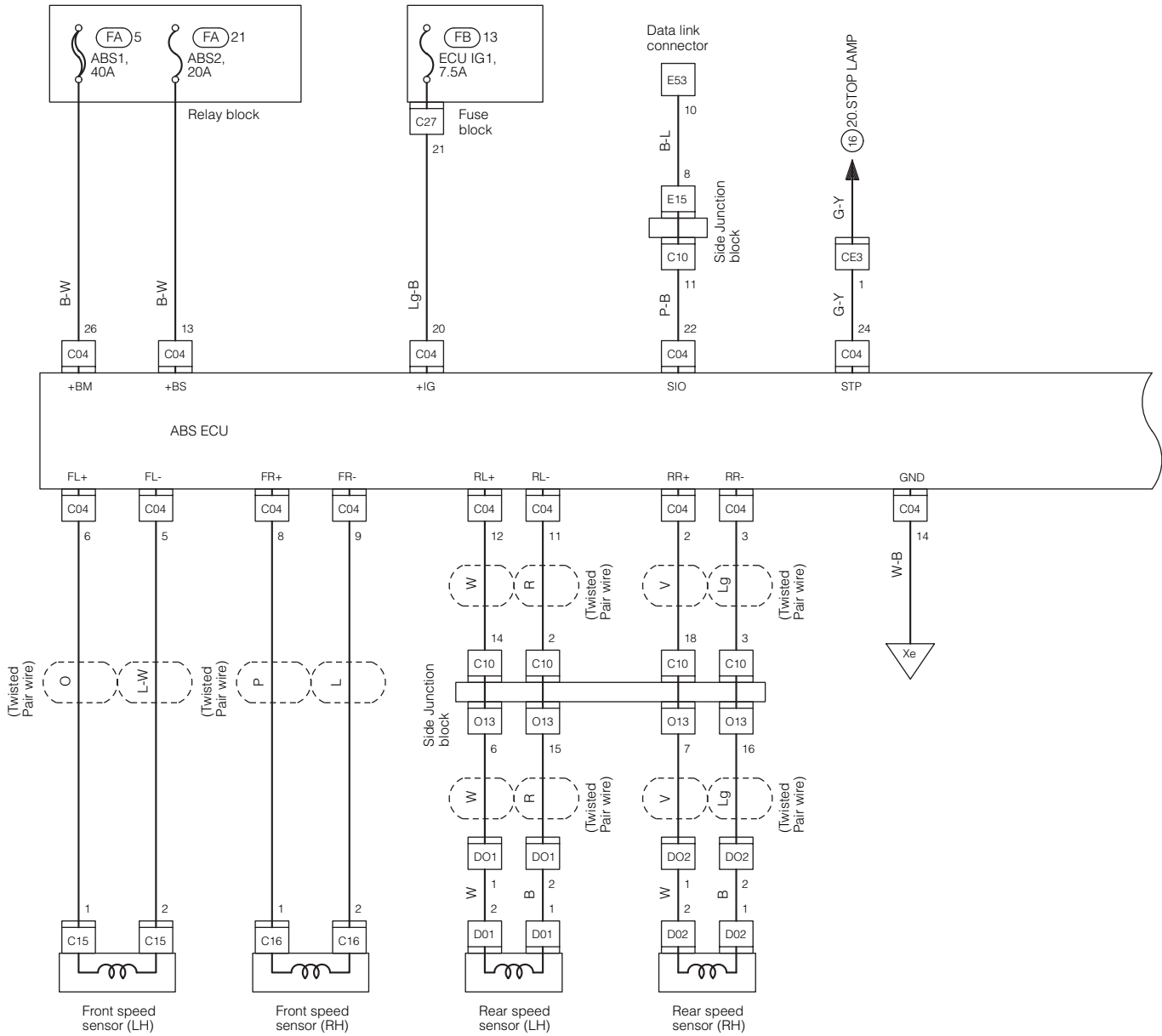
(MEMO)

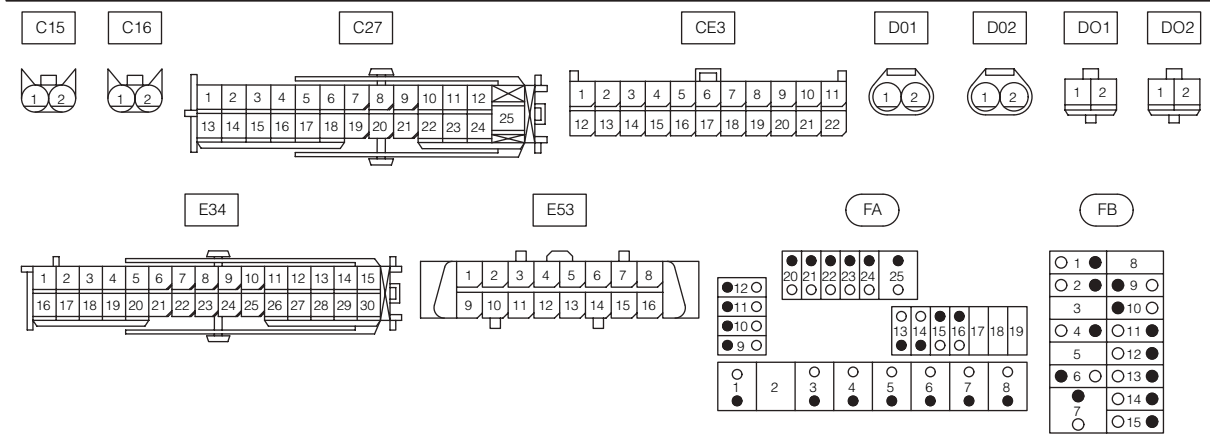
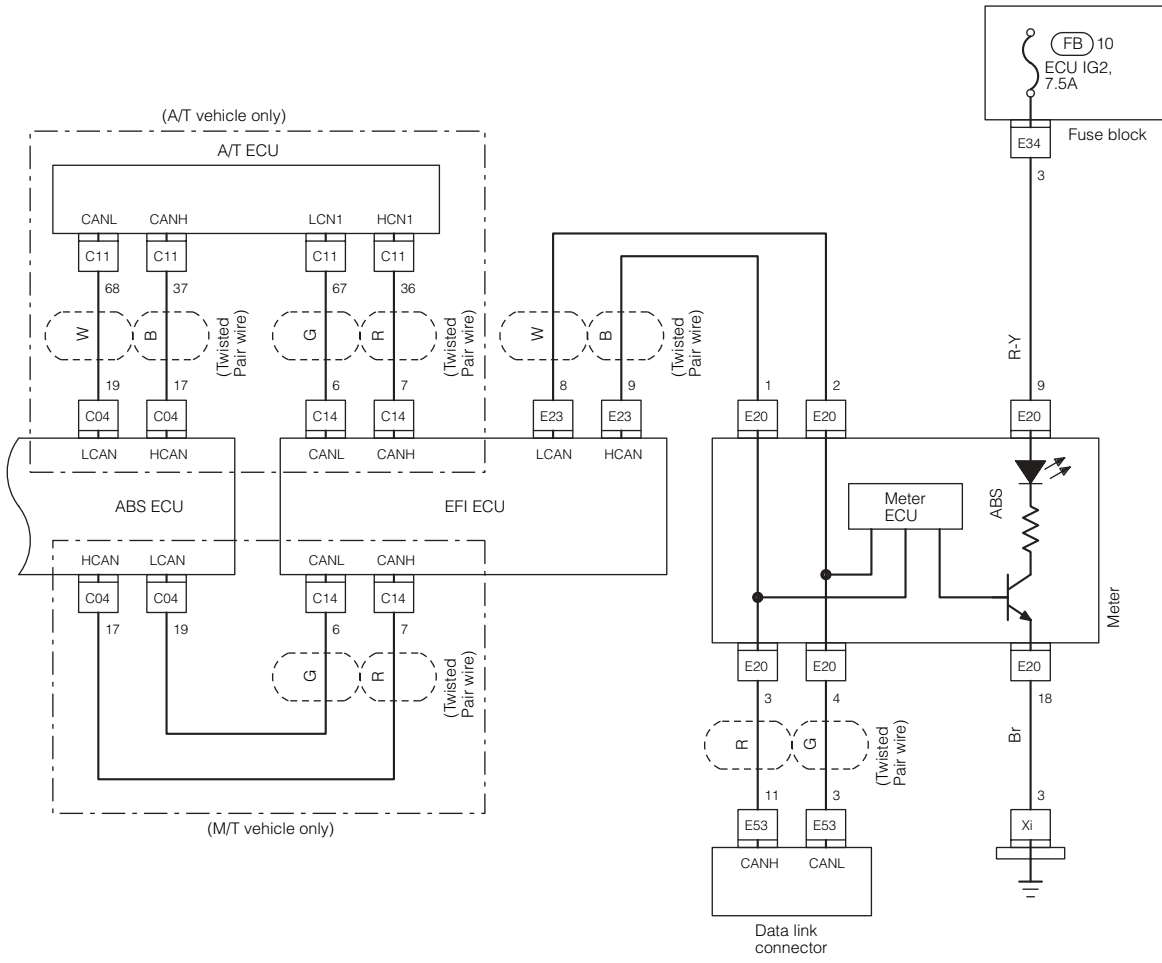


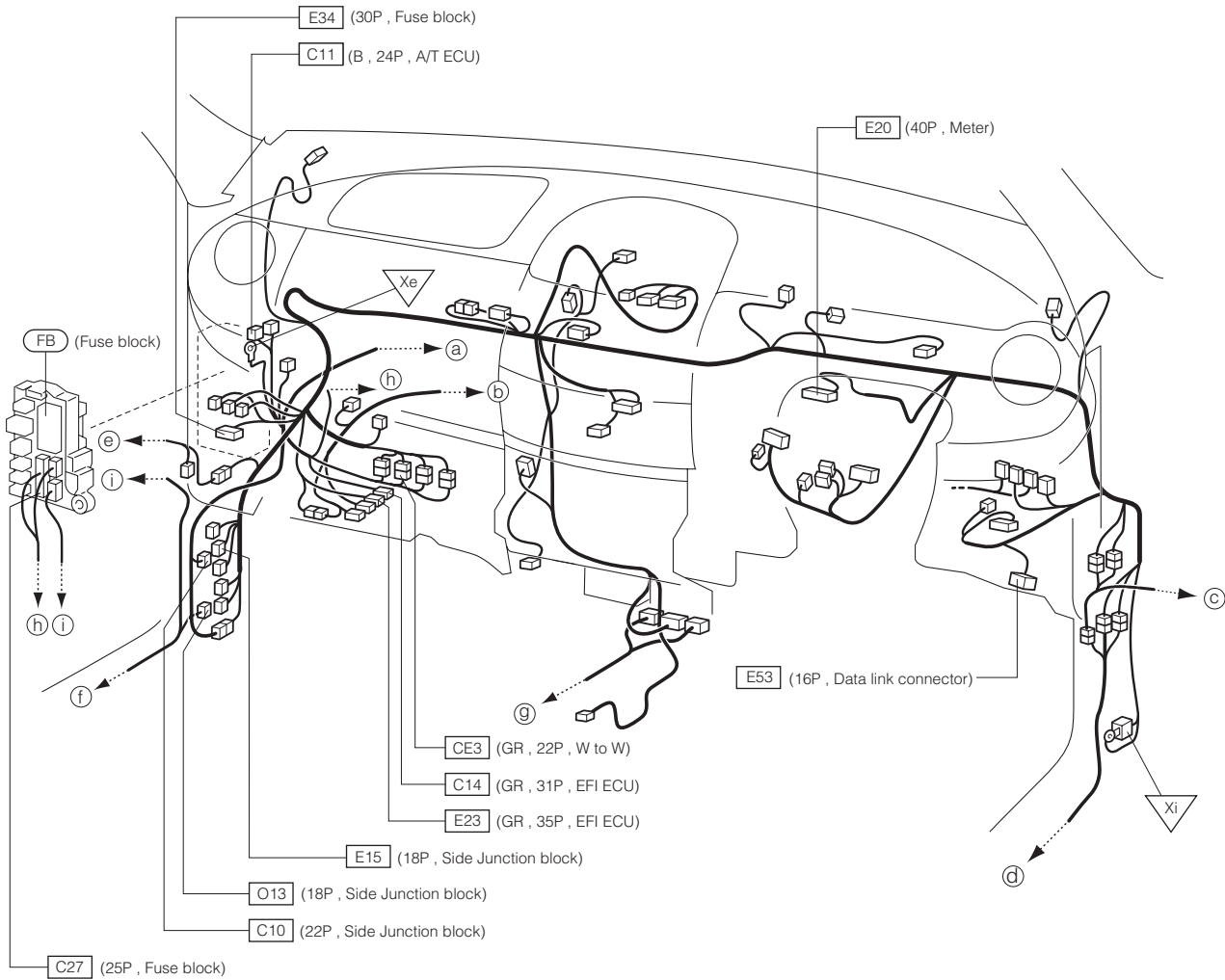


# D-61

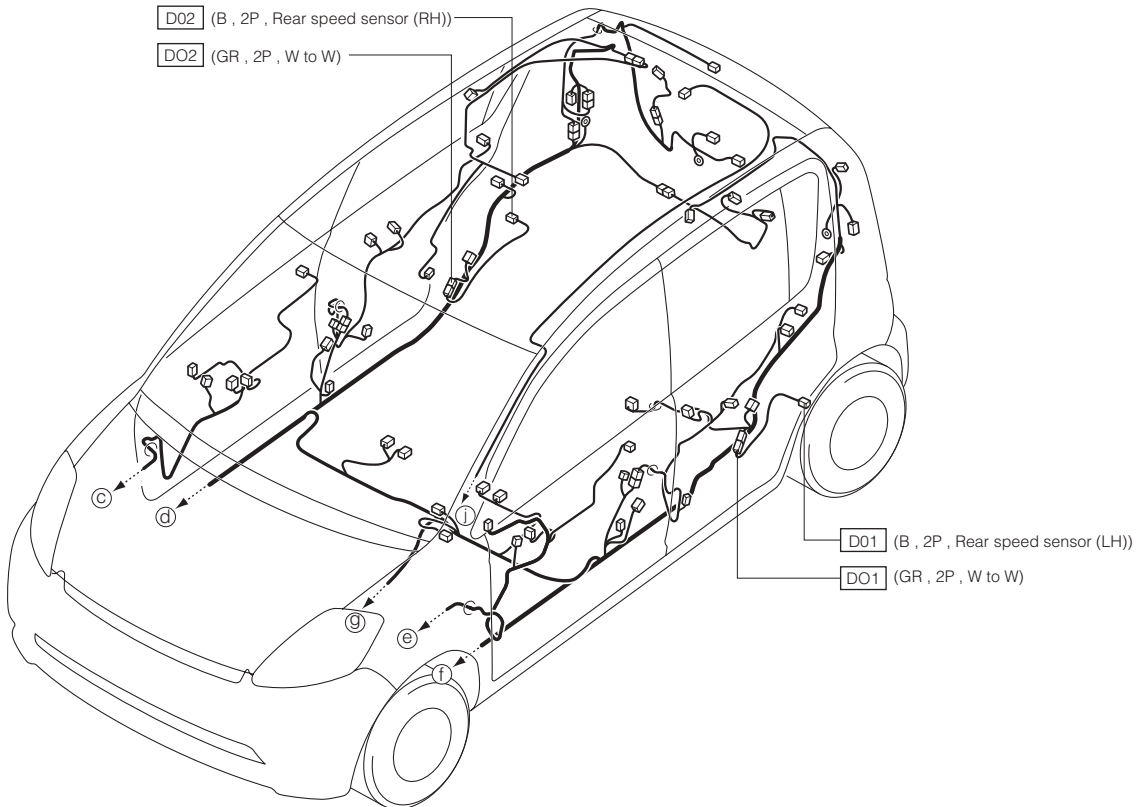
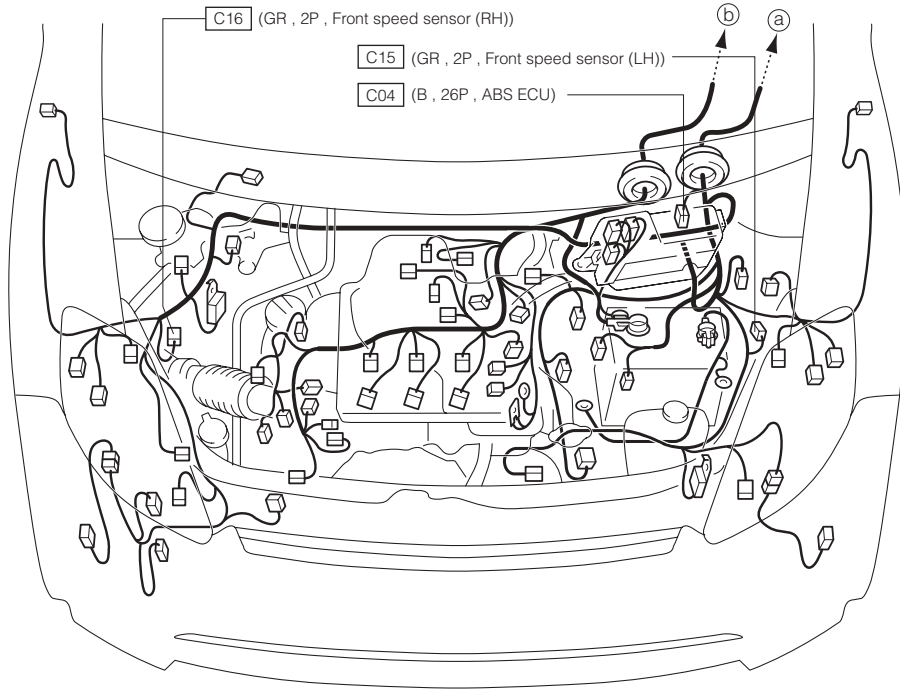
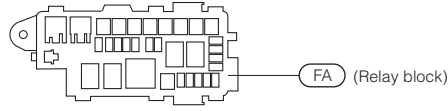
## 6 ABS 6-1 RHD VEHICLE



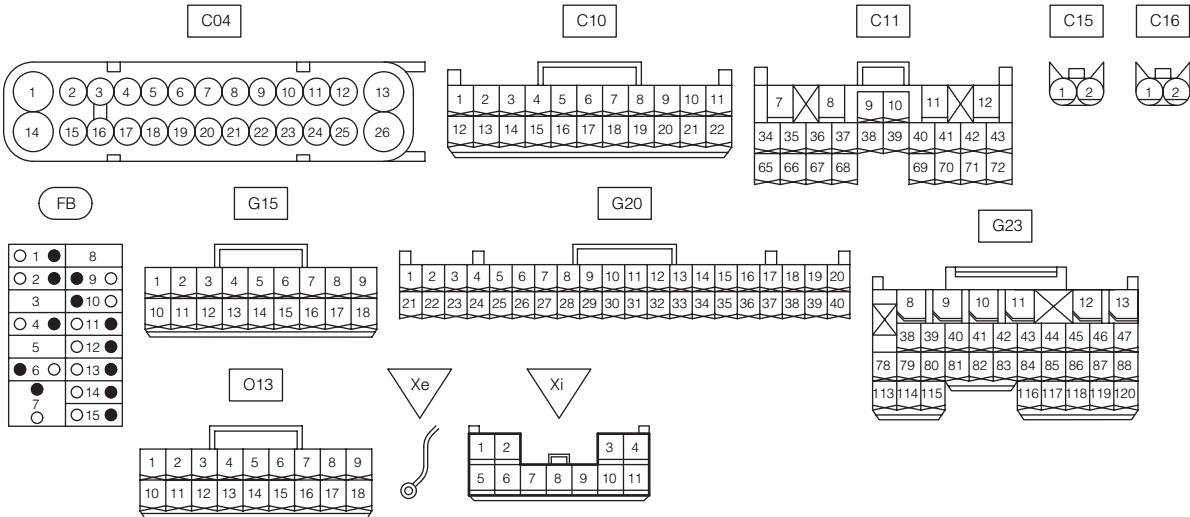
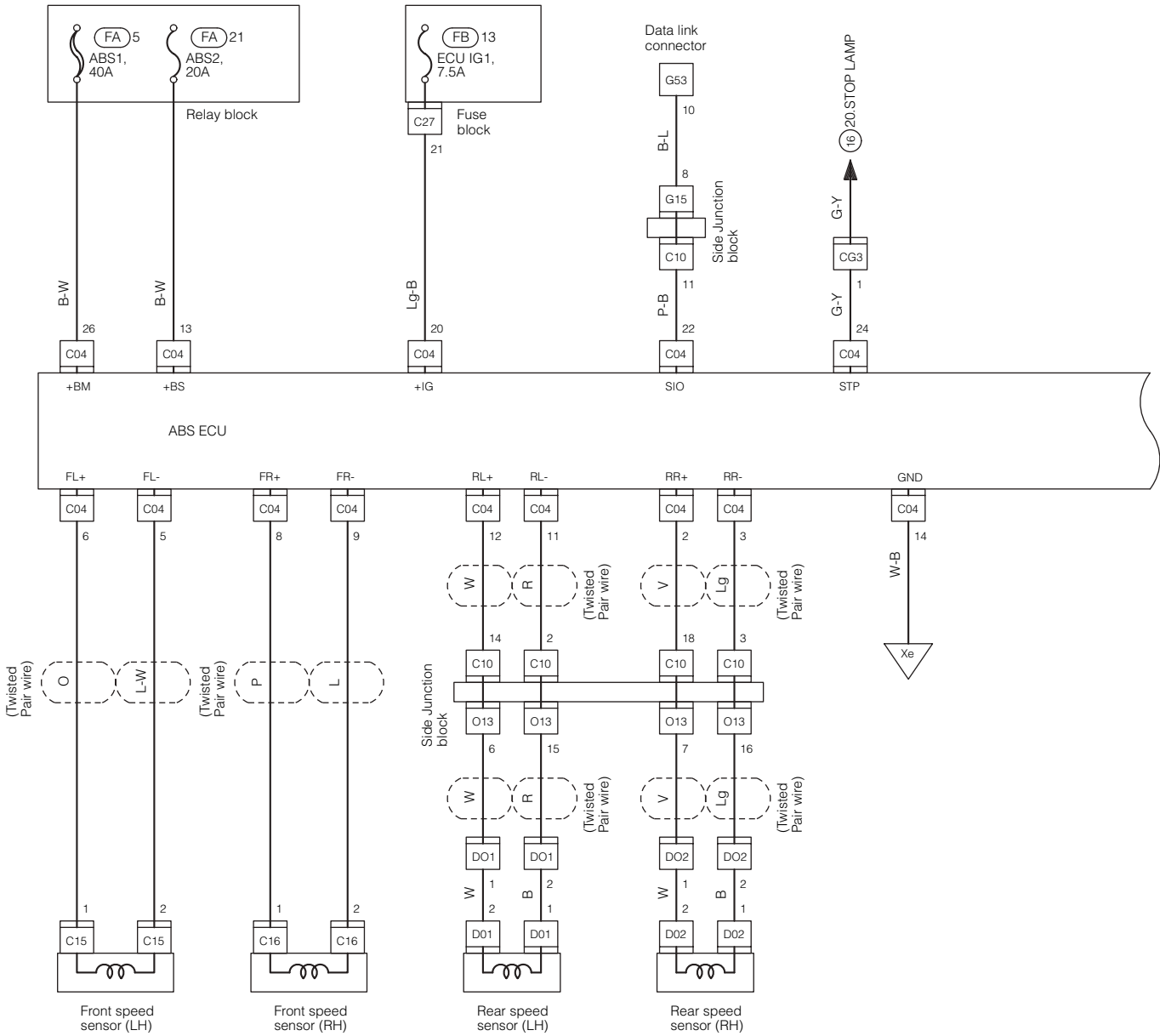


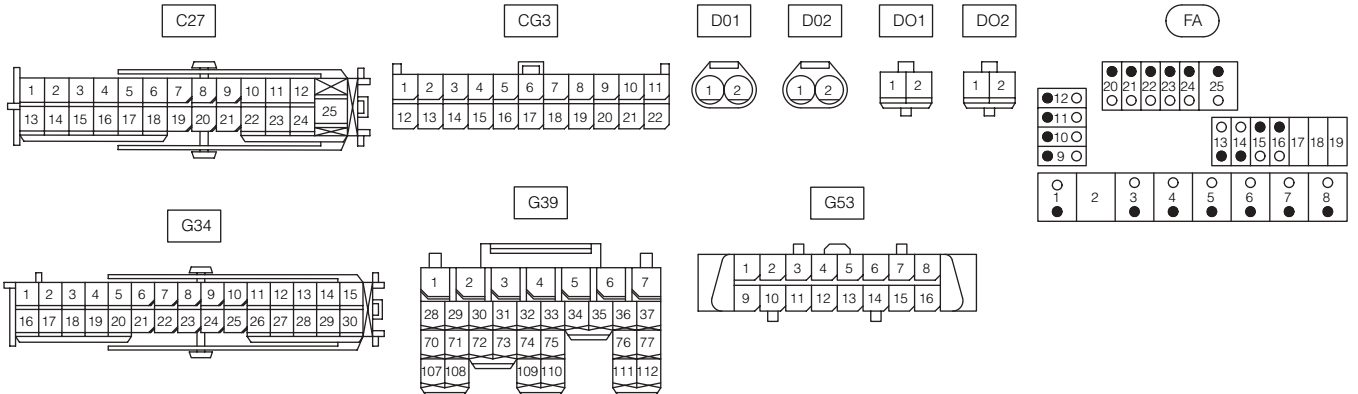
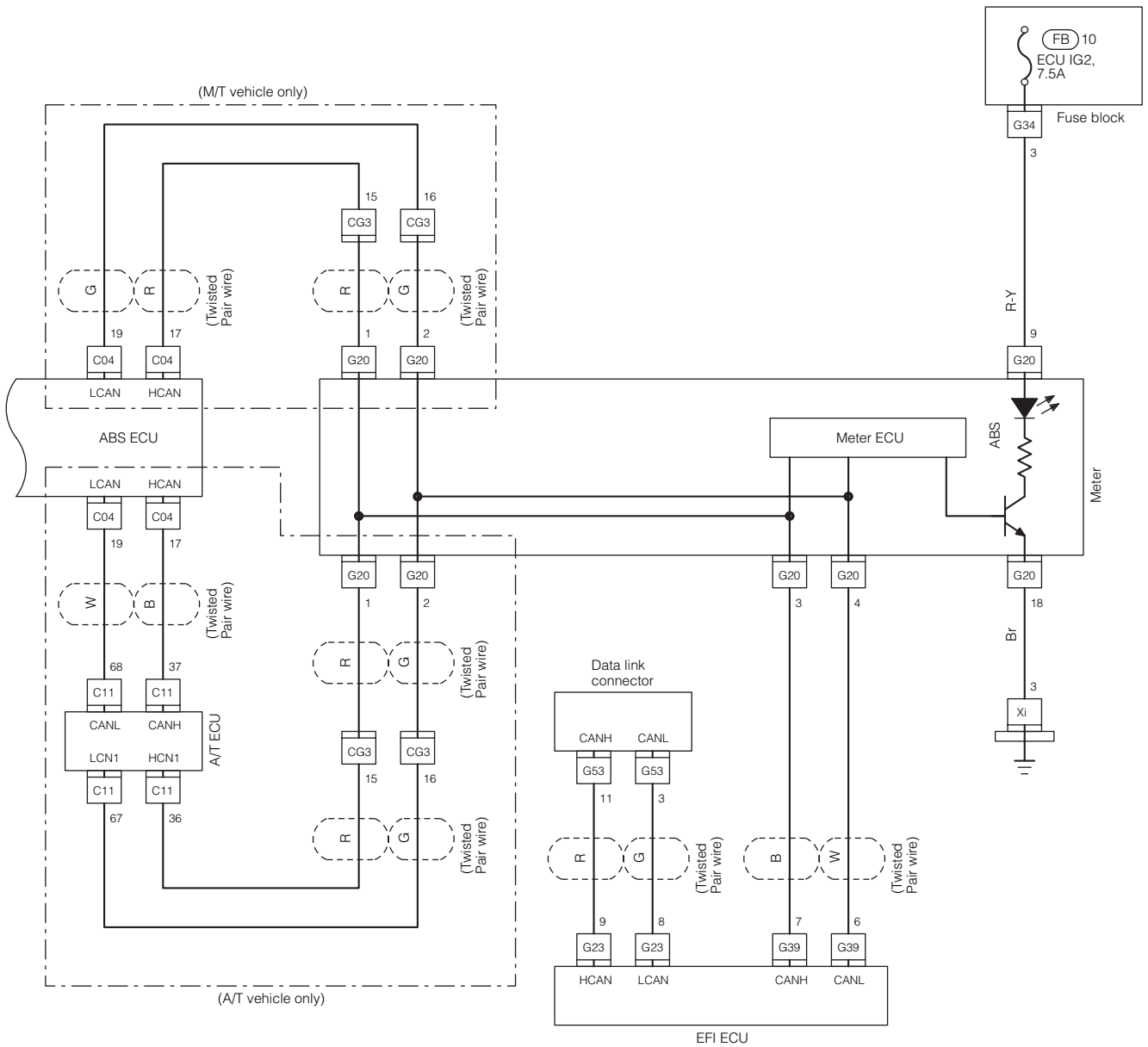


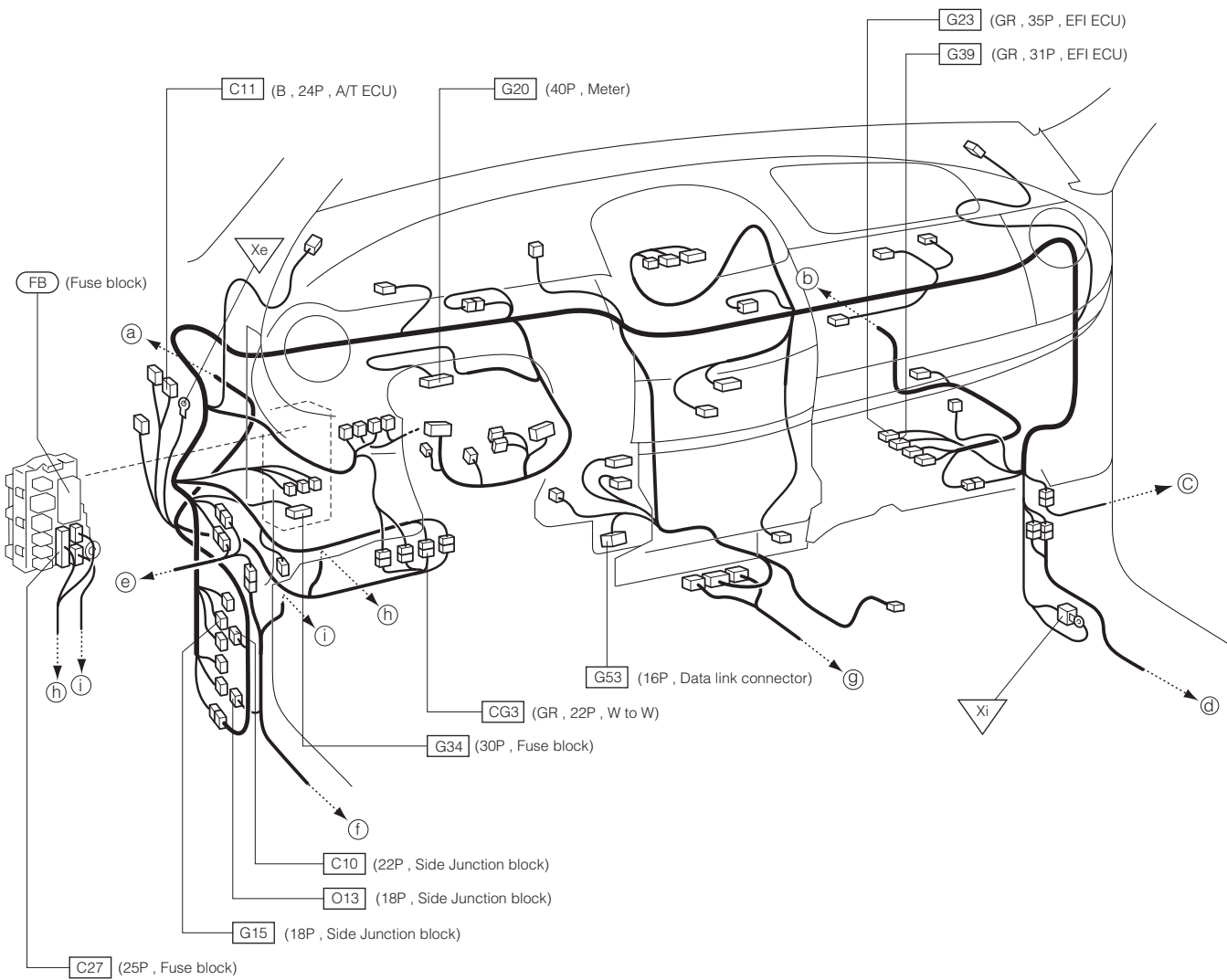


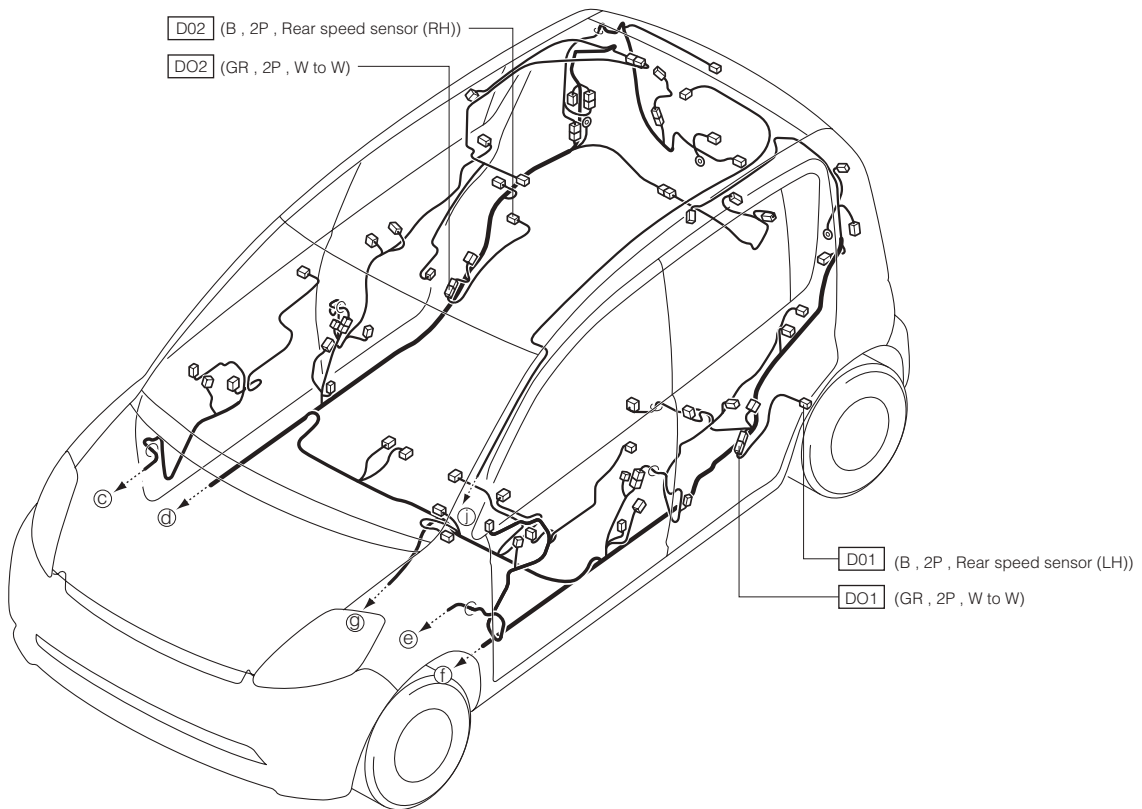
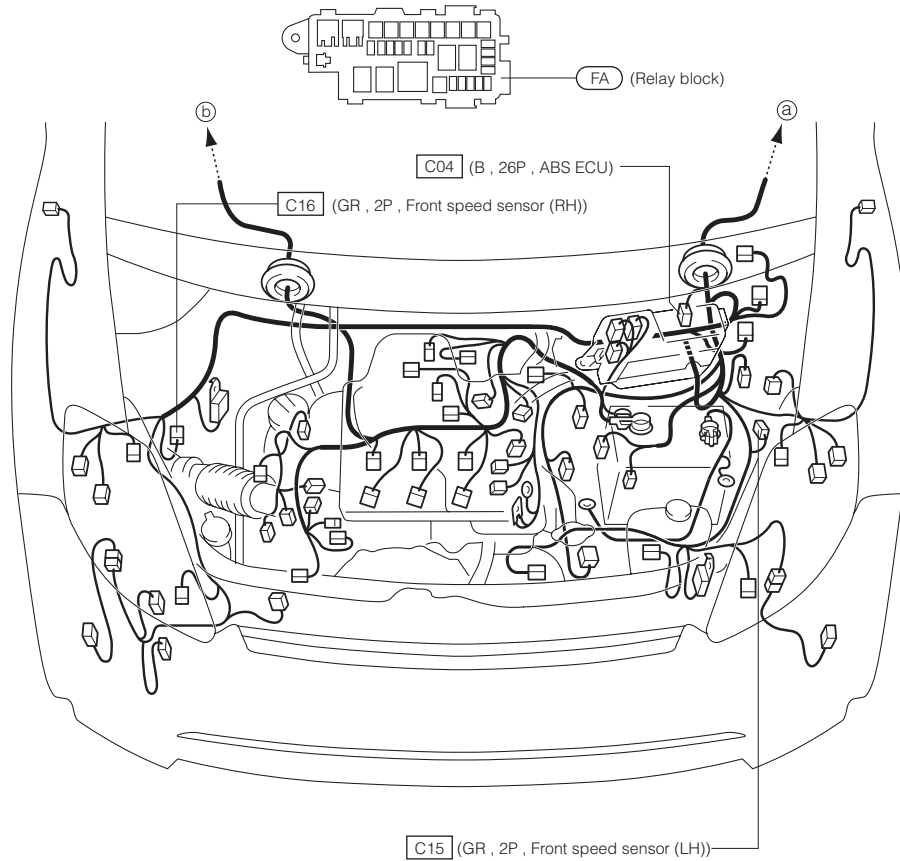


## 6-2 LHD VEHICLE

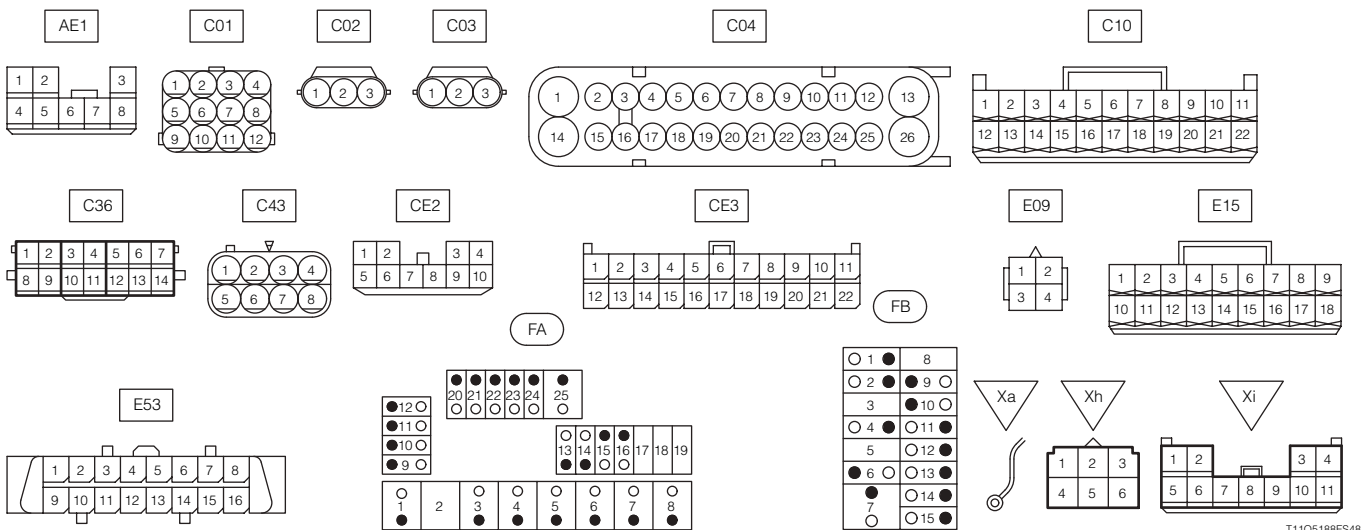
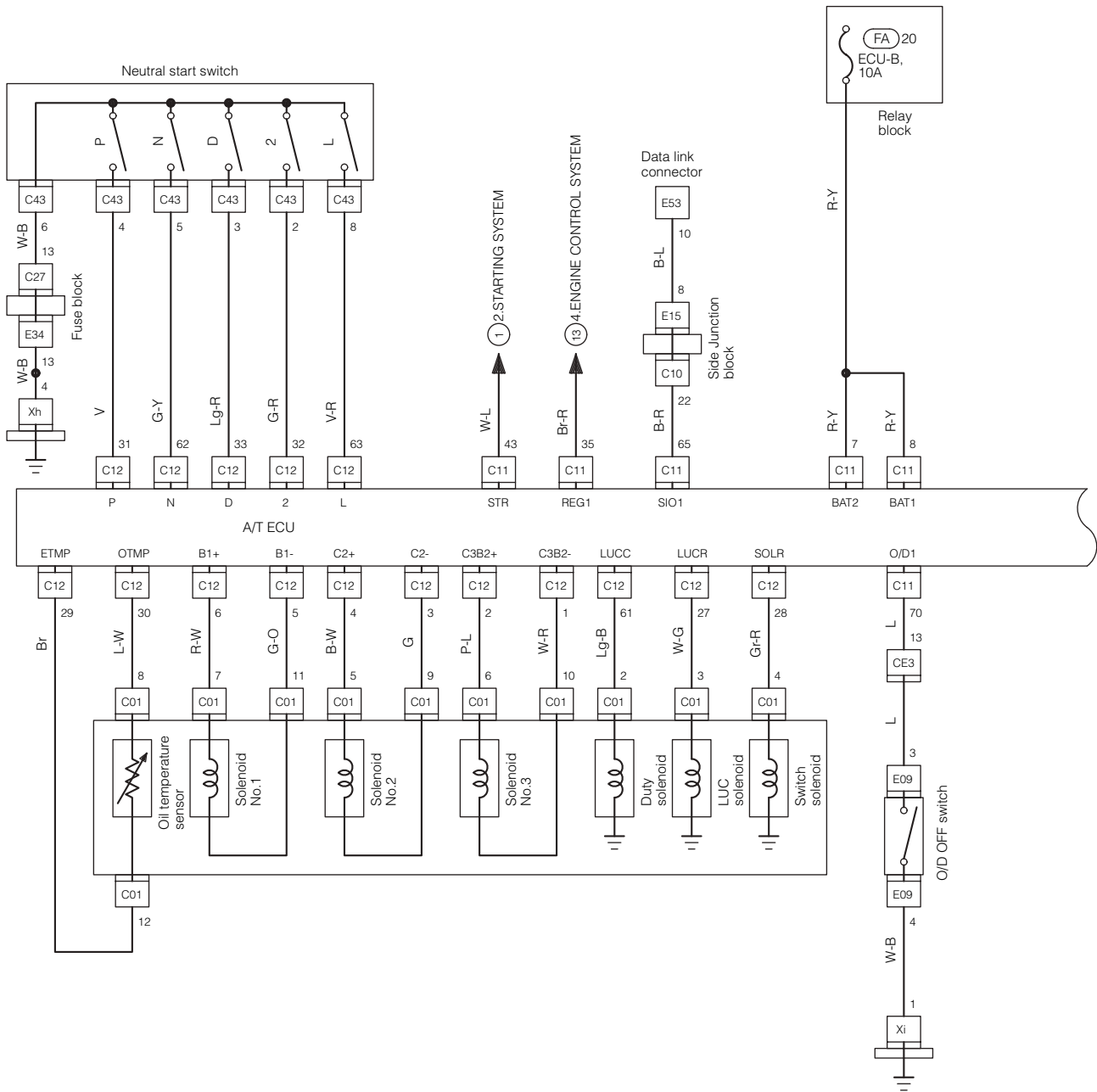


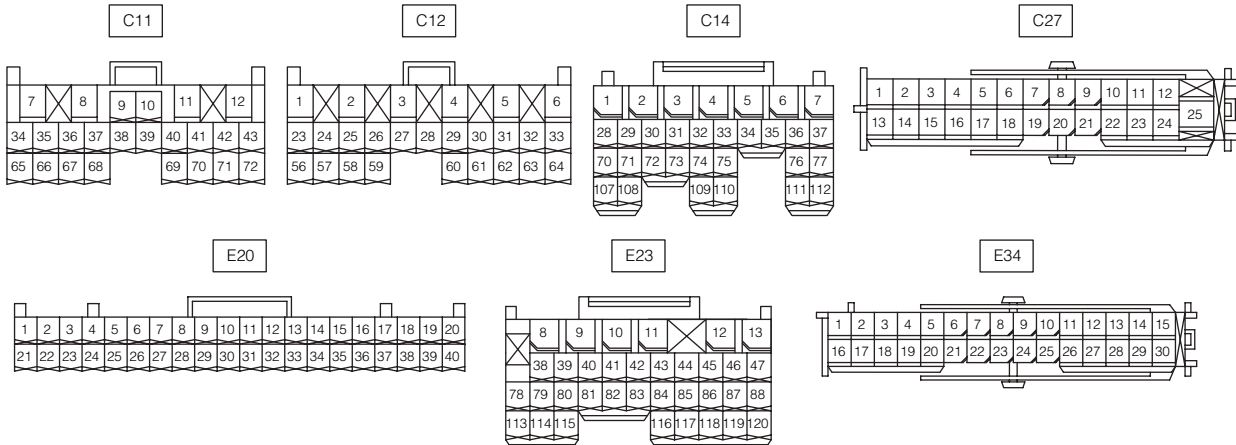
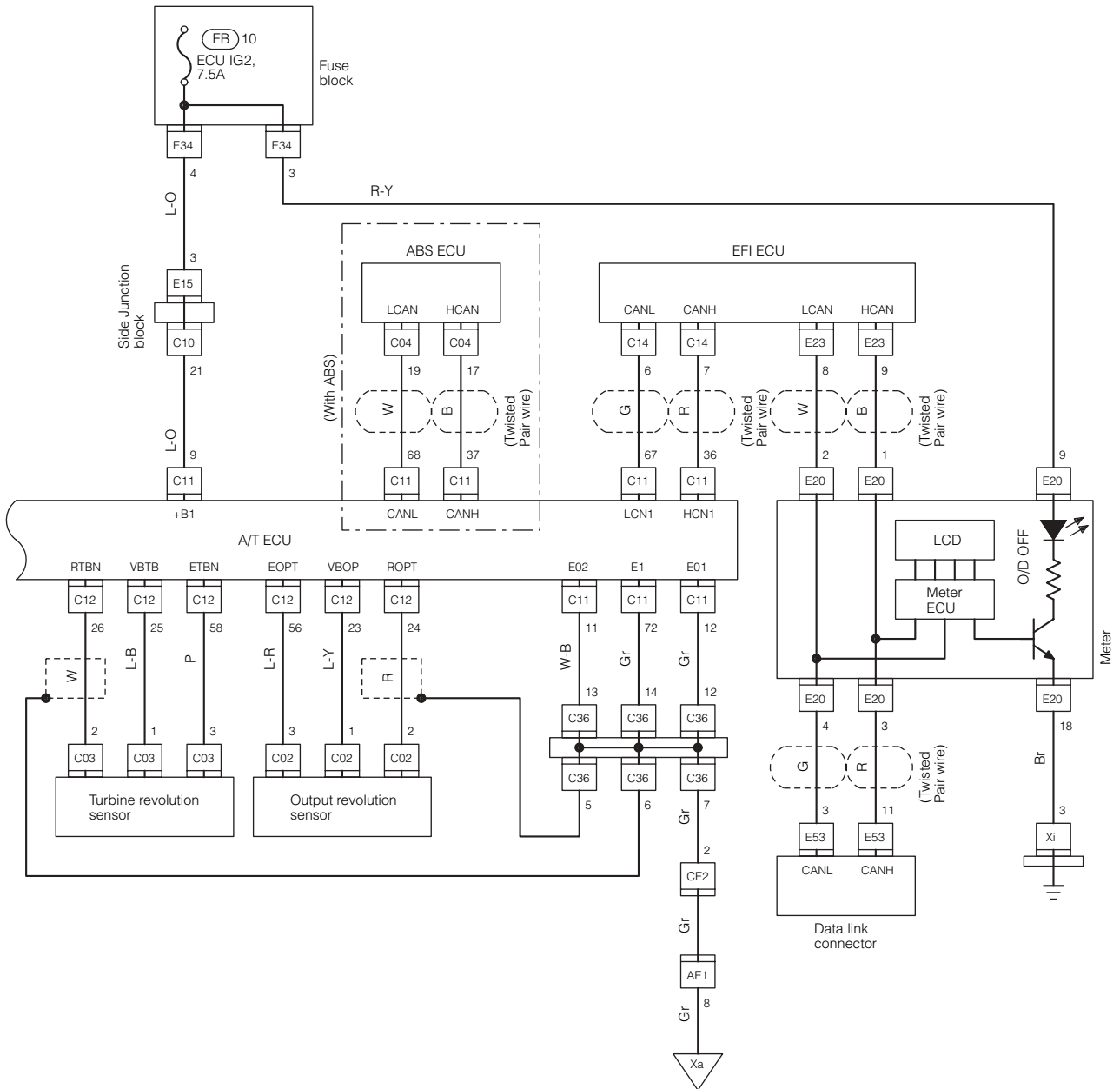


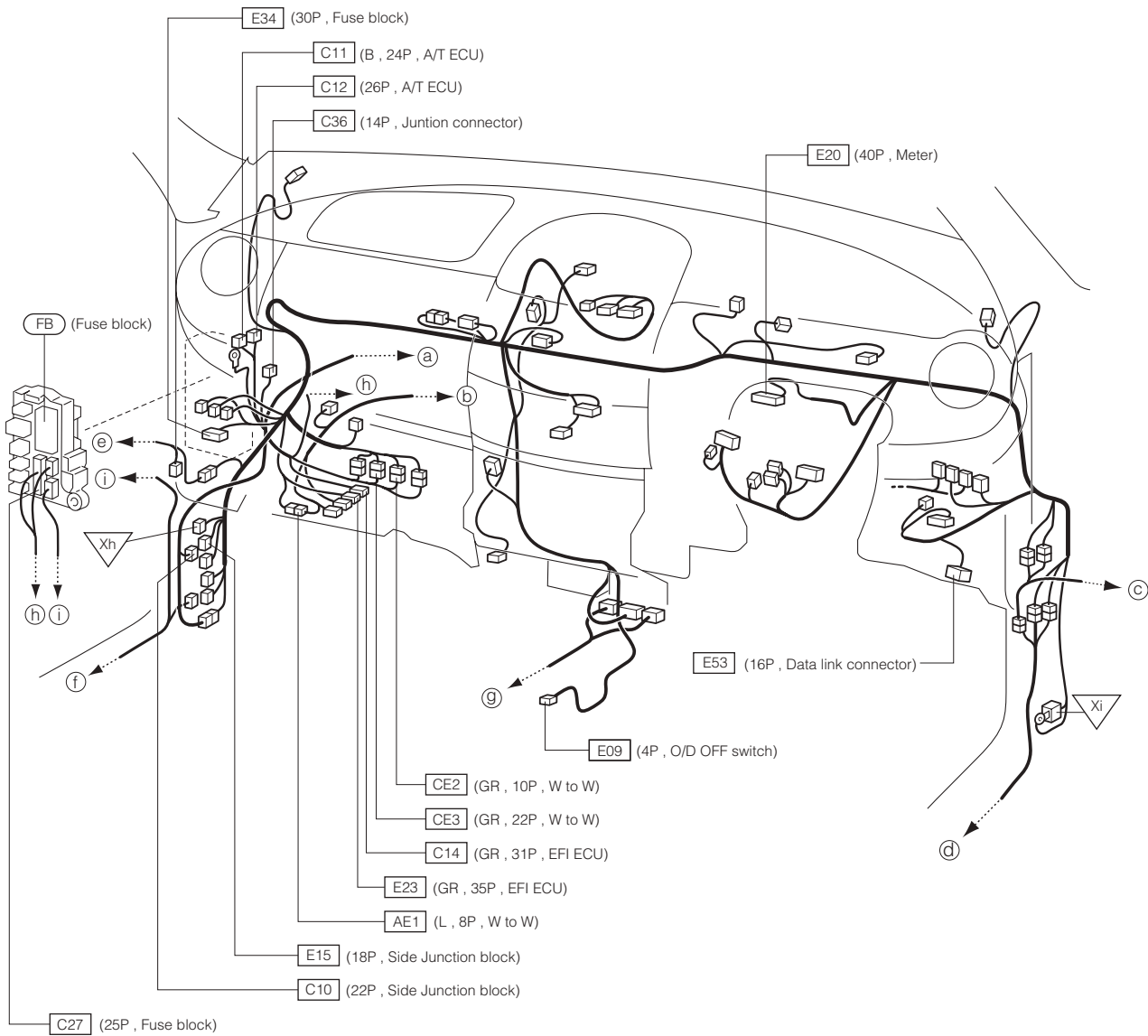




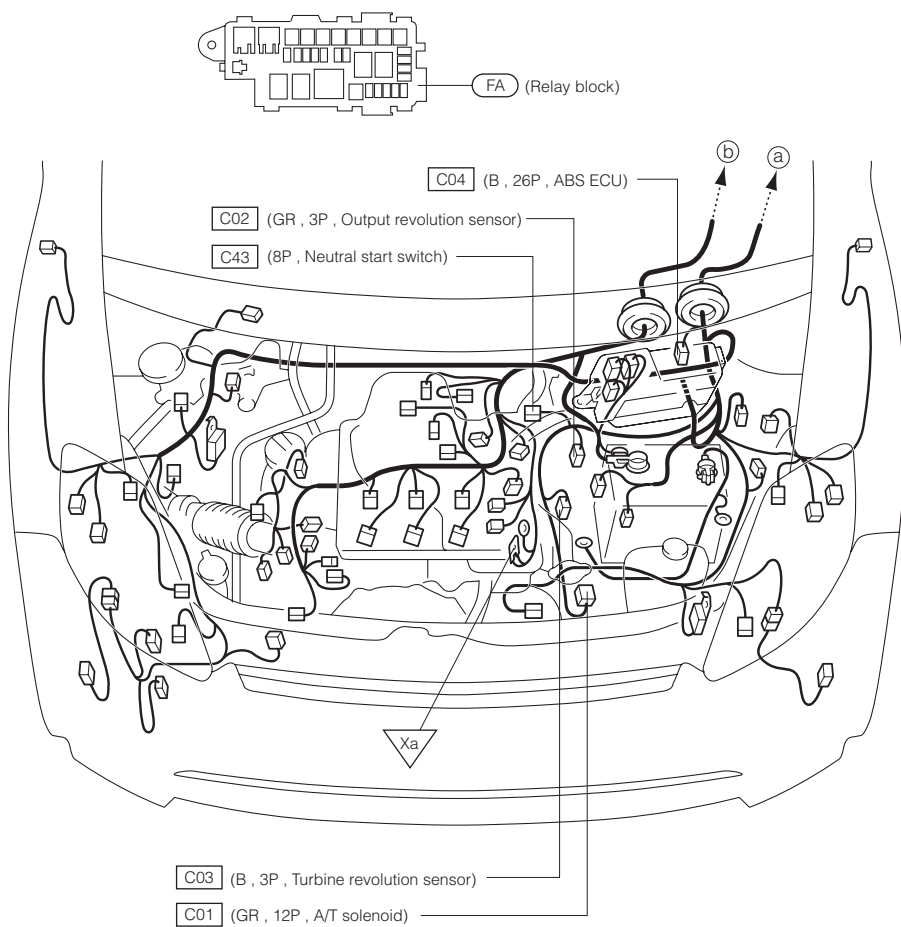
## 7 A/T CONTROL 7-1 RHD VEHICLE



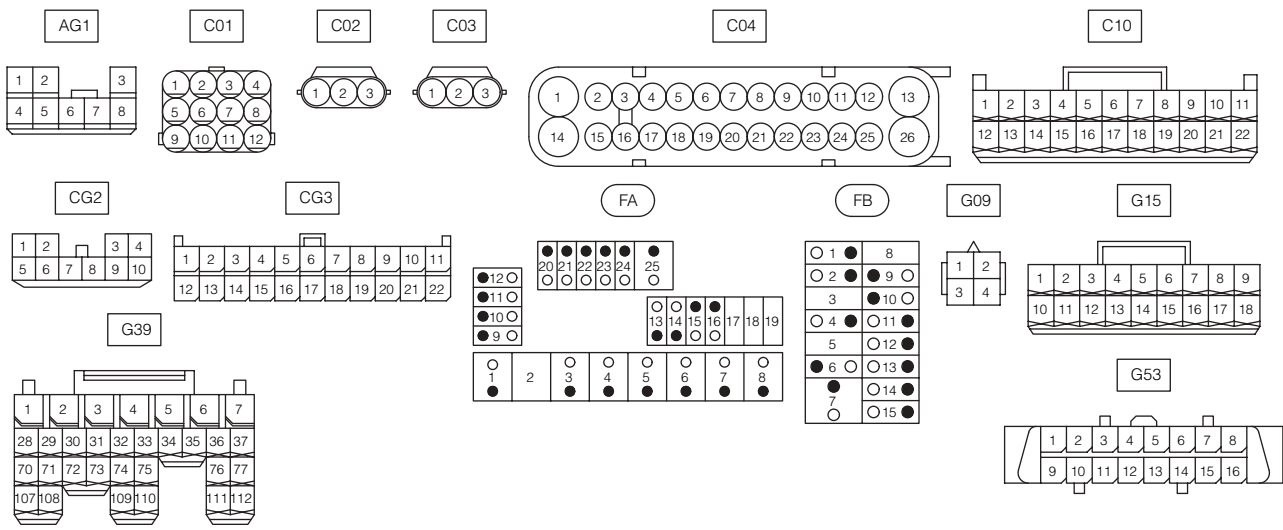
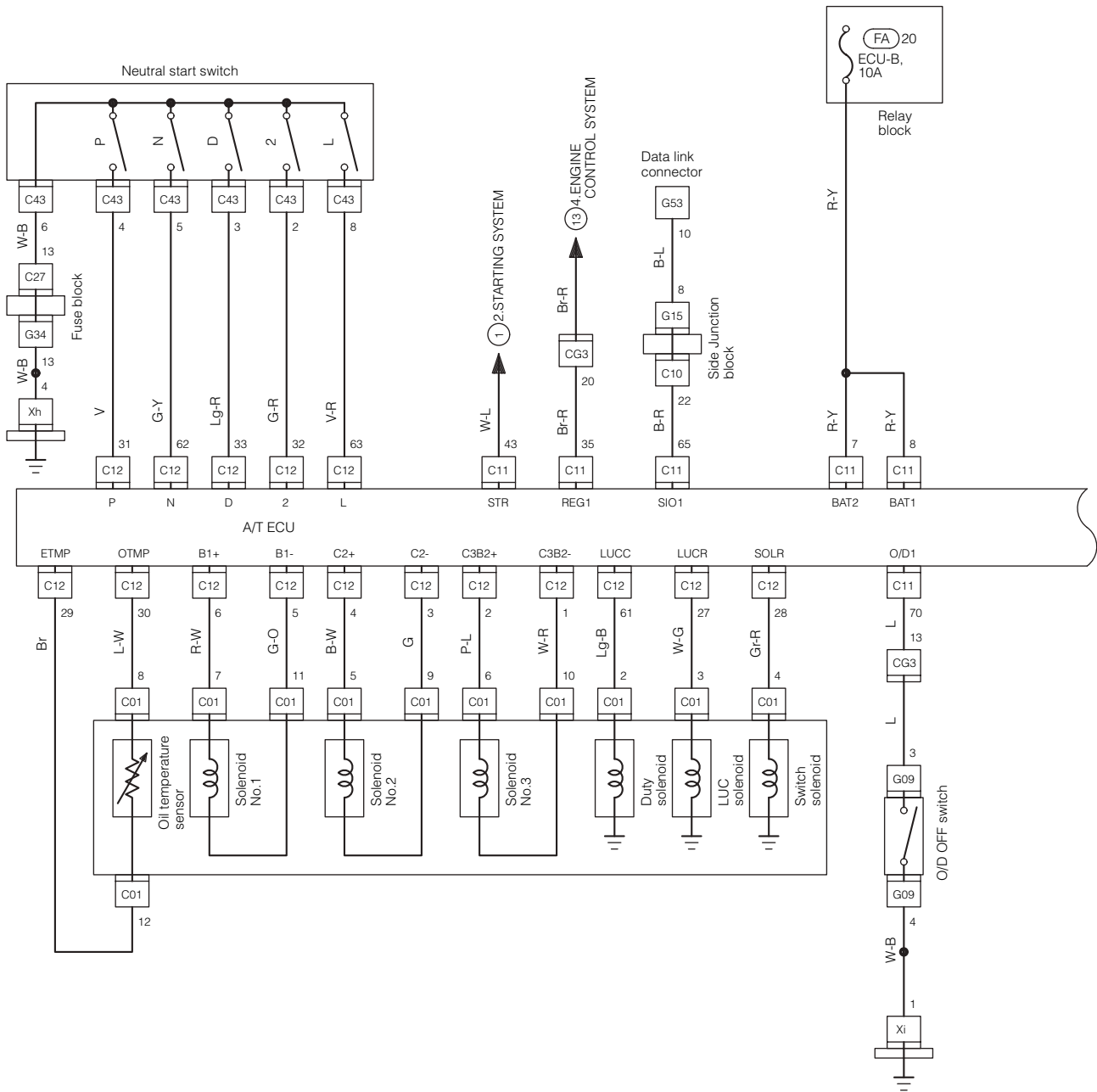


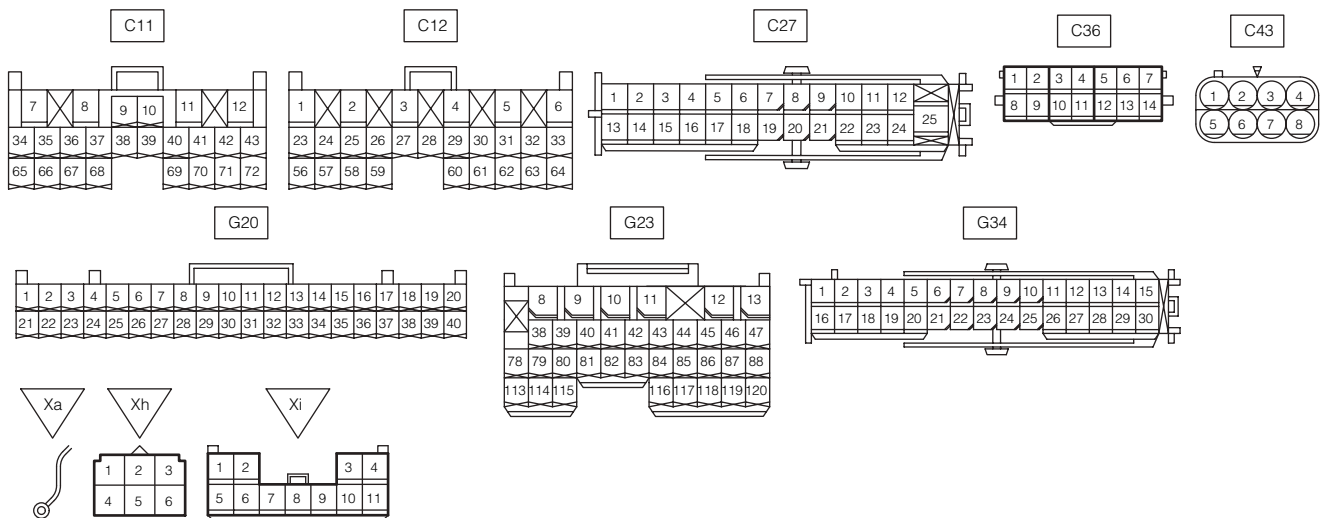
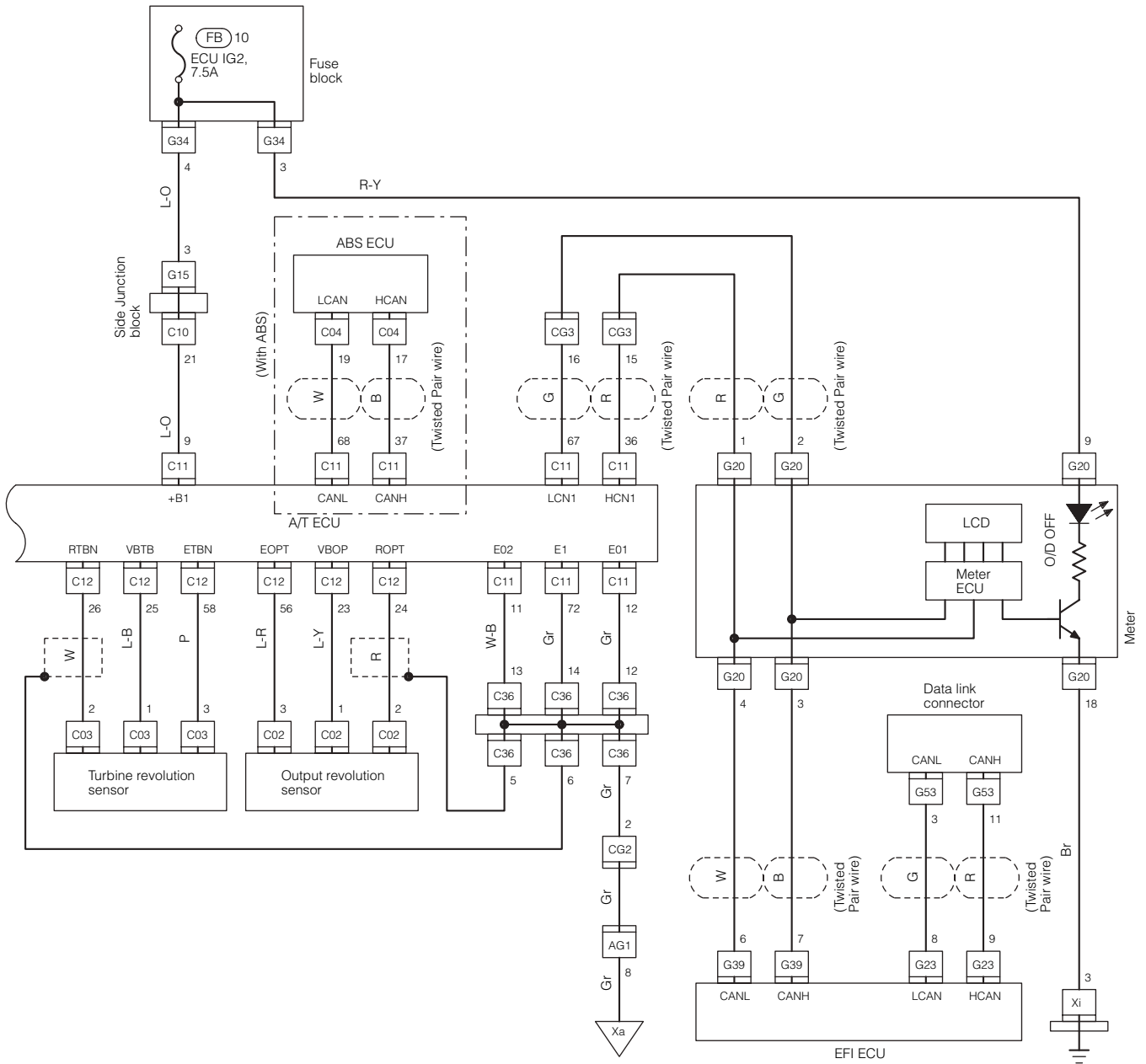


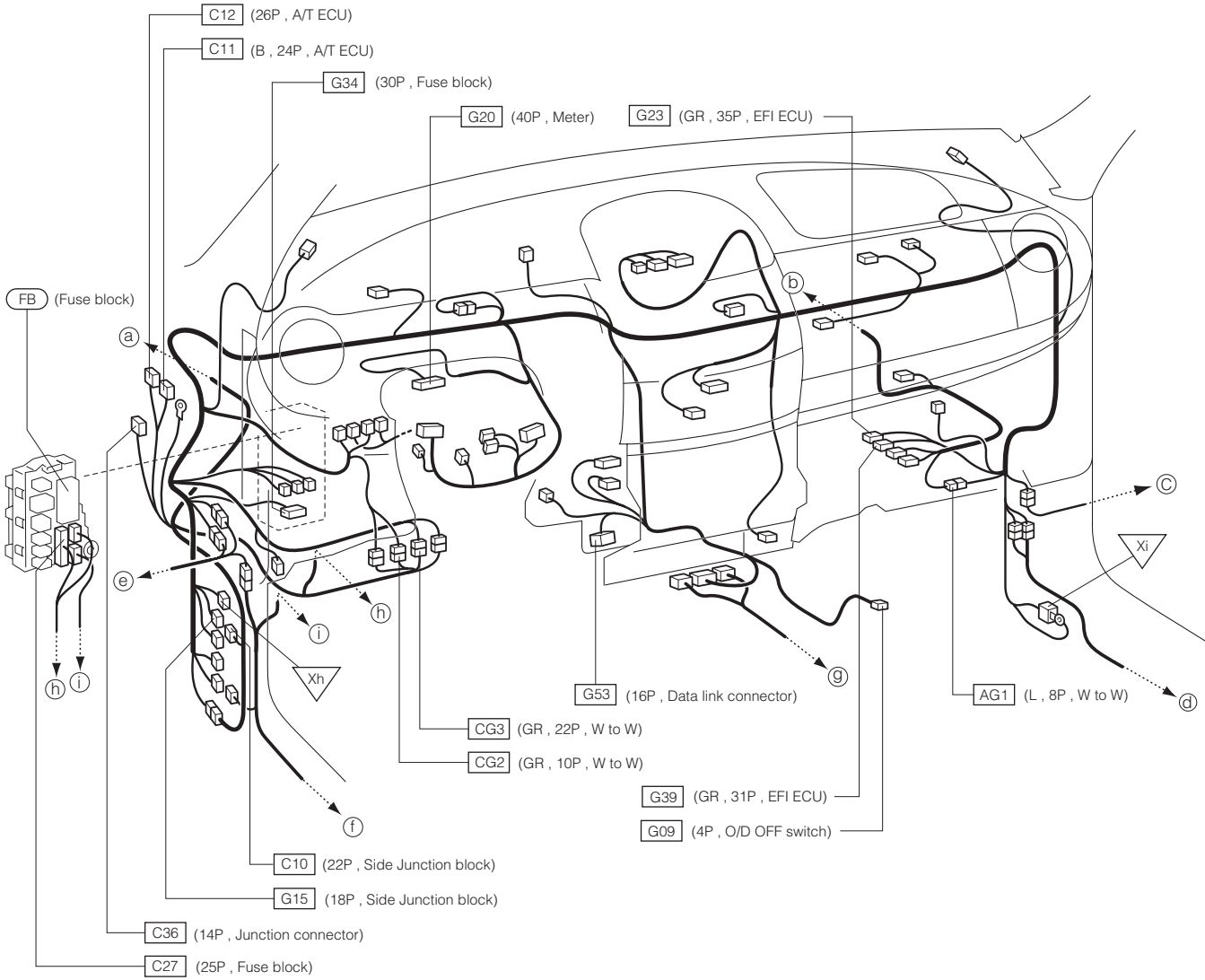


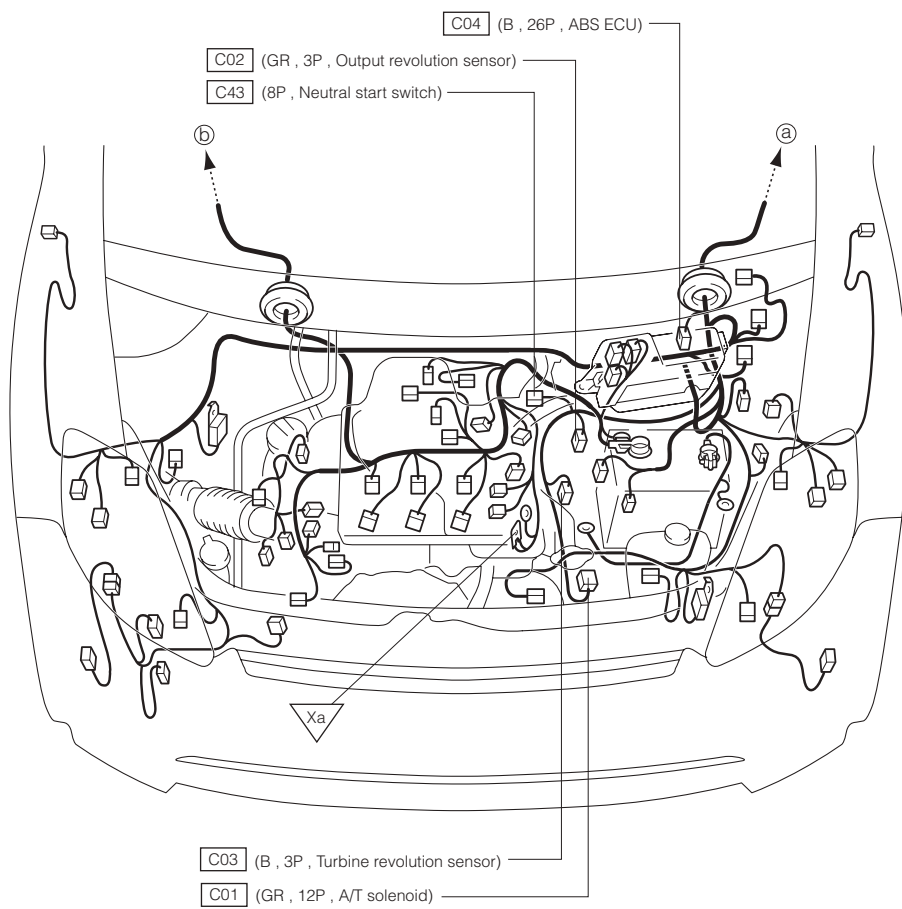
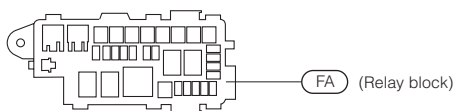


## 7-2 LHD VEHICLE

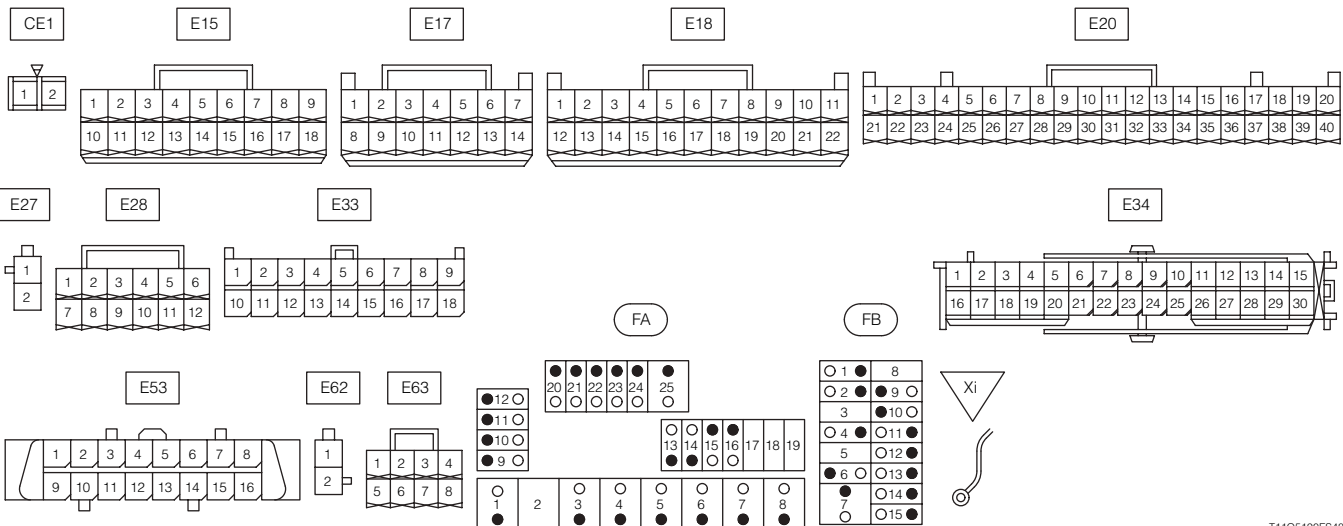
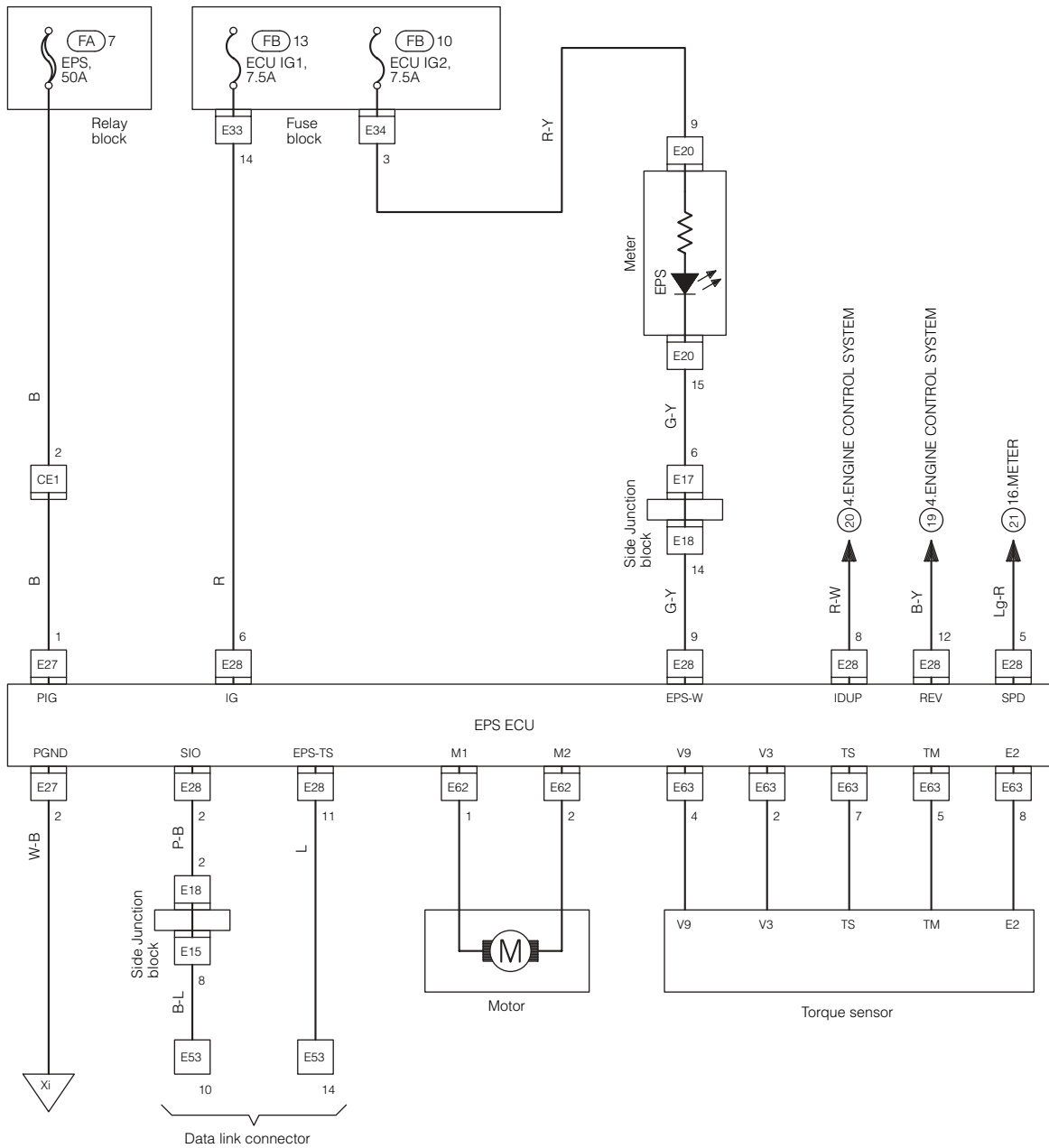




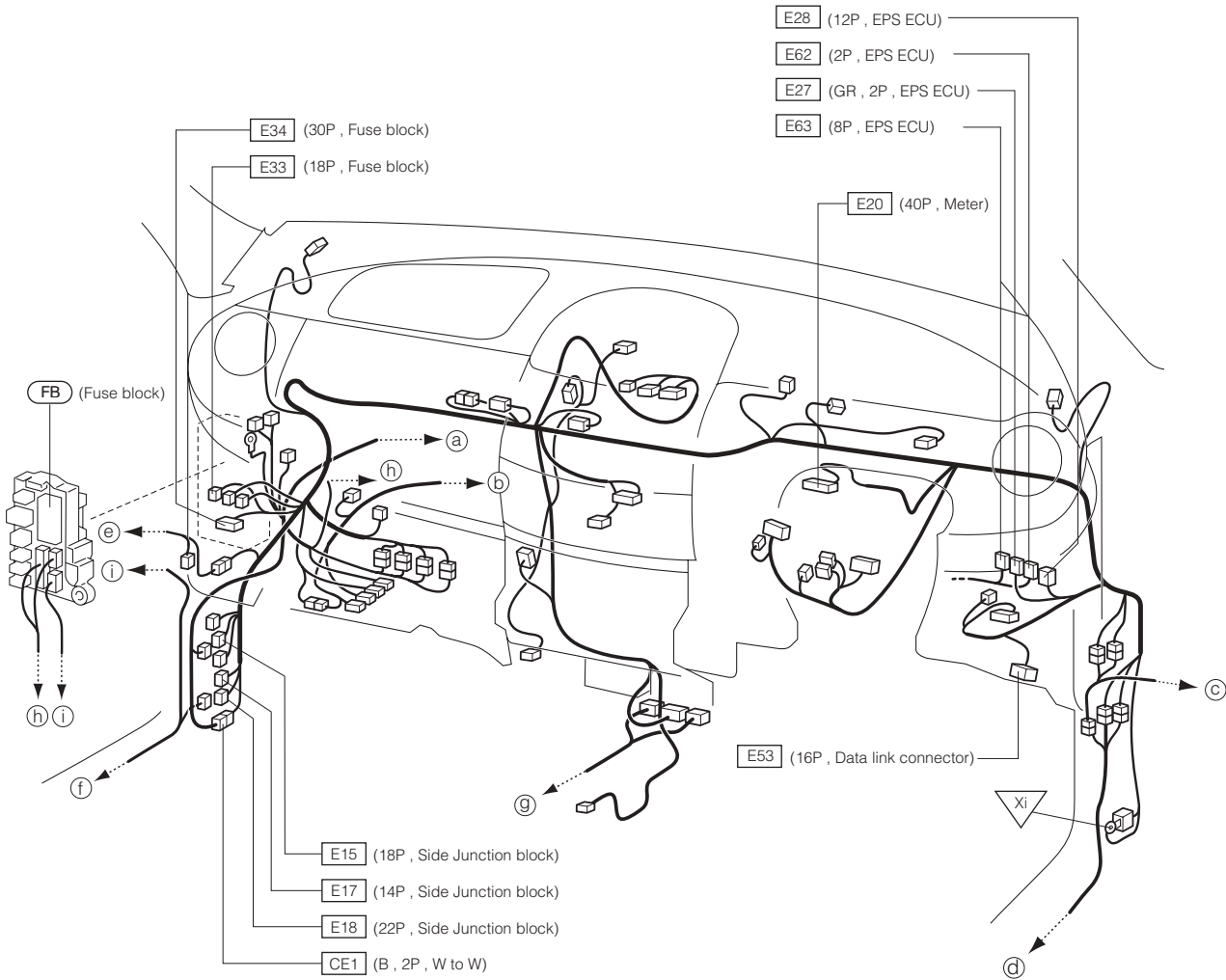




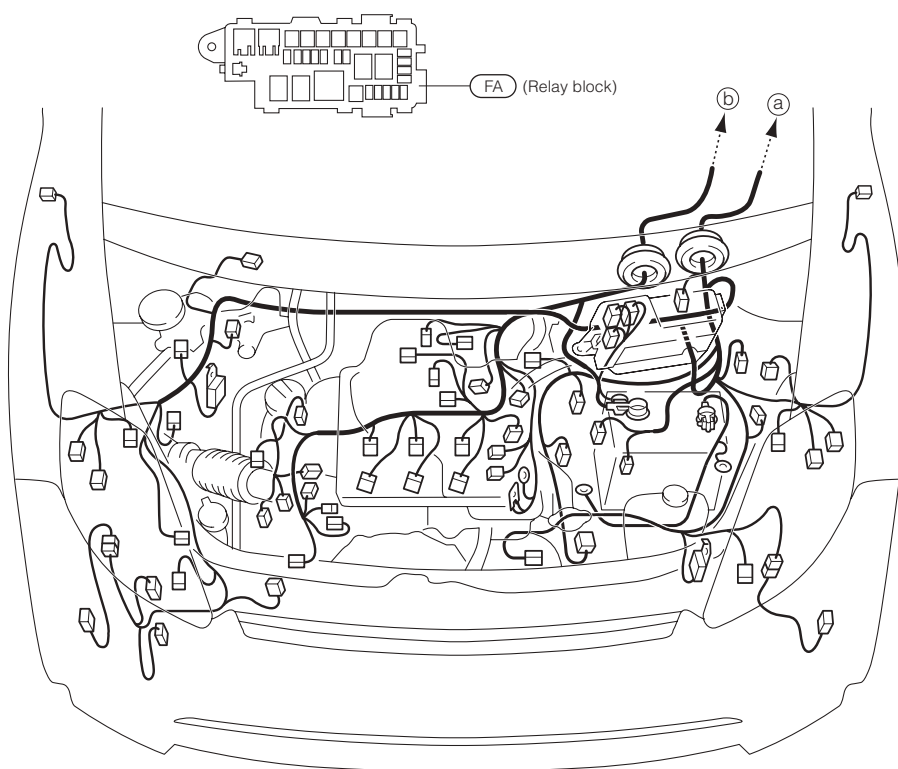
## 8 ELECTRIC POWER STEERING 8-1 RHD VEHICLE



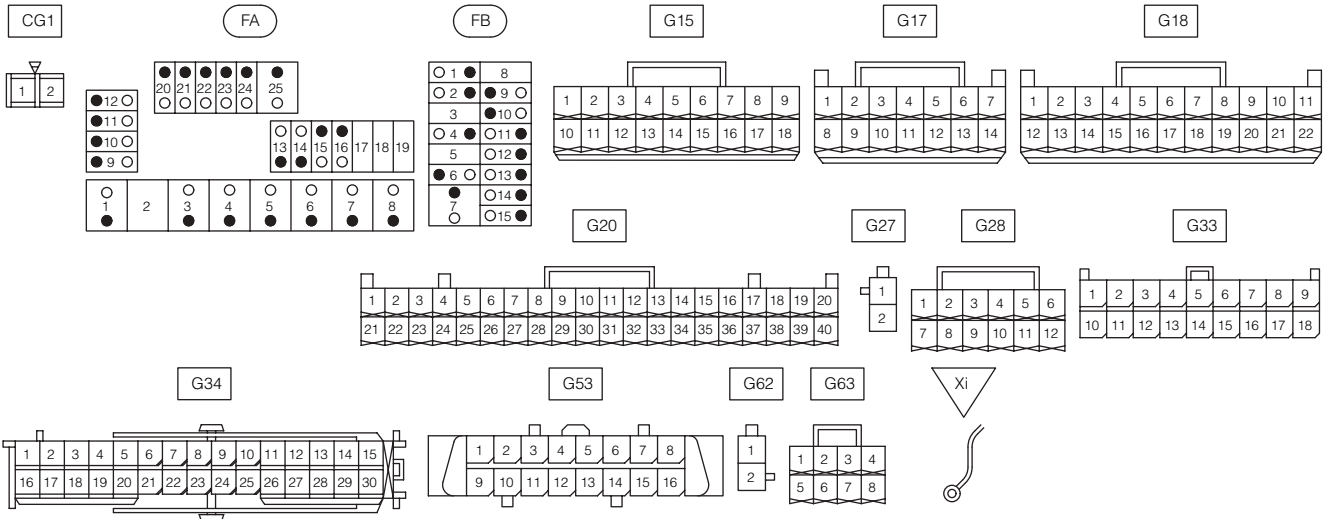
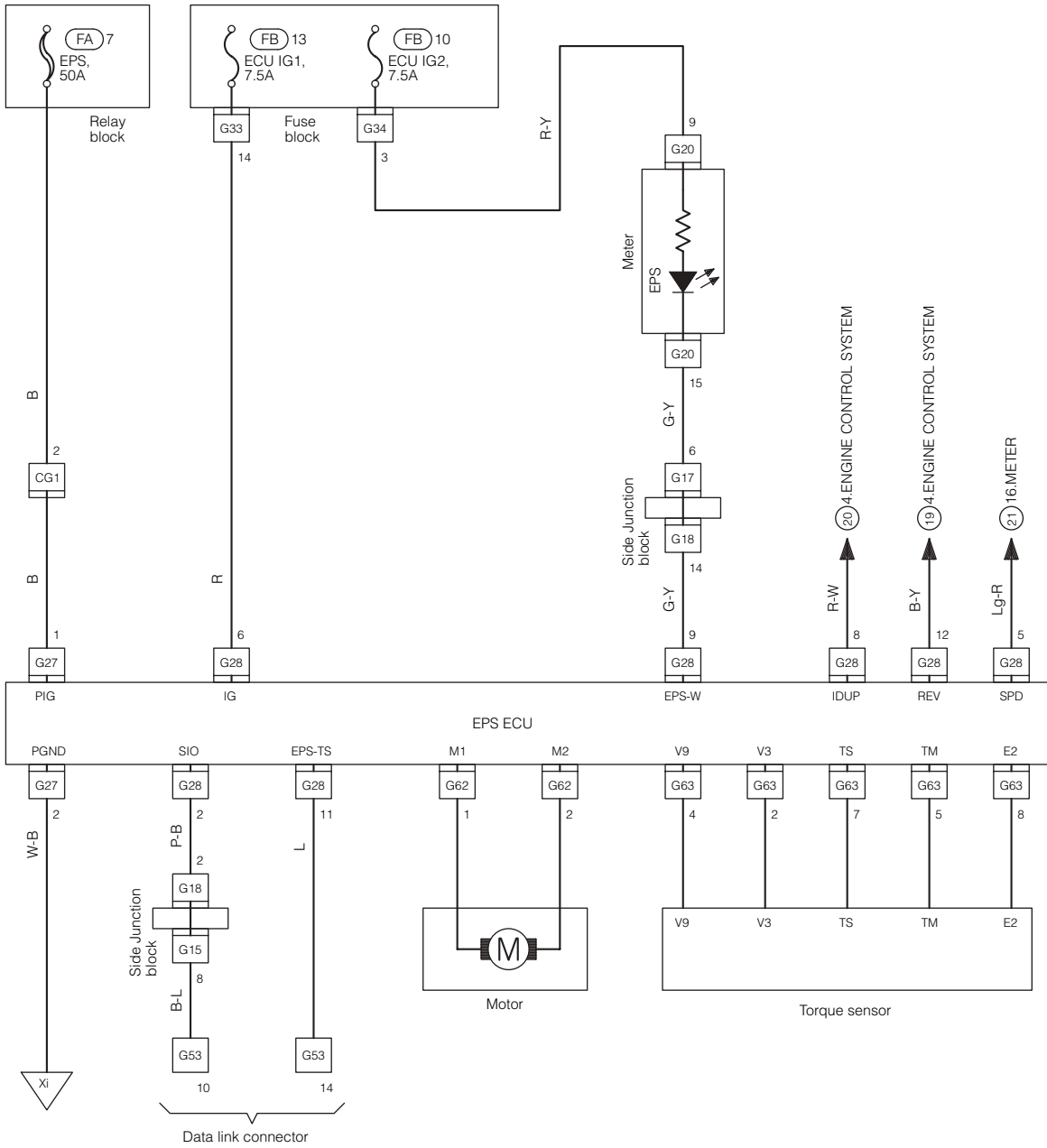
(MEMO)



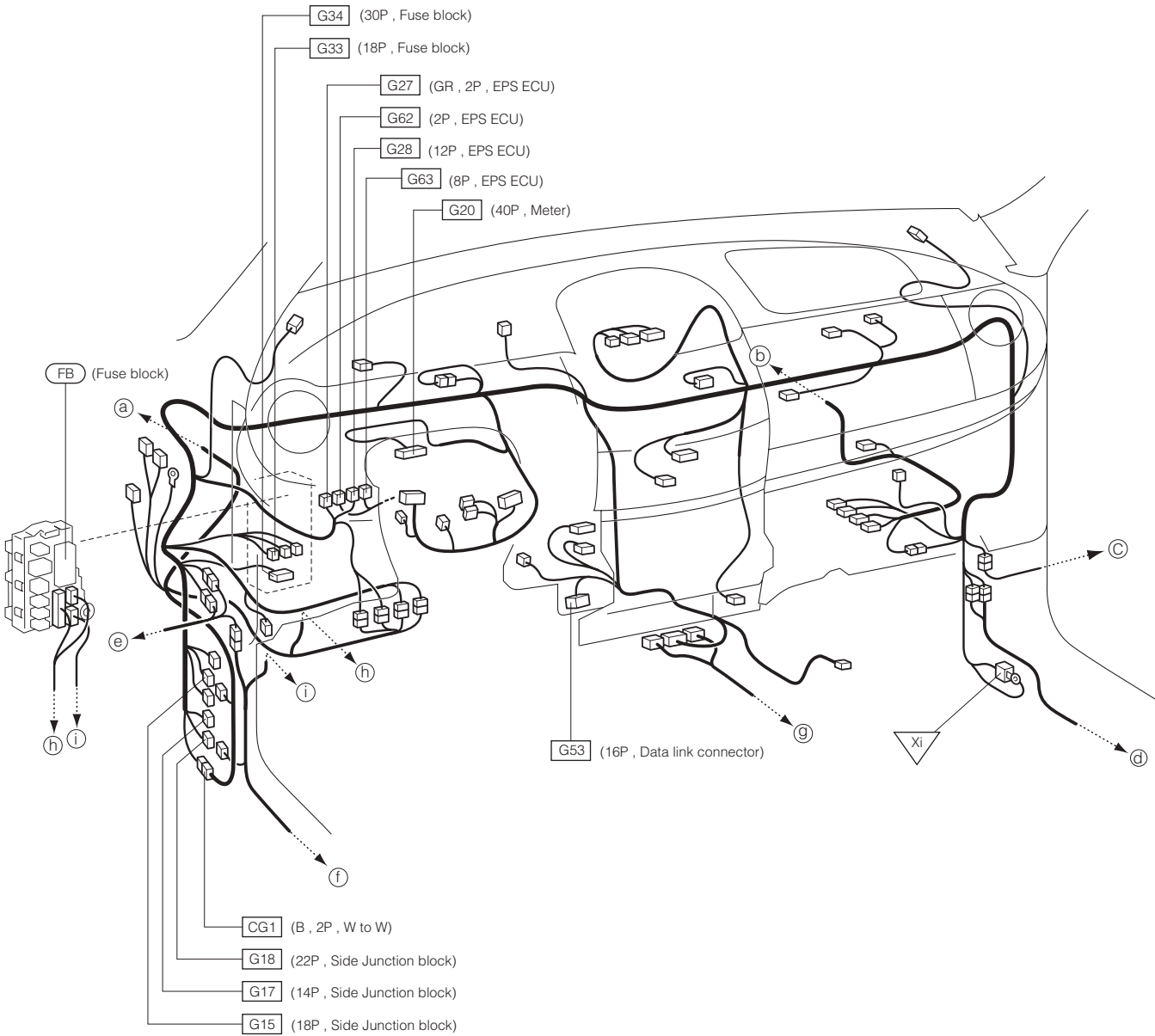


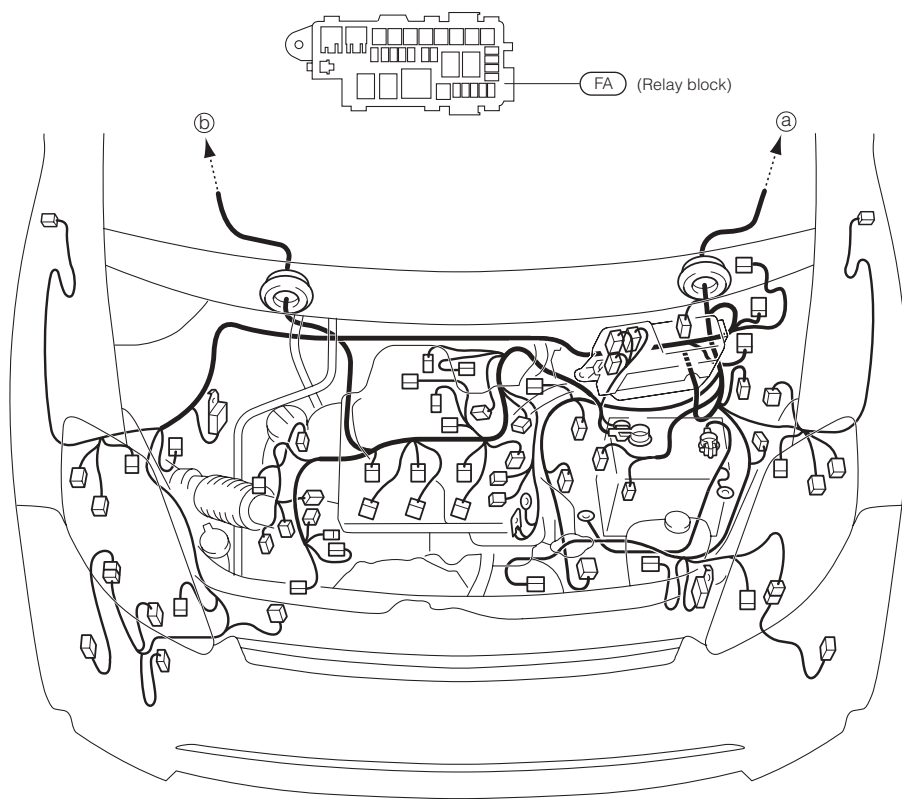


## 8-2 LHD VEHICLE

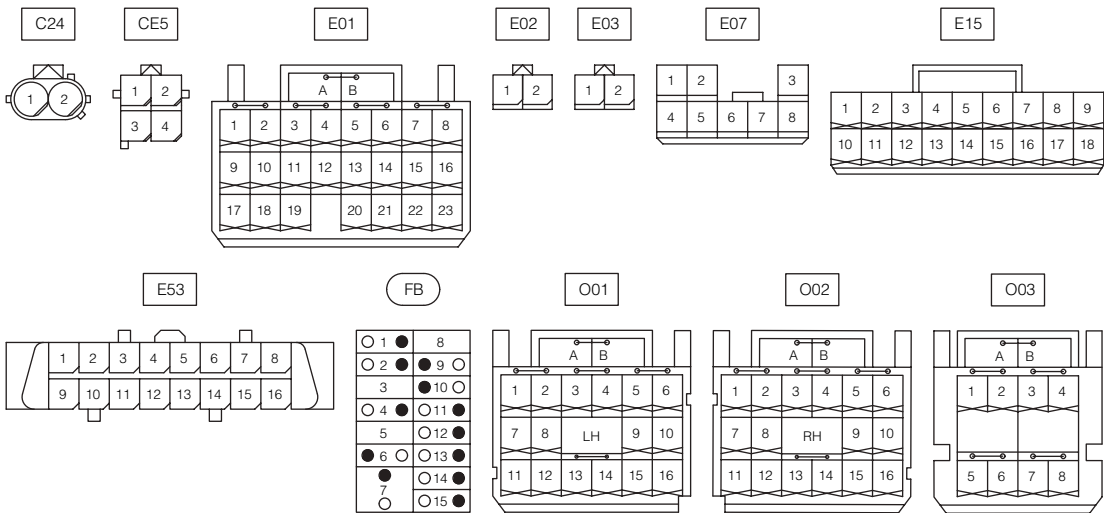
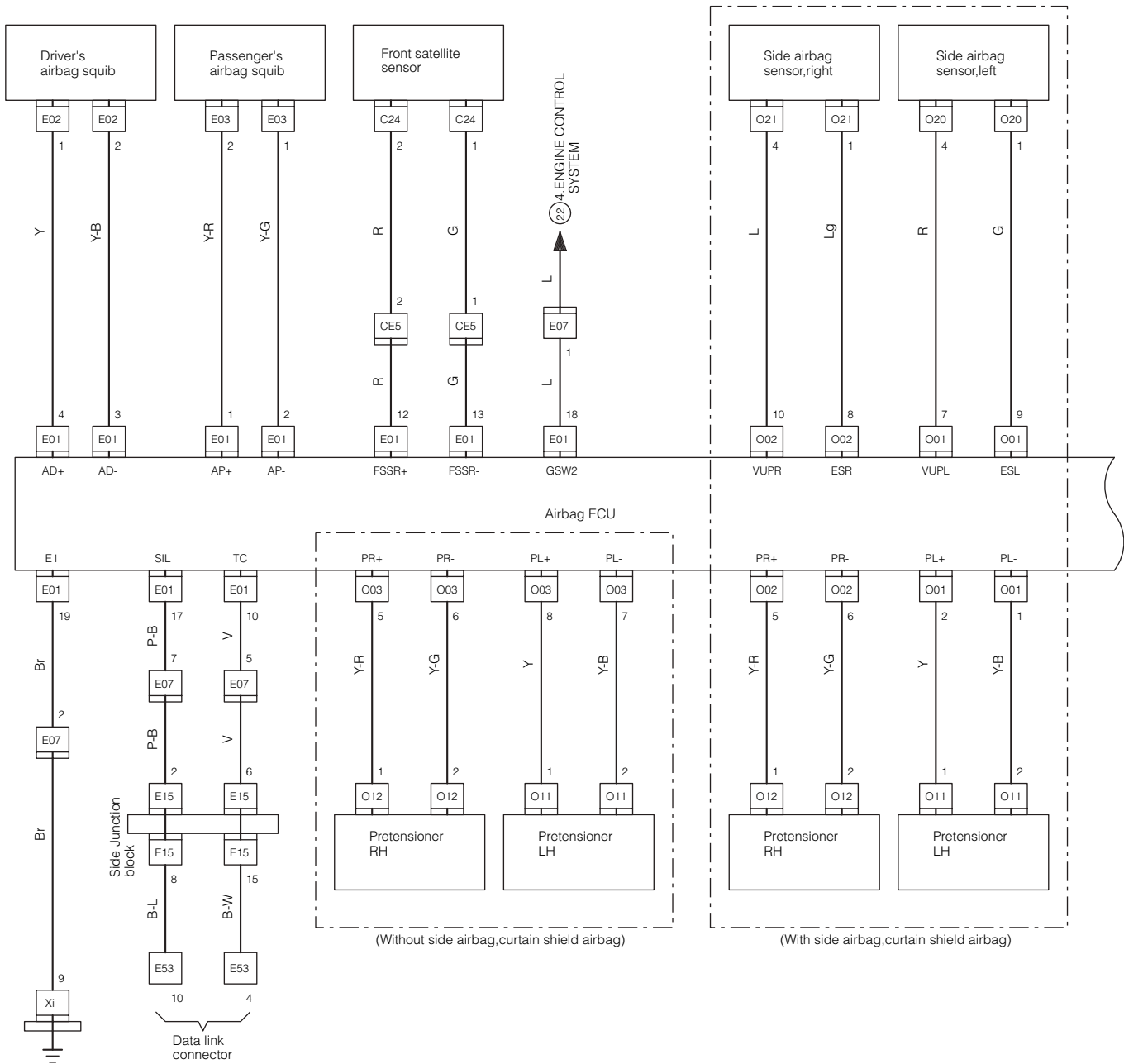


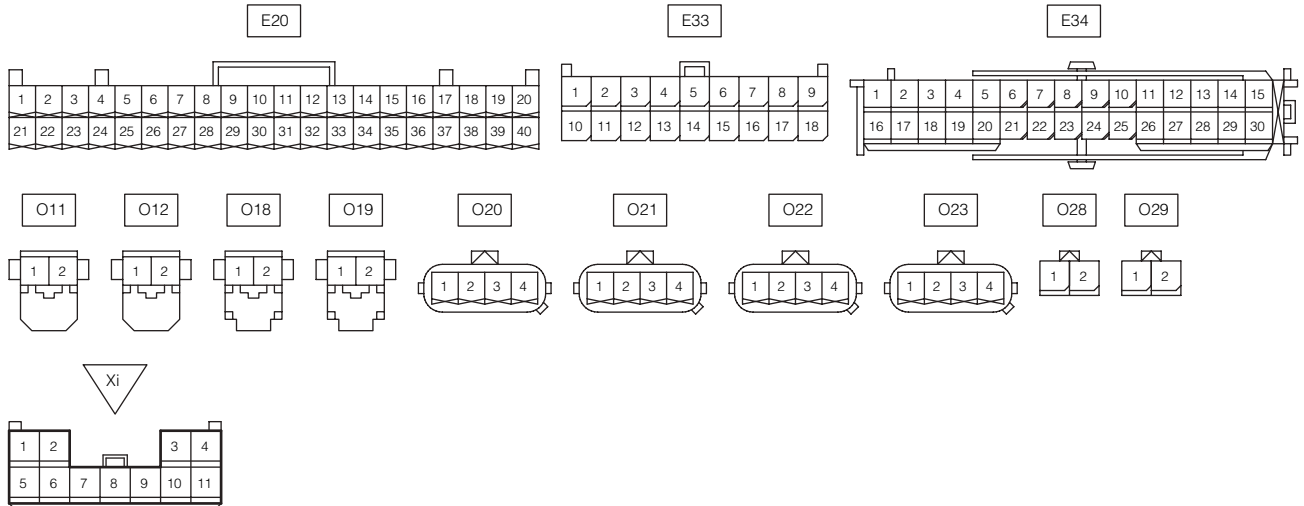
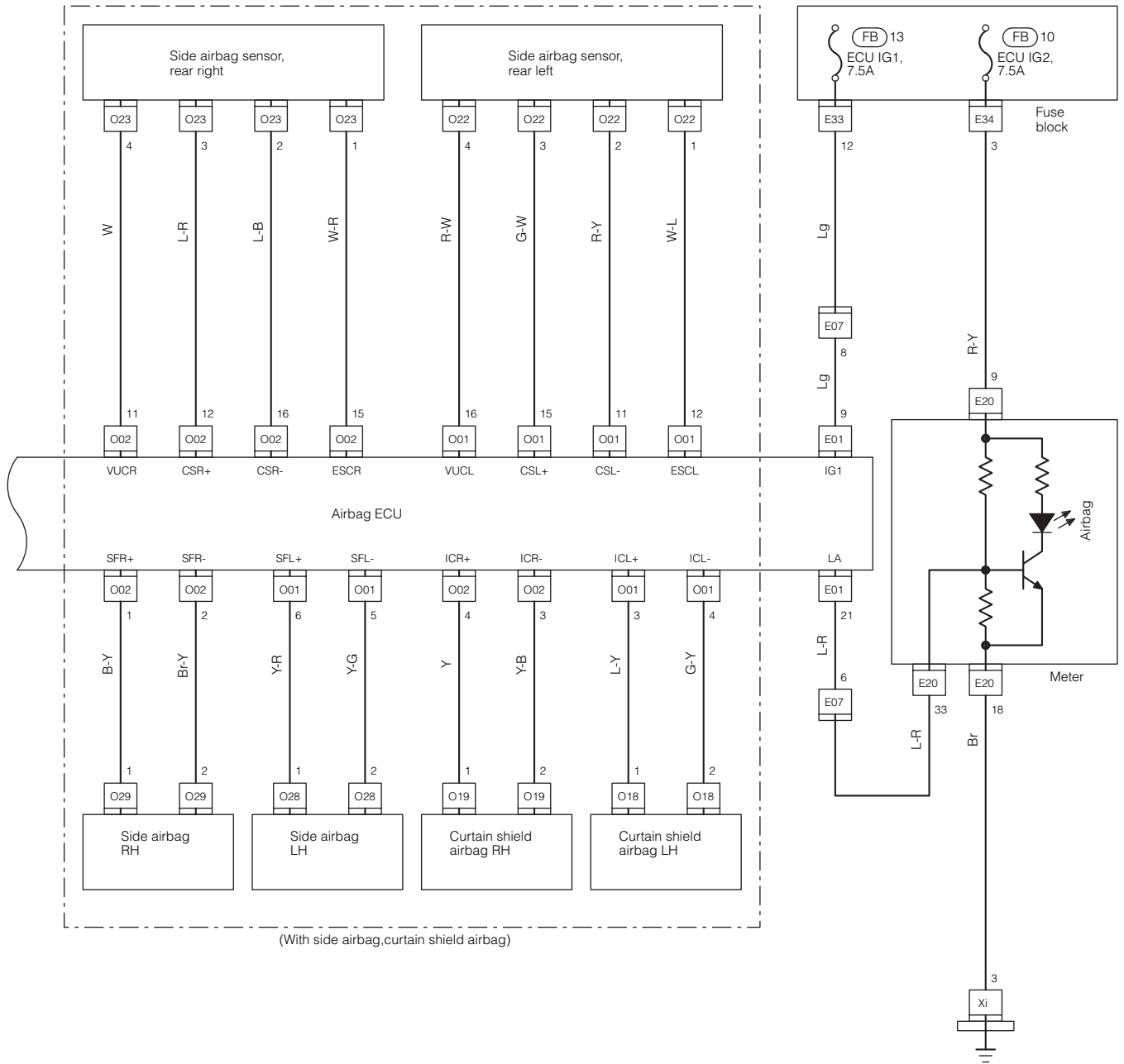
(MEMO)

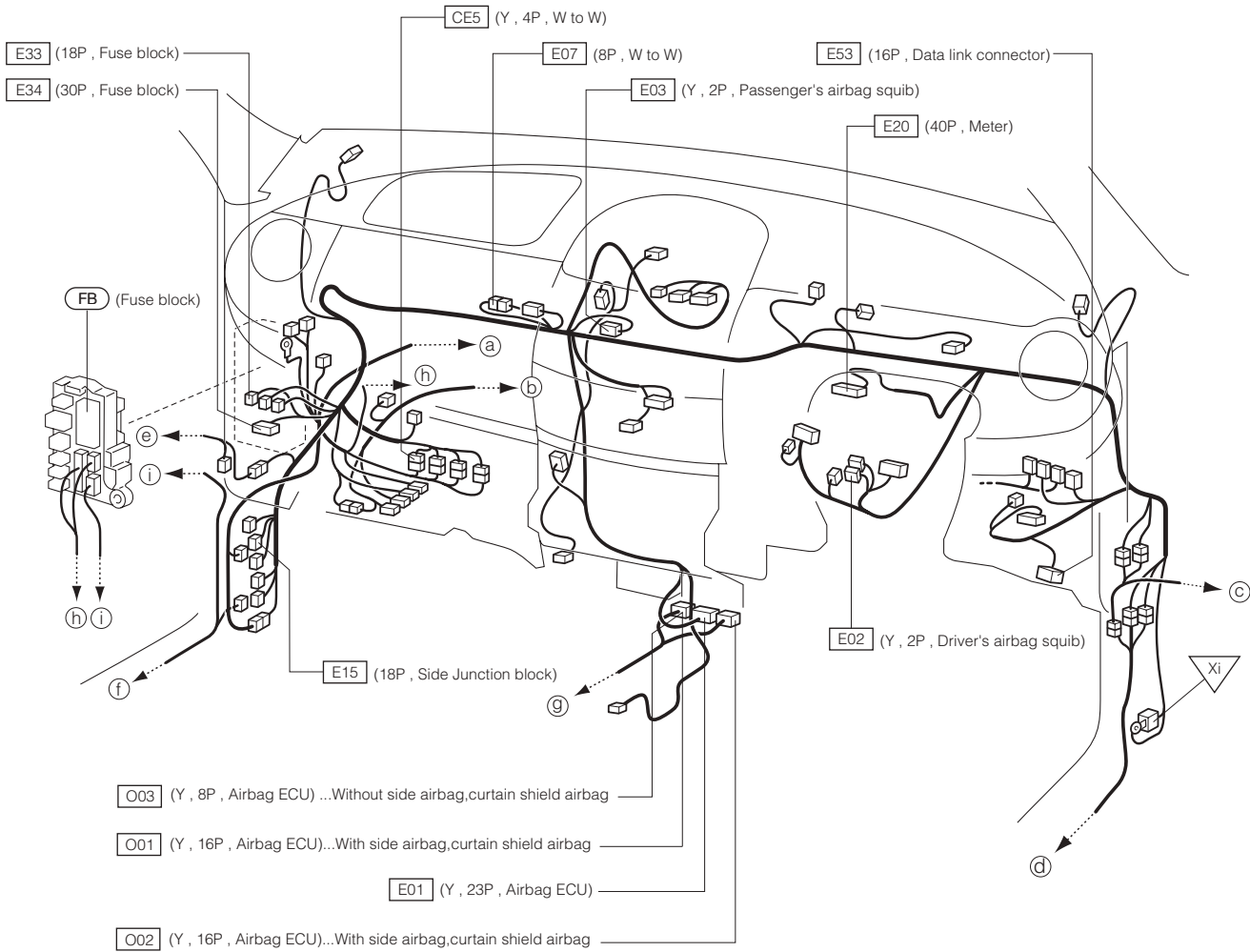




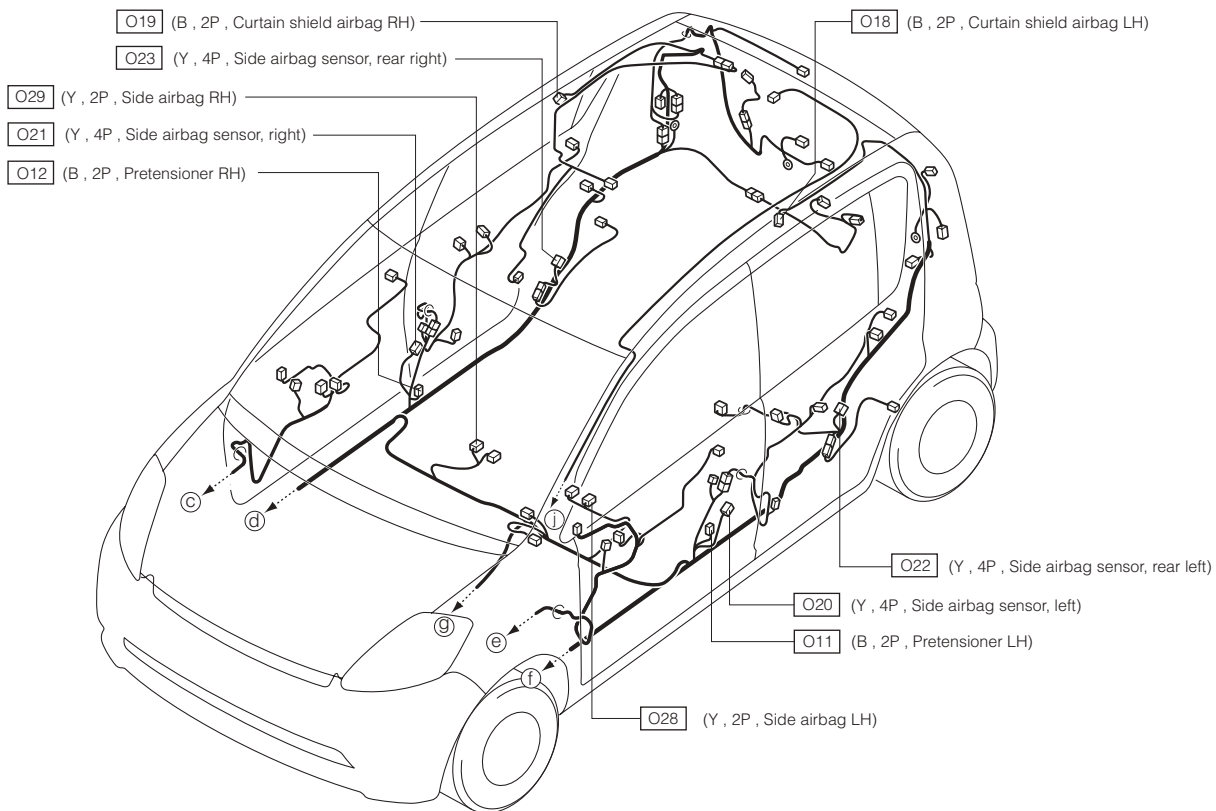
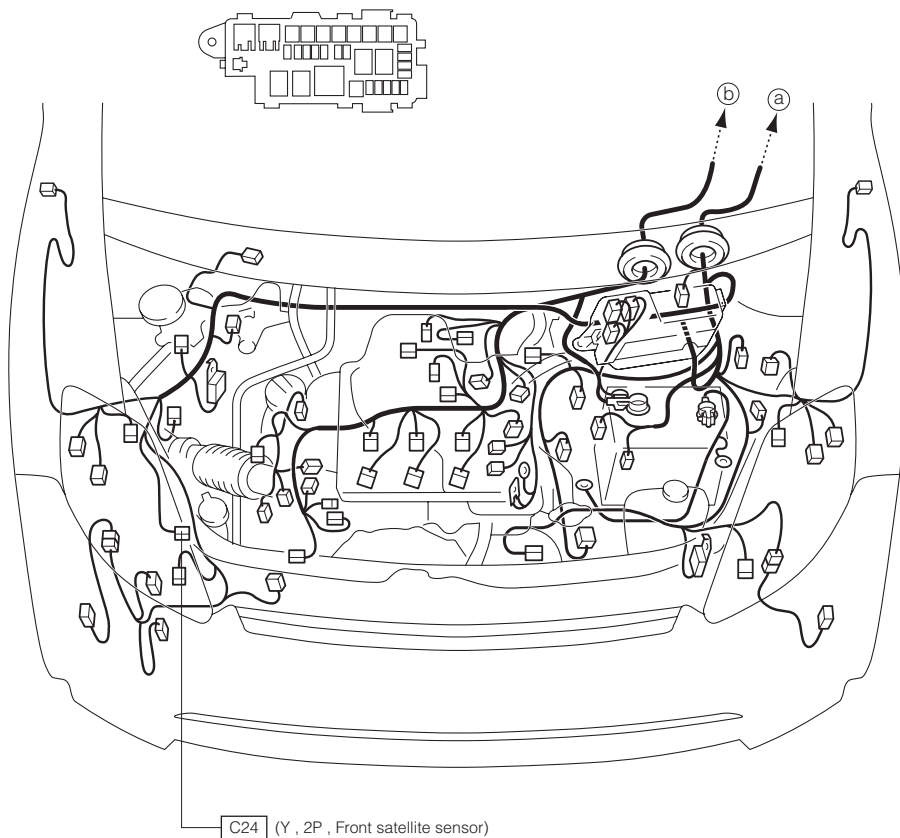
## 9 SRS AIRBAG SYSTEM 9-1 RHD VEHICLE



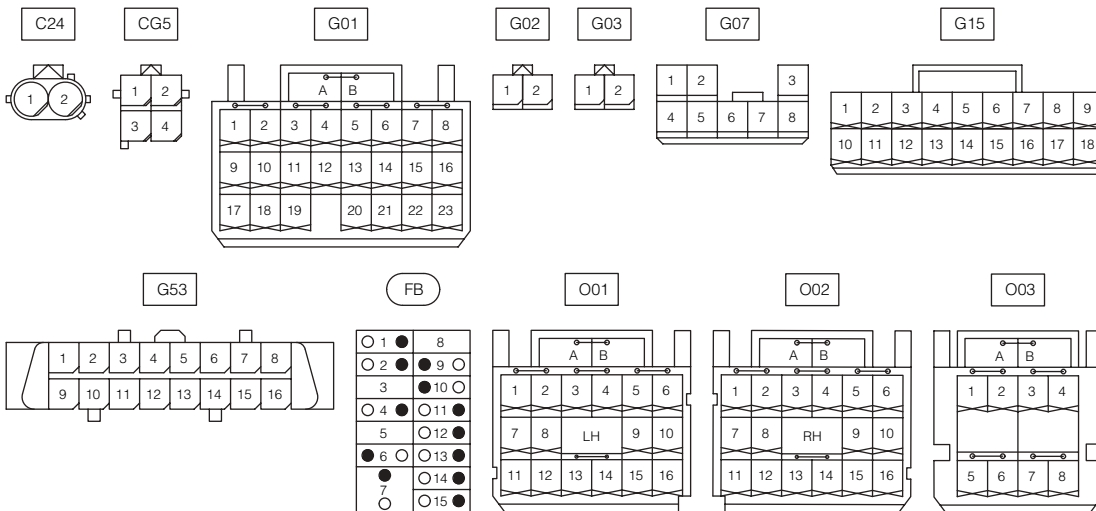
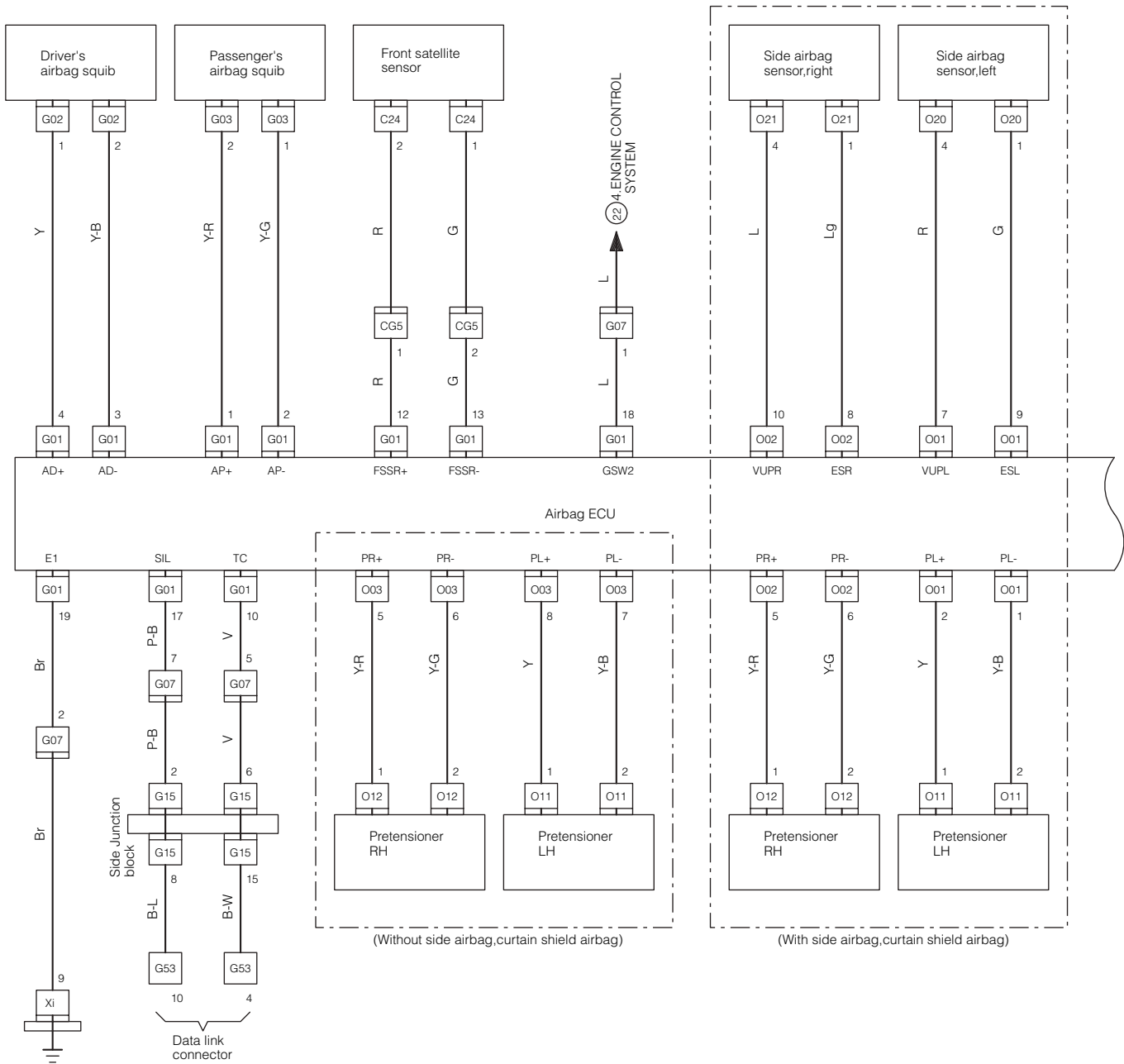


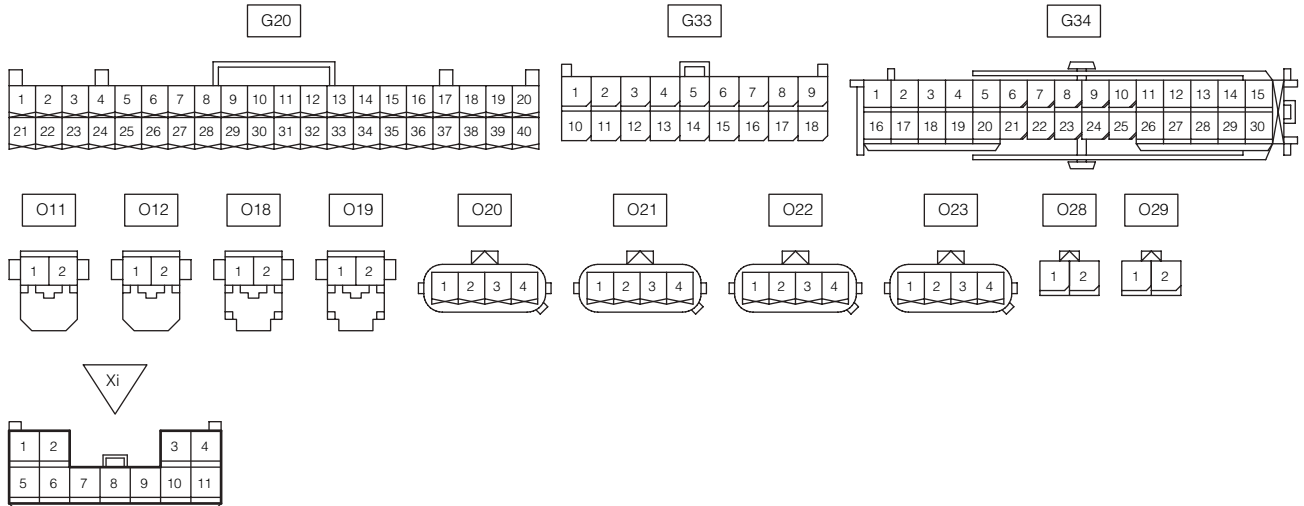
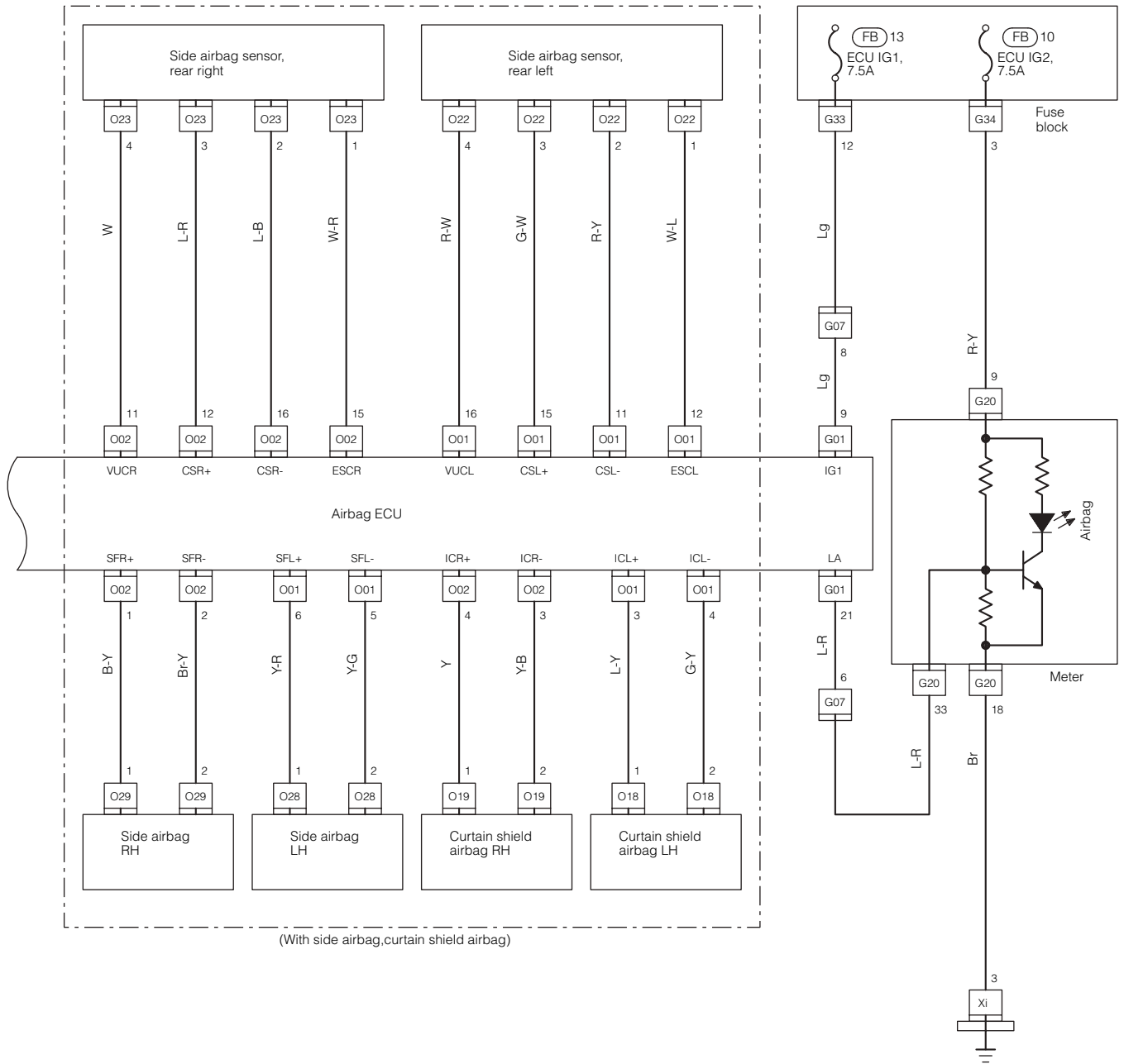


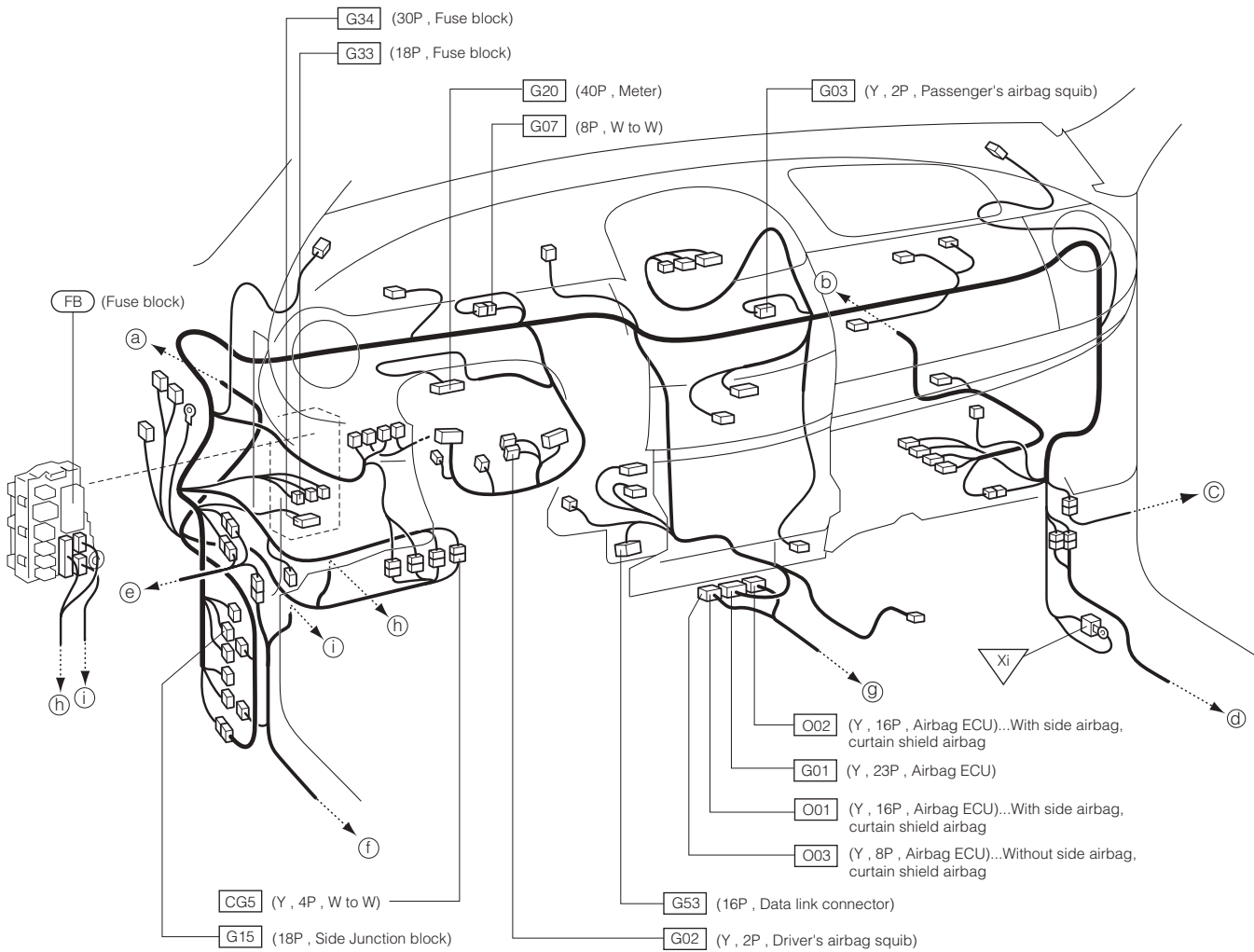


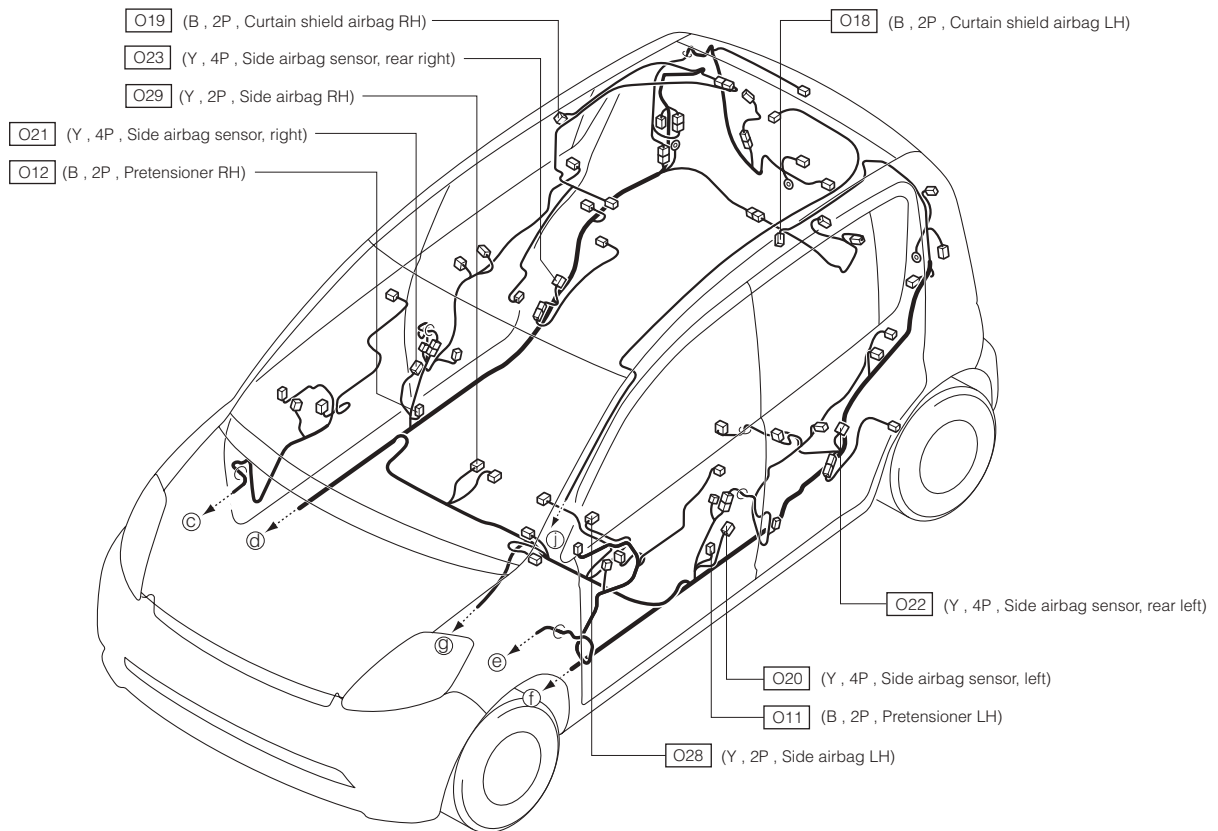
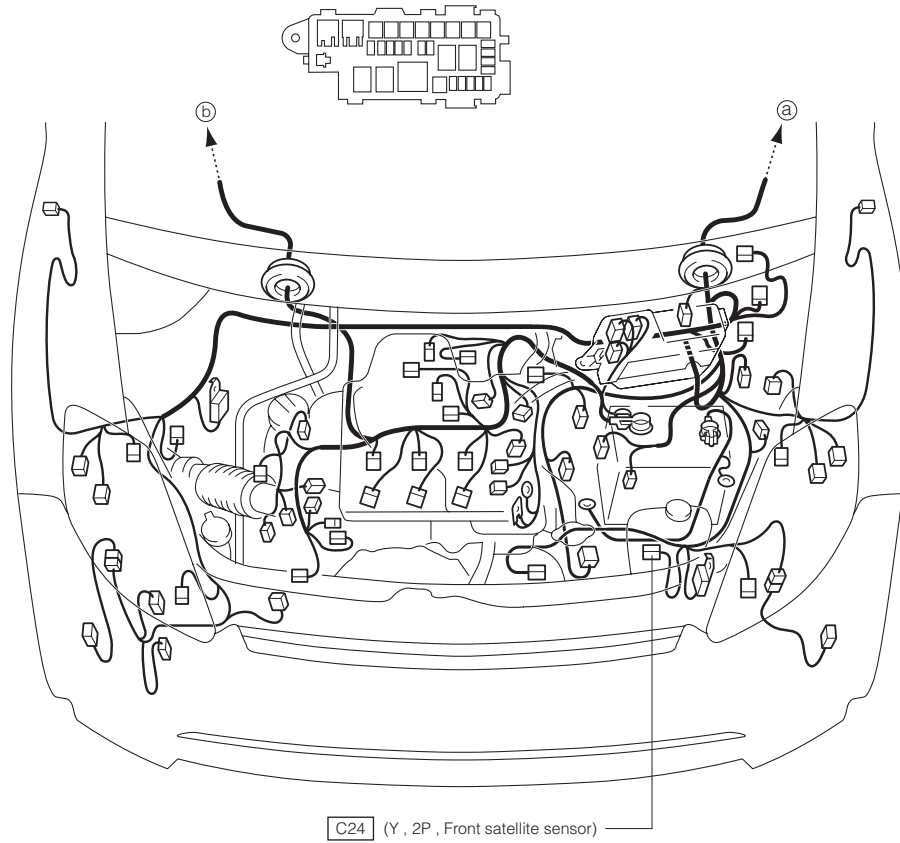


## 9-2 LHD VEHICLE

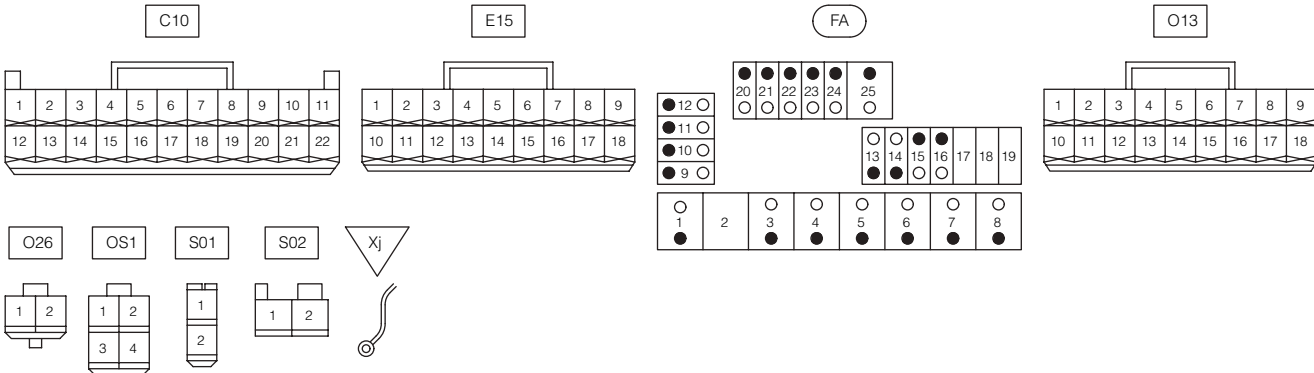
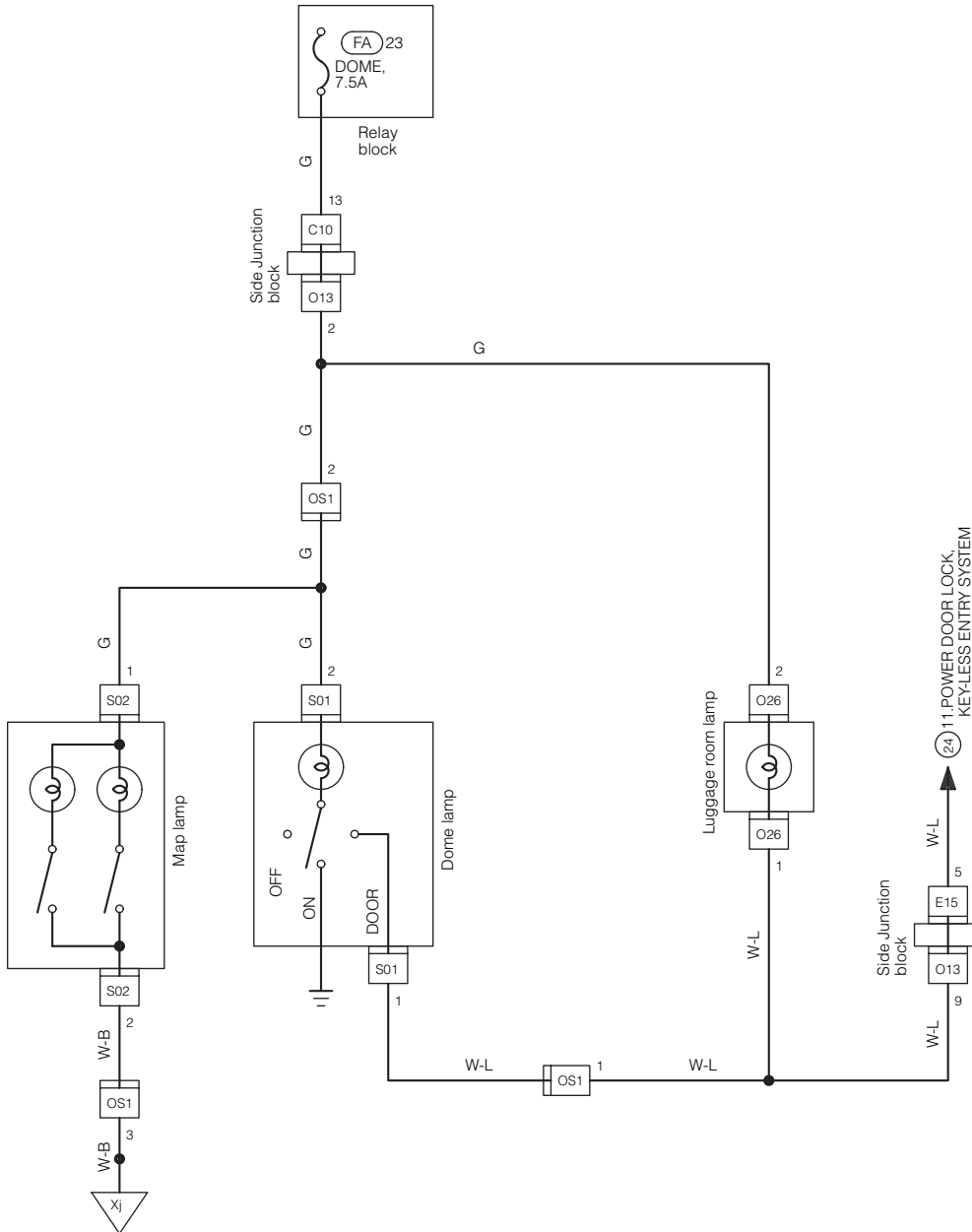




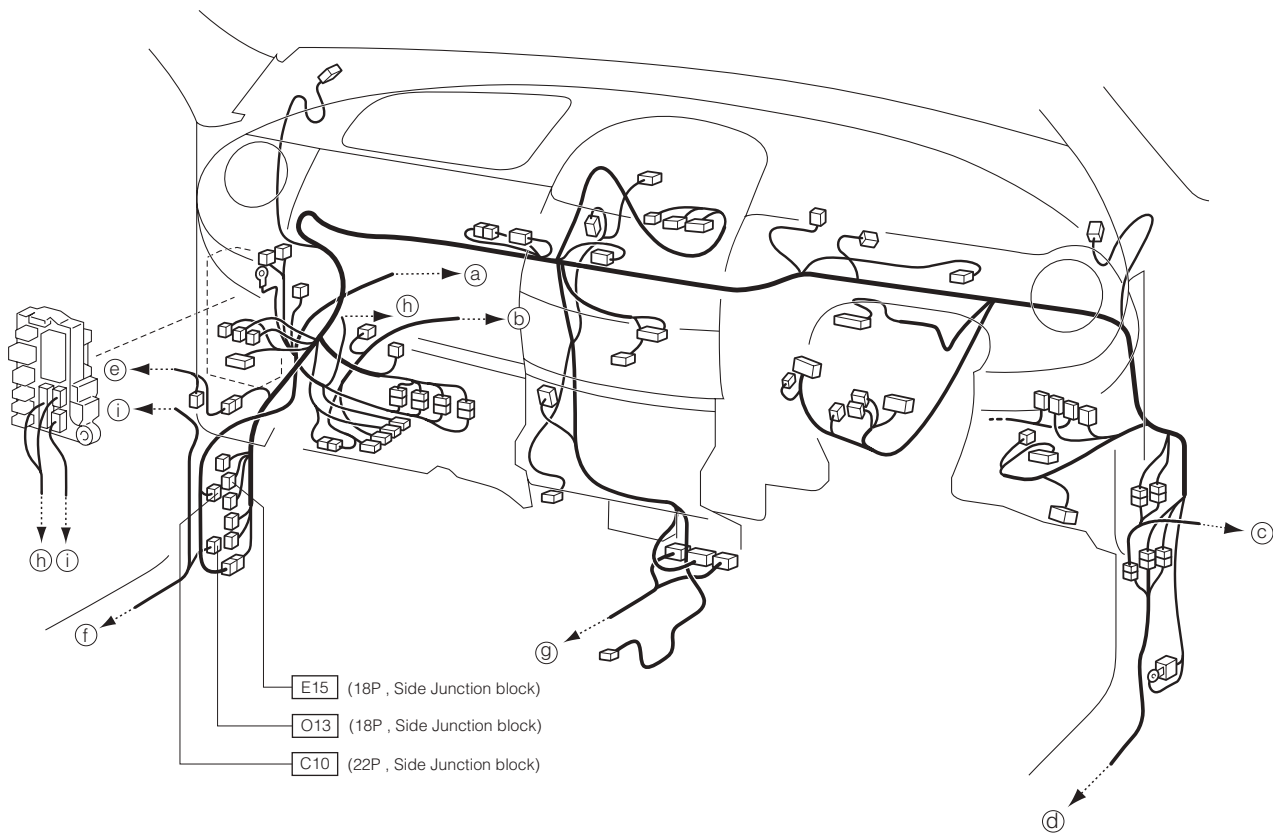




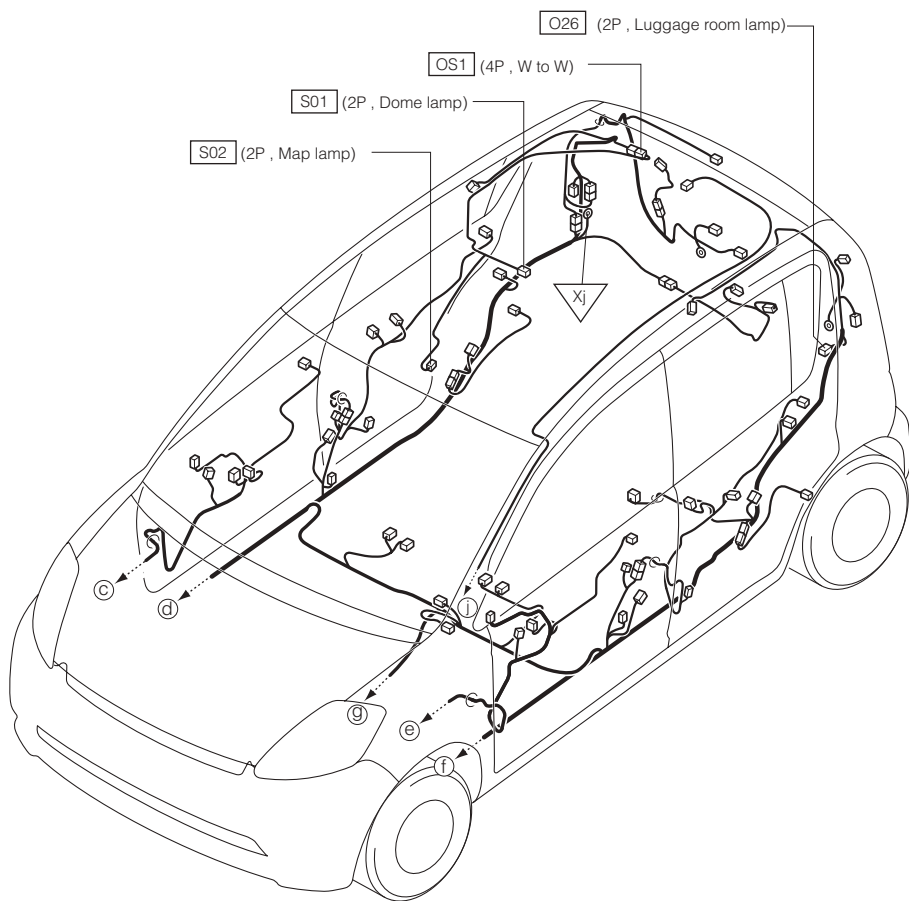
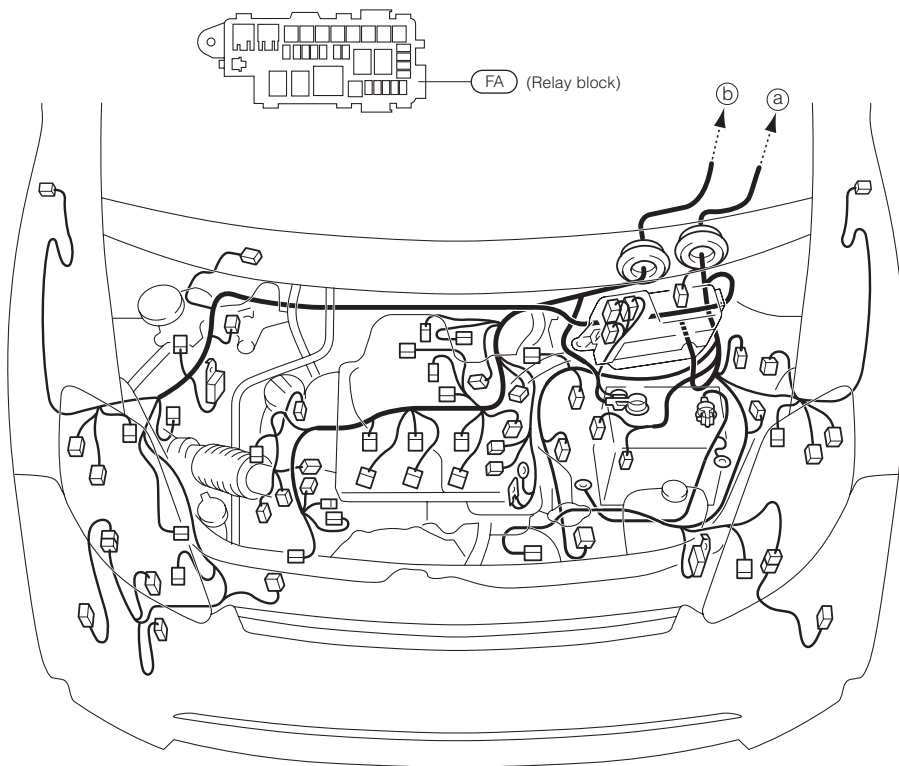
## 10 DOME LAMP 10-1 RHD VEHICLE



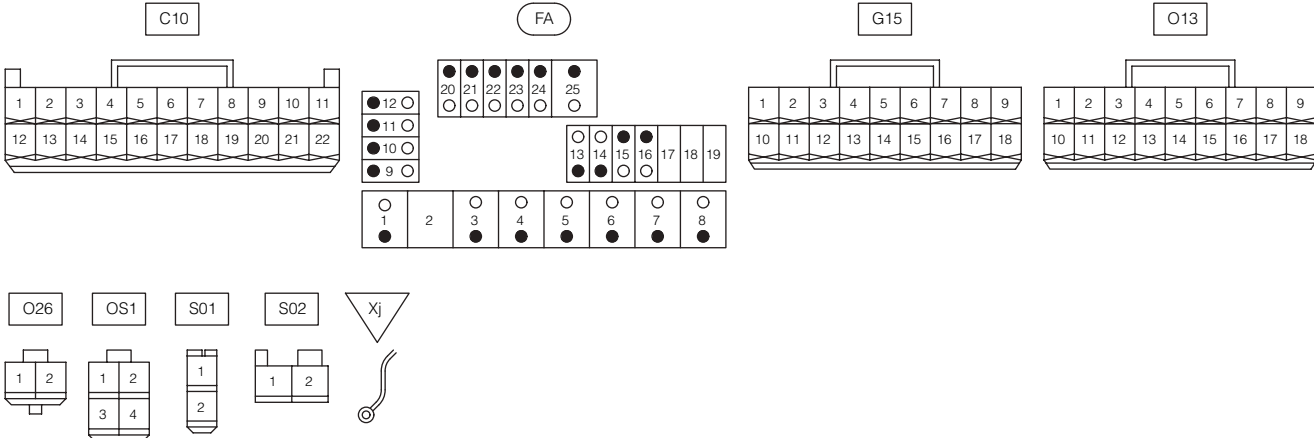
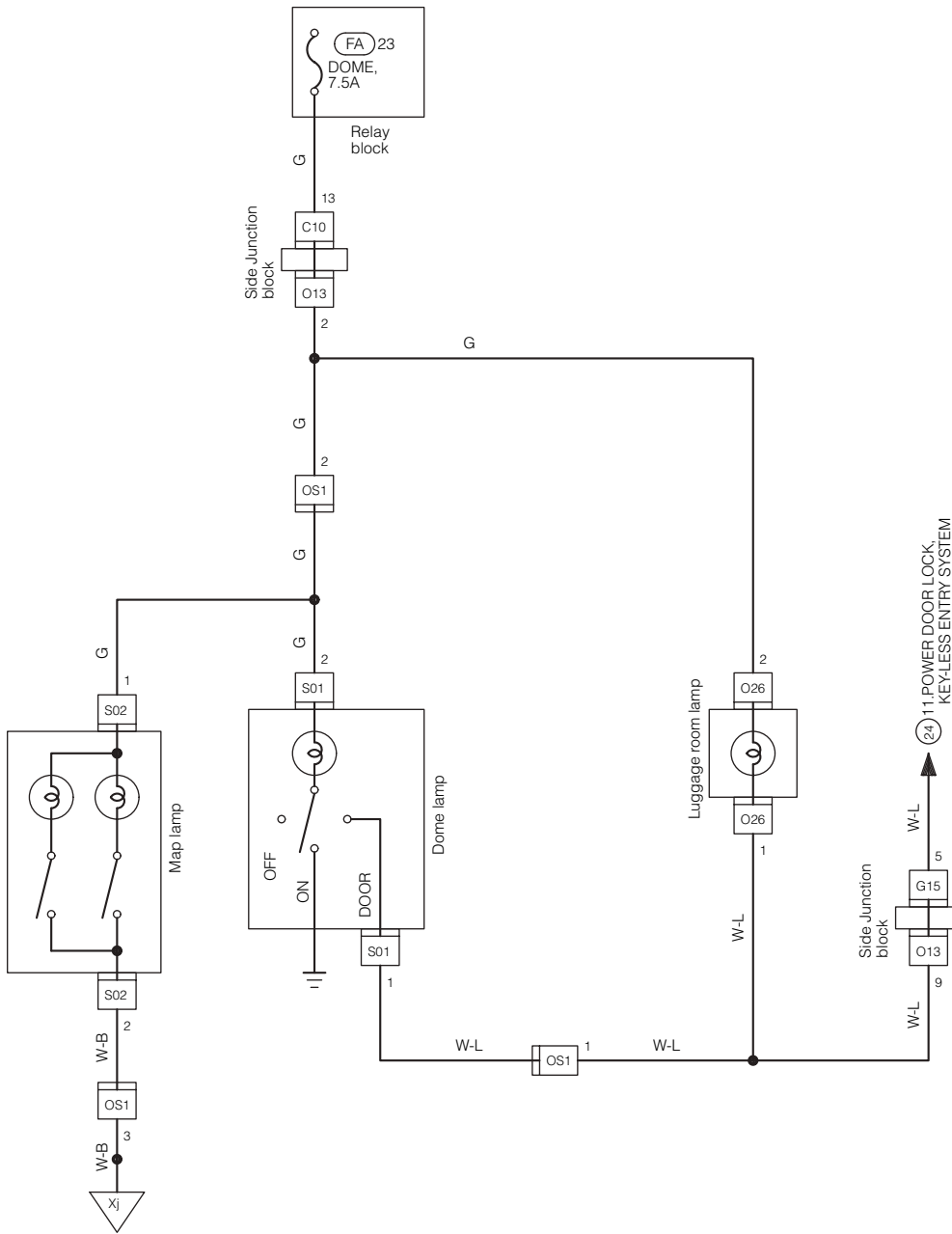
(MEMO)



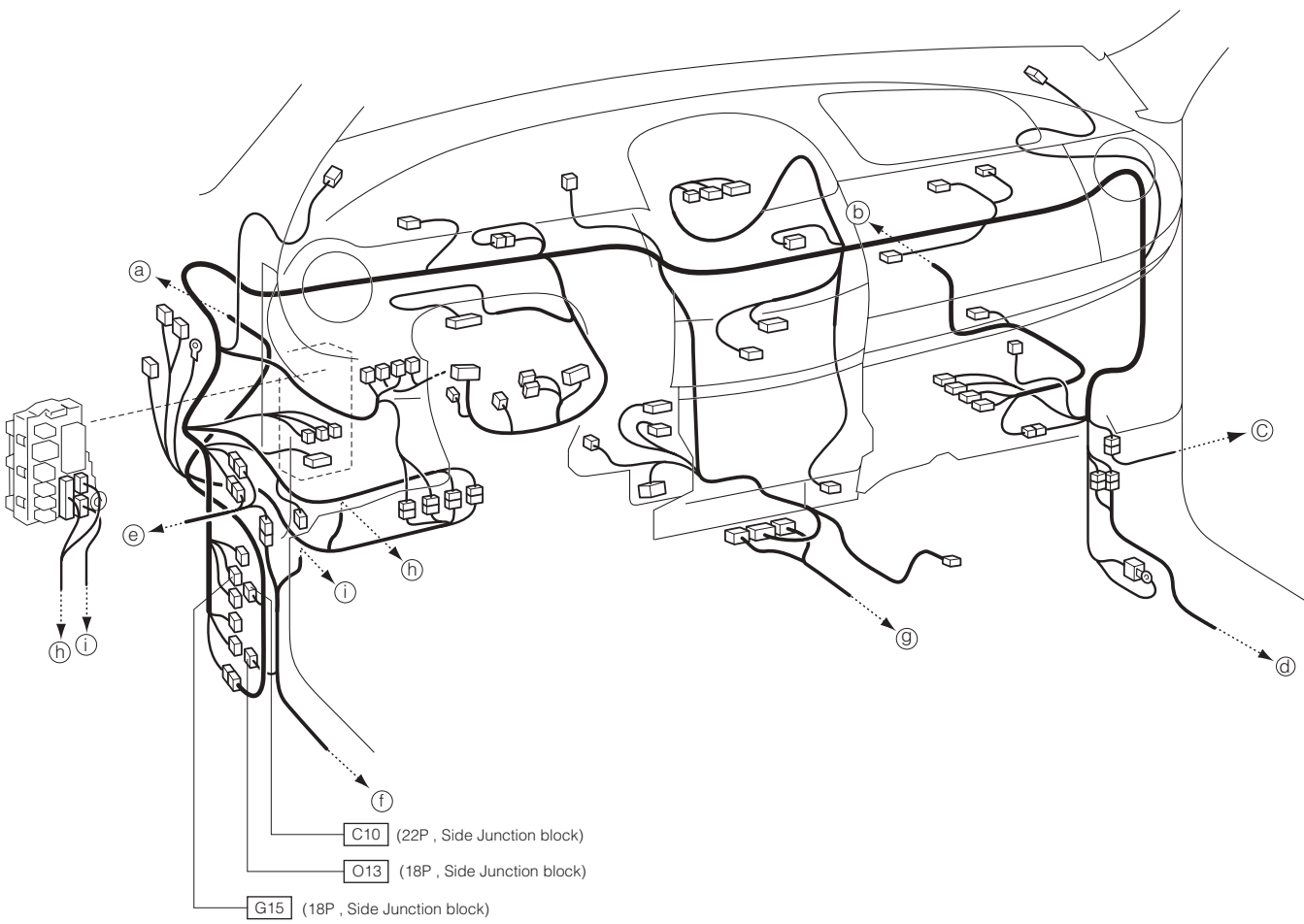


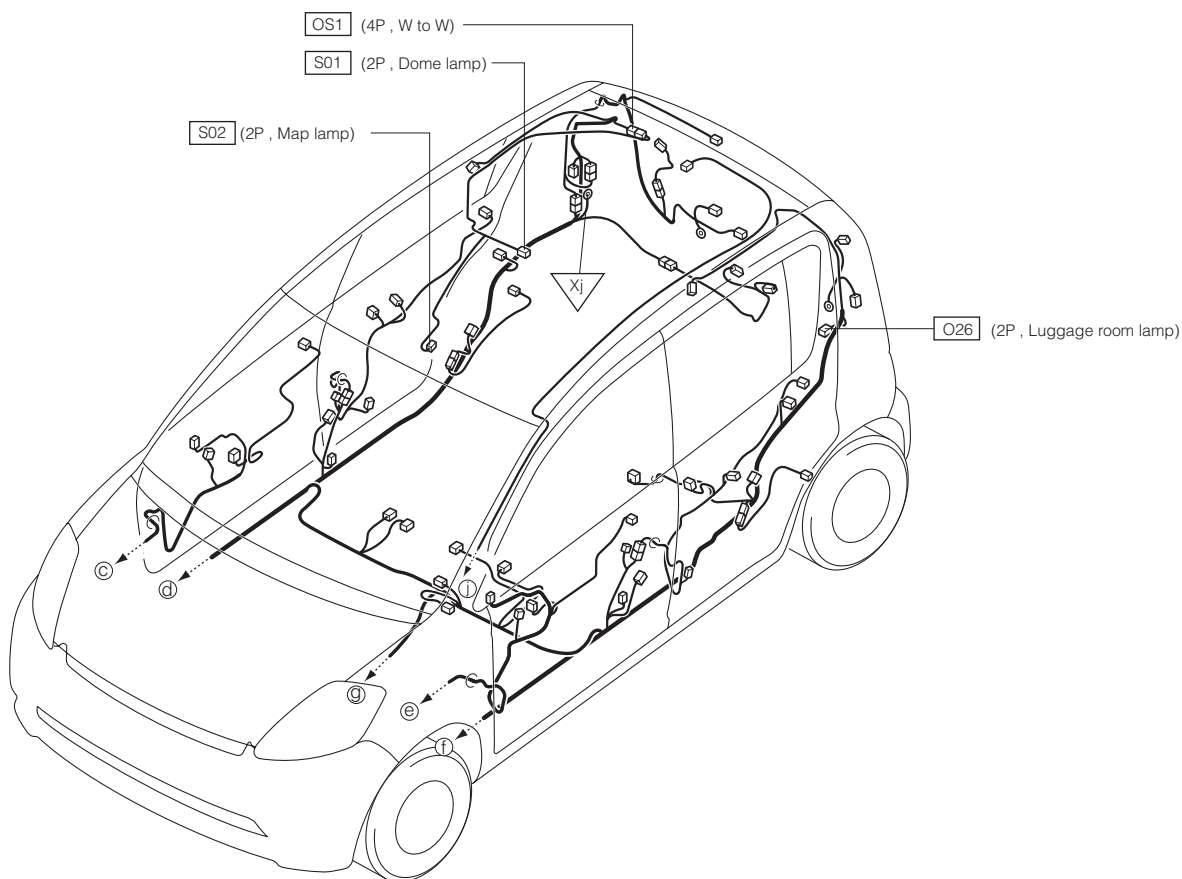
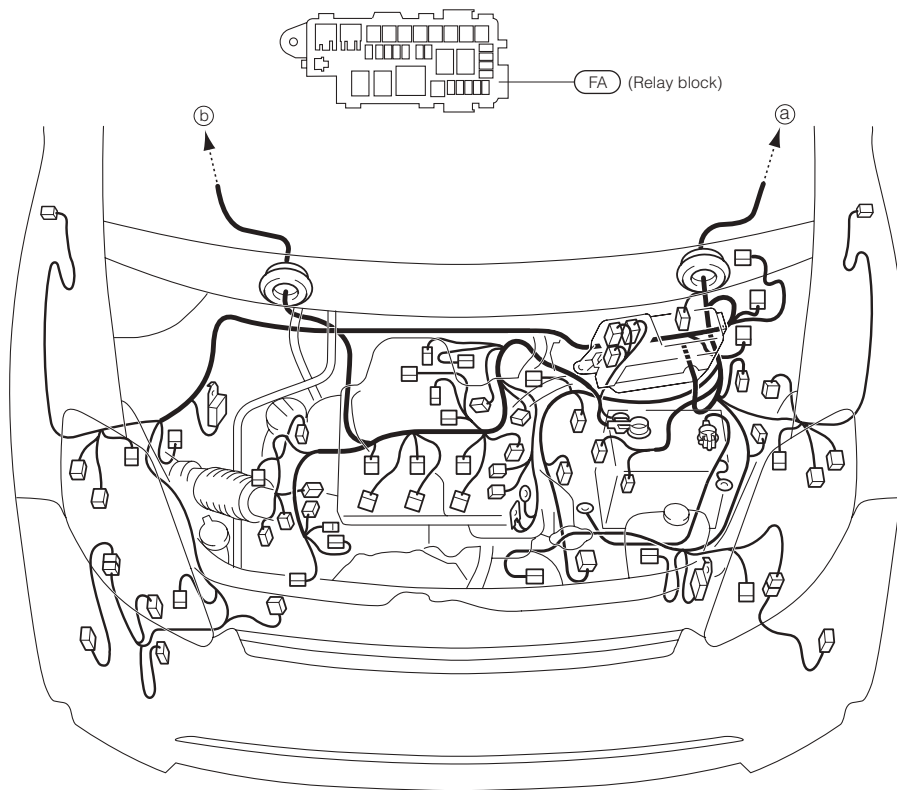


## 10-2 LHD VEHICLE



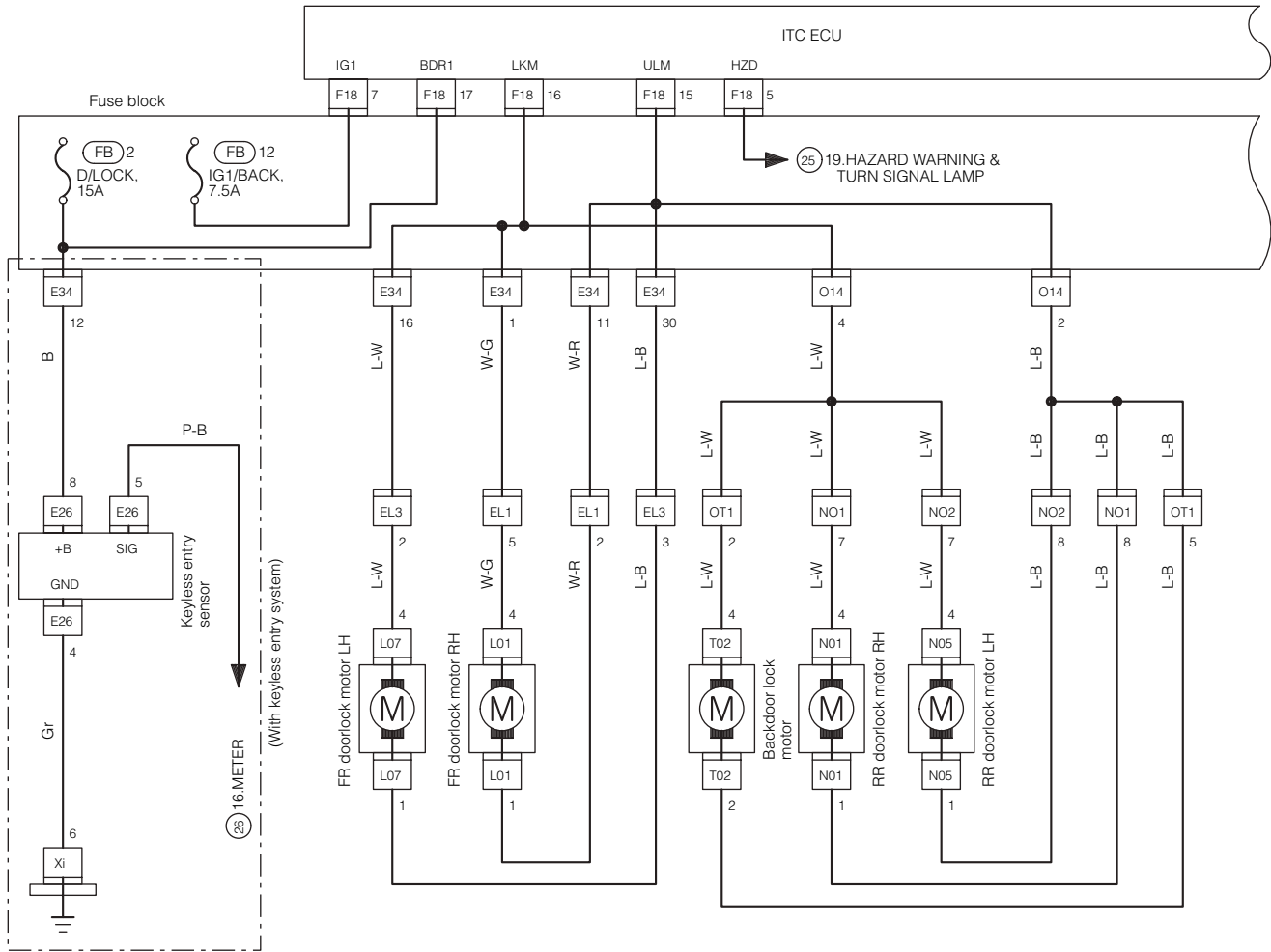
(MEMO)



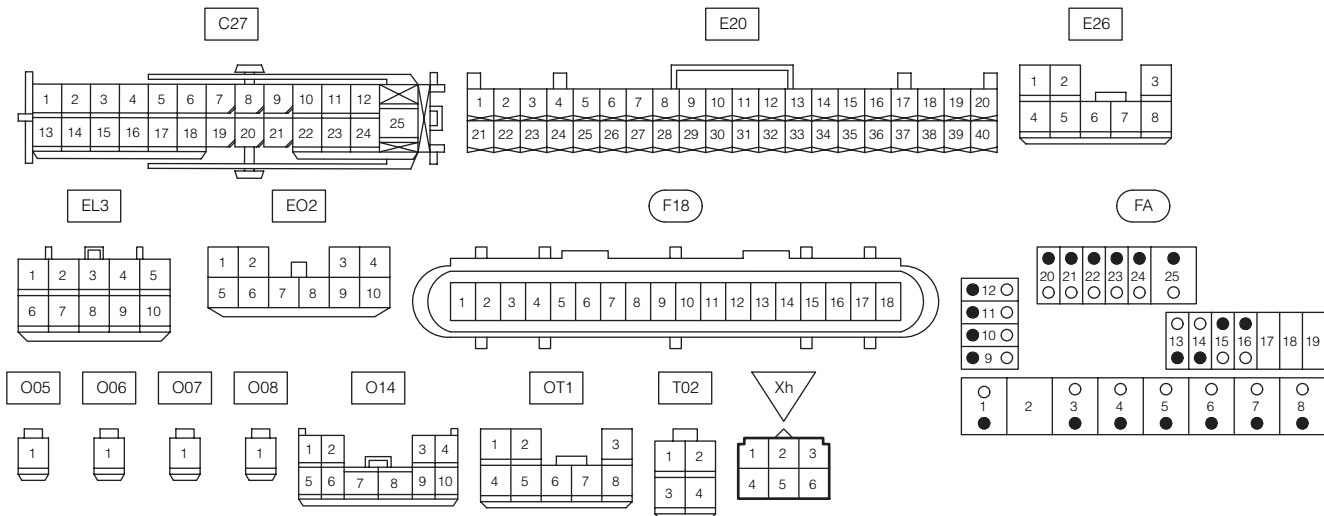


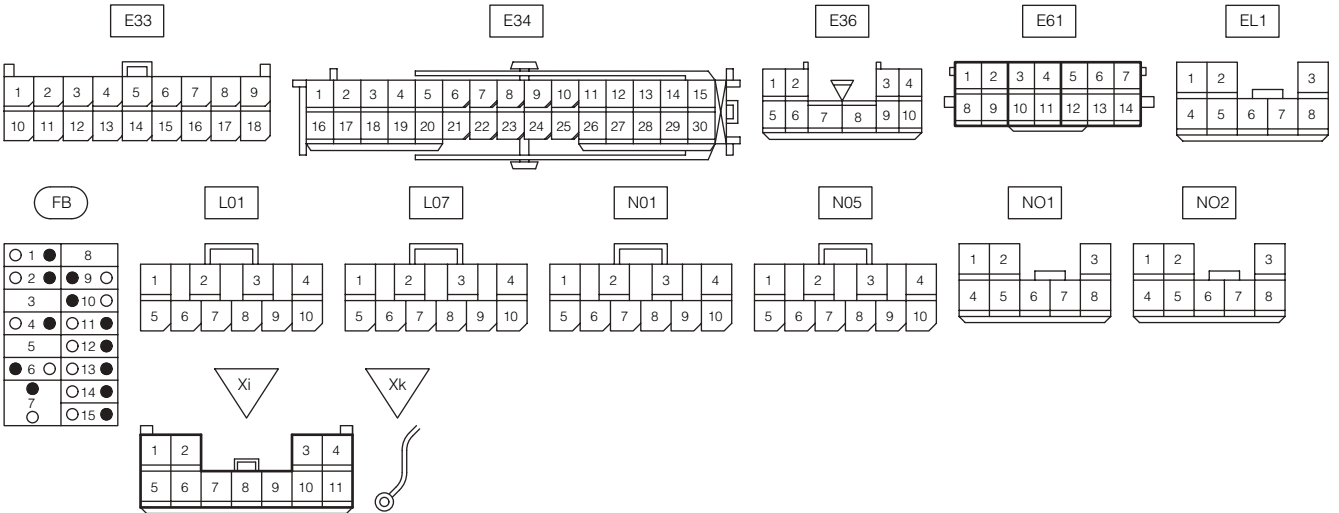
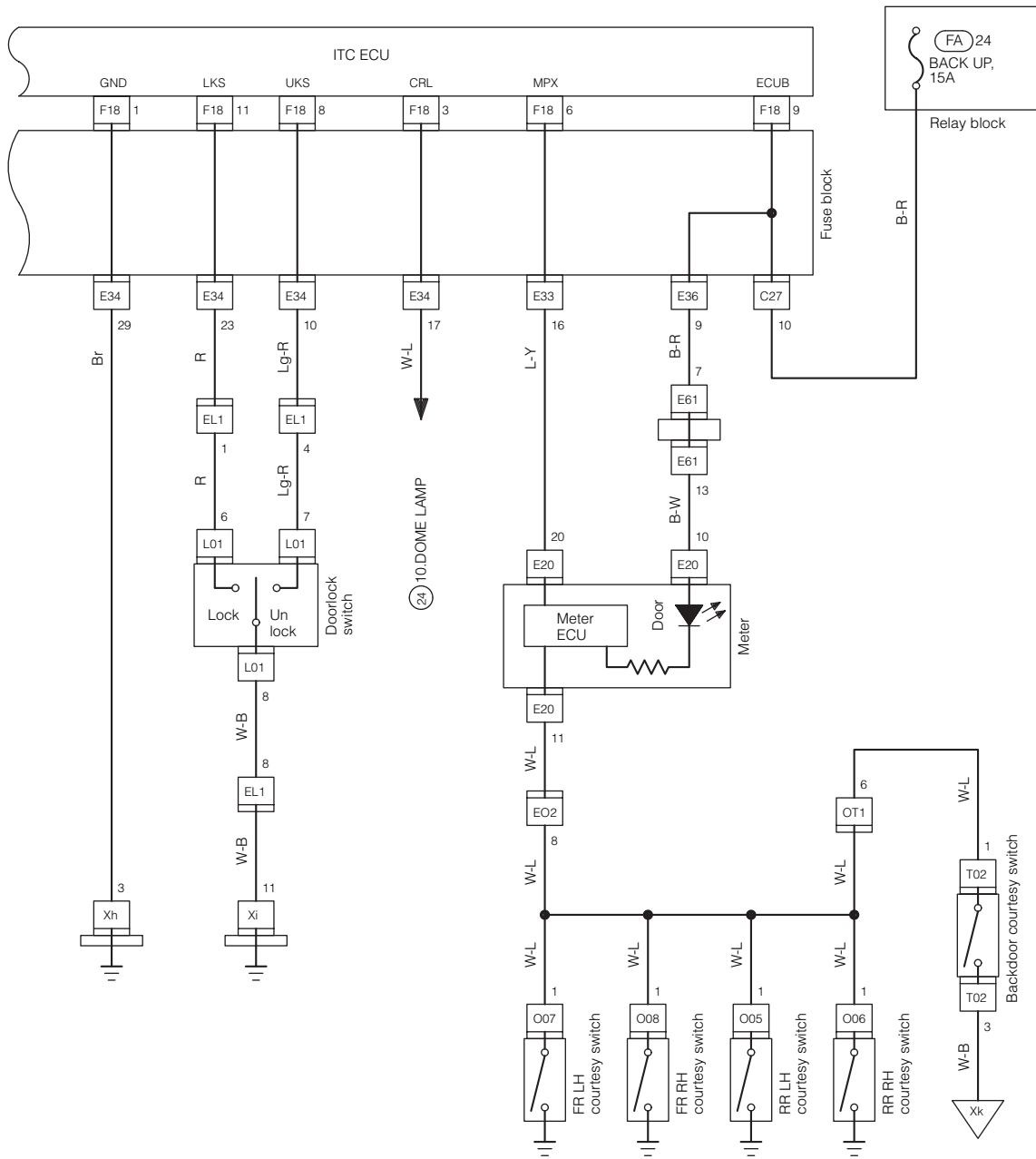
## 11 POWER DOOR LOCK, KEY-LESS ENTRY SYSTEM

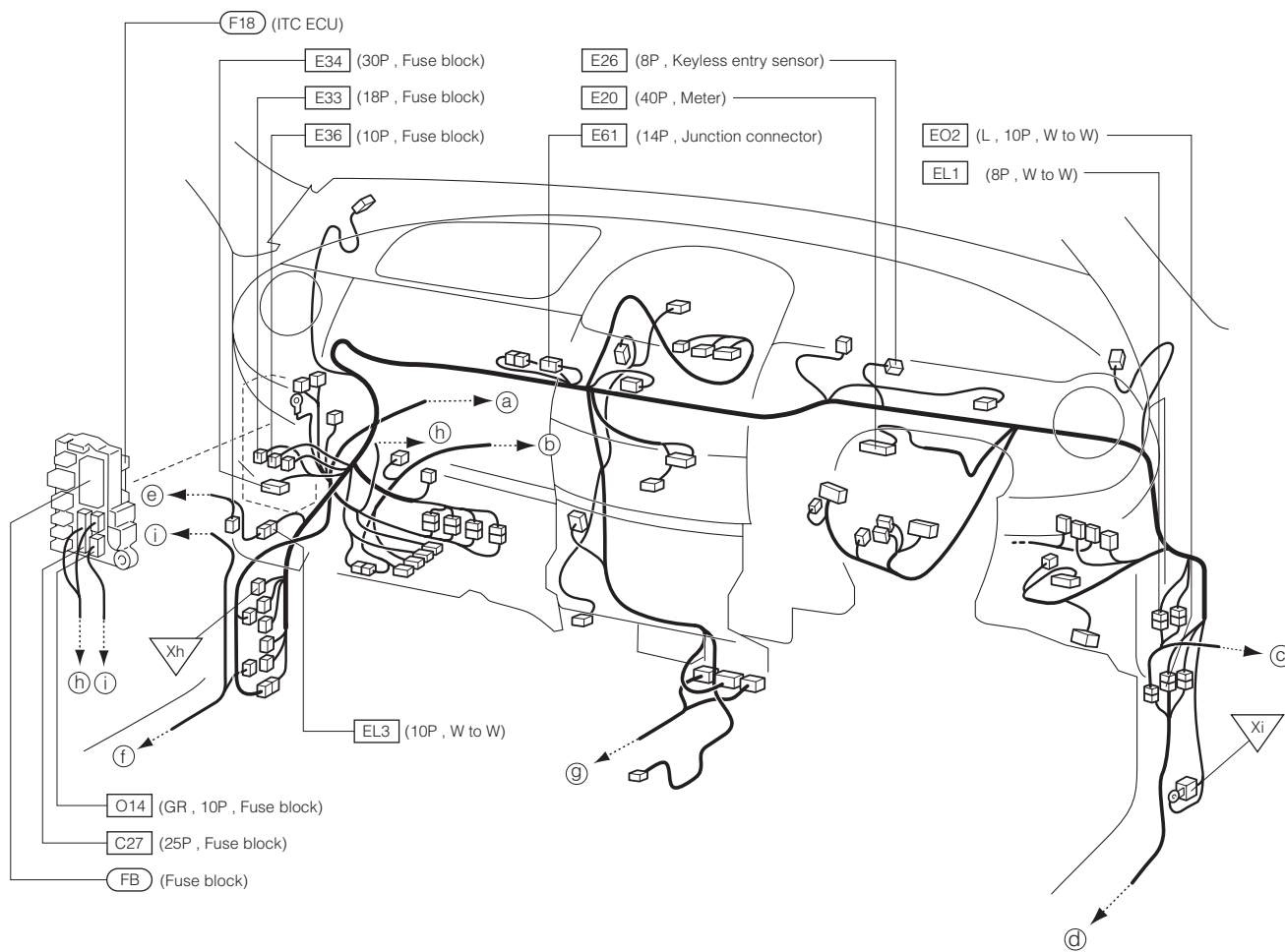
### 11-1 RHD VEHICLE



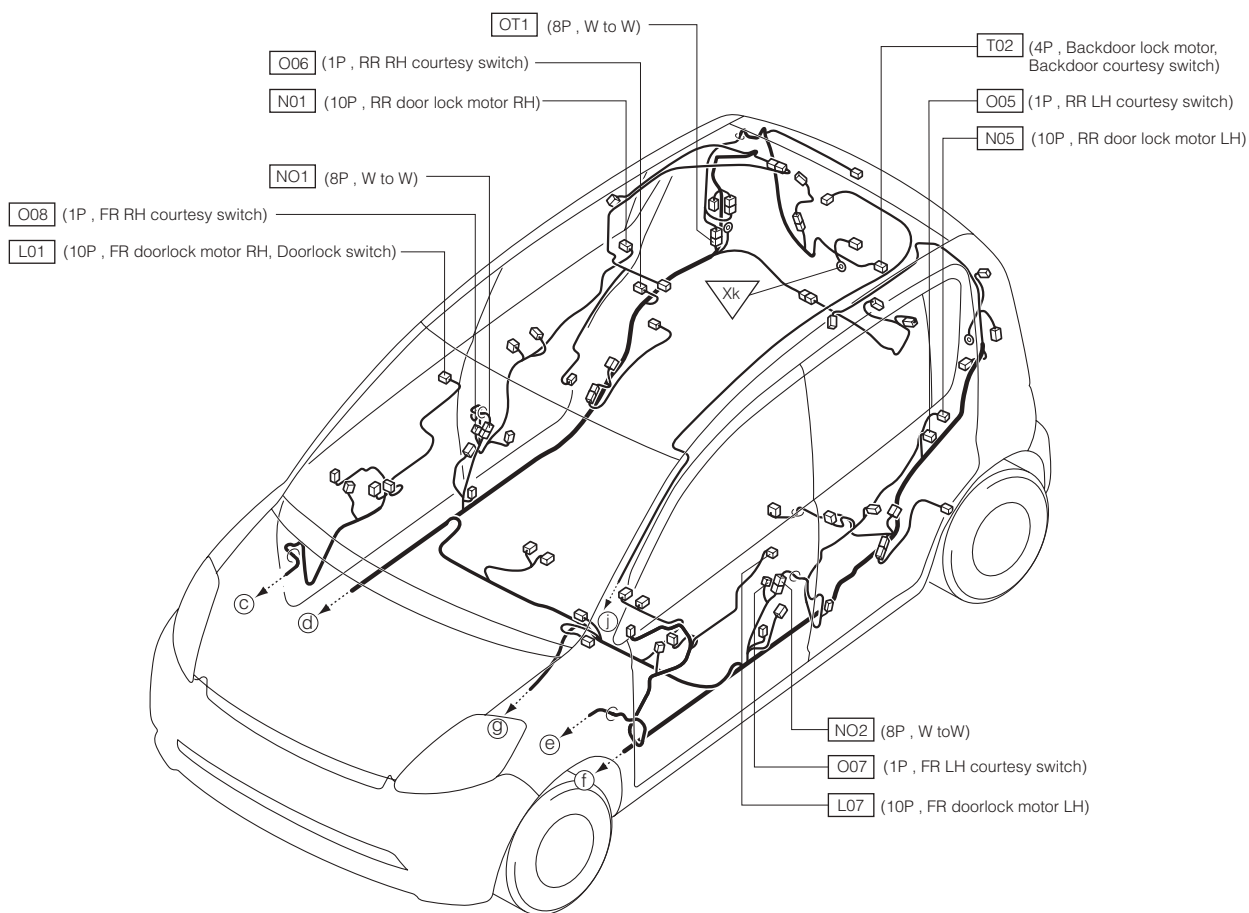
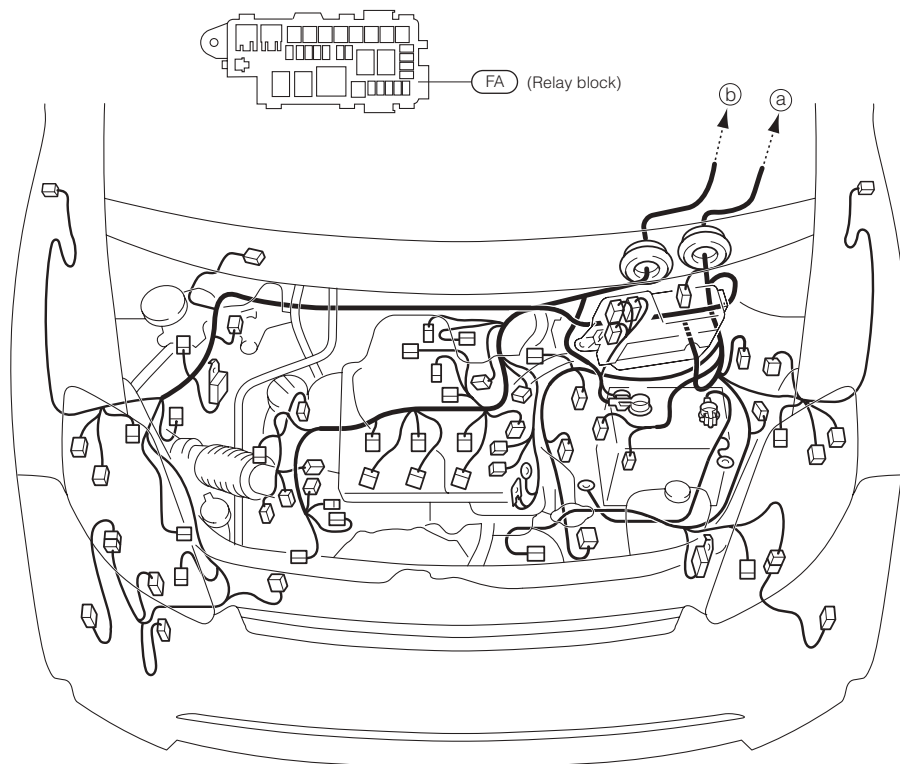
The hazard lamp having the answer back function is described in '19.Hazard Warning & Turn Signal Lamp.'



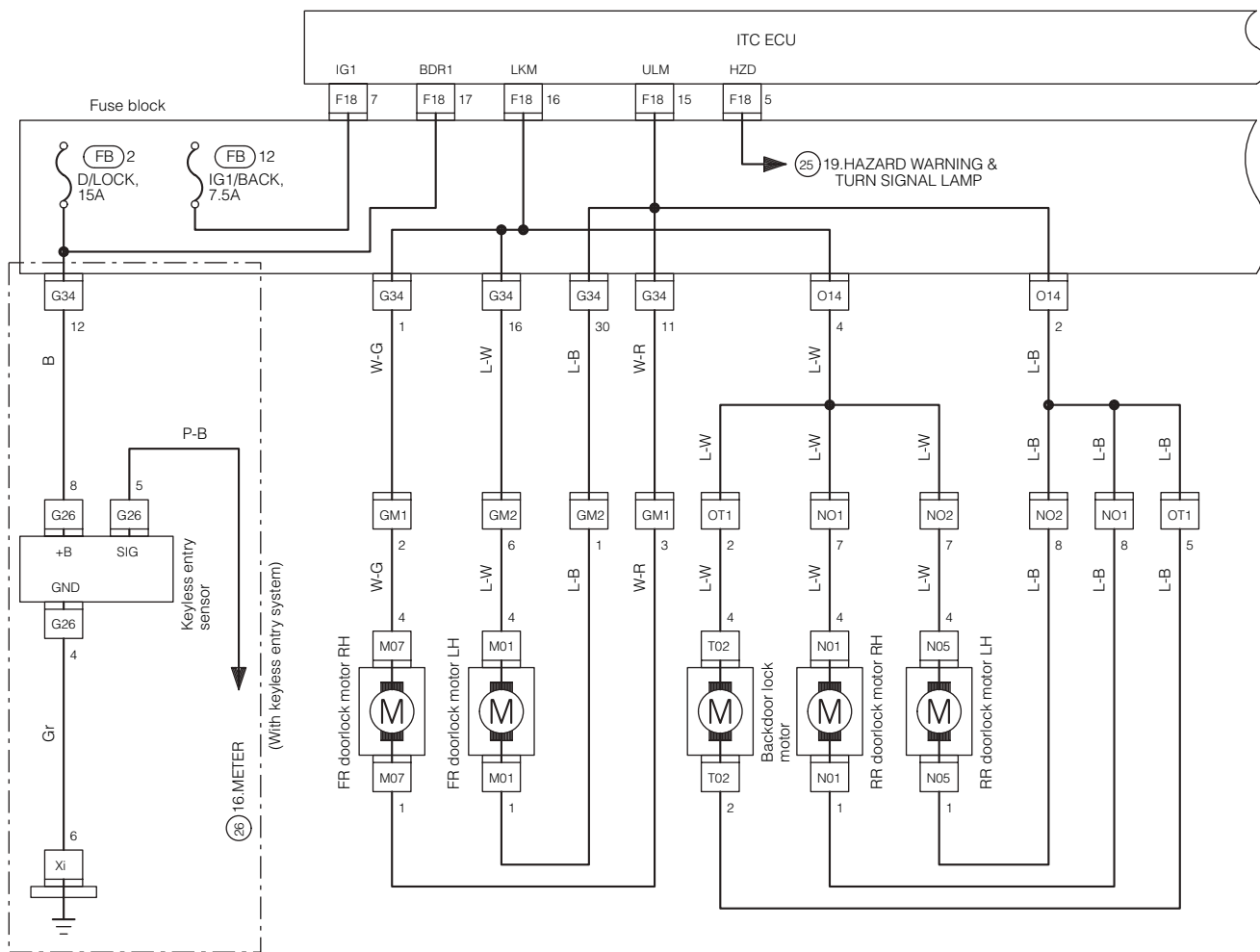




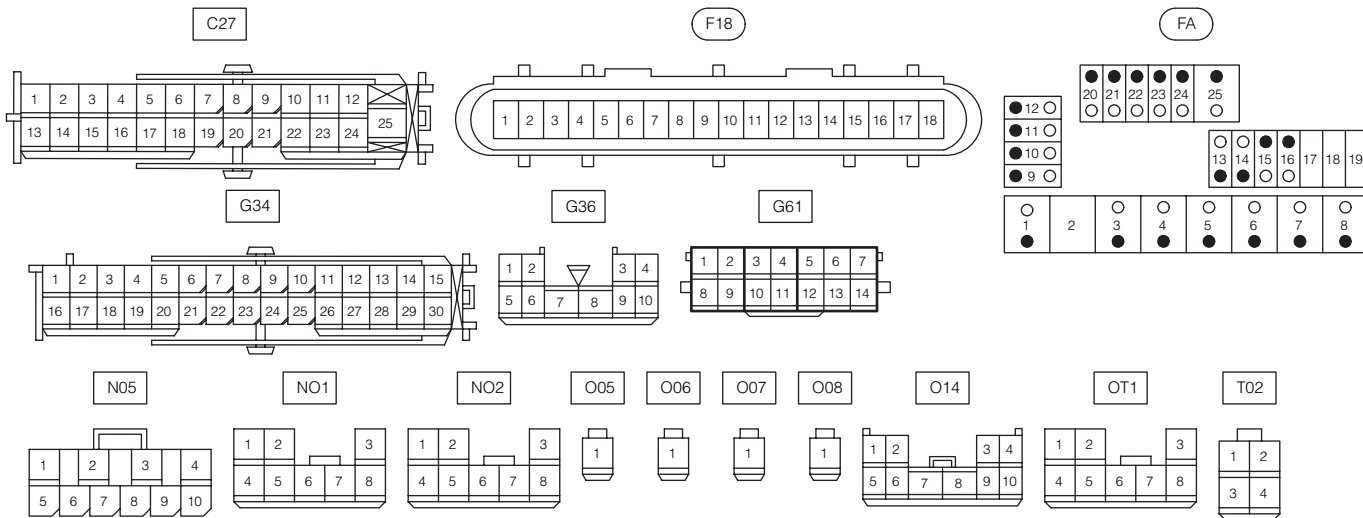


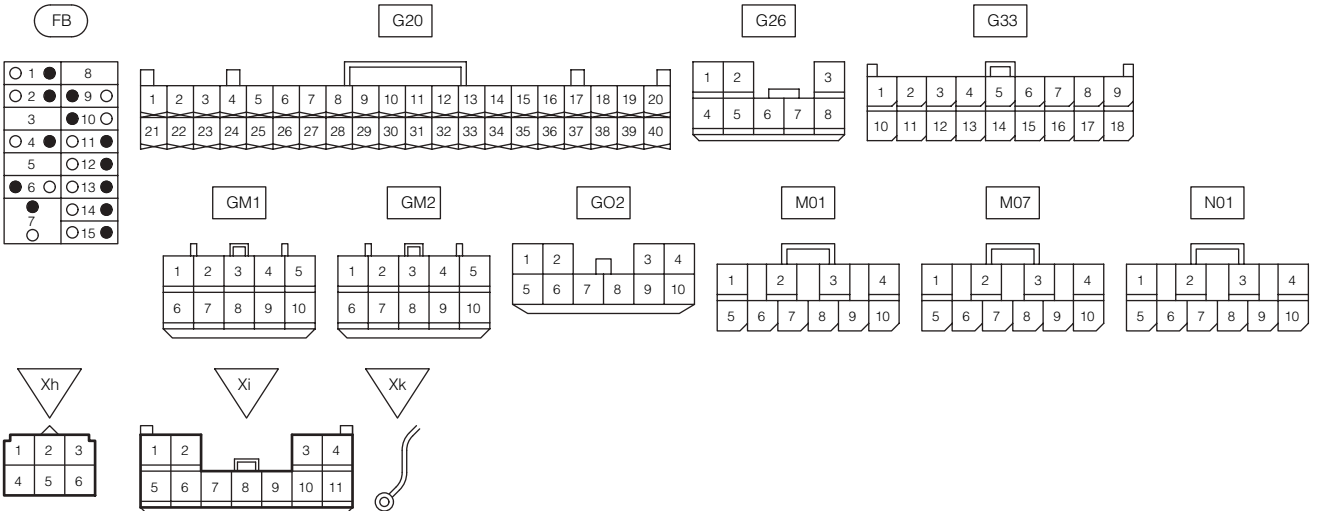
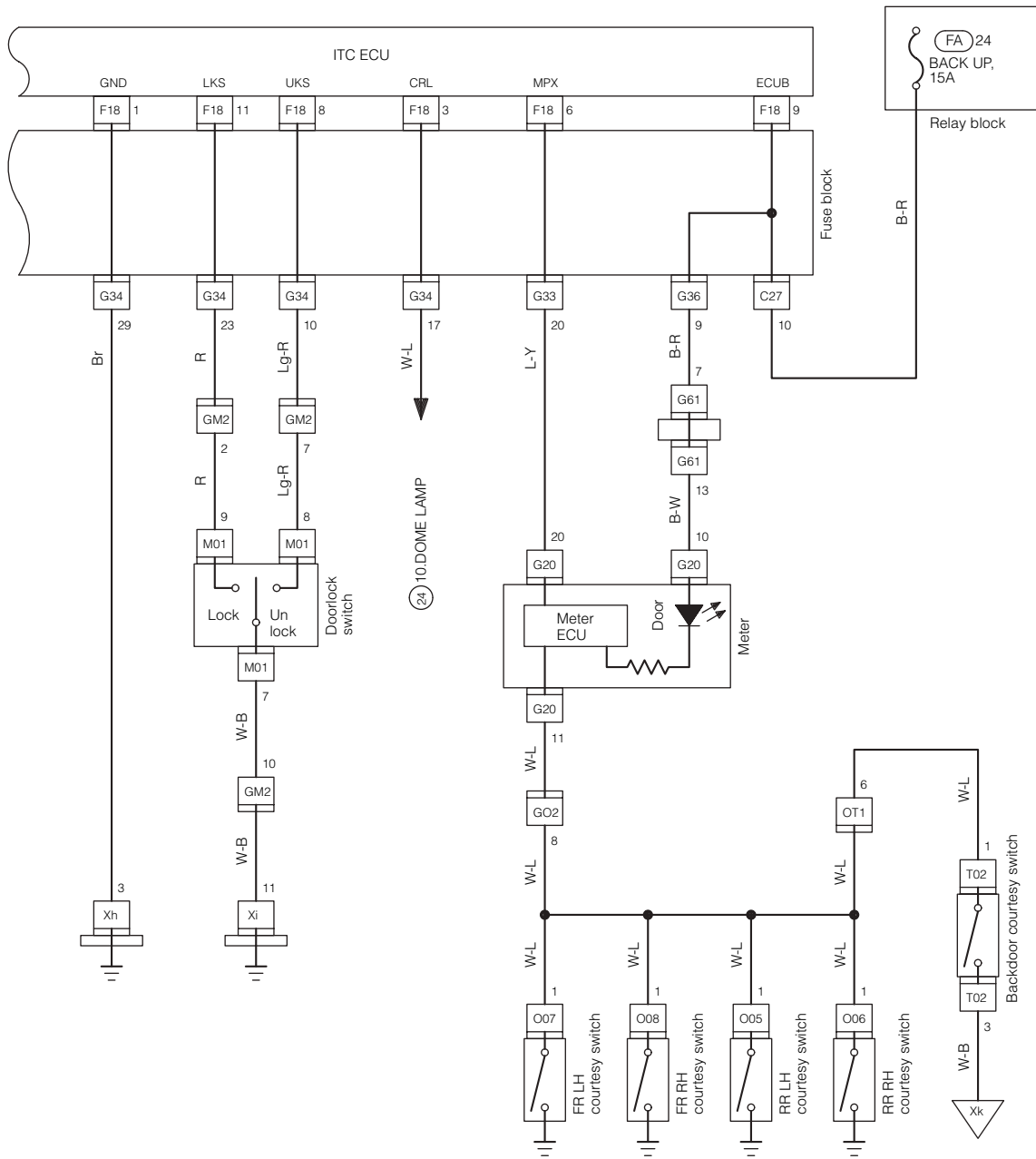


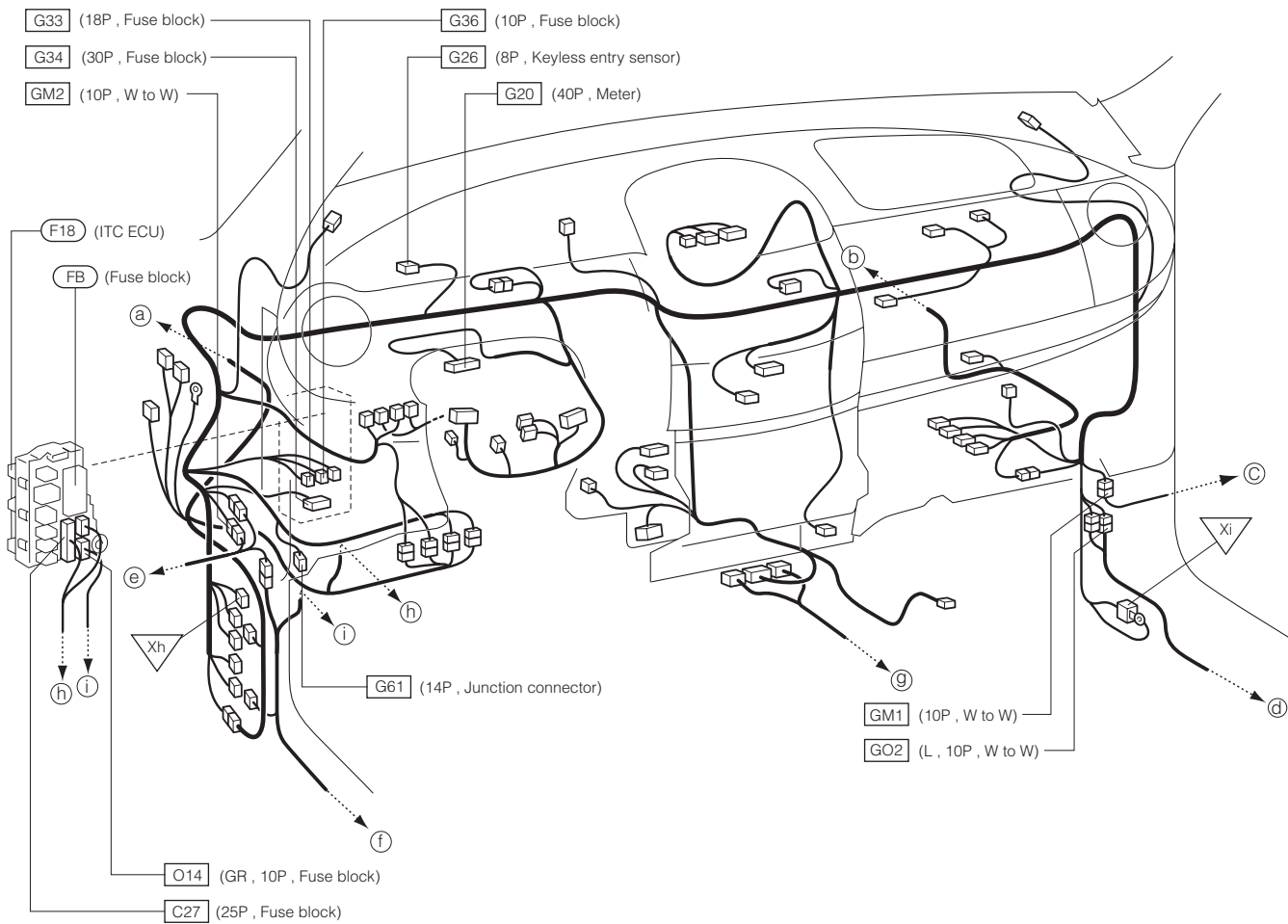
## 11-2 LHD VEHICLE

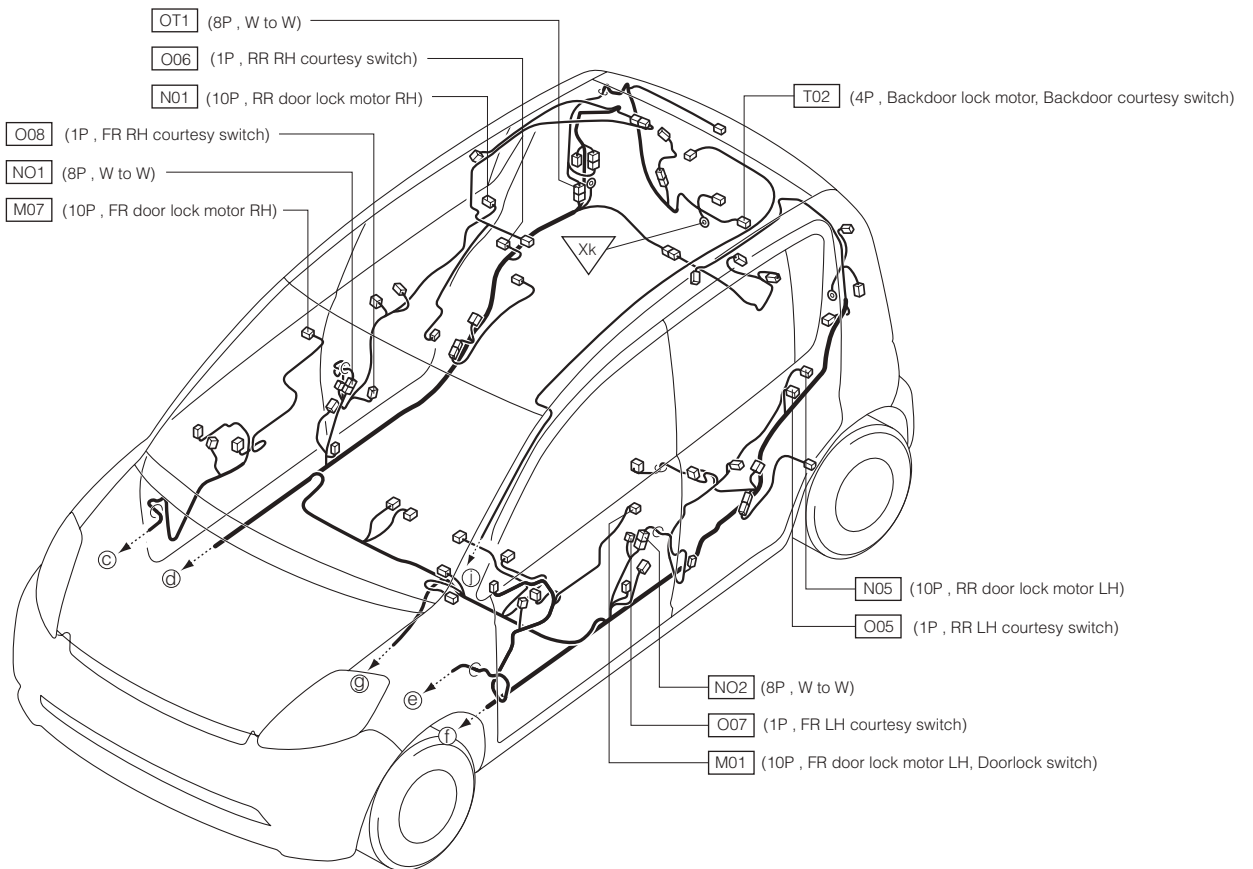
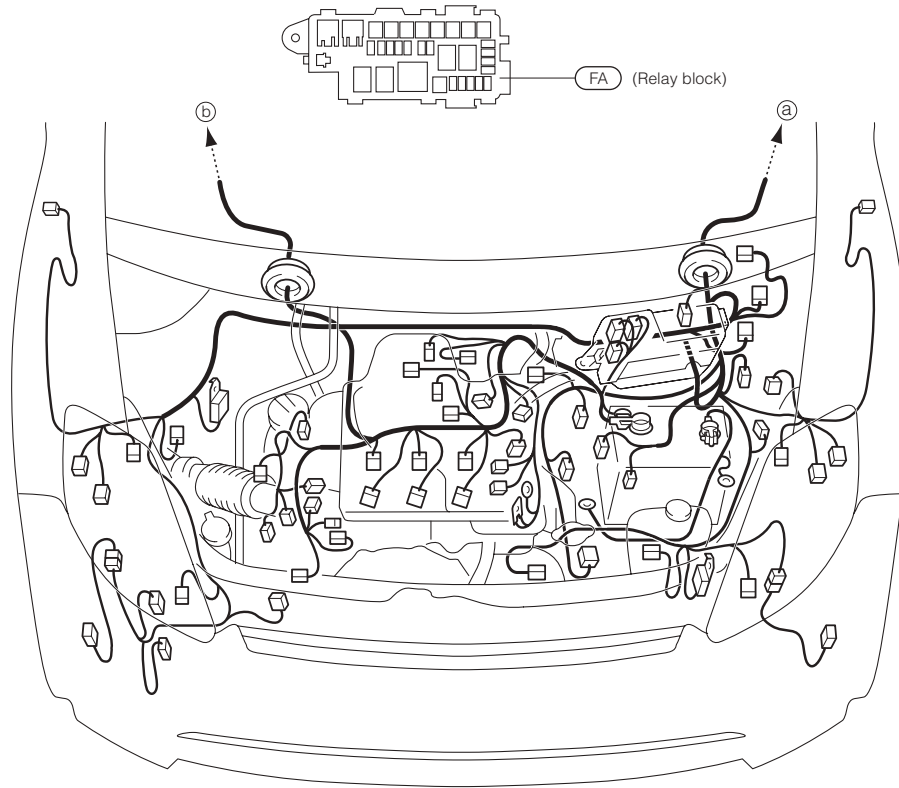


The hazard lamp having the answer back function is described in "19.Hazard Warning & Turn Signal Lamp."

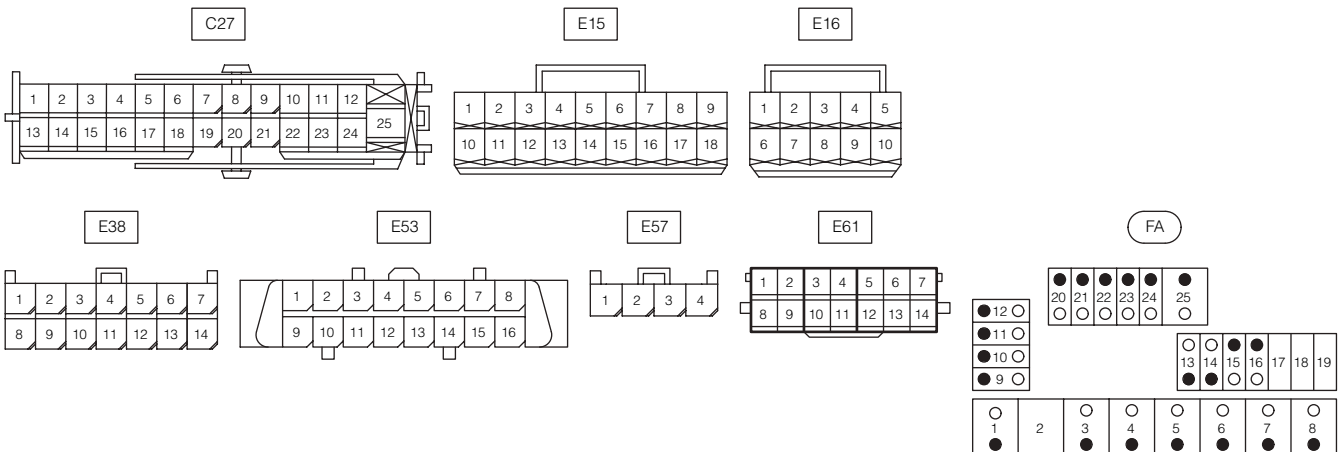
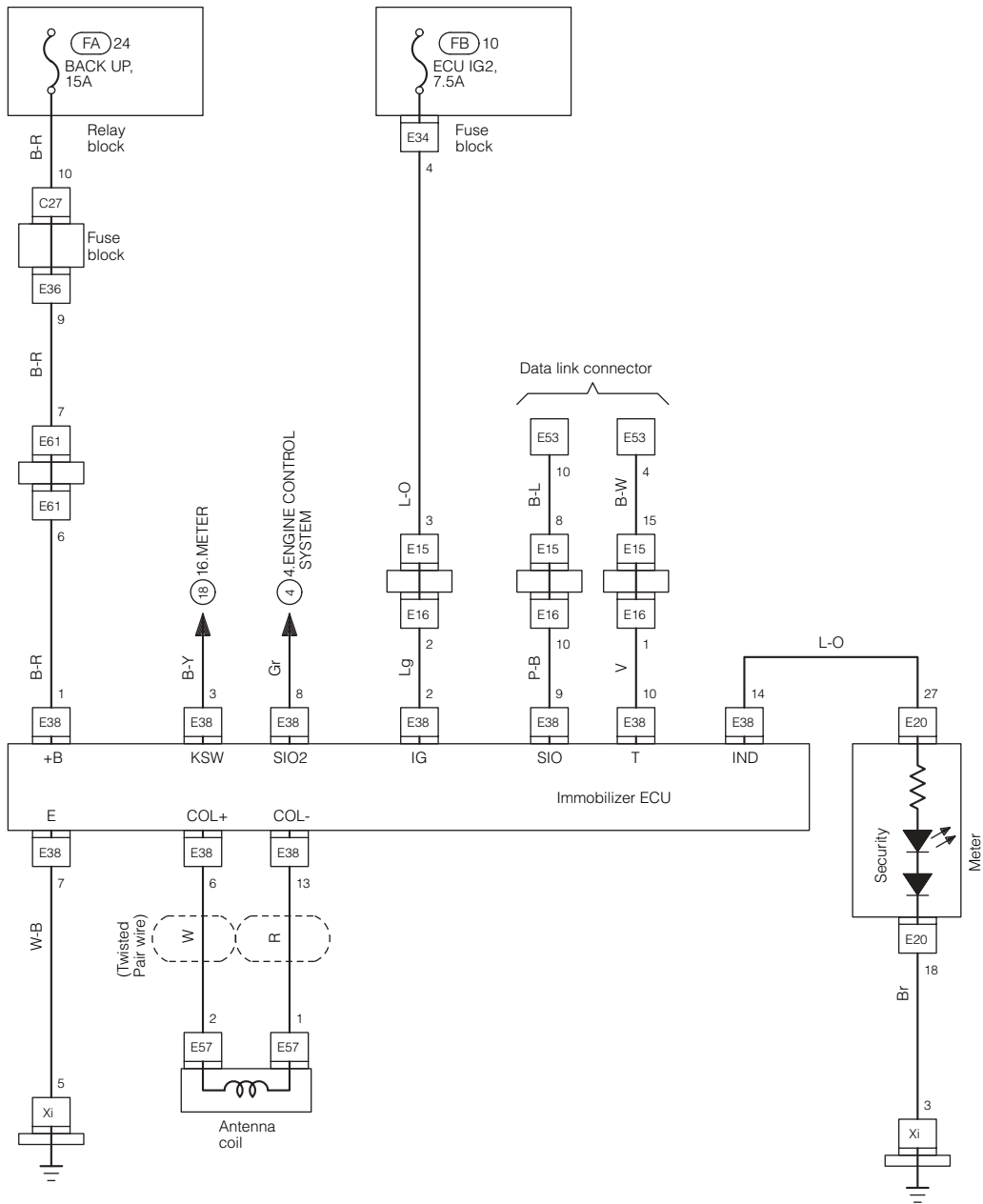


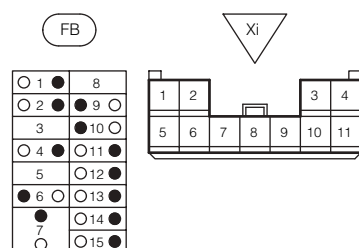
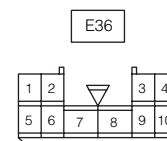
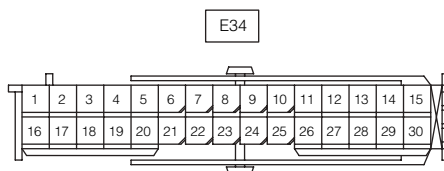


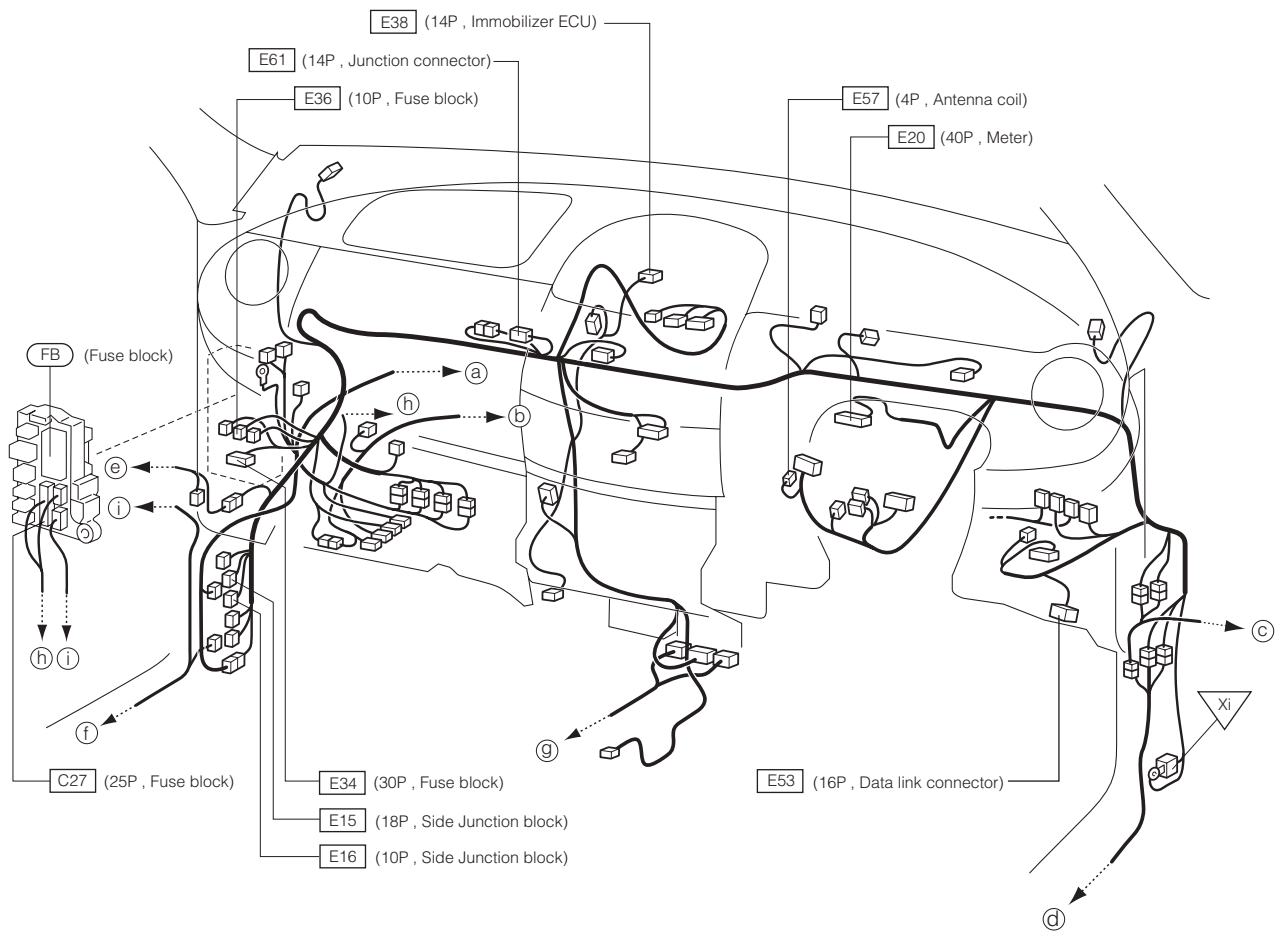




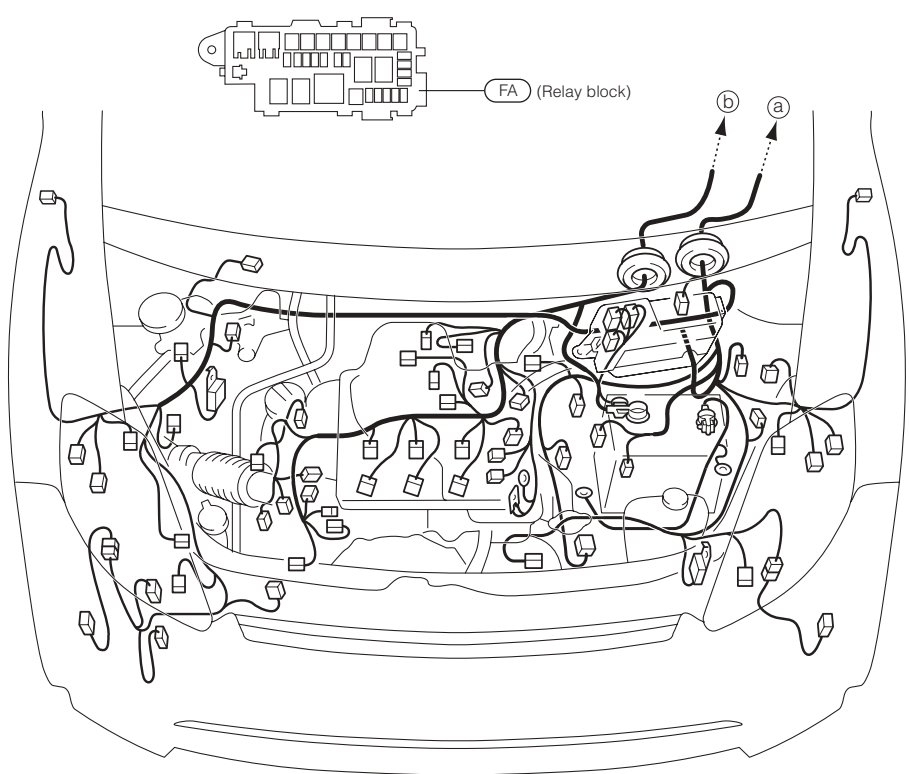
## 12 IMMOBILIZER SYSTEM 12-1 RHD VEHICLE



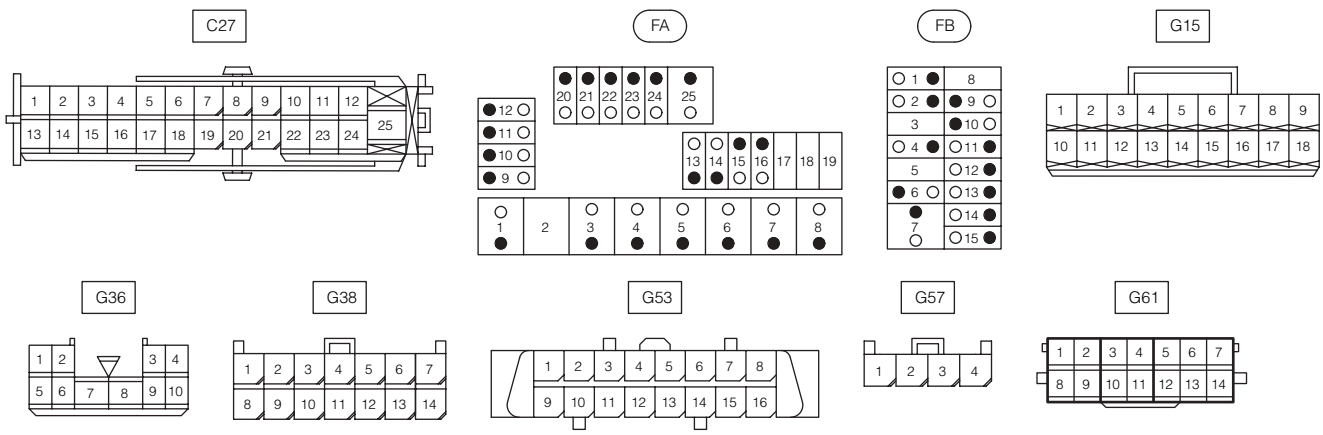
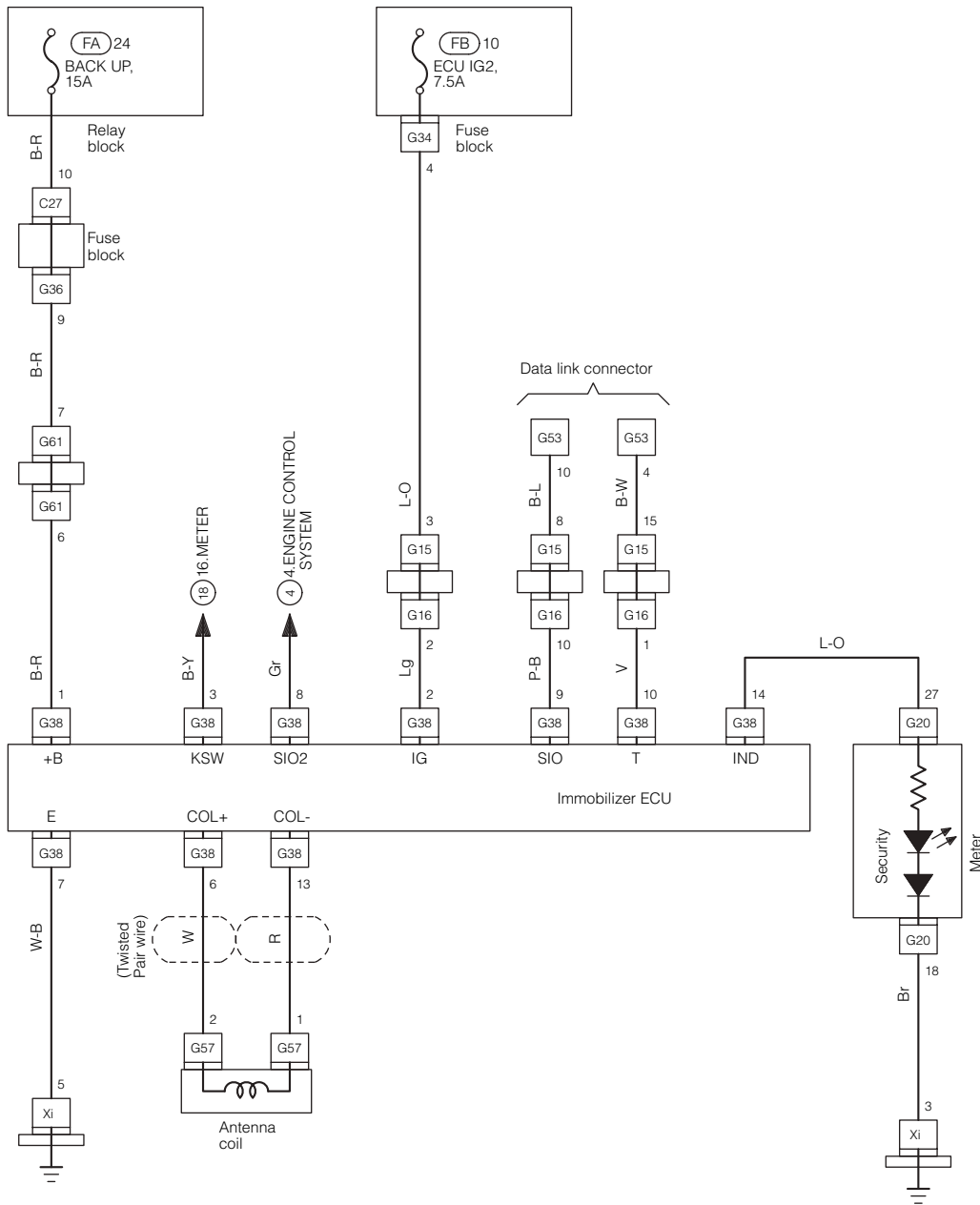


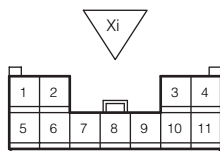
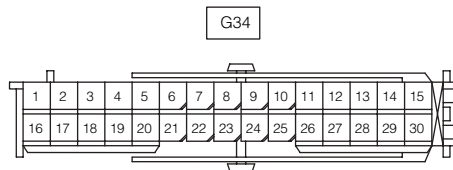
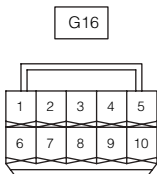


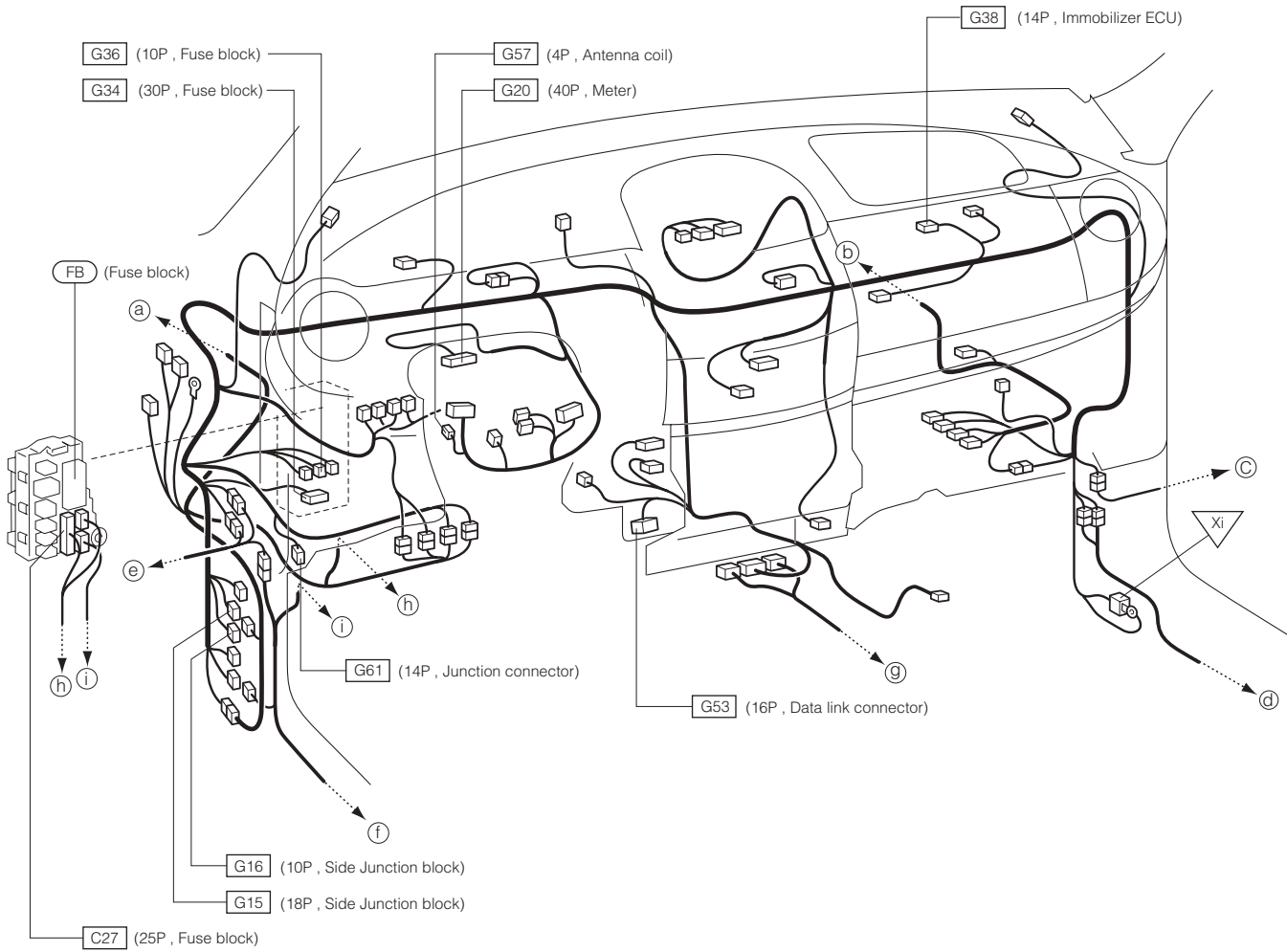


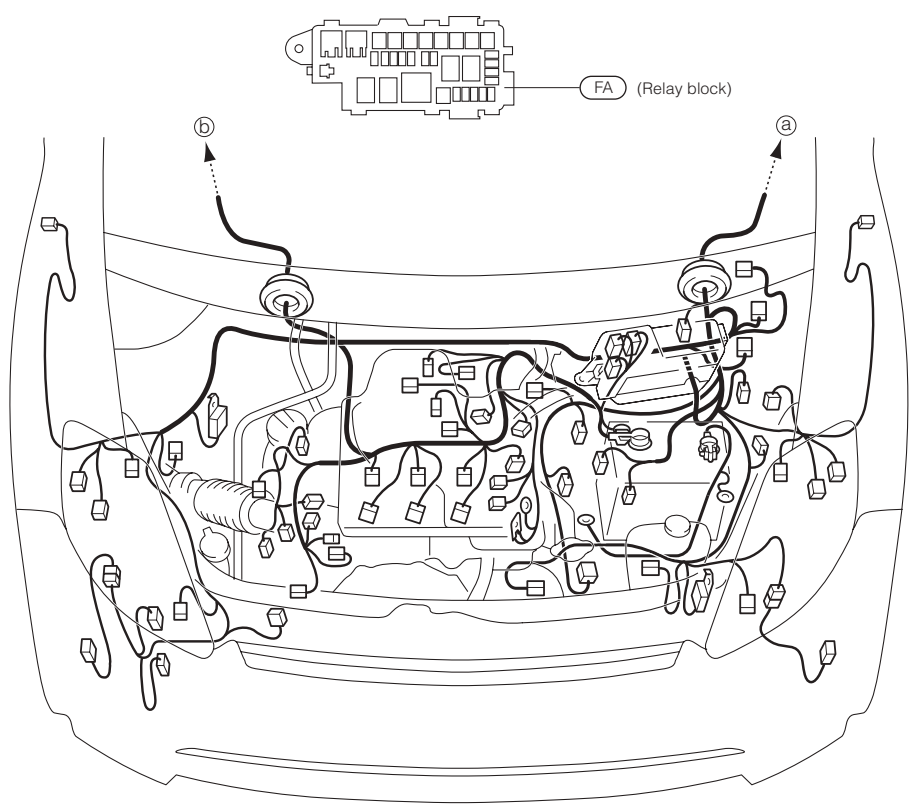


## 12-2 LHD VEHICLE



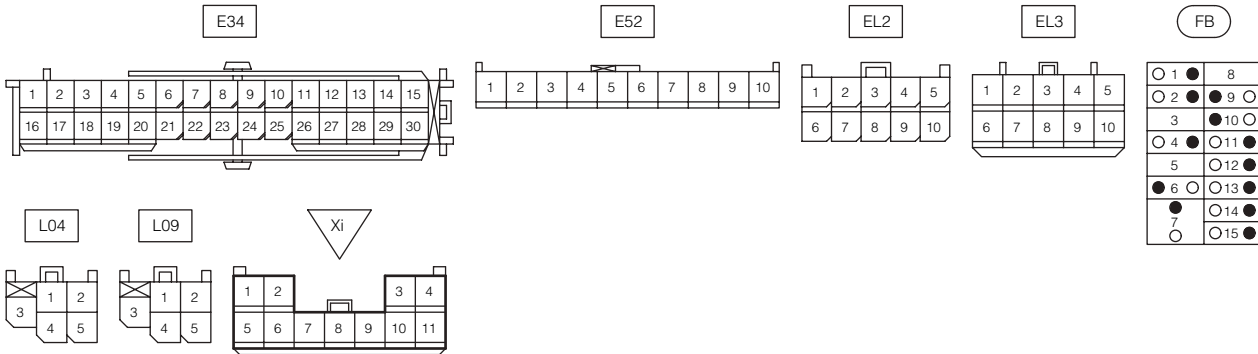
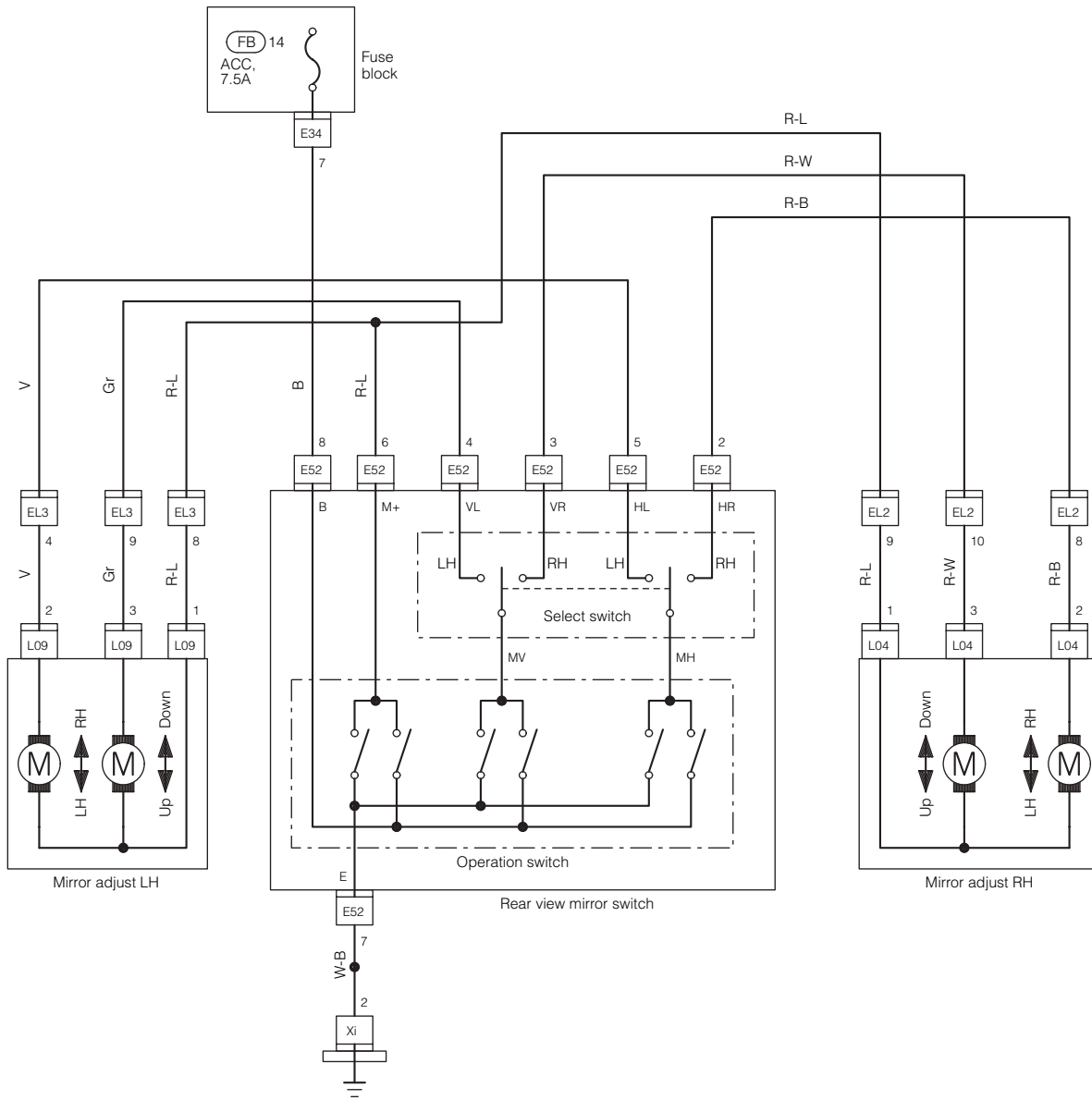




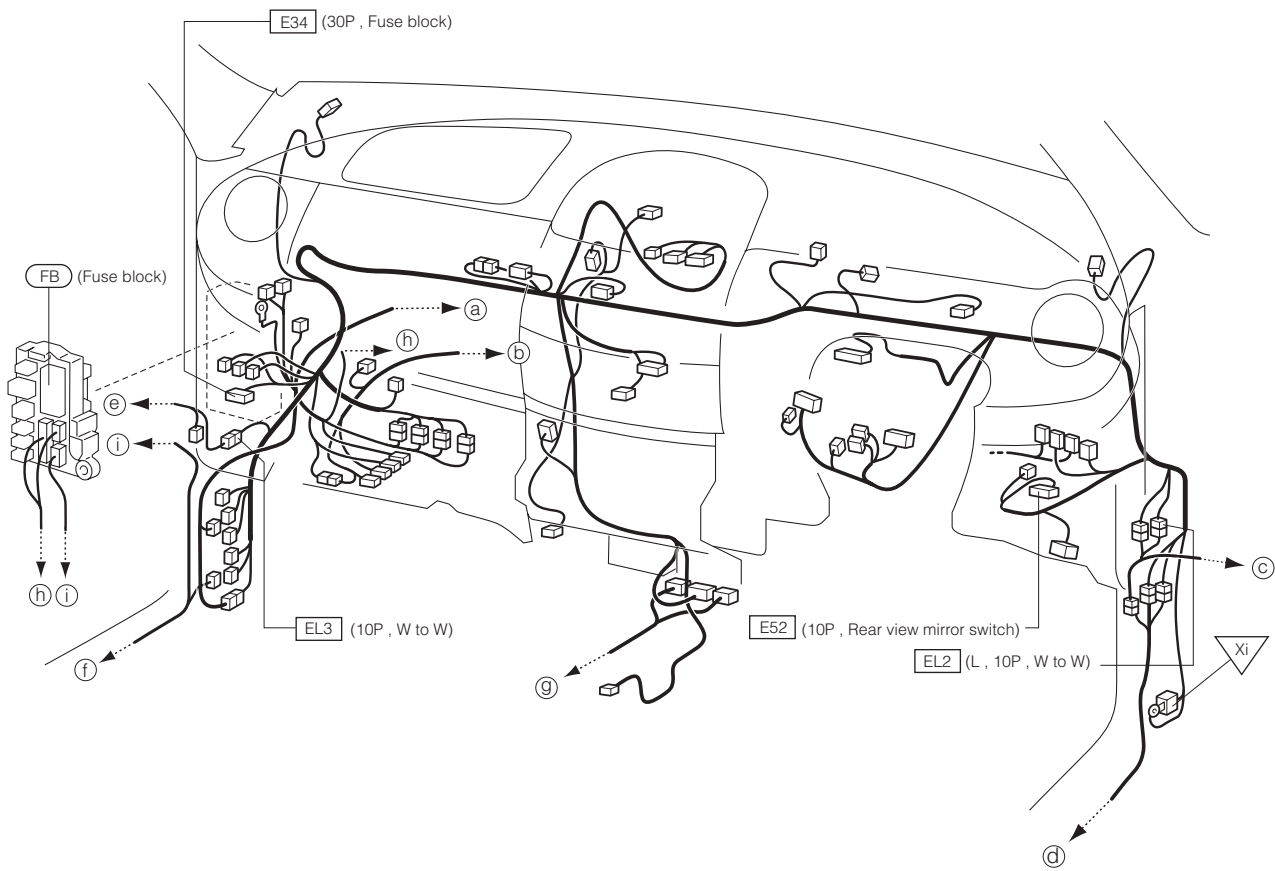


# D-117

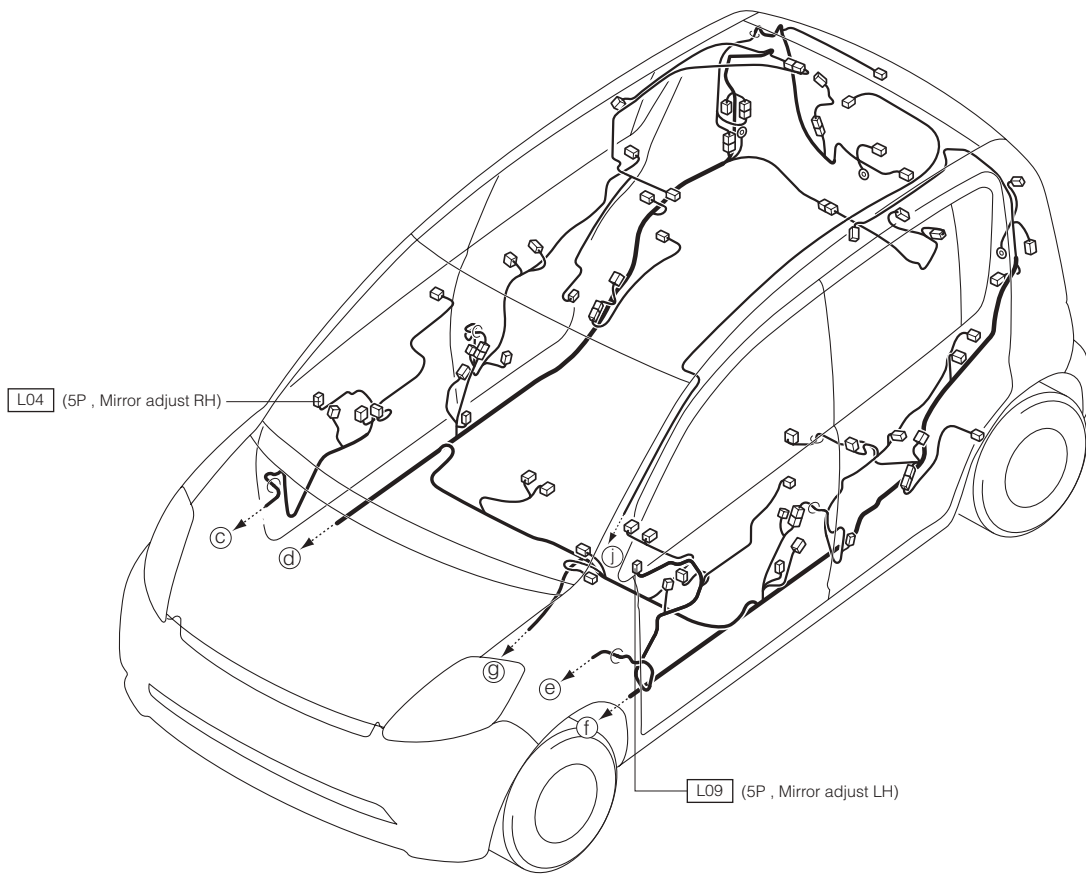
## 13 OUTER REAR-VIEW MIRROR 13-1 RHD VEHICLE



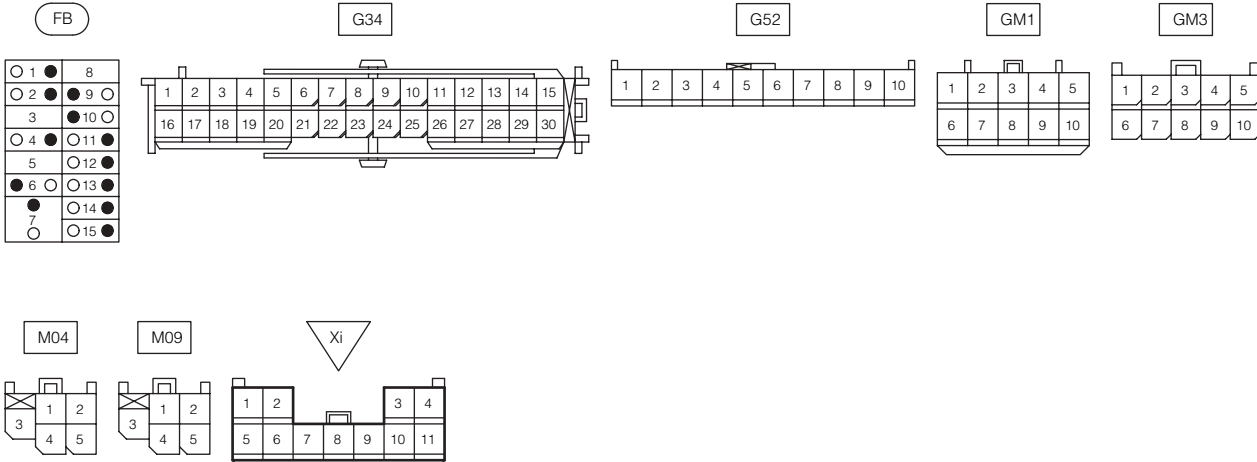
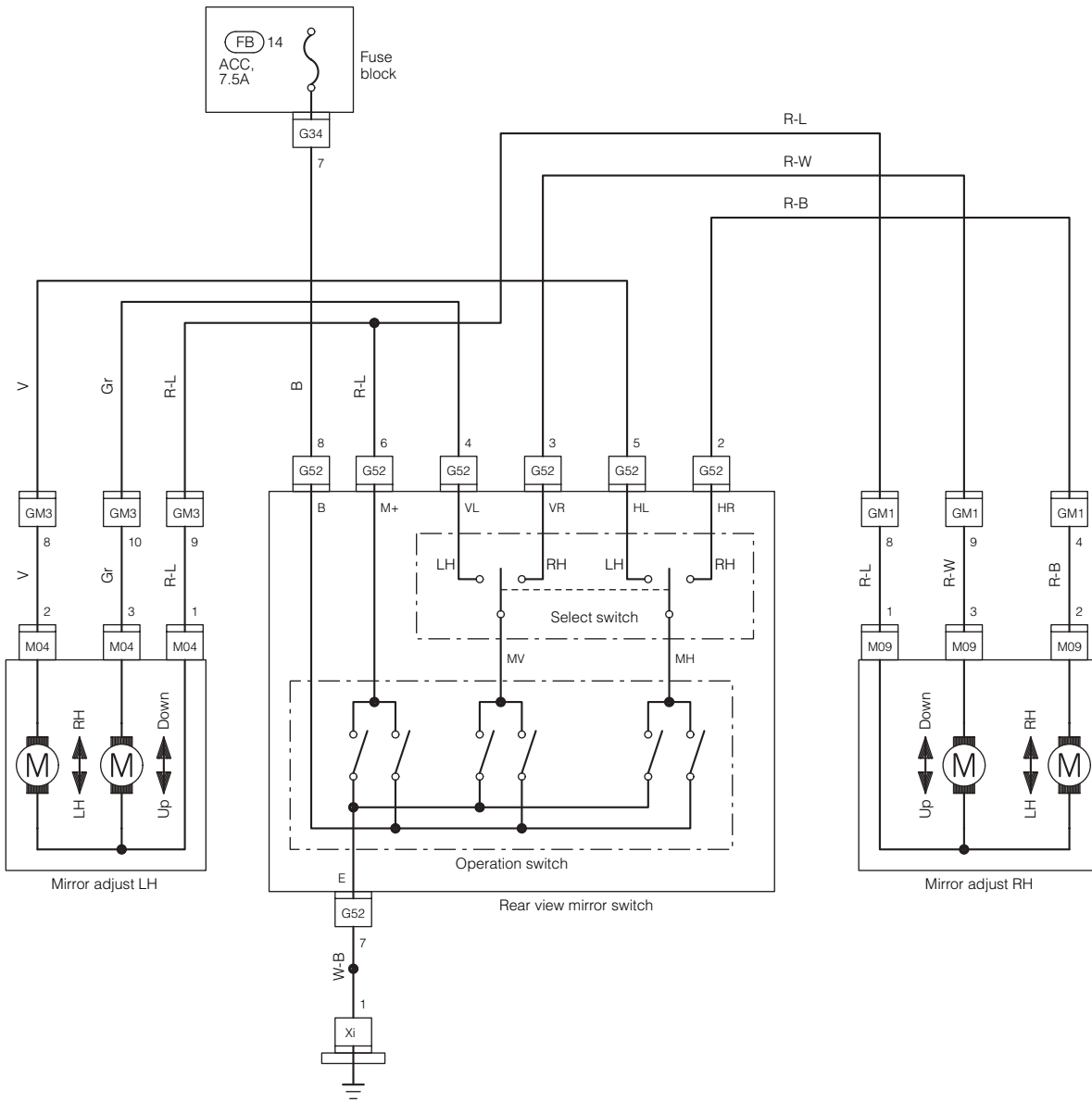
(MEMO)



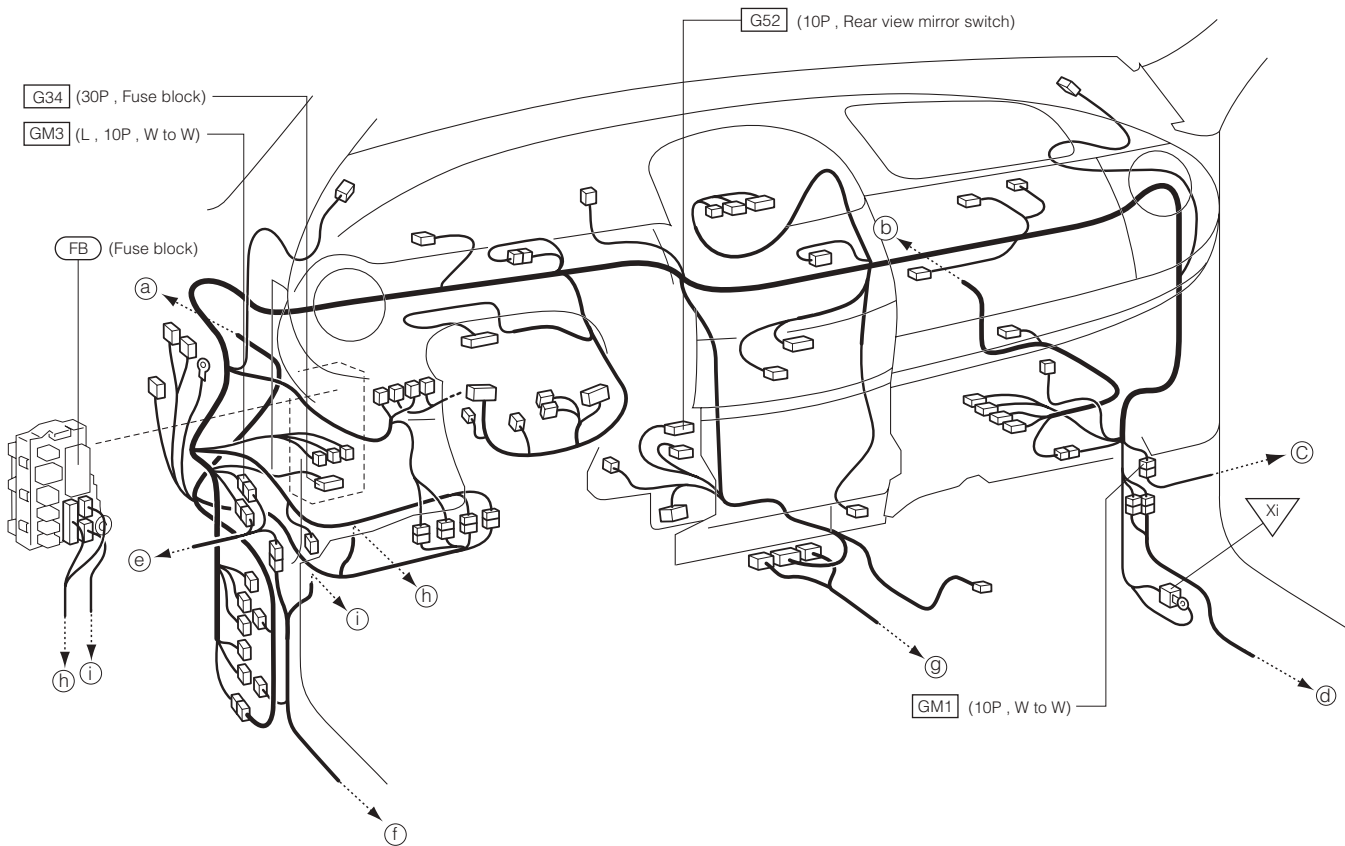


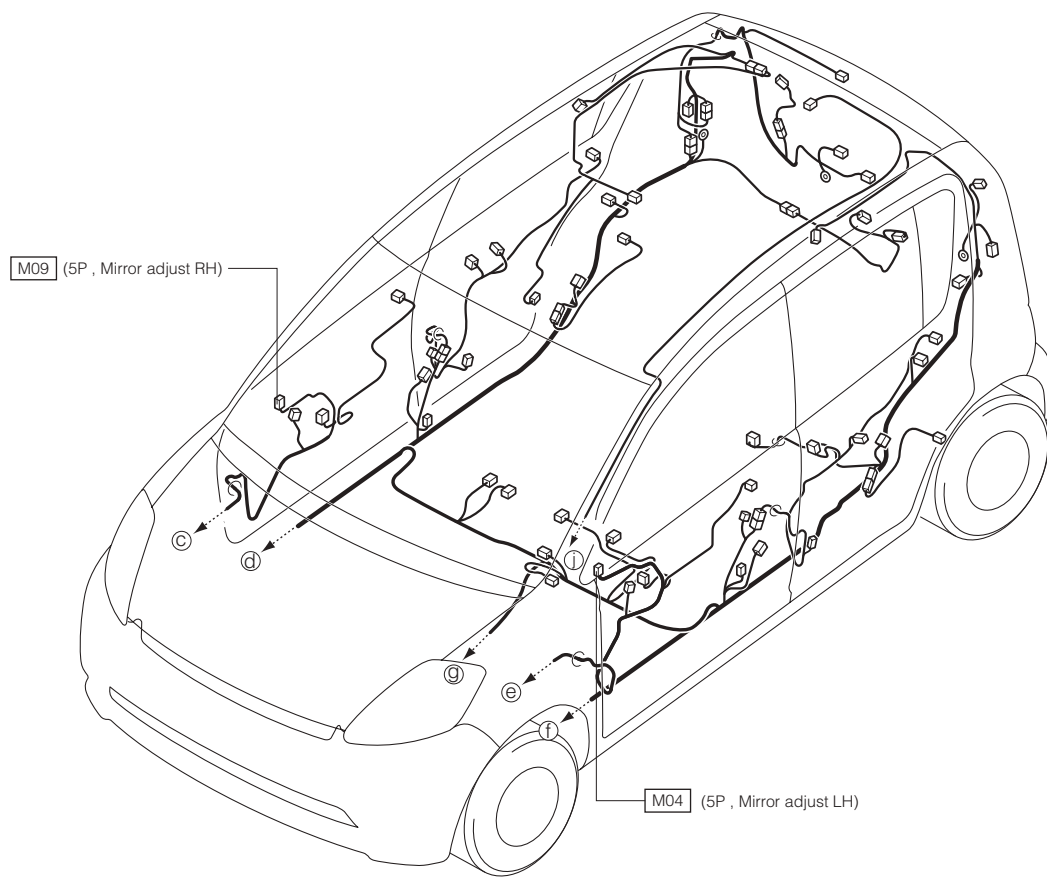


## 13-2 LHD VEHICLE



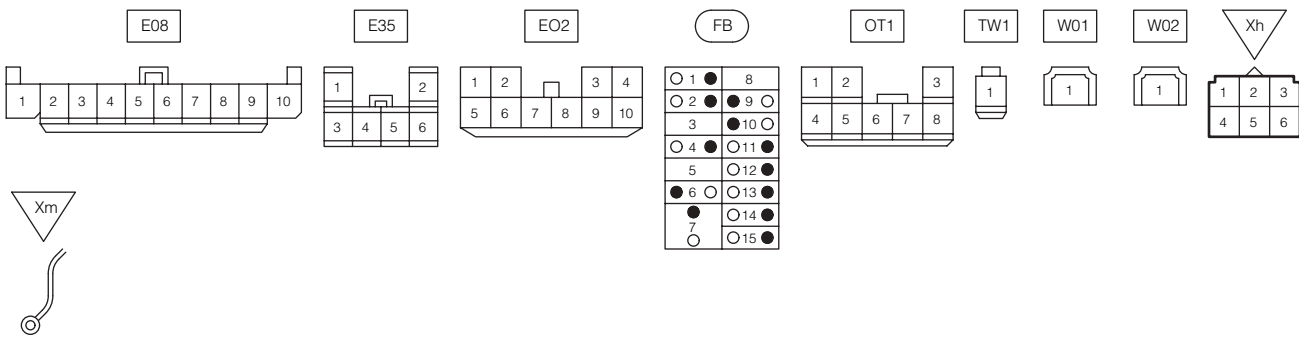
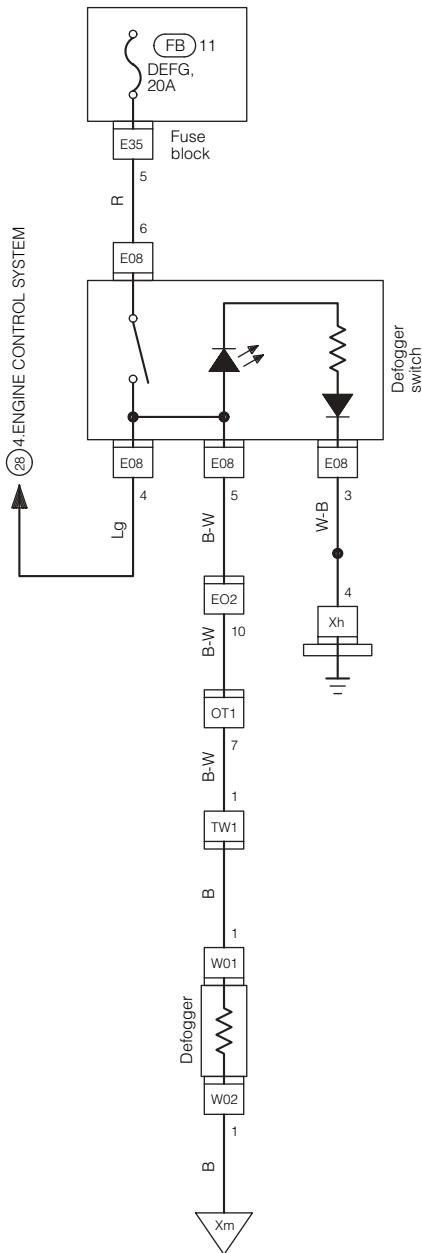
(MEMO)



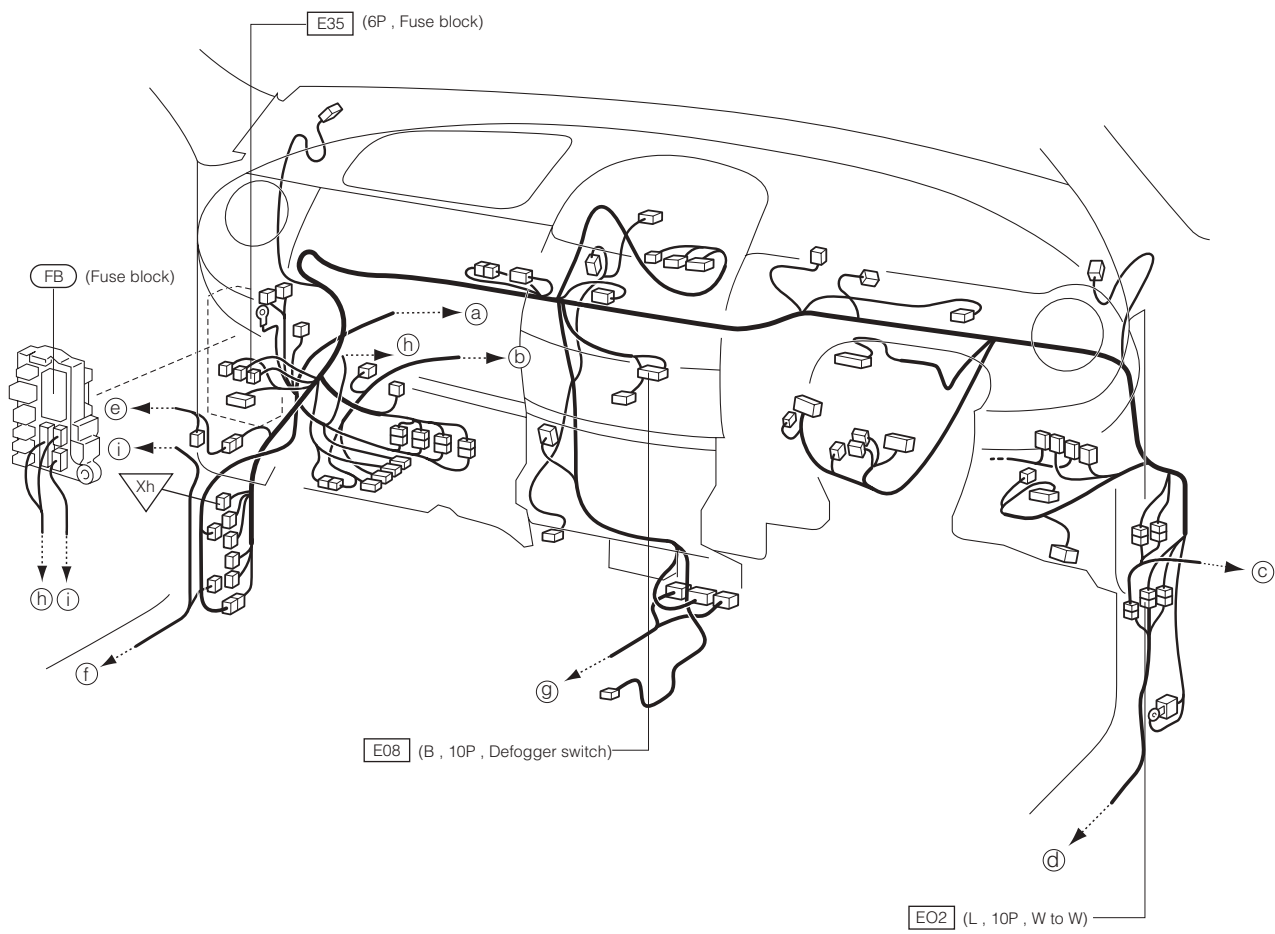


# D-125

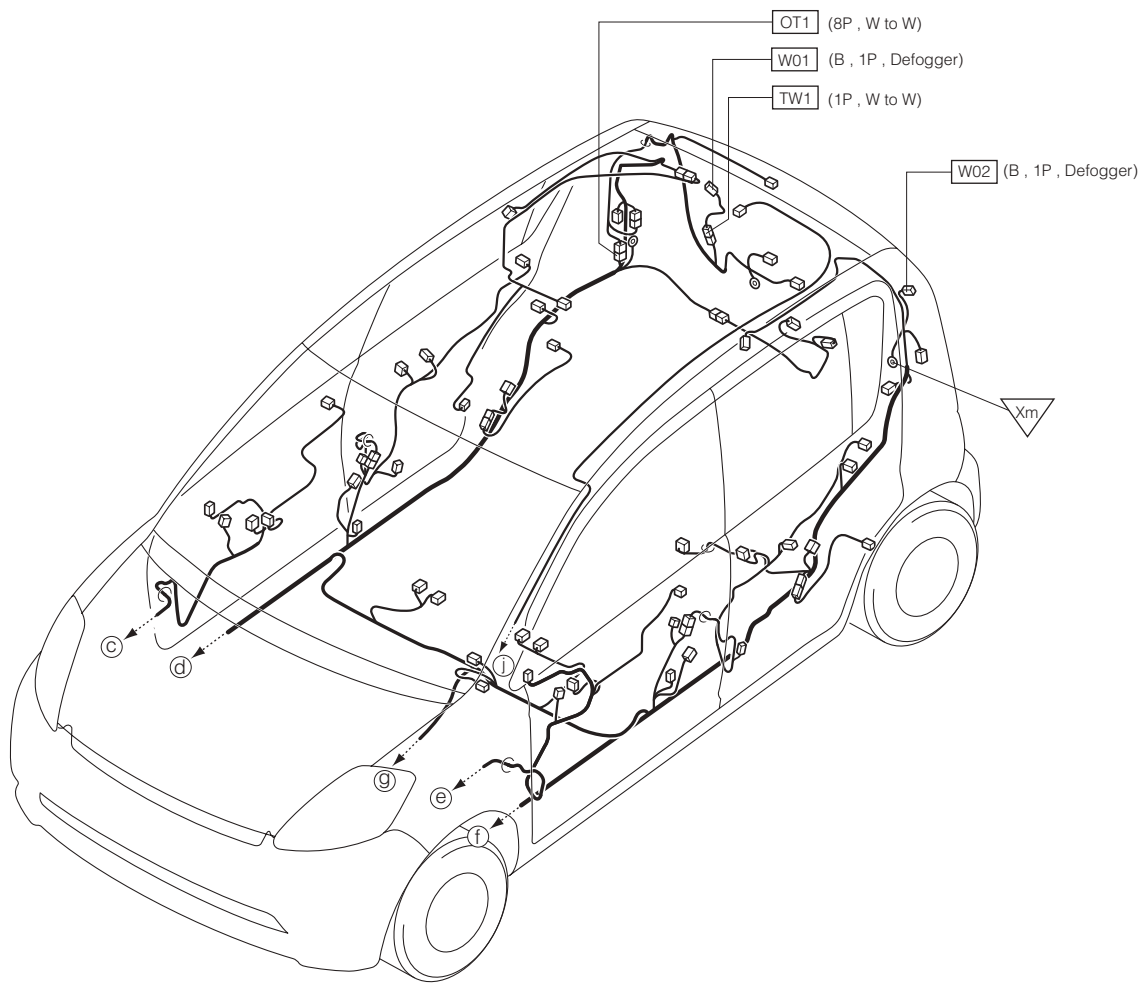
## 14 REAR WINDOW DEFOGGER 14-1 RHD VEHICLE



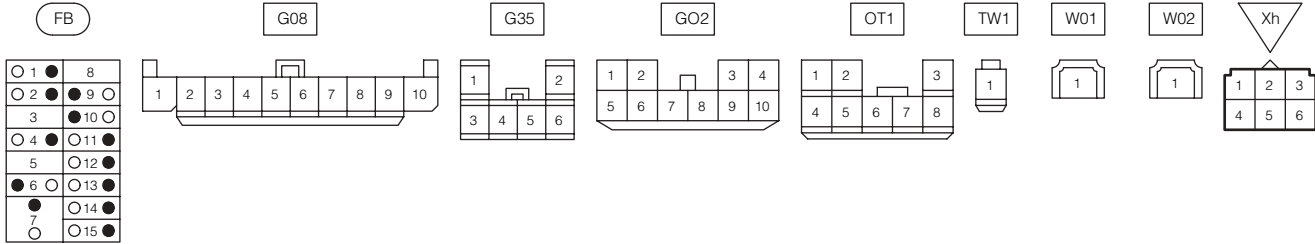
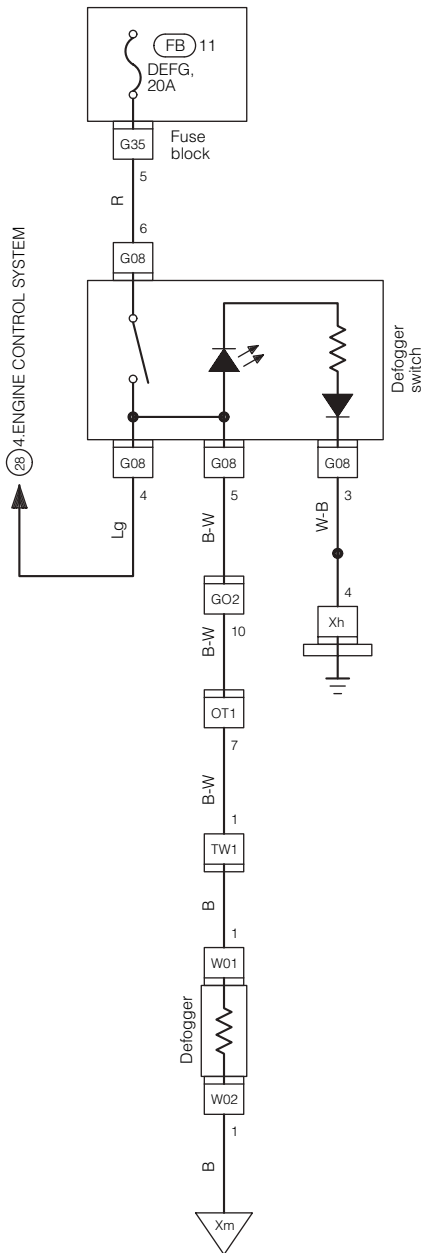
(MEMO)



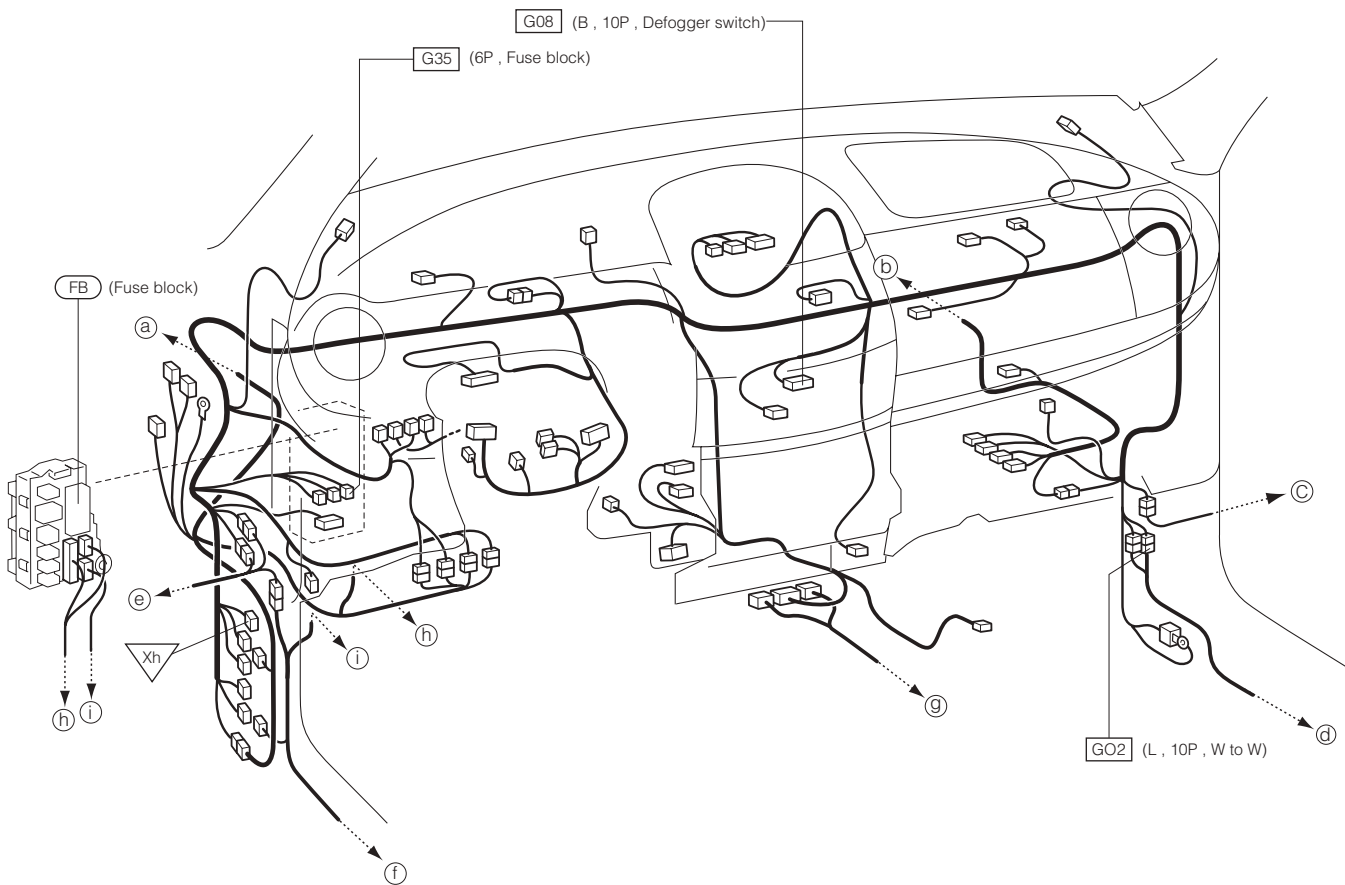


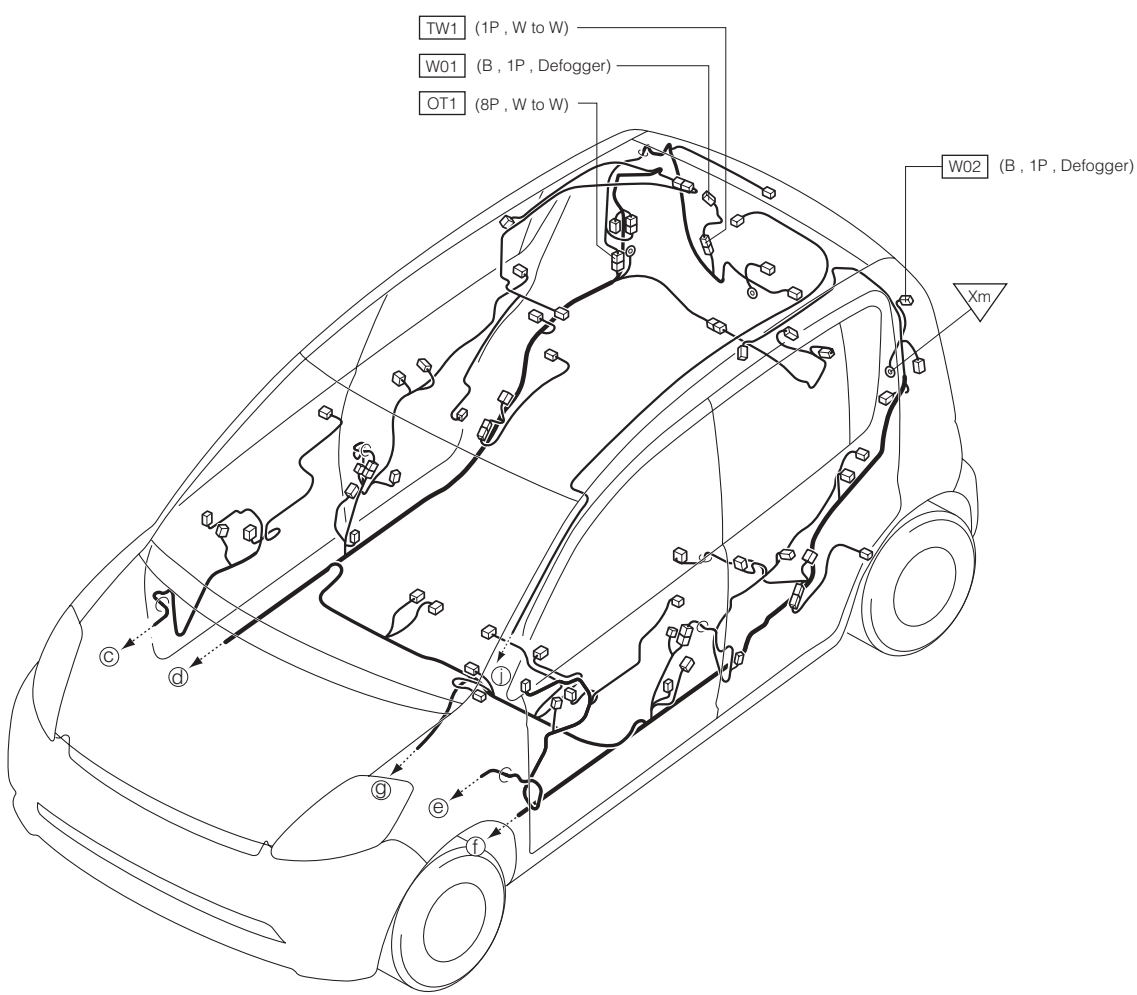


## 14-2 LHD VEHICLE



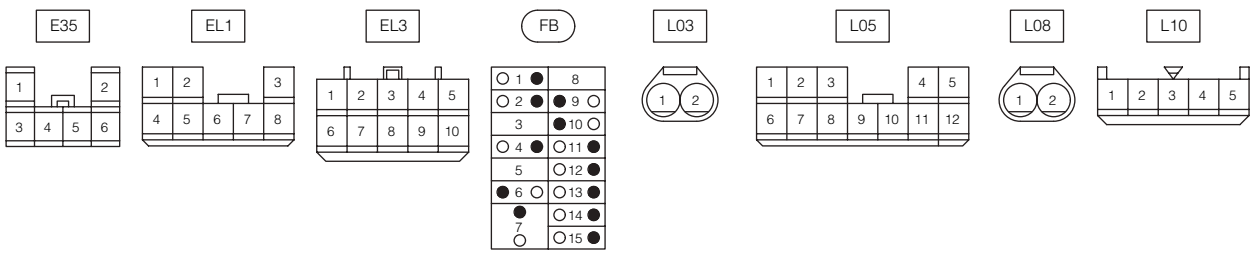
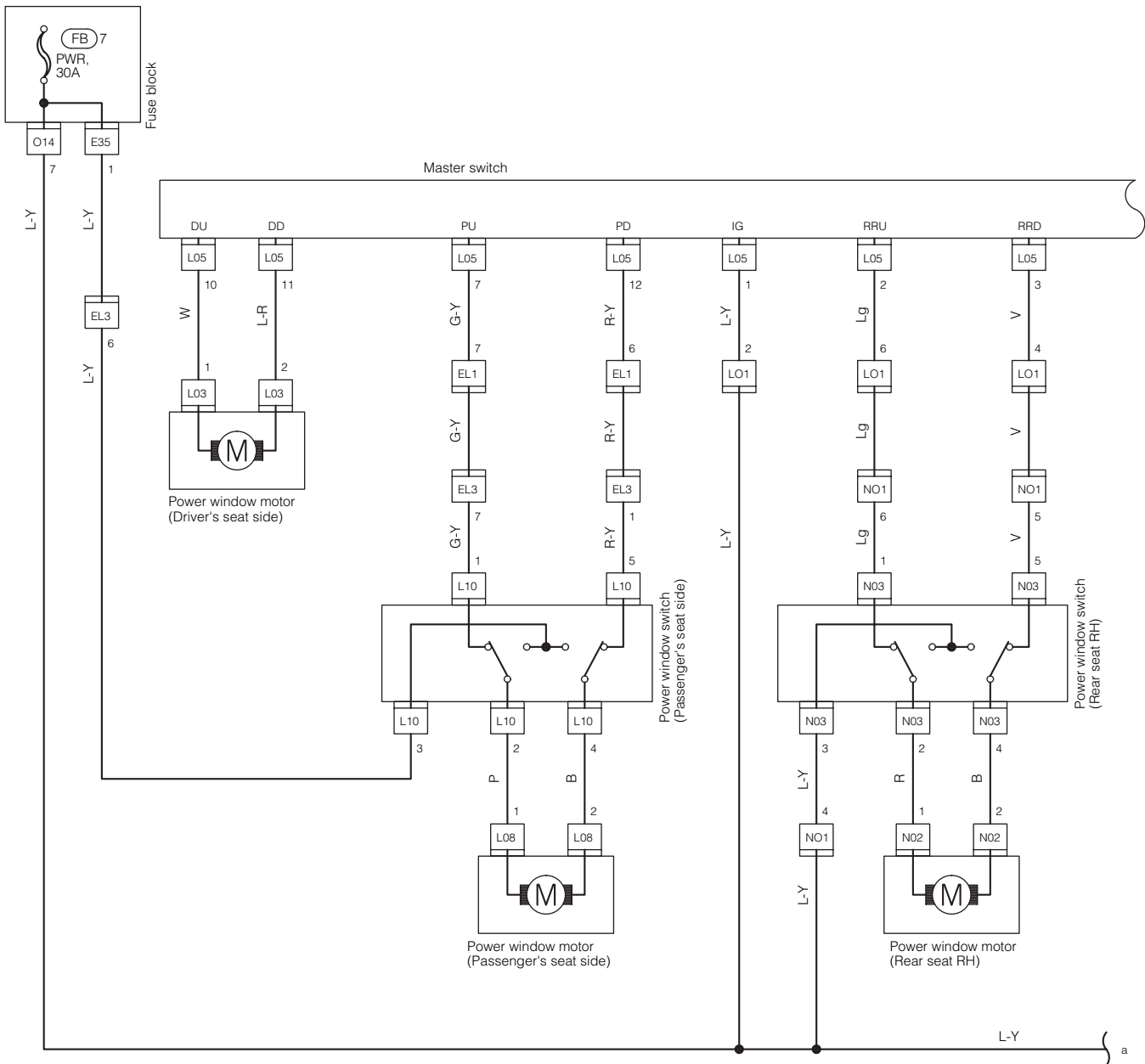
(MEMO)

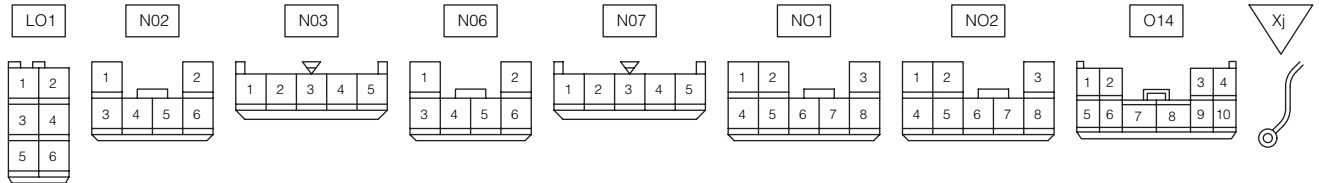
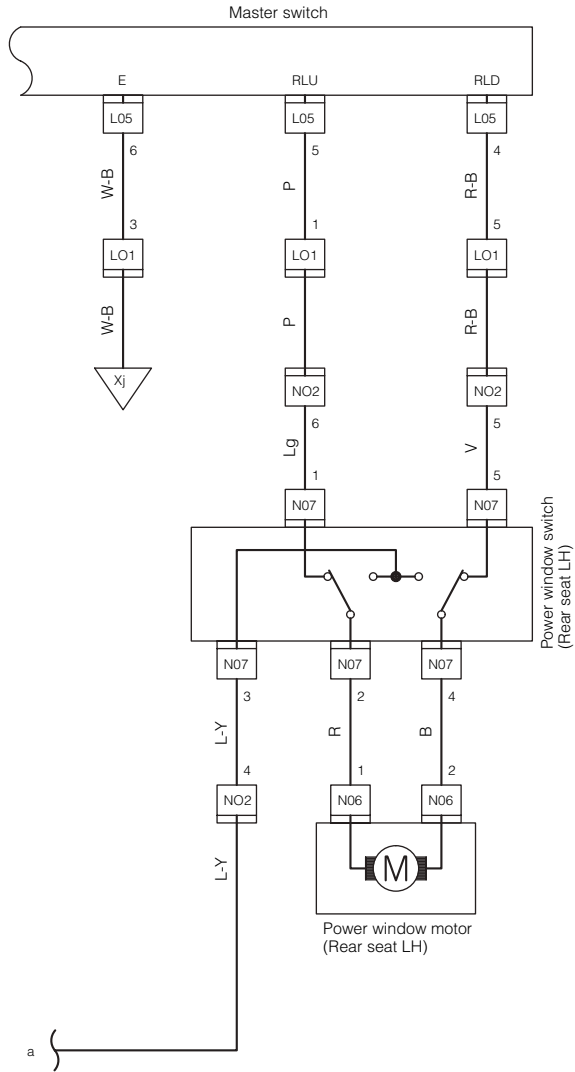


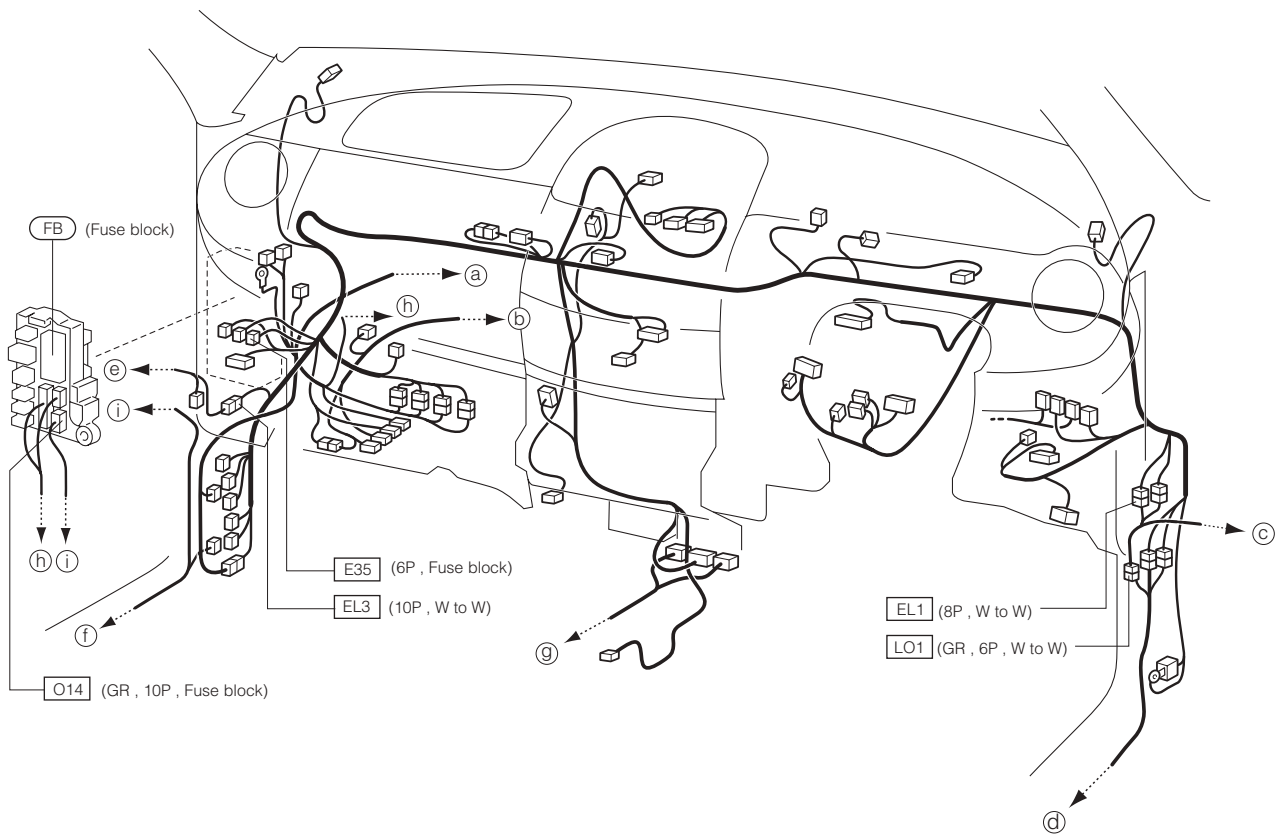


# D-133

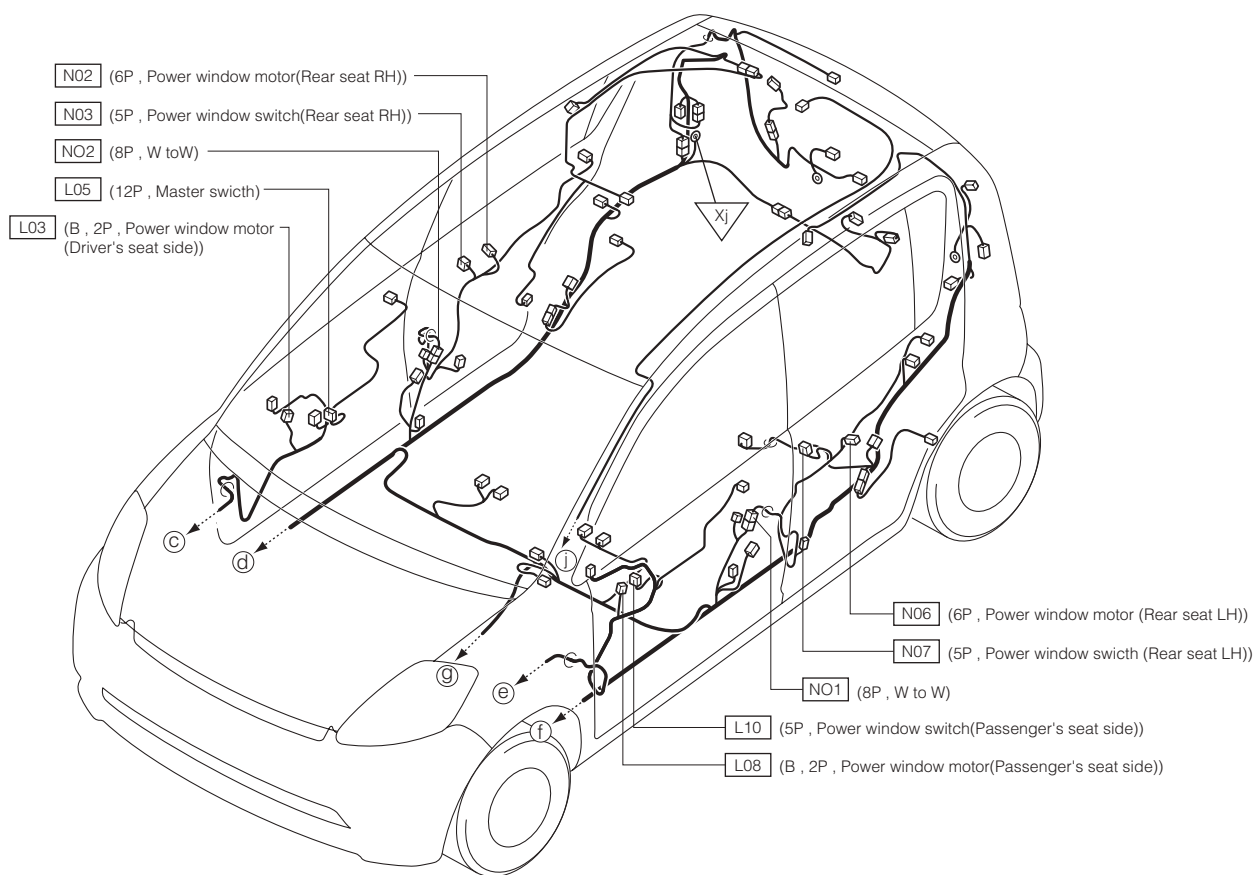
## 15 POWER WINDOW 15-1 RHD VEHICLE



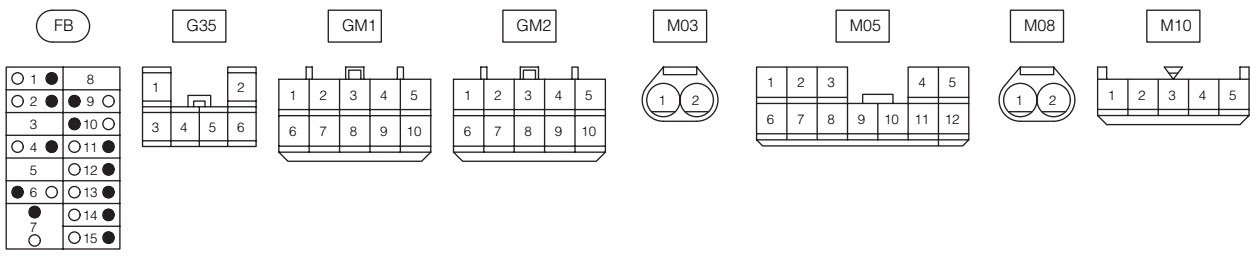
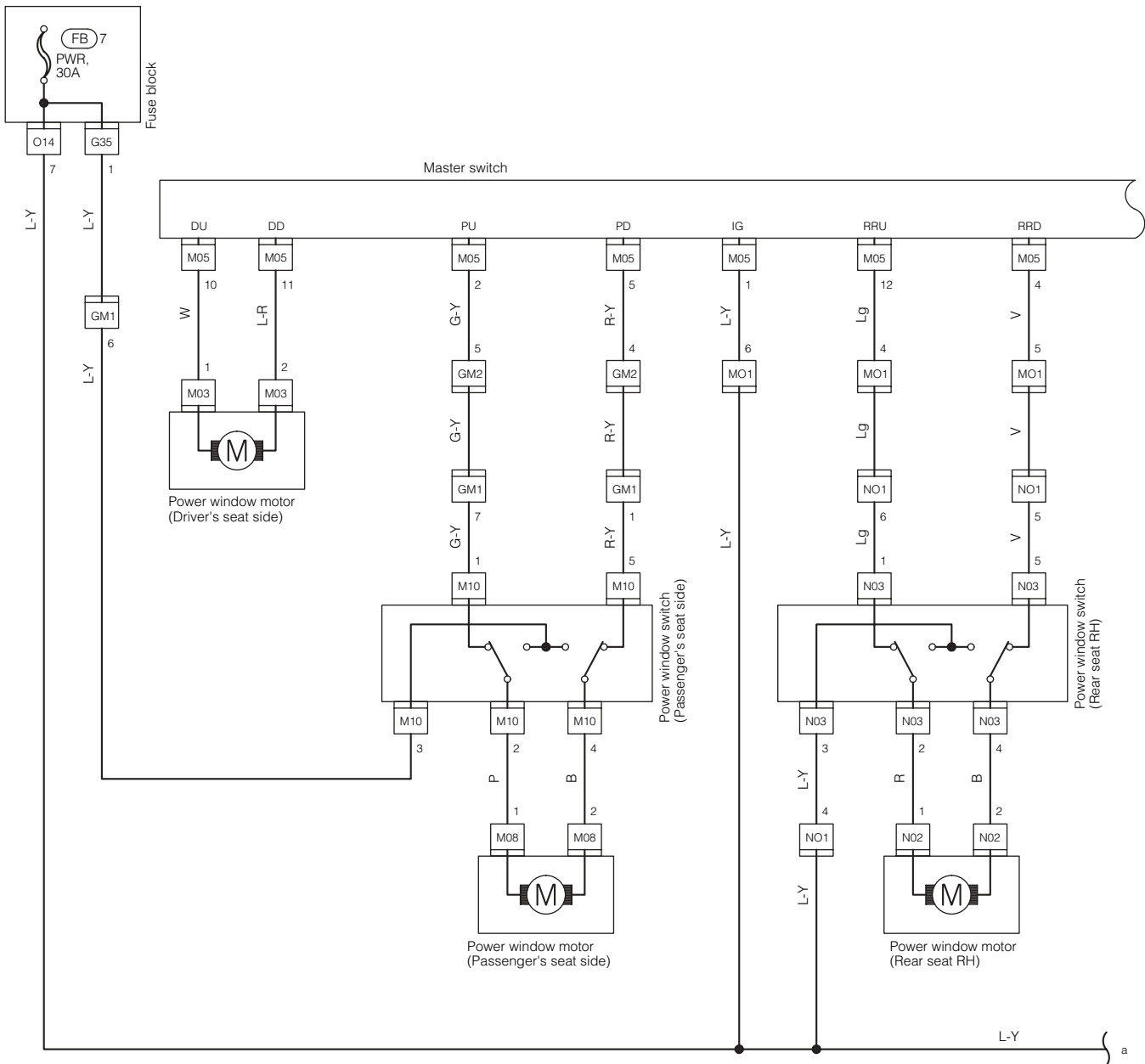


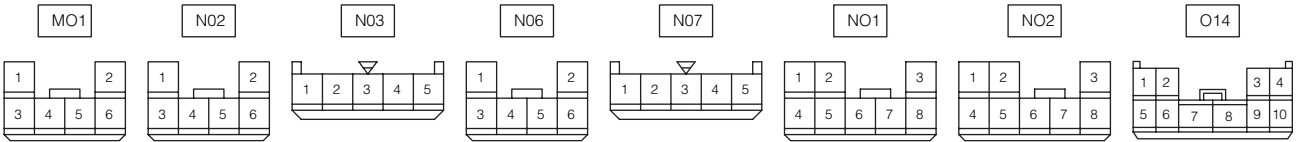
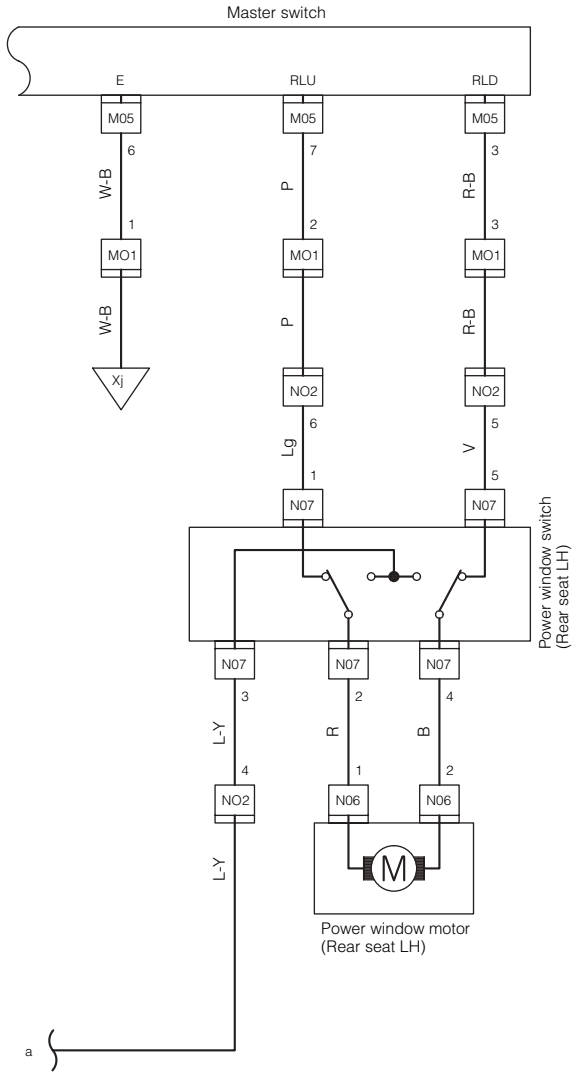


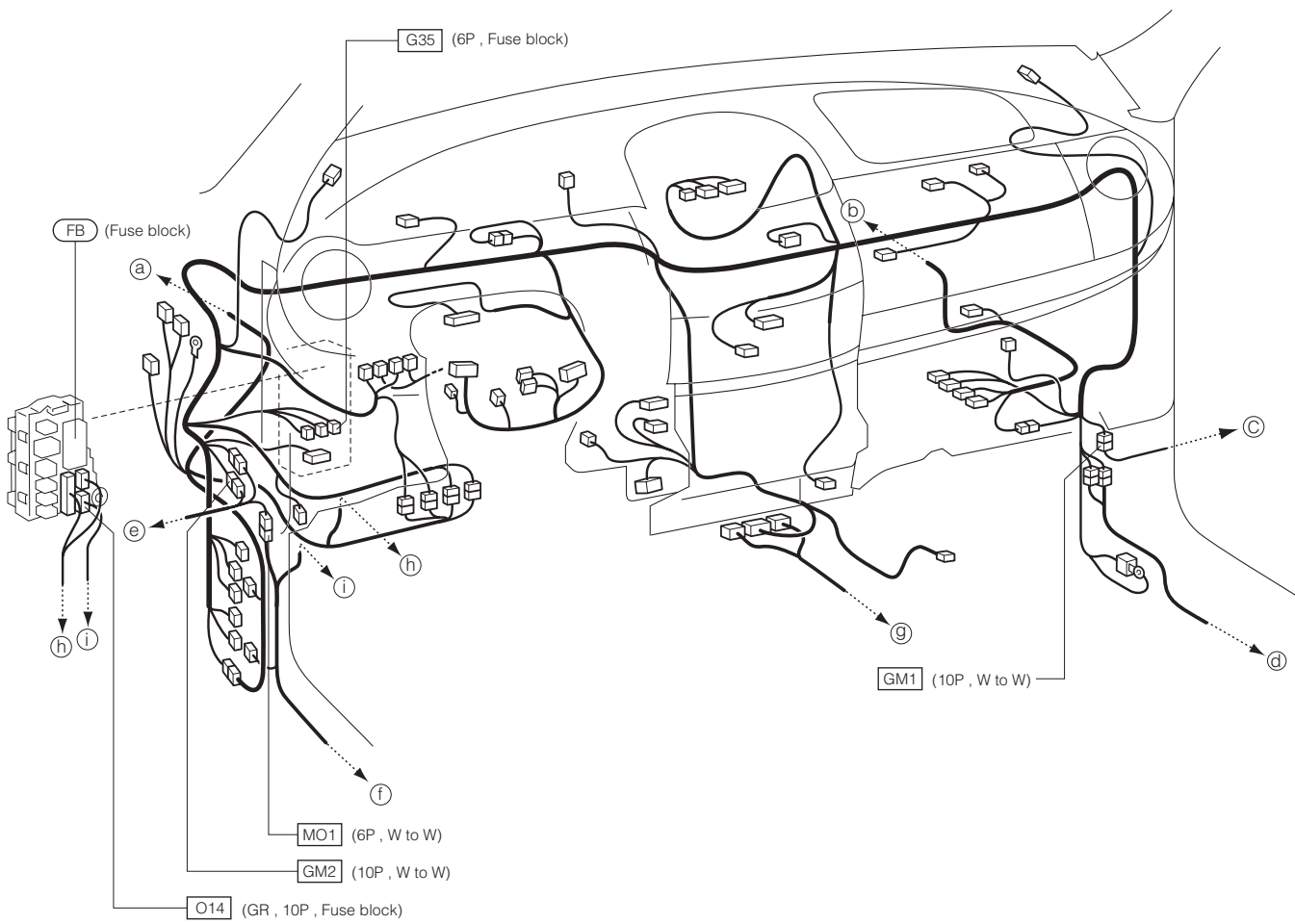


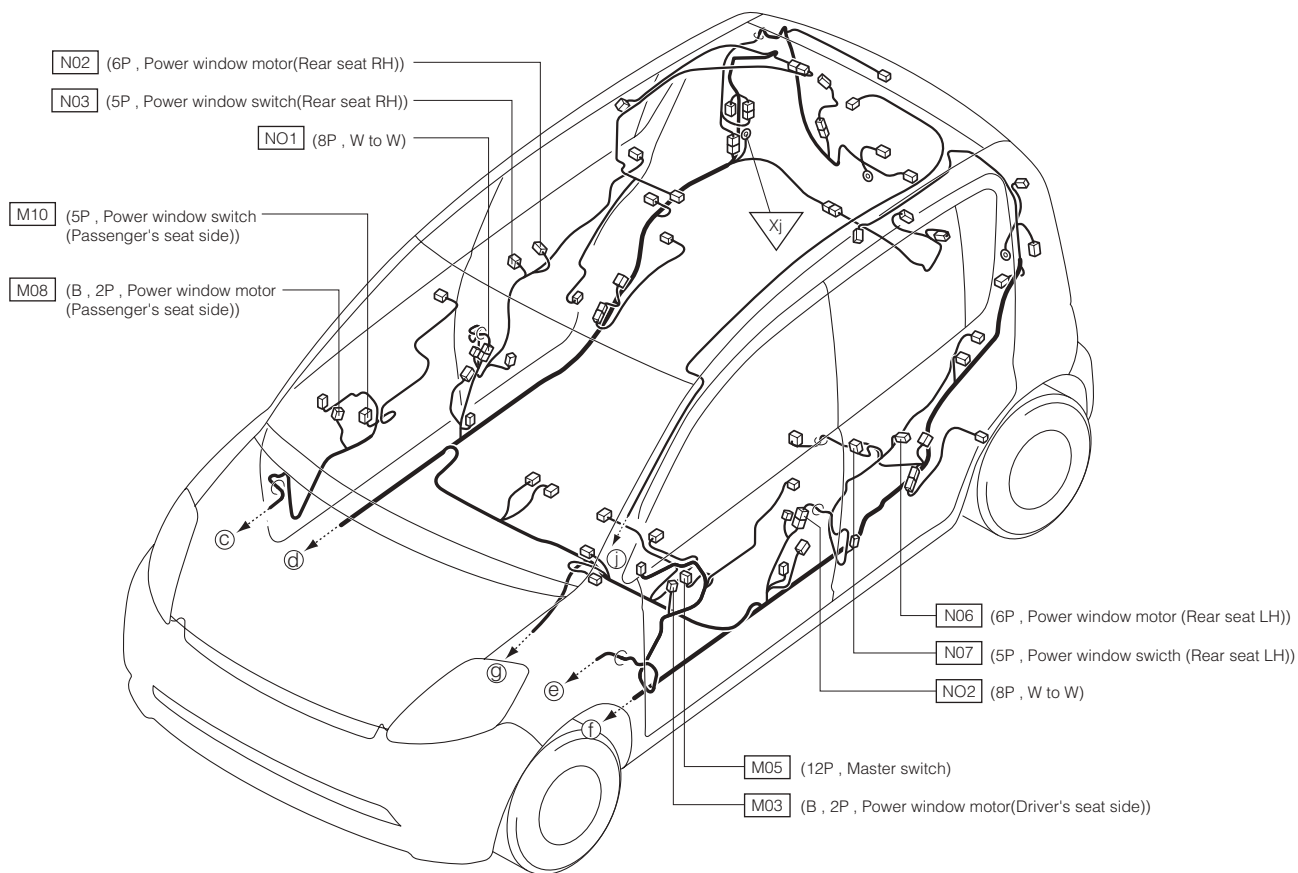


## 15-2 LHD VEHICLE

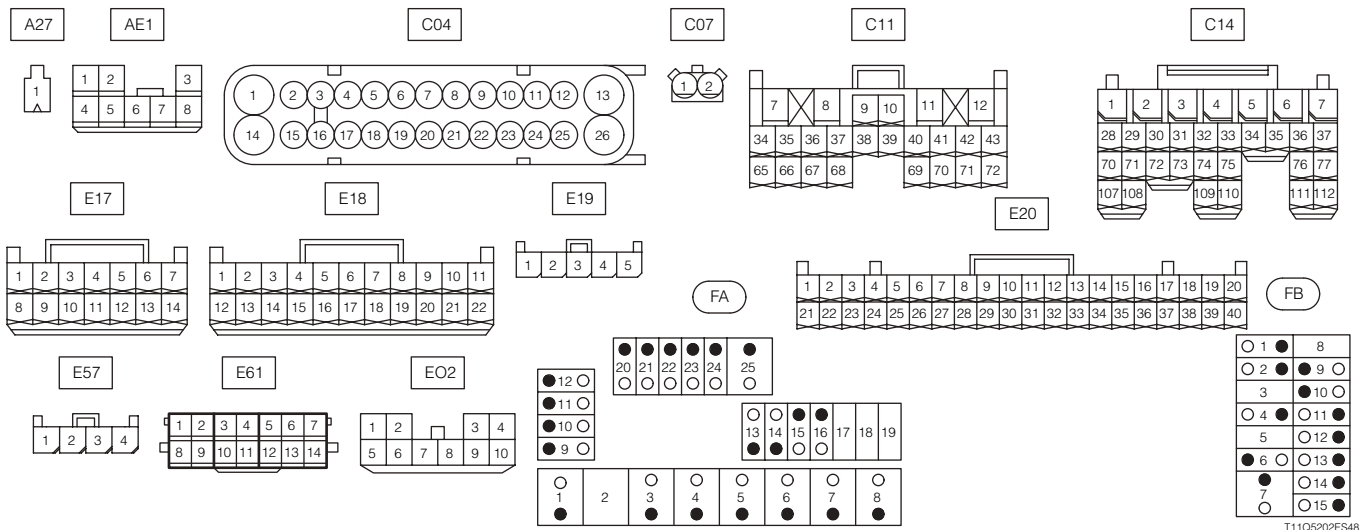
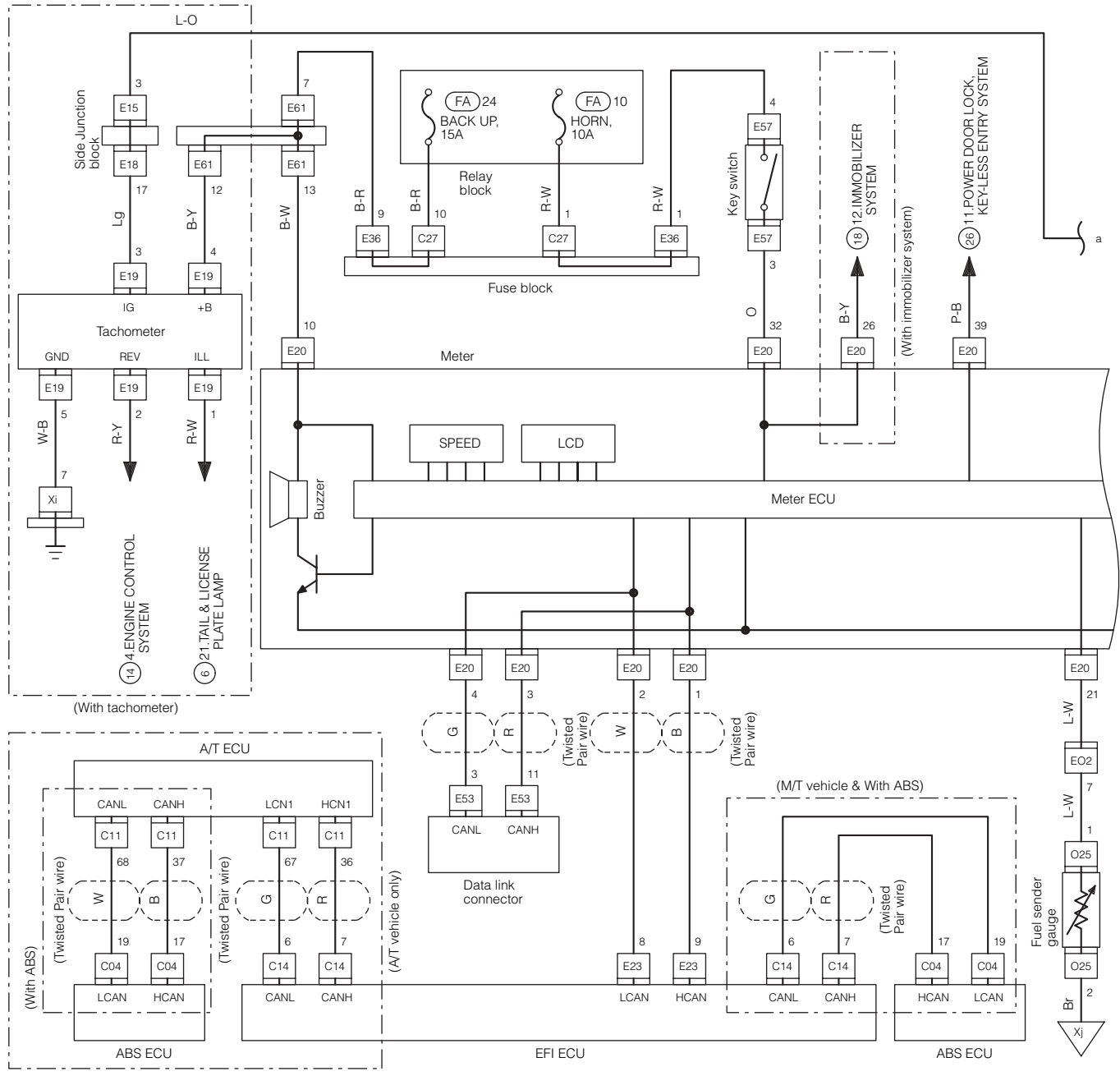


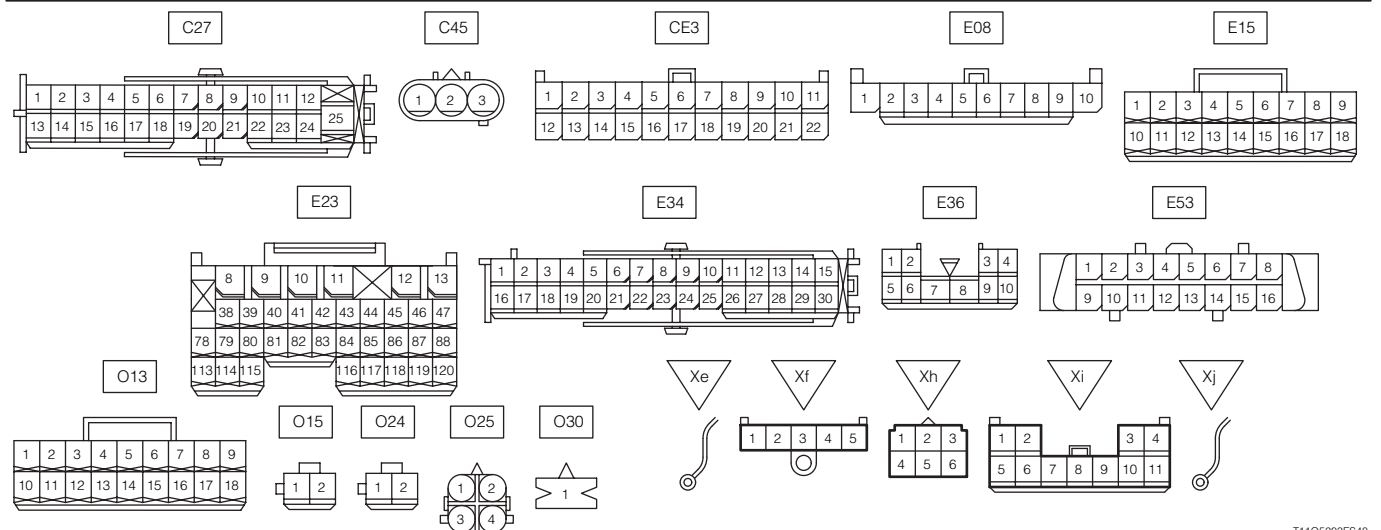
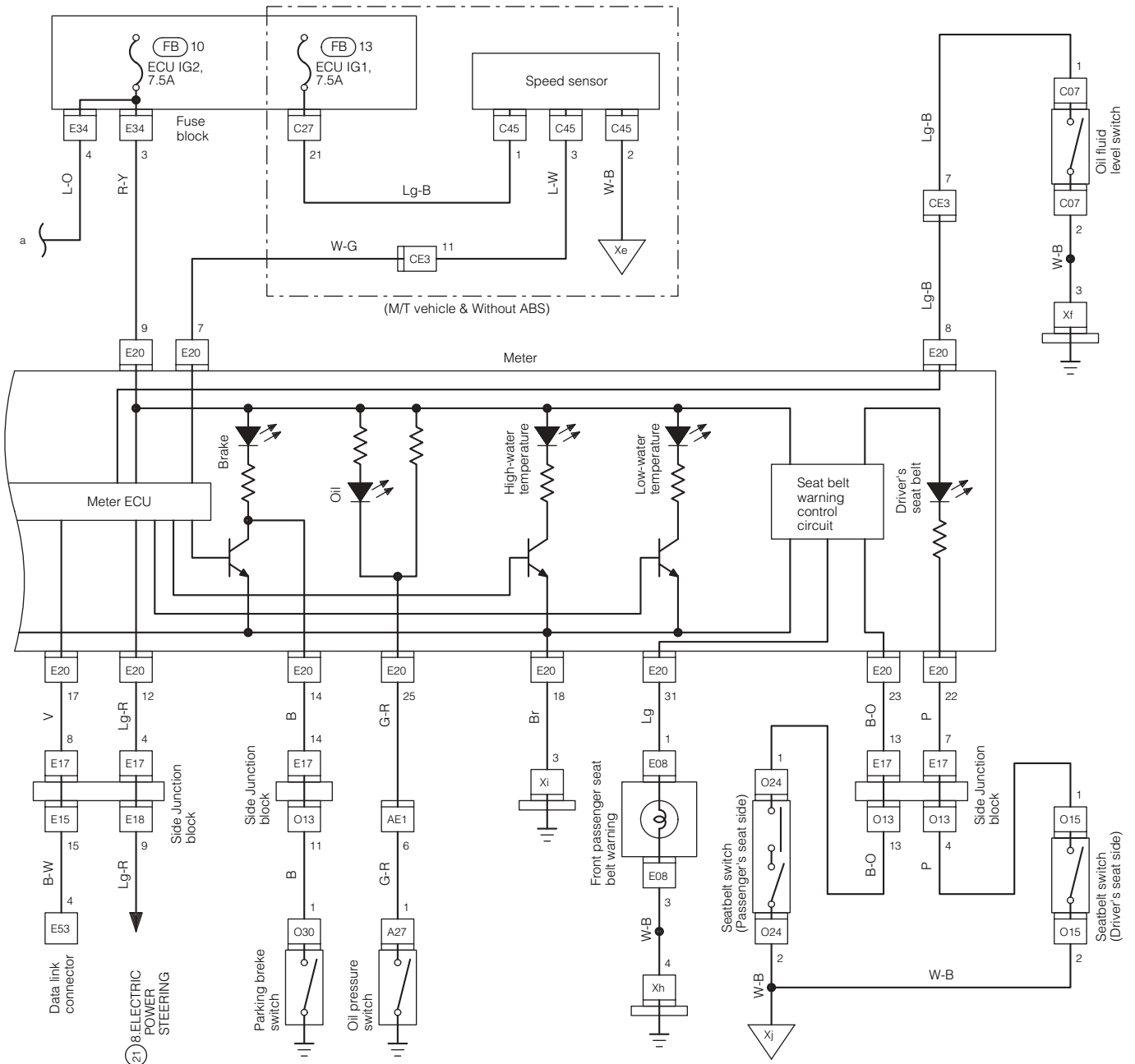


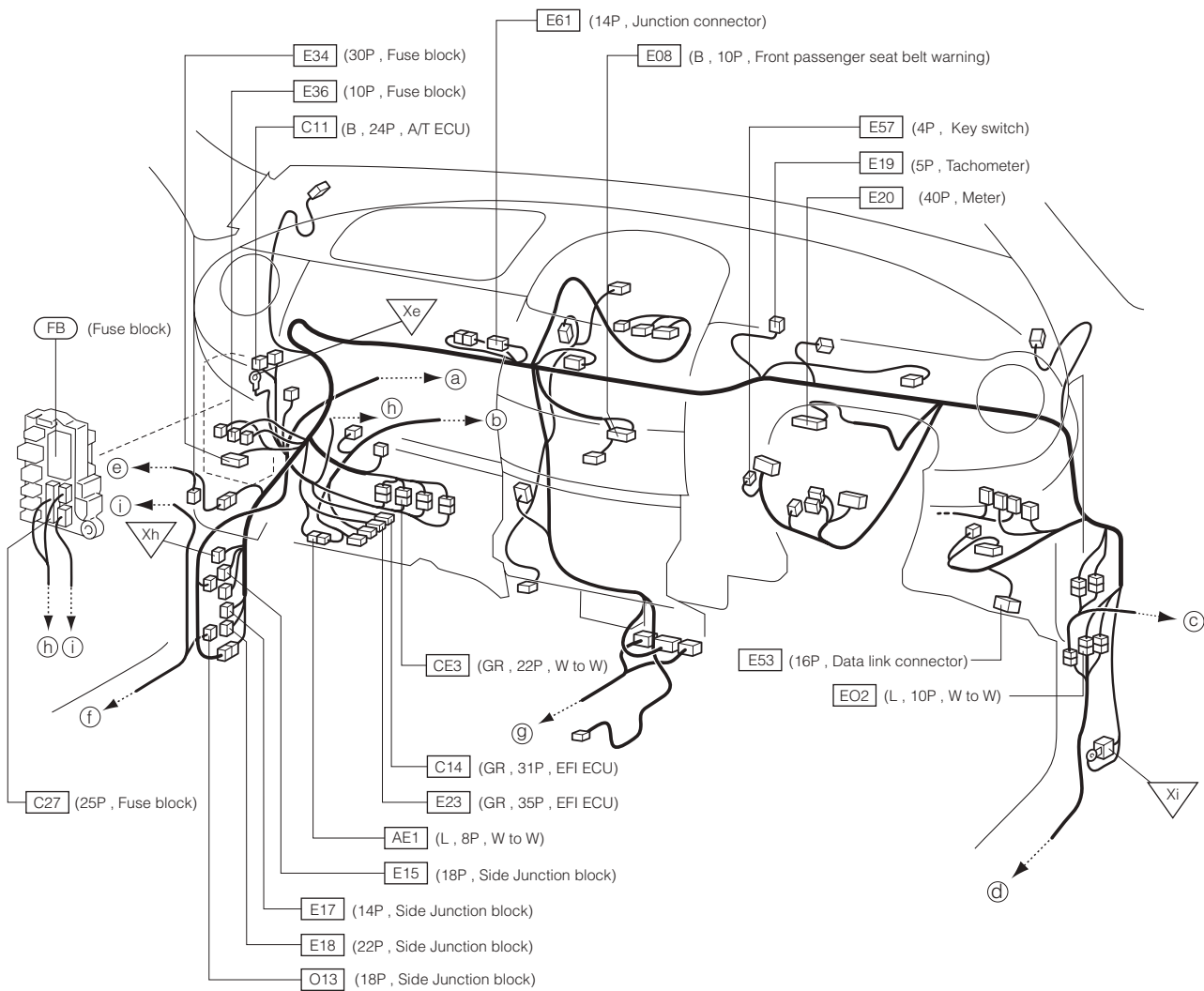




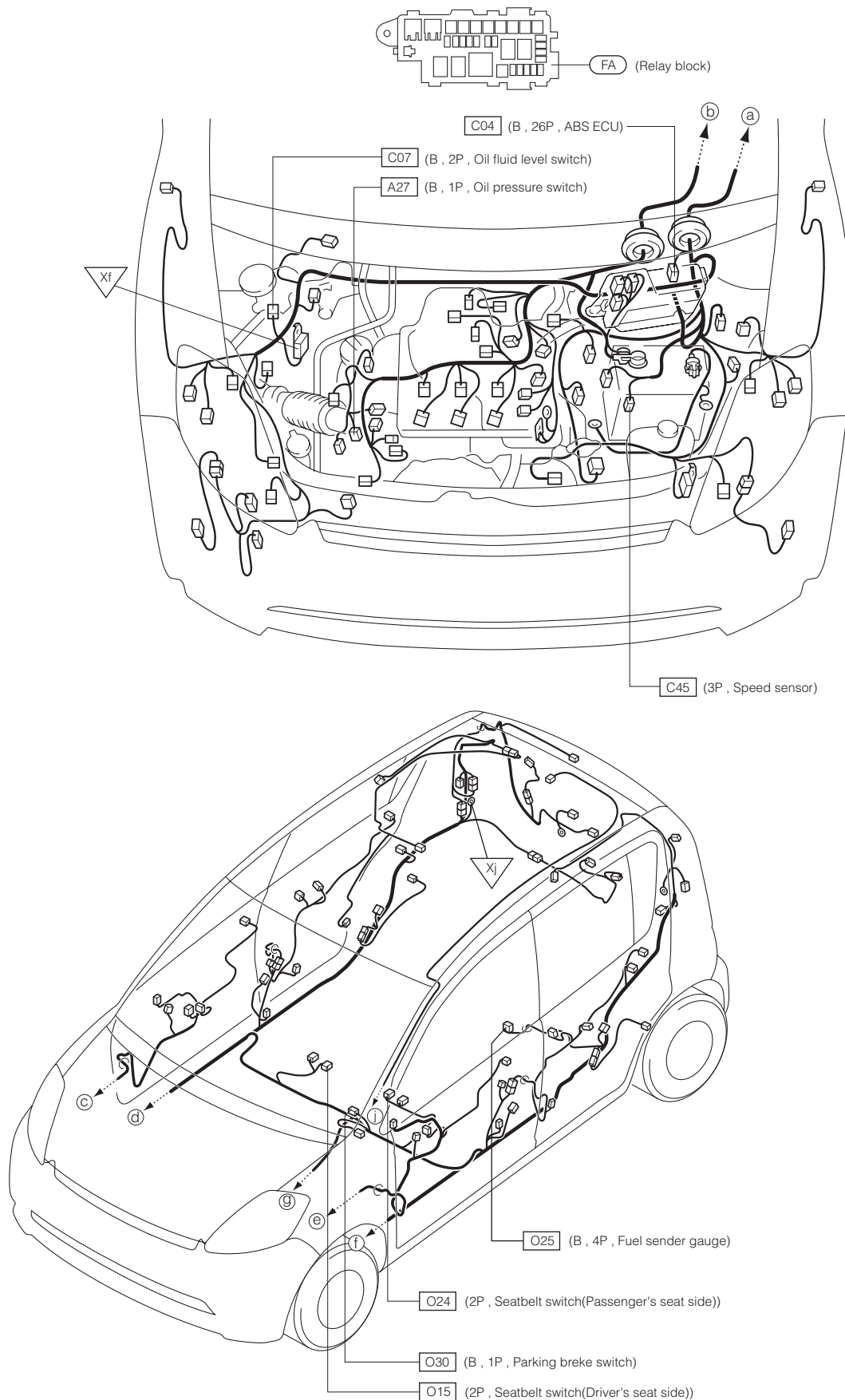
## 16 METER 16-1 RHD VEHICLE



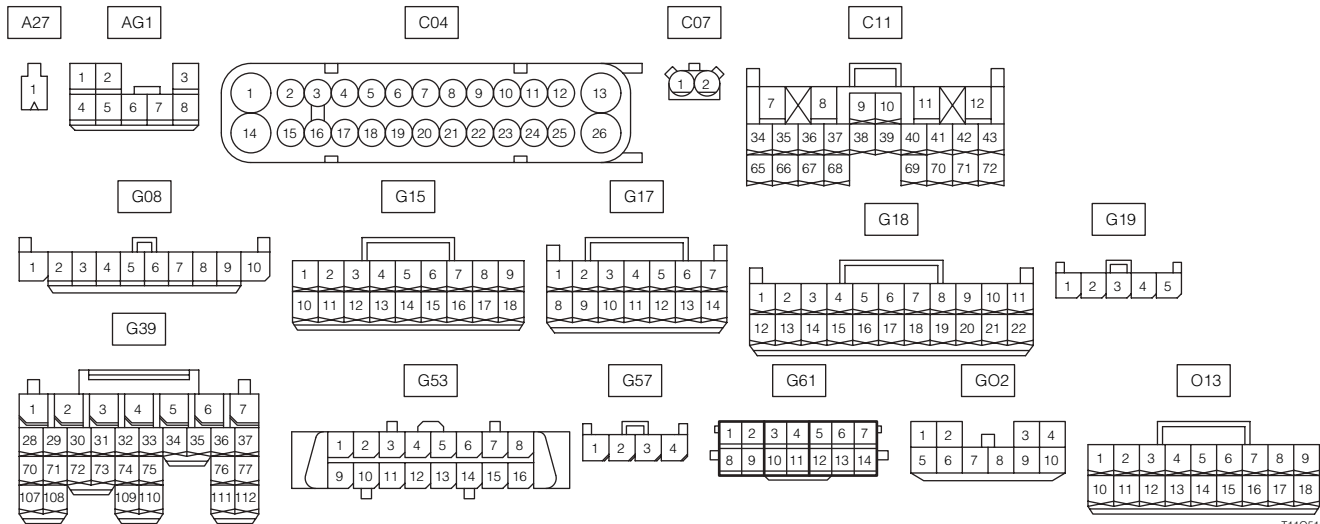
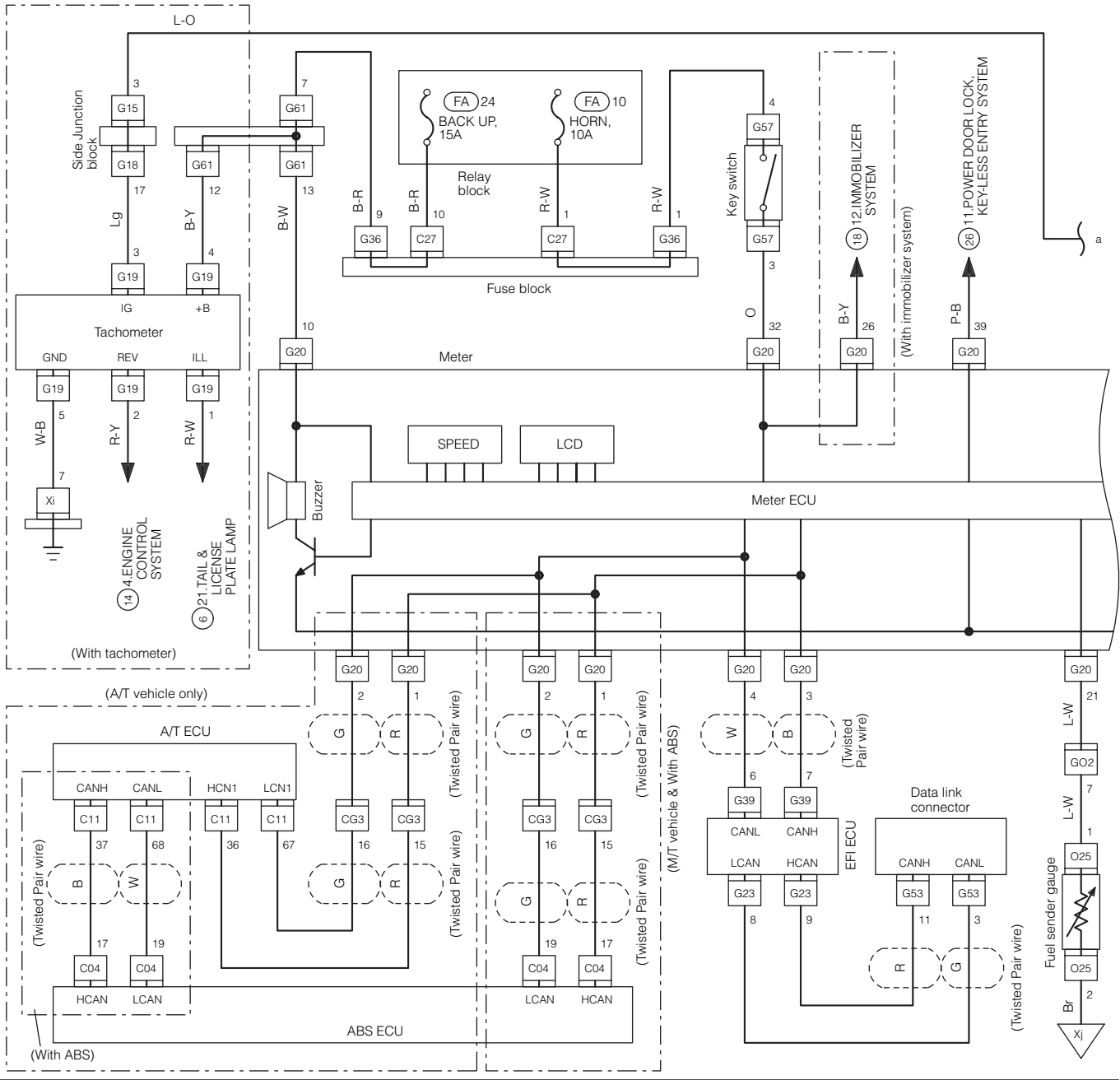


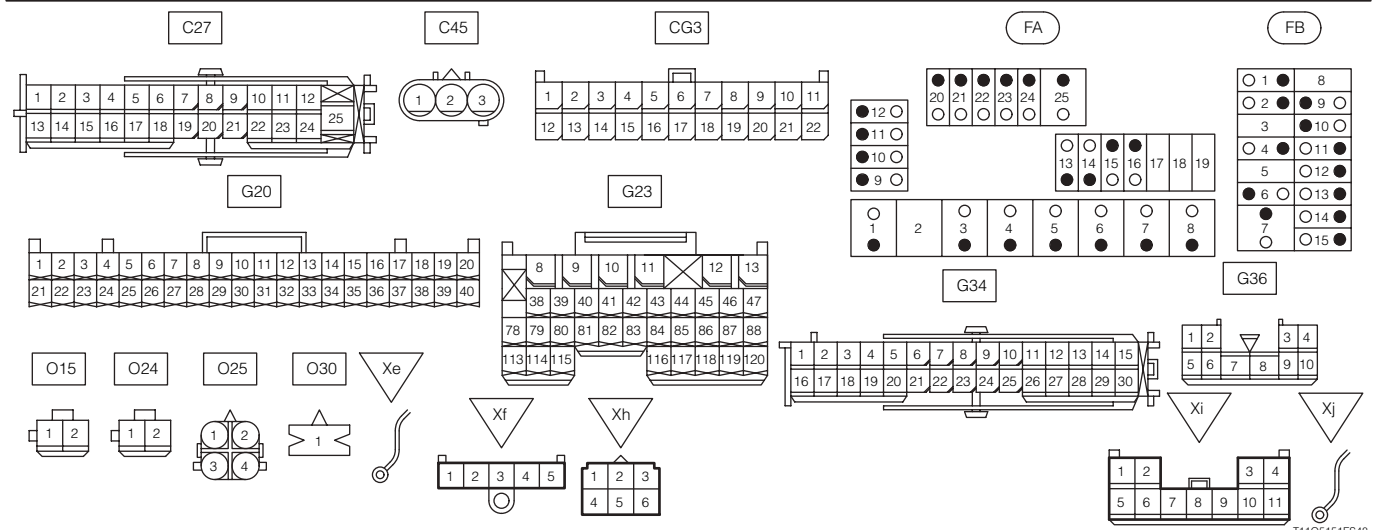
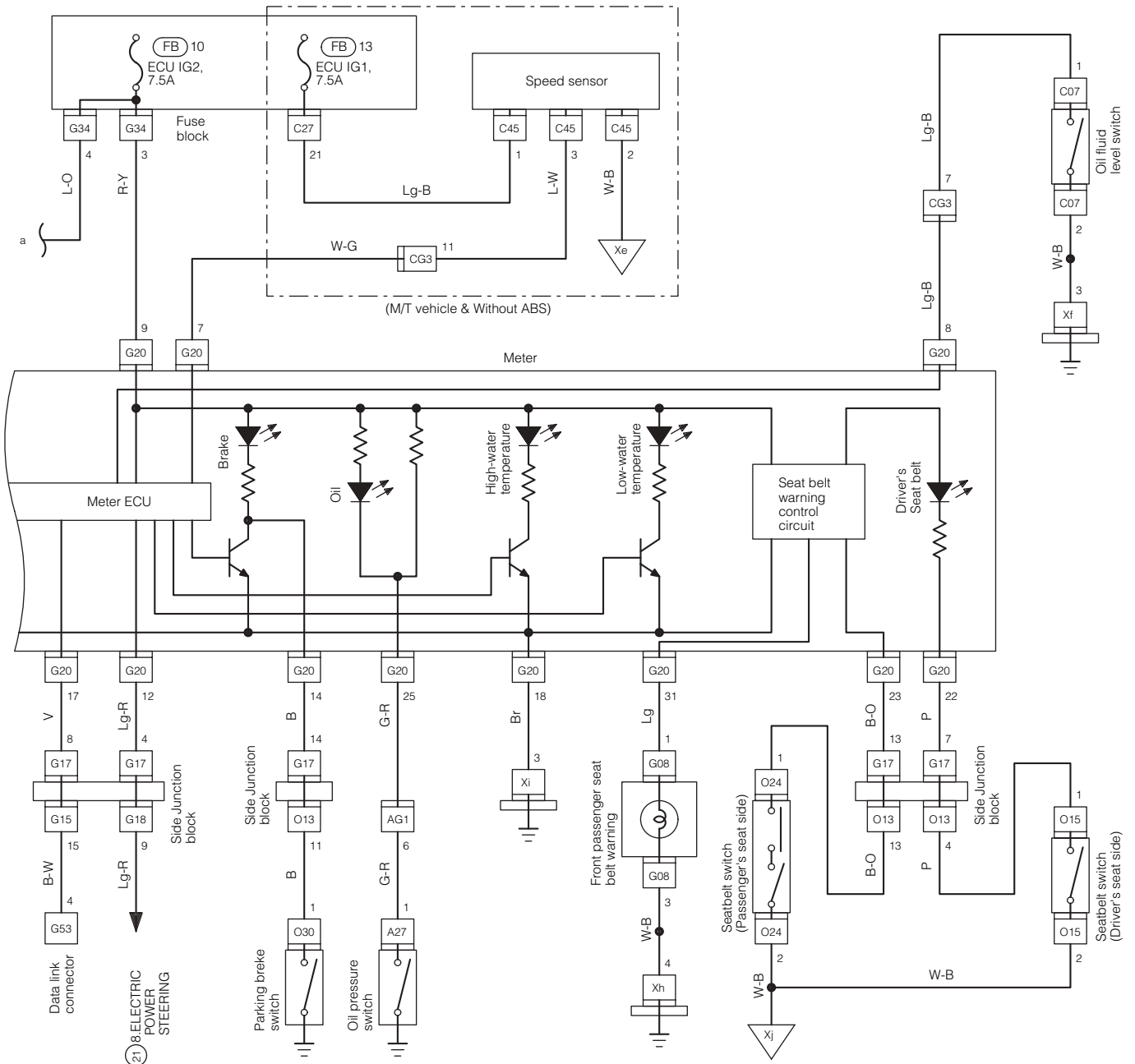


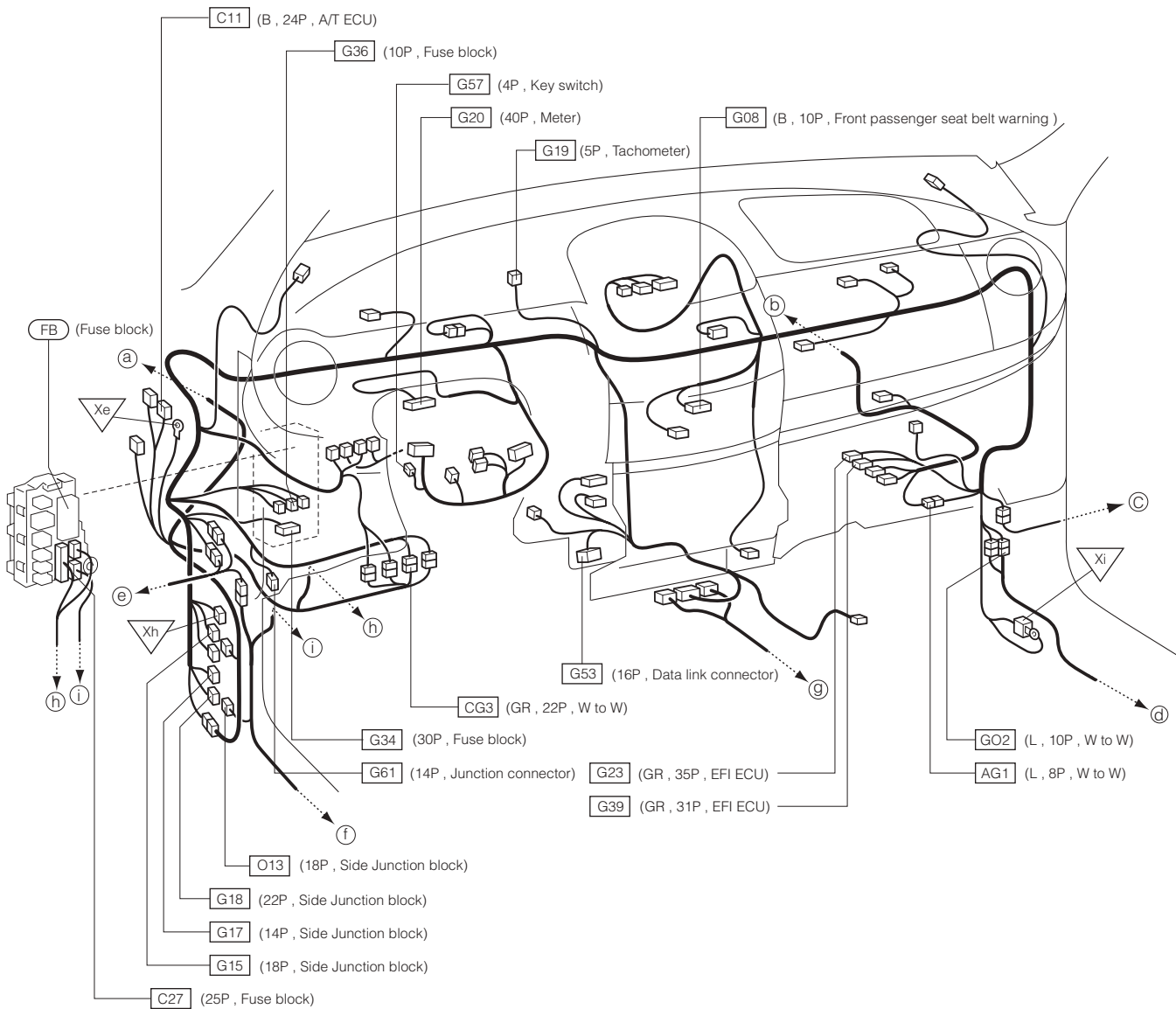


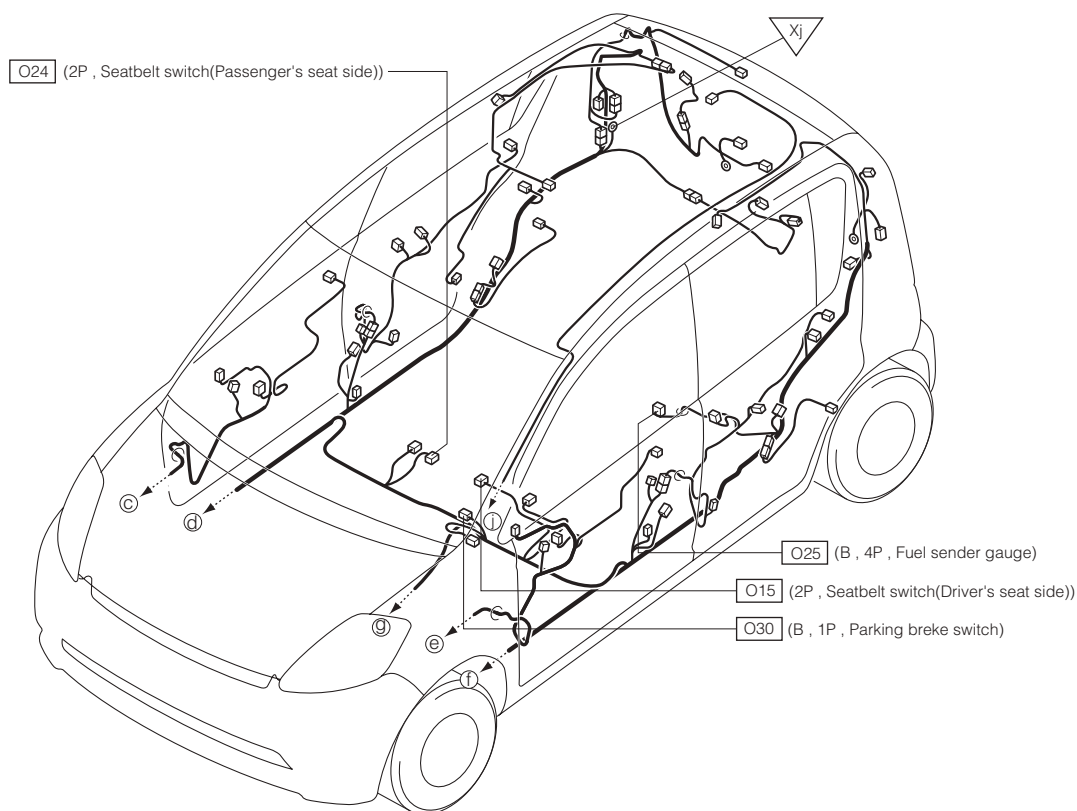
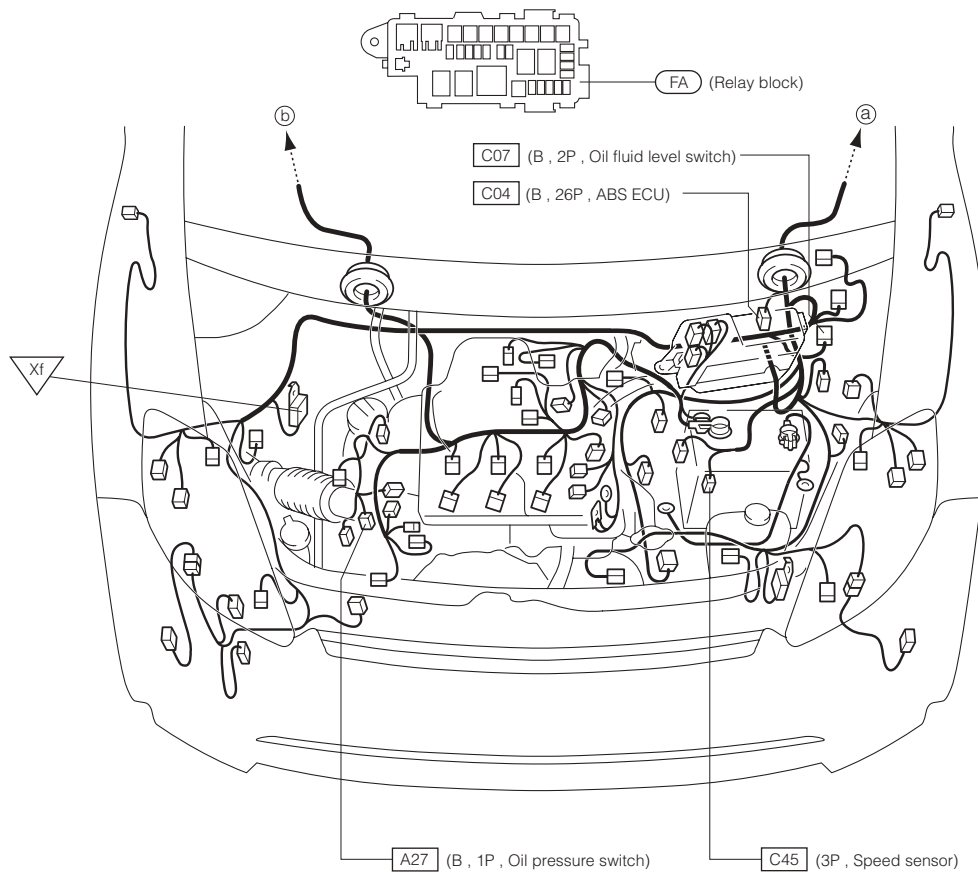


## 16-2 LHD VEHICLE



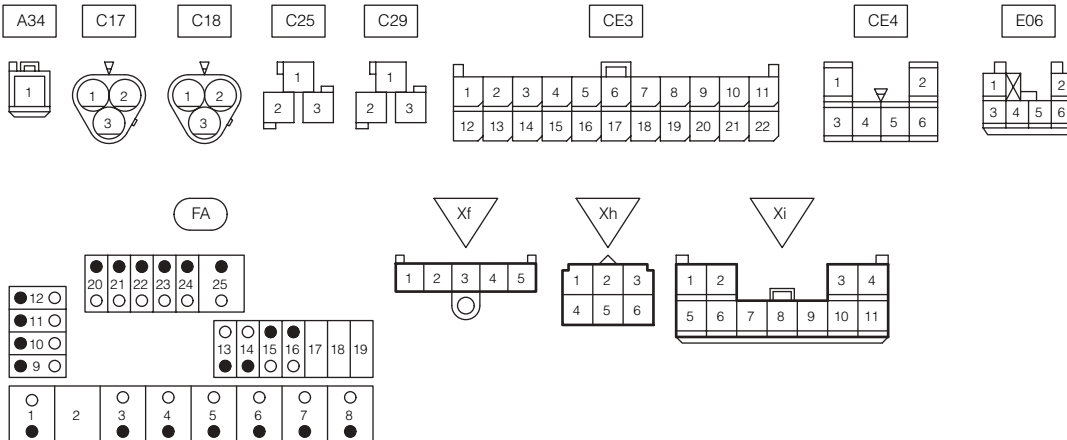
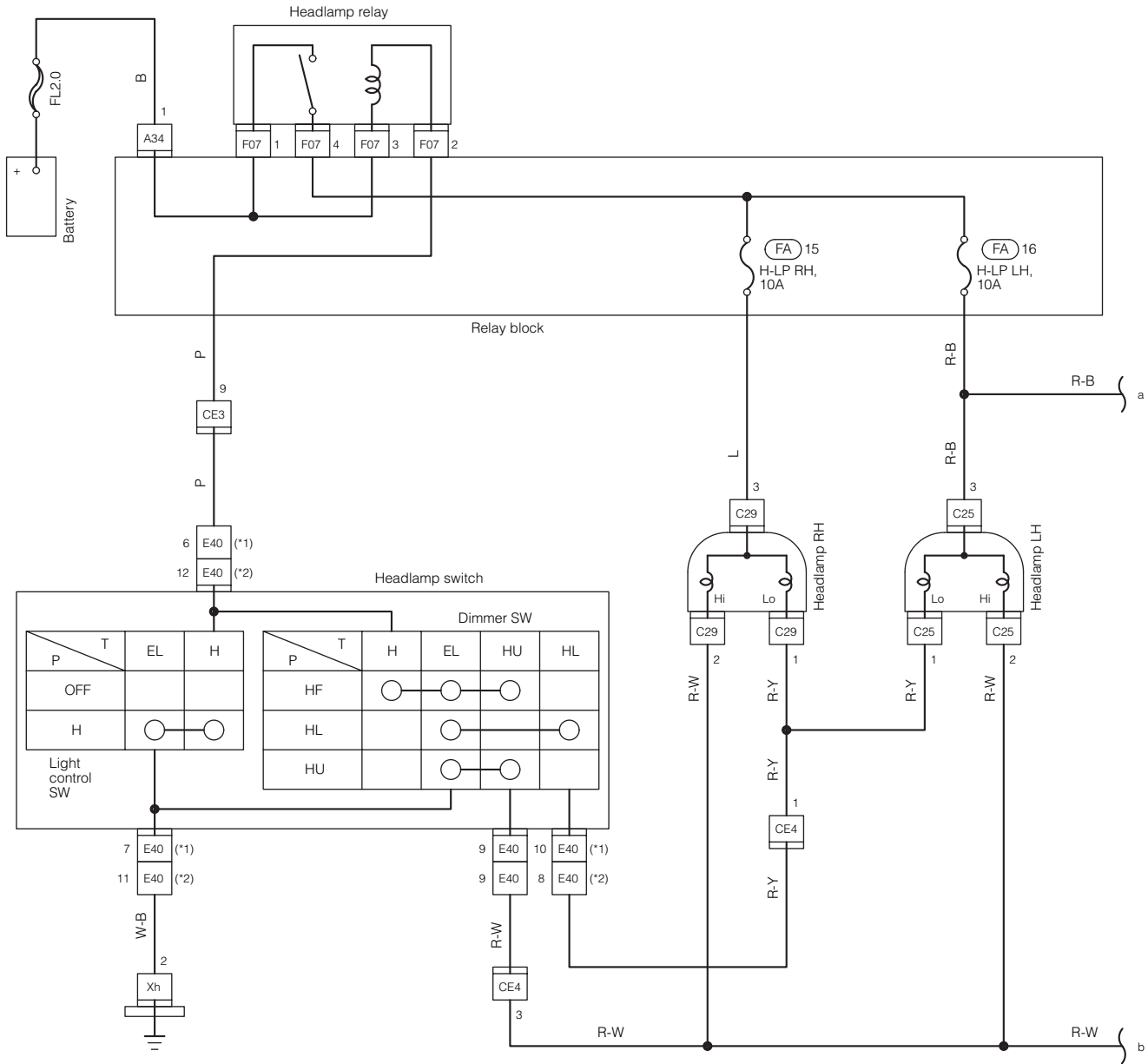


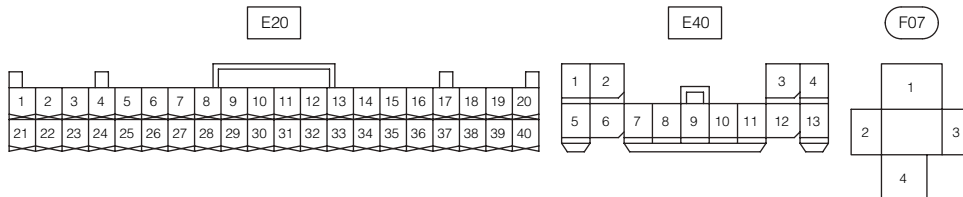
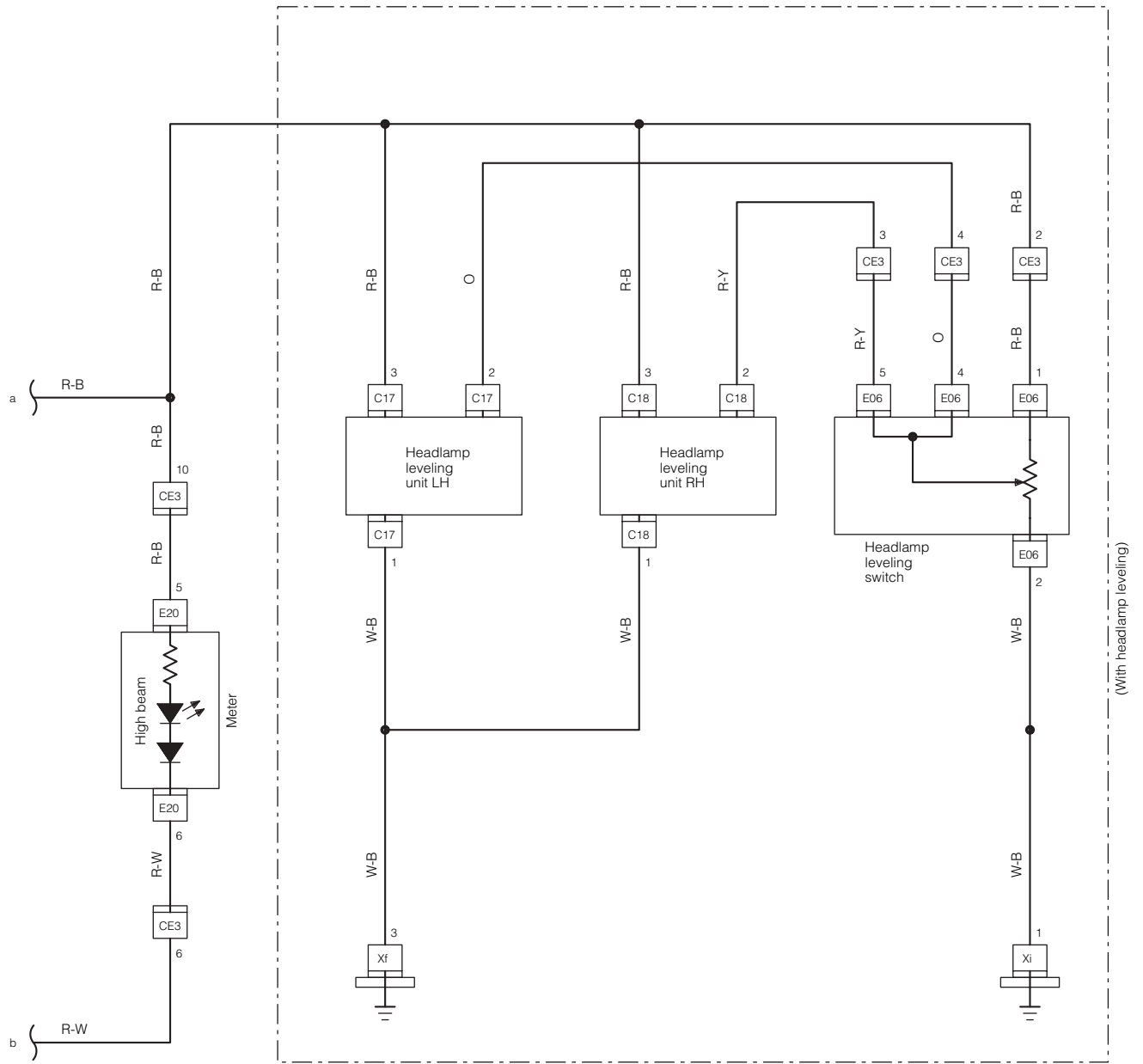


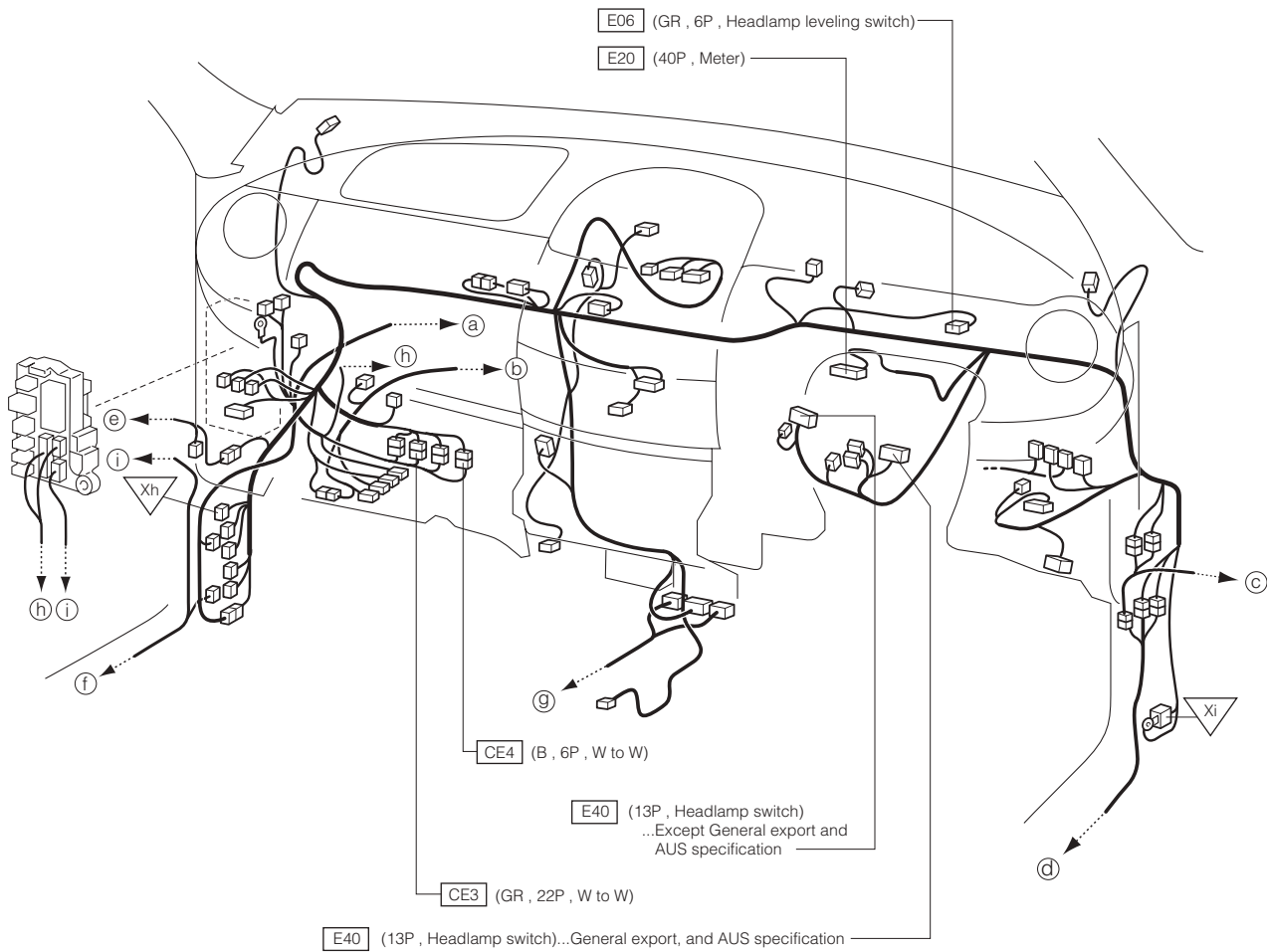


## 17 HEAD LAMP 17-1 RHD VEHICLE

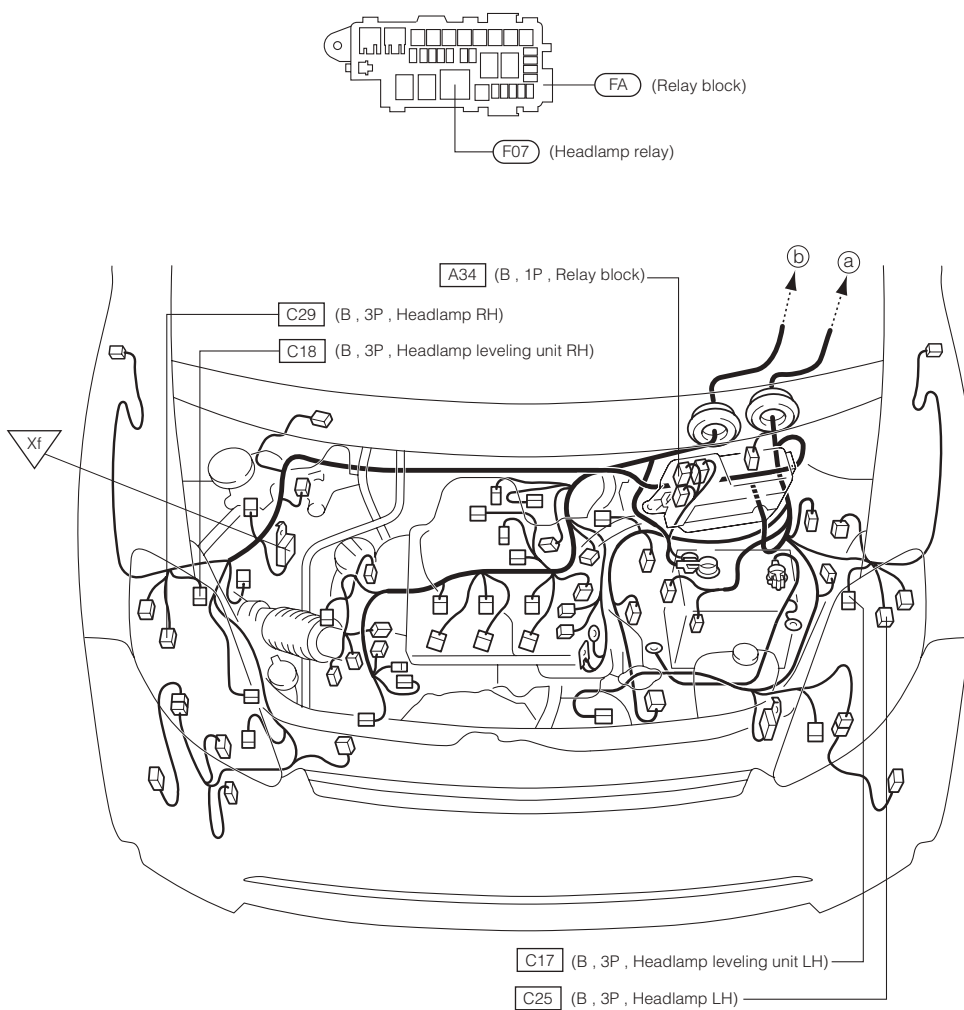
\*1:General export and AUS specification  
\*2:Except General export and AUS specification





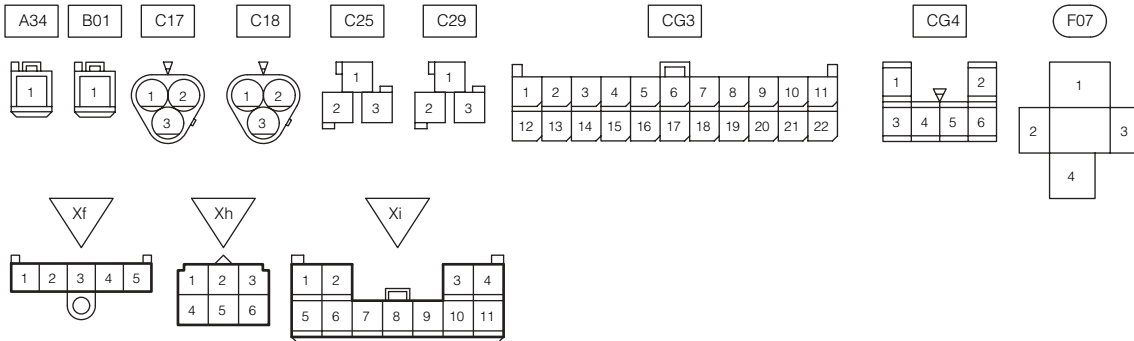
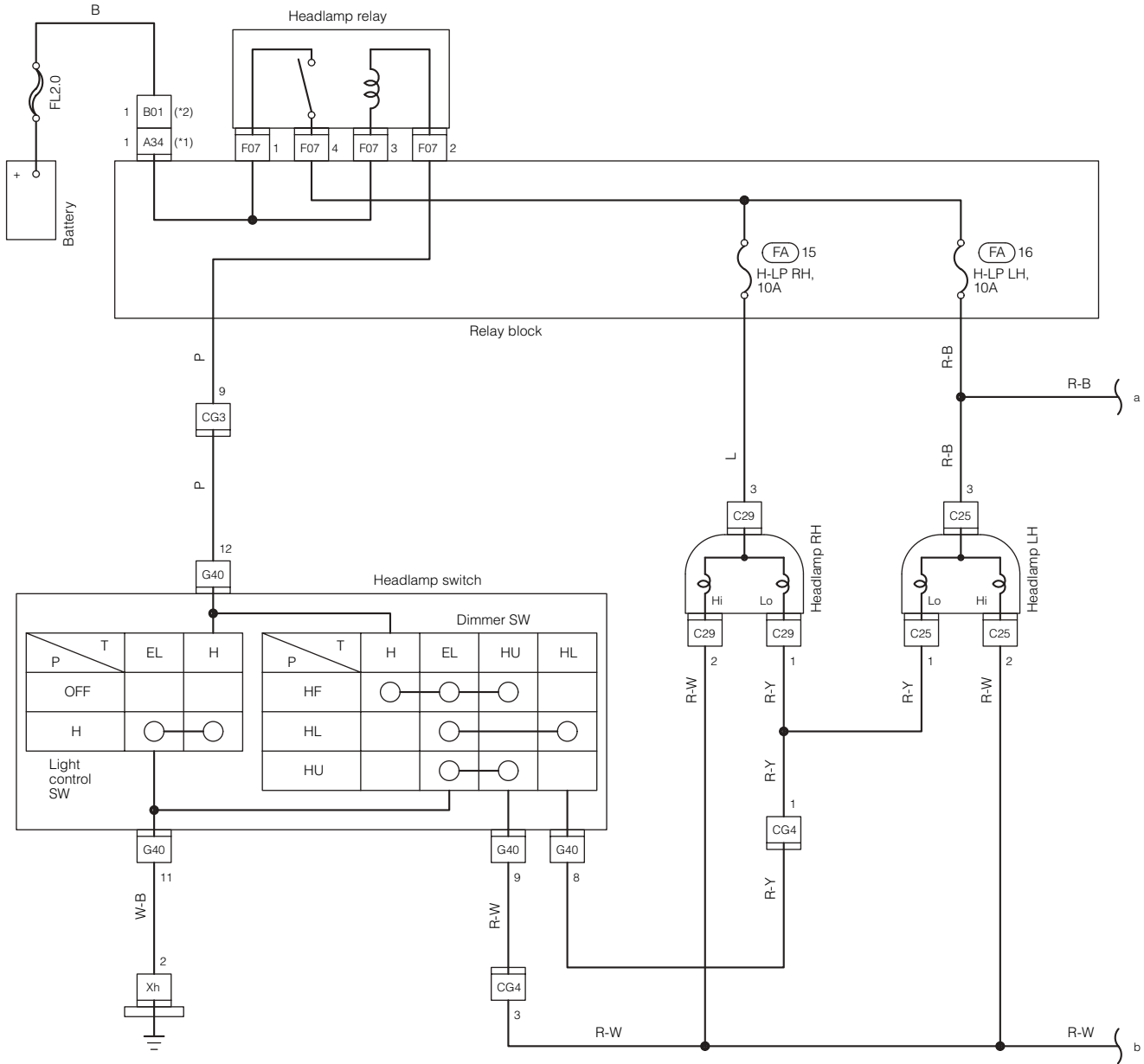


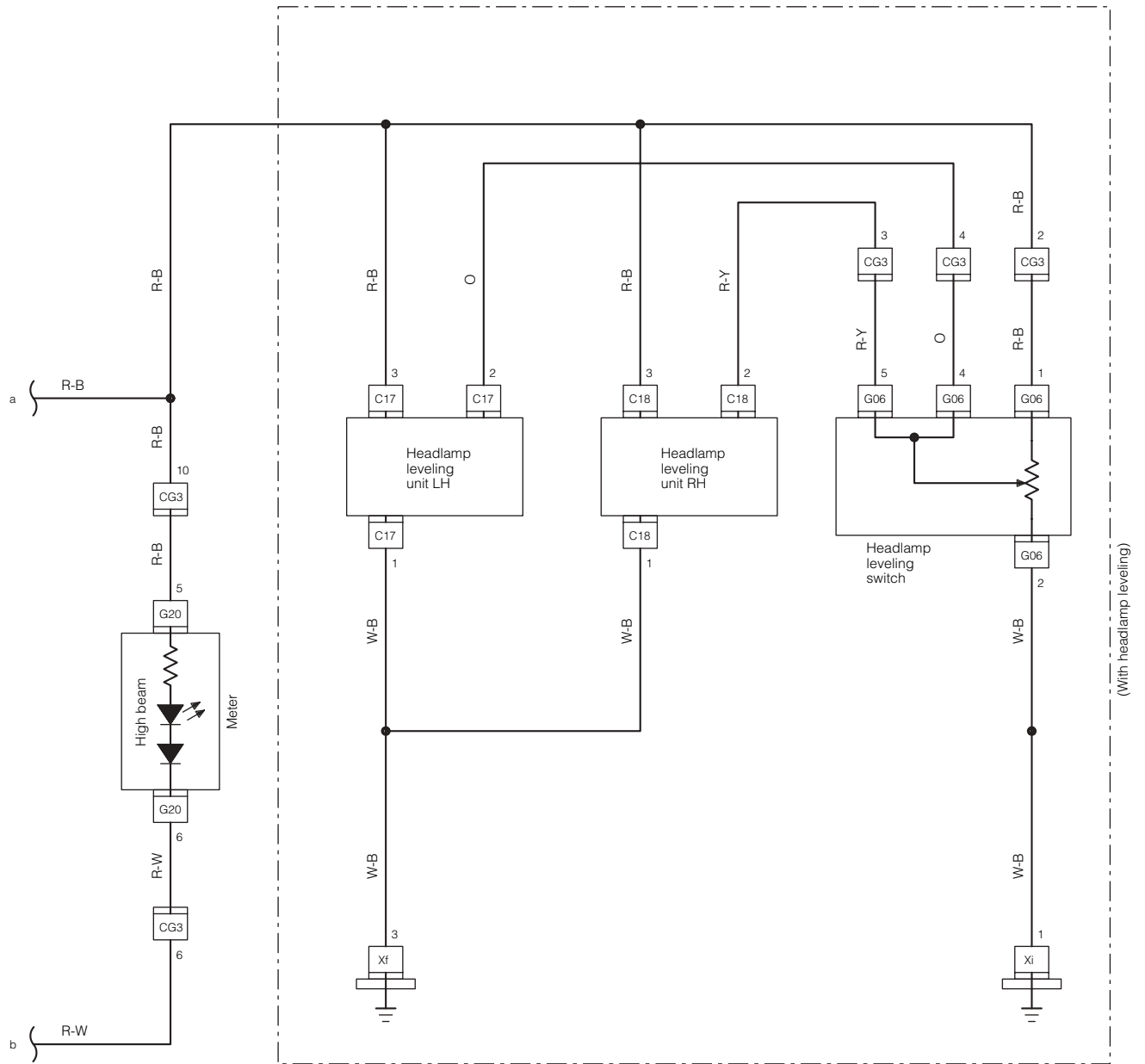




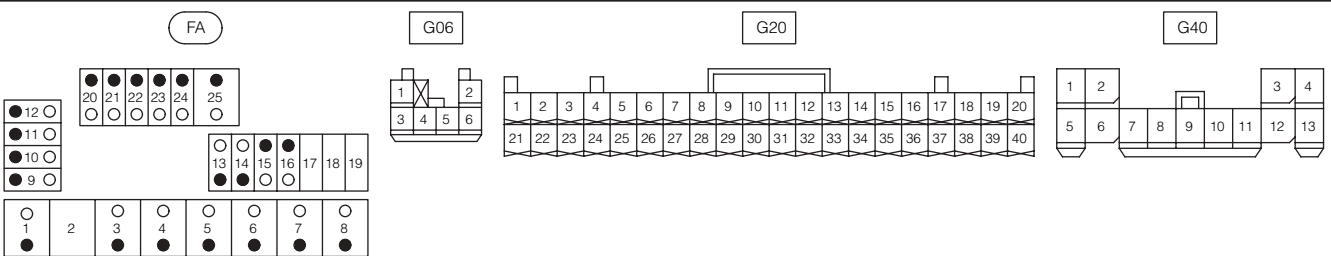
## 17-2 LHD VEHICLE

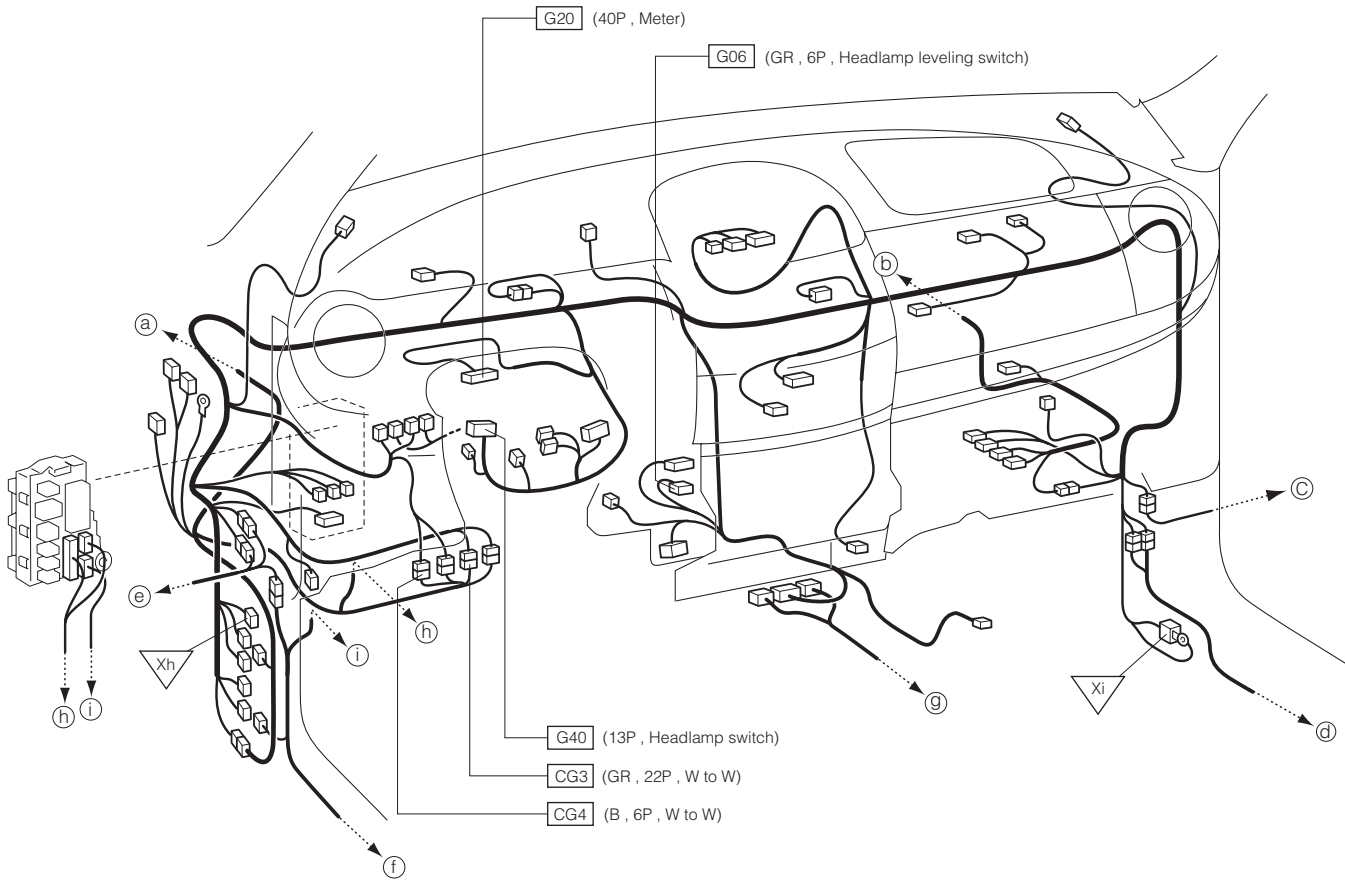
\*1:1KR-FE  
\*2:K3-VE

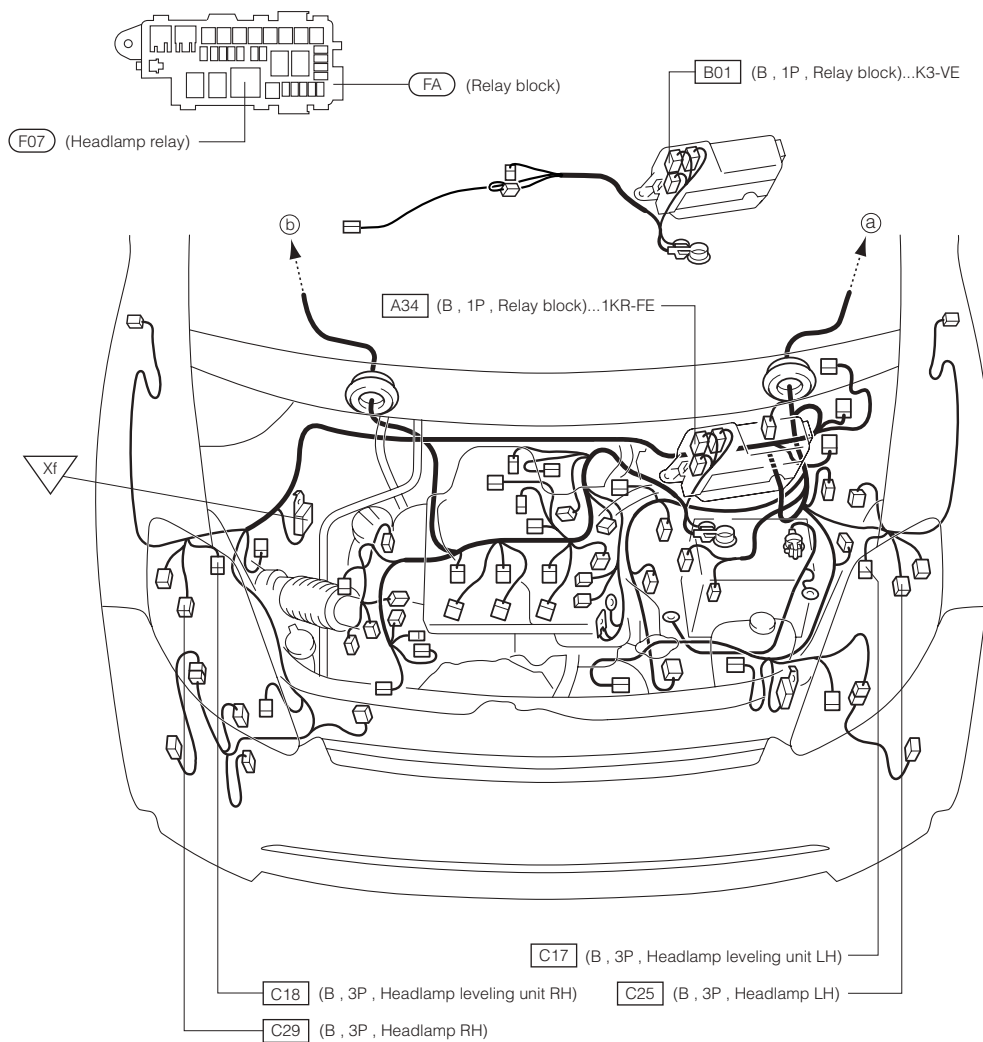




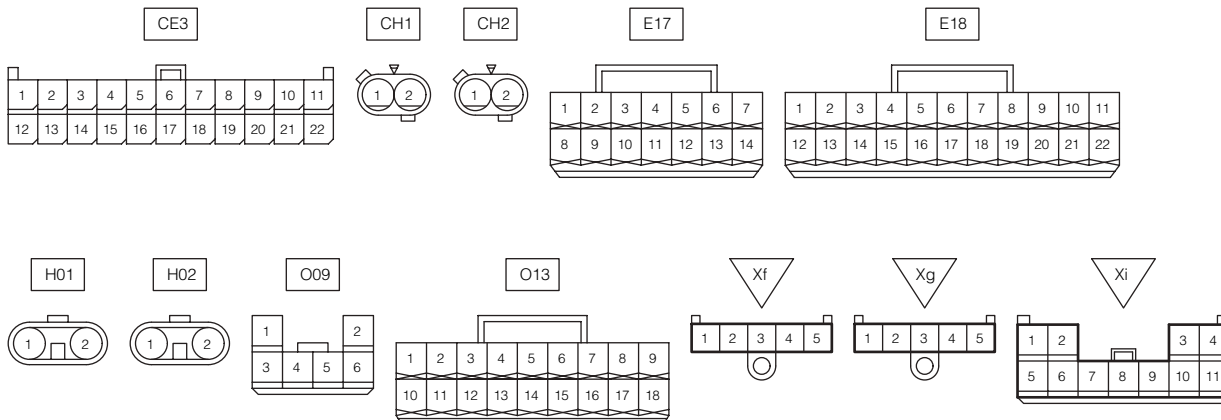
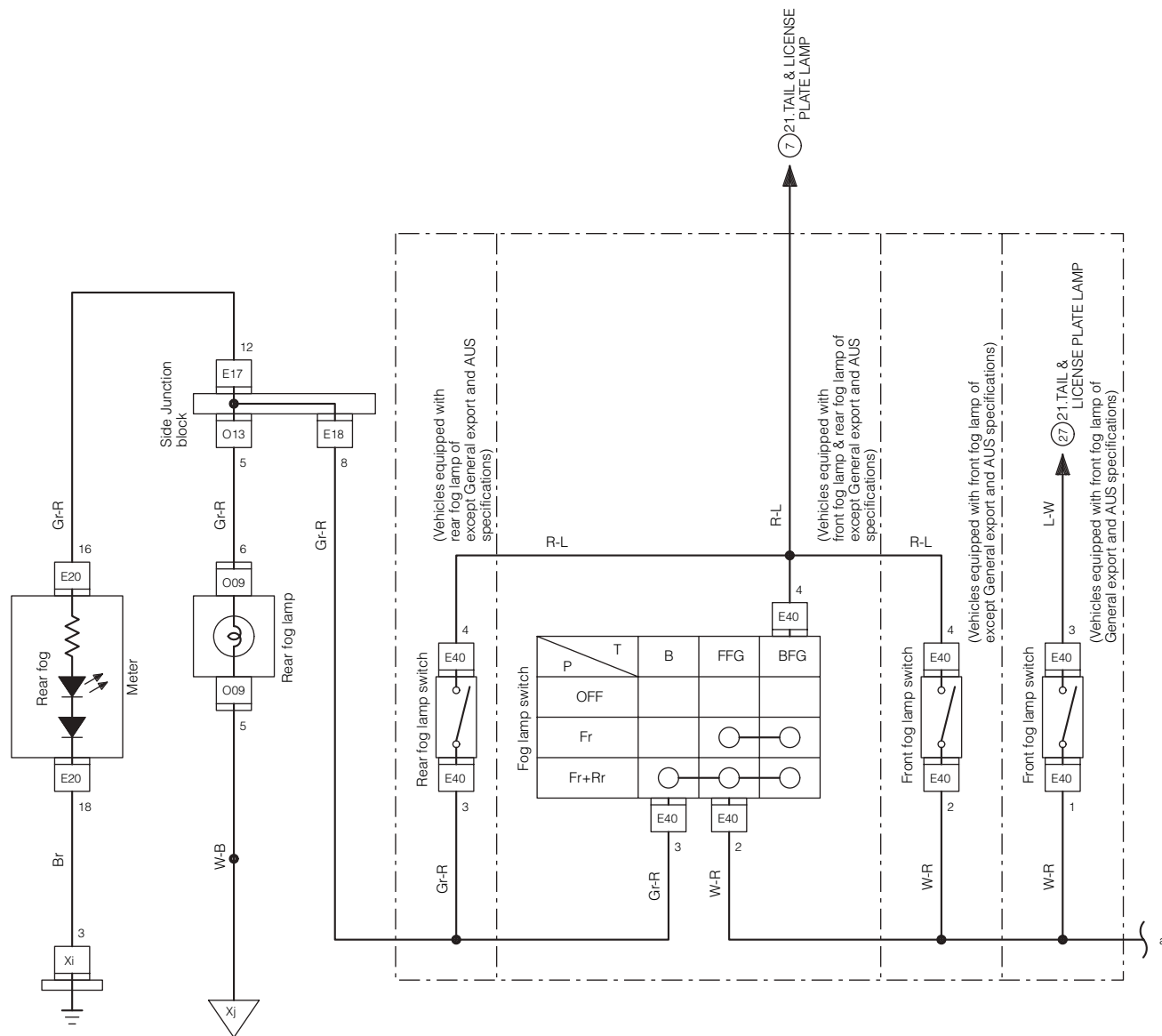
(With headlamp leveling)

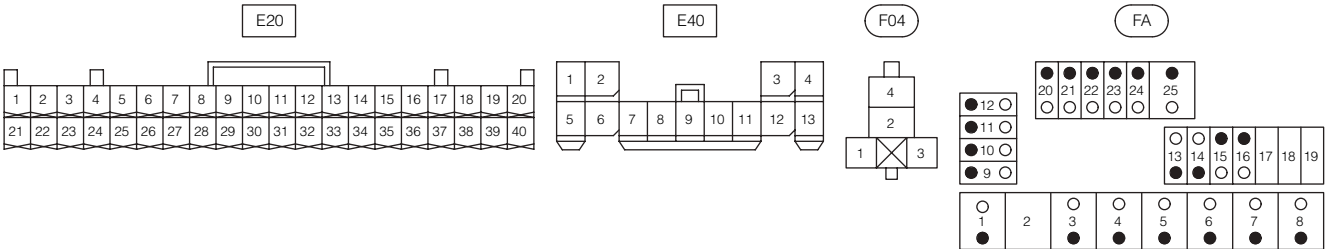
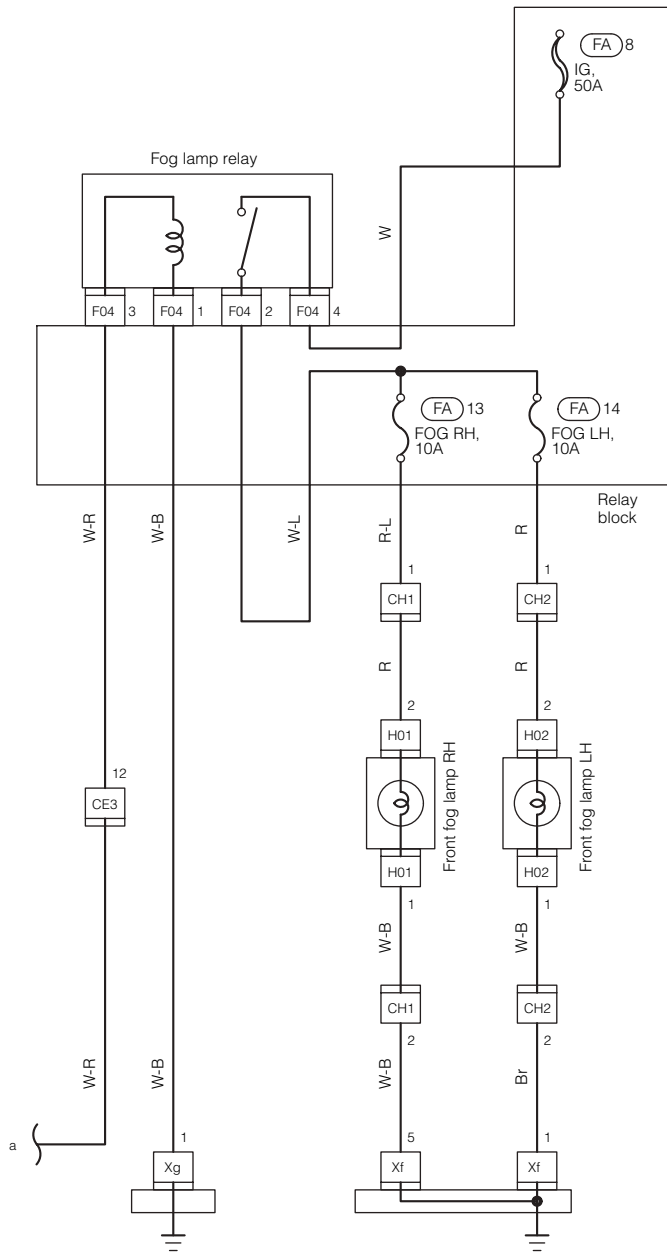


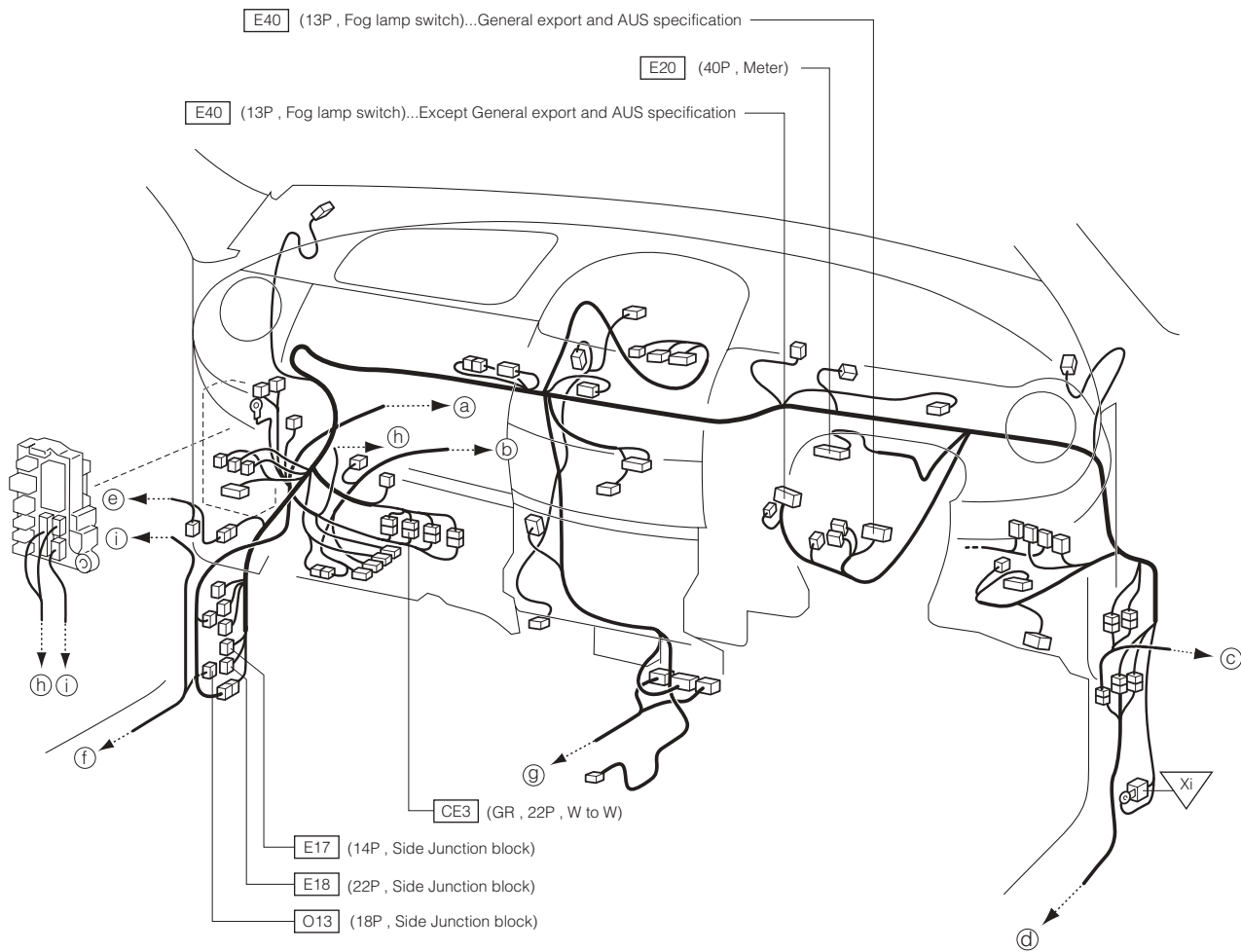




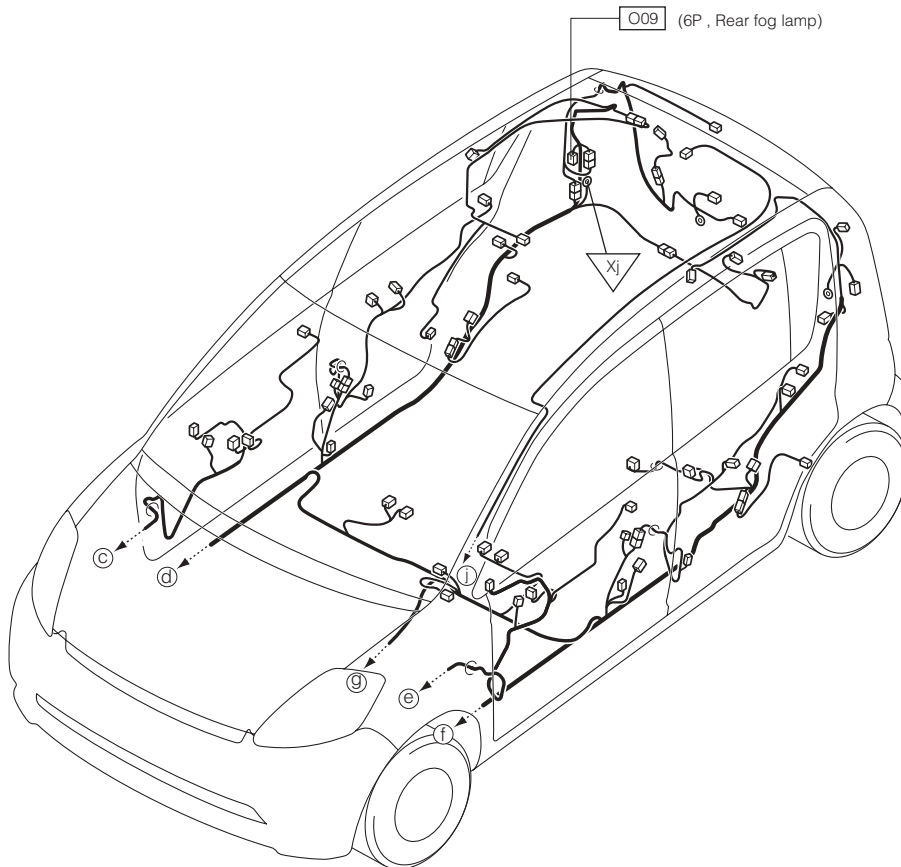
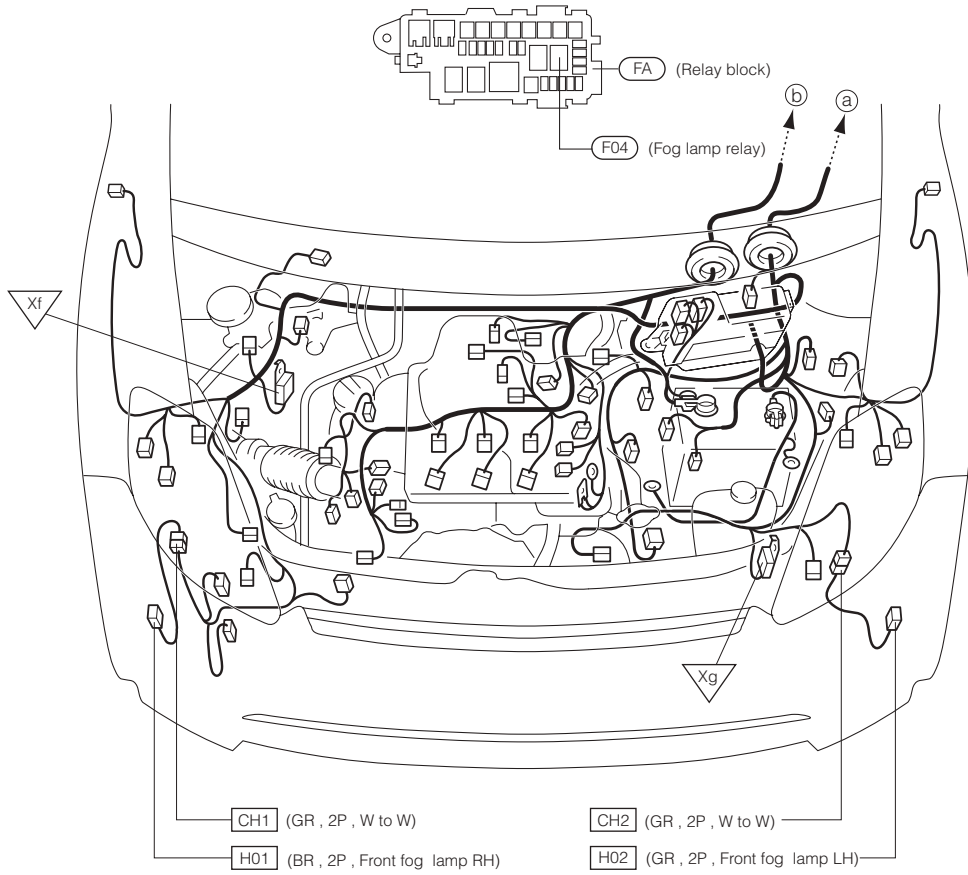
## 18 FOG LAMP 18-1 RHD VEHICLE



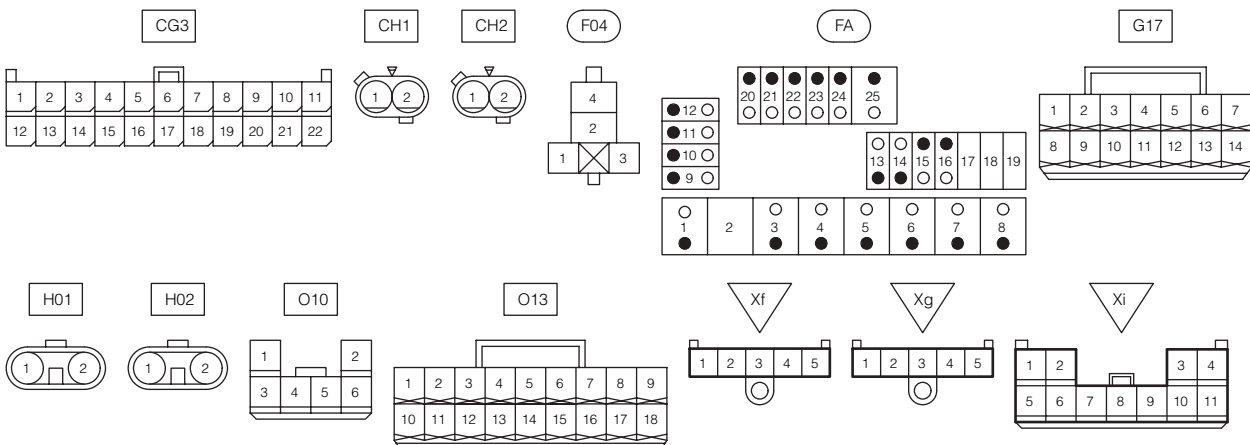
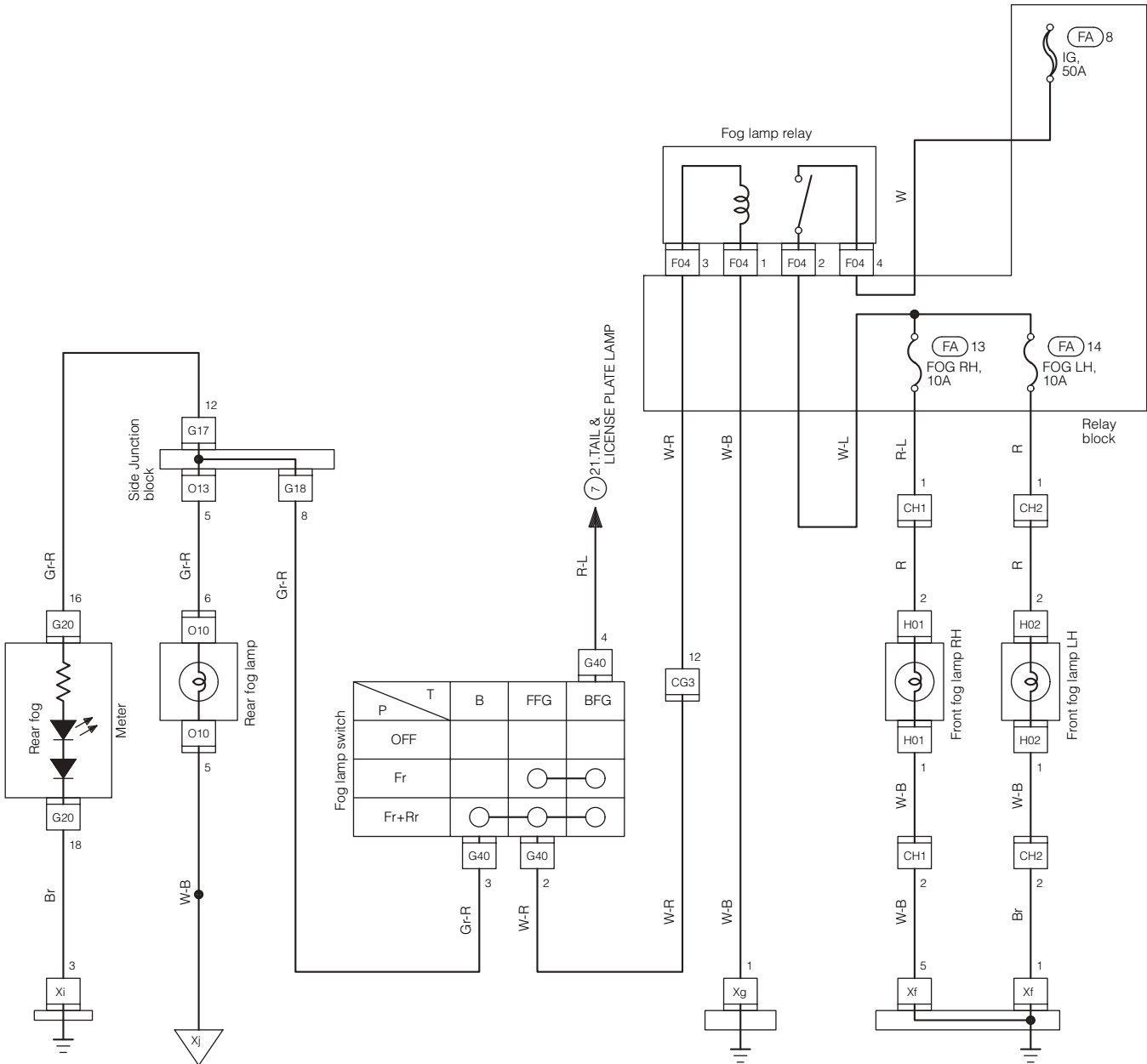




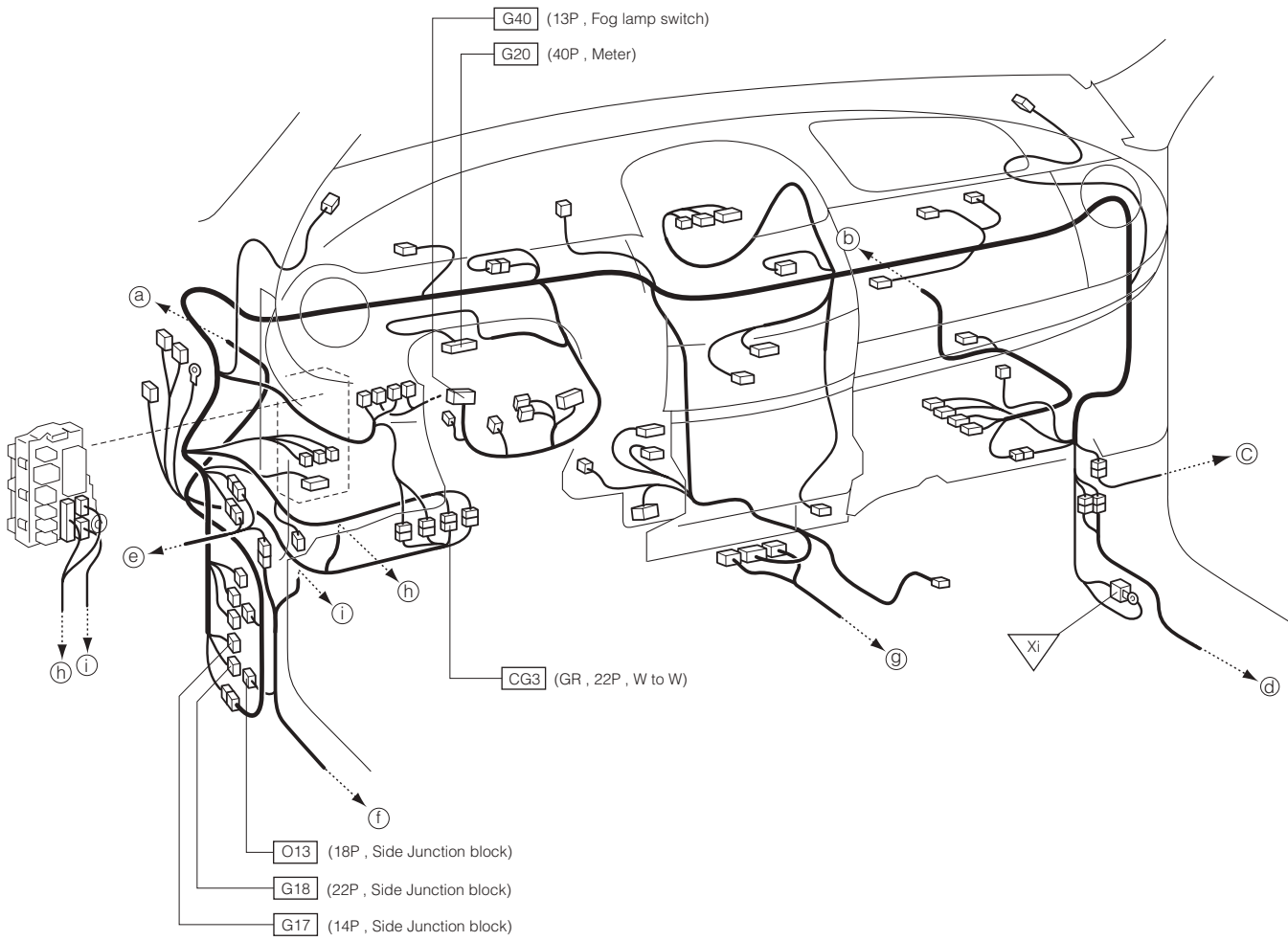


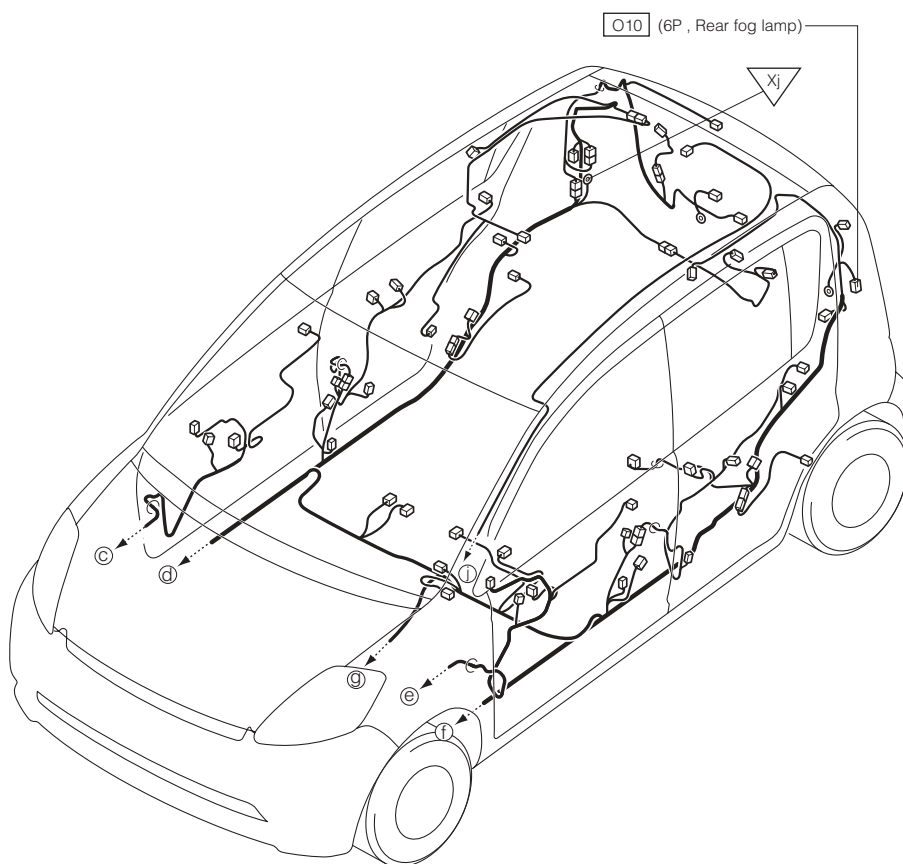
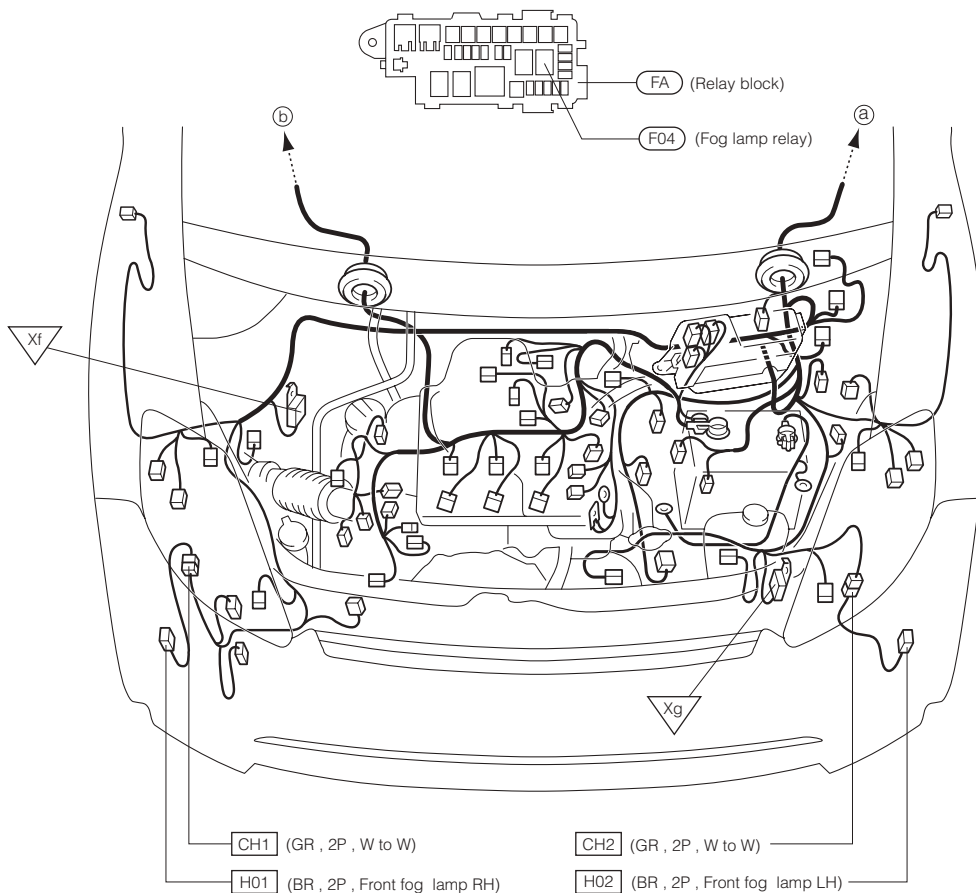


## 18-2 LHD VEHICLE



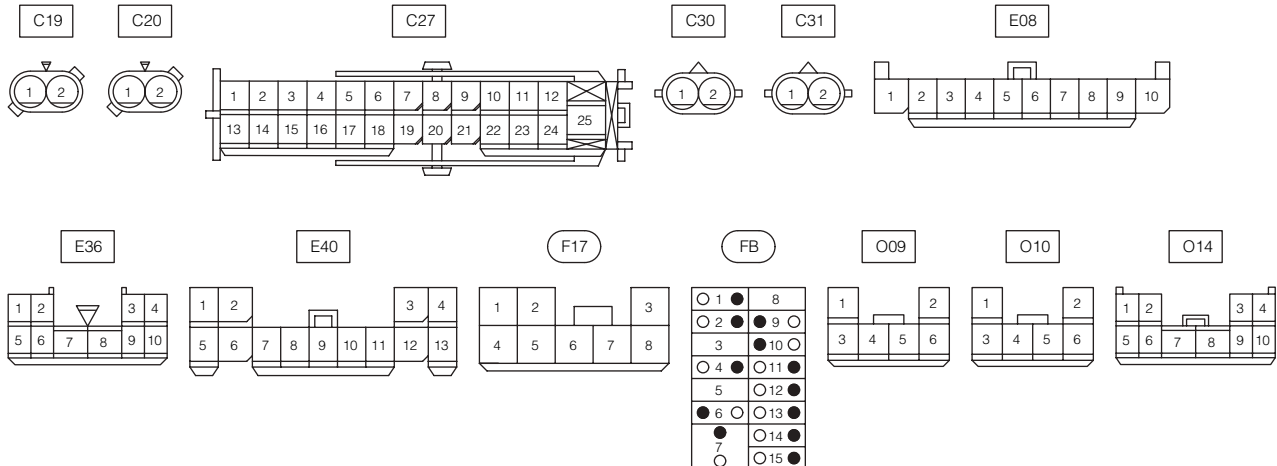
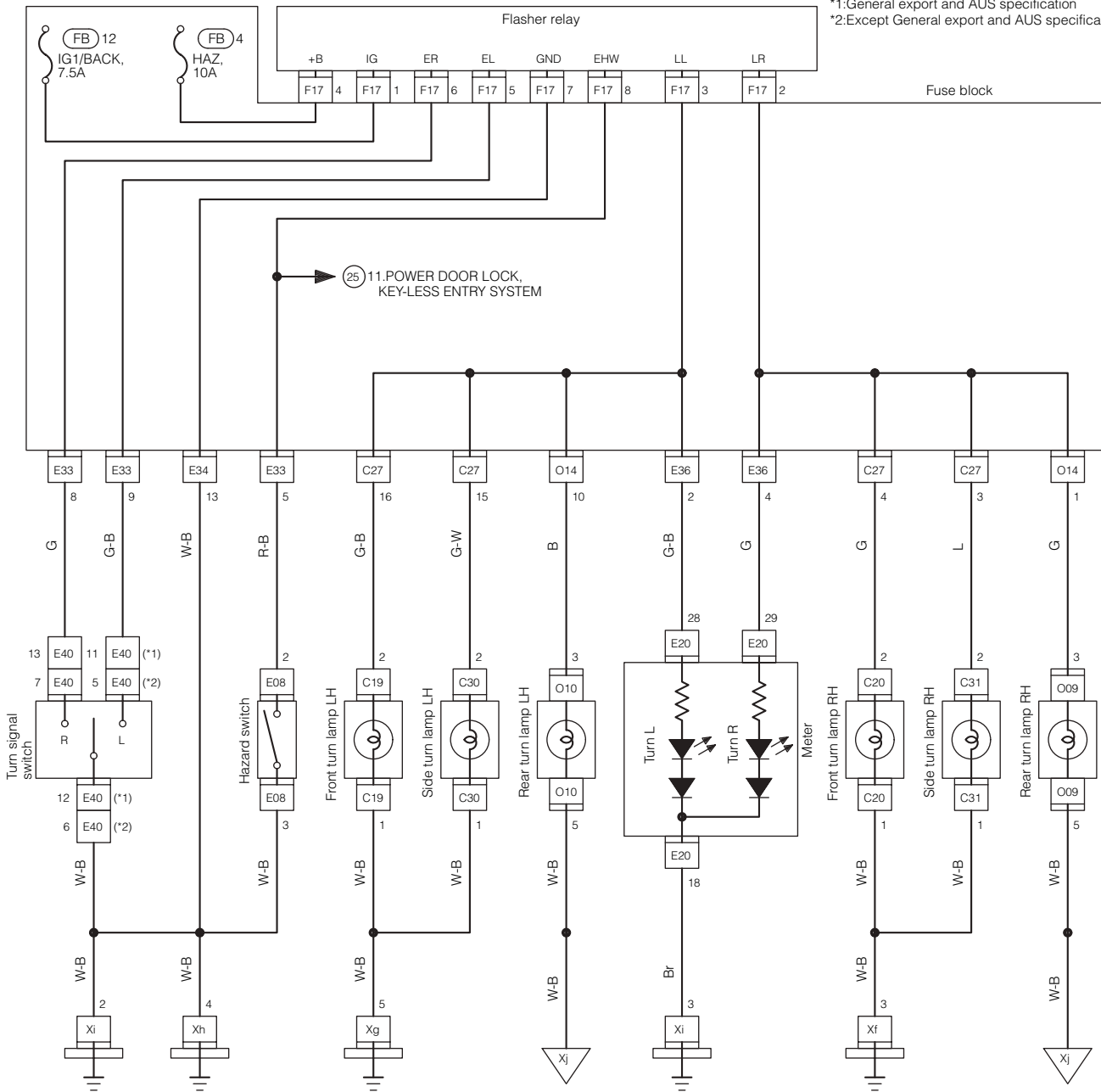


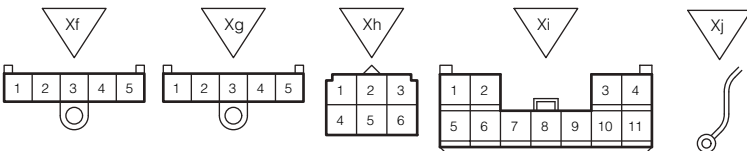
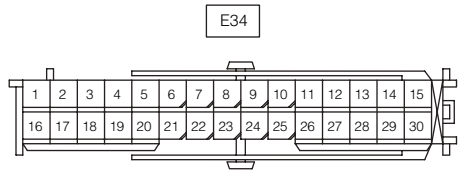


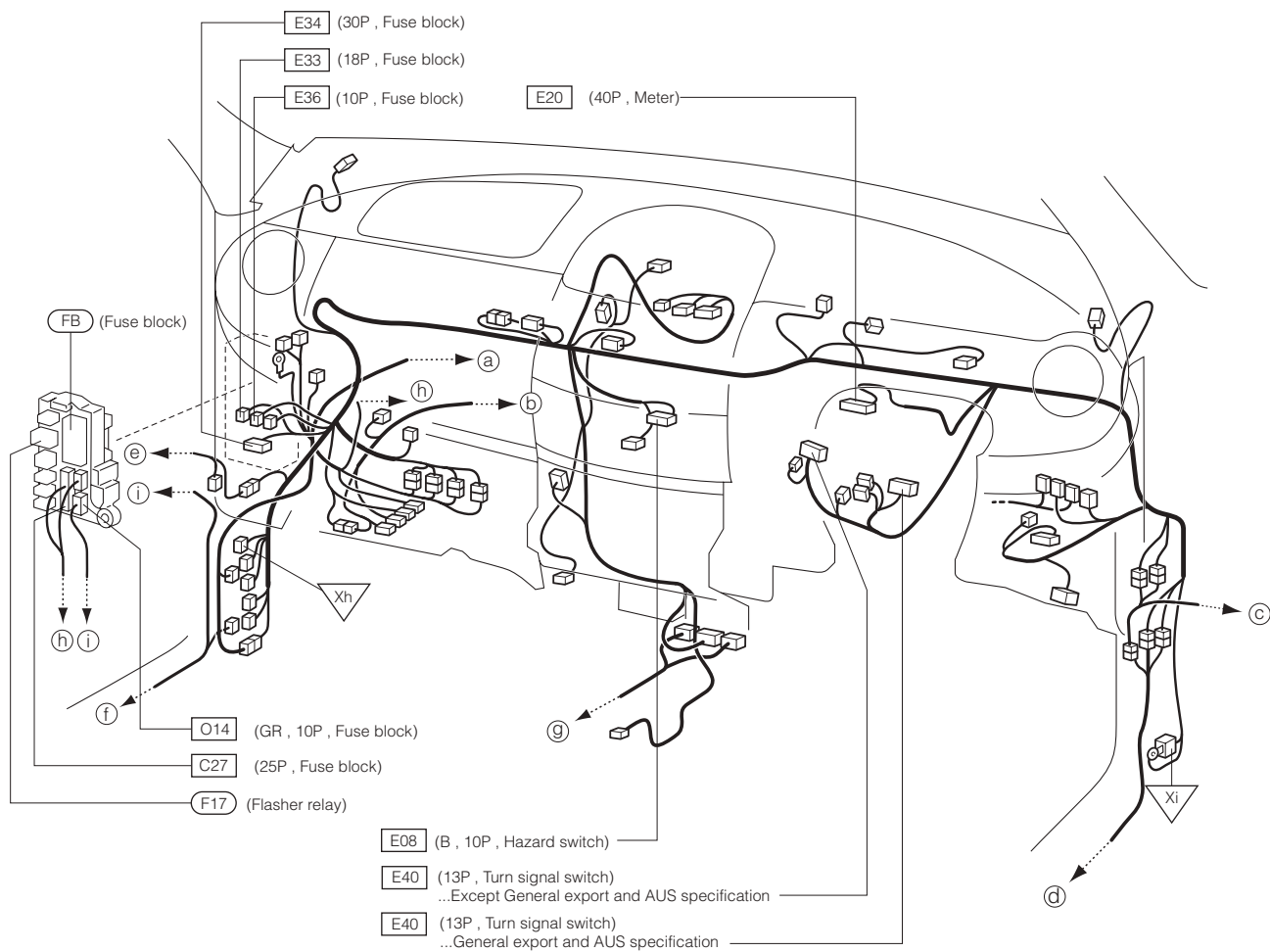


## 19 HAZARD WARNING & TURN SIGNAL LAMP 19-1 RHD VEHICLE

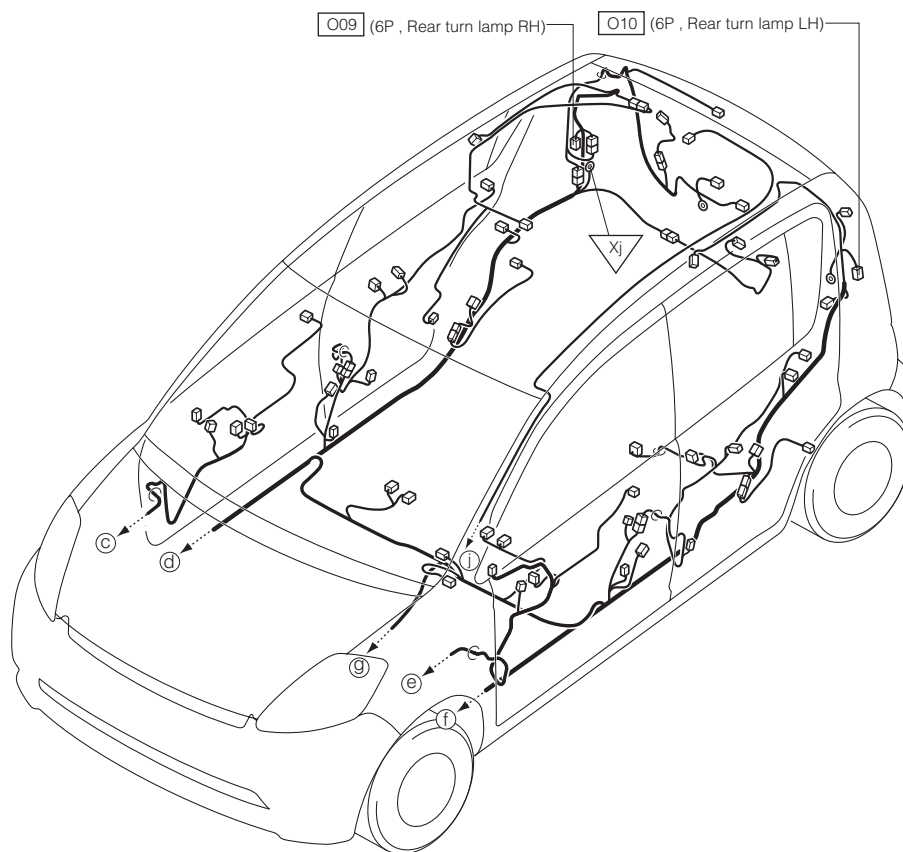
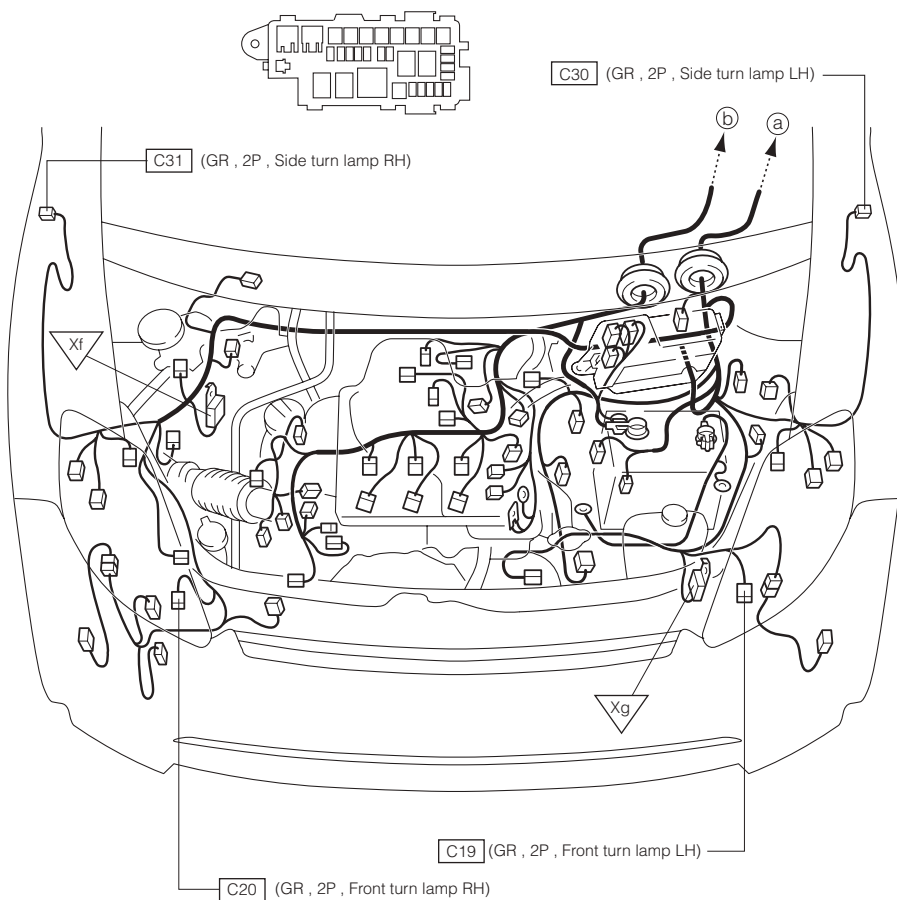
\*1: General export and AUS specification  
\*2: Except General export and AUS specification



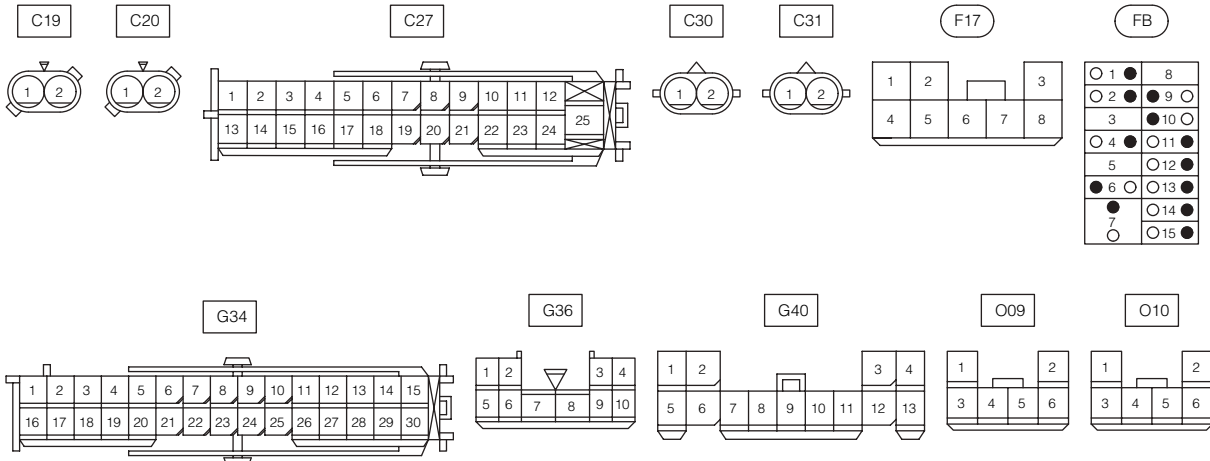
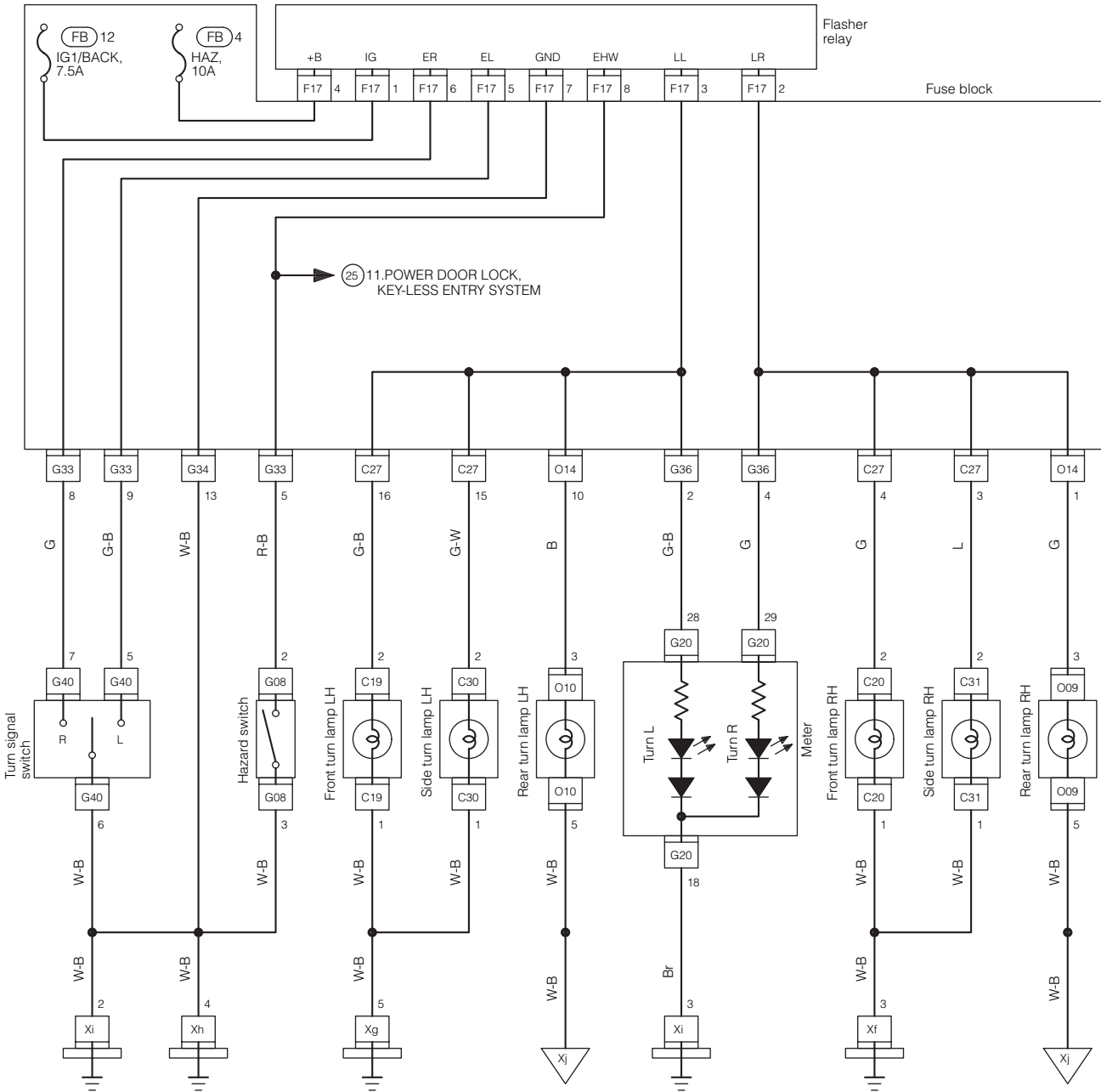


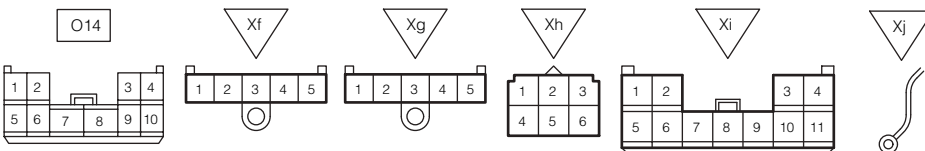


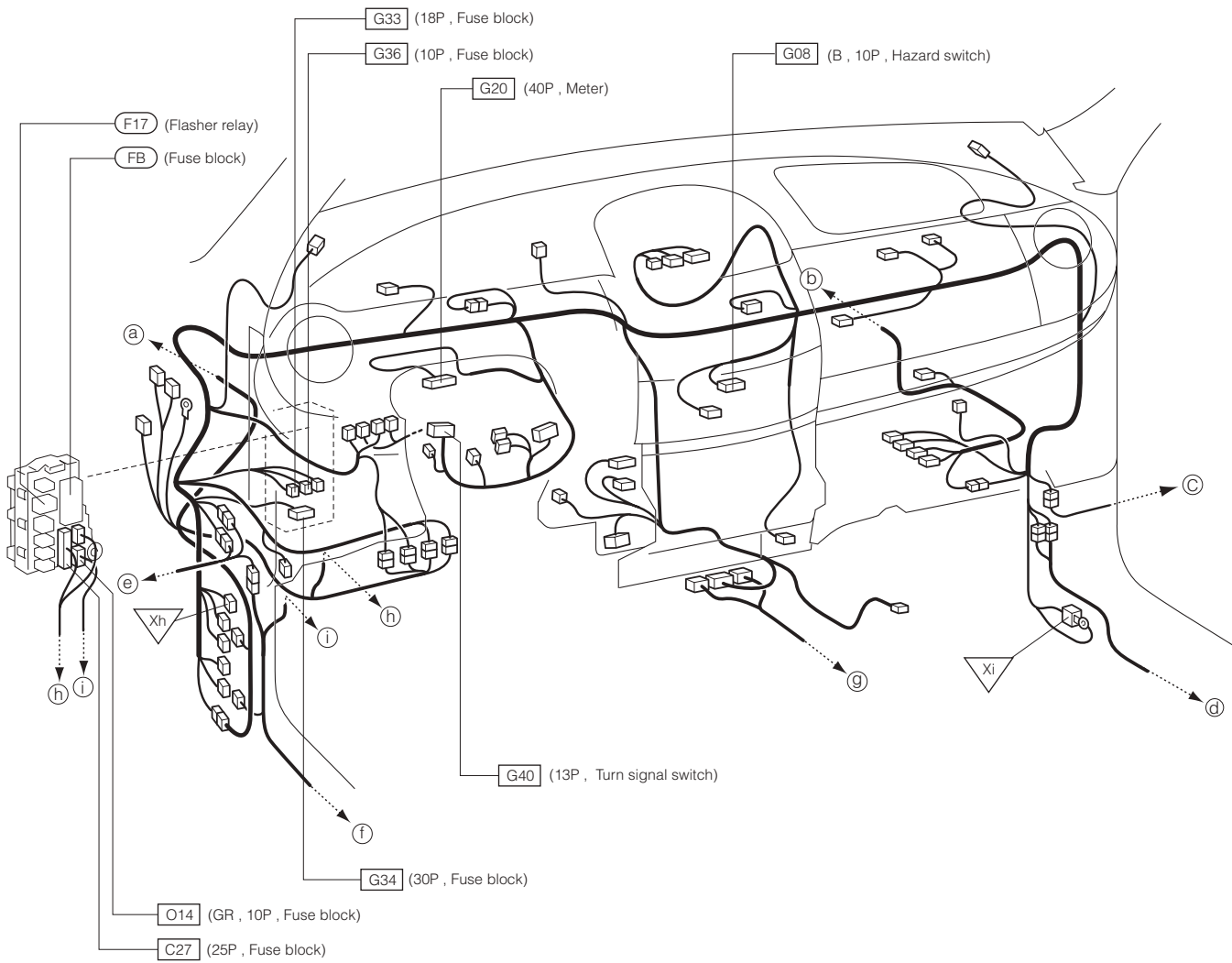


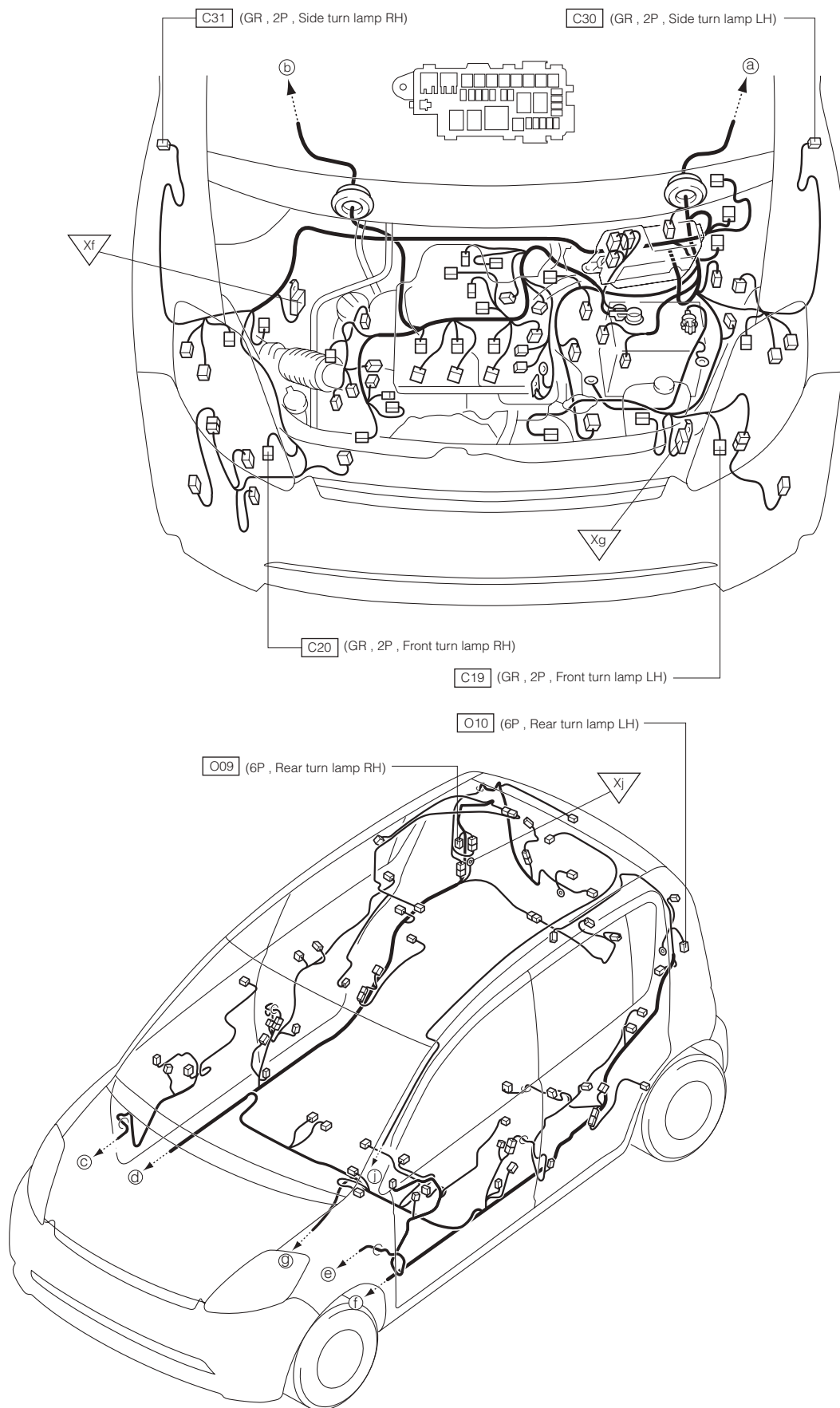


## 19-2 LHD VEHICLE



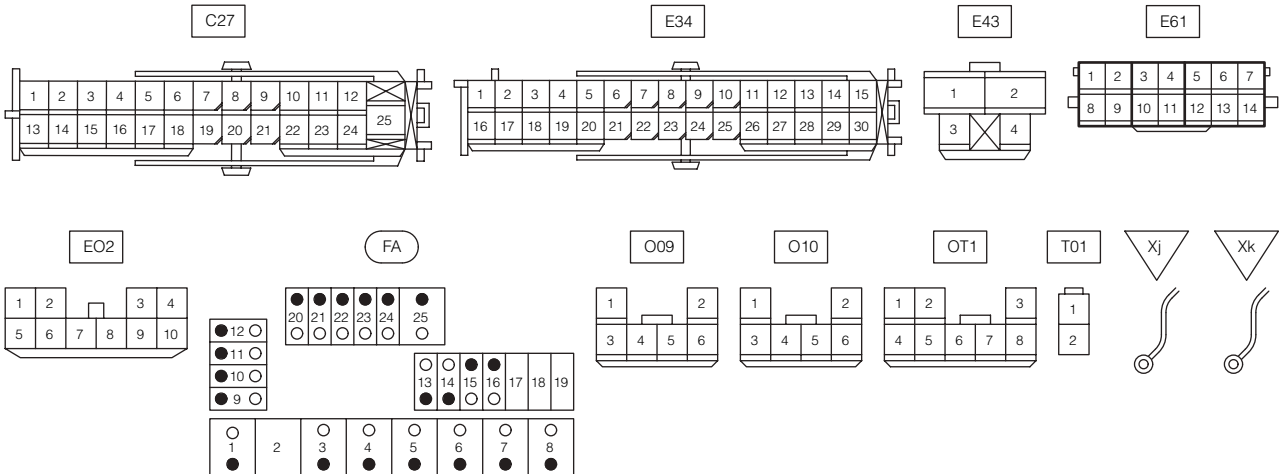
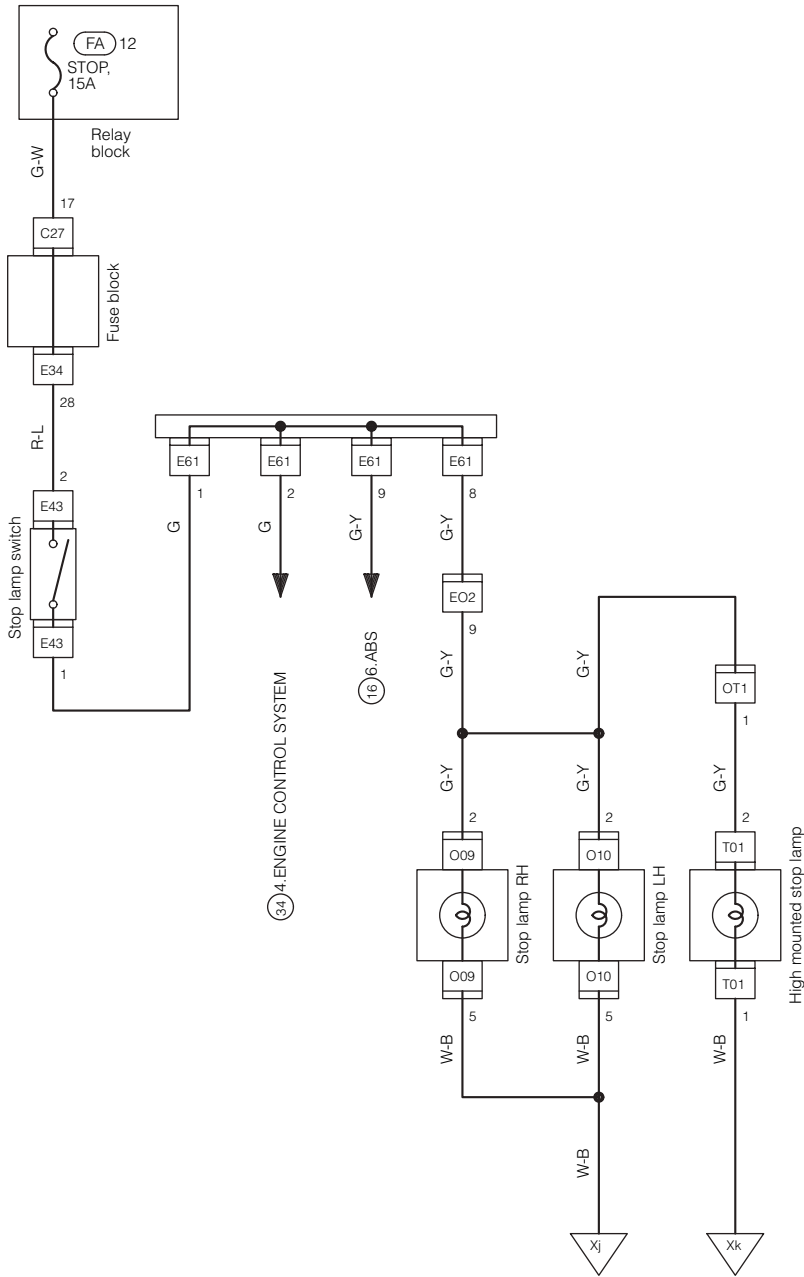




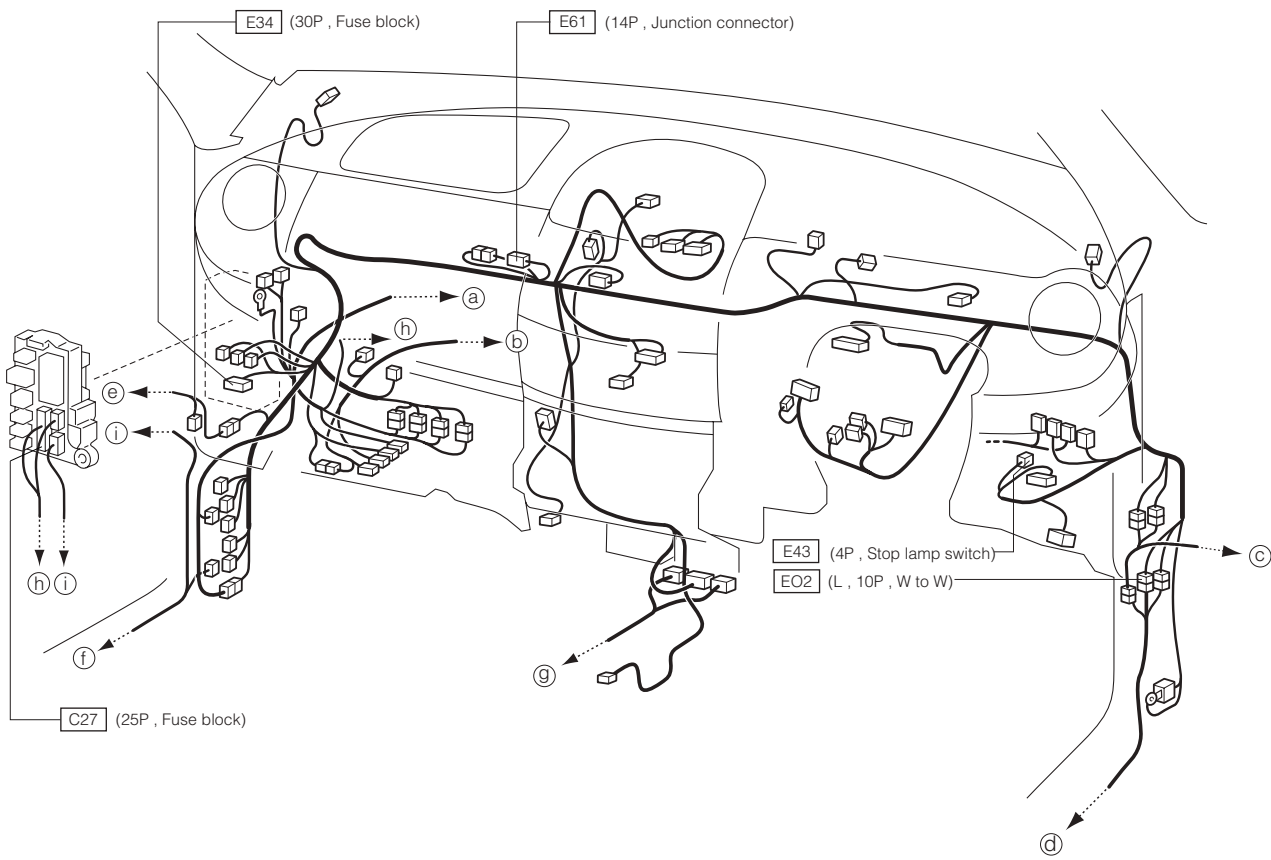


# D-173

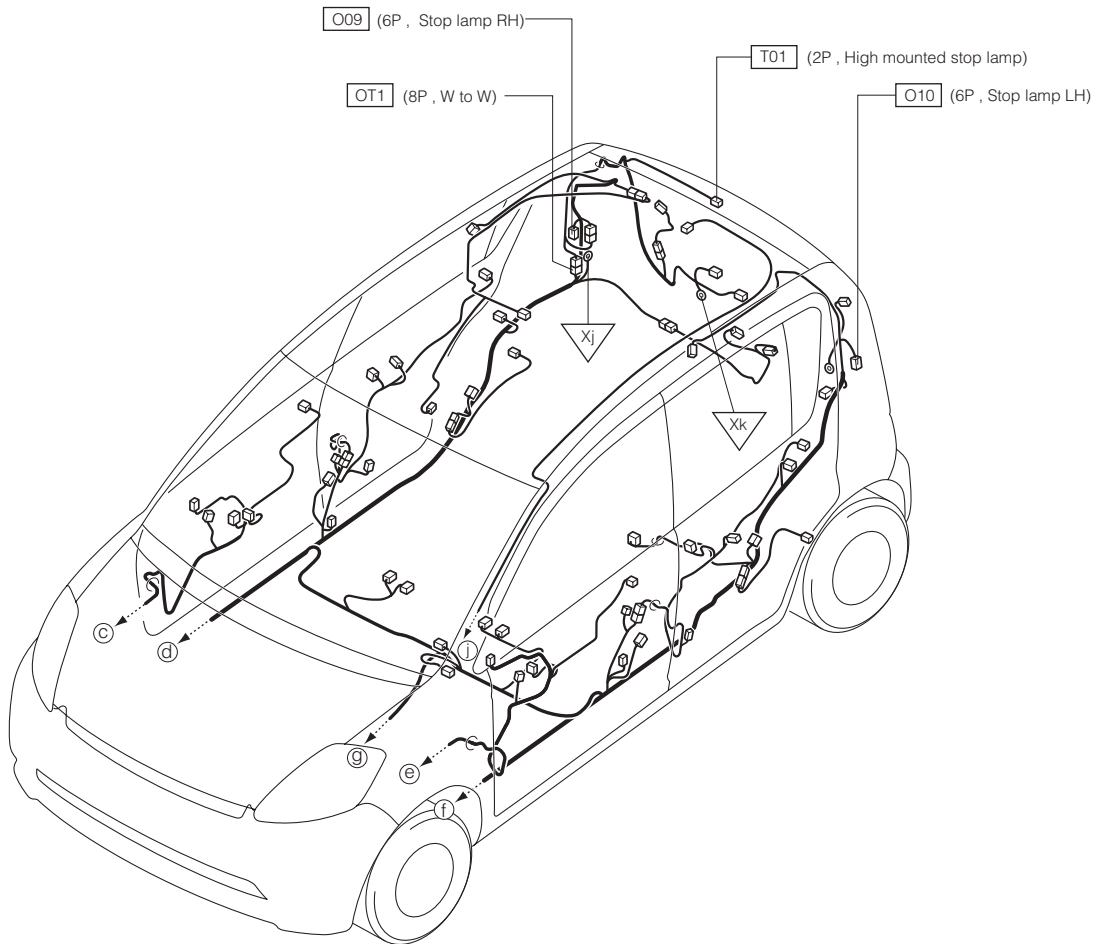
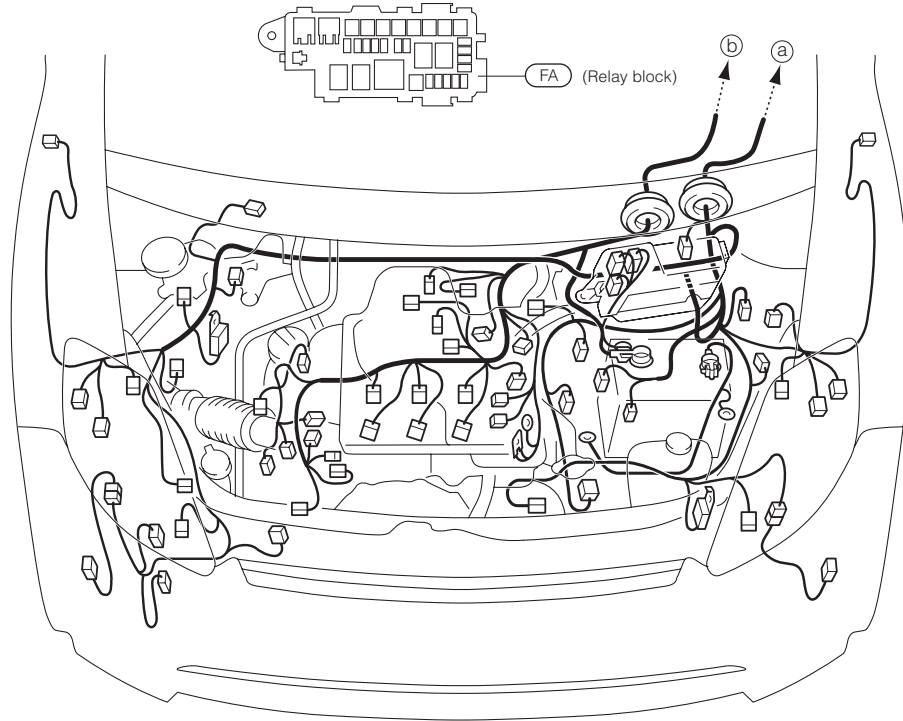
## 20 STOP LAMP 20-1 RHD VEHICLE



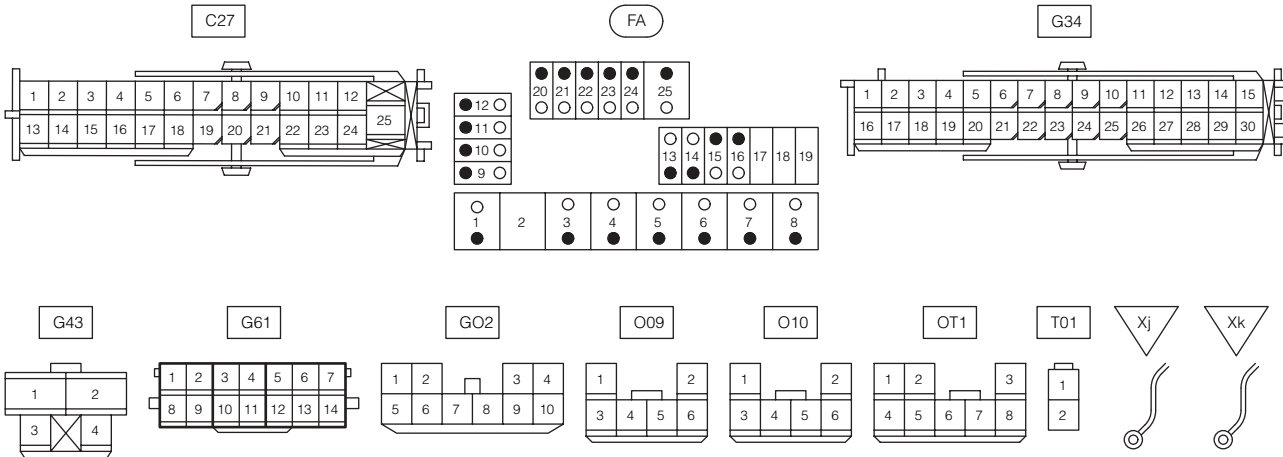
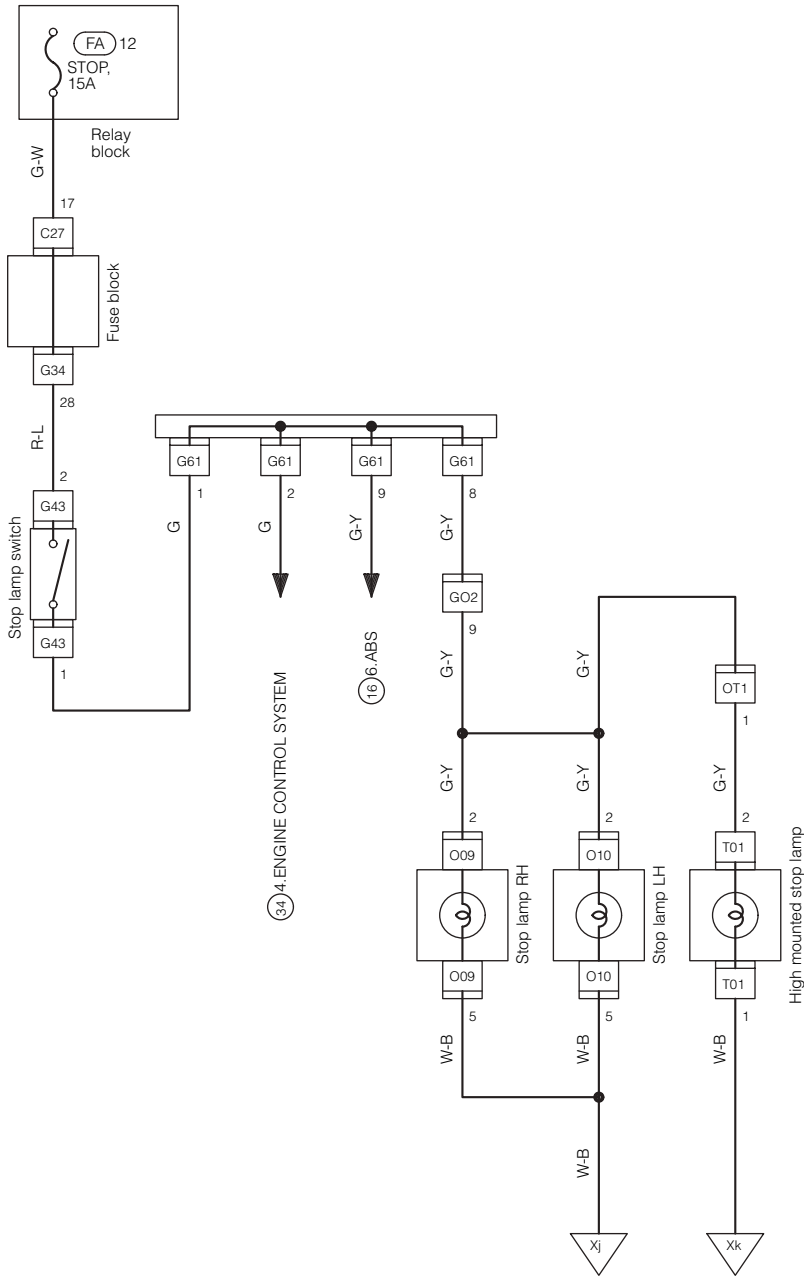
(MEMO)



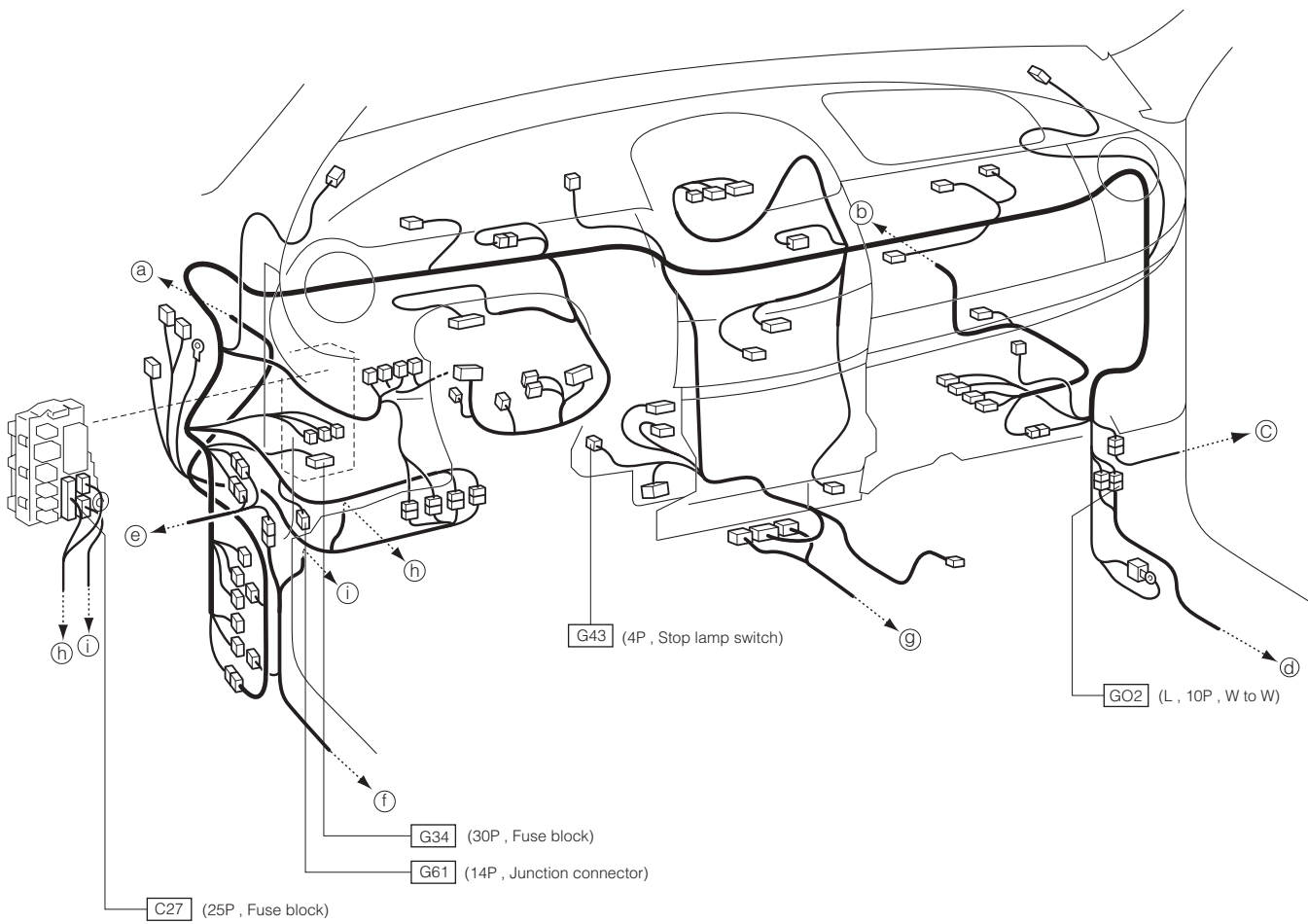


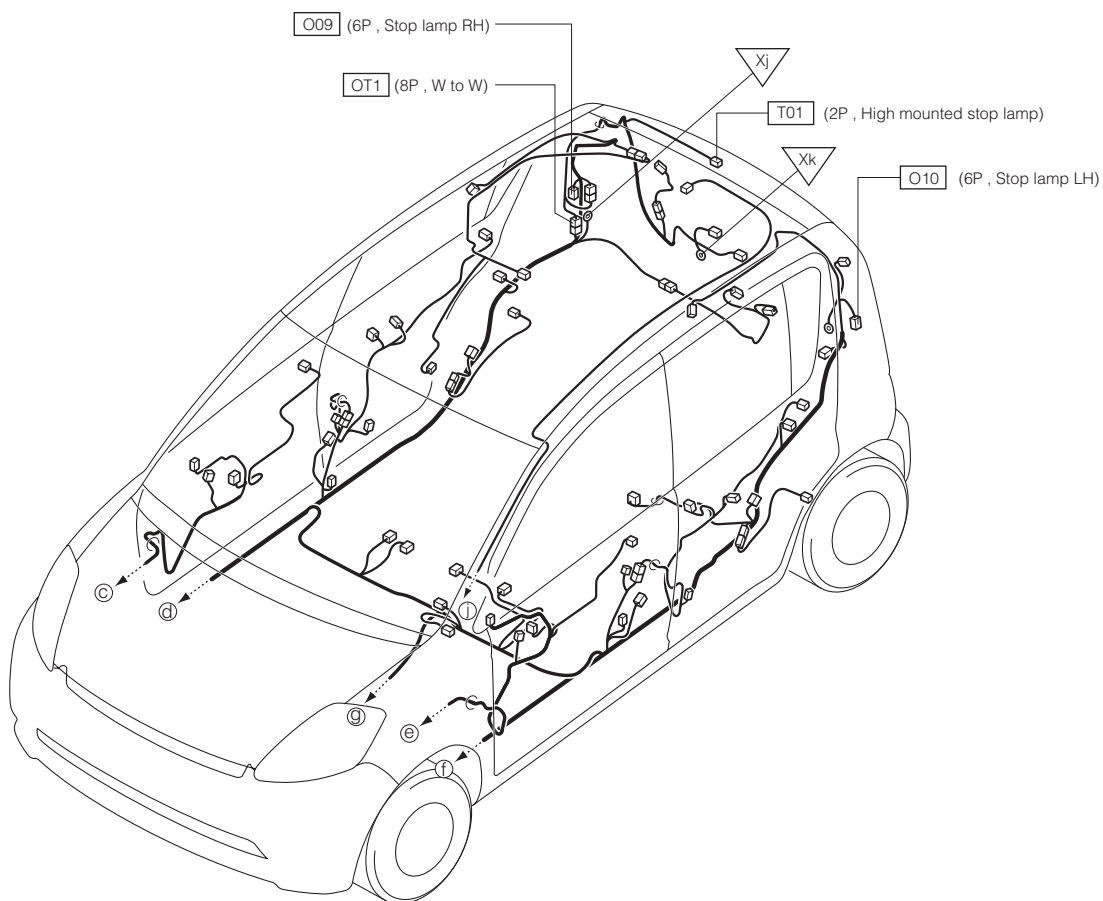
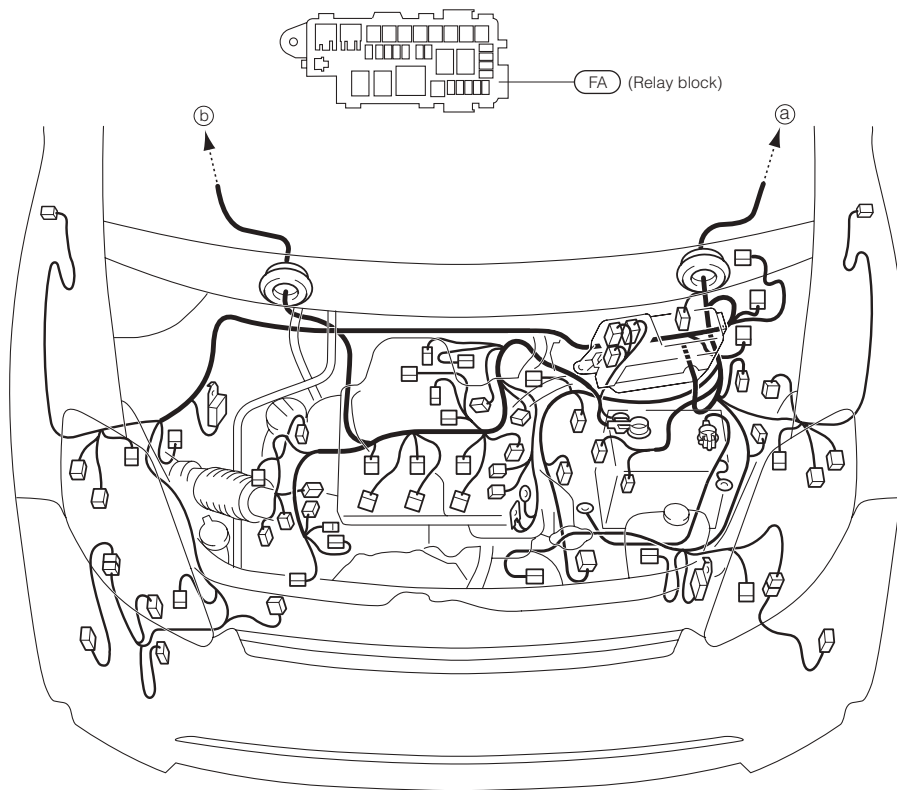


## 20-2 LHD VEHICLE



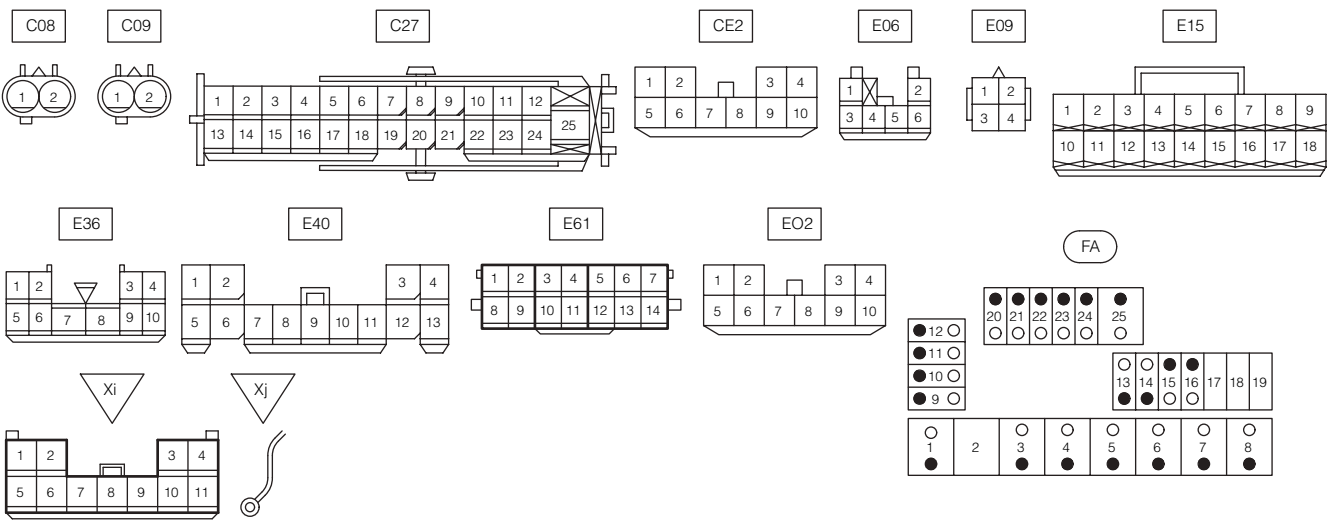
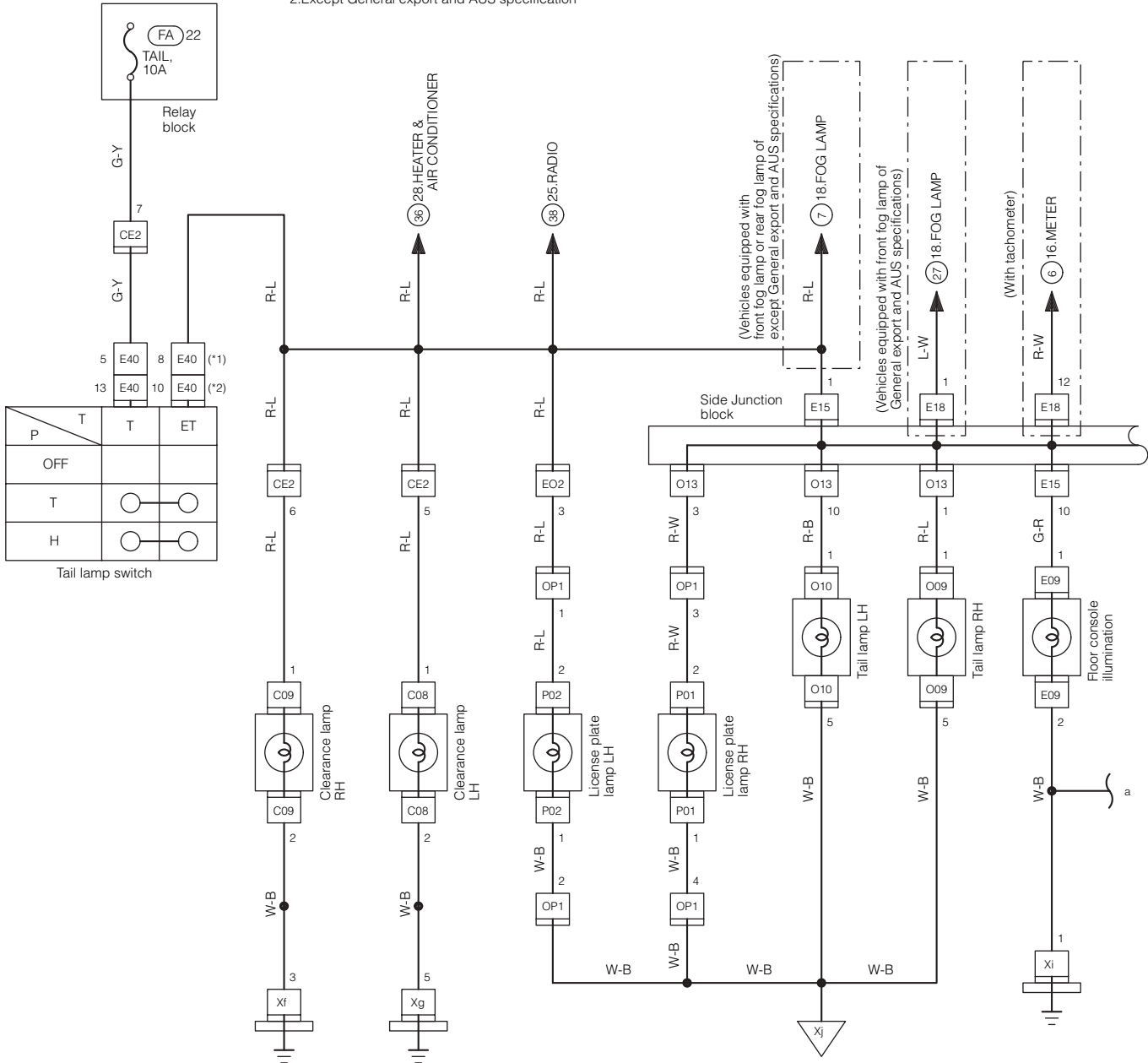
(MEMO)

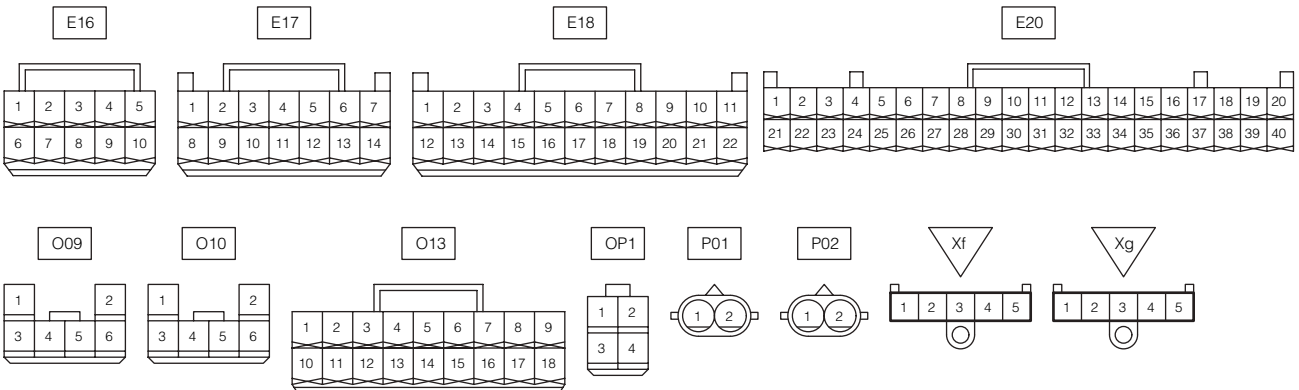
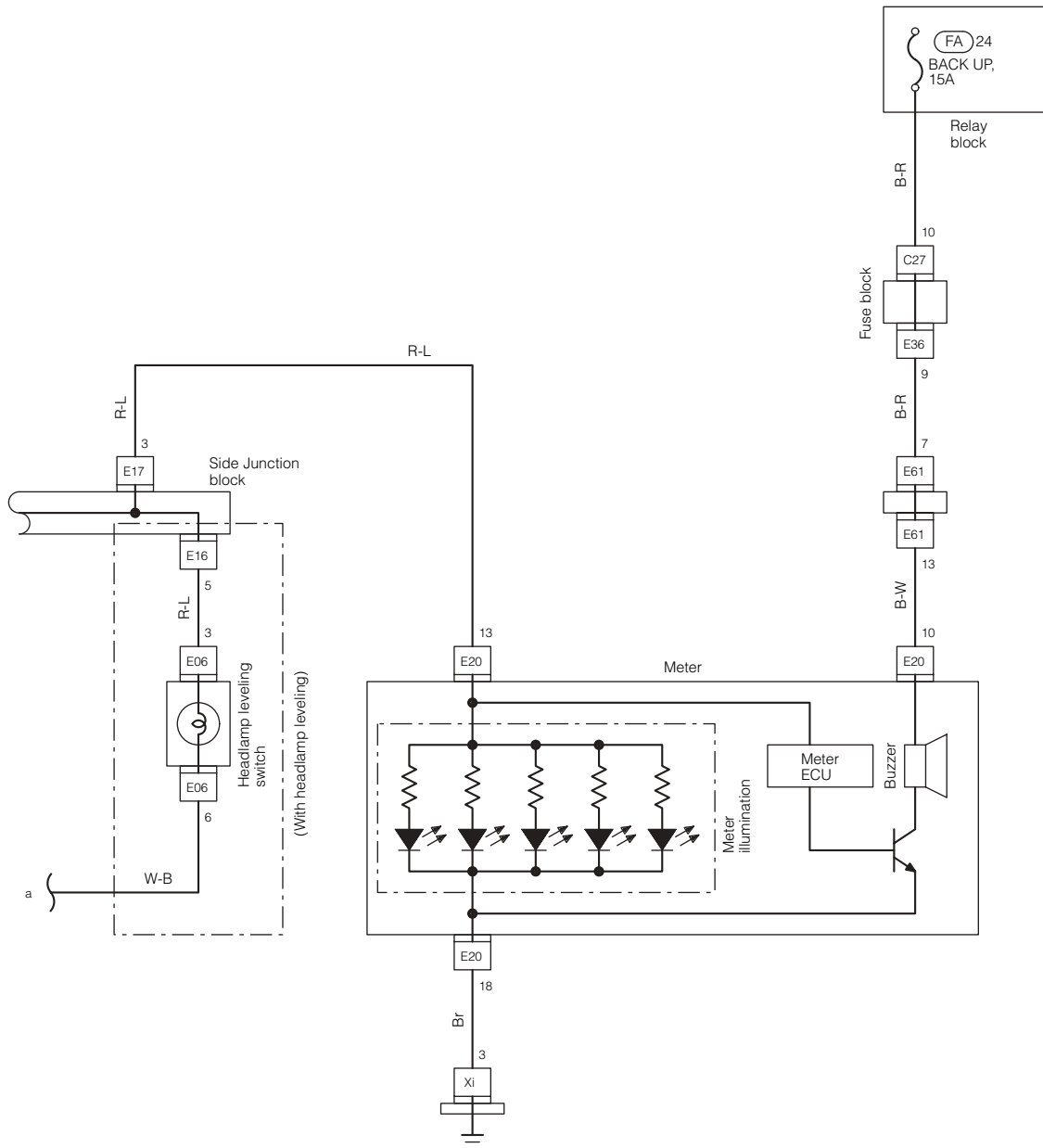


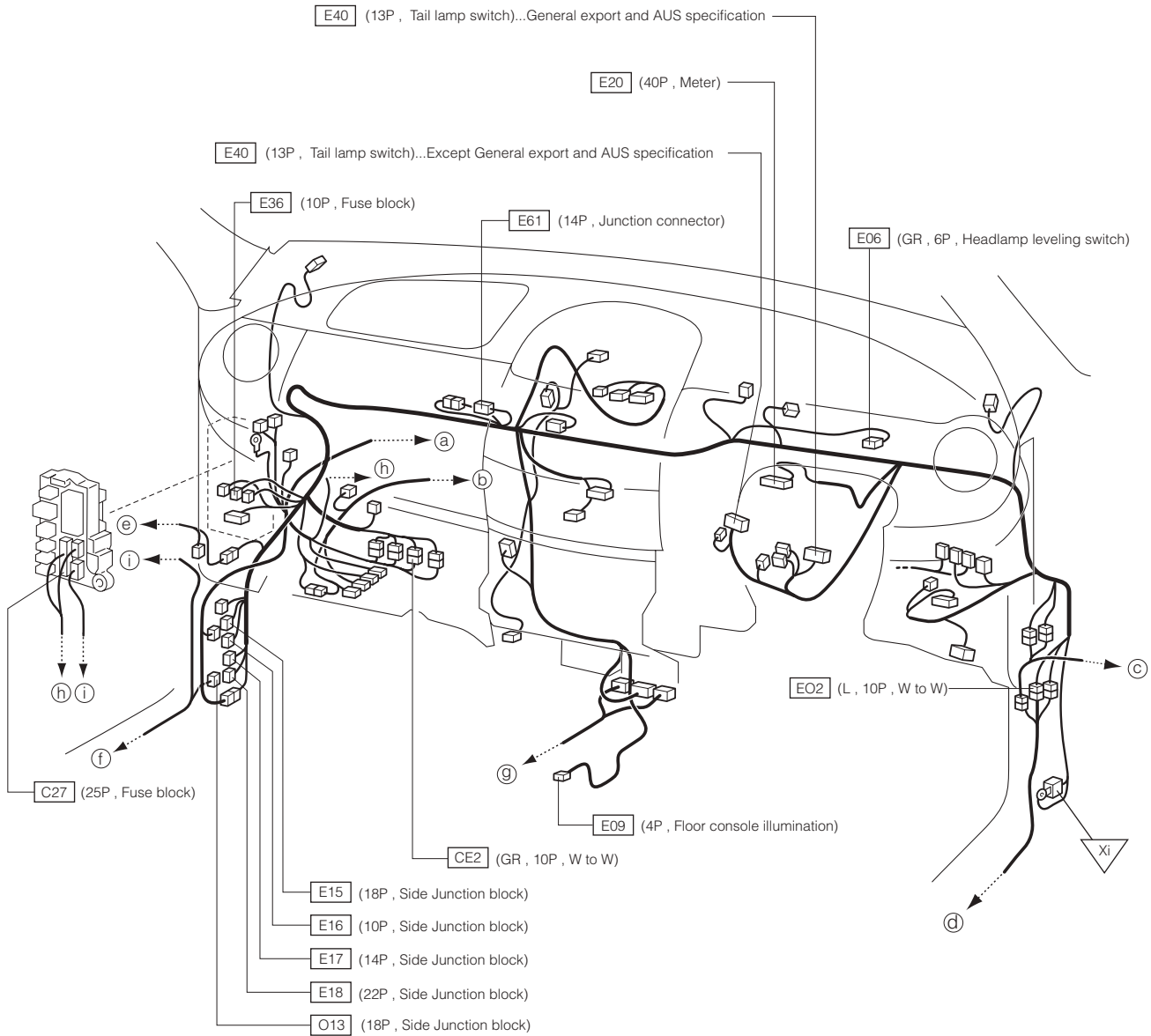


## 21 TAIL & LICENSE PLATE LAMP 21-1 RHD VEHICLE

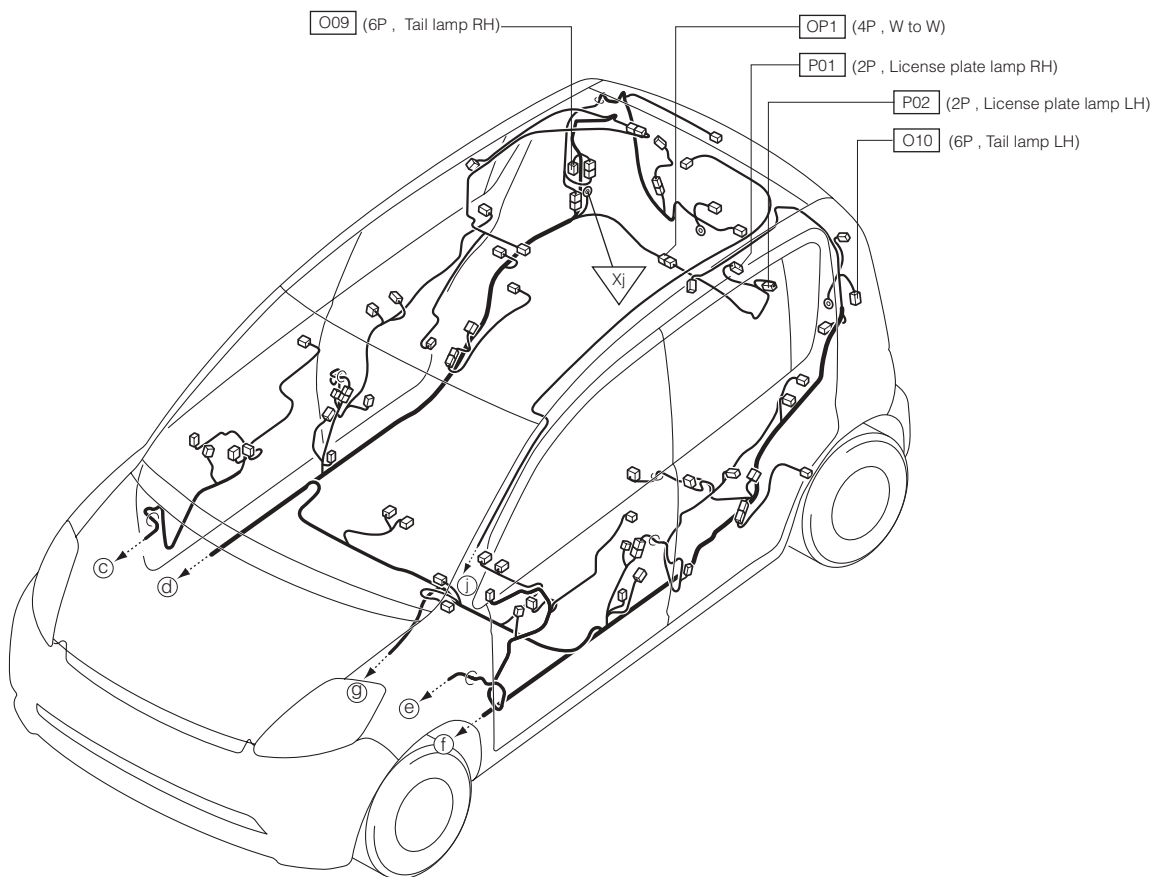
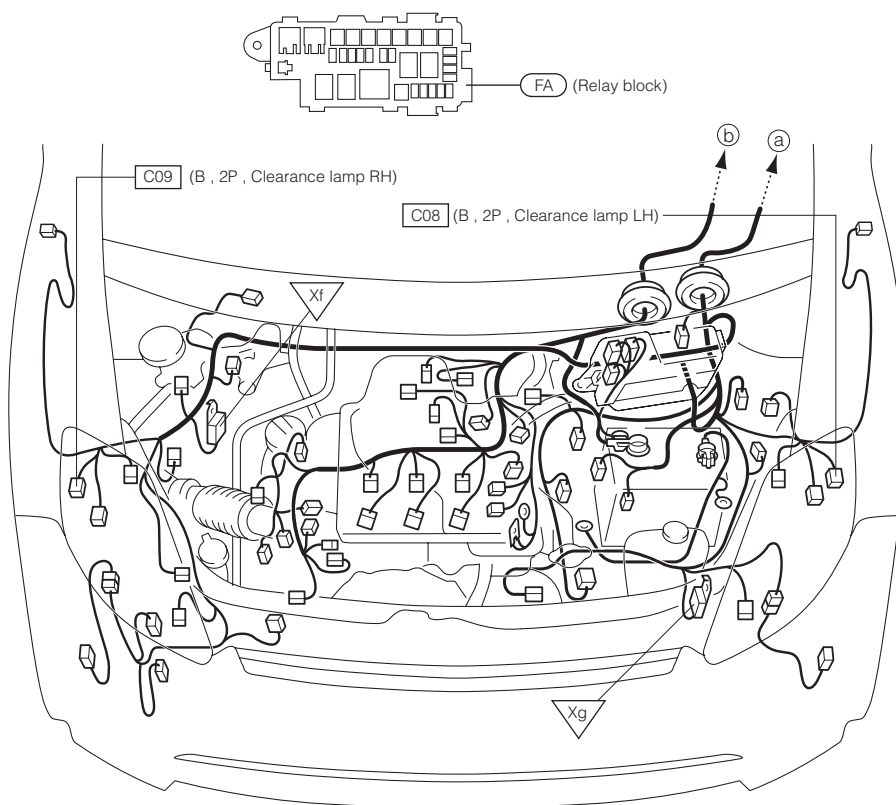
\*1:General export and AUS specification  
\*2:Except General export and AUS specification



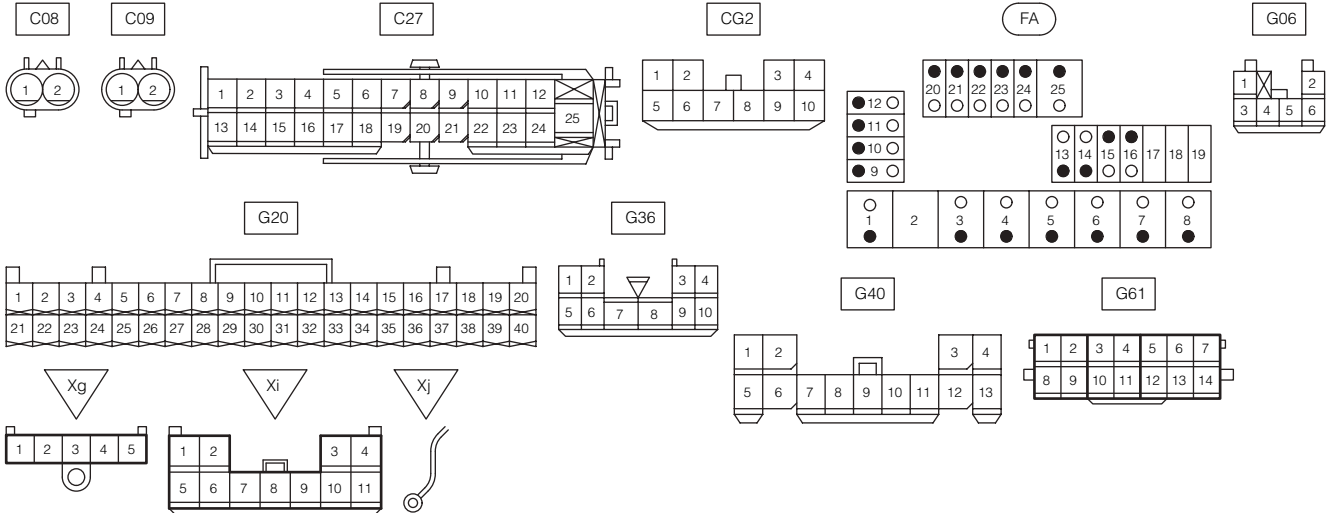
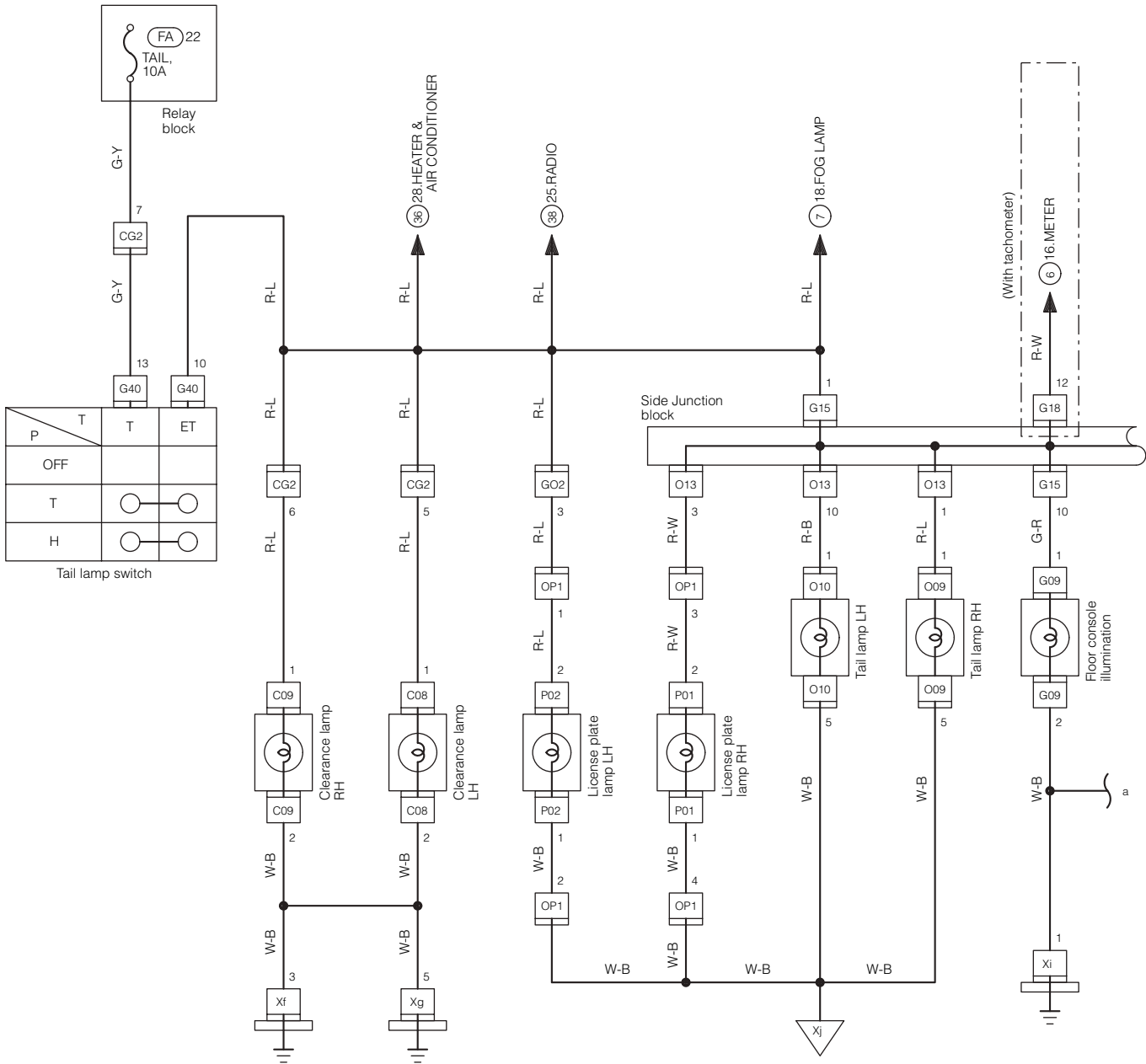


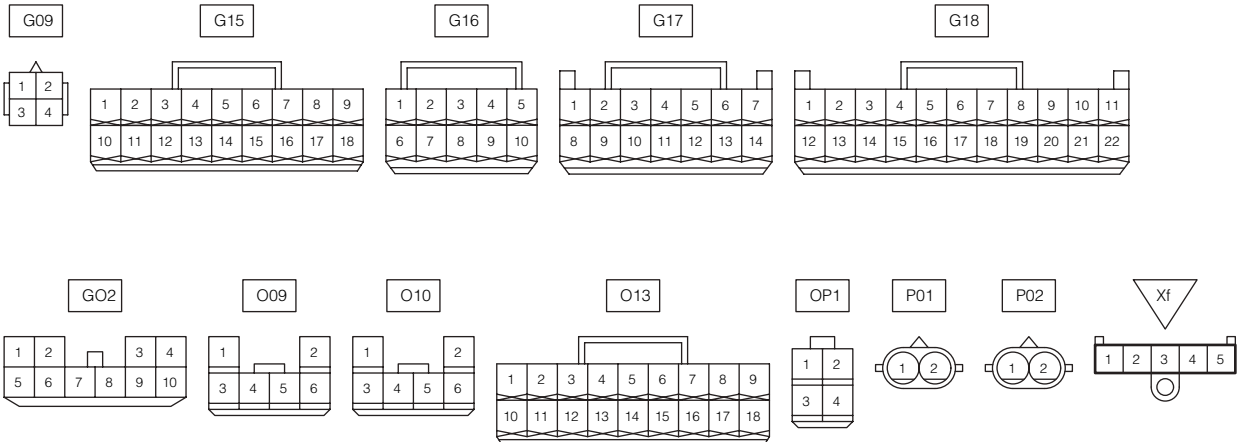
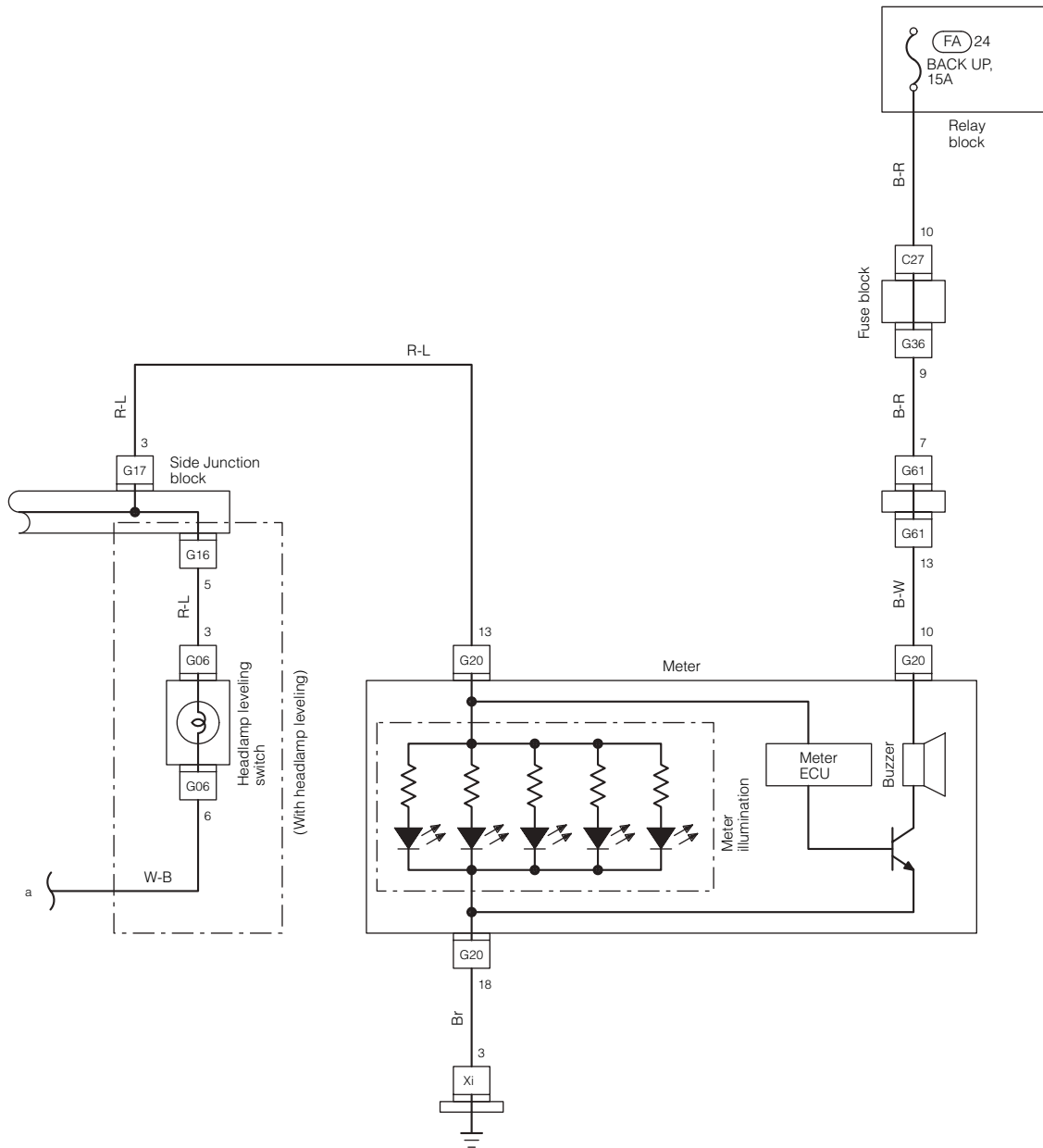


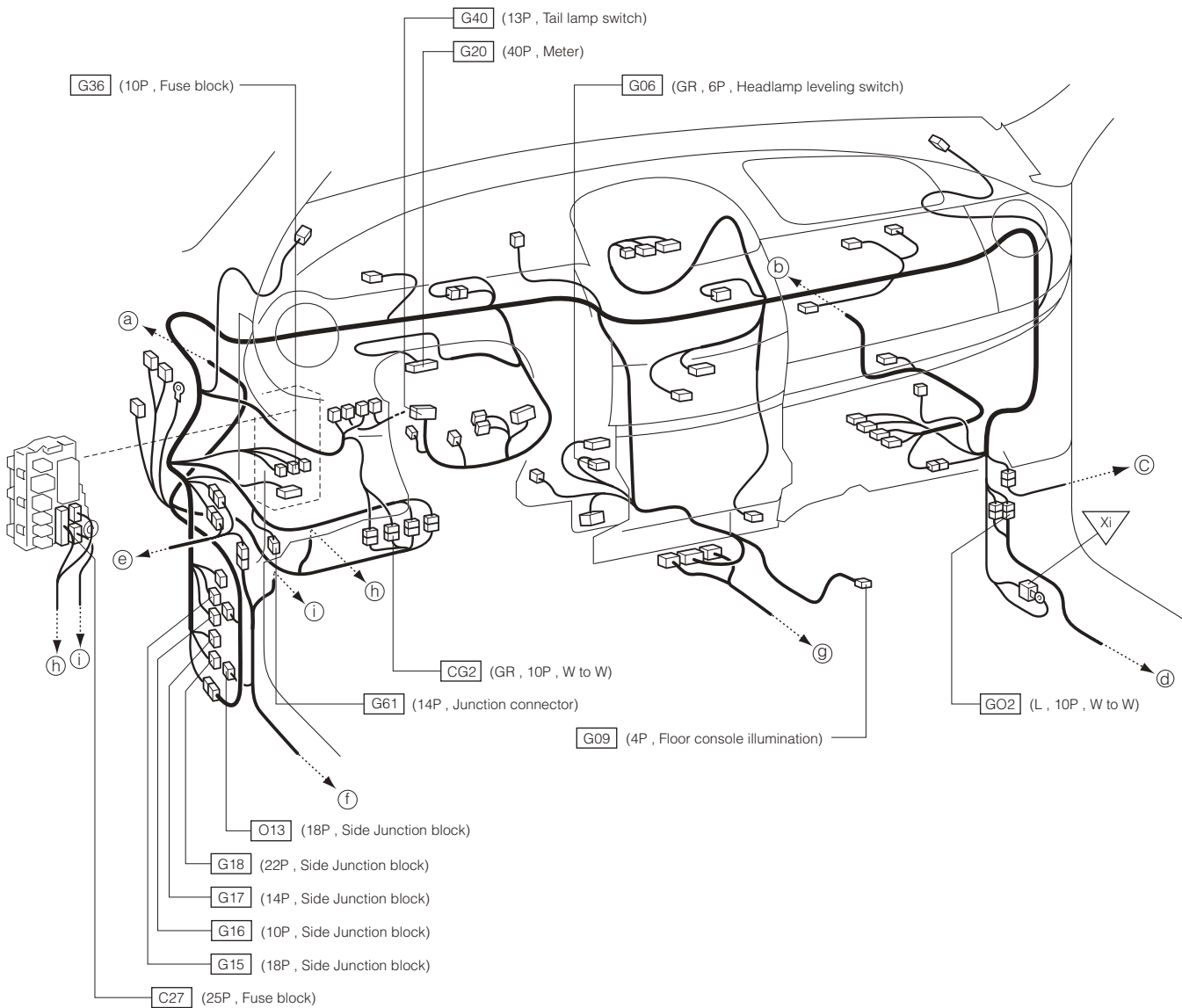


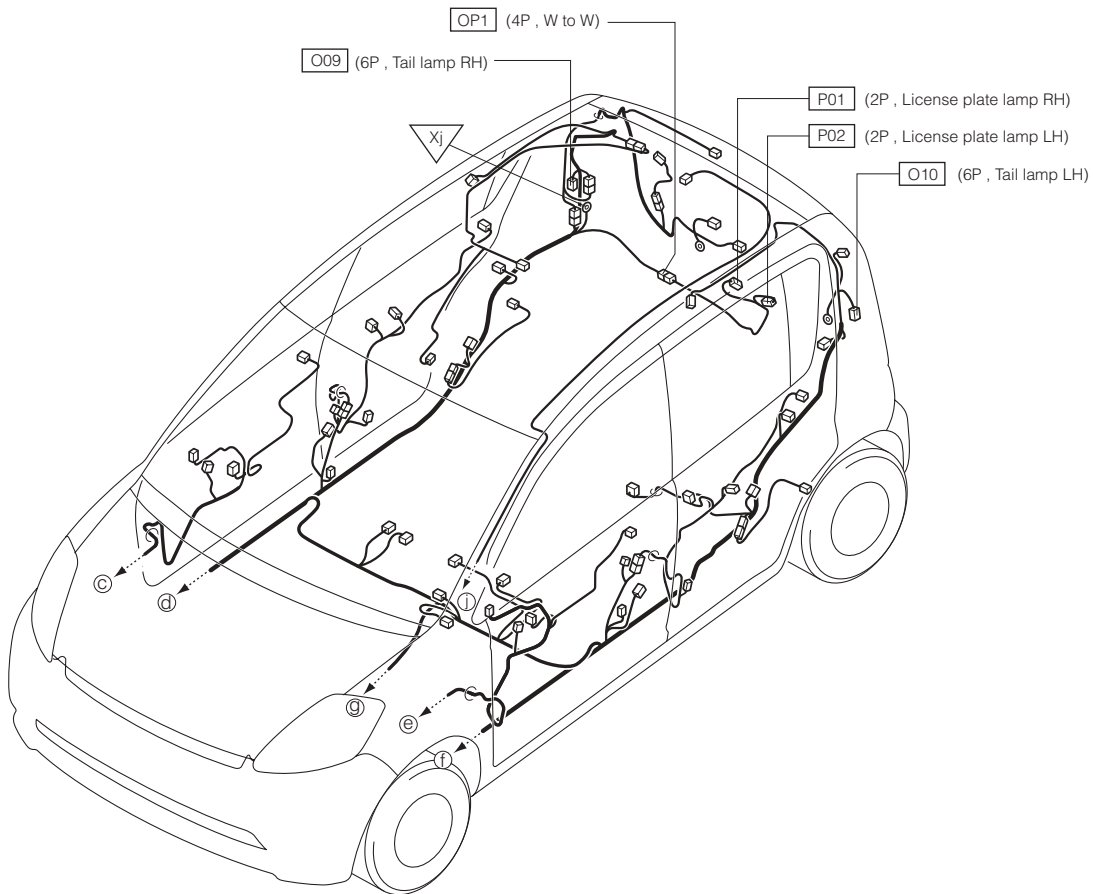
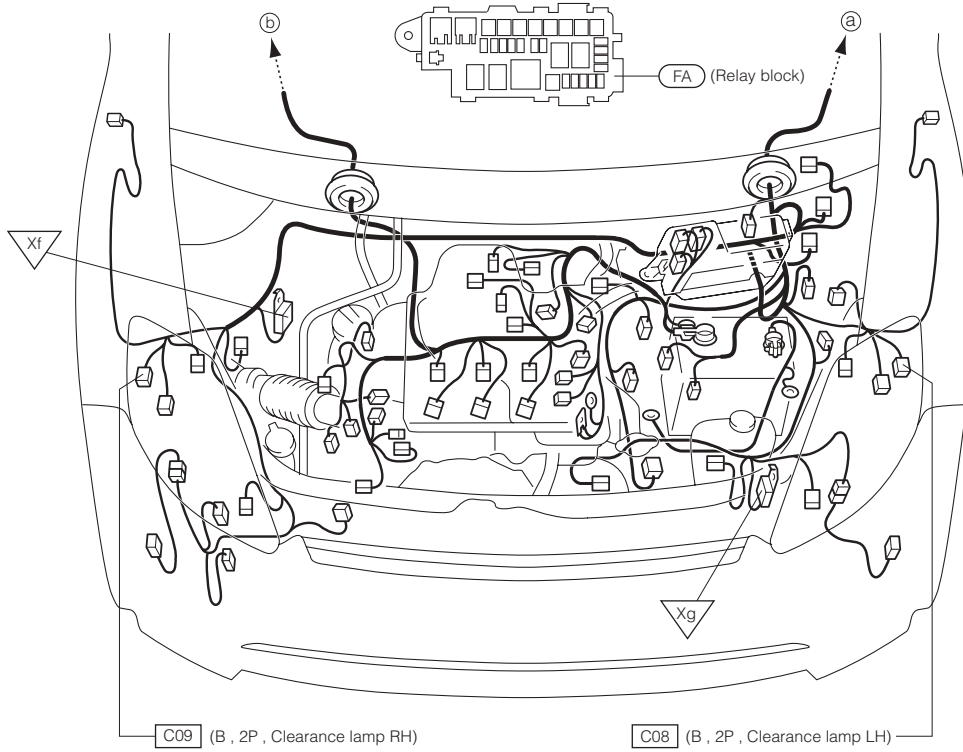


## 21-2 LHD VEHICLE

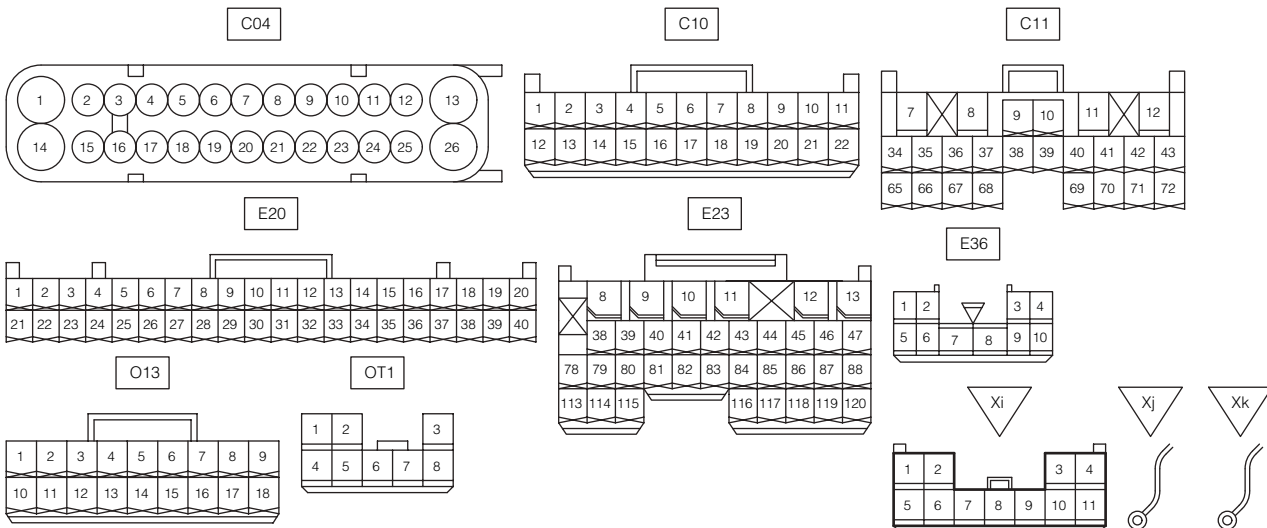
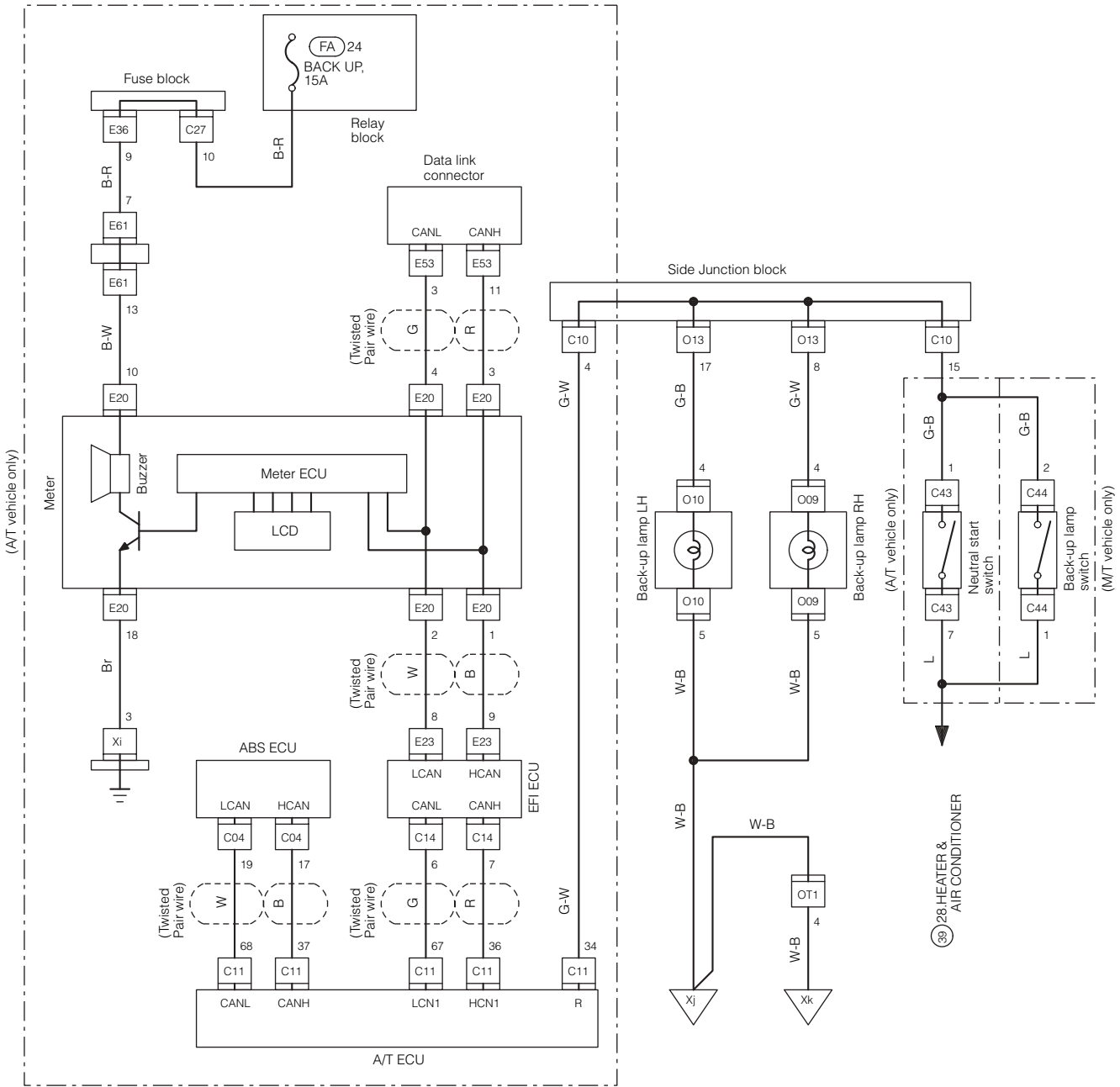


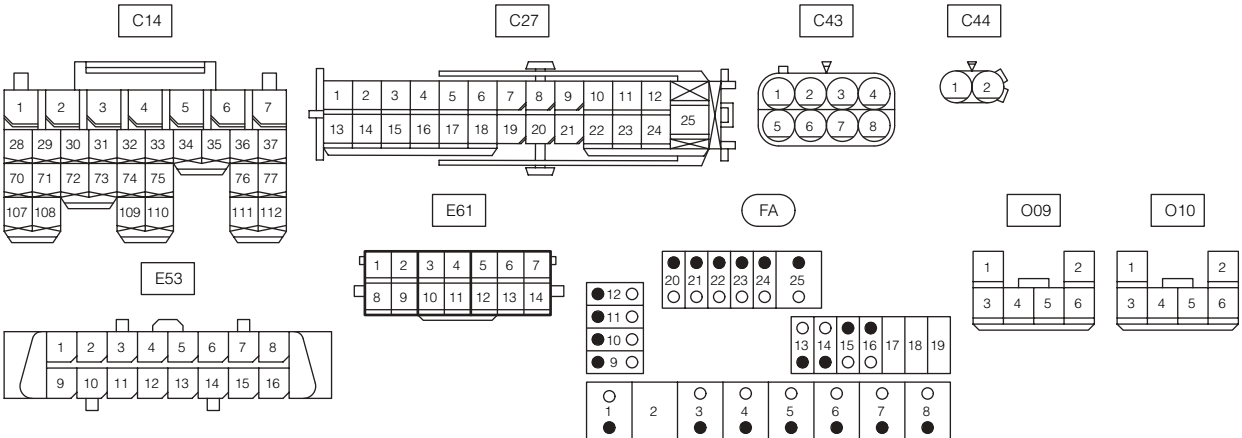


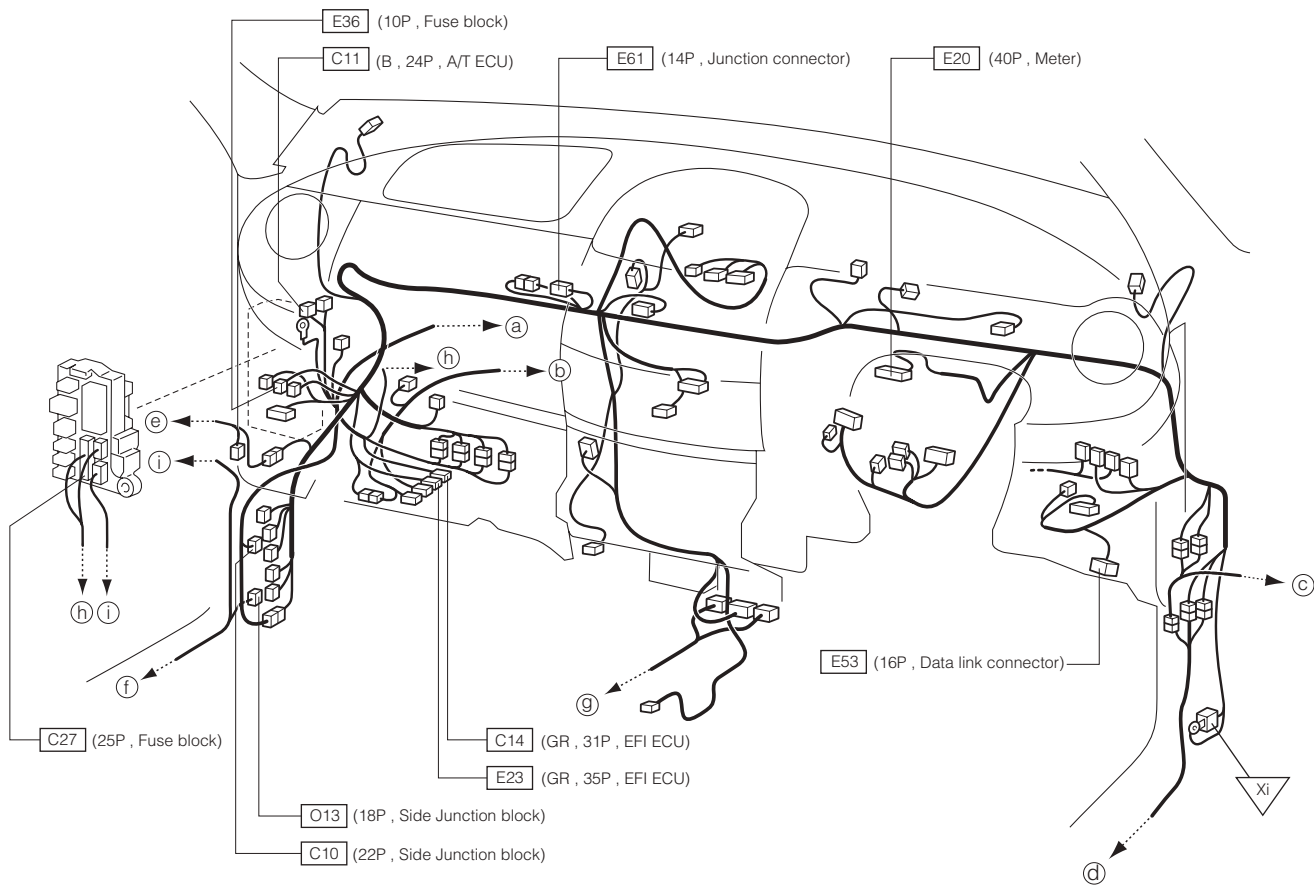




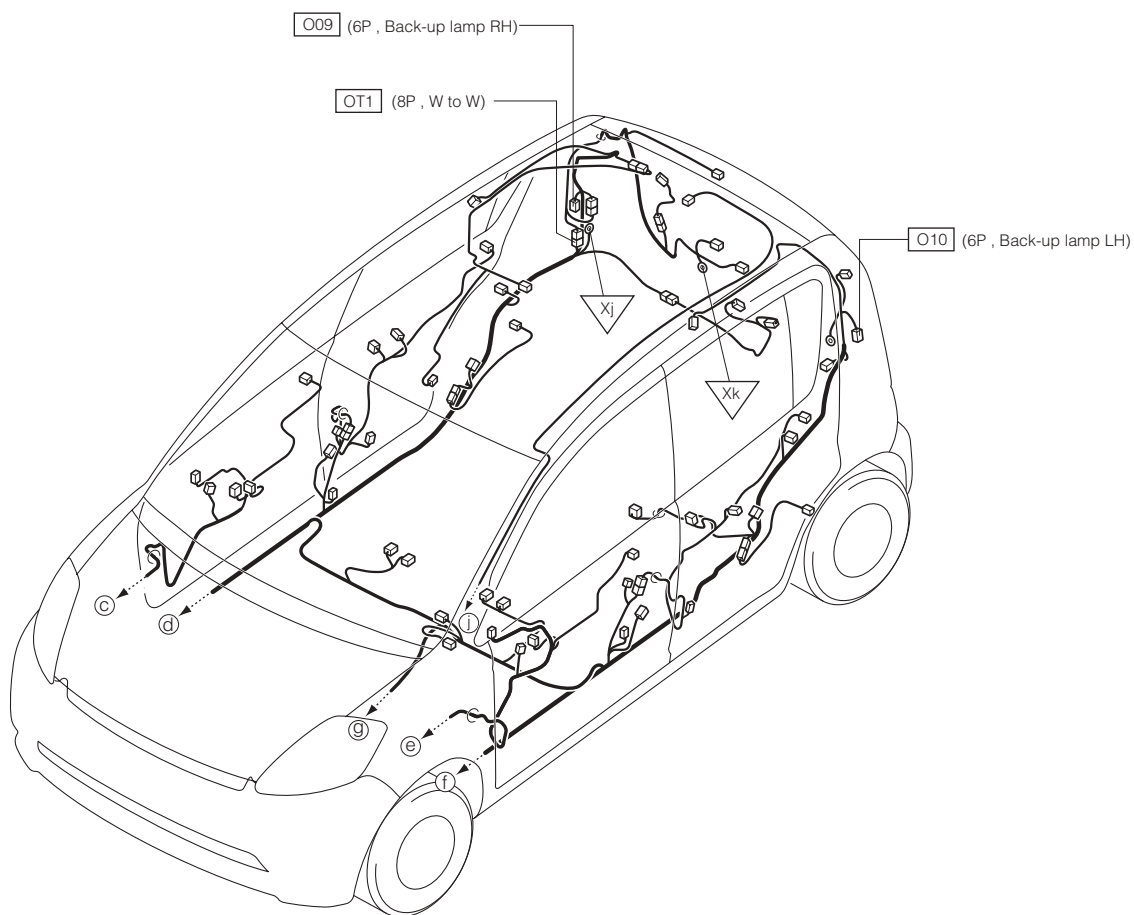
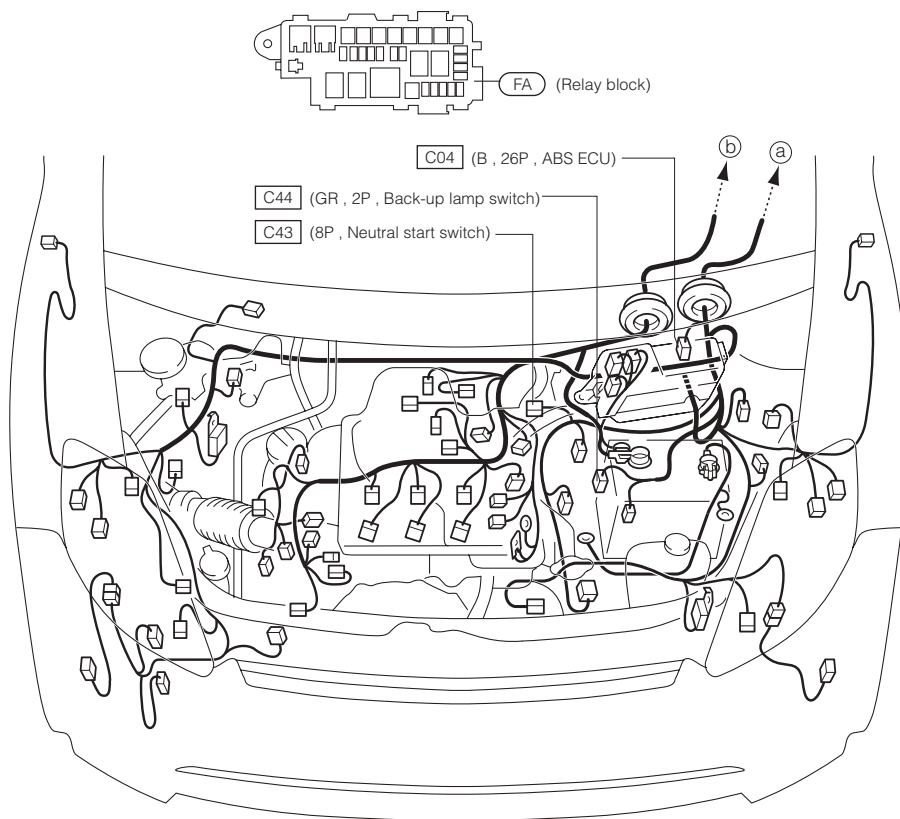
## 22 BACK UP LAMP 22-1 RHD VEHICLE



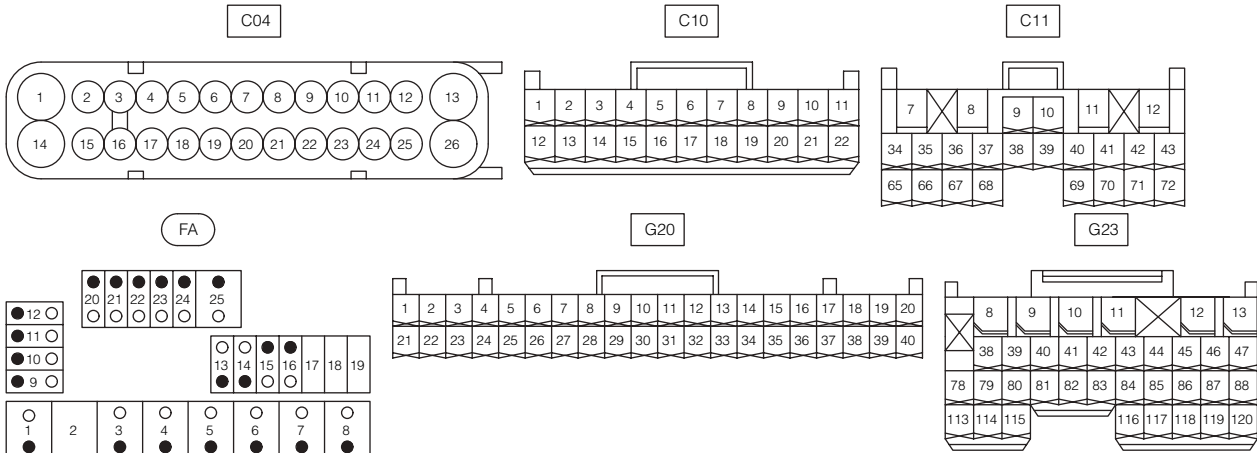
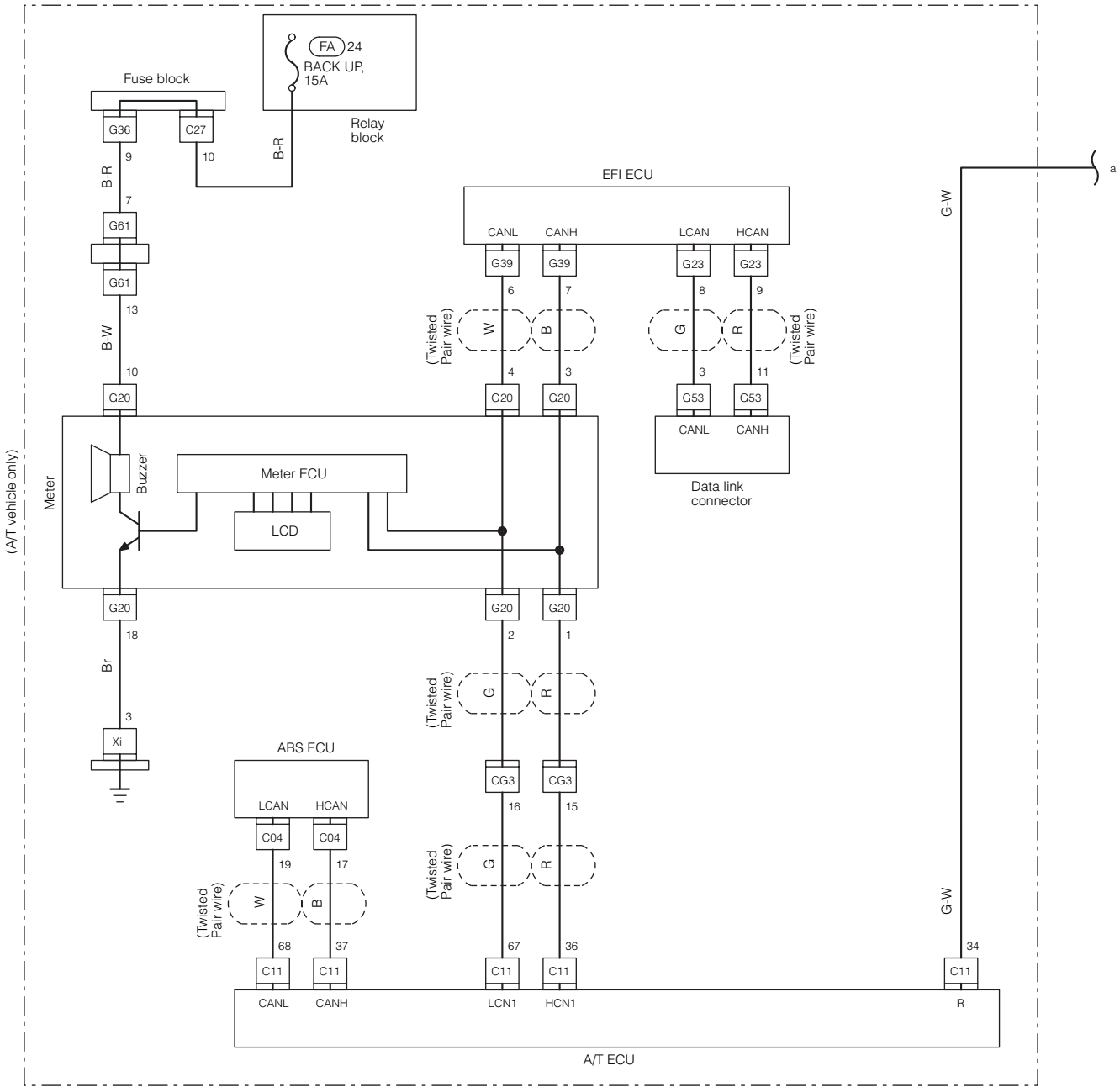


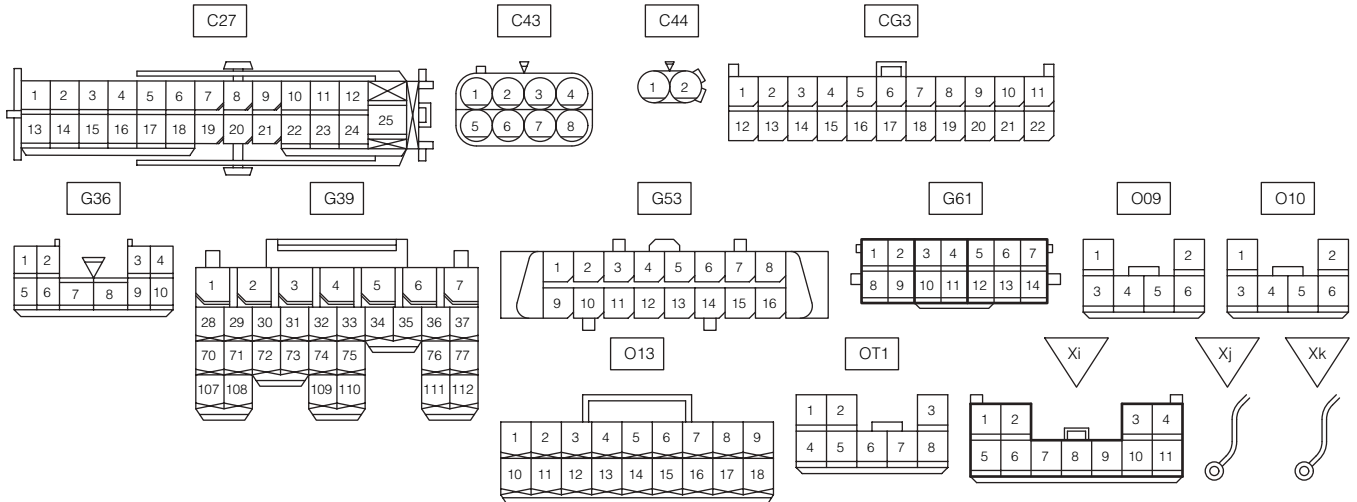
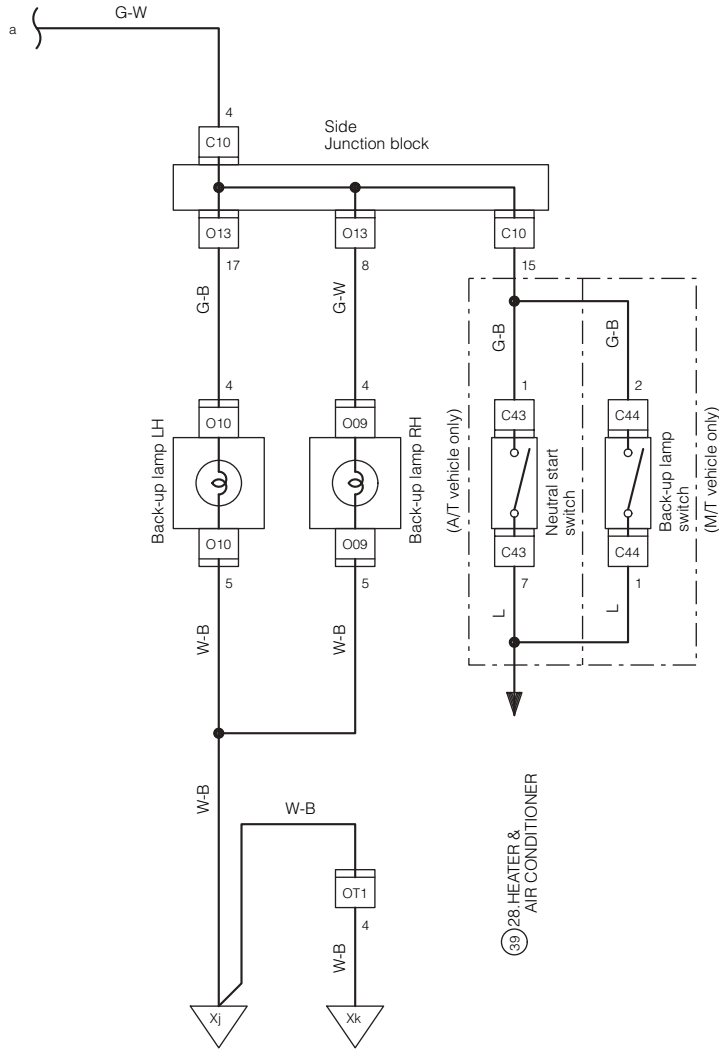


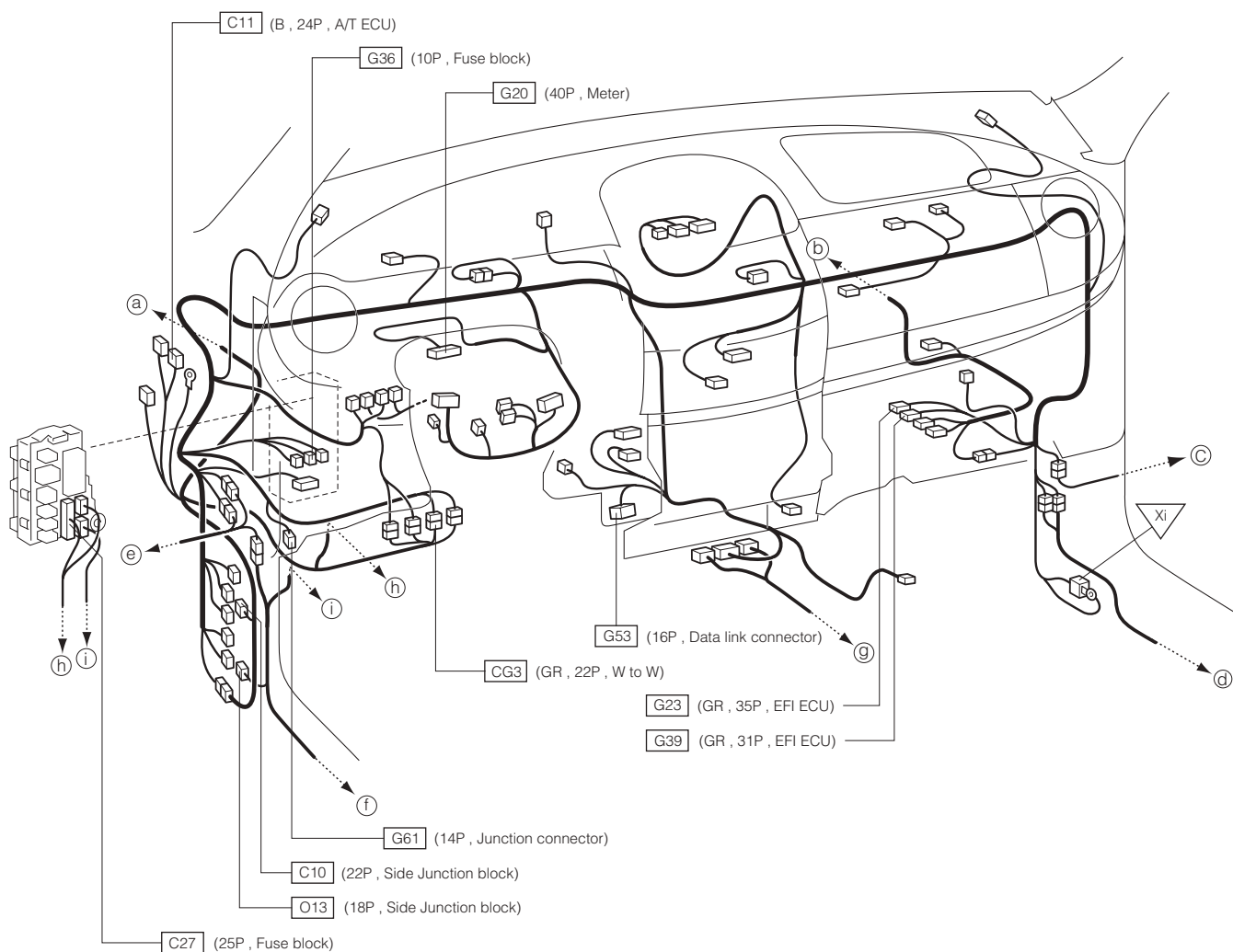


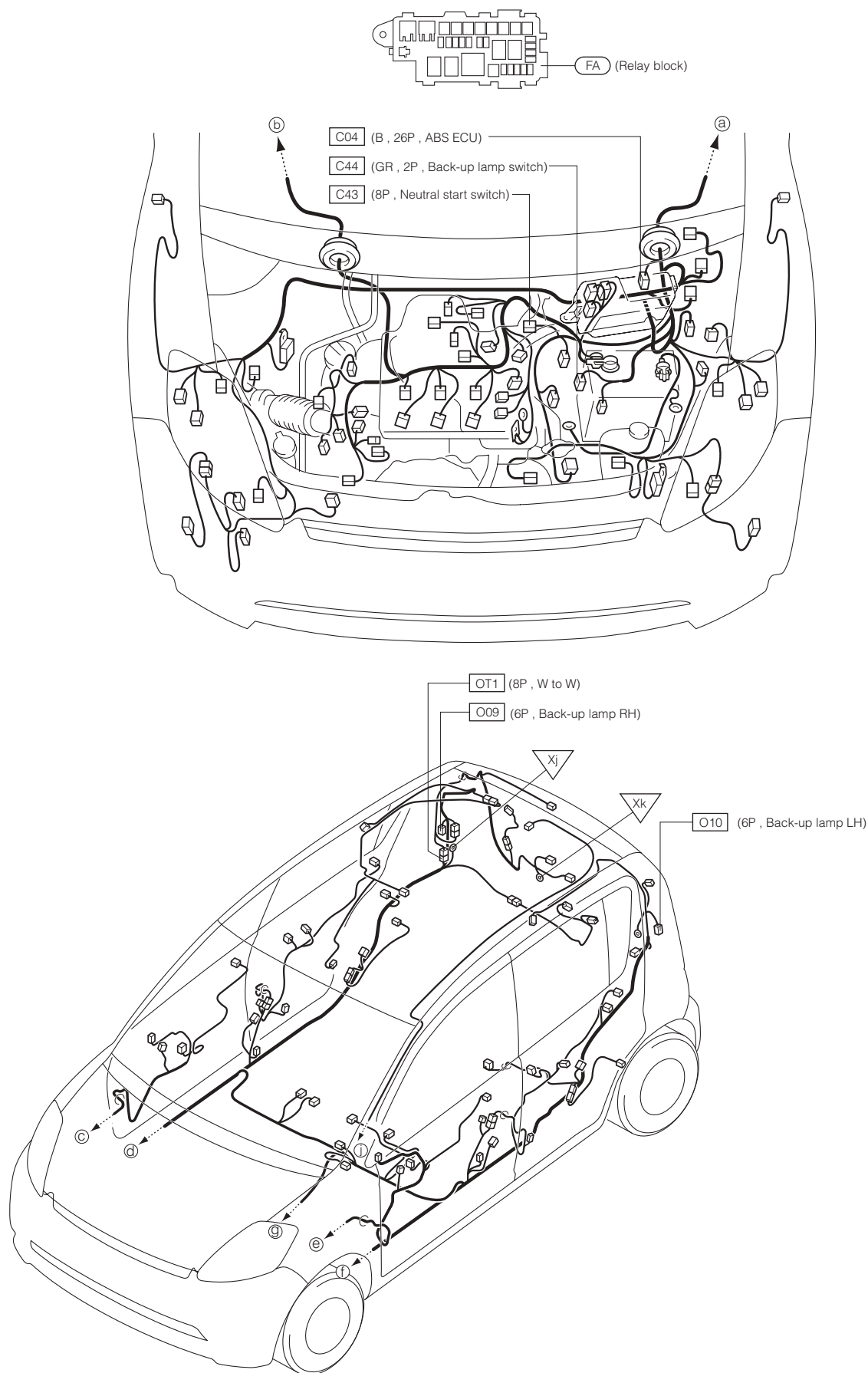


## 22-2 LHD VEHICLE

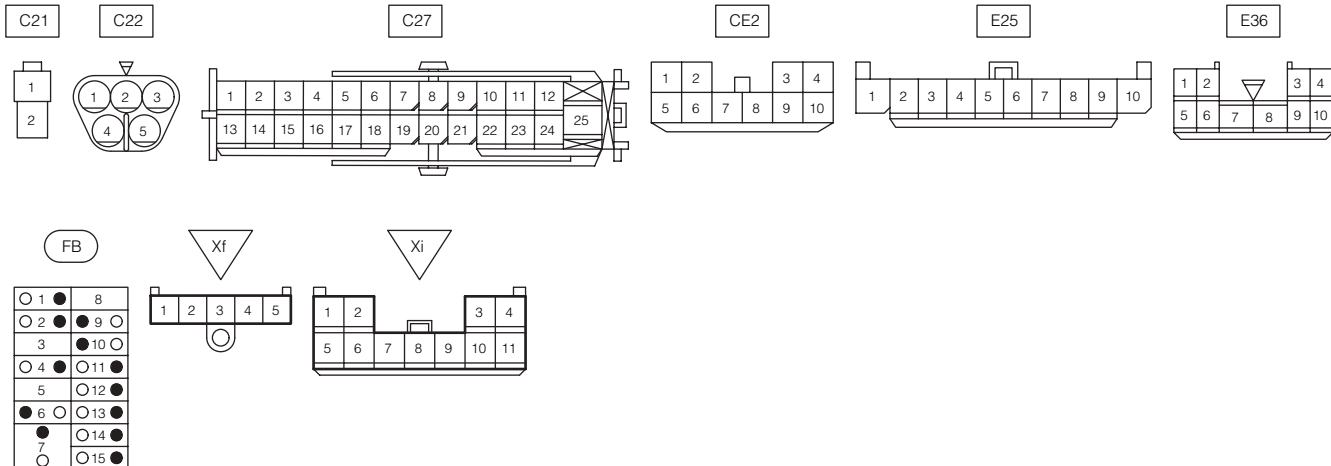
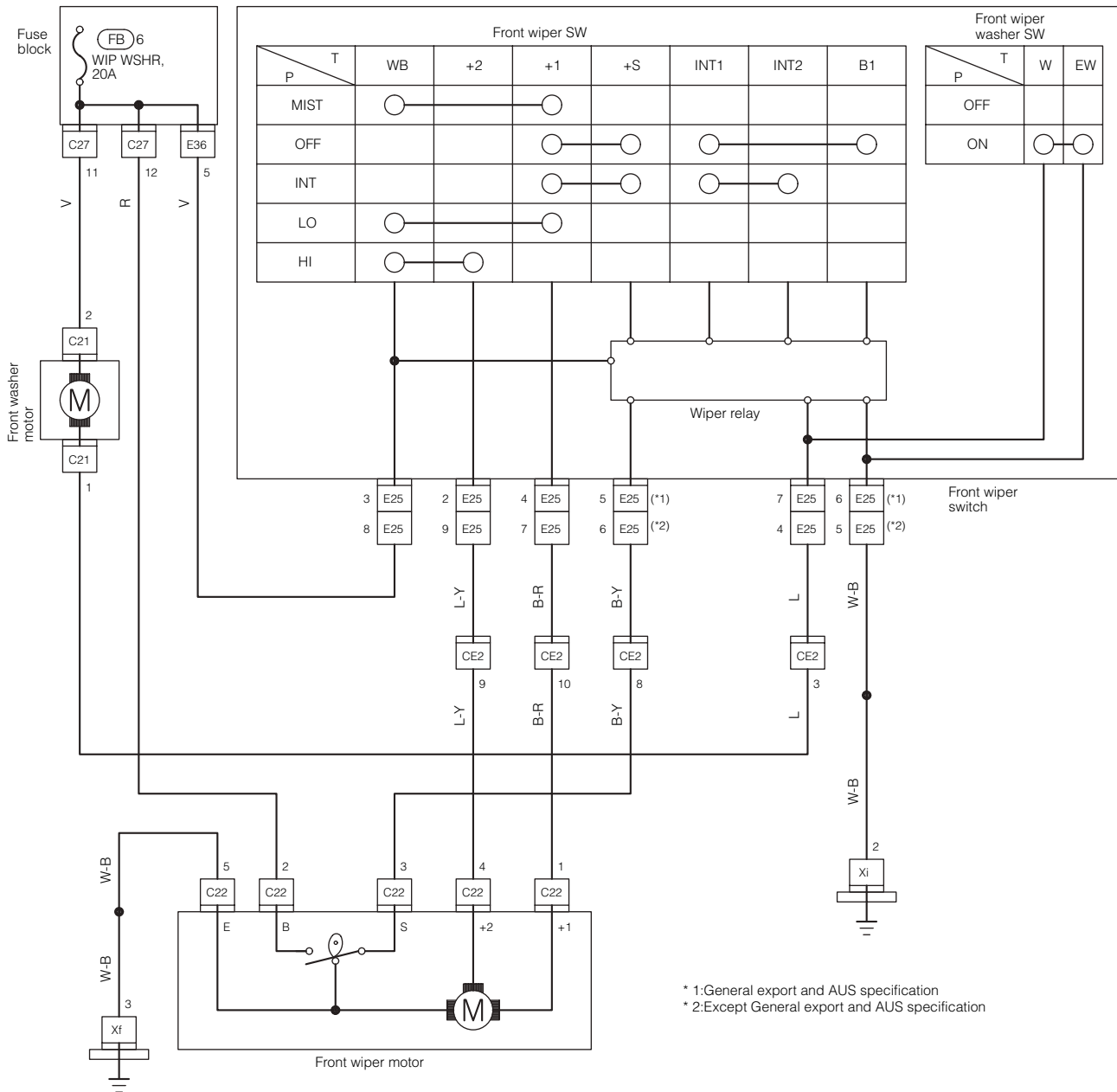




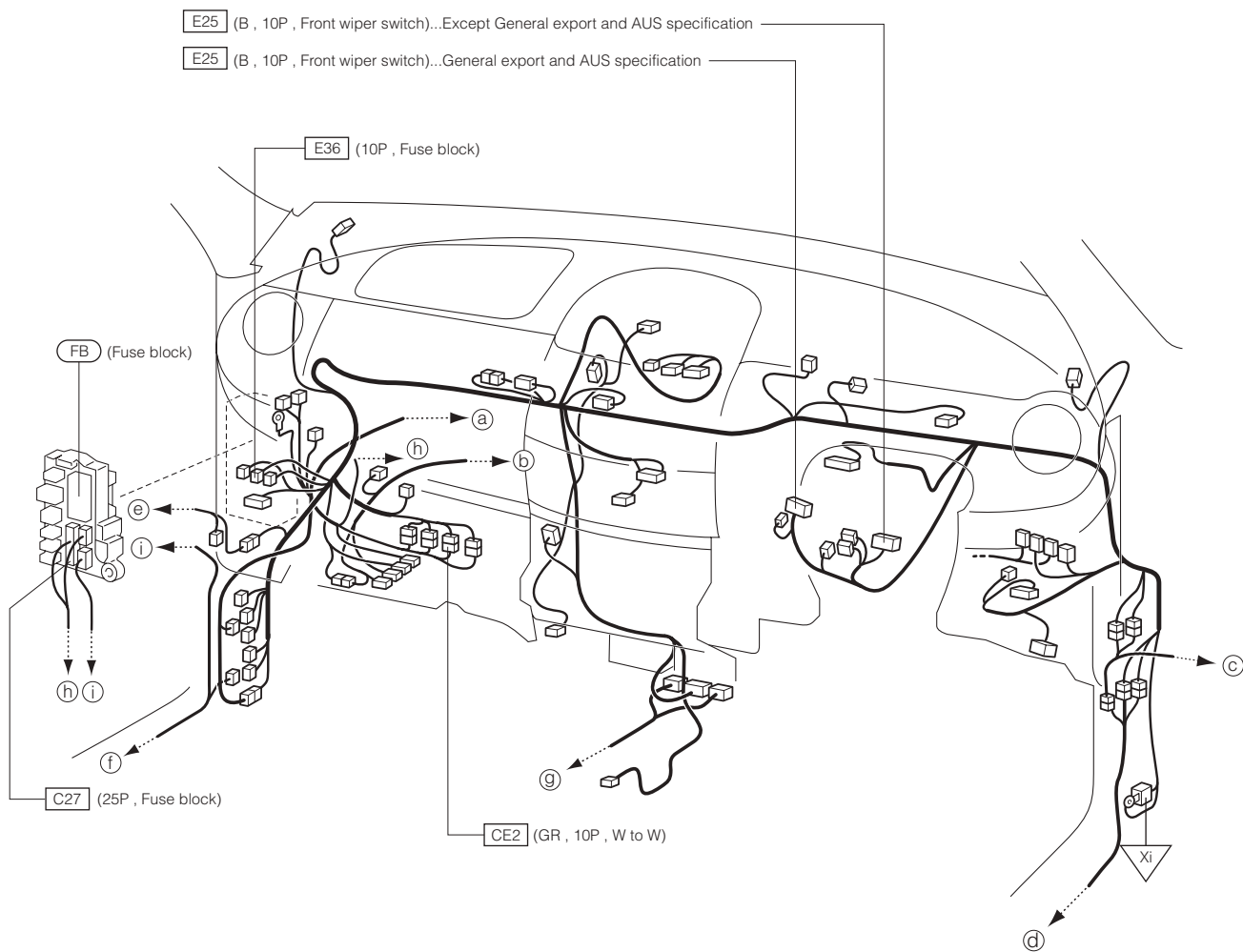




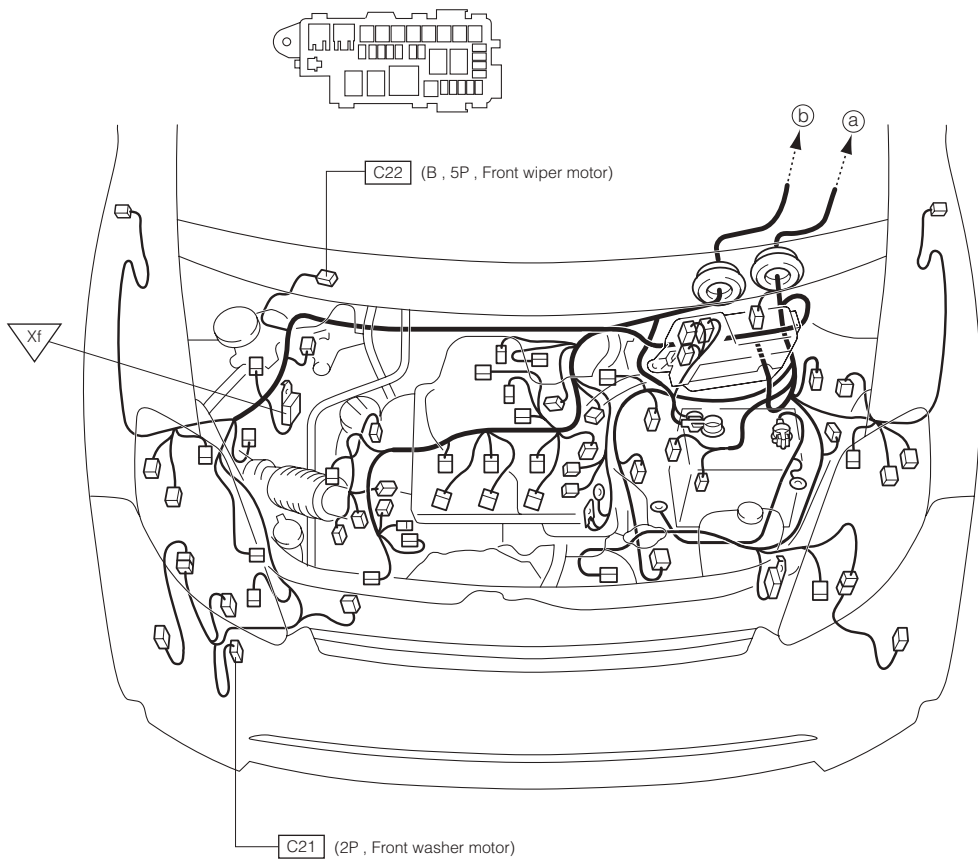
## 23 FRONT WIPER & WASHER 23-1 RHD VEHICLE



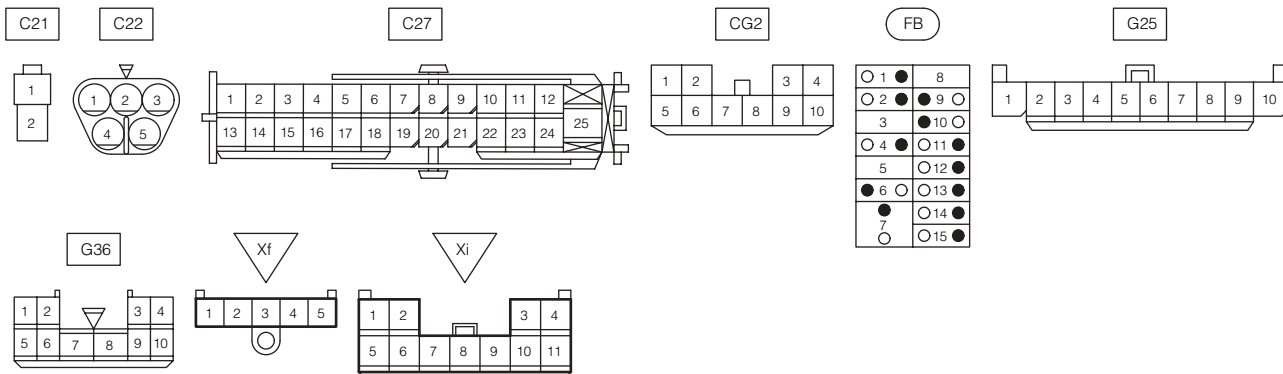
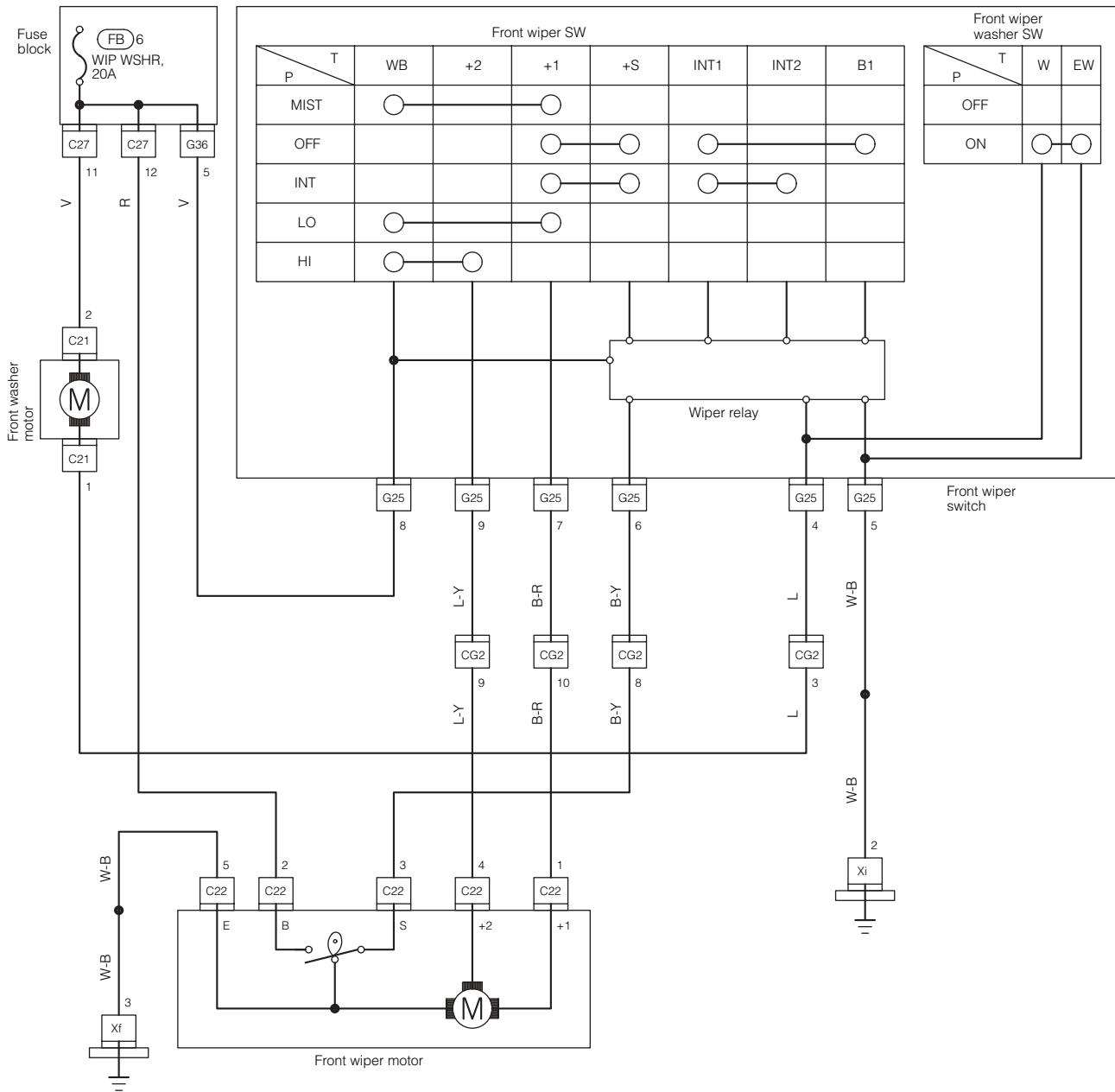
(MEMO)



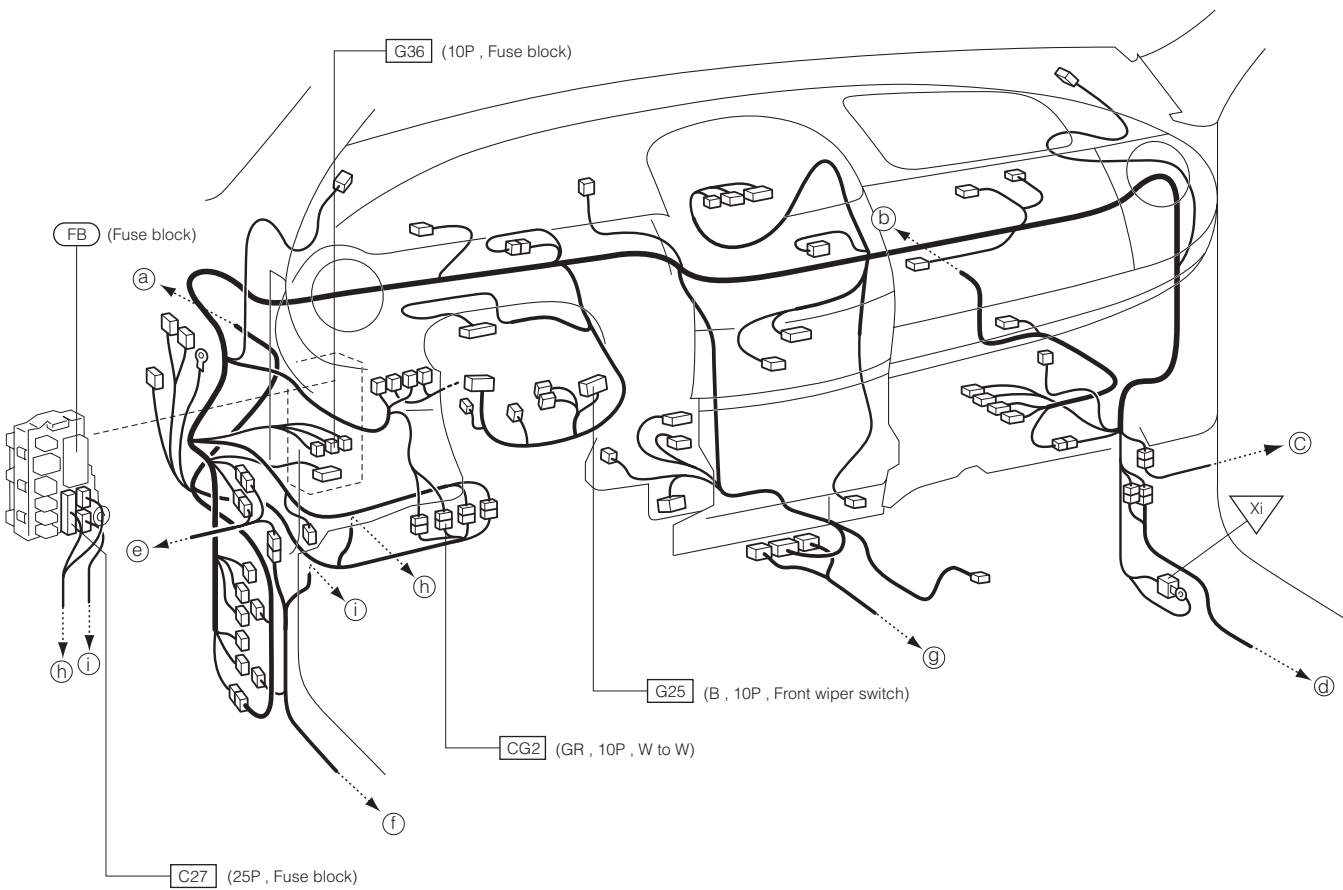


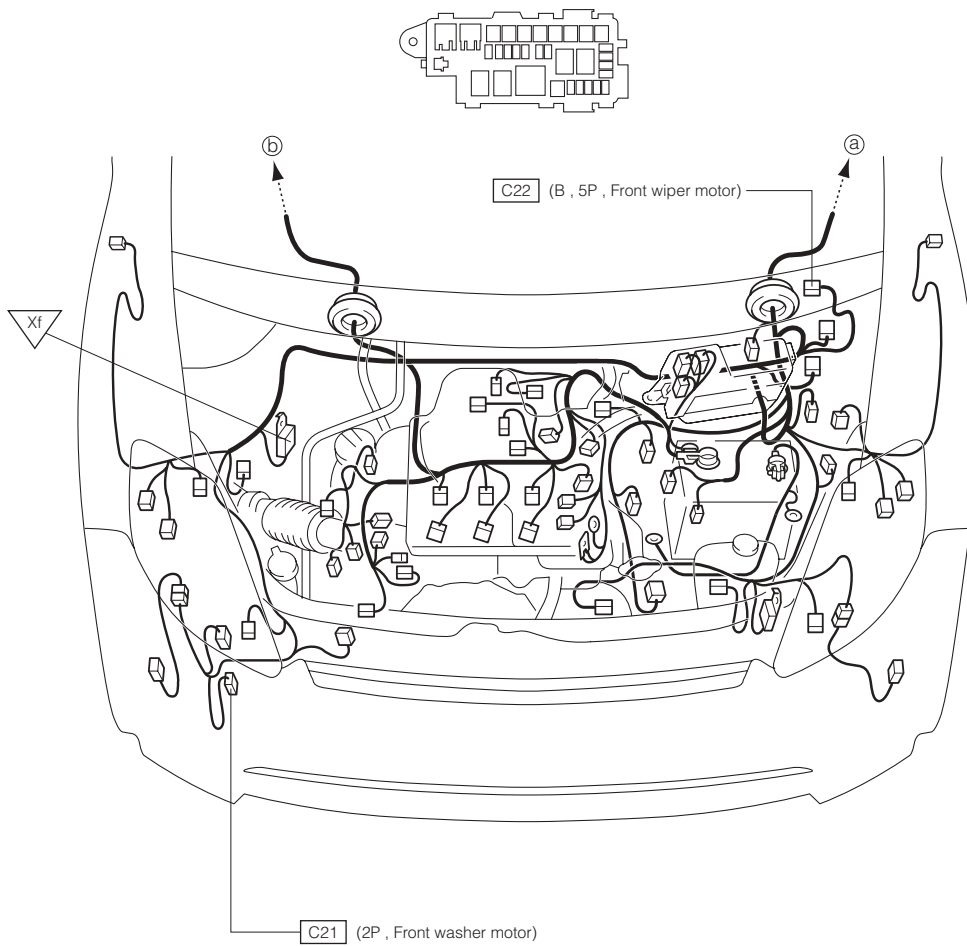


## 23-2 LHD VEHICLE

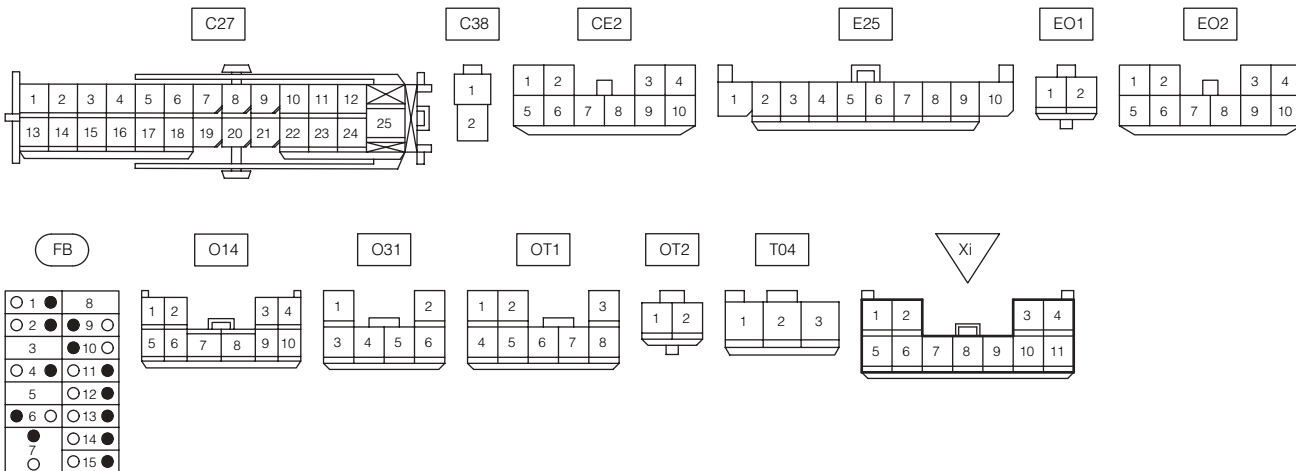
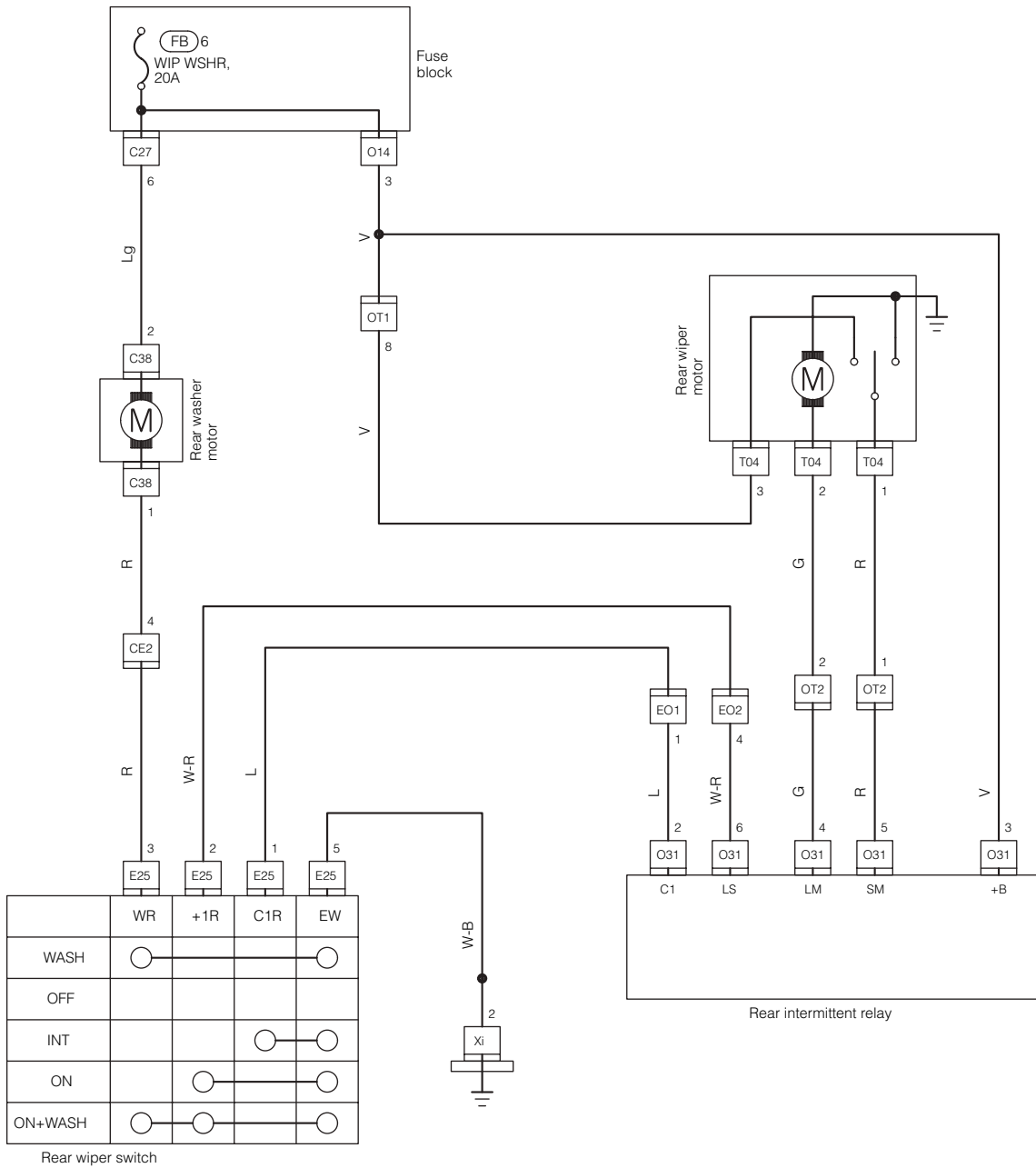


(MEMO)

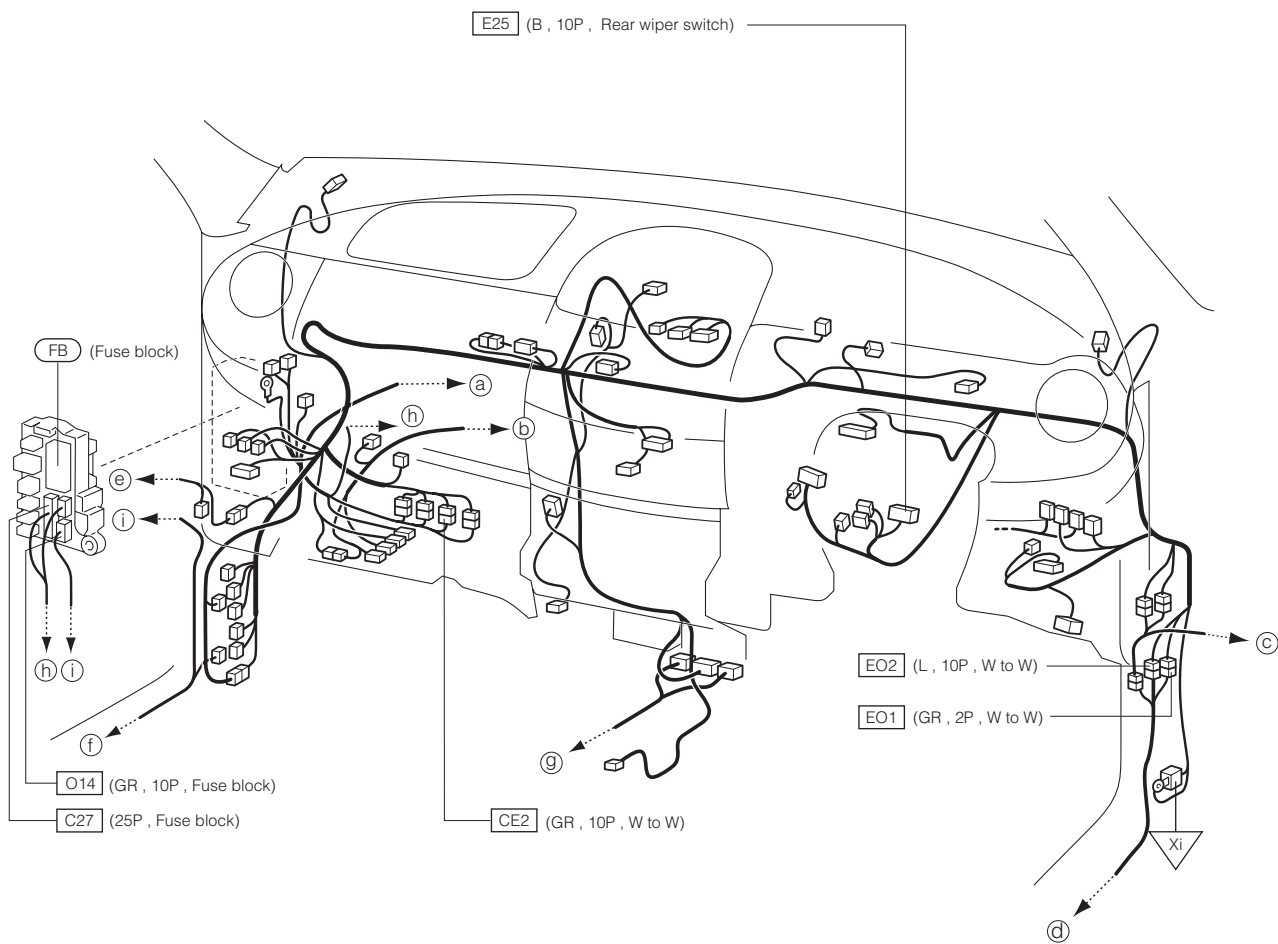




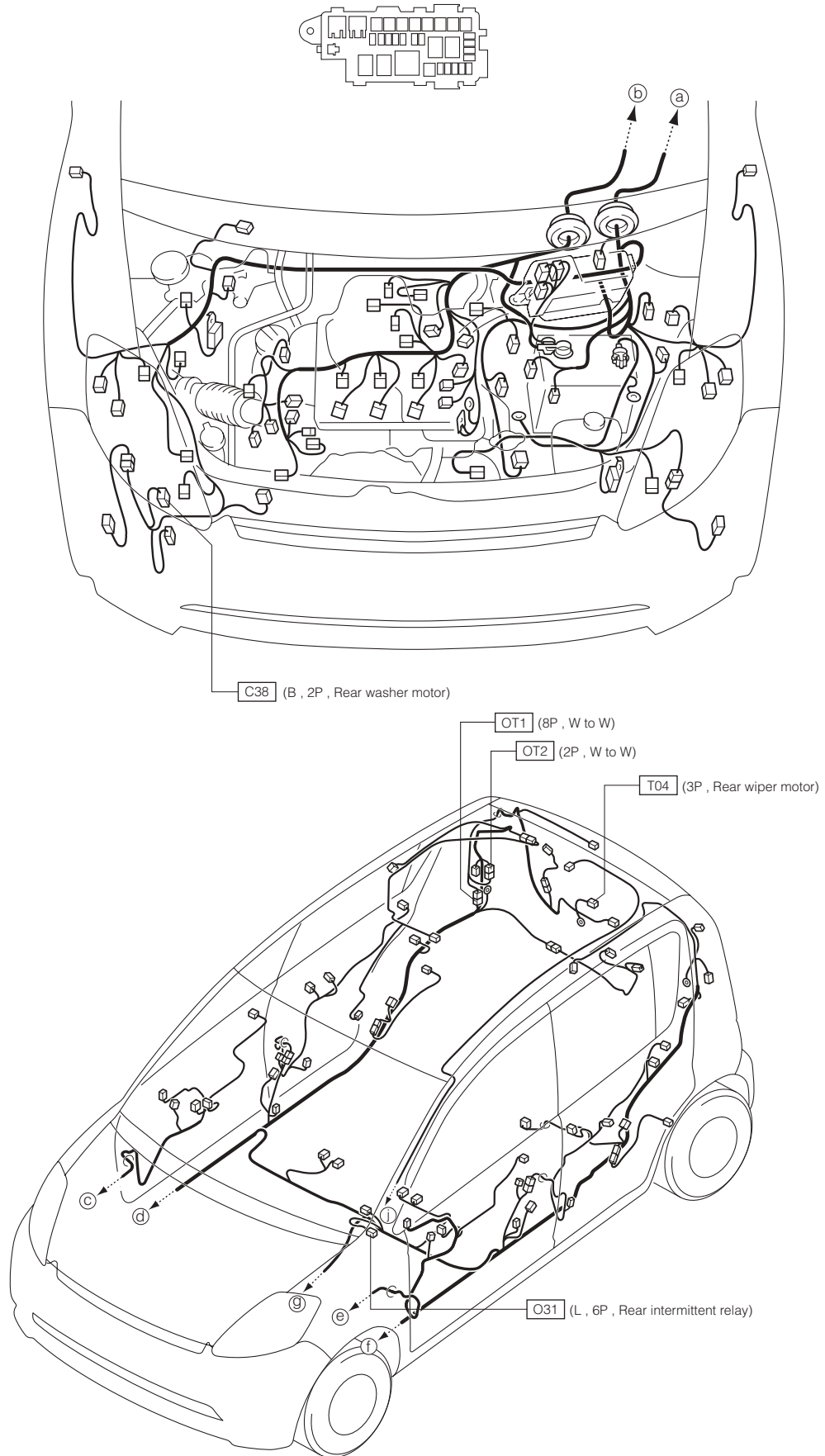
## 24 REAR WIPER & WASHER 24-1 RHD VEHICLE(WITH INT SYSTEM)



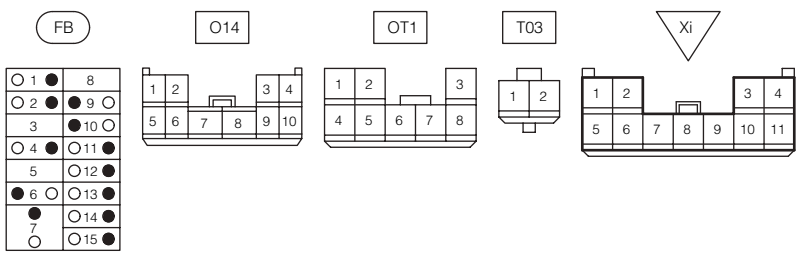
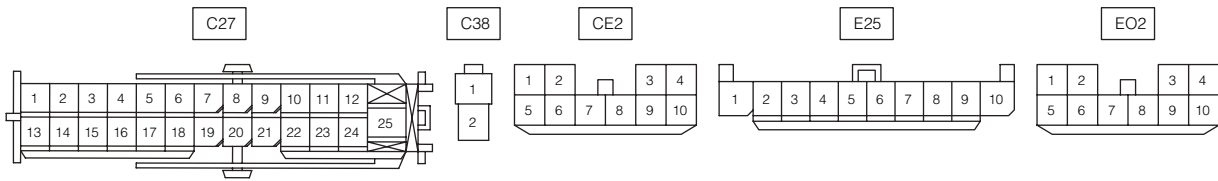
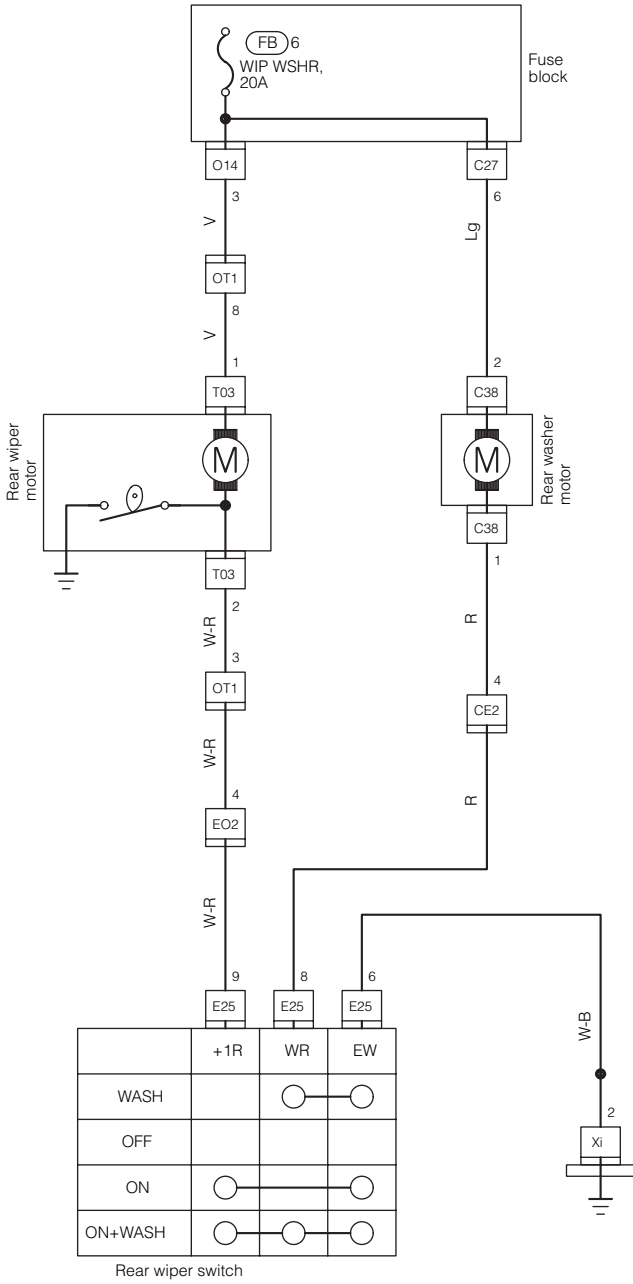
(MEMO)



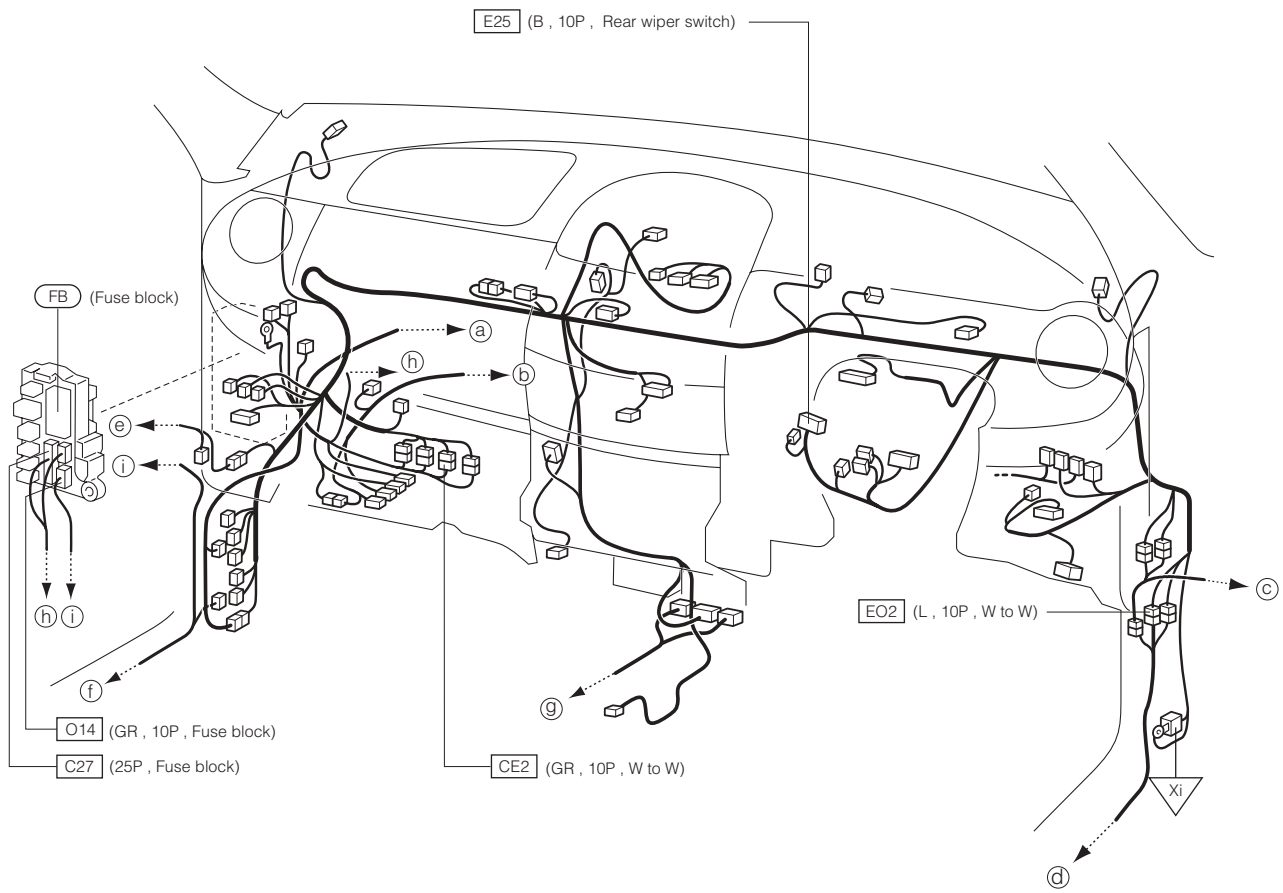


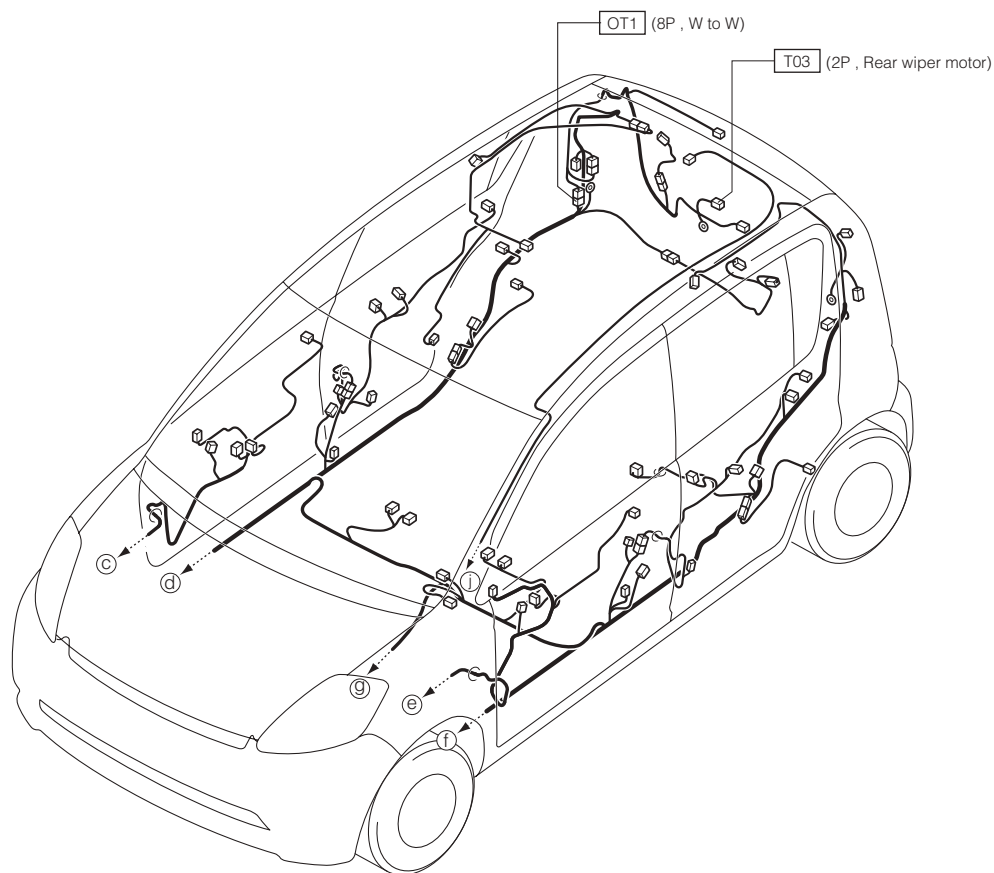
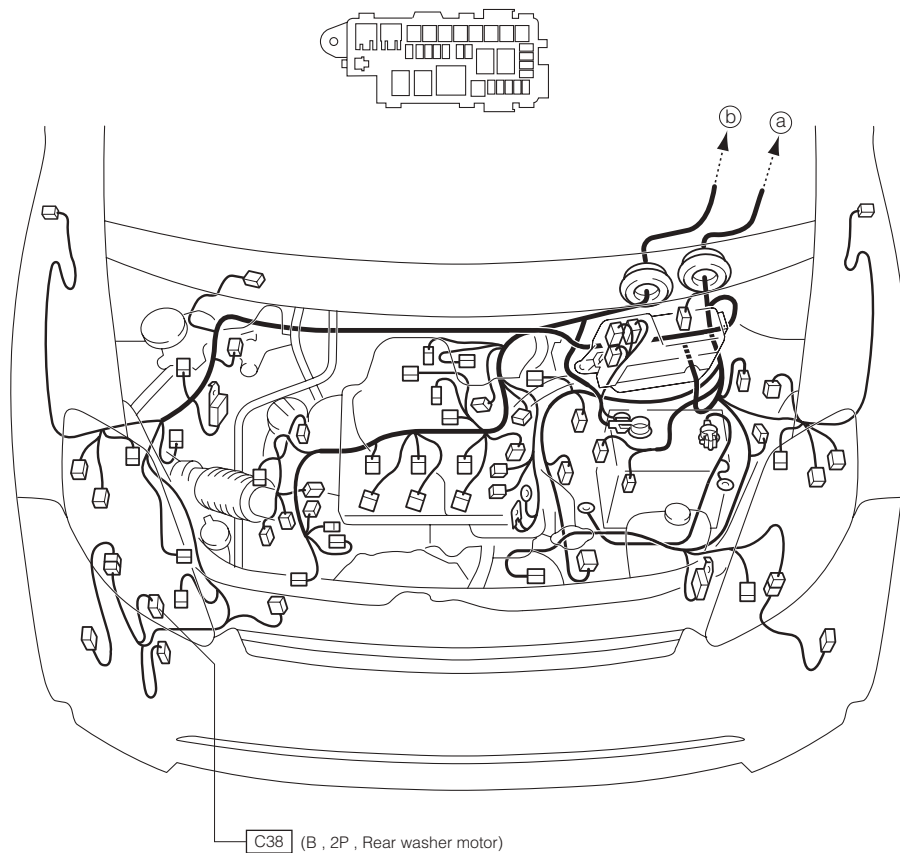


## 24-2 RHD VEHICLE(WITHOUT INT SYSTEM)

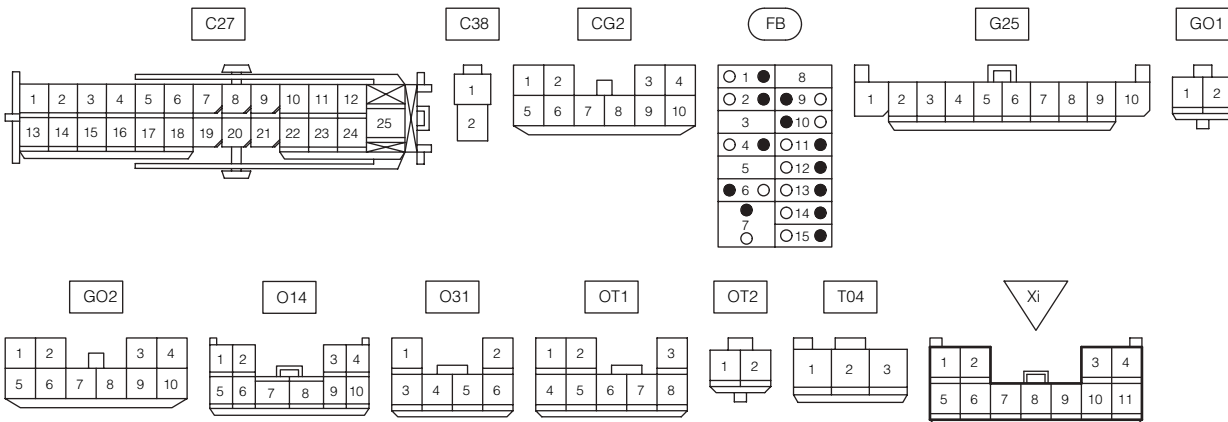
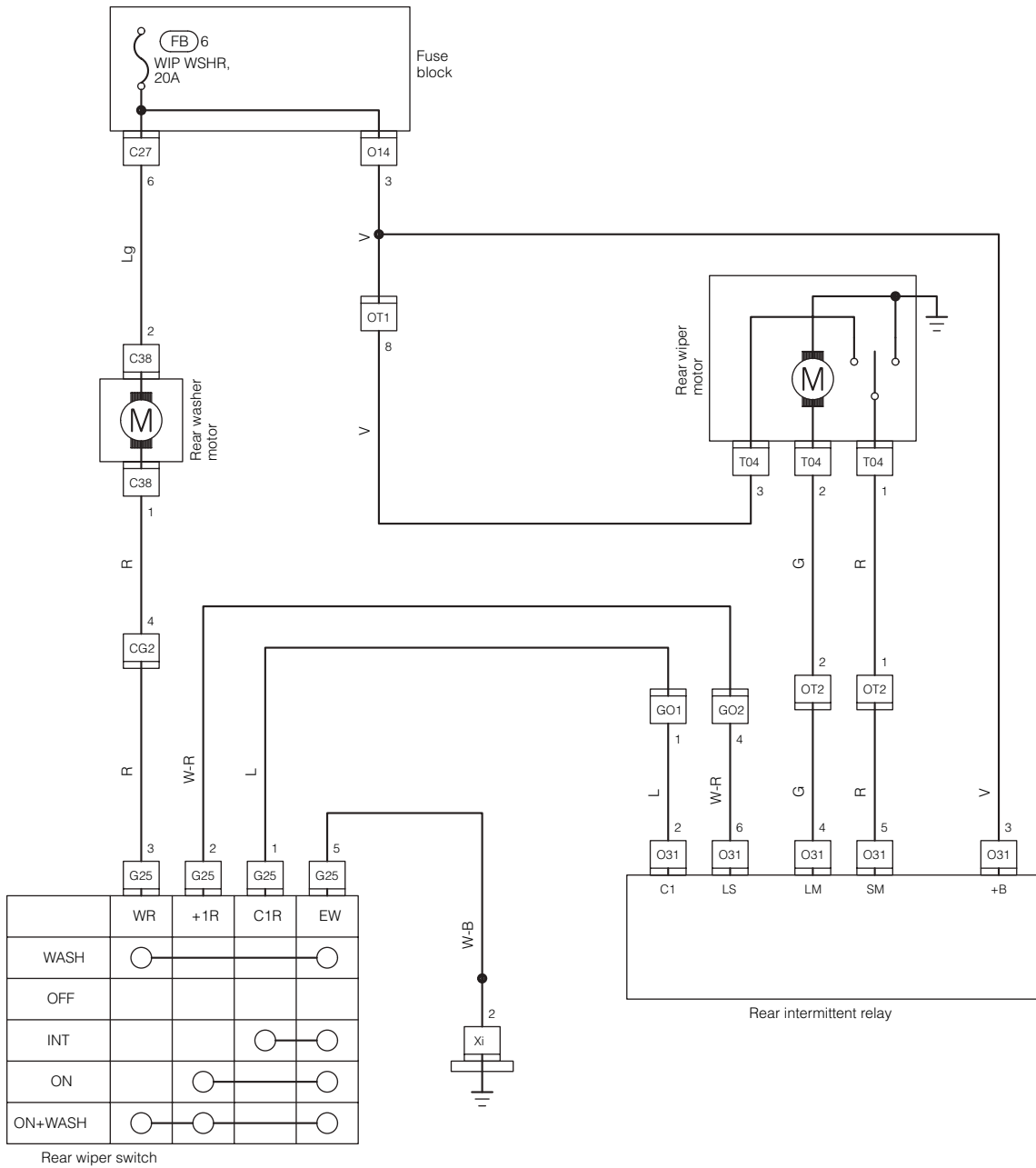


(MEMO)

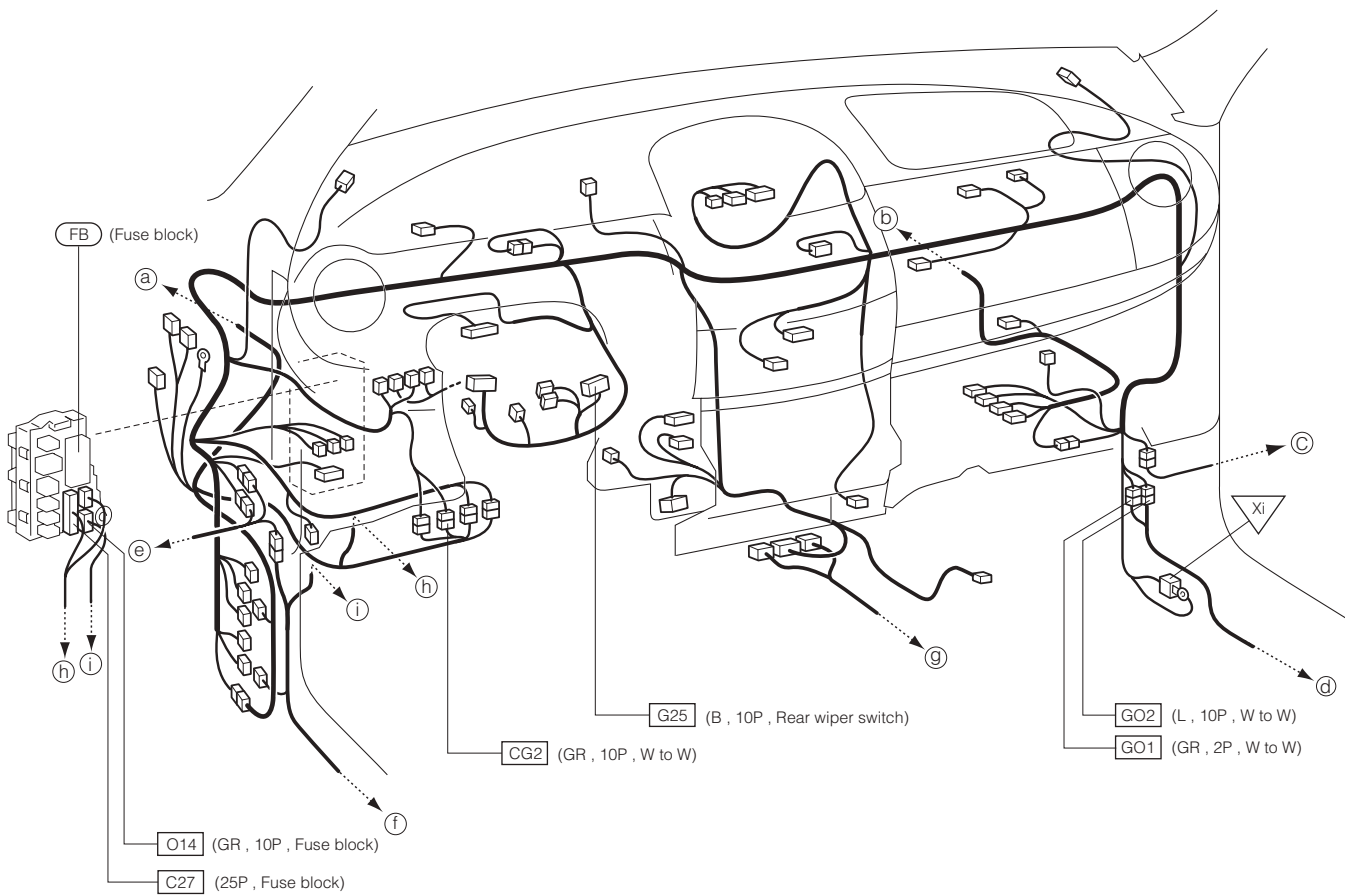




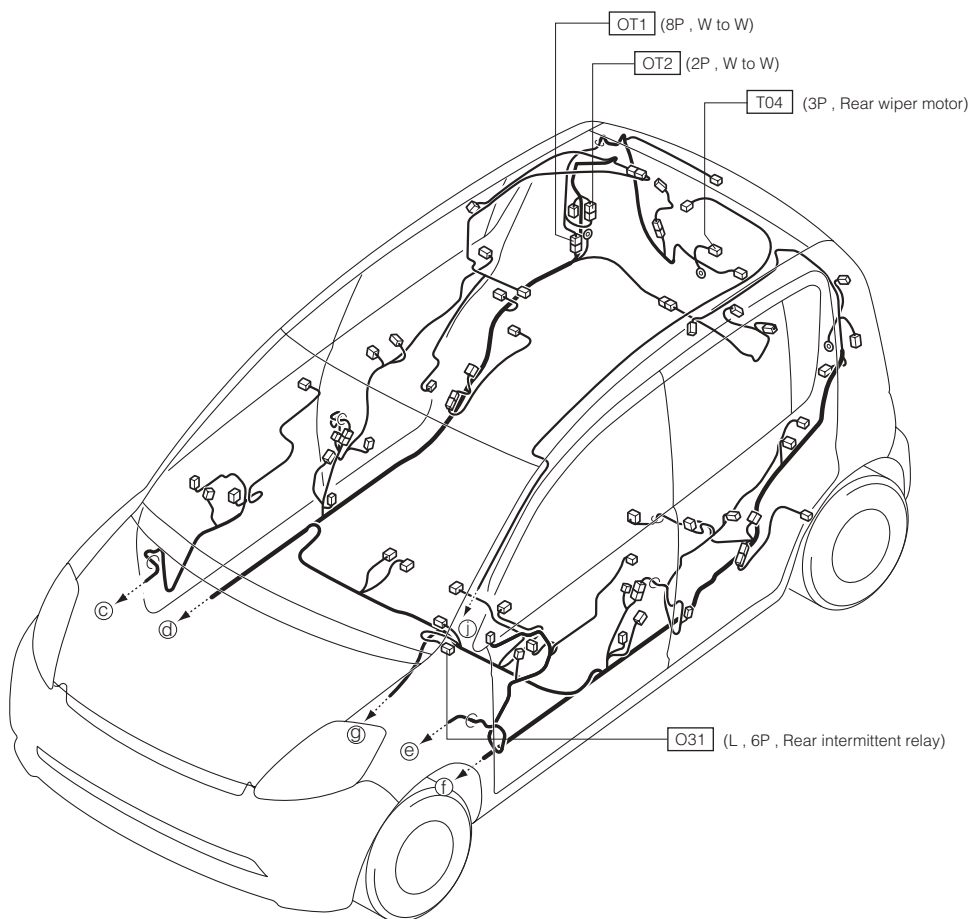
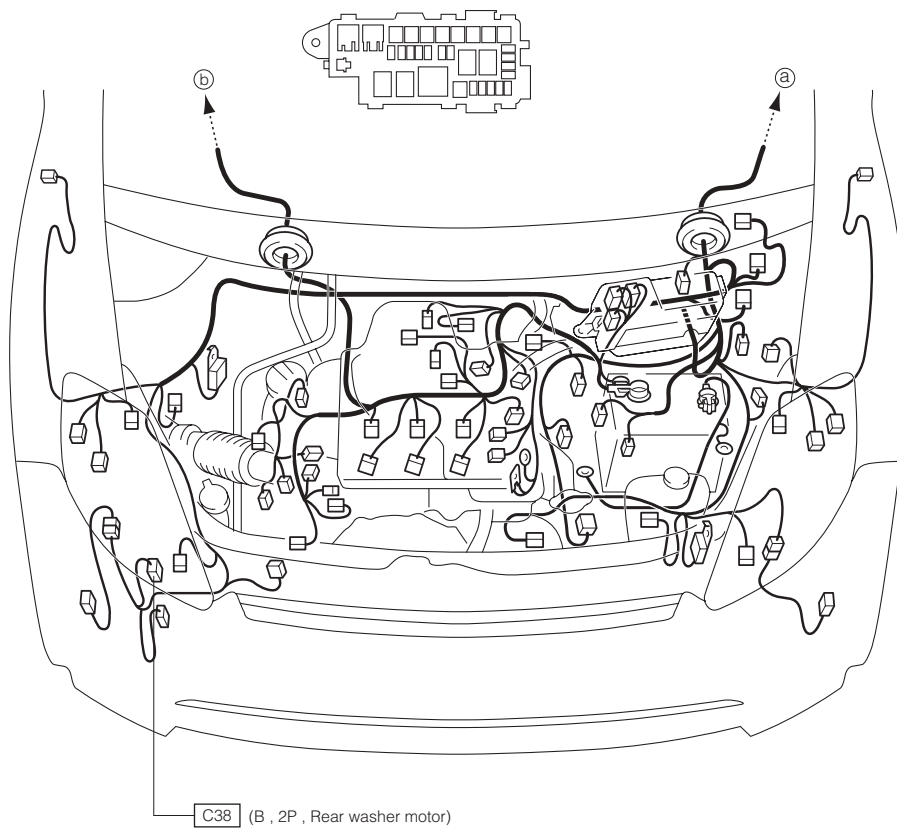
## 24-3 LHD VEHICLE (WITH INT SYSTEM)



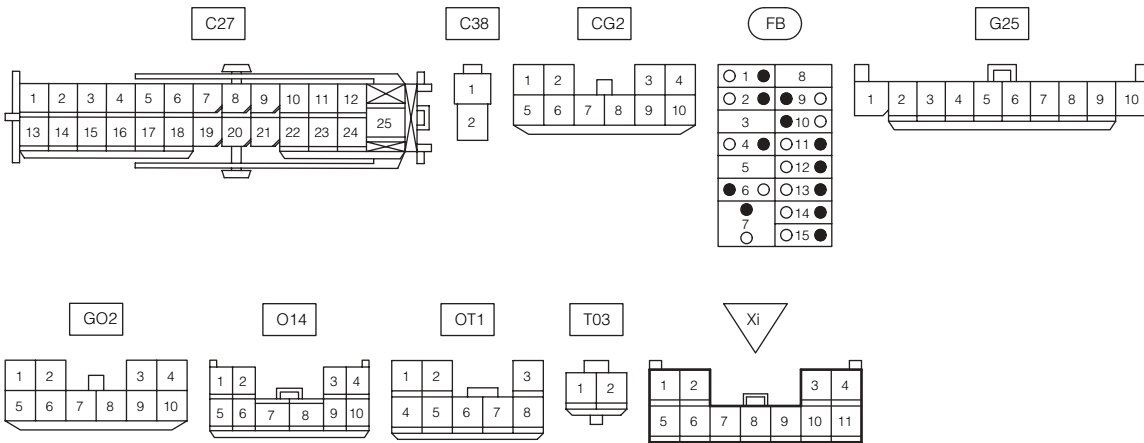
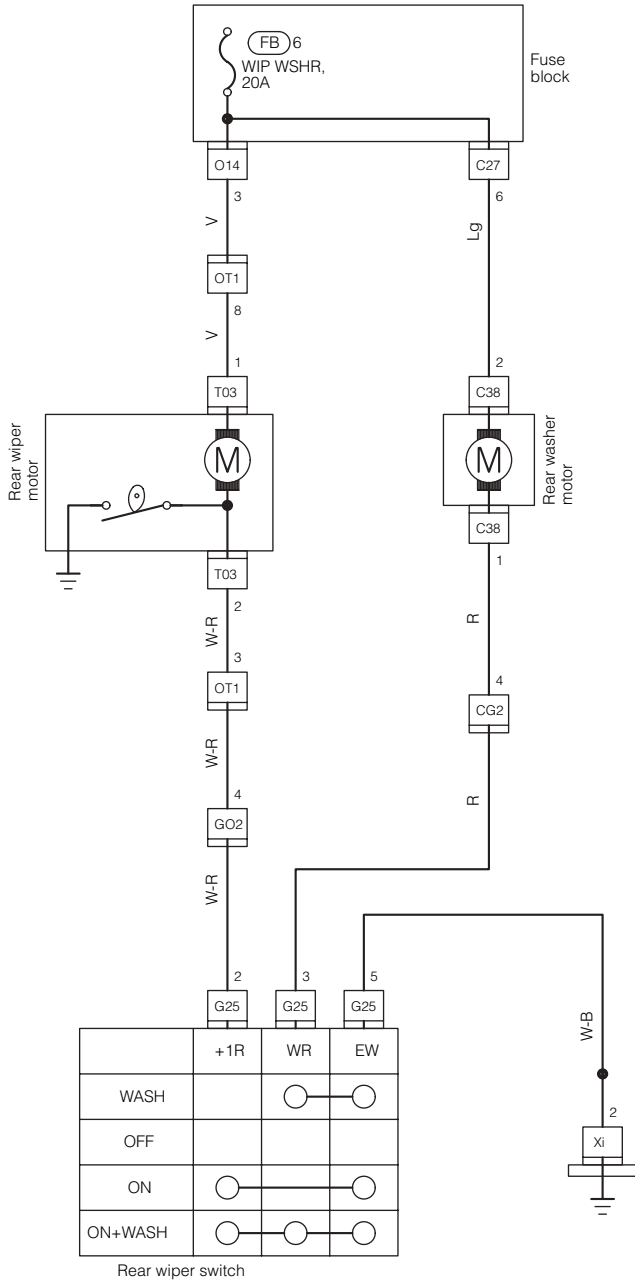
(MEMO)



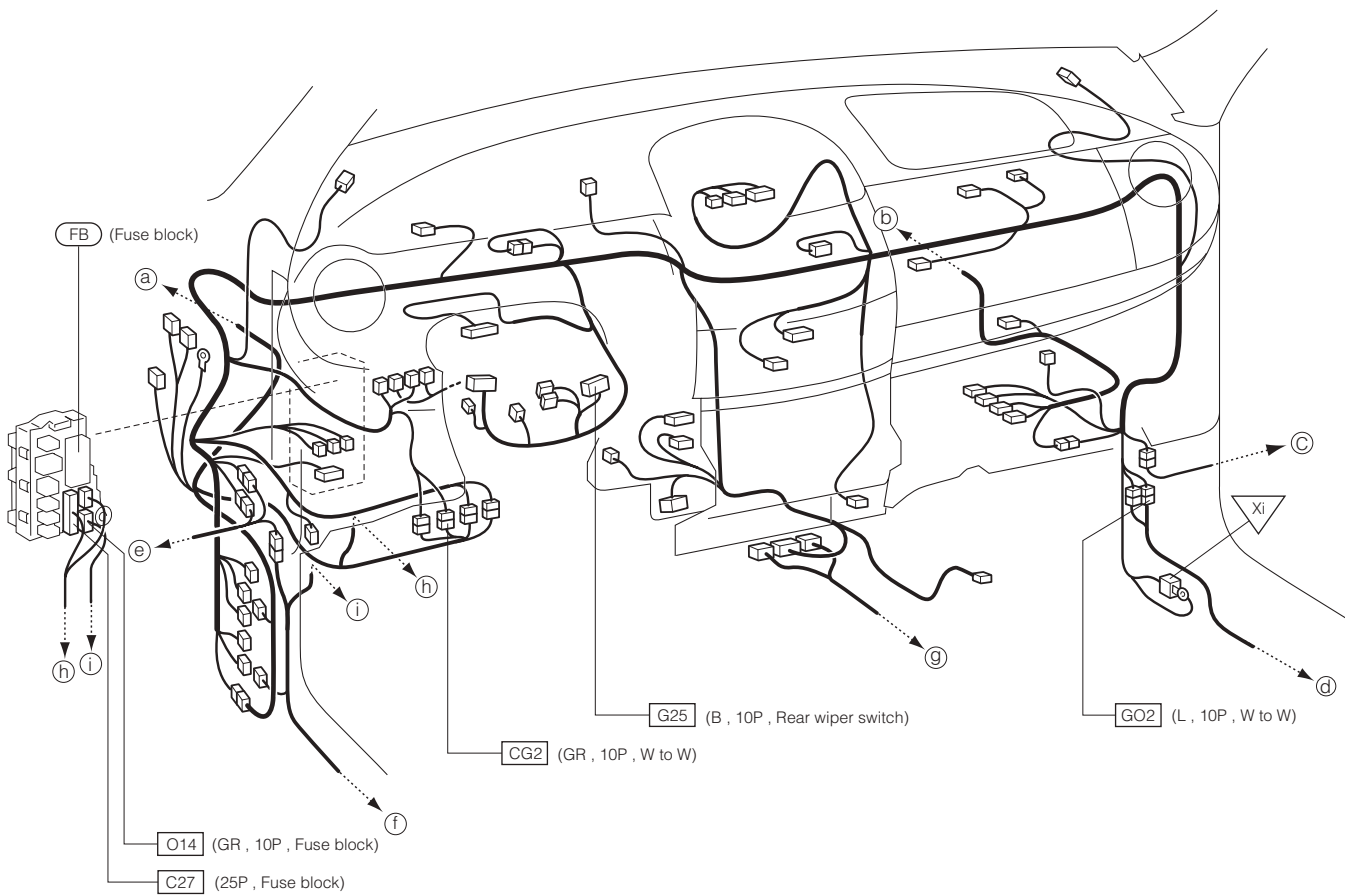


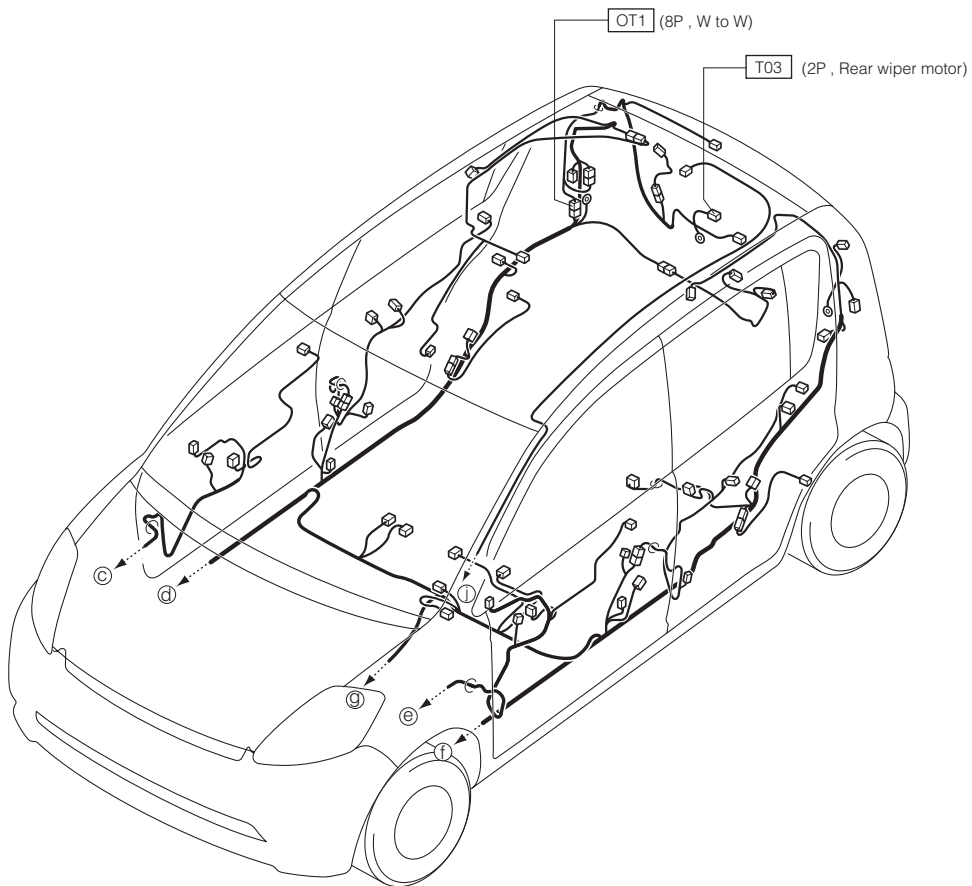
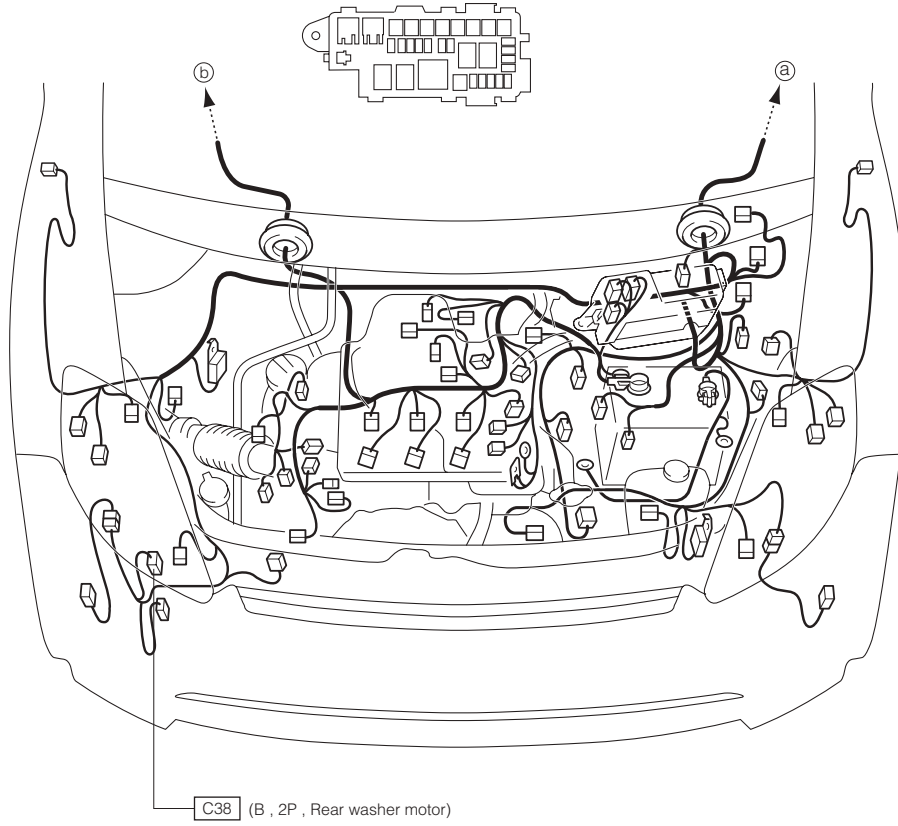


## 24-4 LHD VEHICLE(WITHOUT INT SYSTEM)



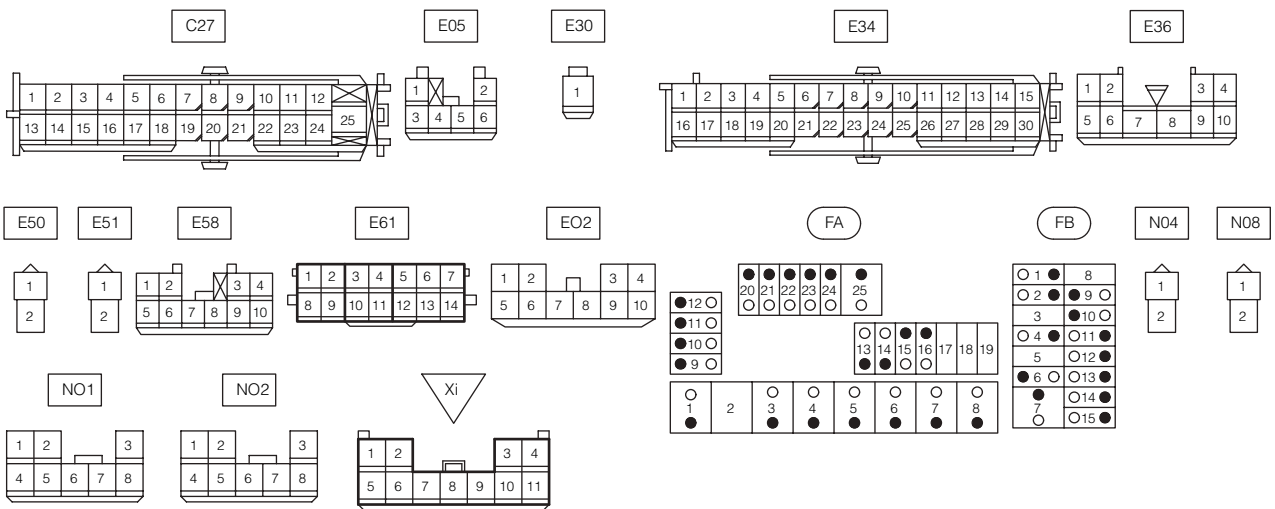
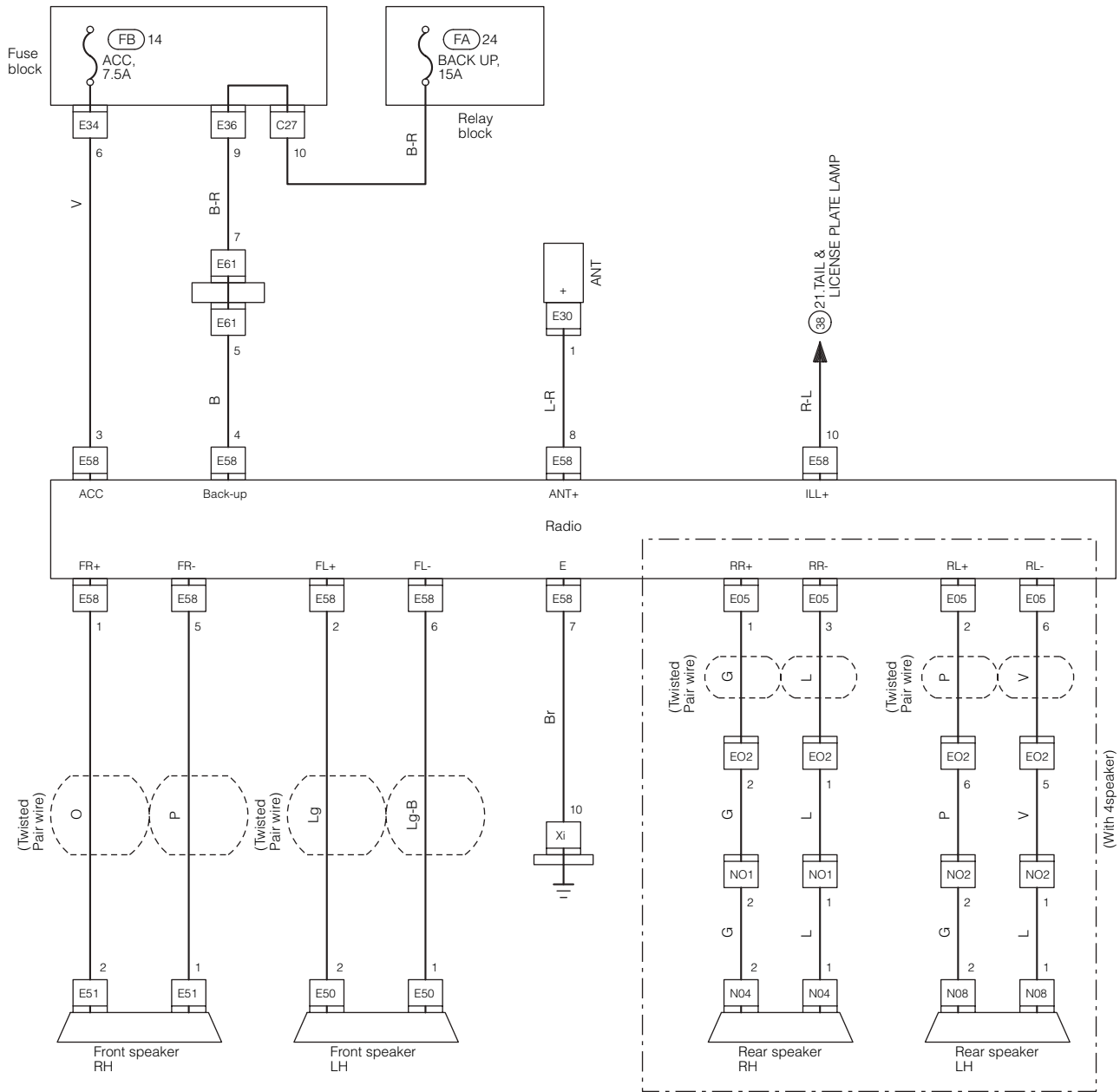
(MEMO)



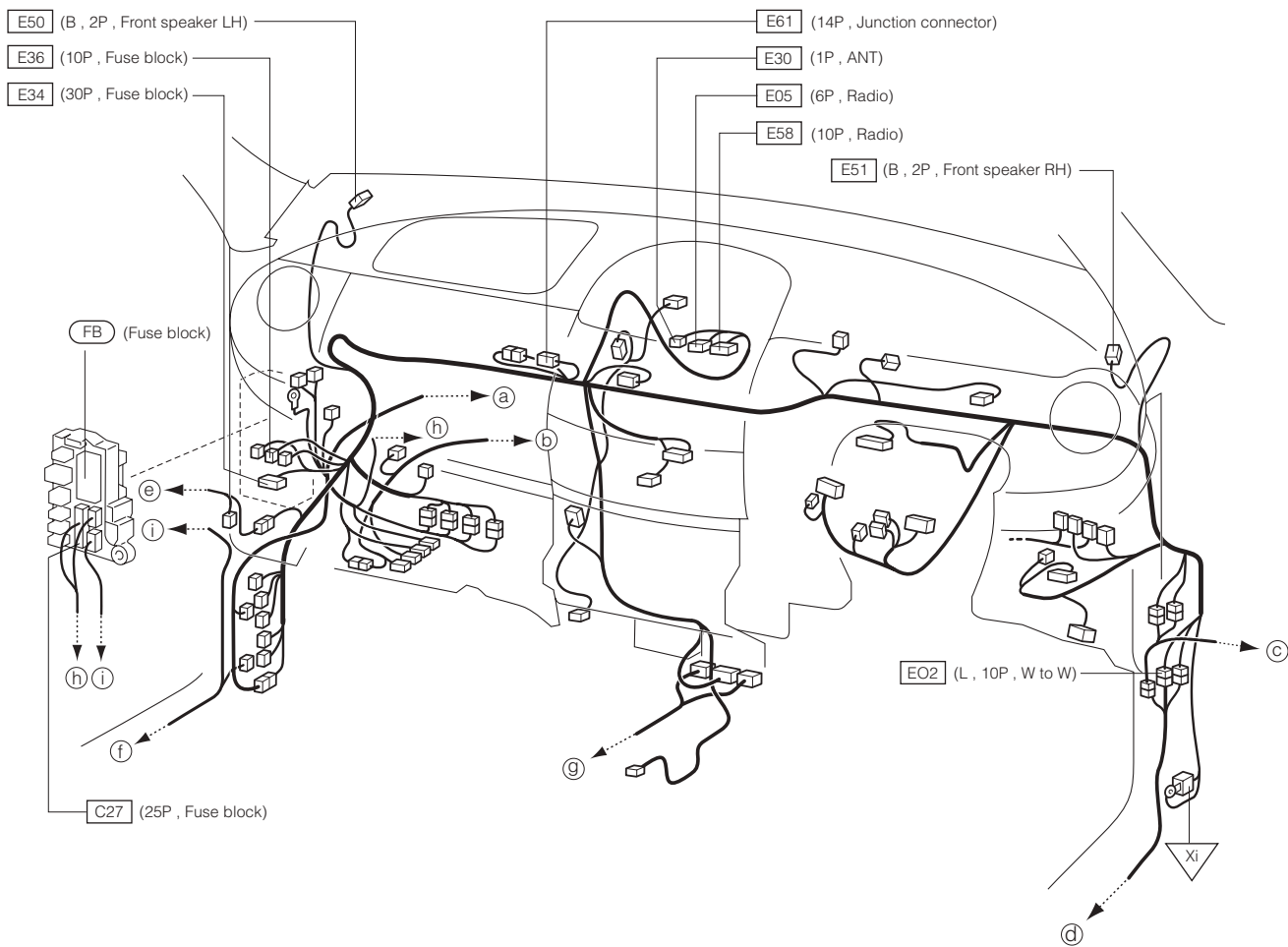


# D-221

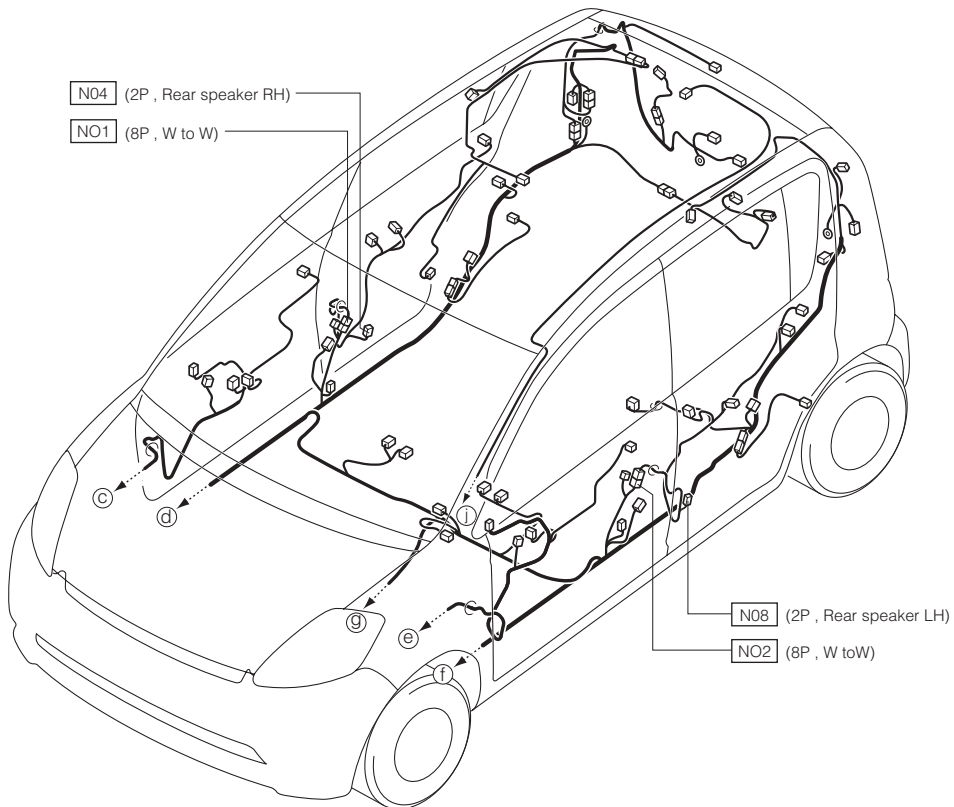
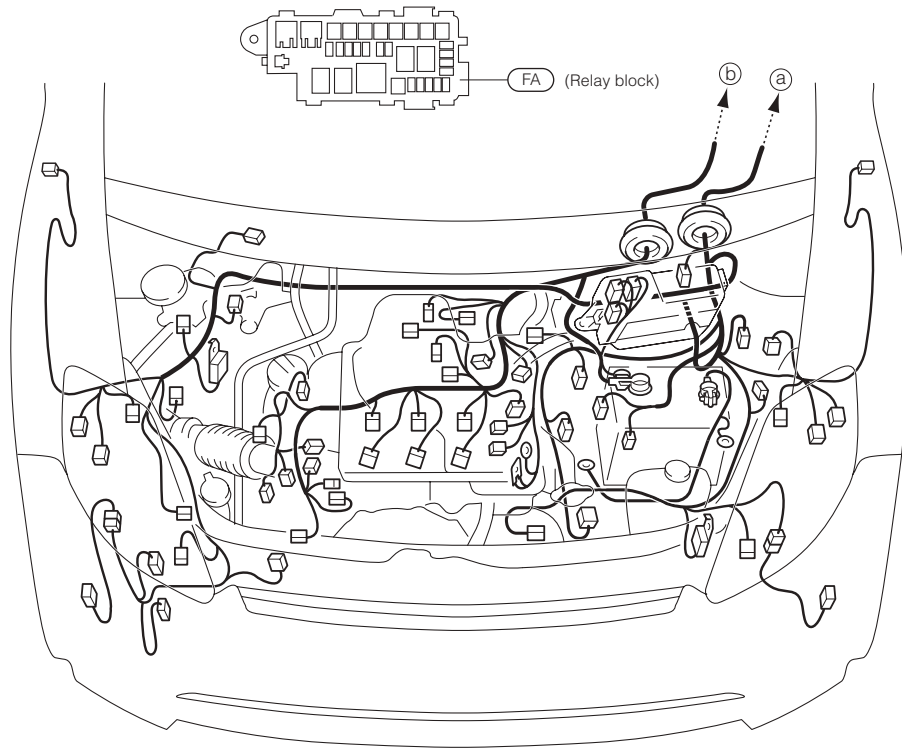
## 25 RADIO 25-1 RHD VEHICLE



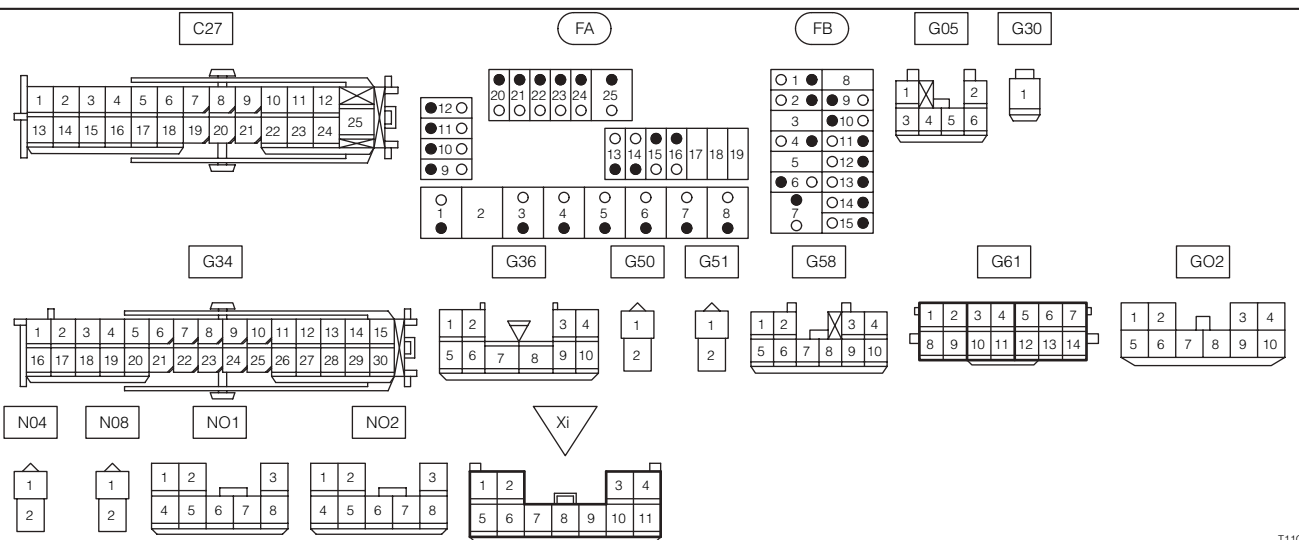
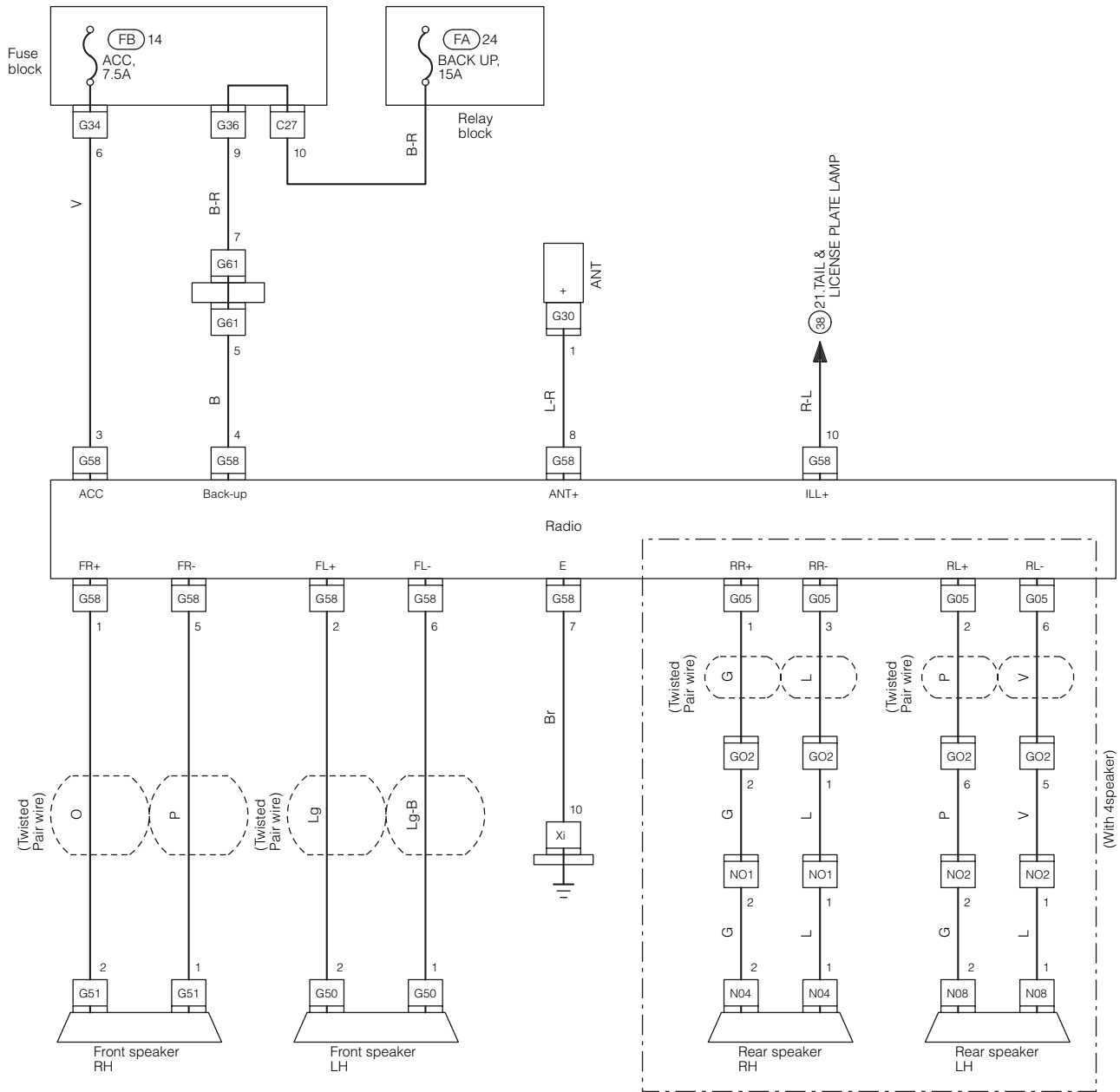
(MEMO)



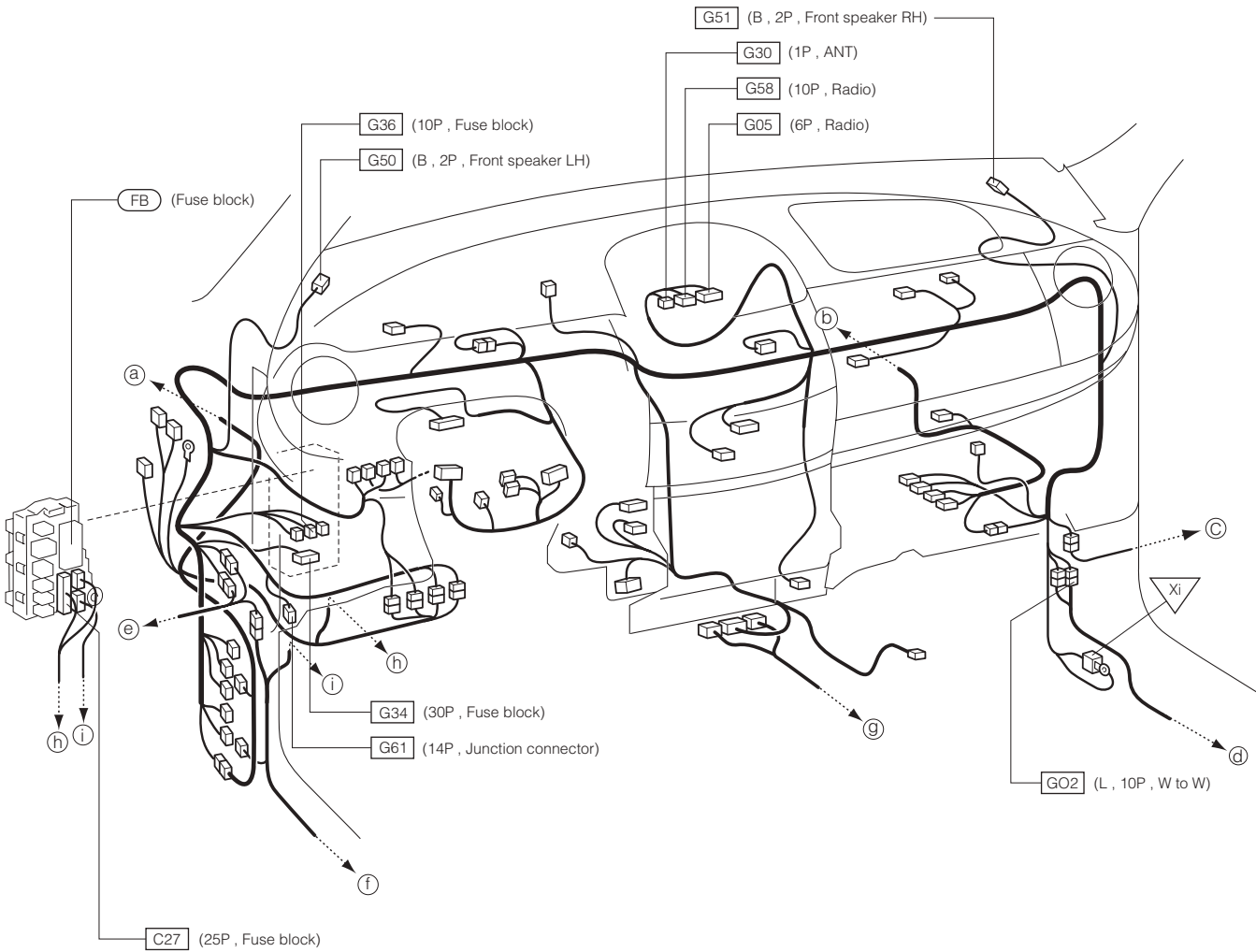


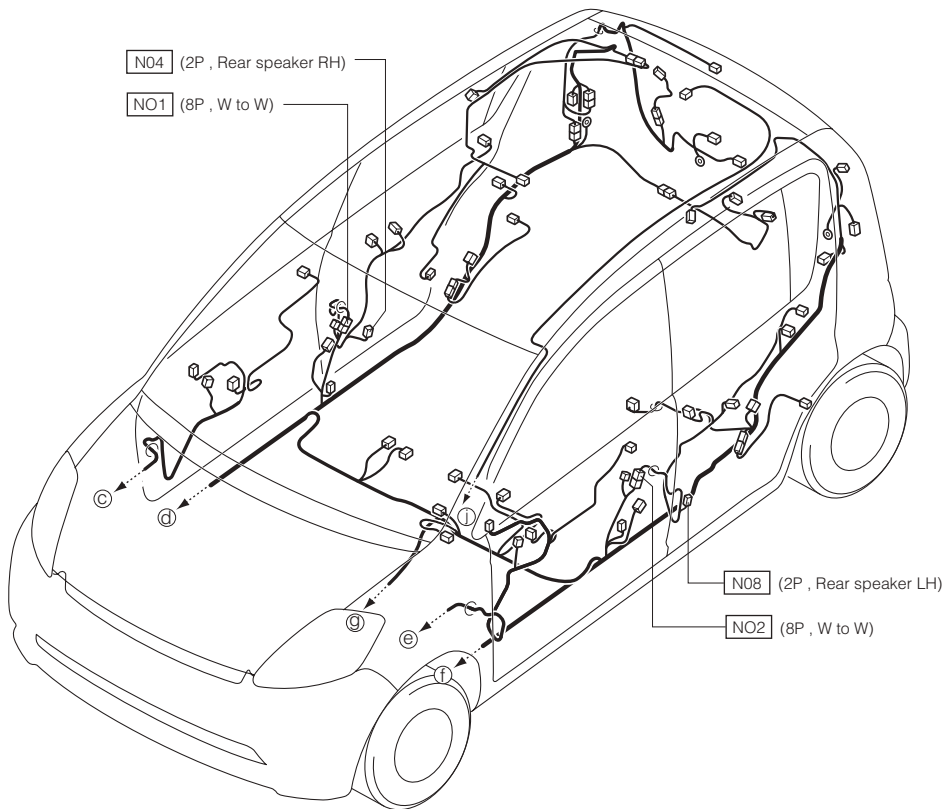
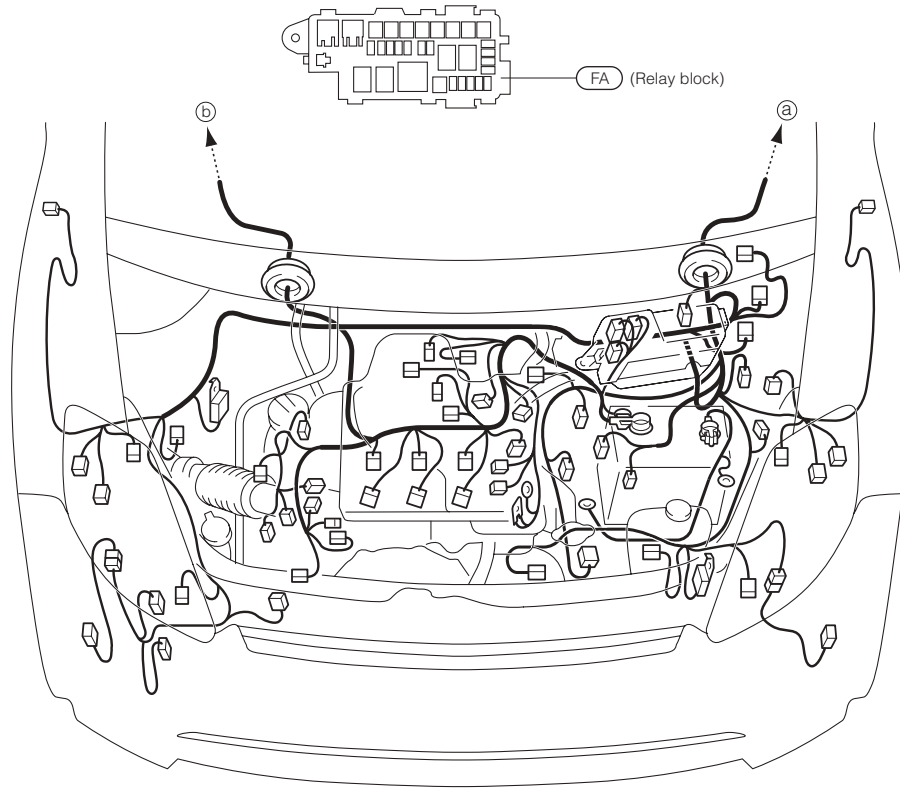


## 25-2 LHD VEHICLE



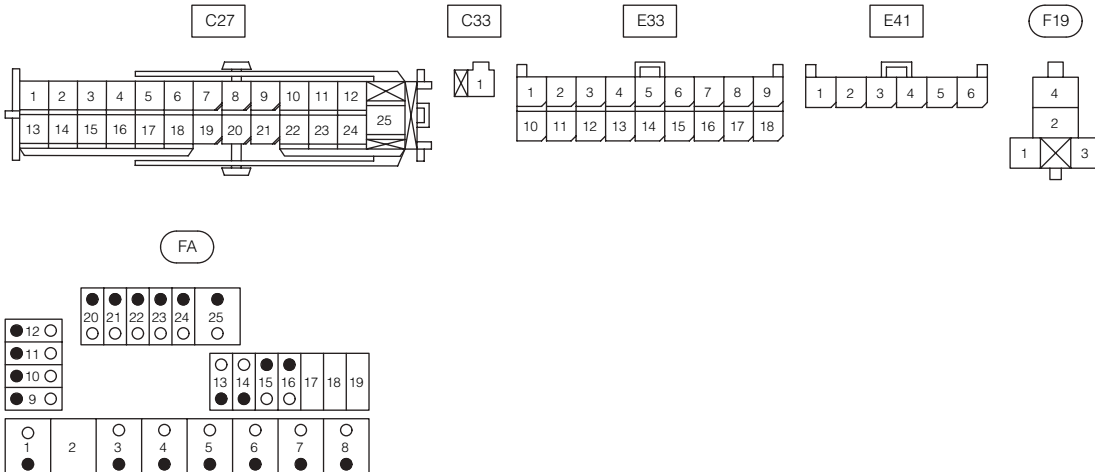
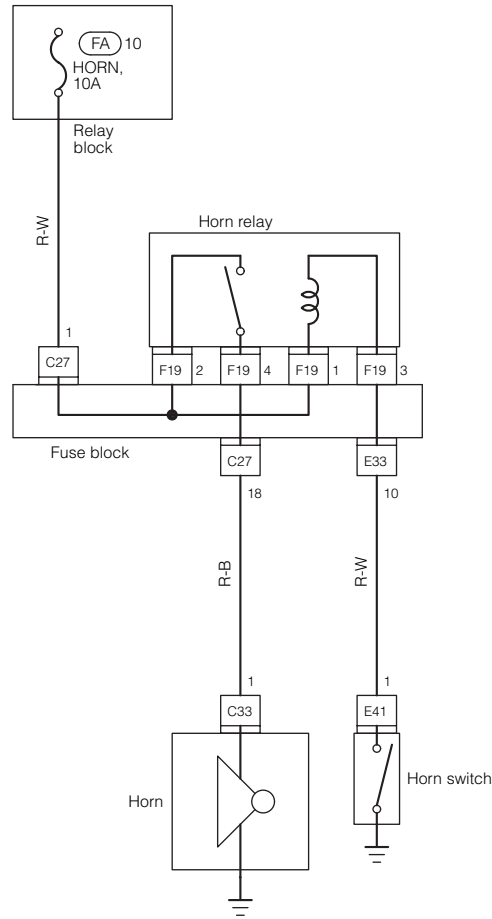
(MEMO)



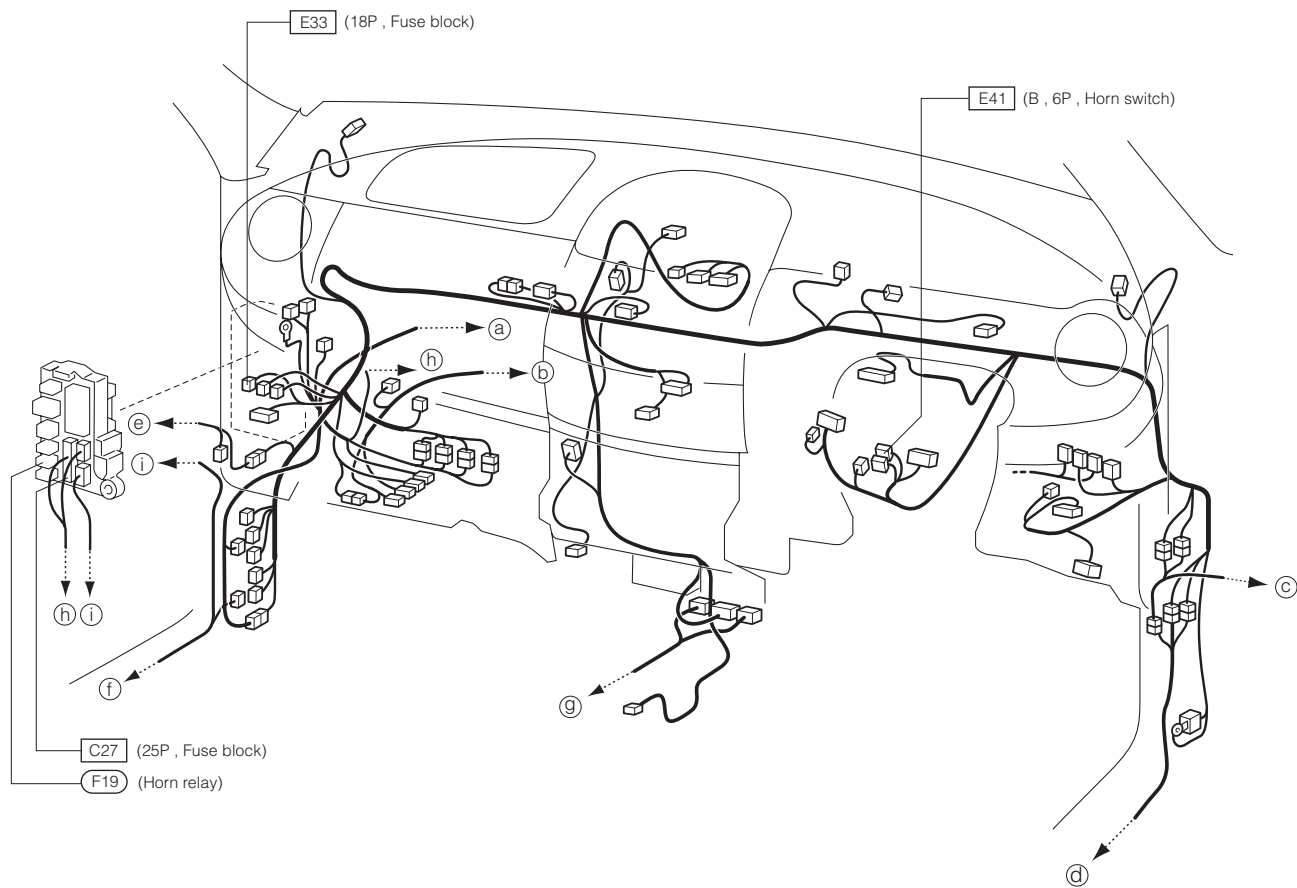


# D-229

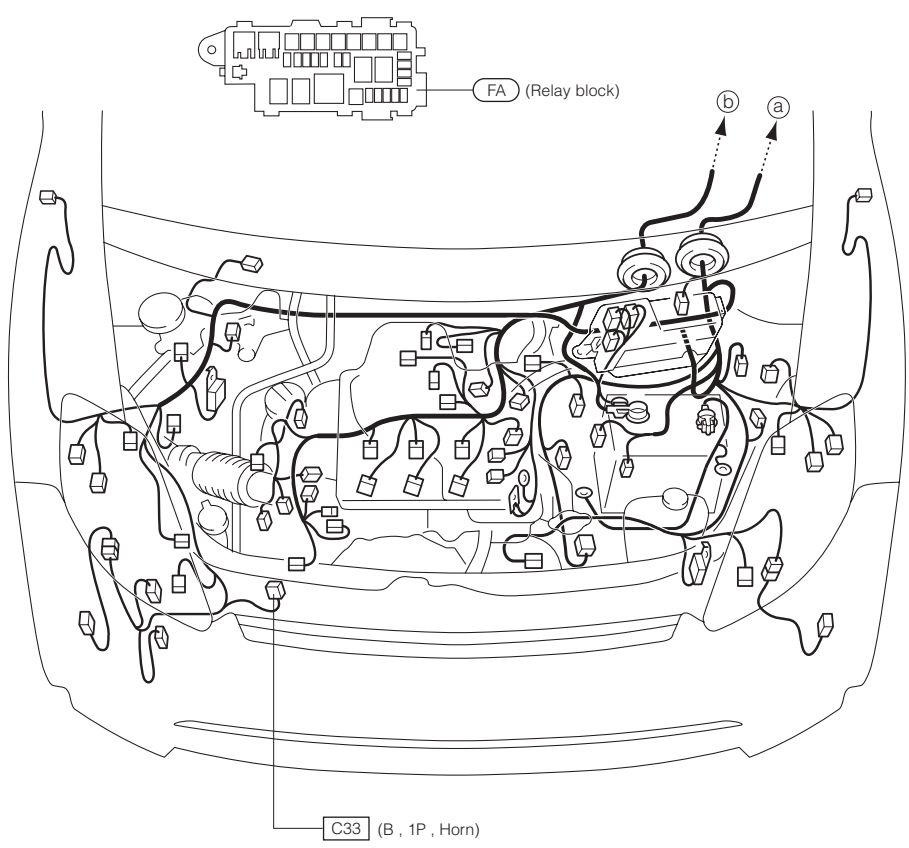
## 26 HORN 26-1 RHD VEHICLE



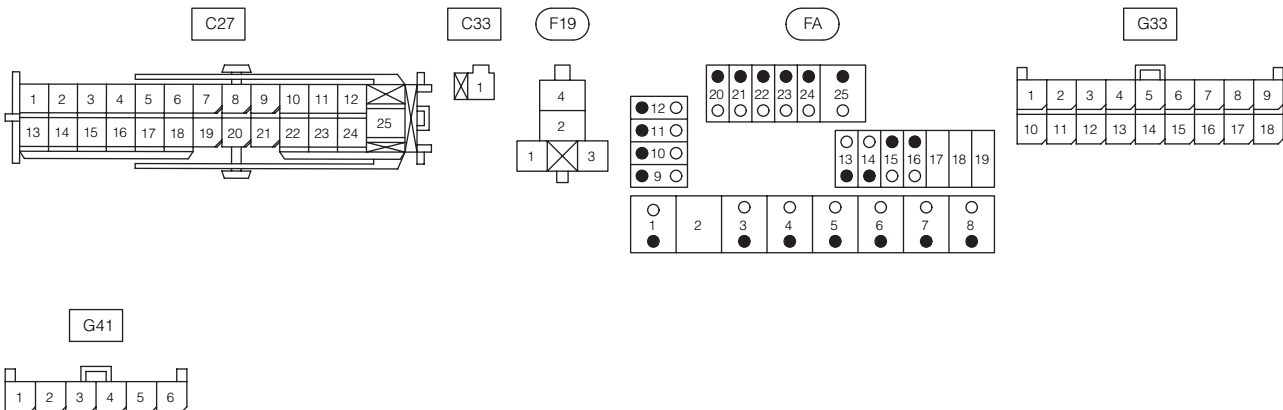
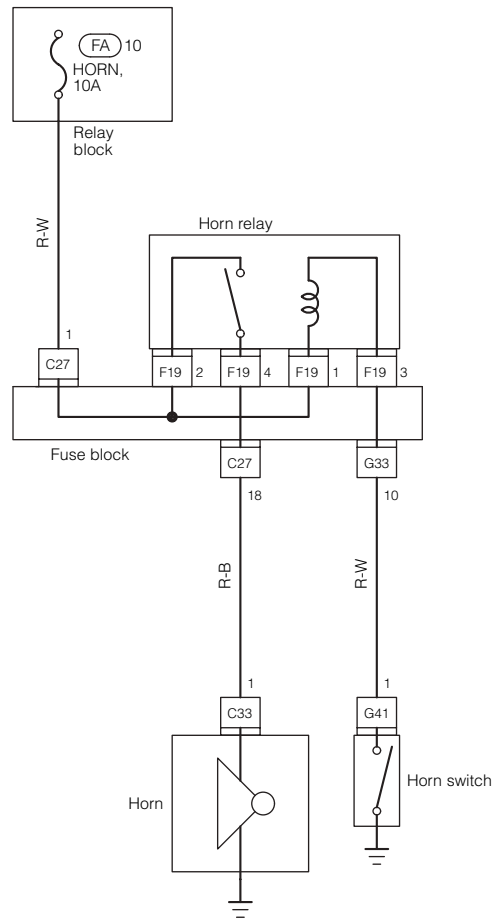
(MEMO)



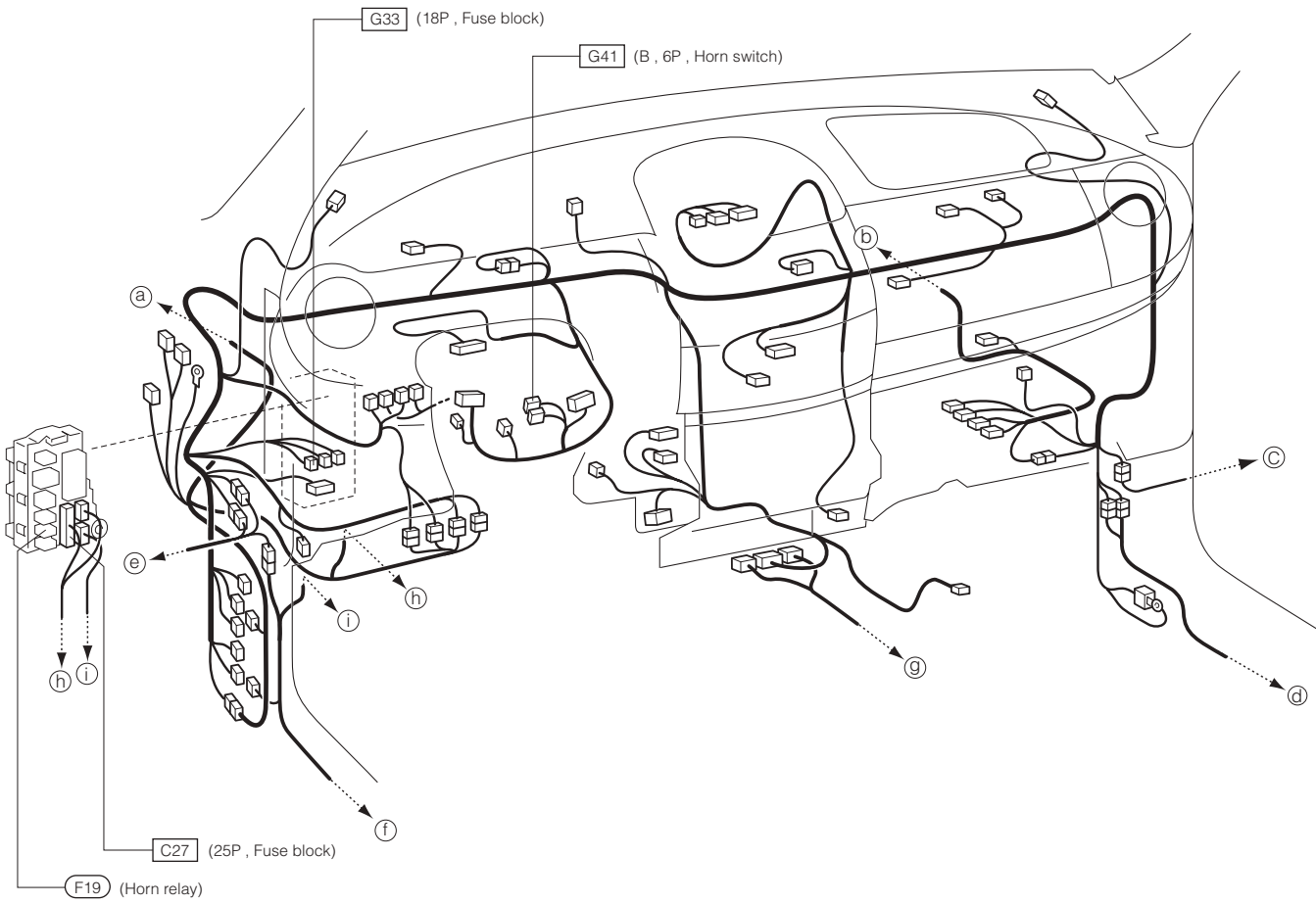


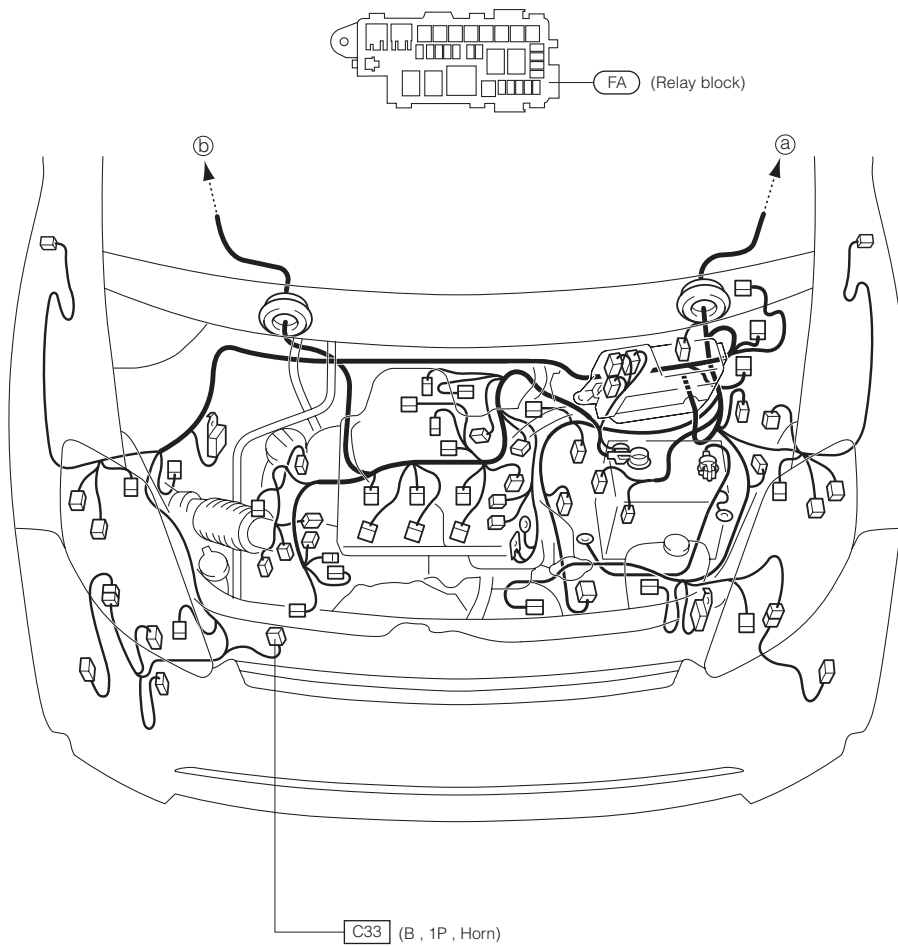


## 26-2 LHD VEHICLE



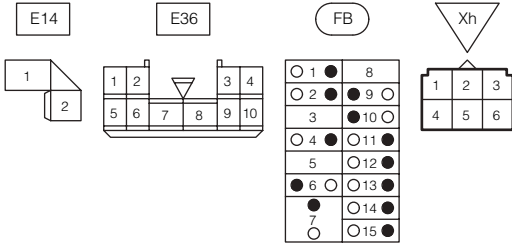
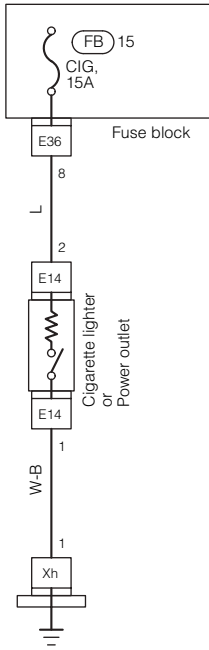
(MEMO)

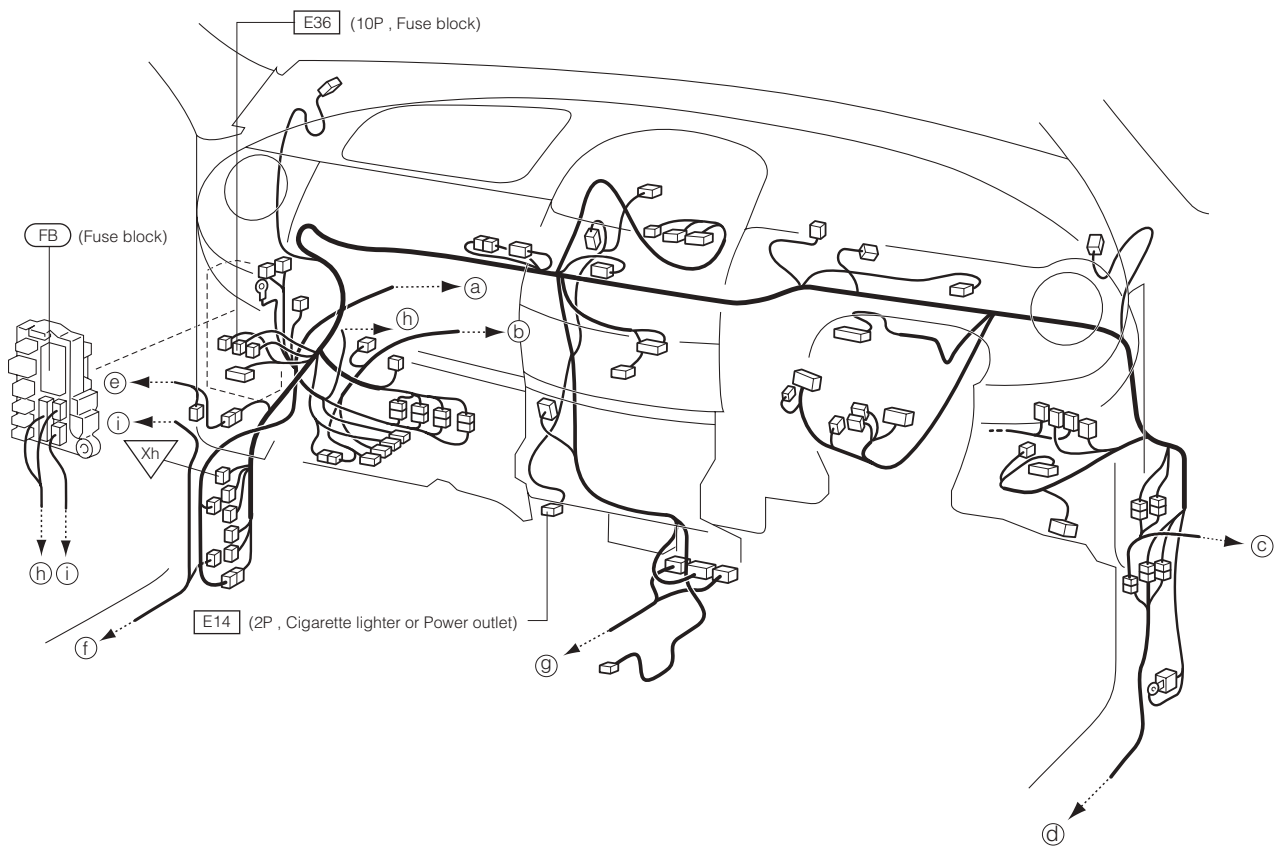




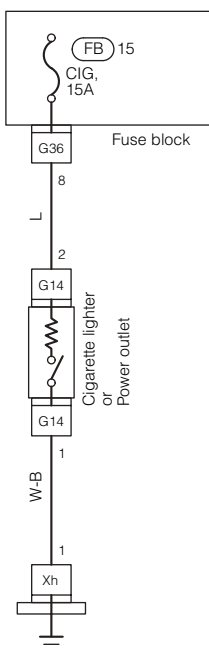
# D-237

## 27 CIGARETTE LIGHTER, POWER OUTLET 27-1 RHD VEHICLE





## 27-2 LHD VEHICLE



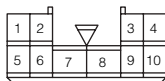
FB

G14

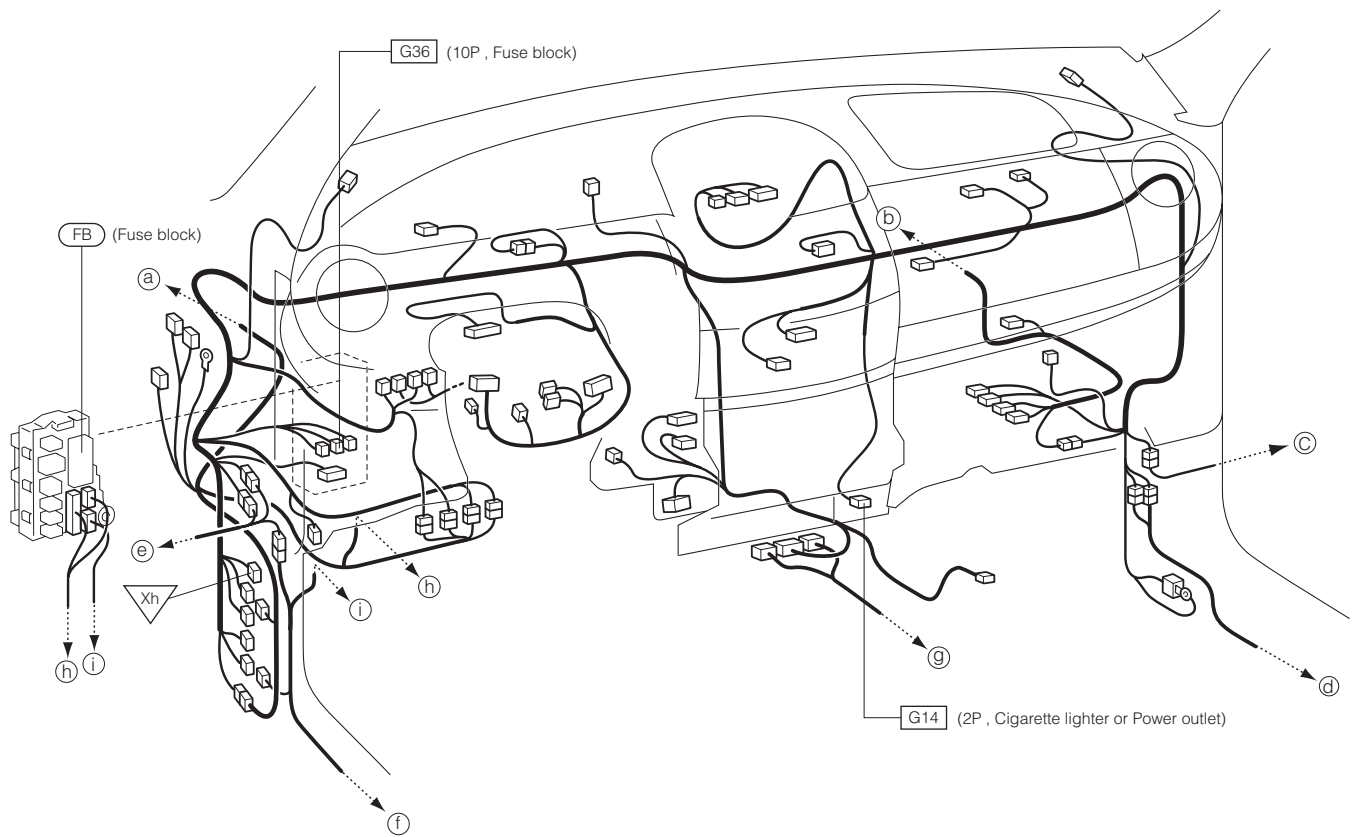
G36

Xh

○ 1	● 8
○ 2	● 9
○ 3	● 10
○ 4	○ 11
○ 5	○ 12
● 6	○ 13
● 7	○ 14
○	○ 15

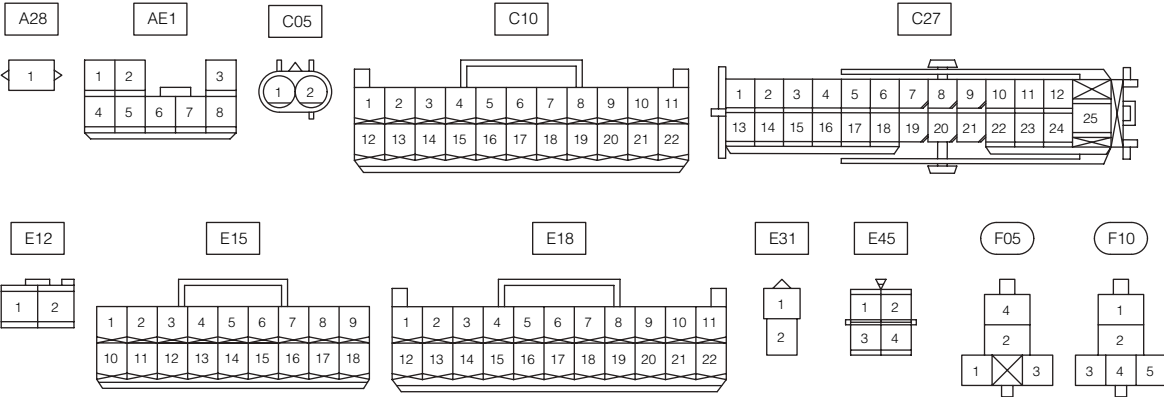
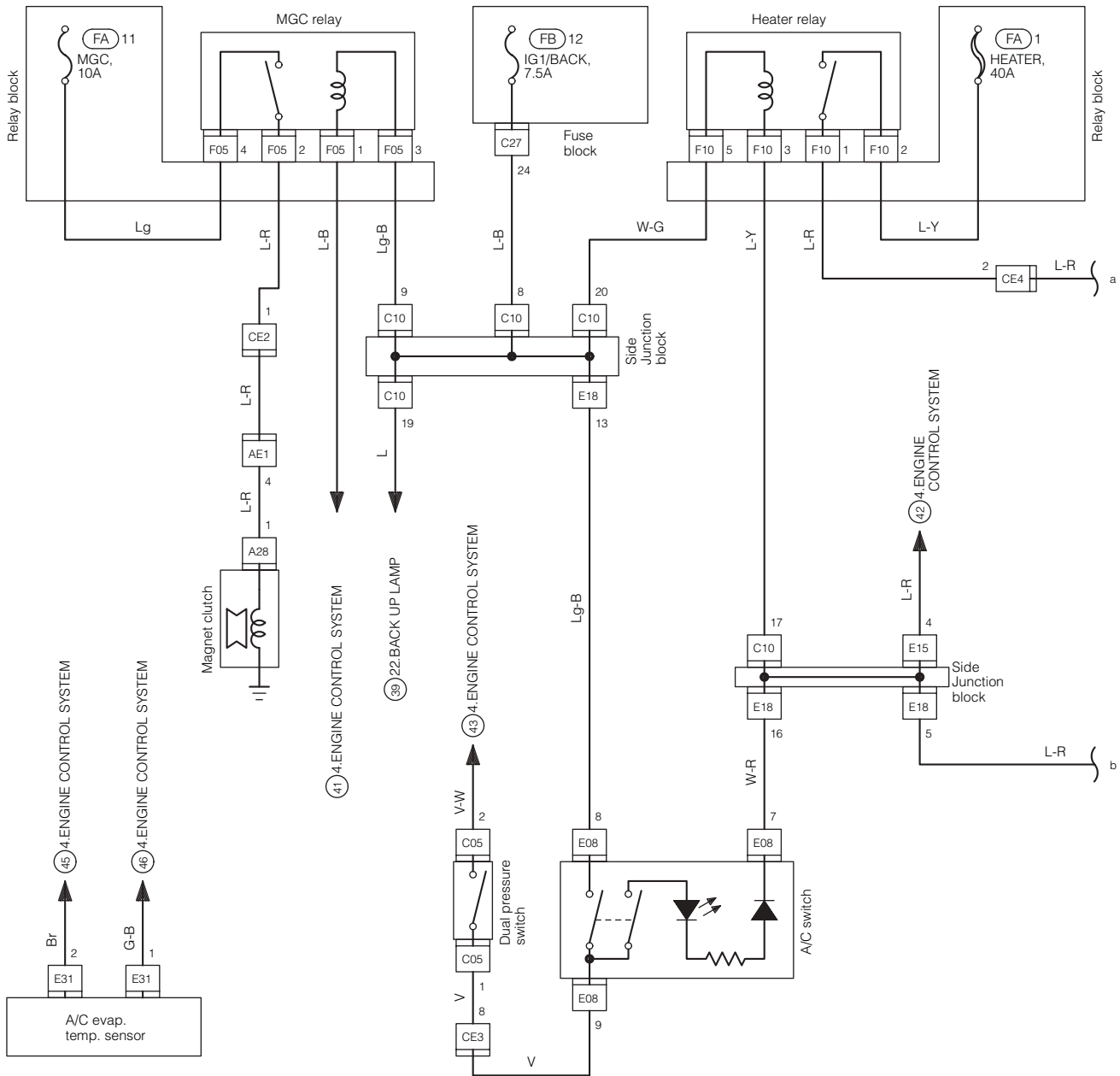


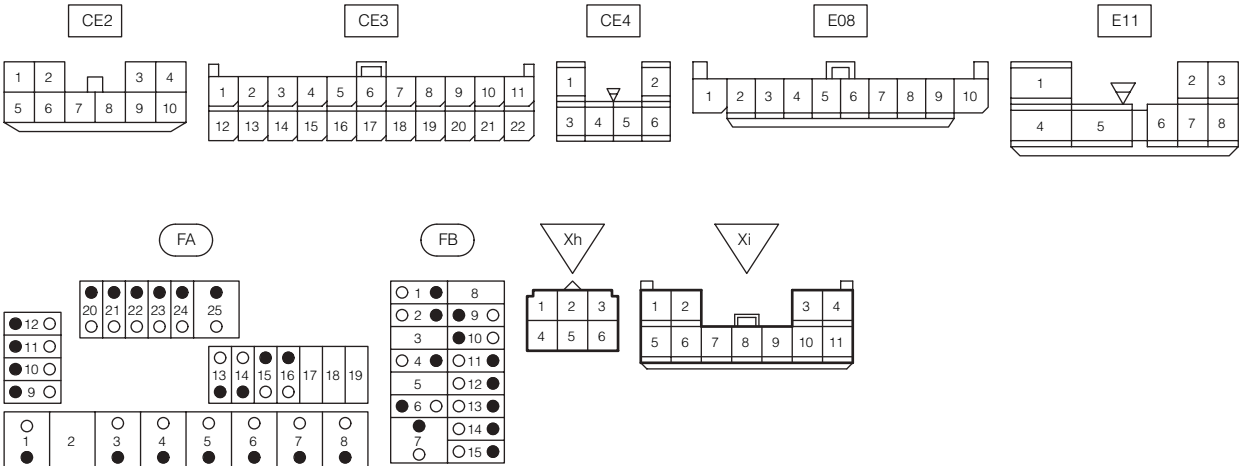
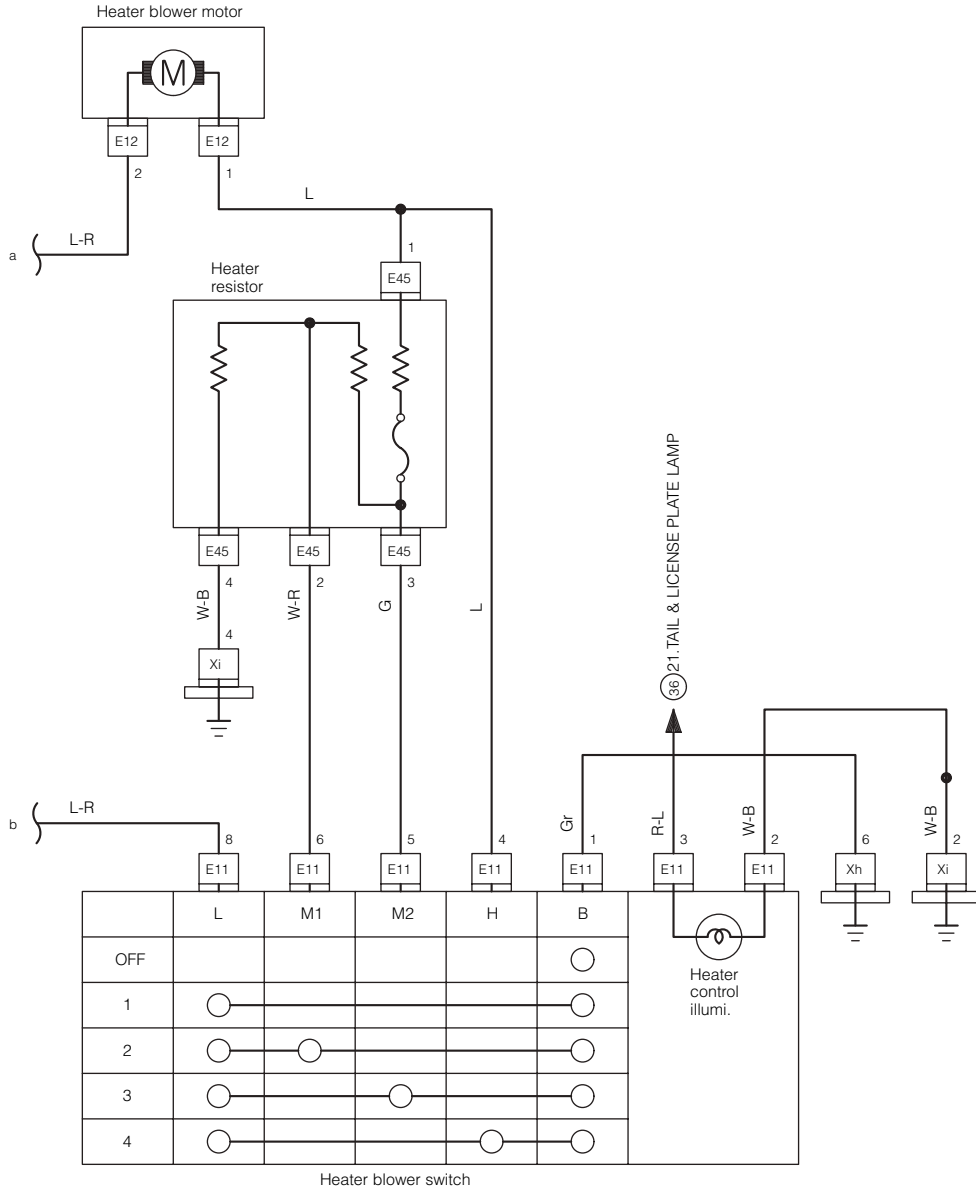


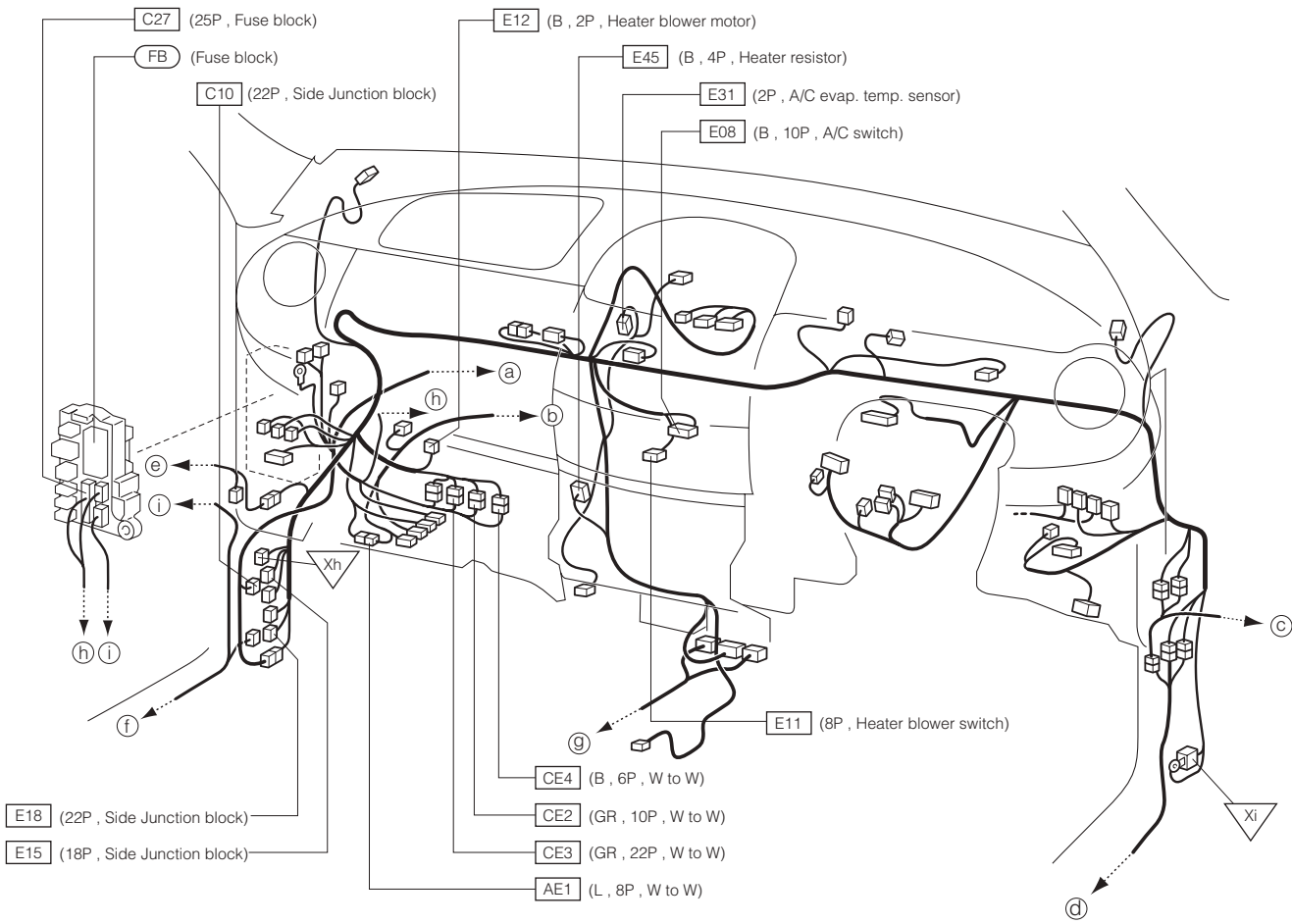


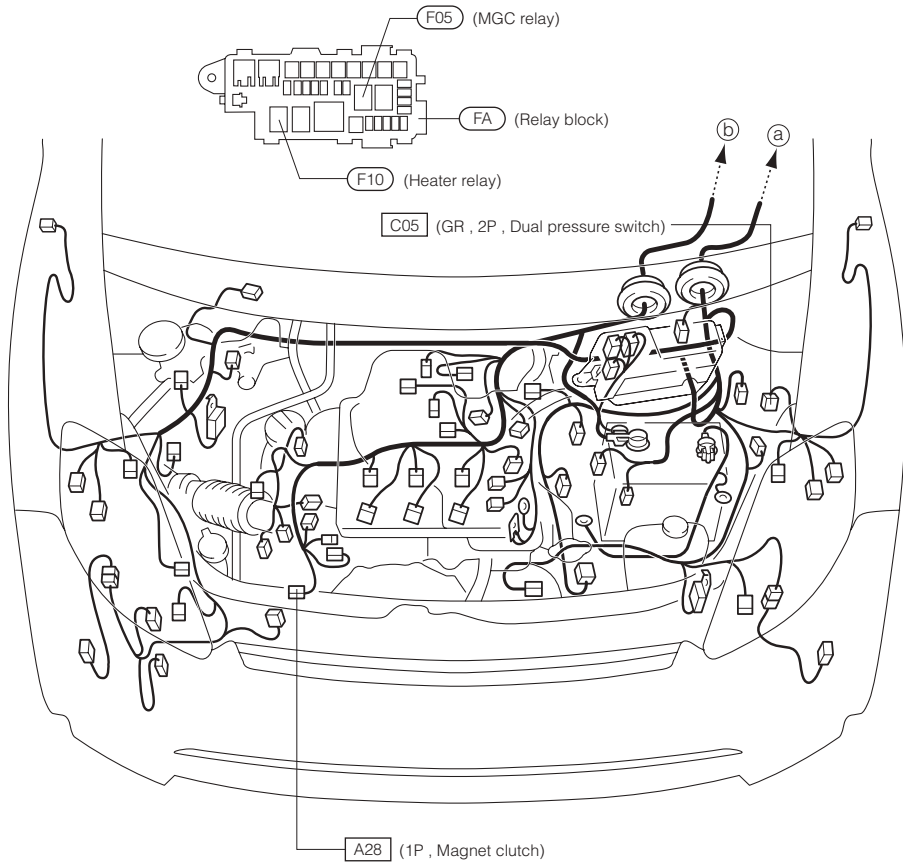
# D-241

## 28 HEATER & AIR CONDITIONER 28-1 RHD VEHICLE

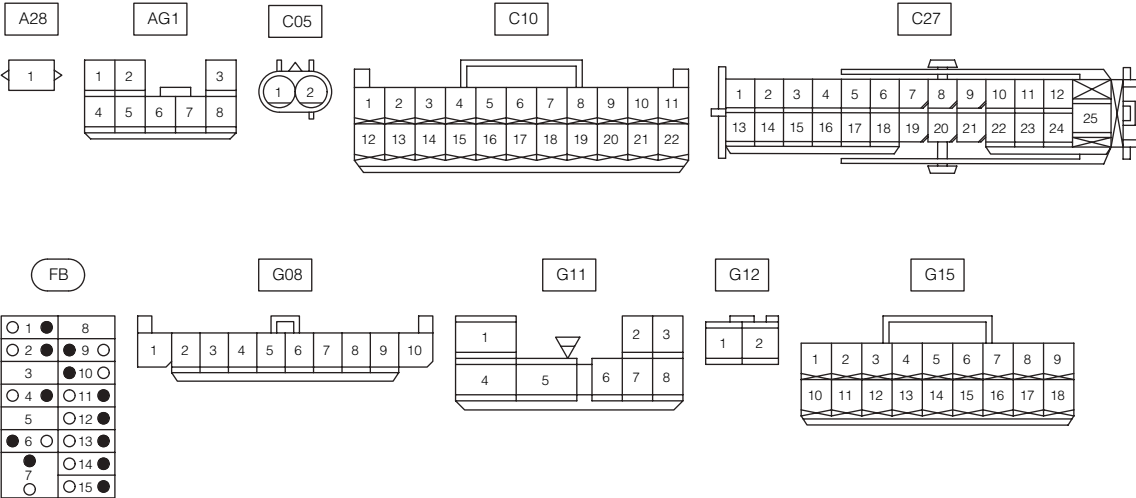
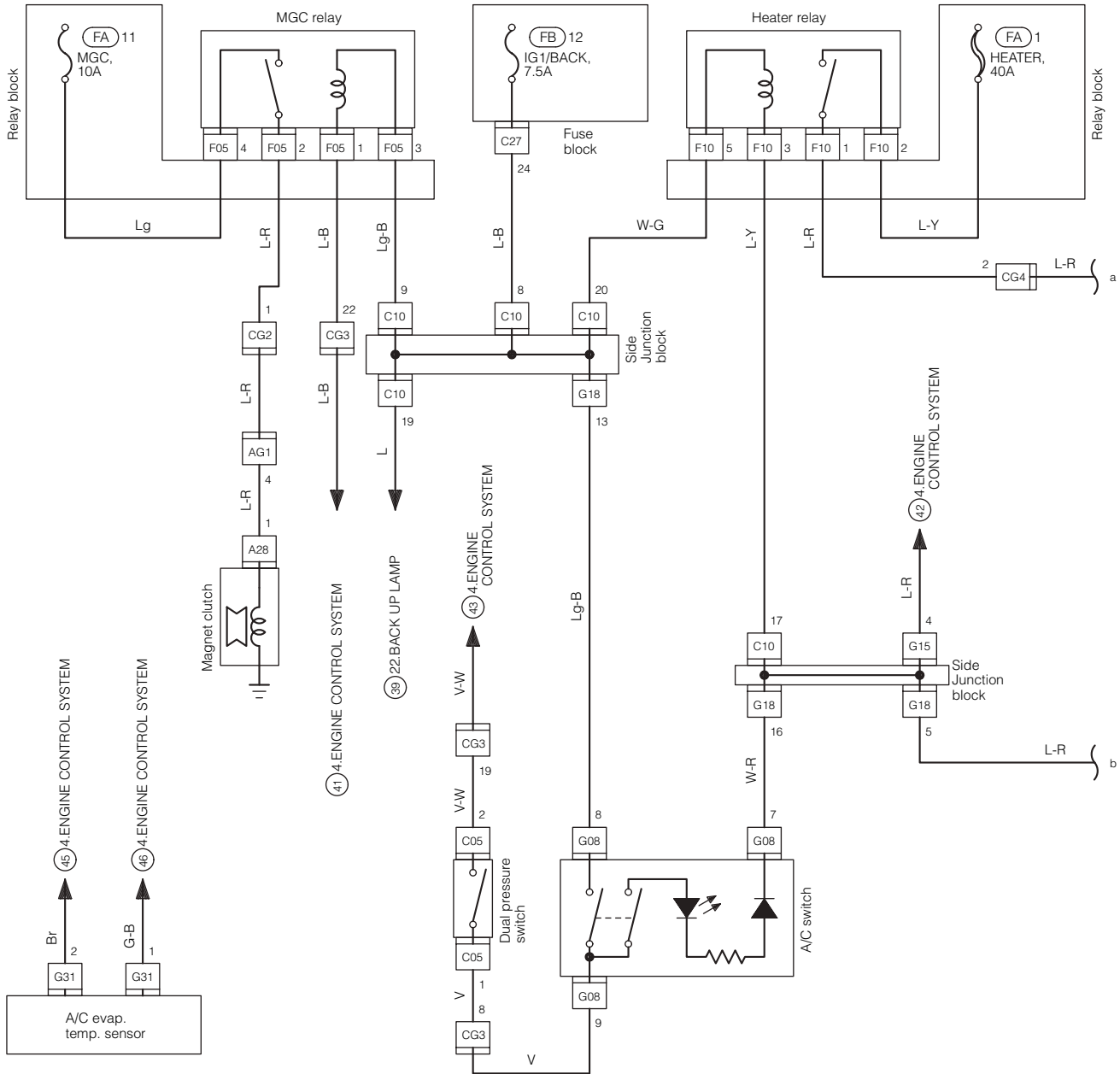


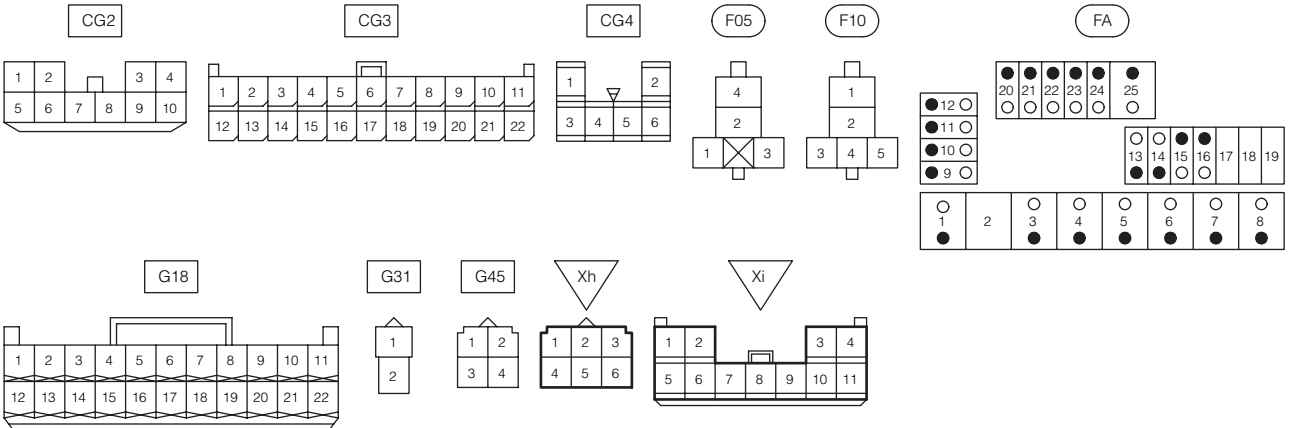
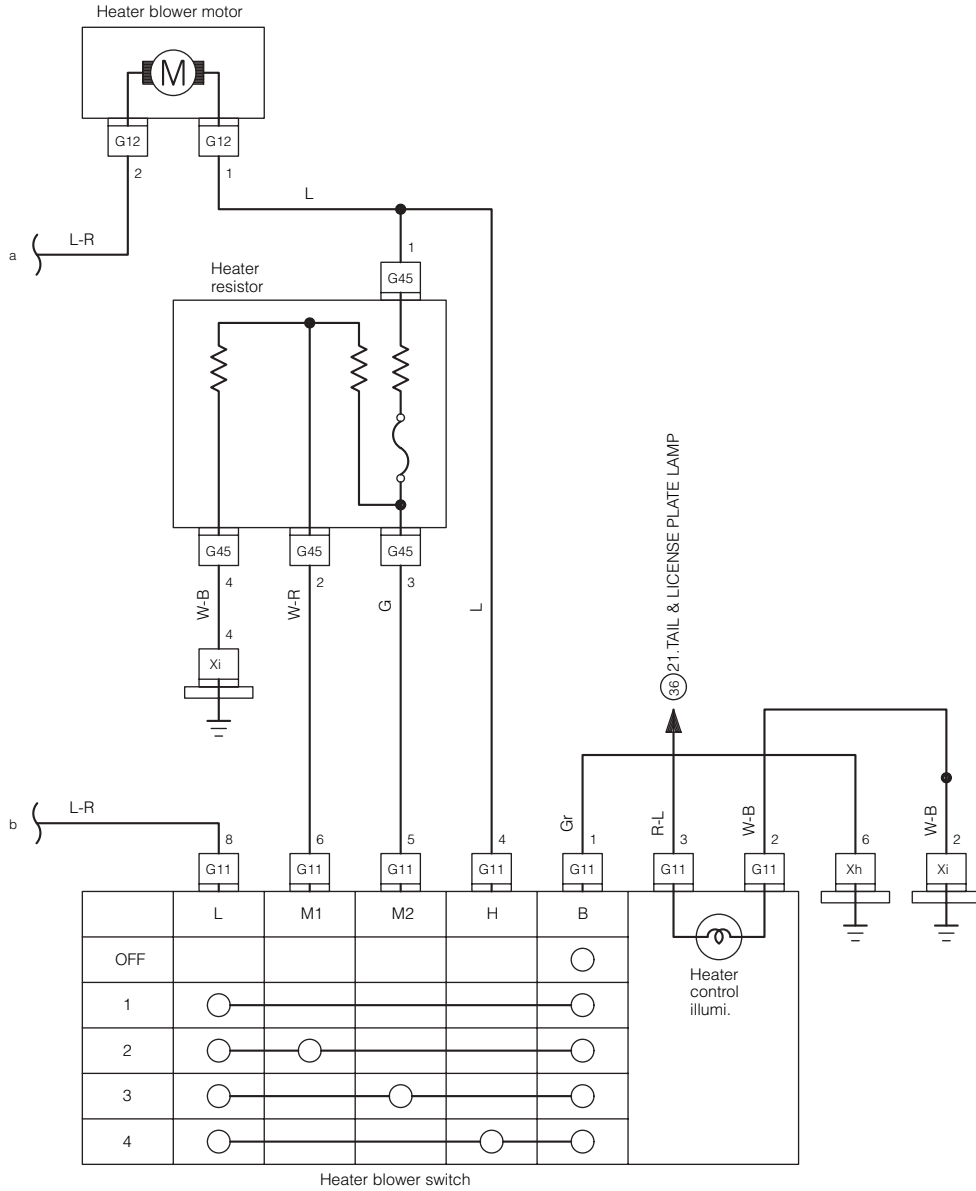


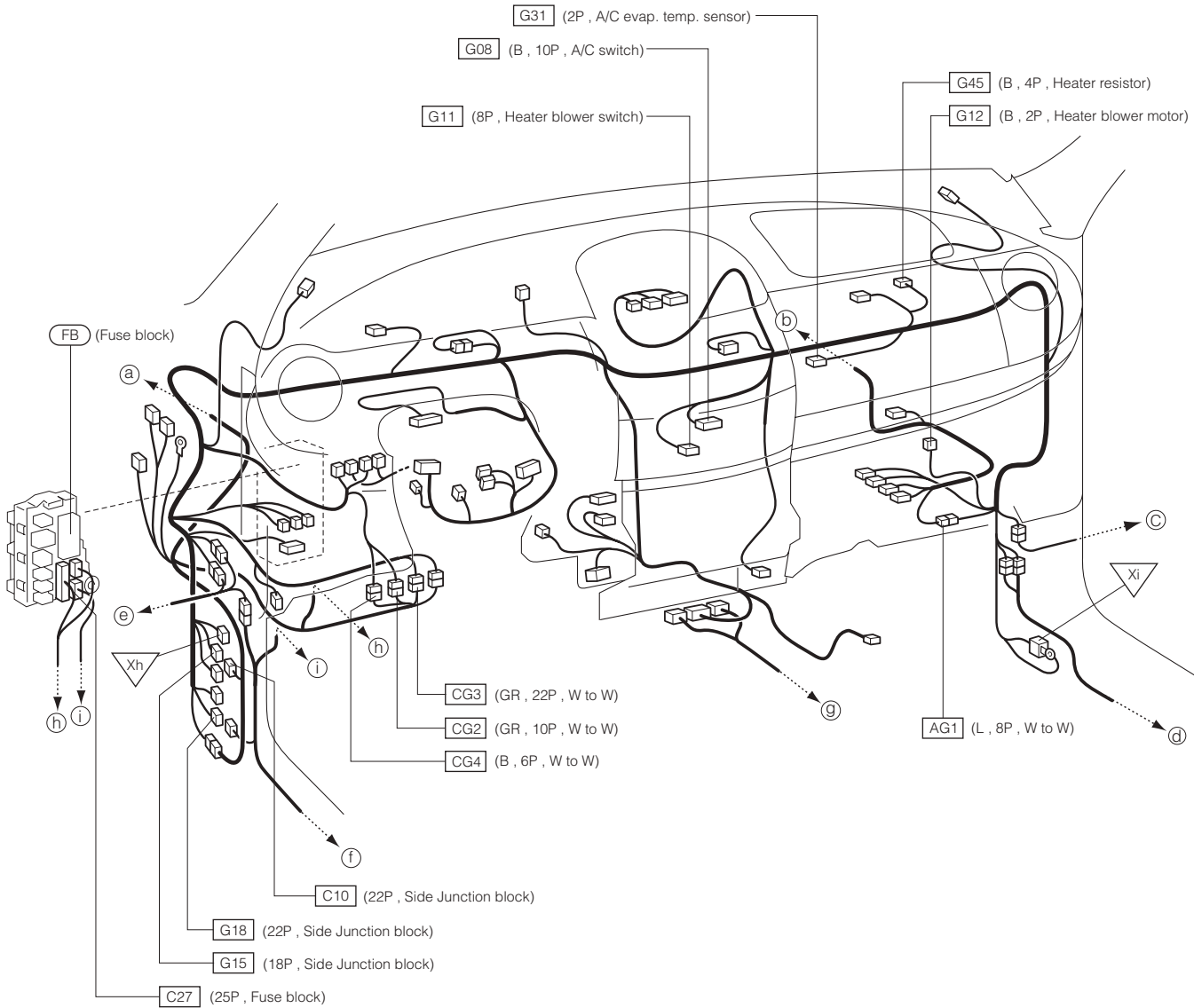




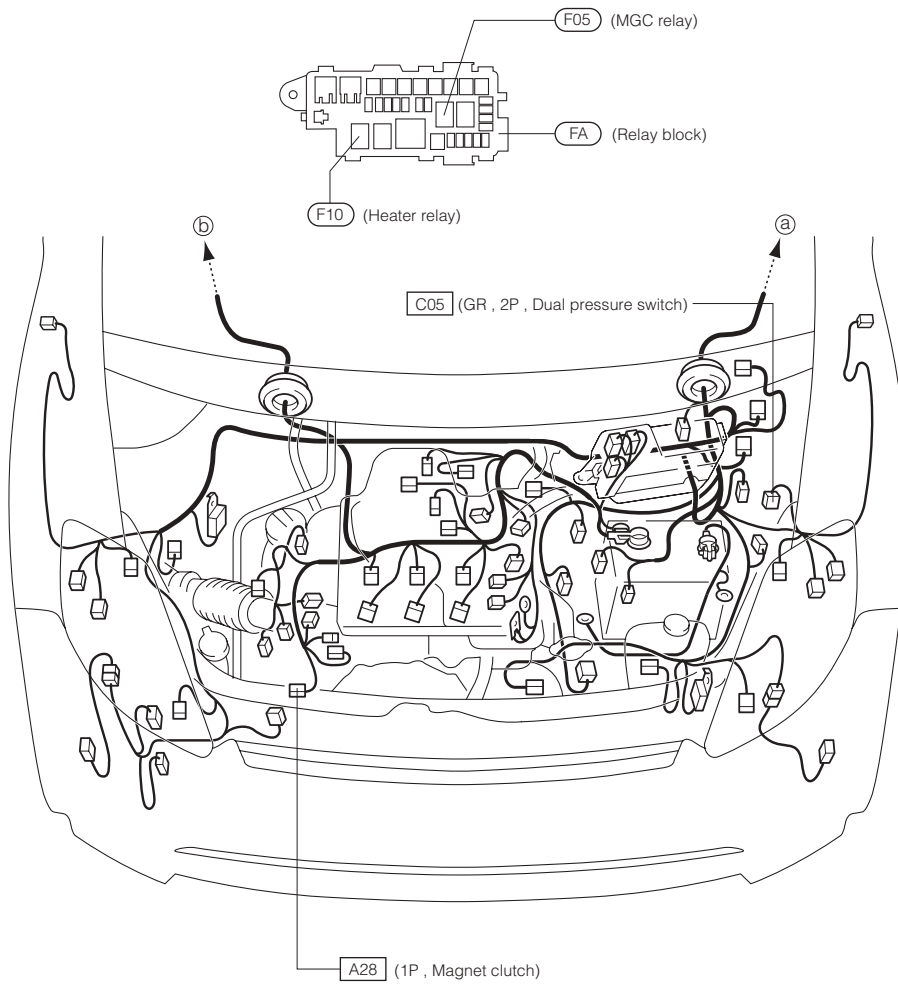
## 28-2 LHD VEHICLE



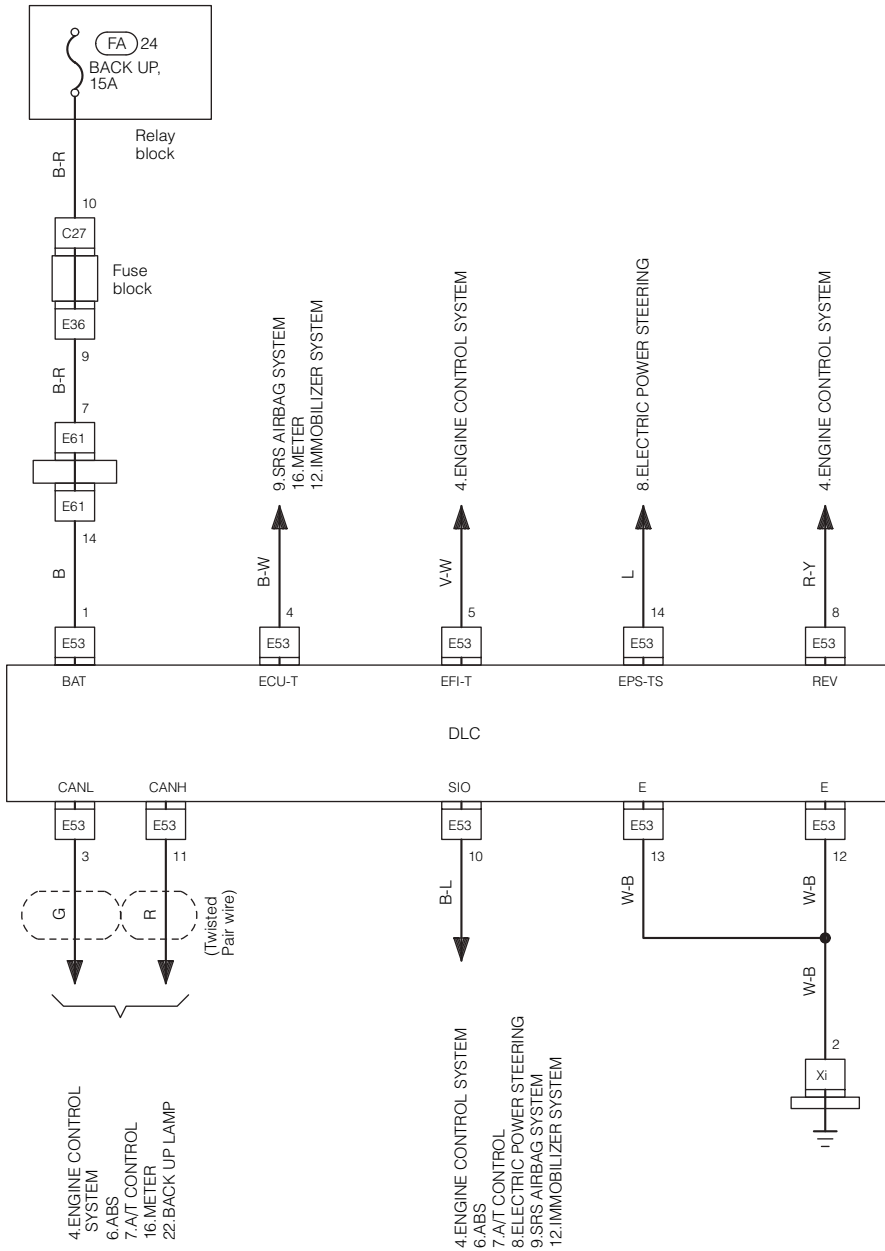




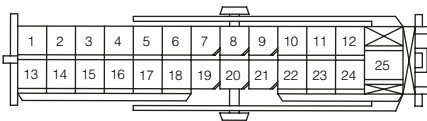




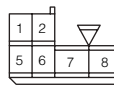
## 29 DATA LINK CONNECTOR 29-1 RHD VEHICLE



C27



E36



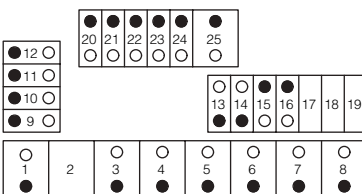
E53



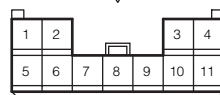
E61



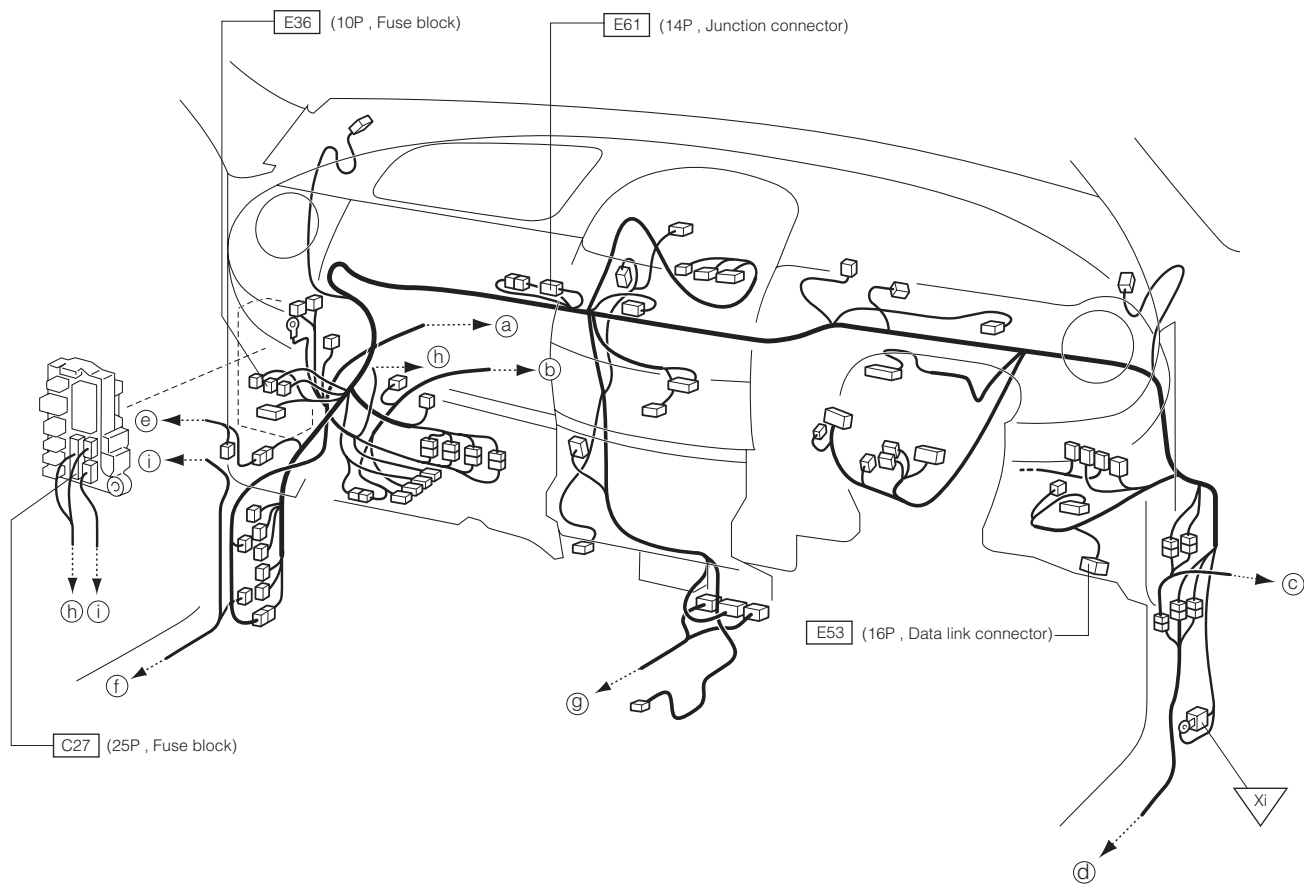
FA

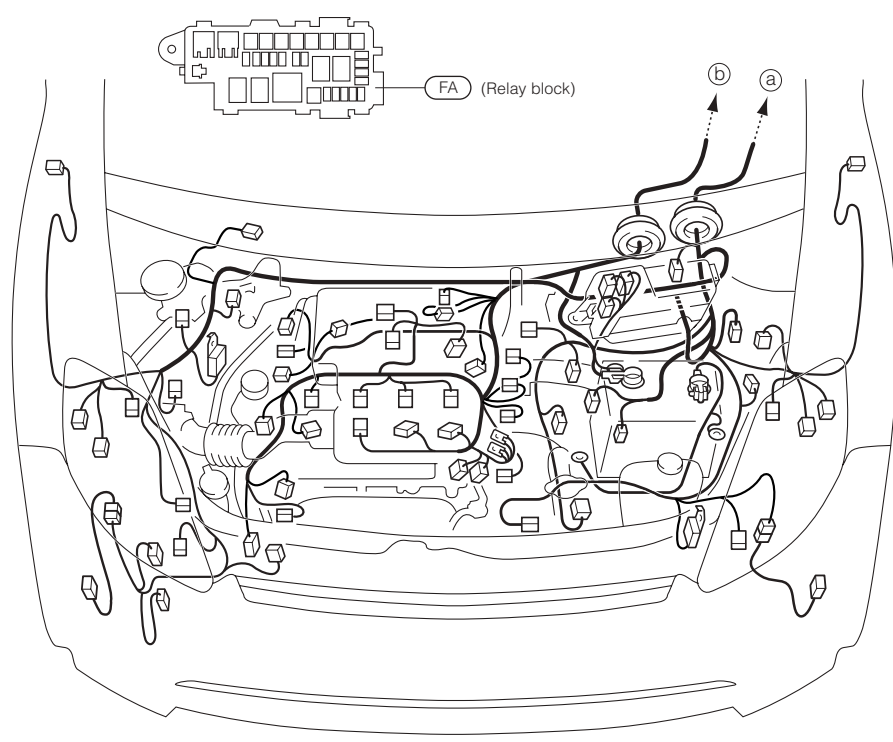


Xi

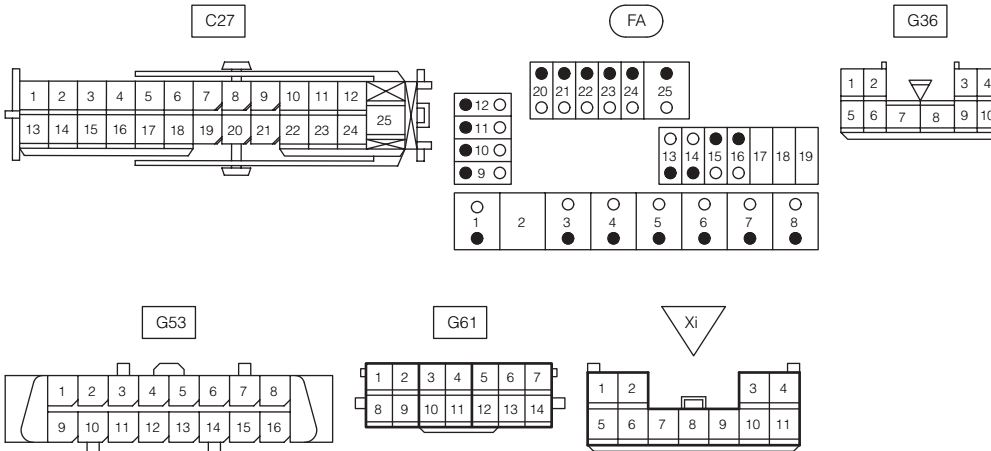
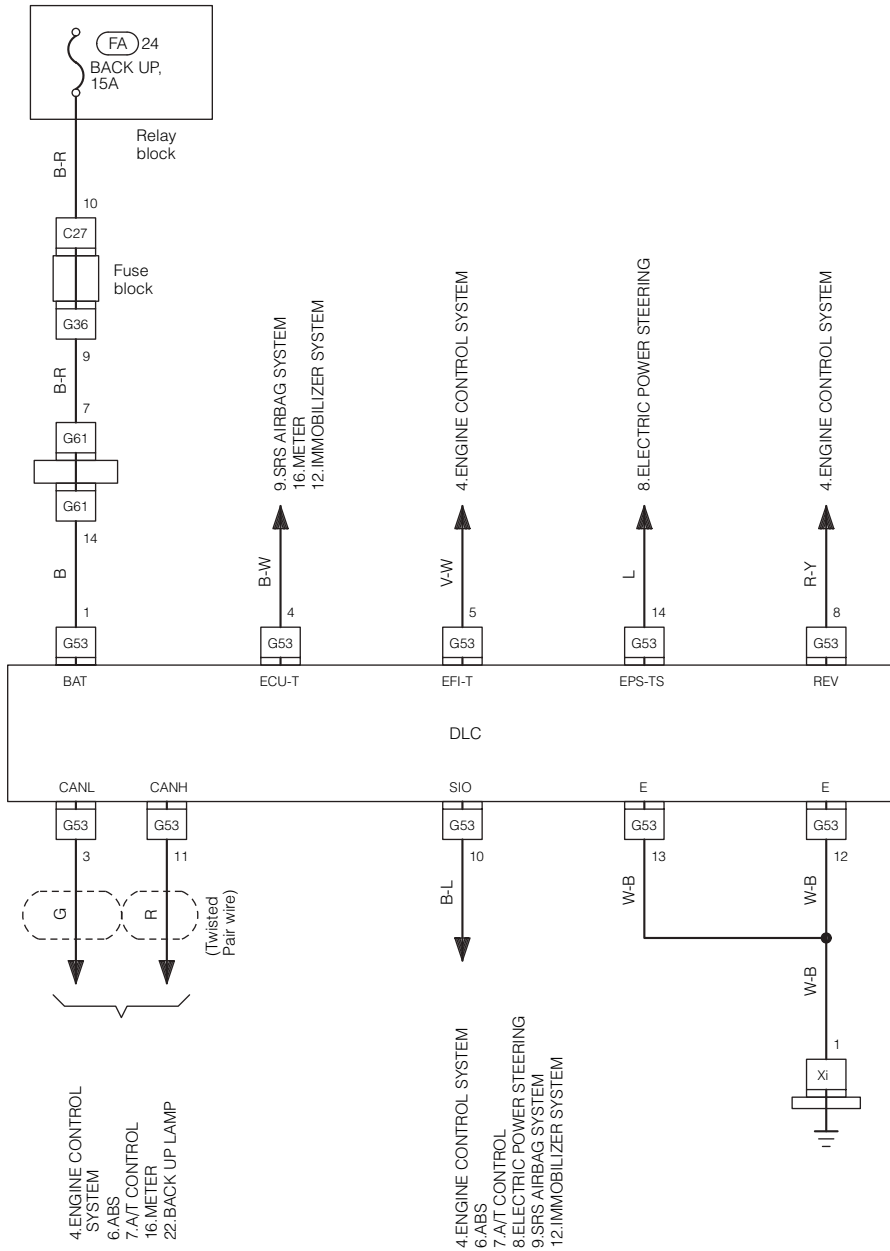


(MEMO)





## 29-2 LHD VEHICLE



(MEMO)

