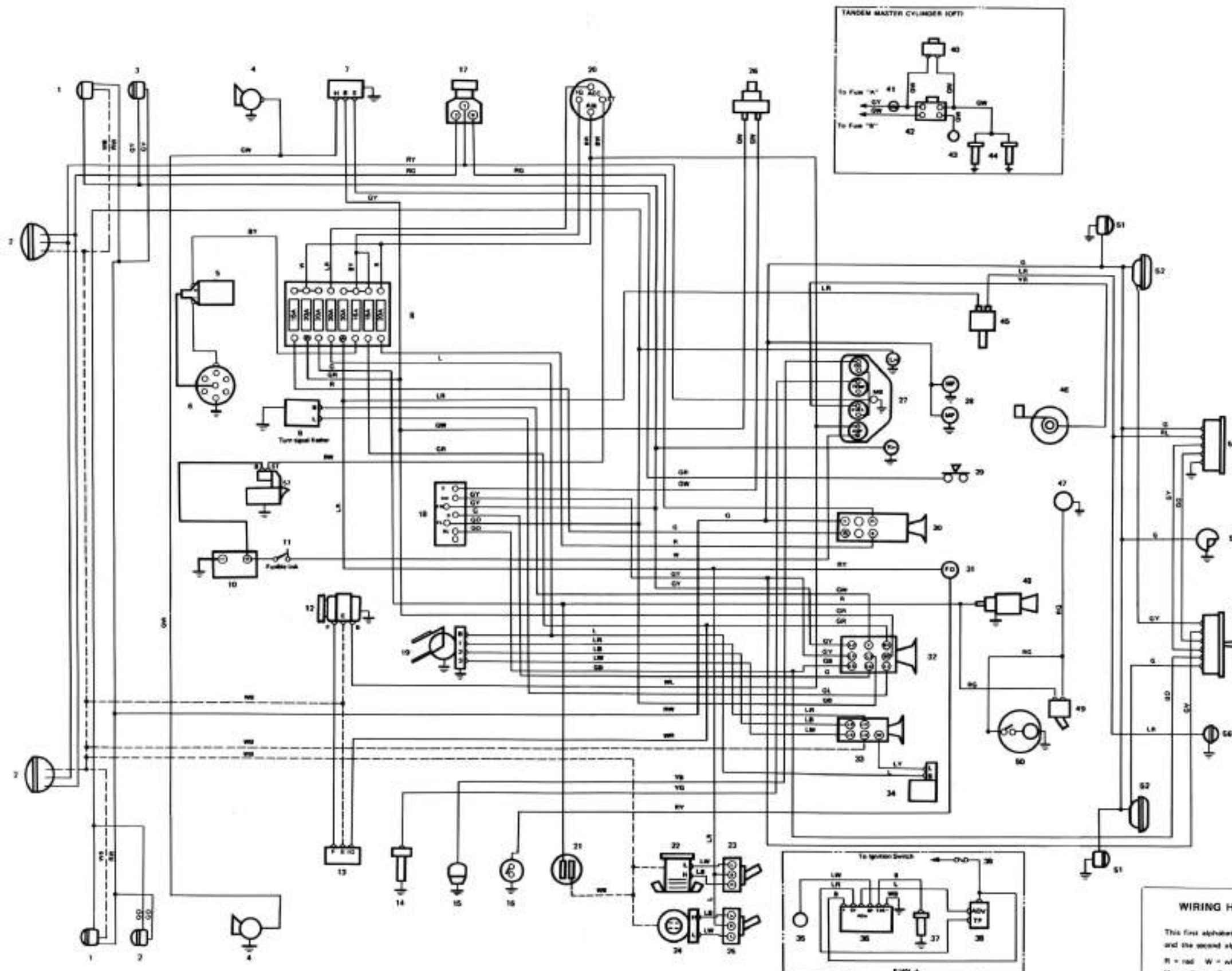


ELECTRICAL WIRING DIAGRAM — FJ40(L) Series

1971FJ40(L).tif



1. Front turn signal light (12V 23/8W)
2. Head Light (12V 50/40W)
3. Side marker light (12V 8W)
4. Horn
5. Ignition Coil
6. Distributor
7. Horn Relay
8. Fuse Block
9. Turn signal flasher
10. Battery
11. Fusible link
12. Alternator
13. Alternator regulator
14. Water temperature sender gauge
15. Oil pressure sender gauge
16. Transfer indicator light switch
17. Headlight dimmer switch
18. Turn signal switch
19. Windshield wiper motor
20. Ignition switch
21. Inspection lamp switch
22. Heater (for front seat)
23. Heater blower switch
24. Heater (for rear seat)
25. Heater blower switch
26. Stop light switch
27. Combination meter
28. Combination pilot lamp
29. Horn switch
30. Light control switch
31. Transfer indicator light (12V 3.4W)
32. Hazard warning light switch (OPT)
33. Windshield wiper switch
34. Windshield washer (OPT)
35. Speed sensor
36. Spark control computer
37. Thermo sensor
38. Vacuum switching valve
39. Fuse (turn)
40. Brake testing switch
41. Brake lamp
42. Stop switch
43. Turn switch
44. Oil pressure gauge
45. Back-up light switch
46. Fuel sender gauge
47. Courtesy light
48. Cigarette lighter(OPT)
49. Courtesy light switch
50. Dome light
51. Side marker light
52. Rear combination light (12V 23/8W)
53. Trailer socket
54. License light (12V 10W)
55. Trailer socket change over switch
56. Back-up light lamp (12V 12W)
57. Starter

WIRING HARNESS COLOR CODES

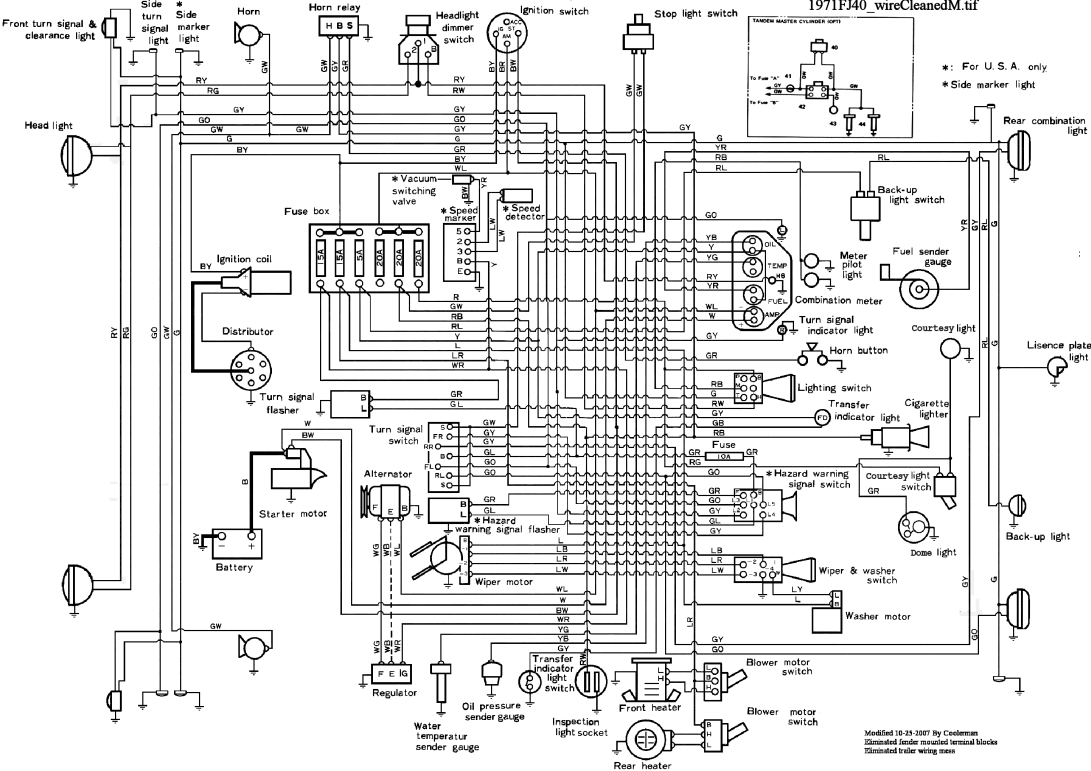
This first alphabet indicates the basic color for the wire, and the second alphabet indicates the spiral line color.

R = red W = white L = light purple G = Green
 Y = yellow B = black O = orange

Example: RG is for red and green line.

IGNITION WIRING DIAGRAM

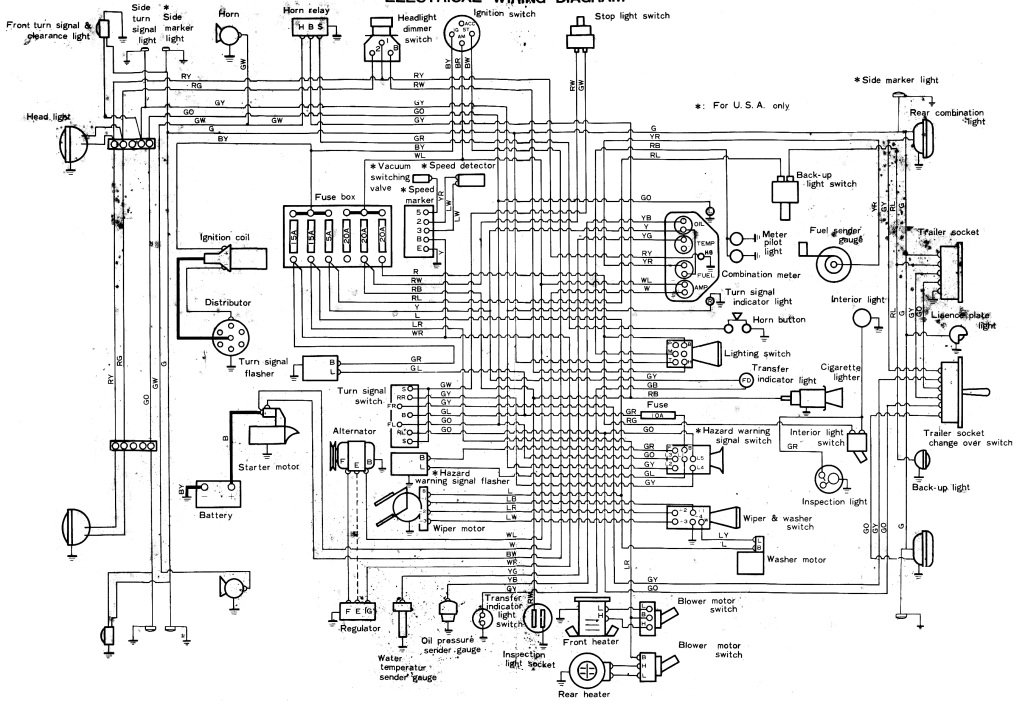
1971FJ40_wireCleanedM.tif



*: For U.S.A. only
*Side marker light

Modified 10-23-2007 by Coolman
32mm diameter sender mounted terminal blocks
32mm diameter trailer wiring sizes

WIRING DIAGRAM



1. Front turn signal light (12V 23/8W)
2. Head Light (12V 50/40W)
3. Side marker light (12V 8W)
4. Horn
5. Ignition Coil
6. Distributor
7. Horn Relay
8. Fuse Block
9. Turn signal flasher
10. Battery
11. Fusible link
12. Alternator
13. Alternator regulator
14. Water temperature sender gauge
15. Oil pressure sender gauge
16. Transfer indicator light switch
17. Headlight dimmer switch
18. Turn signal switch
19. Windshield wiper motor
20. Ignition switch
21. Inspection lamp switch
22. Heater (for front seat)
23. Heater blower switch
24. Heater (for rear seat)
25. Heater blower switch
26. Stop light switch
27. Combination meter
28. Combination pilot lamp
29. Horn switch
30. Light control switch
31. Transfer indicator light (12V 3.4W)
32. Hazard warning light switch (OPT)
33. Windshield wiper switch
34. Windshield washer (OPT)
35. Speed sensor
36. Spark control computer
37. Thermo sensor
38. Vacuum switching valve
39. Fuse (turn)
40. Brake testing switch
41. Brake lamp
42. Stop switch
43. Turn switch
44. Oil pressure gauge
45. Back-up light switch
46. Fuel sender gauge
47. Courtesy light
48. Cigarette lighter(OPT)
49. Courtesy light switch
50. Dome light
51. Side marker light
52. Rear combination light (12V 23/8W)
53. Trailer socket
54. License light (12V 10W)
55. Trailer socket change over switch
56. Back-up light lamp (12V 12W)
57. Starter