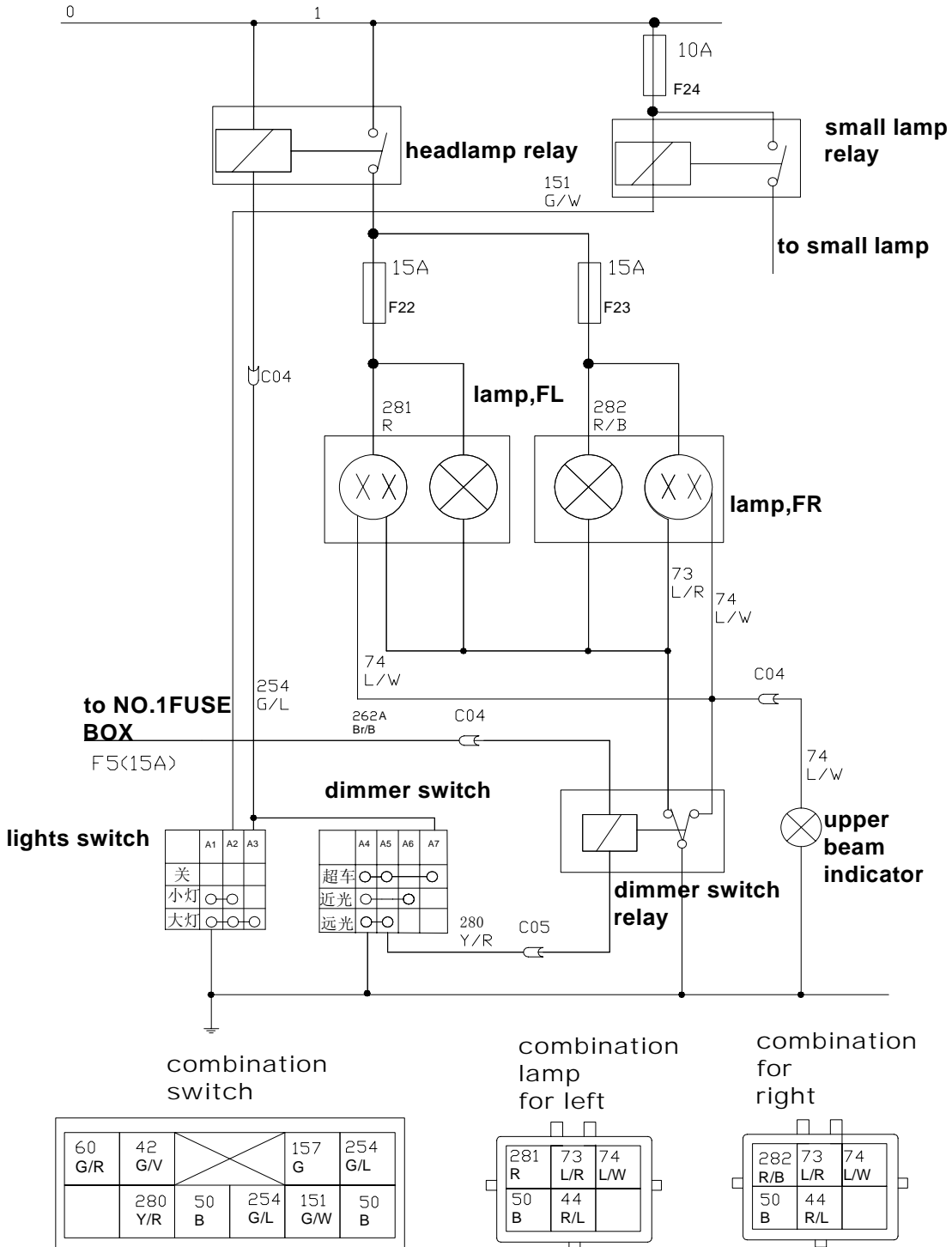
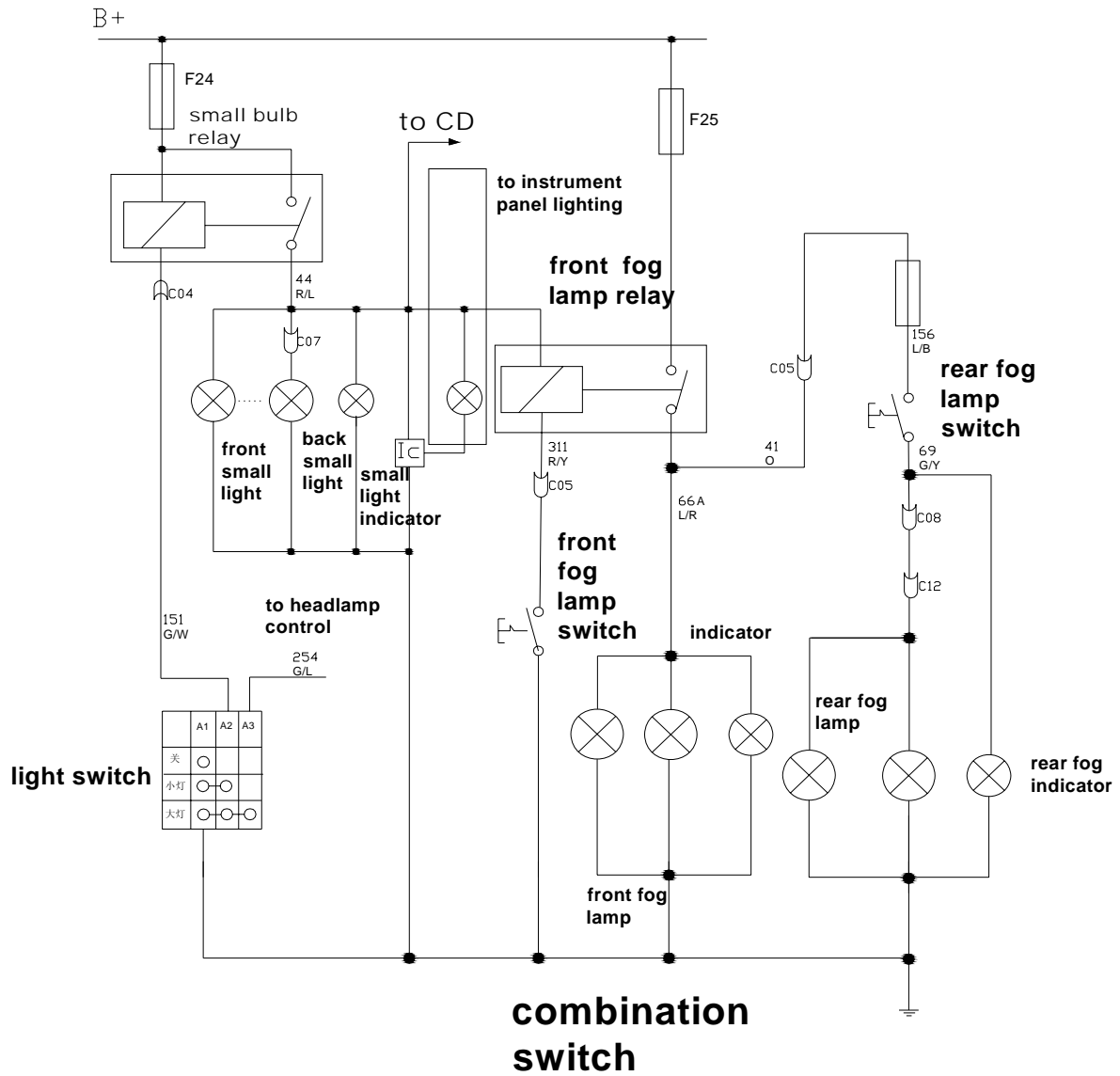


# Head lamp system



# lighting switch, fog lamp system



60 G/R	42 G/V		157 G	254 G/L
	280 Y/R	50 B	254 G/L	151 G/W

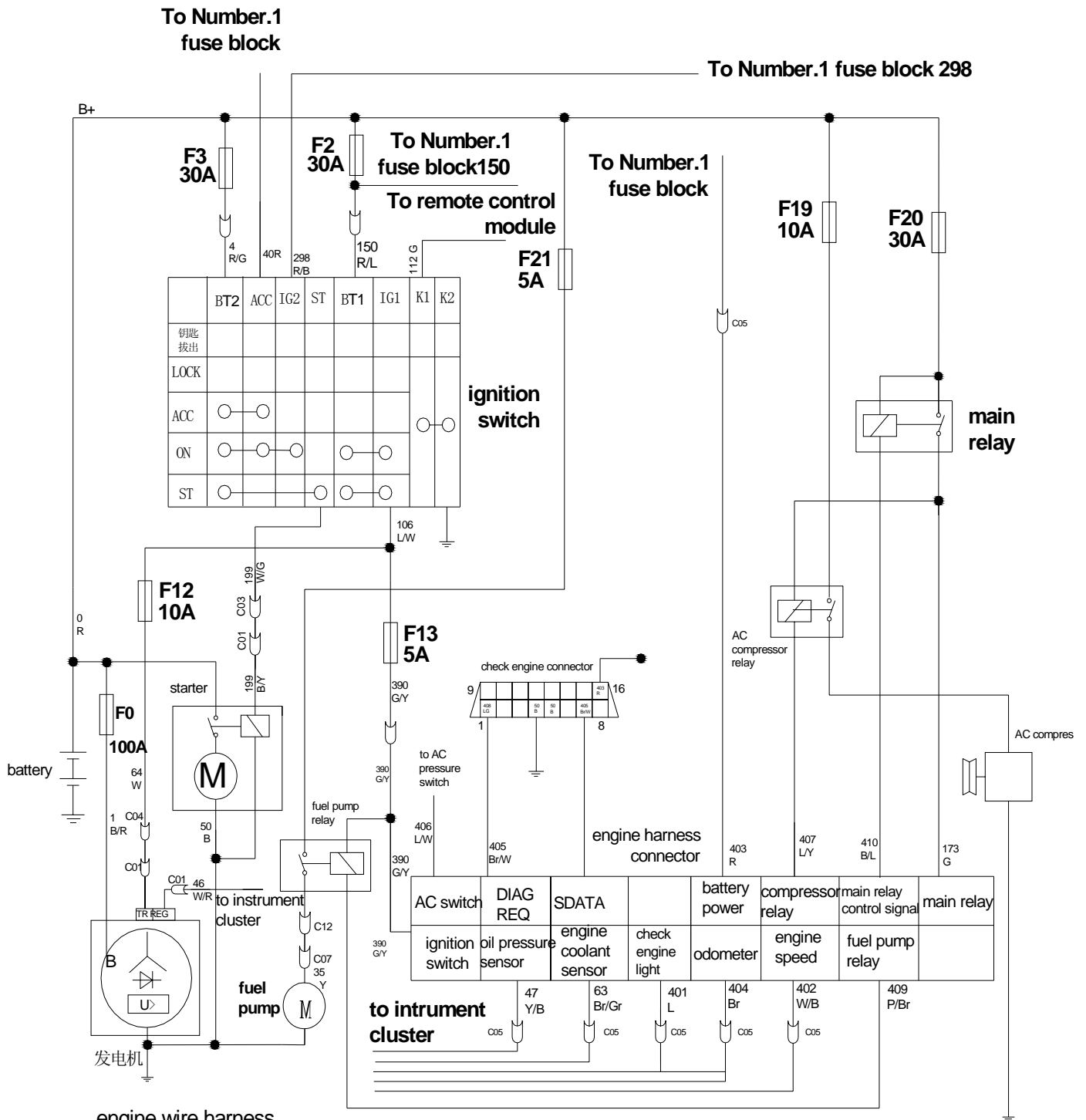
**front fog switch**

44 R/L	311 R/Y	50 B	66 L/R	50 B

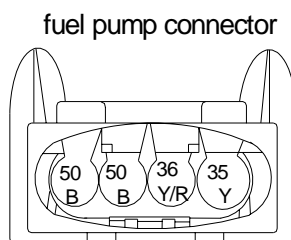
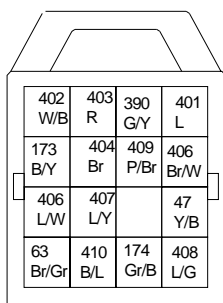
**rear fog switch**

44 R/L	156 L/B	69 G/Y	50 B	50 B

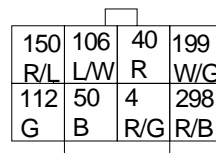
# starting、charge&engine system



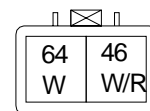
engine wire harness



ignition switch connector

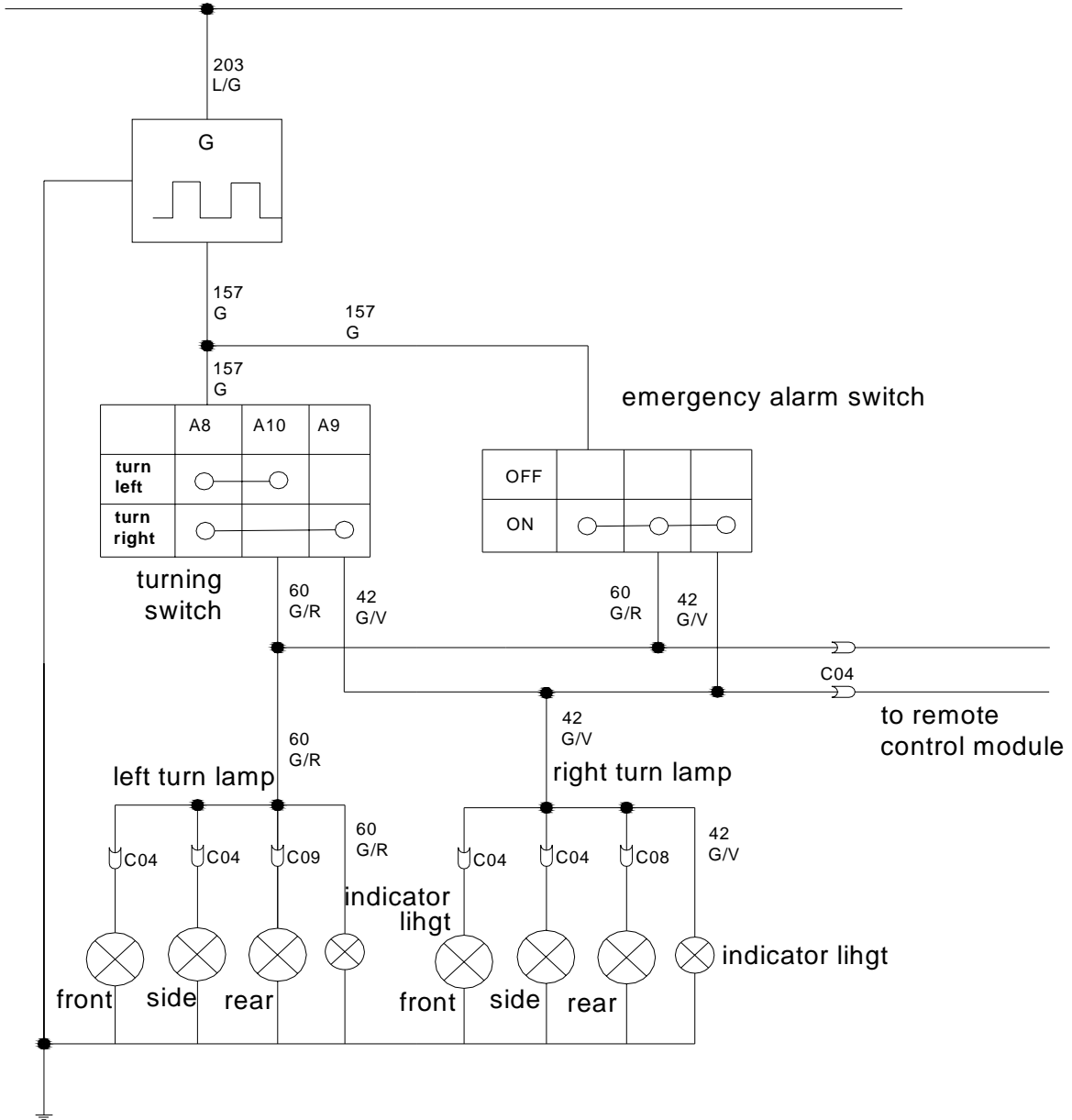


Alternator connector



# turn signal, hazard warning lamp system

to NO.1 fuse block



To combination switch

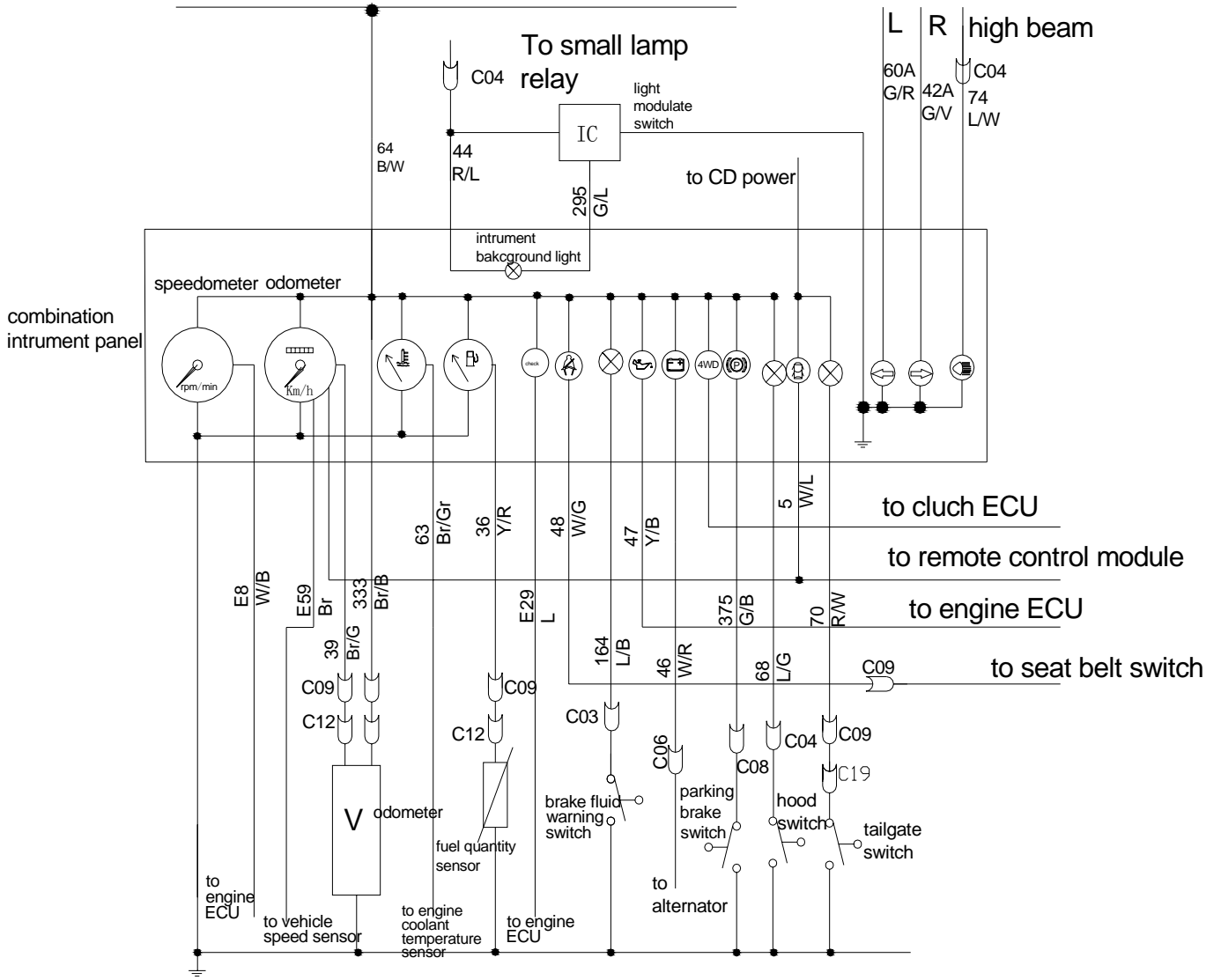
60 G/R	42 G/V	X		157 G	254 G/L
	280 Y/R	50 B	254 G/L	151 G/W	50 B

to emergency alarm switch

44 R/L	X			50 B
		157 G	42 G/V	60 G/R

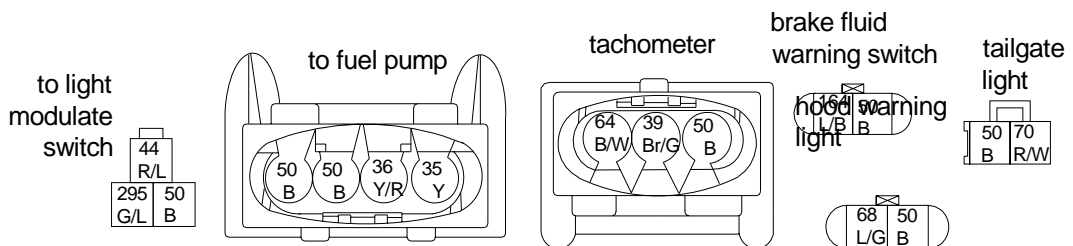
# meter cluster system

NO.1 fuse block F12-10A

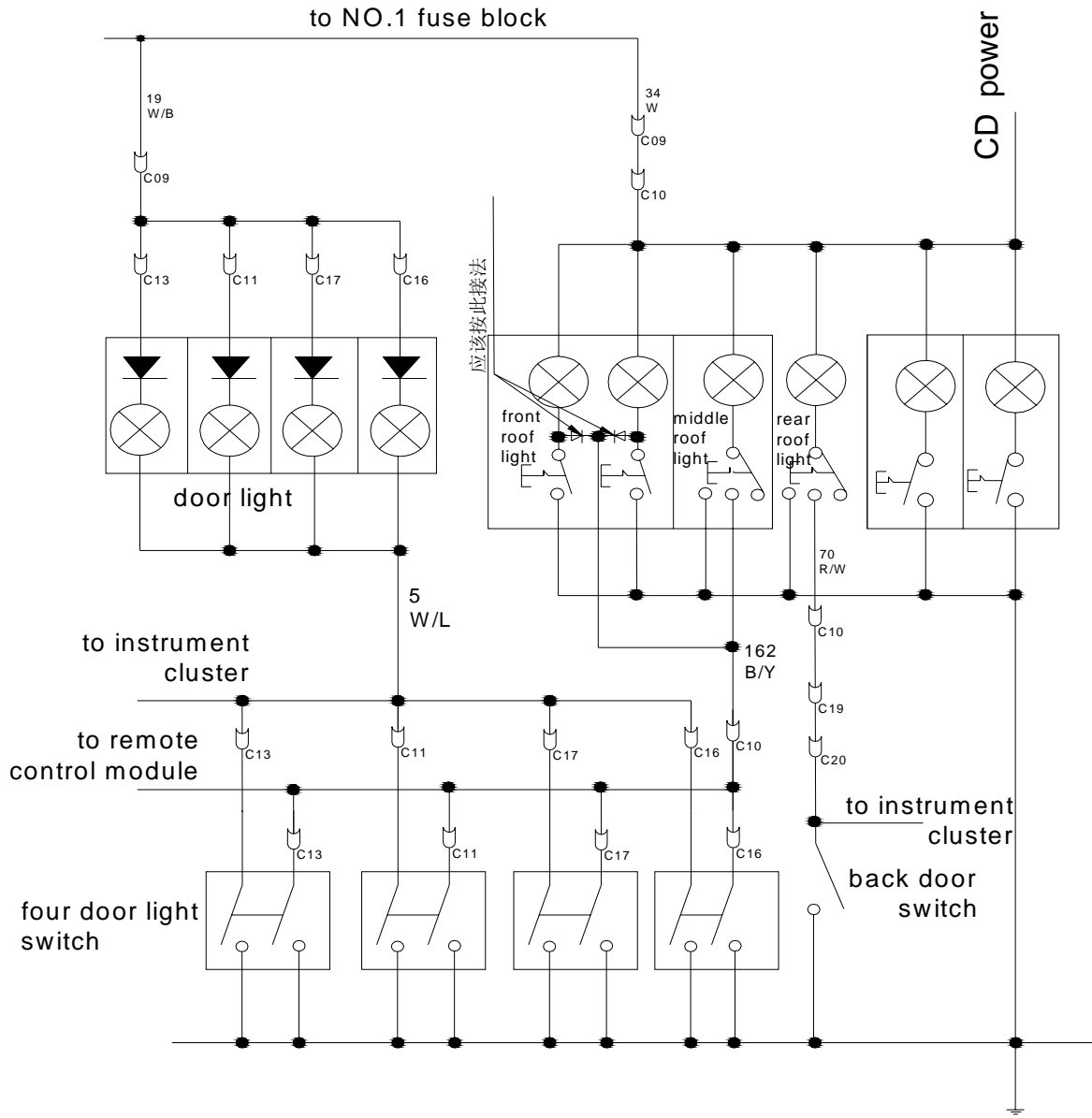


to instrument cluster

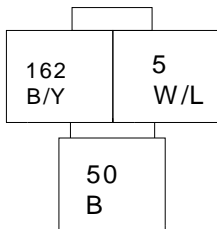
34	50	64	295	44	E59	39	E8	63	36	29	69	66	333	60
W	B	B/W	G/L	R/L	Br	Br/G	W/B	Br/G	Y/R	L/Y	G/Y	L/R	Br/B	G/R
164	68		44	46	64	48	50	47	70	5	375	E29	74	42
L/B	L/G		R/L	W/R	B/W	W/GB	Y/B	R/W	W/L	G/B	L		L/W	G/V



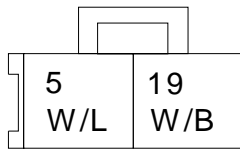
# Room lamp system



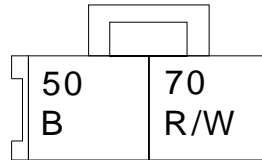
door light switch



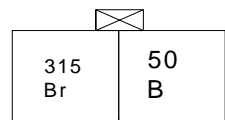
to door light



door light switch

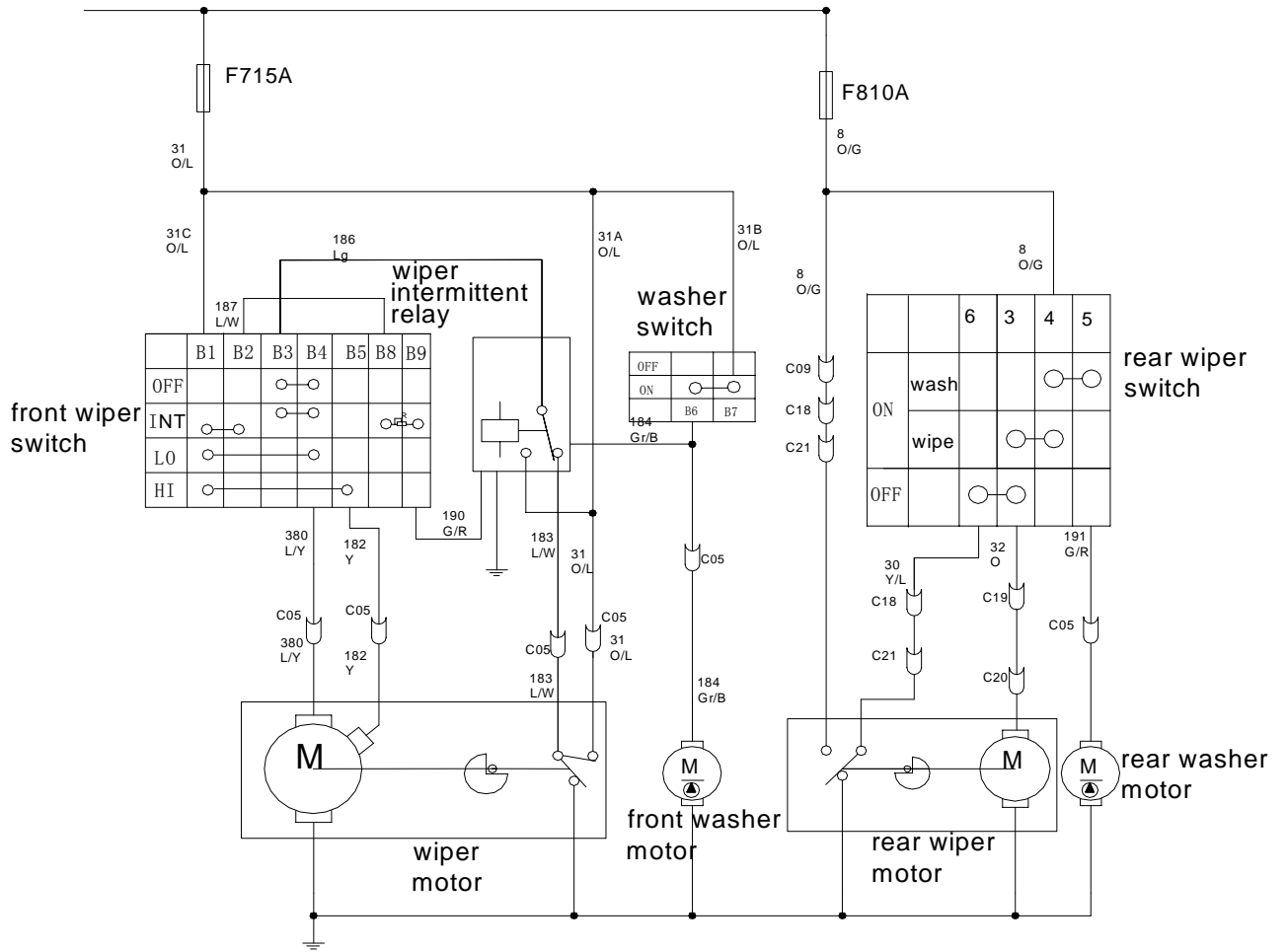


door light switch



# F&R wiper&washer system

to NO.1 fuse block



combination connector

116 R/W	190 G/R	X		187 L/W	31 O/L
184 Gr/B	182 Y	380 L/Y	186 Lg	187 L/W	31 O/L

rear wiper switch connector

	44 R/L	X		50 B	
	30 Y/L	32 O	8 O/G	191 G/R	

front wiper

50 B	380 L/Y	182 Y
31 O/L	183 L/W	

front washer motor

184 Gr/B
50 B

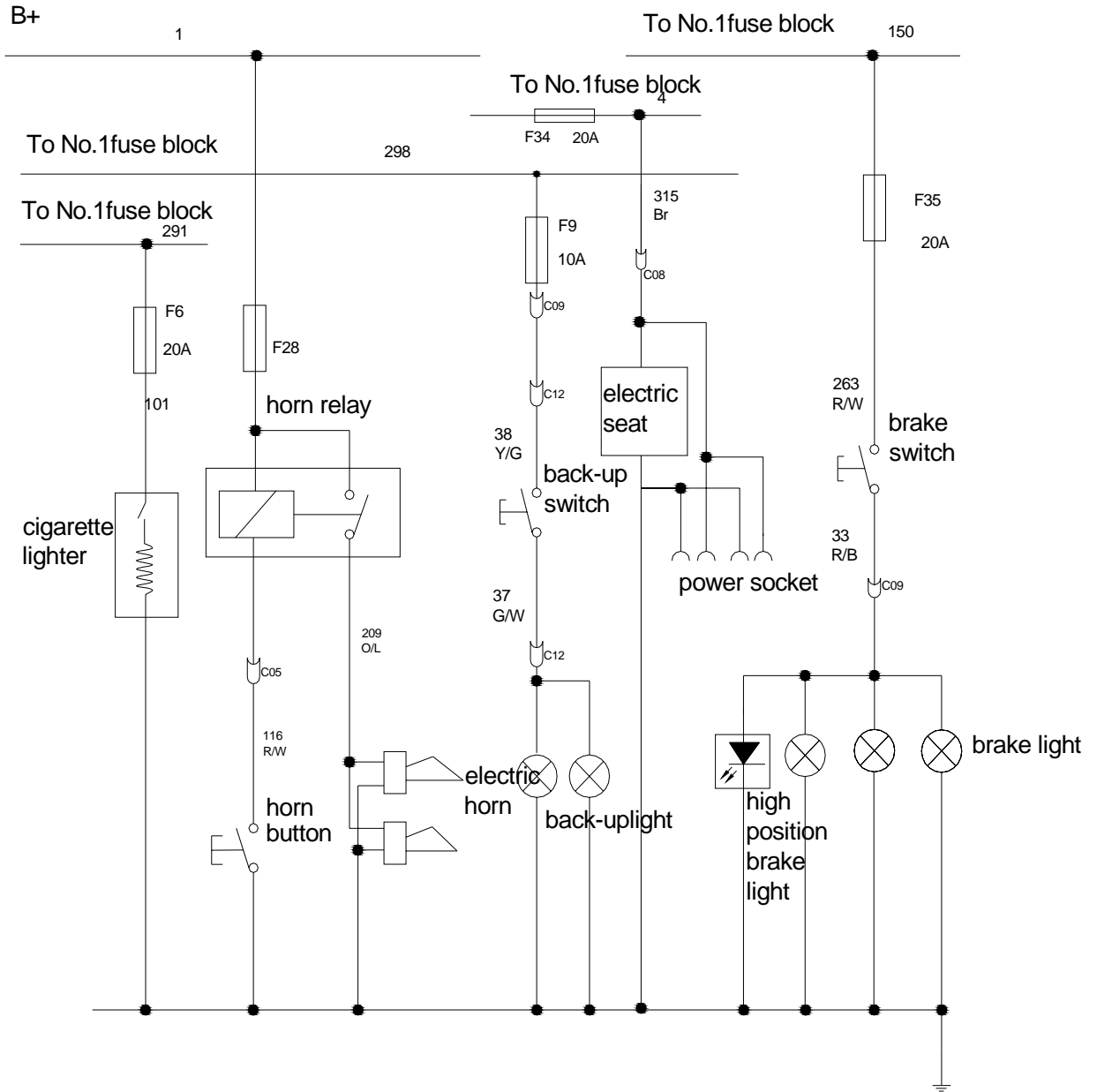
rear washer motor

191 G/R
50 B

rear wiper motor

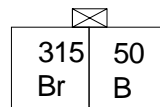
8 O/G	30 Y/L
32 O	50 B

# Bake-up、 stop lamp& assistant system



to horn

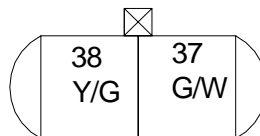
electric seat connector



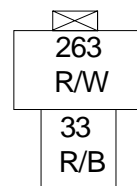
combination switch

116 R/W	190 G/R	X		187 L/W	31 O/L
184 Gr/B	182 Y	380 L/Y	186 Lg	187 L/W	31 O/L

back-up switch

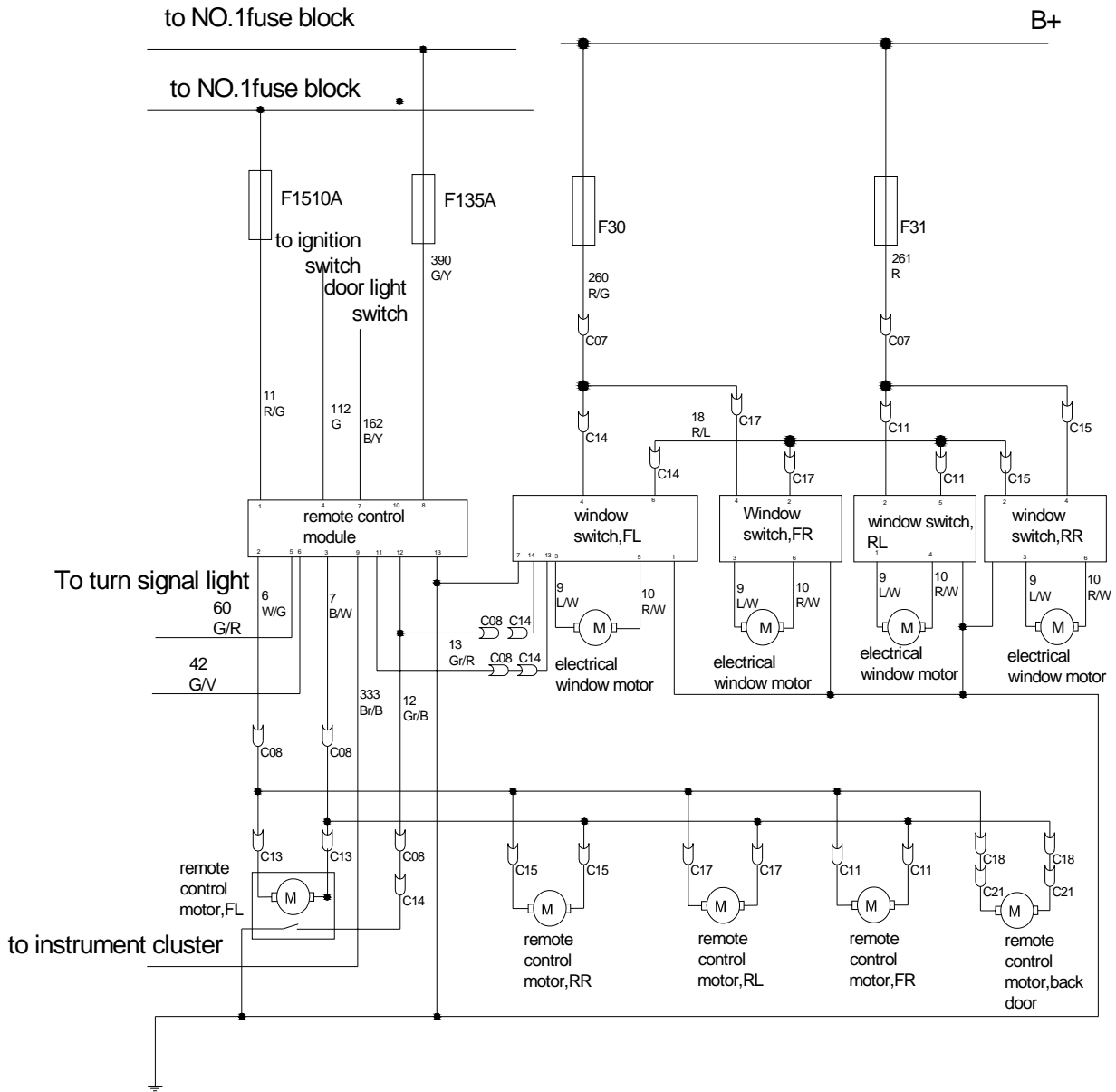


brake switch





# central control lock、electric windows system



remote control module

42 G/V	60 G/R	112 G		7 B/W	6 W/G	11 R/G
50 B	12 Gr/B	13 Gr/R		333 Br/B	390 G/Y	162 B/Y

window motor

9 L/W
10 R/W

door switch ,FR

9 L/W	50 B		261 R	10 R/W
	50 B			18 R/L

remote control motor



remote control

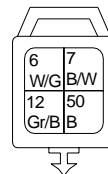
door switch ,FL

18 R/L	9 L/W	260 R/G		10 R/W	50 B
	12 Gr/B				50 B

door switch,RL

18 R/L		
10 R/W	50 B	260 R/G
		9 L/W

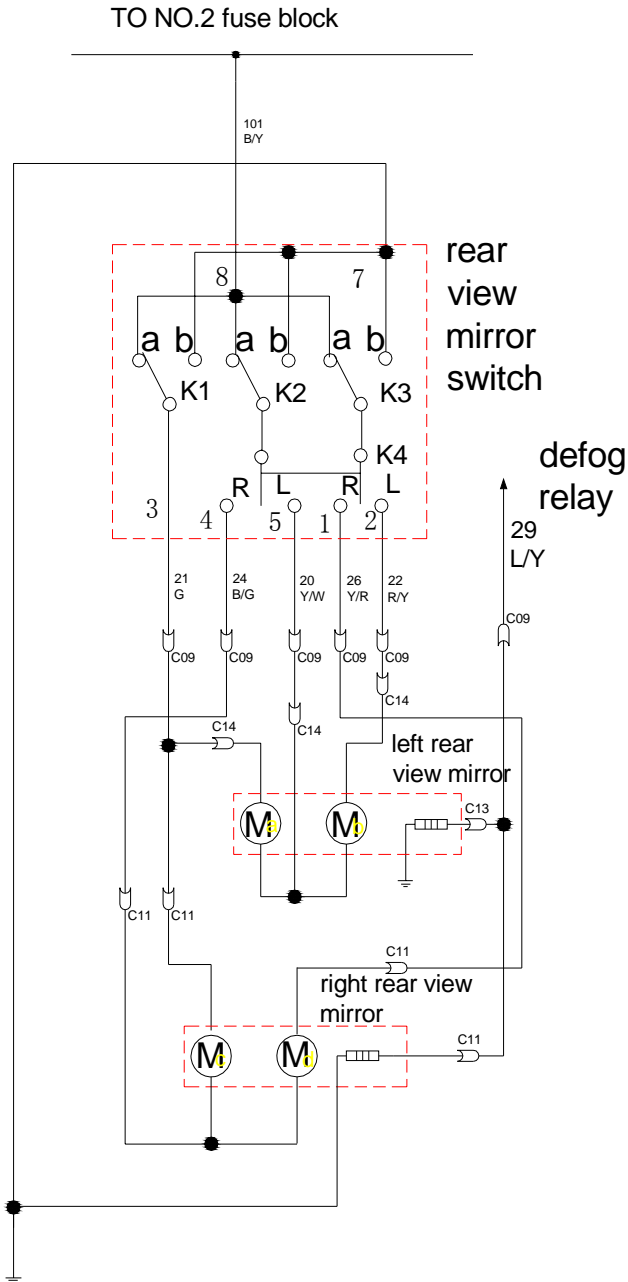
motor,FL



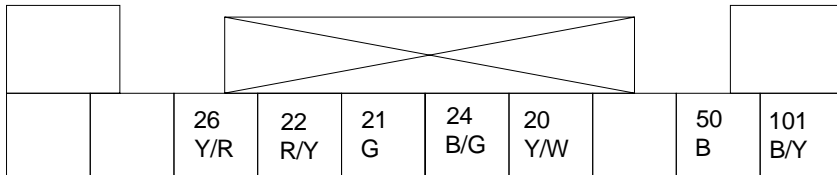
door switch,RR

18 R/L		
10 R/W	50 B	261 R
		9 L/W

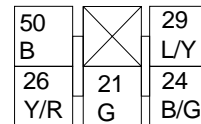
# electric\_rearview mirror system



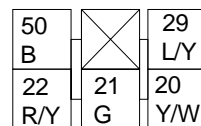
electric rear view mirror switch



rear view mirror, right front door

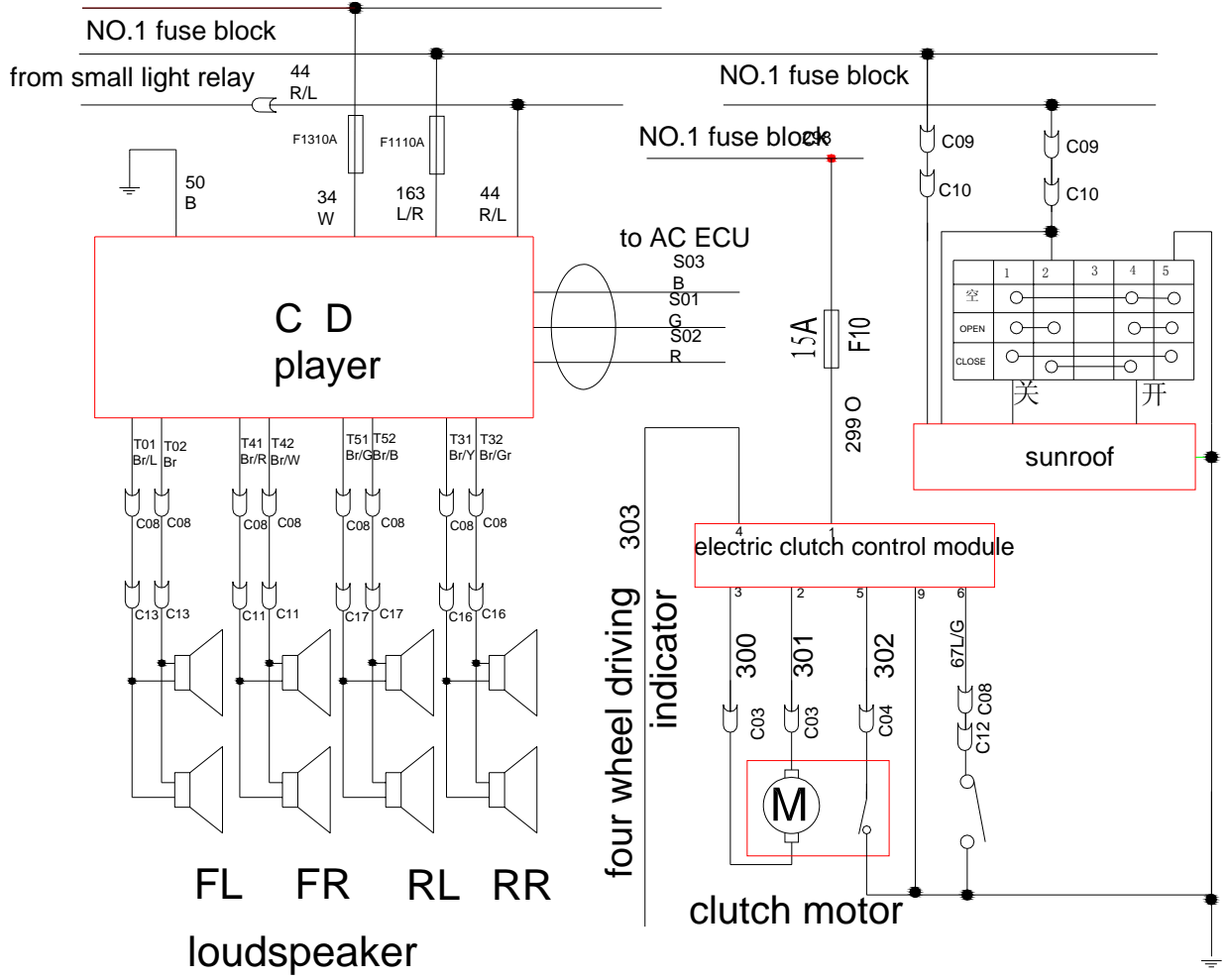


rear view mirror, left front door

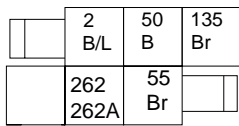


# cassette、skylight&electric-clutch system

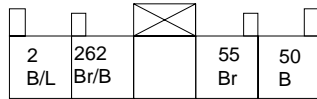
TO NO.1 fuse block



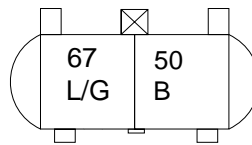
sunroof ECU



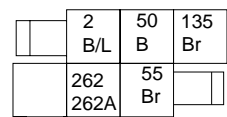
sunroof switch



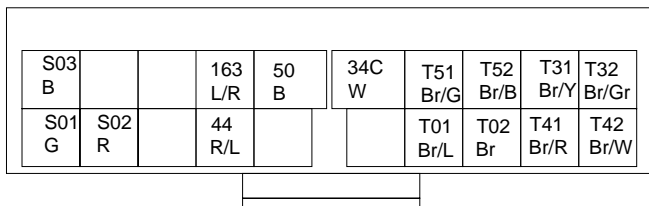
four wheel drive switch



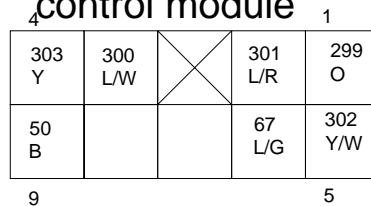
sunroof ECU



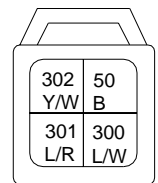
CD player



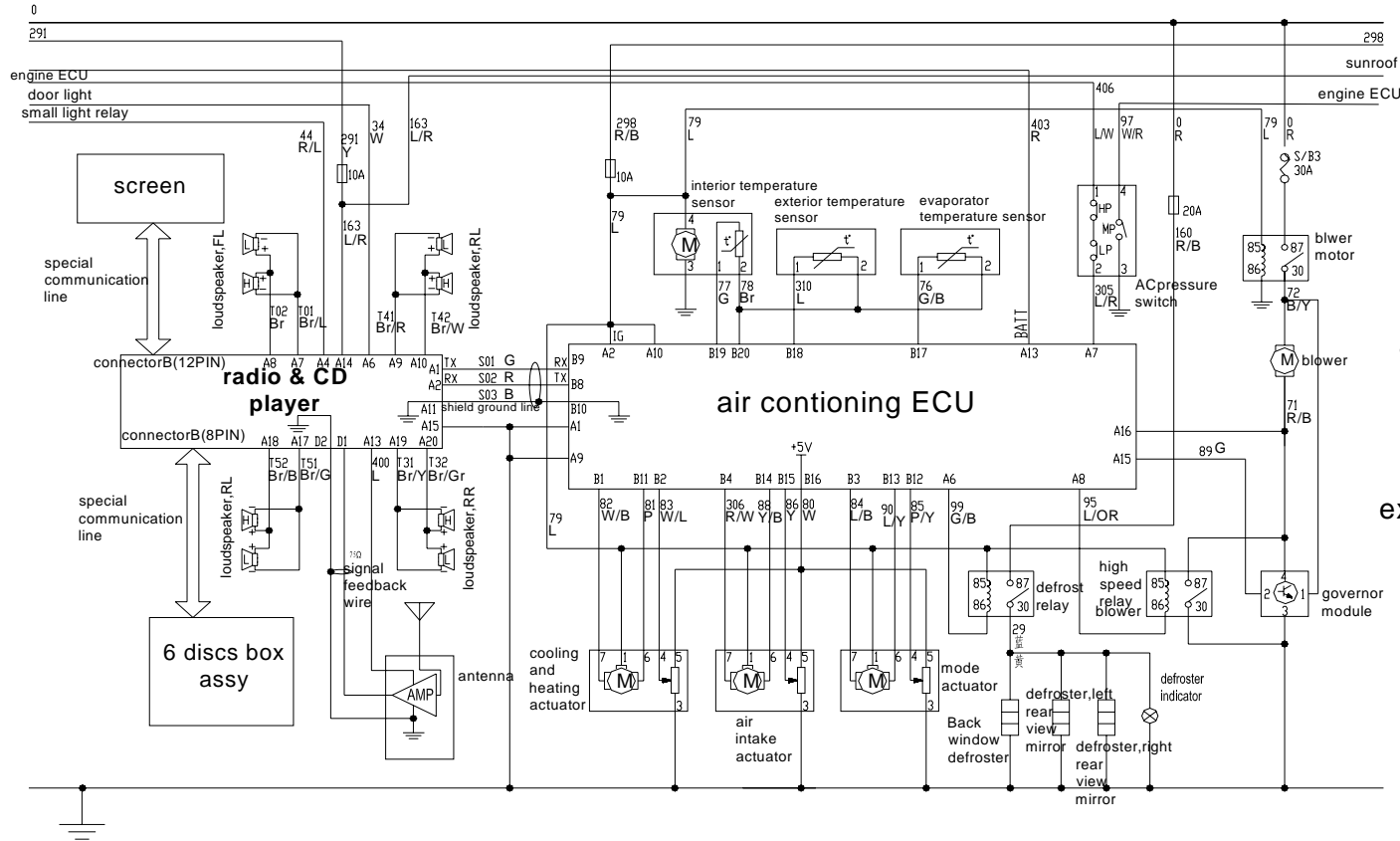
electric clutch control module



clutch motor



# Air conditioning & audio system



**CD-H063**  
cooling and heating actuator

50AB	78A
0.5	0.5
B	L
81	80C
0.5	0.5
W/B	W
P	W/L

**CD-H063**  
mode actuator

50AC	79B
0.5	0.5
B	L
81	80A
0.5	0.5
L/B	W
L/V	O/V

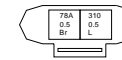
**CD-H063**  
air intake actuator

**blower motor**  
CD-H080

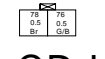
50M	79C
0.5	0.5
B	L
306	88
0.5	0.5
R/W	V/W
	Y



**CD-H082**  
exterior temperature sensor



**CD-H089**  
evaporator temperature sensor



**CD-H014**  
interior temperature sensor

77	78A	50V	79C
0.5	0.5	0.5	0.5
G	Br	B	L

**CD-H016**  
AC ECU connector 1

82	83	84	306			502	501	503
0.5	0.5	0.5	0.5			0.5	0.5	0.5
V/B	L/L	L/B	R/W			R	G	B
81	85	90	88	86	80	76	77	78
0.5	0.5	0.5	0.5	0.5	0.5	0.5	0.5	0.5
P	P/Y	L/Y	Y/B	Y	W	G/B	L	Br

**AC ECU connector 2**  
CD-H015C2A

50	79		99	305	95
0.5	0.5		0.5	0.5	0.5
B	L		G/R	L/R	L/D
A50	A79		403A	89	71
0.5	0.5		0.5	0.5	0.5
B	L		R	G	R/B

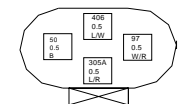
**CD player**  
CD-H083

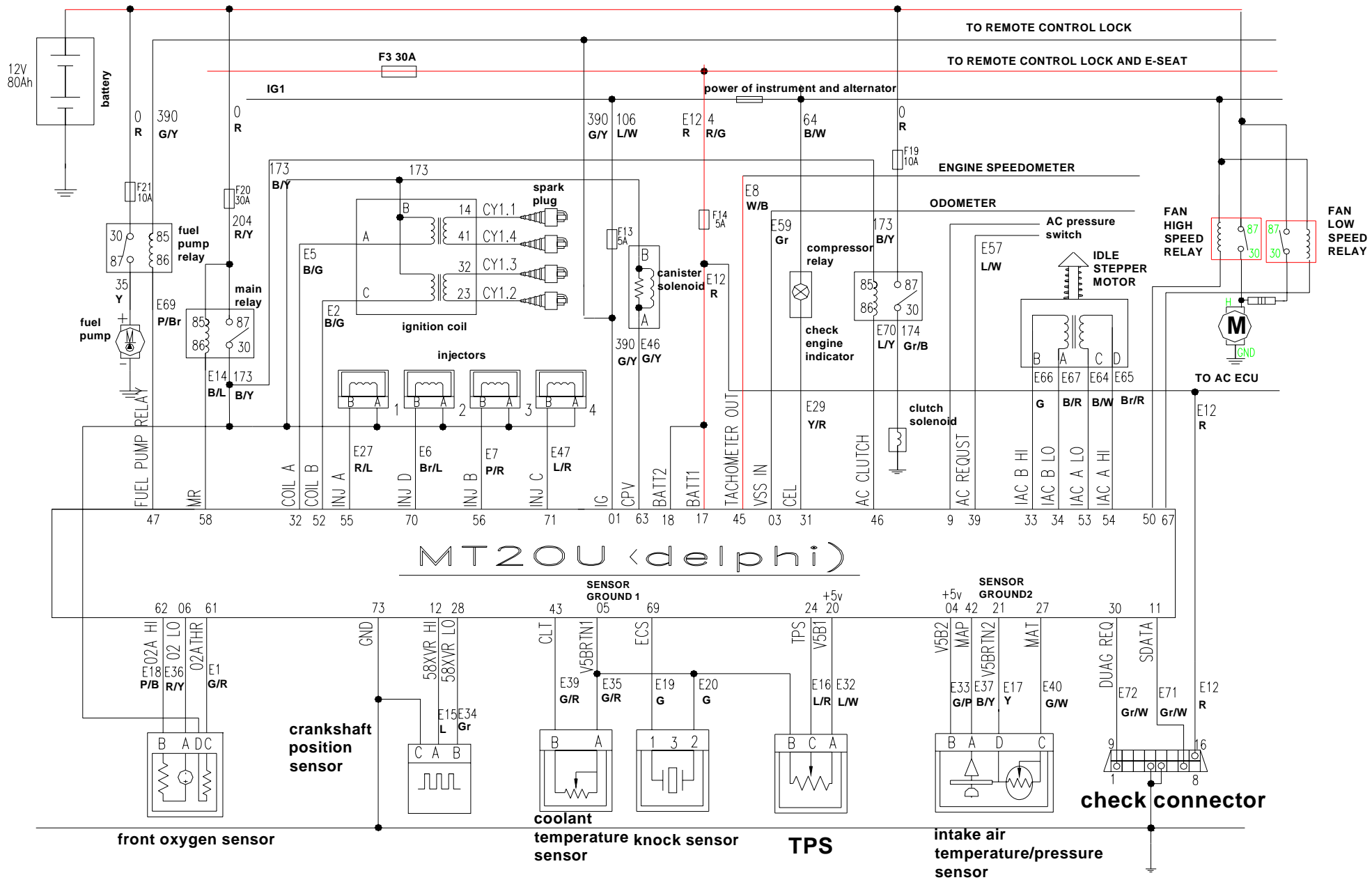
S01	S02	A44	T01	T02	T41	T42
0.5	0.5	0.5	0.5	0.5	0.5	0.5
G	R	R/L	Br/L	Br	Br/R	Br/W
S03		400	163	B50	34C	151
0.5		0.5	0.85	0.85	1.25	0.5
B		L	L/R	B	V	Br/G
						152
						0.5
						Br/B
						Br/Y
						Br/Gr

**CD-H095**  
governor module

**AC pressure switch**  
CD-H053

89	72A
0.5	1.25
0	Br/Y
77A	50N
1.25	1.25
R/B	B





## DELPHI MT20-U ECU PIN DEFINITION:

PIN	FUNCTION	DESCRIPTION
J 1 - 1	I G N	Ignition switch
J 1 - 2		
J 1 - 3	V S S	Vehicle speed sensor
J 1 - 4	V5B2	5V supply #2
J 1 - 5	V5BRTN1	5V ground #1
J 1 - 6	O <sup>2</sup> LO	O <sup>2</sup> sensor low
J 1 - 7		
J 1 - 8		
J 1 - 9	ELOAD2(-)	Electrical load2 (low active )
J 1 - 1 0		
J 1 - 1 1	SDATA	Serial data
J 1 - 1 2	58XVRHI	58X signal High
J 1 - 1 3		
J 1 - 1 4		
J 1 - 1 5		
J 1 - 1 6		
J 1 - 1 7	BATTERY1	BATTERY POWER 1
J 1 - 1 8	BATTERY2	BATTERY POWER 2
J 1 - 1 9		
J 1 - 2 0	V5B1	5V supply #1
J 1 - 2 1	V5BRTN2	5V ground #2
J 1 - 2 2		
J 1 - 2 3		
J 1 - 2 4	TPS	Throttle position sensor
J 1 - 2 5		
J 1 - 2 6	F_EVAP	Front evap temp.sensor
J 1 - 2 7	MAT	Manifold air temp.sensor
J 1 - 2 8	58XVRLO	58X signal low
J 1 - 2 9		
J 1 - 3 0	DIAGNOQ	Diagnostic request
J 1 - 3 1	CEL	Check engine light
J 1 - 3 2	Coil a	Coil driver a
J 1 - 3 3	IACBHI	STEPPER MOTOR B--HIGH
J 1 - 3 4	IACBLO	STEPPER MOTOR B---LOW
J 1 - 3 5		
J 1 - 3 6		
J 1 - 3 7		
J 1 - 3 8		

针脚	定义	定义说明
J 1 - 3 9	<b>AC REQ(+)</b>	<b>AC request (high active )</b>
J 1 - 4 0		
J 1 - 4 1		
J 1 - 4 2	<b>MAP</b>	<b>AIR PRESSURE SIGNAL</b>
J 1 - 4 3	<b>CLT</b>	<b>Coolant temp.sensor</b>
J 1 - 4 4		
J 1 - 4 5	<b>TN</b>	<b>Tachometer</b>
J 1 - 4 6	<b>AC CLUTCH</b>	<b>Ac clutch relay</b>
J 1 - 4 7	<b>FUEL PUMP</b>	<b>Fuel pump relay</b>
J 1 - 4 8		
J 1 - 4 9		
J 1 - 5 0	<b>FAN2</b>	<b>Radiator high speed fan</b>
J 1 - 5 1		
J 1 - 5 2	<b>COILB</b>	<b>Coil b driver b</b>
J 1 - 5 3	<b>IACALO</b>	<b>IACA low</b>
J 1 - 5 4	<b>IACAH1</b>	<b>IACA high</b>
J 1 - 5 5	<b>INJA</b>	<b>Injector cyl#1</b>
J 1 - 5 6	<b>INJB</b>	<b>Injector cyl#3</b>
J 1 - 5 7		
J 1 - 5 8	<b>MPR</b>	<b>Main power relay</b>
J 1 - 5 9		
J 1 - 6 0		
J 1 - 6 1	<b>O<sup>2</sup>AHTR</b>	<b>O<sup>2</sup>A heater control</b>
J 1 - 6 2	<b>O<sup>2</sup>AHI</b>	<b>O<sup>2</sup>A sensor high</b>
J 1 - 6 3	<b>ECP</b>	<b>Canister perge valve</b>
J 1 - 6 4		
J 1 - 6 5		
J 1 - 6 6		
J 1 - 6 7	<b>FAN1</b>	<b>Radiator low speed fan</b>
J 1 - 6 8		
J 1 - 6 9	<b>ESC</b>	<b>Knock sensor signal</b>
J 1 - 7 0	<b>INJD</b>	<b>Injector cyl# 3</b>
J 1 - 7 1	<b>INJC</b>	<b>Injector cyl# 4</b>
J 1 - 7 2		
J 1 - 7 3	<b>PWRGND</b>	<b>Power ground</b>

