

PANOZ GTS
Parts Manual



Table of Contents

Driveline4

Engine Accessories5

Cooling, Lubrication & Fuel6-7

Miscellaneous Parts8-9

Interior Body Panels10

Seat, Gauges & Switches11

Body Panels12-13

Front Suspension14-15

Rear Suspension16-17

Shifter Assembly18

Chassis Parts19-20

Chassis Accessories21-22

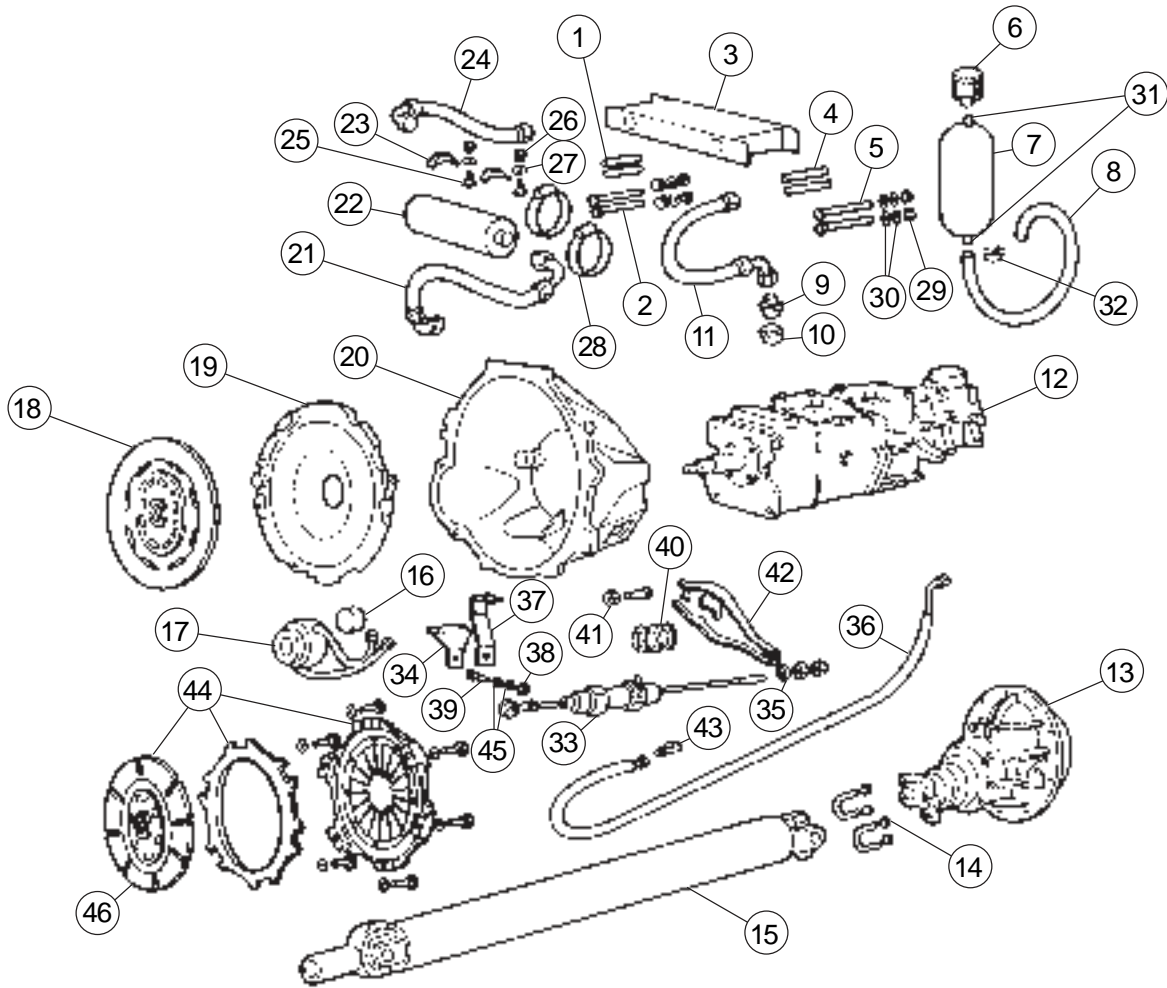
Fire Extinguisher & Heat Shields23

Front Crush Box & Roll Cage24

Hardware Listing25-26

Accessories & Electrical Parts27

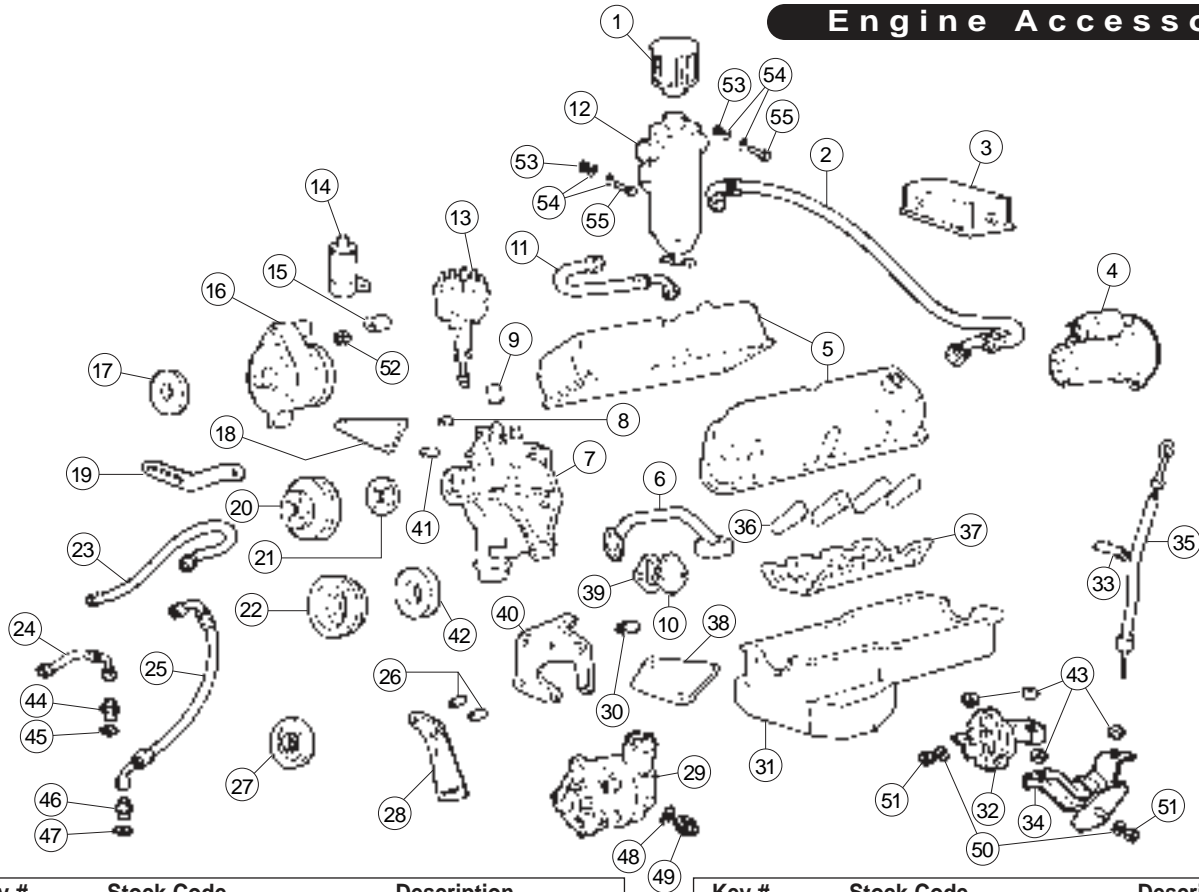
Drive Line Parts



Key #	Stock Code	Description
1	GTS9-3230	Diff Cooler Mount Bungs
2	GTR8-A245	1/4" - 20 x 7" HHCS
3	GTS9-3208	Differential Oil Cooler
4	GTS9-3230	Diff Cooler Mount Bungs
5	GTR8-A245	1/4" - 20 x 7" HHCS
6	GTS9-5116	K & N Filter for Differential
7	GTWC-9101	Surge Tank
8	GTR8-A154	Differential Vent Tubing - Clear
9	GTS9-3232	1/2 NPT to -8 AN Adapter
10	GTS9-3231	3/4 NPT - 1/2 NPT Bushing
11	GTS9-3235	Diff Hose, Cooler - Diff
12	GTS9-3101	Tremec 5-Speed with .83 OD
13	GTS9-3205	3.50 Differential with Pump
14	GTR8-3205	U-Joint Bolt Kit
15	GTS9-3203	Drive Shaft
16	GTS9-3119	Throw-Out Bearing Spacer
17	GTS9-3117	Hydraulic Throw-Out Bearing
18	GTS9-3116	Clutch Disc
19	GTS9-3120	Pressure Plate
20	GTS9-3115	Bell Housing
21	GTS9-3234	Diff Hose, Pump - Filter
22	GTS9-3236	In-Line Oil Filter
23	GTS9-3237	Filter Saddle
24	GTS9-3233	Diff Hose, Filter - Cooler

Key #	Stock Code	Description
25	PZR7-A143	10 - 32 x 3/4 Binding HD Phil MS
26	PZR7-A124	10 - 32 SAE Nyloc
27	PZR7-A585	#10 Flatwasher
28	PZR7-A471	Hose Clamp #32
29	PZR7-A069	1/4 - 20 USS Nyloc
30	PZR7-A109	1/4 Flatwasher
31	GTR8-A254	3/8 Hose Union
32	PZR7-A491	Hose Clamp #8
33	GTR0-3701	Slave Cylinder
34	GTR0-3715	Slave Cylinder Mount Part 2
35	GTR0-3716	Clutch Slave Cylinder Ball
36	GTR8-3704	Clutch Line
37	GTR0-3714	Slave Cylinder Mount Part 1
38	PZR7-A261	5/16 - 18 NYLOC
39	{ZR7-A256	5/16 - 18 x 1-1/4 HHCS
40	GTS3-3117	Throw-Out BRG - Q-Master
41	GTS3-3122	Ball Stud with Jam Nut
42	GTR8-3705	Clutch Fork
43	GTR8-A201	90 Degree -3 Fitting
44	GTS3-3115	Aluminum Clutch Package
45	GTR8-A077	5/16 Hardened Flat Washer
46	GTS3-3116	Clutch Disc
NS	GTR8-4002	1" Bore Master Cylinder

Engine Accessories

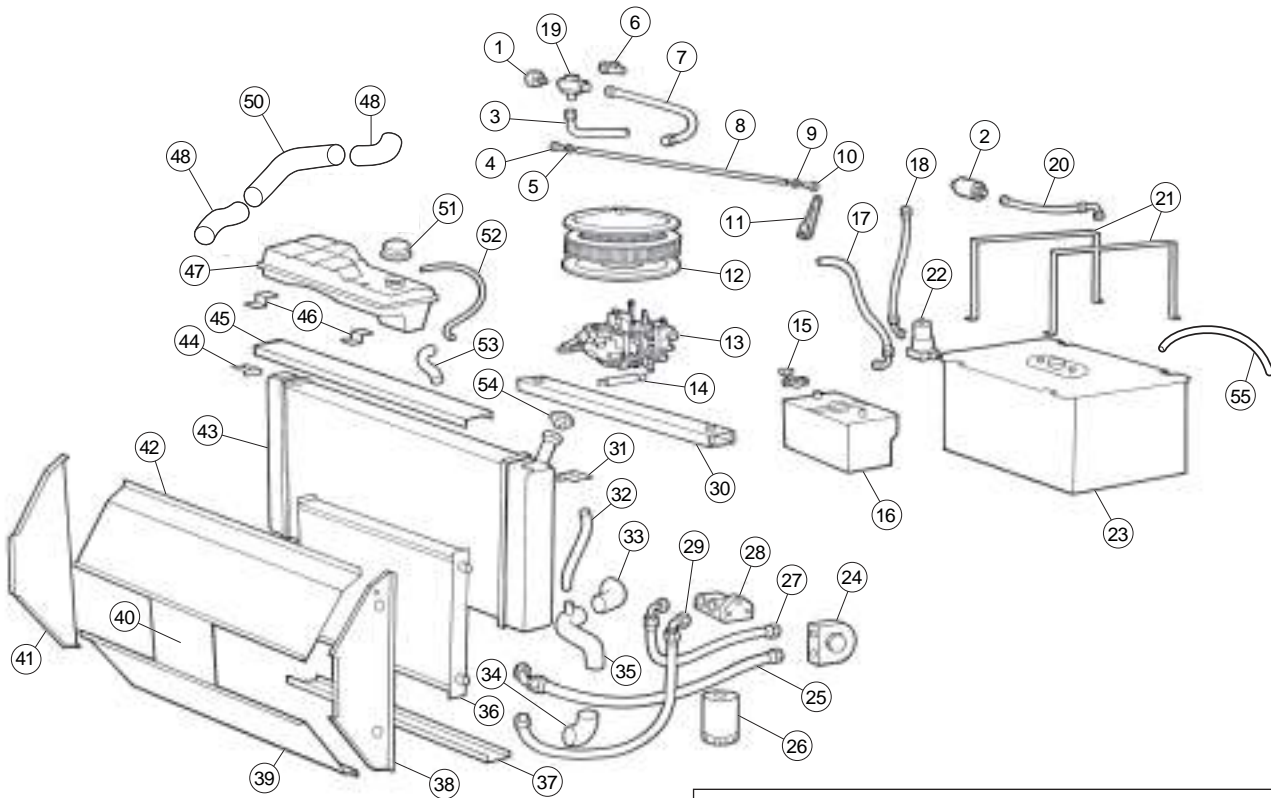


Key #	Stock Code	Description
1	GTS9-3091	Crank Case Vent Filter
2	GTS9-3067	Left Breather Hose – 37" 90° to 90°
3	GTS9-8216	MSD Ignition Box
NS	GTS9-8219	6200 RPM Module
4	GTS9-3051	Starter
5	GTS9-3031	Valve Cover Set, Modified
6	GTS9-3005	Oil Pick-up Tube
7	GTS9-3052	Water Pump
8	GTS9-3048	Alternator Bracket Spacer, Short
9	GTS9-3060	Heater Hose Cap
10	GTS9-3054	Fuel Pump Blocking Plate
11	GTS9-3066	Right Breather Hose – 19" 90° to ST
12	GTS9-3071	Engine Oil Catch Can (Custom)
13	GTS9-3082	Distributor
14	GTS9-3059	Ignition Coil, Blaster 2
15	GTS9-3049	Alternator Spacer, Large
16	GTS9-3055	Alternator
17	GTS9-3062	Horse Power Pulley Set, March
18	GTS9-3045	Alternator Bracket
19	GTS9-3046	Alternator Adjuster Bracket
20	GTS9-3062	Horse Power Pulley Set, March
21	GTS9-3078	Water Pump Pulley Spacer
NS	GTS9-3079	Power Steering Drive Belt
NS	GTS9-3061	V-Belt
NS	GTS9-3058	Plug Wire Set
NS	GTS9-8221	Spark Plugs
NS	GTS9-8222	Spark Plug Wire Holder
NS	GTS9-3002	5.8 Liter Engine Sub Assembly
22	GTS9-3062	Horse Power Pulley Set (March)
23	GTR8-5204	Return Hose – 24"
24	GTS9-5203	Rack to Cooler Hose
25	GTR8-5202	High Pressure Hose – 13"
26	GTS9-3073	Power Steering Pump Bracket Spacer
27	GTS9-3080	Power Steering Pump Pulley

Key #	Stock Code	Description
28	GTS9-3076	Power Steering Pump Slotted Bracket
29	GTR8-5205	Power Steering Pump
30	GTS9-3074	PS Pump Bracket Threaded Spacer
31	GTS9-3004	Oil Pan
NS	GTS9-3063	Oil Pan Bolt Kit
NS	GTS9-3006	Oil Pan Gasket
32	GTS2-3005*	Motor & Transmount Kit
33	GTR8-3020	Oil Dipstick Mount
34	GTS2-3005*	Motor & Transmount Kit
35	GTR8-3007	Oil Dipstick
36	GTR8-8204	Spark Plug Kool Sox
37	GTS9-3064	Windage Tray
NS	GTS9-3065	Hardware Kit, Windage Tray
38	GTS9-3075	Power Steering Pump Bracket, Head
39	GTS9-3024	Gasket Fuel Pump Block-off
40	GTS9-3077	Power Steering Pump Bracket, Ford
41	GTS9-3047	Alternator Bracket Spacer, Long
42	GTS9-3081	Crank Pulley Spacer (For March)
43	PZR7-6209	Seat Belt Spacer
NS	GTS9-3089	Intake Gasket Set
NS	GTS9-3090	Head Gasket Set
44	GTR8-A116	6 to 5/8 – 18 PS Fitting
45	GTR8-A142	16 mm Aluminum Crush Washer
46	GTR8-A005	Bulkhead 6
47	GTR8-A141	14 mm Crush Washer
48	GTR8-A142	16 mm Crush Washer
49	GTR8-A139	#6 Male to 16 x 1.5
50	PZR7-A188	14 mm Flat Washer
51	PZR7-A189	14 mm x 2.0 Nyloc
52	GTR8-A109	M6 Hex Nut
53	PZR7-A069	1/4 – 20 USS Nyloc
54	PZR7-A109	1/4 SAE Flat Washer
55	PZR7-A087	1/4 – 20 x 1-1/2 HHCS

* Sold in kit form only.

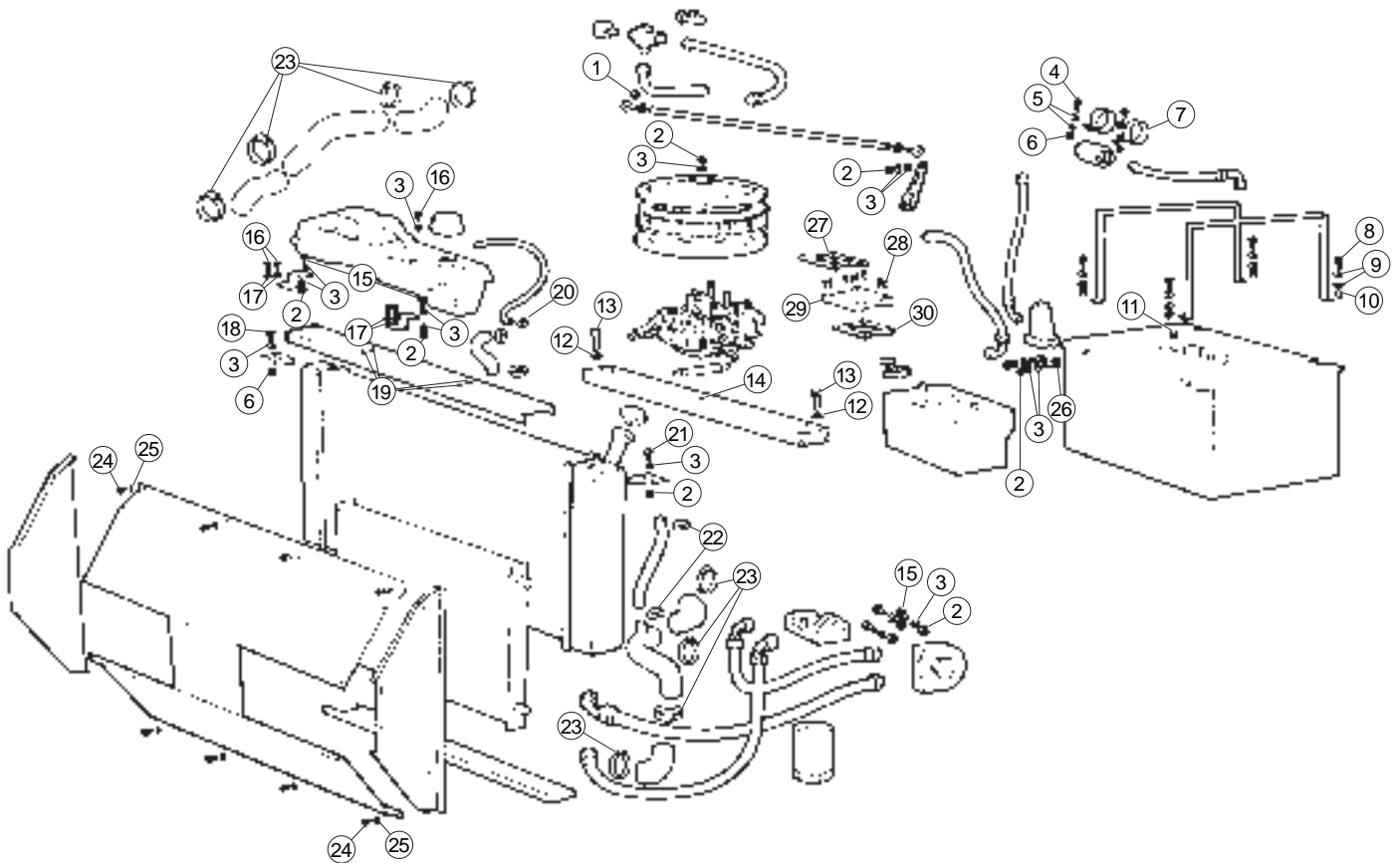
Cooling, Lubrication & Fuel



Key #	Stock Code	Description
1	GTS9-3323	Fuel Pressure Gauge
2	GTS9-3305	Fuel Filter
3	GTS9-3326	Fuel Hose, Pump – Regulator
4	GTR8-A240	Heim Joint, Accelerator, RH
5	GTR8-A242	1/4 – 28 Jam Nut, RH
6	GTR8-A158	#6 Gauge Adapter
7	GTS9-3327	Fuel Hose, Regulator – Carb
8	GTS9-6524	Accelerator Linkage Rod
9	GTR8-A243	1/4 – 28 Jam Nut, LH
10	GTR8-A241	Heim Joint, Accelerator, LH
11	GTS9-6520	Accelerator Bell Crank
12	GTS9-3501	Air Cleaner Assembly
13	GTS9-3302	Carburetor
NS	GTS9-3086	Throttle Spring Bracket
NS	GTS9-3087	Carb Base Gasket
14	GTR8-6504	Throttle Return Spring
15	GTR8-8152	Battery Terminal – Wing Nut
16	GTR8-8301	Battery
17	GTS9-3326	Fuel Hose, Pump – Regulator
18	GTS9-3325	Fuel Hose, Filter – Pump
19	GTS9-3311	Fuel Pressure Regulator
20	GTS9-3324	Fuel Hose, Tank – Filter
21	GTS9-3321	Fuel Cell Mount Strap (32 gal)
22	GTR0-3321	Fuel Pump, Mod. with Regulator
23	GTS9-3301	32 Gallon Fuel Cell
24	GTR8-3021	Remote Filter Adapter
25	GTS9-3069	Oil Hose, Cooler – Engine
26	GTS9-3008	Oil Filter
27	GTS9-3070	Oil Hose, Engine – Filter
28	GTR8-3010	Remote Filter Kit
29	GTS9-3068	Oil Hose, Filter – Cooler
30	GTS9-5059	Front Tie Brace Sub

Key #	Stock Code	Description
31	GTR8-1713	Upper Radiator Mount, Left
32	PZR7-3417	CRV Hose to Radiator
33,34	GTR8-3404	Lower Radiator Hose
35	GTR8-3419	Lower Radiator Pipe
36	GTS9-3401	Oil Cooler
37	GTS9-3437	Radiator Shroud Mounts
38	GTS9-3434	Radiator Shroud – Left Panel
39	GTS9-3433	Radiator Shroud – Bottom
40	GTS9-3436	Radiator Shroud – Divider
41	GTS9-3435	Radiator Shroud – Right Panel
42	GTS9-3432	Radiator Shroud – Top Panel
NS	GTS9-3438	Sub Assembly
43	GTR8-3402	Radiator
44	GTR8-1714	Upper Radiator Mount, Right
45	GTS9-3437	Radiator Shroud Mounts
46	GTR8-3420	Coolant Bottle Bracket – Front
47	PZR7-3411	Coolant Recovery Bottle
48	GTS9-3404	Upper Radiator Hose
49	GTS9-3442	High Pressure Radiator Cap
50	GTS1-3449	Upper Radiator Pipe, Painted
51	PZR7-3412	Cap Assembly (CRB)
52	PZR7-A130	3/8" Fuel Line
53	GTR8-3411	By-pass Hose
54	GTR8-3416	Radiator Cap
NS	GTS9-3328	-6 to 3/8 NPT Adapter for Fuel Pump Reg
NS	PZR7-3426	Spacer (coolant MTG Bracket)
NS	GTS9-3440	Lower Pipe with Nipple
NS	GTS9-3442	High Pressure Radiator Cap
NS	GTS9-3443	Fan Mount, Driver Side
NS	GTS9-3444	Fan Mount, Pass Side
NS	GTS9-3445	Fan Mount Bolt
NS	GTS9-3447	GTS Fan Kit
55	GTR8-3313	Fuel Vent Hose – 5 feet

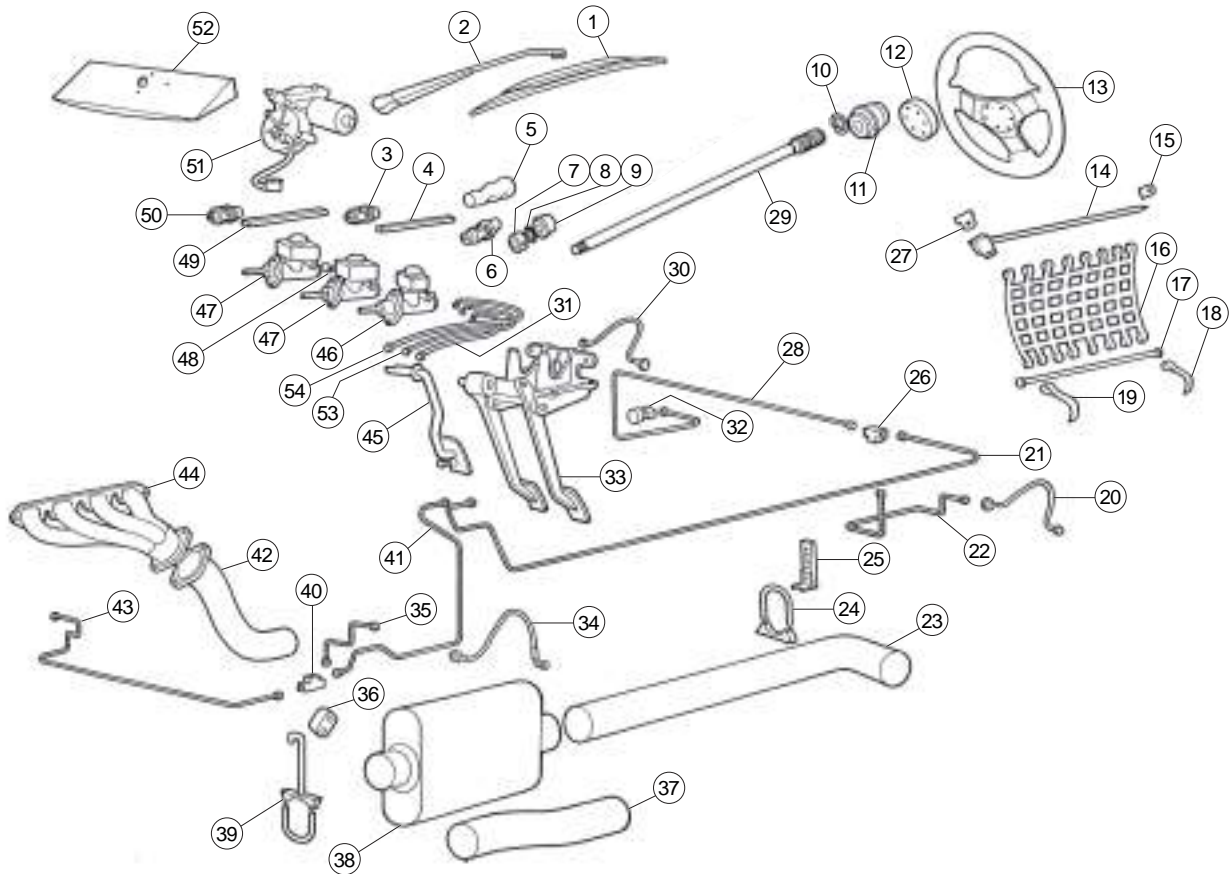
Cooling, Lubrication & Fuel Hardware



Key #	Stock Code	Description
1	GTR8-A040	1/4 - 28 Nyloc
2	PZR7-A069	1/4 - 20 USS Nyloc
3	PZR7-A109	1/4 SAE Flat Washer
4	PZR7-A143	10 - 32 x 3/4 Binding HD Fill MS
5	PZR7-A697	#10 SAE Flat Washer
6	PZR7-A124	10 - 32 SAE Nyloc
7	GTR8-A255	1" Adel Clamp
8	GTR8-A227	5/16 - 18 x 1 HHCS Grade 8
9	PZR7-A696	5/16 Flat Washer (SAE)
10	PZR7-A261	5/16 - 18 Nyloc
11	GTS9-A070	-6 Cap
12	GTR8-A074	AN Washer 1/2 x 7/8 x .06
13	GTR8-A261	1/2 - 13 x 2 1/2 HHCS
14	PZR7-A067	1/4 - 20 Nutsert
15	PZR7-A030	1/4 - 20 x 1 HHCS
16	PZR7-A710	10 - 32 - 5/8 BHCS (Black)
17	GTR8-A129	3/16 x 1/2 x 1/16 Rivet Washer
18	PZR7-A087	1/4 - 20 x 1-1/2 HHCS

Key #	Stock Code	Description
19	PZR7-A125	10 - 32 Nutsert
20	PZR7-A479	Hoseclamp #4
21	PZR7-A087	1/4 - 20 x 1-1/2 HHCS
22	PZR7-A475	Hose Clamp #12
23	PZR7-A477	Hose Clamp #24
24	PZR7-A139	10 - 32 x 1/2 Binding HD Phil MS
25	PZR7-A193	3/16 USS Wide Band Flat Washer
26	PZR7-A103	1/4 - 20 x 1-1/2 HHCS
27	GTS3-3013	Carb Gasket 4-Hole
28	GTS3-3015	Carb Studs for 1/2" Spacer
29	GTS3-3014	Carb Spacer 1/2" 4-Hole
NS	GTS3-3010	Carb Spacer 1" 4-Hole
NS	GTS3-3011	Stud Kit for Carb Spacer 1"
30	GT33012	Carb Gasket Open Base

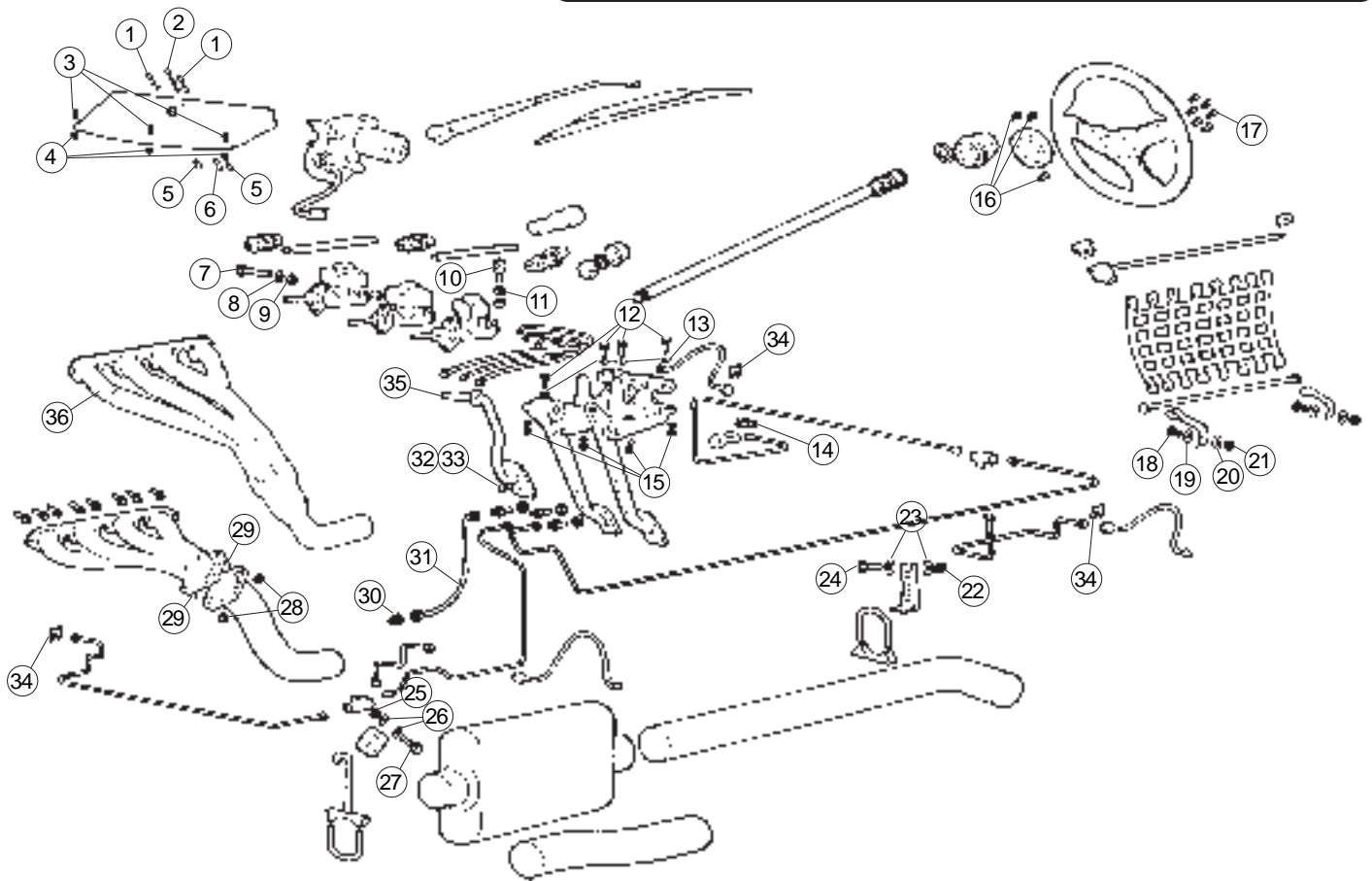
Miscellaneous Parts



Key #	Stock Code	Description
1	GTR8-9003	Wiper Blade
2	GTR8-9002	Wiper Arm
3	GTWC-5308	3/4" DD x 3/4" DD Universal
4	GTS9-5320	11" Steering Shaft – Upper
5	GTS9-R056	1-1/2" Fire Sleeve
6	GTR8-5313	3/4–36x3/4 Double D Universal Joint
7	GTR8-5311	Shaft Collar
8	GTR8-A098	Snap Ring
9	GTR8-1637	Steering Column Bearing Bung
10	GTR8-A098	Snap Ring
11	GTR8-5301	Quick Release Steering Hub
12	GTR8-5302	Steering Wheel Spacer
13	GTR8-5310	Steering Wheel
14	GTR8-9103	Window Net Kit – Modified
15	GTR8-1652	Window Net Mount Tab
16	GTR8-9101	Window Net
17	GTR8-9103	Window Net Kit – Modified
18	GTR8-9104	Window Net Strap 6-1/2"
19	GTR8-9105	Window Net Strap 7-1/2"
20	GTR8-4103	Left Rear Line – 19"
21	GTR8-4109	Fire Wall to Rear Tee
22	GTR8-4114	Tee to Left Rear
23	GTS9-3603	Tail Pipe – SCCA
24	GTS9-3612	Exhaust Clamp 2" HD
25	GTR9-3609	Exhaust Hanger w/ Angle Bracket
26	PZR7-A447	Brake Tee
27	GTR8-1659	Window Net Buckle Plate
28	GTR8-4113	Tee to Right Rear
29	GTWC-5317	Primary Shaft – Modified
30	GTR8-4102	Right Rear Line – 19"

Key #	Stock Code	Description
31	GTR8-4106	Fire Wall to Cylinder – 24"
32	GTR8-8107	Brake Light Switch
33	GTR8-6503	Pedal Box
NS	GTS9-6506	Pedal Box with Master Cylinder Sub
34	GTR8-4101	(2) Front Lines – 17"
35	GTR8-4112	Tee to Front Left
36	GTR9-3611	Donut-Style Rubber Hanger
37	GTS9-9309	Muffler Elimination Pipe
38	GTS9-3601	Muffler, Flowmaster
NS	GTR9-3610	"J" Bar Exhaust Hanger (8" OAL)
39	GTS9-3611	"J" Bar Exhaust Clamp Mod.
40	PZR7-A447	Brake Tee
41	GTS9-4110	Brake Line, Firewall to Front Tee
42	GTS9-3605	Header Pipe – Left – SCCA
NS	GTS9-3606	Header Pipe – Right – SCCA
NS	GTS9-3088	Exhaust Gasket Set
43	GTR8-4111	Tee to Front Right
44	GTS9-3602	Headers
45	GTS9-6523	Accelerator Pedal Weldment
46	GTR8-4004	3/4" Bore Clutch Cylinder
47	GTR8-4001	Brake Master Cylinder 7/8"
NS	GTR8-1657	Rear Master Cylinder Mount
48	GTR8-6508	Master Cylinder Mount Spacer
49	GTS9-5321	12" Steering Shaft, Lower
50	GTR8-5313	3/4–36x3/4 Double D Universal Joint
51	GTR8-9004	Wiper Motor – Modified
52	GTS9-2241	Wiper Motor Dog House, Top
53	GTR8-4104	Fire Wall to Cylinder – 20"
54	GTR8-4105	Fire Wall to Cylinder – 18"
NS	GTR8-4108	Brakeline Lock Clip
55	GTR8-4002	Brake Master Cylinder 1"

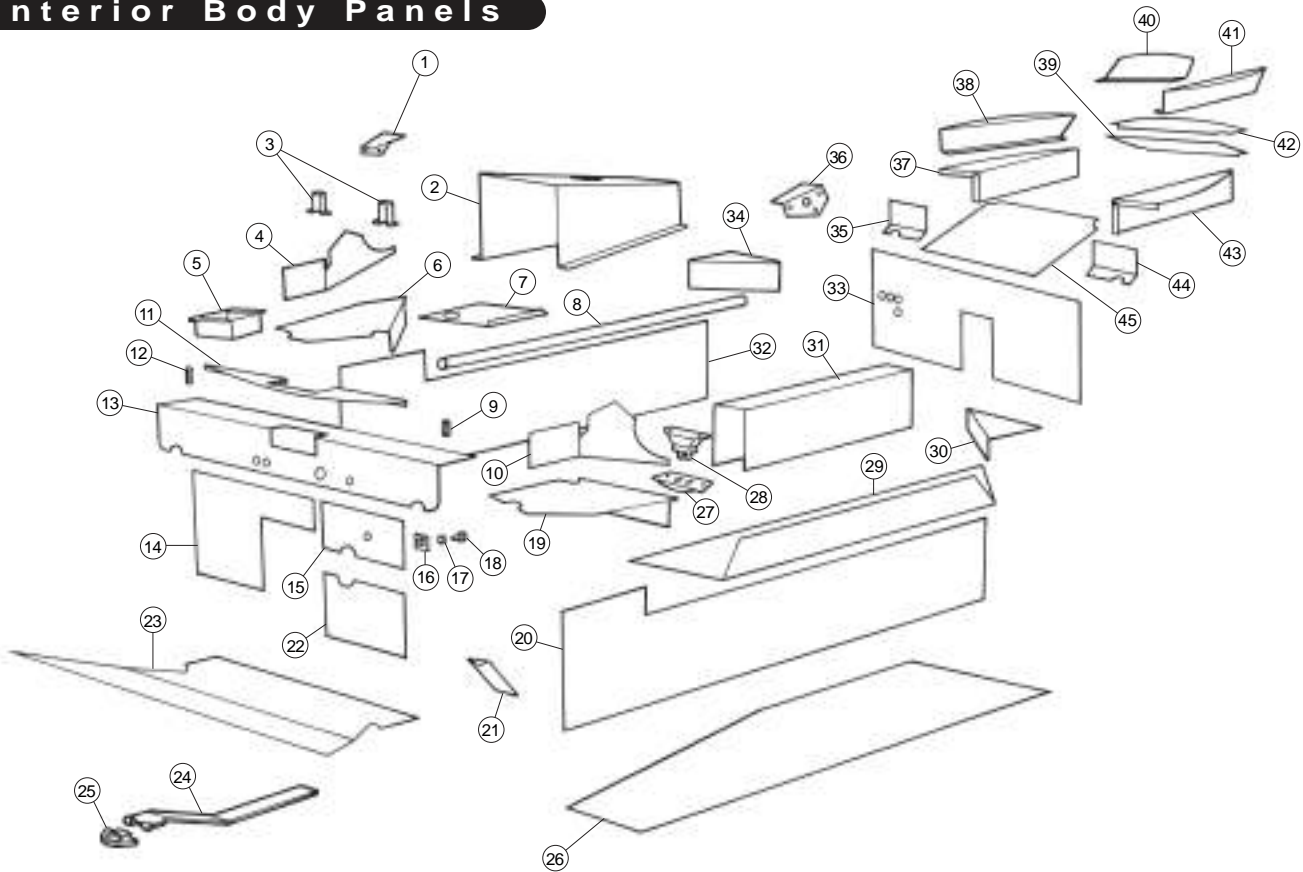
Miscellaneous Parts Hardware



Key #	Stock Code	Description
1	PZR7-A083	1/4 – 20 x 2H SHCS
2	GTR8-A167	1/4 – 20 x 2-1/2 SHCS
3	GTR8-A218	10 – 32 x 5/8" SS BHCS
4	GTR8-A219	10 – 32 SS Flange Nut
5	GTR8-1628	Wiper Motor Space (short)
6	GTR8-2135	Wiper Motor Spacer (long)
7	PZR7-A632	5/16 – 18 x 5-1/2 HHCS
8	GTR8-A177	AN Washer 5/16 x 5/8 x .06
9	PZR7-A261	5/16 – 18 Nyloc
10	GTR8-A032	Rod End 3/4 – 16 RH Male
11	GTR8-A036	3/4 – 16 Nut
12	PZR7-A256	5/16 – 18 x 1-1/4 HHCS
13	GTR8-A177	AN Washer 5/16 x 5/8 x .06
14	GTR8-A130	AN-3T with Female 1/8" NPT
15	GTR8-A038	5/16 – 24 Nyloc
16	GTR8-A112	5/16 – 18 x 3/4 CSFHCS
17	GTR8-A148	10 – 24 x 3/4 CSFHCS
18	PZR7-A030	1/4 – 20 x 1 HHCS

Key #	Stock Code	Description
19	PZR7-A107	1/4 x 1-1/4 Fender Washer
20	PZR7-A109	1/4 SAE Flat Washer
21	PZR7 A069	1/4 – 20 USS Nyloc
22	PZR7-A261	5/16 – 18 Nyloc
23	GTR8-A077	5/16 Harden Fender Washer
24	PZR7-A265	5/16 – 18 x 1-1/2 HHCS
25	PZR7-A261	5/16 – 18 Nyloc
26	GTR8-A077	5/16 Harden Fender Washer
27	PZR7-A277	5/16 – 18 x 2 HHCS
28	GTS9-3608	Exhaust Header Nut
29	GTS9-3607	Exhaust Header Stud
30	GTS9-A072	–3 to –4 Male Union
31	GTR8-4105	Firewall to Cylinder – 18"
32	GTR8-A167	1/2 – 20 x 2-1/2 SHCS
33	PZR7-A026	1/4 – 20 Hex Nut
34	GTR8-4108	Brake Line Lock Clip
35	PZR7-A463	Flanged BRNG (Symco) Hinge
36	GTS3-3602	Headers Long Tube

Interior Body Panels

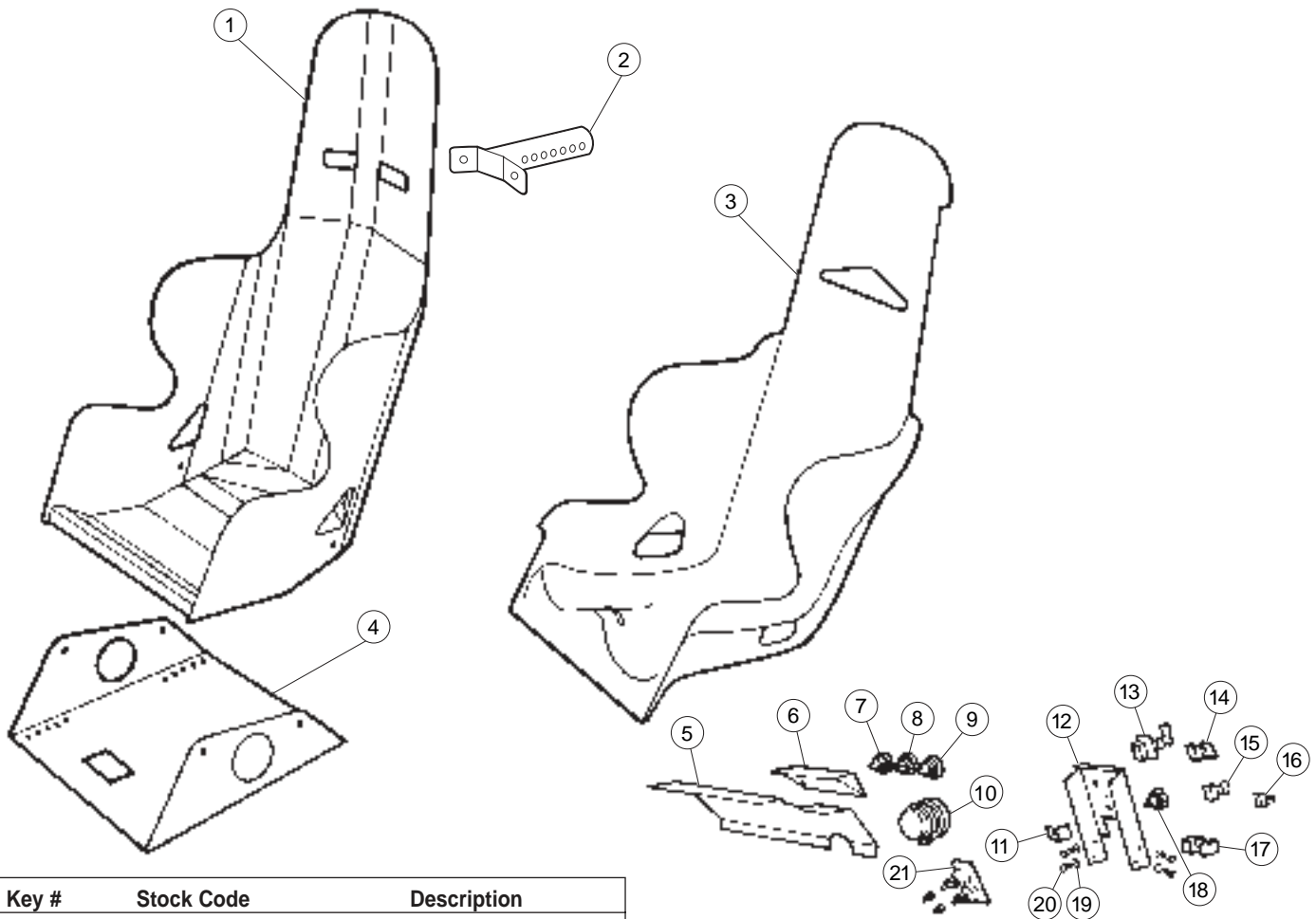


Key #	Stock Code	Description
1	GTR8-1646	Right Mirror Mount
2	GTR8-2217	Transmission Tunnel
3	GTS9-2125	Rear Hood Supports
4	GTR8-2210	Cowl Side Baffle
NS	GTR8-2234	Trans Tunnel w/ Heat Shield
5	GTR8-2232	Wiper Bucket
6	GTR8-2207	Front Door Sill CP – Pass.
7	GTR8-2228	Extinguisher Tray
8	GTS9-1674	Fuel Line Conduit
9	GTR8-A253	5/16-18 Coupling Nut
10	GTR8-2210	Cowl Side Baffle
11	GTR8-2202	Cowl – Roof Attachment
12	GTR8-A253	5/16-18 Coupling Nut
13	GTR8-2201	Cowl Panel
14	GTR8-2205	Fire Wall – Pass.
15	GTR8-2203	Upper Fire Wall – Driver
16	GTR8-6509	Pedal Stop – Modified
17	PZR7-A259	5/16-18 Nut
18	PZR7-A256	5/16-18 x 1-1/4 HHCS
19	GTR8-2206	Front Door Sill Cap – Driver
20	GTR8-2212	Interior Side Panel – Driver
21	GTR8-2216	Dead Pedal
22	GTR8-2204	Lower Fire Wall – Driver
23	GTR8-2233	Radiator Tray
24	GTS9-9121	Front Tow Strap Weldment
25	GTS9-9122	Front Tow Hook Weldment
26	GTR8-2215	Floor Pan

Key #	Stock Code	Description
27	GTR8-1613	Transmission X-Member
28	GTS2-3005*	Motor and Transmission Mount Kit
29	GTR8-2211	Upper Door Sill
30	GTR8-2208	Rear Door Sill Cap – Driver
31	GTR8-2218	Drive Shaft Tunnel
32	GTR8-2213	Interior Side Panel – Pass.
33	GTR8-2219	Rear Bulk Head
34	GTR8-2209	Rear Door Sill Cap – Pass.
35	GTR8-2222	Upper Door Jam – Right
36	GTR8-1647	Left Mirror Mount
37	GTR8-2224	Window Sill Corner – Right
38	GTS9-2238	Rear Fire Wall Panel – Right
39	GTR8-2226	Fuel Pump Mount Panel
40	GTS9-2236	Rear Fire Wall Panel – Center
41	GTS9-2237	Rear Fire Wall Panel – Left
42	GTR8-2225	Rear Windows Sill
43	GTR8-2223	Window Sill Corner – Left
44	GTR8-2221	Upper Door Jam – Left
45	GTR8-2220	Rear Window Valance
46	PZR7-A059	1/2 Flat Washer, Narrow Band
47	PZR7-A063	1/2 Lockwasher
48	PZR7-A005	1/2 – 13 x 1-1/2 HHCS
49	GTR8-A088	3/8 – 16 x 1 HHCS
50	PZR7-A248	3/8 SAE Flatwasher
51	PZR7-A207	3/8 – 16 Nyloc
52	PZR7-A207	3/8 – 16 Nyloc
53	PZR7-A087	1/4 – 20 x 1-1/2 HHCS
54	PZR7-A107	1/4 x 1-1/4 Fender Washer

* Sold in kit form only.

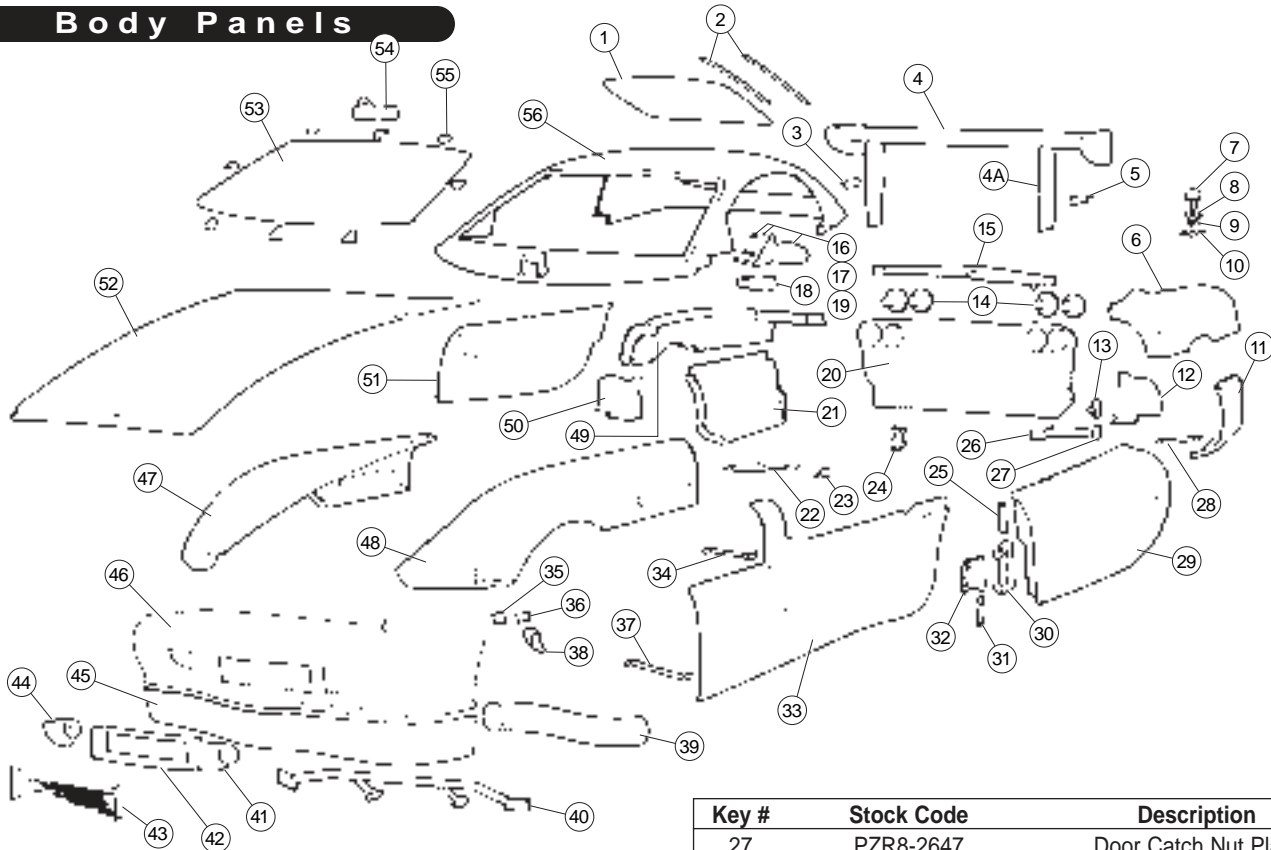
Seat, Gauges & Switches



Key #	Stock Code	Description
1	GTS9-6201A	14" Kirkey Seat
1	GTS9-6201B	15" Kirkey Seat
1	GTS9-6201C	16" Kirkey Seat
1	GTS9-6201D	17" Kirkey Seat
1	GTS9-6201E	18" Kirkey Seat
2	GTS9-6210	Seat Back Support Weldment
3	GTS9-6202A	14" Black Seat Cover
3	GTS9-6202B	15" Black Seat Cover
3	GTS9-6202C	16" Black Seat Cover
3	GTS9-6202D	17" Black Seat Cover
3	GTS9-6202E	18" Black Seat Cover
4	GTS9-6224	Seat Mount (with Tracks) 14"
4	GTS9-6225	Seat Mount (with Tracks) 15"
4	GTS9-6226	Seat Mount (with Tracks) 16"
4	GTS9-6227	Seat Mount (with Tracks) 17"
4	GTS9-6228	Seat Mount (with Tracks) 18"
NS	GTS9-6304	Seat Harness Bolt-in Kit
NS	GTS9-6203	5-Point Harness
NS	GTR8-A159	1/2 13 x 1-1/2 HHCS
NS	PZR7-A063	1/2 Lock Washer
NS	PZR7-A059	1/2 Flat Washer
NS	PZR7-a001	1/2 13 Nylok
5	GTS9-6003	Dash Panel with Gauge Hole

Key #	Stock Code	Description
6	GTS9-6001	Gauge Cluster Panel
NS	GTR0-2409	DZUS Fastener Button
NS	GTR0-2410	DZUS Fastener Spring
7	GTS9-6115	Gauge — Water Temperature
8	GTS9-6114	Gauge — Oil Temperature
9	GTS9-6113	Gauge — Oil Pressure
10	GTS9-6116	Tachometer
NS	GTS9-8217	GTS Tachometer Mod
NS	GTS9-8218	GTS Tach Oil PSI Gauge Loom
NS	GTS9-8008	Switch Panel Sub Assembly
11	GTS9-4004	Brake Bias Mount
12	GTR8-2227	Switch Panel
13	GTWC-8303	Battery Cut-off Switch
14	GTR8-6110	Ignition / Starter Switch
15	GTR8-6105	Push-Pull Switch
16	GTR8-6111	Toggle Switch
17	GTWC-8124	Fuse Holder
18	GTWC-6510	Brake Bias Adjuster
19	PZR7-A193	3/16 USS Wide Band Flat Washer
20	PZR7-A143	10 - 32 x 3/4 Binding HD Phil MS
21	GTS9-6118	Mini Brake Bias Gauge Set

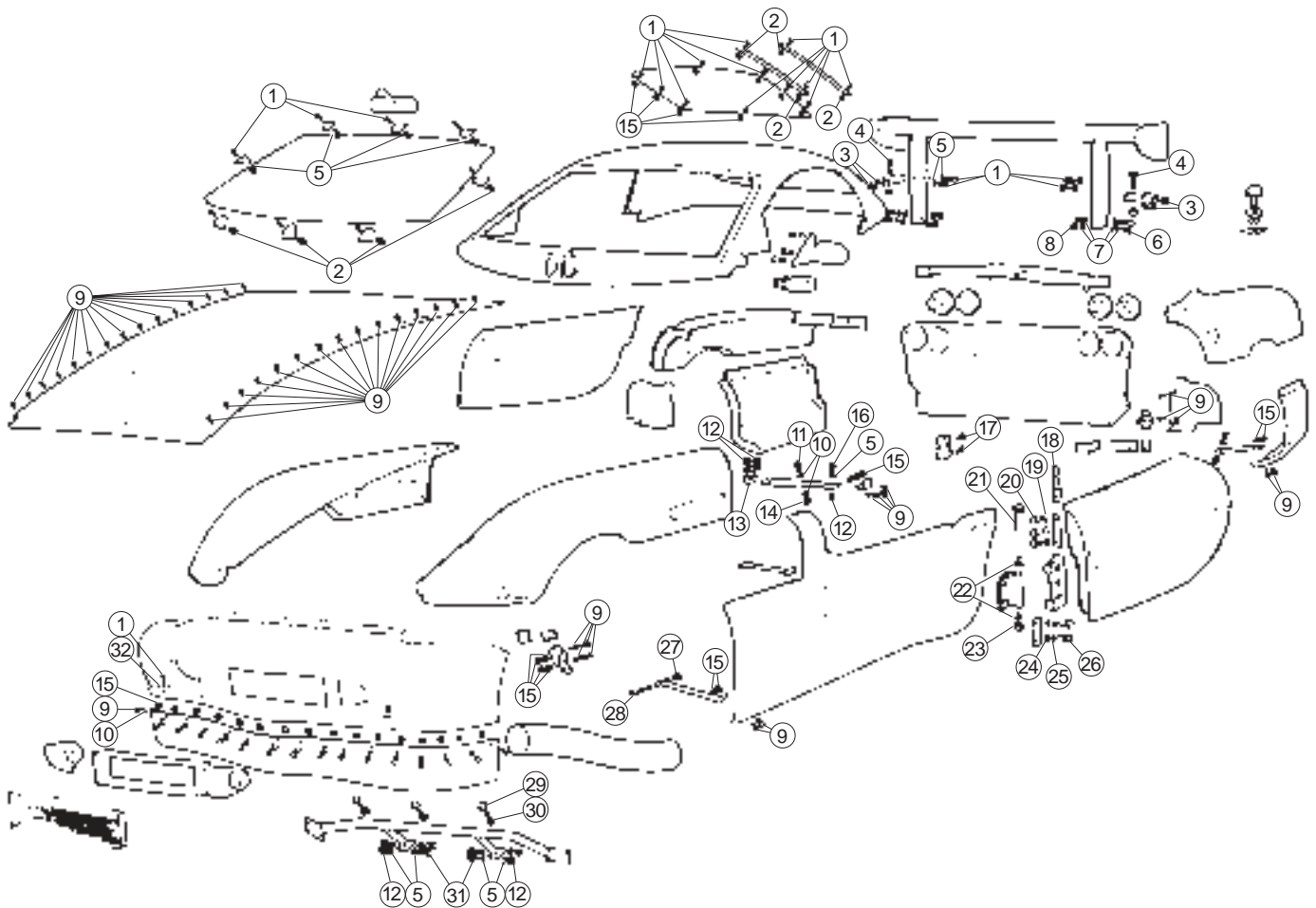
Body Panels



Key #	Stock Code	Description
1	GTR8-2608	Rear Glass – Modified
2	GTWC-2611	Rear Window Strap
3	GTS9-2126	Trunk To Wing Mount
4	GTS9-2029	Rear Wing Assembly
4A	GTS9-2134	Wing Mount (Extruded Wing)
5	GTS9-2126	Trunk To Wing Mount
6	GTS9-2003T	Fender, Rear Left
7	GTR8-A248	Screw, Southco Fast Thread
8	GTR8-A251	Rubber Washer
9	GTR8-A250	Retainer, Southco Fast Thread
10	GTR8-A249	Nut Plate, Southco Fast Thread
11	GTS9-2011	Fender, Lower Rear Left
12	GTS9-2021T	Door Jam Filler, Left
13	PZR8-2620	Door Striker
14	PZR7-2805	Tail Lights
NS	PZR7-8061	3-Way Lamp Socket
NS	PZR7-8065	2-Way Lamp Socket
15	GTS9-2016T	Trunk Lid
16	GTR8-A109	M6 Hex Nut
17	GTR8-2609	Mirror Spacer
18	GTS9-2610	Baby Turbo Mirror, Manual
19	GTR8-2607	Left Electric Rear View Mirror
NS	GTR8-2606	Right Electric Rear View Mirror
20	GTS9-2017T	Rear Bumper
21	GTS9-2012	Fender, Lower Rear Right
22	GTS9-2129	Body Mount Slider Tube, Inner
22	GTS9-2113	Body Mount Slider Tube, Outer
23	GTS9-2112	Side Latch Backing Plate
24	PZR8-2621	Door Latch
25	GTS9-2422	Door Nut Plate
26	GTS9-2429	Door Striker Brace, Left
NS	GTS9-2428	Door Striker Brace, Right

Key #	Stock Code	Description
27	PZR8-2647	Door Catch Nut Plate
NS	PZR7-2623	Inner Door Handle
28	GTS9-2127	Body Mount Arm #4
29	GTS9-2046	Left Door Sub Assembly
30	GTS9-2419	Hinge Weldment, Door Half
31	GTS9-2423	Hinge Nut Plate
32	GTS9-2420	Hinge Weldment, Car Half
33	GTS9-2009T	Rocker Panel, Left
NS	GTS9-2010	Rocker Panel, Right
34	GTS9-2132	Body Arm Weldments
35	GTS9-2430	Hood Latch Doubler Plate
36	GTS9-2401	Protex Catchbolt Body Latch
37	GTS9-2131	Body Arm Weldments
38	GTS9-2401	Protex Catchbolt Body Latch
39	GTR8-4207	Disc Brake Vent Tubing
40	GTS9-2130	Front Bumper Support
41	GTS9-2020T	Brake Duct, Left
42	GTS9-2018	Radiator Duct
43	GTR8-2302	Grill Screen – Modified
44	GTS9-2019T	Brake Duct, Right
45	GTR8-2034	Air Dam – Kydex
46	GTS9-2013T	Front Bumper
NS	GTS9-2025	Front Nose Sub Assembly
47	GTS9-2002T	Fender, Front Right
48	GTS9-2001T	Fender, Front Left
49	GTS9-2004T	Fender, Rear Right
50	GTS9-2021T	Door Jam Filler, Right
51	GTS9-2045	Right Door Sub Assembly
52	GTS9-2014T	Hood
53	GTR8-2601	Windshield
54	GTR8-2605	Rear View Mirror, Inside
55	GTWC-2610	Windshield Tab
56	GTS9-2015T	Roof
NS	GTS9-R055	Insulation Material

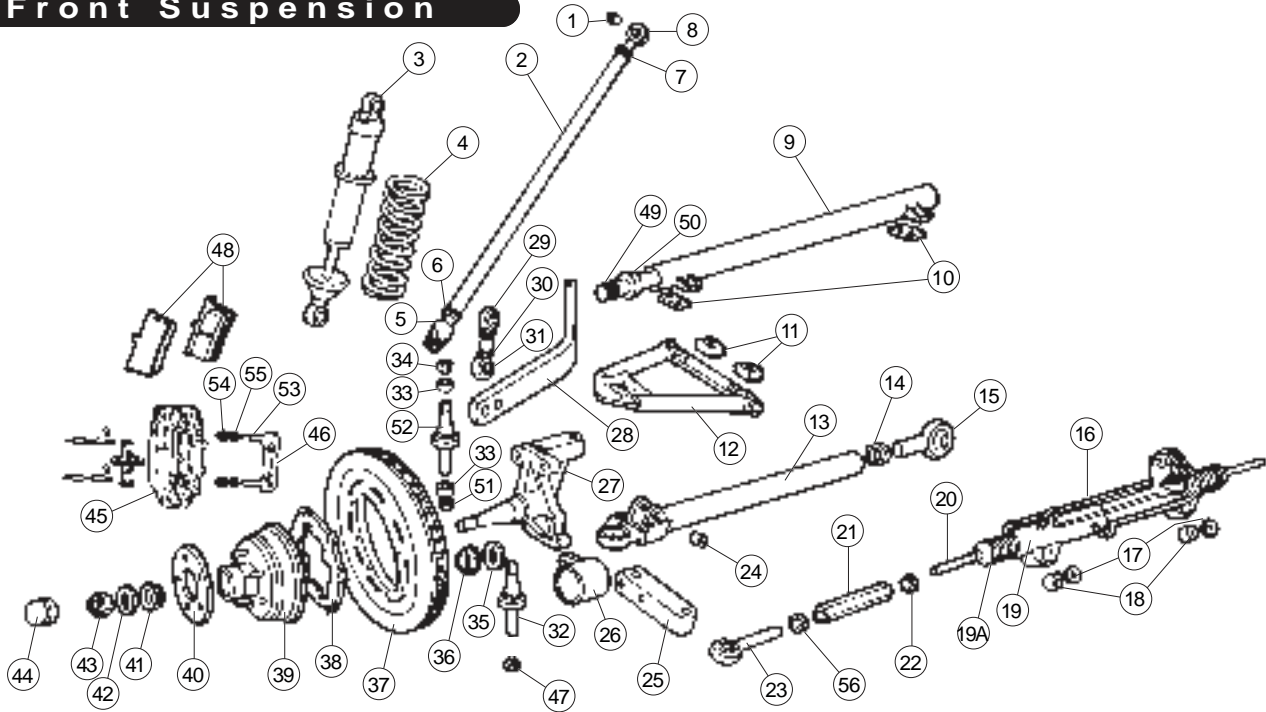
Body Panels Hardware



Key #	Stock Code	Description
1	GTR8-A136	1/4 - 28 x 1 BHCS
2	GTR8-A040	1/4 - 28 Nyloc
3	GTR8-A040	1/4 - 28 Nyloc
4	GTR8-A218	10 - 32 x 5/8" SS BHCS
5	PZR7-A109	1/4 SAE Flat Washer
6	GTR8-A207	5/16 - 24 x 3-1/4 HHCS
7	PZR7-A295	5/16 Flat Washer
8	GTR8-A038	5/16 - 24 Nyloc
9	GTR8-A218	10 - 32 x 5/8" SS BHCS
10	GTR8-A129	3/16 x 1/2 x 1/16 Rivet Washer
11	GTR8-A169	10 - 24 x 1 BHCS
12	PZR7-A069	1/4 20 Nyloc
13	GTR8-A224	5/16 - 24 x 1" SHCS
14	PZR7-A569	10 - 24 USS Nylon Lock Nut
15	GTR8-A219	10 - 32 SS Flange Nut
16	PZR7-A087	1/4 - 20 x 1-1/2 HHCS
17	PZR7-A396	8mm x 1.25 x 25mm SS BHCS

Key #	Stock Code	Description
18	GTS9-2421	Door Stiffener Plate
19	GTR8-A086	5/16 Hardened Washer
20	GTR8-A223	5/16 - 24 x 1" SHCS
21	GTR8-A222	3/8 - 16 x 8" Hex Bolt (Grd 5)
22	PZR7-A248	3/8 SAE Flat Washer
23	PZR7-A207	3/8 - 16 Nyloc
24	GTR8-A151	3/8 Harden Washer "Wide Band"
25	PZR7-A249	3/8 Lock Washer
26	GTR8-A059	3/8 - 24 x 1 HHCS
27	PZR7-A069	1/4 - 20 USS Nyloc
28	GTR8-A167	1/4 - 20 x 2-1/2 SHCS
29	GTR8-A226	Hood Bumper
30	PZR7-A026	1/4 - 20 USS Hex Nut
31	PZR7-A103	1/4 - 20 x 1-1/2 HHCS
32	PZR7-A107	1/4 x 1-1/4 Fender Washer
NS	GTS9-R055	Insulation Material

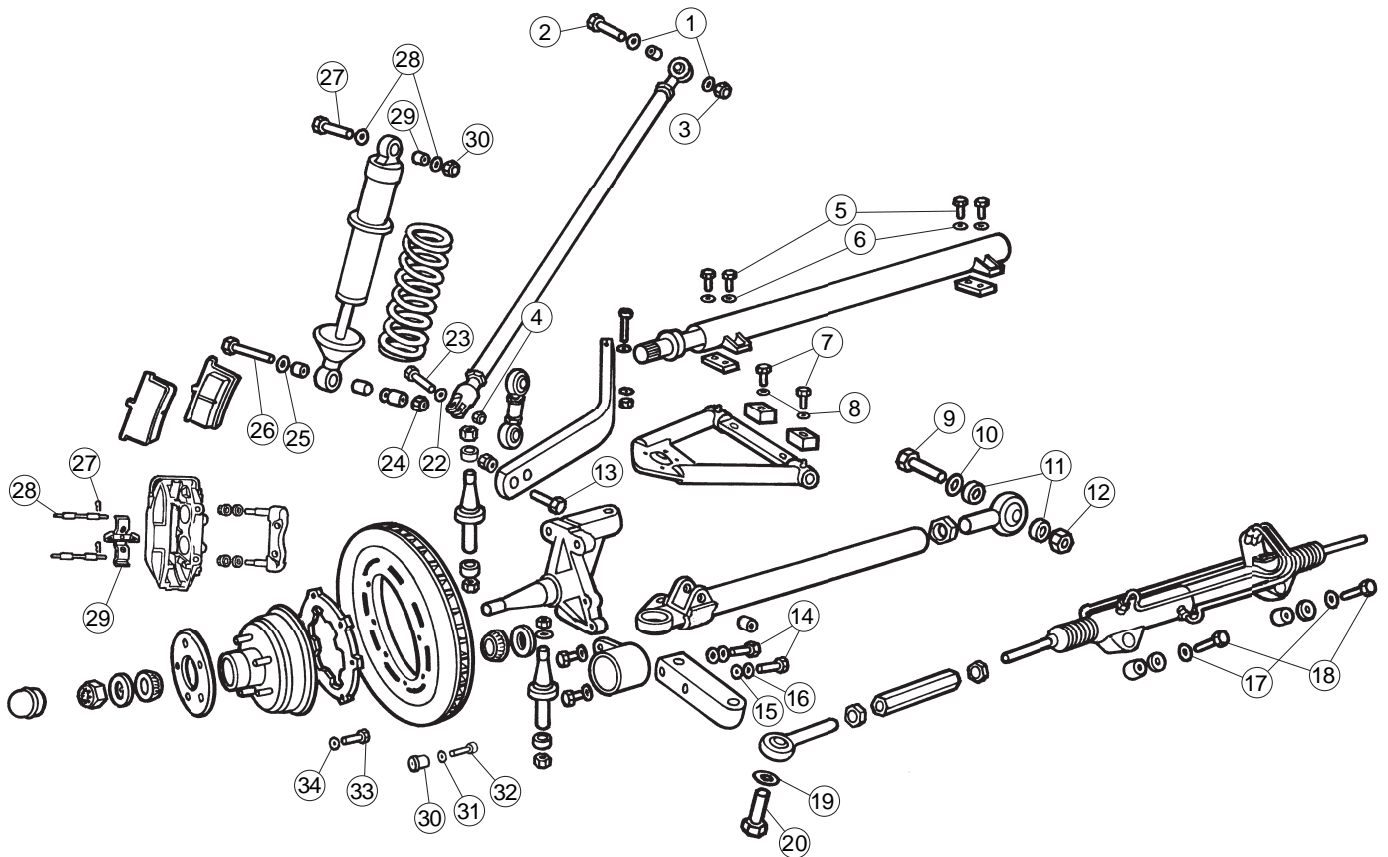
Front Suspension



Key #	Stock Code	Description
1	GTR8-5042	3/4" - 1/2" Alloy Reducer
2	GTS9-5053	Brake Strut Rod, 30"
3	GTWC-5032	Front Shock
4	GTWC-5033	Front Coil Spring
NS	GTS9-5060	Front Shock / Spring Sub
5	GTR8-A231	3/4 HD Clevis
6	GTR8-A234	3/4 - 16 RH Jam Nut
7	GTR8-A233	3/4 - LH Jam Nut
8	GTR8-A230	3/4 x 5/8 LH Male Rod End
9	GTR8-5048	Sway Bar Tube - Welded
10	GTS9-5506	Sway Bar Mount Spacer
11	GTR8-5003	A-Arm Slider Block
12	GTR8-5001	Monoball Control Arm Mod
13	GTR8-5036-L	Strut Style Lower Arm Mod LT
NS	GTR8-5049	Monoball Control Arm Mod
NS	GTR8-5036-R	Strut Style Lower Arm Mod RT
14	GTR8-A234	3/4 16 Right Hand Jam Nut
15	GTR8-A032	3/4 16 RH Male Rod End
16	PZR7-5210	Vent Tube - Boot to Boot
17	PZR7-5204	Washer - Rack
18	GTS9-5204	Polyurethane Rack Bushing Kit
19	GTR8-5208	Power Steering Rack
NS	PZR7-5217	Rack Limiter
19A	PZR7-5207	Boot Kit
20	PZR7-5206	Tie Rod - Inner
21	GTS9-5056	Tie Rod Coupler
22	PZR7-5212	Nut Tie Rod, R9/16
23	GTR8-A031	5/8 18 Left Hand Male Rod End
24	PZR7-5016	Stainless Spacer 11/16
25	GTR8-5024	Left Steering Arm
NS	GTR8-5025	Right Steering Arm
NS	GTS9-5035	Steering Arm Mounting Bolts
26	GTR8-4208	Front Disc Brake Vent
27	GTR8-5018	Spindle, Left (Custom)
NS	GTR8-5019	Spindle, Right (Custom)
28	GTR8-5502	Front Sway Bar Arm, Custom
29	GTR8-A028	Rod End - 1/2 - 20 RH Female

Key #	Stock Code	Description
30	GTR8-A127	1/2 - 20 RH Jam Nut
31	GTR8-A027	Rod End - 1/2 - 20 RH Male
32	GTS9-5036	Lower Bump Steer Stud
33	GTR8-5038	Bump Steer Bushing Kit
34	PZR7-A311	5/8 18 Nyloc
35	GTR8-3219	Grease Seal, Front
36	GTR8-3217	Inner Bearing, Front
37	GTS2-4201	Brembo Rotor, 13" Front Left
NS	GTS2-4202	Brembo Rotor, 13" Front Right
	GTS2-4217	Brembo Disk Mounting Screws
	GTS2-4218	Brembo Disk Mounting Washer
	GTS2-4219	Brembo Disk Mounting Bushing
	GTS2-4220	Brembo Caliper Inlet Adapter Fitting
	GTS2-4221	Brembo Caliper Inlet Adapter Gasket
	GTS2-4225	40mm Brembo Caliper Seal
	GTS2-4226	44mm Brembo Caliper Seal
38	GTS2-4212	Brembo Front Disk Bell Ring
39	GTS9-5013	Steel Hub 5 on 4.5 Kit
40	GTR8-5405	Wheel Spacer
41	GTR8-3218	Outer Bearing, Front
42	GTR8-5017	5 on 4.5 Spindle Nut & Washer Kit
43	GTR8-5017	5 on 4.5 Spindle Nut & Washer Kit
44	GTR8-3224	Dust Cover
45	GTS2-4203	Brembo Caliper, Left Front
NS	GTS2-4204	Brembo Caliper, Right Front
46	GTS2-4207	Brembo Caliper Bracket, Left
NS	GTS2-4210	Brembo Caliper Bracket, Right
47	GTR8-A170	3/4-16 Nyloc
NS	PZR7-5015	Stainless Spacer 13/16
48	GTS2-4222	Brake Pads, Hawk/Brembo
49	GTR8-5029	1-1/4" x .250 Adj. Sway Bar
50	GTR8-5505	Sway Bar Bushing
51	PZR7-A037	1/2 20 Nyloc
52	GTR8-5034	Upper Monoball
53	GTS2-4214	Brembo Caliper Stud
54	GTS2-4215	Brembo Caliper Mounting Nut
55	GTS2-4216	Brembo Caliper Mounting Washer
56	PZR7-A667	5/8-18 Left Hand Jam Nut

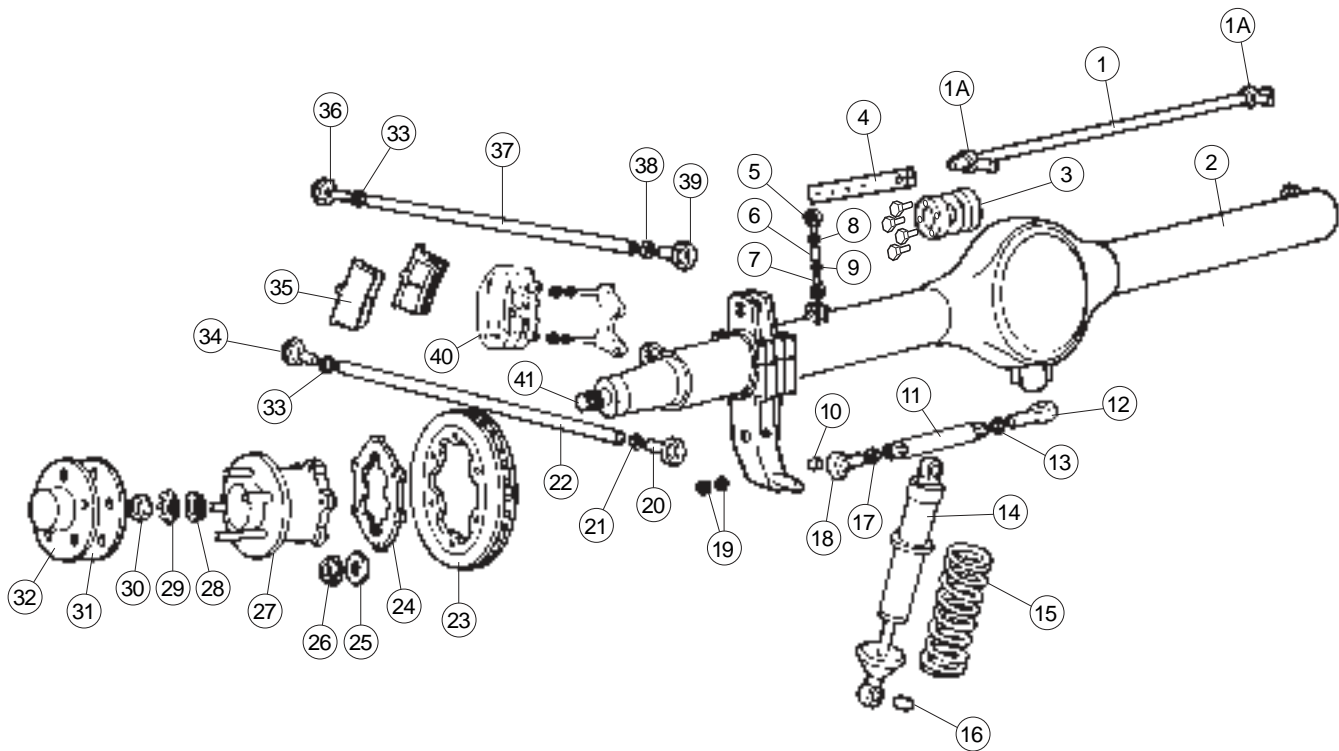
Front Suspension Hardware



Key #	Stock Code	Description
1	PZR7-A059	1/2 Flat Washer, Narrow Band
2	GTR8-A056	1/2 - 20 x 2-1/2 HHCS
3	PZR7-A037	1/2 - 20 Nyloc
4	PZR7-A207	5/16 - 24 x 3-1/4 HHCS
5	GTR8-A100	3/8 - 16 x 3/4 HHCS Grade 8
6	GTR8-A178	AN Washer 3/8 x 3/4 x .06
7	GTR8-A180	1/2 - 13 x 1-1/4 HHCS
8	PZR7-A063	1/2 Lock Washer
9	GTR8-A062	1/2 x 20 x 3 HHCS
10	GTR8-A074	AN Washer 1/2 x 7/8 x .06
11	GTR8-5042	3/4" to 1/2" Alloy Reducer
12	PZR7-A037	1/2 - 20 Nyloc
13	GTR8-A056	1/2 - 20 x 2-1/2 HHCS
14	GTS9-5035	Steering Arm Mounting Bolt
15	PZR7-A059	1/2 Flat Washer, Narrow Band
16	PZR7-A063	1/2 Lock Washer
17	PZR7-A379	7/16 Lock Washer

Key #	Stock Code	Description
18	GTR8-A171	7/16 - 14 x 1 HHCS
19	GTR8-A106	AN Washer 5/8 x 1-3/16 x .060
20	GTR8-A063	5/8 - 18 x 2-1/2 HHCS
21	PZR7-A037	1/2 - 20 Nyloc
22	GTR8-A178	AN Washer 3/8 x 3/4 x .06
23	GTR8-A091	3/8 - 16 x 2 HHCS
24	PZR7-A037	1/2 - 20 Nyloc
25	GTR8-A074	AN Washer 1/2 x 7/8 x .06
26	GTR8-A061	1/2 - 20 x 4 HHCS
27	GTS2-4232	Spring Clip, Front Caliper Pad
28	GTS2-4233	Pivot Pin, Front Caliper Pad
29	GTS2-4231	Abutment Plate, Front Caliper Pad
30	GTS2-4219	Brembo Disc Mounting Bushing
31	GTS2-4218	Brembo Disc Mounting Washer
32	GTS2-4217	Brembo Disc Mounting Screws
33	GTR8-3229	Rotor Plate Mounting Bolt
34	GTR8-A214	5/16 AN Flat Washer

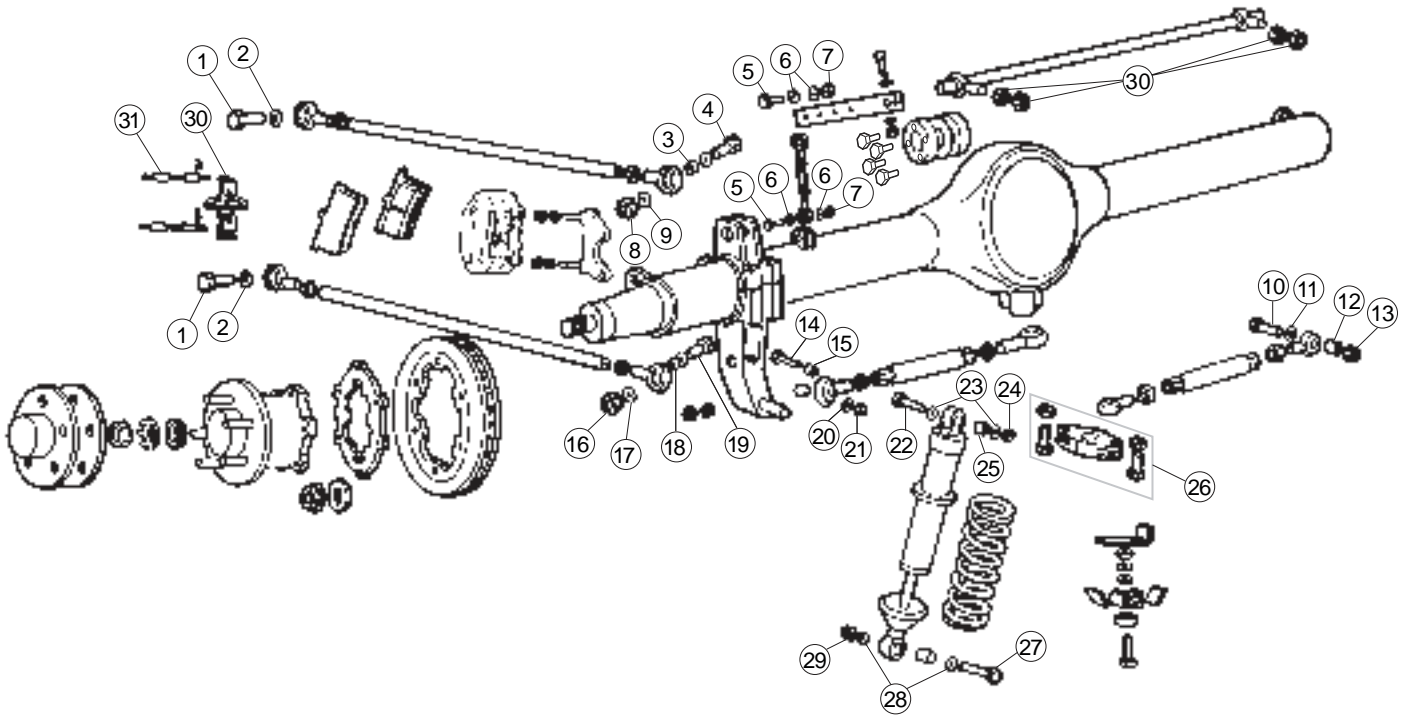
Rear Suspension



Key #	Stock Code	Description
1	GTR9-5602	Rear Sway Bar
1A	GTR8-A032	3/4-16 Right Hand Male
NS	GTR8-5311	Shaft Collar
2	GTR8-3222	Rear Axle Weldment
3	GTR0-5101	Inner Axle Triple Seal
4	GTR8-5603	Rear Sway Bar Arm Modified
5	GTR8-A025	3/8-24 RH Male Rod End
6	GTR8-A216	3/8-24 Coupling Nut
7	GTR8-A025	3/8-24 RH Male Rod End
8	GTR8-A081	3/8-24 RH Jam Nut
9	GTR8-A081	3/8-24 RH Jam Nut
10	GTR8-5041	5/8" - 1/2" Alloy Reducer
11	GTR8-5040	10" Alloy Tie Rod Sleeve
12	GTR8-A031	Rod End - 5/8 - 18 LH Male
13	PZR7-A667	5/8 - 18 LH Jam Nut
14	GTWC-5109	Rear Shock
15	GTWC-5112	Rear Coil Spring
NS	GTS9-5061	Rear Shock / Spring Sub
16	PZR7-5016	11/16 Spacer
17	PZR7-A676	5/8-18 RH Jam Nut
18	GTR8-A030	5/8-18 RH Male Rod End
19	GTR8-5102	Rear Trailing Arm Spacer
20	GTR8-A229	3/4 x 5/8 RH Male Rod End
21	GTR8-A234	3/4 - 16 RH Jam Nut
22	GTS9-5037	Trailing Arm (34")
	GTR8-4305	Rear Caliper Bracket Weld-on
23	GTS2-4205	Brembo Rotor, 12" Rear Left
NS	GTS2-4206	Brembo Rotor, 12" Rear Right
24	GTR8-3216	Brembo Rear Disk Ring

Key #	Stock Code	Description
	GTS2-4217	Brembo Disk Mounting Screws
	GTS2-4218	Brembo Disk Mounting Washer
	GTS2-4219	Brembo Disk Mounting Bushing
	GTS2-4220	Brembo Caliper Inlet Adapter Fitting
	GTS2-4221	Brembo Caliper Inlet Adapter Gasket
	GTS2-4224	36mm Brembo Caliper Seal
25	GTR8-3228	Grease Seal - Rear
26	GTR8-3225	Rear Inner Bearing
27	GTR8-3215	Hub
28	GTR8-3226	Rear Outer Bearing
29	GTR8-5110	Axle Washer
30	GTR8-3220	Hub Nut and Retaining Clip
31	GTR8-5016	Hub Gasket
32	GTR8-3221	Drive Flange - Hub
33	GTR8-A233	3/4 - 16 LH Jam Nut
34	GTR8-A230	3/4 x 5/8 LH Male Rod End
35	GTS2-4223	Brake Pads, Hawk/Brembo
36	GTR8-A230	3/4 x 5/8 LH Male Rod End
37	GTS9-5037	Trailing Arm (34")
38	GTR8-A234	3/4 - 16 RH Jam Nut
39	GTR8-A229	3/4 x 5/8 RH Male Rod End
40	GTS2-4207	Caliper - Left Rear
NS	GTS2-4208	Caliper - Right Rear
41	GTR8-3213	Axle - Left
NS	GTR8-3212	Axle - Right
NS	GTS9-3223	Rear Axle Sub Assembly
	GTS2-4211	Brembo Rear Caliper Bracket
	GTS2-4215	Brembo Caliper Mounting Nut
	GTS2-4216	Brembo Caliper Mounting Washer

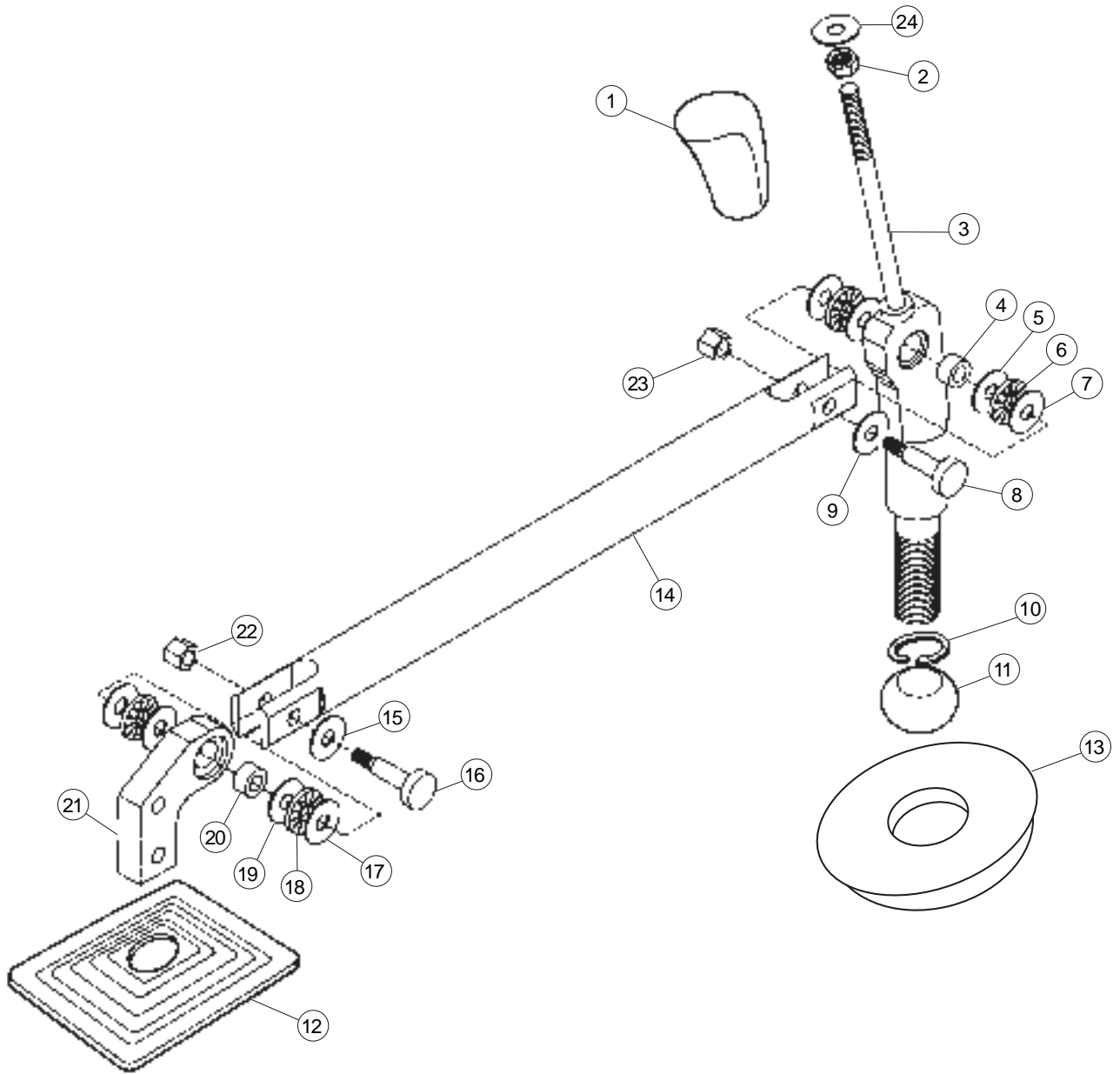
Rear Suspension Hardware



Key #	Stock Code	Description
1	GTR8-A063	5/8 - 18 x 2-1/2 HHCS
2	GTR8-A106	AN Washer 5/8 x 1-3/16 x .06
3	GTR8-5102	Rear Trailing Arm Spacer
4	GTR8-A063	5/8 - 18 x 2-1/2 HHCS
5	GTR8-A091	3/8 - 16 x 2 HHCS
6	GTR8-A178	AN Washer 3/8 x 3/4 x .06
7	PZR7-A207	3/8 - 16 Nyloc
8	PZR7-A311	5/8 - 18 SAE Nyloc
9	PZR7-A703	5/8 Flat Washer
10	GTR8-A062	1/2 - 20 x 3 HHCS
11	GTR8-A074	AN Washer 1/2 x 7/8 x .06
12	PZR7-5016	Stainless Spacer
13	PZR7-A037	1/2 - 20 Nyloc
14	GTR8-A062	1/2 - 20 x 3 HHCS
15	PZR7-5016	Stainless Spacer
16	PZR7-A311	5/8 - 18 SAE Nyloc
17	PZR7-A703	5/8 Flat Washer
18	GTR8-5102	Rear Trailing Arm Spacer
19	GTR8-A063	5/8 - 18 x 2-1/2 HHCS
20	GTR8-A074	AN Washer 1/2 x 7/8 x .06
21	PZR7-A037	1/2 - 20 Nyloc

Key #	Stock Code	Description
22	GTR8-A062	1/2 - 20 x 3 HHCS
23	GTR8-A074	AN Washer 1/2 x 7/8 x .06
24	PZR7-A037	1/2 - 20 Nyloc
25	PZR7-5016	Stainless Spacer
26	GTR8-5105	Watts Linkage Pivot
27	GTR8-A061	1/2 - 20 x 4 HHCS
28	GTR8-A074	AN Washer 1/2 x 7/8 x .06
29	PZR7-A037	1/2 - 20 Nyloc
30		
31		
32		
33		
34		
35		
36?		
NS	GTS9-3241	Watts Link Mount Part 1
NS	GTS9-3242	Watts Link Mount Part 2
NS	GTS9-3243	Watts Link Mount Part 3
NS	GTS9-3244	Watts Link Mount Part 4
NS	GTS9-3245	Watts Link Mount Part 5

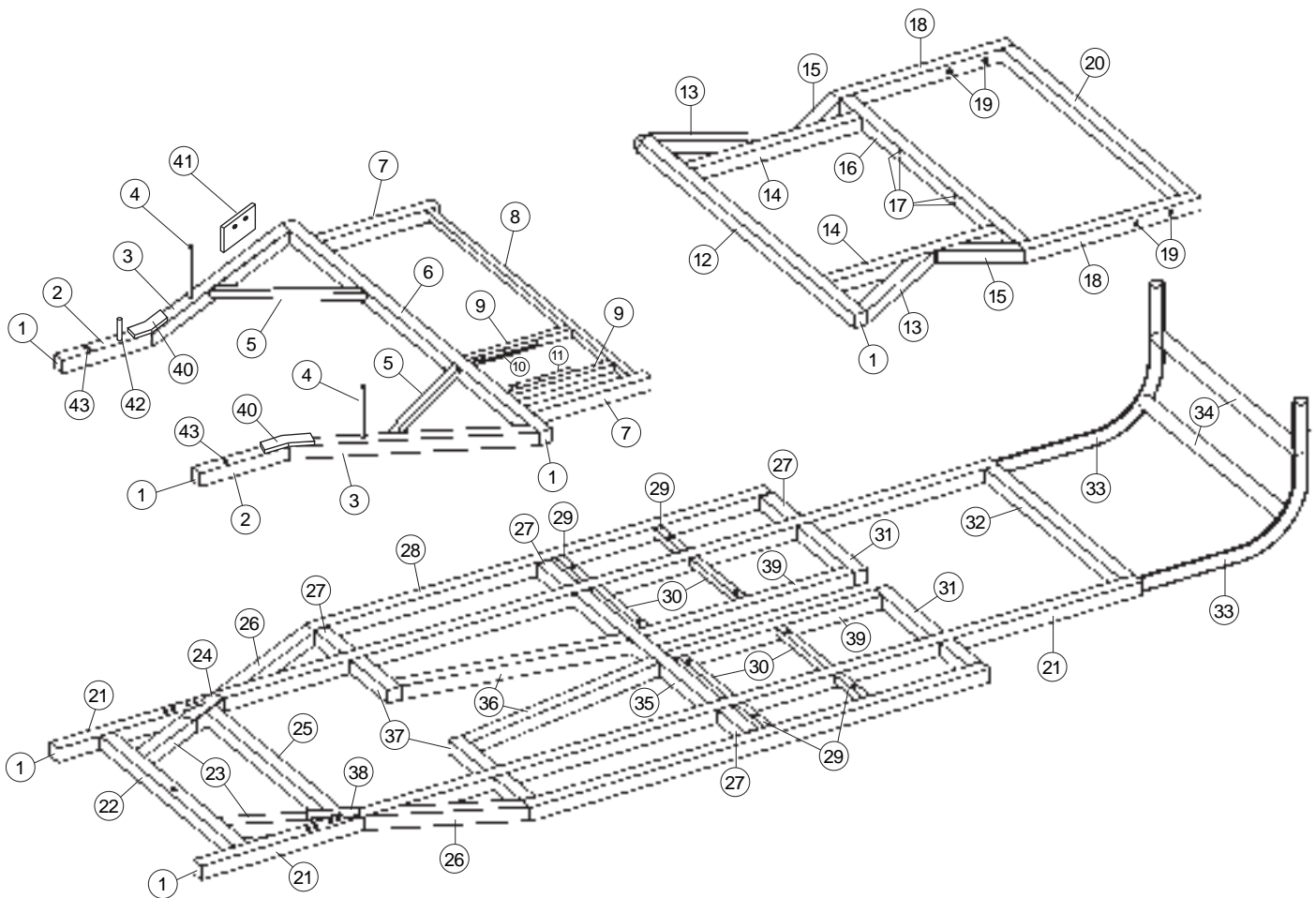
Shifter Assembly



Key #	Stock Code	Description
1	PZR7-6019	Shifter Knob, Leather Wrapped
2	PZR7-6414	Shift Jam Nut
3	PZR7-6404	Shifter Handle
4	PZR7-6410	Bearing – Cylindrical Thrust
5	PZR7-6412	Washer – Thrust
6	PZR7-6409	Bearing – Needle Thrust
7	PZR7-6412	Washer – Thrust
8	PZR7-A668	1/4 x 1 Should. Bit w/ 10-24 Thr
9	PZR7-A705	Belleville Spring Washer
10	PZR7-6411	Snap Ring – Internal
11	PZR7-6408	Bearing – Misaligned Spheric
12	PZR7-6018	Shifter Dust Boot
13	GTR8-6403	Shifter Bearing Cup

Key #	Stock Code	Description
NS	PZR7-A265	5/16 – 18 x 1 HHCS
14	PZR7-6406	Shifter Rod
15	PZR7-A705	Belleville Spring Washer
16	PZR7-A668	1/4 x 1 Should. Bit w/ 10-24 Thr
17	PZR7-6412	Washer – Thrust
18	PZR7-6409	Bearing – Needle Thrust
19	PZR7-6412	Washer – Thrust
20	PZR7-6410	Bearing – Cylindrical Thrust
21	PZR7-6405	Shifter Adapter Plate
22	PZR7-A648	10-24 Metal Lock Nut
23	PZR7-A648	10-24 Metal Lock Nut
NS	PZR7-6415	Handle Assembly Remote Shifter
24	PZR7-A578	7/16" SSFW

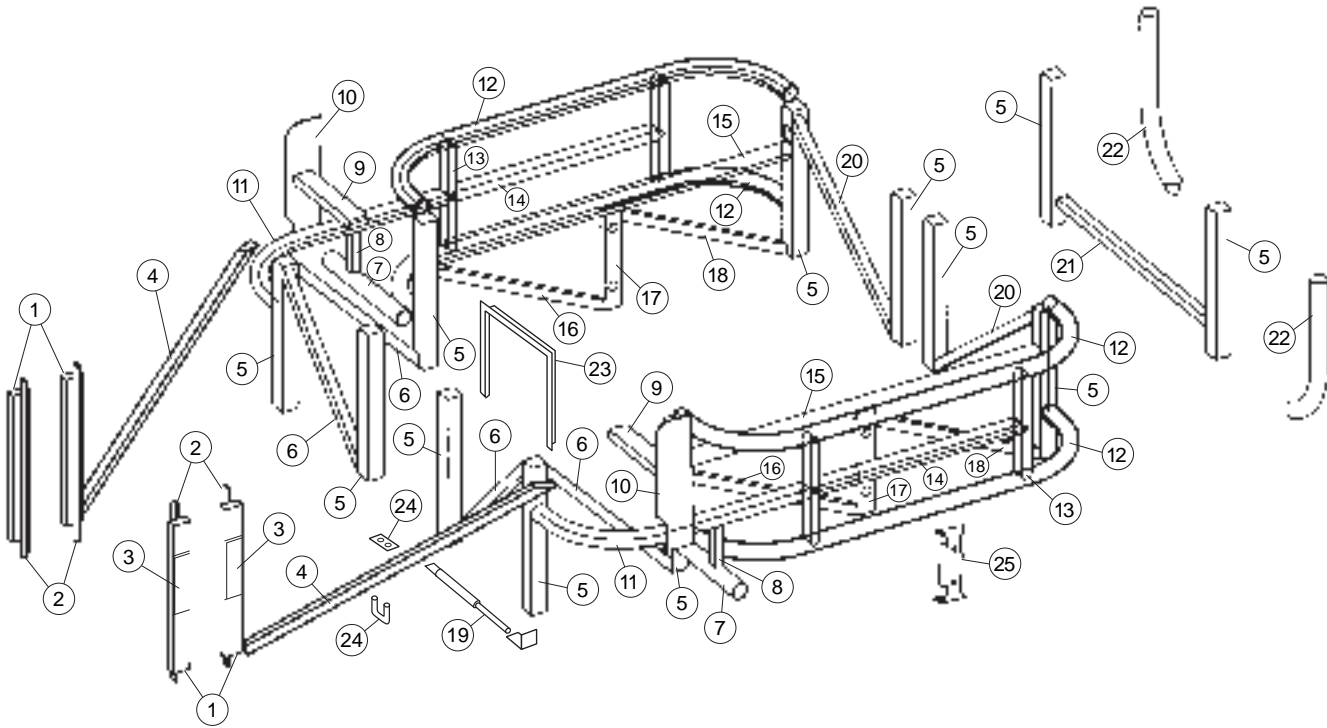
Chassis Parts



Key #	Stock Code	Description
1	GTR8-1623	1.75" Tube Cap
2	GTWC-1204	Front Upper Tube #4
3	GTWC-1203	Front Upper Tube #3
4	GTS9-2117	Threaded Hood Support Tube
5	GTWC-1205	Front Upper Tube #5
6	GTR8-1201	Front Upper Tube #1
7	GTR8-1202	Front Upper Tube #2
8	GTR8-1207	Front Upper Tube #7
9	GTR8-1206	Front Upper Tube #6
10	GTR8-1208	Pedal Mount, Right
11	GTR8-1209	Pedal Mount, Left
12	GTR8-1301	Rear Upper Tube #1
13	GTR8-1306	Rear Upper Tube #6
14	GTR8-1302	Rear Upper Tube #2
15	GTR8-1303	Rear Upper Tube #3
16	GTS9-1309	Rear Upper Tube with Cooler Holes
17	GTS9-1310	Diff Cooler Mount Bung
18	GTR8-1305	Rear Upper Tube #5
19	GTR8-1307	Wing Mount Bung
20	GTR8-1304	Rear Upper Tube #4
21	GTR8-1101	Lower Chassis Tube #1
22	GTS9-1103	Lower Front Chassis Tube

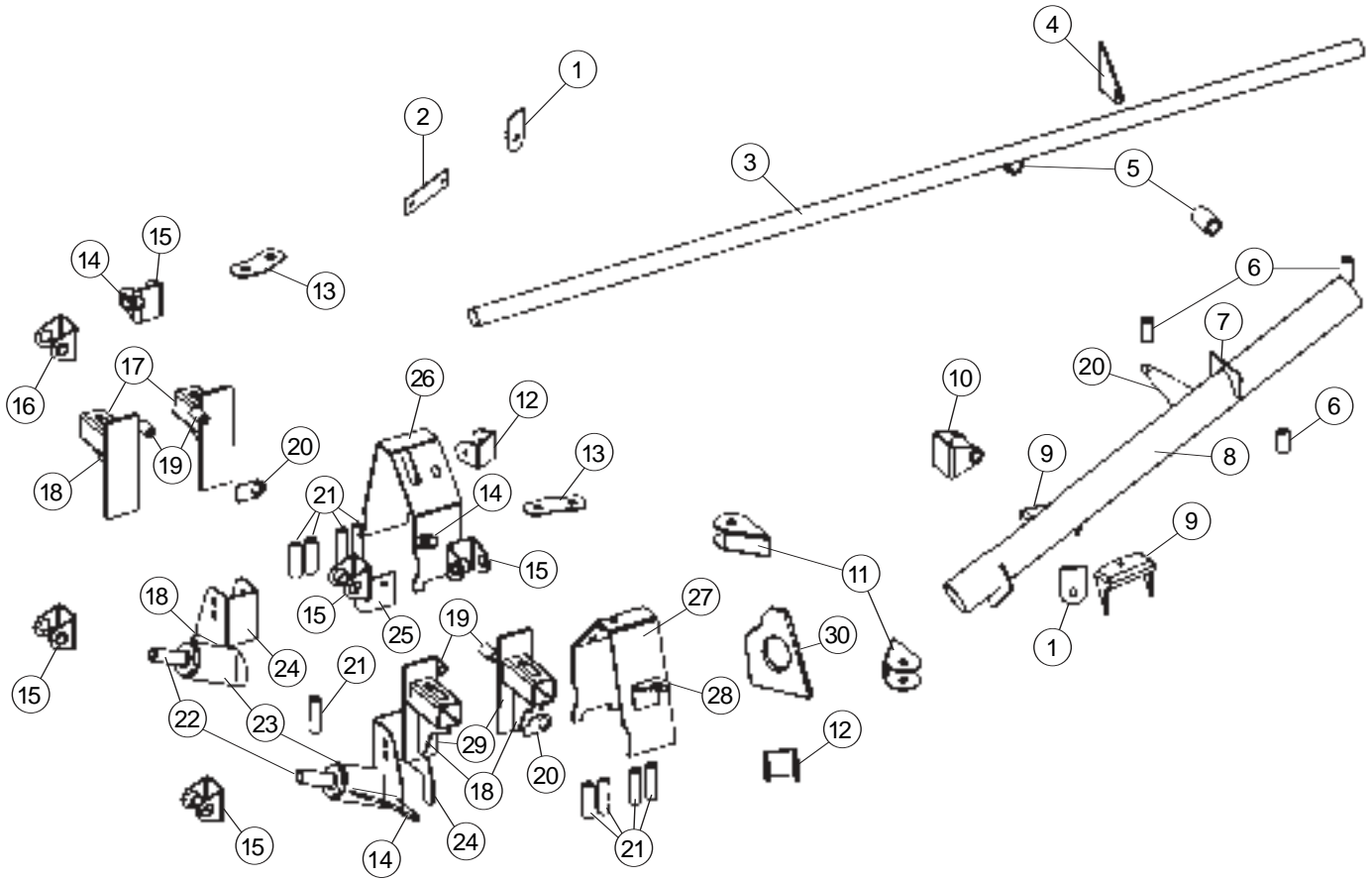
Key #	Stock Code	Description
23	GTR8-1104	Lower Chassis Tube #4
24	GTS9-1122	Engine Cross Member Collar, RH
25	GTS9-1105	Engine Cross Member
26	GTR8-1106	Lower Chassis Tube #6
27	GTR8-1107	Lower Chassis Tube #7
28	GTR8-1102	Lower Chassis Tube #2
29	GTWC-1117	Seat Mount Tube, Short
30	GTWC-1118	Seat Mount Tube, Long
31	GTR8-1112	Lower Chassis Tube #12
32	GTR8-1110	Lower Chassis Tube #10
33	GTR8-1113	Lower Chassis Tube #13
34	GTWC-1511	Cross Brace
35	GTR8-1110	Lower Chassis Tube #10
36	GTR8-1109	Lower Chassis Tube #9
37	GTR8-1108	Lower Chassis Tube #8
38	GTS9-1121	Engine Cross member Collar, LH
39	GTR8-1111	Lower Chassis Tube #11
NS	GTS9-1000	Complete SCCA Chassis
40	GTR9-1675	Front Upper Frame Band-aid
41	GTS9-1676	Oil Catch Can Mount
42	PZR7-A273	5/16 18 x 3/4 HHCS
43	GTR8-1604	1/2 x 13 Bung

Chassis Parts



Key #	Stock Code	Description
1	GTR8-1405	Front Suspension Verticals
2	GTS9-1430	Front Upright Brace
3	GTR8-1414	1/4" Backing Plate – Slider
4	GTWC-1420	Front Clip Diagonal Brace
5	GTR8-1406	Vertical Tube
6	GTR8-1410	Side Diagonal Tube #1
7	GTWC-1427	Jack Tube
8	GTWC-1428	Jack Tube Support
9	GTR8-1425	Hinge Plate Support
10	GTR8-1424	Hinge Plate – Chassis
11	GTWC-1402	Door Bar (Single Bend)
12	GTWC-1401	Door Bar "U" Seamless
13	GTWC-1404	Door Bar Vertical Tube
14	GTWC-1408	Straight Door Bar
15	GTWC-1407	Inner Door Bar – Chassis
16	GTR8-1411	Side Diagonal Tube #2
17	GTR8-1403	Chassis Side Tube #3
18	GTR8-1412	Side Diagonal Tube #3
19	GTS9-2113	Body Mount Slider Tube, Outer
20	GTR8-1413	Rear Bulk Head Diagonal
21	GTS9-1409	Fuel Cell Support Tube, Front
22	GTWC-1426	Fuel Cell Side Bar Tube
23	GTS9-2244	Trans Tunnel Flange
24	GTR8-A224	1" U-Bolt with Plate
25	GTS3-1431	Double Shear Bracket

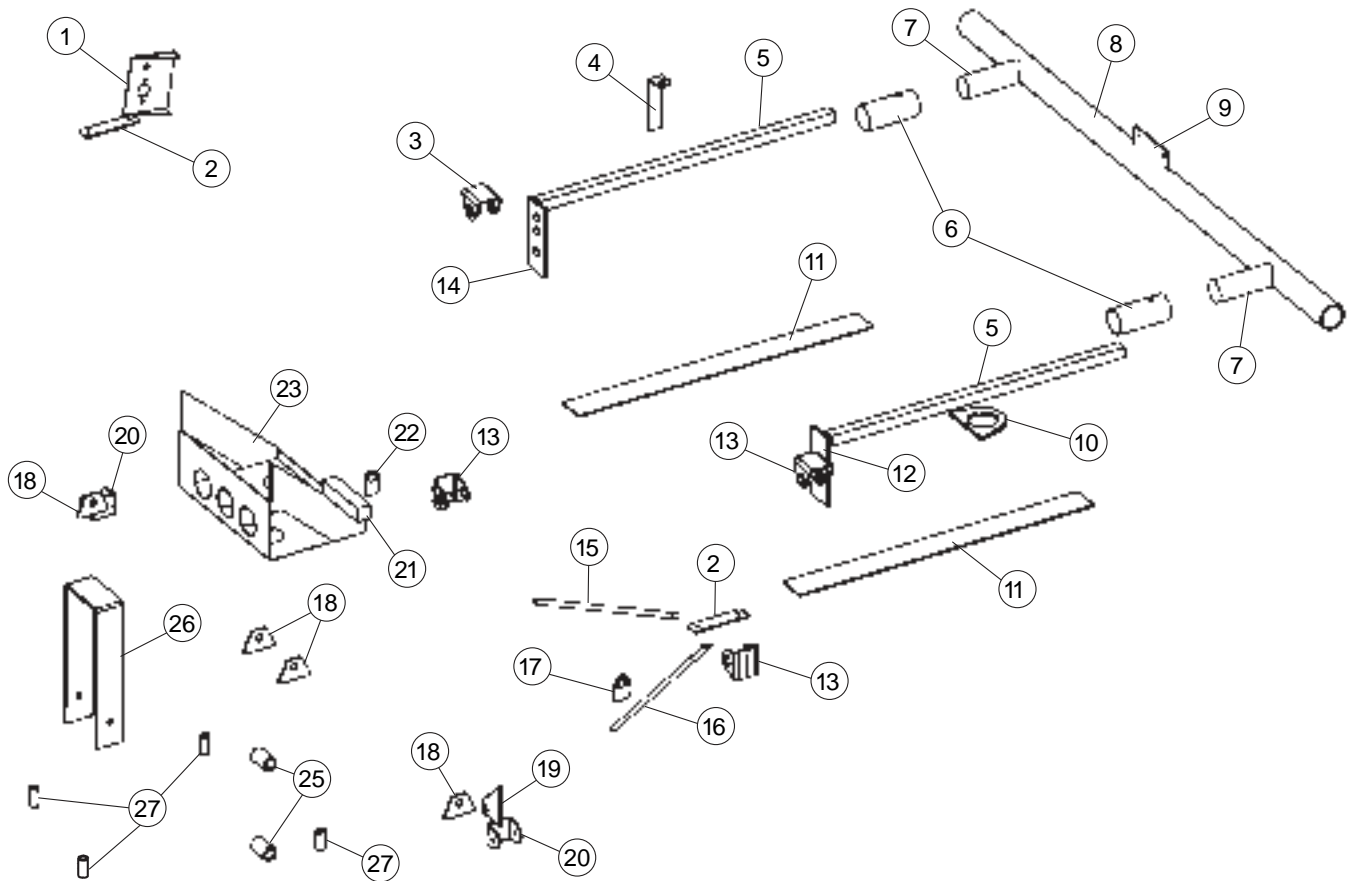
Chassis Accessories



Key #	Stock Code	Description
1	GTR8-1650	Exhaust Hanger #1
2	GTS9-1676	Oil Catch Can Mount
3	GTS9-1674	Fuel Line Conduit
4	GTR8-1651	Exhaust Hanger #2
5	GTR8-1608	Rear Axle Link Mounting Bungs
6	GTWC-1668	Seat Mounting Bungs (Momo)
7	GTR8-1654	Steering Column Mount
8	GTWC-1621	Steering Column
9	GTR8-1612	Transmission Mount Bracket
10	GTS9-1680	Excel Pedal Mount
11	GTS9-1603	Brake Strut Rod Bracket
12	GTR8-1614	Body Mount Bracket
13	GTR9-1675	Front Upper Frame Band-aid
14	GTR8-1604	Weld-on Nut 1/2 – 13 3/8 long
15	PZR7-5118	Bracket – Shock Mount

Key #	Stock Code	Description
16	PZR7-5118	Bracket – Shock Mount
17	GTR8-1610	A-Arm Slider Mount
18	GTR8-1601	3" Gusset
19	GTS9-1684	Upper Control Arm Adjust Bung
20	GTR8-1641	Brake Hose Tab
21	GTR8-1611	3/8" Threaded Bung
22	PZR8-1509	Steering Rack Angle Mount
23	GTR8-1648	Steering Rack Support
24	GTR8-1609	Lower Control Arm Mount
25	GTR8-1662	Oil Filter Mount Plate
26	GTS9-1678	Engine Mount Bracket, Right Side
27	GTS9-1677	Engine Mount Bracket, Left Side
28	GTS9-1681	Steering Shaft Support
29	GTR8--1414	1/4" Slide Backing Plate
30	GTS9-1679	Engine Mount Gusset

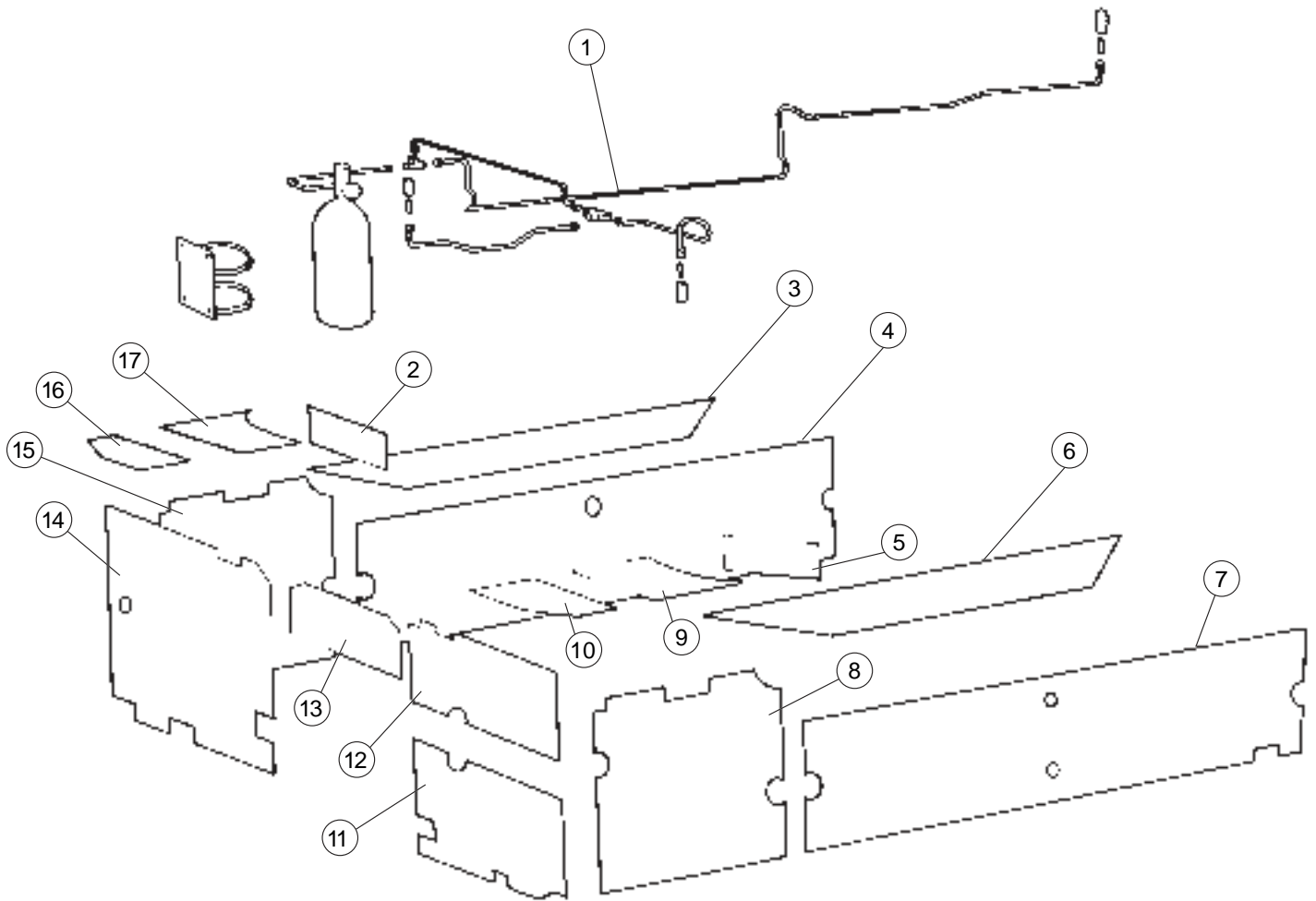
Chassis Accessories



Key #	Stock Code	Description
1	GTWC-9109	Battery SW / Fire Pull Panel
2	GTR8-1660	Body Mount Plate Rear Quarter
3	PZR7-5118	Bracket – Shock Mount
4	GTWC-1671	Fire Nozzle Bracket
5	GTWC-1116	Fuel Cell Side Restraint
6	GTR8-1625	Rear Bumper Mount
7	GTR8-1626	Rear Bumper Tube, Short
8	GTS9-1627	Rear Bumper Sub
9	GTS9-2128	Rear Bumper Tab
10	GTR8-1649	Tow Hook
11	GTR8-1620	Fuel Tank Strip
12	GTR8-1655	Left Rear Sway Bar Mount
13	PZR7-5118	Bracket – Shock Mount
14	GTR8-1656	Right Rear Sway Bar Mount

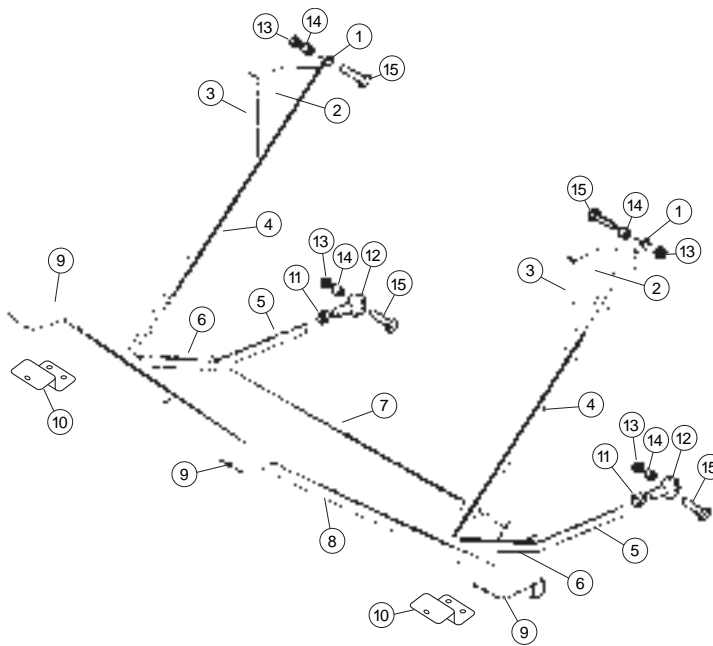
Key #	Stock Code	Description
15	GTR8-1629	Body Mount Tube
16	GTR8-1630	Body Support, Rear Quarter #2
17	GTR8-1641	Brake Hose Tab
18	GTR8-1605	Seat Tab 1/8" Steel
19	GTR8-1651	Exhaust Hanger #2
20	GTR8-1614	Body Mount Bracket
21	GTR8-1422	Trans Tunnel Brace Rear
22	GTR8-1641	Brake Hose Tab
23	GTR8-1606	Battery Box
24	GTR8-1605	Seat Tab 1/8" Steel
25	GTR8-1608	Rear Axle Link Mounting Bungs
26	GTR8-1658	Drive Shaft Loop
27	GTWC-1668	Seat Mounting Bungs (Momo)

Fire Extinguisher & Heat Shields

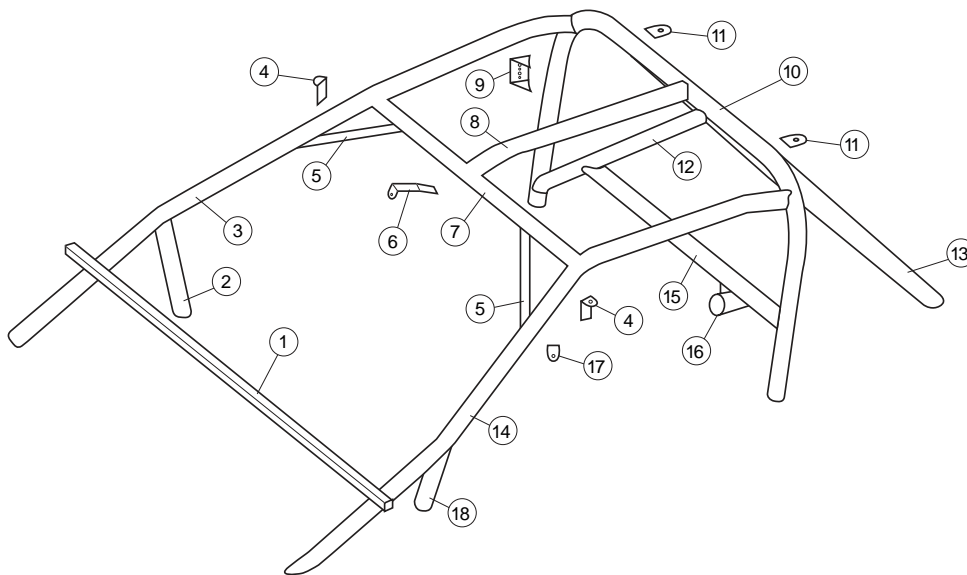


Key #	Stock Code	Description
1	GTS9-9106	10-lb Fire System
2	GTR8-6303	Upper Heat Shield Panel Kit
3	GTR8-6303	Upper Heat Shield Panel Kit
4	GTR8-6320	R1-Covered
5	GTR8-6303	Upper Heat Shield Panel Kit
6	GTR8-6303	Upper Heat Shield Panel Kit
7	GTR8-6322	L1-Covered
8	GTR8-6323	L2-Covered
9	GTR8-6303	Upper Heat Shield Panel Kit
10	GTR8-6303	Upper Heat Shield Panel Kit
11	GTR8-6317	F2-Covered
12	GTR8-6318	F3-Covered
13	GTR8-6319	F4-Covered
14	GTR8-6316	F1-Covered
15	GTR8-6321	R2-Covered
16	GTR8-6303	Upper Heat Shield Panel Kit
17	GTR8-6303	Upper Heat Shield Panel Kit
NS	GTR8-6334	8-Piece Cellotex Foam Kit
NS	GTR8-6314	Heat Shield Sleeve
NS	GTR8-R041	Heat Shield Wrapping

Front Crush Box & Roll Cage



Key #	Stock Code	Description
1	GTR8-1701	3/4" OD x 3/4" Bung
2	GTR8-1702	Gusset
3	GTR8-1703	Upper Bent Strip
4	GTR8-1706	Front Vertical Tube
5	GTR8-1705	Lower Tube
6	GTR8-1712	Lower Angled Tube
7	GTR8-1707	Radiator Guard Tube
8	GTR8-1708	Front Bumper Tube
NS	GTR8-1709	Radiator Mount, Driver
NS	GTR8-1710	Radiator Mount, Passenger
9	GTR8-1711	Lower Bumper Mount – Outer
10	GTS9-2124	Nose (Z) Bracket
NS	GTR8-1700	Front Crush Box Sub Assembly
11	GTR8-A043	1/2 –20 Hex Nut
12	GTR8-A027	Rod End 1/2 – 20 RH Male
13	PZR7-A613	1/2 – 20 Locknut
14	PZR7-5016	Stainless Spacer 11/16
15	GTR8-A087	1/2 - 20 x 2-3/4 BHCS



Key #	Stock Code	Description
1	GTR8-1513	Cowl Support Bar
2	GTWC-1506	Front Corner Brace (Seamless)
3	GTWC-1508	A-Pillar Tube, Passenger
4	GTS9-1673	Body Mount, Front Outer
5	GTWC-1512	Roll Bar, Diagonal
6	GTS9-1672	Front Center Body Mount
7	GTWC-1502	Front Hoop (Seamless)
8	GTWC-1503	Top Center Bar (Seamless)
9	GTWC-9109	Battery SW / Fire Pull Panel

Key #	Stock Code	Description
10	GTWC-1501	Main Hoop (Seamless)
11	GTR8-1666	Body Mount Tab
12	GTWC-1510	Main Hoop Brace
13	GTWC-1504	Rear Diagonal Bar (Seamless)
14	GTWC-1509	A-Pillar Tube, Driver
15	GTS9-1514	Harness Bar
16	GTS9-1515	Headrest Mount
17	GTS9-1683	Fire Pull Handle Mount
18	GTWC-1507	Front Corner Brace, Driver

Hardware List

Stock Code	Description
PZR7-A005	1/2 – 13 x 1-1/2 HHCS
PZR7-A026	1/4 –20 USS Hex Nuts
PZR7-A030	1/4 – 20 x 1 HHCS
PZR7-A037	1/2 – 20 Nyloc
PZR7-A057	1/2 Fender Washer
PZR7-A059	1/2 Flat Washer, Narrow Band
PZR7-A061	1/2 – 13 Hex Nut
PZR7-A063	1/2 Lockwasher
PZR7-A067	1/4 – 20 Nutsert
PZR7-A069	1/4 – 20 USS Nyloc
PZR7-A073	1/4 – 20 x 1-1/2" HHCS
PZR7-A081	1/4 – 20 x 1/2 HHCS
PZR7-A083	1/4 – 20 x 2" SHCS
PZR7-A087	1/4 – 20 x 1-1/2 HHCS
PZR7-A103	1/4 – 20 x 1-1/2 HHCS
PZR7-A107	1/4 x 1-1/4 Fender Washer
PZR7-A109	1/4 SAE Flat Washer
PZR7-A111	1/4 Lock Washer
PZR7-A123	10 – 32 Kep Nut
PZR7-A124	10 – 32 SAE Nyloc
PZR7-A125	10 – 32 Nutsert
PZR7-A127	10 – 32 Nutsert, Standard
PZR7-A129	10 – 32 x 1-1/2 BHPMS
PZR7-A130	3/8" Fuel Line
PZR7-A135	10 – 32 x MS
PZR7-A139	10 – 32 x 1/2 Binding HD Phil MS
PZR7-A140	8 – 32 x 3/4 Binding HD Phil MS
PZR7-A143	10 – 32 x 3/4 Binding HD Phil MS
PZR7-A149	10 Flat Washer SS
PZR7-A159	10 x 5/8 Tek Screw
PZR7-A163	10M Lock Washer
PZR7-A193	3/16 USS Wide Band Flatwasher
PZR7-A207	3/8 – 16 Nyloc
PZR7-A223	3/8 – 16 x 3/4 HHCS
PZR7-A224	3/8 – 16 x 3/4 SS BHCS
PZR7-A225	3/8 – 24 Nyloc
PZR7-A247	3/8 Flat Washer USS
PZR7-A248	3/8 SAE Flatwasher
PZR7-A249	3/8 Lockwasher
PZR7-A256	5/16 – 18 x 1-1/4 HHCS
PZR7-A259	5/16 – 18 Nut
PZR7-A261	5/16 – 18 Nyloc
PZR7-A265	5/16 – 18 x 1-1/2 HHCS
PZR7-A271	5/16 – 18 x1 HHCS
PZR7-A273	5/16 – 18 x 3/4 HHCS
PZR7-A293	5/16 Fender Washer
PZR7-A297	5/16 Lock Washer
PZR7-A311	5/8 – 18 SAE Nyloc

Stock Code	Description
PZR7-A347	7/16 – 20 x 1-1/2 HHCS
PZR7-A375	7/16 – 20 Lock Nut
PZR7-A377	7/16 Flat Washer, Narrow Band
PZR7-A379	7/16 Lock Washer
PZR7-A380	7/16 Adel Clamp (Heavy Duty)
PZR7-A383	8-32 Kep Nut
PZR7-A398	M8 x 1.25 x 25M HHCS
PZR7-A411	M8 x 1.25 Nut
PZR7-A425	Adel Clamp – 1/2"
PZR7-A427	Adel Clamp – 1/4"
PZR7-A447	Brake Tee
PZR7-A463	Flanged Brng (SYMCO) Hinge
PZR7-A467	Foam Sealing Tape 1/4 x 3/4
PZR7-A471	Hose Clamp #32
PZR7-A475	Hose Clamp #12
PZR7-A477	Hose Clamp #24
PZR7-A479	Hose Clamp #4
PZR7-A487	Hose Clamp #72
PZR7-A491	Hose Clamp #8
PZR7-A503	3/16 (#10) Alloy Lockwasher
PZR7-A515	AAL46 Rivet
PZR7-A519	AAC 44 Rivet
PZR7-A523	SSPQ66 Rivet
PZR7-A527	AAP43 Rivet
PZR7-A531	AA46D Rivet
PZR7-A533	AAPQ64 Rivet
PZR7-A549	SFHCSM 8 x 30 mm
PZR7-A561	Wire Tie 15'
PZR7-A563	Wire Tie 5-1/2"
PZR7-A565	Wire Tie 8"
PZR7-A569	10 – 24 USS Nylon Locknut
PZR7-A578	7/16" SSFW
PZR7-A582	Rubber Bung Plugs 1-1/2 OD
PZR7-A585	#10 3/16" Flat Washer
PZR7-A598	1/2" – 13 Lock Nut
PZR7-A631	1/2 – 20 Lock Nut
PZR7-A632	5/16 – 18 x 5-1/2 HHCS
PZR7-A648	10 – 24 Metal Locknut
PZR7-A667	5/8 – 18 LH Jam Nut
PZR7-A668	1/4 x 1 Should. BLT W/10-24 Thr
PZR7-A671	1/4 – 20 x 1-1/4 CSFHCS
PZR7-A672	1/4 – 20 x 4" Stud. (Windshield)
PZR7-A690	1/4 x 1-1/4 Foam Seal Tape
PZR7-A696	5/16 Flat Washer (SAE)
PZR7-A697	#10 SAE Flat Washer
PZR7-A705	Belleville Spring Washer
PZR7-A710	10 – 32 x 5/8 BHCS (Black)

Hardware List

Stock Code	Description
GTR8-A002	-6 x 1/4 NPT
GTR8-A005	Bulkhead-6
GTR8-A011	Bulkhead-3
GTR8-A012	Nut-3
GTR8-A027	Rod End — 1/2 – 20 RH Male
GTR8-A028	Rod End — 1/2 – 20 RH Female
GTR8-A029	Rod End — 1/2 – 20 LH Male
GTR8-A031	Rod End — 5/8 – 18 LH Male
GTR8-A051	5/16 – 24 x 1-1/4 HHCS
GTR8-A053	1/4 – 28 x 1-1/2 HHCS
GTR8-A054	7/16 – 20 x 1 HHCS
GTR8-A056	1/2 – 20 x 2-1/2 HHCS
GTR8-A057	5/16 – 24 x 1 HHCS
GTR8-A059	3/8 – 24 x 1 HHCS
GTR8-A061	1/2 – 20 x 4 HHCS
GTR8-A062	1/2 – 20 x 3 HHCS
GTR8-A063	5/8 – 18 x 2-1/2 HHCS
GTR8-A071	AN Washer 7/16 ID x 3/4 OD
GTR8-A074	AN Washer 1/2 x 7/8 x .06
GTR8-A077	5/16 Hardened Fender Washer
GTR8-A087	1/2 – 20 x 2-3/4 BHCS
GTR8-A088	3/8 – 16 x 1 HHCS
GTR8-A091	3/8 – 16 x 2 HHCS
GTR8-A098	Snap Ring
GTR8-A099	5/16 – 18 x 3/4 HHCS Grade 8
GTR8-A100	3/8 – 16 x 3/4 HHCS Grade 8
GTR8-A106	AN Washer 5/8 x 1-3/16 x .060
GTR8-A109	M6 Hex Nut
GTR8-A112	5/16 – 18 x 3/4" CSFHCS
GTR8-A116	-6 to 5/8 – 18 PS Fitting
GTR8-A123	#40 Hose Clamp
GTR8-A127	1/2 – 20 RH Jam Nut
GTR8-A129	3/16 x 1/2 x 1/16 Rivet Wash.
GTR8-A130	-3 AN Tee w/ Female 1/8 NPT
GTR8-A136	1/4 – 28 x 1 BHCS
GTR8-A139	#6 Male to 16 x 1.5
GTR8-A141	14 mm Aluminum Crush Washer
GTR8-A142	16 mm Aluminum Crush Washer
GTR8-A143	18 mm Aluminum Crush Washer
GTR8-A145	-10 – 24 x 3/4 CSFHCS
GTR8-A148	10 – 24 x 3/4 CSFNCS
GTR8-A151	3/8 Hardened Washer (Wideband)
GTR8-A154	Diff Vent Tubing – Clear
GTR8-A158	#6 Gauge Adapter
GTR8-A159	1/2 – 13 x 1-1/2 HHCS
GTR8-A167	1/4 – 20 x 2-1/2 SHCS
GTR8-A169	10 – 24 x 1 BHCS
GTR8-A171	7/16 – 14 x 1 HHCS
GTR8-A173	6/32 x 1/4 BHCS
GTR8-A176	1/4 – 20 x 1-1/2 SS Carriage

Stock Code	Description
GTR8-A177	AN Washer 5/16 x 5/8 x .06
GTR8-A178	AN Washer 3/8 x 3/4 x .06
GTR8-A180	1/2 – 13 x 1-3/4 HHCS
GTR8-A181	#48 Hose Clamp
GTR8-A182	7/16 – 20 x 1-3/4 HHCS
GTR8-A186	5/16 – 18 x 4 HHCS
GTR8-A192	7/16 – 14 x 3/4 HHCS GR 8
GTR8-A193	M10 x 1.5 x 35 mm HHCS
GTR8-A194	15 – 1/4" Cable Tie
GTR8-A200	Cable Stop
GTR8-A207	5/16 – 24 X 3-1/4 HHCS
GTR8-A213	5/16 AN Bolt
GTR8-A214	5/16 AN Washer
GTR8-A215	5/16 AN Kep Nut
GTR8-A218	10-32 x 5/8" SS BHCS
GTR8-A219	10-32 SS Flange Nut
GTR8-A220	M10 Flat Washer
GTR8-A222	3/8 – 16 x 8" Hex Bolt (GRD 5)
GTR8-A223	5/16 – 24 x 1" SHCS
GTR8-A224	1" U-Bolt With Plate
GTR8-A226	Hood Bumper
GTR8-A227	5/16 – 18 x 1 HHCS Grade 8
GTR8-A228	3/16" Body Rivet
GTR8-A229	3/4 x 5/8 RH Male Rod End
GTR8-A230	3/4 x 5/8 LH Male Rod End
GTR8-A231	3/4 HD Clevis
GTR8-A233	3/4 – 16 LH Jam Nut
GTR8-A234	3/4 – 16 RH Jam Nut
GTR8-A235	3/8 – 16 x 2 SHCS GR 8
GTR8-A236	3/8 AN Washer
GTR8-A237	5/16 x 3-1/4 HHCS GR 8
GTR8-A238	7/16 – 14 x 5-1/2 HHCS GR 8
GTR8-A239	3/8 – 16 x 1 Serrated FLG Bolt
GTR8-A240	Heim Joint, Accelerator, RH
GTR8-A241	Heim Joint, Accelerator, LH
GTR8-A242	1/4 – 28 Jam Nut, RH
GTR8-A243	1/4 – 28 Jam Nut, LH
GTR8-A245	1/4" – 20 x 7" HHCS
GTR8-A246	3/8 – 16 x 2-3/4" Full Thread
GTR8-A247	3/8 – 16 Jam Nut
GTR8-A248	Screw, Southco Fast Thread
GTR8-A249	Nut Plate, Southco Fast Thread
GTR8-A250	Retainer, Southco Fast Thread
GTR8-A251	Rubber Washer
GTR8-A252	T-Bolt Band Clamp
GTS9-3328	6 to 3/8 NPT Adapter
GTR8-A253	5/16 – 18 Coupling Nut
GTS9-A066	7/16 – 14 x 6" HHCS
GTS9-A067	5/16 – 18 x 4-1/2" HHCS
GTR8-A266	Methaq, MA30 250 ml

Accessories & Electrical Parts

Stock Code	Description
GTR8-3231	Rear Wheel Studs
GTR8-5401	BBS Wheel, 17 x 9
GTR8-5402	Lugnut, 1/2" x 20
GTS9-2033	Panoz Decal, 6"
GTS9-5062	Front GTS Wheel Stud
GTS9-5404	BFGG-Force Tire
GTS9-5405	275/40 – 17 Pilot CS Tire
GTS9-5509	BBS Valve Stem Cap
PZR7-5317	Horn Button Lens
PZR7-5408	Wheel Emblem

GTR8-2409	DZUS Fastener Assembly
GTR8-8017	Negative Lead, Engine to Chassis
GTR8-8305	Positive Cable, 102" – Cut-off Switch to Ignition Switch
GTR8-8306	Positive Cable, 24" – Cut-off Switch to Battery
GTR8-8307	Positive Cable, 16" – Battery to Anderson Quick Disconnect
GTR8-8308	Negative Cable, 16" – Battery to Anderson Quick Disconnect
GTS9-8302	Anderson Quick Disconnect, 1 GA
GTR8-8309	Negative Cable, 7" Battery to Chassis
GTR8-8017	Negative Cable, Block to Firewall
GTR8-8112	Socket, 2-way
GTR8-8113	Lock Socket, 2-way
GTR8-8122	Plug, 8-way
GTR8-8123	Lock Plug, 8-way
GTR8-8124	Socket, 8-way
GTR8-8125	Lock Socket, 8-way
GTR8-8126	Pin 18-16
GTR8-8128	Socket, 18-16
GTR8-8129	Socket 16-14
GTR8-8162	Grommet 5/8 ID x 1-1/8 OD
GTR8-8165	Grommet 3/8 ID x 9/16 Groove
GTR8-8172	5/8 Bore x 7/8 Groove Grommet
GTR8-8173	3/4 Grommet
GTS9-8001	Main Wiring Harness
GTS9-8004	GTS Tail Lamp Loom
GTS9-8009	GTS Primary Fan Loom
GTS9-8013	GTS Secondary Fan Loom
GTS9-8218	GTS Tach / Oil PSI Gauge Loom
GTS9-8220	Alternator Main Lead
GTWC-8108	Connector
GTR8-8015	Mirror Switch Loom
GTR8-8109	Mirror Switch



Panoz Auto Development

1101 Highway 124
Hoschton, GA 30548
Ph: 770-867-4796 • Fax: 770-307-1714