

Preface	1
Introduction	1
The Owner's Handbook	1
Status at Time of Printing	1
Symbols Used	1
In an Emergency.....	2
Vehicle Identification Information	3
Vehicle Identification	3
Vehicle Identification Label	4
Instructions for Use of Electric Vehicle	6
Effects of Ambient Temperature	6
Instructions for High Voltage Battery Pack Recycling	6
Driving Range.....	7
Equalisation Charging.....	8
High Voltage System.....	9
Instructions If An Accident Occurs.....	11
I Instruments and Controls	13
Instruments and Controls	14

CONTENTS

Instrument Pack	16
Information Centre	18
Warning Lights and Indicators	30
Lights and Switches	41
Master Lighting Switch.....	41
Headlamp Levelling Manual Adjustment.....	43
Fog Lamp Switch	44
Direction Indicator/Main Beam Switch.....	45
Hazard Warning Lamp.....	47
Wipers and Washers	48
Windscreen Wiper Operation.....	48
Programmed Wash/Wipe	49
Rear Window Wiper Operation	50
Steering System	52
Adjustment of Steering Column.....	52
Electric Power Steering	53
Horn	54
Mirrors	55

CONTENTS

Door Mirrors.....	55
Interior Rearview Mirror	57
Sunvisors.....	58
Windows.....	59
Power Operated Window Switch	59
Window Operation.....	59
Sunroof *	62
Instructions	62
Sunroof Operation	62
Interior Lights.....	66
Front Power Socket.....	67
Storage Devices	69
Instructions	69
Glove Box.....	69
Card Box.....	70
Centre Console Armrest Box	70
Loadspace	71
Cup Holder	72

CONTENTS

Centre Console Cup Holder	72
Roof Luggage Rack *	73
Maximum Authorised Load for the Roof.....	73
Periodical Check	73
2 Air Conditioning and Audio Systems	75
Ventilation	76
A/C Particle/Pollen Filter	77
Vents	77
Electronic Temperature Control	79
Control Panel - Without Seat Heater *	79
Control Panel - With Seat Heater *	80
A/C Display	81
A/C Status	81
System On/Off.....	82
Blower Speed Control.....	82
Temperature Control.....	82
Cooling On/Off Button	82
Air Distribution Mode.....	82
Air Recirculation Mode	83

Defrost/Demist	84
Heated Rear Window	84
3 Seats & Restraints	87
Seats.....	88
Overview	88
Head Restraints.....	89
Front Seats	90
Rear Seats.....	92
Front Seat Heating *	92
Seat Belts	94
Protection Provided by Seat Belts	94
Wearing Seat Belts.....	96
Children and Seat Belts	100
Seat Belt Pre-tensioners.....	101
Seat Belt Checks, Maintenance and Replacement.....	102
Airbag Supplementary Restraint System	104
Overview	104
Airbag Deployment	105
Conditions in Which Airbags Will Not Deploy	108

CONTENTS

Disabling the Passenger Airbag.....	109
Service and Replacement of Airbags.....	111
Disposal of Airbags.....	112
Child Restraints	113
Important Safety Instructions about Using Child Restraints	113
Child Restraints Groups.....	116
Approved Child Restraint Positions	118
4 Starting & Driving.....	123
Keys	124
Overview	124
Replacing the Battery.....	125
Child Proof Locks	127
Alarm System	128
Power Immobilisation	128
Body Anti-theft System	129
Tailgate.....	133
Starting and Stopping the Power System.....	135
START STOP Switch	135

READY Mode.....	136
Switching the Power System OFF.....	138
Pedestrian Alert Control System	139
Economical and Environmental Driving	140
Running-in.....	140
Economic Driving.....	140
Driving in Special Environment.....	141
Check and Service.....	142
Vehicle Control	143
Vehicle Control System.....	143
Power Limit of Electrical Appliances.....	143
Charging Requirements.....	145
Charging Your Vehicle at Home	147
Installed Charging Points.....	147
Home Charging Guide.....	147
Charging and Medical Condition Awareness	148
Charging Port	148
Rapid Charging	150
Slow Charging.....	151

CONTENTS

Charging Information.....	154
Equalisation Charging.....	155
Charging Times	155
Electric Drive System (EDS)	158
Instructions	158
Gear Shift Control.....	158
Vehicle Start-off.....	161
Driving on Hills	162
Driving Mode (MODE).....	162
Energy Regeneration (KERS).....	164
Battery Status Display (BATTERY)	166
Protection Mode.....	167
Brake System.....	169
Foot Brake	169
Electronic Brake Force Distribution (EBD)	170
Electronic Brake Assistance (EBA)	170
Hill Hold Control (HHC)	170
Hill Descent Control (HDC)	172
Anti-lock Brake System (ABS)	174

Auto Hold	176
Active Rollover Protection (ARP)	178
Emergency Braking Hazard Warning Lights Control (HAZ)	178
Electronic Parking Brake (EPB).....	179
Stability Control System (SCS) and Traction Control System (TCS).....	182
Adaptive Cruise Control System	183
Adaptive Cruise Control System Activation	184
Adaptive Cruise Target Speed Adjustment	187
Adaptive Cruise Target Following Distance Adjustment	188
Adaptive Cruise Pause.....	188
Automatic Deactivation of Adaptive Cruise	188
Adaptive Cruise Override	189
Adaptive Cruise Resume	189
Clear the Speed Memory	190
Special Driving Environments	190
Parking Aid System.....	193
Ultrasonic Sensor Parking Aid.....	193
Parking Camera System *	195
Rear Driver Assistance System *	196

CONTENTS

System Overview	196
Switching the System Functions On/Off	198
System Functions	199
Tyre Pressure Monitoring System (TPMS).....	203
Driving Assist System	205
Description of Front View Camera	205
Description of Front Detection Radar	206
Speed Assist System (SAS)	208
Lane Departure Warning System (LDW)	213
Lane Departure Prevention System (LDP)	217
Lane Keeping Assist System (LKA)	221
MG Pilot System	225
Forward Collision Warning System (FCW)	229
Automatic Emergency Braking System (AEB) and Automatic Emergency Braking System for Pedestrians (AEBP)	231
Load Carrying	236
Loadspace Loading.....	236
Internal Loading.....	236
5 Emergency Information	239

Hazard Warning Devices	240
Hazard Warning Lights	240
Warning Triangle	240
Emergency Starting	242
Using Booster Cables	242
Starting the Car	242
Towing and Shipping	245
Towing Vehicle	245
Transporting using Trailer or Transporter	248
Tyre Repair	249
Tool Identification	249
Tyre Repair	249
Changing a Wheel *	252
Fuse Replacement	256
Fuse	256
Fuse Box	257
Passenger Compartment Fuse Box	257
Front Compartment Fuse Box	260
Bulb Replacement	263

CONTENTS

Bulb Specification.....	263
Bulb Replacement.....	264
6 Maintenance	279
Maintenance.....	280
Routine Servicing.....	280
Bonnet	283
Opening the Bonnet.....	283
Closing the Bonnet.....	283
Bonnet Open Warning.....	283
Front Compartment	285
Cooling System.....	286
Coolant Check and Top Up	286
Coolant Specification.....	287
Brake.....	288
Brake Pads	288
Brake Fluid Check and Top Up.....	288
Brake Fluid Specification	289
Battery.....	290

Battery Maintenance	290
Battery Replacement	290
High Voltage Battery Pack	292
Precautions and restricted conditions for use of battery	292
Washers	294
Windscreen Washer Check and Top Up	294
Washer Nozzles.....	295
Washer Fluid Specification	295
Wipers	296
Wiper Blades	296
Replacing Front Wiper Blades	297
Replacing Rear Wiper Blades	298
Tyres.....	299
Overview	299
New Tyres	299
Directional Tyres.....	299
Tyre Life	299
Tyre Pressure.....	300
Driving Style.....	300

CONTENTS

Wheel Balance.....	300
Wheel Alignment.....	300
Caring for Your Tyres	300
Tyre Pressure	301
Valves.....	301
Punctured Tyres	301
Tyre Wear Indicators	302
Replacement Tyres	302
Wheel Fitment Rotation	303
Snow Chains	303
Cleaning and Vehicle Care	304
Exterior Care.....	304
Cleaning the Interior.....	308
7 Technical Data	311
Technical Data Dimensions	312
Weights.....	313
Parameters of High Voltage Battery	314
Parameters of Traction Motor	315

CONTENTS

Recommended Fluids and Capacities	316
Wheel Alignment (Unladen Condition)	317
Wheels and Tyres	317
Tyre Pressure (Cold)	317

Introduction

The Owner's Handbook

This handbook describes all of the vehicles and standard equipment specification within the model range. Some of the information therefore, may not apply to your particular car.

Always remember that if you have any queries concerning the operation or specification of your car, your MG Authorised Repairer will be glad to advise you.

Status at Time of Printing

MG operates a policy of constant product improvement and therefore reserves the right to change specifications without notice at any time. Whilst every effort is made to ensure complete accuracy of the information in this publication, no liabilities for inaccuracies or the consequences thereof, including loss or damage to property, or injury to persons, can be accepted by the manufacturer or MG Authorised Repairer who supplied the publication, except in respect of personal injury caused by the negligence of the manufacturer or MG Authorised Repairer .

Symbols Used

The following symbols used within the handbook call your attention to specific types of information.

Warning



This warning symbol identifies procedures that must be followed precisely, or information that must be considered with great care, in order to reduce the risk of personal injury or serious damage to the car.

Important

IMPORTANT
The statements stated here must be followed strictly, otherwise your car could be damaged.

Note

Note: *This describes helpful information.*

PREFACE



This symbol indicates that parts described must be disposed of by authorised persons or bodies to protect the environment.

Asterisk

An asterisk (*) appearing within the text, identifies features or items of equipment that are either optional, or are only fitted to some vehicles in the model range.

Illustration Information



Identifies components being explained.



Identifies movement of components being explained.

In an Emergency

IMPORTANT

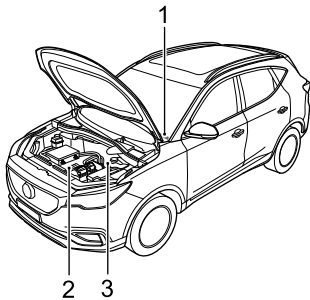
Remember the breakdown safety code

If a breakdown occurs while travelling:

- Wherever possible, consistent with road safety and traffic conditions, the car should be moved off the main thoroughfare, preferably into a lay-by. If a breakdown occurs on a motorway, pull well over to the inside of the hard shoulder.
- Switch on hazard lights.
- If available, position a warning triangle or a flashing amber light 50 to 150 metres (150 to 500 ft) behind your vehicle to warn approaching traffic. Note it is a legal requirement of some countries that a warning triangle is carried in the vehicle, if in doubt consult the local highways agency for further information.
- Consider evacuating passengers through nearside doors onto the verge to reduce risk of injury in the event of collision.

Vehicle Identification Information

Vehicle Identification



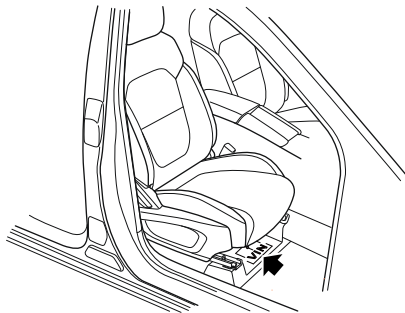
- 1 Vehicle Identification Number (VIN)
- 2 Drive Motor Number
- 3 Electric Drive System Number

Always quote the Vehicle Identification Number (VIN) when communicating with MG Authorised Repairer. If the drive motor or electric drive system is involved, it may be

required to provide the identification numbers of these assemblies.

Vehicle Identification Location

Vehicle Identification Number (VIN)



- On the floor under the front driver seat;
- On the identification plate;
- Stamped on a plate visible through the bottom left hand corner of the windscreen;

PREFACE

- On the inner side of the tailgate visible by opening the tailgate.

Note: *The DLC is located in the driver footwell at the base of the fascia panel on the RH side. The VIN information can be extracted from the vehicle using the approved diagnostic equipment.*

Drive Motor Number

Stamped on the lower part of the drive motor housing.

Electric Drive System Number

Stamped behind the upper part of the electric drive system housing.

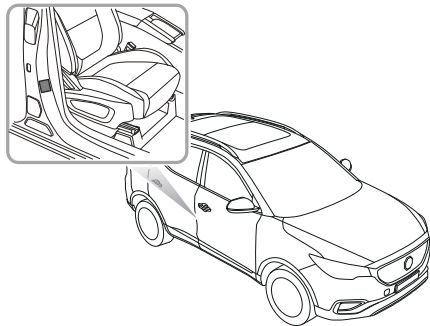
Vehicle Identification Label

The vehicle identification label contains the following information:

- Type Approval Number;
- Vehicle Identification Number (VIN);
- Gross Vehicle Weight;
- Gross Train Weight;
- Max Front Axle Weight;
- Max Rear Axle Weight;
- Paint Code;
- Trim Code;

Location of Vehicle Identification Label

The identification label is located at the lower side of right pillar B.



PREFACE

Instructions for Use of Electric Vehicle

Effects of Ambient Temperature

The working performance of the high-voltage battery pack fitted to your vehicle is related to the ambient temperature, this battery powers the vehicle power system and therefore it is recommended that where possible the vehicle should be used within the temperature range of -15 to 45. This will ensure that the vehicle is at the optimum working state, and help extend the service life of high-voltage battery pack. Extremely high or low temperatures will affect the performance of high-voltage battery pack and vehicle.

Instructions for High Voltage Battery Pack Recycling

The high-voltage battery pack fitted to your vehicle contains several lithium based battery cells, is installed centrally to the motor-vehicle chassis. Arbitrary disposal may cause pollution, hazard and damage to the environment. The high-voltage battery pack **MUST** be recycled by an MG Authorised Repairer or a professional

approved dismantling agent. Please refer to the following information and requirements.

- **ONLY** qualified personnel should work with the high voltage system - there is danger of DEATH.
- High voltage safety: the high voltage system fitted to your vehicle features a HV battery containing high voltage components such as lithium battery packs and high voltage wiring harness; **DO NOT** attempt to dismantle any area of this system, suitably trained professional staff must observe insulation safety protection before working on or near the high voltage system.
- Transportation: The high-voltage battery pack is classed as a Category 9 hazardous material and must be transported by vehicles qualified in transporting Category 9 hazardous materials.
- Storage: All HV components (including batteries) should be stored at room temperature and in a dry environment. They must be kept away from dangerous sources, such as flammable objects, heat and water sources.

- Internal composition: The high-voltage battery pack consists of lithium batteries (pack), PCB, HV and normal electric wiring, metal casing and other components.

It is strongly recommended that the used high-voltage battery pack generated from vehicle scrappage or other reasons should be disposed of by an MG Authorised Repairer. See official Website for details: www.mg.co.uk.

Note: Instructions: If you decide not to use the recommended MG Authorised Repairer to dispose of your high voltage battery, the responsibility of the consequences of environmental pollution or accidents must be borne by the owner.

Driving Range

The driving range depends on the HV battery condition, quantity of available electricity, vehicle age (current remaining battery life), weather, temperature, road conditions and driving habit etc.

The range can be affected by electric loads (such as A/C, lights etc), driving style, general road conditions.

It should be noted that:

- The driving range is related to rate of discharge. In order to avoid a high rate of discharge from affecting the performance of the high-voltage battery pack, it is recommended that the vehicle is connected to a suitable charger upon seeing the low battery warning lamp in the instrument illuminate.
 - The actual driving range of vehicle will reduce with the increase of vehicle age.
 - The use of A/C will reduce the driving range.
 - The driving range varies at different speeds.
 - At low temperatures, the driving range will be reduced due to temperature characteristics of the battery during use.
 - Under some conditions of extreme temperatures and low battery voltage, insufficient acceleration or power reduction may occur due to battery characteristics.
- To help increase the range of the vehicle please observe the following:
- Have the vehicle regularly maintained as per service schedule.
 - Always ensure the tyre pressures are correct.

PREFACE

- Try and use the vehicle between the recommended ambient temperatures.
- Do not park or store the vehicle for long periods with a low state of charge, where possible charge the vehicle as soon as possible prior to storage.
- Remove unnecessary articles to reduce the vehicle load.
- Use of heavy power consuming systems such as A/C and heating will use large amounts of power, this will reduce the driving range.
- At a high speed, where possible, close the windows to reduce wind resistance and power consumption.
- Try to maintain a steady speed at all times, avoid constant acceleration and braking.
- During acceleration, apply the accelerator pedal as gently as possible.
- During deceleration, release the accelerator pedal; under certain conditions when not applying the brake or gently applying the brake, the energy regeneration system (KERS) will assist in charging the HV battery and extend the driving range.

Equalisation Charging

In order to assist in extending the service life of the high voltage battery pack is recommended that an equalisation charge is carried out at regular intervals.

Please see "Equalisation Charging" in the "Starting & Driving" section.

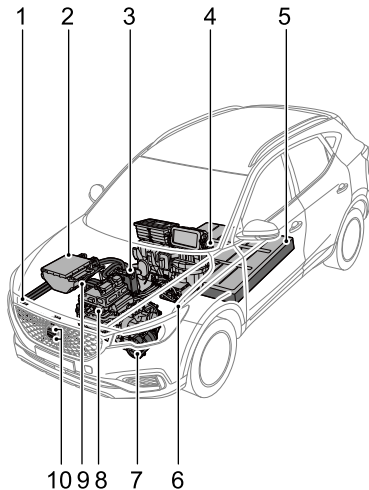
High Voltage System



- *The high voltage system used on your vehicle features AC and DC voltages up to 460V. All high voltage components have warning labels attached - please observe these warnings and any requirements when operating within or close to these areas.*
- *ONLY qualified personnel should work on, or with, the high voltage system - there is danger of DEATH.*

PREFACE

The high-voltage system component layout is shown below:



- 1 High-voltage Harness
- 2 On Board Charger
- 3 Power Distribution Unit (PDU)
- 4 Electric Heater
- 5 High Voltage Battery (ESS)
- 6 Manual Service Disconnect (MSD)
- 7 Electric A/C Compressor
- 8 Electric Drive System (EDS)
- 9 HV Battery Heater
- 10 Charging Port

Instructions If An Accident Occurs



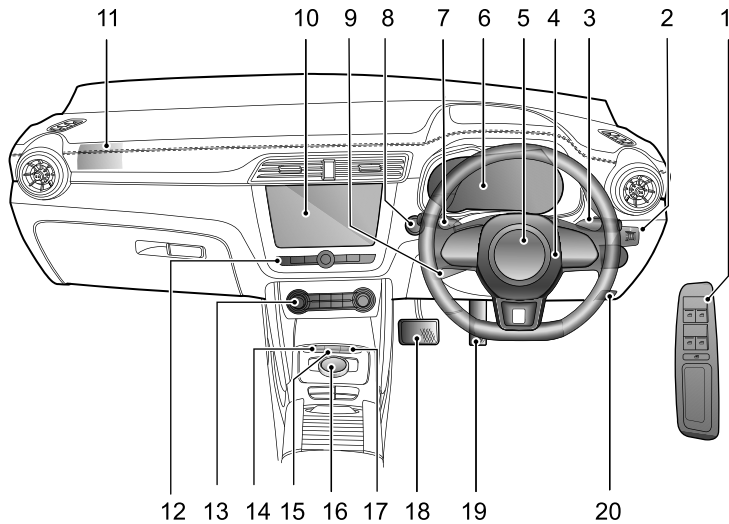
- *Ensure the vehicle is in P, the parking brake is applied and the vehicle power system is OFF*
- *If any cables on the vehicle are exposed, in order to prevent electric shock or even death DO NOT make any contact with any cable.*
- *If the vehicle catches fire, and the fire is small and slow, a carbon dioxide extinguisher can be used to extinguish the fire, and contact the fire department as soon as possible; if the fire is large and spreading quickly, immediately evacuate the vehicle and contact the fire department immediately.*
- *If the vehicle is involved in a collision and cannot be re-started, the master safety switch (MSD) MUST be disconnected prior to rescue.*
- *When the vehicle is completely or partially immersed in water, switch off the vehicle power system and evacuate the car immediately. The master safety switch (MSD) MUST be disconnected prior to rescue or as soon as the vehicle is refloated/removed from the water. Observe the water/vehicle for any abnormal signs such as excessive bubbles or noises, this may indicate battery short circuit issues, if no signs are evident there should not be a shock risk from the bodywork and recovery can commence.*
- *If your car is being recovered by an independent recovery agent, please contact MG Authorised Repairer for maintenance.*
- *The vehicle is supplied with a rescue information card (in the glove box). Please show the card to the rescue personnel when they arrive.*

Instruments and Controls

- | | |
|---|-------------------------------|
| <i>14 Instruments and Controls</i> | <i>67 Front Power Socket</i> |
| <i>16 Instrument Pack</i> | <i>69 Storage Devices</i> |
| <i>18 Information Centre</i> | <i>72 Cup Holder</i> |
| <i>30 Warning Lights and Indicators</i> | <i>73 Roof Luggage Rack *</i> |
| <i>41 Lights and Switches</i> | |
| <i>48 Wipers and Washers</i> | |
| <i>52 Steering System</i> | |
| <i>54 Horn</i> | |
| <i>55 Mirrors</i> | |
| <i>58 Sunvisors</i> | |
| <i>59 Windows</i> | |
| <i>62 Sunroof *</i> | |
| <i>66 Interior Lights</i> | |

INSTRUMENTS AND CONTROLS

Instruments and Controls

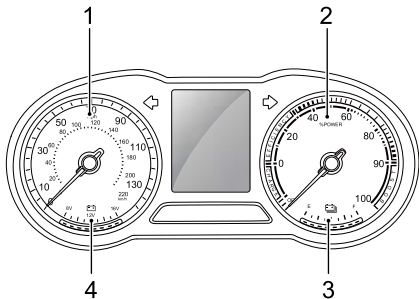


INSTRUMENTS AND CONTROLS

- | | |
|---|---------------------------------|
| 1 Power Window Switch | 17 Battery Power Display Switch |
| 2 Exterior Rearview Mirror and Headlamp Leveling Switch | 18 Brake Pedal |
| 3 Wiper Stalk Switch | 19 Accelerator Pedal |
| 4 Horn Button | 20 Bonnet Release Handle |
| 5 Driver Airbag | |
| 6 Instrument Pack | |
| 7 Indicator/Main Beam Stalk Switch | |
| 8 Start/Stop Switch | |
| 9 Cruise Control Stalk Switch | |
| 10 Infotainment System | |
| 11 Front Passenger Airbag | |
| 12 Infotainment Control Switch | |
| 13 Air Conditioning Control Switch | |
| 14 Driving Mode Selection Switch | |
| 15 Energy Regeneration Mode Selection Switch | |
| 16 Shift Control Knob | |

INSTRUMENTS AND CONTROLS

Instrument Pack



Speedometer (1)

Indicates the vehicle speed in mph and km/h.

Power Meter (2)

Indicates the power status of the power drive system as a percentage. If the power is displayed as a positive value, it represents that the power system outputs power to drive

the vehicle; If the power is displayed as a negative value, it represents that the power system converts part of the kinetic energy into electrical energy.

Electricity Meter of High-Voltage Battery Pack (3)

The high-voltage battery pack status is indicated by the number of the bar segments illuminated. The low battery power warning lamp of high-voltage battery pack illuminates when only one bar segment is illuminated. As the battery level continues to drop, the leftmost bar segment and the low battery power warning lamp of high-voltage battery pack will flash simultaneously.

Caution

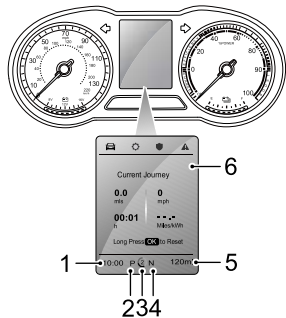
- When the high voltage battery power indicator displays a low charge condition connect to a charger and charge immediately.
- Before undertaking any journeys please ensure the high voltage battery contains enough power.

Electricity Meter of Low-Voltage Battery (4)

The voltage of the low-voltage battery is indicated by the number of the bar segments illuminated.

INSTRUMENTS AND CONTROLS

Information Centre



The information centre provides the followings:

- 1 Digital Clock
- 2 Gear Display
- 3 Energy Regeneration Level
- 4 Driving Mode
- 5 Total Mileage

6 General Information

Digital Clock

Displays the current time in digital form.

Gear Display

Displays the current gear (P, R, N, D).

If 'EP' is displayed it indicates a fault has been detected in the gear shift system. Please consult an MG Authorised Repairer immediately.

Energy Regeneration Level

Displays the current energy regeneration level of the vehicle (three levels in total). For more information, please refer to “Energy Regeneration (KERS)” in “Electric Drive System (EDS)” of “Starting & Driving” section.

Driving Mode

Displays the current driving mode of the vehicle: E (Eco Mode), N (Normal Mode) or S (Sport Mode).

For more information on the driving mode, please refer to “Driving Mode (MODE)” in “Electric Drive System (EDS)” of “Starting & Driving” section.

Total Mileage

Displays the total driving mileage of the vehicle.

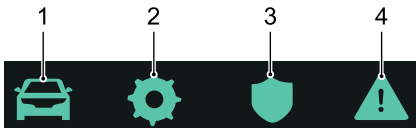
General Information

With the vehicle power system in the ON position, the general information function can be selected as follows:



- Press the UP/DOWN/LEFT/RIGHT button in the RH steering wheel multifunction switch pack, this will access and display the general information options.
- Press the UP/DOWN button in the RH steering wheel multifunction switch pack to make adjustments.
- Press the OK button in the RH steering wheel multifunction switch pack to confirm or long press the OK button to reset.

INSTRUMENTS AND CONTROLS



General information provides the following:

- 1 Trip Computer
- 2 Settings
- 3 Active Safety
- 4 Warning Information

Trip Computer

Trip computer functions contain the following:

- **Current Speed:** Displays the current vehicle speed in a digital form.
- **Range To Empty:** Displays the estimated mileage that the vehicle can travel before the high-voltage battery pack runs out.
- **Current Journey:** Displays the trip mileage, trip time, average speed and average power consumption since

vehicle start. It can be reset by long pressing the "OK" button in the RH steering wheel multifunction switch pack.

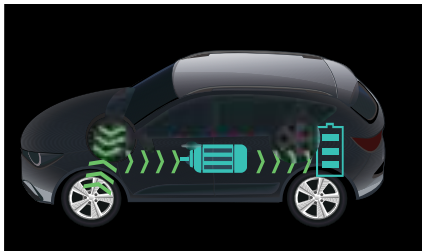
- **Accumulated Total:** Displays the trip mileage, trip time, average speed and average power consumption since last vehicle reset. It can be reset by long pressing the "OK" button in the RH steering wheel multifunction switch pack.
- **Electrical Information:** Displays the current operation state of the vehicle, including the voltage, current and motor speed.
- **Tyre Pressures:** Displays the current tyre pressure reading taken from each wheel.
- **Energy Flow:** Displays a graphic showing the current state of power flow.

Energy Flow Interface

The energy flow interface automatically switches between display graphics to depict the current drive state. The display reverts to the default screen that displays no power flow when the vehicle power system is switched to the READY state. Other modes are as follows:

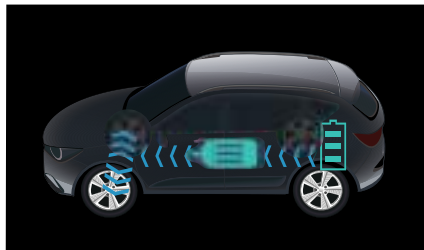
Energy Regeneration Mode

The motor recycles kinetic energy to charge the high-voltage battery pack.



Electric Drive Mode

The vehicle is driven by motor.



Settings

Brightness

Displays the current level and allows adjustment of the backlight brightness.

Note: This option can only be adjusted when the side lamps are on.

INSTRUMENTS AND CONTROLS

Speed Warning

Allows the setting of the over-speed alarm threshold, please note, the over-speed alarm function is turned off when "OFF" is displayed.

ESC OFF

Allows the setting of the Stability Control System to On or Off.

Next Service

Displays and facilitates the reset of the current vehicle maintenance information.

Active Safety

Displays the active safety information of the vehicle.

Warning Information

Displays any current warning, failure messages or important prompts.

Warning Message

Warning messages and prompts are displayed in the information centre in the instrument pack. Any communications are displayed in 'pop up' messages, these can be divided into the following categories:

- Operating Instruction
- System State Instruction
- System Malfunction Alert

Please follow the instructions displayed in the 'pop up' message or in the case of a warning message, please refer to the relevant section of the owners manual to follow the correct instructions.

The following are a selection of warning messages that may appear in the information centre.

INSTRUMENTS AND CONTROLS

1

Warning Message	Procedure
Ignition System Fault	Indicates that the ignition system has detected a fault. Please consult an MG Authorised Repairer immediately.
Start Stop Button Fault	Indicates that the Start Stop button has detected a fault. Please consult an MG Authorised Repairer immediately.
Passive Entry Fault	Indicates that the passive keyless entry (PKE) function has detected a fault. Please consult an MG Authorised Repairer as soon as possible.
ABS Fault	Indicates that the anti-lock brake system (ABS) has failed and the ABS function is about to be disabled. Please consult an MG Authorised Repairer immediately.

Warning Message	Procedure
Brake Fault	Indicates that the brake fluid could be low or a fault has been detected in the Electronic Brake-force Distribution (EBD) system. As soon as safety permits, stop the car, switch the vehicle power system to OFF and check the brake fluid level. Contact an MG Authorised Repairer as soon as possible.
Stability Control Fault	Indicates that the stability control system has detected a fault. Please consult an MG Authorised Repairer immediately.
Traction Control Fault	Indicates that the traction control system has detected a fault. Please consult an MG Authorised Repairer immediately.

INSTRUMENTS AND CONTROLS

Warning Message	Procedure
EPB System Fault	Indicates that the electronic parking brake system (EPB) has detected a fault. Please consult an MG Authorised Repairer as soon as possible.
Park Brake Force Not Enough	Indicates that there is an issue with the electronic parking brake, it may not be able to provide adequate clamping force. Contact an MG Authorised Repairer as soon as possible.
Autohold Fault	Indicates that the Autohold System has detected a fault. Please consult an MG Authorised Repairer as soon as possible.
Hill Descent Control Fault	Indicates that the hill descent control system has detected a fault. Please consult an MG Authorised Repairer as soon as possible.

Warning Message	Procedure
EPS Performance Reduced	Indicates that the electric power steering system has a general failure and that the steering performance has been reduced. As soon as conditions permit, safely stop the vehicle and switch the vehicle power system to the OFF position. After a short while, switch the vehicle power system to the READY position, drive the vehicle a short distance and monitor the operation of the steering, if the message is still displayed or the steering assistance reduced please contact an MG Authorised Repairer immediately.
EPS Assistance Failure	Indicates that the electric power steering system has failed. Please consult an MG Authorised Repairer immediately.

INSTRUMENTS AND CONTROLS

1

Warning Message	Procedure
Steering Angle Fault	Indicates that the steering angle sensor has failed. Please consult an MG Authorised Repairer as soon as possible.
Steering Angle Uncalibrated	Indicates that the steering angle sensor is not calibrated. Please consult an MG Authorised Repairer as soon as possible.
Vacuum System Fault	Indicates that the vacuum system has detected a fault. Please consult an MG Authorised Repairer immediately.
Airbag Fault	Indicates that the Airbag system has detected a fault. As soon as conditions permit, safely stop the vehicle and switch the vehicle power system to the OFF position and contact an MG Authorised Repairer immediately.

Warning Message	Procedure
Airbag Lamp Fail	It indicates that the airbag lamp has failed. Please consult an MG Authorised Repairer as soon as possible.
Pedestrian Alert System Fault	Indicates that the pedestrian alert system has detected a fault. Please consult an MG Authorised Repairer as soon as possible.
Front Left/Front Right/Rear Left/Rear Right Tyre Sensor Battery Low	Indicates that the Tyre Pressure Monitoring system has detected that a tyre pressure sensor has a low battery. Please consult an MG Authorised Repairer as soon as possible.
TPMS Fault	Indicates that the tyre pressure monitoring system has detected a fault. Please consult an MG Authorised Repairer as soon as possible.

INSTRUMENTS AND CONTROLS

Warning Message	Procedure
HV Battery Fault	Indicates that the HV battery has detected a fault. Please consult an MG Authorised Repairer immediately.
DANGER! Evacuate Vehicle Safely!	As soon as conditions permit, safely stop the vehicle and evacuate all occupants immediately. Contact an MG Authorised Repairer as soon as possible.
DCDC Charge Fault	Indicates that the DC-DC converter has failed. Please consult an MG Authorised Repairer immediately.
12V Battery Charging System Fault	Indicates that the 12V battery charging system has failed. Please consult an MG Authorised Repairer immediately.

Warning Message	Procedure
Vehicle Control System Fault	Indicates that the power system has failed. Please consult an MG Authorised Repairer as soon as possible.
Motor Overheating	Indicates that the drive motor has over-heated. As soon as conditions permit, safely stop the vehicle and switch the vehicle power system to the OFF position. Contact an MG Authorised Repairer as soon as possible.
EDU Coolant Overheating	Indicates that the Electric Drive System coolant has reached it's maximum threshold value. As soon as conditions permit, safely stop the vehicle and switch the vehicle power system to the OFF position. Please contact an MG Authorised Repairer.

INSTRUMENTS AND CONTROLS

1

Warning Message	Procedure
Motor Fault	Indicates a drive motor failure. As soon as conditions permit, safely stop the vehicle and switch the vehicle power system to the OFF position. Contact an MG Authorised Repairer as soon as possible.
Consult Dealer Immediately	Indicates that a fault has been detected with the HV battery pack relays. Contact an MG Authorised Repairer as soon as possible.

Warning Message	Procedure
ESCL Fault	Indicates that a fault has been detected with the Electronic Steering Column Lock (ESCL). As soon as conditions permit, safely stop the vehicle and switch the vehicle power system to the OFF position. Contact an MG Authorised Repairer as soon as possible.
Front Camera System Fault	It indicates that the front camera has detected a fault. Please consult an MG Authorised Repairer as soon as possible.
Front Camera Calibration Failed	Indicates that the front view camera module (FVCM) calibration has failed. Please consult an MG Authorised Repairer as soon as possible.

INSTRUMENTS AND CONTROLS

Warning Message	Procedure
RADAR Calibration Failed	Indicates that the radar module calibration has failed. Please consult an MG Authorised Repairer as soon as possible.
Lane Departure Warning System Fault	Indicates that the lane departure warning system (LDW) has detected a fault. Please consult an MG Authorised Repairer as soon as possible.
Lane Keep Assist System Fault	Indicates that the lane keep assist system (LKA) has detected a fault. Please consult an MG Authorised Repairer as soon as possible.
Forward Collision System Fault	Indicates that the forward collision warning system (FCW) has detected a fault. Please consult an MG Authorised Repairer as soon as possible.

Warning Message	Procedure
Auto Emergency Braking System Fault	Indicates that the auto emergency braking system (AEB) has detected a fault. Please consult an MG Authorised Repairer as soon as possible.
Pedestrian Auto Emergency Braking Fault	Indicates that the auto emergency braking system for pedestrians (AEBP) has detected a fault. Please consult an MG Authorised Repairer as soon as possible.
Manual Speed Assist Fault	Indicates that the Manual Speed Assist (MSA) function has failed. Please consult an MG Authorised Repairer as soon as possible.
Intelligent Speed Assist Fault	Indicates that the Intelligent Speed Assist (ISA) function has failed. Please consult an MG Authorised Repairer as soon as possible.

Warning Message	Procedure
MG Pilot System Fault	Indicates that the MG Pilot system has detected a fault. Please consult an MG Authorised Repairer as soon as possible.
Rear Drive Assist System Fault	Indicates that the rear drive assist system (RDA) has detected a fault. Please consult an MG Authorised Repairer as soon as possible.
ACC System Fault	Indicates that the adaptive cruise control system (ACC) has detected a fault. Please consult an MG Authorised Repairer as soon as possible.

INSTRUMENTS AND CONTROLS

Warning Lights and Indicators

Some warning lamps illuminate or flash accompanied by a warning tone. Certain warning lamps will be accompanied by a momentary warning symbol and text message displayed in the information centre in the instrument pack.

High Beam Indicator - Blue



The indicator illuminates when the headlamp high beam is turned on.

Side Lamp Indicator - Green



The indicator illuminates when the side lamps are on.

Auto Main Beam Indicator - Green



The indicator illuminates when the auto main beam function has switched on the main beam lamps.

Rear Fog Lamp Indicator - Yellow



The indicator illuminates when the rear fog lamps are on.

Direction Indicator Lamp - Green



The left and right direction indicator lamps are represented by directional arrows that are located at the top of the instrument pack. When the turning signal lamp flashes, the direction indicator lamp on the corresponding side also flashes. If the hazard warning lamps are operated, both direction indicator lamps will flash together. If either direction indicator lamp in the instrument pack flashes very rapidly, it indicates that the turning signal light on the corresponding side has failed.

Note: *Failure of a side repeater lamp will have no effect on the flash frequency of direction indicator lamp.*

Airbag Warning Lamp - Red



If this lamp illuminates, it indicates that there is a failure in the SRS or seat belt. Please seek an MG Authorised Repairer at the earliest opportunity. An SRS or seat belt fault may mean the components may not be deployed in the event of an accident.

Seat Belt Unfastened Warning Lamp - Red



If this lamp illuminates or flashes, it indicates that the seat belt for the driver or any front/rear passenger remains unfastened.

DCDC / Low-voltage Battery Charging System Malfunction Indicator Lamp - Red



When the vehicle power system is switched to the ON position this lamp illuminates as part of a self test, when the system is switched to READY the warning light will extinguish. If the warning light illuminates whilst

driving contact an MG Authorised Repairer at the earliest opportunity.

If the battery power is low, this lamp flashes and a prompt message appears in the information centre. In this case, the system will restrict or turn off some electrical devices, please ensure the vehicle power system is in READY mode to charge the battery.

Tyre Pressure Monitoring System (TPMS) Warning Lamp - Yellow



If this lamp illuminates, it indicates the tyre pressure is low, please check the tyre pressure.

If this lamp flashes first and then remains on after a period of time, it indicates the system has a failure. Please contact an MG Authorised Repairer at the earliest opportunity.

INSTRUMENTS AND CONTROLS

Stability Control/Traction Control System

Warning Lamp - Yellow



If this lamp illuminates, it indicates that the stability control/traction control system has a failure. Please contact an MG Authorised Repairer immediately.

If this lamp flashes during driving, it indicates the system is operating to assist the driver.

Stability Control/Traction Control System Off

Warning Lamp - Yellow



This lamp will illuminate if the dynamic stability control/ traction control system is manually switched off.

Hill Descent Control (HDC) On/Malfunction Indicator Lamp - Green/Yellow



Operating the HDC switch will activate the function, the system will enter the stand by mode and the

warning lamp illuminates green, the lamp will extinguish when the system is turned off. If the vehicle is under the control of HDC the green warning lamp will flash.

If the HDC system detects a fault or fails, the warning lamp illuminates yellow. Please contact an MG Authorised Repairer immediately.

ABS Malfunction Indicator Lamp - Yellow



If this lamp illuminates, it indicates that the ABS has a failure. Please contact an MG Authorised Repairer immediately.

If an ABS failure occurs while driving, ABS operation will be suspended, but normal braking will still be available. Please contact an MG Authorised Repairer immediately.

Brake System Malfunction Indicator Lamp - Red



If this lamp illuminates, it indicates a failure with the braking system such as brake fluid loss or electronic brake force distribution failure. Please stop the car as

soon as safety permits, switch the vehicle power system to the OFF position and check brake fluid level (refer to "Brake Fluid Check and Top Up" under the "Maintenance" section). If the brake fluid level appears satisfactory contact an MG Authorised New Energy Repairer at the earliest opportunity.

Electric Power Steering System (EPS)/ Electronic Steering Column Lock (ESCL)

Warning Lamp - Yellow/Red



When this lamp illuminates yellow, it indicates that the EPS has a general failure and the performance is reduced. Please stop the car as soon as safety permits, switch the vehicle power system to the OFF position. Then restore the vehicle to READY and drive the vehicle for a short while. If this lamp remains on, please contact an MG Authorised Repairer immediately.

When this lamp illuminates red, it indicates that the EPS has a failure relevant to the steering angle sensor.

Please contact an MG Authorised Repairer at the earliest opportunity.

When this lamp illuminates red and flashes, it indicates that the EPS has a severe failure. Please contact an MG Authorised Repairer immediately.

If this lamp illuminates yellow and flashes, it indicates that the electronic steering column lock has failed. Please stop the car as soon as safety permits, switch the vehicle power system to the OFF position and seek an MG Authorised Repairer immediately. If the lamp extinguishes after a very short period it may be indicating that the steering is locked due to abnormal forces placed on the steering gear, please move the steering wheel left to right to allow the lock to operate without the influence of external forces.

Anti-theft System Warning Lamp - Red



If no valid key is detected, this lamp illuminates red. Please use the correct key, or put the smart key at the bottom of the centre console cup holder. For specific location requirements, refer to "Alternative Starting Procedure" in "Starting & Driving" section.

INSTRUMENTS AND CONTROLS

If the remote key battery is low, this lamp will flash. Please replace the battery as soon as possible.

Electronic Parking Brake (EPB)/Automatic Parking Status Indicator Lamp - Red/Green



If this lamp illuminates red, it indicates the electronic parking brake is enabled or in the process of dynamic braking. When it flashes red, it indicates the electronic parking brake has failed. Please contact the MG Authorised Repairer at the earliest opportunity.

When the auto hold system is operating to assist the driver, this lamp illuminates green.

Electronic Parking Brake (EPB) System Malfunction Indicator Lamp - Yellow



If an electronic parking brake system failure is detected or the system is under diagnosis, the indicator lamp will illuminate. Please contact an MG Authorised Repairer at the earliest opportunity.

READY Indicator - Green



This lamp is used to indicate that the vehicle is ready for driving.

Charging Status Indicator - Yellow



When the vehicle is connected to an external power supply for charging, this lamp will remain on during charging and extinguish after charging is completed.

Charging Connection Indicator - Red



This lamp will illuminate when the vehicle is connected to a charge point.

Power System Malfunction Indicator Lamp - Red



This lamp will illuminate if a power system failure is detected. Please contact an MG Authorised Repairer as soon as possible.

Motor Overheat Warning Lamp - Red



This lamp will illuminate if the motor temperature is too high. As soon as conditions permit, safely stop the vehicle and switch the vehicle power system to the OFF position. Please contact an MG Authorised Repairer as soon as possible.

High-voltage Battery Pack Low Battery Warning Lamp - Yellow



This lamp will illuminate when the high voltage battery charge is low, if the voltage continues to drop, this

lamp will flash. Where possible please charge the high voltage battery before this lamp enters the flashing stage.

High-voltage Battery Pack Cutoff Warning Lamp - Yellow



When the high-voltage battery pack is connected, this lamp will not illuminate. This lamp will only illuminate when the high voltage battery is disconnected or isolated.

High-voltage Battery Pack Malfunction Indicator Lamp - Red



This lamp will illuminate if a fault is detected or the high voltage battery fails. Please contact an MG Authorised Repairer immediately.

This lamp will flash if the high voltage battery temperature is too high. Please stop the car as soon as safety permits, switch the vehicle power system to the OFF position, and

INSTRUMENTS AND CONTROLS

leave the vehicle immediately. Contact an MG Authorised Repairer at the earliest opportunity.

If a high-voltage battery pack relay adhesion failure is recorded, this lamp flashes. Please contact an MG Authorised Repairer as soon as possible.

Driving Power Limited Warning Lamp - Yellow



This lamp will illuminate if the vehicle power has been reduced.

Lane Departure Warning System Indicator - Green/Yellow



This lamp will illuminate yellow when the Lane Departure Warning function is enabled, the lamp will extinguish when the function is disabled.

This lamp will illuminate green when the Lane Departure Warning function is activated.

If the Lane Departure Warning System is not able to function normally the lamp will flash yellow and then remain on after a period of time. Please contact an MG Authorised Repairer.

For more information, please refer to “Lane Departure Warning System (LDW)” in “Starting & Driving” section.

Lane Departure Prevention System Indicator - Green/Yellow



This lamp will illuminate yellow when the Lane Departure Prevention function is enabled, the lamp will extinguish when the function is disabled.

This lamp illuminates green when the Lane Departure Prevention function is activated.

If the Lane Departure Prevention System is not able to function normally the lamp will flash yellow and then remain on after a period of time. Please contact an MG Authorised Repairer.

For more information, please refer to “Lane Departure Prevention System (LDP)” in “Starting & Driving” section.

Lane Keeping Assist System Indicator - Green/Yellow



This lamp will illuminate yellow when the Lane Keeping Assist function is enabled, the lamp will extinguish when the function is disabled.

This lamp illuminates green when the Lane Keeping Assist function is activated.

If the Lane Keeping Assist System is not able to function normally the lamp will flash yellow and then remain on after a period of time. Please contact an MG Authorised Repairer.

For more information, please refer to “Lane Keeping Assist System (LKA)” in “Starting & Driving” section.

MG Pilot System Indicator - Green/Yellow



This lamp will illuminate yellow when the MG Pilot function is enabled, the lamp will extinguish when the function is disabled.

This lamp illuminates green when the MG Pilot function is activated.

If the MG Pilot System is not able to function normally the lamp will flash yellow and then remain on after a period of time. Please contact an MG Authorised Repairer.

For more information, please refer to “MG Pilot System” in “Starting & Driving” section.

Forward Collision Warning System Indicator - Yellow



This lamp will illuminate yellow when the Forward Collision Warning function is disabled.

If the Forward Collision System is not able to function normally the lamp will flash yellow and then remain on

INSTRUMENTS AND CONTROLS

after a period of time. Please contact an MG Authorised Repairer.

For more information, please refer to “Forward Collision Warning System (FCW)” in “Starting & Driving” section.

Automatic Emergency Braking System (AEB) and Automatic Emergency Braking System for Pedestrians (AEBP) Indicator - Yellow



This lamp will illuminate yellow when the Autonomous Emergency Braking System (AEB) or Autonomous Emergency Braking System for Pedestrian (AEBP) function is disabled.

If the AEB or AEBP system is not able to function normally the lamp will flash yellow and then remain on after a period of time. Please contact an MG New Energy Authorised Repairer.

For more information, please refer to “Automatic Emergency Braking System (AEB) and Automatic

Emergency Braking System for Pedestrians (AEBP)” in “Starting & Driving” section.

Adaptive Cruise Control System Indicator - Yellow/Green



If the Adaptive Cruise function is enabled, the Adaptive Cruise Control System will enter the standby state, the lamp illuminates yellow.

When the Adaptive Cruise Control System operates, the lamp will illuminate green, this indicates that the Adaptive Cruise Control System is activated.

Adaptive Cruise Control System Malfunction Indicator Lamp - Yellow



This lamp will illuminate if an Adaptive Cruise Control System failure is detected. Please contact an MG Authorised Repairer as soon as possible.

Manual Speed Assist System Indicator - Green/Yellow



This lamp will illuminate yellow when the Manual Speed Assist function is enabled, the lamp will extinguish when the function is disabled. For specific operation, please refer to “Speed Assist System (SAS)” in “Starting & Driving” section. If the current speed of the vehicle is above the maximum value allowed by the system the vehicle remains in the stand by state and the lamp will illuminate yellow.

This lamp illuminates green when the Manual Speed Assist function is activated.

If the Manual Speed Assist System is not able to function normally the lamp will flash yellow and then extinguish. Please try to reinstate this function. If this function cannot be switched on, please contact an MG Authorised Repairer.

For more information, please refer to “Speed Assist System (SAS)” in “Starting & Driving” section.

Intelligent Speed Assist System Indicator - Green/Yellow



This lamp will illuminate yellow when the Intelligent Speed Assist function is enabled, the lamp will extinguish when the function is disabled.

This lamp illuminates green when the Intelligent Speed Assist function is activated.

If the Intelligent Speed Assist System is not able to function normally the lamp will flash yellow and then extinguish. Please try to reinstate this function. If this function cannot be switched on, please contact an MG Authorised Repairer.

For more information, please refer to “Speed Assist System (SAS)” in “Starting & Driving” section.

Manual Speed Assist System Speed Indicator



This lamp will illuminate when the Manual Speed Assist function is enabled. 'NNN' denotes the current

INSTRUMENTS AND CONTROLS

setting value of the speed limit. If there is no speed limit value the lamp will display ' — '.

Speed Limit Sign Indicator - Red



'NNN' denotes the speed value of speed limit sign currently recognised. If there is no speed limit value available the lamp will display ' — '.

When the Intelligent Speed Assist function is activated or SLIF Warning function is enabled, the lamp will flash if the speed limit value is exceeded, please slow down.

Speed Limit Sign Additional Information

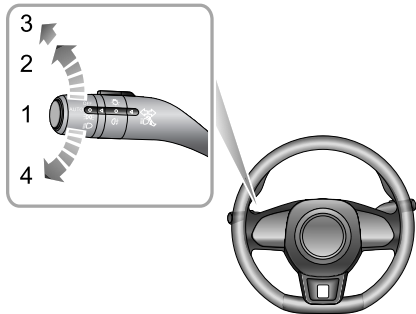
Warning Lamp- Yellow



This lamp will illuminate when the speed limit sign currently recognised has additional information. Please pay attention to it.

Lights and Switches

Master Lighting Switch



- 1 AUTO Lamp
- 2 Side Lamps and Switch Illumination
- 3 Dipped Headlamps
- 4 Lights OFF

AUTO Lamp

When the vehicle power system is in the ACC position, the auto lighting system defaults to the ON position (1). The auto lighting system will automatically switch the side lamps and switch illumination on and off according to the intensity of current ambient light.

With the vehicle power system switched to ON position, the auto lighting system defaults to the ON position (1). The auto lighting system will automatically switch the side lamps, switch illumination and dipped headlamps on and off according to the intensity of current ambient light.

Note: This function is realized by fitting a sensor capable of monitoring exterior lighting conditions in real time on your vehicle. The sensor is fitted in the centre of the fascia panel near the windscreen in some models. **DO NOT** mask or cover this area, or headlamps may automatically go on when not necessary.

INSTRUMENTS AND CONTROLS

Side Lamps and Switch Illumination

Turn the master lighting switch to position 2 to operate the side lamps and switch illumination. With the vehicle power system in the OFF position if the lighting switch is in position 2 and the driver's door opened an audible warning will sound to alert the driver, the side lamps will remain on.

Dipped Headlamps

When the vehicle power system is in the ON position, turn the master lighting switch to position 3 to operate the dipped headlamps and side lamps.

Lights Off

Turn the master lighting switch to position 4, this will switch off all lamps, releasing the switch will allow it to return to the AUTO switch position.

Follow Me Home

After the vehicle power system is turned off, pull the lighting stalk switch towards the steering wheel. This will enable the Follow Me Home function, dipped beam headlamps and rear fog lamps will illuminate depending

upon the vehicle configuration. For some models, it can be set in the "Comfort and Convenience" in "Vehicle" settings on the entertainment display.

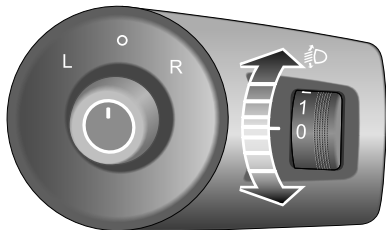
Daytime Running Lamp

The daytime running lamps turn on automatically when the vehicle power system is in the ON position. When the side lamps are switched on, the daytime running lamps extinguish automatically.

Find My Car

After the vehicle has been left in a locked condition in excess of 2 minutes, pressing the lock button again on the remote key will enable the Find My Car function. This function will identify the car by means of an audible and visual alert. Pressing the Lock button on the handset again will suspend this operation. Pressing the Unlock button will cancel this operation. On some models this feature can be set via "Comfort and Convenience" in the Vehicle Settings on the entertainment display.

Headlamp Levelling Manual Adjustment



Position 0 is the initial position of the headlamp levelling adjustment switch. The headlamp levelling adjustment can be made as per the following table according to the vehicle load.

Location	Load
0	Driver, or driver & front passenger.
1	All the seats occupied with no load.
2	All the seats occupied plus an evenly distributed load in the boot, or driver with full load.
3	Driver only, plus an evenly distributed load in the boot.

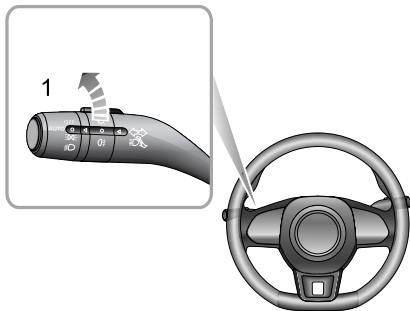
INSTRUMENTS AND CONTROLS

Fog Lamp Switch



Fog lights should only be used when visibility is below 100m - other road users could be dazzled in clear conditions.

will turn on the rear fog lamps, release the switch to allow it to return to the last position. The indicator illuminates in the instrument panel when the rear fog lamps are on.



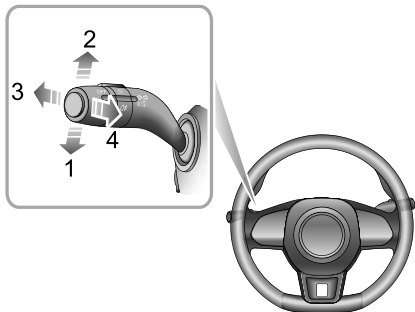
Rear Fog Lamps

With the vehicle power system in the ON position and the headlamps on, turn the fog lamp switch to position I, this

Direction Indicator/Main Beam Switch



Take care not to dazzle oncoming vehicles when driving using main beam headlamps.



Direction Indicators

Move the lever down to indicate a LEFT turn (1). Move the lever up to indicate a RIGHT turn (2). The corresponding

GREEN indicator lamp in the instrument pack will flash when the turning signal lamps are working.

Rotating the steering wheel will cancel the indicator operation (small movements of the steering wheel may not operate the self cancelling). To indicate a lane change, move the lever briefly and release, the indicators will flash three times and then cancel.

Headlamp High/Low Beam Switching

With the vehicle power system in the ON position and the master lighting switch turned to position 3, or the auto function has switched the lights on, push the lever (3) towards the instrument panel to operate the headlamp high beam. The high beam indicator lamp in instrument pack illuminates, press the lever (3) again to revert back to low beam.

High Beam Flash

To briefly flash the high beam on and off, pull the lever towards the steering wheel (4) and then release.

Smart Main Beam System

INSTRUMENTS AND CONTROLS



Smart main beam system serves only as an auxiliary function. The driver still needs to check the status of the front lamps and operate them accordingly when necessary.

For example: The main beam may not be turned off automatically in the following cases, thus the manual switching between the main beam and dipped beam is required:

- **The windscreen is dirty, broken or obstructed by other objects blocking the view of the sensor.**
- **The lamps of other vehicles are missing, damaged, obscured or partially obscured so that your vehicle is unable detect another vehicle.**
- **The lamps of other vehicles are obscured or partially obscured by smoke, fog, snow, water spray or any other conditions that effect visibility.**
- **When pedestrians, non-motor vehicles and other objects that emit or reflect no light are encountered.**

- **When the headlamps and tail lamps of other vehicles cannot be detected due to the sensor view is impaired due undulating road conditions such as bends, dips or hills.**
- **If the angle of the sensor is out of tolerance due to the car pitch angle being excessive when carrying heavy loads.**

In any of the cases mentioned above (but not limited to) the smart main beam operation may require switching off.

The smart main beam system uses the front view camera to detect the light intensity of the vehicle ahead. The main beam lamps can be switched on or off automatically by the system when the surroundings are dark and no light detected.

To enable the smart main beam system, the following conditions should be met:

- I The master lighting switch must be in the 'Auto' position and the dipped beam lamps switched on via automatic control.

- 2 The vehicle is powered and the speed is above 25mph (40km/h).
- 3 The rear fog lamps are not turned on.

When the smart main beam system is enabled, the auto main beam indicator on the instrument pack illuminates.

The main beam lamps will remain on under automatic control until any of the following conditions occur:

- The system detects the headlamps of approaching vehicles.
- The system detects the tail lamps of vehicles ahead.
- The surroundings become bright enough not to require main beam.
- The vehicle speed drops below the 25mph (40 km/h) threshold.

The system will temporarily suspend the smart main beam function once the following conditions are met:


With the smart main beam system enabled, instantaneously pull the lighting lever towards the steering wheel, the smart main beam function will be temporarily suspended and it will recover after the switch is released.

Note: Continuously operating the main beam switch within 2 seconds will retain the main beam lamps under automatic control.

IMPORTANT

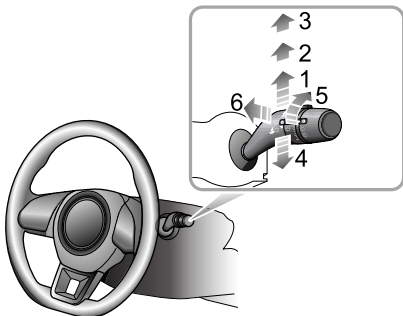
The smart main beam function uses data from the front view camera, always keep the windscreen clean and free from residue in this area to maintain optimum performance of this system. Any damage in this area, such as stonechips must be repaired at the earliest convenience.

Hazard Warning Lamp

Press the hazard warning lamp button  to turn on the hazard warning lamps. The turning signal lamps and direction indicator lamps will flash together. Press the button again to switch off the hazard warning lamps. All turning signal lamps and direction indicator lamps will stop flashing. For more details and location refer to 'Emergency Information' 'Hazard Warning Devices'.

INSTRUMENTS AND CONTROLS

Wipers and Washers



Windscreen Wiper Operation

The wipers and washers will only operate with the vehicle power system in the ACC or ON position. Operate the lever to select different wipe speeds:

- Intermittent wiper (1)
- Slow wiper (2)

- Fast wipe (3)
- Single wipe (4)
- Automatic wipe interval adjustment * / Rain sensor sensitivity adjustment *(5)
- Programmed wash/wipe (6)

Intermittent Wipe

By pushing the lever up to the Intermittent wiper position (1), the wipers will operate automatically. Turn the switch (5) * to adjust the intermittent wipe frequency. This speed will also change with the vehicle speed. As the vehicle speed increases, the wiper frequency increases. As the vehicle speed decreases, the wiper frequency decreases.

Some models are equipped with a rain sensor fitted to the interior rear view mirror base to detect varying amounts of water on the outside of the windscreen. With automatic wipe, the vehicle will adjust the wiping speed according to the signals provided by rain sensor. Turn the switch (5) * to adjust the sensitivity of rain sensor. As the sensitivity increases, the wiping interval decreases.

Note: Immediately operating the wiper one time can be achieved by increasing the sensitivity of rain sensor.

If the rain sensor detects a continuous rainwater, the wiper will keep working. When no rain is detected, it is recommended to switch off automatic wipe.

Slow Wipe

By pushing the lever up to the slow wipe position (2), the wipers will operate slowly. Move the lever to re-select the wipe speed.

Fast Wipe

By pushing the lever up to the fast wipe position (3), the wipers will operate fast. Move the lever to re-select the wipe speed.

Single Wipe

Pressing the lever (4) down and releasing will operate a single wipe, if the lever is held down, the wipers will operate at high speed until the lever is released.

Note: When the car is stationary, if the bonnet is opened, the front wiper/washer will stop work immediately.

IMPORTANT

- Avoid operating the wiper on a dry windscreen.
- In freezing or extremely hot weather conditions, make sure that the wiper blades are not frozen/adhered to the windscreen.
- In winter, remove snow or ice from around the arms and blades, including the wiped area of the screen.

Programmed Wash/Wipe

Pulling the lever toward the steering wheel (6) will operate the windscreen washers. After a short delay, the wipers will commence operating in conjunction with the washers.

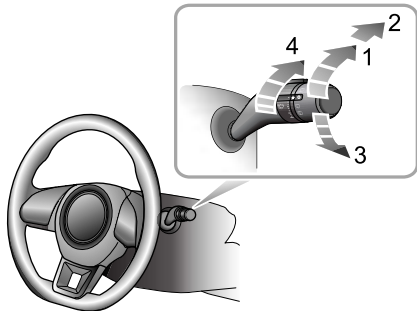
Note: The wipers continue operating for a further three wipes after the lever is released. After several seconds, there will be a further wipe to remove any fluid draining down the screen.

INSTRUMENTS AND CONTROLS

IMPORTANT

If the washers fail to deliver the screen wash solution (dirt or ice may have blocked the jets), release the lever immediately. This will prevent the wipers from operating, and the consequent risk of visibility being impaired by dirt smearing across the unwashed windscreen.

Rear Window Wiper Operation



- Intermittent wipe (1)
- Wash and wipe (2)
- Wash and wipe (3)
- Intermittent wipe frequency adjustment (4)

The rear window wiper and washer will only operate with the vehicle power system in the ACC or ON position. Turn the rear window wiper switch to intermittent wipe (1), the rear window wiper will operate, after 3 consecutive wipes,

the wipers will enter into intermittent mode. The time period between the wipes can be increased/decreased via the intermittent wipe frequency adjustment switch (4).

Turn the rear window wiper switch to wash and wipe (2) position and hold, the rear window wiper and washer will operate, the rear window wiper wipes quickly. release the switch allowing it to return to intermittent wipe (1), the rear window washer will stop operating, and the wiper wipes slowly, change the stalk switch position 4 to adjust the wipe speed.

Turn the rear window wiper switch to wash and wipe (3) and hold, the rear window wiper and washer will operate. release the switch allowing it to return to OFF position, the rear window washer will stop operating, and the rear window wiper wipes for 3 times, after several seconds, the wiper will wipe once more to remove the washer fluid on the windscreen.

Note: When the tailgate is opened, rear window wiper operations will be disabled.

Note: When the windscreen wipers are switched on, if the shift control knob is moved to, or in the R position, the rear window wiper will operate.

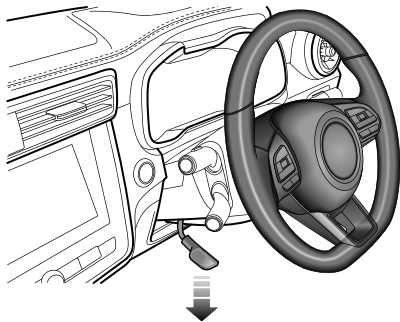
INSTRUMENTS AND CONTROLS

Steering System

Adjustment of Steering Column



DO NOT attempt to adjust the angle of the steering column while the vehicle is in motion. This is extremely dangerous.



To adjust the angle of the steering column to suit your driving position:

- 1 Fully release the locking lever.
- 2 Hold the steering wheel in both hands and tilt the steering column up or down to move the wheel into the most comfortable position.
- 3 Once a comfortable driving position has been selected, pull the locking lever fully up to lock the steering column into its new position.

Electric Power Steering



If the electric power steering fails or cannot operate the steering will appear very heavy, this will affect driving safety.

The electric power steering system only works when the vehicle is in READY mode. The system operates via a motor with assistance levels automatically adjusted based on vehicle speed, steering wheel torque and steering wheel angle.

IMPORTANT

Holding the steering wheel on full lock for long periods will result in a reduction in power assistance causing a heavier feel to the steering for a short period of time.

Electric Power Steering (EPS) Warning Lamp

See "Warning Lamps and Indicators" under the "Instruments and Controls" section.

INSTRUMENTS AND CONTROLS

Horn



Press the horn button area on the steering wheel (as indicated by the arrow) to operate the horn.

Note: *The vehicle horn switch location and the driver's airbag are located in close proximity on the steering wheel. The illustration shows the position of the horn switches, please ensure that you press in this area to*

avoid any potential conflict with the operation of the airbag.

IMPORTANT

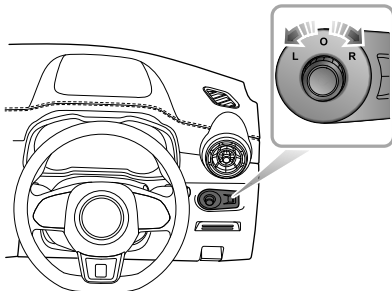
To avoid possible SRS issues, please do not press with excessive force or hit the airbag cover when operating the horn.

Mirrors

Door Mirrors


Note: Objects viewed in door mirrors may appear further away than they actually are.

Electric Door Mirror Glass Adjustment



- The mirror adjustment function will work with the power system in all modes, including OFF, ACC and ON/READY.
- Rotate the knob to select left (L) or right (R) rearview mirror.
- Move the knob in the desired direction to adjust the angle of the exterior mirror glass.
- Upon completion of the adjustment, rotate the knob back to the central position, this will ensure no accidental adjustment of the mirror.

Heating Elements *

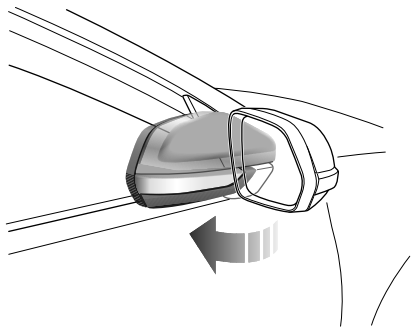
The door mirrors have integral heating elements which disperse ice or mist from the glass. The heating elements operate while the Heated Rear Window  is switched on.

Note: The heating elements of rear window and mirror will only work when the power system is running.

Mirror Folding

The mirrors can be folded back towards the side windows into a 'park' position to enable the car to negotiate narrow openings and avoid collisions.

INSTRUMENTS AND CONTROLS



Manual Folding of Door Mirror *

For vehicles not fitted with the electric door mirror fold option, the exterior mirrors can only be folded backwards manually.

Electric Folding of Door Mirror *

For vehicles fitted with electric door mirror folding, rotate the knob to the middle position, and push the knob down.

The door mirrors will be folded automatically. Pushing the knob downwards again will return the mirrors to their original position.

Operating the key fob lock/unlock buttons will fold/unfold the door mirrors.

A folded door mirror will automatically unfold when the vehicle speed exceeds 10 mph (15 km/h) once per power cycle.

Note: *Electrical folding door mirrors that have been moved from their positions by manual or accidental means must be reset by operating the knob to complete fold and deployment one time.*

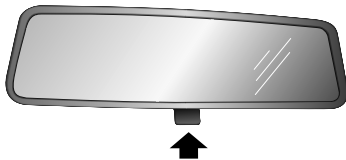
IMPORTANT

- Door mirror glass adjustments are operated by electrical motors. Operating them directly by hand may damage the internal components.
- Washing or flushing door mirrors with high pressure water jets or car washes may result in electrical motor failure.

Interior Rearview Mirror

Adjust the body of the interior rearview mirror to achieve the best possible view. The anti-dazzle function of the interior rearview mirror helps to reduce glare from the headlamps of following vehicles at night.

Manual Anti-dazzle Interior Rearview Mirror



Move the lever at the base of the mirror forward to 'dip' the mirror and achieve the anti-dazzle function. Normal visibility is restored by pulling the lever back again.

Note: *In some circumstances, the view reflected in a 'dipped' manual mirror can confuse the driver as to the precise location of following vehicles.*

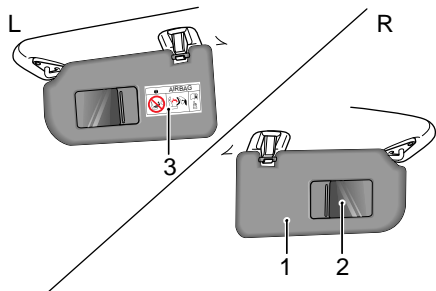
INSTRUMENTS AND CONTROLS

Sunvisors



The vanity mirror on the driver side should only be used when the car is stationary.

Sunvisors (1) are arranged on the roof ahead of both the driver and the front passenger. Some models have vanity mirrors (2), depending on the vehicle configuration. For the models which feature vanity mirrors, pull the sunvisor downward and slide the cover aside to use the vanity mirror.

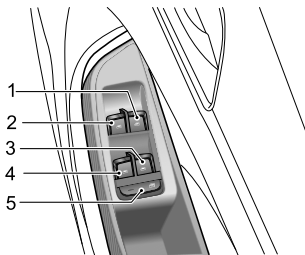


Note: *Warnings and instructions on use of child restraints (3) are attached to both sides of the passenger sunvisor.*

NEVER use a rearward facing child restraint on a seat protected by an ACTIVE AIRBAG in front of it, **DEATH** or **SERIOUS INJURY** to the **CHILD** can occur. Refer to 'Disabling the Passenger Airbag'.

Windows

Power Operated Window Switch



- 1 Front Right Window Switch
- 2 Front Left Window Switch
- 3 Rear Right Window Switch
- 4 Rear Left Window Switch
- 5 Rear Window Isolation Switch

Window Operation



Ensure children are kept clear when raising or lowering a window.



Improper use or activation of the electric windows by children could cause serious harm or even death. It is the responsibility of the driver and adult passengers to ensure that when carrying children the necessary steps are taken to isolate the window operation. This should include the removal of the key when children are left alone in the vehicle.

Push the switch (1-4) down to lower, and pull the switch up to raise the window. The window will stop moving as soon as the switch is released (unless the 'One-Touch' function is active).

Note: *The front and rear passenger windows can also be operated by individual window switches, mounted on each door. The rear window switches will not be operated if the rear window isolation switch has been activated.*

INSTRUMENTS AND CONTROLS

Note: *The electric window can be operated with the vehicle power system in the ACC, ON and READY positions. (For safety: doors should be closed).*

Rear Window Isolation Switch

Press the button (5) to isolate the rear window controls, press again to restore control.

Note: *It is recommended that you ISOLATE the rear window switches when carrying a child.*

“One-Touch” Down

The driver's window control switch (1) has 2 positions. Short press the window control switch to the "2" position and release. The window automatically descends to fully open. Window movement can be stopped at desired position at any time by operating the corresponding switch during descent.

“One Touch” Up with “Anti-Trap”

The driver's window control switch (1) has the “one-touch” up function. Lifting the switch to the "2"

position for a short time and releasing will automatically close the window completely. Window movement can be stopped at a desired position at any time by briefly operating the switch again.

“The “Anti-Trap” function is a safety feature which prevents the window from fully closing if an obstruction is sensed - if this happens the window will open slightly to allow the obstruction to be removed.

Note: *DO NOT operate the power window controls continuously several times in a short time frame, otherwise the power window controls may be disabled to protect the motor. If this occurs, please wait a few seconds until the motor cools down. In the case of the driver's window with "One Touch and Anti-Trap" please wait 30 seconds prior to operation. In some cases it may take 30 minutes to completely cool down, during which time the negative battery lead should not be disconnected.*

Note: *If the battery is disconnected, the “One-Touch” and “Anti-Trap” features will be lost. To restore this*

feature, fully open and then fully close the window holding the switch for 5 seconds in the closed position.

INSTRUMENTS AND CONTROLS

Sunroof *

Instructions



DO NOT allow passengers to lean out of an open sunroof whilst the vehicle is in motion. Injuries may occur from objects such as tree branches.

- Avoid fully opening the sunroof during rain showers.
- It is advised not to open the sunroof at high speeds.
- Where possible, please clean off any residual water or raindrops off the sunroof prior to opening. Failure to do so may result in water entering the car.
- DO NOT use abrasive materials to clean the sunroof glass. Use only proprietary glass cleaner or alcohol based solvent.
- DO NOT hold the operating switch in the open/close position for any length of time after operation is complete, this could damage the electrical components.
- Clean the sunroof regularly to maintain operation and performance. Visit an MG Authorised Repairer for service as required.

Sunroof Operation



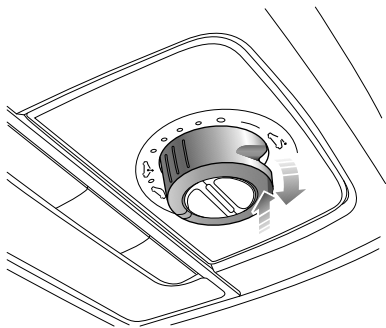
Safety of the vehicle occupants must be observed at all times. DO NOT allow limbs to be placed in the moving path of the sunroof at any time, injury may occur.

The sunroof will operate when the vehicle power system is in the ACC, ON or READY modes.

The sunroof consists of two glass panels, only the front section can be opened by sliding or tilting. The sunshade can be opened or closed as a complete unit.

The opening method is depicted in the switch graphics and described as follows:

Sunroof Glass Operation



Opening the Sunroof using Tilt

With the sunroof glass fully closed, press the rear part of the switch in the direction of the arrow as indicated in the graphic to fully 'tilt' the glass to the open position. Operation can be interrupted at the desired point by pressing the switch again.

Closing the Sunroof from Tilt

Pull down the rear of the switch to automatically close the sunroof in the direction as indicated by the arrow. Briefly pull down on the switch again will interrupt the operation at the desired position.

To manually close the sunroof, pull down the rear of the switch in the direction as indicated by the arrow and hold, until the sunroof reaches the desired position.

Open the Sunroof Glass by Sliding



Rotate the switch completely clockwise and hold until the sunroof slides fully open. To partially open the sunroof, place the switch in the required range position.

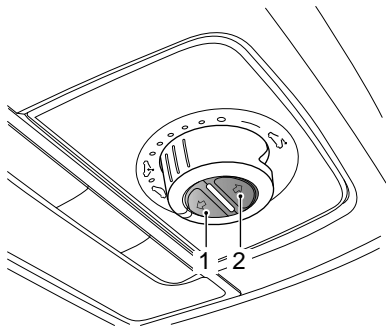
Close the Sunroof Glass by Sliding



Rotate the switch completely counterclockwise, the sunroof will slide fully closed. To partially close the sunroof, place the switch in the required range position.

INSTRUMENTS AND CONTROLS

Sunroof Sunshade Operation



Open the sunshade.

Short press the button (2) to automatically open the sunshade to its full extent. Short press the button at any time to cancel the request and stop the sunshade at that position.

To manually open the sunshade, press and hold the button until the sunshade reaches the desired position, then release it.

Close the Sunshade

Short press the button (1) to automatically close the sunshade completely. Short press the button at any time to cancel the request and stop the sunshade at that position.

To manually close the sunshade, press and hold the button until the sunshade reaches the desired position, and release it.

Note: *If the vehicle is to be parked in direct sunlight for a length of time it is recommended that the sunshade be closed to protect the interior trim components from damage, and to help regulate the in car temperatures.*

Anti-pinch Function

The sunroof and sunshade feature an “Anti-Pinch” function, this is a safety feature which prevents the sunroof or sunshade from fully closing whilst in the automatic mode if an obstruction is sensed - if this

happens the sunroof/sunshade will open slightly to allow the obstruction to be removed.

Forcibly Closing the Sunroof (over-riding the anti pinch)

To forcibly close the sunroof glass after an anti-pinch intervention, gently pull the rear of the switch downwards within 5 seconds and hold in position until the sunroof glass is fully closed.

Note: The anti pinch function is suspended during this operation.

Forcibly Closing the Sunshade (over-riding the anti pinch)

To forcibly close the sunshade after an anti-pinch intervention, press the close button within 5 seconds and hold it until the sunshade is fully closed.

Note: The anti pinch function is suspended during this operation.

Note: The anti-pinch function only works when closing the sunroof during the slide operation.

Sunroof Initialisation

In the event of a power failure or battery disconnection when the sunroof glass or sunshade is in motion, the sunroof/sunshade will require initialisation when the power is restored.

To carry out the sunroof glass initialisation operation:

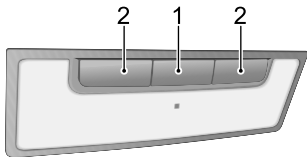
Fully close the glass - gently pull the rear of the switch downward and hold in position for 10 seconds, the sunroof will open a preset amount and stop, it will then close automatically- the sunroof glass is then initialised. During the whole process, the switch must remain in the pulled down position.

To carry out the sunshade initialisation operation:

Fully close the sunshade - press the close switch and hold in position for 10 seconds, the sunshade will open a preset amount and stop, it will then close automatically- the sunshade is then initialised. During the whole process, the switch must remain pressed.

INSTRUMENTS AND CONTROLS

Interior Lights



Press any one of buttons (2) to switch on the corresponding lamp, and press it again to switch the lamp off.

Automatic Operation

Press the interior lights switch button (1) to turn on automatic operation, and press it again to turn off the function.

Interior light illumination occurs automatically whenever the following occur.

- The car is unlocked.
- Any door or the tailgate is opened.

- The vehicle power system is switched off, providing the sidelights have been illuminated during the previous 30 seconds.

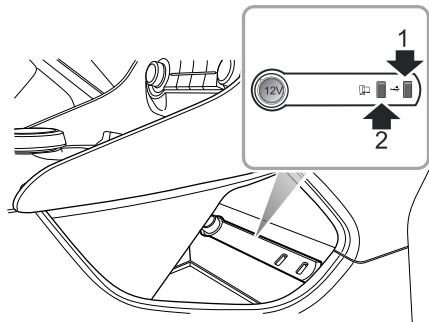
Note: *If a door or the tailgate is open for more than 15 minutes, the front interior lamp will be switched off automatically to avoid battery drain.*

Front Power Socket

! Please ensure the socket blanking plug is inserted when the power socket is not in use. This will ensure no debris or foreign objects enter the socket preventing its use or cause short circuits.

! The 12V power socket has a voltage rating of 12V, and the maximum power of 120 Watt, please **DO NOT** use any electrical appliance that exceeds this rating.

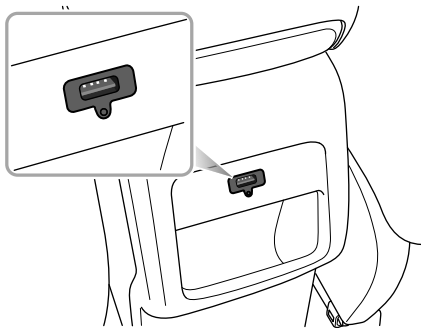
! Extended use of the accessory power socket and USB socket when the vehicle power system is switched off will cause premature discharging of the vehicle battery.



The 12V power socket is located under the shift control knob assembly in the centre console. It can be used as a power supply when the START STOP Switch is in the ACC or ON/READY positions when the blanking plug is removed.

Located to the right of the power socket are two USB ports. Both of them can be used to provide a 5V power supply or a data transmission connection.

INSTRUMENTS AND CONTROLS



One additional USB port is located in the rear of centre console. It can be used to provide a 5V power supply only.

Note: *Due to differences in configuration the charging function of the USB port will be slower.*

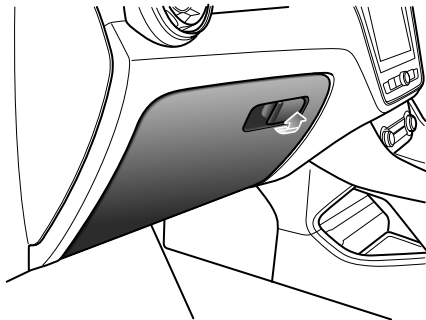
Note: *The vehicle is not supplied with a cigar lighter. If required please contact your local MG Authorised Repairer.*

Storage Devices

Instructions

- Please close all storage devices when the vehicle is in motion. Leaving these storage devices open may cause personal injury in cases of a sudden start-off, emergency braking and a car accident..
- Do not place flammable materials such as liquid or lighters in any storage devices. The heat in hot conditions may ignite flammable materials and lead to a fire.

Glove Box

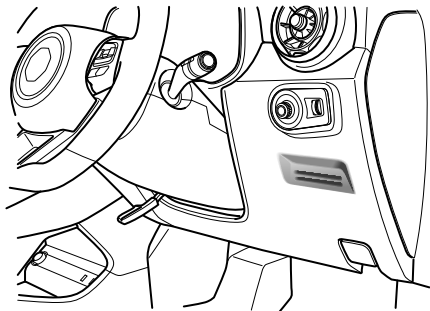


To open the glove box, pull the handle on the glove box cover (as indicated by the arrow).

Push the box cover forward to close the glove box. Make sure the glove box is fully closed when the vehicle is in motion.

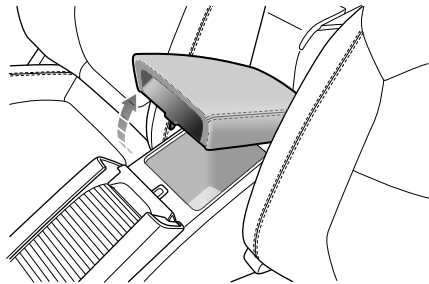
INSTRUMENTS AND CONTROLS

Card Box



Located in the driver side lower dash trim panel.

Centre Console Armrest Box



Lift the armrest (arrowed) to open the compartment cover.
Put the cover down to close it.

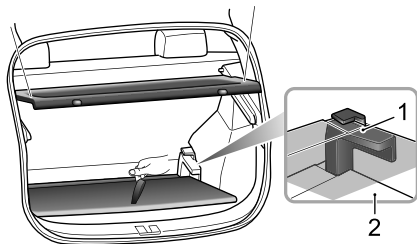
Loadspace



DO NOT place articles on the rear parcel shelf, they could move causing personal injury in the event of an accident , emergency braking or hard acceleration.

The spare wheel/tyre repair kit and tool kit are stowed beneath the loadspace carpet, lift the carpet for access. Always refit the carpet after use.

In addition, The loadspace carpet height can be adjusted by using the carpet bracket (figure 1, 2).



The rear parcel shelf is connected to the tailgate using straps and hooks. When opening the tailgate, the shelf will automatically be raised.

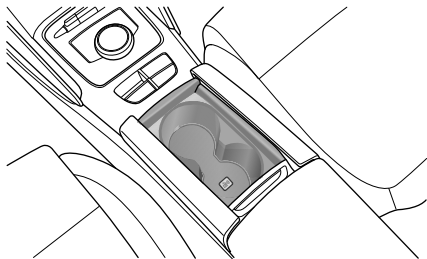
INSTRUMENTS AND CONTROLS

Cup Holder



Do not place hot drinks in the cup holder whilst driving. Spillage may result in personal injury or damage.

Centre Console Cup Holder



The centre console cup holder is situated at the front end of the centre console armrest assembly.

Roof Luggage Rack *



Roof loads *MUST NOT* exceed the maximum authorised load. This may lead to injury or vehicle damage.



Loose or improperly fixed loads may fall from the roof luggage rack and lead to an accident or cause people injury.



When heavy or large items are carried on the roof luggage rack it may lead to changes in steering, handling and braking characteristics. Please avoid sharp manoeuvres, heavy braking and excessive acceleration.

Pay attention to the following in using the roof luggage rack:

- Secure loads toward the front of the roof as far as possible. distribute loads evenly.
- DO NOT use automatic car washes with loads on the roof luggage rack.

- The overall height of the car is different when loads are fitted to the roof luggage rack. Please ensure there is adequate clearance when entering tunnels and garages.
- Ensure the loads carried by the roof luggage rack do not impede operation of the sunroof, roof antenna of tailgate opening.
- When installing or removing a piece of loading equipment, follow the instructions provided by the manufacturer of the loading equipment.

Maximum Authorised Load for the Roof

The maximum authorised load for the roof is 75 kg, this includes the weight of the roof loads and that of the loading equipment installed.

Ensure you are aware of the weight of loads, and weigh them when necessary. Never exceed the maximum authorised load for the roof.

Periodical Check

Always check the condition of the bolt connectors and fastenings before use. Periodically check the bolt connectors and fastenings for security.

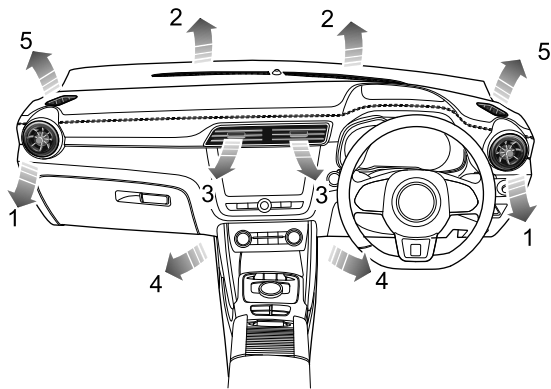
Air Conditioning and Audio Systems

76 *Ventilation*

79 *Electronic Temperature Control*

AIR CONDITIONING AND AUDIO SYSTEMS

Ventilation



- 1 Side Vents
- 2 Windscreen/Defrost Vents
- 3 Centre Vents
- 4 Front Footwell Vents
- 5 Front Side Window Vents

AIR CONDITIONING AND AUDIO SYSTEMS

The heating *, ventilation and air conditioning system provides fresh, cooling or heated * air to the interior of the car. Fresh air is drawn in through the air intake grille under the front windscreen and the air conditioning filter.

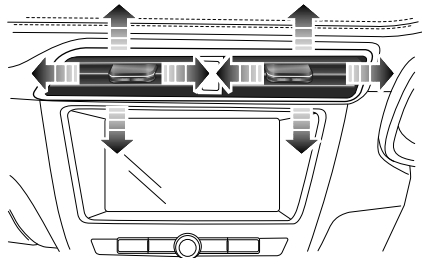
Always keep the air intake grille clear of obstructions such as leaves, snow or ice.

A/C Particle/Pollen Filter

The particle/pollen filter helps to keep the car interior free from pollen and dust. To remain fully effective, the filter should be replaced at the recommended service interval.

Vents

Centre Vents

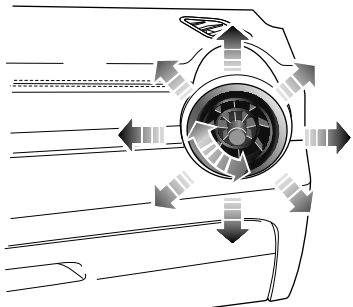


Slide the button in the centre of the louvres completely to the left or right to open or close the vent, adjust this button to direct the flow of air.

Toggle the button at the centre of each vent up and down, left and right to regulate the air direction.

AIR CONDITIONING AND AUDIO SYSTEMS

Side Vents

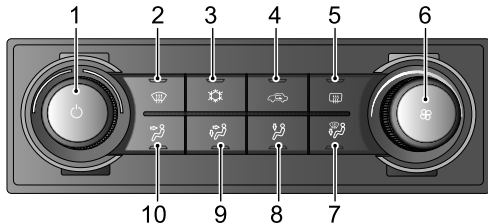


Rotate the centre thumb-wheel clockwise or anti-clockwise to open or close the vent. Toggle the centre thumb-wheel up, down, left or right to adjust the air direction.

AIR CONDITIONING AND AUDIO SYSTEMS

Electronic Temperature Control

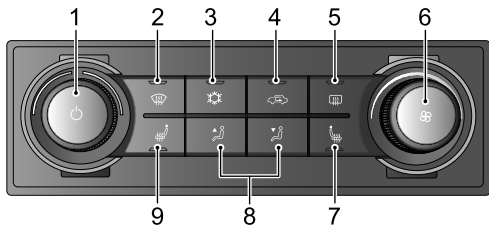
Control Panel - Without Seat Heater *



- 1 Temperature Control Knob / A/C System On/Off Button
- 2 Defrost/Demist Button
- 3 Cooling On/Off Button
- 4 Air Recirculation Mode Button
- 5 Heated Rear Window Button
- 6 Blower Speed Control Knob
- 7 Windscreen and Feet Mode Button
- 8 Feet Mode Button
- 9 Face and Feet Mode Button
- 10 Face Mode Button

AIR CONDITIONING AND AUDIO SYSTEMS

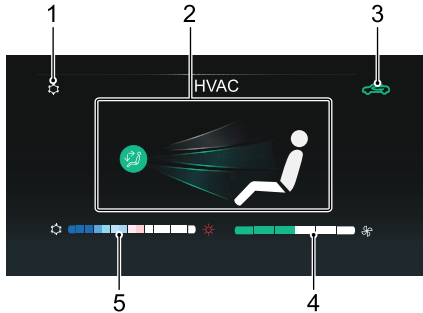
Control Panel - With Seat Heater *





- 1 Temperature Control Knob / A/C System On/Off Button
- 2 Defrost/Demist Button
- 3 Cooling On/Off Button
- 4 Air Recirculation Mode Button
- 5 Heated Rear Window Button
- 6 Blower Speed Control Knob
- 7 Front Passenger Seat Heater
- 8 Air Distribution Mode Button
- 9 Driver Seat Heater

AIR CONDITIONING AND AUDIO SYSTEMS

A/C Display









- 1 A/C Cooling Display
- 2 Air Distribution Mode Display
- 3 Air Recirculation Display :
 -  Internal circulation
 -  External circulation
- 4 Blower Speed Display

5 Temperature Display

A/C Status



- 1 Temperature Status
- 2 Cooling Status
- 3 Blower Speed/Air Distribution Mode Status :
 -  For 'face'
 -  For 'face' and 'feet'
 -  For 'feet'
 -  For 'feet' and 'windscreen'
- 4 Air Recirculation Mode Status :
 -  Internal circulation
 -  External circulation

AIR CONDITIONING AND AUDIO SYSTEMS

System On/Off



Press the System On/Off Button on the control panel to switch the system on, all functions revert to the state before shutdown. Press again to switch off.

Blower Speed Control

Rotate the blower speed control clockwise to increase the blower speed or rotate anti-clockwise to reduce the blower speed.

Temperature Control

Rotate the Temperature Control Knob clockwise to increase the air temperature inside the car or rotate anti-clockwise to decrease.

Cooling On/Off Button



Press to operate; the indicator in the switch will illuminate indicating air cooling function is switched on. Press again to switch off.

Note:


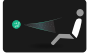






- 1 The cooling/heating mode of the air conditioning will only operate when the vehicle in the READY state*
- 2 The heating function is still available, when the air cooling is switched off.*
- 3 When the A/C heating function is active, the cooling On/Off button indicator illuminates to indicate to the user that the air conditioning is consuming electricity.*
- 4 A small amount of water may remain in the air conditioner after usage, this may produce a peculiar smell. If this is a particular issue, it is recommended to switch off the cooling function and run the blower for a while.*

Air Distribution Mode

Select the corresponding button to regulate the air distribution mode as required.

AIR CONDITIONING AND AUDIO SYSTEMS

2

Operation Button	Icons on Interface	Air Distribution Mode
		For 'face'
		For 'face' and 'feet'
		For 'feet'
		For 'feet' and 'windscreen'

For 'face'. Directs air to the side and centre vents.

For 'face' and 'feet'. Directs air to the footwell, side and centre vents.

For 'feet'. Directs air to the footwell vents.

Note: In this mode, a small amount of airflow will be directed to the side, front side window and windscreen/defrost Vents.

For 'feet' and 'windscreen'. Directs air to the windscreen/defrost, footwell vents.

Note: In this mode, a small amount of airflow will be directed to the side vents.



Press this button on the control panel to switch between 'face', 'face and feet', 'feet' and 'windscreen and feet' modes in sequence.



Press this button on the control panel to switch between 'windscreen and feet', 'feet', 'face and feet' and 'face' modes in sequence.

Air Recirculation Mode



Press this button on the control panel to operate the air recirculation function, the indicator in the switch will illuminate, the air intake is closed and the air

AIR CONDITIONING AND AUDIO SYSTEMS

inside the car is recirculated, preventing the entry of traffic fumes.

When the vehicle is switched off, the air recirculation control flap remains in its current position.

Note: *Recirculation mode is automatically activated when the screenwashers are used or reversing.*

Note: *Leaving the system in recirculation mode can cause the windscreen to mist. If this happens, switch off recirculation and turn the controls to maximum demisting.*

Defrost/Demist



Press this button on the control panel to operate the Defrost/Demist function, the indicator will illuminate. The system will automatically set itself to a preset temperature and blower motor speed to effectively clear the side windows and windscreen.

Press again to switch off. Then the indicator will go off, and the system will return to the previous state.

Whilst the defrost/demist is selected, operate the A/C on/off button to turn on/off the compressor; operate the air recirculation button to switch between internal circulation and external circulation, operation of either of these functions will not affect the defrost/demist function, operation of any other air distribution modes will quit defrost/demist.

Note: *When the defrost/demist function is switched on below a preset temperature, the heated rear window function will automatically operate, the Defrost/Demist button and the heated rear window button indicator lights will illuminate simultaneously.*

Heated Rear Window



The heating elements on the inside of the rear window are easily damaged. DO NOT scrape or scratch the inside of the glass. DO NOT stick labels over the heating elements.



Press this button on the control panel to operate the heated rear window function, the indicator

in the switch will illuminate. The heated rear window function will automatically turn off after operating for 15 minutes. If the switch is pressed again within 5 minutes, the heated rear window will operate and then remain on for a further 8 minutes. Pressing the switch whilst the heated rear window is on will switch off the function and extinguish the indicator in the switch.

Note: *The heated rear window will only operate when the vehicle is in the READY state.*

Note: *Heated door mirrors only operate when the heated rear window is activated.*

Seats & Restraints

88 *Seats*

94 *Seat Belts*

104 *Airbag Supplementary Restraint
System*

113 *Child Restraints*

SEATS & RESTRAINTS

Seats

Overview



To avoid personal injuries due to the loss of control, DO NOT adjust the seats while the car is moving.

The vehicle is equipped with 6-direction or 4-direction adjustable front seats and 60/40 split rear seats with foldable backrests.

An ideal position of the seat should make sure your driving position is comfortable, which allows you to hold the steering wheel with your arms and legs slightly bent and control all the equipment. Make sure your driving position is comfortable and enables you to maintain full control of the vehicle. Take care when adjusting the height of front seats - the feet of the rear passenger could become trapped when the seat is lowered.

Do not incline the front-seat backrest excessively. Optimum benefit is obtained from the seat belt with the backrest angle set to approximately 25° from the upright (vertical). The driver and front passenger seats should

be positioned as far rearward as practical. A properly adjusted seat helps reduce the risk of injury from sitting too close to an inflating airbag.

Head Restraints

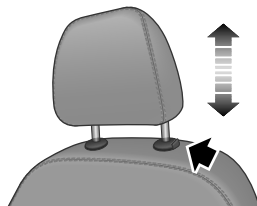


Adjust the height of the head restraint so that the top of it is in line with the top of the occupant's head. This location may reduce the risk of head and neck injuries in the event of a collision. DO NOT adjust or remove the head restraints while the car is moving.



DO NOT hang anything on any head restraint or head restraint rod.

The head restraint is designed to prevent rearward movement of the head in the event of a collision or emergency braking, thereby reducing the risk of head and neck injuries.



3

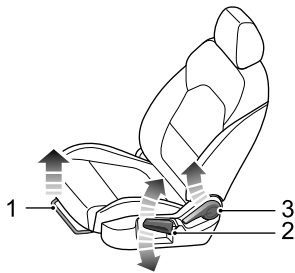
When adjusting a head restraint from low to high position, pull the head restraint directly upward, and gently press it downward after it reaches the desired position to make sure that it is locked in position. To remove the head restraint, press and hold the guide sleeve button (as indicated by the arrow) on the left of the head restraint, then pull the head restraint upward to remove it.

When adjusting a head restraint from high to low position, press the guide sleeve button (as indicated by the arrow) on the left of the head restraint, and press the head restraint downward; release the button after it reaches the desired position, and gently press the head restraint downward to make sure that it is locked in position.

SEATS & RESTRAINTS

Front Seats

Manual Seat



- Forward/Backward Adjustment

Lift the lever (1) under the seat cushion, slide the seat into an appropriate position and release the lever. Make sure that the seat is locked in place.

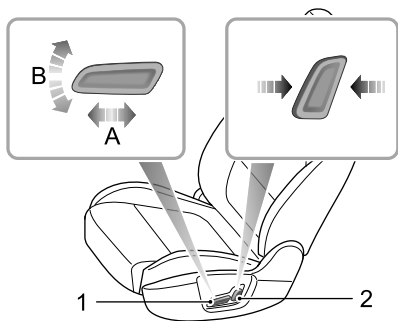
- Cushion Height Adjustment *

Lift the lever (2) repeatedly to raise the seat cushion, and press the lever downward to lower the seat cushion.

- Backrest Adjustment

Lift the lever (3), adjust the backrest until it moves into a satisfiable position , and put down the lever.

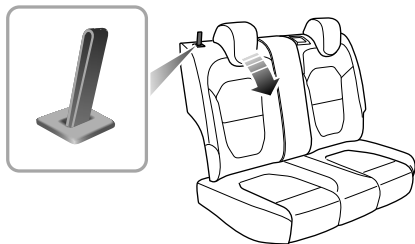
Power Seat *



- Forward/Rearward Adjustment
Push the switch (1) forward or backward (A) to move the seat forward/backward.
- Cushion Height Adjustment
Pull the switch (1) upward or push downward (B) to raise or lower the seat cushion.
- Backrest Adjustment
Move the switch (2) forward/backward to adjust the backrest until it reaches the desired angle.

SEATS & RESTRAINTS

Rear Seats



Folding Rear Seats

To increase luggage space, first fully lower (or remove) all the rear seat head restraints, and then pull up the backrest unlock straps on both sides respectively and fold the seat backrests forward.

Note: *When the head restraint of the rear seat is not fully lowered or the backrest of the front seat is*

inclined backward excessively, the folding of the rear seat is very likely to damage the back of the front seat, small storage compartment or head restraint of the rear seat.

Unfolding and Locking Rear Seat Backrests



When returning the rear seat backrest to the upright position, push the backrest until it reaches an appropriate position, and the backrest is locked when you hear a click.

Note: *When returning the rear seat backrest to the desired position, make sure that the rear seat belt is not trapped.*

Front Seat Heating *



If bare skin is in contact with the heated seats for excessive periods of time, it may cause burns.

The seat cushion and backrest are provided with heating elements. After the vehicle power system is set to READY, pressing  or , the seat heaters will be activated.

When pressing a seat heater switch, the corresponding seat will become warm. Press the switch again to stop the heating function. When the seat heating function is activated, the operating indicator in the switch illuminates. When the cushion temperature reaches approximate 38°C or the backrest to approximate 40°C, the heating function will be deactivated automatically.

IMPORTANT

- Do Not cover the heated seats with blankets, cushions or other insulation type objects or materials.
- If the seat cushion is heated up to 38°C or the seat backrest is heated up to 40°C and continues getting hotter when using seat heating system, please turn off the seat heating and contact MG Authorised Repairer.
- Overuse of the driver's heated seat may cause drowsiness and could affect safety.

SEATS & RESTRAINTS

Seat Belts



It is important that all seat belts are worn correctly. Always check that all passengers are wearing seat belts. DO NOT carry passengers that are unable to wear correctly positioned seat belts. Wearing seat belts incorrectly may cause serious injury or even death in the event of a collision.



Airbags can not replace seat belts. Airbags can only provide extra support when triggered, and not all traffic accidents will trigger airbags. Whether airbags are triggered or not, seat belts can reduce the risks of serious injury or death in accidents. Therefore, seat belts must be worn properly.



NEVER unfasten a seat belt whilst driving, serious injury or death may occur in the case of an accident or emergency braking.



This vehicle is equipped with a seat belt warning lamp to remind you to fasten your seat belt.

During driving, seat belts must be fastened, this is because:

- You can never predict if you will be involved in a collision accident and how serious it may be.
- In many cases of collision accidents, passengers with seat belts properly fastened are well-protected, while passengers with seat belts not fastened suffer from serious injury or even death.

Therefore, all passengers must wear seat belts correctly, even during short-distance journeys.

Protection Provided by Seat Belts



It is of equal importance for passengers in the rear seat to fasten their seat belts correctly. Otherwise, passengers with seat belts not correctly fastened will be thrown forward in accidents, and will endanger themselves as well as the driver and other passengers.

When the vehicle is in motion, the travelling speed of the occupants is identical to that of the vehicle.

In the event of a 'head on collision' or emergency braking, the vehicle may stop, but the occupants will carry on travelling until they come into contact with a stationary object. This object may be the steering wheel, dashboard, windscreen or front seats.

A correctly fastened seat belt will eliminate this risk of injury. When the seat belt is worn correctly, it will lock automatically in collision accidents or emergency braking to reduce your speed together with the vehicle, so as to prevent the out-of-control movement which may cause serious injury to driver and passengers.



SEATS & RESTRAINTS

Wearing Seat Belts



Incorrectly worn seat belts could cause injury or death in the event of an accident.



Seat belts are designed for one person, DO NOT share seat belts.



DO NOT wrap a seat belt around when holding a baby or child in your arms.



Remove any heavy coats or clothing when wearing a seat belt, failure to do so can affect protection provided by the seat belt.



Seat belts should not be wrapped around hard or sharp objects such as pens, spectacles or keys.



Seat belts cannot function correctly when the seats are reclined excessively. DO NOT drive when the seats are excessively reclined.

The seat belts fitted to your vehicle are designed for use by normal sized adults. This part of the literature refers to adult use.

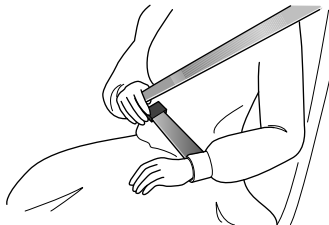
All seat belts are 3 point lap-diagonal belts.

In order to maintain effective protection, the passengers must sit in the correct orientation, feet placed on the floor in front of them, with an upright body (no excessive recline) and the seat belt correctly fastened.

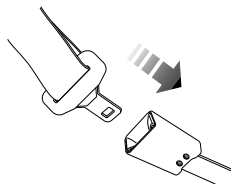
Fastening Seat Belts

Please follow the instructions below to fasten the seat belts correctly.

- 1 Adjust the seat correctly.
- 2 Hold the metal tab, pull the seat belt out steadily over the shoulder and across your chest. Ensure there is no twist on the belt.



- 3 Insert the metal tab into the buckle until you hear a 'click', this indicates the seat belt is securely locked.



- 4 Remove any slackness in the belt by pulling up on the diagonal section of the belt.
- 5 To release the seat belt, press the red button on the buckle. The seat belt will retract automatically to its original place.

SEATS & RESTRAINTS

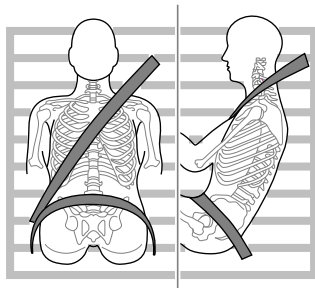
IMPORTANT

- Always ensure the seat belt will not become trapped in the door aperture when closing the door, damage will occur.
- Pulling the seat belt out too quickly may cause it to lock. In this case, allow the seat belt to retract slightly and then pull it across your body slowly.
- If it is difficult to pull the seat belt out, it may be due to twisted webbing. If this is the case, fully extract the seat belt, remove the twist, allow the seat belt to retract slowly.
- When using the rear seat belts please ensure they are fully retracted into the correct position to avoid jamming in the rear seat catches. It is a legal requirement to wear seat belts. Even if the seat belt is twisted it must be worn. Where possible avoid the twisted section contacting the body and seek advice from an MG Authorised Repairer as soon as possible.

Correct Routing of the Seat Belts



Ensure the seat belt is correctly positioned on the body, never cross the neck or abdomen, never pass the seat belt behind the back or under the arms.



When wearing seat belts, the lap belt section should be positioned as low as possible across your hips, never across the abdomen. In the event of a collision, the lap belt can apply a force on the hips and reduce the possibility of you

slipping under the lap belt. If you slip under the lap belt, the belt will apply force on your abdomen, which may cause serious or fatal injuries. The diagonal section of the belt should cross the middle of the shoulder and the chest. In the event of emergency braking or collision, the diagonal section of the belt will be locked.

To ensure that the seat belts always provide maximum protection, ensure the belt is flat, not loose and contacts the body.

Seat Belts Use during Pregnancy

Wearing correctly positioned seat belts will provide protection for both mother and unborn child in the event of a collision or emergency braking.



The diagonal section of the seat belt should pass across the chest as normal, the lap section of the belt should pass below the belly, low and snug on the hip bones. NEVER position the belt on or above the belly.

Please consult your physician for further details.

Seat Belts and Disabilities

It is a legal requirement that all occupants wear seat belts, this include people with disabilities.

Depending upon the disability, consult your physician for further details.

SEATS & RESTRAINTS

Children and Seat Belts

! *Proper protection measures must be taken for children whilst travelling in the vehicle.*

For safety reasons, children must travel in suitable child restraint devices fixed to the rear seat.

Infants

! *Only recommended child restraints suitable for the age, height and weight of the child should be used.*

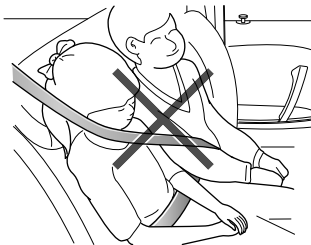
! *NEVER carry a child or infant with your arms during driving. When collision accidents occur, the weight of a child will produce such a great force that you can not hold the child. The child will be thrown forward and suffer serious injury or even death.*

The seat belts fitted to your vehicle are designed for adults, they are not suitable for children. In the event of an accident or collision the children are not secure, it could cause death or serious injury.

Infants MUST use a suitable child restraint device. Please consult the child seat manufacturers guidelines when selecting the correct seat. Follow the manufacturers instructions on installation. Please refer to "Child Restraints" in this chapter for more details.

Older Children

! *NEVER share a seat belt amongst children. In the event of an accident or collision the children are not secure, it could cause death or serious injury.*



As children grow and become older/larger, it will get to the stage when they no longer require child seat restraints, at this point they will require use of the vehicle standard seat belt. Please ensure the seat belt is correctly positioned on the body of the child.

Seat Belt Pre-tensioners



*The seat belt pre-tensioners will only be activated once and then **MUST BE REPLACED**. Failure to replace the pre-tensioners will reduce the efficiency of the vehicle's front restraint system.*



If the pre-tensioners have been activated, the seat belts will still function as restraints, and must be worn in the event that the vehicle remains in a drivable condition. The seat belt pre tensioners should be replaced at the earliest opportunity by an MG Authorised Repairer.

The vehicle is fitted with seat belt pre-tensioners, these are designed to retract the front seat belts and work

in conjunction with the airbags in the event of a severe collision. They are designed to retract the seat belt and 'secure' the occupant in the seat.

The airbag warning light on the instrument pack will alert the driver to any malfunction of the seat belt pretensioners.(see 'Warning Lamps and Indicators' in the 'Instruments and Controls' chapter).

The seat belt pre-tensioners can only be activated once, after activation they must be replaced. This may also involve replacement of other SRS components. Please refer to 'Replacing Airbag System Parts'.

SEATS & RESTRAINTS

IMPORTANT

- Seat belt pre-tensioners will not be activated by minor impacts.
- The removal or replacement of a pre-tensioner must be carried out by the manufacturer trained, dealer technicians.
- 10 years from the initial date of registration (or installation date of a replacement seat belt pre-tensioner), some components will need to be replaced. The appropriate page of the Service Portfolio must be signed and stamped once the work has been completed.

Seat Belt Checks, Maintenance and Replacement

Seat Belt Checks



Split, worn or frayed seat belts may not function correctly in the event of a collision, if there are any signs of damage, replace the belt immediately.



Always ensure the red release button on the seat belt buckle is pointing upwards to ensure easy release in the event of an emergency.

Please follow the instructions below to regularly check whether the seat belt warning lamp, seat belt, metal tab, buckle, retractor and fixing device are working correctly:

- Insert the seat belt metal tab into the corresponding buckle and pull seat belt webbing close to the buckle quickly to check that the belt clasp locks.
- Hold the metal tab and pull the seat belt forward quickly to check that the seat belt reel locks automatically, preventing the webbing from extending.

- Fully extract the seat belt and visibly examine for twists, fraying, splits or worn areas.
- Fully extract the seat belt and allow to return slowly to ensure continual and complete smooth operation.
- Visibly examine the seat belt for missing or broken components.
- Ensure the seat belt warning system is fully functional.

If the seat belt fails any of the above tests or inspections contact an MG Authorised Repairer immediately for repairs.

Seat Belts Maintenance



Seat belt repairs should only be carried out by an MG Authorised Repairer.



Ensure no foreign or sharp objects become lodged in the seat belt mechanisms. DO NOT allow liquids to contaminate the seat belt buckle, this could affect the buckle engagement.

Seat belts should only be cleaned with warm soapy water. Do not use any solvent to clean the seat belt. Do not

attempt to bleach or dye the seat belt, it may weaken the seat belt. After cleaning, wipe with a cloth and allow to dry. Do not allow the seat belt to fully retract before it is completely dry. Keep seat belts clean and dry.

If there are contaminants accumulated in the retractor, the retraction of the seat belt will be slow. Please use a clean and dry cloth to remove any contaminants.

Replacing Seat Belts



Collision accidents may damage the seat belt system. The seat belt system may not be able to protect users after damage and may cause serious injury or even death when an accident occurs. After the accident, seat belts should be checked immediately and replaced as necessary.

Seat belts should not require change after minor collisions, however, some other parts of the seat belt system may require attention. Please consult an MG Authorised Repairer for advice.

SEATS & RESTRAINTS

Airbag Supplementary Restraint System

Overview



*The airbag SRS provides **ADDITIONAL** protection in a severe frontal impact only. It does not replace the need, or requirement to wear a seat belt.*



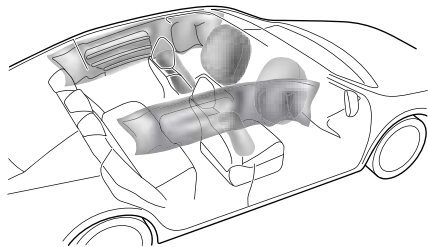
The airbags together with the seat belts provide optimum protection for adults, but it is not the case for infants. The seat belt and airbag systems in the vehicle are not designed for protecting infants. The protection required by infants should be provided by child restraints.

The Airbag Supplementary Restraint System generally consists of:

- Front Airbags (fitted to the centre of the steering wheel and dashboard above the glove compartment)

- Seat Side Airbags (fitted to the outer side of the seat squab)
- Side Head Impact Protection Airbags (fitted behind the headlining)
- Airbag Control Module

Please note that this is model and trim level dependant.



In the corresponding position where airbags are fitted, there is a warning sign stating 'AIRBAG'.

Airbag Warning Light



The airbag warning light is located in the instrument pack. If this lamp does not extinguish or illuminates during driving, it indicates that there is a failure in the SRS or seat belt. Please seek an MG Authorised Repairer at the earliest opportunity. An SRS or seat belt fault may mean the components may not be deployed in the event of an accident.

Airbag Deployment



Front seat passengers should not place feet, knees or any other part of the body in contact with, or in close proximity to a front airbag.



To minimise the risk of accidental injury from inflating airbags, seat belts should be worn correctly at all times. In addition, both driver and front seat passenger should adjust their seat to provide sufficient distance from the front airbags. If side airbags/side head impact protection airbags are fitted, both driver and front seat passenger should be seated to maintain sufficient distance from the upper part of the body to the sides of the vehicle, this will ensure maximum protection when the side airbags/side head impact protection airbags are deployed.

SEATS & RESTRAINTS



When airbags are deployed, children without proper protection may suffer from serious injury or even death. DO NOT carry children in the arms or on the knees during traveling. Children should wear seat belts suitable to age. DO NOT lean out of windows.



An inflating airbag can cause facial abrasions and other injuries if the occupant is too close to the airbag at the time of its deployment.



DO NOT affix or place any objects on, or adjacent to the airbags. This may affect the airbag passage or create projectiles that may cause injury or serious harm in the event of airbag deployment.



After deployment the airbag components become very hot. DO NOT touch any airbag related components, it may cause burns or serious injury.



DO NOT knock or strike the position where airbags or related parts are located, so as to avoid accidental airbag deployment which may cause serious injury or even death.

In the event of a collision, the airbag control unit monitors the rate of deceleration or acceleration induced by the collision, to determine whether the airbags should be deployed. Airbag deployment is virtually instantaneous and occurs with considerable force, accompanied by a loud noise.

Provided the front seat occupants are correctly seated and with seat belts properly worn, the airbags will provide additional protection to the chest and facial areas in the event of the car receiving a severe frontal impact.

Side airbags and side head impact protection airbags are designed to offer additional protection to the side of the body facing the impact, if a severe side collision occurs.

IMPORTANT

- Airbags can not protect lower body parts of passengers.
- Airbags are not designed for rear collision, minor frontal or side impacts, or if the vehicle overturns; nor will it operate as a result of heavy braking.
- Deployment and retraction of the frontal and side airbags takes place very quickly and will not protect against the effects of secondary impacts that may occur.
- When an airbag inflates, a fine powder is released. This is not an indication of a malfunction, however, the powder may cause irritation to the skin and should be thoroughly flushed from the eyes and any cuts or abrasions of the skin.
- After inflation, front and side airbags deflate immediately. This provides a gradual cushioning effect for the occupant and also ensures that the driver's forward vision is not obscured.

Front Airbags



NEVER use a rearward facing child restraint on a seat protected by an ACTIVE AIRBAG in front of it, DEATH or SERIOUS INJURY to the CHILD can occur. Refer to 'Disabling the Passenger Airbag'.



Front seat passengers should not place feet, knees or any other part of the body in contact with, or in close proximity to a front airbag.



In extreme cases driving on very uneven surfaces may cause airbag deployment. Please take extra care when driving on uneven roads.

Airbags are designed to deploy during serious impacts, the following conditions may cause airbag deployment.

- A frontal collision with unmovable or non deformable solid objects at a high speed.
- Conditions that can cause serious chassis damage, such as a collision with kerbstones, road edges, deep ravines or holes.

SEATS & RESTRAINTS

Seat Side Airbags



The manufacture and material of the seat is critical to the correct operation of side airbags. Therefore, please DO NOT fit seat covers which may affect side airbag deployment.

In the event of a serious side impact, the relevant side airbag will deploy (only the affected side).

- The airbag will be deployed in the event that the side of the vehicle is impacted with a solid object or another vehicle.

Side Head Impact Protection Airbags

In the event of a serious side impact, the relevant side curtain airbag will deploy (only the affected side).

- The side curtain airbag will be deployed in the event that the side of the vehicle is impacted with a solid object or another vehicle.

Conditions in Which Airbags Will Not Deploy

The deployment of airbags does not depend on the vehicle speed, but on the object that the vehicle hits, angle of impact and the rate at which the car changes speed as a result of a collision. When the impact force of collision is absorbed or dispersed to vehicle body, airbags may not deploy; however, airbags may sometimes deploy according to impact condition. Therefore, the deployment of airbags shall not be judged based on the severity of vehicle damage.

Front Airbags

Under certain conditions the front airbags may not be deployed. Some examples are listed below:

- The impact point is not central to the front of the vehicle.
- The impact is not of sufficient force (the impact is with an object that is not solid, such as a lamp post or central barriers).
- The impact area is high (collision with the tailgate of a truck).
- Impacts to the rear or side of the vehicle.

- The vehicle rolling over.

Seat Side Airbags and Side Head Impact Protection Airbags

Under certain conditions the seat side and side head airbags may not be deployed. Some examples are listed below:

- Side impacts at certain angles.
- Light side impacts such as a motorcycle.
- Impacts that are not central to the side of the vehicle, either too far toward the center of the engine compartment or the loadspace.
- The vehicle rolling over.
- The angled impact is not of sufficient force (the impact is with an object that is not solid, such as a lamp post or central barriers).
- The impact is not of sufficient force (with another vehicle, stationary or moving).
- The impact is from the rear of the vehicle.

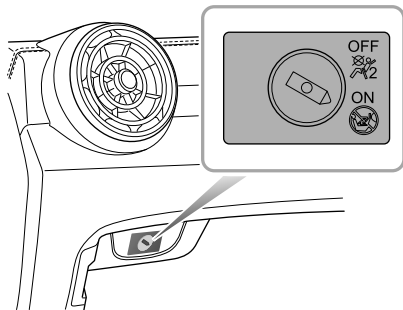
Disabling the Passenger Airbag



The Passenger Airbag should only be disabled when a rear facing child seat is fitted to the front passenger seat.

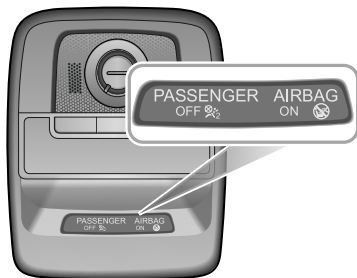


When an adult is seated in the front passenger seat, ensure that the airbag is switched on.



SEATS & RESTRAINTS

The passenger airbag disable switch is located inside of the glovebox, Insert the key and turn the switch to the on or off position to enable or disable the passenger airbag.



The passenger airbag status light is located in the roof mounted interior lamp assembly. The shape of the lamp assembly varies according to the configuration of the vehicle.

When the switch is turned to the OFF position, the OFF indicator light (located in the PAB display panel in the lamp assembly) illuminates, this indicates that the passenger airbag is disabled.

When the switch is turned to the ON position, the ON indicator light (located in the PAB display panel in the lamp assembly) illuminates, this indicates that the passenger airbag is enabled.

Service and Replacement of Airbags

Service Information



DO NOT install or modify the airbag. Any changes to the vehicle structure or airbag system wiring harness are strictly prohibited.



Changes to vehicle structure is prohibited. This may affect the normal operation of the SRS.



DO NOT allow these areas to be flooded with liquid and DO NOT use petrol, detergent, furniture cream or polishes.



If water contaminates or enters the SRS it may cause damage and affect deployment. In this case contact an MG Authorised Repairer immediately.

To prevent damage to the airbag SRS, the following areas should be cleaned sparingly with a damp cloth and upholstery cleaner ONLY:

- Steering wheel centre pad.
- Area of dashboard containing the passenger airbag.
- Area of roof lining and front pillar finishers which enclose the side head impact protection modules.

If the airbag warning lamp fails to illuminate, stays on, or if there is damage to the front or side of the vehicle, or the airbag covers show signs of damage, contact an MG Authorised Repairer immediately.

IMPORTANT

- The removal or replacement of an airbag module should be carried out by an MG Authorised Repairer.
- After 10 years from the initial date of registration (or installation date of a replacement airbag), some components will need to be replaced by an MG Authorised Repairer. The appropriate page of the Service Portfolio must be signed and stamped once the work has been completed.

SEATS & RESTRAINTS

Replacing Aribag System Parts



Even if the airbag does not deploy, collisions may cause damage to SRS in the vehicle. Airbags may not function properly after damage, and can not protect you and other passengers when a second collision occurs, which may cause serious injury or even death. To ensure that SRS can function properly after collision, please go to an MG Authorised Repairer to check airbags and repair as necessary.

Airbags are designed for using once only. Once the airbag is deployed, you must replace SRS parts.

Please go to an MG Authorised Repairer for replacement.

Disposal of Airbags

When your vehicle is sold, ensure that the new owner knows the vehicle is equipped with airbags, and is aware of the replacement date of SRS.

If the vehicle is scrapped, the undeployed airbags may have potential risks, therefore, before the disposal, they must be deployed safely in a certain environment by a professional from an MG Authorised Repairer.

Child Restraints

Important Safety Instructions about Using Child Restraints

It is recommended that children below the age of 12 years old should be seated on the rear seat of the vehicle, in a child restraint system appropriate to the children's weight and size. Infants less than 2 years old should be restrained in an infant child restraint system.

It is recommended that a child restraint system that complies with UN ECE-R44 or ECE-R129 standard are fitted in this vehicle. Check markings on the child restraint system.

There are a number of child restraint systems available of different type and specification. For optimum protection, it is recommended that you choose restraint systems appropriate to the child's age and weight.

It is important to comply with installation instructions supplied by the child restraint manufacturer and that child restraint system is properly secured to the vehicle. Failure to follow these instructions may cause death or serious injury to the child in an event of a sudden stop or accident.

- All occupants, including children must wear seat belts or use an appropriate child restraint.
- It is recommended that children under 12 years of age or less than 1.5 metres tall should use the appropriate child restraint fitted to the rear seat.
- Only one child can be carried in any one restraint.
- Do not put the child on the lap or in arms when sitting in any seat.
- Always adjust the seat back rest to a central position and ensure it is locked in position when installing a child seat or restraint.
- If installing a rear facing child restraint to the rear seat, the corresponding front seat should be adjusted forward; if installing a forward facing child restraint to the rear seat, you may need to adjust the height of the headrest to the lowest; if installing a forward facing child restraint to the front seat, you may need to remove its headrest.
- Never let your child stand or kneel on the seat during driving.
- Always ensure the child is seated correctly in the child restraint.

SEATS & RESTRAINTS

- The ways of using seat belts have a great influence on the maximum protection offered by the seat belt, you must comply with the child restraint manufacturer's instructions on proper use of seat belts. If seat belts are not properly fastened, a minor traffic accident may also lead to injury.
- Child restraints that are not fitted correctly may move and injure other occupants in the event of an accident or emergency braking. Therefore, even if there is no infant or child in the child restraint, it also should be fitted properly and securely in the vehicle.

Warnings and Instructions on Use of Child Restraint on Front Passenger Seat



NEVER use a rearward facing child restraint on a seat protected by an ACTIVE AIRBAG in front of it, DEATH or SERIOUS INJURY to the CHILD can occur.



In cases where there is a need to install a rear facing child restraint on the front passenger seat, use the key to deactivate the front passenger airbag function, or severe injury or even death can occur.



Once the child restraint is removed from the front passenger seat, use the key to reactivate the front passenger airbag.



When installing a child restraint on the front passenger seat, move the front passenger seat as far rearward as possible.



Use one child restraint per child.

Please study the safety warning label on the sun visor. Where possible always install child restraints on the rear seat. If it is necessary to install a child restraint on the front seat please observe the warnings above.

Children's Safety and Side Airbags



Children should not be allowed in areas where airbags may be deployed, there is a risk of serious injury.



Only recommended child restraints suitable for the age, height and weight of the child should be used.



DO NOT place any items in areas where airbags may be deployed, there is a risk of serious injury.

In the event of a side collision, the side airbags can provide better protection for the passenger. However, when the airbag is triggered a very strong expansion force is generated, if the passenger's seating position is not correct,

the airbags or items in the side airbag deployment area may cause injury.

When the correct child restraint is used to secure the child properly in the rear seat and the child's seating position is correct, there is enough space between the child and the side airbag deployment region for the airbag to deploy without any hindrance, and thus provide the best protection.

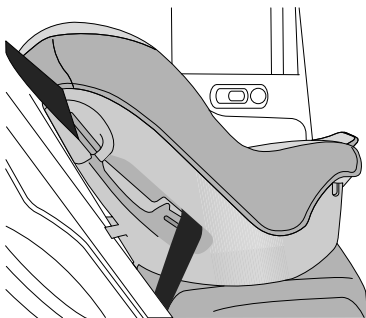
SEATS & RESTRAINTS

Child Restraints Groups

Secured Using 3 Point lap Diagonal Belts



Please **DO NOT** put the rear facing child restraint in the front passenger seat, this may cause serious injury or even death.



It is recommended that children should always be seated in the rear of the vehicle in a child restraint or restraint system, and fixed with 3 point, lap diagonal seat belts.

ISOFIX Child Restraint Systems



The ISOFIX anchorages in the rear seat are designed for use with ISOFIX systems only.



Child restraint anchorages are designed to withstand only those loads imposed by correctly fitted child restraints. Under no circumstances are they to be used for adult seat belts, harnesses, or for attaching other items or equipment to the vehicle.

Note: When installing and using any child restraint system, always follow the manufacturer's instructions.

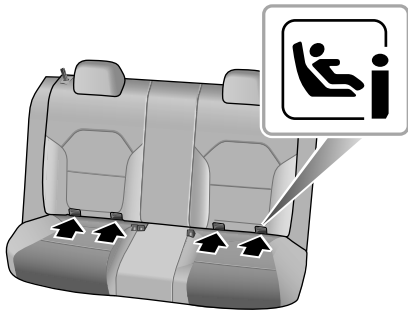
Note: The rear seats fitted to this vehicle are provided with the ISOFIX interface (as indicated by the arrow in the following image), these are designed to connect to an ISOFIX child seat.

- 1 Fasten vehicle-approved ISOFIX child restraint systems to the mounting brackets.
- 2 When using ISOFIX mounting brackets for seat mounting, universally approved child restraint systems for ISOFIX may be used.

SEATS & RESTRAINTS

Note: When using seat mounting, universally approved child restraint systems, *Top-tether* must be used.

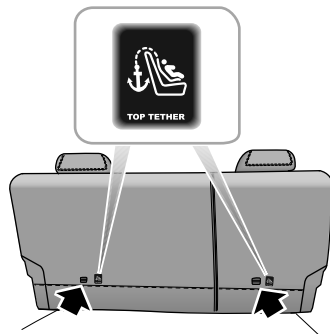
Note: Please refer to the child restraint system manufacturer's instructions for details.



- 3 To fasten the top tether strap of the child restraint system, route the tether strap under the head restraint and attach to the anchorage hook being careful not to

twist the strap. If not using ISOFIX lower anchorages, using the seatbelt, complete the installation in line with the child restraint manufacturers instructions.

- 4 After installation apply suitable force to ensure the restraint is securely fastened.



3

SEATS & RESTRAINTS

Approved Child Restraint Positions

It is recommended that a child restraint system that complies with UN ECE-R44 or ECE-R129 standard are fitted in this vehicle. Check markings on the child restraint system.

Approved Child Restraint Positions (for non ISOFIX Child Restraints)

Mass Group	Seating Positions				
	Front Passenger			Rear Outboard	Rear Middle
	Without Front Passenger Airbag OFF Switch	With Front Passenger Airbag OFF Switch			
		Airbag ON	Airbag OFF		
0 group (less than 10 kg)	X	X	U	U	U
0+ group (less than 13 kg)	X	X	U	U	U
I group (9 ~ 18 kg)	X	X	U	U	U
II group (15 ~ 25 kg)	U	U	U	U	U
III group (22 ~ 36 kg)	U	U	U	U	U

Note: Description of letters in the table:
U = Suitable for universal child restraint systems approved for this mass group;
X = Seat position not suitable for child restraint systems in this mass group.

Approved Child Restraint Positions (for ISOFIX Child Restraints)

Seating Position		Mass group categories			
		0 group	0+ group	I group	
		Rear facing		Forward facing	Rear facing
		Up to 29 lbs(13 kg)		20–40 lbs(9 ~ 18 kg)	
Front Passenger Seat	Size Class	Not ISOFIX equipped			
	Seat Type				
Rear Outboard Seat ISOFIX	Size Class	C,D,E ¹	A,B, BI ¹	C,D ¹	
	Seat Type	IL ²	IL ² ,IUF ³	IL ²	
Rear Centre Seat	Size Class	Not ISOFIX equipped			
	Seat Type				

Note: IL Suitable for particular ISOFIX child restraints systems of the semi-universal category. Please consult child restraints systems suppliers' vehicle recommendation lists;

IUF Suitable for ISOFIX forward facing child restraints systems of universal category approved for use in this mass group and ISOFIX size class;

¹. The ISOFIX size class for both universal and semi-universal child seat systems is defined by the capital letters grade A ~ G. These identification letters are displayed on the ISOFIX child seat;

SEATS & RESTRAINTS

2. At time of publishing the recommended Group 0+ ISOFIX baby safety seat is the Britax Romer Baby Safe. Consult an MG Authorised Repairer for the latest details relating to our recommended child seats;
3. At time of publishing the recommended Group I ISOFIX child seat is the Britax Romer Duo. Consult an MG Authorised Repairer for the latest details relating to our recommended child seats.

Note: At time of publishing the recommended Group II-III ISOFIX child seat is the KidFix II XP SICT. Consult an MG Authorised Repairer for the latest details relating to our recommended child seats.

Table of I- Size child seats

The table gives a recommendation for which I- Size child seats suit which locations, and for what size of child.

The child seat must be approved in accordance with UN Reg R129.

Type of child seat	Front passenger seat	Rear outboard seats	Rear centre seat
I- Size child restraint systems	X	I-U	X

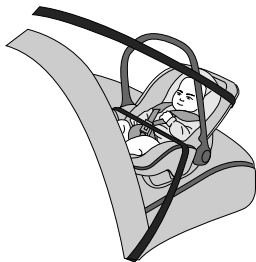
Note: I-U Suitable for use with forward and rear facing I- Size child restraint systems.

X Not suitable for use with I- Size restraint systems.

Group 0/0+ Child Restraint



When the front passenger airbag is active, never place a rear facing child restraint on the front passenger seat, severe injury or even death can occur.



Child restraints that can be adjusted to lying position are most suitable for infants who are lighter than 10 kg (normally for those younger than 9 months) or those who are lighter than 13 kg (normally for those younger than 24 months).

Group I Child Restraint



When the front passenger airbag is active, never place a rear facing child restraint on the front passenger seat, severe injury or even death can occur.



Backward/forward child restraints are most suitable for infants whose weight is 9 ~ 18 kg (normally for those older than 9 months and younger than 4 years old).

SEATS & RESTRAINTS

Group II Child Restraint



The diagonal section of the seat belt should pass across the shoulder and upper body, away from the neck. The lap section of the belt should pass across the hips, away from the abdomen.



The combination of child restraint and 3 point lap diagonal seat belt is most suitable for children whose weight is 15 ~ 25 kg (normally for those older than 3 years old and younger than 7 years old).

Group III Child Restraint



The diagonal section of the seat belt should pass across the shoulder and upper body, away from the neck. The lap section of the belt should pass across the hips, away from the abdomen.



The combination of child booster seat and vehicle 3 point lap diagonal seat belt is most suitable for children whose weight is 22 ~ 36 kg and whose height is below 1.5 m (normally for those about 7 years old or those older than 7 years old).

Starting & Driving

- 124 Keys
- 127 Child Proof Locks
- 128 Alarm System
- 135 Starting and Stopping the Power System
- 139 Pedestrian Alert Control System
- 140 Economical and Environmental Driving
- 143 Vehicle Control
- 145 Charging Requirements
- 158 Electric Drive System (EDS)
- 169 Brake System
- 182 Stability Control System (SCS) and Traction Control System (TCS)
- 183 Adaptive Cruise Control System
- 193 Parking Aid System
- 196 Rear Driver Assistance System *
- 203 Tyre Pressure Monitoring System (TPMS)
- 205 Driving Assist System
- 236 Load Carrying

STARTING & DRIVING

Keys

Overview



Please keep the spare key in a safe place - not in the car!

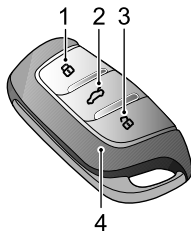


It is recommended that spare keys are not kept on the same key ring, since this may cause interference and prevent correct key recognition and therefore prevent the correct operation of the vehicle power system.



The smart key contains delicate circuits and must be protected from impact and water damage, high temperature and humidity, direct sunlight and the effects of solvents, waxes and abrasive cleaners.

Your vehicle is supplied with two smart keys, each one contains a back up mechanical key blade, this will operate the driver door mechanical lock. The smart keys supplied are programmed to the security system on the car, any key that is not programmed to the car will not operate the keyless entry function or the vehicle immobiliser.



- 1 Lock Button
- 2 Tailgate Button
- 3 Unlock Button
- 4 Smart Key

The smart key only works within a certain range. It's working range is sometimes influenced by the key battery condition, physical and geographical factors. For safety consideration, after you lock your vehicle by the smart key, please recheck if the vehicle is locked.

If your key is lost/stolen or broken, a replacement can be obtained from an MG Authorised Repairer. The lost/stolen

key can be deactivated. If the lost key is found, an MG Authorised Repairer can reactivate it.

Note: Any key made privately may not start the vehicle, and may affect the safety of your car. To obtain a suitable key replacement, it is recommended that you can consult an MG Authorised Repairer.

Note: The new key cannot be offered to you immediately because it requires programming to the vehicle by the MG Authorised Repairer.

Note: Avoid operating the smart key close to strong radio interference devices (such as notebook computers and other electronic products), the normal function of the key may be affected.

Replacing the Battery

Please use the picture guide to replace the smart key battery if any of the following conditions occur:

- The smart key locking/unlocking function range is reduced;
- The message centre will display "Remote Key Low Battery, Please Replace".

A



B



C



D



- 1 Press the button (A) on the smart key to eject the decorative trim.
- 2 Remove the backup mechanical key (B) in the arrowed direction.
- 3 Using a suitable flat bladed tool, insert the tool into the side of the key (C), carefully prise off the battery cover and separate the upper and lower casings (D).
- 4 Remove the battery from the slot.

STARTING & DRIVING

- 5 Put the new battery in the slot, and make sure it is in full contact with the slot.

Note: *Make sure that the polarity of battery is correct ('+' side facing down).*

Note: *It is recommended to use a CR2032 battery.*

- 6 Refit the cover and press tightly, ensuring the gap around the cover is even.
- 7 Refit the mechanical key, and refit the decorative trim.
- 8 Operate the vehicle power system to resynchronize the key with the vehicle.

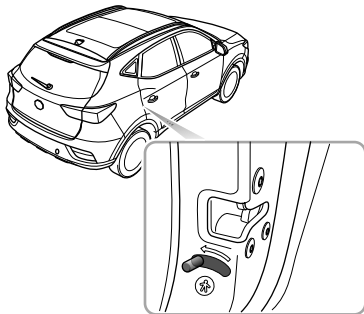
IMPORTANT

- Use of an incorrect or inappropriate battery may damage the smart key. The new replacement's rated voltage, sizes and specifications must be the same as the old one.
- Incorrect fitting of the battery may damage the key.
- Disposal of the used battery must be strictly in accordance with relevant environmental protection acts.

Child Proof Locks



NEVER leave children unsupervised in the vehicle.



- Open the rear door at corresponding side, move the child proof lock lever to the lock position in the direction of the arrow to engage the child proof lock;
- Move the lever to the unlock position in the reverse direction of the arrow to disable the child proof lock.

With the child proof lock locked, the rear door at the corresponding side cannot be opened from inside the car, but can be opened from outside the car.

Steps for enabling or disabling the child proof locks are as follows:

STARTING & DRIVING

Alarm System

Your car is fitted with an electronic anti-theft alarm and power immobilisation system. To ensure maximum safety and operation convenience, we strongly recommend you to carefully read this chapter to fully understand the activation and deactivation of anti-theft systems.

Power Immobilisation

Power Immobilisation is designed to safeguard the vehicle from theft. The power immobilisation system can only be deactivated to start the car by using the matched key.

Press the START STOP button on the instrument panel, once a valid key is detected in the vehicle, immobilisation system will be deactivated automatically.

If the message centre displays "Smart Key Not Detected" or "Put Key Into Back-up Position" or the power immobiliser system warning lamp illuminates, please put the smart key at the bottom of the centre console cup holder (refer to "Alternative Starting Procedure" in "Starting and Stopping the Power System" section), or try to use the spare key.

If the car can still not be started, please contact MG Authorised Repairer.

Body Anti-theft System

Locking and Unlocking

When the vehicle is locked, the indicator lamps flash three times; when it is unlocked, the indicator lamps flash once.

Operation of Door Lock System (Key)

Key Locking

- Using the remote key to lock: press the lock button on the key to lock the car after closing the doors, bonnet and tailgate.
- Using the mechanical key to lock: partially operate the door release handle, using a suitable flat blade tool, insert the tool into the underside of the trim and carefully remove the door lock trim cover, insert the key into the driver door lock and turn counterclockwise to lock the car.

Key Unlocking

- Using the remote key to unlock: press the unlock button on the key to unlock the car.
- Using the mechanical key to unlock: partially operate the door release handle, using a suitable flat blade

tool, insert the tool into the underside of the trim and carefully remove the driver door lock trim cover, insert the key into the driver door lock and turn clockwise to unlock the car.

Note: *If the vehicle power system is not switched to the ACC/ON/READY position within 15 seconds after the vehicle is unlocked with the mechanical key, the immobilisation alarm will be triggered.*

Note: *If no panels are opened within 30 seconds after the vehicle is unlocked by using the remote key, all doors will automatically re-lock.*

Operation of Door Lock System (Keyless)

The keyless entry system can lock and unlock the doors and tailgate as long as you carry the smart key and approach to the car.

IMPORTANT

The smart key must be within 1.5 metres of the vehicle for the keyless system to operate correctly.

STARTING & DRIVING

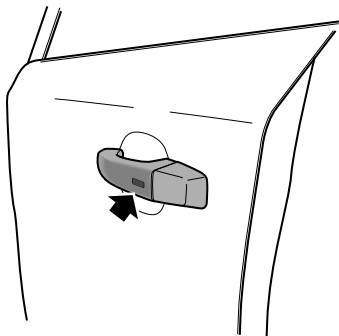
Keyless Locking

After switching the vehicle power system to OFF using the START/STOP button and exiting the car, press the door handle button once before moving away from the car to lock all doors, charge point door and tailgate (no need to press the lock button on the key). Note, this will also arm the alarm and immobilise the vehicle.

Keyless Unlocking

Press the button on the front door handle once to unlock the car, then pull the door handle to open the door.

Note: *When the vehicle is locked, if you are within the smart key range and operate the door handle button, but carry out no further action, after 30 seconds the vehicle will automatically re-lock itself to remain secure.*



IMPORTANT

After the door is locked by using the key, press the button on the door handle to unlock the car. If the car cannot be unlocked or locked normally, seek an MG Authorised Repairer.

Mislock

If the driver's door is not fully closed when the smart key lock button is pressed, or the vehicle power system has not been switched OFF, the vehicle horn will sound once, indicating a mislock. In this case, none of the doors will lock, the alarm system will not be armed and the direction indicator lights will not flash.

If the driver's door is closed, the passenger door, bonnet and tailgate are not fully closed, the horn sounds once to indicate mislock when the car undergoes locking operation. However, the 'partial arming' attributes of the security system will enable as much of the system to be armed as possible (all fully closed doors, bonnet or tailgate apertures will be protected, but an open door will not!). The alarm indicator will flash. As soon as the open aperture is closed, the system will automatically revert to an armed state

Inadvertent Locking of Keys in Vehicle

If the vehicle is locked using the mechanical key blade or handset whilst a smart key/s remain inside, the following actions will occur:

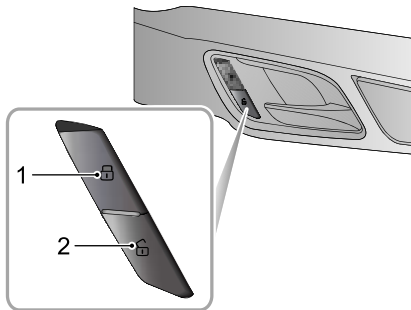
- One smart key locked in the vehicle - The immobilisation release function of the smart key locked in the vehicle is suspended, the lock and unlock function of the smart key is retained. The vehicle will not change power state. To reinstate the immobiliser release function of the smart key locked in the vehicle the second smart key should be used to unlock the vehicle. The function will automatically be reinstated.
- Both smart keys locked in vehicle - The immobilisation release function of both smart keys locked in the vehicle is suspended, the lock and unlock function of the smart keys is retained. The vehicle will not change power state. The reinstatement of key functions can only be carried out using the approved diagnostic tool. Consult an MG Authorised Repairer immediately.

Anti-theft Alarm Sounder

If the anti-theft alarm has been triggered, the car horn will sound continuously. Press the UNLOCK button on the key, the anti-theft alarm will be deactivated.

STARTING & DRIVING

Interior Lock and Unlock Switch



- 1 Lock Switch
- 2 Unlock Switch

When the anti-theft alarm system is not in operation, press the lock switch (1) to lock all doors; press the unlock switch (2) to unlock all doors.

Note: *If the anti-theft alarm system is switched on, pressing the lock/unlock button will not lock/unlock the doors but will trigger the alarm system.*

If the doors, bonnet and tailgate are closed, press the interior lock switch. The yellow indicator on the interior lock switch illuminates.

If a mislock is caused by non-driver door, tailgate or bonnet, press the interior lock switch. The yellow indicator on the interior lock switch illuminates.

Interior Door Handles

When the anti-theft alarm system is not in operation, use the interior door handle to open the door:

- 1 Pull the interior door handle once to unlock the door.
- 2 Pull the interior door handle again to open the door.

Speed Lock

All the doors will be locked automatically when the road speed exceeds 10 mph (15 km/h).

Automatic Unlock

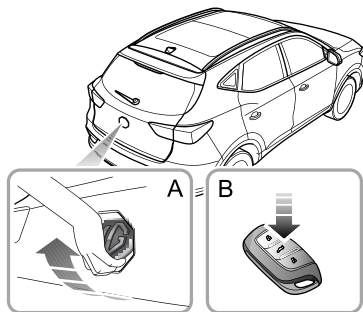
When the vehicle power system is switched to the OFF position, all the doors will be unlocked automatically.

Tailgate



If the tailgate can not be closed due to the type of cargo loaded, be sure to close all windows during driving, select the face distribution mode of the air condition, and set the blower to maximum speed, so as to decrease exhaust fumes entering the vehicle.

Tailgate Open Mode



STARTING & DRIVING

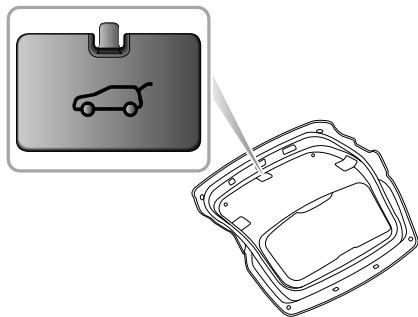
The tailgate can be opened by using the following 2 methods:

- 1 When the vehicle is unlocked, open the tailgate by turning over the emblem on the tailgate (Figure A).
- 2 With the vehicle power system in the OFF position, press the release button on the remote key (Figure B) for more than 2 seconds to open the tailgate.

Emergency Tailgate Opening

The emergency tailgate release access is located in the centre of the tailgate trim.

Fold down the rear seat to gain access, remove the blanking plug, and rotate the emergency open knob counterclockwise to open the tailgate from inside.



Starting and Stopping the Power System

START STOP Switch



The keyless START STOP switch is located in the fascia to the left of the steering column, it is a push button style switch. To operate the switch the smart key must be inside the vehicle.

The operational status displays are as follows:

Indicator Off (OFF)

If the switch has not been operated and there are no indicators illuminated, the power system is OFF. The power seats and electric door mirrors remain operational.

Yellow Light (ACC)

Pressing the START STOP button without the footbrake being applied whilst the vehicle power system is OFF will place the system in the ACC state, this will illuminate the yellow indicator in the switch button. The ACC position allows operation of certain ancillaries such as power windows.

Green Light (ON/READY)

- Whilst in the ACC state, pressing the START STOP button without the footbrake being applied will place the system in the ON state, the green indicator will illuminate. This will allow the remaining electrical systems to operate.
- Pressing the START STOP button with P selected and the footbrake applied will place the vehicle in the READY state, the green indicator will illuminate and the word READY will appear in instrument panel information display. This indicates that all electrical

STARTING & DRIVING

systems will operate and the vehicle is ready to be driven.

Note: *Whilst in the OFF state, if the driver exits the vehicle leaving the smart key inside, the horn will sound three times in quick succession upon closure of the driver's door. Subsequent re-opening of the driver's door will display a warning message in the instrument pack message centre to indicate that the key is still in the car.*

Note: *To remove the electronic shift control knob from P the vehicle must be in an ON/READY state and the footbrake applied.*

If your car is subject to strong radio signals the keyless entry and start systems may suffer from interference and not function correctly. Please see the 'Alternative Starting' procedure.

READY Mode

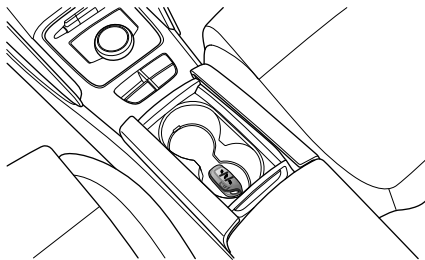
Setting the power system into READY mode:

- 1 Ensure all unnecessary electrical loads are switched off.
- 2 Ensure the parking brake is applied.
- 3 Ensure P or N is selected (If the shift control knob is in any other position the power system cannot be switched to the ON/READY state)
- 4 Press brake pedal.
- 5 Press the START STOP button (do not hold the button in, release immediately)
- 6 The green indicator will illuminate and READY will be displayed in the instrument pack message centre.

IMPORTANT

- If the vehicle will not enter a READY state, please check for any warning indicators or messages displayed in the instrument pack message centre. In extremely low temperatures please allow 5 minutes between power up attempts, if after 3 attempts the power state cannot be set to READY please consult an MG Authorised Repairer or breakdown service.
- Do not leave the power system in an ACC or ON/READY state for long periods of time, excessive use of electrical equipment may lead to a discharged battery.
- The vehicle is fitted with an anti-theft system. Independently sourced keys may not allow vehicle entry and system power up. Any new keys will require programming using the manufacturers software.
- Your car is fitted with complex electronic control systems, please ensure that all other radio transmission or electromagnetic devices are kept away from the smart key and centre console cubby areas. They may cause interference and operational issues. Please see the 'Alternative Starting' procedure.

Alternative Starting Procedure



If the vehicle is located in an area where there are strong radio signals causing interference or the smart key battery condition is low, please use the following steps to attempt to start the car:

- 1 Place the smart key centrally in the centre console cup holder cubby box with the buttons facing upward - as shown in the illustration..

STARTING & DRIVING

- 2 Ensure P or N is selected, press the brake pedal and then press START STOP to power the vehicle.

If the vehicle power system cannot be changed after the car has left the area of strong radio interference or had the smart key battery replaced please consult an MG Authorised Repairer.

IMPORTANT

The Alternative Starting Procedure should only be required if the smart key battery is very low or flat. Once the vehicle has been removed from the area of excessive radio interference the keyless entry and Start Stop systems should return to normal.

Switching the Power System OFF

Setting the power system to OFF.

- 1 After bringing the car to a halt, ALWAYS maintain brake pedal application.
- 2 Using the electronic shift control knob select (P), this will automatically apply the parking brake - please check that the parking brake is applied.

- 3 Press START STOP button to shut down the power system.

Note: Please observe the park brake warning light and message displayed in the instrument pack message centre confirming that the parking brake is applied before exiting the vehicle.

Note: Should the power system require to be shut down in the case of an emergency, press and hold the START STOP button in excess of 4 seconds.

Pedestrian Alert Control System

In order to improve the safety, your car is fitted with a Pedestrian Alert System. When the vehicle is travelling at a low speed, the system controls a speaker that sounds to remind pedestrians in the vicinity of your presence.

The pedestrian alert system can be turned on or off through the infotainment system settings. The default status of the system after vehicle power-on again is ON:

Note: The pedestrian alert system can only be turned off when there is no pedestrian within a short distance and the surroundings obviously show that there's no need of a warning tone.

The strategies of sounding warnings are as follows:

Sound Warnings

The speaker sounds when all of the following conditions are met:

- 1 The vehicle is READY;
- 2 The pedestrian alert system is enabled;

- 3 The vehicle is accelerating and the speed is between 0mph (0km/h) and 19mph (30km/h), or the vehicle is decelerating and the speed is above 0mph (0km/h) but below or equal to 15mph (25km/h).

Not Sound Warnings

The speaker does not sound when one of the following conditions is met:

- 1 The vehicle is not READY;
- 2 The pedestrian alert system is disabled;
- 3 During acceleration, the vehicle speed is greater than or equal to 19mph (30km/h);
- 4 During deceleration, the vehicle speed is greater than 15 mph (25km/h).

STARTING & DRIVING

Economical and Environmental Driving

Running-in

The brakes and tyres need time to 'bed-in' and adjust to the demands of everyday motoring. During the first 900 miles, please avoid heavy braking where possible.

Economic Driving

The way in which you drive your car has a significant bearing on the life span of the car and battery.

Drive Smoothly

Anticipating obstructions and slowing down well in advance, avoids the need for unnecessary acceleration and harsh braking. A smooth driving style not only improves battery/distance performance, but can reduce the amount of wear on the brakes and tyres.

Avoid Driving at Maximum Speed

Power consumption and noise levels rise significantly at higher speeds.

Driving Foreseeingly

Avoid roads with traffic congestion or traffic jams. Foresee road congestion as early as possible and keep enough distance to the front car during driving, and slow down in time. Avoid stamping on the brake pedal for long time if there is no braking need, which will cause friction plate overheating and premature wear.

Use of Electrical Equipment

Use of electrical equipment will reduce the power available from the battery. Whilst it is essential to maintain a comfortable interior environment, excessive use of system such as A/C will increase power consumption and reduce the vehicle range.

Driving in Special Environment

Driving in Rain or Snow



Emergency braking, accelerating and steering on slippery roads will reduce the vehicle's handling performance and grip.

- When raining the windows may fog, reducing visibility (Use the Air-conditioning demist function).
- Grip will be reduced, so please drive carefully.
- Reduce speed when it rains. Avoid aquaplaning (the effect of a film of water between the tyres and the road) affecting steering and braking performance.

Driving through Water

Avoid driving through floods after heavy rain, which may lead to serious damage to the vehicle.

STARTING & DRIVING

Check and Service

Check Tyre Pressures Regularly

Under-inflated tyres increase the rolling resistance of the car which, in turn, increases power consumption. Over or under-inflated tyres wear out more rapidly and also have a detrimental effect on the car's handling characteristics.

Do not Carry Unnecessary Loads

The additional weight of unnecessary loads wastes power, especially in stop/start conditions where the car is frequently required to set off from stationary.

Maintain Correct Four-Wheel Alignment

Maintain the correct wheel alignment. Avoid collisions with the kerb and reduce speed on uneven road surfaces. Out of specification wheel alignment will not only lead to excessive tyre wear, but also increases the load and power consumption.

Vehicle Control

Vehicle Control System

The vehicle control system is used to collect data regarding the requirements from the driver (accelerator pedal, brake pedal, gear shift selection etc), it uses this information to adjust the driving stability and ride comfort, and to limit the output torque of the vehicle according to the vehicle condition (practical capabilities of current high-voltage battery pack and drive motor).

Driving Mode

The driver is able to select different driving modes to suit their requirement. In different driving modes, the vehicle control system can use different control strategies for output control. For operation mode, please refer to 'Driving Mode' in 'Electric Drive System (EDS)' chapter.

Energy Regeneration (KERS)

Whilst the vehicle is in an over-run, coasting or braking condition the vehicle will enter the KERS mode, converting part of the kinetic energy into electric energy by driving

the motor, which is then stored in the high-voltage battery pack.

The driver can choose different energy recovery levels as required. For operation mode, please refer to 'Energy Regeneration (KERS)' in 'Electric Drive System (EDS)' chapter.

Adaptive Cruise Control

The adaptive cruise control function enables the driver to keep the vehicle advancing at a constant speed, or, when using car following cruise control mode, without the requirement to operate the accelerator pedal. The driver can select the cruise settings by operating the lever switch, please refer to 'Adaptive Cruise Control System' chapter for the operation mode.

Power Limit of Electrical Appliances

According to the current load condition and the status of the low-voltage (12V) battery, the vehicle can limit the power of some comfort electrical appliances, such as restricting USB charging, partial lighting, air conditioning blower, entertainment system screen brightness and

STARTING & DRIVING

volume. At the same time, the prompt information will be displayed in the information centre in the instrument pack.

IMPORTANT

If any of the conditions described above occur, please charge the low voltage battery as soon as possible.

Charging Requirements



Under normal circumstances it is strongly recommended that you use a slow charging method, avoid constant or regular use of rapid chargers.



Prior to using any charging equipment please inspect the sockets, plugs and cables for any damage. DO NOT use any equipment that shows signs of misuse or damage.



It is recommended that the charging cable be connected to the charging device before connecting to the vehicle and charging commences.



DO NOT attempt to switch the vehicle power system ON during charging.



After charging completion, switch off the charger (where necessary), disconnect the cable from the vehicle, fit the waterproof blanking plug, close the charging point door. If necessary you can then disconnect the cable from the charger (where applicable).



Whilst charging the car on rainy days is possible, please avoid connecting the charger during torrential rain or storms. If excessive water is evident around the charging plugs please use a suitable cloth to dry the area as best possible before removing the waterproof blanking plugs and connecting the charging cables.



DO NOT touch the charging connector or charging plug when your hand is wet.



DO NOT stand in water or snow when connecting or disconnecting the charging cable.

STARTING & DRIVING



DO NOT attempt to charge when the charging connector and plug are wet.



Always keep the charging connector and charging plug in clean and in a dry condition. Be sure to keep the charging cable in a condition where there is no water or moisture.



Only use the correct charger for charging the electric vehicle. Using any other charger or connector configuration may cause failure.



Take care not to drop the charging connector. This could result in damage.



STOP charging immediately if you find anything abnormal, such as sparks, burning or smoke.



Always hold the charging connector handle or plug when connecting or removing the charging cable, if you pull the cable itself (without using the handle), the internal wires may disconnect or get damaged. This may lead to electric shock or fire.



High voltage charging equipment can cause interference with electronic medical devices. When using medical electrical devices such as pacemakers, please consult your doctor about whether charging your electric vehicle will impact the operation of the device. In some instances, electromagnetic waves that are generated from the charger can seriously impact medical electric device operation.

Charging Your Vehicle at Home

Whilst your MG has been supplied with a home charging kit it is essential that you check with a qualified electrician that the infrastructure of your property will support the charging equipment. Please seek qualified advice that your current electrical supply and circuits will support the requirements of the charging equipment.

Installed Charging Points

Various companies will supply and install charging points to your property, MG insist that only qualified reputable suppliers and installers are used - failure to have the correct equipment installed by a qualified professional may result in overloaded circuits and fire.

Home Charging Guide

ONLY use certified approved equipment.

ONLY use qualified suppliers and installers.

When the battery is fully charged, disconnect the cable plug from the vehicle socket - if it is necessary to interrupt the charging of the vehicle, disconnect the vehicle plug first, then isolate the power supply.

NEVER allow water or fluids to enter or contaminate your charger or vehicle charging sockets.

NEVER use damaged charging points, equipment or sockets.

STOP charging immediately if you see anything unusual, smell burning or see sparks. **ALWAYS** follow the operating instructions supplied with your charging equipment.

ALWAYS follow the operating instructions supplied with your charging equipment.

STARTING & DRIVING

Charging and Medical Condition Awareness



High voltage charging equipment can create areas of strong electromagnetic interference, this may cause operational issues with electronic medical devices.

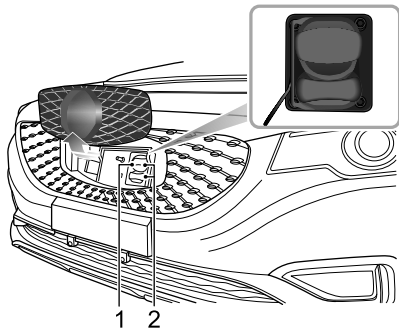
When using medical electrical devices such as pacemakers or cardioverter defibrillators (ICD's) please consult your doctor about whether charging your electric vehicle will impact on the operation of the device. In some instances, electromagnetic waves that are generated from the charger can seriously impact medical electric device operation.

Note: There are no cautions issued about medical devices when the car is not connected to a charge point and charging. It is perfectly safe for individuals fitted with pacemakers or cardioverter defibrillators to drive or ride in the vehicle.

Charging Port

The charging port is located behind the charging port door centrally mounted in the front bumper.

To open the door, ensure the vehicle is unlocked, press the MG badge and release - the door will open. Lift the door to reveal the waterproof blanking plugs.



1 Slow and Fast Charge Port - 7 Pin - Type 2 Plug

2 Rapid Charge Port - 7 Pin and 2 Pin - CCS Type Plug

The upper plug covers the 7 pin slow/fast charging socket (1), the lower plug covers the rapid charging socket (2).

Note: In order to use the rapid charger socket both waterproof blanking plugs will require removal.

After charging, refit the waterproof blanking plugs (slow/fast charge socket cover first), lower the charging port door and using the MG badge, push the door fully home until the latch locates.

ALWAYS ensure that any excess water is removed from the port area before connecting any charging device.

Charging Port Electronic Lock

In order to prevent the charging connector and cable being disconnected inadvertently during charging, the charging socket features an electronic locking mechanism.

The electronic lock is activated as soon as the vehicle is locked, and remains in a locked state until the car is unlocked.

Whilst the charging cable is connected and the vehicle locked DO NOT attempt to remove the plug.

Only when the vehicle is unlocked can the charging connector be unplugged.

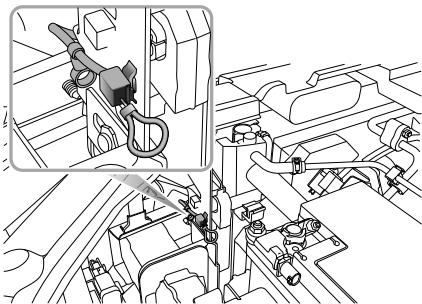
Note: The car will not charge whilst in an unlocked state.

Manually Releasing the Charging Port Lock in Emergency Situations

The vehicle features an emergency release device for the charging port lock.

STARTING & DRIVING

To access the manual release, raise the bonnet and locate the release cable on the N/S of the radiator cowl assembly - see picture.



Pull the release cable handle, remove the connector plug whilst maintaining tension on the cable this will release the locking device.

Rapid Charging

Note: Please read any equipment operating instructions carefully prior to using the rapid charging station. Each type of charger may use different instructions.

If you have any doubts please seek professional assistance.

Rapid Charging Safety Precautions

- Before connecting the rapid charger, switch the vehicle power system OFF and wait 10 seconds.

Display Information

- 1 Front charging breathing lamp located in the front vehicle logo position brightens and dims.
- 2 When charging is complete the front charging breathing light will extinguish.

Note: If at any time during the charging process you should want to check the state of charge, please switch the vehicle power system to the ON position. The high voltage battery state of charge will be displayed in the message centre in the instrument pack.

Slow Charging

Note: *Carrying out a full slow charge is the only way for the high voltage battery to reach the optimal equilibrium state (equalisation charge).*

High voltage battery chargers are available with various power outputs. Chargers with outputs of up to 3 kW are generally considered as slow chargers, 7 - 22 kW are considered fast chargers and rapid chargers are available in AC or DC outputs. Generally the AC chargers are rated at 43kW and the DC chargers at 50kW plus.

Charging times are dependant on charger output.

To carry out an equalisation slow charge it is recommended that the charger output does not exceed 7kW.

AC Charging Points

IMPORTANT

Please ensure that only charge points that meet IEC 61851 and IEC 62196 are used to connect to your vehicle.

Using an AC charging device:

- 1 Ensure vehicle power system is OFF and all doors are closed.
- 2 Open the charging port door, remove the waterproof blanking plug from the 7 pin charging plug connector. Lock the vehicle.
- 3 Plug the cable from the charger point into the vehicle.
- 4 When the charging cable is connected, the front breathing lamp will illuminate.
- 5 Whilst the vehicle is charging the front breathing lamp will brighten and dim. When the high voltage battery pack begins the equalising process the front charging breathing lamp will remain ON.

STARTING & DRIVING

- 6 On completion of the equalisation charge the charging status message and front breather lamp will extinguish.
Unlock the vehicle and disconnect the plug from the vehicle.
- 7 Ensure the charge socket is free from debris, fit the waterproof plug. Close the charging point door.

Note: If at any time during the charging process you should want to check the state of charge, please switch the vehicle power system to the ON position. the high voltage battery state of charge will be displayed in the message centre in the instrument pack.

Note: If the vehicle is unlocked during the charging process, charging will be suspended. Charging will resume when the vehicle is re-locked. If charging does not automatically resume after locking the vehicle, it may be necessary to remove and refit the charger cable.

Residential Charging

Your vehicle will have been supplied with a residential charging device. This device can be plugged into a standard household 3 pin socket.

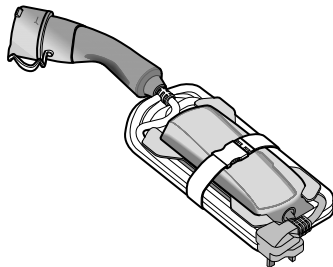
During the charging operation the vehicle power system must be OFF. Carry out the following procedure to charge the car using the charger supplied with the vehicle:

- 1 Ensure vehicle power system is OFF and all doors are closed.
- 2 Open the charging port door, remove the waterproof blanking plug from the 7 pin charging plug connector. Ensure the surroundings are clean, dry and free from debris. Lock the vehicle.
- 3 Connect the 7 pin charging plug to the socket on the vehicle.
- 4 Connect the charging device 3 pin plug to the domestic electricity supply.
- 5 When the charging cable is connected the front breathing lamp will illuminate.

- 6 Whilst the vehicle is charging the front breathing lamp will brighten and dim. When the high voltage battery pack begins the equalising process the front charging breathing lamp will remain ON.
- 7 On completion of the equalisation charge the front breather lamp will extinguish. Unlock the vehicle, disconnect the charging cable from the vehicle, and then the domestic plug.
- 8 Ensure the charge socket is free from debris, fit the waterproof plug. Close the charging point door.

Note: *If at any time during the charging process you should want to check the state of charge, please switch the vehicle power system to the ON position. the high voltage battery state of charge will be displayed in the message centre in the instrument pack.*

Note: *If the vehicle is unlocked during the charging process, charging will be suspended. Charging will resume when the vehicle is re-locked. If charging does not automatically resume after locking the vehicle, it may be necessary to remove and refit the charger cable.*

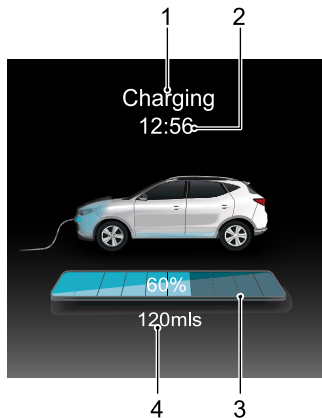


Slow charging kit (supplied with the vehicle)

STARTING & DRIVING

Charging Information

At the beginning of the charging process, the following information will be displayed within the instrument pack message centre.



- 1 Charging status
- 2 Current time
- 3 High-voltage Battery Pack status
- 4 Driving range

Equalisation Charging

Equalisation charging means that after a normal charging process the battery management system will enter a mode where it will attempt to equalise the charge of every battery cell.

If an equalisation charge has not been carried out for some time the message centre in the instrument pack will display 'Please Slow Charge the Vehicle'. Please refer to 'Slow Charging' in the 'Starting and Driving' section.

On average it takes at least 7.5 hours to complete a charge that includes the equalisation charge.

Note: *Ambient temperatures have an effect on charging times, it may take longer to complete a charge when the ambient temperatures are low.*

Charging Times

Charging times of the high voltage battery can vary depending upon numerous factors, these include: current capacity, charging mode, ambient temperature and device type/power.

Rapid Charging Time

Rapid chargers will vary in power output, on average it will take approximately 40 - 60 minutes to charge the high voltage battery up to 80% using an average rapid charger.

Note: *Ambient temperatures have an effect on charging times, it may take longer to complete a charge when the ambient temperatures are low or high.*

Slow Charging Time

On average it takes approximately 7 hours to charge the high voltage battery from low battery warning to 100% (charge quantity can be checked using the instrument pack).

- At low temperatures the charging time will be extended.

STARTING & DRIVING

- If an equalisation charge has not been conducted for a long time the required charge time will be extended.
- An equalisation charge must be carried out prior to using the car after a long period of storage or non use.

In these cases the charging time will be extended.

Note: The slow charging notes above relate to using an AC charging device with an output rating of 7kW. Use of the slow charging device supplied with the car using a domestic power supply can increase the charging times by up to 3 times.

Indicative Charging Times

Note: *These times are only a guide.*

Rapid charging		From alarm status (the high voltage battery low warning displayed in the instrument pack message centre) to 80%, it takes almost 40 minutes.		
Slow charging	Residential electricity	From alarm status (the high voltage battery low warning displayed in the instrument pack message centre) to 100% (the high voltage battery state of charge displayed in the instrument pack message centre), it takes almost 20 hours.	From alarm status (the high voltage battery low warning displayed in the instrument pack message centre) to 100% (the high voltage battery state of charge displayed in the instrument pack message centre) and equalization, it takes almost 20.5 hours.	It takes approximately 22 hours to complete an equalisation charge for first use after the vehicle has been parked or stored for a long time.
	AC charging station	From alarm status (the high voltage battery low warning displayed in the instrument pack message centre) to 100% (the high voltage battery low warning displayed in the instrument pack message centre), it takes almost 7 hours.	From alarm status (the high voltage battery state of charge displayed in the instrument pack message centre) to 100% (the high voltage battery state of charge displayed in the instrument pack message centre) and equalization, it takes almost 7.5 hours.	It takes approximately 9 hours to complete an equalisation charge for first use after the vehicle has been parked or stored for a long time.

STARTING & DRIVING

Electric Drive System (EDS)

Instructions

The following information is very important, please read carefully before use:

- The electric drive system consists of a high voltage unit. **DO NOT** touch any drive components unless you have the correct training and qualifications.
- Before setting the vehicle power system to ON, please ensure that P or N is selected, the parking brake **AND** footbrake is applied.
- When the vehicle power system is **READY**, use the shift selection knob to select your required gear.
- Release the parking brake but maintain footbrake application until you are ready to manoeuvre. On a flat road, once you release the footbrake you will begin to move, slowly apply the accelerator to increase your speed.

Gear Shift Control



Shift Control Knob Position



Do NOT turn the shift control knob to either **P** or **R** from the **D** position whilst driving or whilst the vehicle is in motion. This will cause severe damage to the electric drive system or cause an accident.

- P Park

When the shift control knob is in this position, the electronic parking brake is applied.

Note: *The electronic parking brake system must be released via the EPB switch. See “Electronic Parking Brake (EPB)” under the “Brake System” section.*

- R Reverse

Select this gear only when the vehicle is stationary and you wish to drive backwards.

- N Neutral

Select this gear when the vehicle is stationary (for example, waiting for traffic lights).

- D Drive

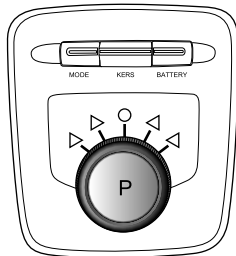
This is used for normal driving.

Note: *The highlighted letters in the information centre indicate the selected gear or mode.*

Shift Control Knob Operation



DO NOT press the shift control knob whilst driving .



The shift control knob has 5 available positions:

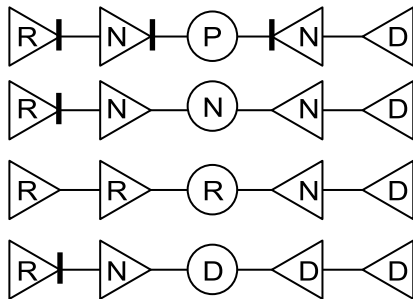
The **O** position is the default and the only fixed position, any movement of the knob will return to this position.

STARTING & DRIVING

The ▷ and ◁ positions are sprung loaded momentary positions, after selection the knob will automatically return to the central default position.

In order to prevent accidental operation by pressing the button, the shift control knob requires a firm press to operate and select P as long as the other specific selection requirements are met.

To carry out a gear shift, operate the shift control knob as per the following instructions:



- Current gear.
- ▷ ◁ Unlocked positions.
- | Apply footbrake to allow selection.

Precautions:

- The initial gear position after powering the vehicle will be P. When switching to the R, D or N positions the footbrake **MUST** be applied.
- When switching to the R position from the N position , the footbrake **MUST** be applied.
- If the vehicle speed is below 1 mph (2 km/h), the shift control knob can be pressed to select and engage P.
- If the vehicle speed is below 1 mph (2 km/h)and the start/stop button is operated to power the vehicle OFF, P will automatically be selected and engaged.
- If the vehicle speed is below 1 mph (2 km/h), the footbrake released, the driver seat belt unfastened and the driver door opened, P will automatically be selected and engaged.
- For safety reasons **ALWAYS** apply the footbrake when shifting between R and D positions.

Vehicle Start-off

The vehicle can only be switched to a READY mode with P or N selected and the footbrake applied.

After selecting your desired gear position, waiting a very short time for the electrical drive system to engage and releasing the brake pedal, you should press the accelerator to start driving.

STARTING & DRIVING

Driving on Hills



In cases where a short stop on a hill is required, such as a traffic jam, DO NOT momentarily apply the accelerator to prevent “roll back”. This could cause the electric drive system to overheat or even system damage.

Hill Start

In cases of a hill start, the start assist function of the electronic parking brake (EPB) can be used to prevent the vehicle from rolling backwards. For details of this function, please refer to “Electronic Parking Brake (EPB)” in “Brake System” section.

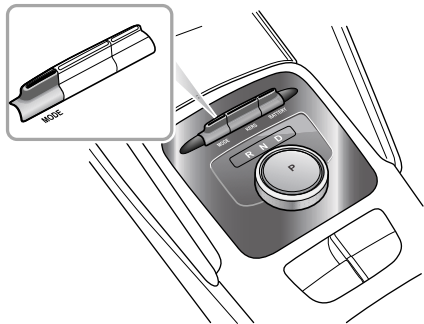
Models fitted with Hill Hold Control can use this function to assist hill starts. For details on hill hold control system, please refer to “Hill Hold Control System” in “Brake System” section.

Note: *The aid of these functions cannot defy the laws of physics. DO NOT drive the vehicle beyond its physical limitations, loss of control will still occur.*

Driving Mode (MODE)



Please avoid switching between Driving Modes whilst driving, this may divert the driver's attention away from road conditions and cause an accident.



The driver can manually select three driving modes by operating the MODE switch on the centre console: Eco Mode, Normal Mode and Sport Mode.

- The message centre in the instrument pack will display: E (Eco Mode), N (Normal Mode), S (Sport Mode).

Toggle the MODE switch forward or backward to switch between three driving modes.

Every time the vehicle power system is cycled and the system set to READY, the driving mode defaults to Normal Mode.

In different driving modes, the control system uses different control strategies for output control.

Eco Mode

Economy Mode optimises energy consumption, this will provide the best results regarding the range of the vehicle.

Normal Mode

Normal Mode combines economy and performance to meet the driving requirements of most drivers.

Sport Mode

Sport Mode concentrates on providing more power to enhance the performance.

Note: *Constant use of Sport Mode will decrease the range of the vehicle.*

Note: *It is recommended to choose the Sport Mode when driving in special road conditions such as mountain roads .*

Selecting different driving modes will also automatically select setting of other systems such as electronic steering and A/C - please see the chart below:

Driving Mode	Power Mode	Steering Mode	A/C Mode
Eco	Eco	Urban	Eco
Normal	Normal	Normal	Normal
Sport	Sport	Dynamic	Sport

Note: *Steering mode selection is only available at speeds up to 60 mph (100 km/h) and when the steering wheel is not being turned. Any changes made whilst in either of these states will not take effect until the speed decreases or the steering wheel is straight ahead.*

STARTING & DRIVING

Note: If a fault is detected within the power or the electronic steering systems, the system will automatically default to Normal Mode.

Note: Whilst Eco Mode is selected, the A/C will operate in a low energy consumption state to provide an increase in vehicle power.

Energy Regeneration (KERS)



Deceleration effected by energy regeneration is NOT a substitute for braking safely. The driver must ALWAYS be prepared to make braking manoeuvres to maintain safe driving.

When the vehicle is in a braking, over-run or coasting state, the energy regeneration function is activated, and the motor converts part of the kinetic energy of the vehicle into electric energy, which is then stored in the high voltage battery.

Energy cannot be regenerated or limited under some conditions, such as:

- N gear is selected (During driving do not coast in N gear) ;
- During torque intervention (SCS or traction control operation) ;
- High voltage battery is fully charged;
- High voltage battery temperature is too high or too low.

The energy regeneration system (KERS) has three levels:

Heavy

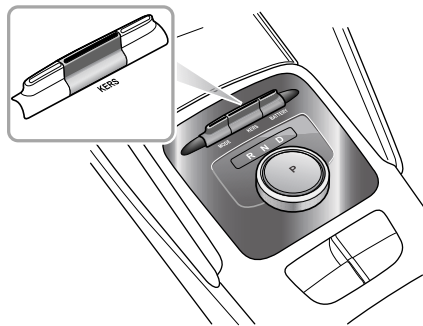
Heavy Level: Maximum energy is regenerated, the vehicle exhibits shorter coasting distances and a strong sensation of over-run drag or motor braking. The information centre displays ^③.

Moderate

Moderate Level: moderate energy regenerated. The information centre displays ^②.

Light

Light Level: Minimum energy is regenerated, the vehicle exhibits longer coasting distances and no significant sensation of over-run drag or motor braking. The information centre displays ^①.



4

The driver can manually select three energy regeneration levels by operating the KERS switch in the centre console.

Toggle the KERS switch forward or backward to switch between three energy regeneration levels.

Every time the vehicle power system is cycled and the system set to READY, the energy regeneration levels defaults to Heavy Level.

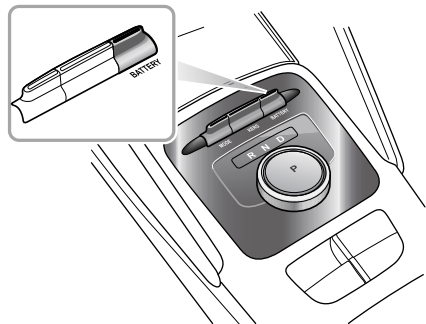
STARTING & DRIVING

Energy Regeneration Level Suggestions:

Driving Mode	Energy Regeneration
Eco	Heavy
Normal	Moderate
Sport	Heavy

It is recommended to choose Light or Moderate levels on surfaces that have low adhesion levels (e.g. icy roads).

Battery Status Display (BATTERY)





The driver can toggle the BATTERY switch in the centre console forwards or backwards to display the remaining distance available on the current battery charge. The data will be displayed for a few seconds in the message centre in the instrument pack and then extinguish.

Protection Mode



When parking the vehicle, please ensure the vehicle is parked safely and that all traffic by-laws are observed.

Motor Overheating Protection of Electric Drive System


The electric drive system may become very hot in a high-temperature environment with frequent starting, frequent rapid acceleration and deceleration, long-term continuous steep climbing, and overload of the electric drive system. In order to prevent damage to the motor, the system will perform an overheating protection function, the warning indicator  illuminates, and the warning message “Motor Overheating” displays simultaneously. After a few seconds, the warning message will disappear but the warning indicator  will remain on.

In this case, park your vehicle safely or keep a low load and continue to drive your vehicle at a constant speed to cool the motor. Only when the motor temperature has

decreased, the warning indicator is off, and the warning message disappears, can the vehicle be driven normally.

If the electric drive system has cooled down for a long time (about 20 minutes) and the warning indicator has not disappeared, please park the vehicle safely and seek an MG Authorised Repairer immediately, otherwise it may seriously damage the electric drive system.

Caution

When the motor of the electric drive system is under overheating protection, in order to avoid damage to the motor, the power of the vehicle will be limited (the information centre will display “Power Limited, Limiting Speed”, and warning indicator  will illuminate). After decelerating, the warnings will disappear when the motor temperature returns to normal.


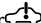
Motor Fault of Electric Drive System

If a fault or failure is detected in the motor or the power electronic box of electric drive system, the warning message “Motor Fault” and icon will be displayed in the



STARTING & DRIVING

message centre in the instrument pack, please seek an MG Authorised Repairer immediately.

Limp Mode

In some cases, when a fault or failure is detected, the electric drive system will enter the Limp Mode and will only function at certain speeds, the warning indicator  illuminates, and the warning message "Vehicle Control System Fault" displays simultaneously. After a few seconds, the warning message disappears but the warning indicator  will remain on, please seek an MG Authorised Repairer immediately.

Severe Functional Malfunction

In some cases, when a fault or severe failure is detected in the electric drive system, the warning indicator  illuminates, and the warning message "Vehicle Control System Fault" displays simultaneously. After a few seconds, the warning message disappears but the warning indicator  will remain on. To protect the electric drive system, the power system will isolate the power transmission,

and the vehicle cannot be driven, please seek an MG Authorised Repairer immediately.

In some cases, when a fault or severe failure is detected in the gear shift system, the information centre will display "EP". For a safe driving, if the vehicle speed is below a preset speed, the power system will isolate the power transmission, and the vehicle cannot be driven, please seek an MG Authorised Repairer immediately.

Brake System

Foot Brake

For added safety, the hydraulic braking system operates through dual circuits. If one circuit should fail, the other will continue to function, but greater pedal pressure will be needed, and increased brake pedal travel, and longer stopping distances will be experienced. In the event of a brake failure where only one circuit is operational, the car should be brought to a halt as soon as traffic conditions safely allow. **DO NOT** continue driving - seek an MG Authorised Repairer.

Servo Assistance

The braking system is servo assisted, always be aware of the followings during the operation:

- The servo assistance function is reliant upon vacuum, vacuum is only produced whilst the vehicle power system is ON or READY/RUNNING. **NEVER** allow the car to coast when the vehicle power system is OFF.
- Vacuum to support the system is provided by an electric vacuum pump. **DO NOT** continually pump the brake

pedal, this may affect the vacuum pump efficiency, the braking system may be unable to provide sufficient brake assist and the vehicle speed will be limited. If this situation does occur or is unavoidable, when it is safe to do so, please pull over and allow the electric vacuum pump to cool down for a while. Please power the vehicle again, to return to normal.

- If the prompt message "Vacuum System Fault" is displayed in the information message centre, bring the car to a halt as quickly as traffic conditions safely allow and contact an MG Authorised Repairer as soon as possible. At this time, the braking system may be unable to provide sufficient braking force, **DO NOT** drive the vehicle.
- The efficiency of the brake servo booster can be affected by numerous conditions, such as change of atmospheric pressure due to altitude differences. These conditions could result in extra force being required to operate the brake pedal to stop the car.

Wet Conditions

Driving through water or heavy rain may adversely affect braking efficiency. The SCS (Stability Control System)

STARTING & DRIVING

includes a Brake Disc Wiping function which is activated when the windscreen wipers are used. However, always keep a safe distance from other vehicles and intermittently apply the brake pedal in conditions where the wipers are not used.

Electronic Brake Force Distribution (EBD)

Your car is equipped with Electronic Brake Force Distribution, which, in order to maintain braking efficiency, distributes braking forces between front and rear wheels, under all load conditions.

EBD integrates a monitoring system. The monitoring system is linked to the brake system malfunction indicator lamp on the instrument pack. Refer to "Warning Lights and Indicators" in "Instruments and Controls" section.

If the indicator lamp illuminates while driving, or remains illuminated after the vehicle power system is switched ON/READY, it indicates there is a failure with the braking system, and EBD may be inoperative. In such a case, stop the car as soon as safety permits and seek an MG Authorised Repairer immediately. DO NOT drive the

car with the braking system malfunction indicator lamp illuminated.

Electronic Brake Assistance (EBA)

Your car is equipped with Electronic Brake Assist, which reacts to the speed at which the brake pedal is applied. If, in an emergency situation the brakes are applied faster than the limits set within the system, then full ABS application is applied to bring the car to a stop in the shortest possible distance.

Hill Hold Control (HHC)



HHC has limitations when subject to adverse conditions such as wet or icy surfaces and steep slopes.



HHC is not a substitute for parking brake application when carrying out a hill start. DO NOT exit the vehicle with only HHC applied, it may lead to a serious accident when HHC releases.



The car may roll if 'pull-away' is not achieved immediately after releasing the brake pedal.



Always ensure the brake pedal is pressed or electronic parking brake applied until drive is taken up.



Firm application of the brake pedal when stopping is required by HHC to generate sufficient brake pressure to maintain hold.

Hill Hold Control is a comfort function. It works on inclines when the car detects it has come to a 'stand still status'. As long as D or R is selected and the brake pedal released, the vehicle will maintain pressure in the braking system for 1 – 2 seconds. After this, the Hill Hold will release.

HHC assists the driver by 'holding' the vehicle during hill starts.

The following conditions must be fulfilled to activate HHC:

- The driver's door is closed and the driver seat belt is fastened.

- The vehicle is stopped on a slope in excess of 4% and for more than 2 seconds.
 - SCS is active and fault free.
 - EPB is released and fault free.
 - In D or R gear.
 - Power system is READY/RUNNING.
 - Sufficient brake pedal application force has been applied.
- If the driver releases the brake pedal on a hill, HHC will maintain brake pressure for 1 - 2 seconds, after this period the vehicle may roll backwards.

Note: HHC cannot overcome physical limitations. DO NOT solely rely on HHC.

Note: HHC is available in both forward and backward directions when pulling away on uphill slopes.

Note: If "Hill Hold Unavailable" is displayed in the information message centre it indicates that the system has detected a fault or another system may be preventing correct operation. Please contact an MG Authorised Repairer as soon as possible.

STARTING & DRIVING

Hill Descent Control (HDC)



The HDC system is only an auxiliary function. It has limitations when subject to adverse conditions such as wet or icy surfaces and steep slopes. The HDC system cannot overcome the laws of physics, always ensure that the vehicle is driven down steep slopes at low speeds.



Even when the HDC system is switched on, the driver must always pay close attention to the driving state of the vehicle, and take active control when necessary. In certain cases, HDC may be suspended or switched off temporarily.



During some driving conditions on downhill surfaces (e.g. driving down a slope at high speed or small slope, etc.), HDC is inoperative, the driver must maintain control of the vehicle at all times and use brake applications to ensure safety.

The HDC system is an auxiliary function specially designed for driving on acute downhill gradients. The system reduces the speed by applying brake force, thus assisting the driver to drive on acute downhill surfaces with low speeds.

Please DO NOT use this function when driving on the ordinary roads.

When the HDC is working, the brake system may generate strong vibrations or noise. It is normal during the operation of HDC.

Note: *During the operation of the hill descent control (HDC) system, please do not move the shift control knob to the "N" position. Such operation may deactivate the HDC function.*

HDC System On/Off

When the vehicle power system is placed in ON/READY position, HDC system defaults to off. Use the switch function within the infotainment system to turn the HDC system on/off.

Normally, HDC system has four states:

- 1 Standby: Press the HDC switch (ON) to set the system into standby mode, the green HDC warning lamp in the instrument pack will illuminate.
- 2 Operation whilst in Standby mode, when the vehicle is driven down an acute gradient, if the vehicle speed is higher than 5mph (8km/h) but less than 22mph (35km/h), the HDC system will automatically enter the operating state. In this case, the HDC warning lamp in the instrument pack flashes green, this may be accompanied by the working noise of the brake system. The HDC system will attempt to maintain the vehicle at the current speed.

After the driver presses the accelerator or brake pedal, and the vehicle speed is still within the range of 5 ~ 22mph (8 ~ 35km/h), the HDC system will control the target speed as the latest current speed.

- 3 Temporary Deactivation: Press the accelerator or brake pedal beyond a preset limit whilst in operating mode and the HDC system will temporarily suspend operation.

- 4 Off: Press the HDC switch (OFF) to switch the system OFF, the green HDC warning lamp in the instrument pack will extinguish.

Note: *HDC system can work in both forward and backward directions.*

Note: *During HDC system operation the braking system will automatically pressurise and maintain pressure. Operation of the brake pedal during this phase may result in a 'kickback' sensation through the pedal. This is normal for HDC operation.*

HDC ON/Malfunction Indicator Lamp

Refer to "Warning Lights and Indicators" in "Instruments and Controls" chapter.

STARTING & DRIVING

Anti-lock Brake System (ABS)



ABS cannot overcome the physical limitations of stopping the car in too short a distance, cornering at too high a speed, or the danger of aquaplaning, i.e. where a layer of water prevents adequate contact between the tyres and the road surface.

The purpose of the anti-lock braking system (ABS) is to prevent the wheels from locking while braking, thereby enabling the driver to retain steering control of the car.

The fact that a car is fitted with ABS must never tempt the driver into taking risks that could affect his/her safety or that of other road users. In all cases, it remains the driver's responsibility to drive within normal safety margins, having due consideration for prevailing weather and traffic conditions.

Under normal braking conditions, ABS will not be activated. However, once the braking force exceeds the available adhesion between the tires and the road surface, thereby causing the wheels to lock, ABS will automatically

come into operation. This will be recognisable by a rapid pulsation felt through the brake pedal.

Braking in an Emergency



DO NOT pump the brake pedal at any time; this will interrupt the operation of ABS and may increase the braking distance.

If an emergency situation occurs, the driver should apply full braking effort even when the road surface is slippery. ABS will ensure that the wheels do not lock and that the car is brought to a halt in the shortest possible distance for the prevailing road surface conditions.

Note: On soft surfaces such as powdery snow, sand or gravel, the braking distance produced by the ABS system may be greater than that for a non-ABS system, even improved steering would be experienced. This is because the natural action of locked wheels on soft surfaces is to build up a wedge of material in front of (or to the side of, if steering) the tyre contact patch. This effect assists the car to stop when braking or to change direction when steering.

No matter how hard you brake, you are still able to continue steering the vehicle as normal.

IMPORTANT

ABS can not reliably make up for the driver's mis-operation or lack of experience.

ABS Malfunction Indicator Lamp

Refer to "Warning Lights and Indicators" in "Instruments and Controls" section.

Note: The normal (non-ABS) braking system remains fully operational and is not affected by partial or full loss of ABS. However, the braking distances may increase.

STARTING & DRIVING

Auto Hold



When auto hold stops the vehicle, for reasons such as shutting down the power system, releasing the seat belt or pressing the auto hold switch, the electronic parking brake is applied. It cannot be guaranteed that the vehicle will be stabilised in all cases. For example, the rear wheels are on a slippery road surface, or the vehicle incline is too great (larger than 20%). Please make sure that the vehicle is safely stabilised prior to exiting.



DO NOT take any extra risks when driving due to the fact the vehicle is fitted with additional convenience functions. The driver should pay full attention and observe the surroundings even if the vehicle is equipped with auto hold system.



The auto hold function cannot guarantee the stability of the vehicle when starting off or braking on hills especially on slippery or icy surfaces.



DO NOT leave the vehicle when the power system is operating and the auto hold is active.



Auto hold cannot guarantee the electronic parking brake operation in all cases where the power system is shut down. Please ensure the electronic parking brake is applied and the vehicle is stabilised prior to exiting the vehicle.



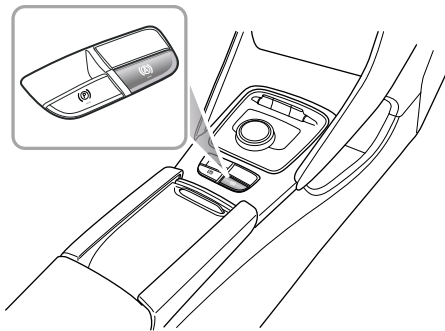
The auto hold function should be switched off during the use of automatic car washes, the electronic parking brake may suddenly apply and cause vehicle damage.

If the vehicle is required to stop frequently for a length of time (such as traffic lights, traffic queues or stop/start), and the power system is running, the auto hold system assists in stabilising the vehicle, enabling you to remove your foot

from the brake pedal when the vehicle is stationary and the Auto Hold active.

Auto hold has 3 main states:

- 1 Off: Function in Off state.
- 2 Standby: Function in Standby state. The function is active but the vehicle has not stopped. Once the vehicle has stopped, and all other conditions are met, the system will automatically select Park.
- 3 Parking: Function in Parked state. In this state the green (P) indicator on the instrument pack illuminates.



With the driver's seat belt fastened, the door closed and the power system operating, press the auto hold switch to switch the auto hold function from Off to Standby state.

With the brake pedal firmly pressed and the vehicle completely stopped, the auto hold function will switch from the Standby state to the Parking state.

STARTING & DRIVING

When the auto hold is in the Parking state, engaging D or R and pressing the accelerator will automatically release the auto hold function.

In some circumstances such as releasing the seat belt, switching off the power system or remaining static for a length of time it will result in the vehicle exiting the auto hold Parking state. At this time the electronic parking brake will remain applied and will require the driver to release it using the switch.

Note: *With the brake pedal pressed, operating the switch to turn the auto hold off, the system will NOT apply the parking brake.*

Note: *It is recommended to turn off the auto hold function when reversing into the garage.*

Active Rollover Protection (ARP)



The ARP system cannot overcome the laws of physics. It is a driver aid to assist the stability of the vehicle and under extreme conditions. It is not a guarantee that the car will not roll over.

In cases where the vehicle has a high centre of mass, rapid or excessive dual direction lane changing may create a roll condition. ARP may use the braking system to apply certain brakes to try and correct the condition and assist in preventing rollover.

Note: *During ARP application the steering characteristics of the vehicle may be noticeably different from normal.*

Emergency Braking Hazard Warning Lights Control (HAZ)

If the vehicle is travelling in excess of 31mph (50km/h) and the driver makes an emergency braking manoeuvre, the system will automatically flash the brake lamps to remind the following drivers, thereby effectively reducing the risk of rear-end collision accidents.

Note: *If the hazard warning lights are being operated manually, this suspends the HAZ function.*

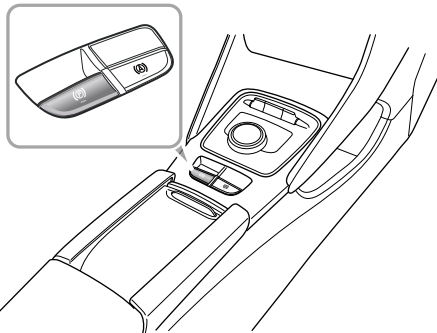
When the emergency braking manoeuvre is exited (no severe deceleration detected) then the function will be switched off after a few seconds.

Note: As the car speed drops to below 6mph (10km/h) and the system no longer flashes the brake lamps, the hazard warning lamps will illuminate automatically. Short press the hazard warning lamp switch or increase your speed to above 12mph (20km/h) for 5s to switch off the hazard warning lamps.

Electronic Parking Brake (EPB)



In the event of EPB malfunction where EPB release is not possible, please consult an MG Authorised Repairer in order to carry out an emergency manual release of the parking brake.



STARTING & DRIVING

Enabling the EPB

When the vehicle is parked safely, selecting P on the shift control knob will automatically apply the EPB.

If automatic application of the EPB fails, it is necessary to manually apply the parking brake using the EPB switch.

- Pull the EPB switch upward until the indicator in the EPB switch illuminates.
- Simultaneously, the EPB indicator (P) will illuminate in the instrument pack. When the indicator in the EPB switch and the EPB indicator are illuminated, it indicates that the EPB is applied.
- If the EPB malfunction indicator lamp (P) in the instrument pack remains on, it indicates that a fault has been detected. Please contact an MG Authorised Repairer immediately.

Note: *An audible motor noise may be heard when applying or releasing the EPB.*

IMPORTANT

- DO NOT leave the vehicle before the indicator in EPB switch illuminates and the gear indicator displays P, the vehicle may not be safely parked due to EPB failure and slip.
- In the event of a flat battery or power failure it is not possible to apply or release the EPB. If using 'jump leads' to temporarily supply power please see 'Emergency Starting' in the Emergency Information.

Releasing the EPB

If the vehicle is stably parked on a flat road or slight incline/decline, the vehicle power system is READY, press the brake pedal to allow the shift control system to switch from P to N, D or R, the EPB will automatically released.

If on a steep slope, switching from the P position will not automatically release the EPB. In this case, manually release the EPB as follows or apply the start assist function of the EPB to release the EPB.

- Ensure the vehicle power system is set to the ON/READY position, press the brake pedal and the EPB switch.
- If the indicator in the EPB switch and the indicator in the instrument pack (P) are extinguished, the EPB is released.

Start Assist

The EPB can predict the driver's intention and automatically release the EPB.

If the driver's seat belt is fastened, the power system is READY, D or R gear is selected and the accelerator pedal is pressed in order to pull away, the EPB will automatically release.

Emergency Braking Function



Inappropriate use of the EPB can lead to accidents and injuries. Do not apply the EPB for vehicle braking, unless in emergency.



During the deceleration of the vehicle with EPB, DO NOT switch the vehicle power system OFF, this could result in serious injury.

In the event of normal brake failure, emergency braking using the EPB can be initiated by pulling and holding the EPB switch upward.

- If the SCS can respond actively to the request from the EPB, the SCS will activate and apply all 4 brakes. If the SCS is unable to respond to the request from the EPB, then the EPB will only activate the rear brakes.
- During emergency braking using EPB, a continual audible warning will sound. To cancel the emergency braking process, release the EPB switch.

STARTING & DRIVING

Stability Control System (SCS) and Traction Control System (TCS)

Stability Control System (SCS)

SCS is designed to assist the driver in control of driving direction. The SCS is automatically activated after the power system is started.

When SCS detects that the vehicle is not moving in the intended direction, it will intervene by applying brake force to selected wheels or through the power management system to prevent sliding and assist in bringing the car back to the right direction.

Stability Control System (SCS) refers to Electronic Stability Control System (ESC) in this handbook.

Traction Control System (TCS)

TCS contributes to maintain the control to the vehicle by improving the vehicle's traction trafficability and driving stability. TCS monitors the driving speed of each wheel individually. If spin is detected on one wheel, the system automatically brakes that wheel, transferring torque to the

opposite, non-spinning wheel. If both wheels are spinning, the system will reduce the output torque of the power system in order to regulate wheel rotation until traction is regained.

Switching On/Off

SCS and TCS are automatically switched to standby when the vehicle power system placed in ON/READY position. And they can be switched off when the power system is ready.

To switch the system off, please refer to "Information Centre" in "Instruments and Controls" section.

Note: *Disabling SCS and TCS will not affect the operation of ABS. Always disable SCS/TCS when driving with snow chains fitted.*

Stability Control/Traction Control Warning Lamps

Refer to "Warning Lights and Indicators" in "Instruments and Controls" section.

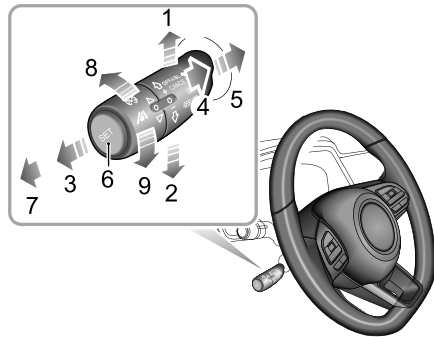
Adaptive Cruise Control System



The Adaptive Cruise Control (ACC) system is designed as a comfort system enabling the driver to maintain a constant speed or distance from the car in front. It provides assistance to the driver, it **DOES NOT** replace any of the driver's responsibilities. When using the ACC it is important that the driver maintains concentration at ALL times.



During the operation of the Adaptive Cruise Control System (ACC) the autonomous braking of the vehicle is limited. Therefore it is **ESSENTIAL** that the driver maintains concentration, observes the local laws, road and traffic conditions, and if at any time feels there is a danger to themselves or surroundings they should apply the brakes and disconnect the ACC.



- 1 Speed Limit Increase/Accelerate
- 2 Speed Limit Decrease/Decelerate
- 3 Cancel
- 4 On/Standby
- 5 Resume
- 6 Set
- 7 Off

STARTING & DRIVING

8 Increase Distance

9 Decrease Distance

The ACC system can automatically switch between constant speed cruise and car following cruise control depending on whether it can detect a vehicle directly ahead. Constant speed cruise control is permitted between 20 - 90 mph (30 - 150km/h) or car following cruise control by setting the distance between the vehicle and the vehicles directly ahead.

When activated if the ACC system detects a car in the same lane directly ahead it may accelerate or gently apply the brakes of the car to maintain the set following distance.



Note: The Adaptive Cruise Control System (ACC) is designed for motorway cruising or any other journey where a constant speed or distance between your car and the vehicle in front can be maintained for a lengthy period.

Note: When the ACC is active if the vehicle needs to be slowed down the brake pedal can automatically 'sink'

- please DO NOT place your foot behind or under the brake pedal to try and 'lift' the pedal - your foot may become trapped or personal injury may occur.

Adaptive Cruise Control System Activation

The Adaptive Cruise Control system is operated with a lever switch located, at the left side of the steering wheel underneath the indicator/lighting stalk switch.

- 1 With the vehicle power system in the ON position, if the adaptive cruise lever switch is in the "OFF" position (7), then the adaptive cruise control system is in the OFF state.
- 2 Move the adaptive cruise lever switch to the "ON" position (4), the adaptive cruise system status indicator on the instrument pack  illuminates yellow, and the adaptive cruise control system is in the Standby state.
- 3 The system will automatically detect the speed and position of the vehicle ahead, if your vehicle speed is above 3 mph (5km/h), after pressing the 'Set' button (6) at the end of the adaptive cruise stalk lever, the indicator on the instrument pack  will turn green, and the adaptive cruise control system enters the

Activated state, its target speed is the actual speed at activation; if your vehicle speed is less than 20mph (30km/h), then the target speed of the system is set at 20mph (30km/h). If the speed of the vehicle ahead is greater than the cruise target speed of your vehicle, your vehicle will maintain the target speed to conduct constant speed cruise; if the speed of the vehicle ahead is lower than the cruise target speed of your vehicle, it will enter the car-following cruise, an image of your car and the car ahead separated by a grid is displayed in the instrument pack message centre, in this mode the actual speed may be less than the set target speed. Whilst in the car following cruise mode, you can follow the vehicle ahead to a stop, if the amount of time that the vehicle is in a stopped condition is less than approximately 3 seconds your vehicle may automatically pull away to follow the vehicle ahead, if the stopped time exceeds 3 seconds your car will not automatically pull away, you will receive a prompt in the instrument pack message centre requesting you to re-activate the adaptive cruise control using the method displayed.



After following the vehicle ahead to a stop, the driver must observe any local traffic laws and ensure that there are no obstacles or other traffic participants, such as pedestrians, directly in front of the vehicle before allowing it to pull away and begin to follow the vehicle ahead again.



Whilst using the car following cruise function it is strongly recommended that the driver does not touch the accelerator pedal. Any activation of the accelerator will not allow the system to automatically apply the brakes should this be necessary.



DO NOT exit the vehicle when the ACC car following cruise function has stopped, or is keeping the car stationary. Before exiting the car the shift control knob should be in the Park position, the parking brake applied and the power switch in the OFF position.

STARTING & DRIVING



If the ACC system has already stopped the vehicle, and the ACC function is disabled, turned off or cancelled, the vehicle will no longer stay still, it may move forward or slip backward. When the vehicle is stopped and kept still by the ACC system, be sure to be ready to apply the brakes manually.

- 4 If the vehicle speed exceeds the maximum function speed of the ACC 90mph (150km/h) the system will automatically switch to the Standby state, this means that all acceleration and braking manoeuvres must be carried out by the driver according to local traffic laws and traffic and road conditions.
- 5 If the adaptive cruise control system is already in use, the driver should pay special attention in the following conditions, select the appropriate speed, and be ready to take action or apply brakes.

IMPORTANT

When an image of your car and rear end of the vehicle ahead separated by a grid, is displayed in the instrument pack message centre the ACC system will make any necessary response to the vehicle ahead, if the image is not displayed the ACC system will NOT make any response, the responsibility for any manoeuvres rest with the driver.

- Encounters a vehicle or object which is stationary or traversing the lanes.
- Approaching the vehicle ahead too fast, the adaptive cruise control system cannot apply sufficient braking force.
- A vehicle suddenly cuts into the lane in front.
- The vehicle ahead makes an emergency braking manoeuvre.
- An oncoming vehicle crosses the centre of the road and is driving towards you in the same lane.
- Encounters a vehicle driving at a low speed.
- Encounters a vehicle with loaded items protruding from the body side, rear or roof of the vehicle.

- Encounters a vehicle with a higher chassis (e.g., a truck).
- Encounters pedestrians, non-motor vehicles or animals.
- The vehicle is driving on a steep slope, an uneven road or a complex traffic road section.
- The vehicle makes a sharp turn.
- Water or snow splashed by surrounding vehicles hinders camera or radar detection.
- Excessive weight being carried in the boot space or cargo area causing the front of the car to point upwards.
- A fault exists in the system.

Note: *Manual deactivation of either the Traction Control System (TCS) or Stability Control System (SCS) will inhibit the operation of the Adaptive Cruise Control (ACC).*

Adaptive Cruise Target Speed Adjustment

In order to set the target speed, the adaptive cruise control system must be in an active state, the green adaptive cruise control indicator in the instrument pack will illuminate.

Use the accelerator pedal to reach the desired speed, short press the 'Set' button (6) on the end of the adaptive cruise switch lever, release the control button and accelerator pedal. The vehicle will cruise at the desired speed.

Move the lever switch upward (1) and hold, the target speed will increase until the desired set speed appears in the instrument pack, then release the switch. When it is confirmed that there is no vehicle in front of your vehicle or the vehicle ahead exceeds the preselected following distance, the speed will be increased to the set speed.

Move the lever switch downward (2) and hold, the target speed will decrease until the desired set speed appears in the instrument pack, then release the switch. When it is determined that the vehicle ahead driving slowly is within the pre-selected following distance, the vehicle speed will decrease and keep the selected following distance.

Note: *Briefly operate the adaptive cruise lever switch upward (1) or downward (2) once, the target speed will change 5mph / 5km/h, press and hold the lever upward or downward and the speed will increase or decrease in 1mph / 1km/h increments, release the lever when the desired speed reading is displayed.*

STARTING & DRIVING

Note: *If the vehicle ahead continually makes hard acceleration or deceleration manoeuvres the adaptive cruise control may not be able accurately maintain the required distance between vehicles. It is important that the driver always concentrates and pay attention to the current vehicle position and situation in case they need to make a braking or avoidance manoeuvre.*

Adaptive Cruise Target Following Distance Adjustment

When the adaptive cruise control system is activated, rotate the switch on the end of the lever upward (8) or downward (9) to adjust the following distance, you are able to toggle between 3 distance settings, the current following distance setting will be stored by the system until it is changed, and displayed in the message centre in the instrument pack.

Always select an appropriate following distance that is relative to the current speed of your vehicle and the vehicle you are following, the greater the speed, the further the distance. ALWAYS consider current traffic, road and weather conditions when making your selection.

Adaptive Cruise Pause

When the adaptive cruise control system is activated, move the lever switch to the 'Cancel' position (3), and the system will exit to the Standby state.

Automatic Deactivation of Adaptive Cruise

In the following situations, the ACC may be automatically deactivated, this transfers full control of the vehicle to the driver.

- Move the lever switch to 'Off' position (7).
- Press the brake pedal whilst the vehicle is in motion.
- Move the shift knob away from the D position.
- The driver unfastens his/her seat belt.
- Press and hold the accelerator pedal beyond a preset time period.
- Open any door, bonnet or tailgate.
- Pull the EPB switch up to apply the parking brake.
- Follow the vehicle ahead to a stop and the stop time exceeds 3 mins.

- The sensor or radar view is blocked, the ambient light condition triggers the preset safe exit mechanism of the light sensor, or the system fails.

Note: *If following the vehicle ahead to a stop with the adaptive cruise control system enabled, if any of the following conditions occur whilst the vehicle is in a stopped state, the EPB will automatically be applied:*

- *The driver unfastens his/her seat belt.*
- *The driver door is opened.*
- *The stop time exceeds 3 mins.*

Adaptive Cruise Override

If the driver has cause to use the accelerator pedal when the ACC is activated, the vehicle will remain in Cruise state while the vehicle speed increases. When the accelerator pedal is released, the ACC will resume to operate at previously set cruise speed.

If the driver accelerates to a higher speed and then releases the accelerator the ACC will decrease to the target cruise speed in a more gradual manner. If it is necessary to decrease to the target cruise speed rapidly, the driver may manually move the lever switch 'Deceleration' (2).

Note: *If the accelerator pedal is pressed and held above the preset time period the ACC may exit to the Standby state.*

Adaptive Cruise Resume

If the ACC system has reverted to, or been switched to, the Standby state it can be reactivated by moving the lever switch to 'Resume' position (5). The target cruise speed will automatically be set to the target speed before exiting the adaptive cruise control system.

When driving at a high speed, if the driver resumes to a lower target cruise speed, the ACC will decrease to the target cruise speed in a more gradual manner. If it is necessary to decrease to the target cruise speed rapidly, the driver may manually move the lever switch 'Deceleration' (2).

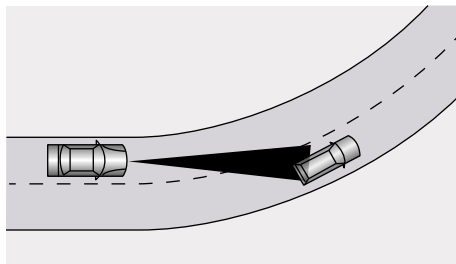
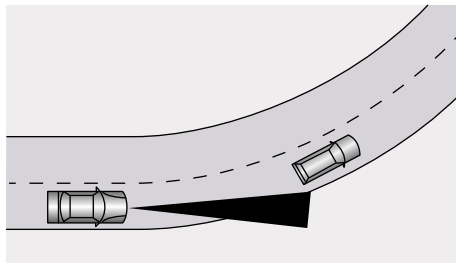
STARTING & DRIVING

Clear the Speed Memory

If the lever switch is moved to the 'OFF' position (7) or the vehicle power system is switched to the OFF position, the system may clear the adaptive cruise control set speed in the memory.

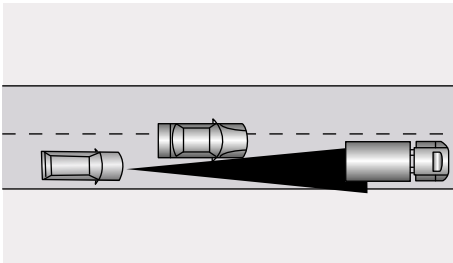
Special Driving Environments

The Adaptive Cruise Control (ACC) system has its limitations. Listed below are some conditions that may be beyond the safe operating limits. The driver should maintain control of the vehicle and must remain alert at all times. They should pay special attention to the traffic conditions and surroundings, select the appropriate speed and be ready to take any required actions.



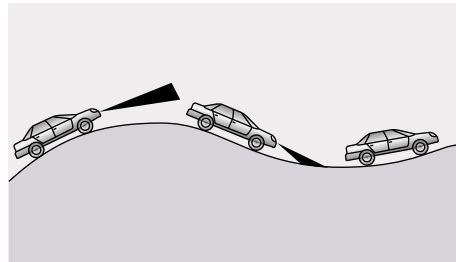
When turning at an intersection or following a vehicle into, or out of a curve, the ACC system may be unable to detect the vehicle ahead, even if it is in the same lane, it is possible the system may detect a vehicle in another lane.

Note: *Do not use the adaptive cruise control system on entrance/exit ramps or sharp bends.*



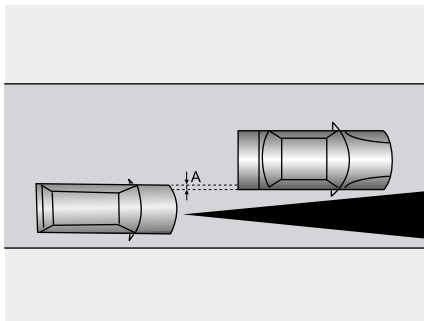
If the vehicle ahead changes lanes, but does not drive into the lane completely, the ACC system may be unable to detect the vehicle.

If the vehicle ahead changes lanes, but does not exit the lane completely, the adaptive cruise control system may determine that the vehicle ahead has exited the lane and accelerate to any preset speed.



When driving on uneven roads that may include steep climbs or dips please DO NOT use the ACC system.

STARTING & DRIVING



When driving behind a vehicle that is only partially overlapping your vehicle, 'A' in the graphic, the ACC system may be unable to detect anything.

Note: Please DO NOT use the adaptive cruise control system in the following situations:

- *The ambient light level is insufficiently low, extremely bright, or the forward lighting of the vehicle is poor or compromised.*

- *The front view camera in the windscreen and/or radar sensor in the front bumper have a restricted field of vision, or severe weather such as heavy fog, heavy rain, heavy snow, ice, etc are affecting the sensor's field of view.*
- *In conditions where the demist function of the windscreen is impaired.*
- *When driving the vehicle on a low-friction road (rapid changes in tyre traction may result in excessive wheel slip).*
- *When driving on a strong reflective road surface as a result of rain, snow, or ice.*
- *When the radar may be affected by electromagnetic interference (for example, metal objects such as rails and metal plates for road construction).*
- *After the position of radar has changed (for example, collision, vibration).*
- *Radar signals could be incorrectly reflected by local conditions (e.g., in multi-storey car parks, tunnels, water jets from sprinklers, etc.) these may degrade the function of the radar sensor.*

Parking Aid System

Ultrasonic Sensor Parking Aid



The purpose of the parking aid is to assist the driver in reversing! The sensors may not be able to detect obstacles of certain type, e.g. narrow posts or small objects no more than a few inches wide, small objects close to the ground, objects above the tailgate and some objects with non-reflective surfaces.



Keep the sensors free from dirt, ice and snow. If deposits build up on the surface of the sensors, their performance may be impaired. When washing the car, avoid aiming high pressure water jets directly at the sensors from close range.

Rear Parking Aid

The ultrasonic sensors in the rear bumper monitor the area behind the vehicle to search for obstacles. If any obstacle is detected, the system will calculate its distance from the rear of the vehicle and communicates the message to the driver by sounding warning chimes.

Parking Aid in Operation

When the start/stop switch is in the ON/READY position, the rear parking aid is enabled automatically when reverse is selected, it is switched off as soon as reverse is disengaged. A short beep is given by the parking aid within 1 second after selecting reverse to indicate that the system is operating normally.

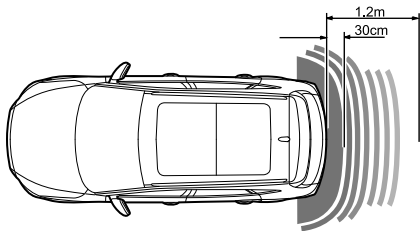
The entertainment system screen will display a silhouette image of the car showing the object distance values for the sensor.

Note: *If a longer, higher pitched sound is emitted for 3 seconds when reverse is selected this indicates a fault in the system. In this case seek assistance from your MG Authorised Repairer.*

STARTING & DRIVING

With the parking aid enabled, when obstacles are detected, the system will give sounds in different frequencies (there might be blind areas).

- Once the obstruction is within 30cm range of the rear bumper, the beeps will merge into a continuous warning.

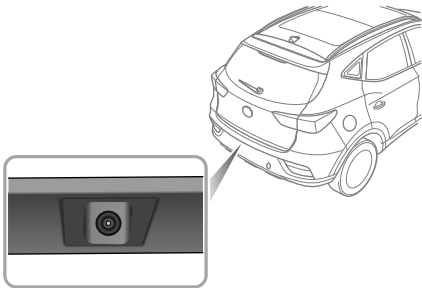


- If there is an obstacle within 1.2m range from the rear sensors, the system starts to emit a beeping sound. As the vehicle moves closer to the obstacle, the beeps are transmitted more rapidly.

Parking Camera System *

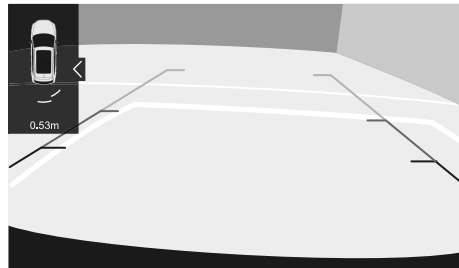


The purpose of the parking camera system is to assist the driver in reversing! The camera has limited field of view and cannot detect obstacles outside the field of view.



The parking camera is fitted between left and right license plate lamps. When the reverse is selected, the camera will display an image of what is directly behind the car in the entertainment display.

Models fitted with the parking camera system display an overlay grid on the camera image in the entertainment display to assist parking, this is supported by the silhouette image showing object distance from each sensor.



STARTING & DRIVING

Rear Driver Assistance System *

System Overview



The rear driver assistance sensors may misidentify some surroundings, such as roadside buildings or guardrails and provide a false alarm.



The effective recognition capabilities of the rear sensors can be limited by objects such as roadside buildings, guardrails, changes in pitch angle of the car due to heavy loading, road conditions such as bends or bumps or weather conditions such as snow and ice etc. Any of the above may trigger a false alarm.



The system has limitations and may not be able to warn of vehicles approaching at high speeds.



The rear driver assistance function is only an aide, it is NOT a substitute for the attention of the driver. The driver must always remain in control, observe the surroundings and drive safely.



The rear driver assist system may not provide adequate warning of very fast approaching vehicles or operate correctly on tight curves of 500m radius or less.



The rear driver assist system will not operate correctly whilst towing a trailer or caravan.



The correct operation of the rear sensors will be compromised if they are misaligned due to accident damage. This may cause the system to automatically shutdown.



To ensure that the radar sensors work correctly, the rear bumper should be kept free of snow and ice and must not be covered.

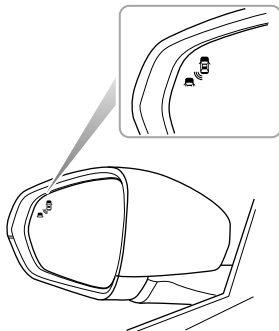


Use of non recommended materials or paint on rear bumper repairs may have a detrimental effect on the operation of the rear sensors. Please only use recommended materials.

The rear driver assistance system includes blind spot detection (BSD), lane change assist (LCA), and rear cross traffic alert (RCTA) functions.

The rear driver assistance modules are mounted at the rear of the vehicle on each side, they can assist in detecting vehicles behind or to the side of your vehicle.

The warning lamps to support this system are located within the LH and RH door mirror glasses, they will illuminate or flash to warn of an approaching object or car to assist you in manoeuvring the car safely.



Note: The radar requires calibration on new vehicles or for vehicles of where a rear detecting radar sensor has been replaced. The rear detection radar sensors possess an automatic calibration function to compensate for installation error within a certain range. When the vehicle is running, the radar will automatically enter the calibration state. During the calibration process, the system will provide limited functions, and the alarm may be inaccurate. Upon

STARTING & DRIVING

completion of the calibration, the system will resume all functions.

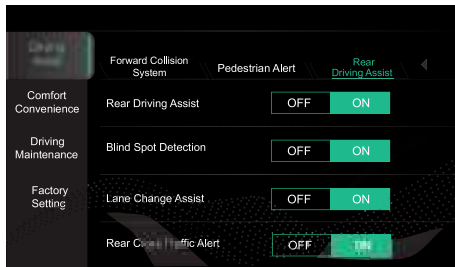
Switching the System Functions On/Off

The rear driver assist system function switches can be accessed via the infotainment screen.

Select: 'Vehicle Settings', 'Driving Assist' and 'Rear Driving Assist' (you may have to scroll left or right to access this option). Select ON/OFF to activate/deactivate the system. A warning message to alert you of your choice will be displayed in the message centre in the instrument pack.

If the 'Rear Driving Assist' is ON, the sub system menu will become 'live' and you can select the ON/OFF option for each of the sub systems. If the 'Rear Driving Assist' is switched OFF, none of the sub systems will be selectable and the entire system will be in an OFF state.

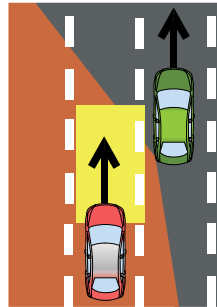
When the vehicle is restarted, the system will keep the previously stored switch settings.



System Functions

Blind Spot Detection (BSD)

When the vehicle is driving forward, the system will monitor the motor vehicles located in the blind zones of the left and right exterior mirrors. When the conditions for activating the blind spot detection function are met, the warning lamps in the corresponding mirror will illuminate. Subsequent operation of the relevant indicator will cause the warning lamp in the mirror to flash to remind the driver of an approaching vehicle.



The conditions for activating the blind spot detection function include:

- 1 Rear driver assistance system is in the ON state and no faults are present in the system.
- 2 Blind spot detection (BSD) function is enabled.
- 3 The vehicle speed is above 20mph (30km/h).
- 4 There are motor vehicles in the blind zone of the vehicle. The system monitors both the left and right

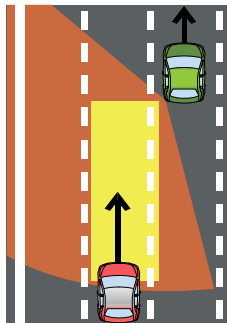
STARTING & DRIVING

of the vehicle, the monitored areas are 2m ahead , 7m behind the rear of the vehicle, and 4.7m from the side of the vehicle.

Note: *The warning lamps will not illuminate whilst you are overtaking another vehicle and your speed is greater than that of the vehicle you are passing, even though it is in the blind zone.*

Lane Change Assist (LCA)

When the vehicle is driving forward, the system will monitor the motor vehicles approaching rapidly in the adjacent lanes. When the indicators are activated, and the conditions for activating the lane change assist function are met, the system will flash the warning lamp within the respective mirror to warn the driver of an approaching vehicle. This aims to help avoid collisions when changing lanes.

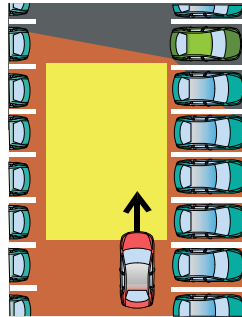


The conditions for activating the lane change assist function include:

- 1 Rear driver assistance system is in the ON state and no faults are present in the system.
- 2 Lane change assist (LCA) function is enabled.
- 3 The vehicle speed is above 20mph (30km/h).
- 4 The speed of the approaching vehicle is higher than the speed of your vehicle.
- 5 The approaching vehicle enters the detection area of the LCA, the monitored areas are 7 - 70m behind your vehicle and 4.7 m to the side of your vehicle.
- 6 The approaching vehicle is likely to have a collision with your vehicle within 3.5 seconds.

Rear Cross Traffic Alert (RCTA)

When the vehicle is reversing, the system will monitor vehicles approaching from the left and right rear. When the conditions for activating RCTA function are met, the warning lamps in the mirrors on the corresponding side will illuminate, simultaneously a warning triangle icon for the corresponding side will be displayed in the infotainment screen to alert the driver to the situation.



STARTING & DRIVING

The conditions for activating the rear cross traffic alert function include:

- 1 Rear driver assistance system is in the ON state and no faults are present in the system.
- 2 Rear cross traffic alert (RCTA) function is enabled.
- 3 The vehicle is in Reverse gear.
- 4 The vehicle speed is less than 5mph (9km/h).
- 5 The speed of the vehicle being monitored is above 5mph (9km/h).
- 6 The motor vehicle drives across the system detection areas. The areas monitored to the left and right of the vehicle are 5m behind the rear of the vehicle, and 25m from the side.
- 7 The approaching vehicle is likely to have a collision with your vehicle within 2.5 seconds.

Note: *The detection area, collision time threshold value and vehicle speed provided in the system function description are just for your reference.*

Tyre Pressure Monitoring System (TPMS)



TPMS cannot replace routine maintenance and check of the tyre condition or pressure.



If radio transmission devices such as mobile telephones or wireless headsets are used in close proximity to the vehicle it may result in interference with the TPMS and could register as a fault.

Note: TPMS only gives the driver a warning when the tyre pressure is low, it will not inflate the tyre.

TPMS uses pressure sensors built into tyre valves to continuously monitor pressure and transmits signal to ECU inside the vehicle using RF signals. If it deduces that the pressure of that tyre has fallen below the predefined limit of the system, the warning light on the instrument pack will illuminate (always yellow). For more information, please refer to 'Instrument Pack' in 'Instruments and Controls' section. Check your tyres at the earliest opportunity and

reinflate to the correct pressure. Please refer to 'Tyre Pressure (Cold)' in 'Technical Data' section.

System Malfunction



This system is self-monitoring, if a malfunction is detected, the TPMS warning lamp (yellow) on the instrument pack will flash for 90 seconds first and then remain illuminated..

Note: When a puncture is detected, the system will require some time to analyse information prior to illuminating the warning lamp.

Under certain conditions the warning light may illuminate when a fault is not present, these conditions include:

- A non recommended tyre fitted (including spare tyre).
- Rough terrain driving for excessive periods.
- Bending or mountain type terrain driving for excessive periods.
- TPMS will not respond immediately if a tyre 'blows out'.

STARTING & DRIVING

TPMS Self-learning

The TPMS system is a 'self learning' system, after resetting tyre pressures it will be necessary to allow the system to go through a self learning process. This is done by driving the car, during this process the system is suspended and the data displayed may not be correct. If sensors or receiver module are replaced the system requires programming, consult an MG Authorised Repairer. If the wheels are swapped or rotated the system requires reprogramming to learn the new transmitter positions, consult an MG Authorised Repairer.

Driving Assist System

The driving assist system includes Speed Assist System (SAS), Lane Departure Warning System (LDW), Lane Departure Prevention System (LDP), Lane Keeping Assist System (LKA), MG Pilot System, Forward Collision Warning System (FCW), Automatic Emergency Braking System (AEB) and Automatic Emergency Braking System for Pedestrians (AEBP). Under certain conditions, the driving assist system can detect the road and environmental information ahead of the vehicle by utilising a front view camera and a front detection radar. This information is used to relay warning messages or provide assistance to help the driver control the vehicle more safely and reliably. The front view camera is located at the upper middle of the windscreen (in the interior rearview mirror base cover) , the front detection radar is located at the lower middle of the front bumper.

Description of Front View Camera

Calibration of front view camera

The front view camera will require re-calibration after any of the following operations:

- Removal and refitting of the front view camera.
- Replacement of the windscreen.

Note: The calibration of front view camera requires professional knowledge and tools. If calibration is required, please seek an MG Authorised Repairer.

Note: After completing the calibration it is not possible to immediately select any driving assist options. The vehicle power system must be switched to the OFF position and then switched to ON/READY.

Obstruction of the front view camera

On occasion the front view camera view may become obstructed by foreign objects or stains on the glass. In these cases a prompt message will appear in the information centre. Please clean or wipe immediately.

STARTING & DRIVING

In the following situations, the detection performance of front view camera will be affected:

- Driving in poor weather conditions where visibility is reduced due to thick fog, heavy rain or snow etc.
- The front view camera is affected by light, for example low light levels at night, poor auxiliary lighting, excessive backlighting in the view, light from oncoming vehicles, abrupt change of brightness such as quick bright/dark jump (tunnel entrance/exit), driving on surfaces with strong reflective properties (road surface covered with water or snow), or driving in places with insufficient light, such as tunnels, surrounded by tall buildings, underground parking lots, etc.
- The front view camera is partially or fully blocked by obstacles, e.g. dust, foreign objects on the windscreen.
- The windscreen in view is damaged.
- Not calibrated after removing/refitting the front view camera.
- Not calibrated after removing/refitting the windscreen.
- The front view camera is not secured in place.

- The outer surface of the windscreen is not clean (including wiper sweep).
- The windscreen is not cleaned regularly.
- The demist/defrost action on the windscreen inefficient in wet conditions.

Description of Front Detection Radar

Calibration of front detection radar

Front detection radar re-calibration is required after any of the following:

- Front detection radar mis-alignment failure, for example the position of the front detection radar has changed.
- Remove/refit the front detection radar or radar bracket.
- Remove/refit the front anti-collision beam.
- The four-wheel alignment parameters or the driving axis have changed.

Note: *If the front detection radar is subject to strong vibration or slight impact, the mounting position of the front detection radar needs to be checked and re-calibrated as necessary.*

Note: *The calibration of front detection radar requires professional knowledge and tools. If calibration is required, please seek an MG Authorised Repairer.*

Front radar performance will be effected in the following situations:

- When the front detection radar is covered by mud, snow, excessive water (rain) or water spray from the road.
- When the radar or surrounding areas are covered by objects such as self-adhesive labels or auxiliary lamps.
- Some targets may affect and weaken the detection capability of the front detection radar, such as road barriers, fences and tunnel entrances.
- When the front detection radar is subject to strong vibration or slight impact.
- When the front detection radar is affected by the environment, such as strong electromagnetic field interference or due to the target itself.

Note: *Any snow that gathers on the front radar may be removed using a soft brush, and any ice should be removed using a propriety deicing spray.*

Note: *Avoid any collision or contact with the front radar module, this may cause misalignment. Any damage, however slight, may cause system performance issues.*

STARTING & DRIVING

Speed Assist System (SAS)



The intelligent speed limit is an auxiliary function, it may display an incorrect speed limit value or no speed limit value in the instrument pack due to various factors. As a result, the vehicle speed is not restricted within the correct range. The driver still needs to observe the speed limit of the road traffic, and speeding is strictly prohibited.



*The front view camera cannot recognise speed limit signs painted on the road surface. The driver **MUST** observe these speed limits and adjust their speed accordingly.*

The speed assist system settings are available via the infotainment system. When the adaptive cruise control system is OFF, the following three functions can be selected:



- 1 Speed Limit Information Function (SLIF): The vehicle detects a speed limit sign (as shown above) at the roadside with the front view camera. The speed limit sign identified will be displayed on the instrument pack. When the vehicle speed exceeds the speed limit by a preset amount, a visual warning in the instrument pack will alert the driver to control the speed manually.
- 2 Manual Speed Assist (MSA): The driver sets the maximum speed using the adaptive cruise control lever. The system will actively intervene and keep the vehicle speed within the permitted maximum speed limit. And an acoustic warning and a visual warning will be available during the intervention. Please refer to the section “Speed settings of manual speed assist”.
- 3 Intelligent Speed Assist (ISA): The vehicle detects a speed limit sign (as shown above) at the roadside with the front view camera. The speed limit sign identified will be displayed on the instrument pack. The system will automatically intervene and maintain speed control to keep the vehicle speed within the permitted maximum speed limit. And an acoustic

warning and a visual warning will be available during the intervention.

Speed assistance system setting

The operating interface for the speed assistance system is located in the infotainment display. Enter the vehicle setting interface to locate the driving assist option, scroll across the page to find the setting interface for the speed assistance system:

- 1 The speed limit information function defaults to be enable after the vehicle power system is set to ON/READY. Press the UP/DOWN/LEFT/RIGHT button in the RH steering wheel multifunction switch pack to select the current speed option in the trip computer. Under this interface, long pressing the OK button to turn on/off the speed limit information function. Touch the corresponding button on the infotainment display to activate/inactivate visual warning. The function defaults to the last selected state from when the vehicle power system was ON/READY.

- 2 Touch the corresponding button on the infotainment display to select the speed assist mode: manual speed assist and intelligent speed assist.

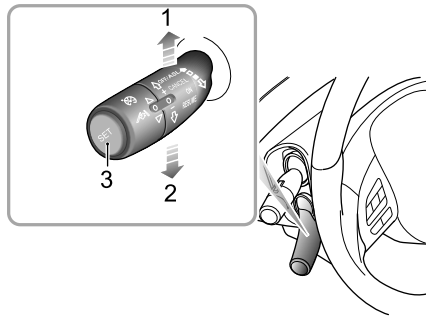
Speed settings of manual speed assist:

After the manual speed assist function is enabled, the speed limit value can be set by using the adaptive cruise control lever as follows:

- 1 With the manual speed assist function enabled, the initial speed limit value is displayed as “—” on the instrument pack. Move the adaptive cruise control lever up and down (1 and 2 in the figure below) to adjust the target speed limit value. Moving the lever up or down once will increase or decrease the target speed by 5mph (5km/h). Holding the lever up or down, the speed limit value will continuously change in units of 5mph (5km/h). Press the SET button (3 in the figure below), the manual speed assist function will be activated. If the set speed limit value is lower than the current actual speed, the speed limit value displayed on the instrument pack will be defined by the current actual speed. Otherwise, the set speed limit value will be displayed.

STARTING & DRIVING

- 2 After the manual speed assist function is activated, the driver can still set the vehicle speed by moving the adaptive cruise control lever up and down. If the current actual speed exceeds the speed limit value set by the driver, the system will immediately reduce the speed until it is below the set speed.
- 3 After the manual speed assist function is activated, the driver can press the SET button (3 in the figure below) on the adaptive cruise control lever to reinstate the system to standby state. In this case, the speed limit value can be set by using the first method mentioned above.



When the speed limit information function or intelligent speed assist function is enabled, the speed limit value indication illuminates. The “NNN” is displayed as “—”. When the vehicle passes the first speed limit sign identified, the speed limit indication displays the real-time speed limit value.

Note: When the vehicle needs to change lane, make a turn or turn around at an intersection and the driver uses an indicator in advance and slows down, the original speed limit value on the instrument pack will be reset and displayed as “—” until a new speed limit sign is detected. If the conditions are not met, the original speed limit value will be maintained and not be reset. The driver **MUST** observe the speed limits and adjust their speed accordingly.



When the intelligent speed assist function is enabled, the system indicator lamp on the instrument pack illuminates green. If the intelligent speed assist function detects a fault or failure, the indicator lamp will flash yellow then extinguish. Please try to restart this function. If this function cannot be turned on, please contact an MG Authorised Repairer.



When the speed limit information function or intelligent speed assist function is enabled, and the front view camera detects a speed limit sign with text message below, the warning lamp illuminates yellow to remind

the driver to recognise the text message by themselves. The camera cannot recognise the text messages provided below the speed limit sign, such as auxiliary lane, 100m ahead, school section, 7:00-10:00. The camera will recognise the speed limit sign with text messages as a normal speed limit sign. The driver is required to make correct judgement according to the text message.



When the manual speed assist function is enabled, the system indicator lamp on the instrument pack illuminates yellow. When the function is activated by pressing the SET button on the adaptive cruise control lever, the system indicator lamp illuminates green. If the actual speed exceeds the maximum value that can be set, the system will remain in the standby state, and the indicator lamp remains yellow. If the manual speed assist function detects a fault or failure, the indicator lamp will flash yellow then extinguish. Please try to restart this function. If this function cannot be turned on, please contact an MG Authorised Repairer.

STARTING & DRIVING

NNN
mph

When the manual speed assist function is enabled, the speed limit value indication illuminates. The “NNN” is displayed as “—”. Move the adaptive cruise control lever up and down to adjust the target speed limit value. The “NNN” will now show the adjusted speed limit value.

The driver can directly switch off, or temporarily suspend the speed assist system by carry out the following actions:

- 1 To temporarily exceed the speed limit (overtaking manoeuvre), press the accelerator pedal hard. The indicator lamp in the instrument pack illuminates green, and the speed limit value flashes.
- 2 Gently press the SET button on the end of the adaptive cruise control lever; the indicator lamp in the instrument pack will change to yellow. Press the SET button again to resume the functions.
- 3 Move the adaptive cruise control lever to “ON” position to switch the speed assistance system off. Then the indicator lamp in the instrument pack will extinguish.

Note: *When the speed assist system is activated, if the driver choose to switch the speed unit between mph and km/h, the system will be turned off automatically. If the system is controlling the vehicle speed when switch the speed unit, the system will be turned off after the driver loosen or press hard accelerator pedal.*

The speed limit information function and intelligent speed limit function may be impaired in the following situations:

- 1 The detection performance of front view camera is affected.
- 2 The vehicle is driven at a high speed.
- 3 The speed limit signs are blocked by trees along the road, ice/frost, snow, dust, etc.
- 4 The speed limit signs are incorrectly placed or damaged.
- 5 There are multiple speed limit signs above the lane or on the sides of the road. Currently, the front view

camera can only recognise the speed limit signs for the lane in which the vehicle is being driven.

- 6 Non standard speed limit signs or signs that contain additional information.
- 7 The speed limit signs set up at a fork in the road, on a bend or on-ramp/off-ramp.
- 8 During manoeuvres such as lane-changing.

IMPORTANT

- The camera may not correctly recognise speed limit signs during poor lighting conditions, bad weather, non-standardized or sheltered speed limit signs or the camera's own restrictions which include the recognition of similar signs (e.g., recognise a weight limit sign as a speed limit sign, or recognise a minimum speed sign as the maximum speed sign).
- Some drastic or rapid steering operations made by the driver may be judged as changing lane or turning around at an intersection by the system. This will result in the identified speed limit signs being cleared.

Lane Departure Warning System (LDW)



The lane departure warning system is an auxiliary system that provides assistance to the driver. It does NOT remove the responsibility of safe driving from the driver. When choosing to use the lane departure warning system, the driver MUST always pay attention to the surroundings, hold the steering wheel and be prepared to make manoeuvres at any time. Failure to maintain overall control of the vehicle may result in an accident or personal injury.



The lane departure warning system does not always recognise the lane line. Sometimes poor road surfaces, certain road structures or objects may be mistaken for lane lines. When such situations occur, the lane departure warning system must be immediately turned off.

STARTING & DRIVING

The lane departure warning system uses the front view camera to detect the lane lines ahead of the vehicle. The system will operate when the following detection conditions are met:

- The function is switched ON.
- Vehicle speed is above 37mph (60km/h).
- Lane line markings are clear.

As long as the system recognises at least one lane line the indicator lamp in the instrument pack will illuminate green. When a wheel is about to cross the lane line, or has already crossed the line, the following warnings will be provided to prompt the driver to take action and maintain the vehicle position between the lane lines:

- An audible warning sound is emitted.
- A visible warning depicting a car passing a lane line is displayed in the information message centre in the instrument pack.
- The steering wheel produces a vibration warning.

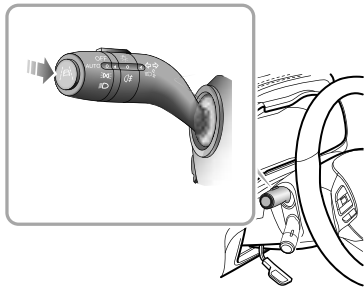
The function will automatically exit when the vehicle speed drops below 33mph (55km/h).

Lane departure warning system setting

The operating interface for the lane departure warning system is located in the infotainment display. Enter the vehicle setting interface to locate the driving assist option, scroll across the page to find the setting interface for the lane assist system:

- 1 Touch the corresponding button in the infotainment display to turn on/off the lane assist system. Select alert in the assist mode to switch on the lane departure warning system. The system defaults to the last selected state from when the vehicle power system was ON/READY.
- 2 Touch the corresponding button in the infotainment display to turn on/off the audible alert. The system defaults to the last selected state from when the vehicle power system was ON/READY.
- 3 Touch the corresponding button in the infotainment display to adjust the alert sensitivity. The system defaults to the last selected state from when the vehicle power system was ON/READY.

- 4 Touch the corresponding button in the infotainment display to turn on/off the vibration alert. The system defaults to the last selected state from when the vehicle power system was ON/READY.



Having turned the lane departure warning system on in the infotainment display, press the button at the end of the indicator stalk switch (as shown above). The lane departure warning system will enter the standby or active

state. The system defaults to the last selected state from when the vehicle power system was ON/READY.

When the lane departure warning system is in the standby or active state, you can temporarily disable the function by pressing the button at the end of the indicator stalk switch (as shown above). Pressing the button again will resume the function.



When the lane departure warning function is enabled, the indicator lamp illuminates yellow. When the function is enabled and the vehicle speed is above 37mph (60km/h), the indicator lamp remains green. When the function is disabled, the system indicator lamp extinguishes and the message centre in the instrument pack displays a prompt message. If the lane departure warning system detects a fault or failure, the indicator lamp will flash yellow for 90s, and then remain on.

STARTING & DRIVING

The lane departure warning system will be impaired in the following conditions:

- The front view camera is obstructed or it is impossible for the camera to detect the lane line ahead due to weather and environmental factors.
- The lane line is too thin, damaged, or fuzzy.
- The vehicle is driven on the bend with a small curvature radius.
- The width of the road is too narrow or too wide.
- The vehicle is driven on a road section without lane lines.
- The vehicle has just entered a road section with lane lines.
- The vehicle changes lanes.
- The vehicle is not in D.
- The vehicle sways laterally too fast.
- The vehicle speed is below 33mph (55km/h), or above 111mph (180km/h).
- The anti-lock brake system (ABS) and the dynamic stability control system (SCS) are activated.

- Faults exist in the anti-lock brake system (ABS), dynamic stability control system (SCS), electric power steering system (EPS), etc.

IMPORTANT

The lane departure warning system will not provide an alert in the following situations:

- The driver indicates in the direction of the lane line about to be crossed.
- The hazard lamps are activated.
- The driver applies the accelerator rapidly, carries out an emergency manoeuvre or makes a hard brake pedal application.

It is recommended to turn off the lane departure warning system in the following situations:

- Driving in a sports style or manner.
- Driving in bad weather conditions.
- Driving on rough or poor road surfaces.
- Driving through roadworks or construction sites.

Lane Departure Prevention System (LDP)



The lane departure prevention system is an auxiliary system that provides assistance to the driver. It does NOT remove the responsibility of safe driving from the driver. When choosing to use the lane departure prevention system, the driver MUST always pay attention to the surroundings, hold the steering wheel and be prepared to make manoeuvres at any time. Failure to maintain overall control of the vehicle may result in an accident or personal injury.



The lane departure prevention system does not always recognise the lane lines. Sometimes poor road surfaces, certain road structures or objects may be mistaken for lane lines. When such situations occur, the lane departure prevention system must be immediately turned off.

The lane departure prevention system uses the front view camera to detect the lane lines ahead of the vehicle. The system will operate when the following detection conditions are met:

- The function is switched ON.
- Vehicle speed is above 37mph (60km/h).
- Lane line markings are clear.

As long as the system recognises at least one lane line the indicator lamp in the instrument pack will illuminate green. When a wheel is about to cross the lane line, or has already crossed the line, the system will provide assistance to the driver by keeping the vehicle in between the lane lines by applying corrective steering intervention and simultaneously displaying a prompt. The function will automatically exit when the vehicle speed drops below 33mph (55km/h).

In cases of two or more consecutive interventions within an accumulated interval of 180 seconds and in the absence of detecting any steering input by the driver during the intervention, an acoustic warning is sounded during the second intervention, and any further interventions within the 180 seconds. If there is need for, and starting with

STARTING & DRIVING

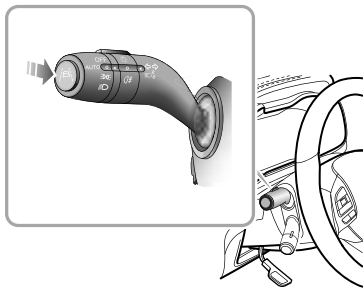
the third intervention, the acoustic alarm warning will continue longer than the previous warning signal. The lane departure prevention function will exit after five interventions in the absence of a steering input by the driver being detected during the interventions.

Lane departure prevention system setting

The operating interface for the lane departure prevention system is located in the infotainment display. Enter the vehicle setting interface to locate the driving assist option, scroll across the page to find the setting interface for the lane assist system:

- 1 Touch the corresponding button in the infotainment display to turn on/off the lane assist system. Select departure assist in the assist mode to switch on the lane departure prevention system. The system defaults to the last selected state from when the vehicle power system was ON/READY.
- 2 Touch the corresponding button in the infotainment display to turn on/off the audible alert. The system defaults to the last selected state from when the vehicle power system was ON/READY.

- 3 Touch the corresponding button in the infotainment display to adjust the alert sensitivity. The system defaults to the last selected state from when the vehicle power system was ON/READY.
- 4 Touch the corresponding button in the infotainment display to turn on/off the vibration alert. The system defaults to the last selected state from when the vehicle power system was ON/READY.



Having turned the lane departure prevention system on in the infotainment display, press the button at the end of the indicator stalk switch (as shown above). The lane departure prevention system will enter the standby or active state. The system defaults to the last selected state from when the vehicle power system was ON/READY.

When the lane departure prevention system is in the standby or active state, you can temporarily disable the function by pressing the button at the end of the indicator stalk switch (as shown above). Pressing the button again will resume the function.



When the lane departure prevention function is enabled, the indicator lamp illuminates yellow. When the function is enabled and the vehicle speed is above 37mph (60km/h), the indicator lamp remains green. When the function is disabled, the system indicator lamp extinguishes and the message centre in the instrument pack displays a prompt message. If the lane departure prevention system detects a fault or failure, the indicator lamp will flash yellow for 90s, and then remain on.

The lane departure prevention system will be impaired in the following conditions:

- The system detects that the driver has not moved the steering wheel for a preset time period.
- During system intervention the steering wheel is turned in the opposite direction.
- The front view camera is obstructed or it is impossible for the camera to detect the lane line ahead due to weather and environmental factors.
- The lane line is too thin, damaged, or fuzzy.
- The vehicle is driven on the bend with a small curvature radius.
- The width of the road is too narrow or too wide.
- The vehicle is driven on a road section without lane lines.
- The vehicle has just entered a road section with lane lines.
- The vehicle changes lanes.
- The vehicle is not in D.
- The vehicle sways laterally too fast.

STARTING & DRIVING

- The vehicle speed is below 33mph (55km/h), or above 111mph (180km/h).
- The anti-lock brake system (ABS) and the dynamic stability control system (SCS) are activated.
- Faults exist in the anti-lock brake system (ABS), dynamic stability control system (SCS), electric power steering system (EPS), etc.

IMPORTANT

The lane departure prevention system will not operate in the following situations:

- The driver indicates in the direction of the lane line about to be crossed.
- The hazard lamps are activated.
- The driver applies the accelerator rapidly, carries out an emergency manoeuvre or makes a hard brake pedal application.

IMPORTANT

- In cases where the number of lanes increase or lanes merge the driver **MUST** take full control of the vehicle.
- In areas where there are complex traffic conditions such as intersections or road junctions with congestion, the driver **MUST** take full control.

It is recommended to turn off the lane departure prevention system in the following situations:

- Driving in a sports style or manner.
- Driving in bad weather conditions.
- Driving on rough or poor road surfaces.
- Driving through roadworks or construction sites.

Lane Keeping Assist System (LKA)



The lane keeping assist system is an auxiliary system that provides assistance to the driver. It does NOT remove the responsibility of safe driving from the driver. When choosing to use the lane keeping assist system, the driver MUST always pay attention to the surroundings, hold the steering wheel and be prepared to make manoeuvres at any time. Failure to maintain overall control of the vehicle may result in an accident or personal injury.



The lane keeping assist system does not always recognise the lane line. Sometimes poor road surfaces, certain road structures or objects may be mistaken for lane lines. When such situations occur, the lane keeping assist system must be immediately turned off.

The lane keeping assist system uses the front view camera to detect the lane lines ahead of the vehicle. The system

will operate when the following detection conditions are met:

- The function is switched ON.
- Vehicle speed is above 37mph (60km/h).
- Lane line markings are clear.

As long as the system recognises two lane lines on both sides the indicator lamp in the instrument pack will illuminate green. The system will always attempt to maintain the vehicle position in the centre of the lane by using corrective steering interventions. If the vehicle deviates from the lane lines the system will activate the lane departure warning function to alert the driver that the vehicle has deviated from the lane. The driver can take corrective action at any time. The function will automatically exit when the vehicle speed drops below 33mph (55km/h).

In the absence of a steering input from the driver for some seconds, an acoustic warning is provided, the instrument pack provides a yellow prompt. If the system still fails to see an input from the driver, the acoustic warning becomes continuous and the prompt illuminates red. If the system still fails to detect an input from the driver, it will assume

STARTING & DRIVING

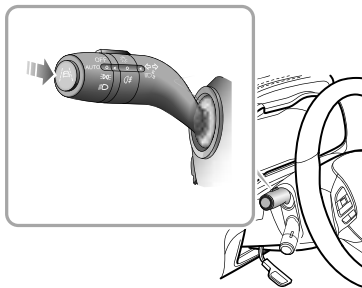
the driver is not able to keep their hands on the steering wheel and automatically exit the function. Accompanied by the exit, a more urgent acoustic warning is provided for at least 5s or until the driver holds the steering control again.

Lane keeping assist system setting

The operating interface for the lane keeping assist system is located in the infotainment display. Enter the vehicle setting interface to locate the driving assist option, scroll across the page to find the setting interface for the lane assist system:

- 1 Touch the corresponding button in the infotainment display to turn on/off the lane assist system. Select lane keeping in the assist mode to switch on the lane keeping assist system. The system defaults to the last selected state from when the vehicle power system was ON/READY.
- 2 Touch the corresponding button in the infotainment display to turn on/off the audible alert. The system defaults to the last selected state from when the vehicle power system was ON/READY.

- 3 Touch the corresponding button in the infotainment display to adjust the alert sensitivity. The system defaults to the last selected state from when the vehicle power system was ON/READY.
- 4 Touch the corresponding button in the infotainment display to turn on/off the vibration alert. The system defaults to the last selected state from when the vehicle power system was ON/READY.



Having turned the lane keeping assist system on in the infotainment display, press the button at the end of the indicator stalk switch (as shown above). The lane keeping assist system will enter the standby or active state. The system defaults to the last selected state from when the vehicle power system was ON/READY.

When the lane keeping assist system is in the standby or active state, you can temporarily disable the function by pressing the button at the end of the indicator stalk switch (as shown above). Pressing the button again will resume the function.



When the lane keeping assist function is enabled, the indicator lamp illuminates yellow. When the function is enabled and the vehicle speed is above 37mph (60km/h), the indicator lamp remains green. When the function is disabled, the system indicator lamp extinguishes and the message centre in the instrument pack displays a prompt message. If the lane keeping assist system detects a fault or failure, the indicator lamp will flash yellow for 90s, and then remain on.

The lane keeping assist system will be impaired in the following conditions:

- The system detects that the driver has not moved the steering wheel for a preset time period.
- During system intervention the steering wheel is being manipulated by the driver.
- The front view camera is obstructed or it is impossible for the camera to detect the lane line ahead due to weather and environmental factors.
- The lane line is too thin, damaged, or fuzzy.
- The vehicle is driven on the bend with a small curvature radius.
- The width of the road is too narrow or too wide.
- The vehicle is driven on a road section without lane lines.
- The vehicle has just entered a road section with lane lines.
- The vehicle changes lanes.
- The vehicle is not in D.
- The vehicle sways laterally too fast.

STARTING & DRIVING

- The vehicle speed is below 33mph (55km/h), or above 111mph (180km/h).
- The anti-lock brake system (ABS) and the dynamic stability control system (SCS) are activated.
- Faults exist in the anti-lock brake system (ABS), dynamic stability control system (SCS), electric power steering system (EPS), etc.

IMPORTANT

The lane keeping assist system will not operate in the following situations:

- The driver indicates in the direction of the lane line about to be crossed.
- The hazard lamps are activated.
- The driver applies the accelerator rapidly, carries out an emergency manoeuvre or makes a hard brake pedal application.

IMPORTANT

- In cases where the number of lanes increase or lanes merge the driver **MUST** take full control of the vehicle.
- In areas where there are complex traffic conditions such as intersections or road junctions with congestion, the driver **MUST** take full control.

It is recommended to turn off the lane keeping assist system in the following situations:

- Driving in a sports style or manner.
- Driving in bad weather conditions.
- Driving on rough or poor road surfaces.
- Driving through roadworks or construction sites.

MG Pilot System



The assistant technology used in the MG pilot system cannot replace the driver's judgment on the road and traffic conditions. The system can provide assistance for the driver but cannot replace the driver in driving. When choosing to use the MG pilot system, due to the limitations of system detection and control, the driver must always be careful. Failure to maintain overall control of the vehicle may result in an accident or personal injury.



The MG pilot system is a driver assistance function, it's not auto pilot. There are many situations where the function is restricted or exits. The driver needs to hold the steering wheel at all times and correct or take over the steering wheel control if necessary.

The MG pilot system needs to be used in conjunction with the adaptive cruise control system. The MG pilot system

works on the basis of the adaptive cruise control system. If the lane lines ahead on both sides are clear, the system can assist the vehicle in driving within the lane lines. When driving at a speed lower than 37mph (60km/h), if there is a vehicle ahead and the lane lines ahead on both sides aren't clear, the system also can assist the vehicle in following the track of the vehicle ahead.

Note: *The driver should adjust the vehicle speed and the following distance according to the road visibility, weather and road conditions. The MG pilot system does not respond to pedestrians, animals, stationary vehicles and vehicles that drive across the lane or oncoming vehicles in the same lane. If the MG pilot system cannot reduce the vehicle speed adequately, the driver **MUST** apply the brakes. In congested conditions, should another vehicle cut into the lane being used by the vehicle under MG pilot control, the system may not detect the vehicle in adequate time to make a braking manoeuvre. In this case the brakes should be applied by the driver.*

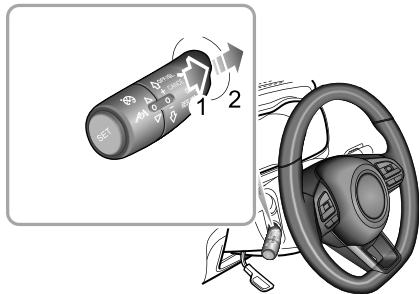
In the absence of a steering input from the driver for some seconds, an acoustic warning is provided, the instrument

STARTING & DRIVING

pack provides a yellow prompt. If the system still fails to see an input from the driver, the acoustic warning becomes continuous and the prompt illuminates red. If the system still fails to detect an input from the driver, it will assume the driver is not able to keep their hands on the steering wheel and automatically exit the function. Accompanied by the exit, a more urgent acoustic warning is provided for at least 5s or until the driver holds the steering control again.

Note: *When the driver uses this function to follow the track of the vehicle in front, the driver **MUST** pay attention to the surrounding environment. Overall responsibility for direction and braking of the car remains with the driver.*

MG pilot system setting



The operating interface for the MG pilot system is located in the infotainment display. Enter the vehicle setting interface to locate the driving assist option, scroll across the page to find the setting interface for the MG Pilot system. The driver may select to turn it on/off. To use the MG pilot system, the adaptive cruise control system must be turned on at the same time. When the function

is turned off, the message centre in the instrument pack will display the corresponding prompt.

Turn the adaptive cruise control level to “RESUME” twice will switch the MG pilot system from standby to active state.



When the MG pilot function is enabled, the indicator lamp illuminates yellow. When the function is active, the indicator lamp illuminates green. When the function is disabled, the system indicator lamp extinguishes and the message centre in the instrument pack displays the prompt message. If the MG pilot system detects a fault or failure, the indicator lamp will flash yellow for 90s, and then remain on.

Technical requirements for using MG pilot system:

- The adaptive cruise control system must be activated.
- The MG pilot system must be switched on via the corresponding button in the infotainment system.

- If the vehicle speed is below 37mph (60km/h), the system must be able to detect lane lines on both sides of the vehicle or a target vehicle directly ahead.
- If the vehicle speed is greater than 37mph (60km/h), the system must be able to detect lane lines on both sides of the vehicle.
- The vehicle is in D.

The MG pilot system will be impaired in the following conditions:

- The system detects that the driver has not moved the steering wheel for a preset time period.
- During system intervention the steering wheel is being manipulated by the driver.
- The technical requirements for MG pilot system are not met.
- The front view camera is obstructed or it is impossible for the camera to detect the lane line ahead due to weather and environmental factors.
- The lane line is too thin, damaged, or fuzzy.
- The vehicle is driven on the bend with a small curvature radius.

STARTING & DRIVING

- The width of the road is too narrow or too wide.
- The vehicle is driven on a road section without lane lines.
- The vehicle has just entered a road section with lane lines.
- The vehicle changes lanes.
- The vehicle is not in D.
- The vehicle sways laterally too fast.
- The vehicle speed is below 33mph (55km/h), or above 111mph (180km/h).
- The anti-lock brake system (ABS) and the dynamic stability control system (SCS) are activated.
- Faults exist in the anti-lock brake system (ABS), dynamic stability control system (SCS), electric power steering system (EPS), etc.

It is recommended to turn off the MG pilot system in the following situations:

- Driving in a sports style or manner.
- Driving in bad weather conditions.
- Driving on rough or poor road surfaces.
- Driving through roadworks or construction sites.

- Driving through complicated road sections (such as urban sites and intersections).
- Driving on steep or excessively winding roads in low visibility.
- Driving on grass tracks or unpaved roads.

IMPORTANT

The MG pilot system will not operate in the following situations:

- The driver indicates.
- The hazard lamps are activated.
- The driver applies the accelerator rapidly, carries out an emergency manoeuvre or makes a hard brake pedal application.

IMPORTANT

- In cases where the number of lanes increase or lanes merge the driver **MUST** take full control of the vehicle.
- In areas where there are complex traffic conditions such as intersections or road junctions with congestion, the driver **MUST** take full control.
- The driver **MUST** be aware of the surroundings and be able to assume full control of the vehicle when using the MG pilot function to track the car in front should the need arise.

Forward Collision Warning System (FCW)



The driver should pay full attention and drive carefully even if the vehicle is equipped with the forward collision warning system.

The forward collision warning system detects other vehicles and pedestrians ahead using the forward detection radar and front view camera. When the speed is above 18mph (30km/h) and the vehicle is approaching the vehicle or pedestrian ahead rapidly, the system will prompt the driver to slow down in time and keep a relatively safe distance from the vehicle or pedestrian ahead by emitting an audible alert and displaying a prompt in the information message centre in the instrument pack.

Note: *When the vehicle speed is between 18 and 52mph (30 and 85km/h), stationary targets can be detected. When the vehicle speed is between 18 and 93mph (30 and 150km/h), moving targets can be detected. When the vehicle speed is between 18 and 39mph (30 and 64km/h), pedestrians can be detected.*

STARTING & DRIVING

Forward collision warning system setting

The operating interface for the forward collision warning system is located in the infotainment display. Enter the vehicle setting interface to locate the driving assist option, scroll across the page to find the setting interface for the forward collision system.

- 1 Touch the corresponding button in the infotainment display to switch the forward collision system on/off. Select alert in the assist mode to activate the forward collision warning system. When the start stop switch illuminates green (ON/READY), the switch defaults to ON. When the driver actively selects to turn off the function, the prompt message will be displayed in the information message centre in the instrument pack, and the confirmation message pop up in the infotainment display.
- 2 Touch the corresponding button in the infotainment system to adjust the alert sensitivity, the system defaults to the last selected state from when the vehicle power system was ON/READY.



The lamp illuminates yellow when the forward collision warning system is turned off. If the forward collision warning system detects a fault or failure, the indicator lamp will flash yellow for 90s, and then remain on.

The forward collision warning system will be impaired in the following conditions:

- The front view camera is obstructed or its performance is affected.
- The vehicle is driving on a bend with a small curve radius.
- The vehicle ahead is of a non standard type, or only the side can be detected.
- The vehicle ahead is too large or close making it impossible to make out the complete outline.
- The vehicle is on an excessive gradient or slope.
- The vehicle is in R.
- The vehicle is accelerating or braking excessively hard.
- There are animals, signposts, guardrails, buildings or similar non motorised objects ahead.

Automatic Emergency Braking System (AEB) and Automatic Emergency Braking System for Pedestrians (AEBP)



*The driver remains responsible for the safety of the entire driving process, even if the vehicle is equipped with automatic emergency braking system and automatic emergency braking system for pedestrians. The driver **MUST** pay full attention and drive carefully. As driver assist systems, the automatic emergency braking system and automatic emergency braking system for pedestrians cannot prevent accidents or avoid collisions in all situations. The driver **MUST** always remain in control to avoid accidents or emergency situations.*



*Emergency braking whilst under the control of the automatic emergency braking system and automatic emergency braking system for pedestrians may cause injuries to the passengers. Therefore, drive carefully and all passengers **MUST** wear seat belts at all times.*



Ensure the automatic emergency braking system, automatic emergency braking system for pedestrians or vehicle power system is switched off when being towed. If automatic emergency braking system and automatic emergency braking system for pedestrians is enabled when the vehicle is being towed, adverse effects may affect the safety of your vehicle, the towing vehicle and the people around.

STARTING & DRIVING



To avoid the occurrence of accidents, never specially test the functions of automatic emergency braking system and automatic emergency braking system for pedestrians.

When the switch for the automatic emergency braking system in the infotainment display is ON, the system will detect and monitor the vehicle ahead in the same lane with the forward detection radar and front view camera. When the system detects that there is a risk of collision between the vehicle and the vehicle ahead, the brake system will automatically intervene to decelerate the vehicle, so as to avoid collision accidents or mitigate damage from collision accidents. If the vehicle is braked and stopped, it will remain stationary for about 2s. Then the control of the vehicle will be handed over to the driver.

When the switch for the automatic emergency braking system for pedestrians in the infotainment display is ON, the system will detect and monitor the pedestrians ahead in the same lane with the forward detection radar and front view camera. When the system detects that there is a risk of collision between the vehicle and the pedestrian ahead,

the brake system will automatically intervene to decelerate the vehicle, so as to avoid collision accidents or mitigate damage from collision accidents. If the vehicle is braked and stopped, it will keep stationary for approx. 2s, then the control of the vehicle will be handed over to the driver.

Note: When the vehicle speed is between 2 and 52mph (4 and 85km/h), stationary targets can be detected. When the vehicle speed is between 2 and 93mph (4 and 150km/h), moving targets can be detected. When the vehicle speed is between 2 and 39mph (4 and 64km/h), pedestrians can be detected.

IMPORTANT

- For stationary targets, collisions cannot be completely avoided when the vehicle speed is greater than 27mph (45km/h).
- For moving targets, collisions cannot be completely avoided when the relative speed is greater than 27mph (45km/h).

The automatic emergency braking system and automatic emergency braking system for pedestrians will only be activated if the following conditions are met:

- The dynamic stability control system (SCS) and traction control system (TCS) are fault-free and ON.
- The vehicle is in D or N.
- The airbags are not deployed.

Note: *In some cases, the driver may not have anticipated any braking intervention and does not want to apply the brakes whilst the automatic emergency braking system and automatic emergency braking system for pedestrians are braking heavily. the driver can temporarily cancel this operation by heavily pressing the accelerator pedal after ensuring that it is safe to do so.*

Automatic emergency braking system and automatic emergency braking system for pedestrians setting

The operating interface for the AEB/AEBP system is located in the infotainment display. Enter the vehicle

setting interface to locate the driving assist option, scroll across the page to find the setting interface for the forward collision system:

- 1 Touch the corresponding button in the infotainment system to switch the forward collision system on/off. Select emergency braking in the assist mode to activate the automatic emergency braking system. When the start stop switch illuminates green (ON/READY), the switch of the system defaults to ON. When the driver actively selects to turn off the function, a prompt message will be displayed in the information message centre in the instrument pack and a pop up message will appear in the infotainment display.
- 2 Touch the corresponding button in the infotainment system to switch the automatic emergency braking system for pedestrians on/off. When the start stop switch illuminates green (ON/READY), the switch defaults to ON. When the driver actively selects to turn off the function, a prompt message will be displayed in the information message centre in the instrument pack and a pop up message will appear in the infotainment display.

STARTING & DRIVING

Note: *DO NOT operate any infotainment switches whilst driving. If you wish to make any settings changes please pull over when it is safe and legal to do so.*



The indicator lamp illuminates yellow when the automatic emergency braking system or emergency braking system for pedestrians is turned off. If the automatic emergency braking system or emergency braking system for pedestrians detects a fault or failure, the indicator lamp will flash yellow for 90s, and then remain on.

The operation of the automatic emergency braking system and automatic emergency braking system for pedestrians may be impaired in the following situations:

- The detection performance of forward detection radar or front view camera is affected.
- The contour of the vehicle ahead is unclear, for example: water sprayed by the wheels of the front

and surrounding vehicles in heavy rain/spray or snow conditions.

- When driving on special road conditions, for example, on a curve or a slope, on the section coming on/off the bridge, a vehicle ahead, an oncoming vehicle, a vehicle crossing the intersection, a vehicle making a turn, the side of a vehicle or a vehicle jumping the queue rapidly in a short distance is detected.
- There are vehicles running in the opposite direction in the lane, or the vehicle itself runs in opposite direction.
- The vehicle ahead does not have or has obscured tail lamps when driving at night or in a tunnel; the tail lamps of the vehicle ahead are all LED strip lights or other homemade coloured lamps; inconsistent or flickering street lights when driving at night.
- The vehicle ahead is an ultra-large vehicle or a trailer, which is too big to be recognised by the system (such as a tractor, a trailer, a towing vehicle)
- The vehicle ahead does not follow the rules of driving and parking; the vehicle ahead is driving on the lane lines; the vehicle ahead is not in the same lane as your vehicle or the view of vehicle ahead is partially obscured.

- The pedestrian is not directly in front of the vehicle; the pedestrian is not fully visible; the pedestrian is not standing upright; there are a crowd of pedestrians; the pedestrian is over-shadowed; the pedestrian is in the dark or it is a child under a certain height, etc.

Note: *The two systems function only when a vehicle or pedestrian is detected in the same lane ahead. The system cannot recognise any special-shaped ground obstacles (such as roadblocks, isolation piles, isolation strips, large stones and other scattered objects) and animals. The system may not recognize bicycles, motorbikes, small wheeled objects (such as suitcases, shopping carts or wheelchairs), some means of unusual transportation (such as the horse and cart, carriages etc.) and vehicles with higher chassis.*

STARTING & DRIVING

Load Carrying



DO NOT exceed the *gross vehicle weight* or the *permitted front and rear axle loads*. *Failure may result in vehicle damage or serious injury.*

Loadspace Loading



Ensure that the *rear seat backrests are securely latched in the upright position when loads are carried in the load space behind the seats.*

When luggage is carried in the load space, always ensure heavy items are placed as low and as far forward as possible, so as to avoid the cargo shift in the event of an accident or sudden stop.

Drive carefully and avoid emergency braking or manoeuvres.

Driving with the tailgate open is very dangerous. If the load being carried requires the tailgate to be open, please ensure the cargo is suitably secured.

IMPORTANT

Traffic regulations must be observed when loading cargo, if the cargo extrudes the loadspace appropriate warning measures must be taken to warn other road users.

Internal Loading



DO NOT carry *unsecured equipment, tools or luggage that could move, causing personal injury in the event of an accident, or emergency braking or hard acceleration.*



DO NOT *obstruct the driver's or passenger's vision with loads.*

Folding the rear seats can increase luggage space, refer to "Rear Seats" described in the "Seats and Restraints" section.

When cargo is loaded in the vehicle, place it at a position as low as possible and ensure that it is tightly secured, so as to avoid personal injury caused by cargo movement when traffic accidents or emergency braking occurs. If the cargo

has to be placed on a seat, then the seat must not be used by an occupant during that time.

Emergency Information

240 Hazard Warning Devices

242 Emergency Starting

245 Towing and Shipping

249 Tyre Repair

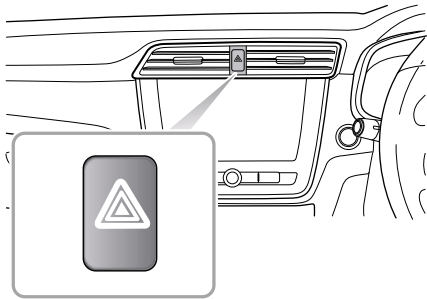
256 Fuse Replacement

263 Bulb Replacement

EMERGENCY INFORMATION

Hazard Warning Devices

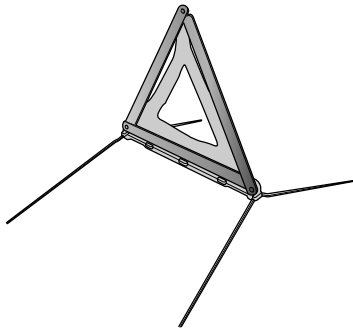
Hazard Warning Lights



Note: Before you stop or slow the car in an emergency, always press the hazard warning switch. All the direction indicators will flash together to warn other road users when your car is causing an obstruction or

is in a hazardous situation. Remember to switch off before driving away.

Warning Triangle



The warning triangle supplied with your car is stowed in the loadspace.

If you have to stop your car on the road in an emergency, you must place a warning triangle approximately 50 - 150

EMERGENCY INFORMATION

metres behind the car, if possible, to warn other road users of your position.

EMERGENCY INFORMATION

Emergency Starting

Using Booster Cables

! NEVER attempt to power the vehicle by pushing or towing.

! Make sure that both batteries are of the same rated voltage (12 volts), and that the booster cables are approved for use with 12 volt car batteries.

! Ensure sparks and naked flames are kept well away from the front compartment.

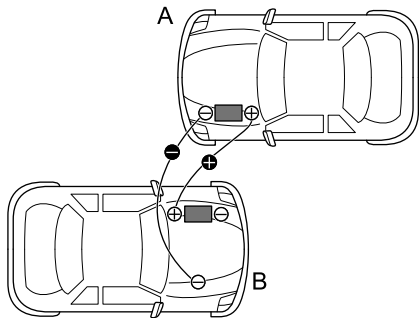
Using booster cables (jump leads) from a donor battery, or a battery fitted to a donor vehicle, is the only approved method of powering a car with a flat battery.

If the battery from a donor vehicle is to be used, make sure that the vehicles are parked so that the two batteries are adjacent to one another and that both the vehicles do not touch.

Starting the Car



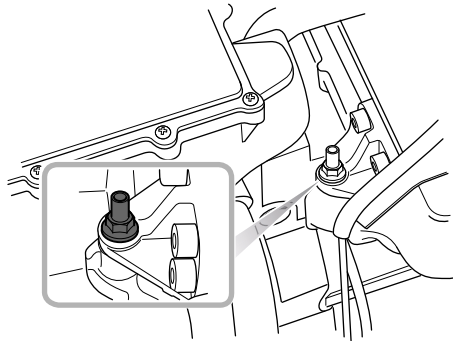
Ensure that each booster cable connection is securely made. There must be no risk of the clips accidentally slipping from the battery terminals, this could cause sparking, which could lead to fire or explosion.



EMERGENCY INFORMATION

Ensure the vehicle power system is switched OFF and switch off ALL electrical equipment of BOTH vehicles, then follow the instructions:

- 1 Connect the RED booster cable between the positive (+) terminals of both batteries. Connect the BLACK booster cable from the negative (-) terminal of the donor battery (A) to a good earth point (the PEB mounting or other unpainted surface, for example), at least 0.5 m from the battery on the disabled vehicle (B).



- 2 Start the donor vehicle and allow it to run for a few minutes.
- 3 Now switch the vehicle power system of the vehicle with the discharged battery to READY. If the disabled vehicle will not switch to READY it may need to be repaired. Please contact an MG Authorised Repairer.
- 4 After both the vehicles have normally started/powerd, leave the vehicles connected in this

EMERGENCY INFORMATION

state for more than 2 minutes before switch off the donor vehicle and disconnecting the booster cables.

- 5 Disconnecting the booster cables must be an exact reversal of the procedure used to connect them, i.e. disconnect the **BLACK** cable from the earth point on the disabled vehicle **FIRST**.

Caution
DO NOT switch on any electrical appliance in the disabled vehicle until the booster cables have been disconnected.

Towing and Shipping

Towing Vehicle



When pushing or towing the vehicle onto the transporter, the speed must remain below 3mph (5km/h) and be completed within 3 minutes.



When pushing or towing the vehicle onto the transporter, the driver's side seat belt should be inserted into the lock and maintained in the inserted state in order to release the EPB.

Towing Hook

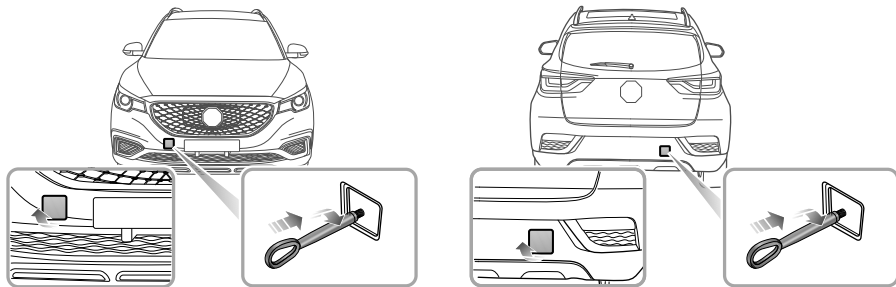


DO NOT use a tow rope that is twisted - or the towing hook may be unscrewed.



DO NOT tow the vehicle with the driven front wheels in contact with the road surface.

EMERGENCY INFORMATION



Your car is equipped with 2 towing eyes (located at the front and the rear of the vehicle), which are used for fitting the towing hook in the tool kit. And the tool kit is placed beneath the loadspace floor. To fit the towing hook, remove the small cover set into the bumper, then screw the towing hook via the small hole into the threaded hole in the bumper beam (see illustration). Ensure the towing hook is fully tightened!

Note: *The small cover removed may be secured to the bumper by a plastic cord.*

Both towing points are intended for use by qualified recovery specialists to assist in the recovery of your car when a breakdown or accident occur. They are not designed for towing other vehicles, and must NEVER be used to tow a trailer or caravan.

Towing



If, due to an electrical fault, potential safety hazards may exist, please ensure the vehicle power system is switched OFF.



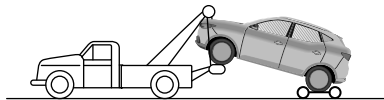
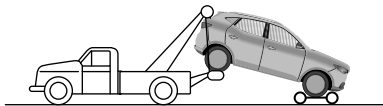
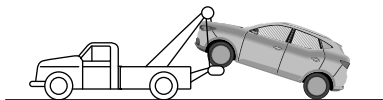
When towing, DO NOT suddenly accelerate or brake suddenly, this can cause accidents.

Suspended Towing



4 wheel towing is not permitted.

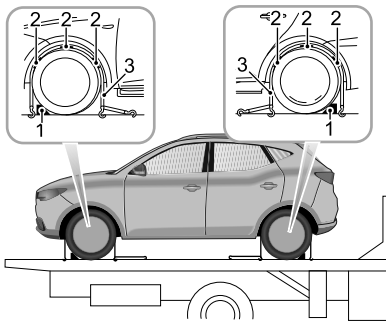
Suspended towing is the best method for a vehicle needs to be towed. The drive wheels **MUST** suspended above the ground, this is to avoid any damage to the drive components and possible inadvertent powering of the vehicle.



EMERGENCY INFORMATION

Transporting using Trailer or Transporter

If your car is to be transported on the back of a trailer or transporter, it must be secured as illustrated:

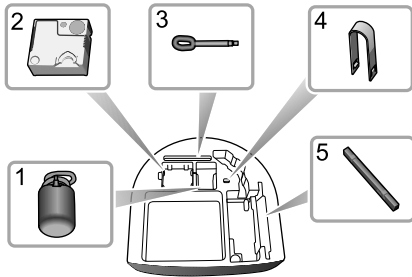


- 1 Before transporting the vehicle, make sure that the electronic parking brake system (EPB) is enabled, refer to "Electronic Parking Brake System (EPB)" in "Starting and Driving" chapter for details.

- 2 Fit wheel chocks (1) as shown, then position the anti slip rubber blocks (2) around the circumference of the wheel.
- 3 Fit the lashing straps (3) around the wheels and secure them on the trailer. Fasten the straps to secure the vehicle.

Tyre Repair

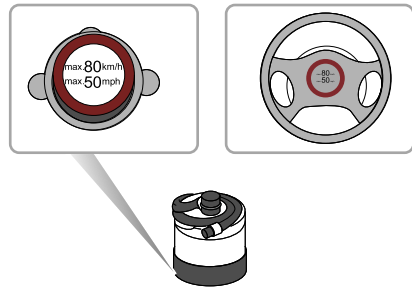
Tool Identification



- 1 Repair Fluid Reservoir
- 2 Electric Air Pump
- 3 Towing Hook
- 4 Wheel Bolt Cap Removal Tool
- 5 Warning Triangle

Tyre Repair

- 1 Remove the label at the bottom of the repair fluid reservoir and attach it to the steering wheel to remind the driver not to exceed 50 mph (80 km/h).



- 2 Connect the air hose of the electric air pump to the repair fluid reservoir, fit the tyre sealant bottle (upright) into the slot on the compressor. Remove the valve dust cap of the flat tyre, and connect the filler hose from the tyre sealant bottle to the tyre

EMERGENCY INFORMATION

valve. Ensure that the power switch of the electric air compressor is switched off (i.e., press “O”), then insert the plug from the compressor into the centre console power socket, and turn the vehicle power system to ON/READY.



Note: To avoid battery discharge, it is recommended to keep the vehicle in P and READY mode.

- 3 Switch on the power switch of the electric compressor (i.e., press “-”), to start pumping sealant into the tyre. The tyre sealant bottle will become empty after approximately 30 seconds. The tyre should reach the specified pressure within 5 or 10 minutes.

Note: The pressure gauge may briefly reach 6 bar (87 psi), then the pressure begins to drop to normal.

- 4 When the required pressure is reached, switch off the power switch of the electric compressor (i.e., press “O”).

Note: If the required pressure cannot be reached within 10 minutes, please disconnect the compressor, drive the vehicle 10 metres (33 feet) approx forward or backward to allow the sealant to spread within the tyre. If the required pressure can still not be reached, the tyre is severely damaged and you should seek assistance from the MG Authorised Repairer.

EMERGENCY INFORMATION

Note: Consecutive operation of Electric air compressor for more than 10 minutes may result in damage to the compressor.

Note: Under no circumstances should you continue your journey with a deflated tyre. Driving a vehicle with a deflated tyre is extremely dangerous.

- 5 Remove the tyre sealant bottle from the slot in the compressor, disconnect the hose from the tyre valve, remove the compressor plug from the centre console power socket, return the tyre repair kit to its stowage tray.

Please take different measures based on the tyre pressure measured:

- If the tyre pressure has dropped to less than 0.8 bar (11.6 psi), do not continue driving, seek assistance instead.
- If the tyre pressure is between 0.8 bar (11.6 psi) and specified pressure, connect the hose of electric air pump to the tyre valve, and connect the plug of the electric air pump to the power socket, then switch on

the electric air pump to inflate the tyre until it reaches the specified pressure. Repeat the operations of step 6 after driving a maximum distance of 3 miles (5 km).

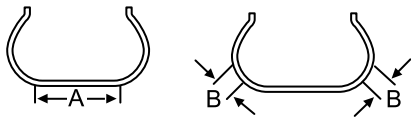


- If the tyre pressure has not dropped, you may continue driving, but the vehicle speed must not exceed 50 mph (80 km/h), and the driving mileage must not exceed 125 miles (200 km).

Note: DO NOT remove foreign objects (eg. screws, nails) from the tyre. The tyre repair system must only be used when the foreign object is in the

EMERGENCY INFORMATION

tread pattern (A), **DO NOT** attempt a repair when the damage is in the sidewall of the tyre (B).



Changing a Wheel *

If you need to change the wheel during the journey, choose a safe place to stop away from the main road if possible. Always ask your passengers to get out of the car and wait in a safe area away from other traffic.

Switch on hazard warning lamps. If available, position a warning triangle about 50 to 150 metres behind your vehicle to warn approaching traffic.

Before changing a wheel, ensure the front wheels are in the straight ahead position. Apply the parking brake and place the gear shift lever of transmission in N position.

Observe the following precautions:

- Ensure the jack is positioned on firm, level ground.
- If the vehicle must be parked on the hill, place chocks in front of and behind other 3 wheels to prevent the vehicle moving.

EMERGENCY INFORMATION

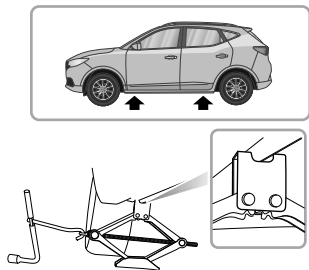
Positioning the Jack



NEVER work beneath the car with the jack as the only means of support. The jack is designed for wheel changing only!



NEVER jack the car using any jacking points other than the jacking points. Serious damage to the car could result.



Avoid accidental contact with any underbody parts, especially hot exhaust system components.

Position the jack on firm level ground under the jacking point nearest the wheel to be removed. Note that the domed head of the jack must fit into the corresponding recess in the sill plate (There is a triangle indicator in the area shown by the arrowhead. See the illustration above).

Turning the jack screw by hand, adjust the jack until the jack head fits snugly onto the sill in the correct area. Ensure that the base of the jack is in full contact with the level ground.

Fitting the Spare Wheel



Regularly check the spare wheel tyre pressure, it may not be used for long periods of time. After fitment, at the first opportunity check and adjust the tyre pressure.



The wheel bolts must be tightened to the specified torque after changing a wheel (115 ~ 130 Nm).

EMERGENCY INFORMATION

- 1 Before raising the car, use the special tool supplied with the vehicle to remove each wheel bolt cap. Use the wheel bolt spanner to slacken each bolt half a turn anti-clockwise.
- 2 Turn the handle in a clockwise direction until the tyre is clear of the ground.
- 3 Remove the wheel bolts and place them in the tool tray to prevent them from being lost. Make sure the vehicle is steady and there is no risk of slip or movement before removing wheel bolts.
- 4 Remove the road wheel.

Note: *Avoid placing wheels face down on the ground - the surface may be scratched.*

- 5 Fit the spare wheel and tighten the wheel bolts with wheel bolt spanner until the wheel is seated firmly against the hub.
- 6 Lower the car and remove the jack, then FULLY tighten the wheel bolts in a diagonal sequence.
- 7 Finally, return the tools to the toolbox, put the toolbox into the well of the boot floor, tighten the spare wheel

retaining nuts, and put the replaced wheel above the toolbox in the well in the load space floor (face down). Lower the boot floor, and put the boot storage box on the boot floor.

Note: *DO NOT stand on the handle of the wheel bolt spanner or use extension tube on the handle of the spanner.*

Note: *When replacing the wheel, please fully tighten the bolts in the diagonal sequence twice.*

Note: *Consult your MG Authorised Repairer. or tyre specialist for a replacement tyre, as soon as possible.*

Spacesaver Spare Wheel



Only one spacesaver spare wheel can be used at any one time, otherwise the operational performance and brake performance may be reduced, thereby leading to accident or injury to yourself and others.



When driving on icy or slippery surfaces it is advised to fit the spacesaver wheel to the rear of the vehicle to maintain adequate stability. This may mean swapping a front wheel with a rear wheel.



Snow chains can not be used on the spacesaver spare wheel, this can cause damage to the car and snow chain.

When the spacesaver spare wheel is fitted, the vehicle speed should not exceed 50 mph(80 km/h). Please have the full-scale tyre repaired and replace the spare wheel as soon as possible. This will extend the life span of the spare wheel for other emergencies.

Note: *DO NOT use an automatic car wash when the spacesaver wheel is fitted, the guide rails of the car wash may conflict with the wheel/tyre and cause damage.*

EMERGENCY INFORMATION

Fuse Replacement

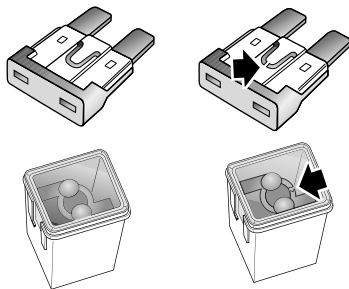
Fuse

Fuses are simple circuit breakers which protect the vehicle electrical equipment by preventing the electrical circuits from being overloaded. A blown fuse indicates that the item of electrical equipment it protects stops working.

Check a suspect fuse by removing it from the fuse box and looking for a break in the wire inside the fuse.

It is recommended to have spare fuses in the vehicle, which can be obtained from a local MG Authorised Repairer.

Healthy and Blown Fuses



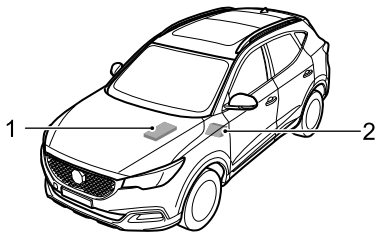
IMPORTANT

- NEVER attempt to repair a blown fuse. ALWAYS replace a fuse with one of the same rating.
- If a replaced fuse fails immediately, please contact an MG Authorised Repairer as soon as possible.

EMERGENCY INFORMATION

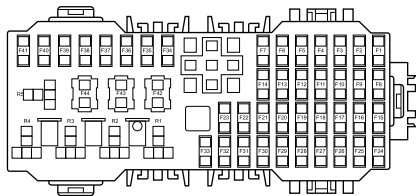
Fuse Box

There are two fuse boxes in the vehicle :



- 1 Front Compartment Fuse Box (at the left side of the Front Bay) .
- 2 Passenger Compartment Fuse Box (below the glove box at the front passenger side) .

Passenger Compartment Fuse Box



Check or Replace a Fuse

- 1 Switch off the vehicle power system and all electrical equipment, disconnect the battery negative cable.
- 2 Remove the closing panel below the glove box to gain access to the fuse box.

EMERGENCY INFORMATION

- Press the fuse extraction tool onto the fuse head and pull to remove the fuse. A blown fuse can be recognised by a break in the wire.
- Replace the blown fuse with a same rating.

Fuse Specification

NO.	Specs	Function
F1	5A	Charging Plug Unlock Relay, Charging Plug Lock Relay
F2	10A	Diagnostic Socket
F3	5A	Charger, EVCC
F4	15A	Front Wash Relay, Rear Wash Relay
F5	5A	SDM
F6	5A	HV PTC, ESS PTC
F7	10A	ESS (High Voltage Battery)
F8	5A	TPMS, EPB Switch

NO.	Specs	Function
F9	5A	VCU
F10	10A	PACM
F11	5A	PEPS
F12	-	-
F13	30A	Driver Seat Adjust Switch
F14	5A	IMMO Coil
F15	15A	Front Power Socket
F16	5A	Rear USB Charge Module, Master Light Switch, Headlamp Assembly
F17	—	—
F18	30A	Rear Left Window Lift Switch
F19	30A	Passenger Window Lift Switch
F20	30A	Rear Right Window Lift Switch

EMERGENCY INFORMATION

NO.	Specs	Function
F21	30A	Driver Window Lift Motor
F22	10A	Heated Mirrors
F23	25A	Rear Windshield Assembly
F24	20A	FICM, IFP, DAB
F25	15A	ETC, ACFP
F26	5A	Instrument Pack
F27	10A	Driver Door Switch Pack, Master Light Switch
F28	5A	RLS, Master Radar
F29	10A	Gateway
F30	10A	Gateway
F31	30A	Sunroof ECU
F32	30A	Sunroof ECU
F33	5A	SCU

NO.	Specs	Function
F34	10A	ESCL
F35	15A	Super Lock Relay
F36–41	-	-
F42	30A	EPB
F43	30A	EPB
F44	-	-

EMERGENCY INFORMATION

Front Compartment Fuse Box



Check or Replace a Fuse

- 1 Switch off the vehicle power system and all electrical equipment, disconnect the battery negative cable.
- 2 Press the locating clips to remove the fuse box lid.
- 3 Press the fuse extraction tool onto the fuse head and pull to remove the fuse. A blown fuse can be recognized by a break in the wire.
- 4 Replace the fuse with a same rating.

Fuse Specification

NO.	Specs	Function
FL1	150A	PEB
FL2	80A	EPS
FL3	40A	Cooling Fan Relay Pack
FL4	80A	Passenger Compartment Fusebox Fuse F18, F19, F20, F21, F34, F35, F42, F43

EMERGENCY INFORMATION

NO.	Specs	Function
FL5	80A	Passenger Compartment Fusebox Fuse F1, F2, F3, F4, F5, F6, F7, F8, F9, F10, F11, F13, F14, F24, F25, F26, F27, F28, F29, F30, F31, F32, F33, HRV Relay
FL6	25A	SCS Valve
FL7	30A	Blower Motor, ETC
FL8	20A	BCM
FL9	40A	SCS Pump
FL10	30A	BCM
FL11	-	-
FL12	20A	BCM
FL13	-	-
FL14	-	-

NO.	Specs	Function
FL15	30A	KLR Relay
FL16	-	-
FL17	40A	EVP Relay
F1	-	-
F2	15A	PEB Water Pump, Cooling Fan Relay Pack
F3	-	-
F4	-	-
F5	10A	EVAP
F6	-	-
F7	30A	Wiper Enable Relay, Wiper Speed Relay
F8	-	-
F9	-	-

EMERGENCY INFORMATION

NO.	Specs	Function
F10	10A	Main Beam-RH
F11	10A	Main Beam-LH
F12	-	-
F13	15A	Horn Relay
F14	-	-
F15	5A	Brake Pedal Switch
F16	15A	Rear Wiper Relay
F17	15A	ESS PWM Pump Relay
F18	5A	SDM
F19	5A	VCU
F20	-	-
F21	15A	BCM
F22	10A	Seat Heat Relay-LH

NO.	Specs	Function
F23	10A	Seat Heat Relay-RH
F24	10A	PEB
F25	15A	BCM
F26	-	-
F27	5A	BCM, EVP Relay, Front Breath Lamp
F28	-	-
F29	-	-
F30	10A	BCM, SCU, Instrument Pack, ADM, FVCM, Front Radar

Bulb Replacement

Bulb Specification

Lamp Bulb	Specifications
Headlamp High/Low Beam	HB3LL 60W
Front Direction Indicators	PY21W 21W
Front Side Light/Daytime Running Lamp	LED
Rear Side Light	W5W 5W
Reverse Lamps	W16W 16W
Rear Fog Lamps	P21W 21W

Lamp Bulb	Specifications
Stop Lamp/Rear Side Light	W21/5W 21/5W
License Plate Lamps	W5W 5W
Rear Direction Indicators	WY16W 16W
High Mounted Stop Lamp	LED
Interior Lamp	W5W 5W
Load Space Lamp	C10W 10W
Side Repeater lamp	WY5W 5W

Note: Bulb HB3LL is consistent with bulb HB3 in shape and structure, and is only superior in reliability and service life.

Note: MG only recommends replacement bulbs that completely meet the manufacturers specifications.

EMERGENCY INFORMATION

Bulb Replacement

Before replacing any bulb, turn off the lighting switch to avoid any possibility of a short circuit.

Note: *Only replace bulbs with the same type and specification.*

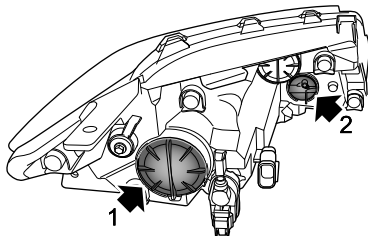
Take care NOT to touch the glass with your fingers; always use a cloth to handle the bulb. If necessary, clean the glass with methylated spirits to remove fingerprints.

If in doubt, when replacing bulbs, contact an MG Authorised Repairer.

For other bulbs not listed and to be replaced, ask an MG Authorised Repairer for help.

High/Low Beam Headlamp Bulb Renewal

- 1 Open the bonnet—see “Bonnet” in the “Maintenance” section.
- 2 Disconnect the battery negative terminal.
- 3 Identify and locate the headlamp bulb cover plug (1). Rotate the cover anti-clockwise and remove the cover plug.



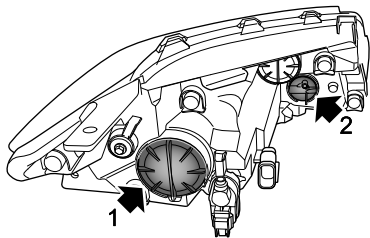
- 4 Rotate the bulb anti-clockwise and remove.
- 5 Remove the wiring connector from the bulb.
- 6 Refit the wiring connector to the new bulb.

EMERGENCY INFORMATION

- 7 Locate the bulb in the lamp, rotate clockwise until fully secured.
- 8 Locate the cover plug, rotate clockwise until fully secured.
- 9 Connect the negative battery terminal.
- 10 Test headlamp operation.
- 11 Close the bonnet—see “Bonnet” in the “Maintenance” section.

Front Direction Indicator Bulb Renewal

- 1 Open the bonnet—see “Bonnet” in the “Maintenance” section.
- 2 Disconnect the battery negative terminal.
- 3 Identify and locate the front indicator bulb holder (2). Rotate the bulb holder anti-clockwise and remove.



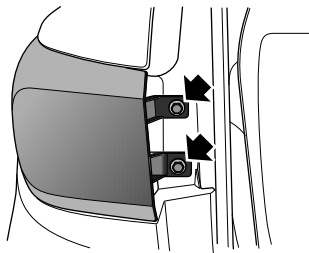
- 4 Remove the bulb from the holder.
- 5 Install the new bulb into the holder.

EMERGENCY INFORMATION

- 6 Locate the bulb holder in the lamp, rotate clockwise until fully secured.
- 7 Connect the negative battery terminal.
- 8 Test lamp operation.
- 9 Close the bonnet—see “Bonnet” in the “Maintenance” section.

Rear Stop/Tail Lamp Bulb Renewal

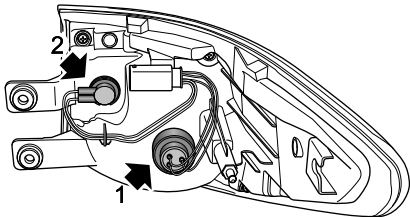
- 1 Open the tailgate.
- 2 Disconnect the battery negative terminal.
- 3 Using a suitable pry bar or lever, carefully release and remove the securing screw cover trim.
- 4 Using a suitable 10 mm spanner/socket wrench, remove the 2 screws securing the lamp to the body.



- 5 Remove the wiring connector. Release the lamp assembly and remove away from the body.

EMERGENCY INFORMATION

- 6 Rotate the bulb holder (1) in an anti-clockwise direction.



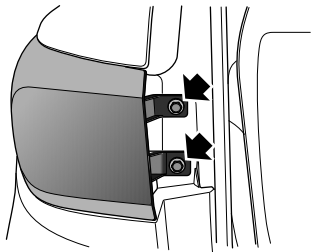
- 7 Remove bulb holder and remove bulb.
- 8 Fit new bulb to bulb holder.
- 9 Insert bulb holder in lamp assembly, rotate clockwise until fully secure.
Ensure lamp seal is correctly located.
- 10 Position lamp to body, refit the wiring connector, start both screw fixings, and tighten to 3-5Nm.
- 11 Refit screw cover trim.

- 12 Reconnect battery negative terminal.
- 13 Test lamp operation.
- 14 Close tailgate.

EMERGENCY INFORMATION

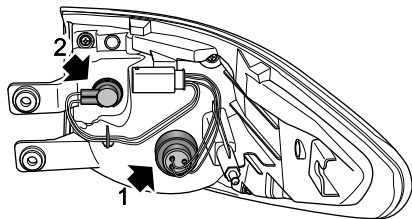
Rear Direction Indicator Bulb Renewal

- 1 Open the tailgate.
- 2 Disconnect the battery negative terminal.
- 3 Using a suitable pry bar or lever, carefully release and remove the securing screw cover trim.
- 4 Using a suitable 10 mm spanner/socket wrench, remove the 2 screws securing the lamp to the body.



- 5 Remove the wiring connector. Release the lamp assembly and remove away from the body.

- 6 Rotate the bulb holder (2) in an anti-clockwise direction.



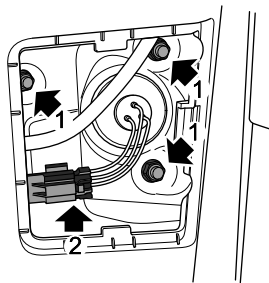
- 7 Remove bulb holder and remove bulb.
- 8 Fit new bulb to bulb holder.
- 9 Insert bulb holder in lamp assembly, rotate clockwise until fully secure.
- 10 Ensure lamp seal is correctly located.
- 11 Position lamp to body, refit the wiring connector, start both screw fixings, and tighten to 3-5Nm.
- 12 Refit screw cover trim.

EMERGENCY INFORMATION

- 13 Reconnect battery negative terminal.
- 14 Test lamp operation.
- 15 Close tailgate.

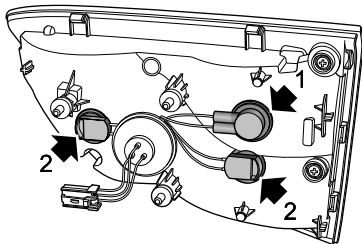
Reverse Lamp Bulb Renewal

- 1 Open the tailgate.
- 2 Disconnect the battery negative terminal.
- 3 Using a suitable pry bar or lever, carefully remove the cover trim.
- 4 Using a suitable 10 mm spanner/socket wrench, remove the 3 screws (1) securing the lamp to the tailgate. Remove the wiring connector (2). Release the lamp assembly and remove away from the body.



EMERGENCY INFORMATION

- 5 Rotate the bulb holder (1) in an anti-clockwise direction.



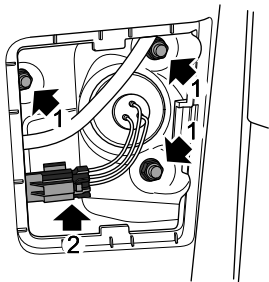
- 6 Remove bulb holder and remove bulb.
- 7 Fit new bulb to bulb holder.
- 8 Insert bulb holder in lamp assembly, rotate clockwise until fully secure.
- 9 Ensure lamp seal is correctly located.
- 10 Position lamp to tailgate, refit the wiring connector and the screw fixings, and tighten to 3-5Nm.
- 11 Refit screw cover trim.

- 12 Reconnect battery negative terminal.
- 13 Test lamp operation.
- 14 Close tailgate.

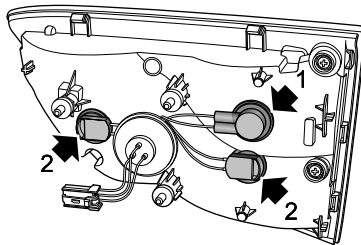
EMERGENCY INFORMATION

Rear Side Light Bulb Renewal

- 1 Open the tailgate.
- 2 Disconnect the battery negative terminal.
- 3 Using a suitable pry bar or lever, carefully remove the cover trim.
- 4 Using a suitable 10 mm spanner/socket wrench, remove the 3 screws (1) securing the lamp to the tailgate. Remove the wiring connector (2). Release the lamp assembly and remove away from the body.



- 5 Rotate the bulb holder (2) in an anti-clockwise direction.



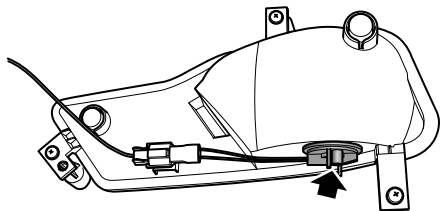
- 6 Remove bulb holder and remove bulb.
- 7 Fit new bulb to bulb holder.
- 8 Insert bulb holder in lamp assembly, rotate clockwise until fully secure.
- 9 Ensure lamp seal is correctly located.
- 10 Position lamp to tailgate, refit the wiring connector and the screw fixings, and tighten to 3-5Nm.
- 11 Refit screw cover trim.

EMERGENCY INFORMATION

- 12 Reconnect battery negative terminal.
- 13 Test lamp operation.
- 14 Close tailgate.

Rear Fog Lamp Bulb Renewal

- 1 Disconnect the battery negative terminal.
- 2 Rotate the bulb holder in an anti-clockwise direction.



- 3 Remove bulb holder and remove bulb.
- 4 Fit new bulb to bulb holder.
- 5 Insert bulb holder in lamp assembly, rotate clockwise until fully secure.
- 6 Reconnect battery negative terminal.
- 7 Test lamp operation.

Note: Rear fog lamp bulb must be disassembled after the exhaust has cooled.

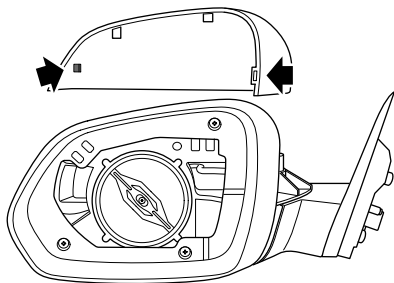
License Plate Lamp Bulbs Renewal

- 1 Disconnect the battery negative terminal.
- 2 Using a suitable pry bar or lever, insert the tool between the lamp lens and rear bumper lamp aperture (protect the paintwork using masking tape and use the N/S gap).
- 3 Carefully lever the lamp out of the aperture.
- 4 Release the bulb from the bulb holder.
- 5 Insert the new bulb in the lamp bulb holder.
- 6 Position the lamp in the bumper lamp aperture, push until fully secured.
- 7 Connect battery negative terminal.
- 8 Test lamp operation.

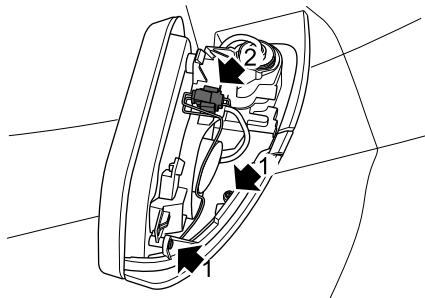
Side Repeater Bulb Renewal (Mirror)

- 1 Disconnect the battery negative terminal.
- 2 Remove the door mirror glass by manually tilting the glass upwards, use a suitable plastic lever at the base of the glass and lever outwards releasing the glass retaining clips (take great care not to damage the paint work).
- 3 Disconnect the electrical connector and remove the exterior door mirror glass.
- 4 Release the 2 clips fixing the cover onto the exterior door mirror assembly.

EMERGENCY INFORMATION



- 5 Remove the exterior mirror cover.
- 6 Remove 2 screws (1) securing the side direction indicator lamp onto the exterior door mirror assembly.



- 7 Disconnect the connector (2) and remove the side direction indicator lamp.
- 8 Remove the rubber bulb holder from the lamp assembly (pull from lamp) .
- 9 Remove bulb from holder.
- 10 Fit bulb to bulb holder-push fit.

- 11 Position bulb holder into lamp assembly and push fully into position.
- 12 Position the lamp assembly on the exterior door mirror assembly, fit and tighten 2 screws.
- 13 Reconnect the electrical connector.
- 14 Locate the exterior door mirror cover on the mirror assembly, carefully push the cover until it clips to place.
- 15 Reconnect the electrical connectors to the door mirror glass.
- 16 Position the glass onto the exterior door mirror motor body.
- 17 Using even hand pressure, press the glass onto the motor until it clips into place.
- 18 Refit the exterior mirror glass.
- 19 Connect battery negative terminal.
- 20 Test lamp operation.

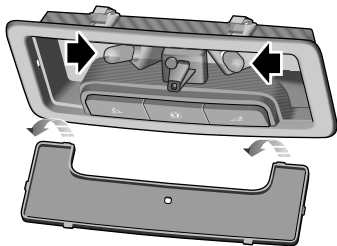
Note: *The side repeater lamp unit is sealed to the mirror assembly, this will be compromised by removal. It is necessary for fresh sealant to be used if this is*

disturbed. Please consult an MG Authorised Repairer for assistance.

EMERGENCY INFORMATION

Interior Lamp Bulb Renewal

- 1 Disconnect the battery negative terminal.
- 2 Use a suitable tool or small flat bladed screwdriver to gently prise front end of the lens, and remove the lens.



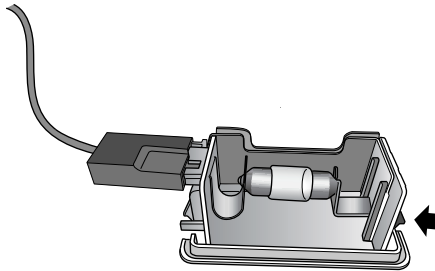
- 3 Pull the bulb from its mounting to remove.
- 4 Install new bulb.
- 5 Install the lens, locate the two prongs at the front of the lens and then carefully flex the lens to locate the two prongs at the rear of the lens into the lamp

assembly. Push the lens upwards until it 'clicks' into position

- 6 Connect battery negative terminal.
- 7 Test lamp operation.

Load Space Lamp Bulb Renewal

- 1 Disconnect the battery negative terminal.
- 2 Insert a suitable tool or small flat bladed screwdriver into the indent on one of the narrow sides of the lens and carefully remove the unit from its location.



- 3 Pull the bulb from its mounting to remove.
- 4 Install new bulb.
- 5 Refit the unit, push until fully secured.

- 6 Connect battery negative terminal.
- 7 Test lamp operation.

Maintenance

280 *Maintenance*

283 *Bonnet*

285 *Front Compartment*

286 *Cooling System*

288 *Brake*

290 *Battery*

292 *High Voltage Battery Pack*

294 *Washers*

296 *Wipers*

299 *Tyres*

304 *Cleaning and Vehicle Care*

MAINTENANCE

Maintenance

Routine Servicing

The safety, reliability and performance of your car will depend partly on how well it is maintained. You must ensure that maintenance is carried out when required and according to the information contained in the "Service Schedule".

Servicing

For next service information, please refer to "Message Centre" in "Instruments and Controls" chapter or information related to entertainment system. After the completion of each service, the next service display will be reset by MG Authorised Repairer.

Note: If a service is not carried out (or the display is not reset by the local MG Authorised Repairer after service), the service display cannot provide correct information.

Service History

Ensure MG Authorised Repairer registers the Service History after each service.

Brake Fluid Replacement

Replace the brake fluid according to the information contained in the "Service Schedule".

Note: Brake fluid replacement will be an additional cost.

Coolant Replacement

The coolant (anti-freeze and water solution) needs to be replaced according to the information contained in the "Service Schedule".

Note: Coolant replacement will be an additional cost.

Owner Maintenance



Any significant or sudden drop in fluid levels, or uneven tyre wear, should be reported without delay to MG Authorised Repairer.

In addition to the routine services referred to previously, a number of simple checks must be carried out more frequently. Advice is given on the pages that follow.

Daily Check

- Operation of lights, horn, wipers, washers and warning lamps.
- Operation of seat belts and brakes.
- Look for fluid deposits underneath the car that might indicate a leak.
- Check tyre appearance.

Weekly Check

- Coolant level.
- Brake fluid level.
- Windscreen washer fluid level.
- Operate air conditioning.

Special Operating Conditions

If your car is frequently used in dusty conditions, or operated in extreme climates where sub-zero or very high ambient temperatures are normal, more frequent attention may need to be paid to servicing requirements. You need to carry out special maintenance operations (refer to Service Schedule) or contact MG Authorised Repairer.

Safety in the Garage



Cooling fans may commence operating after the vehicle is switched off, and continue operating for a number of minutes. Keep clear of all fans while working in the front motor compartment

If you need to carry out maintenance, observe the following safety precautions at all times:

- If the car has been driven recently, **DO NOT TOUCH** cooling system components until the drive motor has been fully cooled down.

MAINTENANCE

- DO NOT TOUCH electrical leads or components when the ignition is switched on.
- DO NOT work underneath the car with a wheel changing jack as the only means of support.
- Wear protective clothing and work gloves.
- Remove watches and jewelry before working in the engine compartment.
- DO NOT allow tools or metal parts of the car to make contact with the battery leads or terminals.

Toxic Liquid

Fluids used in motor vehicles are poisonous and should not be consumed or brought into contact with open wounds. These include: battery acid, coolant, brake fluid and windscreen washer fluid.

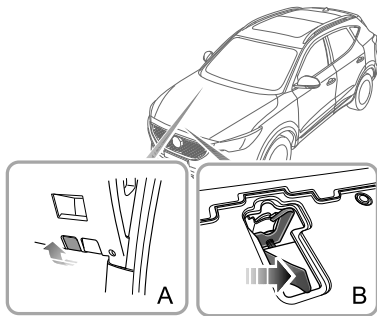
For your own safety, ALWAYS read and obey all instructions printed on labels and containers.

Bonnet

Opening the Bonnet



DO NOT drive when the bonnet is not closed or retained only by the safety catch.



- 1 From the inside of the vehicle, pull the bonnet release handle (Figure A).

- 2 Move the safety catch release handle on the bonnet lock assembly in the direction of the arrow (Figure B) to release the bonnet safety catch.
- 3 Raise the bonnet and hold it up with the support rod firmly.

Closing the Bonnet

Support the bonnet by one hand, release the support rod using the other hand, and place it firmly into the support rod base. Then hold the bonnet using both hands and lower it, allowing it to drop for the last 20 cm ~ 30 cm to fully close the bonnet.

By attempting to lift the front edge of the bonnet, check if the lock is fully engaged after closing the bonnet. If it is not fully engaged, you must repeat the operation.

Bonnet Open Warning

If the bonnet is not fully engaged, when the vehicle power system is in the ON/READY position, the corresponding alarm icon (refer to "Warning Information" in "Instruments and Controls" chapter) will be displayed in the information message centre of the instrument pack. If it is detected that

MAINTENANCE

the bonnet is not fully engaged whilst driving, an audible warning will sound.

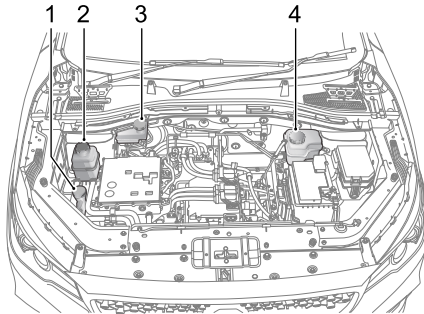
IMPORTANT

- For safety reasons, the bonnet should be fully latched and secure when driving. Therefore every time the bonnet is opened, you must check after closing that the bonnet is securely latched, e.g. the bonnet edge is flush with the body of the car.
- You should stop the car immediately when safety permits and close the bonnet if it is not closed fully when driving.
- Beware of injury to hands while fully closing the bonnet with a downward force.

Front Compartment



While working in the front compartment, always observe the safety precautions listed under 'Safety in the Garage', refer to 'Maintenance' in 'Maintenance' section.



- 1 Washer fluid reservoir (blue cap)
- 2 Battery Coolant Expansion Box (black cap)
- 3 Brake fluid reservoir (yellow cap)
- 4 EDS (Electric Drive System) Coolant Expansion Box (black cap)

MAINTENANCE

Cooling System

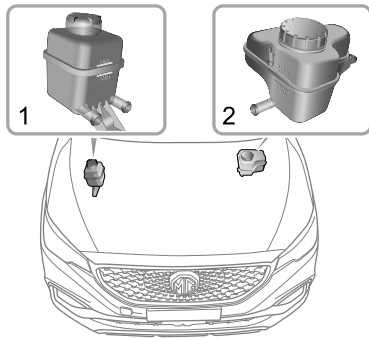


DO NOT remove the coolant pressure cap when the cooling system is hot - escaping steam or hot coolant could cause serious injury.

Note: Prevent coolant coming into contact with the vehicle body when topping up. Coolant will damage paint.

If the coolant level falls appreciably during a short period, and you suspect that there may be a leak, please seek for an MG Authorised Repairer for service.

Coolant Check and Top Up



- 1 Battery Coolant Expansion Tank
- 2 EDS Coolant Expansion Tank

The cooling system should be checked weekly when the cooling system is cold and with the car resting on level ground. Open the bonnet to check the coolant level. If the coolant level is below "MIN" mark, open the coolant

expansion tank cap and top up coolant. But the level shall not be higher than "MAX" mark.

Coolant Specification



Coolant is poisonous and can be fatal if swallowed - keep coolant containers sealed and out of the reach of children. If accidental contact of coolant by children is suspected, seek medical assistance immediately.



Prevent the coolant coming into contact with the skin or eyes. If this occurs, rinse immediately with plenty of water. If eyes are still red, painful or uncomfortable, seek medical attention immediately.

Please use the coolant (mix of water and antifreeze) which is recommended and certified by MG Motor. Please refer to 'Recommended Fluids and Capacities' in "Technical Data" chapter.

Note: In an emergency, top up the coolant expansion tank with a small amount of clean water, but be aware of the resultant reduction in frost protection.

Note: The addition of corrosion inhibitors or other additives to the cooling system of this car may severely disrupt the efficiency of the system and cause electric drive unit damage. For cooling system issues please consult an MG Authorised Repairer.

MAINTENANCE

Brake

Brake Pads



DO NOT rest your foot on the brake pedal while driving; this may overheat the brakes, reduce their efficiency and cause excessive wear.

For the first 900 miles (1500 km), you should avoid situations where heavy braking is required.

Remember that regular servicing is vital to ensure that all the brake components are examined for wear at the correct intervals, and replaced when required to ensure long term safety and optimum performance during the interval described in Service Portfolio.

The car needs to run in for 500 miles (800 km) after the brake pad or disc is replaced.

Brake Fluid Check and Top Up



Brake fluid is highly toxic, keep containers sealed and out of the reach of children. If accidental contact of brake fluid is suspected, seek medical attention immediately.

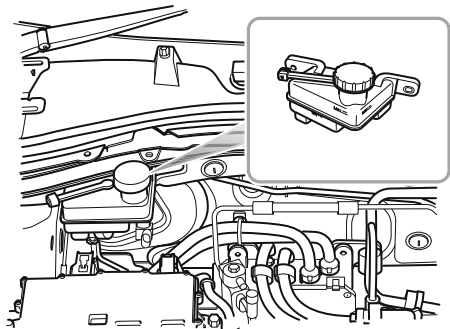


Prevent brake fluid coming into contact with the skin or eyes. If this occurs, rinse immediately with plenty of water. If eyes are still red, painful or uncomfortable, seek medical attention immediately.

The brake fluid level should be checked weekly when the system is cold and with the car on level ground.

The fluid level can be seen through the reservoir and should be maintained between 'MAX' and 'MIN' mark.

Note: Do not allow the level to drop below the 'MIN' mark or rise above 'MAX' mark.



Brake Fluid Specification

Use the brake fluid recommended and approved by the manufacturer. Refer to "Recommended Fluids and Capacities" in the "Technical Data" section.

IMPORTANT

Replace brake fluid regularly according to the Service Portfolio.

Note: Brake fluid will damage painted surfaces. If you accidentally spill the brake fluid on the painted surface, soak up any spillage with an absorbent cloth immediately and wash the area with water or car shampoo.

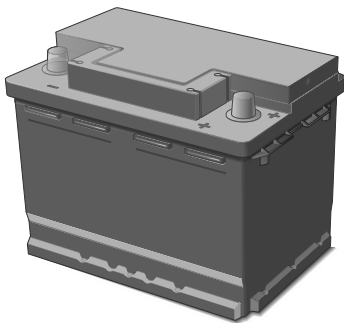
MAINTENANCE

Battery

Battery Maintenance



DO NOT leave electric components switched on when the vehicle power system is not in the **READY** mode, the battery may become flat and you will not be able to operate the vehicle power system.



The battery will be visible after the front compartment lid is opened. The battery is maintenance-free, therefore there is no need to refill fluid.

Note: *If the vehicle is stored for more than 1 month, remove the negative terminal from the battery. Make sure that the vehicle power system has been turned off before connecting or disconnecting the negative terminal.*

Battery Replacement



The battery contains sulphuric acid, which is corrosive.

The battery contains sulphuric acid, which is corrosive. Please go to an MG Authorised Repairer to remove and refit the battery. Only fit a replacement battery of the same type and specification as the original to maintain the correct vehicle functionality.



The used battery should not be discarded at will, for it is harmful to the environment. It must be recycled by

professional institutes. Please consult an MG Authorised Repairer for more details.

MAINTENANCE

High Voltage Battery Pack

Precautions and restricted conditions for use of battery



If the vehicle is not going to be used, parked, or stored for a long time it is necessary to charge the vehicle at least once every 3 months. During this time, the High Voltage battery state of charge should not be allowed to drop below 50%.



*If the battery is in a low state of charge and the instrument pack displays '—' this indicates that the range is below 10 miles (15km), in this case the vehicle **MUST NOT** be left in a stored state for more than 7 days without being charged to above 50%.*



Failure to follow these guidelines will result in HV battery damage and invalidate the warranty.



DO NOT attempt to dismantle the battery pack or any High Voltage components - THESE ARE DANGEROUS. Any signs of dismantling or damage caused by attempts to dismantle will invalidate the warranty.

- 1 DO NOT park the vehicle in conditions where the ambient temperature exceeds 45 C for more than 15 days. This will effect the performance and service life of the high voltage battery.
- 2 To maintain or improve the service life of the high voltage battery, it is recommended that you use a slow charging method wherever possible, rapid charging should only be used for long distance journeys or emergencies.
- 3 It is recommended using the vehicle at least once a month.

Where possible it is recommended that you carry out a 9-hour slow charge every month to extend the service life of high-voltage battery pack. The battery management system will monitor the status of the high- voltage battery pack; after monitoring

for a period of time, if an equalizing charge has not been carried out for some time the message centre in the instrument pack will display 'Please Slow Charger the Vehicle'. At this time you must carry out an equalizing charge. For operation mode, please refer to 'Equalisation Charging' in 'Starting & Driving' section.

- 4 In the event of an accident, damage to the high voltage battery or any of its related components, or any repairs made to the high voltage system the car must be inspected by qualified personnel at an MG Authorised Repairer.
- 5 In the event of any accident or body repairs being required please consult the qualified personnel at an MG Authorised Repairer. The repair may require high voltage battery isolation or specialist HV component removal.

IMPORTANT

Only fully trained and qualified personnel are allowed to work on the high voltage systems and components of this vehicle. Any disassembly of such systems or components is strictly prohibited.

MAINTENANCE

Washers

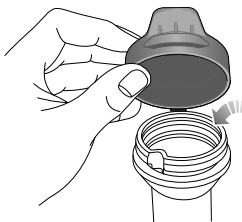
Windscreen Washer Check and Top Up



When filling the washer fluid, DO NOT let the washer fluid spill on parts in the compartment or on the paint surface of vehicle body. In case the washer fluid is spilled on hands or other parts of the body, please immediately wash with clean water.

Check the washer fluid level every week. When the level of washer fluid is low, please top up the washer fluid as instructed.

Note: *DO NOT use anti-freeze or vinegar/water solution in the washer reservoir - anti-freeze will damage paintwork while vinegar will damage the washer pump.*



IMPORTANT

- Use the washer fluid recommended and certified by the manufacturer. Misuse of washer fluid in winter may cause damage to the washer pump due to freezing.
- Using the washers when there is no washer fluid may cause damage to the washer pump.
- Operating the wipers when the windshields are dry and there is no washer fluid may cause damage to the windshields and wipers. Please spray the washer fluid and start the wipers when there is adequate washer fluid.

Washer Nozzles

Operate the washers periodically to check that the nozzles are clear and properly directed.

If the nozzle is obstructed, insert a needle or thin metal wire into the hole to remove the obstruction.

Washer Fluid Specification

Use the washer fluid recommended and certified by the manufacturer. Refer to 'Recommended Fluids and Capacities'.

MAINTENANCE

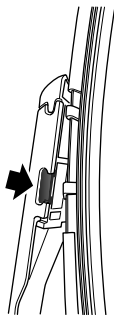
Wipers

Wiper Blades

IMPORTANT

- Grease, silicon and petrol based products impair the blade's wiping capability. Wash the wiper blades in warm soapy water and periodically check their condition.
- Clean the windscreen frequently, DO NOT use wipers to remove stubborn or ingrained dirt, it will reduce their effect and their life span.
- If signs of hardness or cracking in the rubber are found, or if the wipers leave streaks or unwiped areas on the screen, then the wiper blades should be replaced.
- Clean the windscreen regularly with an approved glass cleaner and ensure the screen is thoroughly cleaned before fitting replacement wiper blades.
- Only fit replacement wiper blades that are identical to the original specification.
- Clean ice and snow from around wipers and ensure they are not frozen or otherwise sticking to the windscreen before attempting to operate them.

Replacing Front Wiper Blades

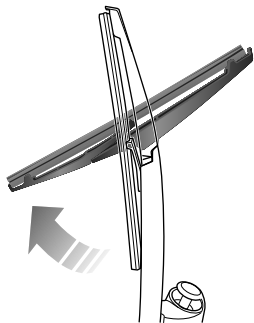


- 1 With the bonnet in closed state, and within 20 seconds of switching the vehicle power system to the OFF position, operate the wiper stalk switch by pressing down and release, the wipers will enter the 'service position' and stop on the windscreen.
- 2 Lift the wiper arm away from the windscreen.
- 3 Press the retaining clips at both sides (as shown in the figure), whilst pulling the wiper blade outward, to remove the wiper blade from the wiper arm and discard.
- 4 Position the fitting of the new wiper blade into the slot of the wiper arm.
- 5 Push the wiper blade towards the wiper arm until it is located embedded with a click been heard.
- 6 Place the wiper assembly back on the windscreen.
- 7 Operate the wiper stalk switch by pressing down again and release, or set the vehicle power mode to ON, the wiper will exit the service mode and automatically return to its original position.

MAINTENANCE

Replacing Rear Wiper Blades

4 Place the wiper assembly back on the rear window.



- 1 Lift the wiper arm away from the rear window.
- 2 Rotate the wiper blade as shown in the figure, to remove it from the wiper arm and discard.
- 3 Position the fitting of the new wiper blade into the slot of the wiper arm. Ensure the wiper blade is properly secured on the wiper arm.

Tyres

Overview

- Take extra care when using new tyres for the first 300 miles (500 kilometers).
- Avoid excessive cornering at speed.
- Slow down when passing through road shoulder or a similar section, and allow the wheels to go through the shoulder at the right angle as far as possible.
- Regularly check the damage of tyres (stabs, scratches, cracks and pits) and remove any foreign objects from the tread.
- Prevent the tyre from contacting oil, grease and fuel.
- Ensure valve caps are always fitted.
- If the tyre is to be removed always mark the tyre/wheel orientation to ensure correct reinstallation.
- The wheels or tyres that have been disassembled should be kept in a cool, dry and light-free place.

New Tyres

New tyres may not have the best adhesive ability at the beginning. Therefore, driving your vehicle at moderate

speed and in a prudent way at the first 300 miles (500 kilometers), which is also beneficial to the service life of the tyres.

The damage of tyre or rim may happen unnoticed. If abnormal vibration or handling is experienced, that means the tyre or rim may have been damaged. Please slow down and park your vehicle in absolute safety, then check the tyre and rim. If you can't see the damage from the outside, you should continue to drive with low speed and go to the nearest MG Authorised Repairer for inspection.

Directional Tyres

Directional tyres are marked with 'direction of rotation' (DOR). To maintain handling characteristics, tyre performance, low road noise and extend tyre life, tyres must always be fitted with indication arrow showing the correct 'DOR'.

Tyre Life

Correct tyre pressure and moderate driving style can extend tyre life.

Recommendations:

MAINTENANCE

- If the vehicle is to be stored for a lengthy time, please move your vehicle at least once in two weeks to 'rotate the tyres'.
- Check the pressure of tyres regularly when they are cold.
- Avoid cornering at excessive speed.
- Regularly check tyres for abnormal wear patterns.

These following factors may affect the tyre life.

Tyre Pressure

Incorrect pressure will cause the abnormal wear of the tyre, greatly shorten the service life, and have an adverse effect on the driving characteristics of the vehicle. Tyre pressure should be checked at least once a month, and once prior to each long-distance journey.

Driving Style

Excessively harsh acceleration and braking or driving at high speed whilst cornering will increase the wear of tyre.

Wheel Balance

The balance of wheels and tyres are well tested before a new vehicle comes out of the factory. But the wheels may be out of balance due to many factors.

If wheels are out of balance, shaking or vibration of the steering mechanism may occur and the tyres may start to wear excessively. It is important to rectify this quickly. Each wheel should be rebalanced after installing a new tyre or having a tyre repair.

Wheel Alignment

Incorrect wheel alignment can cause excessive tyre wear and affect vehicle safety. If the tyres show signs of abnormal wear, seek advice from an MG Authorised Repairer.

Caring for Your Tyres



***DEFECTIVE TYRES ARE DANGEROUS!
DO NOT drive if any tyre is damaged, is
excessively worn, or is inflated to an incorrect
pressure.***

Always drive with consideration for the condition of the tyres, and regularly inspect the tread and side walls for any sign of distortion (bulges), cuts or wear.

Note: If possible, protect tyres from contamination by oil, grease and fuel.

Tyre Pressure



Before a long distance journey, the tyre pressure must be checked.

Check the pressure (including the spare wheel) at least once a month, when the tyres are cold.

If it is necessary to check the tyre pressure when they are warm, you should expect the pressure to have increased by 0.3 to 0.4 bar (4.35 to 5.8 psi). In this circumstance, NEVER let air out of the tyres in order to match the recommended pressure (cold).

Valves

Keep the valve caps screwed down firmly - they prevent dirt from entering the valve. Check the valve for leaks (listen for a tell-tale hissing) when you check the tyre pressure.

Punctured Tyres

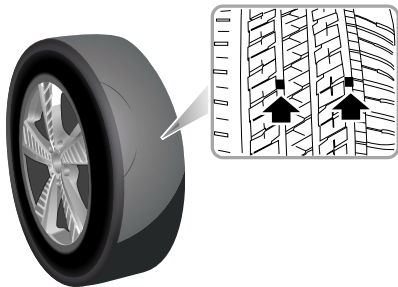
If a sharp object penetrates the tyre and remains in it, the tyre may not leak. If you are aware of this occurring, reduce speed immediately and drive with caution until the spare wheel can be fitted, or repairs undertaken.

Note: If the sidewall of the tyre is damaged or distorted, replace the tyre immediately, DO NOT attempt a repair.

MAINTENANCE

Tyre Wear Indicators

At the bottom of the original tyre tread, there is a 1.6 millimeters high wear mark perpendicular to the wheel rolling direction. These indicators are moulded into the tread pattern at several points around the circumference. A mark on the side of a tyre, such as the upper case letter TWI or the triangle, indicating the position of the wear mark.



When the tread has worn down to 1.6 millimeter, the indicators will come to the surface of the tread pattern, producing the effect of a continuous band of rubber across the width of the tyre.

IMPORTANT

A tyre **MUST** be replaced as soon as a wear indicator becomes visible.

Replacement Tyres

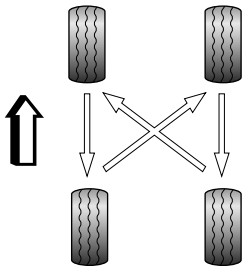


*It is recommended to install the tyres consistent with the original specifications. **DO NOT** replace the tyres with tyres of any other type. Alternative tyres, of a different specification, may adversely affect the vehicle's driving characteristics and safety. In order to make your driving and safety better guarantee, it is suggested that you consult an MG Authorised Repairer.*

Always have replacement wheels and tyres balanced before use.

Wheel Fitment Rotation

It is not recommended that you swap wheels from side to side or front to rear in order to equalise tyre wear. Your vehicle is fitted with Tyre Pressure Monitoring System which means that each wheel is programmed to the relative position.



If you do wish to swap wheels and tyres around on the vehicle please consult an MG Authorised Repairer as extra coding will be required.

Snow Chains

Unsuitable snow chains could damage the tyres, wheels, suspension, brakes or bodywork of your car.

Please pay attention to the following requirements in the usage:

- The tyre/snow chains can only be fitted on the front wheels;
- The thickness of tyre/snow chains should not exceed 15 mm;
- Always adhere to the snow chain fitting and re-tensioning instructions and the speed limitations for varying road conditions;
- DO NOT exceed 30 mph (50 km/h) ;
- To avoid the tyre damage and excessive wear of the tyre/snow chains, the tyre/snow chains must be removed while driving on the road without snow.

Note: *If you drive on the snowy and icy roads, it is recommended to use winter tyres. Consult an MG Authorised Repairer for details.*

MAINTENANCE

Cleaning and Vehicle Care



Observe all safety precautions on cleaning products; do not drink fluids, store safely, keep away from children and avoid contact with the eyes.

Exterior Care

Washing your Car



Ensure the vehicle power system is OFF when washing your car.



Some high pressure cleaning systems will penetrate door, window and sunroof seals, and damage lock mechanisms. DO NOT aim water jets directly at components that might be easily damaged.



Do not clean the front compartment with high pressure water since it may damage the electrical system of the vehicle.

In order to preserve the paint finish on your car, please observe the following care points:

- DO NOT use hot water to wash the car.
- DO NOT use detergents or washing up liquid.
- In hot weather, DO NOT wash the car in direct sunlight.
- When using a hose, DO NOT aim the water directly at window, door or sunroof seals, or through wheel apertures onto the brake components.

If the car is particularly dirty, use a hose to flush grime and grit from the bodywork, prior to washing. Then, wash the car using cold or lukewarm water containing a good quality wash and wax shampoo. Always use plenty of water to ensure that grit is flushed from the surface and not ground into the paintwork. After washing, rinse the bodywork with clean water and dry off with a chamois leather.

Cleaning the underside

Note: DO NOT use a high pressure hose to clean the front compartment – damage to the car's electronic systems may occur.

From time to time, but particularly during winter months when salt has been used on the roads, use a hose to wash the underside of the car. Flush away accumulations of mud and thoroughly clean those areas where debris can easily collect (wheel arches and panel seams, for example).

IMPORTANT

- Avoid cleaning the vehicle in direct sunlight.
- When cleaning the vehicle in winter avoid spraying water directly onto door locks and panel gaps due to risk of icing.
- Do not use rough sponges or cloth to clean the car, this will damage the paintwork finish.
- When cleaning the headlamps do not use a dry cloth or sponge, use only warm soapy water.

Cleaning with a High Pressure Cleaner

Note: Always read the manufacturers operating instructions.

When using high pressure washers, always ensure there is adequate distance between the spray nozzle and any soft materials, decals or rubber seals.

IMPORTANT

- Please pay attention to the operating instructions of high pressure cleaner.
- Soft parts on the vehicle should be kept in a large enough distance from the high pressure cleaner.

DO NOT direct the pressure washer nozzle directly toward the high voltage battery connections on the underside of the vehicle.

Removing tar spots

Use white spirit to remove tar spots and stubborn grease stains from the paintwork. Then wash the area immediately with soapy water to remove all traces of the spirit.

Body Protection

After washing, examine the paintwork for damage. If the damage has revealed bare metal, use a colored primer first,

MAINTENANCE

then apply the correct colour base coat and finish off with a lacquer pencil, if appropriate. Carry out this treatment after washing but before polishing or waxing. More extensive damage to paint or bodywork must be repaired in accordance with the manufacturer's recommendations.

Failure to do this will invalidate the Anti-Corrosion Warranty. If in doubt, ask your MG Authorised Repairer.

Polishing the Paintwork



DO NOT use car polish containing coarse abrasives – these will remove the paint film and damage the gloss finish.

Occasionally treat the paint surface with an approved polish containing the following properties:

- Very mild abrasives to remove surface contamination without removing or damaging the paint.
- Filling compounds that will fill scratches and reduce their visibility.
- Wax to provide a protective coating between the paint and the elements.

Note: If possible, avoid applying polish or wax products to window glass and rubber seals.

Wiper Blades

Wash in warm soapy water. DO NOT use spirit or petrol based cleaners.

Windows and Mirrors

Regularly clean all windows, inside and out, using an approved glass cleaner.

Windscreen:In particular, clean the outside of the screen with glass cleaner after washing the car with wash and wax products, and before fitting new wiper blades.

Rear screen:Clean the inside with a soft cloth, using a side to side motion to avoid damaging the heating elements.

Note: DO NOT scrape or use abrasive cleaners on the inside of the rear screen – this will damage the heating elements.

Mirrors:Wash with soapy water. Use a plastic scraper to remove ice. DO NOT use abrasive cleaning compounds or metal scraper.

Plastic Components

Any plastic components should be cleaned using conventional cleaning methods and not be treated with abrasive materials.

Paint Damage

Any paint damage or stonechips should be treated with suitable paint/lacquer materials immediately to avoid invalidating the Anti Corrosion Warranty.

Weather Strips and Rubber Seals

Any weather strips or rubber aperture seals should be treated with suitable materials (silica gel) if they are cleaned using strong detergents, this should avoid any sticking and maintain the service life of the seal.

Wheels



When cleaning the wheels any materials or water that contact the brake disc directly may effect braking efficiency.

In order to ensure the wheels are kept in optimum condition they should be cleaned regularly. Only use a recommended non-acidic propriety wheel cleaner. Always read the instructions on the product.

MAINTENANCE

Cleaning the Interior

Plastic materials

Clean plastic-faced materials with diluted upholstery cleaner, then wipe with a damp cloth.

Note: DO NOT polish dashboard components – these should remain non-reflective.

Carpet and fabrics

Clean with diluted upholstery cleaner - test a concealed area first.

Leather

Clean leather trim with warm water and a non-detergent soap. Dry and polish the leather with a dry, clean, lint-free cloth.



DO NOT use petrol, detergents, furniture creams or polishes as cleaning agents. Instrument Pack, Audio and Navigation Display

Clean with a dry cloth only. DO NOT use cleaning fluids or sprays.

Airbag Module Covers



DO NOT allow these areas to be flooded with liquid and DO NOT use petrol, detergent, furniture cream or polishes.

To protect damage to the airbag SRS, the following areas should be cleaned sparingly with a damp cloth and upholstery cleaner ONLY:

- Steering wheel centre pad.
- Area of dashboard containing the passenger airbag.
- Area of roof lining and front pillar finishers which enclose the side head impact protection modules.

Seat Belts



DO NOT use bleaches, dyes or cleaning solvents on seat belts.

Extend the belts, then use warm water and a non-detergent soap to clean. Allow the belts to dry naturally; **DO NOT** retract them or use the car until they are completely dry.

Technical Data

312 Technical Data Dimensions

313 Weights

*314 Parameters of High Voltage
Battery*

315 Parameters of Traction Motor

*316 Recommended Fluids and
Capacities*

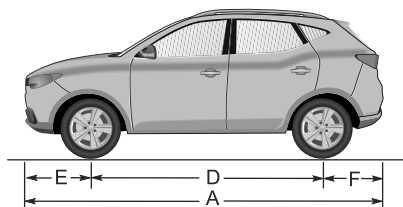
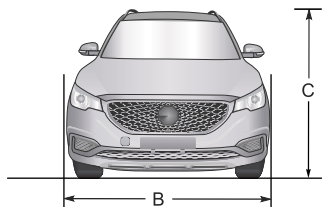
*317 Wheel Alignment (Unladen
Condition)*

317 Wheels and Tyres

317 Tyre Pressure (Cold)

TECHNICAL DATA

Technical Data Dimensions



Item, Units	Parameters
Overall length A, mm	4314
Overall width B, mm	1809
Overall height C (unladen), mm	1620(body height) 1644(with rack)
Wheelbase D , mm	2585
Front Overhang E , mm	913
Rear Overhang F , mm	816
Front Wheel Track , mm	1526

Item, Units	Parameters
Rear Wheel Track , mm	1539
Minimum ground clearance (laden), mm	125
Minimum Turning Diameter , m	11.2

Weights

Item, Units	Parameters
Person in cab, person	5
Unladen vehicle weight (kerb), kg	1491/1532
Gross vehicle weight, kg	1966
Unladen front axle weight, kg	871/892
Unladen rear axle weight, kg	620/640
Gross front axle weight, kg	993
Gross rear axle weight, kg	973

TECHNICAL DATA

Parameters of High Voltage Battery

Item	Parameter Values
Type	Ternary lithium ion battery
Rated Energy, kWh	44.5
Rated Voltage, V	394.2
Weight, kg	283
Waterproof Grade	IP67

Parameters of Traction Motor

Item	Parameter Values
Traction motor type	Three-phase permanent magnet synchronous motor
Continuous Power/Peak Power, kW	68/105
Rated Torque/Peak Torque, Nm	130/353
Rated Speed/Maximum Speed, Rotation/Score	5000/10000
Winding Type	Wave winding/Y
Waterproof Grade	IP67

TECHNICAL DATA

Recommended Fluids and Capacities

Name	Grade	Capacity
Power electronics box/Driving motor coolant , L	Glycol (OAT)	4.8
High-voltage battery pack coolant, L		4.4
Transmission oil, L	Castrol BOT 35I LV	1.3
Brake fluid, L	DOT 4	0.75
Windshield detergent, L	ZY-VIII	4
Air conditioning refrigerant, g	R1234yf	540±20

Wheel Alignment (Unladen Condition)

Item		Parameter
Front	Camber angle	$-0^{\circ}29 \pm 45\phi$
	Castor angle	$3^{\circ}55 \pm 45\phi$
	Toe-in (Total)	$0^{\circ}8 \pm 15\phi$
	King pin inclination	$11^{\circ}50 \pm 45\phi$
Rear	Camber angle	$-1^{\circ}15 \pm 45\phi$
	Toe-in (Total)	$0^{\circ}25 \pm 20\phi$

Wheels and Tyres

Wheel size	7.0J×17
Tyre size	215/50 R17

Note: It is recommended to fit tyres having the same specification to the original tyres.

Note: Alternative tyres, of a different specification, or unqualified tyres may adversely affect the car's driving characteristics and safety. For better guarantee of your safety, we recommend you consult the MG Authorised Repairer.

Tyre Pressure (Cold)

Wheels	Unladen
Front Wheels	230kPa/2.3bar/33psi
Rear Wheels	230kPa/2.3bar/33psi