

SPARE PARTS PRICE-LIST

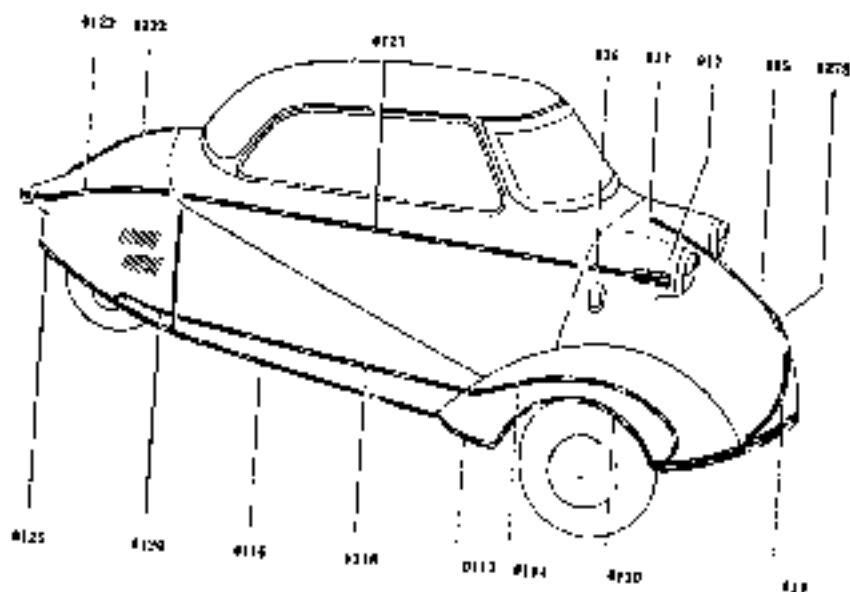
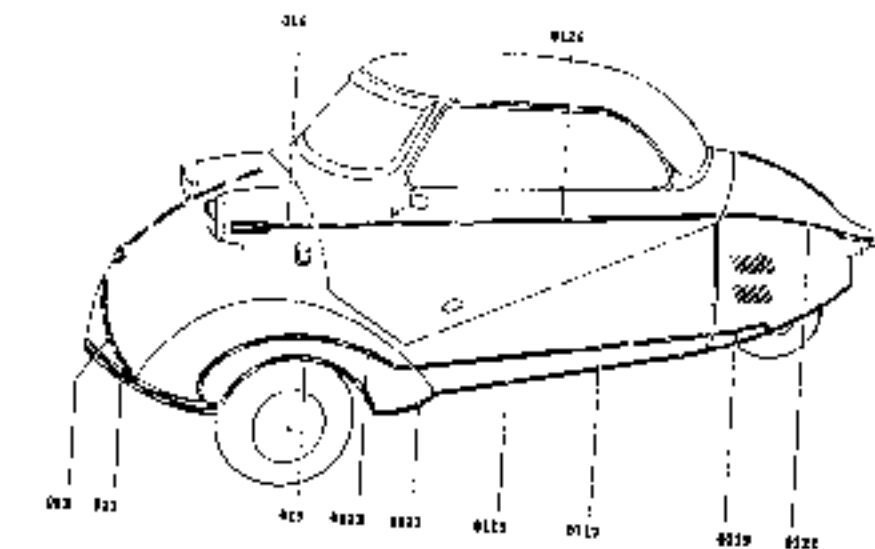
KR 200 / KR 201

MÄRZ 1958

FAHRZEUG- UND MASCHINENBAU GmbH
REGENSBURG

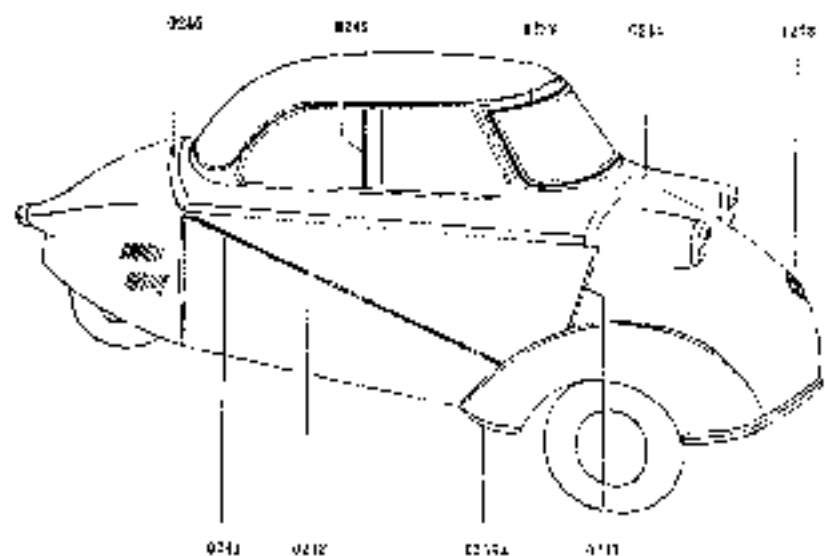
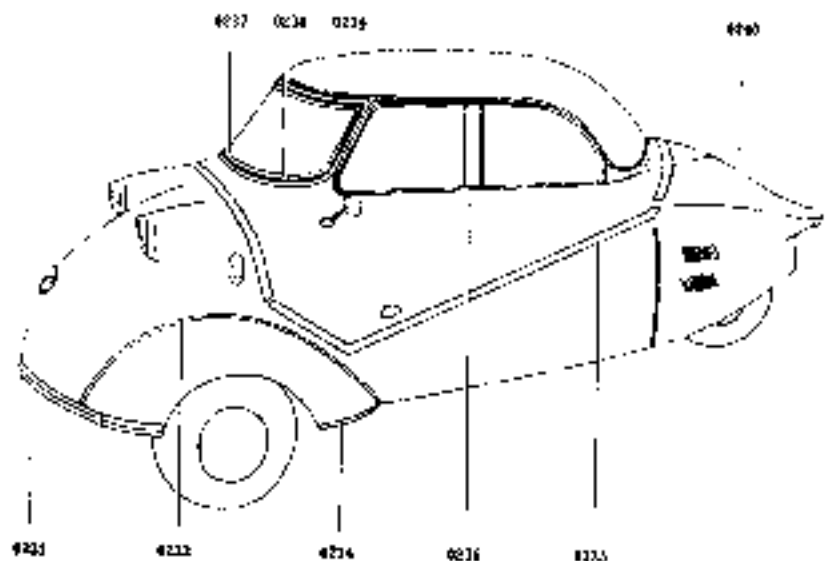
Lilienthalstraße - Telefon 307 73/74 - Fernschreiber 065/852

ASSEMBLY UNIT 01 - DECORATIVE STRIPS

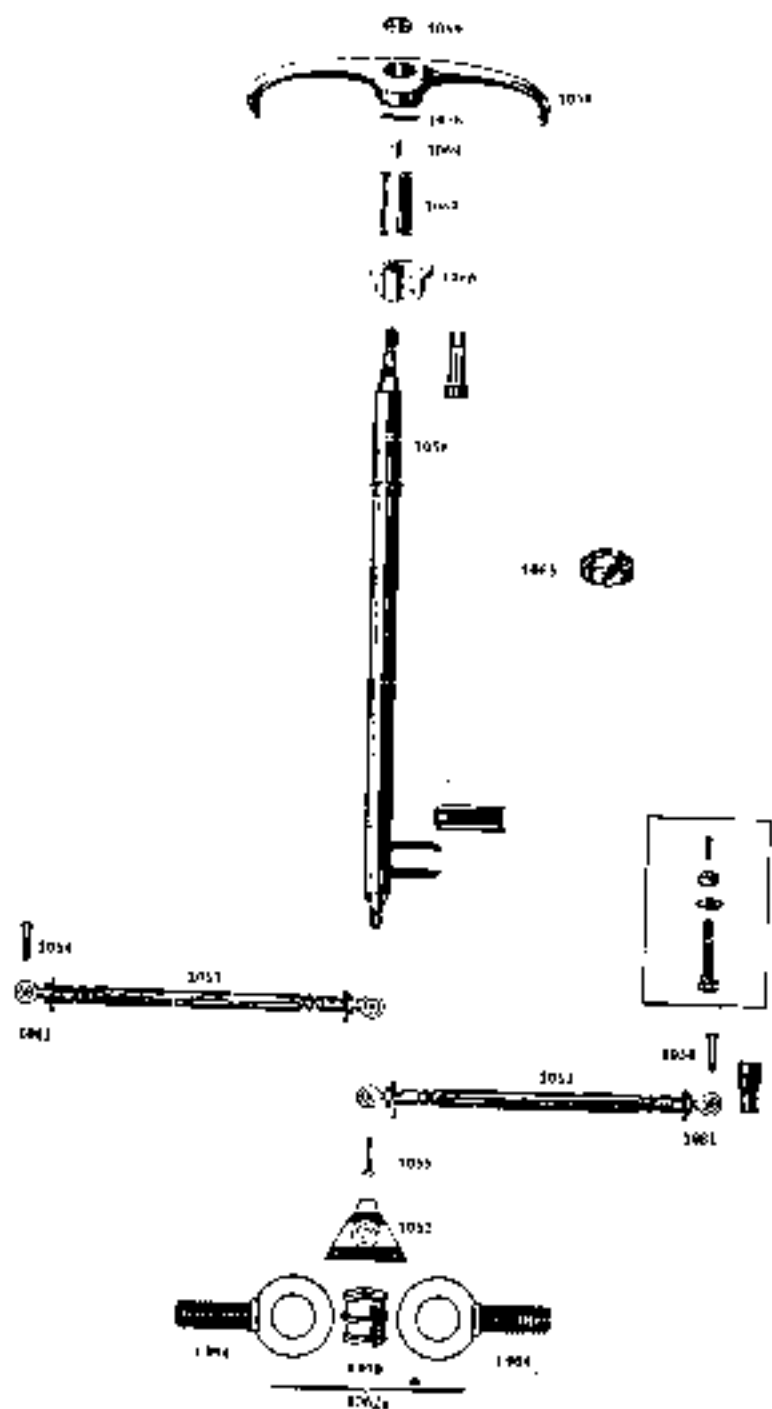


Item No.	Part No.	Name	No. in Unit	Price
011	112-22-0674	Front bumper decoration	1 2	9.55
013	107-10-0117	Bumper decoration, left	1 2	1.20
014	94-0113	Bumper decoration, right	1 2	1.20
015	71-0112	Bumper decoration, centre	1 2	1.55
016	104-71-0109	Decorative strip on headlamp		
		holding, left or right, long	2 2	— .55
017	110-71-0701	Decorative strip on headlamp		
		holding, left or right, short	4 2	.45
019	70-0602	Decorative strip on left front wing	1 2	1.85
0110	70-0602	Decorative strip on right front wing	1 2	1.85
0111	70-0603	Decorative bumper on left front wing	1 2	1.60
0112	70-0704	Decorative bumper on right front wing	1 2	1.60
0113	70-0603	Decorative strip on left front wing	1 2	1.85
0114	70-0703	Decorative strip on right front wing	1 2	1.85
0115	71-0702	Decorative strip on lower shell edge, left	1 2	1.45
0116	71-0702	Decorative strip on lower shell edge, right	1 2	1.45
0117	71-0703	Decorative strip on lower shell, left	1 2	1.75
0118	71-0603	Decorative strip on lower shell, right	1 2	1.75
0119	71-0604	Decorative strip on tail, left	1 2	— .65
0120	71-0704	Decorative strip on tail, right	1 2	.65
012	61-0001	Decorative strip on tail, left, long	1 2	1.25
0122	61-0001	Decorative strip on tail, right, long	1 2	1.25
0123	105-11-0102	Decorative strip on tail, centre	1 2	1.20
0124	104-71-0701	Decorative strip on tail, left or right, short	2 2	— .65
0125	71-0705	Decorative strip on bottom edge of tail	1 2	2.40
0126	50-0405	Decorative strip on outer cabin wall, left	1 2	2.35
0127	50-0405	Decorative strip on inner cabin wall, right	1 2	2.55

ASSEMBLY UNIT 02 - RUBBER GASKETING



Part No.	Qty.	Description	Unit	Price
0231	1	Rubber gasketing around hood front	1	1.70
0232	1	Rubber gasketing around hood rear	1	1.70
0234	2	Rubber gasketing around aluminum wheel flange left and right	2	2.60
0235	2	Rubber gasketing around aluminum wheel flange left and right	2	2.60
0236	2	Rubber gasketing around aluminum wheel flange left and right	2	2.60
0237	1	Rubber gasketing around aluminum wheel flange left and right	1	1.70
0238	1	Rubber gasketing around aluminum wheel flange left and right	1	1.70
0239	1	Rubber gasketing around aluminum wheel flange left and right	1	1.70
0241	1	Rubber gasketing around aluminum wheel flange left and right	1	1.70
0242	1	Rubber gasketing around aluminum wheel flange left and right	1	1.70
0244	1	Rubber gasketing around aluminum wheel flange left and right	1	1.70
0245	1	Rubber gasketing around aluminum wheel flange left and right	1	1.70
0246	1	Rubber gasketing around aluminum wheel flange left and right	1	1.70
0247	1	Rubber gasketing around aluminum wheel flange left and right	1	1.70
0248	1	Rubber gasketing around aluminum wheel flange left and right	1	1.70



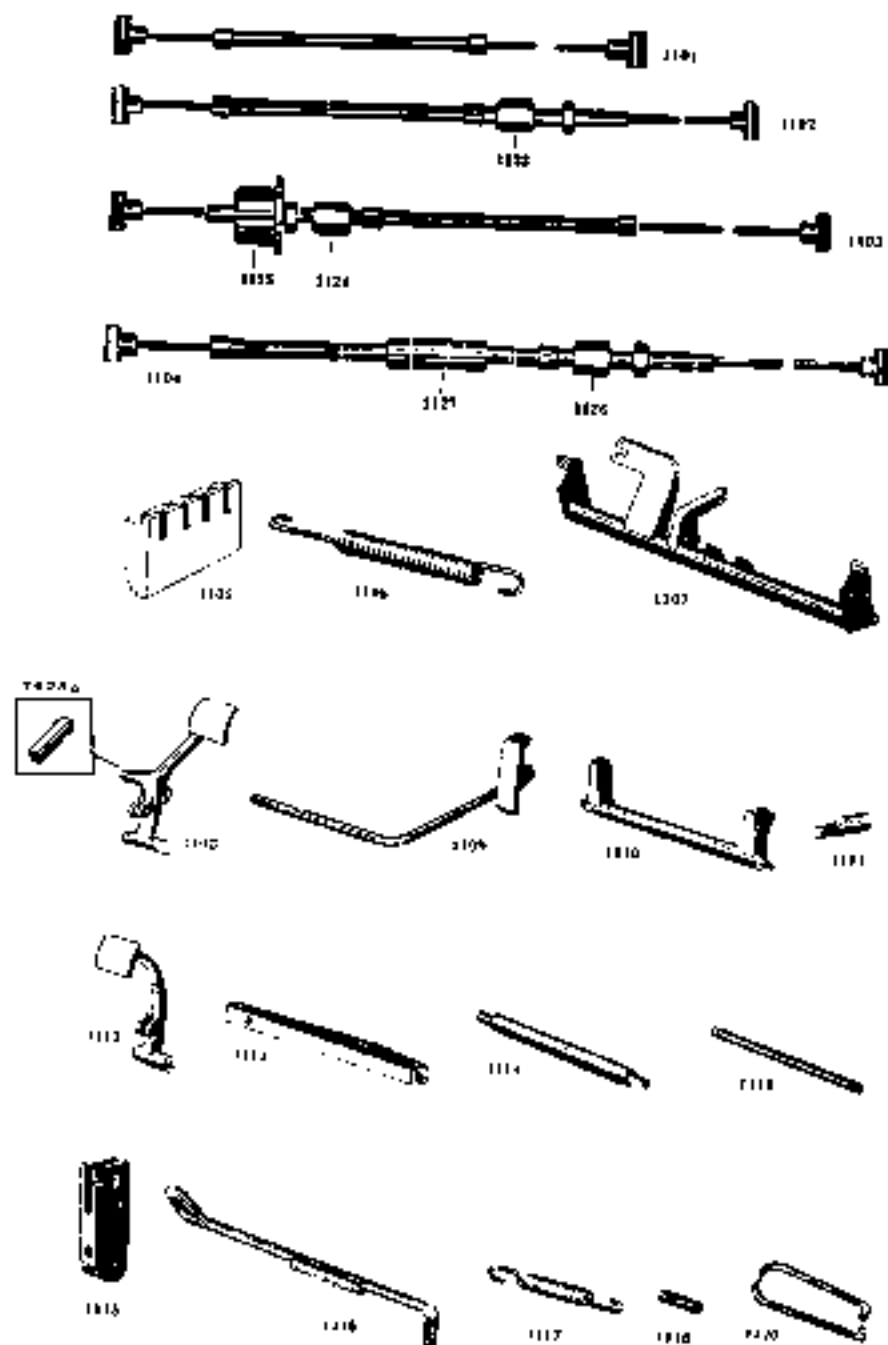
ASSEMBLY UNIT 11 - LOWER COCKPIT SHELL

Part No.	Qty.	Description	Part No.	Qty.
1037	11-0106	Cap for lower pitter		1
1038	11-0107	Supporting part for lower pitter		1
1039	11-0108	Block for lower support		1
1040	11-0109	Bottom plate for lower pitter		1

ASSEMBLY UNIT 12 - STEERING

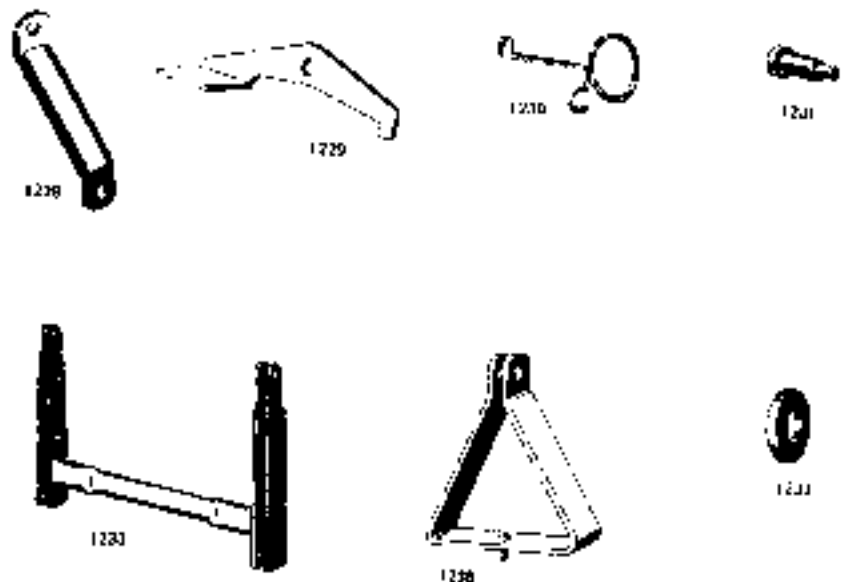
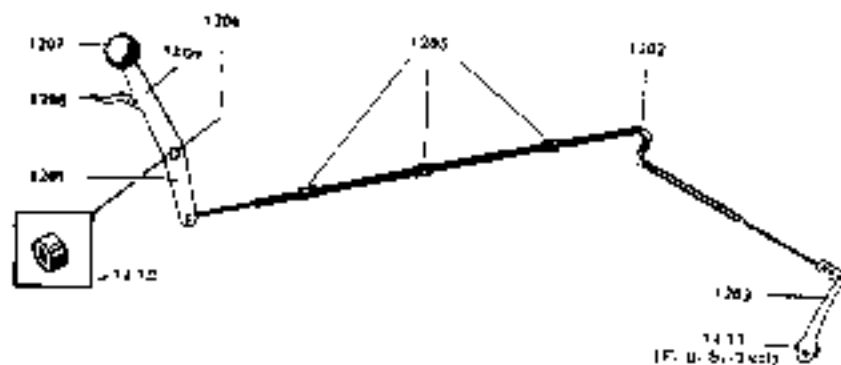
1051	10412-011	Steering column	1	2	12-01
1052	12-02	Block for steering column with bush	1	2	170
1053	2-03	Drag link, left or right complete	2	2	1050
1053a	2-03	Drag link without eye bolt	2		440
1054	12-0036	Eye bolt for drag link, cover	2	2	110
1055	12-0027	Eye bolt for drag link, inner	1	2	110
1056	12-0075	Rubber disc under handlebars	1	2	15
1056	12-0001	Handlebar	1	2	2520
1059	12-0004	Horn button	1	2	700
1061	12-022	Eye bolt, left or right, with Mogi bush right hand thread	2	2	280
1061a		Eye bolt, left or right, with vulcanol bush	2		250
1062a	12-001	Eye bolt with double vulcanol bush	1	2	350
1063	12-0277	Mag. block	2	2	150
1064	2-0425	Vulcanol bush	2		1
1067	10412-0105	Chrome plated frame	1	2	190
1068	12-0104	Steering column bracket	1	2	270
1069	D.H. 0588	Woodruff key	1	2	91
1070	10412-0007	Double vulcanol bush	1	2	90
1071		Eye bolt in eye bolt	1		30
1072		Nut M 14 x 1	1		50

ASSEMBLY UNIT 13 - FOOT-CONTROLS AND HAND-BRAKE



Part No.	Drawing No.	Name	Qty	Part No. (Sheet 2)
1101	14-15-06	Accelerator cable complete	1	Z
1102	13-07	Clutch cable complete	1	Z
1103	13-08	Rear brake cable complete	1	Z
1104	13-09	Front brake cable complete	1	Z
1105	11-0001	Cable separating block	1	Z
1106	13-0004	Spring for accelerator base	1	Z
1107	13-011	Bridge	1	Z
1108	13-012	Foot brake pedal	1	Z
1109a	13-013	Locking pin	1	Z
1109	13-013	Accelerator pedal	1	Z
1110	13-014	Brake shaft, left	1	Z
1111	13-015	Brake shaft, right	1	Z
1112	13-016	Threaded bolt for fork head	1	Z
1113	13-017	Clutch pedal	1	Z
1114	13-018	Hand-brake shift lever	1	Z
1115	13-019	Brake compensating bolt	1	Z
1116	14-0151	Fork head for accelerator cable	1	Z
1117	10360-2404	Return spring for clutch cable	1	Z
1118	10173-0103	Distance piece for bridge 23 mm	1	Z
1119	13-016	Rod for bridge	1	Z
1120	13-013	Link between hand and foot brake	1	Z
1121	13-0116	Stop wire 6/8, 100 mm	1	
1122	M 6/25	Adjusting device for clutch cable	1	
1123	M 8/40	Adjusting device for rear brake cable	1	
1124	10413-1001	Seal for rear brake cable	1	
1125	M 6/25	Adjusting device for front brake cable	1	
1126	10415-1205	Protective sleeve for front brake cable	2	
1127	12413-01	Pedal control system complete	1	
1128		Handbrake lever with knob	1	
1129		Knob for 1128	1	

ASSEMBLY UNIT 15 - GEAR CONTROL SYSTEM



Part No.	Description	Qty.	Price
1201	1201-01-01	1	—
1202	1202-01-01	1	3.70
1203	1203-01-01	1	12.81
1204	1204-01-01	1	4.80
1205	1205-01-01	1	—
1206	1206-01-01	1	—
1207	1207-01-01	1	—
1208	1208-01-01	1	—
1209	1209-01-01	1	—
1210	1210-01-01	1	—
1211	1211-01-01	1	—

ASSEMBLY UNITS 16, 17 AND 18 - SEATS

1226	104-16	Seat back, rear, complete	1	24.—
1227	17	Front seat, complete with lifting mechanism	1	30.50
1228	17-0001	Front seat support	1	1.80
1229	17-0002	Seat side flap	1	.80
1233	17-0003	Spring for 1229	1	.30
1231	17-0004	Bolt for 1229	8	.70
1232	17-0007	Washer for 1231	2	.10
1235	17-01	Frame for lifting mechanism	1	6.—
1234	18-01	Rear seat, large, complete	1	35.—
1235	18-02	Rear seat, small, complete	1	20.—
1236	18-011	Supporting bracket for rear seat	1	1.50
1237	17-0213	Rubber washer for 1236	2	.40
1238		Up-battery cover, back of front seat	1	4.—
1239		Up-battery cover, back of front seat	1	8.—
1240		High-nerf cover, rear seat large	1	5.—
1241		High-nerf cover, rear seat small	1	2.50
1242		Up-battery cover, back of front seat	1	8.—
1243	104-33-0124	Hinge for frame structure	1	1.40

ASSEMBLY UNIT 20 - NOSE (BONNET)



1271



1273

Part No.	Quantity	Name	Unit	Price
1272	2'	Nose primed, without linings	-	136 -
1273	2'	Nose chromelled, without linings (please indicate colour)	-	166 —
1274	20—0005	Speedometer with iron noted dial	1	34 —
1275	134 20—0001	Speedometer cable complete	1 2	10 90
1276	70—0005	Black gasket 3mm diam. x 25 x 500 between nose and shell	1	— 50
1277	2' 3006	Entering plate (pouring in)	1	1 50
1278	103 10—014'	Maker's emblem (Messerschmitt only)	1	1 25
1279	103 10—0144	Rubber ring for maker's emblem	1	25
1282	21—0001	Tread board	1	4 50
1283	21—0015	Wheel covering plate, nose section	2	5 —

ASSEMBLY UNIT 30 - CABIN



1301



1302



1305



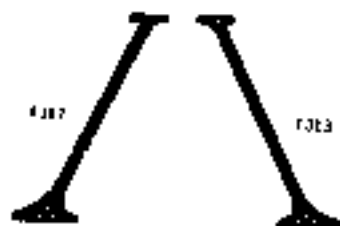
1309



1306



1307



1308

1308

Form A

1308



1308a

Form B



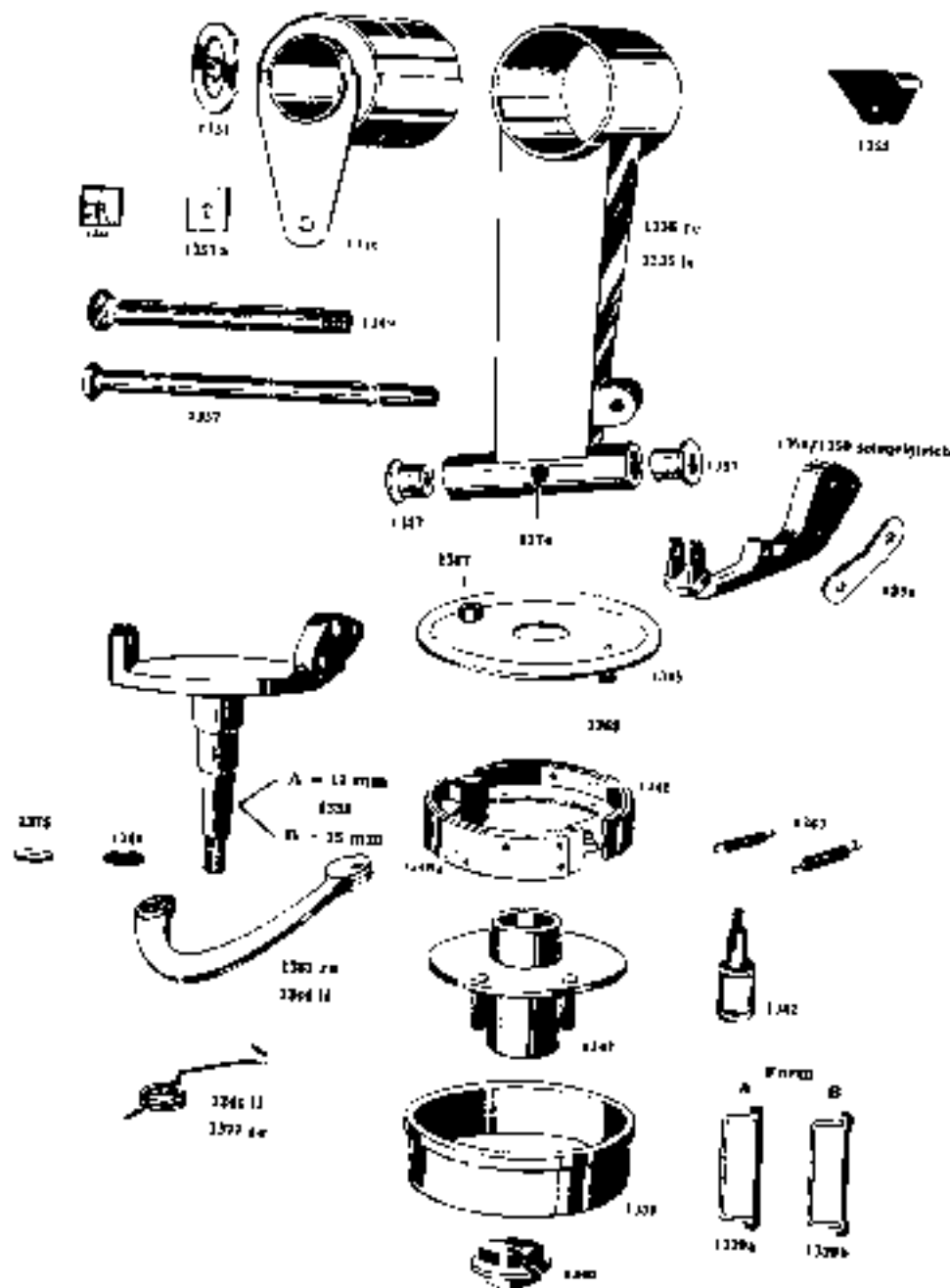
1308b



1308c

Part No.	Quantity	Description	Notes
1300		Dome structure, front view, complete without dome	
1301		Dome structure, front view, complete without dome	
1302		Dome structure, front view, domed	
1303		Dome structure, front view, etched	
1304	20-02	Front frame	2
1305	50-02	Rear view mirror	
1306		Mirror glass	
1307	10316-011*	Rubber backing, large end 50	
1308/1		Rear view mirror, large	
1308/2		Rear view mirror glass, large	
1309	10317-02	Lock, complete (1305, 1306, 1307, 1308, Form A or B)	2
1309	17-051	Lock housing, complete w. 1308 and 1308 a Form A or B	2
1309	15-0211	Rubber gasket for cabin lock	
1309	17-0607	Handle with lock for cabin	2
1307	17-0610	Inside handle for cabin	2
1305	17-0605	Latch (see drawing) Form B	2
1308a		Latch lock, Form A or B	2
1309	17-060911	Cabin lock key (quote key or chassis number)	2
1310	10320-0001	Window frame, left	1
1311	50-0016	Window frame, right	1
1312	50-0015	Windscreen upright, left	2
1313	50-0004	Windscreen upright, right	2
1314	10315-04	Hood stop, complete	1
1315	2430-0107	Windscreen	1
1316	50-0009	Plexiglass dome	2
1317	50-04147	Side windows, front, left or right	2
1318	50-044745	Side windows, rear, left or right	2
1319	50-043	Window locking device	2
1320	5015-0008	Metal hanger for side windows	4
1321	10311-014	Name plate "Messerschmitt" with nuts	1
1322	10311-01401	Window panel, left or right	2
1323		Hold spring	1

ASSEMBLY UNIT 45, 46 - CHASSIS, LEFT AND RIGHT

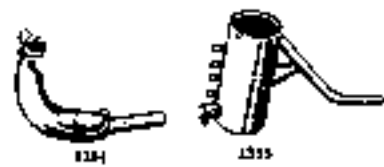
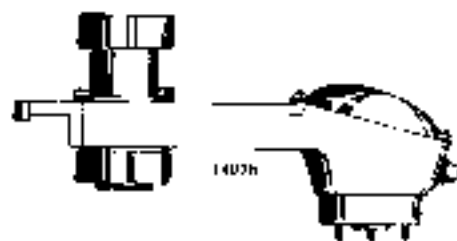
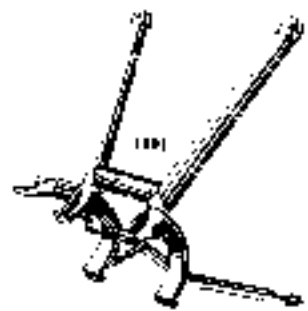
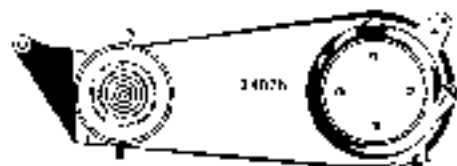


1347 Form A - 12 mm wide;
1347 Form B - 25 mm wide.

Part No.	Quantity	Description	Unit	Price
1330	1344-01	Steering lever, left with 1337 and 1338	1 Z	24 —
1336	45-02	Suspension member, left or right	2 Z	14.50
1337	14-03	Wheel hub, complete	1 Z	50 —
1338	10445-0613	Stub axle, left or right	1 Z	15.80
1339	24-0301	Brake drum (state whether shape A or B)	2 Z	9.10
1340	24-0702	Locking screw	2 Z	1.90
1341	24-0328	Toothed disc for brake lever adjustment	1 Z	90
1342	24-0814	Brake arm - Hinge toggle	2 Z	3.36
1343	24-0309	Tension spring for brake block	4 Z	—30
1344	24-0503	Brake lever, left	1	1.90
1345	24-0512	Brake mask (state whether shape A or B) and left or right	1 Z	2.70
1346	24-0315	Return spring, left	1	50
1347	24-032	Hub with oil bearings (state A or B)	2	16.45
1348	24-055	Brake block complete with surge lining	4	4.80
1348a		Brake lining	4	1.30
1348b		Rivets for brake lining		—02
1349	10445-0001	Stub axle bars	2 Z	3.50
1350	45-0002	Steering lever, left	1 Z	5.60
1351	45-1001	Lower end suspension member	4 Z	—50
1352	41-0002	Ball for roller mounting	2 Z	—25
1353	41-0003	Toothed disc for corner adjustment	2 Z	—65
1354		Distance piece		—50
1354	10445-0001	Securing plate	2 Z	—20
1355	10445-021	Beating blank for shock absorber	2 Z	1.80
1356	45-1003	Shock absorber	2	44 —
1357a	46-1115	Wiper for burn	4 Z	—80
1358	46-01	Rocker lever, right	1 Z	24 —
1359	24-04	Wheel hub, right, complete	1	50 —
1360	46-0002	Steering lever, right	1 Z	5.60
1361	24-0403	Brake lever, right	1	1.90

ASSEMBLY UNIT 45, 46 - CHASSIS, LEFT AND RIGHT

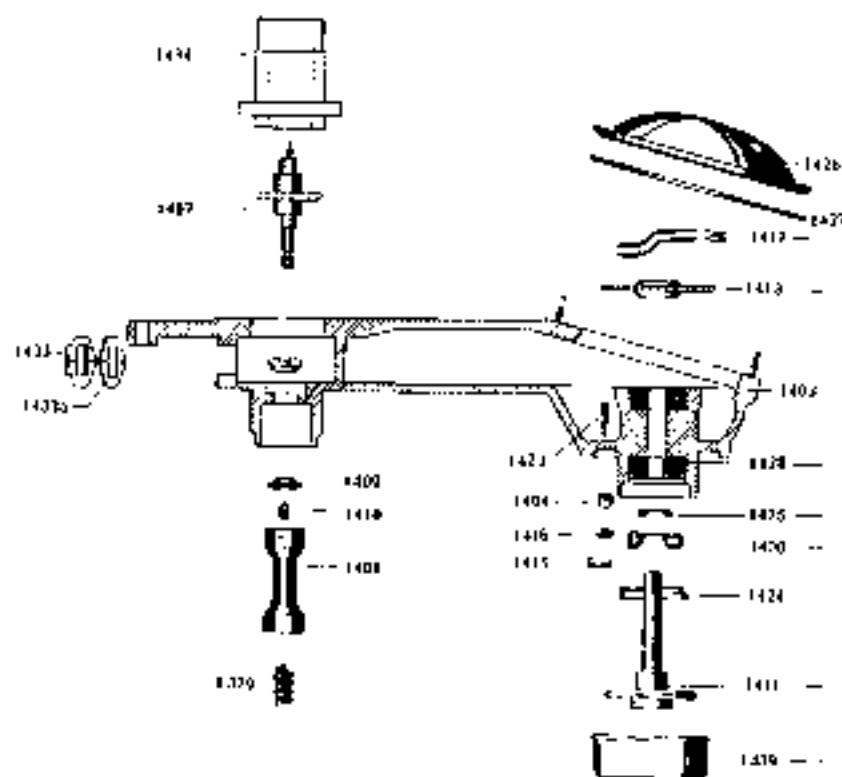
Item No.	Quantity	Description	Unit	Weight
1367		Inner hub bearing 6004	1	3.55
1368		Outer hub bearing 6207	1	2.45*
1368a		Bushing 606	1	2.60*
1364		Shim bearing D.K. 5573	1	1.60*
1365		Castellated nut M 12 x 1.75	1	1.51
1366	123 24-0324	Rubber disc	1	1.27
1367		Sleeve for brake toggle	1	5.0
1369	24-0316	Pin for oil opening 6004	1	2.0
1370	24-0323	Seal ring	1	1.95
1371	24-0343	Securing plate	1	1.15
1372	24-0415	Return spring, right	1	5.0
1373		Washer for wheel hub 13mm 2.0 front	1	1.5
1374		Grease nipple	1	1.25
1375		Rubber disc	1	1.15



ASSEMBLY UNIT 50 - CHASSIS, REAR

Part No.	Quantity	Notes	No. of Subs.	Price
1345	10—24—1355	Method of mounting brake lever adjustment	-	— 91
1372a	10—55—1377	Rear spring for brake lever (steels on spring)	1 2	— 50
1377a		Rear spring for trucks lever (torsion spring)	1	— 51
1378	95—1076	Rubber sleeve	1 2	2 50
1379	95—1404	Pressure spring in toothed sleeve (kg 1409)	1 2	— 43
1380	55—1405	Centring disc on engine for rubber sleeve	1	— 53
1381	51—01	Shock absorber	1	24
1383	50—005	Intermediate piece for motor adjustment	2 2	— 50
1384	50—004	Supplementary piece for spring	4 2	— 50
1386	40—1015	Securing plate	4	— 13
1388	51—02	Wing, rear, primed	1	14 53
1389	51—03	Wing, rear, unprimed (state colour)	1	19 —
1390	51—05	Rubber megibulter with threaded pin	1 2	4 75
1391	51—06	Rubber member motor/rubber 'large'	1 2	5 90
1392	51—07	Rubber meg shock absorber	2 2	1 90
1393	51—011	Battery holder, complete	1	2 50
1394	54—01	Exhaust pipe with heater jacket and top	1	24 50
1394a		Gasket for exhaust nut 650 003	1	— 25
1395	54—02	Exhaust silencer	1	22 50
1395a		Adhesion plate for exhaust silencer	1	— 50
1395b	54—011a	Welding plate for exhaust pipe	-	— 70
1396	51—	Exhaust unit, complete	1 2	25 —
1397	55—05	Rubber springing	2 2	10 80
1398	51—1007	Tie plate, front, for engine	1 2	— 90
1399	51—0003	Exhaust, rear, for engine	1 2	1 95
1407	51—	Chassis plate, rear, with battery holder	4 2	50 —

ASSEMBLY UNIT 50 - CHASSIS, REAR



Part No.	Quantity	Description	Unit	Price
1402a	1	Bracket, complete		1.00
1402b	1	Bracket complete with rubber buffer	1	1.00
1405	55-0011	Bracket housing	1	2.00
1404	104 15-1107	Bush for brake linkage	1	1.00
1405	101 18-0215	Brake bolts	1	2.00
1407	104 55-C3	Chain chain	1	2.00
1408	55-0101	Toothed sleeve	1	24.75
1409	55-0432	Cog wheel	2	2.70
1410	55-1434	Spring bolts for the toothed sleeve	2	2.00
1411	12-0501	Spindle	1	1.50
1413	55-0001	Chain wheel	1	12.50
1414	55-0008	Brake toggle	1	2.20
1415	55-0012	Rubber disc for brake toggle	1	1.20
1416	55-0005	Rubber gasket for brake toggle	1	1.20
1417	15-1404	Brake lever	1	3.50
1548	103 14-055	Brake box complete with brake lining	2	4.60
1548a	24-055	Brake lining	2	1.50
1548b		Rivets for brake lining		1.72
1543	14-0107	Spring for brake bolts	2	1.50
1335	14-0501	Brake drum - quote Slope A or B	1	9.10
1422	104 52-0012	Distance piece for ball-bearing 25.25 X 2 - 58 lg	1	1.00
1423	55-0014	Roll for travel over rough spring	1	1.80
1424	55-0015	Screw ring for brake hub	1	3.25
1425	55-0016	Ring for brake hub	1	1.50
1426	55-0017	Cover plate	1	5.50
1427		Gasket under cover plate	1	1.00
1428		Ball-bearing 6205	4	3.00
1430		Staple - 10.25 X 12.5 X 8	1	1.75
1431		Locking screw by Oil-Ming screw by Drain screw	2	1.95
1432		Driving chain 73 links	1	10.00
1433	104 51-0001	Rocker housing lid	1	1.00
1433a	55-0022	Oil-resistant rubber gasket	1	1.00

ASSEMBLY UNIT 50 - CHASSIS, REAR

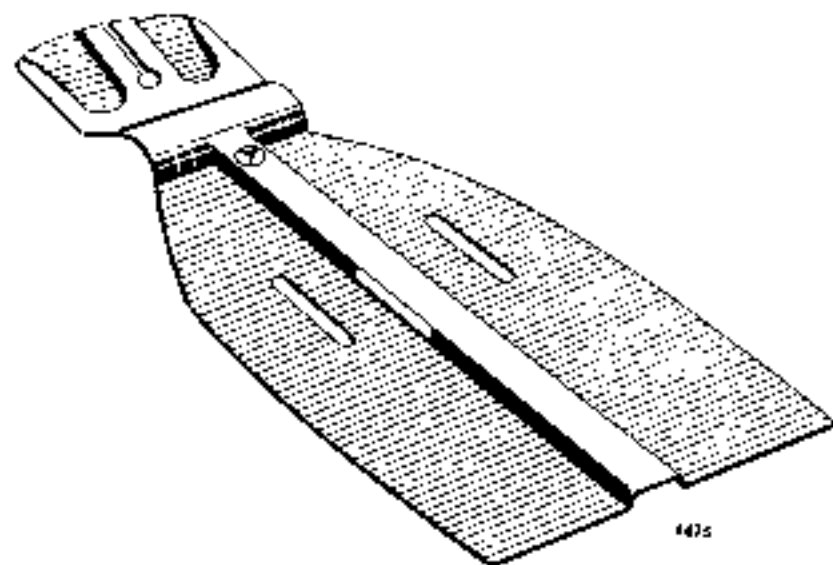
Part No.	Quantity	Name	Units	Price per Unit
1434	55-06	Rocker arm complete	1 2	16.00
1435		Clamp link		— 75
1436		Chain member, offset		— 30
1437	101 51-0003	Distancing plate		— 20
1437a	51-0004	Angle on ventilator housing		— 80
1439	55-04	Nut M 12 x 1.0-N 535 for 1437	1	— 30
1440	55-0202	Threaded ring on speed-cable	1	— 1.00
1441	55-	Asbestos ring 10 x 20, DIN 1403	1	— 40
1443		Spring for 1413 SMA x 14 5	2	— 20
1443a		Spring for 1413 round	1	— 25
1444		Spring for 1407	1	— 40
1445		Hex. nut M 16 x 1.5 DIN 934	1	— 20
1445a		Securing plate DIN 642	1	— 15
1446	55-	Cylindrical pin 10 x 22 24 mm	1 1	— 10
1447	55-	Spring washer B 17 DIN 127	1	— 70
1448	55	Nylon ring	1	— .50
1449		Oil seal for speed-cable	1	



ASSEMBLY UNIT 60 - TAIL

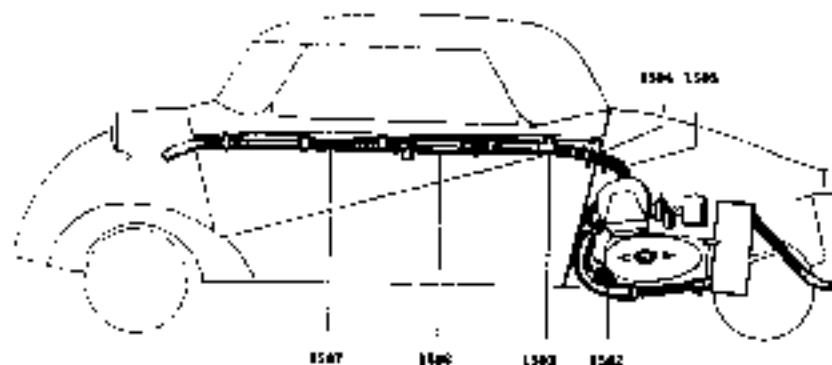
1451	101 51	Tail, primed without fittings	1 2	150.00
1452	101 61	Tail, chrome-plated without fittings (please state colour)	1	160.00
1453	103.20-0115	Hook lock, complete (1455, 101 1)	2	3.75
1454	12-0705	Hook plate on shell	2 2	— 95
1455	20-10115	Hook latch	2 2	— 80
1456	101 61-0114	Elastic strip between shell and cabin luggage space 700 mm	1	— 80
1457	51-0001	Block for hinge on tail	2	— 50
1458	51-0706	Bolt	2	— 30

ASSEMBLY UNIT 62 - FUEL UNIT 70 - FITTINGS



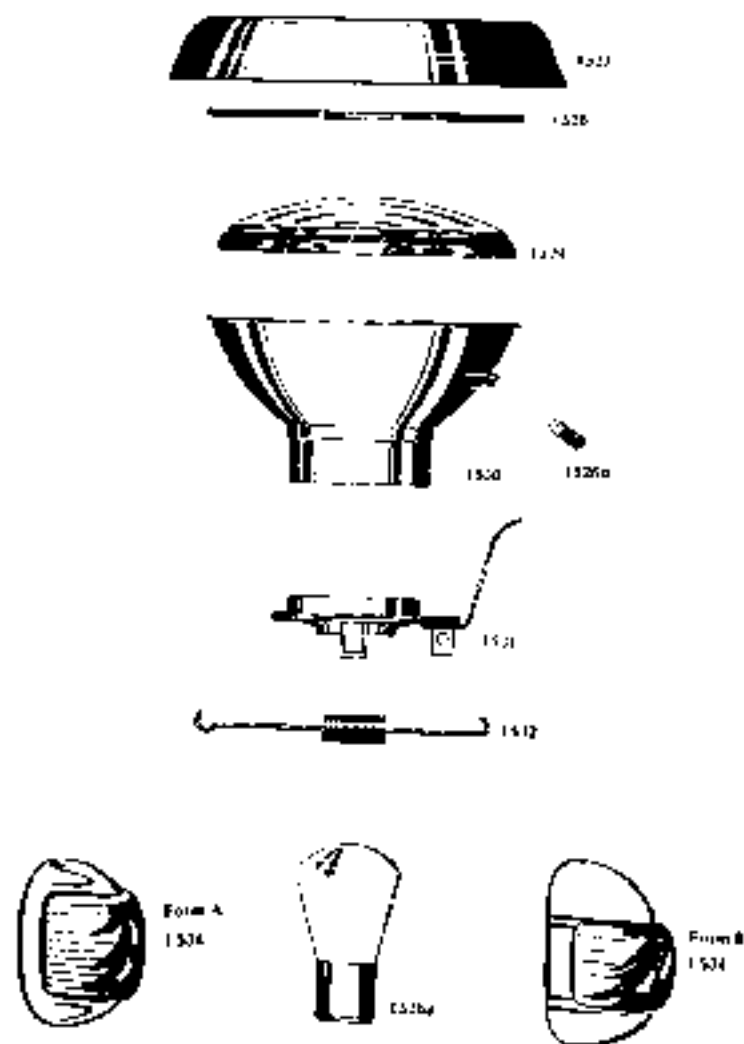
Part No.	Quantity	Name	Alt.	Price
1461	104-01	Parrot tank	1	21
1462	62-02	Fuel cock	1	4.70
1463a	62-0200	Parrot pipe	1	30
1463b		Maple for parrot pipe	1	40
1464	62-03	Fuel cock gasket		30
1464	62-0301	Rubber gasket for tank feed pipe	1	26
1465	62-0201	Fuel tank clamping band	2	40
1466	62-0202	Felt gasket clamping band	2	20
1467	62-0107	Fuel tank cap	1	1.50
1467a		Gasket for 1467	1	— 50
1468	62-04	Fuel cock linkage	1 2	3.30
1471	70-06	Wing, left, primed	1	50 —
1472	70-07	Wing, right, primed	1	50 —
1473	70-06	Wing, left, engine induction port	1	40
1474	70-07	Wing, right, engine induction port (cutout)	1	40 —
1475	70-04	Rubber floor mat	1 2	19 —
1476	70-01	Cover plate for drag lever	1 2	2.90
1476a	70-01	Cover plate, front	1	1.50
1477	70-03	Choke cable	1	3.50
1477a		Bracket for choke cable	1	— 50
1478	70-05	Wheel disc	5 F	3.90
1477	70-051	Bracket for wheel disc	3 E	— 40
1481	70-08	Neutral cable, inner	1	20
1481	70-08	Neutral cable, outer	1	— 40
1482	75-01	Wheel rim, complete, 4 1/2 x 8	2	12 —
1483	75-0002	Inner tube 4 1/2 x 8	4	5.30*
1484		Tyre cover 4 1/2 x 8	3	26.10*
1485	70-0005	Rubber hose for air intake	1	3. —
1486		Air filter element	1	1.40
1487		Securing ring for 1486	1	— 20
1487a		Ring for 1486	1	3.50
1488		Absorbing plate for carburettor	1	1.00

ASSEMBLY UNIT 71 - AFTER SECTION



Part No.	Description	Quantity	Weight
1501	Heater unit, complete 1503-15151		31.00
1502	Tube 330 mm from blower to exhaust	1	1.35
1503	Tube 360 mm	1	2.60
1504	Tube section with flange as fitted to rear wall	1	1.30
1505	Tube 450 mm exhaust to 1504	1	3.90
1506	Heater unit pipe	1	6.50
1507	Tube 1000 mm	1	6.50
1508	Collars		— .20
1509	Air take-off pipe and valve	1	4.50
1510	Band strip with pin 260 mm	7	— .20
1511	Wire strip 120 mm	1	— .10
1512	Heater control cable 100/730	1	2.90
1513	Terminal strip for 1512	1	— .10
1514	Knipping screw 4x10	4	— .25
1515	Gasket under air take-off pipe	1	— .10
Tubing for Heaters from Chassis Mr. 60 000			
1517	Tube 460 mm, exhaust to 1504	1	2.95
1518	Tube 280 mm from blower to exhaust	1	1.90
1519	Tube 570 mm, heater outlet from tubular frame	1	5.60

ASSEMBLY UNITS 91, 92 AND 93 - ELECTRICAL FITTINGS



Part No.	Name	Price ea.	Part No.	Name	Price ea.
1523	Hood, left or right 10 x 11	13.50	1526a	Headlamp bulb 12 V. 35 W	3
1526	Headlamp complete with bowl	16.—	1526b	Parking lamp bulb 12 V. 15 W	— 40
1527	Headlamp bezel	2.45			
1528	Rubber ring for headlamp	7.— 40			
1529	Headlamp glass	2.— 90			
1530	Headlamp reflector	2.30			
1531	Headlamp bulb holder	2.30			
1532	Headlamp spring	2.— 30			
1533	Bulb, 8L 20 watt or right	5.50	1534a	Spherical blinker bulb 12 V. 15 W	1.10
1534a	Blinker housing, shape A	5.80			
1534b	Blinker housing, shape B	5.80			
1535	Blinker actuator	6.80			
1536	Horn M.B. 12	14.50			
1536a	Bracket for horn	1.40	1537a	Fuses 15 amp	— 12
1537	Fuse box 8 Hole	4.50			
1538	Ignition switch (s bal)	14.80*			
1538a	Ignition key	1.90			
1539	Blinker switch	2.15			
1539a	Key-Blinker switch	2.15			
1540	Light switch with bulb holder	5.20	1540a	Bulb 12 V. 2 W	— 45
1541	Light switch (new)	2.70	1541a	Fog lamp bulb 12 V. 15 W stop lamp light	1.10
1542	Fog light with stop light left or right	6.—	1541b	Fog lamp bulb 12 V. 3 W	— 45
1542a	Fog light housing	4.50			
1542b	Fog light glass	1.30			
1543	Stop light with plain red glass, shape A	4.50			
1543a	Stop light housing, shape A	5			

ASSEMBLY UNITS 91, 92 AND 93 - ELECTRICAL FITTINGS

Part No.	Name	Price ea.	Part No.	Name	Price ea.
1544	Stop light with redbed glass, shape B	4.00			
1544a	Stop light housing, shape B	3.00	1526b	Parking lamp bulb, 12 V/1.5 W	— .40
1545	Terminal strip 1 pole	.25			
1546	Terminal strip 10 pole	2.00	1526a	Parking lamp bulb, 12 V/1.5 W	— .40
1547	Rubber ring cable protection, 3 mm ϕ	.15			
1548	Light indicator light, red, without bulb	1.50			
1549	Reverse indicator light, green, without bulb	1.50			
1550	Blinker, no color light, low bulb type	1.50	1550a	Bulb 12 V/2 W	— .45
1550b	Blinker indicator light, blue, without bulb	1.50	1550c	Bulb 12 V/2 W	— .45
1550c	Bulb 12 V/2 W	— .45	1550d	Bulb 12 V/2 W	— .45
1550r	Blinker, no color light, yellow, without bulb	1.50			
1551	Bulb for speedometer	— .40			
1552	Number plate illuminating lights K.S. (export only)	3.50	1527c	Reston bulb, 12 V/1.5 W	— .50
1553	Battery, uncharged, 11 Ah @ 6 V	22.60			
1553a	Battery, uncharged, 13 Ah @ 6 V	51.30			
1553b	Battery strap	1.90			

ASSEMBLY UNITS 91, 92 AND 93 - ELECTRICAL FITTINGS

Part No.	Drawing	Name	Qty.	Price
1556	102 90—0154	Curtin strip, copper 12 200 mm	1	1.12
1558	104 92—0205	Windscreen wiper motor 12 V 120" sweep with 1560 and 1561	1	11.00
1559	104 92—0205 1	Windscreen wiper motor 12 V 120" sweep without 1560 and 1561	1	1.00
1559 0		Wiper shaft complete 11 or 12 teeth	1	1.40
1560	104 92—0205 2	Windscreen wiper arm, silver enamelled	1	1.80
1561	104 92—0205 3	Windscreen wiper strip WBP 23 silver enamelled	1	3.95
1562	114 95—0204	5100-control box, complete ignition coil with condenser, regulator, magneto change — over switch and terminal board)	1	116.—*
1563		Ignition coil	1	12.75*
1564		Regulator	1	51.60*
1565		Magneto change — over switch with terminal board	1	30.60*
1566		Condenser	1	2.20*
1567		Rubber base for 1565	1	— 50
1568		Rubber base for 1542	1	— 50
1571	94—01	Cable harness for nose	1	12.50
1571 1		Cable harness for shelf	1	4.90
1571 2	97—01	Cable harness for igni	1	2.10
1571 3	91—012	Cable harness for dipper switch	1	1.40
1571 4	91—013	Cable harness for stop light switch	1	1.20
1571 5		Cable harness for battery	1	— 60
1571 6		Cable harness for clock	1	— 20
1572		Stop light switch from chassis No. 60 050)	1	3.90
1573		Stop light switch from chassis No. 60 050)	1	2.50
1573	91—0202	Beam reflector with	1	4.20

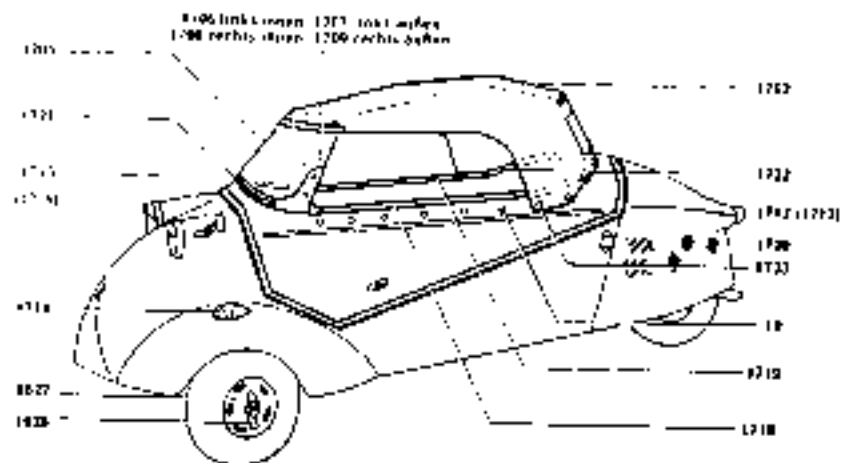
SPECIAL ACCESSORIES FOR KR 200

Part No.	Name	Price
1601	Folding canvas cover	75 —
1602	Sun covers complete, with press buttons and pocket	14.50
1603	Bracket for sun cover	1.60
1604	External sun visor, adjustable	29.50
1605	Internal sun visor with rubber suction cups	3.70
1606	Suction cups for internal sun visor	— 50
1607	Air detectors (state left or right)	7 —
1608	Pack for 2 pairs of shoes	75 —
1609	Fuel tank locking cup	8.60
1610	Interior cabin lining complete (state colour)	65 —
1610a	Interior cabin lining left shell (state colour)	11.50
1610b	Interior cabin lining left, dome structure (state colour)	11.50
1610c	Interior cabin lining right shell (state colour)	51. —
1610d	Cover, rear, right shell	6. —
1610e	Set of rubber feet strips	8. —
1611	Semi covers, complete set	35 —
1612	Cocoonal matting, complete — 4 pieces	39 —
1613	Cocoonal matting for cockpit — 3 pieces	29.90
1614	Cocoonal matting for luggage space	7. —
1615	Tack	4.90
1616	Ashtray	2.95
1617	Headlamp cover	2.10
1618	Reversing lamp	12. —
1619	Windscreen wiper	9.60
1620	Clock with light, 36 hour	19 —
1621	Tire pressure gauge	6.50
1622	Luggage carrier, chromium with bolts	37 —
1624	Folding garage with bag	55 —
1625	Spore wheel complete	45. —
1626	Wheel disc, complete with bracket	3.80
1627	Ornamental wheel disc with Rudge securing cap	8.50
1628	Rudge securing cap	4.25
1629	Wheel disc, spoked, with Rudge securing cap, chromed	15.50
1630	Cleaning kit for organic glasses	5.50
1632	Plexidol, bottle of 100 gr.	2 —
1633	Plexidol, tube of 1.00 gr.	2 —
1634	Plexidol, tube of 200 gr.	3.50
1635	Battery 16Ah, complete with parts for replacing 12V Battery	75 —

TOOLS

№	№	№	№
SW 15	Comber gauge	1	17 —
SW 18	Pulver steering bar	1	57 —
SW 19	Ring wrench (1429) Pulver	1	58 —
SW 28	Thickness gauge	1	25 —
SW 29	Box spanner for engine arm	1	21 50
SW 36	Spanner for steering bar	1	130 —
SW 37	Device for inserting handle bar	1	71 —
SW 38	Control gauge for engine	1	4 —
SW 39	Ring spanner for use with SW 19	1	175 —
SW 57	Flats for speedometer ring	1	14 50
SW 54	Pulver for 1397 (Rubber springing)	1	16 50
	Flats for hollow rivets	1	15 50
36 941	Tool for setting in windshield	1	56 1
36 945	Tool for inserting filter into rubber gasket around windshield	1	61 —
SW 75	Steel clamp for securing profile frame of hood on rear of vehicle	4	51 1
SW 79	Steel clamp for securing up lights and window frames	6	51 1
SW 34	Spring clamp for mounting dome	1	7 —
SW 55	Spring clamp for mounting dome	1	5 80
SW 77	Clamping claw for bands	1	79 —
SW 78	Clamping claw for straight lines	1	33 —
WE 26	Clamping heads		420 —
SW 43	Wedge for inserting rubber surround (1289)	1	— 80
SW 73	Steel clamp, new form		5 50

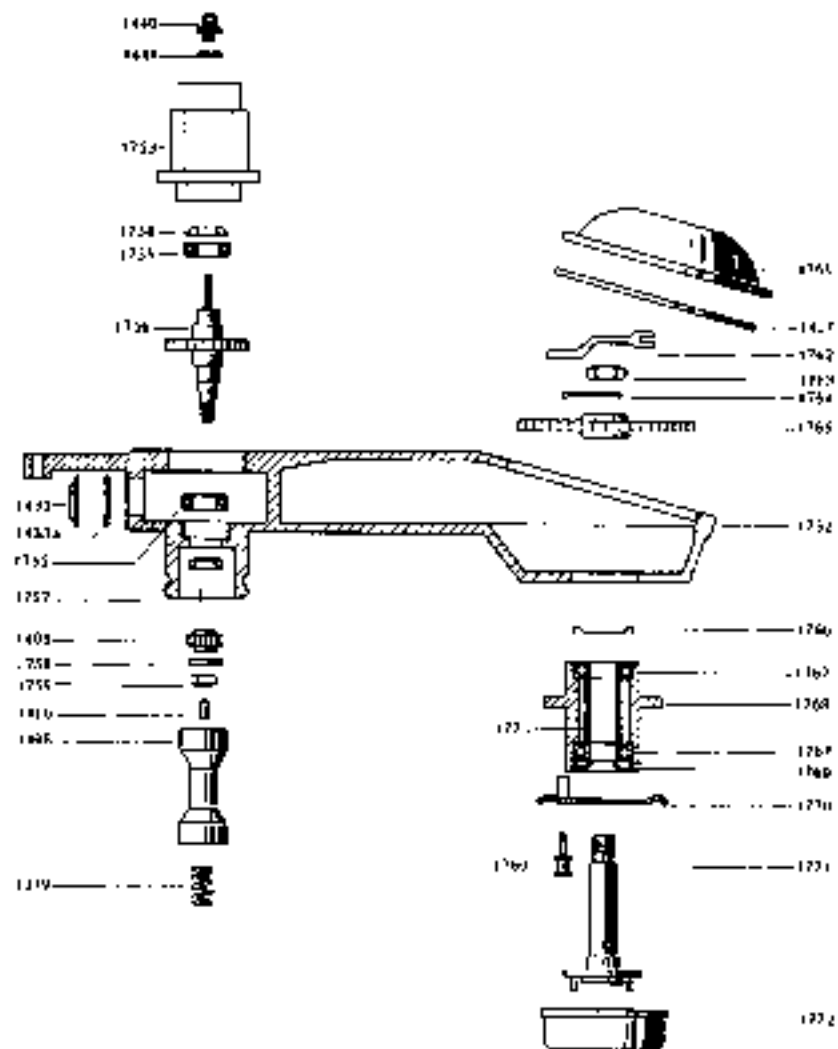
Additional Parts
for
KR 201 Roadster
and
new Rocker



PARTS FOR KR 201

Part No.	Description	QTY	Price
1701	Body shell with complete with folding canvas hood and housing and rear valance for KR 200 and special price for changing KR 200 into KR 201 (without 1707 and 1708 with valance)		350.—
1702	Canvas hood with folding metal frame, up to 6 side curtains and hood cover, special price for completing a KR 201 brought without canvas hood. Side curtains normal with metal frame		195.—
1702	Canvas hood with folding metal frame	1	150.—
1703	Hood cover	1	37.—
1705	Windscreen	1	34.—
1706	Windscreen upright, left inner	1	5.—
1707	Windscreen upright, left outer	1	5.—
1708	Windscreen upright, right inner	1	5.—
1709	Windscreen upright, right outer	1	5.—
1710	Side curtain, left transparent	1	15.—
1711	Side curtain, right transparent	1	15.—
1712	Tail light, chrome	2	7.24
1713	Housing for tail light	2	6.20
1714	Wing lamp with bulb	2	9.—
1715	Rear view mirror	2	9.60
1716	Rear view mirror glass		1.81
1717	Gear lever, chrome	1	7.—
1718	Hand rail, left	1	15.—
1719	Hand rail, right	1	15.—
1720	Chrome controls, 45°	4	11.50
1721	Windscreen rubber	1	7.50
1722	Metal frame for hood, ear	1	7.50
1723	Rear button, keeping hood and side curtain	2	11.60
1724	Hood strap, long	1	2.40
1727	Ordnungs wheel disc with large securing ring	5	6.00
1728	Ridge securing cap	5	4.—

ROCKER, NEW (single mass for 15-90)



Part No.	Description	QTY	Price Per
1750	Rocker complete with rubber suspension	1 Z	279.—
1751	Rocker complete without suspension	1 Z	158.—
1752	Rocker housing	1 Z	62.—
1753	Rocker arm	1 Z	15.—
1754	Nylon ring	1 Z	.50
1755	Bracket 3/16"	2 Z	4.—
1756	Chain pinion	1 Z	15.10
1757	Summer ring (oil seal)	1 Z	1.50
1758	Washer	2 Z	10.—
1759	Nut hexagon, left hand thread	1 Z	30.—
1760	Brake toggle	1 Z	3.50
1761	Hub cover plate	1 Z	3.50
1762	Brake lever	1 Z	3.25
1763	Hub	1 Z	1.55
1764	Securing plate	1 Z	1.15
1765	Chain wheel	1 Z	17.50
1766	Nylon ring	1 Z	90.—
1767	Bearing 4210	2 Z	3.90
1768	Spindle housing	1 Z	10.—
1769	Summer ring	1 Z	2.10
1770	Brake drum plate, complete	1 Z	3.—
1771	Rear axle	1 Z	15.—
1772	Spring B 61/62/63	1	25.—
1773	Brake chain	1 Z	9.10
1774	Spindle bush	1 Z	2.50
1775	Pressure spring in toothed sleeve No. 1408	1 Z	40.—
1776	Toothed sleeve	1 Z	26.75
1777	Cog wheel	2 Z	6.10
1778	Spring coil in toothed sleeve	2 Z	25.—
1779	Gasket under cover plate	1 Z	70.—
1780	Rocker housing lid	1 Z	70.—
1781	Oil resistant rubber gasket	1 Z	40.—
1782	Threaded ring on spindle 1/2" x 1/4"	1 Z	1.60
1783	Toothed disc for brake lever adjustment	1	30.—
1784	Tension spring for brake block	2	30.—
1785	Brake block complete with lining (Jude)	2	4.00
1786	Brake lining	2	1.90

ROCKER, NEW (incl. chassis No. 45135)

1348h	Rivets for brake lining	—	02
451	Driving chain, 70 links	1	13.80
714	Roller spring	1	50
1770	Locking screw	1	—,95
1775	Spring ring (copper)	1	35
1777	Roller pin ring 11/2	1	60
1778	Roller pin ring 20 x 3	1	70
714	Metal ring	1	15