

Ginetta Cars

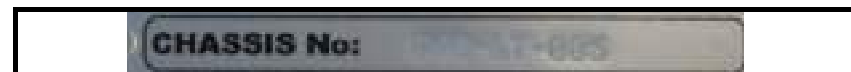
Your future in motorsport

Ginetta G40 Junior Cup Car
Build Manual v.1



*Typical chassis
number*

[G40 LT 001](#)



Ginetta Cars

Your future in motorsport

Ginetta G40 Cup Car



Ginetta Cars

Your future in motorsport

Ginetta G40 Dimensions

Minimum weight

850 kg

Overall length

3748 +/- 5 mm

Wheelbase

2250 +/- 10 mm

Overhang

Front	Rear
<u>760</u> +/- 10 mm	<u>738</u> +/- 10 mm

Overall width

1642 mm +/- 1 %

Where measured FRONT AXLE

Width of bodywork at axle centreline

Front	Rear
<u>1642</u> mm +/- 1 %	<u>1642</u> mm +/- 1 %

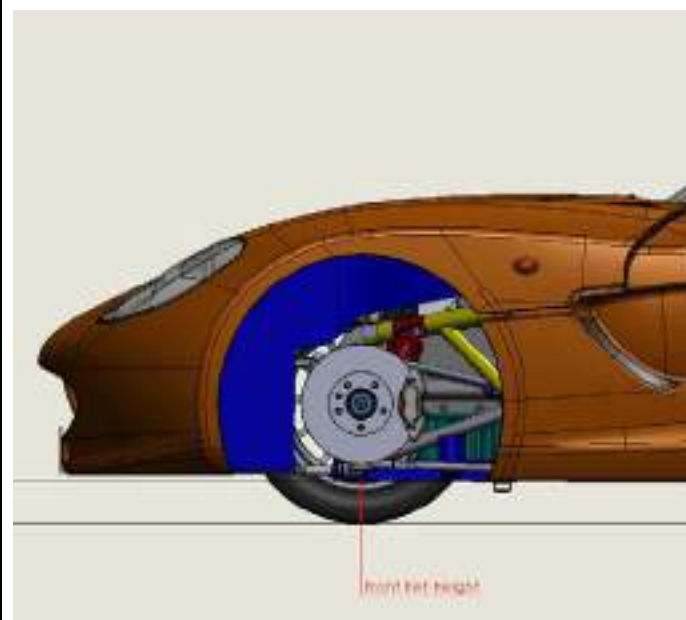
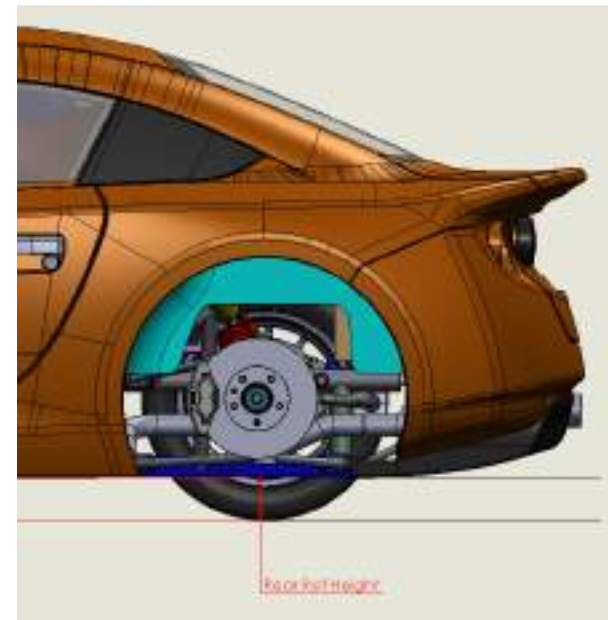
Maximum track

Front		Rear	
mini	maxi	Mini	maxi
<u>1642</u> mm +/- 1 %	<u>1642</u> mm +/- 1 %	<u>1642</u> mm +/- 1 %	<u>1642</u> mm +/- 1 %

Ginetta Cars

Your future in motorsport

Ginetta G40 Ride Height Reference

	Front	Rear
Minimum Ride Height of car (At all times)	<u>85</u>	<u>85</u>
References on chassis	 <p>front ride height</p>	 <p>rear ride height</p>

This measurement is for set-up use only, and should not be used as a measurement for the championship regulations minimum ride height

Ginetta Cars

Your future in motorsport

Ginetta G40 Initial Run Recommendations

It is important to realise when running a car for the first time, that painted, powder coated, and plated surfaces tend to bed together and can work loose during the initial running period.

Consequently, it is strongly recommended that one out lap is completed after which all oil, water, and fuel lines are checked for security, along with the wheel nuts.

After this, a further run of four laps should be completed, after which a thorough spanner check must be carried out, checking the security of all components.

Particular attention should be paid to hub nuts, CV joints, braking and steering systems, suspension mounts and lock nuts, and also the airjack locking rings.

As with all new car builds, it can be increasingly difficult to get all the air from the brake system, at sometime during the first run it is also advised that you should bleed the brakes to remove any excess air from the system.

At all times during testing, visual checks should be made whenever the car is stationary.

Once testing is complete the car must be thoroughly cleaned, spanner checked, all fluid levels checked, and generally inspected, before returning to the track.

Extra attention should be paid to all engine drive belts, after any visits to gravel traps, for damage or misalignment.

Please note that the regulations for the G40 Junior Cup will be very closely controlled and we would strongly advise that you consult Ginetta before making **any** alterations to the car, no matter how small they may be. The regulations will focus primarily upon maintaining the original specification of the car and you should work on the assumption that **any modifications will render the car ineligible.**

Ginetta Cars

Your future in motorsport

Ginetta G40 Car Set Up

ALL THESE ITEMS CAN BE SET UP IN THE AIR

DAMPER TYPE	Ginetta	Ginetta
DAMPER SETTING	- 6	- 6
AEON TYPE / SIZE	Rubber / 18mm	Rubber / 18mm
A R BAR & SETTING	Hole 1	Hole 1
MASTER CYLINDER SIZE	0.7 inch	0.7 inch
BRAKE DISCS / PADS	Ginetta / PF 01	Ginetta / PF 01
BIAS SETTING		
SPRINGS	625lbs	400lbs
PRELOAD STATIC	Zero	Zero
DAMPER PLATFORM AIR	82mm ^ 82mm	87mm ^ 87mm
CAMBER SHIMS	XX ^ XX	XX ^ XX
CASTOR SETTINGS	^	^
TYRE	Michelin Pilot Exalto	Michelin Pilot Exalto

ALL THESE ITEMS TO BE SET UP ON FLAT PATCH

TYRE PRESSURE HOT	28psi ^ 28psi	28psi ^ 28psi
CAMBER ANGLE DEGREES	2.5 ^ 2.5	1.5 ^ 1.5
TOE IN / OUT	1mm out ^ 1mm out	1mm in ^ 1mm in
RIDE HEIGHT	90mm ^ 90mm	95mm ^ 95mm

THESE ITEMS REFERENCE ONLY

BRAKE DUCTS	None Fitted	None Fitted
TYRE PRESSURE COLD	21psi ^ 21psi	21psi ^ 21psi

This set-up is based on a complete car with all fluids, (water, oil, etc), no driver, and 10 litres of fuel.

Alternative Camber shims are available in sizes 2mm, 3mm.

Ginetta Cars

Your future in motorsport

Ginetta G40 Set-up Details

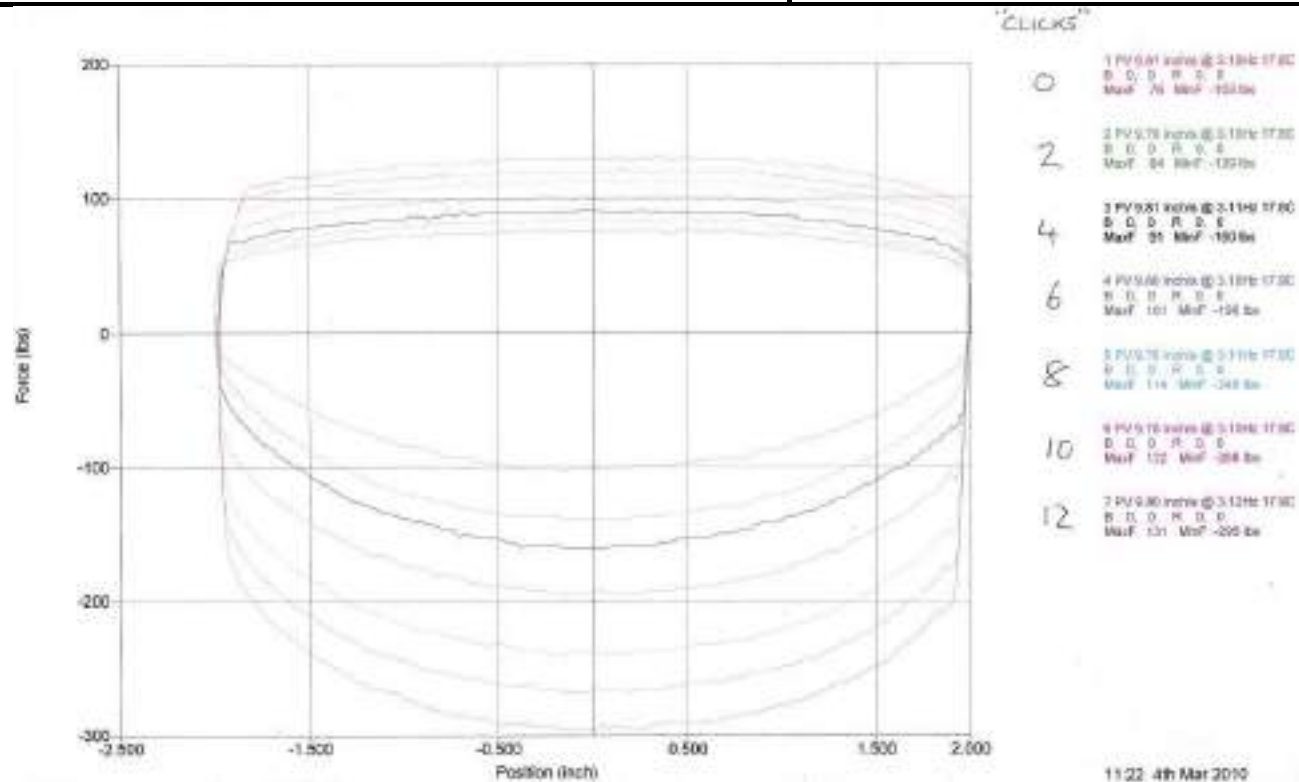
	<i>Front</i>	<i>Rear</i>
Ride Height Change	<u>1 TURN=3.6MM</u>	<u>1 TURN=3.2MM</u>
Camber Change	<u>2MM=0.5°</u>	<u>2MM=0.5°</u>
Toe Change	<u>1 FULL TURN=4MM</u>	<u>1 FULL TURN=4MM</u>
Ride Height Change With Camber Change	<u>NO CHANGE</u>	<u>NO CHANGE</u>
Toe Change With Camber Change	<u>NO CHANGE</u>	<u>NO CHANGE</u>
Anti-rollbar adjustment, hole 1 – hole 2	<u>20% STIFFER</u>	<u>15% STIFFER</u>
Anti-rollbar adjustment, hole 2 – hole 3	<u>20% STIFFER</u>	<u>15% STIFFER</u>

Ginetta Cars

Your future in motorsport

Ginetta G40 Damper Detail

Make and Type	<u>GINETTA OIL FILLED SINGLE ADJUSTER</u>	<u>GINETTA OIL FILLED SINGLE ADJUSTER</u>
Maximum open length	<u>406</u> mm	<u>406</u> mm
Minimum closed length	<u>300</u> mm	<u>300</u> mm



Dampers are the same Front and Rear.

Ginetta Cars

Your future in motorsport

Ginetta G40 Mileage Advice of Critical Components

The following parts must follow a life-mileage program for periodic maintenance / replacement / refurbishment / dimensional and crack checks.

Listed below are typical expected life (in kilometres) to be intended just as a starting reference.

For safety reasons, please contact Ginetta Cars immediately if you discover premature wear or problems.

SUSPENSION	
Suspension wishbones	5000 km
Anti Roll Bars and anti roll bar drop links	5000 km
Suspension ball joints	3000 km
Front hubs	10000 km
Rear hubs	10000 km
STEERING	
Steering column and track rods	5000 km
Steering rack	10000 km
CONTROLS	
Brake pedal	5000 km
Chassis to Engine installation bolts	5000 km
WHEELS, TRANSMISSION and STARTER MOTOR	
Wheel rims	5000 km
Wheel bearings	5000 km
SYSTEMS	
Wiring Loom	10000 km
Water Radiators & Oil coolers (unless fins getting damaged)	10000 km

Ginetta Cars

Your future in motorsport

Ginetta G40 Crack Checking of Critical Components

CRACK CHECKS

Routinely performing crack checks on structural parts at regular intervals and after every accident is strongly recommended.

Parts which should be monitored are:

- Rims
- Seat mounting brackets
- Wishbones, Toe links, and Track rods
- Uprights
- Suspension mounts and Steering arms
- Anti roll bars and anti roll bar drop links

The crack checking of any components can be carried out at Ginetta Cars. To arrange any crack checking please contact

- Philip Addison on 0113 3854151

Ginetta Cars

Your future in motorsport

Ginetta G40 Systems

Fuel System

The Ginetta G40 Junior Cup Car has an ATL Saver Cell 45 litre. This style of fuel cell regulates the fuel pressure with a 5 bar fixed regulator at the tank. This means that there is only one fuel line to run through the car to the engine.

In a case of running out of fuel the engine may take around 30 seconds of running to self-bleed itself.

Checking fluid levels

Checking the fluid levels on the Ginetta G40 Junior Cup Car should be carried out at the start of each day the car will be running. The oil, water and levels should be checked using the following procedure:

- Before starting the engine remove all caps and check the levels. The oil should be midway between the min / max levels and the water should be around half the tank capacity.
- The engine should now be started.
- As the engine temp rises, attention should be paid to the radiator, ensuring that the whole area of the radiator is hot. After any air is removed the water level should topped up to two thirds of the tank capacity and the cap replaced.
- The oil level should now be checked and topped up if required. The level at this point should midway between the min / max level marks.

Ginetta Cars recommends the follow lubricants: Pro S 5w30 synthetic oil in the Engine, SILKTRAN SYN 5 gear oil in the gearbox and BOA 90 LS in the Differential.

Ginetta Cars

Your future in motorsport

Ginetta G40 Battery care

Charging Procedure:

- The charger must give a constant tension between 14.0V and 14.7V.
- The charger must be able to charge with a current of at least 40% of the nominal capacity of 26-27Ah, which is about 10A. The current will come down during charging.
- A complete charge can take up to 10 hours.

SAFETY NOTES:

- Never charge the battery when the battery is "HOT".
- Tighten the cable-nuts not more than 4Nm.
- Charge an empty battery immediately. Do not leave it empty.
- When the battery is stored do not let the tension come down under 12V. Charge it again as soon as possible.
- Store the batteries in ambient temperature of about 25°C. Hotter conditions will reduce the life of the battery.

Ginetta Cars

Your future in motorsport

G40 Speedo Calibration Instruction

The calibration number provided by C.A.I, based on tyres specified by Ginetta, is: **026200**

Method

- Press and hold trip button on Speedo
- Turn ignition ON, Speedo needle will travel to maximum and return to zero, BEFORE the needle reaches zero release the trip button.
- The Speedo LCD display will show SET-UP
- Press and hold the trip button for 2-3 seconds and the display will show the current setting. Each digit, starting from the left, will flash in turn for about 2 seconds. When the digit you wish to change starts flashing pressing the trip button, this will increase it by 1 until the desired number is reached.
- At the end of this sequence all digits will flash together, press the trip button to store the number and the display will show DONE.
- After a few seconds the display will show SETPPU, turn ignition OFF.

Ginetta Cars

Your future in motorsport

TO ALL GINETTA OWNERS AND DRIVERS

As you are probably aware there was an accident involving Hunter Abbott in the Ginetta G50 GT4 car which has made everybody at Ginetta think – particularly about the fact that motor racing is dangerous and that the cars we build are going to be entering into an environment where accidents happen and the unexpected occurs.

Whilst we do all that we can within the constraints of providing affordable cars for people to compete in, to make the cars as safe as possible to meet the expected unexpected we cannot eliminate all risks of accidents happening or provide a totally safe environment in which those who drive the cars compete.

Every driver and every person involved in the preparation of the cars for circuit use can and should take steps themselves to limit the risks of accidents happening and to minimise the consequences of any accidents.

Whilst Hunter's accident was completely out of the ordinary Lawrence Tomlinson has his own experience of flight at Oulton Park in a Ginetta G20 and he has done his best to make sure that everybody learns from the mistakes of others.

Whilst the following are not directly related to these accidents there are points which Ginetta Cars Ltd feel should be borne in mind when Ginetta Cars are used.

- 1 All racing cars require regular inspection and mechanical checks to make sure that everything is as it should be. If you are in any doubt there are normally Ginetta staff at the circuit that will be happy to inform and advise as best they can on any problems you experience.
- 2 All drivers should be fully familiar with the use and proper operation of their seat harnesses. They are fitted and required for reasons of safety and their proper operation should be second nature to a driver before he or she goes out on circuit. The harness should be properly secured to hold the driver in the seat and all points connected. Whilst we cannot offer training in evacuation from a burning car whilst it is upside down drivers have to be aware that they may need to get out quick and should prepare for this.

Ginetta Cars

Your future in motorsport

- 3 Fire is an ever present risk and so caution should be taken when fuelling cars. Hot metal can ignite fuel and precautions should be taken to ensure that cars are not overfilled with fuel.
- 4 A closed visor does help prevent burns to the face.
- 5 Check to ensure that safety pins from internal fire extinguishers are removed when the car goes on circuit. The pin provides security against accidental discharge when the car is being worked on and in the paddock. On circuit the extinguisher should be ready for instant activation by driver or marshals. Again drivers should be aware that they might need to activate a fire extinguisher and know what to do before they go out on circuit.
- 6 Tyres are not wholly predictable in the amount of grip which they provide and care should be taken when trying to warm them. Grip can suddenly appear and if this is not expected in circumstances where a driver is weaving an accident can occur.

Ginetta Cars

Your future in motorsport

Ginetta Cars Contacts

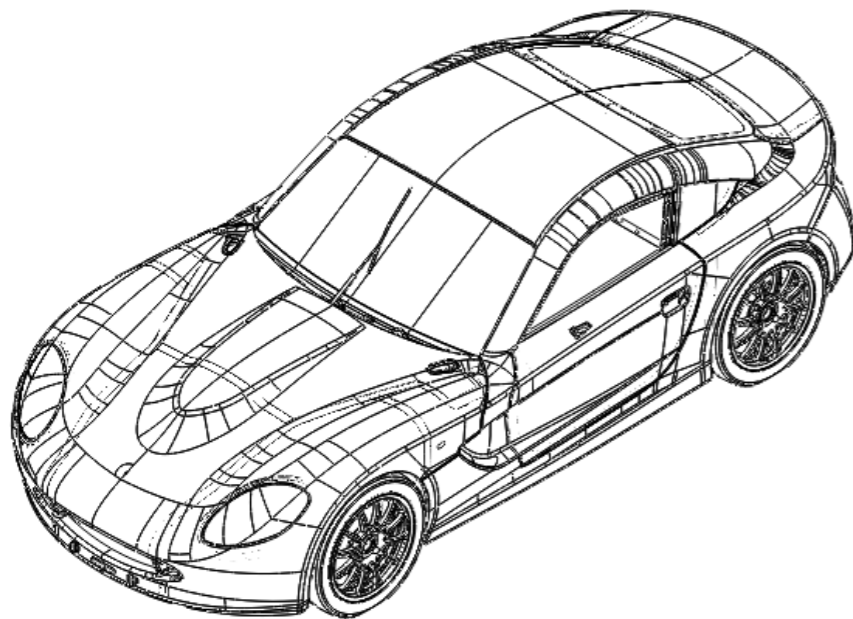
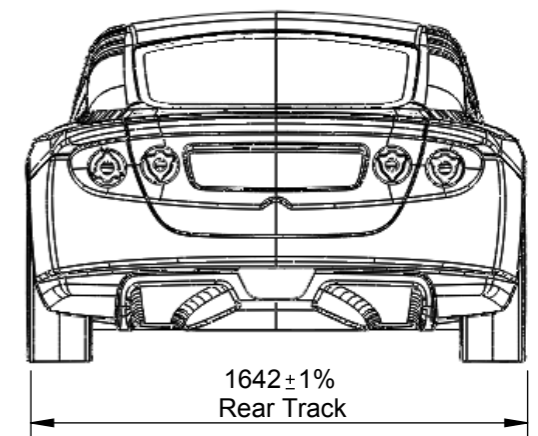
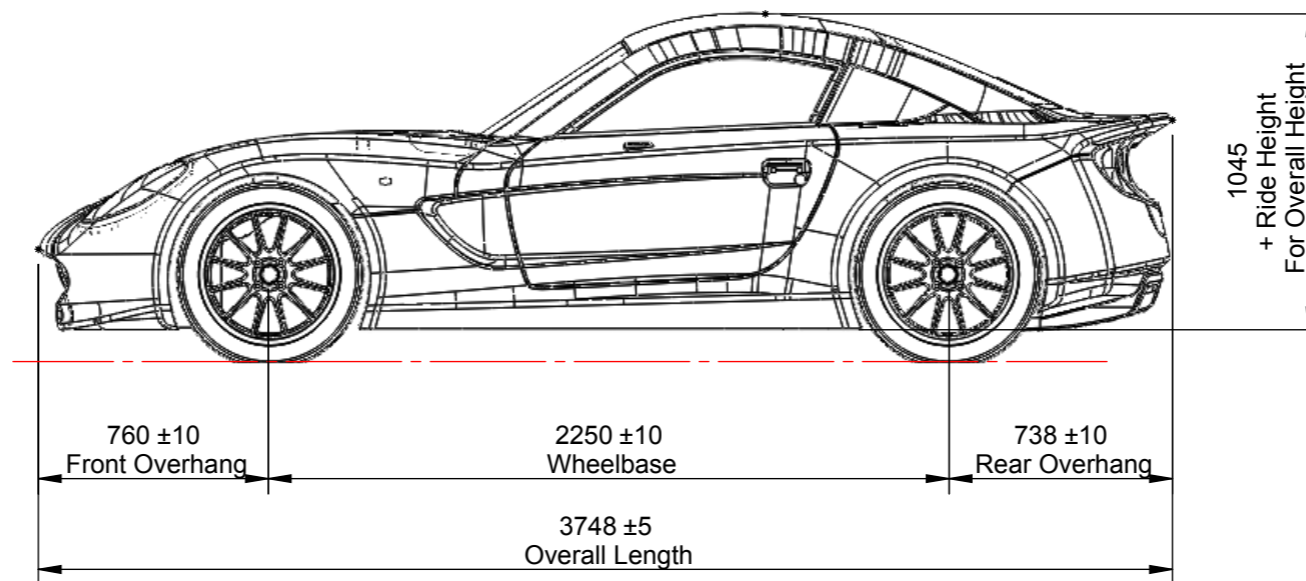
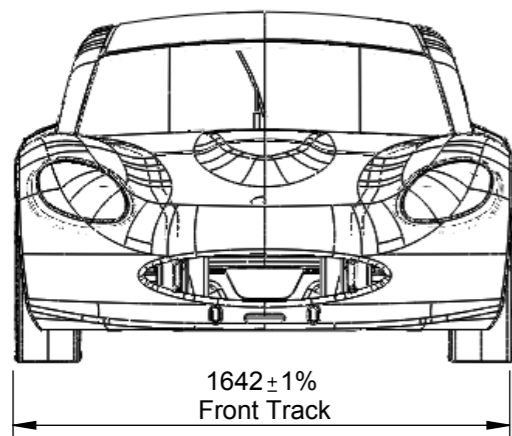
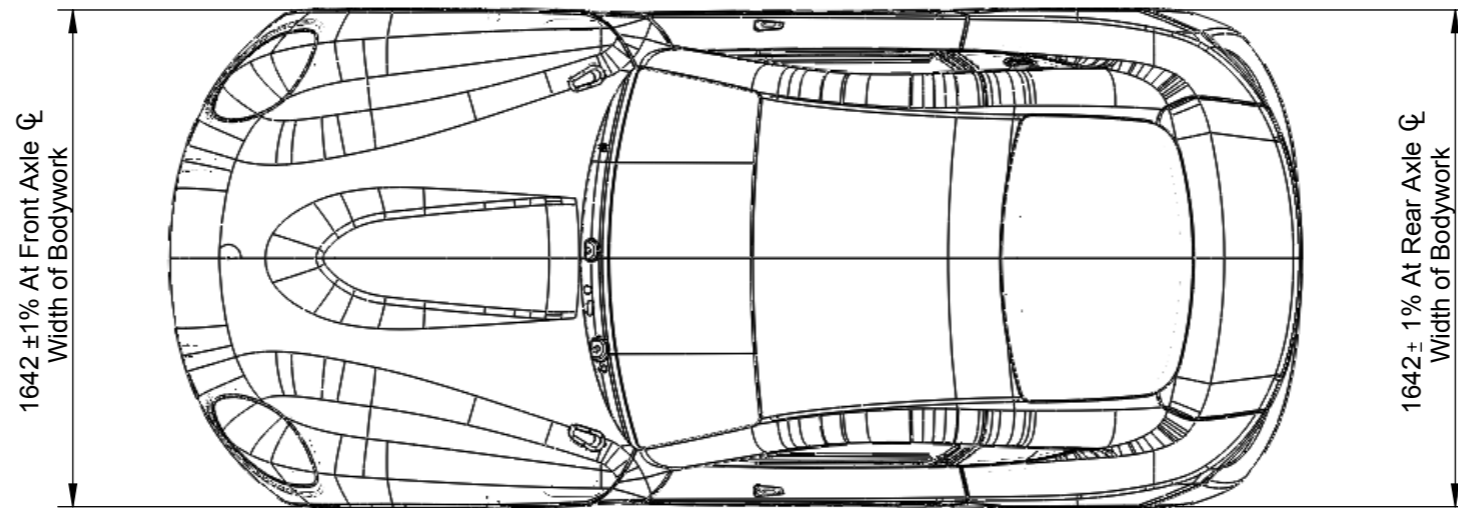
For any queries on the Ginetta G40, or about Ginetta Cars, please use the relative contacts below to help us deal with your queries as smoothly as possible.

- Championship enquires – Stewart Linn – 0113 385 4165
- Technical enquires – Simon Finnis, Marcos Lameirao, or Dan Martin – 0113 3854148 – 0113 3854170 – 0113 3854167
- Parts and ordering – James Morgan– 0113 3854164 (stores@ginettacars.com)
- General enquires – Julie Harrison – 08452 105050
- Media enquires – Aimi Mcniell – 0113 3853564
- Sales enquiries – Mike Simpson - 0113 3854171
- Design enquires – Marcos Lameirao – Dan Martin – 0113 3854170 – 0113 3854167

Alternatively Ginetta Cars can be reached by the following;

- Ginetta Main Line – 08452 105050
- By Fax – 0113 3854141
- E- mail – enquires@ginettacars.com

REV.	DESCRIPTION	DATE	APPROVED					
------	-------------	------	----------	--	--	--	--	--



WEIGHT(g)	N/A	MATERIAL	N/A	COPYRIGHT NOTE THIS DRAWING AND INFORMATION IS THE PROPERTY OF LNT AUTOMOTIVE AND MUST NOT BE REPRODUCED, USED FOR MANUFACTURE OR DISCLOSED TO A THIRD PARTY WITHOUT WRITTEN CONSENT.	
TOLERANCE :	UNLESS STATED	FINISH	N/A	PROJECTION THIRD ANGLE	DO NOT SCALE IF IN DOUBT ASK ALL DIMENSIONS IN MILLIMETRES
LINEAR	±0.1mm	ANGULAR	±0.5°		QUANTITY PER CAR: 01
DRAWN	AS	DESCRIPTION	G40 - X0019 - Overall Dimension Schematic		
DATE	26.11.09	SCALE	1:25	A3	SHEET 1 OF 1
APPROVED	ML	DRG. NO.	G40 - X0019		REV. -

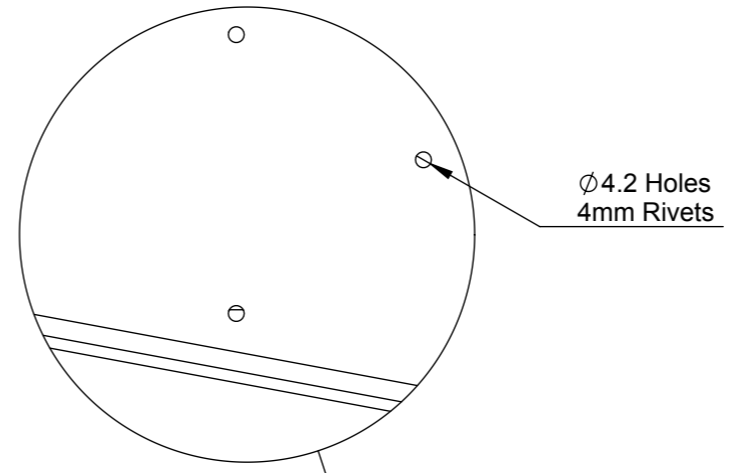
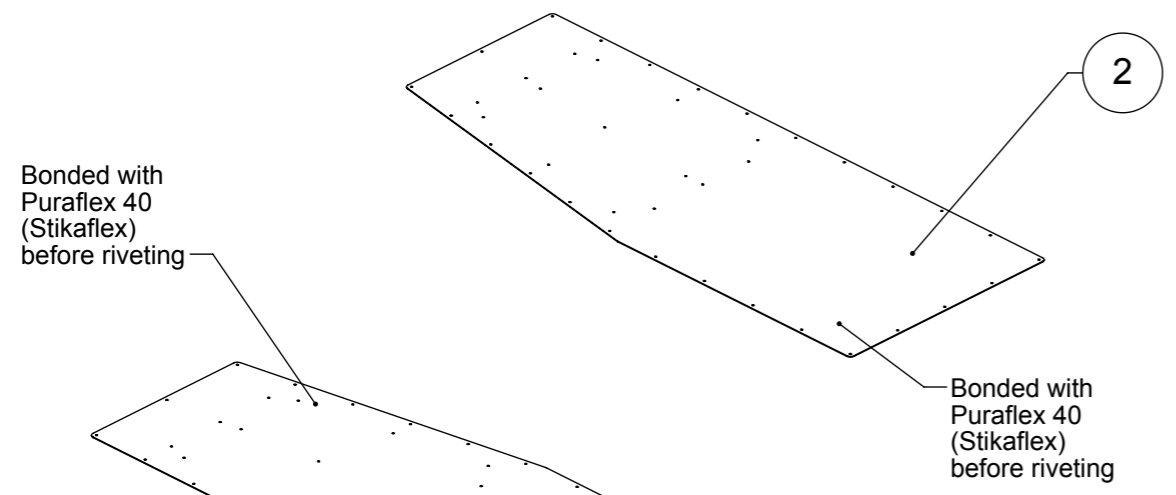
Ginetta Cars, Unit 2, Helios 47, 1 Isabella Road, Garforth, West Yorkshire, England LS25 2DY.
Tel: 44 (0)1909 515 116 Fax: 44 (0)1909 515 699 www.Ginettacars.com



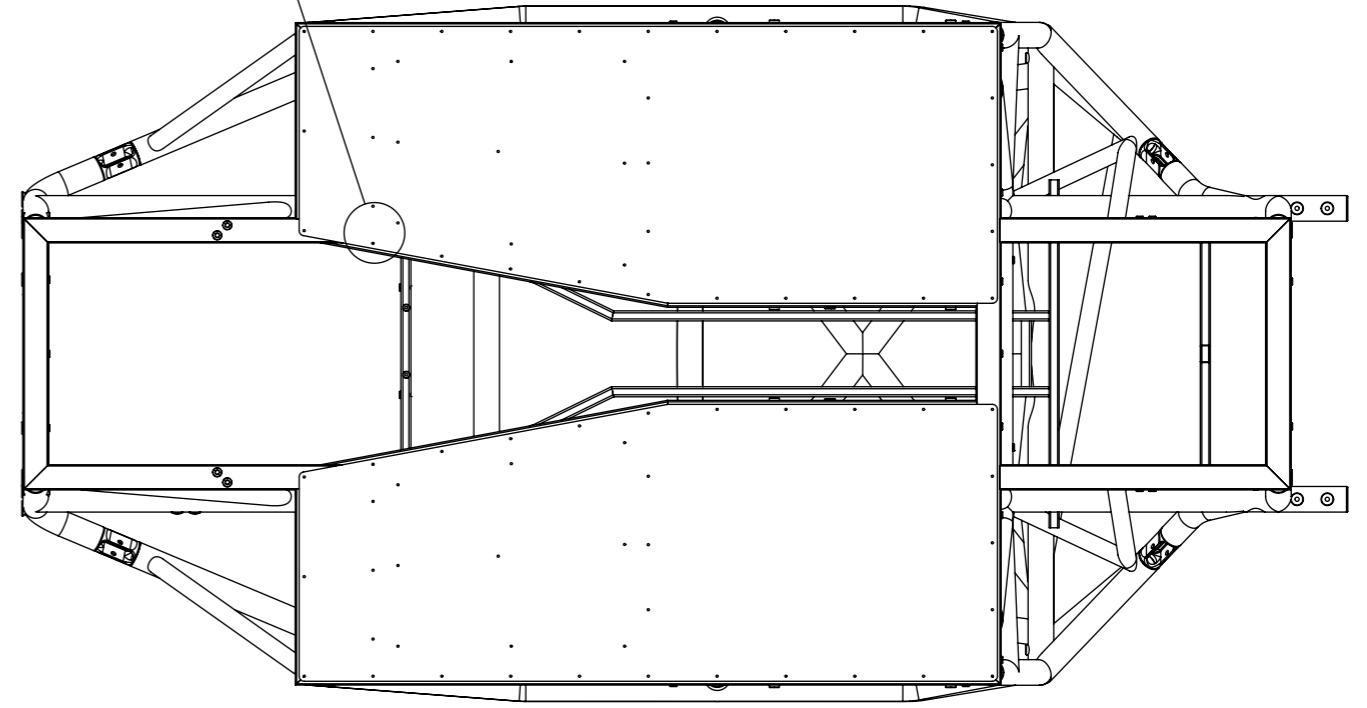
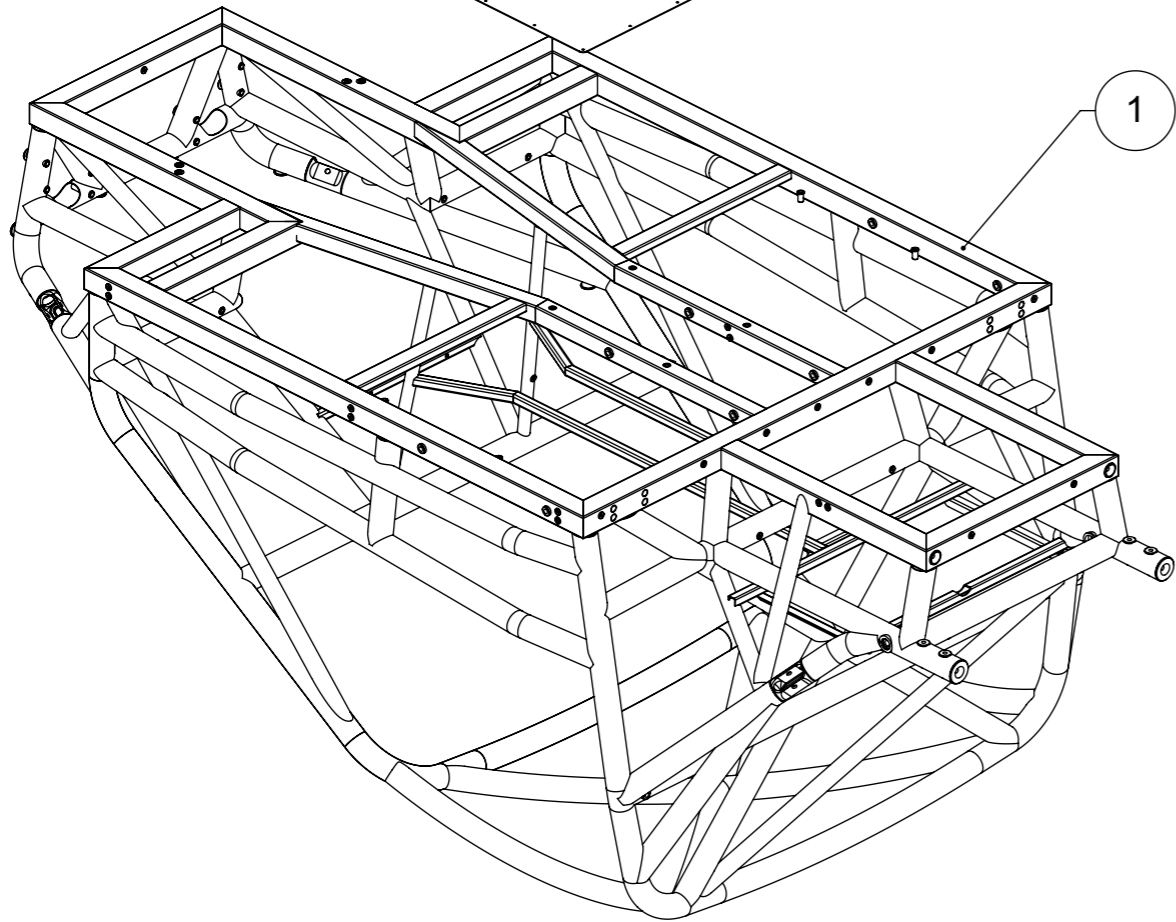
LNT automotive

REV.	DESCRIPTION	DATE	APPROVED
------	-------------	------	----------

ITEM NO.	GRADE	PART NUMBER	DESCRIPTION	QTY.	TORQUE FT LB'S
1	A	G40 - A0001	G40 Chassis	1	
2	A	G40 - A0123-A	G40 Floor Skin	2	

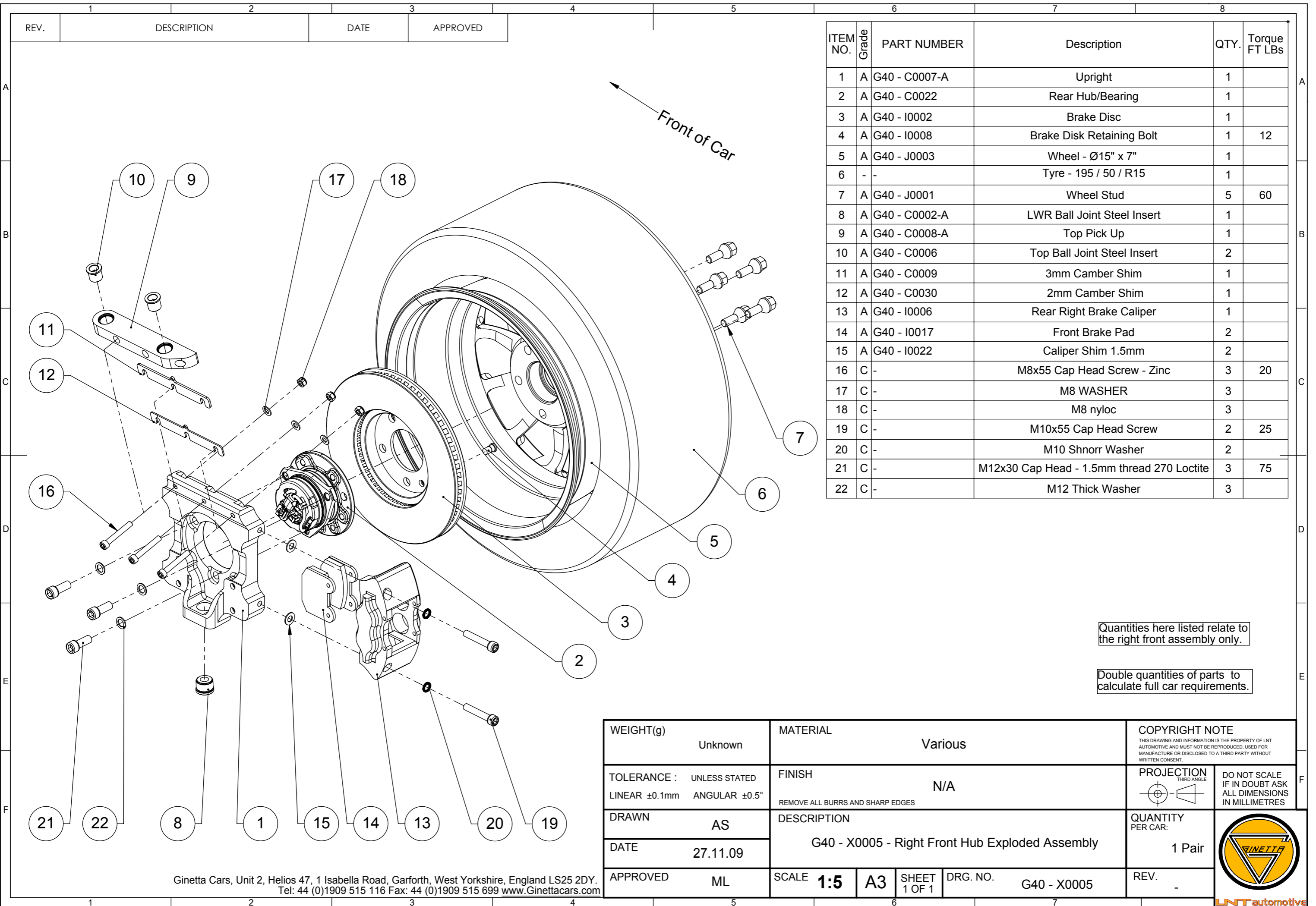


DETAIL A
SCALE 1 : 2



WEIGHT(g)	N/A	MATERIAL	N/A	COPYRIGHT NOTE THIS DRAWING AND INFORMATION IS THE PROPERTY OF LNT AUTOMOTIVE AND MUST NOT BE REPRODUCED, USED FOR MANUFACTURE OR DISCLOSED TO A THIRD PARTY WITHOUT WRITTEN CONSENT.		
TOLERANCE :	UNLESS STATED LINEAR ±0.1mm ANGULAR ±0.5°	FINISH	N/A	PROJECTION THIRD ANGLE 	DO NOT SCALE IF IN DOUBT ASK ALL DIMENSIONS IN MILLIMETRES	
DRAWN	AS	DESCRIPTION		QUANTITY PER CAR:		
DATE	26.11.09	G40 - X0020 - Floor Panels		N/A		
APPROVED	ML	SCALE	1:15	A3		SHEET 1 OF 1
		DRG. NO.	G40 - X0020	REV.	-	

Ginetta Cars, Unit 2, Helios 47, 1 Isabella Road, Garforth, West Yorkshire, England LS25 2DY.
Tel: 44 (0)1909 515 116 Fax: 44 (0)1909 515 699 www.Ginettacars.com



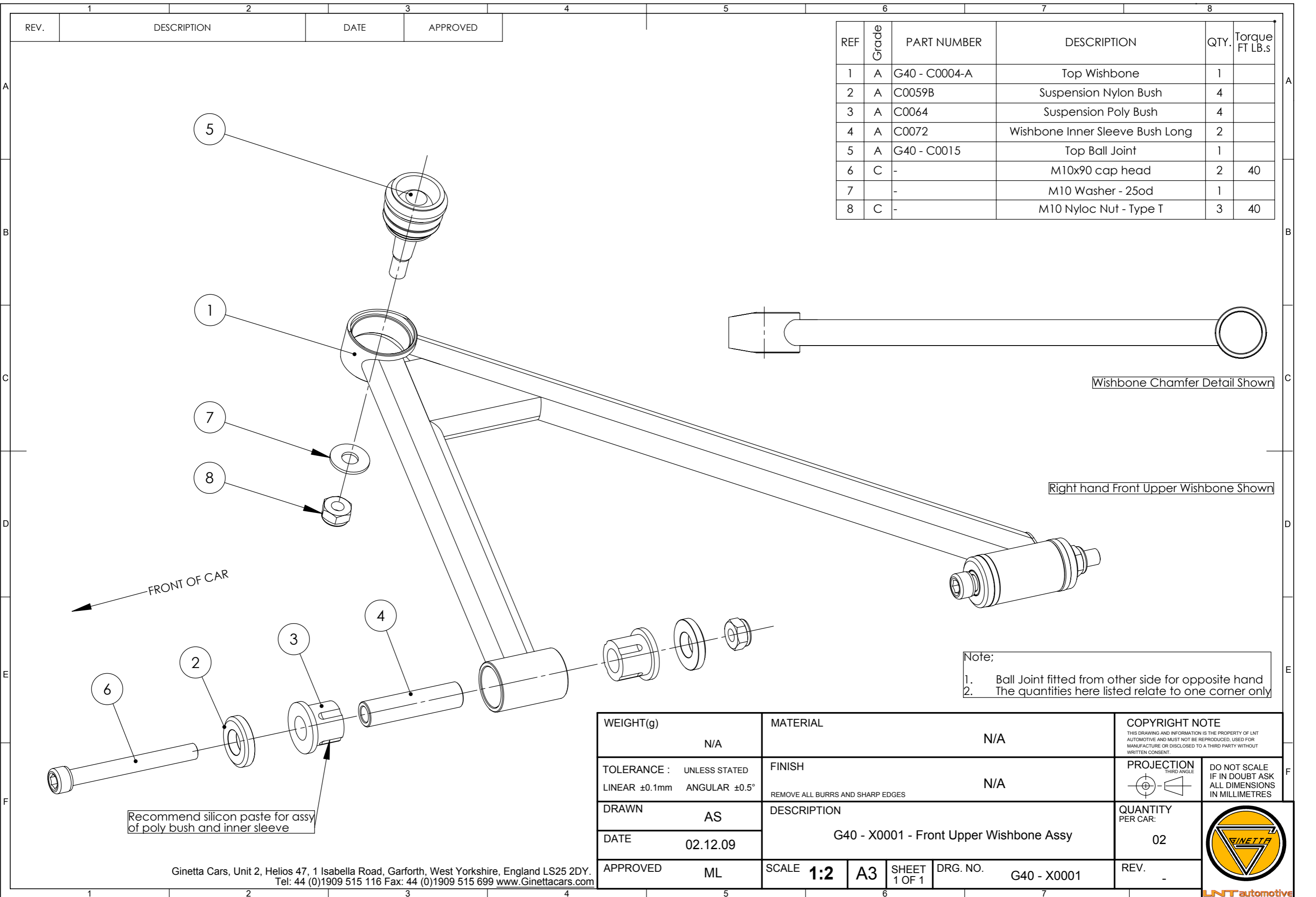
ITEM NO.	Grade	PART NUMBER	Description	QTY.	Torque FT LBS
1	A	G40 - C0007-A	Upright	1	
2	A	G40 - C0022	Rear Hub/Bearing	1	
3	A	G40 - I0002	Brake Disc	1	
4	A	G40 - I0008	Brake Disk Retaining Bolt	1	12
5	A	G40 - J0003	Wheel - Ø15" x 7"	1	
6	-	-	Tyre - 195 / 50 / R15	1	
7	A	G40 - J0001	Wheel Stud	5	60
8	A	G40 - C0002-A	LWR Ball Joint Steel Insert	1	
9	A	G40 - C0008-A	Top Pick Up	1	
10	A	G40 - C0006	Top Ball Joint Steel Insert	2	
11	A	G40 - C0009	3mm Camber Shim	1	
12	A	G40 - C0030	2mm Camber Shim	1	
13	A	G40 - I0006	Rear Right Brake Caliper	1	
14	A	G40 - I0017	Front Brake Pad	2	
15	A	G40 - I0022	Caliper Shim 1.5mm	2	
16	C	-	M8x55 Cap Head Screw - Zinc	3	20
17	C	-	M8 WASHER	3	
18	C	-	M8 nyloc	3	
19	C	-	M10x55 Cap Head Screw	2	25
20	C	-	M10 Shnorr Washer	2	
21	C	-	M12x30 Cap Head - 1.5mm thread 270 Loctite	3	75
22	C	-	M12 Thick Washer	3	

Quantities here listed relate to the right front assembly only.

Double quantities of parts to calculate full car requirements.

WEIGHT(g)	Unknown	MATERIAL	Various		COPYRIGHT NOTE THIS DRAWING AND INFORMATION IS THE PROPERTY OF LNT AUTOMOTIVE AND MUST NOT BE REPRODUCED, USED FOR MANUFACTURE OR DISCLOSED TO A THIRD PARTY WITHOUT WRITTEN CONSENT.	
TOLERANCE :	UNLESS STATED LINEAR ±0.1mm ANGULAR ±0.5°	FINISH	N/A REMOVE ALL BURRS AND SHARP EDGES		PROJECTION THIRD ANGLE 	DO NOT SCALE IF IN DOUBT ASK ALL DIMENSIONS IN MILLIMETRES
DRAWN	AS	DESCRIPTION	G40 - X0005 - Right Front Hub Exploded Assembly		QUANTITY PER CAR:	1 Pair
DATE	27.11.09	APPROVED	ML	SCALE 1:5	A3	SHEET 1 OF 1
DRG. NO.	G40 - X0005	REV.	-	LNT automotive		

Ginetta Cars, Unit 2, Helios 47, 1 Isabella Road, Garforth, West Yorkshire, England LS25 2DY.
Tel: 44 (0)1909 515 116 Fax: 44 (0)1909 515 699 www.Ginettacars.com



REF	Grade	PART NUMBER	DESCRIPTION	QTY.	Torque FT LB.s
1	A	G40 - C0004-A	Top Wishbone	1	
2	A	C0059B	Suspension Nylon Bush	4	
3	A	C0064	Suspension Poly Bush	4	
4	A	C0072	Wishbone Inner Sleeve Bush Long	2	
5	A	G40 - C0015	Top Ball Joint	1	
6	C	-	M10x90 cap head	2	40
7	-	-	M10 Washer - 25od	1	
8	C	-	M10 Nyloc Nut - Type T	3	40

Wishbone Chamfer Detail Shown

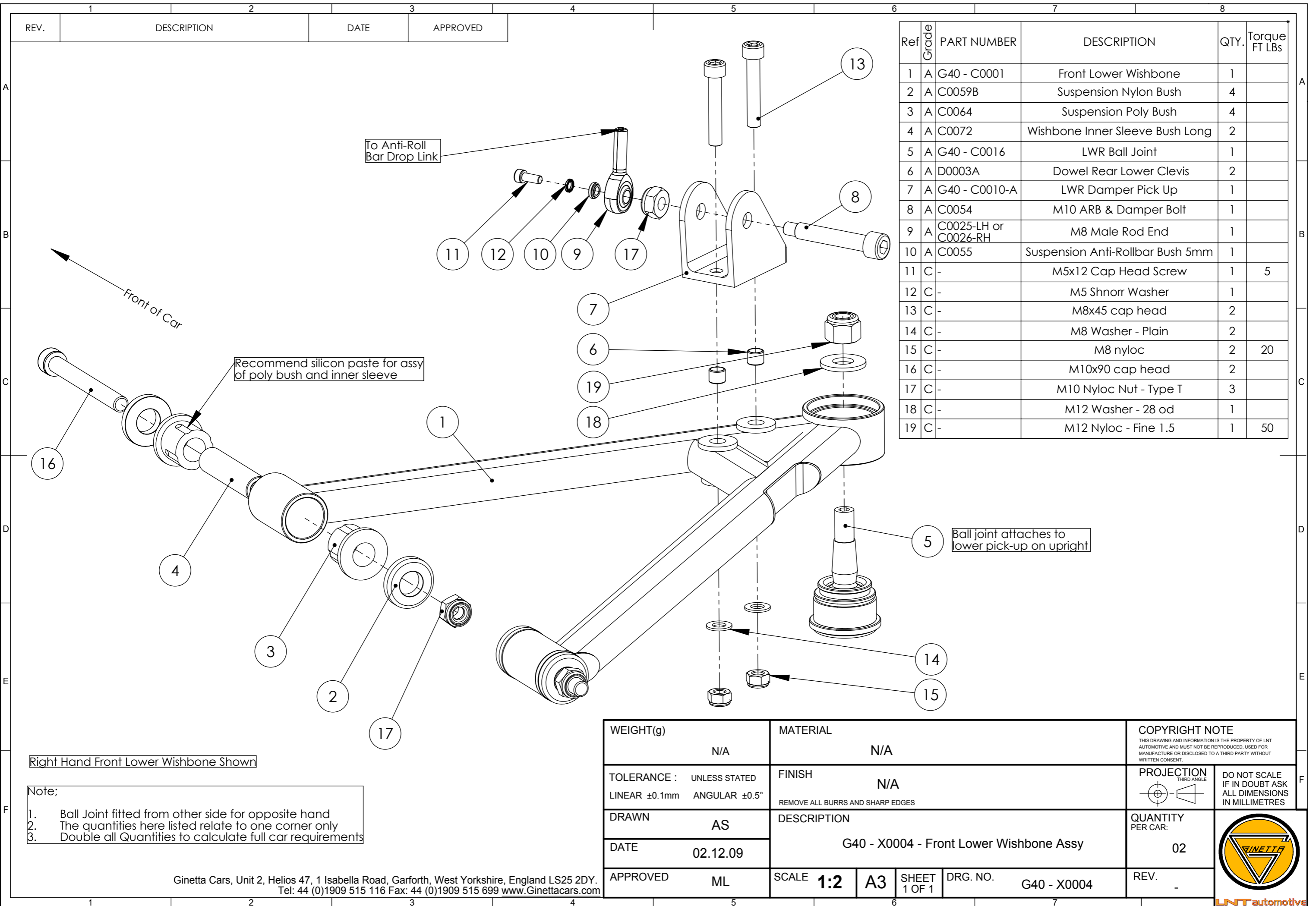
Right hand Front Upper Wishbone Shown

Note;
 1. Ball Joint fitted from other side for opposite hand
 2. The quantities here listed relate to one corner only

Recommend silicon paste for assy of poly bush and inner sleeve

WEIGHT(g)	N/A	MATERIAL	N/A	COPYRIGHT NOTE THIS DRAWING AND INFORMATION IS THE PROPERTY OF LNT AUTOMOTIVE AND MUST NOT BE REPRODUCED, USED FOR MANUFACTURE OR DISCLOSED TO A THIRD PARTY WITHOUT WRITTEN CONSENT.	
TOLERANCE :	UNLESS STATED LINEAR ±0.1mm ANGULAR ±0.5°	FINISH	REMOVE ALL BURRS AND SHARP EDGES	PROJECTION THIRD ANGLE	DO NOT SCALE IF IN DOUBT ASK ALL DIMENSIONS IN MILLIMETRES
DRAWN	AS	DESCRIPTION	G40 - X0001 - Front Upper Wishbone Assy		
DATE	02.12.09	QUANTITY PER CAR:	02		
APPROVED	ML	SCALE	1:2	A3	SHEET 1 OF 1
Ginetta Cars, Unit 2, Helios 47, 1 Isabella Road, Garforth, West Yorkshire, England LS25 2DY. Tel: 44 (0)1909 515 116 Fax: 44 (0)1909 515 699 www.Ginettacars.com		DRG. NO.	G40 - X0001		REV.





To Anti-Roll Bar Drop Link

Recommend silicon paste for assy of poly bush and inner sleeve

Ball joint attaches to lower pick-up on upright

Right Hand Front Lower Wishbone Shown

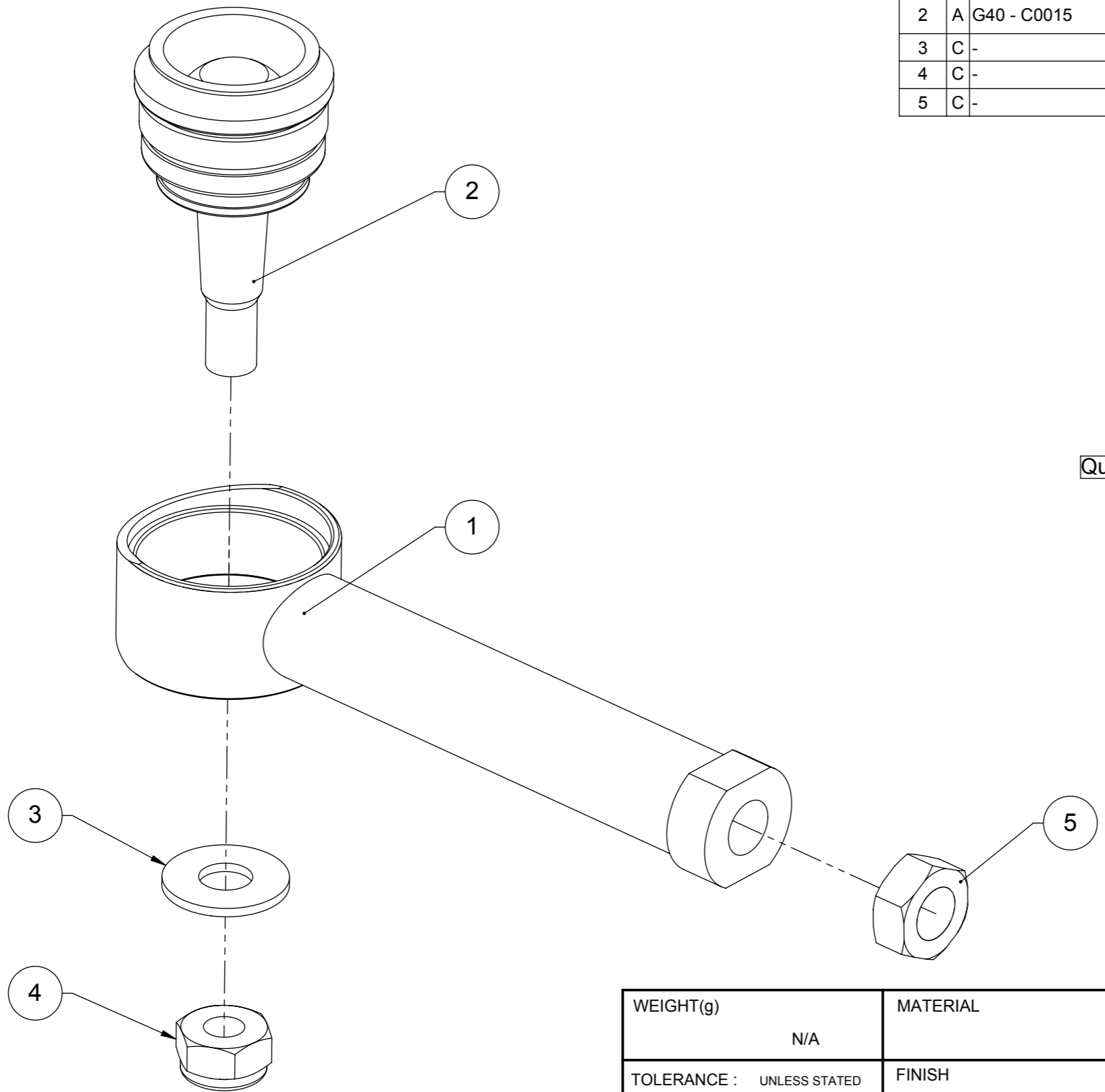
Note;
 1. Ball Joint fitted from other side for opposite hand
 2. The quantities here listed relate to one corner only
 3. Double all Quantities to calculate full car requirements

Ref	Grade	PART NUMBER	DESCRIPTION	QTY.	Torque FT LBS
1	A	G40 - C0001	Front Lower Wishbone	1	
2	A	C0059B	Suspension Nylon Bush	4	
3	A	C0064	Suspension Poly Bush	4	
4	A	C0072	Wishbone Inner Sleeve Bush Long	2	
5	A	G40 - C0016	LWR Ball Joint	1	
6	A	D0003A	Dowel Rear Lower Clevis	2	
7	A	G40 - C0010-A	LWR Damper Pick Up	1	
8	A	C0054	M10 ARB & Damper Bolt	1	
9	A	C0025-LH or C0026-RH	M8 Male Rod End	1	
10	A	C0055	Suspension Anti-Rollbar Bush 5mm	1	
11	C	-	M5x12 Cap Head Screw	1	5
12	C	-	M5 Shnorr Washer	1	
13	C	-	M8x45 cap head	2	
14	C	-	M8 Washer - Plain	2	
15	C	-	M8 nyloc	2	20
16	C	-	M10x90 cap head	2	
17	C	-	M10 Nyloc Nut - Type T	3	
18	C	-	M12 Washer - 28 od	1	
19	C	-	M12 Nyloc - Fine 1.5	1	50

WEIGHT(g)	N/A	MATERIAL	N/A	COPYRIGHT NOTE THIS DRAWING AND INFORMATION IS THE PROPERTY OF LNT AUTOMOTIVE AND MUST NOT BE REPRODUCED, USED FOR MANUFACTURE OR DISCLOSED TO A THIRD PARTY WITHOUT WRITTEN CONSENT.	
TOLERANCE :	UNLESS STATED LINEAR ±0.1mm ANGULAR ±0.5°	FINISH	N/A REMOVE ALL BURRS AND SHARP EDGES	PROJECTION THIRD ANGLE 	DO NOT SCALE IF IN DOUBT ASK ALL DIMENSIONS IN MILLIMETRES
DRAWN	AS	DESCRIPTION	G40 - X0004 - Front Lower Wishbone Assy		
DATE	02.12.09	QUANTITY PER CAR:	02		
APPROVED	ML	SCALE	1:2	A3	SHEET 1 OF 1
Ginetta Cars, Unit 2, Helios 47, 1 Isabella Road, Garforth, West Yorkshire, England LS25 2DY. Tel: 44 (0)1909 515 116 Fax: 44 (0)1909 515 699 www.Ginettacars.com		DRG. NO.	G40 - X0004		REV.

1	2	3	4	5	6	7	8
REV.	DESCRIPTION	DATE	APPROVED				

ITEM NO.	GRADE	PART NUMBER	DESCRIPTION	QTY.	TORQUE FT LBS
1	A	G40 - C0012-B	Toe Link Adjuster Assembly	1	
2	A	G40 - C0015	Top Ball Joint	1	
3	C	-	M10 Washer - 25od	1	
4	C	-	M10x1.25 Nyloc Nut	1	40
5	C	-	1/2" UNF Locknut	1	

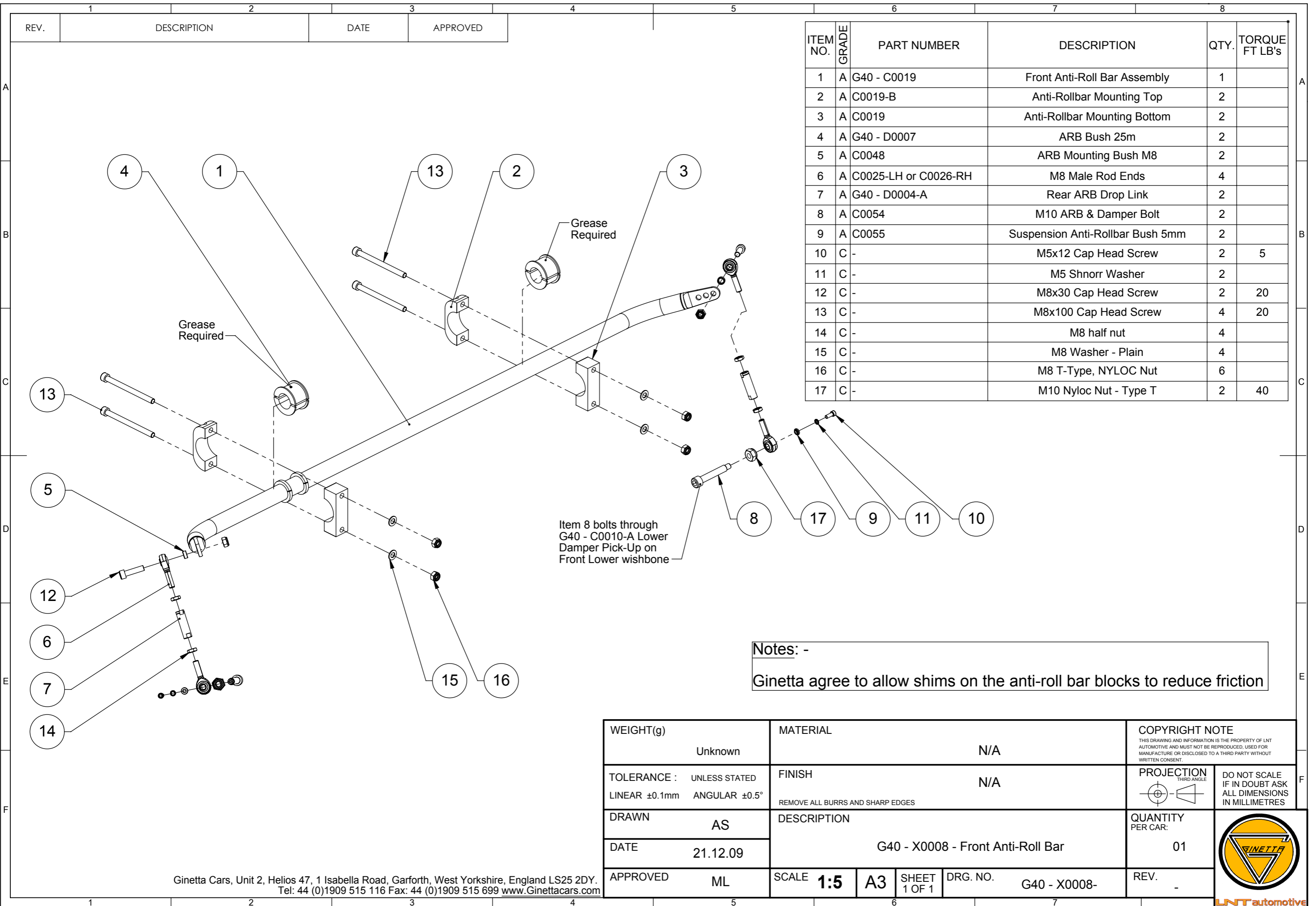


Quantities here listed relate to the right front assembly only.

All 4 corner assemblies are identical

WEIGHT(g)	N/A	MATERIAL	N/A	COPYRIGHT NOTE THIS DRAWING AND INFORMATION IS THE PROPERTY OF LNT AUTOMOTIVE AND MUST NOT BE REPRODUCED, USED FOR MANUFACTURE OR DISCLOSED TO A THIRD PARTY WITHOUT WRITTEN CONSENT.	
TOLERANCE :	UNLESS STATED LINEAR ±0.1mm ANGULAR ±0.5°	FINISH	N/A	PROJECTION THIRD ANGLE 	DO NOT SCALE IF IN DOUBT ASK ALL DIMENSIONS IN MILLIMETRES
DRAWN	AS	DESCRIPTION		QUANTITY PER CAR:	
DATE	14.12.09	G40 - X0007 - Toe Link Adjuster Assy		04	
APPROVED	ML	SCALE	1:1	A3	
		DRG. NO.	G40 - X0007	REV.	-

Ginetta Cars, Unit 2, Helios 47, 1 Isabella Road, Garforth, West Yorkshire, England LS25 2DY.
Tel: 44 (0)1909 515 116 Fax: 44 (0)1909 515 699 www.Ginettacars.com



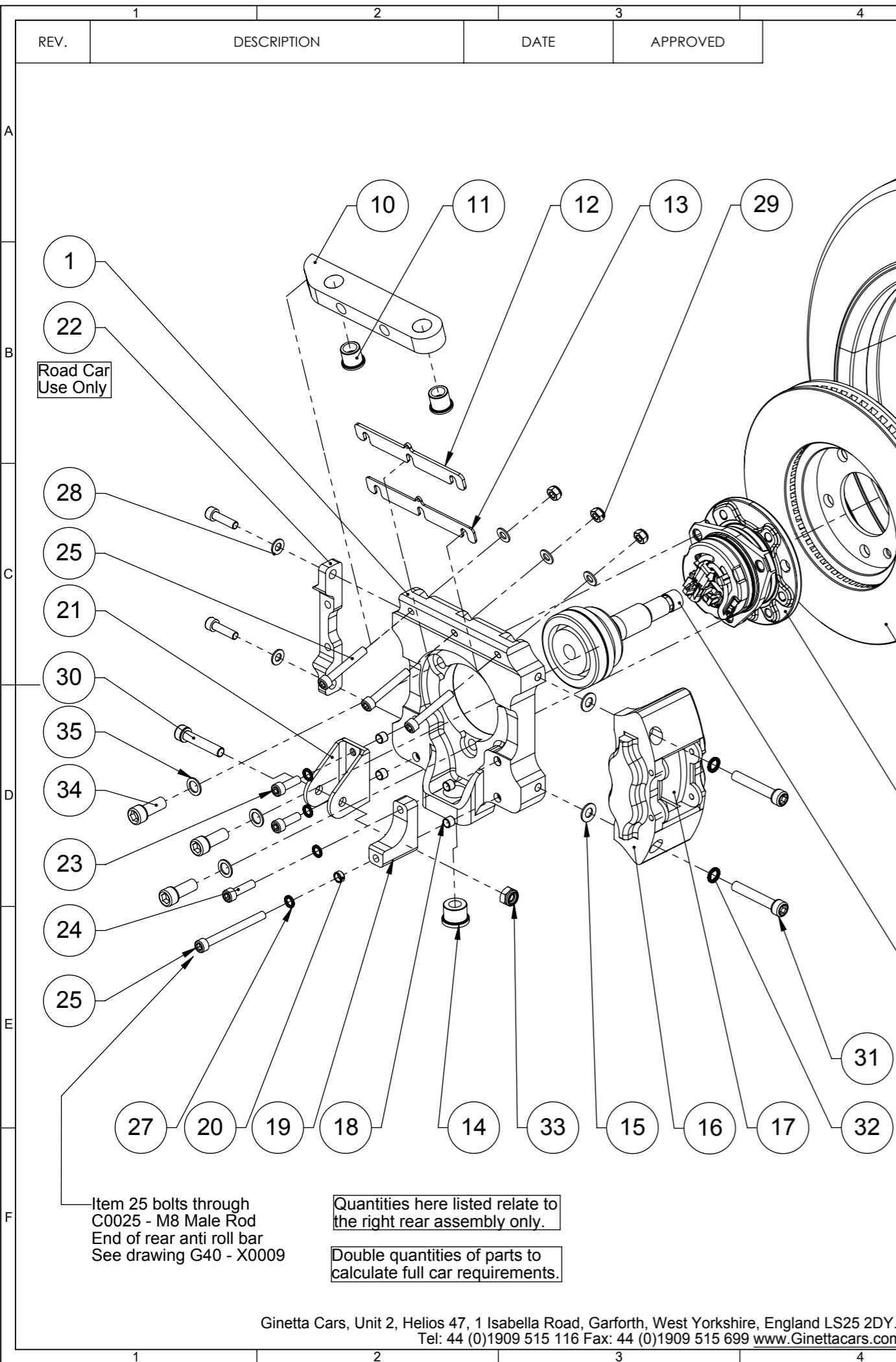
ITEM NO.	GRADE	PART NUMBER	DESCRIPTION	QTY.	TORQUE FT LB's
1	A	G40 - C0019	Front Anti-Roll Bar Assembly	1	
2	A	C0019-B	Anti-Rollbar Mounting Top	2	
3	A	C0019	Anti-Rollbar Mounting Bottom	2	
4	A	G40 - D0007	ARB Bush 25m	2	
5	A	C0048	ARB Mounting Bush M8	2	
6	A	C0025-LH or C0026-RH	M8 Male Rod Ends	4	
7	A	G40 - D0004-A	Rear ARB Drop Link	2	
8	A	C0054	M10 ARB & Damper Bolt	2	
9	A	C0055	Suspension Anti-Rollbar Bush 5mm	2	
10	C	-	M5x12 Cap Head Screw	2	5
11	C	-	M5 Shnorr Washer	2	
12	C	-	M8x30 Cap Head Screw	2	20
13	C	-	M8x100 Cap Head Screw	4	20
14	C	-	M8 half nut	4	
15	C	-	M8 Washer - Plain	4	
16	C	-	M8 T-Type, NYLOC Nut	6	
17	C	-	M10 Nyloc Nut - Type T	2	40

Notes: -
Ginetta agree to allow shims on the anti-roll bar blocks to reduce friction

WEIGHT(g) Unknown	MATERIAL N/A	COPYRIGHT NOTE <small>THIS DRAWING AND INFORMATION IS THE PROPERTY OF LNT AUTOMOTIVE AND MUST NOT BE REPRODUCED, USED FOR MANUFACTURE OR DISCLOSED TO A THIRD PARTY WITHOUT WRITTEN CONSENT.</small>	
TOLERANCE : LINEAR ±0.1mm ANGULAR ±0.5°	FINISH REMOVE ALL BURRS AND SHARP EDGES N/A	PROJECTION THIRD ANGLE 	DO NOT SCALE IF IN DOUBT ASK ALL DIMENSIONS IN MILLIMETRES
DRAWN AS	DESCRIPTION G40 - X0008 - Front Anti-Roll Bar		QUANTITY PER CAR: 01
DATE 21.12.09	SCALE 1:5		DRG. NO. G40 - X0008-
APPROVED ML	A3	SHEET 1 OF 1	REV. -

Ginetta Cars, Unit 2, Helios 47, 1 Isabella Road, Garforth, West Yorkshire, England LS25 2DY.
Tel: 44 (0)1909 515 116 Fax: 44 (0)1909 515 699 www.Ginettacars.com





ITEM NO.	Grade	PART NUMBER	DESCRIPTION	QTY.	Torque FT LBS
1	A	G40 - C0007-A	Upright	1	
2	A	G40 - G0017	Outboard CV Joint	1	
3	A	G40 - C0022	Rear Hub/Bearing	1	
4	A	G40 - I0002	Brake Disc	1	
5	A	G40 - I0008	Brake Disk Retaining Bolt	1	12
6	A	-	Castle Nut	1	150
7	-	-	Tyre - 195 / 50 / R15	1	
8	A	G40 - J0003	Wheel - Ø15" x 7"	1	
9	A	G40 - J0001	Wheel Stud	5	60
10	A	G40 - C0008-A	Top Pick Up	1	
11	A	G40 - C0006	Top Ball Joint Steel Insert	2	
12	A	G40 - C0009	3mm Camber Shim	1	
13	A	G40 - C0030	2mm Camber Shim	1	
14	A	G40 - C0002-A	LWR Ball Joint Steel Insert	1	
15	G40 - I0022	Caliper Shim 1.5mm	2		
16	A	G40 - I0006	Rear Right Brake Caliper	1	
17	A	G40 - I0018	Rear Brake Pad	2	
18	A	D0003A	Dowel Rear Lower Clevis	4	
19	A	G40 - D0010	Rear ARB MTG Block	1	
20	A	C0048	ARB Mounting Bush M8	1	
21	A	G40 - C0010-A	LWR Damper Pick Up	1	
22	A	G40 - I0001-A	Spot Caliper MTG BRKT (Road Only)	1	
23	C	-	M8x25 Cap Head Screw	2	20
24	C	-	M8x30 Cap Head Screw	3	20
25	C	-	M8x55 Cap Head Screw	3	20
25	C	-	M8x85 Cap Head Screw	1	20
27	C	-	M8 Shnorr Washer	4	
28	C	-	M8 WASHER	5	
29	C	-	M8 nyloc	3	
30	C	-	M10x50 - Cap Head Screw	1	40
31	C	-	M10x60 Cap Head Screw	2	25
32	C	-	M10 Shnorr Washer	2	
33	C	-	M10 Nyloc Nut - Type T	1	
34	C	-	M12 x 30 Cap Head - 1.5 Thread	3	75 - 270 Loctite
35	C	-	M12 Thick Washer	3	
36	A	-	M4x40 Cotter Pin	1	

Rear hub nut to be tightened to 150 Ft-Lb's, then to the nearest hole.

Rear hub nut is secured with Item 36 - an M4x40 split pin

Item 25 bolts through C0025 - M8 Male Rod End of rear anti roll bar See drawing G40 - X0009

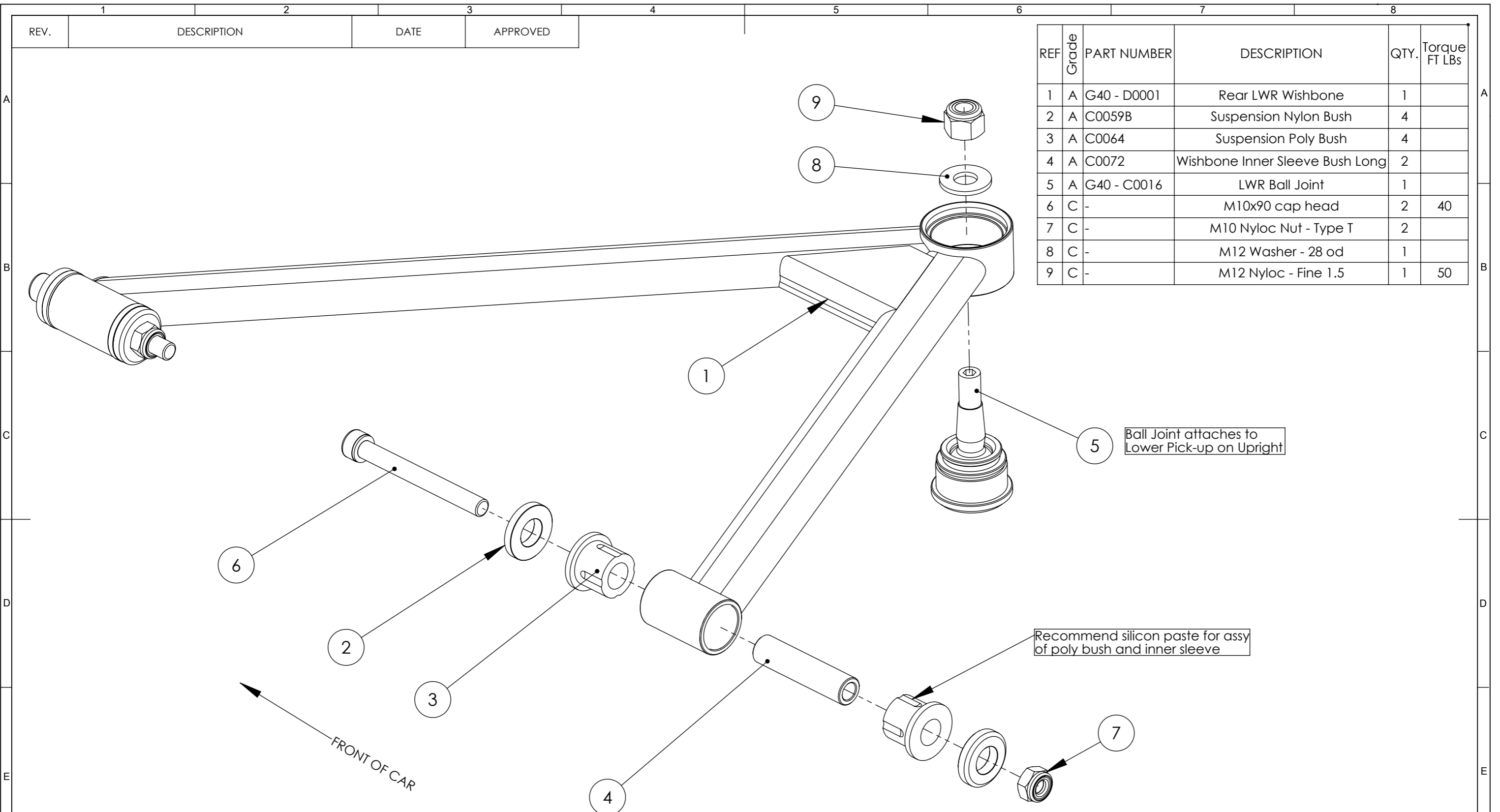
Quantities here listed relate to the right rear assembly only.
Double quantities of parts to calculate full car requirements.

WEIGHT(g)	N/A	MATERIAL	N/A	COPYRIGHT NOTE THIS DRAWING AND INFORMATION IS THE PROPERTY OF LNT AUTOMOTIVE AND MUST NOT BE REPRODUCED, USED FOR MANUFACTURE OR DISCLOSED TO A THIRD PARTY WITHOUT WRITTEN CONSENT.	
TOLERANCE :	UNLESS STATED LINEAR ±0.1mm ANGULAR ±0.5°	FINISH	Various	PROJECTION THIRD ANGLE	DO NOT SCALE IF IN DOUBT ASK ALL DIMENSIONS IN MILLIMETRES
DRAWN	AS	DESCRIPTION	G40 - X0006 - Rear Right Hub Eploded Assembly		
DATE	11.12.09	QUANTITY PER CAR:	1 Pair		
APPROVED	ML	SCALE	1:5	A3	SHEET 1 OF 1
		DRG. NO.	G40 - X0006		REV. -

Ginetta Cars, Unit 2, Helios 47, 1 Isabella Road, Garforth, West Yorkshire, England LS25 2DY.
Tel: 44 (0)1909 515 116 Fax: 44 (0)1909 515 699 www.Ginettacars.com



LNT automotive



REF	Grade	PART NUMBER	DESCRIPTION	QTY.	Torque FT LBS
1	A	G40 - D0001	Rear LWR Wishbone	1	
2	A	C0059B	Suspension Nylon Bush	4	
3	A	C0064	Suspension Poly Bush	4	
4	A	C0072	Wishbone Inner Sleeve Bush Long	2	
5	A	G40 - C0016	LWR Ball Joint	1	
6	C	-	M10x90 cap head	2	40
7	C	-	M10 Nyloc Nut - Type T	2	
8	C	-	M12 Washer - 28 od	1	
9	C	-	M12 Nyloc - Fine 1.5	1	50

Right Hand Rear Lower Wishbone Shown

- Note;
1. Ball Joint fitted from other side for opposite hand
 2. The quantities here listed relate to one corner only
 3. Double all Quantities to calculate full car requirements

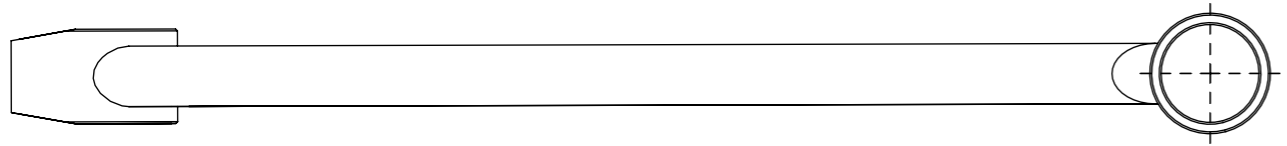
WEIGHT(g)	N/A	MATERIAL	N/A	COPYRIGHT NOTE THIS DRAWING AND INFORMATION IS THE PROPERTY OF LNT AUTOMOTIVE AND MUST NOT BE REPRODUCED, USED FOR MANUFACTURE OR DISCLOSED TO A THIRD PARTY WITHOUT WRITTEN CONSENT.	
TOLERANCE :	UNLESS STATED LINEAR ±0.1mm ANGULAR ±0.5°	FINISH	N/A	PROJECTION THIRD ANGLE 	DO NOT SCALE IF IN DOUBT ASK ALL DIMENSIONS IN MILLIMETRES
DRAWN	AS	DESCRIPTION	G40 - X0003- Rear Lower Wishbone Assy		
DATE	02.12.09	QUANTITY PER CAR:	02		
APPROVED	ML	SCALE	1:2	A3	SHEET 1 OF 1
		DRG. NO.	G40 - X0003		REV. -

Ginetta Cars, Unit 2, Helios 47, 1 Isabella Road, Garforth, West Yorkshire, England LS25 2DY.
Tel: 44 (0)1909 515 116 Fax: 44 (0)1909 515 699 www.Ginettacars.com



REV.	DESCRIPTION	DATE	APPROVED
------	-------------	------	----------

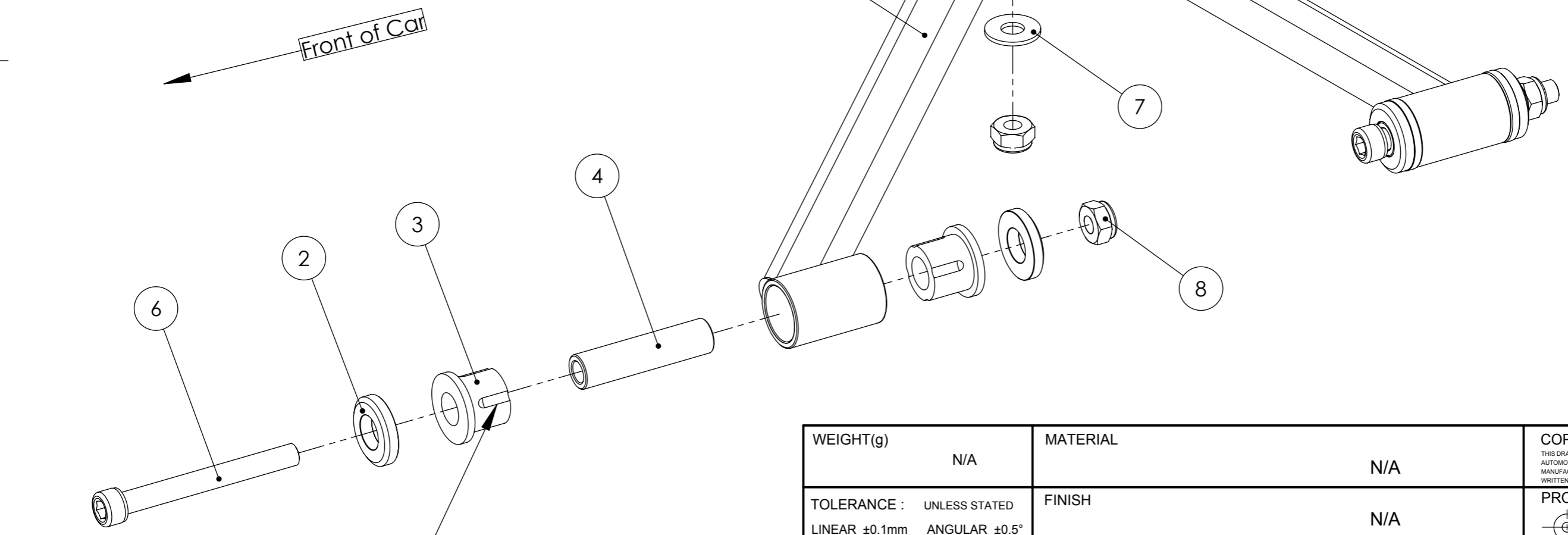
REF	Grade	PART NUMBER	DESCRIPTION	QTY.	Torque FT.LBs
1	A	G40 - D0002-A	Rear Top Wishbone	1	
2	A	C0059B	Suspension Nylon Bush	4	
3	A	C0064	Suspension Poly Bush	4	
4	A	C0072	Wishbone Inner Sleeve Bush Long	2	
5	A	G40 - C0015	Top Ball Joint	1	
6	C	-	M10x90 cap head	2	40
7	C	-	M10 Washer - 25od	1	
8	C	-	M10 Nyloc Nut - Fine Thread 1.25	3	40



Wishbone Chamfer Detail Shown

Note;
 1. Ball Joint fitted from other side for opposite hand
 2. The quantities here listed relate to one corner only
 3. Double all Quantities to calculate full car requirements

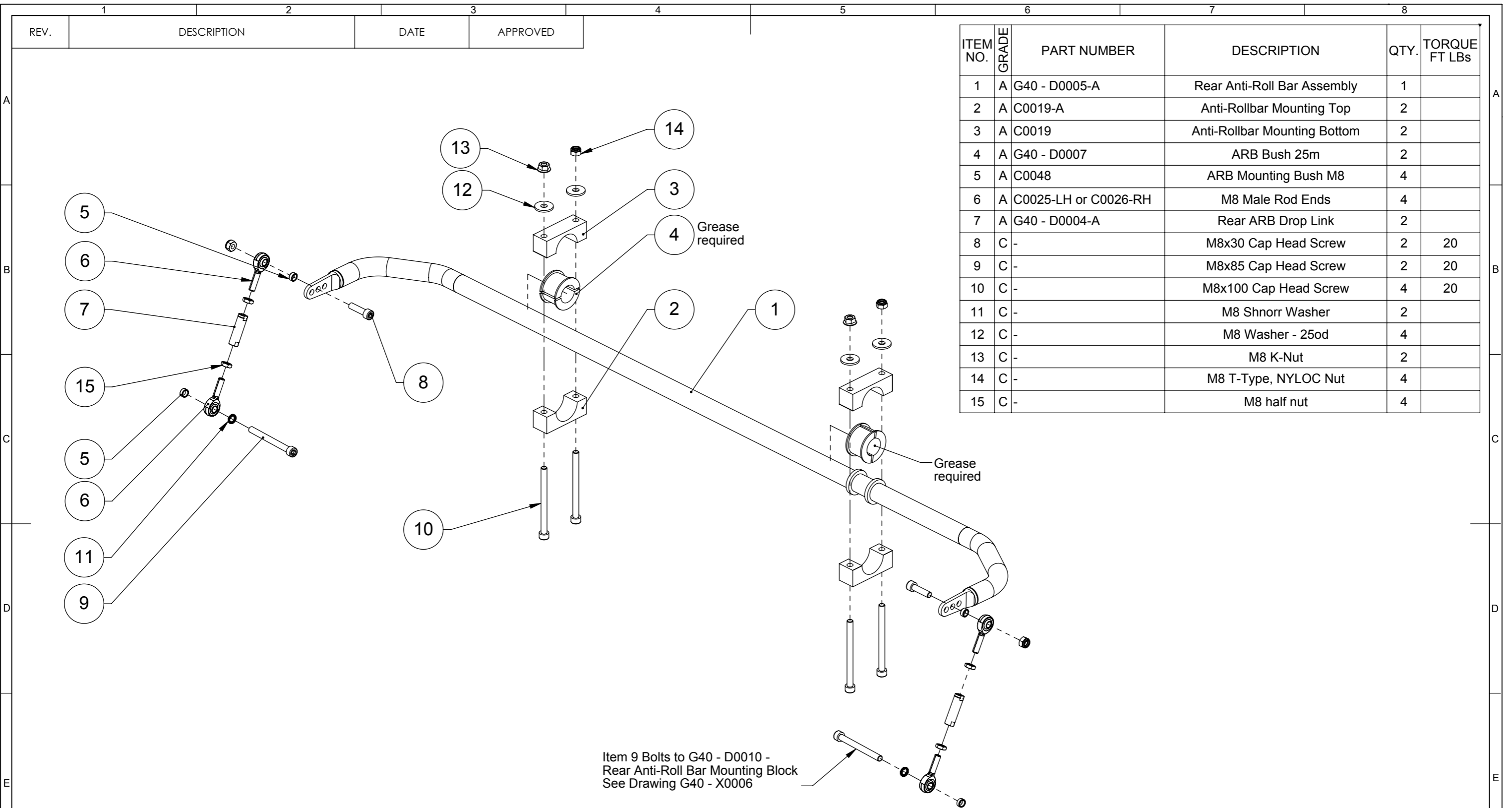
Right Hand Rear Upper Wishbone Shown



Recommend silicon paste for assy of poly bush and inner sleeve

WEIGHT(g)	N/A	MATERIAL	N/A	COPYRIGHT NOTE THIS DRAWING AND INFORMATION IS THE PROPERTY OF LNT AUTOMOTIVE AND MUST NOT BE REPRODUCED, USED FOR MANUFACTURE OR DISCLOSED TO A THIRD PARTY WITHOUT WRITTEN CONSENT.	
TOLERANCE :	UNLESS STATED LINEAR ±0.1mm ANGULAR ±0.5°	FINISH	N/A	PROJECTION THIRD ANGLE 	DO NOT SCALE IF IN DOUBT ASK ALL DIMENSIONS IN MILLIMETRES
DRAWN	AS	DESCRIPTION	G40 - X0002 - Rear Upper Wishbone Assy		
DATE	02.12.09	QUANTITY PER CAR:	02		
APPROVED	ML	SCALE	1:2	A3	SHEET 1 OF 1
		DRG. NO.	G40 - X0002		REV. -



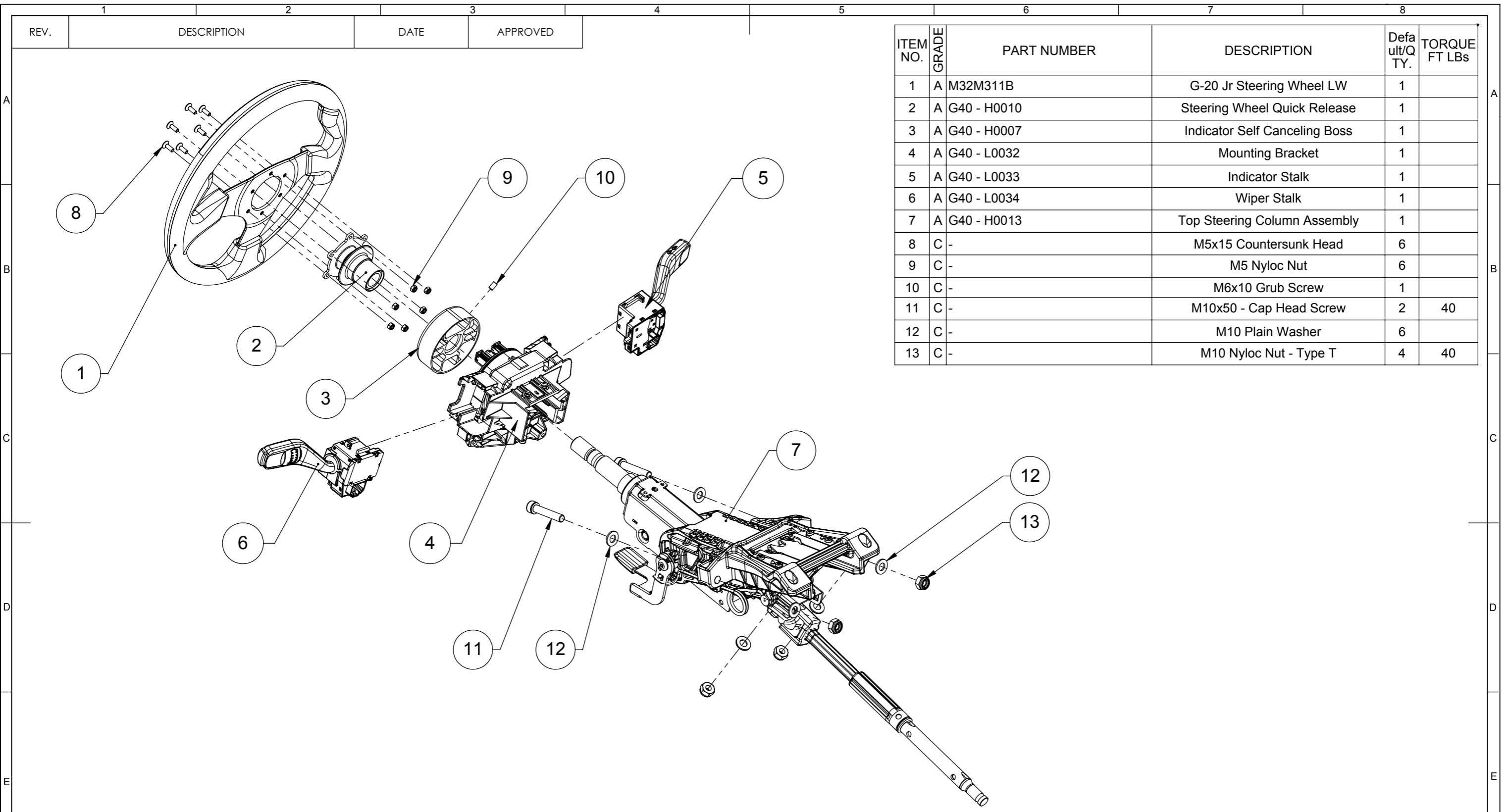


ITEM NO.	GRADE	PART NUMBER	DESCRIPTION	QTY.	TORQUE FT LBS
1	A	G40 - D0005-A	Rear Anti-Roll Bar Assembly	1	
2	A	C0019-A	Anti-Rollbar Mounting Top	2	
3	A	C0019	Anti-Rollbar Mounting Bottom	2	
4	A	G40 - D0007	ARB Bush 25m	2	
5	A	C0048	ARB Mounting Bush M8	4	
6	A	C0025-LH or C0026-RH	M8 Male Rod Ends	4	
7	A	G40 - D0004-A	Rear ARB Drop Link	2	
8	C	-	M8x30 Cap Head Screw	2	20
9	C	-	M8x85 Cap Head Screw	2	20
10	C	-	M8x100 Cap Head Screw	4	20
11	C	-	M8 Shnorrr Washer	2	
12	C	-	M8 Washer - 25od	4	
13	C	-	M8 K-Nut	2	
14	C	-	M8 T-Type, NYLOC Nut	4	
15	C	-	M8 half nut	4	

Item 9 Bolts to G40 - D0010 - Rear Anti-Roll Bar Mounting Block See Drawing G40 - X0006

Notes: -
Ginetta agree to allow shims on the anti-roll bar blocks to reduce friction

WEIGHT(g)	N/A	MATERIAL	N/A	COPYRIGHT NOTE THIS DRAWING AND INFORMATION IS THE PROPERTY OF LNT AUTOMOTIVE AND MUST NOT BE REPRODUCED, USED FOR MANUFACTURE OR DISCLOSED TO A THIRD PARTY WITHOUT WRITTEN CONSENT.	
TOLERANCE :	UNLESS STATED LINEAR ±0.1mm ANGULAR ±0.5°	FINISH	N/A	PROJECTION THIRD ANGLE 	DO NOT SCALE IF IN DOUBT ASK ALL DIMENSIONS IN MILLIMETRES
DRAWN	AS	DESCRIPTION		QUANTITY PER CAR:	
DATE	22.12.09	G40 - X0009 - Rear Anti-Rollbar		01	
APPROVED	ML	SCALE	1:5	A3	
		DRG. NO.	G40 - X0009	REV.	-

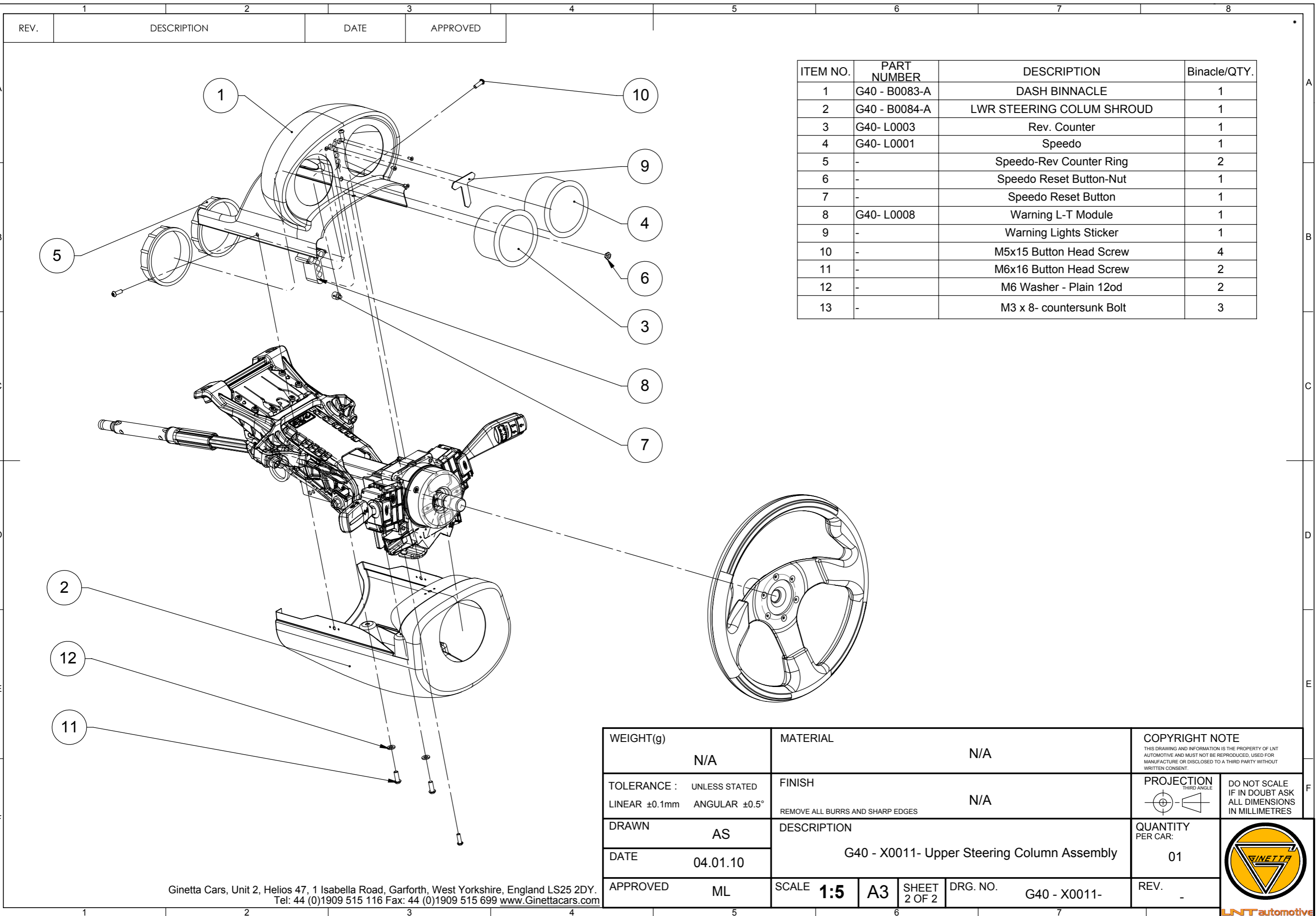


ITEM NO.	GRADE	PART NUMBER	DESCRIPTION	Defa ult/Q TY.	TORQUE FT LBS
1	A	M32M311B	G-20 Jr Steering Wheel LW	1	
2	A	G40 - H0010	Steering Wheel Quick Release	1	
3	A	G40 - H0007	Indicator Self Canceling Boss	1	
4	A	G40 - L0032	Mounting Bracket	1	
5	A	G40 - L0033	Indicator Stalk	1	
6	A	G40 - L0034	Wiper Stalk	1	
7	A	G40 - H0013	Top Steering Column Assembly	1	
8	C	-	M5x15 Countersunk Head	6	
9	C	-	M5 Nyloc Nut	6	
10	C	-	M6x10 Grub Screw	1	
11	C	-	M10x50 - Cap Head Screw	2	40
12	C	-	M10 Plain Washer	6	
13	C	-	M10 Nyloc Nut - Type T	4	40

WEIGHT(g)	N/A	MATERIAL	N/A	COPYRIGHT NOTE THIS DRAWING AND INFORMATION IS THE PROPERTY OF LNT AUTOMOTIVE AND MUST NOT BE REPRODUCED, USED FOR MANUFACTURE OR DISCLOSED TO A THIRD PARTY WITHOUT WRITTEN CONSENT.	
TOLERANCE :	UNLESS STATED LINEAR ±0.1mm ANGULAR ±0.5°	FINISH	N/A REMOVE ALL BURRS AND SHARP EDGES	PROJECTION THIRD ANGLE 	DO NOT SCALE IF IN DOUBT ASK ALL DIMENSIONS IN MILLIMETRES
DRAWN	AS	DESCRIPTION	G40 - X0011- Upper Steering Column Assembly		QUANTITY PER CAR: 01
DATE	04.01.10	APPROVED	ML	SCALE 1:5	A3
APPROVED	ML	SCALE	1:5	A3	SHEET 1 OF 2
		DRG. NO.	G40 - X0011-	REV.	-

Ginetta Cars, Unit 2, Helios 47, 1 Isabella Road, Garforth, West Yorkshire, England LS25 2DY.
Tel: 44 (0)1909 515 116 Fax: 44 (0)1909 515 699 www.Ginettacars.com





ITEM NO.	PART NUMBER	DESCRIPTION	Binacle/QTY.
1	G40 - B0083-A	DASH BINNACLE	1
2	G40 - B0084-A	LWR STEERING COLUM SHROUD	1
3	G40- L0003	Rev. Counter	1
4	G40- L0001	Speedo	1
5	-	Speedo-Rev Counter Ring	2
6	-	Speedo Reset Button-Nut	1
7	-	Speedo Reset Button	1
8	G40- L0008	Warning L-T Module	1
9	-	Warning Lights Sticker	1
10	-	M5x15 Button Head Screw	4
11	-	M6x16 Button Head Screw	2
12	-	M6 Washer - Plain 12od	2
13	-	M3 x 8- countersunk Bolt	3

WEIGHT(g)	N/A	MATERIAL	N/A	COPYRIGHT NOTE THIS DRAWING AND INFORMATION IS THE PROPERTY OF LNT AUTOMOTIVE AND MUST NOT BE REPRODUCED, USED FOR MANUFACTURE OR DISCLOSED TO A THIRD PARTY WITHOUT WRITTEN CONSENT.	
TOLERANCE :	UNLESS STATED	FINISH	N/A	PROJECTION THIRD ANGLE 	DO NOT SCALE IF IN DOUBT ASK ALL DIMENSIONS IN MILLIMETRES
LINEAR	±0.1mm	ANGULAR	±0.5°	REMOVE ALL BURRS AND SHARP EDGES	
DRAWN	AS	DESCRIPTION	G40 - X0011- Upper Steering Column Assembly		QUANTITY PER CAR: 01
DATE	04.01.10	APPROVED	ML	SCALE 1:5	A3
				SHEET 2 OF 2	DRG. NO. G40 - X0011-
					REV. -

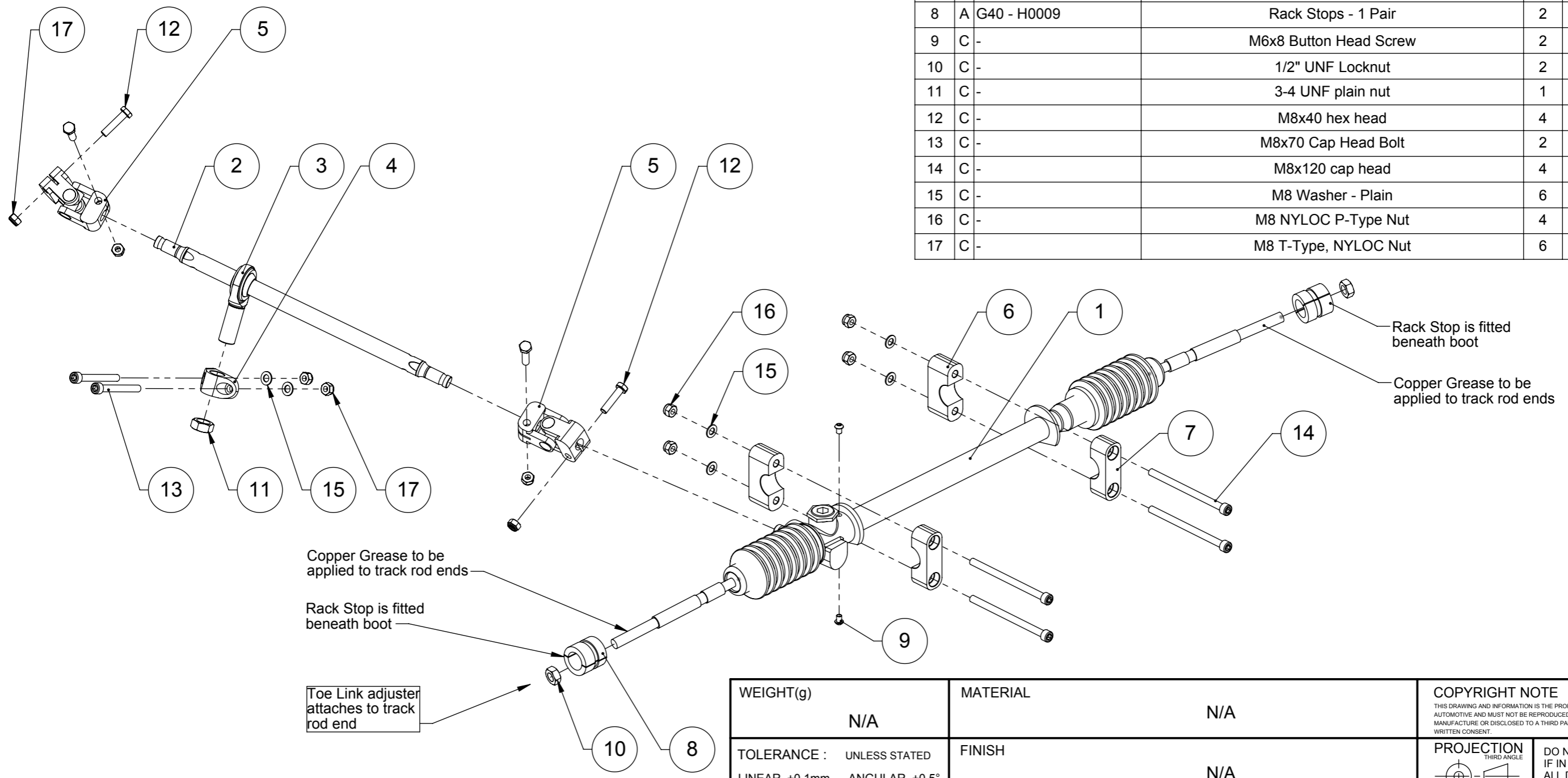
Ginetta Cars, Unit 2, Helios 47, 1 Isabella Road, Garforth, West Yorkshire, England LS25 2DY.
Tel: 44 (0)1909 515 116 Fax: 44 (0)1909 515 699 www.Ginettacars.com



LNT automotive

REV.	DESCRIPTION	DATE	APPROVED
------	-------------	------	----------

ITEM NO.	GRADE	PART NUMBER	DESCRIPTION	QTY.	TORQUE FT LBS
1	A	GCH0001	Steering Rack - Modified with Securing Screws	1	
2	A	G40 - H0001	Lower Steering Column Assembly	1	
3	A	G40 - H0014	0.75" - Male Rod End	1	
4	A	G40 - H0011	Steering Column Rose Joint Mount	1	
5	A	SB1113	Steering Column UJ	4	
6	A	G40 - H0004	Steering Rack MTG Block LWR	2	
7	A	G40 - H0003	Steering Rack MTG Block Upper	2	
8	A	G40 - H0009	Rack Stops - 1 Pair	2	
9	C	-	M6x8 Button Head Screw	2	
10	C	-	1/2" UNF Locknut	2	
11	C	-	3-4 UNF plain nut	1	
12	C	-	M8x40 hex head	4	20
13	C	-	M8x70 Cap Head Bolt	2	20
14	C	-	M8x120 cap head	4	20
15	C	-	M8 Washer - Plain	6	
16	C	-	M8 NYLOC P-Type Nut	4	
17	C	-	M8 T-Type, NYLOC Nut	6	



WEIGHT(g)	N/A	MATERIAL	N/A	COPYRIGHT NOTE THIS DRAWING AND INFORMATION IS THE PROPERTY OF LNT AUTOMOTIVE AND MUST NOT BE REPRODUCED, USED FOR MANUFACTURE OR DISCLOSED TO A THIRD PARTY WITHOUT WRITTEN CONSENT.	
TOLERANCE :	UNLESS STATED LINEAR ±0.1mm ANGULAR ±0.5°	FINISH	N/A REMOVE ALL BURRS AND SHARP EDGES	PROJECTION THIRD ANGLE 	DO NOT SCALE IF IN DOUBT ASK ALL DIMENSIONS IN MILLIMETRES
DRAWN	AS	DESCRIPTION	G40 - X0012- Lower Steering Cloumn Assembly		QUANTITY PER CAR: 01
DATE	04.01.10	SCALE	1:5	A3	SHEET 1 OF 1
APPROVED	ML	DRG. NO.	G40 - X0012-		REV. -

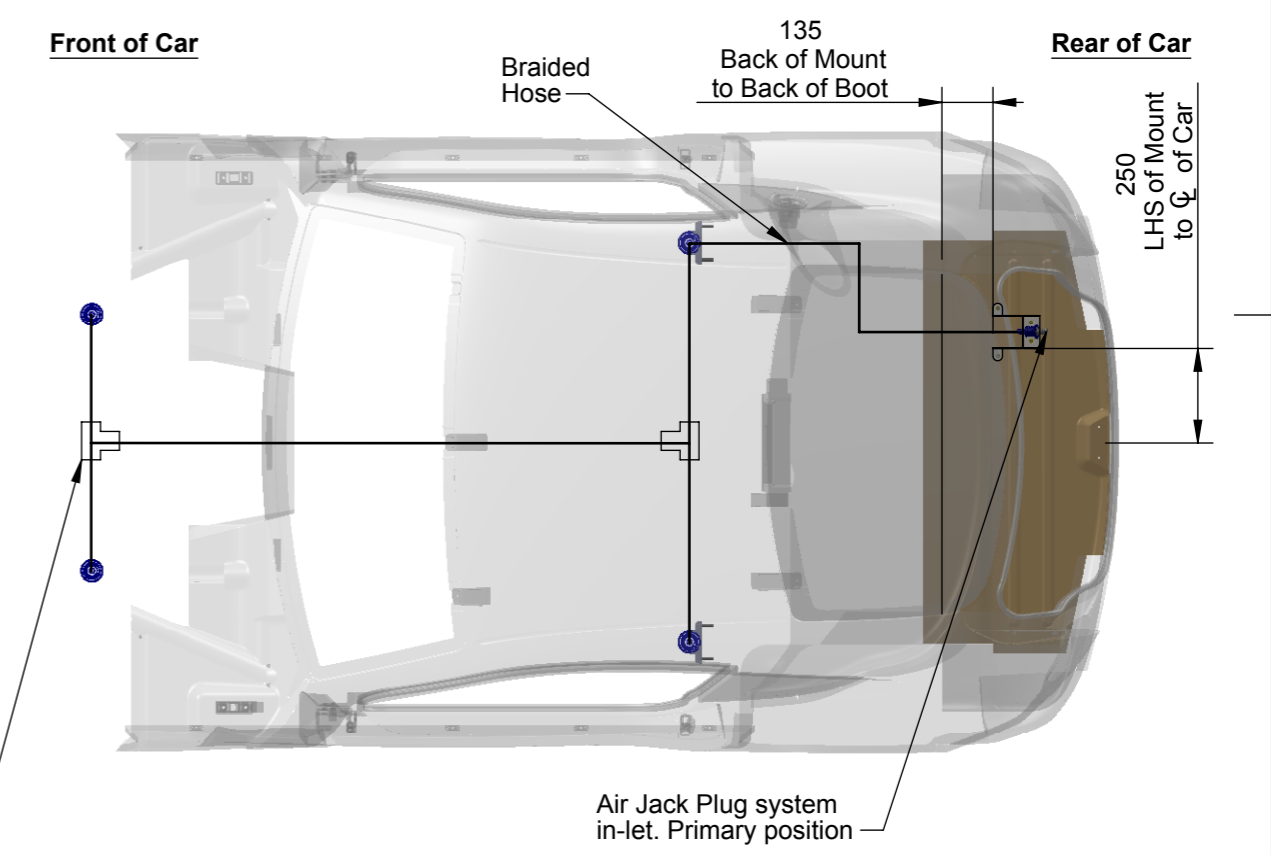
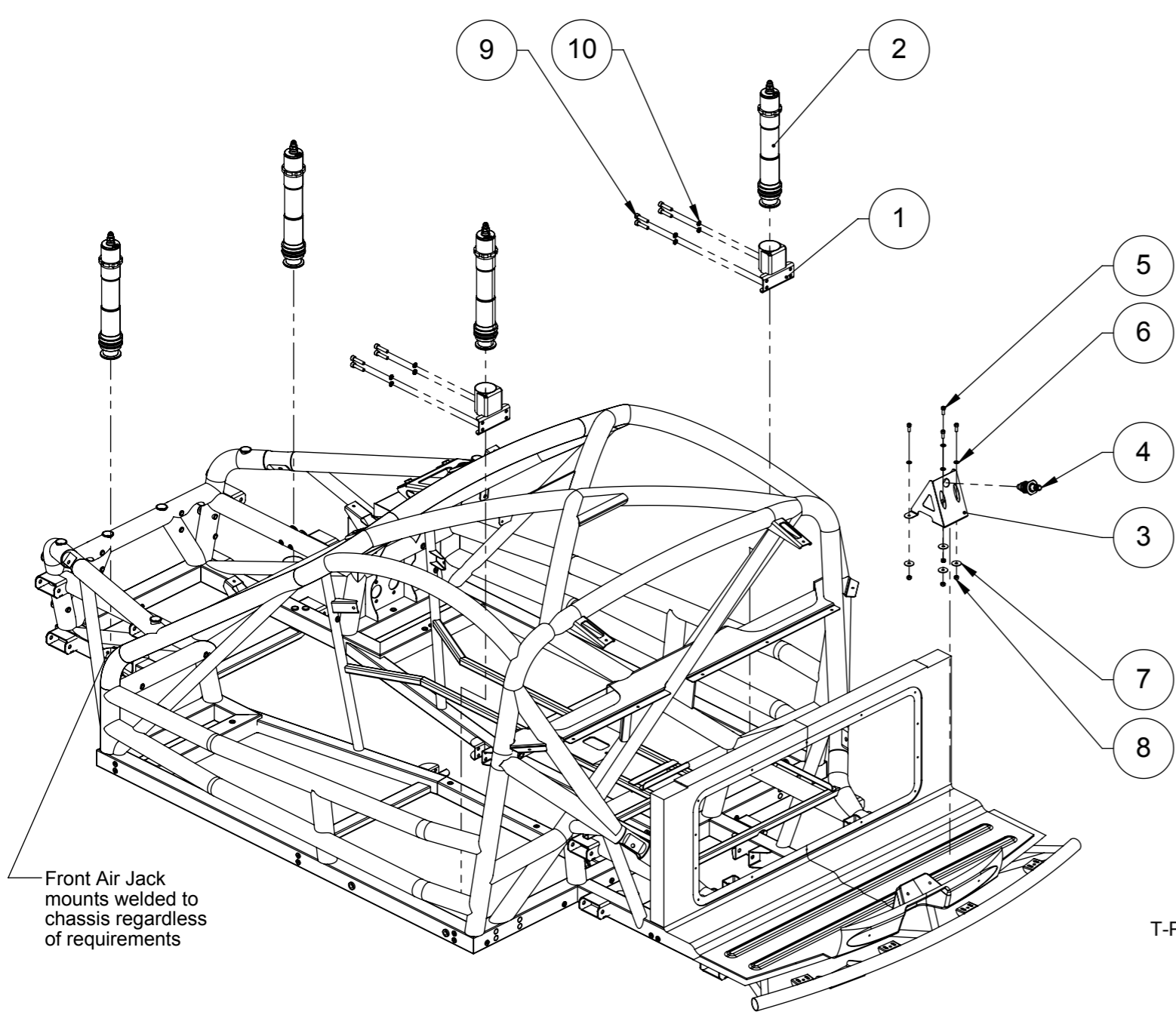
Ginetta Cars, Unit 2, Helios 47, 1 Isabella Road, Garforth, West Yorkshire, England LS25 2DY.
Tel: 44 (0)1909 515 116 Fax: 44 (0)1909 515 699 www.Ginettacars.com



LNT automotive

REV.	DESCRIPTION	DATE	APPROVED
------	-------------	------	----------

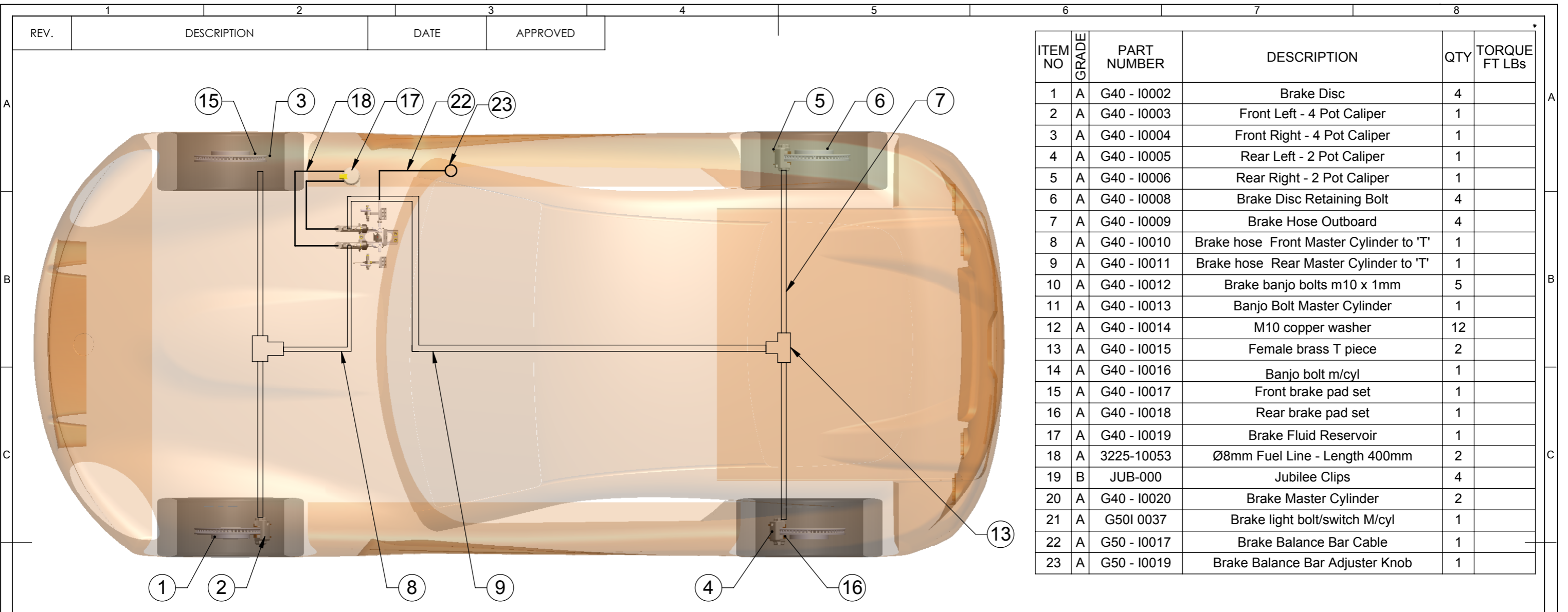
ITEM NO.	GRADE	PART NUMBER	DESCRIPTION	Defa ult/Q TY.	TORQUE FT LBS
1	A	G40 - R0018	Bolt On Rear Air Jack MTG Assy	2	
2	A	JAC06-9050	Air Jack	4	
3	A	G40 - R0034	Air Jack Plug Mount	1	
4	A	G40 - R0043	Air Jack Plug	1	
5	C	-	M6x16 Cap Head Screw	4	12
6	C	-	M6 Washer - 13od	4	
7	C	-	M6 Washer - 25 OD	4	
8	C	-	M6 Nyloc Nut	4	
9	C	-	M8x35 Cap Head Screw	8	20
10	C	-	M8 Shnorr Washer	8	



WEIGHT(g)	N/A	MATERIAL	N/A	COPYRIGHT NOTE THIS DRAWING AND INFORMATION IS THE PROPERTY OF LNT AUTOMOTIVE AND MUST NOT BE REPRODUCED, USED FOR MANUFACTURE OR DISCLOSED TO A THIRD PARTY WITHOUT WRITTEN CONSENT.	
TOLERANCE :	UNLESS STATED LINEAR ±0.1mm ANGULAR ±0.5°	FINISH	N/A	PROJECTION THIRD ANGLE	DO NOT SCALE IF IN DOUBT ASK ALL DIMENSIONS IN MILLIMETRES
DRAWN	AS	DESCRIPTION	G40 - X0030 - Air Jack Kit Assembly		QUANTITY PER CAR: 1
DATE	09.02.10	SCALE	1:15	A3	SHEET 1 OF 1
APPROVED	ML	DRG. NO.	G40 - X0030-		REV. -

Ginetta Cars, Unit 2, Helios 47, 1 Isabella Road, Garforth, West Yorkshire, England LS25 2DY.
Tel: 44 (0)1909 515 116 Fax: 44 (0)1909 515 699 www.Ginettacars.com





ITEM NO	GRADE	PART NUMBER	DESCRIPTION	QTY	TORQUE FT LBS
1	A	G40 - I0002	Brake Disc	4	
2	A	G40 - I0003	Front Left - 4 Pot Caliper	1	
3	A	G40 - I0004	Front Right - 4 Pot Caliper	1	
4	A	G40 - I0005	Rear Left - 2 Pot Caliper	1	
5	A	G40 - I0006	Rear Right - 2 Pot Caliper	1	
6	A	G40 - I0008	Brake Disc Retaining Bolt	4	
7	A	G40 - I0009	Brake Hose Outboard	4	
8	A	G40 - I0010	Brake hose Front Master Cylinder to 'T'	1	
9	A	G40 - I0011	Brake hose Rear Master Cylinder to 'T'	1	
10	A	G40 - I0012	Brake banjo bolts m10 x 1mm	5	
11	A	G40 - I0013	Banjo Bolt Master Cylinder	1	
12	A	G40 - I0014	M10 copper washer	12	
13	A	G40 - I0015	Female brass T piece	2	
14	A	G40 - I0016	Banjo bolt m/cyl	1	
15	A	G40 - I0017	Front brake pad set	1	
16	A	G40 - I0018	Rear brake pad set	1	
17	A	G40 - I0019	Brake Fluid Reservoir	1	
18	A	3225-10053	Ø8mm Fuel Line - Length 400mm	2	
19	B	JUB-000	Jubilee Clips	4	
20	A	G40 - I0020	Brake Master Cylinder	2	
21	A	G50I 0037	Brake light bolt/switch M/cyl	1	
22	A	G50 - I0017	Brake Balance Bar Cable	1	
23	A	G50 - I0019	Brake Balance Bar Adjuster Knob	1	



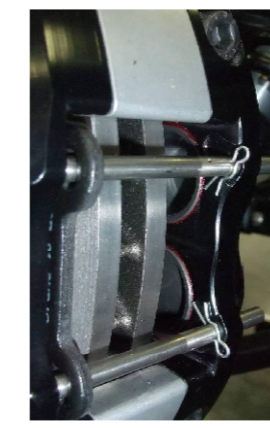
Correct Caliper Assembly



R-Clip recess Shown



Correct R-Clip Fitting - Within the recess - R-Clip facing Outwards



In-correct R-Clip Fitting - NOT Within recess

NOTE:
R-Clips must sit in calipers recess to avoid interference with Pad



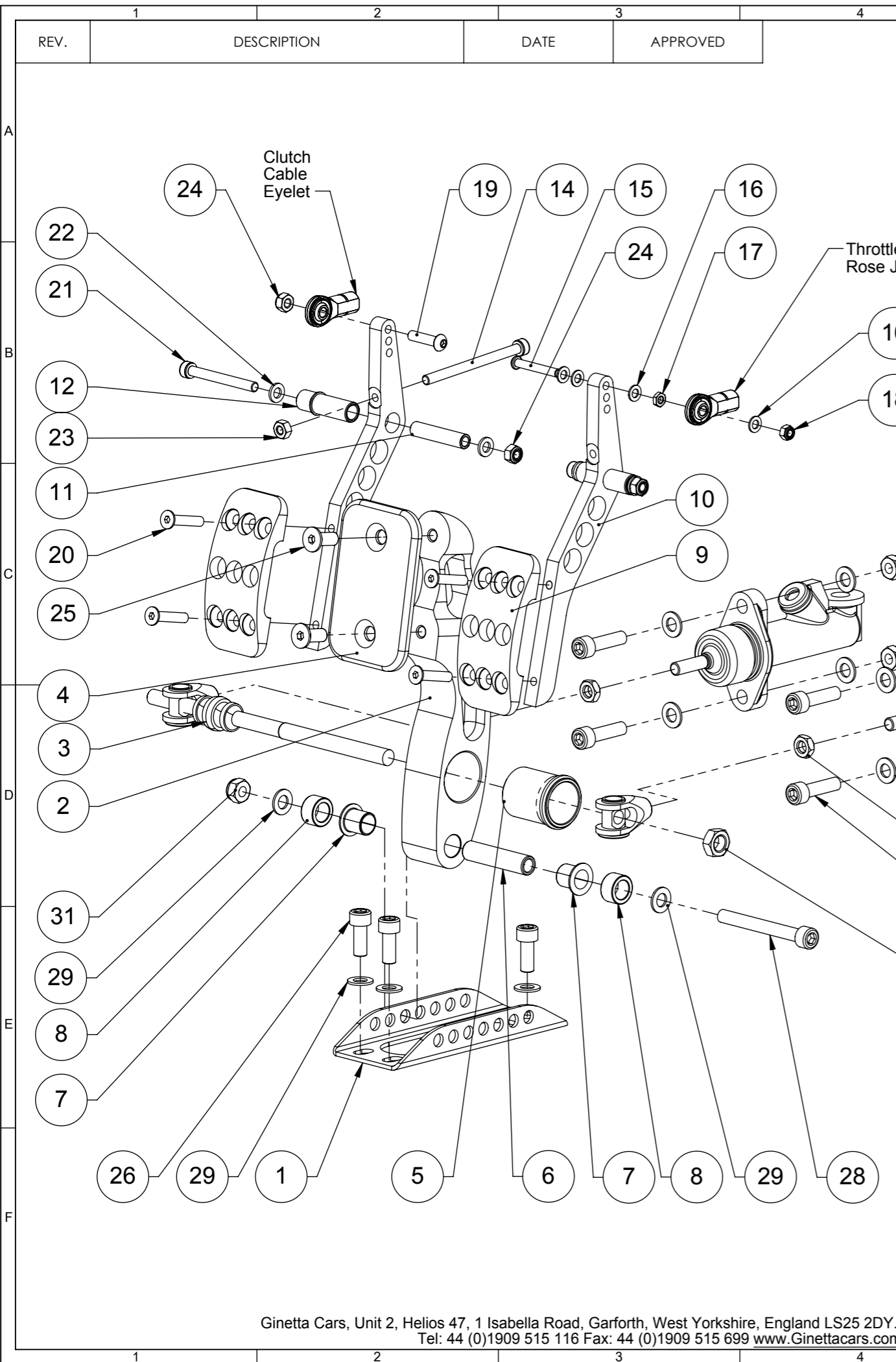
Pins, R-Clips and Pads Removed



Correct R-Clip Fitting - Within the recess - R-Clip facing Inwards

WEIGHT(g)	N/A	MATERIAL	N/A	COPYRIGHT NOTE THIS DRAWING AND INFORMATION IS THE PROPERTY OF LNT AUTOMOTIVE AND MUST NOT BE REPRODUCED, USED FOR MANUFACTURE OR DISCLOSED TO A THIRD PARTY WITHOUT WRITTEN CONSENT.	
TOLERANCE :	UNLESS STATED	FINISH	N/A	PROJECTION THIRD ANGLE	DO NOT SCALE IF IN DOUBT ASK ALL DIMENSIONS IN MILLIMETRES
LINEAR	±0.1mm	ANGULAR	±0.5°	REMOVE ALL BURRS AND SHARP EDGES	
DRAWN	AS	DESCRIPTION		QUANTITY PER CAR:	
DATE	09.02.10	G40 - X0031- Braking System Schematic		1	
APPROVED	ML	SCALE	1:15	A3	
		DRG. NO.	G40 - X0031-	REV.	-

Ginetta Cars, Unit 2, Helios 47, 1 Isabella Road, Garforth, West Yorkshire, England LS25 2DY.
Tel: 44 (0)1909 515 116 Fax: 44 (0)1909 515 699 www.Ginettacars.com



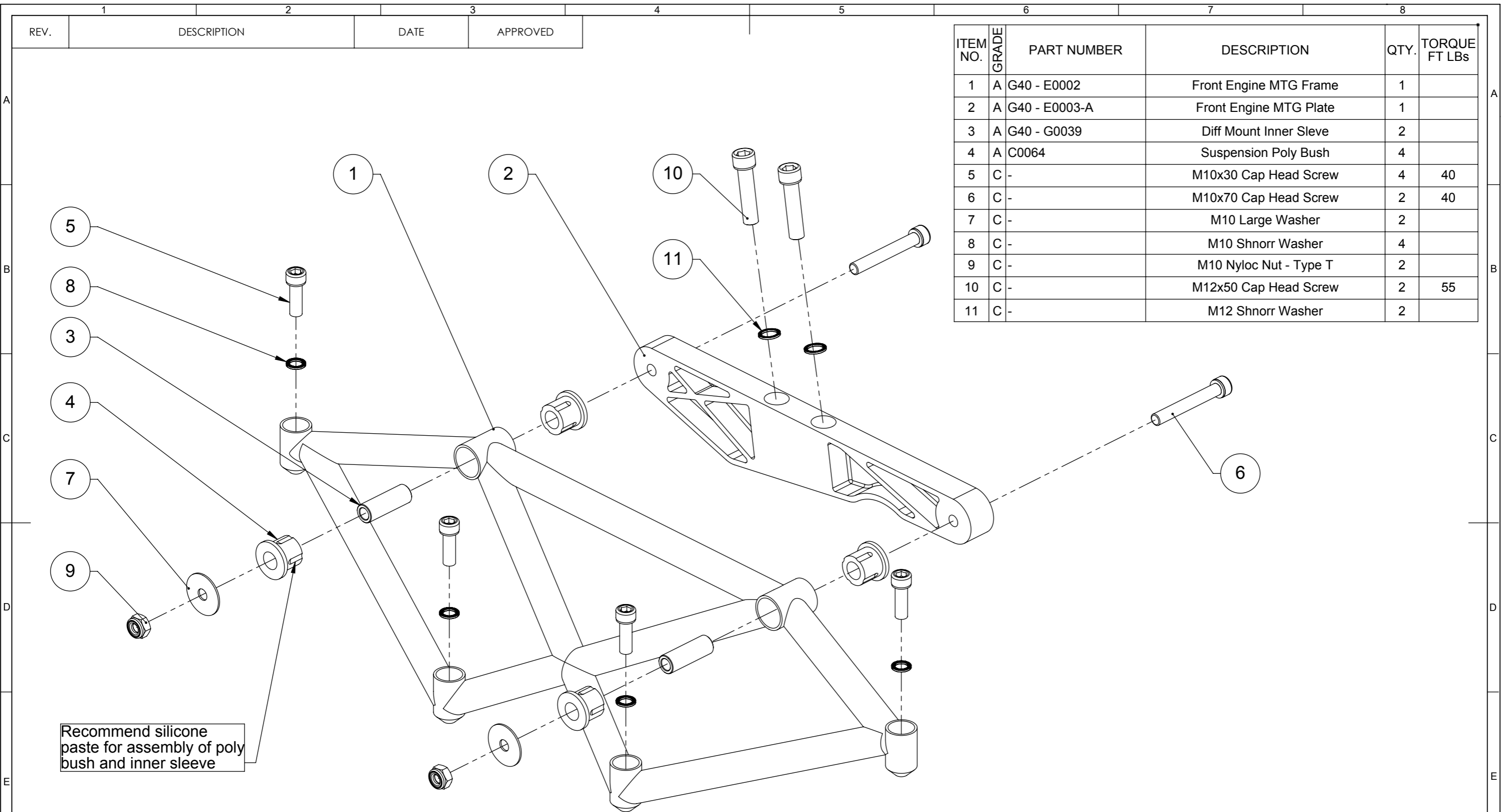
ITEM NO.	GRADE	PART NUMBER	DESCRIPTION	QTY.	TORQUE FT LBS
1	A	R0048-A	Brake Pedal Mount	1	
2	A	R0010 - B	Brake pedal arm	1	
3	A	G40 - I0021	Brake Bias Bar Assembly	1	
4	A	R0006	Brake Pedal Pad	1	
5	A	R0004-A	brake pedal bias bush	1	
6	A	R0045-A	Brake Pedal Bush	1	
7	A	R0046	Brake Pedal Flange Bearing	2	
8	A	R0047	Brake Pedal Thrust Washer	2	
9	A	R0074	Throttle / Clutch Pedal Pad	2	
10	A	R0073	Throttle / Clutch Pedal Arm	2	
11	A	R0003	Pedal pivot - inner bush	2	
12	A	R0002	Pedal pivot - outer bush	2	
13	A	G40 - R0037	Master Cylinder Assembly - No Reservoir	2	
14	A	G40 - R0029	Dead Stop for Clutch & Throttle	1	
15	C	-	M5x35 Button Head Screw	1	
16	C	-	M5 Washer - Plain	4	
17	C	-	M5 HALF-NUT	1	
18	C	-	M5 Nyloc Nut	1	
19	C	-	M6x25 Button Head Screw	1	
20	C	-	M6 x 30 Countersunk Head Screw	4	12
21	C	-	M6x55 Cap Head Screw	2	
22	C	-	M6 Washer - Plain 12od	4	
23	C	-	M6 Nut	1	
24	C	-	M6 Nyloc Nut	3	
25	C	-	M8 x 20 Socket Countersunk Head Screw	2	20
26	C	-	M8x20 Cap Head Bolt	3	20
27	C	-	M8x30 Cap Head Screw	4	20
28	C	-	M8x70 Cap Head Bolt	1	20
29	C	-	M8 Washer - Plain	13	
30	C	-	M8 NYLOC P-Type Nut	4	
31	C	-	M8 T-Type, NYLOC Nut	1	
32	C	-	5/16 UNF - Plain Half Nut	2	
33	C	-	7/16 UNF - Plain Half Nut	1	

WEIGHT(g)	N/A	MATERIAL	N/A	COPYRIGHT NOTE THIS DRAWING AND INFORMATION IS THE PROPERTY OF LNT AUTOMOTIVE AND MUST NOT BE REPRODUCED, USED FOR MANUFACTURE OR DISCLOSED TO A THIRD PARTY WITHOUT WRITTEN CONSENT.	
TOLERANCE :	UNLESS STATED LINEAR ±0.1mm ANGULAR ±0.5°	FINISH	N/A	PROJECTION THIRD ANGLE	DO NOT SCALE IF IN DOUBT ASK ALL DIMENSIONS IN MILLIMETRES
DRAWN	AS	DESCRIPTION	G40 - X0010 - Pedal Assembly		
DATE	30.12.09	QUANTITY PER CAR:	1		
APPROVED	ML	SCALE	1:3	A3	SHEET 1 OF 1
		DRG. NO.	G40 - X0010		REV.

Ginetta Cars, Unit 2, Helios 47, 1 Isabella Road, Garforth, West Yorkshire, England LS25 2DY.
Tel: 44 (0)1909 515 116 Fax: 44 (0)1909 515 699 www.Ginettacars.com



LNT automotive



Recommend silicone paste for assembly of poly bush and inner sleeve

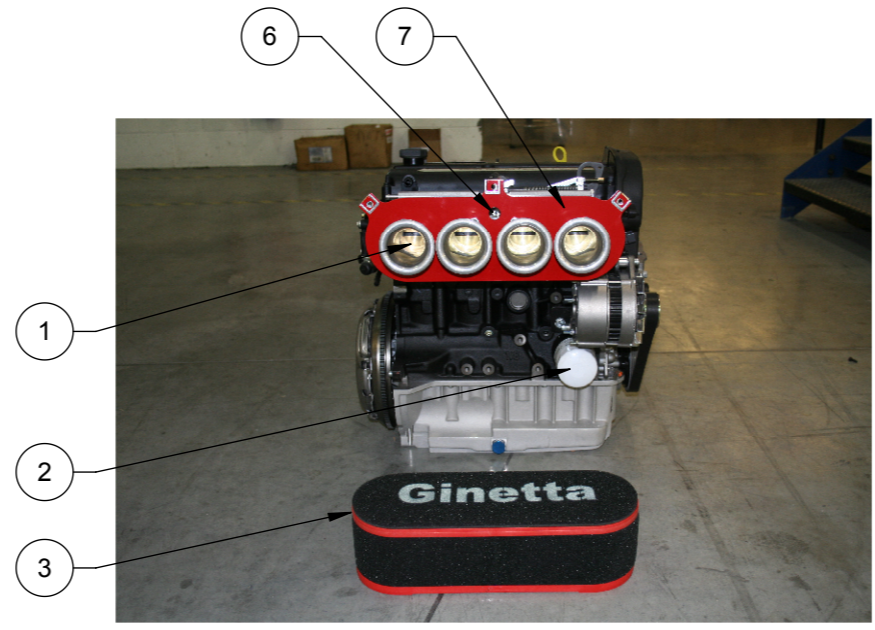
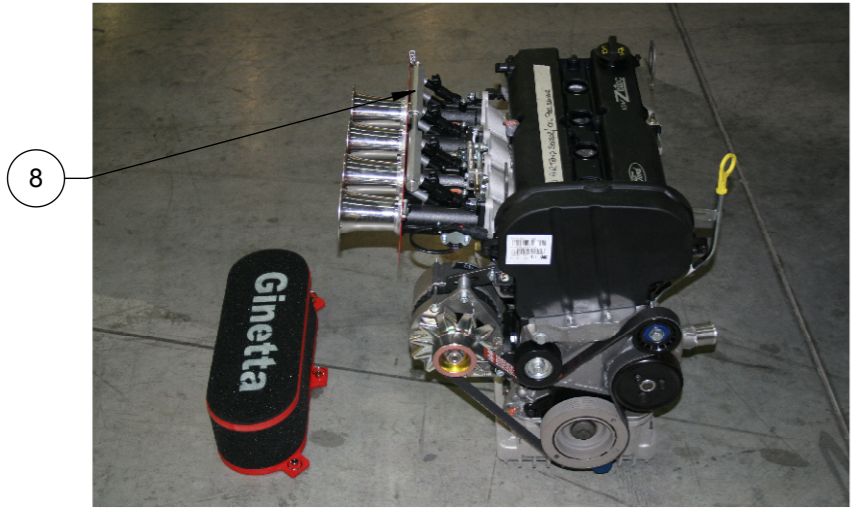
ITEM NO.	GRADE	PART NUMBER	DESCRIPTION	QTY.	TORQUE FT LBS
1	A	G40 - E0002	Front Engine MTG Frame	1	
2	A	G40 - E0003-A	Front Engine MTG Plate	1	
3	A	G40 - G0039	Diff Mount Inner Sleeve	2	
4	A	C0064	Suspension Poly Bush	4	
5	C	-	M10x30 Cap Head Screw	4	40
6	C	-	M10x70 Cap Head Screw	2	40
7	C	-	M10 Large Washer	2	
8	C	-	M10 Shnorr Washer	4	
9	C	-	M10 Nyloc Nut - Type T	2	
10	C	-	M12x50 Cap Head Screw	2	55
11	C	-	M12 Shnorr Washer	2	

WEIGHT(g)	N/A	MATERIAL	N/A	COPYRIGHT NOTE THIS DRAWING AND INFORMATION IS THE PROPERTY OF LNT AUTOMOTIVE AND MUST NOT BE REPRODUCED, USED FOR MANUFACTURE OR DISCLOSED TO A THIRD PARTY WITHOUT WRITTEN CONSENT.	
TOLERANCE :	UNLESS STATED LINEAR ±0.1mm ANGULAR ±0.5°	FINISH	N/A	PROJECTION THIRD ANGLE 	DO NOT SCALE IF IN DOUBT ASK ALL DIMENSIONS IN MILLIMETRES
DRAWN	AS	DESCRIPTION	G40 - X0014- Engine Mounting Assembly		
DATE	08.01.10	QUANTITY PER CAR:	1		
APPROVED	ML	SCALE	1:3	A3	SHEET 1 OF 1
		DRG. NO.	G40 - X0014-		REV. -

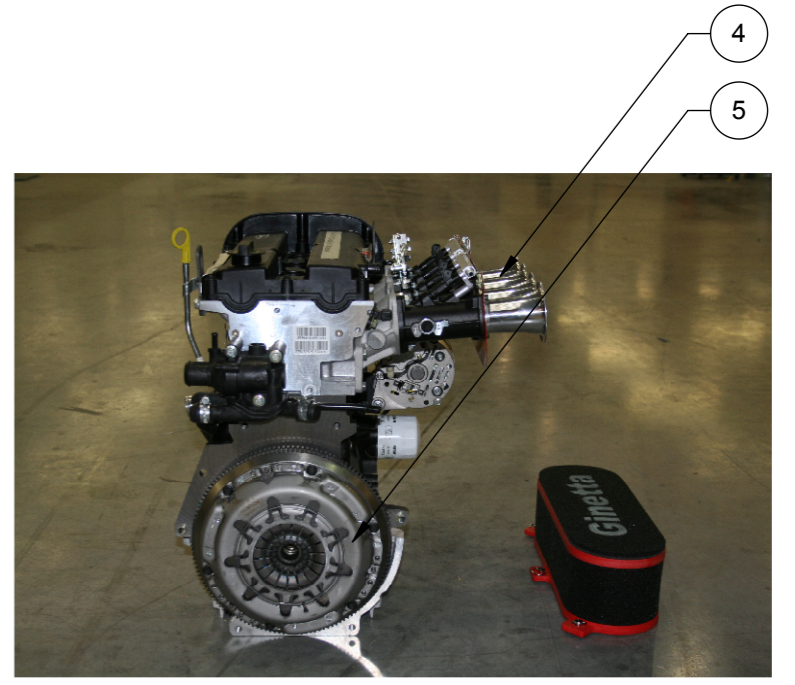
Ginetta Cars, Unit 2, Helios 47, 1 Isabella Road, Garforth, West Yorkshire, England LS25 2DY.
Tel: 44 (0)1909 515 116 Fax: 44 (0)1909 515 699 www.Ginettacars.com



REV.	DESCRIPTION	DATE	APPROVED
------	-------------	------	----------



ITEM NO.	GRADE	PART NUMBER	DESCRIPTION	QTY	TORQUE FT LB's
1	A -		Air Intake Trumpets	4	
2	A -		Oil Filter	1	
3	A -		Air Filter	1	
4	A -		Throttle Body	2	
5	A -		Clutch	1	
6	A	G40 - E0011	Air Temp Sensor Fastener	1	
7	A	G40 - E0010A	G40 Engine Restrictor Plate	1	
8	A	G40 - E0005	Fuel Rail	1	
9	A	G40 - E0006	Sump Gasket	1	
10	A	G40 - E0009	HT Lead Set	1	
11	A	G40 - E0002-A	Front Engine Mounting Frame	1	
12	A	G40 - E0003-A	Front Engine Mounting Plate	1	



Notes: -

- Upon collection, Engine contains running in oil - Titan XTR 5w 30
- Race Oil: - Pro S - 5w 30 Synthetic
- Approx Volumes:-
 - 5L with filter change
 - 4.5L without

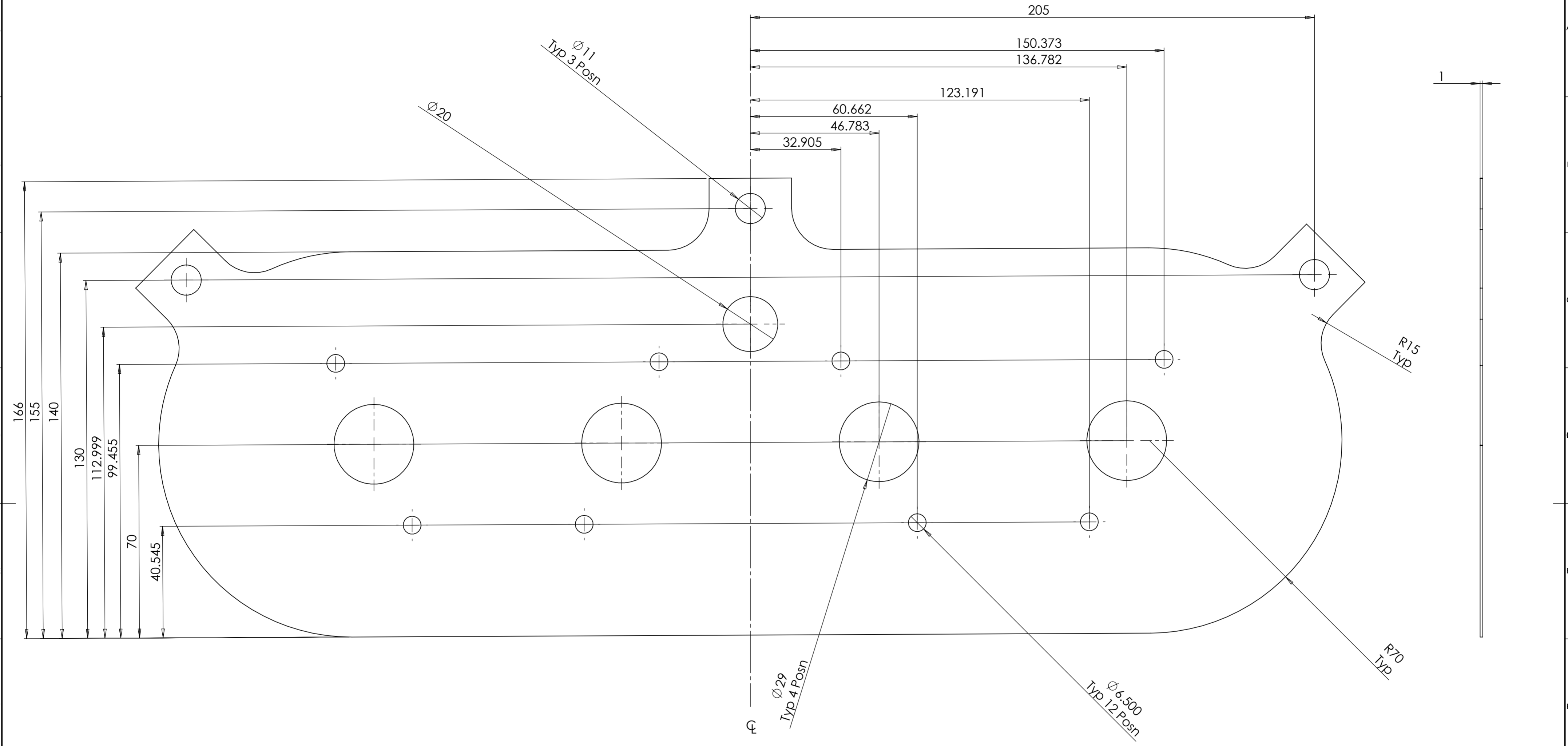
WEIGHT(g)	N/A	MATERIAL	N/A	COPYRIGHT NOTE THIS DRAWING AND INFORMATION IS THE PROPERTY OF LNT AUTOMOTIVE AND MUST NOT BE REPRODUCED, USED FOR MANUFACTURE OR DISCLOSED TO A THIRD PARTY WITHOUT WRITTEN CONSENT.	
TOLERANCE :	UNLESS STATED LINEAR ±0.1mm ANGULAR ±0.5°	FINISH	N/A	PROJECTION THIRD ANGLE 	DO NOT SCALE IF IN DOUBT ASK ALL DIMENSIONS IN MILLIMETRES
DRAWN	AS	DESCRIPTION	Ginetta G40 Engine Diagram Ford Zetec 1.8L - 16 Valve		QUANTITY PER CAR: 01
DATE	17.02.10	APPROVED	ML	SCALE	N/A A3
SHEET 1 OF 1		DRG. NO.	G40 - X0032		REV. -

Ginetta Cars, Unit 2, Helios 47, 1 Isabella Road, Garforth, West Yorkshire, England LS25 2DY.
Tel: 44 (0)1909 515 116 Fax: 44 (0)1909 515 699 www.Ginettacars.com



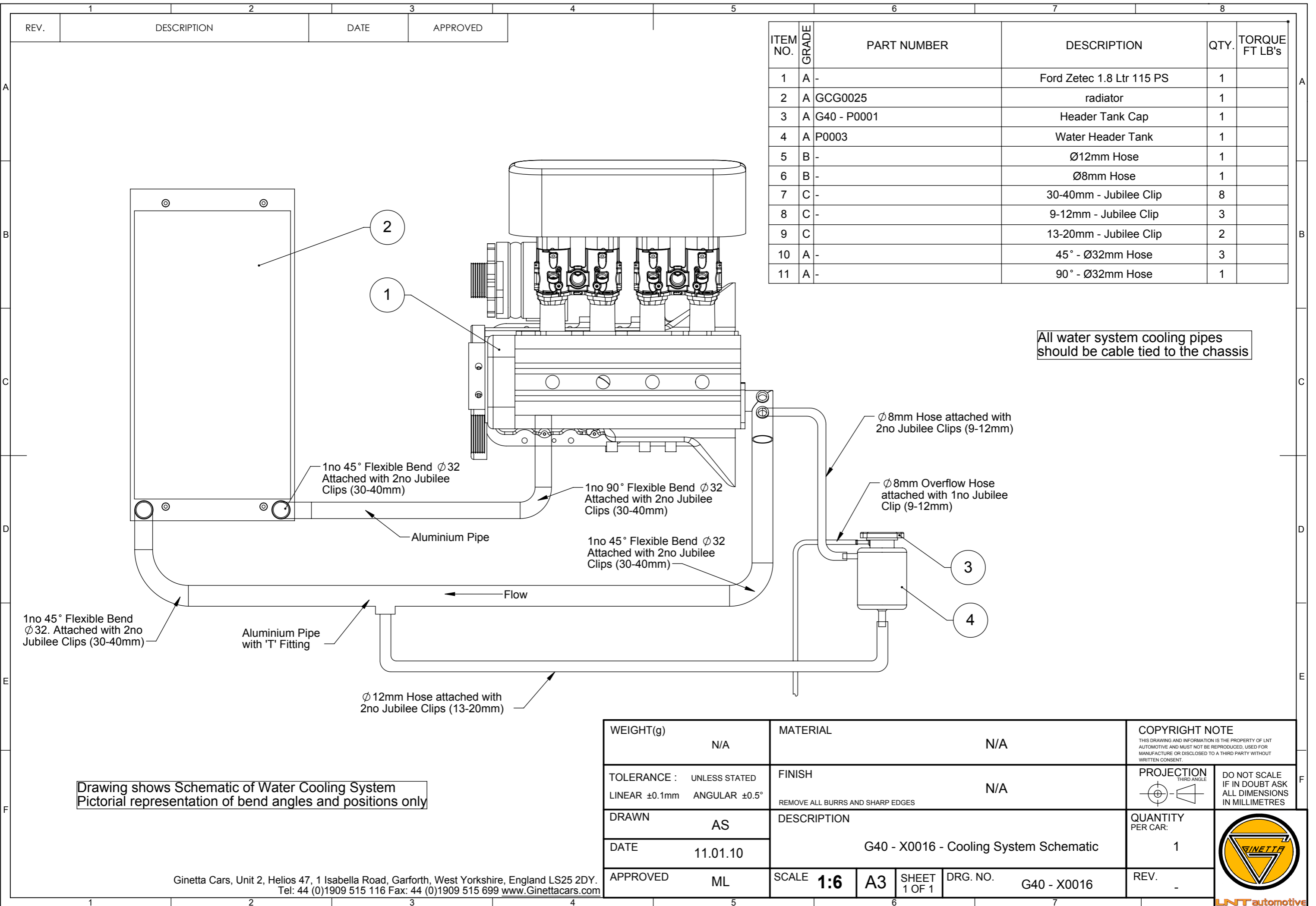
LNT automotive

REV.	MODIFICATION	DRAWN	CHECKED	DATE
A	Hole diameter changed was 6mm, now 29mm Thickness was 3mm now 1mm	DRM	DRM	28/01/2010



WEIGHT(g)	MATERIAL 1mm Stainless Steel	COPYRIGHT NOTE THIS DRAWING AND INFORMATION IS THE PROPERTY OF LNT AUTOMOTIVE AND MUST NOT BE REPRODUCED, USED FOR MANUFACTURE OR DISCLOSED TO A THIRD PARTY WITHOUT WRITTEN CONSENT.	
TOLERANCE : UNLESS STATED LINEAR ±0.1mm ANGULAR ±0.5°	FINISH Clean REMOVE ALL BURRS AND SHARP EDGES	PROJECTION THIRD ANGLE 	DO NOT SCALE IF IN DOUBT ASK ALL DIMENSIONS IN MILLIMETRES
DRAWN DRM	DESCRIPTION G40 - E0010 Engine Restrictor Plate	QUANTITY PER CAR: 1	
DATE 9/01/2010		REV. A	
APPROVED	SCALE 1:1	A2 SHEET 1 OF 1	DRG. NO. G40 - E0010-A





ITEM NO.	GRADE	PART NUMBER	DESCRIPTION	QTY.	TORQUE FT LB's
1	A -		Ford Zetec 1.8 Ltr 115 PS	1	
2	A	GCG0025	radiator	1	
3	A	G40 - P0001	Header Tank Cap	1	
4	A	P0003	Water Header Tank	1	
5	B -		Ø12mm Hose	1	
6	B -		Ø8mm Hose	1	
7	C -		30-40mm - Jubilee Clip	8	
8	C -		9-12mm - Jubilee Clip	3	
9	C		13-20mm - Jubilee Clip	2	
10	A -		45° - Ø32mm Hose	3	
11	A -		90° - Ø32mm Hose	1	

All water system cooling pipes should be cable tied to the chassis

Drawing shows Schematic of Water Cooling System
Pictorial representation of bend angles and positions only

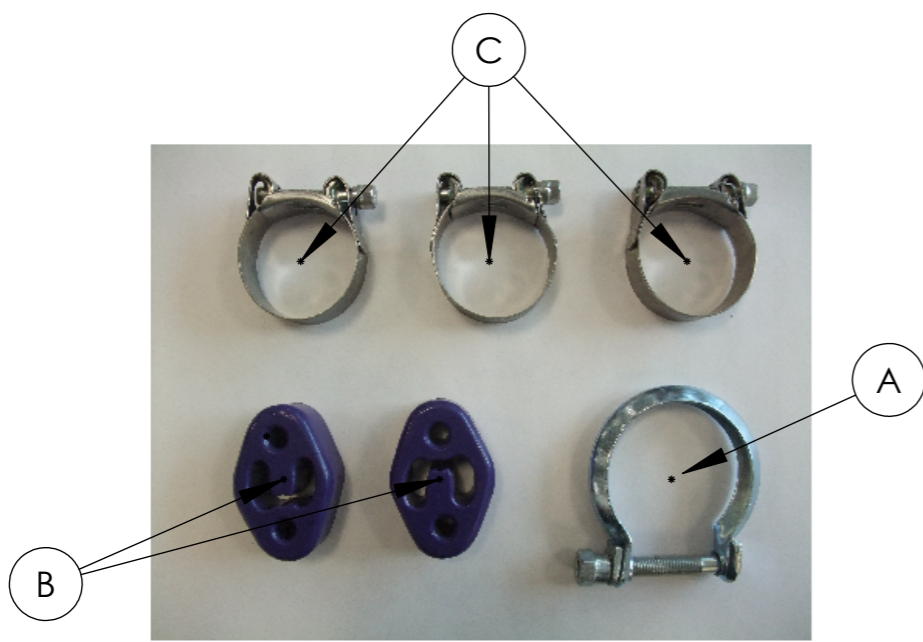
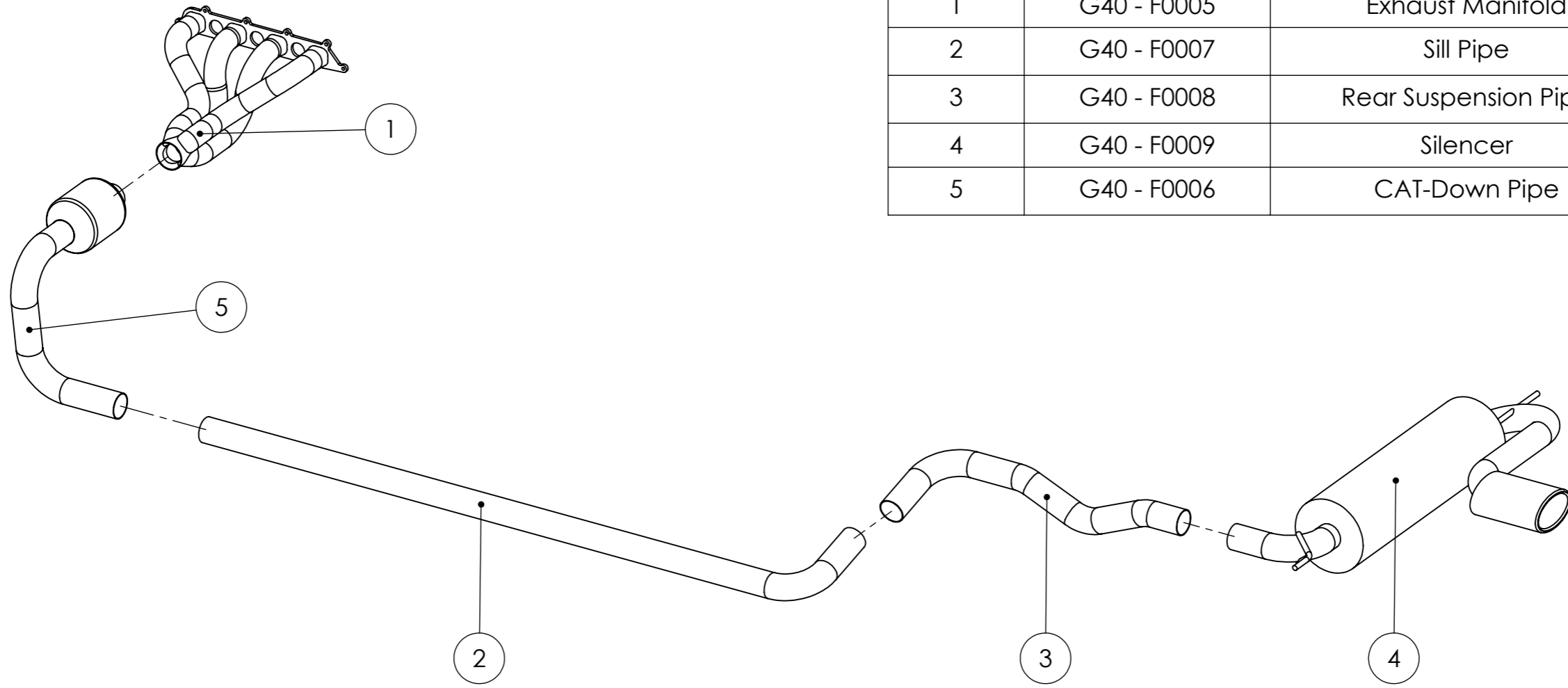
WEIGHT(g)	N/A	MATERIAL	N/A	COPYRIGHT NOTE THIS DRAWING AND INFORMATION IS THE PROPERTY OF LNT AUTOMOTIVE AND MUST NOT BE REPRODUCED, USED FOR MANUFACTURE OR DISCLOSED TO A THIRD PARTY WITHOUT WRITTEN CONSENT.	
TOLERANCE :	UNLESS STATED LINEAR ±0.1mm ANGULAR ±0.5°	FINISH	N/A	PROJECTION THIRD ANGLE	DO NOT SCALE IF IN DOUBT ASK ALL DIMENSIONS IN MILLIMETRES
DRAWN	AS	DESCRIPTION	G40 - X0016 - Cooling System Schematic		
DATE	11.01.10				
APPROVED	ML	SCALE	1:6	A3	SHEET 1 OF 1
		DRG. NO.	G40 - X0016		REV.
		QUANTITY PER CAR:	1		

Ginetta Cars, Unit 2, Helios 47, 1 Isabella Road, Garforth, West Yorkshire, England LS25 2DY.
Tel: 44 (0)1909 515 116 Fax: 44 (0)1909 515 699 www.Ginettacars.com



LNT automotive

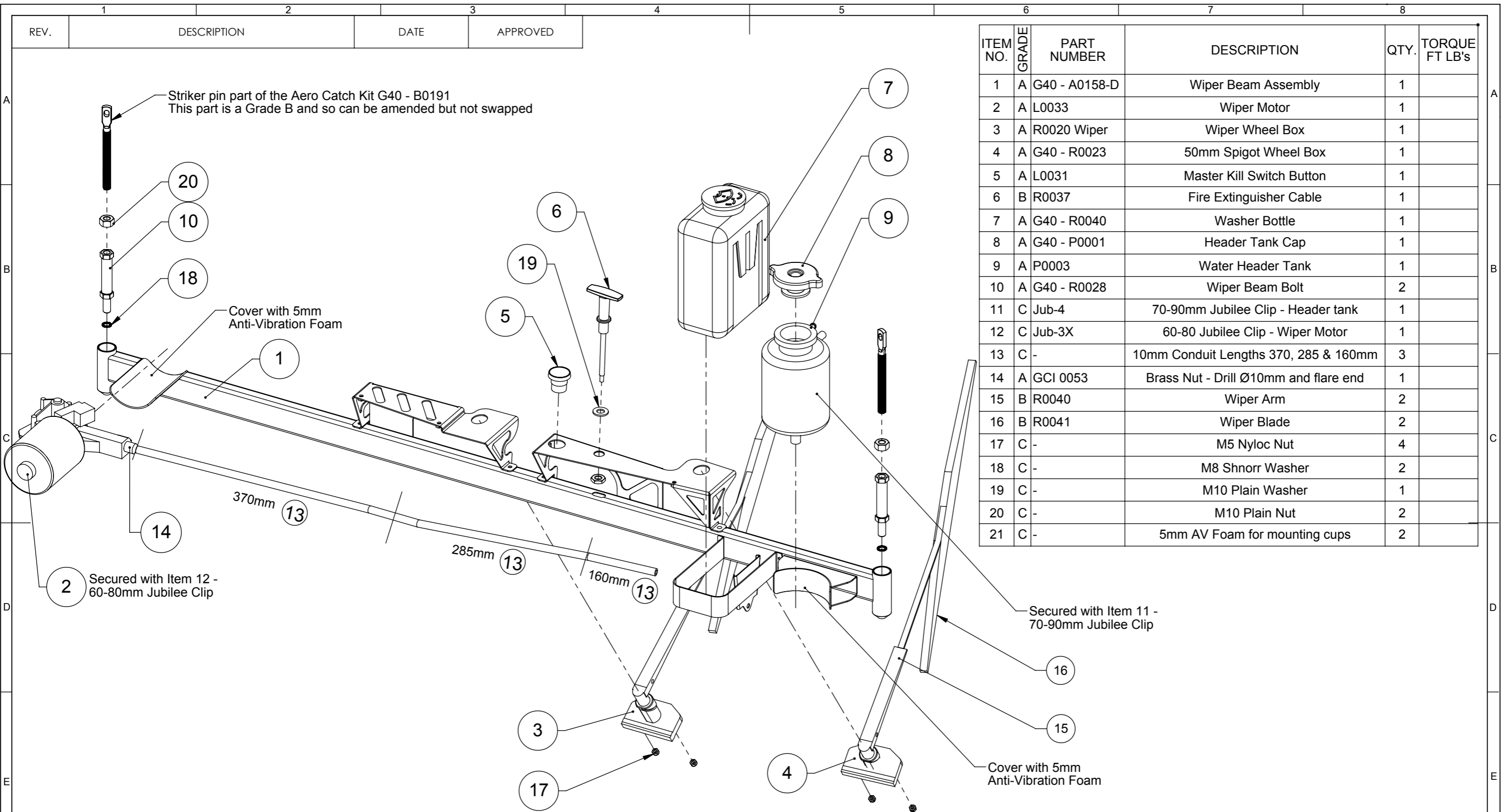
ITEM NO.	PART NUMBER	DESCRIPTION	QTY.
1	G40 - F0005	Exhaust Manifold	1
2	G40 - F0007	Sill Pipe	1
3	G40 - F0008	Rear Suspension Pipe	1
4	G40 - F0009	Silencer	1
5	G40 - F0006	CAT-Down Pipe	1



Exhaust Fitting Kit
 A, Exhaust Clamp, manifold to CAT down pipe.
 B, FEM 3003, Exhaust rubber mounting.
 C, Stainless steel slip joint clamp.

WEIGHT(g)	MATERIAL	COPYRIGHT NOTE THIS DRAWING AND INFORMATION IS THE PROPERTY OF LNT AUTOMOTIVE AND MUST NOT BE REPRODUCED, USED FOR MANUFACTURE OR DISCLOSED TO A THIRD PARTY WITHOUT WRITTEN CONSENT.	
TOLERANCE : LINEAR ±0.1mm ANGULAR ±0.5°	FINISH REMOVE ALL BURRS AND SHARP EDGES	PROJECTION THIRD ANGLE 	DO NOT SCALE IF IN DOUBT ASK ALL DIMENSIONS IN MILLIMETRES
DRAWN DRM	DESCRIPTION - G40 - X0035 Exhaust Assy	QUANTITY PER CAR:	
DATE 12/03/2010		1	
APPROVED ML	SCALE 1:10	A3	SHEET 1 OF 1
	DRG. NO. G40 - X0035	REV. -	

Ginetta Cars, Unit 2, Helios 47, 1 Isabella Road, Garforth, West Yorkshire, England LS25 2DY.
 Tel: 44 (0)1909 515 116 Fax: 44 (0)1909 515 699 www.Ginettacars.com



ITEM NO.	GRADE	PART NUMBER	DESCRIPTION	QTY.	TORQUE FT LB'S
1	A	G40 - A0158-D	Wiper Beam Assembly	1	
2	A	L0033	Wiper Motor	1	
3	A	R0020 Wiper	Wiper Wheel Box	1	
4	A	G40 - R0023	50mm Spigot Wheel Box	1	
5	A	L0031	Master Kill Switch Button	1	
6	B	R0037	Fire Extinguisher Cable	1	
7	A	G40 - R0040	Washer Bottle	1	
8	A	G40 - P0001	Header Tank Cap	1	
9	A	P0003	Water Header Tank	1	
10	A	G40 - R0028	Wiper Beam Bolt	2	
11	C	Jub-4	70-90mm Jubilee Clip - Header tank	1	
12	C	Jub-3X	60-80 Jubilee Clip - Wiper Motor	1	
13	C	-	10mm Conduit Lengths 370, 285 & 160mm	3	
14	A	GCI 0053	Brass Nut - Drill Ø10mm and flare end	1	
15	B	R0040	Wiper Arm	2	
16	B	R0041	Wiper Blade	2	
17	C	-	M5 Nyloc Nut	4	
18	C	-	M8 Shnorrr Washer	2	
19	C	-	M10 Plain Washer	1	
20	C	-	M10 Plain Nut	2	
21	C	-	5mm AV Foam for mounting cups	2	

Notes:-
 • Minimum of 1 wiper arm / blade assembly must be fitted on the drivers side at all times

WEIGHT(g)	N/A	MATERIAL	N/A	COPYRIGHT NOTE THIS DRAWING AND INFORMATION IS THE PROPERTY OF LNT AUTOMOTIVE AND MUST NOT BE REPRODUCED, USED FOR MANUFACTURE OR DISCLOSED TO A THIRD PARTY WITHOUT WRITTEN CONSENT.	
TOLERANCE :	UNLESS STATED LINEAR ±0.1mm ANGULAR ±0.5°	FINISH	N/A	PROJECTION THIRD ANGLE 	DO NOT SCALE IF IN DOUBT ASK ALL DIMENSIONS IN MILLIMETRES
DRAWN	AS	DESCRIPTION	G40 - X0015- Wiper Beam Assembly		
DATE	08.01.10	QUANTITY PER CAR:	1		
APPROVED	ML	SCALE	1:5	A3	SHEET 1 OF 1
		DRG. NO.	G40 - X0015		REV. -

Ginetta Cars, Unit 2, Helios 47, 1 Isabella Road, Garforth, West Yorkshire, England LS25 2DY.
 Tel: 44 (0)1909 515 116 Fax: 44 (0)1909 515 699 www.Ginettacars.com

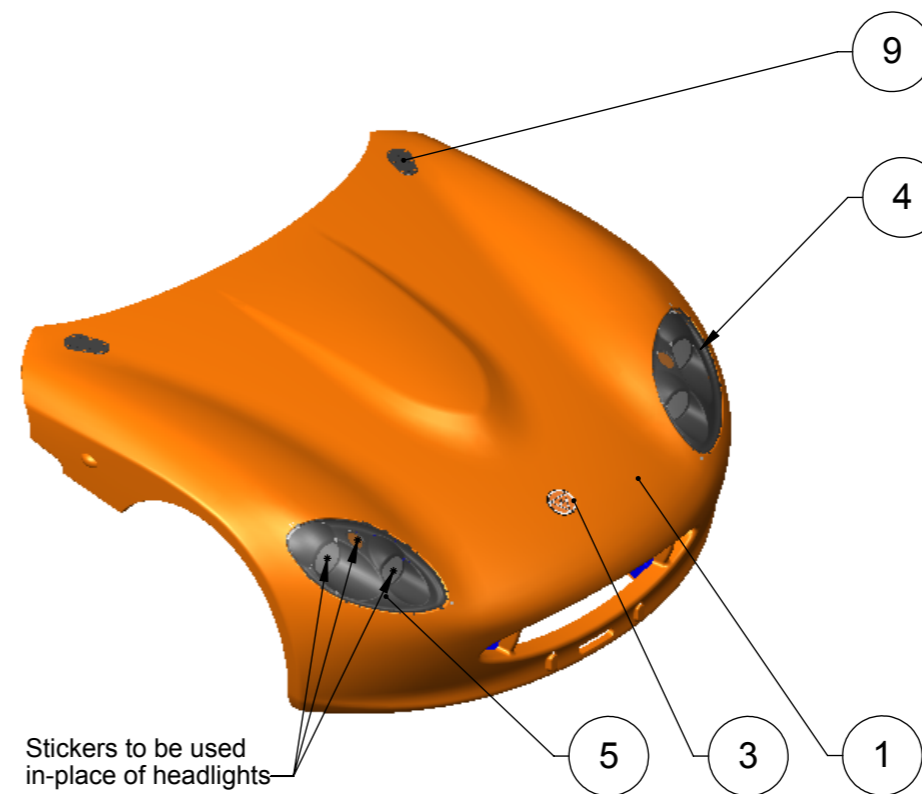
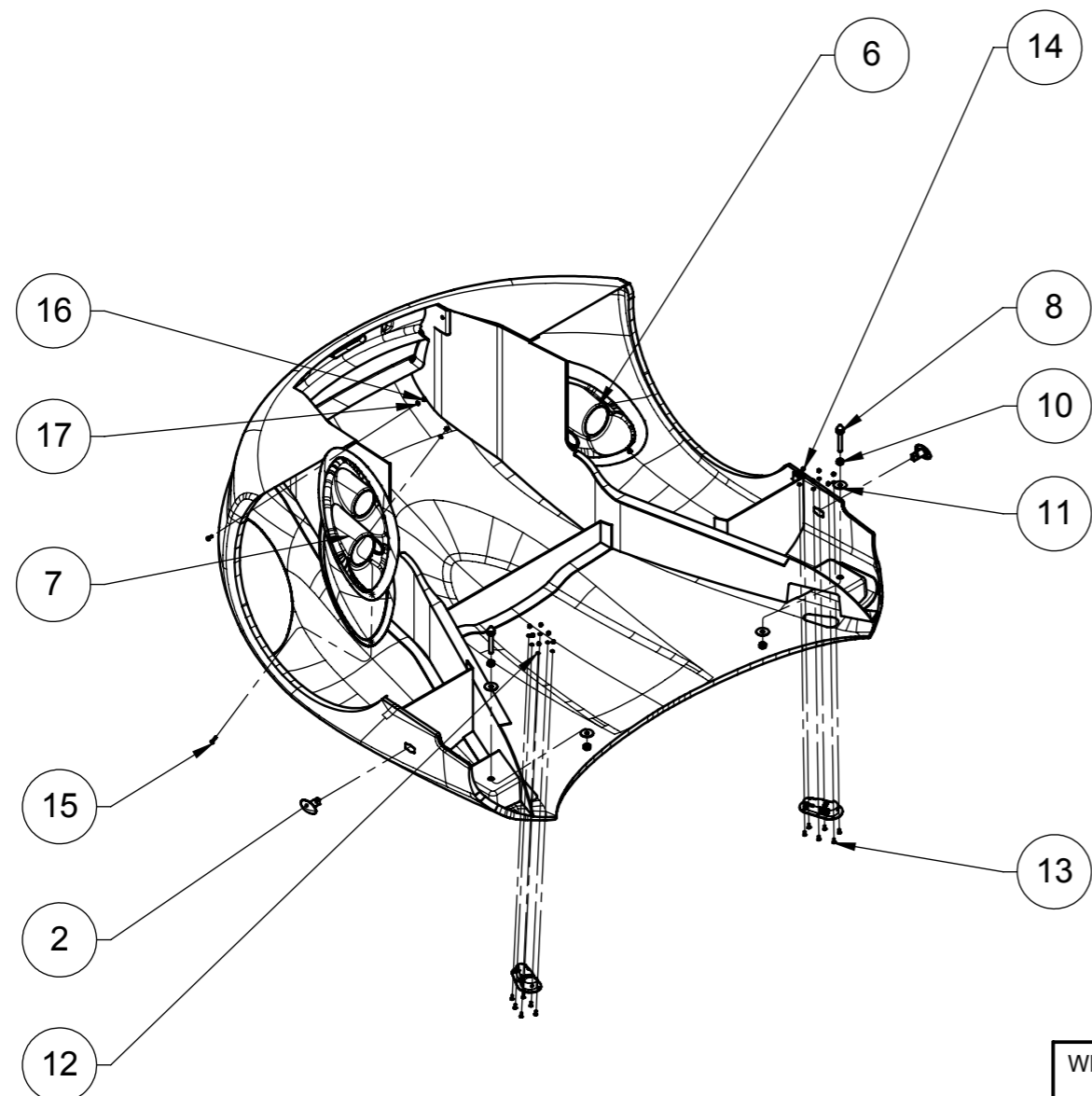


LNT automotive

1	2	3	4	5	6	7	8
REV.	MODIFICATION	DRAWN	CHECKED	DATE			

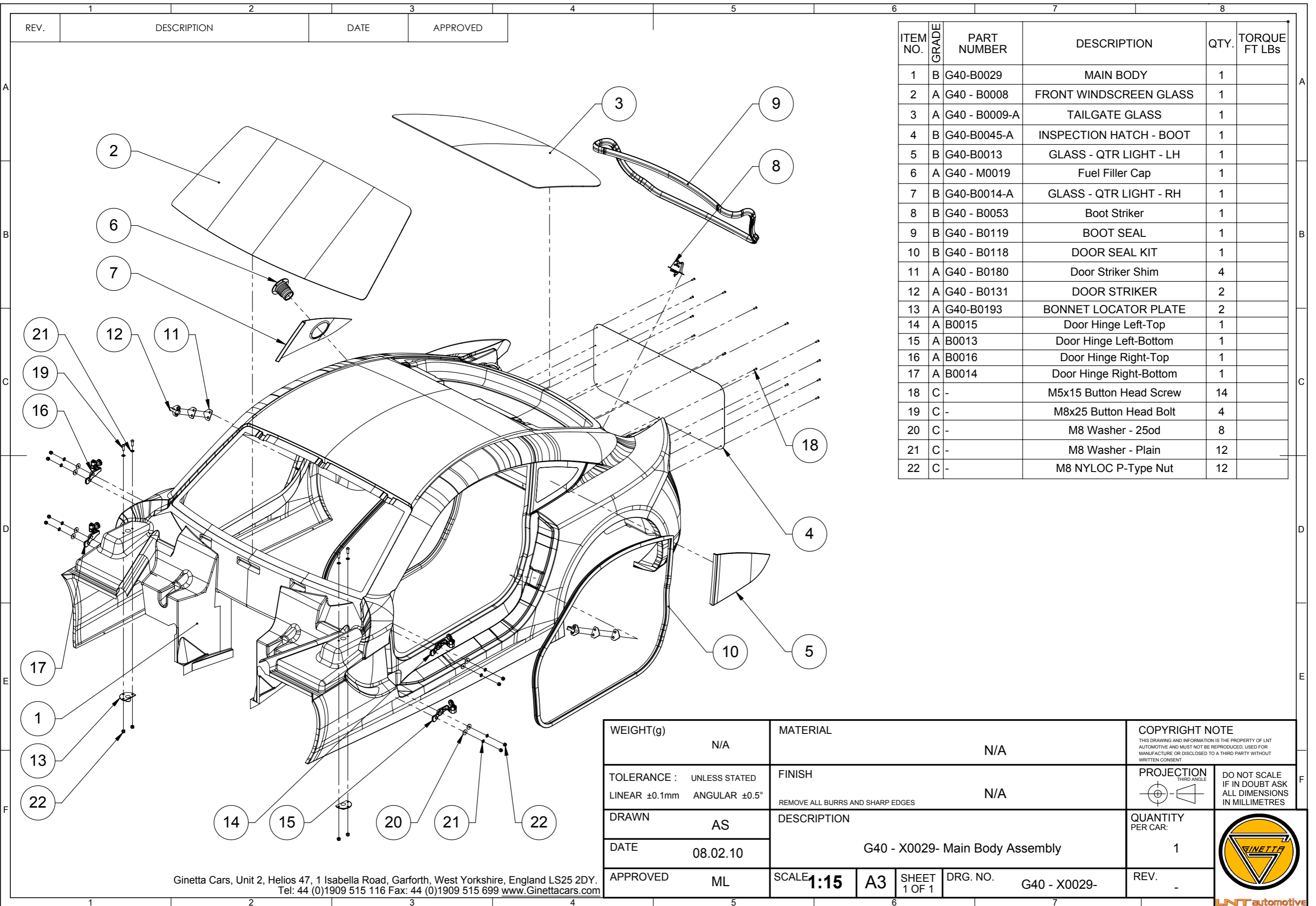
-Items 4 & 5 to be rivet and bonded to items 6 & 7

Ref.	Part	Description	Qty.	Grade
1	G-40- B0007	Bonnet Assembly	1	B
2	G-40- L0043	Side Repeater	1	A
3	-	Ginetta Badge	1	A
4	G40 - B0058	FRONT HEAD LIGHT LENS- LH	1	B
5	G40 - B0059	FRONT HEAD LIGHT LENS- RH	1	B
6	G40- B0186	FRONT HEADLAMP COVER-LH RACE NO HOLES	1	B
7	G40- B0187	FRONT HEADLAMP COVER-RH RACE NO HOLES	1	B
8	G40-B0192	BONNET PIN	2	B
9	-	AEROCATCH PLUS FLUSH	2	B
10	-	M10 Plain Nut	4	C
11	-	M10 Large Washer	4	C
12	-	M4 Washer	12	C
13	-	M4x10 c-sunk head	12	C
14	-	M4 Nyloc Nut	12	C
15	-	M5 x 12 c-sunk head	4	C
16	-	M5 Nyloc Nut	4	C
17	-	M5 Washer	4	C



WEIGHT(g)	MATERIAL N/A	COPYRIGHT NOTE <small>THIS DRAWING AND INFORMATION IS THE PROPERTY OF LNT AUTOMOTIVE AND MUST NOT BE REPRODUCED, USED FOR MANUFACTURE OR DISCLOSED TO A THIRD PARTY WITHOUT WRITTEN CONSENT.</small>	
TOLERANCE : LINEAR ±0.1mm ANGULAR ±0.5°	FINISH N/A <small>REMOVE ALL BURRS AND SHARP EDGES</small>	PROJECTION THIRD ANGLE 	DO NOT SCALE IF IN DOUBT ASK ALL DIMENSIONS IN MILLIMETRES
DRAWN ML	DESCRIPTION G40 - X0034 - BONNET ASSEMBLY	QUANTITY PER CAR:	
DATE 11/03/2010		-	
APPROVED ML	SCALE 1:50	A3	SHEET 1 OF 1
	DRG. NO. G40 - X0034	REV.	

Ginetta Cars, Unit 2, Helios 47, 1 Isabella Road, Garforth, West Yorkshire, England LS25 2DY.
Tel: 44 (0)1909 515 116 Fax: 44 (0)1909 515 699 www.Ginettacars.com

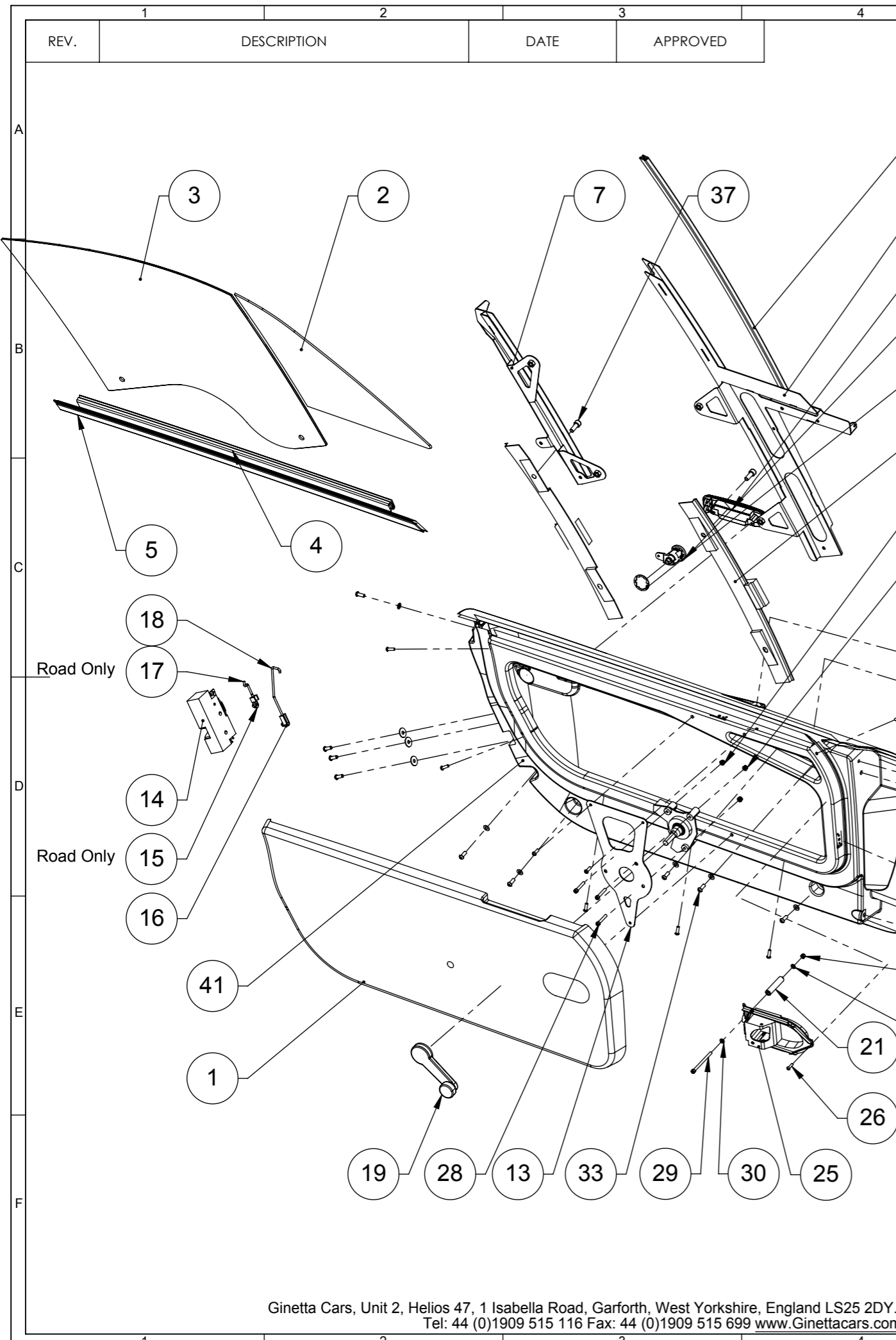


ITEM NO.	GRADE	PART NUMBER	DESCRIPTION	QTY.	TORQUE FT LBS
1	B	G40-B0029	MAIN BODY	1	
2	A	G40 - B0008	FRONT WINDSCREEN GLASS	1	
3	A	G40 - B0009-A	TAILGATE GLASS	1	
4	B	G40-B0045-A	INSPECTION HATCH - BOOT	1	
5	B	G40-B0013	GLASS - QTR LIGHT - LH	1	
6	A	G40 - M0019	Fuel Filler Cap	1	
7	B	G40-B0014-A	GLASS - QTR LIGHT - RH	1	
8	B	G40 - B0053	Boot Striker	1	
9	B	G40 - B0119	BOOT SEAL	1	
10	B	G40 - B0118	DOOR SEAL KIT	1	
11	A	G40 - B0180	Door Striker Shim	4	
12	A	G40 - B0131	DOOR STRIKER	2	
13	A	G40-B0193	BONNET LOCATOR PLATE	2	
14	A	B0015	Door Hinge Left-Top	1	
15	A	B0013	Door Hinge Left-Bottom	1	
16	A	B0016	Door Hinge Right-Top	1	
17	A	B0014	Door Hinge Right-Bottom	1	
18	C	-	M5x15 Button Head Screw	14	
19	C	-	M8x25 Button Head Bolt	4	
20	C	-	M8 Washer - 25od	8	
21	C	-	M8 Washer - Plain	12	
22	C	-	M8 NYLOC P-Type Nut	12	

WEIGHT(g)	N/A	MATERIAL	N/A	COPYRIGHT NOTE THIS DRAWING AND INFORMATION IS THE PROPERTY OF LNT AUTOMOTIVE AND MUST NOT BE REPRODUCED, USED FOR MANUFACTURE OR DISCLOSED TO A THIRD PARTY WITHOUT WRITTEN CONSENT.	
TOLERANCE :	UNLESS STATED LINEAR ±0.1mm ANGULAR ±0.5°	FINISH	N/A	PROJECTION THIRD ANGLE 	DO NOT SCALE IF IN DOUBT ASK ALL DIMENSIONS IN MILLIMETRES
DRAWN	AS	DESCRIPTION	G40 - X0029- Main Body Assembly		
DATE	08.02.10	QUANTITY PER CAR:	1		
APPROVED	ML	SCALE	1:15	A3	SHEET 1 OF 1
		DRG. NO.	G40 - X0029-		REV. -

Ginetta Cars, Unit 2, Helios 47, 1 Isabella Road, Garforth, West Yorkshire, England LS25 2DY.
Tel: 44 (0)1909 515 116 Fax: 44 (0)1909 515 699 www.Ginettacars.com

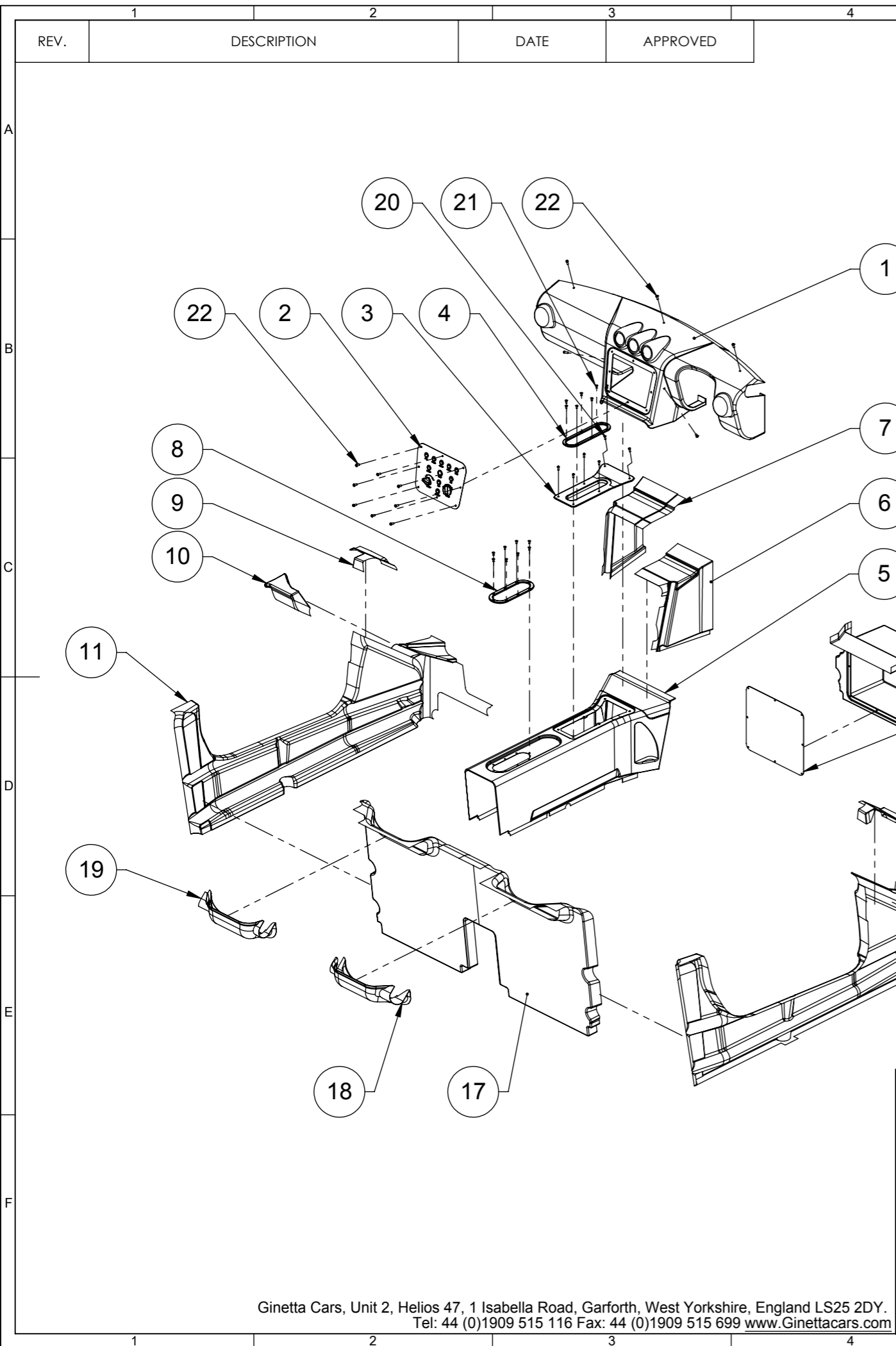




ITEM NO.	GRADE	PART NUMBER	DESCRIPTION	QTY.	TORQUE FT LB'S
1	B	G40-B0037	DOOR TRIM - LH	1	
2	A	G40-B0039	GLASS - CHEATER PANEL - LH	1	
3	A	G40-B0033	GLASS DOOR DROP - LH	1	
4	B	G40 - B0133	INR WEATHERSTRIP DOOR BELT LH	1	
5	B	G40 - B0135	WINDOW SEAL LH	1	
6	A	G40 - B0096-A	Door Drop Glass Channel FWD LH	1	
7	A	G40 - B0108	Door Drop Glass Channel AFT LH	1	
8	B	G40 - B0121	WINDOW FLOCK CHANNEL SMALL	1	
9	A	G40 - B0130	OUTER DOOR HANDLE LH	1	
10	A	G40 - B0141	DOOR LOCK SET	1	
11	A	G40 - B0162	LOCK PLATE	1	
12	A	G40 - B0137	REGULATOR	1	
13	B	G40 - B0107-A	DROP GLASS WINDER BKT	1	
14	A	G40 - B0128	LATCH ASSY LH	1	
15	-	HC2	Clip for lock catch	1	
16	A	HC1	Green Clip For Rod / Catch	1	
17	-	G40 - B0160	LOCK ROD LH	1	
18	A	G40 - B0158	EXT DOOR HANDLE ROD LH	1	
19	A	G40 - B0138	WINDOW WINDER HANDLE	1	
20	B	G40-B0195	MIRROR BLANKING PLATE	1	
21	A	G40-B0179	DOOR HANDLE SPACER	1	
22	A	G40-B0197	DOOR MIRROR LH	1	
23	A	B0015	Door Hinge Left-Top	1	
24	A	B0013	Door Hinge Left-Bottom	1	
25	C	-	Inner Door Handle	1	
26	C	-	M4 x 16 Button Head Screw	1	
27	C	-	M5x15 Button Head Screw	10	
28	C	-	M5x30 cap head	3	
29	C	-	M5x70 Cap Head Screw	1	
30	C	-	M5 Washer - Plain	5	
31	C	-	M5 Nyloc Nut	4	
32	C	-	M6 x 10 Button Head Screw	3	
33	C	-	M6x16 Button Head Screw	10	
34	C	-	M6 WASHER - 20OD	3	
35	C	-	M6 Washer - Plain 12od	1	
36	C	-	M6 Washer - 13od	6	
37	C	-	M8x20 Cap Head Bolt	2	
38	C	-	M8x30 Cap Head Screw	2	
39	C	-	M8 Washer - Plain	2	
40	C	-	7-16 thick washer - W0034	2	

WEIGHT(g)	N/A	MATERIAL	N/A	COPYRIGHT NOTE THIS DRAWING AND INFORMATION IS THE PROPERTY OF LNT AUTOMOTIVE AND MUST NOT BE REPRODUCED, USED FOR MANUFACTURE OR DISCLOSED TO A THIRD PARTY WITHOUT WRITTEN CONSENT.		
TOLERANCE :	UNLESS STATED LINEAR ±0.1mm ANGULAR ±0.5°	FINISH	N/A	PROJECTION THIRD ANGLE 	DO NOT SCALE IF IN DOUBT ASK ALL DIMENSIONS IN MILLIMETRES	
DRAWN	AS	DESCRIPTION	G40 - X0023 - Door Assembly - LH			
DATE	19.01.10					
APPROVED	ML	SCALE	1:10	A3	SHEET 1 OF 1	
Ginetta Cars, Unit 2, Helios 47, 1 Isabella Road, Garforth, West Yorkshire, England LS25 2DY. Tel: 44 (0)1909 515 116 Fax: 44 (0)1909 515 699 www.Ginettacars.com		DRG. NO.	G40 - X0023-		REV.	-

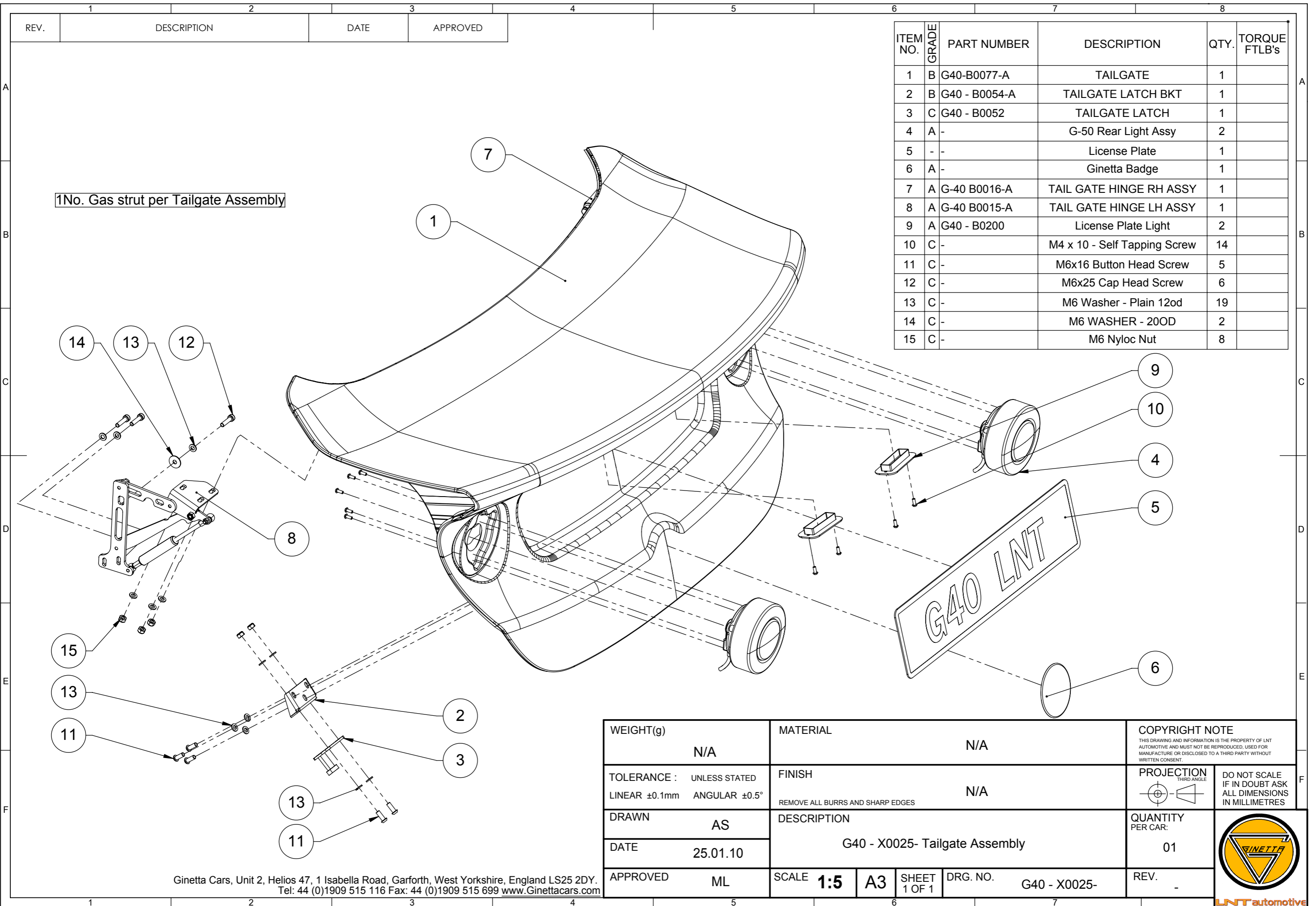




ITEM NO.	GRADE	PART NUMBER	DESCRIPTION	QTY.	TORQUE FT LBS
1		G40 - B0072	DASHBOARD	1	
2		G40 - B0093-	SWITCH PANEL	1	
3		G40 - B0071	TUNNEL INSPECTION PANEL	1	
4		G40-B0188	GEAR LEVER ALUMINIUM BOOT RING (Road Car)	1	
5		G40 - B0070	PROP SHAFT TUNNEL	1	
6		G40 - B0074	PROP SHAFT TUNNEL FWD-RH	1	
7		G40 - B0073	PROP SHAFT TUNNEL FWD-LH	1	
8		G40 - B0147	HAND BRAKE BOOT RING (Road Car)	1	
9		G40-B0182	A PILLAR BLANKING PANEL TOP LH	1	
10		G40-B0184	A PILLAR BLANKING PANEL BOTTOM LH	1	
11		G40-B0047-A	SIDE PANEL - LH	1	
12		G40-B0185	A PILLAR BLANKING PANEL BOTTOM RH	1	
13		G40-B0048-A	SIDE PANEL - RH-	1	
14		G40-B0183	A PILLAR BLANKING PANEL TOP RH	1	
15		G40 - B0076	FOOT WELL ACCESS PANEL	1	
16		G40 - B0075	FOOT WELL LH	1	
17		G40-B0046	REAR BULKHEAD	1	
18		G40-B0050	SEAT BELT COVER - RH-	1	
19		G40-B0049	SEAT BELT COVER - LH	1	
20		-	M5x15 Button Head Screw	6	
21		-	M5 x 12 Countersunk Head	16	
22		-	M6x16 Button Head Screw	13	

WEIGHT(g) N/A		MATERIAL N/A		COPYRIGHT NOTE THIS DRAWING AND INFORMATION IS THE PROPERTY OF LNT AUTOMOTIVE AND MUST NOT BE REPRODUCED, USED FOR MANUFACTURE OR DISCLOSED TO A THIRD PARTY WITHOUT WRITTEN CONSENT.	
TOLERANCE : UNLESS STATED LINEAR ±0.1mm ANGULAR ±0.5°		FINISH REMOVE ALL BURRS AND SHARP EDGES		PROJECTION THIRD ANGLE 	
DRAWN AS		DESCRIPTION G40 - X0027- Internal Body Panels		QUANTITY PER CAR: 01	
DATE 27.01.10					
APPROVED ML		SCALE 1:20	A3		
				REV. -	

Ginetta Cars, Unit 2, Helios 47, 1 Isabella Road, Garforth, West Yorkshire, England LS25 2DY.
Tel: 44 (0)1909 515 116 Fax: 44 (0)1909 515 699 www.Ginettacars.com



1No. Gas strut per Tailgate Assembly

ITEM NO.	GRADE	PART NUMBER	DESCRIPTION	QTY.	TORQUE FTLB'S
1	B	G40-B0077-A	TAILGATE	1	
2	B	G40 - B0054-A	TAILGATE LATCH BKT	1	
3	C	G40 - B0052	TAILGATE LATCH	1	
4	A	-	G-50 Rear Light Assy	2	
5	-	-	License Plate	1	
6	A	-	Ginetta Badge	1	
7	A	G-40 B0016-A	TAIL GATE HINGE RH ASSY	1	
8	A	G-40 B0015-A	TAIL GATE HINGE LH ASSY	1	
9	A	G40 - B0200	License Plate Light	2	
10	C	-	M4 x 10 - Self Tapping Screw	14	
11	C	-	M6x16 Button Head Screw	5	
12	C	-	M6x25 Cap Head Screw	6	
13	C	-	M6 Washer - Plain 12od	19	
14	C	-	M6 WASHER - 20OD	2	
15	C	-	M6 Nyloc Nut	8	

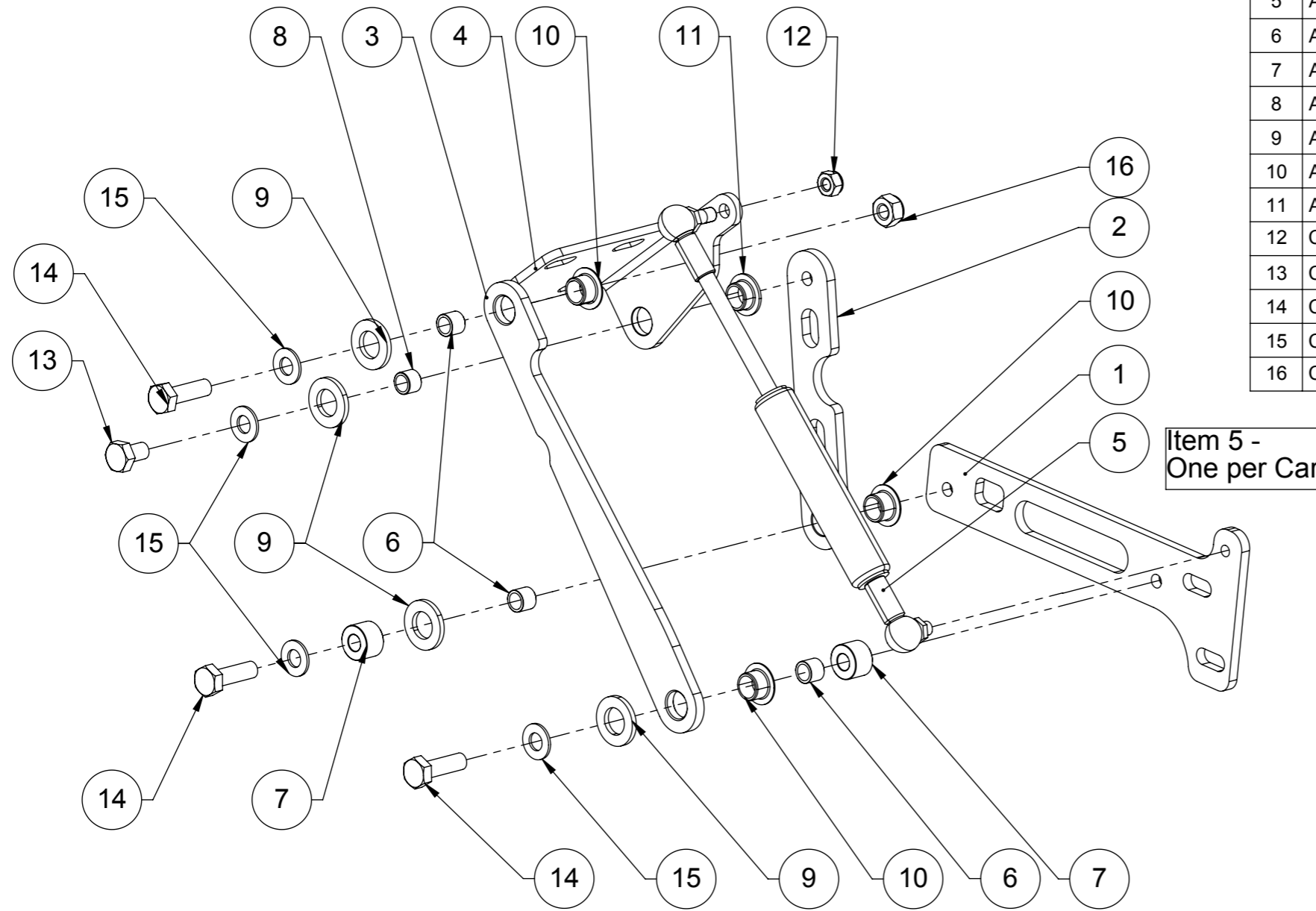
WEIGHT(g)	N/A	MATERIAL	N/A	COPYRIGHT NOTE THIS DRAWING AND INFORMATION IS THE PROPERTY OF LNT AUTOMOTIVE AND MUST NOT BE REPRODUCED, USED FOR MANUFACTURE OR DISCLOSED TO A THIRD PARTY WITHOUT WRITTEN CONSENT.	
TOLERANCE :	UNLESS STATED LINEAR ±0.1mm ANGULAR ±0.5°	FINISH	N/A	PROJECTION THIRD ANGLE 	DO NOT SCALE IF IN DOUBT ASK ALL DIMENSIONS IN MILLIMETRES
DRAWN	AS	DESCRIPTION	G40 - X0025- Tailgate Assembly		
DATE	25.01.10				
APPROVED	ML	SCALE	1:5	A3	SHEET 1 OF 1
		DRG. NO.	G40 - X0025-		REV.
					QUANTITY PER CAR: 01

Ginetta Cars, Unit 2, Helios 47, 1 Isabella Road, Garforth, West Yorkshire, England LS25 2DY.
Tel: 44 (0)1909 515 116 Fax: 44 (0)1909 515 699 www.Ginettacars.com



1	2	3	4
REV.	DESCRIPTION	DATE	APPROVED

ITEM NO.	GRADE	PART NUMBER	DESCRIPTION	QTY.	TORQUE FT LBS
1	A	G40 - B0017-B	TAIL GATE HINGE MAIN	1	
2	A	G40 - B0018-A	TAIL GATE HINGE LINK SHORT	1	
3	A	G40 - B0019 -A	TAIL GATE HINGE LINK LONG	1	
4	A	G-40- B0021-B	TAIL GATE HINGE TOP RH	1	
5	A	G40 - B0030	Tailgate Gas Strut	1	
6	A	G40 - B0023	TAIL GATE HINGE INNER BUSH	3	
7	A	G40 - B0022	TAIL GATE HINGE SPACER	2	
8	A	G40 - B0024	TAIL GATE HINGE INNER BUSH SHORT	1	
9	A	GTM-1018-020	IGUS BEARING	4	
10	A	GFM-0810-065	IGUS BEARING	3	
11	A	GFM-0810-05	IGUS BEARING	1	
12	C	-	M5 Nyloc Nut	1	
13	C	-	M6x10 hex head - Loctite 270	1	
14	C	-	M6x20 hex head - Loctite 270	3	
15	C	-	M6 Washer - 13od	4	
16	C	-	M6 Nyloc Nut	1	

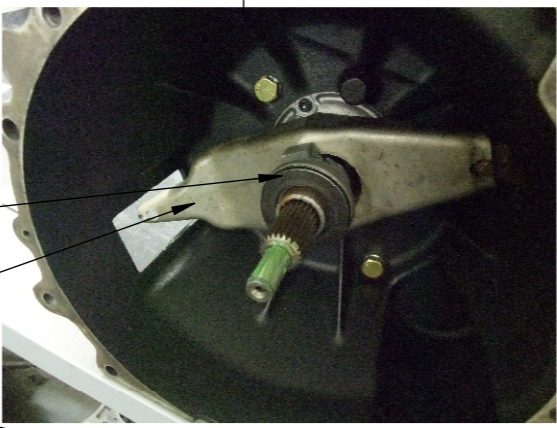
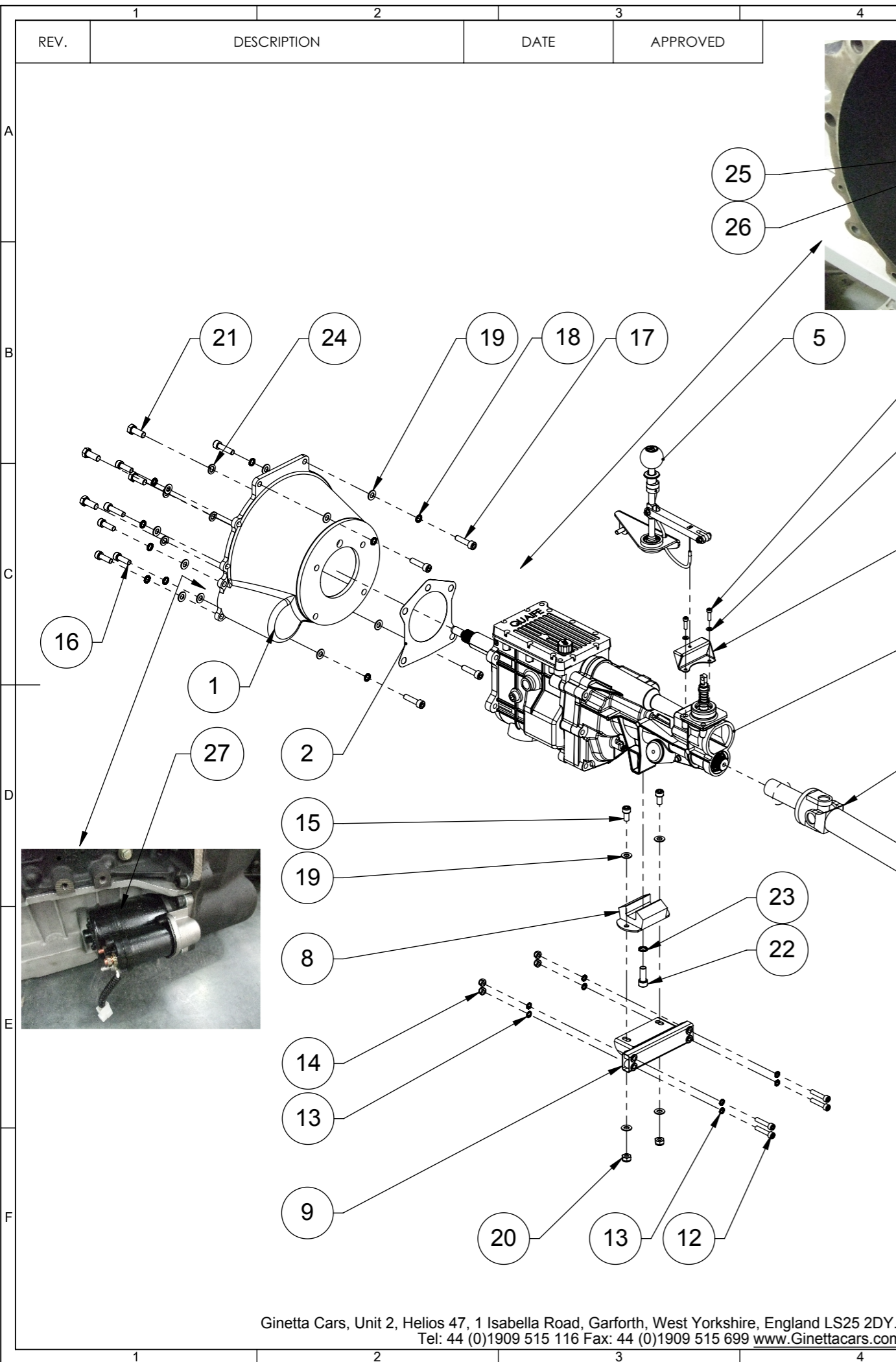


Item 5 -
One per Car

Right hand tailgate hinge shown
Left hand tailgate hinge symmetrically
opposite apart from missing gas strut

See sheet G40 - X0025 for mounting instruction

WEIGHT(g) N/A	MATERIAL N/A	COPYRIGHT NOTE THIS DRAWING AND INFORMATION IS THE PROPERTY OF LNT AUTOMOTIVE AND MUST NOT BE REPRODUCED, USED FOR MANUFACTURE OR DISCLOSED TO A THIRD PARTY WITHOUT WRITTEN CONSENT.	
TOLERANCE : LINEAR ±0.1mm ANGULAR ±0.5°	FINISH REMOVE ALL BURRS AND SHARP EDGES	PROJECTION THIRD ANGLE 	DO NOT SCALE IF IN DOUBT ASK ALL DIMENSIONS IN MILLIMETRES
DRAWN AS	DESCRIPTION G40 - X0026- Tailgate Hinge Assembly - RH	QUANTITY PER CAR: 01	
DATE 26.01.10	SCALE 1:2	DRG. NO. G40 - X0026-	
APPROVED ML	SHEET 1 OF 1	REV. -	

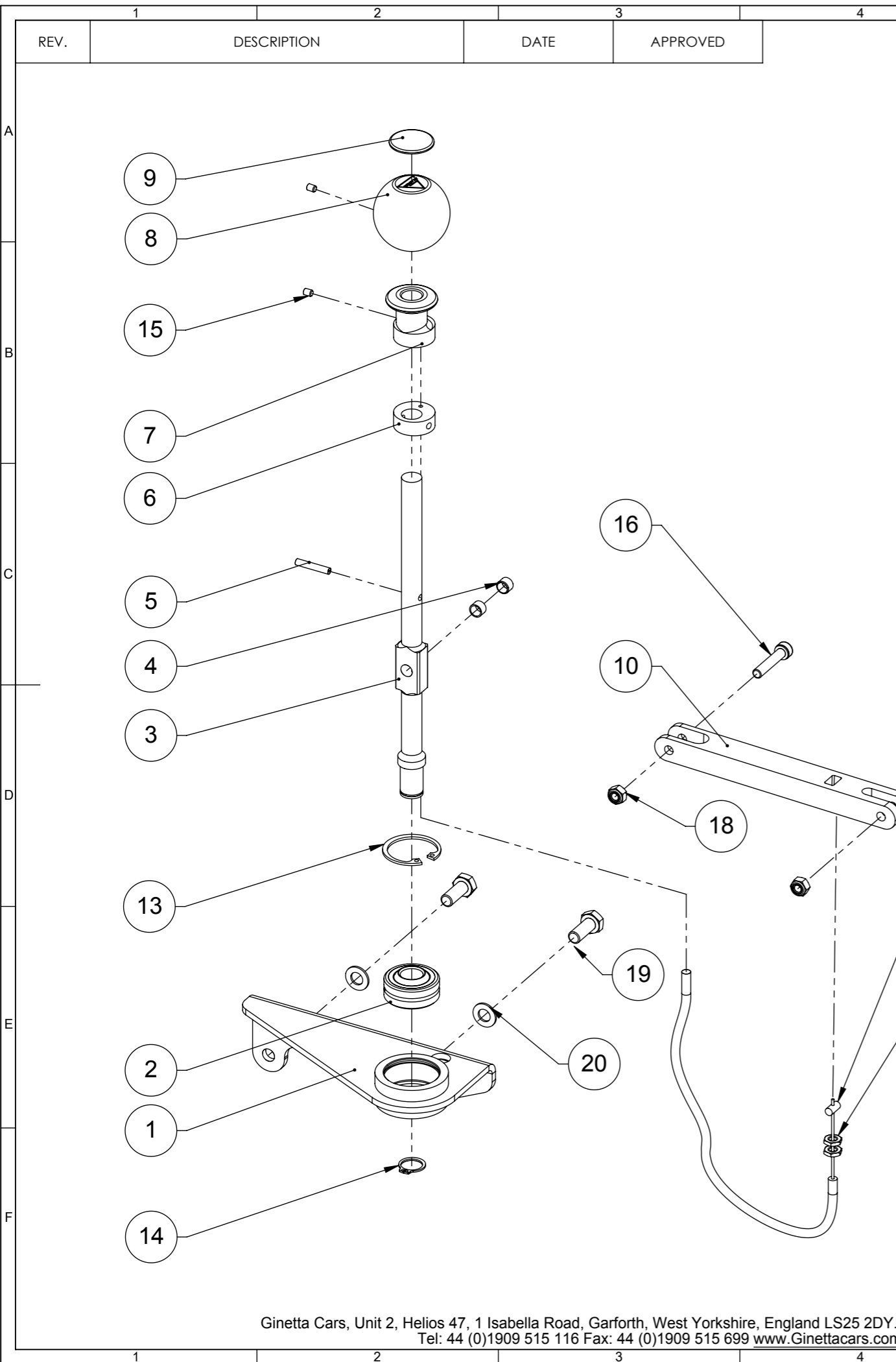


ITEM NO.	GRADE	PART NUMBER	DESCRIPTION	QTY.	TORQUE FT LBS
1	A	GCF0002	Bell Housing	1	
2	B	G40 - G0035	Bell Housing - Gearbox Gasket	1	
3	A	-	Quaife Type 9 - Ford 5-Speed	1	
4	A	G40 - G0013-A	Gear Shift Cable MTG	1	
5	A	G40 - X0022	Gear Lever Linkage Assembly	1	
6	A	G40 - G0022	Propshaft	1	
7	A	G40 - X0013	Diff Mounting Assembly	1	
8	A	EM429	LWR Gearbox Rubber Mount	1	
9	A	G40 - G0001-A	Gearbox Mount - assembly	1	
10	C	-	M8x20 Cap Head Screw	2	20
11	C	-	M8 Washer - Plain 12od	2	
12	C	-	M8X40 Cap Head Screw	4	20
13	C	-	M8 Shnorr Washer	8	
14	C	-	M8 T-Type, NYLOC Nut	4	
15	C	-	M10x20 Cap Head Screw	2	40
16	C	-	M10x30 Cap Head Screw	4	40
17	C	-	M10x40 Cap Head Screw	6	40
18	C	-	M10 Shnorr Washer	10	
19	C	-	M10 Plain Washer	14	
20	C	-	M10 Nyloc Nut - Type T	2	
21	C	-	M12 x 1.5 x 30 Hex Head Bolt	4	55
22	C	-	M12x30 Cap Head Screw	1	45
23	C	-	M12 Shnorr Washer	1	
24	C	-	M12 Spring Washer	4	
25	A	EQ 2044070	Relaese Bearing	1	
26	A	OE 1451642	Release Bearing Arm	1	
27	A	707	Starter Motor	1	

Note: -

- Fit driveshaft to diff bolts using Loctite 243
- Gear Box Oil - Silktran Syn 5
- Approximate Volume - 1.5L - Fill until overflow

WEIGHT(g)	N/A	MATERIAL	N/A	COPYRIGHT NOTE THIS DRAWING AND INFORMATION IS THE PROPERTY OF LNT AUTOMOTIVE AND MUST NOT BE REPRODUCED, USED FOR MANUFACTURE OR DISCLOSED TO A THIRD PARTY WITHOUT WRITTEN CONSENT.		
TOLERANCE :	UNLESS STATED LINEAR ±0.1mm ANGULAR ±0.5°	FINISH	N/A	PROJECTION THIRD ANGLE 	DO NOT SCALE IF IN DOUBT ASK ALL DIMENSIONS IN MILLIMETRES	
DRAWN	AS	DESCRIPTION		QUANTITY PER CAR:		
DATE	28.01.10	G40 - X0028- Drive Train Top Level Assembly		01		
APPROVED	ML	SCALE	1:10	A3	SHEET 1 OF 1	
Ginetta Cars, Unit 2, Helios 47, 1 Isabella Road, Garforth, West Yorkshire, England LS25 2DY. Tel: 44 (0)1909 515 116 Fax: 44 (0)1909 515 699 www.Ginettacars.com		DRG. NO.	G40 - X0028-		REV.	-



ITEM NO.	GRADE	PART NUMBER	DESCRIPTION	QTY.	TORQUE FT LB'S
1	A	G40 - G0010	Gear Lever MTG Plate	1	
2	A	-	14 mm ID 34mm OD Spherical Bearing	1	
3	A	G40 - R0002-A	Gear Lever	1	
4	A	Igus GSM 0608 - 06	G40 Gear Linkage Bearing	2	
5	C	CTL- 665-0426K	Ø4mm Sellock Pin	1	
6	B	G40 - G0031-A	Cable Retaining Collar	1	
7	B	G40 - G0032-A	Gear Lever Collar	1	
8	C	G40 - X0022	Gear Stick Knob	1	
9	C	G40 - Q0004	Gear Stick Ginetta Badge	1	
10	A	G40 - G0012-A	Gear Shift Linkage	1	
11	A	Igus GSM 0608 - 08	G40 Gear Linkage Bearing	1	
12	B	G40 - G0009	Gear Linkage Cable	1	
13	C	-	Circlip DIN 472 - 34 x 1.5	1	
14	C	-	Circlip DIN 471 - 14 x 1	1	
15	C	-	M4 x 5 Grub Screw	2	
16	C	-	M6x30 Cap Head Screw - Zinc	2	
17	C	-	M6 Locking Half Nut	2	
18	C	-	M6 Nyloc Nut	2	
19	C	-	M8x25 Hex Head	2	20
20	C	-	M8 Washer - Plain	2	

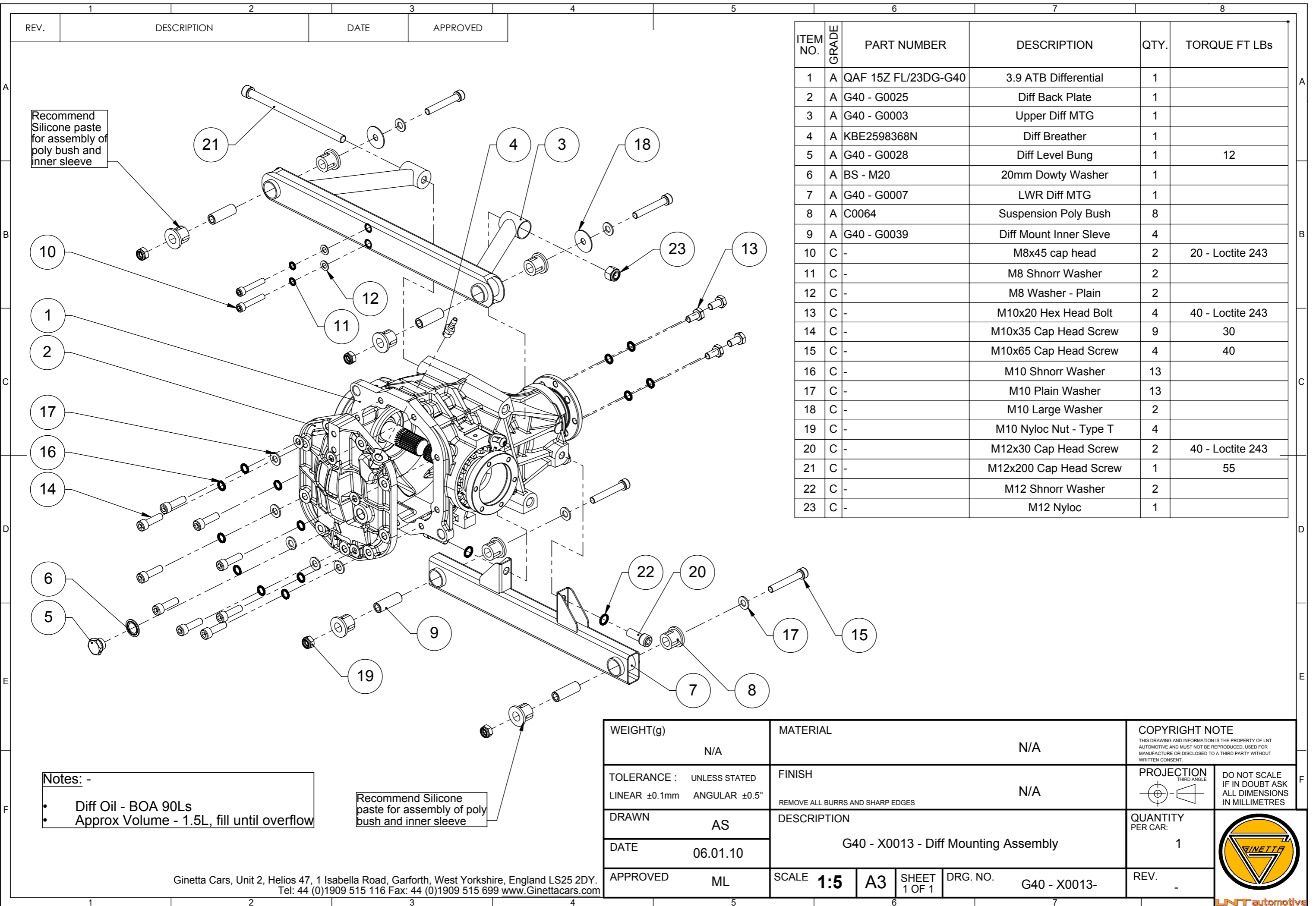
Item 12 - G40 - G0009 to be fed through the gear shift cable mounting bracket G40 - G0013-A. See drawing G40 - X0028 for details

WEIGHT(g)	N/A	MATERIAL	N/A	COPYRIGHT NOTE THIS DRAWING AND INFORMATION IS THE PROPERTY OF LNT AUTOMOTIVE AND MUST NOT BE REPRODUCED, USED FOR MANUFACTURE OR DISCLOSED TO A THIRD PARTY WITHOUT WRITTEN CONSENT.	
TOLERANCE :	UNLESS STATED LINEAR ±0.1mm ANGULAR ±0.5°	FINISH	N/A	PROJECTION THIRD ANGLE 	DO NOT SCALE IF IN DOUBT ASK ALL DIMENSIONS IN MILLIMETRES
DRAWN	AS	DESCRIPTION	G40 - X0022 - Gear Lever Linkage Assembly		
DATE	14.01.10				
APPROVED	ML	SCALE	1:3	A3	SHEET 1 OF 1
		DRG. NO.	G40 - X0022		REV.
					1

Ginetta Cars, Unit 2, Helios 47, 1 Isabella Road, Garforth, West Yorkshire, England LS25 2DY.
Tel: 44 (0)1909 515 116 Fax: 44 (0)1909 515 699 www.Ginettacars.com



LNT automotive



Recommend Silicone paste for assembly of poly bush and inner sleeve

Recommend Silicone paste for assembly of poly bush and inner sleeve

Notes: -
 • Diff Oil - BOA 90Ls
 • Approx Volume - 1.5L, fill until overflow

ITEM NO.	GRADE	PART NUMBER	DESCRIPTION	QTY.	TORQUE FT LBS
1	A	QAF 15Z FL/23DG-G40	3.9 ATB Differential	1	
2	A	G40 - G0025	Diff Back Plate	1	
3	A	G40 - G0003	Upper Diff MTG	1	
4	A	KBE2598368N	Diff Breather	1	
5	A	G40 - G0028	Diff Level Bung	1	12
6	A	BS - M20	20mm Dowty Washer	1	
7	A	G40 - G0007	LWR Diff MTG	1	
8	A	C0064	Suspension Poly Bush	8	
9	A	G40 - G0039	Diff Mount Inner Sleeve	4	
10	C	-	M8x45 cap head	2	20 - Loctite 243
11	C	-	M8 Shnorr Washer	2	
12	C	-	M8 Washer - Plain	2	
13	C	-	M10x20 Hex Head Bolt	4	40 - Loctite 243
14	C	-	M10x35 Cap Head Screw	9	30
15	C	-	M10x65 Cap Head Screw	4	40
16	C	-	M10 Shnorr Washer	13	
17	C	-	M10 Plain Washer	13	
18	C	-	M10 Large Washer	2	
19	C	-	M10 Nyloc Nut - Type T	4	
20	C	-	M12x30 Cap Head Screw	2	40 - Loctite 243
21	C	-	M12x200 Cap Head Screw	1	55
22	C	-	M12 Shnorr Washer	2	
23	C	-	M12 Nyloc	1	

WEIGHT(g)	N/A	MATERIAL	N/A	COPYRIGHT NOTE THIS DRAWING AND INFORMATION IS THE PROPERTY OF LNT AUTOMOTIVE AND MUST NOT BE REPRODUCED, USED FOR MANUFACTURE OR DISCLOSED TO A THIRD PARTY WITHOUT WRITTEN CONSENT.	
TOLERANCE :	UNLESS STATED LINEAR ±0.1mm ANGULAR ±0.5°	FINISH	N/A	PROJECTION THIRD ANGLE 	DO NOT SCALE IF IN DOUBT ASK ALL DIMENSIONS IN MILLIMETRES
DRAWN	AS	DESCRIPTION	G40 - X0013 - Diff Mounting Assembly		
DATE	06.01.10	QUANTITY PER CAR:	1		
APPROVED	ML	SCALE	1:5	A3	SHEET 1 OF 1
		DRG. NO.	G40 - X0013-		REV.

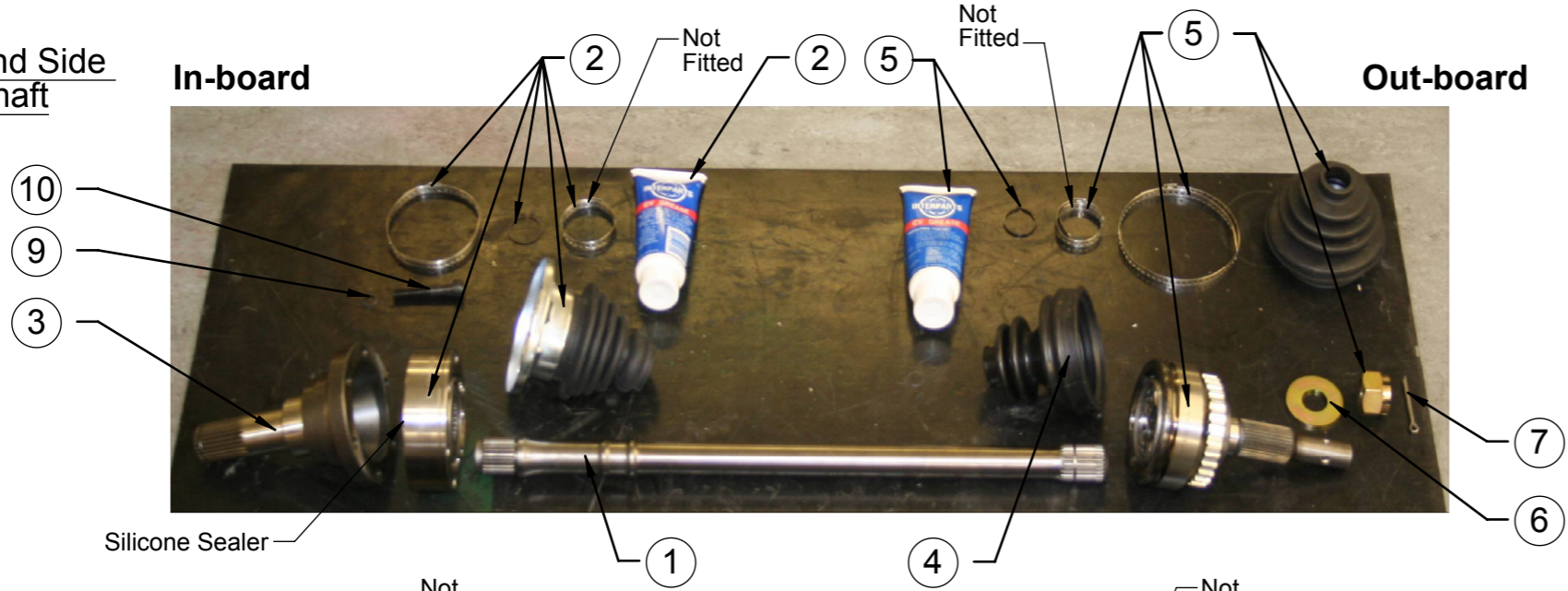
Ginetta Cars, Unit 2, Helios 47, 1 Isabella Road, Garforth, West Yorkshire, England LS25 2DY.
 Tel: 44 (0)1909 515 116 Fax: 44 (0)1909 515 699 www.Ginettacars.com



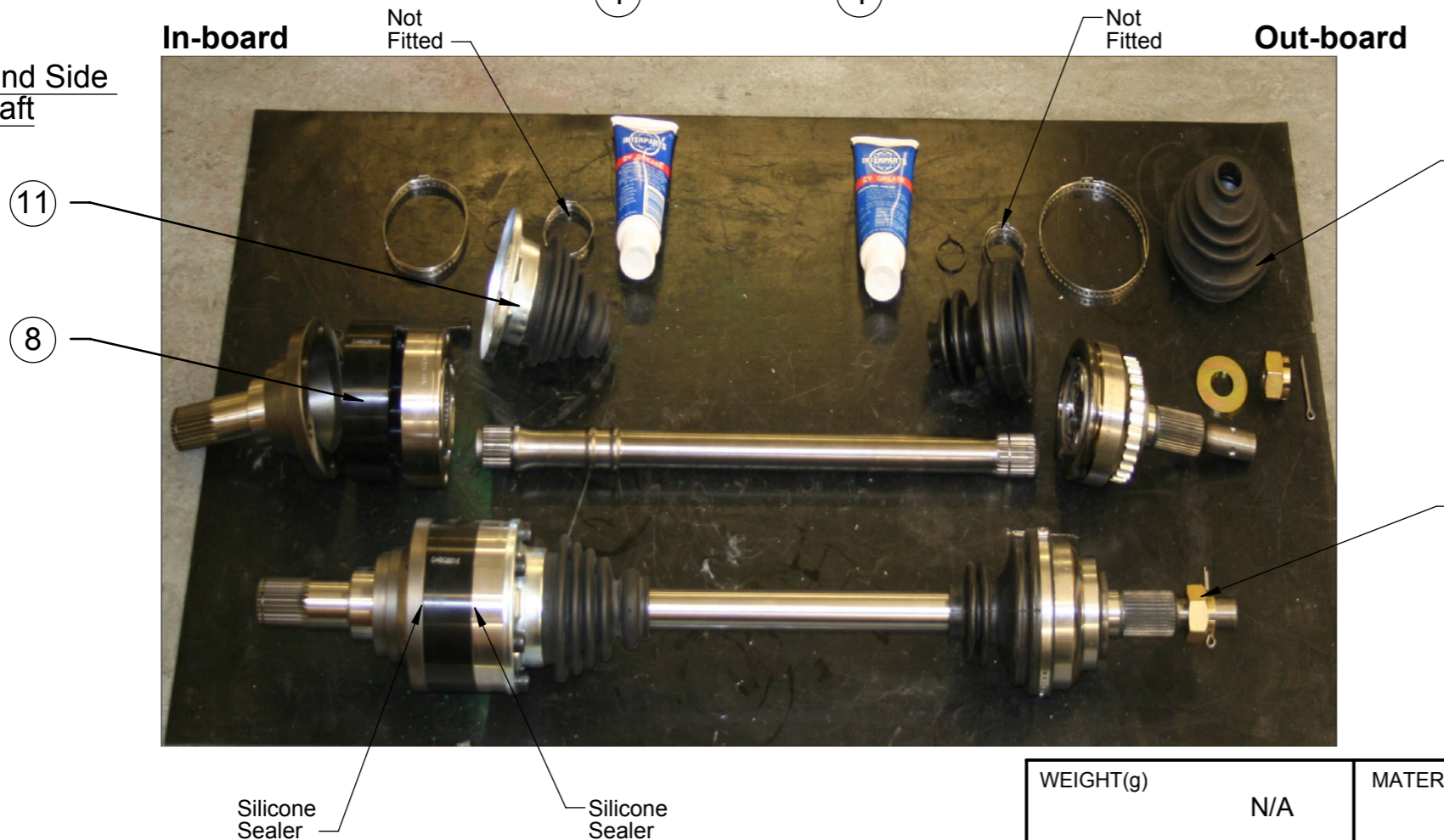
REV.	DESCRIPTION	DATE	APPROVED
------	-------------	------	----------

ITEM NO.	GRADE	PART NO.	DESCRIPTION	QTY. Per Car	TORQUE FT LB'S
1	A	G40 - G0019	Drive Shaft	2	
2	A	G40 - G0018	In-board CV Kit	2	
3	A	F15 Z110	Drive Flange	2	
4	A	G40 - G0027	Out-board Replacement boot	2	
5	A	G40 - G0017	Out-board CV Kit	2	
6	A	G40 - G0026	Hub Washer	2	
7	B	-	4mm Split Pin	2	
8	A	G40 - G0016	In-board Spacer Ring - RHS ONLY	1	
9	C	-	M8 Schnorr Washer	12	
10	C	-	M8 x 50 Cap Head Bolt - LHS ONLY	6	20
11	C	-	M8 x 90 Cap Head Bolt - RHS ONLY	6	20

Left Hand Side Drive Shaft



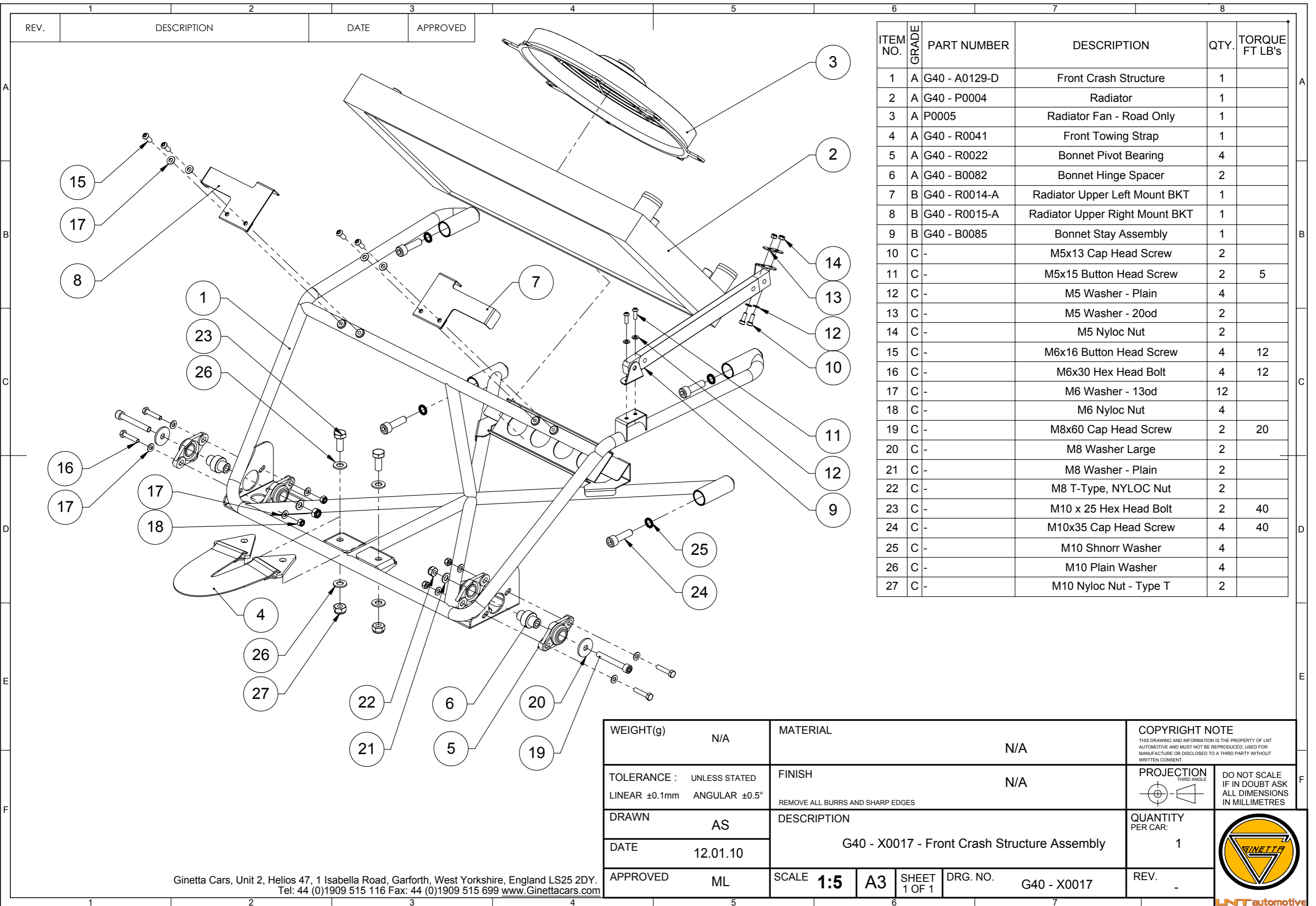
Right Hand Side Drive Shaft



WEIGHT(g)	N/A	MATERIAL	N/A	COPYRIGHT NOTE THIS DRAWING AND INFORMATION IS THE PROPERTY OF LNT AUTOMOTIVE AND MUST NOT BE REPRODUCED, USED FOR MANUFACTURE OR DISCLOSED TO A THIRD PARTY WITHOUT WRITTEN CONSENT.	
TOLERANCE :	UNLESS STATED LINEAR ±0.1mm ANGULAR ±0.5°	FINISH	N/A	PROJECTION THIRD ANGLE 	DO NOT SCALE IF IN DOUBT ASK ALL DIMENSIONS IN MILLIMETRES
DRAWN	AS	DESCRIPTION		QUANTITY PER CAR:	
DATE	13.01.10	G40 - X0021 - Drive Shaft Assembly		01-RHS Drive Shaft 01-LHS Drive Shaft	
APPROVED	ML	SCALE	N/A	A3	SHEET 1 OF 1
		DRG. NO.	G40 - X0021		REV. -

Ginetta Cars, Unit 2, Helios 47, 1 Isabella Road, Garforth, West Yorkshire, England LS25 2DY.
Tel: 44 (0)1909 515 116 Fax: 44 (0)1909 515 699 www.Ginettacars.com



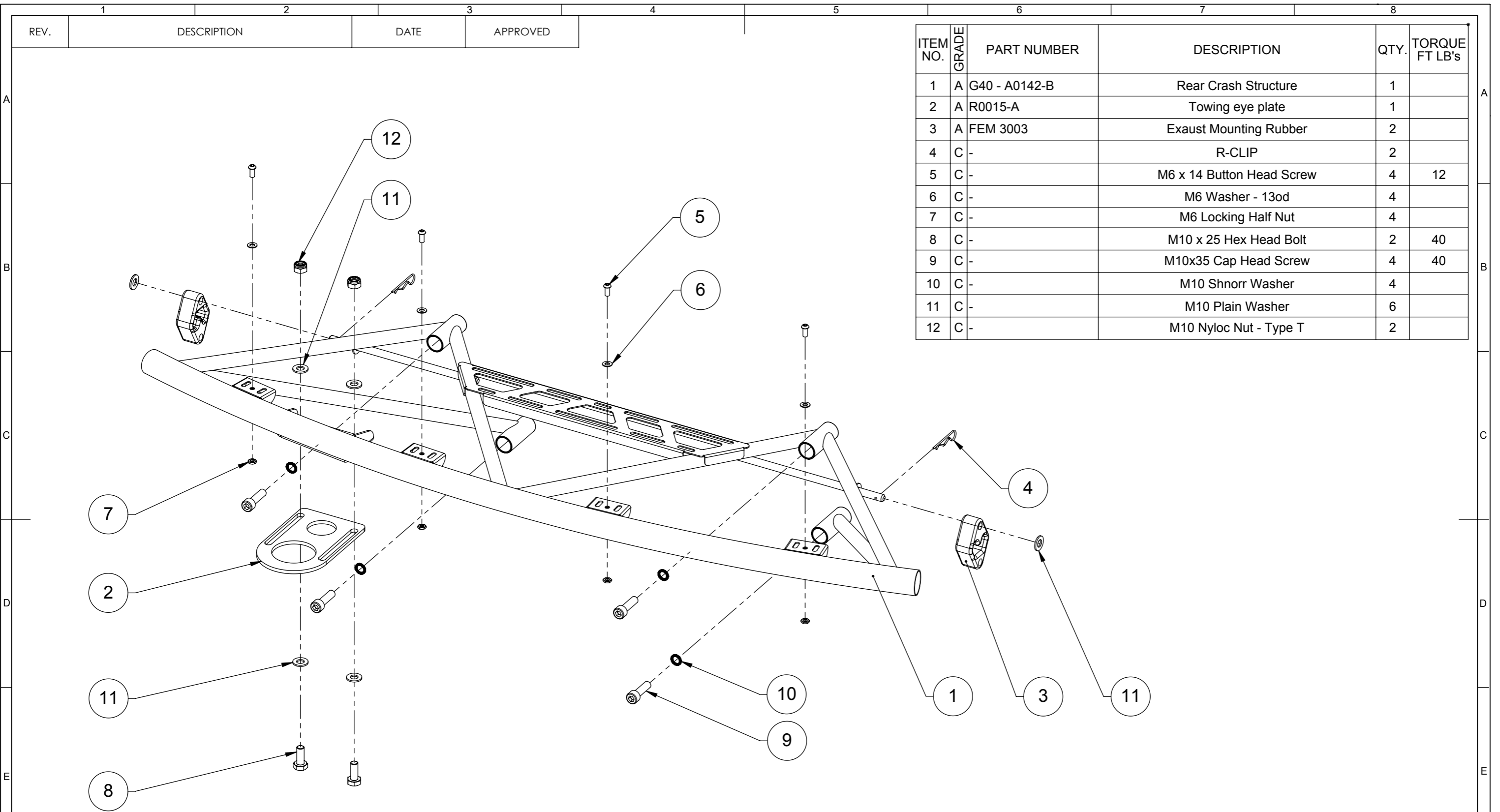


ITEM NO.	GRADE	PART NUMBER	DESCRIPTION	QTY.	TORQUE FT LB's
1	A	G40 - A0129-D	Front Crash Structure	1	
2	A	G40 - P0004	Radiator	1	
3	A	P0005	Radiator Fan - Road Only	1	
4	A	G40 - R0041	Front Towing Strap	1	
5	A	G40 - R0022	Bonnet Pivot Bearing	4	
6	A	G40 - B0082	Bonnet Hinge Spacer	2	
7	B	G40 - R0014-A	Radiator Upper Left Mount BKT	1	
8	B	G40 - R0015-A	Radiator Upper Right Mount BKT	1	
9	B	G40 - B0085	Bonnet Stay Assembly	1	
10	C	-	M5x13 Cap Head Screw	2	
11	C	-	M5x15 Button Head Screw	2	5
12	C	-	M5 Washer - Plain	4	
13	C	-	M5 Washer - 20od	2	
14	C	-	M5 Nyloc Nut	2	
15	C	-	M6x16 Button Head Screw	4	12
16	C	-	M6x30 Hex Head Bolt	4	12
17	C	-	M6 Washer - 13od	12	
18	C	-	M6 Nyloc Nut	4	
19	C	-	M8x60 Cap Head Screw	2	20
20	C	-	M8 Washer Large	2	
21	C	-	M8 Washer - Plain	2	
22	C	-	M8 T-Type, NYLOC Nut	2	
23	C	-	M10 x 25 Hex Head Bolt	2	40
24	C	-	M10x35 Cap Head Screw	4	40
25	C	-	M10 Shnorr Washer	4	
26	C	-	M10 Plain Washer	4	
27	C	-	M10 Nyloc Nut - Type T	2	

WEIGHT(g)	N/A	MATERIAL	N/A	COPYRIGHT NOTE THIS DRAWING AND INFORMATION IS THE PROPERTY OF LNT AUTOMOTIVE AND MUST NOT BE REPRODUCED, USED FOR MANUFACTURE OR DISCLOSED TO A THIRD PARTY WITHOUT WRITTEN CONSENT.	
TOLERANCE :	UNLESS STATED LINEAR ±0.1mm ANGULAR ±0.5°	FINISH	N/A	PROJECTION THIRD ANGLE 	DO NOT SCALE IF IN DOUBT ASK ALL DIMENSIONS IN MILLIMETRES
DRAWN	AS	DESCRIPTION	G40 - X0017 - Front Crash Structure Assembly		
DATE	12.01.10				
APPROVED	ML	SCALE	1:5	A3	SHEET 1 OF 1
		DRG. NO.	G40 - X0017		REV.

Ginetta Cars, Unit 2, Helios 47, 1 Isabella Road, Garforth, West Yorkshire, England LS25 2DY.
Tel: 44 (0)1909 515 116 Fax: 44 (0)1909 515 699 www.Ginettacars.com





ITEM NO.	GRADE	PART NUMBER	DESCRIPTION	QTY.	TORQUE FT LB'S
1	A	G40 - A0142-B	Rear Crash Structure	1	
2	A	R0015-A	Towing eye plate	1	
3	A	FEM 3003	Exhaust Mounting Rubber	2	
4	C	-	R-CLIP	2	
5	C	-	M6 x 14 Button Head Screw	4	12
6	C	-	M6 Washer - 13od	4	
7	C	-	M6 Locking Half Nut	4	
8	C	-	M10 x 25 Hex Head Bolt	2	40
9	C	-	M10x35 Cap Head Screw	4	40
10	C	-	M10 Shnorrr Washer	4	
11	C	-	M10 Plain Washer	6	
12	C	-	M10 Nyloc Nut - Type T	2	

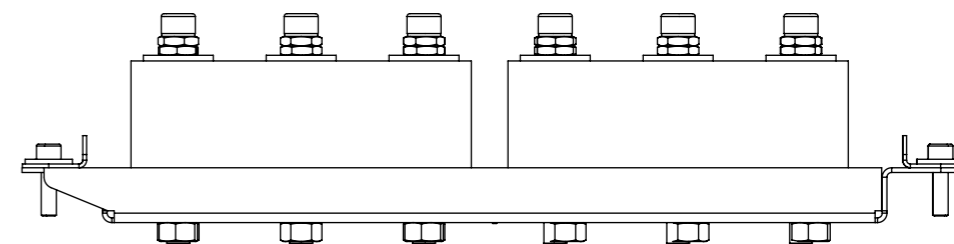
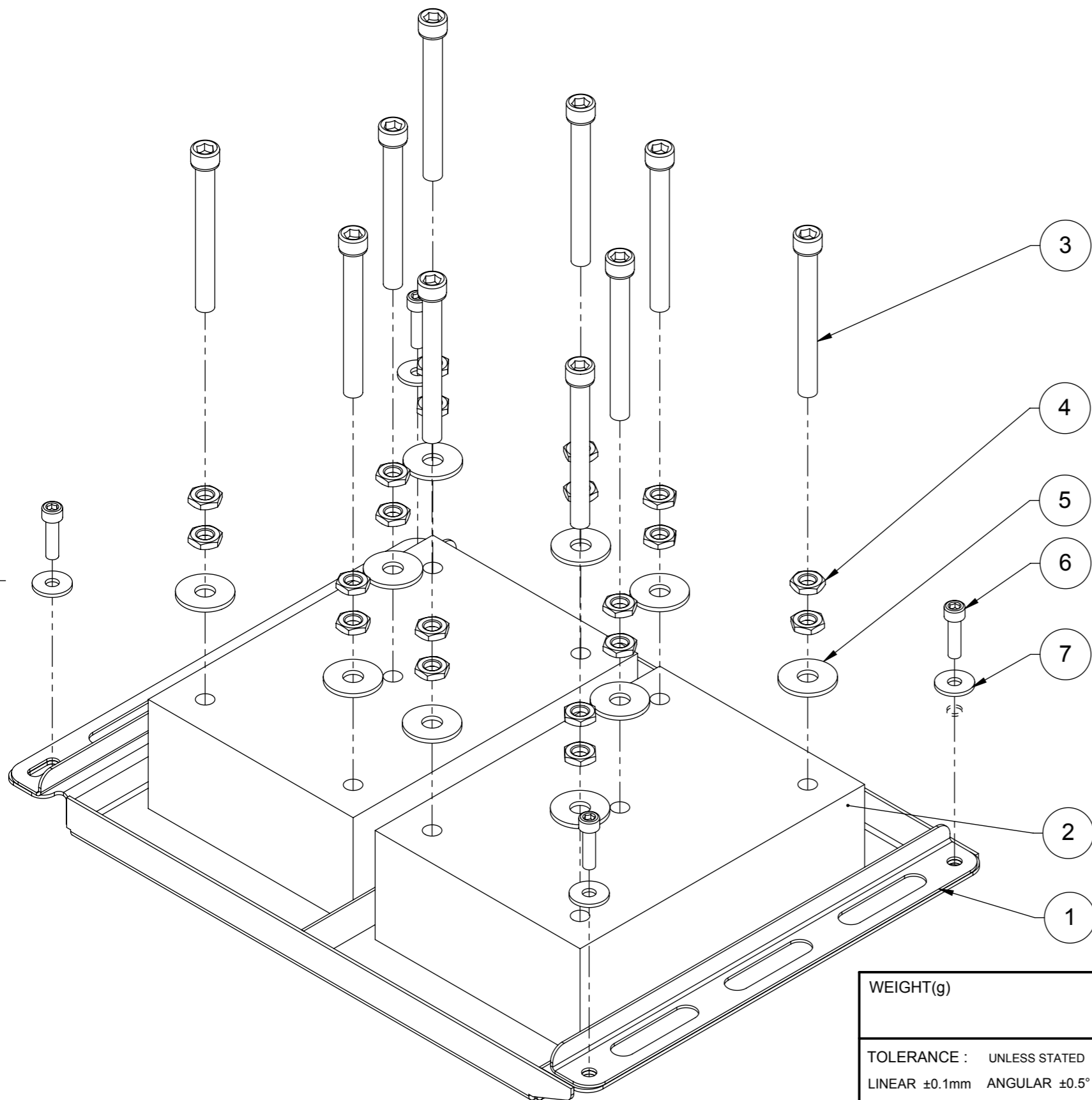
WEIGHT(g)	N/A	MATERIAL	N/A	COPYRIGHT NOTE THIS DRAWING AND INFORMATION IS THE PROPERTY OF LNT AUTOMOTIVE AND MUST NOT BE REPRODUCED, USED FOR MANUFACTURE OR DISCLOSED TO A THIRD PARTY WITHOUT WRITTEN CONSENT.		
TOLERANCE :	UNLESS STATED	FINISH	N/A	PROJECTION THIRD ANGLE 	DO NOT SCALE IF IN DOUBT ASK ALL DIMENSIONS IN MILLIMETRES	
LINEAR	±0.1mm	ANGULAR	±0.5°	REMOVE ALL BURRS AND SHARP EDGES		
DRAWN	AS	DESCRIPTION	G40 - X0018 - Rear Crash Structure Assembly			
DATE	13.01.10					
APPROVED	ML	SCALE	1:5	A3	SHEET 1 OF 1	
		DRG. NO.	G40 - X0018		REV.	-

Ginetta Cars, Unit 2, Helios 47, 1 Isabella Road, Garforth, West Yorkshire, England LS25 2DY.
Tel: 44 (0)1909 515 116 Fax: 44 (0)1909 515 699 www.Ginettacars.com




REV.	1	2	3	4	5	6	7	8
	MODIFICATION	DRAWN	CHECKED	DATE				

Ref.	PART	DESCRIPTION	Default /QTY.
1	G40 - R0032-A	Ballast Tray Assembly	1
2	-	Lead Ballast	1
3	-	M12x110 (12.9) Cap Head Screw	10
4	-	M12 Lock Nut	20
5	-	M12 Washer Large - Od 37	10
6	-	M8x30 (12.9) Cap Head Screw	4
7	-	M8 Washer - 25od	4



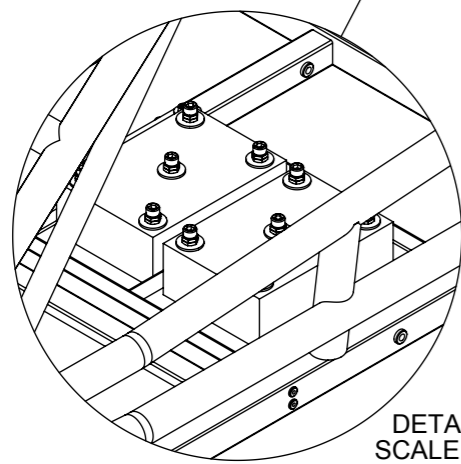
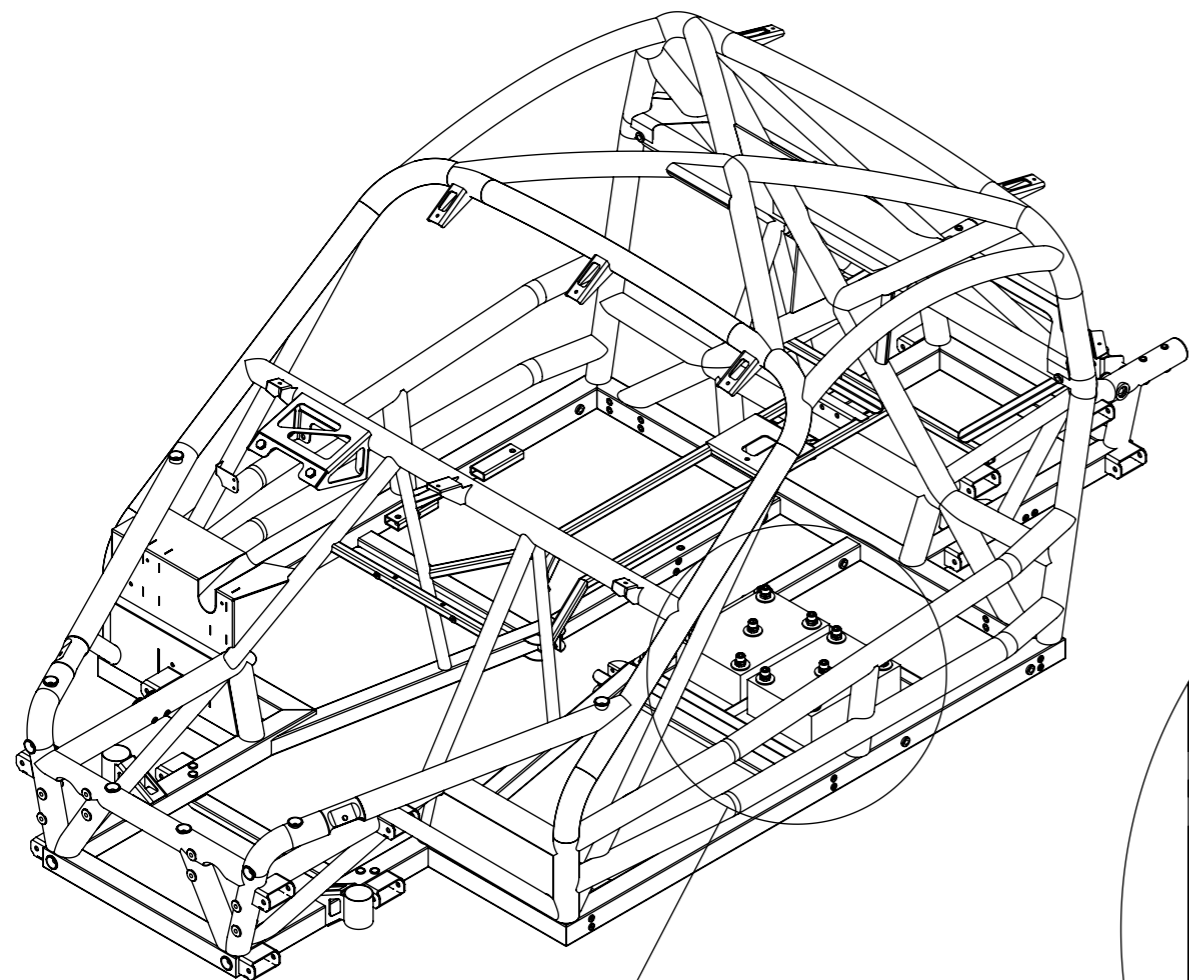
Notes:-

- All Cap Head Screws should be 12.9 spec
- Ginetta Advise Tacking the large M8 Washers to the Tray

WEIGHT(g)	MATERIAL	COPYRIGHT NOTE	
	N/A	THIS DRAWING AND INFORMATION IS THE PROPERTY OF LNT AUTOMOTIVE AND MUST NOT BE REPRODUCED, USED FOR MANUFACTURE OR DISCLOSED TO A THIRD PARTY WITHOUT WRITTEN CONSENT.	
TOLERANCE : LINEAR ±0.1mm ANGULAR ±0.5°	FINISH REMOVE ALL BURRS AND SHARP EDGES	PROJECTION THIRD ANGLE	DO NOT SCALE IF IN DOUBT ASK ALL DIMENSIONS IN MILLIMETRES
DRAWN AS	DESCRIPTION G40 - X0037 - Ballast Tray Full Assembly	QUANTITY PER CAR:	
DATE 25/03/2010		01	
APPROVED ML	SCALE 1:3	A3	SHEET 1 OF 2
	DRG. NO. G40 - X0037	REV. -	

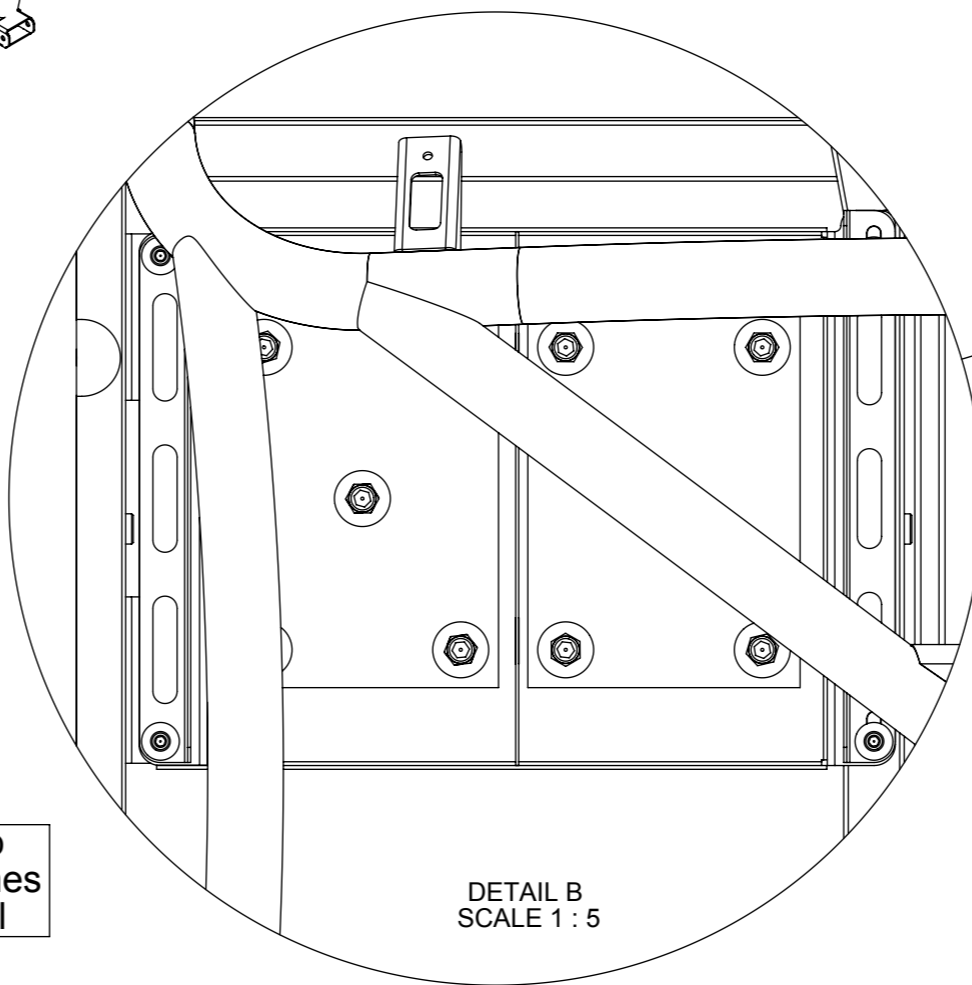
Ginetta Cars, Unit 2, Helios 47, 1 Isabella Road, Garforth, West Yorkshire, England LS25 2DY.
Tel: 44 (0)1909 515 116 Fax: 44 (0)1909 515 699 www.Ginettacars.com

REV.	MODIFICATION	DRAWN	CHECKED	DATE



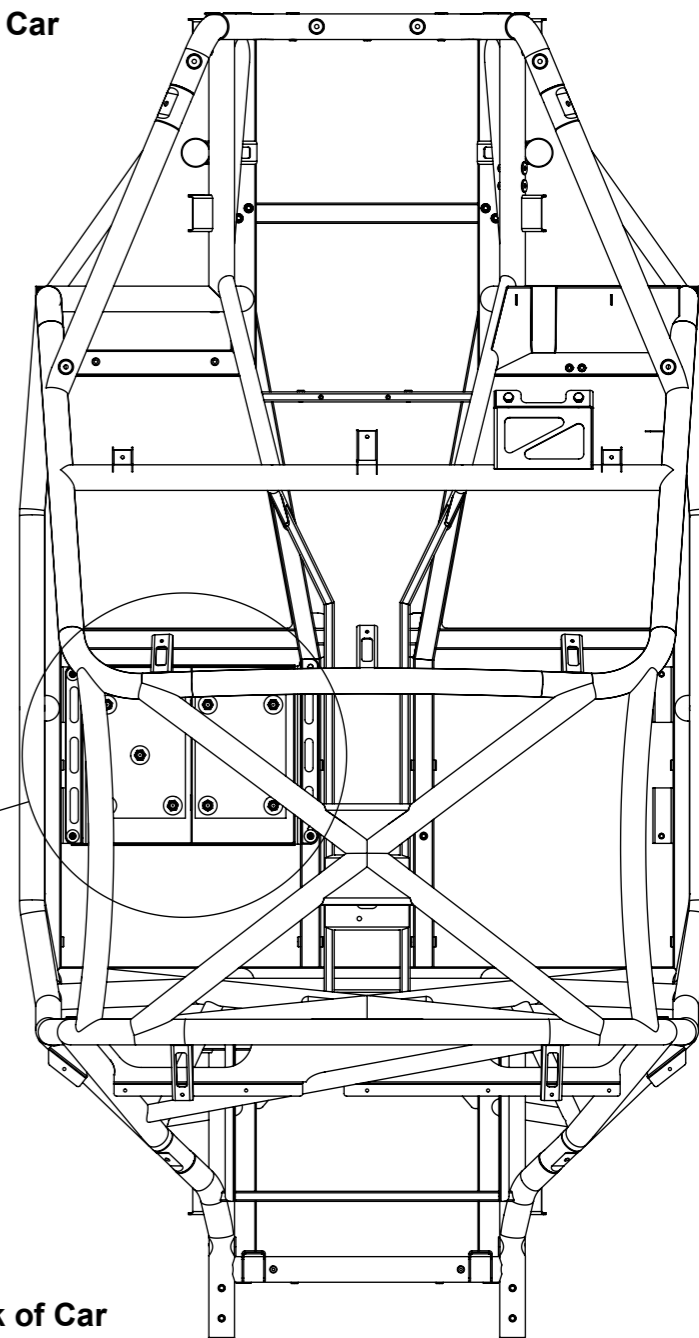
DETAIL A
SCALE 1 : 10

Ballast tray mounts to
4No M8 chassis bushes
in passenger foot well



DETAIL B
SCALE 1 : 5

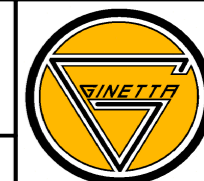
Front of Car



Back of Car

WEIGHT(g)		MATERIAL		COPYRIGHT NOTE	
		N/A		THIS DRAWING AND INFORMATION IS THE PROPERTY OF LNT AUTOMOTIVE AND MUST NOT BE REPRODUCED, USED FOR MANUFACTURE OR DISCLOSED TO A THIRD PARTY WITHOUT WRITTEN CONSENT.	
TOLERANCE : UNLESS STATED		FINISH		PROJECTION	
LINEAR ±0.1mm ANGULAR ±0.5°		N/A		THIRD ANGLE	
DRAWN AS		REMOVE ALL BURRS AND SHARP EDGES		DO NOT SCALE IF IN DOUBT ASK ALL DIMENSIONS IN MILLIMETRES	
DATE 25/03/2010		DESCRIPTION		QUANTITY PER CAR:	
APPROVED ML		G40 - X0037 - Ballast Tray Full Assembly		01	
SCALE 1:15		A3		SHEET 2 OF 2	
		DRG. NO. G40 - X0037		REV.	

Ginetta Cars, Unit 2, Helios 47, 1 Isabella Road, Garforth, West Yorkshire, England LS25 2DY.
Tel: 44 (0)1909 515 116 Fax: 44 (0)1909 515 699 www.Ginettacars.com



LNT automotive

Part #: X0039
Ginetta G50 Fire Extinguisher
Assembly: G50R0008



SAFETY CAGE CERTIFICATE

In compliance with FIA Homologation Regulations for Safety Cages

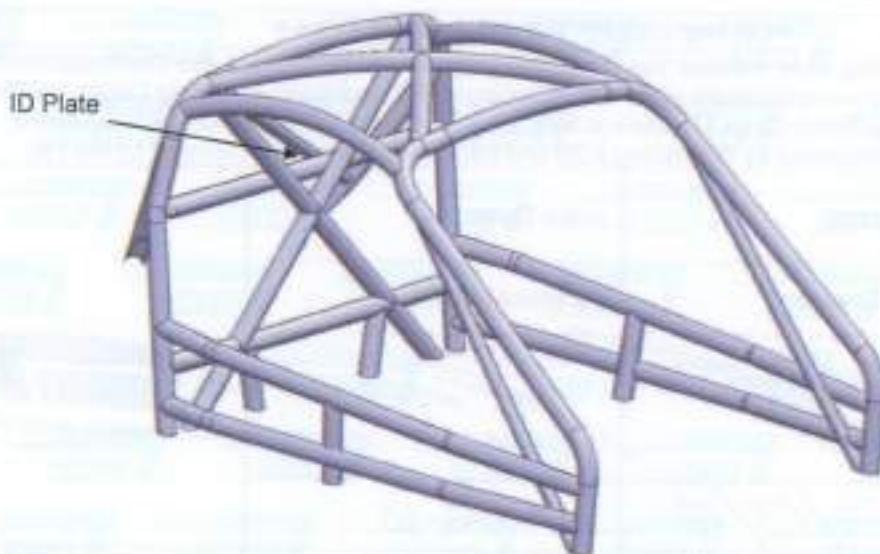
This Certificate is valid only for the Safety Cage bearing the Serial Number shown on Page 6 of 6

Safety Cage Manufacturer	<u>Ginetta Cars</u>
Address	<u>Helios 47</u> <u>Garforth</u> <u>Leeds</u>
Phone n° + email	<u>08452 105050 enquiries@ginetta.com</u>

The structure shown on this form is manufactured for the following vehicle:

Make	<u>Ginetta</u>	Model	<u>G40</u>	Year/Model Identifier	<u>G40</u>
Vehicle Homologation Number(s)* *if applicable	_____		Maximum Weight of Vehicle	<u>850</u>	kg

Drawing of front ¾ view of the Complete Structure showing the location of the identification plate



It is accepted by all parties and entities concerned with this document and its content that, in the last resort, the FIA holds full authority to testify to the regulatory validity of this certificate in case of difficulties regarding the application or interpretation of the rules and/or requirements referred to above

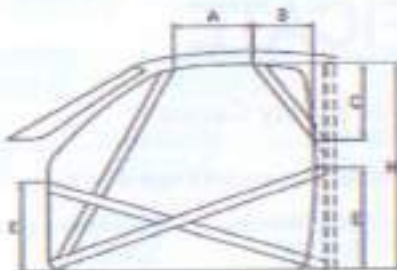


MOTOR SPORTS ASSOCIATION
UNITED KINGDOM

MSA CERTIFICATE NUMBER:

09/2278

DETAILS OF STRUCTURE



A = N/A mm B = N/A mm
 C = N/A mm E = 348 mm
 H = 865 mm
 (highest figure only)

Show location of each type on drawing

All Dimensions
± 0.1mm

	Main Rollbar	Front/Lateral Rollbar	Backstays	Main Rollbar Diagonal members
External Diameter	<u>50.8</u> mm	<u>50.8</u> mm	<u>50.8</u> mm	<u>50.8</u> mm
Wall Thickness	<u>2</u> mm	<u>2</u> mm	<u>2</u> mm	<u>1.6</u> mm
Method of attachment to Body Shell	<u>Mechanical Fasteners</u>			
Weight of Safety Cage, inc. fastenings	<u>140</u> kg			

This document is valid only if fully completed and issued as a validated original document by the Motor Sports Association United Kingdom (The issuing ASN).

It must be presented, in full, on demand to FIA or ASN delegates or Technical Scrutineers of the Meeting (Event). The authorisation of this form by the issuing ASN certifies that the structure shown herein complies with the basic strength and configuration requirements of the FIA Homologation Regulations for Safety Cages.

It does not certify that the structure complies with the requirements of any particular event or technical regulations. This certificate becomes invalid if the structure is modified in any way from the design shown herein.

FOR THE USE OF THE ISSUING ASN ONLY

The issuing ASN, having been satisfied that the Safety Cage design identified in this Certificate has been demonstrated to meet the requirements of the FIA Homologation Regulations for Safety Cages, certifies that the design of the Safety Cage Structure is valid for use, subject to the restrictions listed below, in all events sanctioned by the issuing ASN and International events sanctioned by the FIA.

Name of Authorising Officers	John Symes	John Ryan	
Position	Technical Director	Technical Executive	
Signed			
Date	<u>04/03/10</u>	<u>04.03.10</u>	

Remarks/Restrictions (For the use of the issuing ASN only)



MSA CERTIFICATE NUMBER :

09/2278

MOTOR SPORTS ASSOCIATION
UNITED KINGDOM

PHOTO 1
FRONT ¾ VIEW OF CAGE



PHOTO 2
REAR ¾ VIEW OF CAGE



PHOTO 3
VIEW FROM SIDE OF CAR



PHOTO 4
MAIN ROLLBAR TO FLOOR ATTACHMENT



PHOTO 5
REAR BACKSTAY TO BODY ATTACHMENT



PHOTO 6
FRONT ROLLBAR TO FLOOR ATTACHMENT



PHOTO 7
FRONT ROLLBAR ATTACHMENT TO "A" PILLAR



PHOTO 8
MAIN ROLLBAR ATTACHMENT TO "B" PILLAR



PHOTO 9
ATTACHMENT TO FRONT SUSPENSION



PHOTO 10
DRIVER'S DOOR ANTI-INTRUSION DOORBAR



PHOTO 11
LOCATION OF IDENTIFICATION PLATE



PHOTO 12
DETAIL OF IDENTIFICATION PLATE



PHOTO 13
SHOULDER HARNESS ATTACHMENT – DRIVER



PHOTO 14
SHOULDER HARNESS ATTACHMENT – CO-DRIVER



PHOTO 15
OTHER DETAILS OF CAGE



PHOTO 16
OTHER DETAILS OF CAGE



PHOTO 17
OTHER DETAILS OF CAGE



PHOTO 18
OTHER DETAILS OF CAGE





MOTOR SPORTS ASSOCIATION
UNITED KINGDOM

MSA CERTIFICATE NUMBER:

09/2278

V.I.N. or Chassis Identification Number	<u>G40 - LT -</u>
Roll Cage Serial Number	<u>G40 - LT -</u>

MANUFACTURER'S DECLARATION AND DETAILS:

I declare that the Safety Cage Structure described on this form and fitted to the vehicle described above:

- was constructed and installed in accordance with the specifications and design shown herein.
- has been manufactured so that all aspects of the Safety Cage design, including configuration and strength requirements and welded and demountable joints and mountings, will be in conformity with the requirements of the FIA Homologation Regulations for Safety Cages.
- has been identified by an engraved plate bearing the name or logo of the manufacturer, the ASN Certificate number and a unique manufacturer's serial number.

Manufacturer's Name	<u>Ginetta Cars</u>	
Address	<u>Helios 47</u> <u>Garforth</u> <u>Leeds</u>	
Phone n° + Email	<u>08452 105050</u> <u>enquiries@ginetta.com</u>	
Signature:		
Name of Signatory:	<u>Daniel Martin</u>	

MANUFACTURER'S AGENT: (For Safety Cages installed by an Agent)

The following Agent is authorised to act on the manufacturer's behalf to install this Safety Cage design.

Agent's Name	_____
Address	_____ _____ _____
Phone n° + Email	_____

Instructions to the installer of the Safety Cage

The ASN may list here any instructions it wishes to be followed for the processing of the certificate