



Original DeTomaso Pantera Parts

DETOMASO PANTERA PARTS AND ACCESSORIES

INFORMATION SECTION

This catalog contains all of the replacement parts and accessories available from DeTomaso Modena S.p.A. for the 1971 Pantera to the present 1985 model GT5-S. All body, chassis, soft trim and factory personal accessories are included.

Engine external parts manufactured directly by DeTomaso are included. All 351-C Ford engine parts are not shown in this catalog.

TEXT

CHASSIS SECTION

The chassis section is designed to start at a group of related parts and continue through that group by sections. For example, the suspension consists of wheels, hubs and brakes (front), followed by wheels, hubs and brakes (rear). The next sections contain the remaining parts of the suspension; brakes, park brake and complete suspension text.

BODY SECTION

The body section follows the same type of pattern. First, all body parts external followed by internal parts from front to rear. The next area of the body section is devoted to the doors (external), doors (internal), then the remaining body parts, shields, accessories, bumpers, etc.

SOFT TRIM

This section contains all interior trim parts, and components of the vehicle that are installed by the factory. This includes tools, jack, spare tire, owner's manuals and service tools.

FACTORY ACCESSORIES

This group is designed to show the factory personal accessories such as patches, umbrellas, key chains, model cars including all of the unique gauges, switches, lenses, etc. In addition, the major performance accessories (brake kits, sway bars, engine accessories) are illustrated.

ILLUSTRATIONS

All illustrations are directly across from the text. Illustration numbers all coincide with the part description in the text.

CATALOG MODEL DESCRIPTIONS

This catalog covers many different Pantera models. The difference in the parts for the various types is determined by the text. The text is designed to allow one to differentiate the parts through simple terms.

EXAMPLE

Section 1, Illustration 1; Part needed is a lug nut. According to the illustration the number for the lug nut is #26. In the text one discovers that there are, in fact, 3 types of lug nuts:

- Type 1 Lug Nut (Chrome)
- Type 2 Lug Nut (with Factory "T")
- Type 3 Lug Nut (Black)

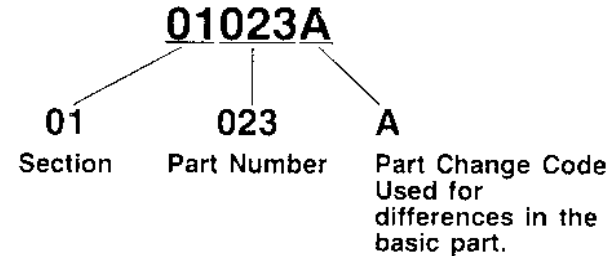
From this sample you can determine which of the above applies to your car.

PART NUMBERS

The part number has been designed to simplify parts ordering. All numbers are divided into the section, part number and part change letter.

EXAMPLE

The part number for the lug nut is designed as follows:



| | |
|-------------------------|--------|
| Lug Nut (Chrome) | 01023A |
| Lug Nut (w/Factory "T") | 01023B |
| Lug Nut (Black) | 01023C |

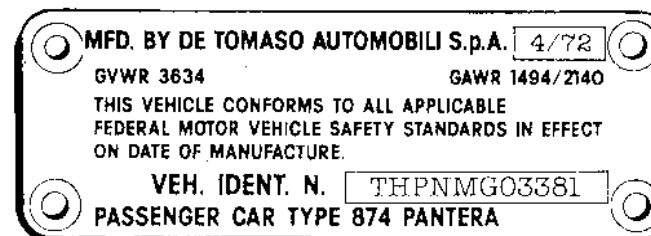
USEFUL INFORMATION

Pantera automobiles have been classified by year and model design. 1971-1974 Production Years are determined by serial number groups. 1975-1985 Production Years are determined by DeTomaso factory production. The following charts are useful in determining your vehicle origin.

| Serial Number | Year | Description |
|---------------|-----------|---|
| Before #2293 | 1971 | Small bumpers, square type |
| 2293-4268 | 1972 | Small bumpers, round type |
| 4269-4839 | 1972½ | Rubber 1 piece front bumper, early dash |
| 4840-5899 | 1973 | Rubber 1 piece front bumper, early dash |
| 5900-7380 | 1974 | Rubber bumper, late dash |
| 7381-8999 | 1975-1980 | Various differences* |
| 9000-9149 | 1980 | Complete chassis revision |
| 9150-9374 | May, 1980 | GT5 Pantera (fiberglass flares) |
| 9375 | Nov, 1984 | GT5-S (all steel Pantera) |

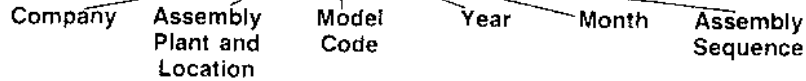
*Information available from factory/through your dealer by chassis number

I.D. PLATE ON L. REAR ¼ POST



SERIAL NUMBER

THPNMG03381



T = DeTomaso **M** = 1972 (L = 1971, N = 1973, P = 1974)
H = Modena Italy **G** = April
PN = Pantera **O3381** = 3381th Unit Built

Valid to Chassis Number 7380

MONTH CODES

| Month Code | 1971 Calendar Code L | 1972 Calendar Code M | 1973 Calendar Code N | 1974 Calendar Code P |
|------------|----------------------|----------------------|----------------------|----------------------|
| A | | March | July | |
| B | | January | May | |
| C | January | May | September | September |
| D | March | July | November | November |
| E | April | August | December | December |
| G | | April | August | |
| H | | | | June |
| J | September | | January | May |
| K | February | June | October | October |
| L | May | September | | January |
| M | November | | March | July |
| P | December | | April | August |
| R | | February | June | |
| S | July | November | | March |
| T | August | December | | April |
| U | October | | February | |
| Y | June | October | | February |

MAJOR CHANGES IN PRODUCTION

From Serial Number 9000 a major production change was established. All chassis under body components are different in the catalogue text. These parts are referred to as (After #9000).

Serial Number 9150—First GT5 Pantera (1980)

Serial Number 9375—First GT5-S Pantera (1984)

All additional parts changes noted by serial number.

EXTERIOR PAINT CODES

The charts below list the paint codes for 1971/74 Panteras

1971

| CODE | COLOR | SUPPLIERS (FIELD FORMULA) | | | | | | |
|------|-------------------|---------------------------|---------|------------|---------------|--------------|---------|------------------|
| | | ACME | Ditzler | Du Pont | Martin-Senour | Rinsch Mason | Rogers | Sherwin-Williams |
| V108 | Red | 3-91032 | 71947 | 38800L | 99-21488 | PT007 | 8-91032 | J5-4682 |
| V109 | Bronze Metallic | 3-91001 | 23652 | 38801L | 99-21492 | PT002 | 8-91009 | J5-4685 |
| V204 | White | 3-90998 | 8896 | 38802L | 99-21487 | PT006 | 8-90998 | J5-4680 |
| V305 | Medium Green | 3-91035 | 44533 | 38803L | 99-21489 | PT003 | 8-91035 | J5-4684 |
| V306 | Aqua Green Metal. | 3-91002 | 44534 | Not avail. | 99-21715 | Not avail. | 8-91002 | J5-5611 |
| V307 | Light Blue | 3-91034 | 44535 | 38805L | 99-21490 | PT008 | 8-91034 | J5-4681 |
| V406 | Medium Blue | 3-90999 | 14314 | 38806L | 99-21486 | PT001 | 8-90999 | J5-4683 |
| V502 | Yellow | 3-91033 | 81945 | 38807L | 99-21485 | PT004 | 8-91033 | J5-4678 |
| V503 | Beige Metallic | 3-91000 | 23651 | Not avail. | 99-21716 | PT005 | 8-91000 | J5-5612 |
| V613 | Silver Metallic | 3-91031 | 8926 | Not avail. | 99-21491 | Not avail. | 8-91031 | J5-4679 |

1972/74

| CODE | COLOR | SUPPLIERS (FIELD FORMULA) | | | | |
|------|-------------------|---------------------------|---------|------------|------------|--|
| | | Ditzler | Du Pont | Glidden | Italver | |
| | Blue | 14622 | 43167 | 169 A 24 | 8039493 | |
| | Green | 44845 | 43168 | 169 G 25 | Not avail. | |
| | Orange | 60726 | 43166 | 169 R 23 | 8039495 | |
| | Red (exc. GTS) | 72049 | 38800 | 169 R 6 | Not avail. | |
| | Dark Red (GTS) | 72121 | 43750 | 166 R 83 | Not avail. | |
| | Silver (exc. GTS) | 33089 | 38809 | ●167 E 5 | Not avail. | |
| | | | | ○167 E 2 | Not avail. | |
| | Silver (GTS) | 8951 | 43748 | ■196 E 15 | Not avail. | |
| | | | | □196 T 1 | | |
| | White | 0866 | 38802 | 168 W 1 | 2421841 | |
| | Yellow (exc. GTS) | 82110 | 38807 | Not avail. | 2409082 | |
| | Yellow Gold (GTS) | 82208 | 43749 | Not avail. | 2469103 | |
| | Black (GTS) | 33199 | | | | |

● 1972 ○ 1973 ■ Silver □ Clear

Paint color information from chassis number 7380 is available from the factory by special order. Your dealer will supply this information by request.

SOFT TRIM CODES

DeTomaso Pantera automobiles with leather interiors from 1980 with serial number 9000 and above use the following color codes:

INTERIOR LEATHER

- A-White F-Burgundy
- B-Cream G-Blue
- C-Beige H-Black
- D-Saddle I-Gray
- E-Brown

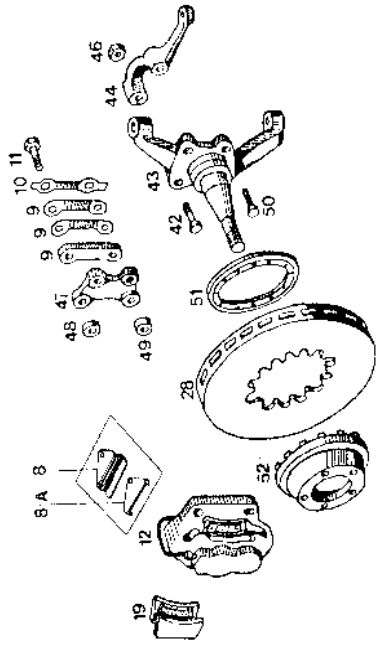
CARPET

- A-Black
- B-Blue
- C-Brown
- D-Red

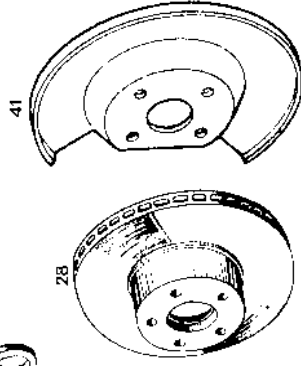
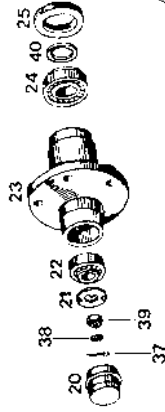
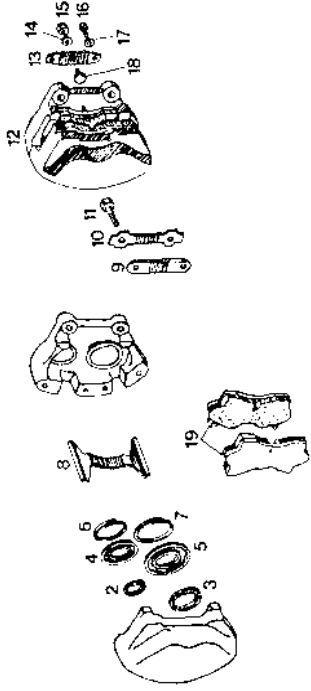


Original DeTomaso Pantera Parts

SECTION 1 ILLUSTRATION 1

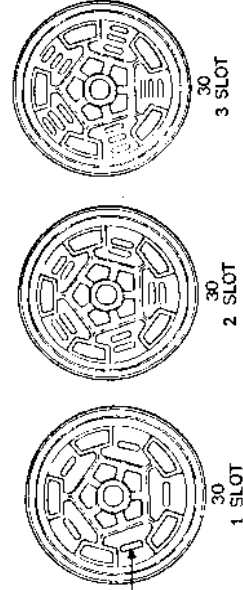
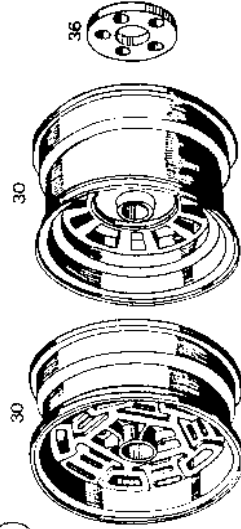
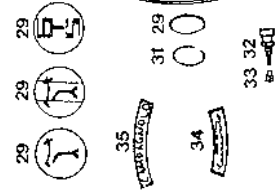


GT4 & 5 BRAKE SYSTEM AND RELATED PARTS



1ST SERIES

2ND SERIES



POSITION A

SECTION 1 ILLUSTRATION 1

Original DeTomaso Pantera Parts

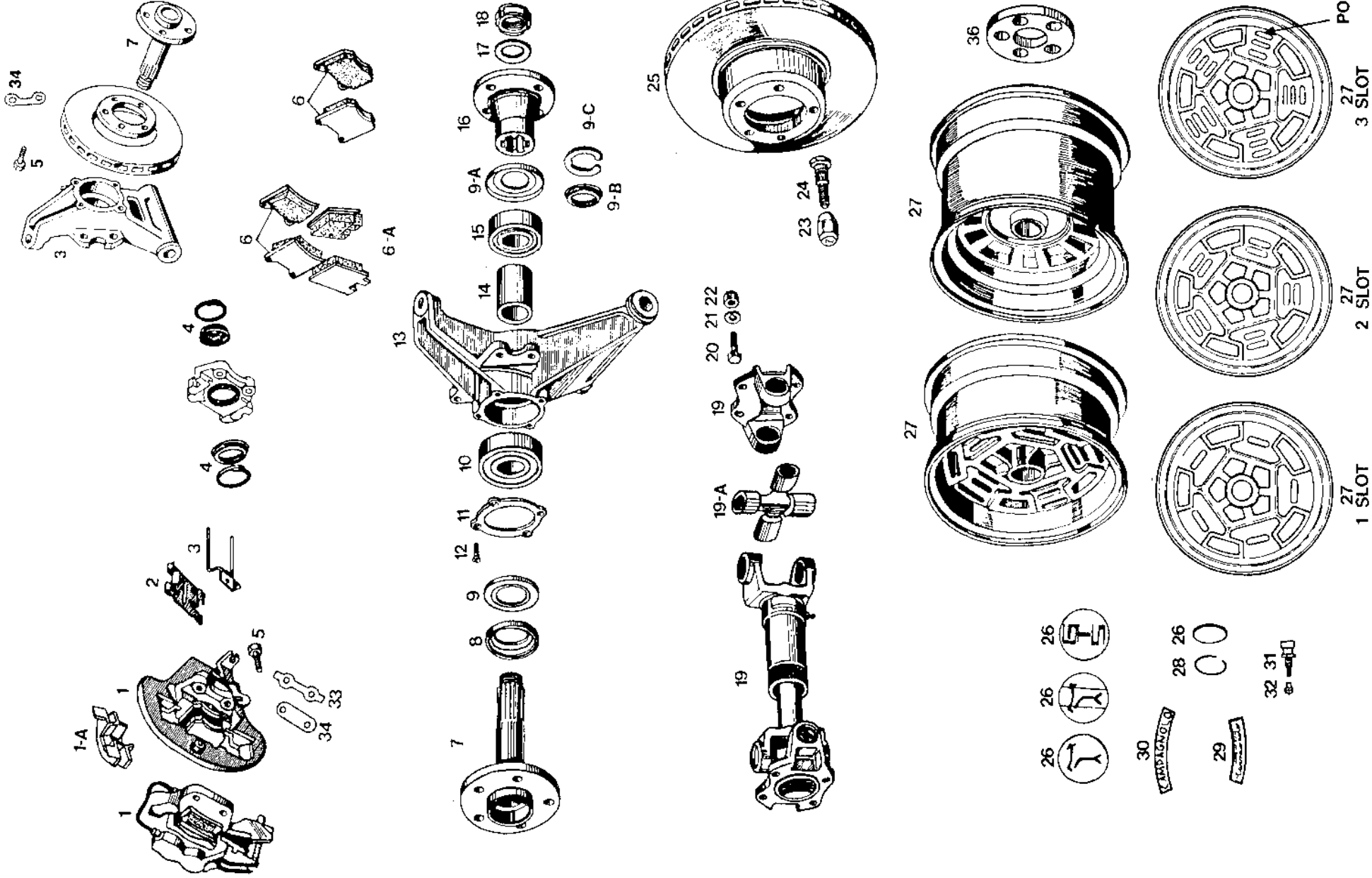


| ILLUSTRATION # | DESCRIPTION | PART # |
|----------------|---|--------|
| 2-7 | Caliper Rebuild Kit 1971 - Stock Brakes 4 Piston Caliper | 01001A |
| 2-7 | Caliper Rebuild Kit GT5 Brakes 3 Piston Caliper | 01001B |
| 8 | Spring Brake Pad Anti-Rattle | 01002A |
| 8 | Spring Brake Pad Anti-Rattle GT5 | 01002B |
| 8A | Retainer Front Brake Pads GT5 | 01047A |
| 9 | Spacer Shim Caliper to Spindle | 01003A |
| 9 | Spacer Shim Caliper to Spindle GT5 0.5mm | 01003B |
| 9 | Spacer Shim Caliper to Spindle GT5 1mm | 01003C |
| 9 | Spacer Caliper Holder to Caliper GT5 | 01042A |
| 10 | Retainer Front Caliper Lock Tab | 01004A |
| 10 | Retainer Front Caliper Lock Tab GT5 | 01004B |
| 11 | Bolt (Caliper to Spindle) M12 x 1.25 x 35 | 01005A |
| 11 | Bolt Caliper to Bracket GT5 7/16-20 x 1 5/8 | 01005B |
| 12 | Caliper Assembly 4 Piston Front RH | 01006A |
| 12 | Caliper Assembly 4 Piston Front LH | 01007A |
| 12 | Caliper Assembly RH GT5 3 Piston | 01006B |
| 12 | Caliper Assembly LH GT5 3 Piston | 01007B |
| 13 | Bracket Brake Line Attaching | 01008A |
| 14 | Washer - M8 | 01009A |
| 15 | Nut - M8 x 1.25 ELN | 01010A |
| 16 | Bolt - M6 x 1.0 x 10 | 01011A |
| 17 | Washer - M6 Lock Washer | 01012A |
| 18 | Bolt - M8 x 1.25 x 15 | 01013A |
| 19 | Brake Pad Set 4 Pieces | 01014A |
| 19 | Brake Pad Set 4 Pieces GT5 | 01014B |
| 20 | Cap Front Hub Dust | 01015A |
| 21 | Washer Spindle Nut | 01016A |
| 22 | Bearing Outer Cone & Roller | 01017A |
| 22 | Bearing Outer Race | 01018A |
| 23 | Hub Front Wheel | 01019A |
| 24 | Bearing Inner Cone & Roller | 01020A |
| 24 | Bearing Inner Race | 01021A |
| 25 | Seal Front Hub Grease | 01022A |
| 26 | Lug Nut Chrome | 01023A |
| 26 | Lug Nut w/Factory T | 01023B |
| 26 | Lug Nut Black | 01023C |
| 27 | Stud Front & Rear 2-7/32" Length | 01024A |
| 27 | Stud Front & Rear GT5 2-13/16" Length | 01024B |
| 28 | Rotor Front (Nonvented) | 01025A |
| 28 | Rotor Front (Vented) | 01025B |
| 28 | Rotor Front Vented GT5 | 01025C |
| 29 | Wheel Center Emblem Blue with White Crest | 01026A |
| 29 | Wheel Center Emblem GTS Black | 01026B |
| 29 | Wheel Center Emblem Black Plastic with Raised "T" | 01026C |
| 30 | Wheel Front 7" w/1 Slot in Position A | 01027A |
| 30 | Wheel Front 7" w/2 Slots in Position A | 01027B |
| 30 | Wheel Front 7" w/3 Slots in Position A | 01027C |
| 30 | Wheel Front 10" GT4 & 5 Spoke Type | 01027D |
| 31 | Retainer Wheel Center Emblem | 01028A |
| 32 | Valve Stem w/Cap Aluminum | 01029A |
| 33 | Cap Valve Stem Knurled | 01029B |
| 34 | Wheel Decal Campagnolo Gold | 01030A |
| 35 | Wheel Decal Campagnolo Black | 01030B |
| 36 | Spacer Front & Rear Wheel GT4 & 5 | 01031A |
| 37 | Cotter Pin 1/8" x 1-1/2" | 01032A |
| 38 | Nut Micro Lock | 01033A |
| 39 | Spindle Nut RH Crimp Style | 01034A |
| 39 | Spindle Nut LH Crimp Style | 01034B |
| 39 | Spindle Nut RH Used w/#37 & 38 | 01034C |
| 39 | Spindle Nut LH Used w/#37 & 38 | 01034D |
| 40 | Shield Wheel Bearing Inner | 01035A |
| 41 | Shield Front Brake Splash | 01036A |
| 42 | Bolt Front Spindle Arm - No Hex Head M10 x 1.0 x 50 | 01037A |
| 42 | Bolt Front Spindle Arm - w/ Hex Head M10 x 1.5 x 50 | 01037B |
| 42 | Bolt Spindle Arm to Spindle GT5 Allen Head M12 x 1.25 x 50 | 01005C |
| 43 | Spindle Shaft RH R/B 2nd Series | 01038A |
| 43 | Spindle Shaft LH R/B 2nd Series | 01038B |
| 43 | Spindle R&LH 2nd Series Drilled | 01038C |
| 43 | Spindle GT5 R&LH | 01038D |
| 44 | Support Spindle RH R/B 2nd Series | 01039A |
| 44 | Support Spindle LH R/B 2nd Series | 01039B |
| 44 | Spindle Arm RH | 01039C |
| 44 | Spindle Arm LH | 01039D |
| 44 | Spindle Arm RH GT5 | 01039E |
| 44 | Spindle Arm LH GT5 | 01039F |
| 45 | Washer (Spring Type 10mm) | 01040A |
| 46 | Nut Spindle Arm M10 x 1.0 for 01037A | 01041A |
| 46 | Nut Spindle Arm Bolt M10 x 1.5 ELN for 01037B | 01041B |
| 46 | Nut Spindle Arm Bolt GT5 M12 x 1.25 ELN | 01041C |
| 47 | Caliper Holder GT5 | 01043A |
| 48 | Spacer Caliper Holder to Spindle GT5 9/32" | 01044A |
| 49 | Spacer Caliper Holder to Spindle GT5 1/2" | 01044B |
| 50 | Bolt Caliper Holder to Spindle GT5 Hex Head M12 x 1.25 x 50 | 01005D |
| 51 | Retainer Ring Rotor to Housing GT5 | 01045A |
| 52 | Housing Front Rotor GT5 | 01046A |



Original DeTomaso Pantera Parts

SECTION 1 ILLUSTRATION 2



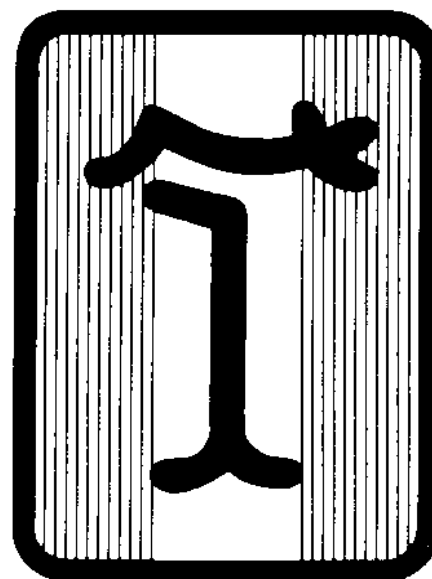
SECTION 1 ILLUSTRATION 2

| ILLUSTRATION # | DESCRIPTION | PART # |
|----------------|---|--------|
| 1A | Caliper Guide (Nylon) | 01006D |
| 1 | Caliper Assembly RH Single Piston | 01006C |
| 1 | Caliper Assembly RH 3 Piston GT5 | 01006E |
| 1 | Caliper Assembly LH Single Piston | 01007C |
| 1 | Caliper Assembly LH 3 Piston GT5 | 01007D |
| 2 | Spring Clip Brake Pad Anti-Rattle | 01002B |
| 3 | Retainer Rear Brake Lining | 01048A |
| 3 | Retainer Pin GT5 Rear Pads | 01048B |
| 4 | Caliper Rebuild Kit w/o Piston Single Piston | 01001C |
| 4 | Caliper Rebuild Kit w/o Piston GT5 | 01001D |
| 4 | Caliper Rebuild Kit w/Piston RH Single Piston | 01001E |
| 4 | Caliper Rebuild Kit w/Piston LH Single Piston | 01001F |
| 5 | Bolt Caliper to Upright M10 x 1.5 x 35m | 01005E |
| 5 | Bolt Caliper to Upright GT5 Allenhead M12 x 1.25 x 35 | 01005B |
| 6 | Brake Pad Set Single Piston | 01014C |
| 6 | Brake Pad Set 3 Piston GT5 | 01014D |
| 6A | Brake Pad Set Park Brake GT5 | 01014E |
| 7 | Rear Axle Shaft RH Stamped "D" | 01200A |
| 7 | Rear Axle Shaft RH GT5 | 01200B |
| 7 | Rear Axle Shaft LH Stamped "S" | 01201A |
| 7 | Rear Axle Shaft LH GT5 | 01201B |
| 8 | Spacer Axle Shaft Outer | 01202A |
| 8 | Spacer Axle Shaft Outer GT5 | 01202B |
| 9 | Shield Outer Bearing | 01203A |
| 9A | Shield Inner Bearing | 01203B |
| 9B | Shield (Seal Inner Bearing GT5) | 01203C |
| 9C | Snap Ring GT5 Hub Carrier (Inner Bearing) | 01203D |
| 10 | Bearing Assembly Outer | 01204A |
| 10 | Bearing Assembly Outer GT5 | 01204B |
| 11 | Retainer Wheel Bearing Outer | 01205A |
| 11 | Retainer Wheel Bearing Outer GT5 | 01205B |
| 12 | Screw Retainer to Hub M6 x 16 | 01206A |
| 13 | Hub Carrier | 01207A |
| 13 | Hub Carrier GT5 RH | 01207B |
| 13 | Hub Carrier GT5 LH | 01207C |
| 14 | Spacer Rear Axle Shaft Inner | 01208A |
| 14 | Spacer Rear Axle Shaft Inner GT5 | 01208B |
| 15 | Bearing Assembly Inner | 01209A |
| 15 | Bearing Assembly Inner GT5 | 01209B |
| 16 | Flange Rear Axle Shaft Inner | 01210A |
| 17 | Washer Axle Nut | 01211A |
| 18 | Nut RH Axle | 01212A |
| 18 | Nut LH Axle | 01213A |
| 19 | Drive Shaft w/U Joints | 01214A |
| 19A | U-Joint w/Zerk | 01214B |
| 20 | Bolt Drive Shaft Flange 7/16 x 20 x 1-1/4 | 01215A |
| 21 | Lock Washer M-11 | 01216A |
| 22 | Nut Axle Flange Bolt 7/16 x 20 ELN | 01217A |
| 23 | See Illustration 1 | |
| 24 | See Illustration 1 | |
| 25 | Rotor Rear Non-Vented | 01025D |
| 25 | Rotor Rear Vented | 01025E |

Original DeTomaso Pantera Parts



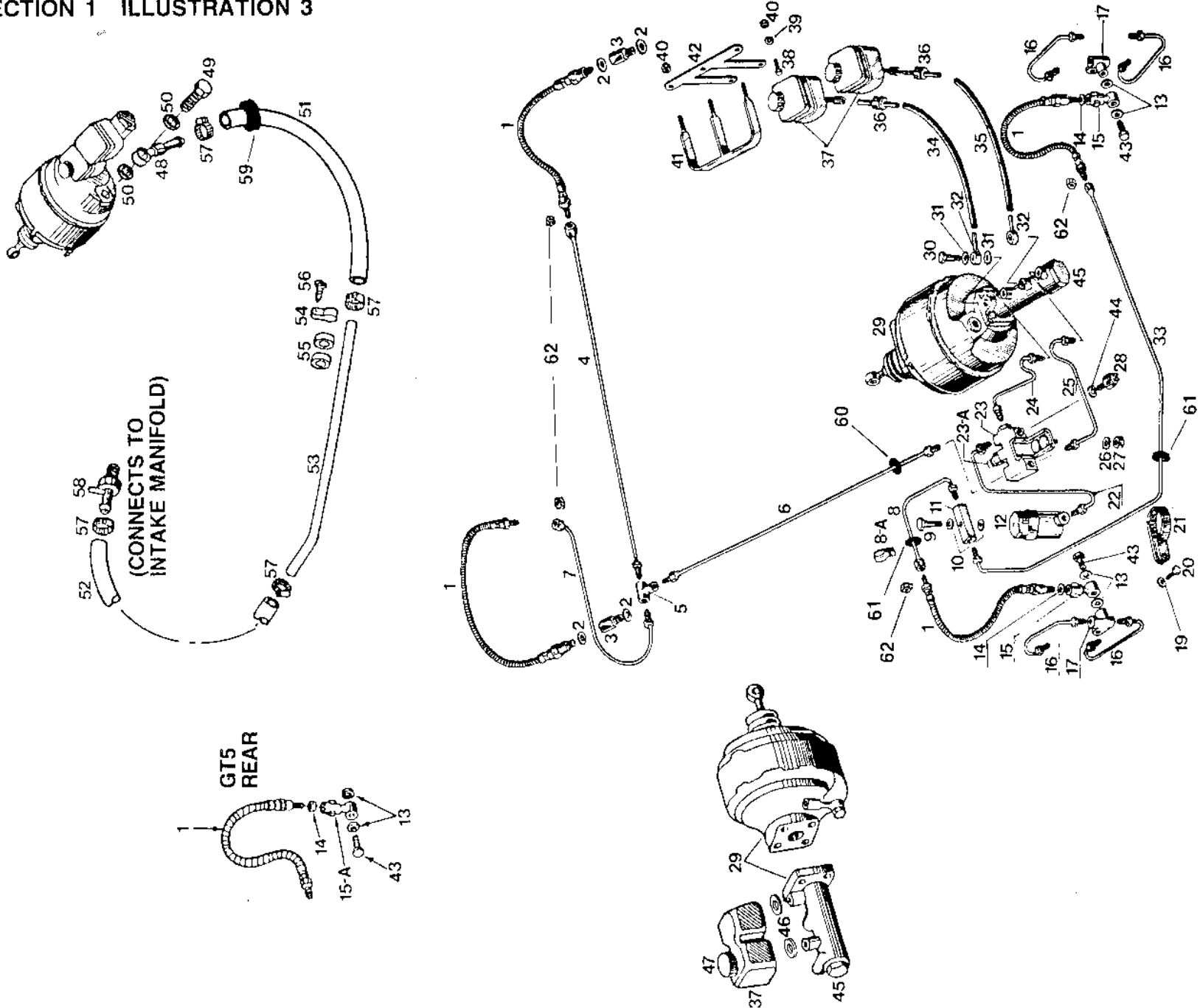
| | | |
|----|--|--------|
| 25 | Rotor Rear Vented GT5 | 01025F |
| 26 | See Illustration 1 | |
| 27 | Wheel Rear 8" 1 Slot in Position A | 01027E |
| 27 | Wheel Rear 8" 2 Slot in Position A | 01027F |
| 27 | Wheel Rear 8" 3 Slot in Position A | 01027G |
| 27 | Wheel 10" GT5 2 Slot in Position A | 01027H |
| 27 | Wheel 13" GT5 Spoke Type | 01027I |
| 28 | Retainer Wheel Center Emblem | 01028A |
| 29 | Wheel Decal Campagnolo Gold | 01030A |
| 30 | Wheel Decal Campagnolo Black | 01030B |
| 31 | Valve Stem w/Cap Aluminum | 01029A |
| 32 | Cap Valve Stem (Knurled) | 01029B |
| 33 | Retainer Rear Caliper Lock Tab | 01004C |
| 33 | Retainer Rear Caliper Lock Tab GT5 | 01004D |
| 34 | Spacer Rear Caliper to Support | 01003D |
| 34 | Spacer Rear Caliper to Support GT5 0.5mm | 01003E |
| 34 | Spacer Rear Caliper to Support GT5 1.0mm | 01003F |
| 34 | Spacer Rear Caliper to Support GT5 5mm | 01003G |





Original DeTomaso Pantera Parts

SECTION 1 ILLUSTRATION 3



SECTION 1 ILLUSTRATION 3

Original DeTomaso Pantera Parts

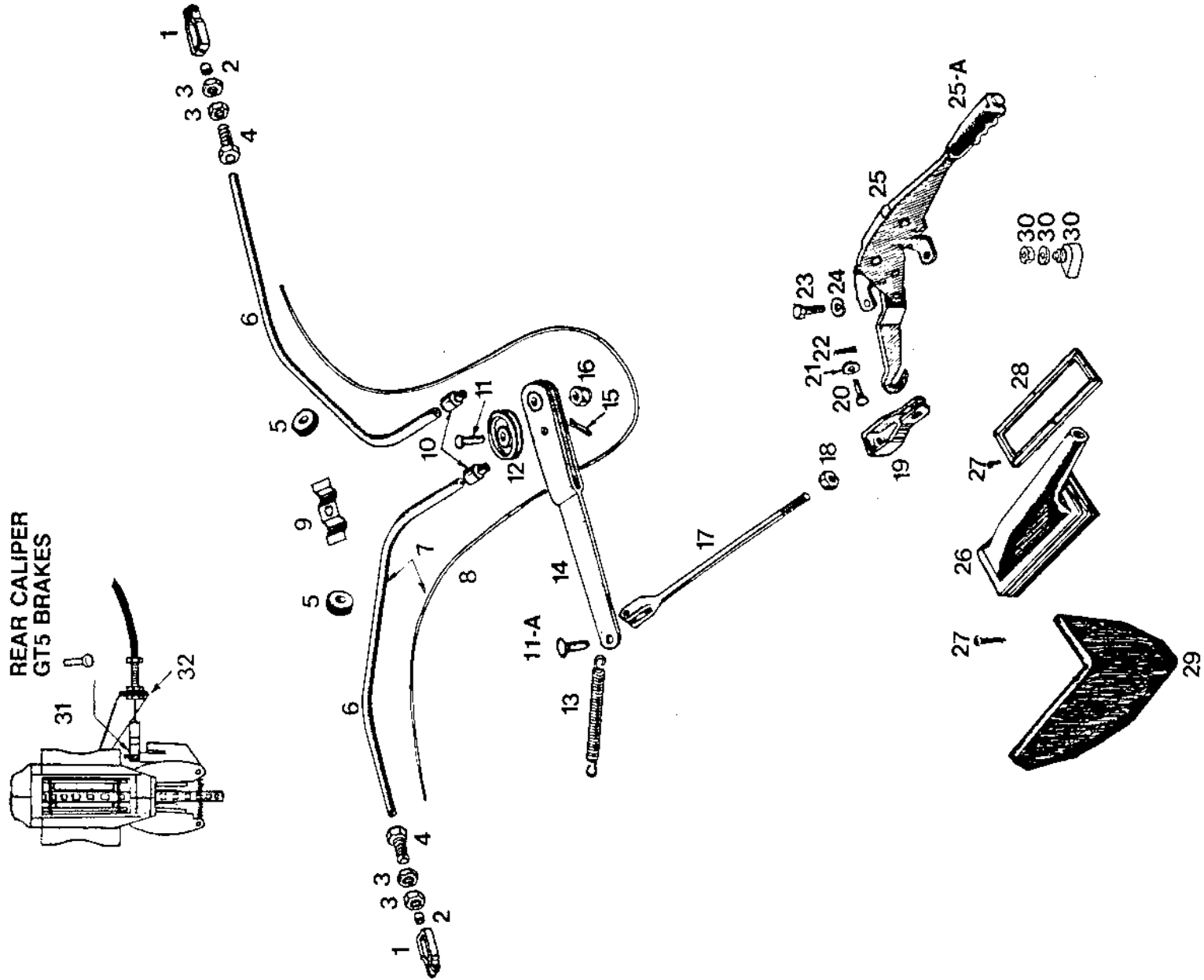


| ILLUSTRATION # | DESCRIPTION | PART # |
|----------------|---|--------|
| 1 | Hose Front & Rear Brakes Rubber | 01300A |
| 1 | Hose Front & Rear Brakes Braided Steel | 01300B |
| 1 | Hose Rear Brakes GT5 w/15A 1 Piece | 01300C |
| 2 | Gasket | 01301A |
| 3 | Fitting Flex Line to Rear Caliper | 01302A |
| 3 | Fitting Flex Line to Rear Caliper GT5 | 01302B |
| 4 | Brake Line ("T" to LR Caliper) | 01303A |
| 5 | Fitting Brake Line "T" Rear | 01304A |
| 6 | Brake Line Differential Valve to "T" Rear | 01305A |
| 6 | Brake Line Differential Valve to Rear "T" (From #9000) | 01305B |
| 7 | Brake Line "T" to R Rear Caliper | 01306A |
| 8 | Brake Line Pressure Control Valve to RF Caliper (Used w/#11) | 01307A |
| 8 | Brake Line Pressure Control Valve to RF Caliper (Used w/2nd Series Valve) | 01307B |
| 8A | Clp Brake Line to Floor | 01307C |
| 9 | Bolt Connector to Valve | 01308A |
| 10 | Gasket | 01301B |
| 11 | Connector Brake Tube Straight | 01309A |
| 12 | Valve Assembly Pressure Control Used with #11 1st Series | 01310A |
| 12 | Valve Assembly Pressure Control 2nd Series | 01310B |
| 12 | Valve Assembly Pressure Control Adjustable | 01310C |
| 13 | Gasket Outer 7/16" ID | 01301B |
| 14 | Gasket Inner 13/32" ID | 01301A |
| 14 | Gasket | 01301A |
| 15 | Fitting Flex Line to Front Caliper | 01302B |
| 15A | Fitting Flex Line to Rear Caliper GT5 | 01302C |
| 16 | Brake Line Front Caliper | 01311A |
| 16 | Brake Line Flex Line to Caliper Front GT5 | 01311B |
| 16 | Brake Line Caliper Transfer GT5 | 01311C |
| 17 | Fitting Caliper "T" | 01304A |
| 19 | Lock Washer 6mm | 01312A |
| 20 | Bolt Valve Bracket M6 x 1 x 25mm | 01313A |
| 21 | Bracket Valve to Fenderwell Used w/#01310A Valve | 01314A |
| 21 | Bracket Valve to Fenderwell Used w/#01310B Valve | 01314B |
| 22 | Brake Line Differential Valve to Pressure Control Valve | 01315A |
| 22 | Brake Line Differential Valve to Pressure Control Valve From #9000 | 01315B |
| 23 | Valve Assembly Brake Pressure Differential | 01316A |
| 23 | Valve Assembly Brake Pressure Differential From #9000 | 01316B |
| 23A | Switch Brake Pressure Differential | 01317A |
| 24 | Brake Line Pressure Differential Valve to Rear Master Cylinder w/Apron MTD Reservoir | 01318A |
| 24 | Brake Line Pressure Differential Valve to Rear Master Cylinder w/Cylinder MTD Reservoir | 01318B |
| 24 | Brake Line Pressure Differential Valve to Rear Master Cylinder w/Cylinder MTD Reservoir From #9000 | 01318C |
| 25 | Brake Line Pressure Differential Valve to Front Master Cylinder w/Apron MTD Reservoir | 01319A |
| 25 | Brake Line Pressure Differential Valve to Front Master Cylinder w/Master Cylinder MTD Reservoir | 01319B |
| 25 | Brake Line Pressure Differential Valve to Front Master Cylinder w/Cylinder MTD Reservoir From #9000 | 01319C |
| 26 | Lock Washer 5/16" | 02014A |
| 27 | Nut 5/16 x 18 | 01320A |
| 28 | Switch Brake Lights | 01321A |
| 29 | Brake Booster w/M Cylinder (Apron Mounted Reservoir 22mm) | 01322A |
| 29 | Brake Booster w/M Cylinder (Cylinder Mounted Reservoir 23mm) | 01322B |
| 29 | Brake Booster w/M Cylinder GT5 (25mm Master Cylinder) | 01322C |
| 30 | Bolt Master Cylinder Inlet Fitting | 01323A |
| 31 | Gasket | 01301C |
| 32 | Fitting Master Cylinder Hose Connection | 01324A |
| 33 | Brake Line Pressure Control Valve to LF Caliper (Used w/#11) | 01325A |
| 33 | Brake Line Pressure Control Valve to LF Caliper (Used w/2nd Series Valve) | 01325B |
| 34 | Hose Reservoir to Master Cylinder Rear | 01326A |
| 35 | Hose Reservoir to Master Cylinder Front | 01326B |
| 36 | Fitting Brake Reservoir | 01327A |
| 37 | Reservoir Apron Mounted | 01328A |
| 37 | Reservoir Master Cylinder Mounted | 01328B |
| 37 | Reservoir Master Cylinder Mounted GT5 | 01328C |
| 38 | Bolt Bracket to Fender Apron 3/8 x 16 x 7/8 | 01329A |
| 39 | Lock Washer 3/8 | 01330A |
| 40 | Nut 3/8" Bracket to Fenderwell | 01331A |
| 40 | Nut 5mm x .90 Bracket to Bracket | 01331B |
| 41 | Bracket Front | 01332A |
| 42 | Bracket Rear | 01332B |
| 43 | Bolt Flex Line Fitting to "T" Front Caliper | 01333A |
| 43 | Bolt Flex Line to Rear Caliper GT5 3 Piston Caliper | 01333A |
| 44 | Gasket Stoplight Switch 7/16" ID | 01301B |
| 45 | Master Cylinder w/Apron MTD Reservoir 22mm | 01334A |
| 45 | Master Cylinder w/Cylinder MTD Reservoir 23mm | 01334B |
| 45 | Master Cylinder w/Cylinder MTD Reservoir 25mm GT5 | 01334C |
| 46 | Seal Reservoir to Master Cylinder | 01335A |
| 47 | Cap Reservoir | 01336A |
| 48 | Check Valve (Brake Booster) | 01337A |
| 49 | Bolt Check Valve to Booster | 01338A |
| 50 | Gasket Check Valve to Booster | 01301D |
| 51 | Hose Booster to Tube 18" | 01339A |
| 52 | Hose Manifold to Tube 5" | 01339B |
| 53 | Tube Brake Booster to Rear (Steel) | 01341A |
| 54 | Clamp Booster Tube to Body | 01341A |
| 55 | Grommet Booster Tube to Body | 01342A |
| 56 | Screw Booster Tube Clamp to Body #8 x 1/2" | 01343A |
| 57 | Clamp Brake Booster Hose | 01344A |
| 58 | Fitting Booster Hose to Manifold | 01345A |
| 59 | Grommet Booster Hose to Body | 01346A |
| 60 | Grommet Brake Line to Body (Front to Rear) | 01347A |
| 61 | Grommet Brake Line to Body (L&R Front) | 01348A |
| 62 | Nut Brake Hose to Body | 01349A |



Original DeTomaso Pantera Parts

SECTION 1 ILLUSTRATION 4

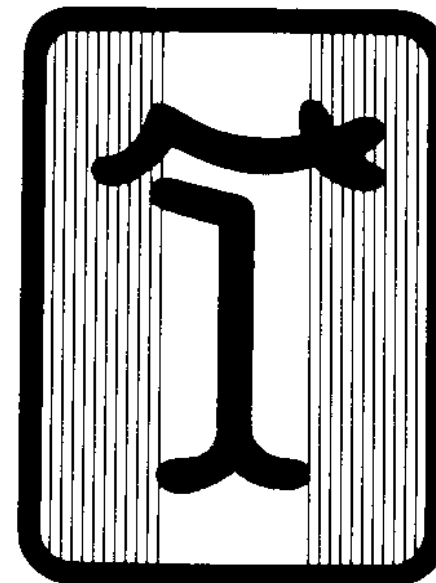


SECTION 1 ILLUSTRATION 4

Original DeTomaso Pantera Parts



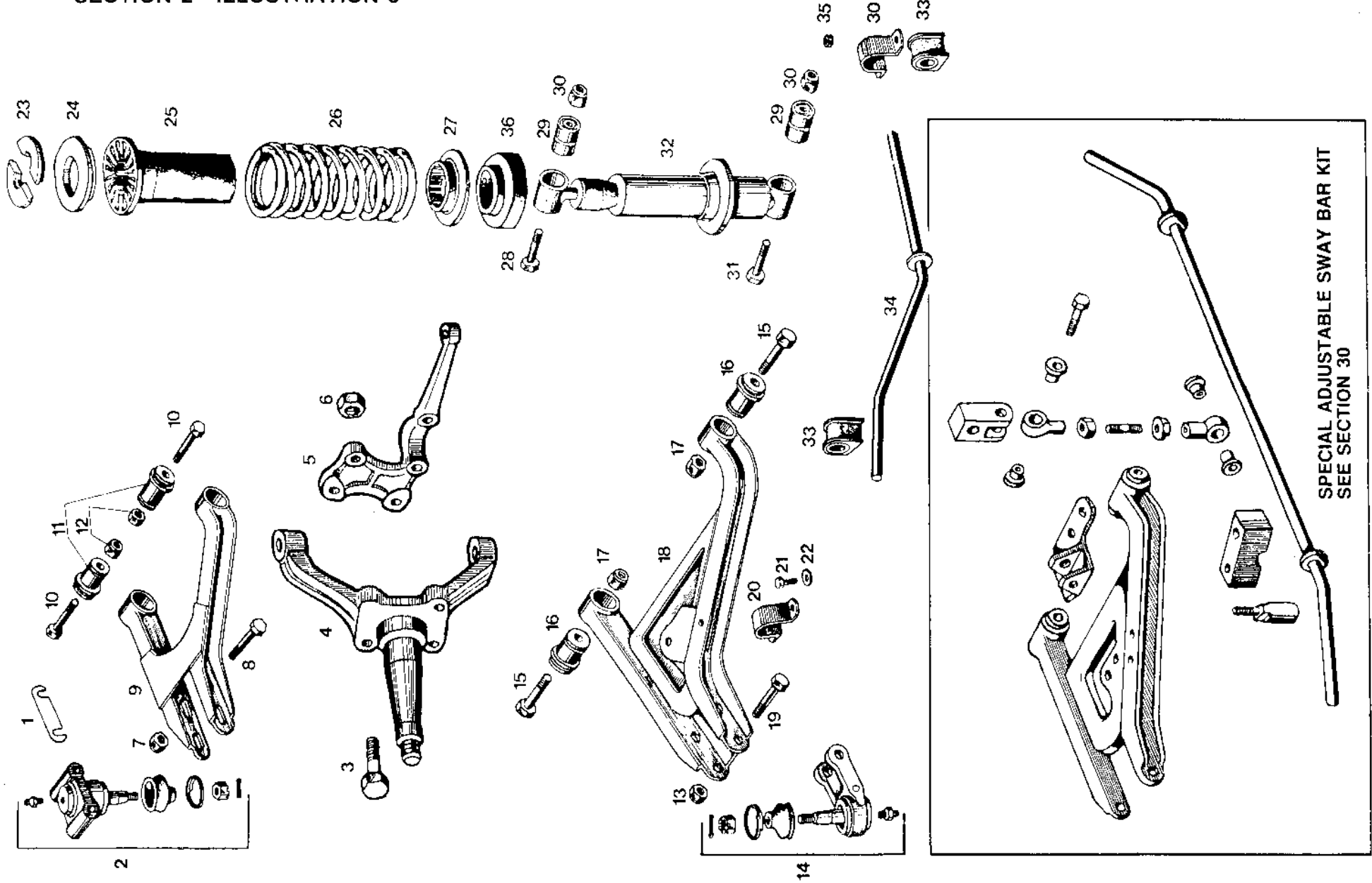
| ILLUSTRATION # | DESCRIPTION | PART # |
|----------------|--|--------|
| 1 | Clevis Park Brake Caliper End | 01400A |
| 1 | Clevis Park Brake Caliper End GT5 | 01400B |
| 2 | Sleeve Park Brake Cable End | 01401A |
| 3 | Nut Park Brake Cable Fitting M10 x 1.5 | 01402A |
| 4 | Fitting Park Brake Cable | 01403A |
| 5 | Grommet Park Brake Cable at Inner Fender | 01404A |
| 6 | Housing Park Brake Cable RH | 01405A |
| 6 | Housing Park Brake Cable LH | 01405B |
| 7 | Cable Assembly Park Brake Complete (Parts #1, 2, 3, 4, 6, 8, 10) | 01406A |
| 7 | Cable Assembly Park Brake Complete Group 3 | 01406B |
| 7 | Cable Assembly park Brake Complete (Parts #1, 2, 3, 4, 6, 8, 10) GT5 From #9170 | 01406C |
| 8 | Cable (Inner) Park Brake (For 01406A Cable Assembly Only) | 01407A |
| 9 | Bracket Park Brake to Transaxle | 01408A |
| 10 | Cable Shield End | 01409A |
| 11 | Pin Park Brake Cable Pulley | 01410A |
| 11A | Pin - Hod to Equalizer | 01410B |
| 12 | Pulley Park Brake Cable | 01411A |
| 13 | Spring Park Brake Lever | 01412A |
| 14 | Lever Park Brake Equalizer | 01413A |
| 14 | Lever Park Brake Equalizer GT5 from #9170 | 01413B |
| 15 | Clip Park Brake Pulley Pin | 01414A |
| 16 | Nut Equalizer Lever to Body M10 x 1.5 ELN | 01037B |
| 17 | Rod Control to Equalizer | 01415A |
| 17 | Rod Control to Equalizer GT5 w/Park Brake on Driver's Side | 01416B |
| 18 | Nut Park Brake Rod Jamb M8 x 1.25 | 01417A |
| 19 | Clevis Park Brake Rod | 01418A |
| 20 | Pin Park Brake Control | 01419A |
| 21 | Washer M8 | 01009A |
| 22 | Clip | 01414A |
| 23 | Bolt Park Brake Control Mounting M8 x 1.25 x 20 | 02013A |
| 24 | Lock Washer 8mm | 02014A |
| 25 | Control Assembly Park Brake Handle | 01420A |
| 25 | Control Assembly Park Brake Handle From #9170 | 01420B |
| 25A | Grip Park Brake Control | 01421A |
| 26 | Boot Park Brake Control | 01422A |
| 27 | Screw Boot Retainer Plate M4.2 x 13 Metal Coarse | 01423A |
| 28 | Retainer Plate Park Brake Lever Boot | 01424A |
| 29 | Trim Cover Park Brake Control Steel w/Trim | 25020A |
| 29 | Trim Cover Park Brake Control Plastic 73-74 Console | 25020B |
| 29 | Trim Cover GT5 w/Control on Left Side of Console | 25020C |
| 30 | Switch Park Brake Warning 2 Terminal | 01426A |
| 30 | Switch Park Brake Warning 3 Terminal | 01426B |
| 31 | Pin Park Brake Cable End GT5 | 01427A |
| 32 | Bracket Park Brake Cable Mounting RH GT5 | 01428A |
| 32 | Bracket Park Brake Cable Mounting LH GT5 | 01428B |





Original DeTomaso Pantera Parts

SECTION 2 ILLUSTRATION 5

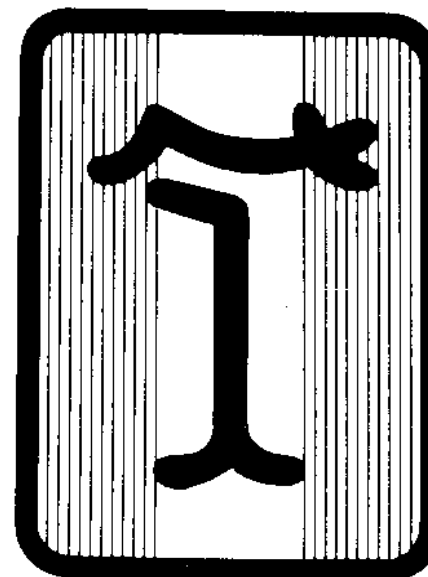


SPECIAL ADJUSTABLE SWAY BAR KIT
SEE SECTION 30

SECTION 2 ILLUSTRATION 5

| ILLUSTRATION # | DESCRIPTION | PART # |
|----------------|--|--------|
| 1 | Shim Front Alignment 3/64" | 02002A |
| 1 | Shim Front Alignment 5/32" | 02002B |
| 2 | Ball Joint Upper | 02001A |
| 3 | See Section 1, Illustration #1 | |
| 4 | See Section 1, Illustration #1 | |
| 5 | See Section 1, Illustration #1 | |
| 6 | See Section 1, Illustration #1 | |
| 7 | Nut, Upper Ball Joint M10 x 1.5 ELN | 02003A |
| 8 | Bolt, Upper Ball Joint M10 x 1.5 x 90mm | 02004A |
| 9 | A-Arm Upper RH w/o Adjustable Caster N/R | |
| 9 | A-Arm Upper RH with Adjustable Caster | 02005A |
| 9 | A-Arm Upper LH w/o Adjustable Caster N/R | |
| 9 | A-Arm Upper LH with Adjustable Caster | 02006A |
| 10 | Bolt A-Arm to Chassis 12M x 1.75 x 80mm | 02007A |
| 11 | Bushing (A-Arm) | 02008A |
| 12 | Nut A-Arm Bolt 12mm x 1.75 ELN | 02009A |
| 13 | Nut Lower A-Arm Ball Joint M10 x 1.5 ELN | 02003A |
| 14 | Ball Joint Lower | 02001B |
| 15 | Bolt A-Arm to Chassis 12M x 1.75 x 80mm | 02007B |
| 16 | Bushing (A-Arm) | 02008A |
| 17 | Nut A-Arm Bolt 12mm x 1.75 ELN | 02009A |
| 18 | A-Arm Lower RH | 02010A |
| 18 | A-Arm Lower LH | 02011A |
| 19 | Bolt (Lower Ball Joint Outer) M10 x 1.5 x 80mm | 02004A |
| 20 | Bracket Sway Bar to A-Arm | 02012A |
| 21 | Bolt Sway Bar Bracket M8 x 1.25 x 20 | 02013A |
| 22 | Lock Washer 8mm | 02014A |
| 23 | Retainer Spring to Shock | 02015A |
| 24 | Retainer Ring Spring to Shock | 02016A |
| 25 | Insulator Spring Upper | 02017A |
| 26 | Spring Front Coil | 02018A |
| 26 | Spring Front Coil GT5 | 02018B |
| 27 | Insulator Spring Lower | 02017B |
| 28 | Bolt Shock to Chassis 12M x 1.75 x 80mm | 02007A |
| 29 | Bushing (Shock) | 02008B |
| 30 | Nut Shock Bolt 12mm x 1.75 ELN | 02009A |
| 31 | Bolt Shock to A-Arm M12 x 1.75 x 80mm | 02007A |
| 32 | Shock Absorber Front | 02023A |
| 32 | Shock Absorber GT5 Front | 02023B |
| 33 | Bushing Sway Bar Mounting | 02019A |
| 34 | Sway Bar Front | 02020A |
| 35 | Nut Bracket to Chassis M8 x 1.25 ELN | 01010A |
| 36 | Spacer Spring to Shock | 02022A |
| 36 | Spacer Spring to Shock GT5 | 02022B |

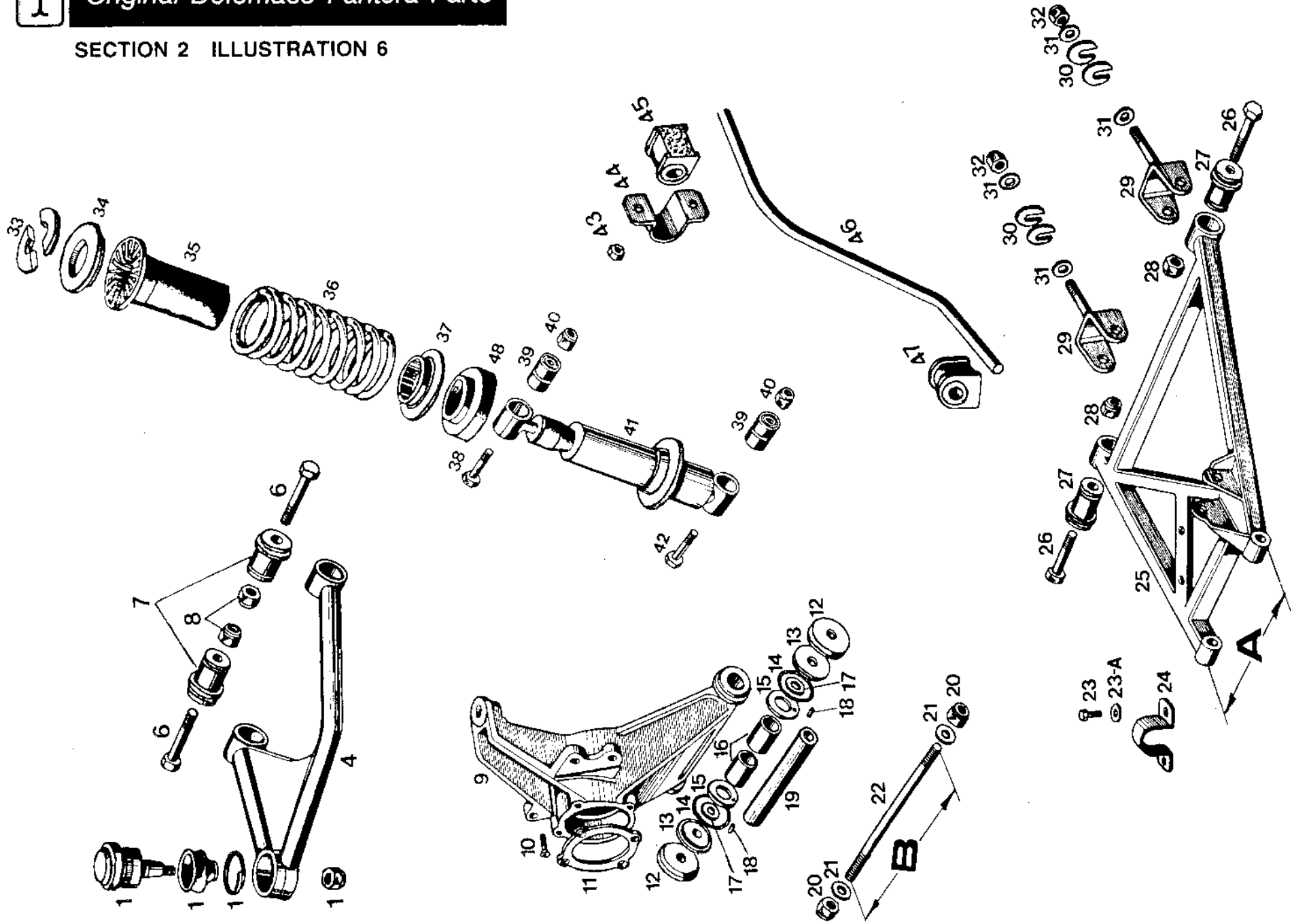
Original DeTomaso Pantera Parts





Original DeTomaso Pantera Parts

SECTION 2 ILLUSTRATION 6



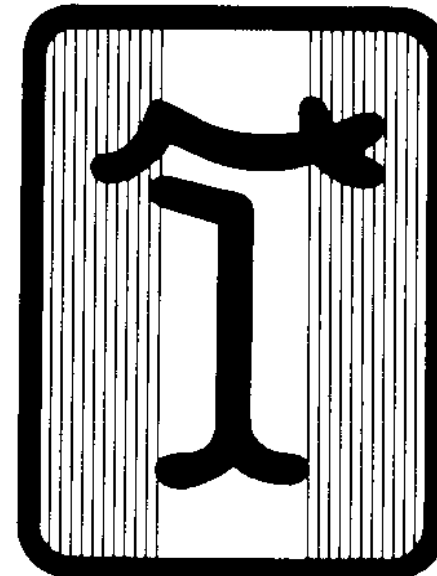
SECTION 2 ILLUSTRATION 6

Original DeTomaso Pantera Parts



| ILLUSTRATION # | DESCRIPTION | PART # |
|----------------|--|--------|
| 1 | Ball Joint Upper | 02100A |
| 4 | A-Arm Upper RH | 02101A |
| 4 | A-Arm Upper LH | 02102A |
| 6 | Bolt A-Arm to Chassis M12 x 1.75 x 80mm | 02007A |
| 7 | Bushing A-Arm | 02008A |
| 8 | Nut A-Arm Bolt 12mm x 1.75 ELN | 02009A |
| 9 | Hub Carrier | 01207A |
| 9 | Hub Carrier GT5 RH | 01207B |
| 9 | Hub Carrier GT5 LH | 01207C |
| 10 | Screw Retainer to Hub M6 x 1 x 16mm | 01206A |
| 11 | Retainer Wheel Bearing Outer | 01205A |
| 11 | Retainer Wheel Bearing Outer GT5 | 01205B |
| 12 | Shield Rear Lower Shaft | 02103A |
| 12 | Shield GT5 | 02103B |
| 13 | Washer Lower Support Shaft Outer | 02104A |
| 14 | Seal Lower Support Shaft | 02105A |
| 15 | Washer Lower Support Shaft Inner | 02106A |
| 16 | Bushing Lower Support Shaft | 02107A |
| 17 | Washer (Center) 5/8 ID x 15/16 OD | 02108A |
| 18 | Pin Hub Carrier to Washer | 02109A |
| 19 | Spacer Lower Support Shaft | 02110A |
| 20 | Nut Lower Support Shaft M14 x 1.5 ELN | 02111A |
| 21 | Washer Lower Support Shaft M15 | 02112A |
| 22 | Shaft Lower Support 10-1/2" Long | 02113A |
| 22 | Shaft 11" Replaced by 02113A | |
| 23 | Bolt Sway Bar Bracket M8 x 1.25 x 20mm | 02013A |
| 23A | Lock Washer 8mm | 02014A |
| 24 | Bracket Sway Bar to A-Arm | 02012A |
| 25 | A-Arm Lower RH "A" Dimension 9" | 02114A |
| 25 | A-Arm Lower LH "A" Dimension 9" | 02115A |
| 25 | A-Arm Lower "A" Dimension 9 1/2" Replaced by Above | |
| 26 | Bolt A-Arm to Chassis M12 x 1.75 x 80mm | 02007A |
| 27 | Bushing A-Arm | 02008A |
| 28 | Nut A-Arm Bolt 12mm x 1.75 ELN | 02009A |
| 29 | Support Lower Arm to Frame | 02116A |
| 30 | Shim Rear Alignment 1/32" | 02117A |
| 30 | Shim Rear Alignment 3/64" | 02117B |
| 30 | Shim Rear Alignment 7/64" | 02117C |
| 31 | Washer Lower Support to Frame M14 | 02118A |
| 32 | Nut Lower Support M14 x 1.5 ELN | 02111A |
| 33 | Retainer Spring to Shock | 02015A |
| 34 | Retainer Ring Spring to Shock | 02016A |
| 35 | Insulator Spring Upper | 02017A |
| 36 | Spring Assembly Rear Coil | 02119A |
| 36 | Spring Assembly Rear Coil GT5 | 02119B |
| 37 | Insulator Spring Lower | 02017B |
| 38 | Bolt Shock to Chassis 12mm x 1.75 x 80mm | 02007A |
| 39 | Bushing Shock | 02008B |
| 40 | Nut Shock Bolt 12mm x 1.75 ELN | 02009A |
| 41 | Shock Absorber Rear | 02120A |
| 41 | Shock Absorber Rear GT5 | 02120B |
| 42 | Bolt Shock to A-Arm M12 x 1.75 x 75mm | 02007B |

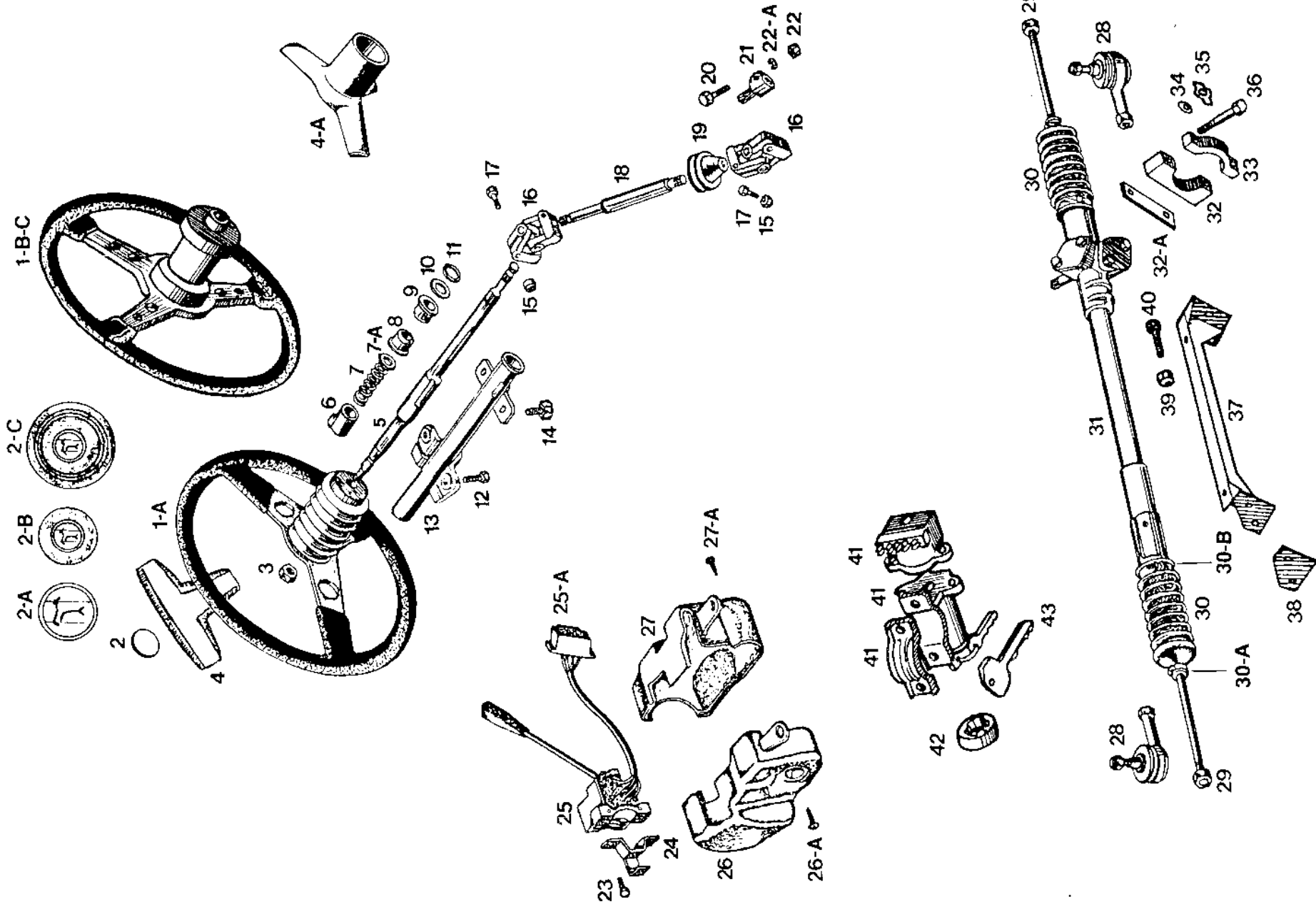
| | | |
|----|--------------------------------------|--------|
| 43 | Nut Bracket to Chassis M8 x 1.25 ELN | 01010A |
| 44 | Bracket Sway Bar to Chassis | 02012A |
| 45 | Bushing Sway Bar (Center Split) | 02019B |
| 46 | Sway Bar Rear | 02121A |
| 47 | Bushing Sway Bar (Side Split) | 02019C |
| 48 | Spacer Rear Spring 5/8" | 02022B |
| 48 | Spacer Rear Spring GT5 1-1/16" | 02022C |





Original DeTomaso Pantera Parts

SECTION 3 ILLUSTRATION 7



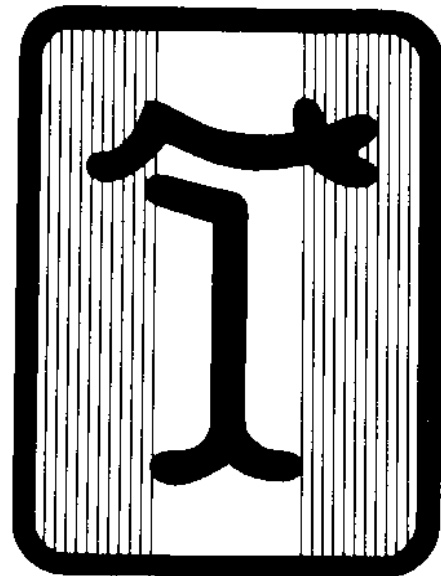
SECTION 3 ILLUSTRATION 7

Original DeTomaso Pantera Parts



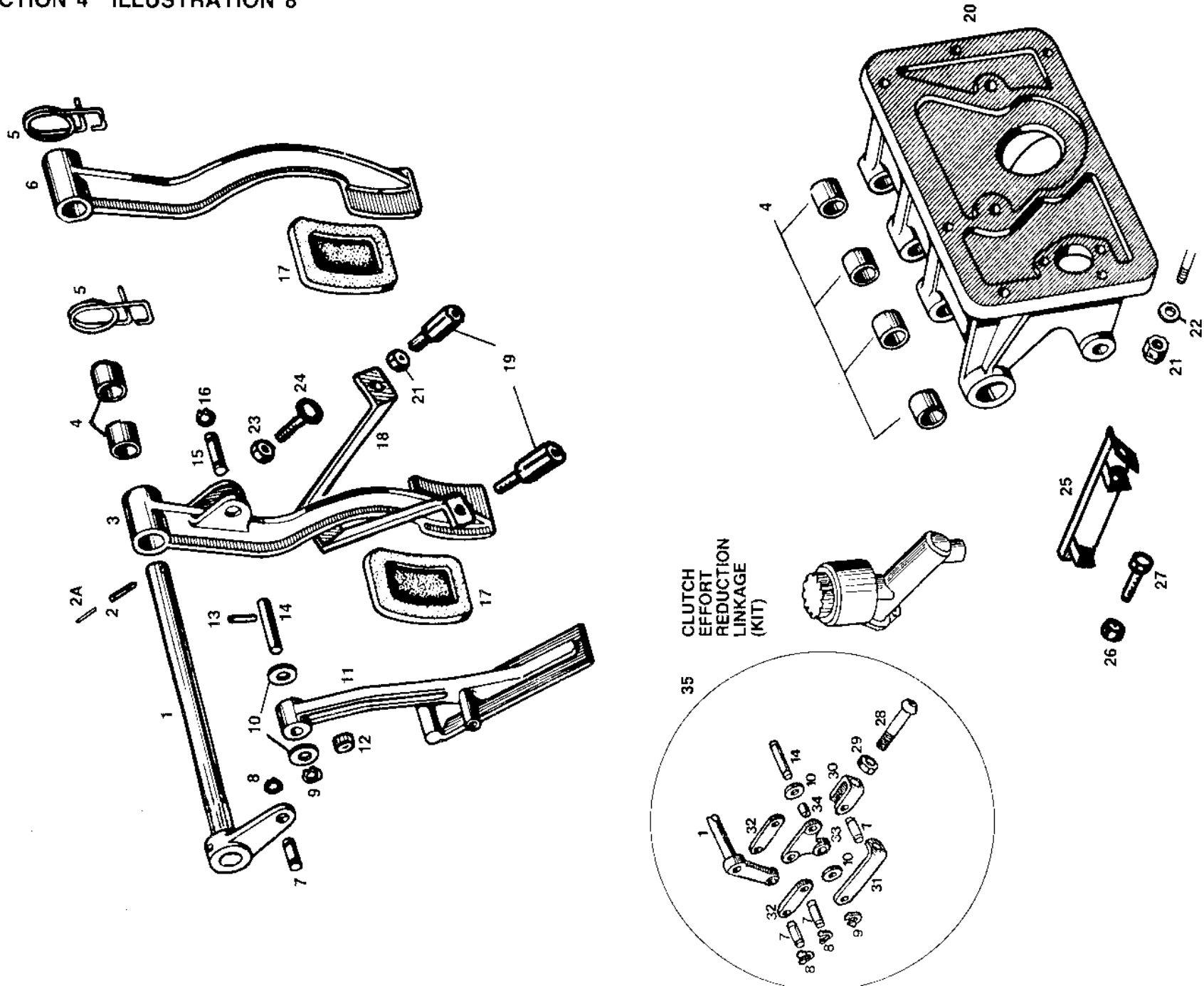
| ILLUSTRATION # | DESCRIPTION | PART # |
|----------------|--|--------|
| 1A | Steering Wheel 71-74 Except GTS | 03001A |
| 1B | Steering Wheel 74 GTS Black 3 Spoke w/GHIA Crest | 03001B |
| 1C | Steering Wheel GTS Black Leather 3 Spoke DeTomaso Logo | 03001C |
| 1C | Steering Wheel GTS with Choice of Color (Special Order) | 03001D |
| 2A | Emblem Steering Wheel Center Early 1971 (Gold Trim w/DeTomaso Logo) | 03002A |
| 2B | Emblem Steering Wheel Center 71-74 Except GTS (Black w/DeTomaso Logo) | 03002B |
| 2C | Emblem Steering Wheel Center GTS Not Replaced | |
| 2C | Emblem GT5 Black Plastic Snap in Type w/Logo | 03002C |
| 3 | Nut Steering Wheel Retaining 9/16 x 18 ELN | 03003A |
| 4 | Pad Steering Wheel Upper (Rubber) | 03004A |
| 4A | Trim Steering Wheel Lower (Plastic) | 03004B |
| 5 | Shaft Steering Column Upper | 03005A |
| 6 | Cam Turn Signal Canceling | 03006A |
| 7 | Spring Steering Column Upper Bearing | 03007A |
| 7A | Spacer Steering Shaft Spring | 03008A |
| 8 | Bearing Steering Column Upper | 03009A |
| 9 | Bearing Steering Column Lower | 03010A |
| 10 | Washer Lower Bearing | 03011A |
| 11 | Retaining Spring | 03012A |
| 12 | Bolt Steering Column to Dash M8 x 1.25 x 20mm Allen Head | 03013A |
| 13 | Tube Steering Column | 03014A |
| 13 | Tube Steering Column GT5-S From #9395 (w/New Type Ignition Switch #03038B) | 03014B |
| 14 | Bolt Steering Column to Dash M8 x 1.25 x 16mm | 01013A |
| 15 | Nut Steering Column Joint M8 x 1.25 ELN | 01010A |
| 16 | Joint (Universal) Steering Shaft | 03015A |
| 17 | Bolt Steering Column Joint M8 x 1.25 x 35 | 03016A |
| 18 | Shaft Steering Column Lower w/Slip Joint | 03017A |
| 19 | Boot Steering Shaft at Floor | 03018A |
| 20 | Bolt Steering Shaft Coupler 1/4" x 28 x 1-1/2" | 03019A |
| 21 | Coupler Steering Gear Input Shaft | 03020A |
| 22 | Nut Steering Shaft Coupler 1/4 x 28 | 03021A |
| 22A | Lock Washer 1/4" | 03022A |
| 23 | Screw Bracket to Turn Signal Switch 10 - 24 x 1/2" | 03023A |
| 24 | Bracket Turn Indicator Upper Column | 03024A |
| 25 | Switch Assembly Turn Indicator | 03025A |
| 25A | Connection Turn Signal Switch Wires | 03025B |
| 26 | Trim Steering Column RH for Ignition Switch | 03026A |
| 26 | Trim Steering Column RH for Ignition Switch (From #9395) GT5-S | 03026C |
| 26A | Screw Sheet Metal #10 x 3/4" | 03026B |
| 27 | Trim Steering Column LH for Turn Signal Switch | 03027A |
| 27 | Trim Steering Column LH for Ignition Switch (From #9395) GT5-S | 03027C |
| 27A | Screw Countersunk Phillips 8 - 32 x 5/16 | 03027B |
| 28 | Tie Rod End with Nut | 03028A |
| 29 | Nut Tie Rod Jamb to Steering Rack 1/2" x 20 | 03029A |
| 30 | Boot Steering Rack End Seal | 03030A |
| 30A | Clamp Steering Rack Boot (Outer) | 03030B |
| 30B | Clamp Steering Rack Boot (Inner) | 03030C |
| 31 | Steering Rack Assembly | 03031A |

| | | |
|-----|---|--------|
| 32 | Bracket Steering Rack Mounting Upper (A-Dimension 25mm) | 03032A |
| 32 | Bracket Steering Rack Mounting Upper (A-Dimension 33.7mm) Replaced by Above | |
| 32A | Spacer Steering Rack Mounting | 03033A |
| 33 | Bracket Steering Rack Mounting Lower | 03034A |
| 34 | Washer Flat 8mm | 01009A |
| 34 | Washer Lock 8mm | 02014A |
| 35 | Lock Tab (N/R-Replaced by Lock Washer) | |
| 36 | Bolt Steering Rack Mounting M8 x 1.25 x 70mm | 03035A |
| 36 | Bolt Steering Rack Mounting Used w/Spacer #32A M8 x 1.25 x 80mm | 03035B |
| 37 | Reinforcement Steering Rack Mounting | 03036A |
| 38 | Spacer Steering Gear Reinforcement | 03037A |
| 39 | Nut M8 x 1.25 ELN | 01010A |
| 40 | Bolt M8 x 1.25 x 20mm | 02013A |
| 41 | Ignition Switch & Lock | 03038A |
| 41 | Ignition Switch & Lock (From #9395) GT5-S | 03038B |
| 42 | Bezel Ignition Switch (Black Plastic) | 03039A |
| 43 | Key Ignition (Blank) | 03040A |
| 43 | Key Ignition (Blank) for Switch GT5-S (From #9395) | 03040B |





SECTION 4 ILLUSTRATION 8

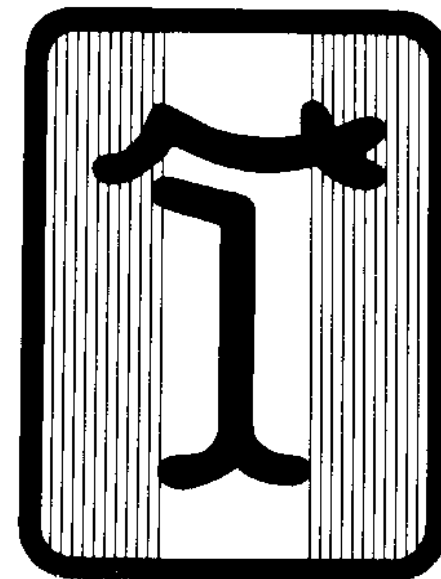


SECTION 4 ILLUSTRATION 8

Original DeTomaso Pantera Parts



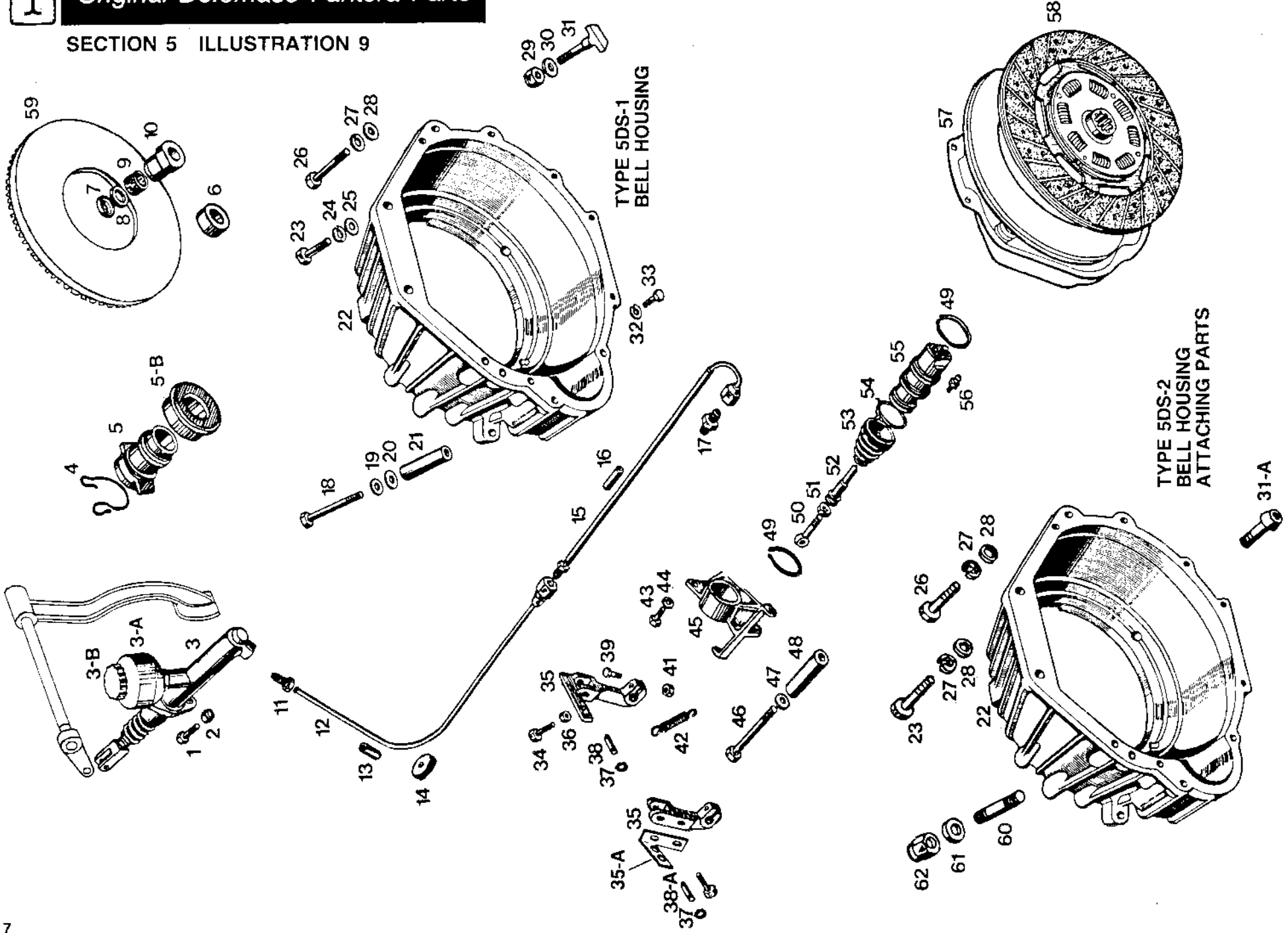
| ILLUSTRATION # | DESCRIPTION | PART # |
|----------------|--|--------|
| 1 | Shaft Brake & Clutch Pedal Support | 04001A |
| 1 | Shaft Brake & Clutch Pedal Support w/Effort Reduction Kit | 04001B |
| 2 | Pin Clutch Pedal to Shaft Outer | 04002A |
| 2A | Pin Clutch Pedal to Shaft Inner | 04002B |
| 3 | Pedal Brake | 04003A |
| 4 | Bushing Brake Pedal & Shaft Mounting | 04004A |
| 5 | Spring Brake & Clutch Pedal Retracting | 04005A |
| 6 | Pedal Clutch | 04006A |
| 7 | Pin Clutch Master Cylinder to Shaft | 04007A |
| 8 | Snap Ring Clutch Linkage Pins | 04008A |
| 9 | Snap Ring Throttle Pedal Shaft | 04009A |
| 10 | Washer Throttle Pedal | 04010A |
| 11 | Pedal Throttle | 04011A |
| 12 | Bearing Throttle Pedal | 04012A |
| 13 | Pin Throttle Pedal Shaft Retaining | 04013A |
| 14 | Shaft Throttle Pedal | 04014A |
| 14 | Shaft Throttle Pedal Used w/Clutch Effort Reduction Kit | 04014B |
| 15 | Pin Brake Pedal to Booster | 04015A |
| 16 | Snap Ring Brake Pedal Pin | 04009A |
| 17 | Pad Brake & Clutch Pedal | 04016A |
| 18 | Bracket Brake Pedal Return Stop | 04017A |
| 19 | Stud Brake Pedal Return Bracket Mounting | 04018A |
| 20 | Bracket Pedal Support | 04019A |
| 20 | Bracket Pedal Support GT5 (Used w/Booster #01322C) | 04019B |
| 21 | Nut M8 x 1.25 ELN | 01010A |
| 22 | Washer M8 | 01009A |
| 23 | Nut Brake Pedal Stop Jamb M8 x 1.25 | 01417A |
| 24 | Stop (Brake Pedal Return) | 04020A |
| 25 | Bracket Throttle Travel Stop | 04021A |
| 26 | Nut Throttle Pedal Stop Bolt (Jamb) M8 x 1.25 | 01417A |
| 27 | Bolt Throttle Pedal Stop M8 x 1.25 x 20mm | 02013A |
| 27 | Bolt Throttle Pedal Stop M8 x 1.25 x 30mm | 04022A |
| 28 | Rod Clutch Master Cylinder Push (w/o Effort Reduction Kit) | 04023A |
| 28 | Rod Clutch Master Cylinder Push (w/Effort Reduction Kit) Length 60mm | 04023B |
| 29 | Nut Clutch Master Cylinder Push Rod (Jamb) 8M x 1.25 | 01417A |
| 30 | Clevis Clutch Master Cylinder Push Rod (w/o Effort Reduction Kit) Length 50mm | 04024A |
| 30 | Clevis Clutch Master Cylinder Push Rod (w/Effort Reduction Kit) Length 30mm | 04024B |
| 31 | Bracket Throttle Pedal Pin Support (w/Effort Reduction Kit) | 04025A |
| 32 | Link Clutch Shaft to Bell Crank | 04026A |
| 33 | Bell Crank (Effort Reduction Kit) | 04027A |
| 34 | Bearing Bell Crank to Shaft | 04012A |
| 35 | Kit Clutch Effort Reduction | 04028A |
| 35 | Kit Clutch Effort Reduction w/o #1 Shaft | 04028B |





Original DeTomaso Pantera Parts

SECTION 5 ILLUSTRATION 9



TYPE 5DS-1
BELL HOUSING

TYPE 5DS-2
BELL HOUSING
ATTACHING PARTS

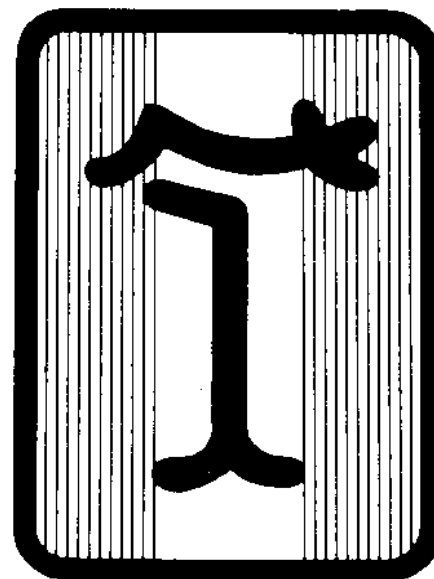
SECTION 5 ILLUSTRATION 9

Original DeTomaso Pantera Parts



| ILLUSTRATION # | DESCRIPTION | PART # |
|----------------|---|--------|
| 1 | Bolt Clutch Master Cylinder to Support | 05001A |
| 2 | Nut Clutch Master Cylinder to Support M8 x 1.25 ELN | 01010A |
| 3 | Clutch Master Cylinder w/o Effort Reduction Kit | 05002A |
| 3 | Clutch Master Cylinder with Effort Reduction Kit | 05002B |
| 3A | Reservoir Clutch Master Cylinder | 05003A |
| 3B | Cap Clutch Master Cylinder Reservoir | 01336A |
| 4 | Retainer Hub to Fork | 05004A |
| 5 | Hub Clutch Release Bearing | 05005A |
| 5B | Bearing Assembly Clutch Release | 05006A |
| 6 | Pilot Bearing 1-Piece Design Type 2 Transaxle | 05007A |
| 7 | Retainer Pilot Bearing Type 1 Transaxle | 05008A |
| 8 | Felt Seal Pilot Bearing Type 1 Transaxle | 05009A |
| 9 | Pilot Bearing Type 1 Transaxle (Roller Cage Type) | 05007B |
| 10 | Adaptor Pilot Bearing to Crankshaft Type 1 | 05010A |
| 11-12 | Tube Clutch Master Cylinder to Rear Tube | 05011A |
| 13 | Insulator (Fabricate from Bulk Hose) | |
| 14 | Grommet Front Trunk Floor to Tube | 05012A |
| 15 | Tube Clutch Slave Cylinder to Front Tube (Red) | 05013A |
| 16 | Insulator (Fabricate from Bulk Hose) | |
| 17 | Fitting Clutch Slave Cylinder to Tube | 05014A |
| 18 | Bolt Transaxle to Bell Housing 7/16 x 20 x 4" | 05015A |
| 19 | Lock Washer M11 | 01216A |
| 20 | Flat Washer 7/16" | 05016A |
| 21 | Spacer Transaxle to Bell Housing 60mm | 05017A |
| 22 | Bell Housing Type 1 w/2 Inspection Holes at Top | 05018A |
| 22 | Bell Housing Type 2 w/1 Inspection Hole Left Top Side | 05018B |
| 23 | Bolt Bell Housing to Block 7/16 - 14 x 1-3/4" | 05019A |
| 24 | Lock Washer 7/16" | 05020A |
| 25 | Flat Washer 7/16" | 05021A |
| 26 | Bolt 7/16 - 14 x 2-1/2" | 05022A |
| 27 | Lock Washer 7/16" | 05020A |
| 28 | Flat Washer 7/16" | 05021A |
| 29 | Nut Transaxle to Bell Housing (Lower) Type 1 M12 x 1.25 | 05022A |
| 30 | Flat Washer M12 | 05023A |
| 31 | Transaxle Attaching Bolt Type 1 | 05024A |
| 31A | Transaxle Attaching Bolt Lower (Type 2) M10 x 1.5 x 40 Allen Head | 05025A |
| 32 | Lock Washer 8mm | 02014A |
| 33 | Bolt Motor Plate to Bell Housing M8 x 1.25 x 12 | 05026A |
| 34 | Bolt Clutch Free Travel Adj. M6 x 1 x 25mm | 01313A |
| 35 | Lever Clutch Arm 1 Piece 1st Series Replaced by 2 Piece Design | |
| 35 | Lever Clutch Arm (2 Piece Design) | 05027A |
| 35A | Bracket Clutch Adjustment & Return Spring | 05027B |
| 36 | Nut M8 | 05028A |
| 37 | Clip | 04009A |
| 38 | Pin Clutch Lever to Slave Cylinder 31mm Long | 05029A |
| 38A | Pin Clutch Lever to Slave Cylinder (Used w/2 Piece Bracket) 36mm Long | 05029B |
| 39 | Bolt Clutch Lever Retaining M8 x 1.25 x 35mm | 03016A |
| 41 | Nut Clutch Lever Retaining M8 x 1.25 ELN | 01417A |
| 42 | Spring Clutch Return | 05030A |

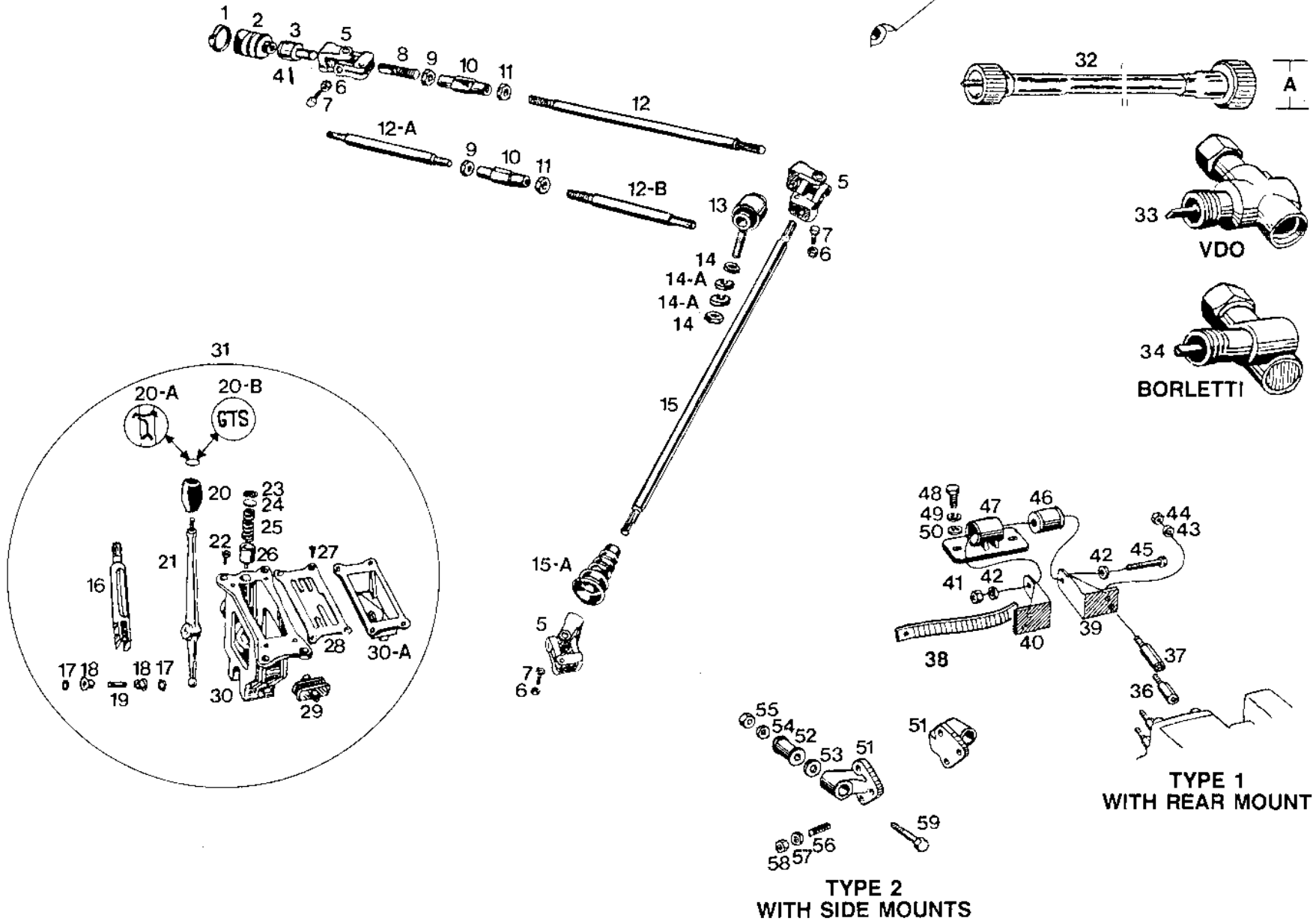
| | | |
|-------|--|--------|
| 43 | Bolt Slave Cylinder Bracket to Bell Housing M8 x 1.25 x 20mm | 02013A |
| 44 | Lock Washer M8 | 02014A |
| 45 | Bracket Clutch Slave Cylinder to Bell Housing Type 1 | 05031A |
| 45 | Bracket Clutch Slave Cylinder to Bell Housing Type 2 | 05031B |
| 46 | Bolt Slave Cylinder Bracket to Engine 7/16 x 14 x 5-1/2" | 05032A |
| 47 | Lock Washer 7/16" | 05020A |
| 48 | Spacer Slave Cylinder Bracket to Bell Housing (75mm) | 05033A |
| 49 | Snap Ring Slave Cylinder Retaining | 05034A |
| 50 | Rod Slave Cylinder Threaded w/Eye | 05035A |
| 51 | Nut Slave Cylinder Rod Jamb M8 x 1.25 | 01417A |
| 52 | Plunger Clutch Slave Cylinder | 05036A |
| 50-56 | Clutch Slave Cylinder Assembly | 05037A |
| 56 | Bleed Screw w/Cap Clutch Slave Cylinder | 05038A |
| 57 | Clutch Pressure Plate Type 1 Transaxle | 05039A |
| 57 | Clutch Pressure Plate Type 2 Transaxle | 05039B |
| 58 | Clutch Disc Type 1 Transaxle | 05040A |
| 58 | Clutch Disc Type 2 Transaxle | 05040B |
| 59 | Flywheel & Ring Gear Assembly | 05041A |
| 60 | Stud Bell Housing to Transaxle Type 2 M10 x 1.5 x 60 | 05042A |
| 61 | Flat Washer M10 | 05043A |
| 62 | Nut Bell Housing to Transaxle Type 2 M10 x 1.5 ELN | 02003A |





Original DeTomaso Pantera Parts

SECTION 6 ILLUSTRATION 10



SECTION 6 ILLUSTRATION 10

Original DeTomaso Pantera Parts

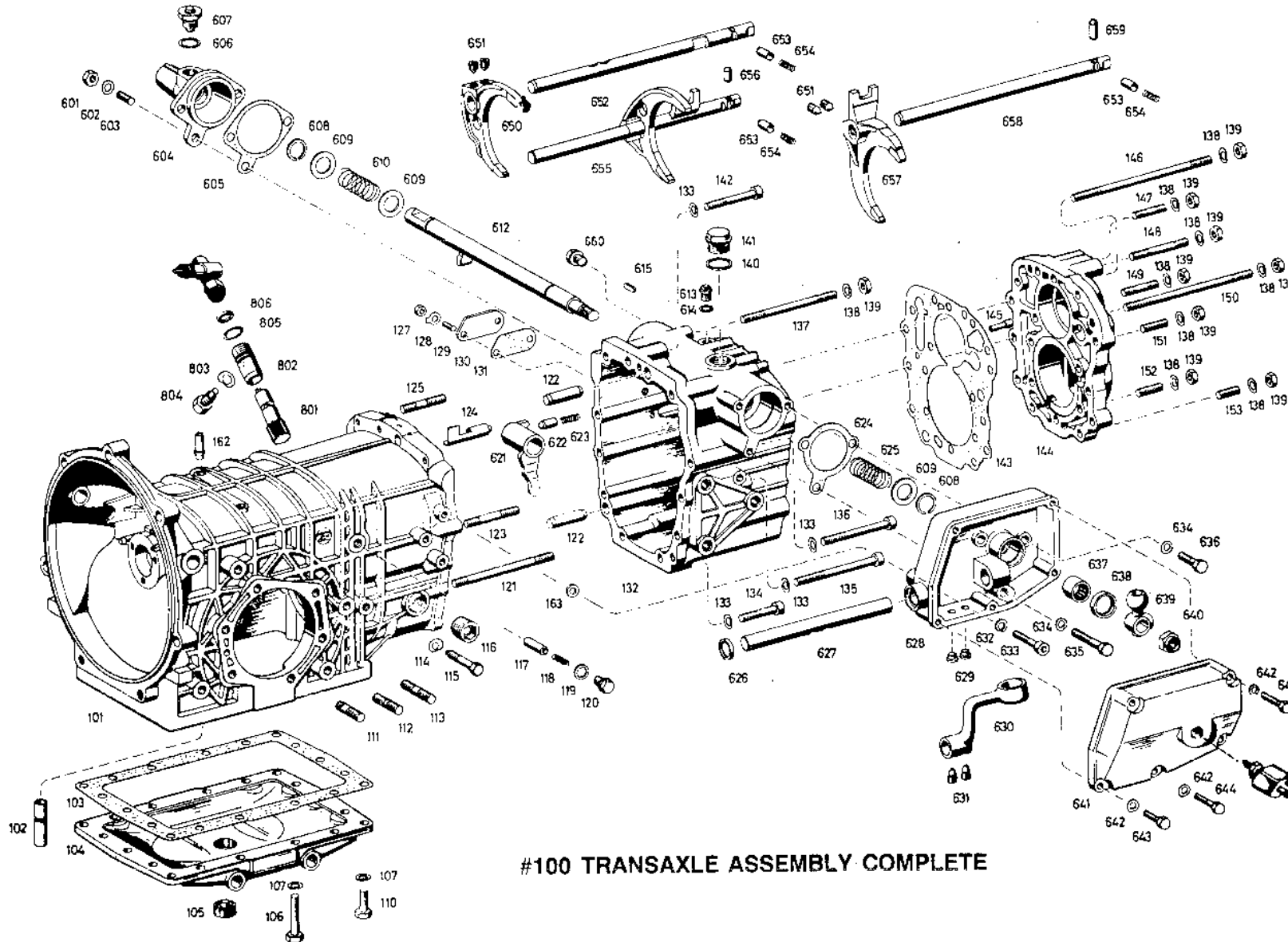


| ILLUSTRATION # | DESCRIPTION | PART # |
|----------------|--|--------|
| 1 | Clamp Shift Boot Retainer | 06001A |
| 2 | Boot Shift Shaft at Transaxle | 06002A |
| 3 | Connector (U-Joint to Transmission) | 06003A |
| 4 | Pin Connector to Transaxle | 06003B |
| 5 | Joint Assembly Gearshift Universal | 03015A |
| 6 | Nut M8 x 1.25 ELN | 01010A |
| 7 | Bolt U-Joint Retaining M8 x 1.25 x 35mm | 03016A |
| 8 | Connector Not Available | |
| 9 | Nut (Jamb) Shift Rod Connector | 06004A |
| 10 | Connector Shift Rod Adjusting | 06005A |
| 11 | Nut (Jamb) Shift Rod Connector | 06006A |
| 12 | Shift Rod Rear (Not Replaced) | |
| 12A | Shift Rod Rear Section | 06007A |
| 12B | Shift Rod Rear (Front) Section | 06008A |
| 13 | Shift Rod Center Support to Frame | 06009A |
| 14 | Nut Shift Rod Support | 06010A |
| 14A | Lock Washer Shift Rod Support | 06011A |
| 15 | Shift Rod Front | 06012A |
| 15A | Boot Shift Rod at Firewall | 06013A |
| 16 | Shift Rod Gearshift to U-Joint | 06014A |
| 17 | Snap Ring Gearshift Lever Retaining Pin | 04009A |
| 18 | Bushing Gearshift Lever | 06015A |
| 19 | Pin Gearshift Lever Pivot | 06016A |
| 20 | Knob Gearshift Black | 06017A |
| 20A | Emblem Gearshift Knob DeTomaso Crest (Blue & White) | 06018A |
| 20B | Emblem Gearshift Knob GTS Black w/White Letters | 06018B |
| 21 | Gearshift Lever | 06019A |
| 22 | Bolt Gearshift Housing to Body M8 x 1.25 x 15 (Allen C.S.) | 06020A |
| 23 | Snap Ring Gearshift Detent Retaining | 06021A |
| 24 | Retainer Gearshift Detent Spring | 06022A |
| 25 | Spring Gearshift Detent | 06023A |
| 26 | Detent Gearshift Locating | 06024A |
| 27 | Bolt Gearshift Gate to Housing (Chrome) M6 x 1.0 x 15mm (Allen C.S.) | 06025A |
| 28 | Gate Gearshift Selector | 06026A |
| 29 | Pad Gearshift Lever | 06027A |
| 30 | Housing Gearshift Control | 06028A |
| 30A | Boot Gearshift at Console | 06029A |
| 31 | Gearshift Assembly Complete Assembled (w/o #20-20A-22-26-30A) | 06030A |
| 32 | Speedometer Cable Assembly V.D.O. A = 20mm | 06031A |
| 32 | Speedometer Cable Assembly Borletti A = 15.5mm | 06031B |
| 33 | Adapter Speedometer Angle Drive V.D.O. Ratio 1:1 for ZF Transaxle 103 100 1058 and 103 100 2001 with Speedometer Indicator Ratio 1610 REV = 1 mile | 06032A |
| 33 | Adapter Speedometer Angle Drive V.D.O. Ratio 1.1:1 for ZF Transaxle 103-100 1059/060/061 Speedometer Indicator Ratio 1210 REV = 1 mile | 06032B |
| 34 | Adapter Speedometer Angle Drive Borletti Marked 50-0806 (Not Available) | |
| 34 | Adapter Speedometer Angle Drive Borletti Marked 50-0804 for ZF Transaxle 103-100-1058 and 1031-002-001 Speedometer Indicator 1610 REV = 1 mile | 06032C |

| | | |
|----|--|--------|
| 35 | Switch Back Up Lights | 06033A |
| 36 | Adapter Bolt (Mount to Transaxle) 36mm Long | 06034A |
| 37 | Adapter Bolt (Mount to Transaxle) 46mm Long | 04018A |
| 38 | Ground Cable Transaxle to Body | 06035A |
| 39 | Support Bracket LH | 06036A |
| 40 | Support Bracket RH | 06037A |
| 41 | Nut Support Bracket Bolt M12 x 1.75 ELN | 02009A |
| 42 | Flat Washer M12 | 06039A |
| 43 | Lock Washer M8 | 01009A |
| 44 | Nut M8 x 1.25 | 01010A |
| 45 | Bolt M12 x 1.75 x 90mm | 06040A |
| 46 | Insulator Transaxle Rear Mount | 06041A |
| 47 | Bracket Rear Mount to Body | 06042A |
| 48 | Bolt M10 x 1.5 x 25mm | 06043A |
| 49 | Lock Washer M10 | 06044A |
| 50 | Flat Washer M10 | 05043A |
| 51 | Support Bracket RH & LH w/Side Mount | 06045A |
| 52 | insulator Transaxle Side Mount RH & LH | 06046A |
| 53 | Shim Insulator to Support 1.5mm Thick | 06047A |
| 53 | Shim Insulator to Support 4mm Thick | 06047B |
| 54 | Flat Washer M12 | 06039A |
| 55 | Nut M12 x 1.75 ELN | 02009A |
| 56 | Stud Support Bracket to Transaxle M10 x 1.5 x 40mm | 06049A |
| 57 | Washer Support Bracket M10 (Spring Washer) | 06050A |
| 58 | Nut M10 x 1.5 ELN | 02003A |
| 59 | Bolt Side Mount to Chassis M12 x 1.75 x 100mm | 06051A |



SECTION 7 ILLUSTRATION 11



#100 TRANSAXLE ASSEMBLY COMPLETE

See Sec. 6 Illus. 10

SECTION 7 ILLUSTRATION 11, 12, 13

Original DeTomaso Pantera Parts

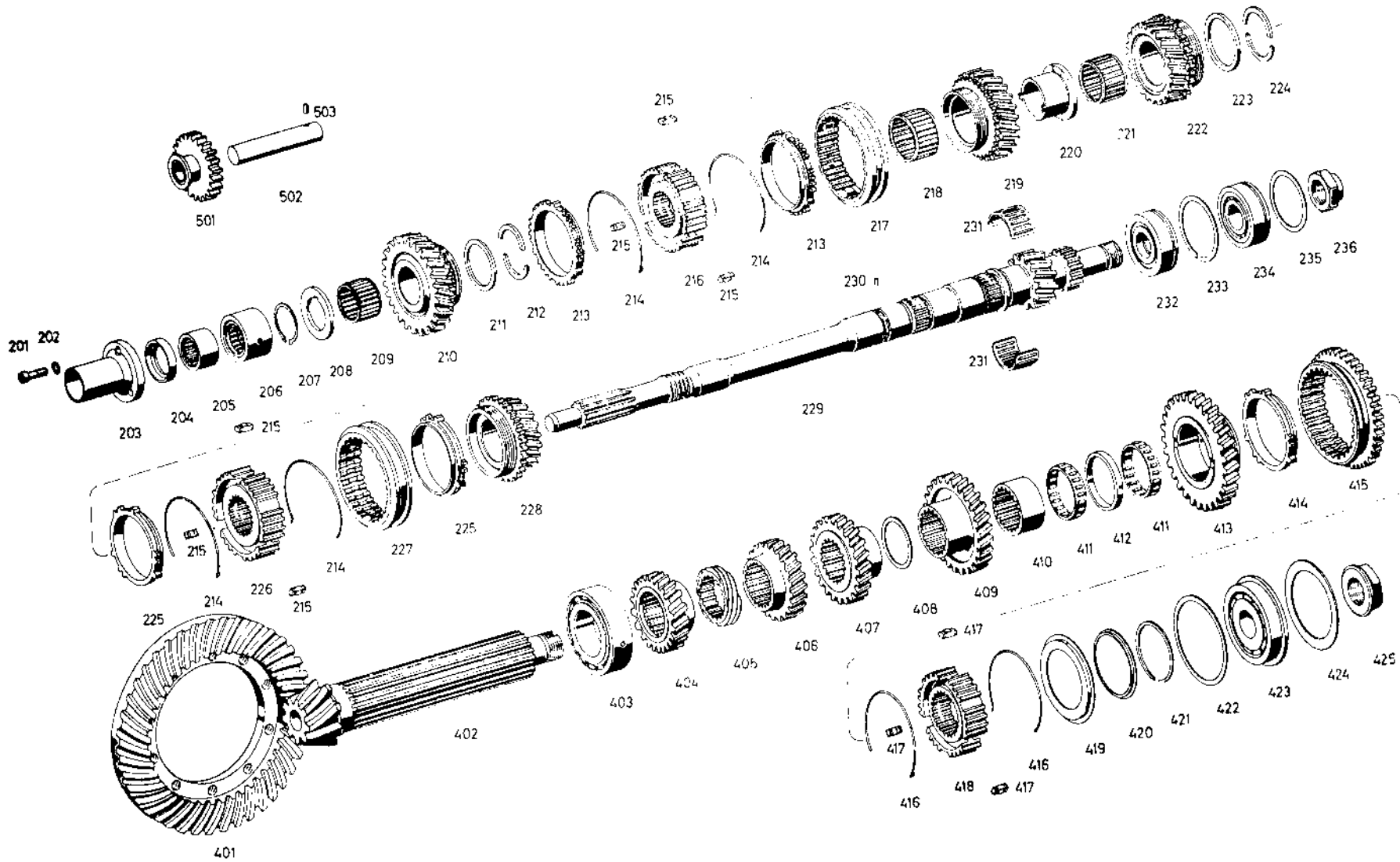


| ILLUSTRATION # | DESCRIPTION | PART # |
|------------------------------|---------------------------|--------|
| GEARBOX HOUSING GROUP | | |
| 100 | Transaxle Assembly Type 1 | 07100A |
| 100 | Transaxle Assembly Type 2 | 07100B |
| 101 | Gear Housing | 07101A |
| 102 | Pipe | 07102A |
| 103 | Gasket | 07103A |
| 104 | Cover | 07104A |
| 105 | Drain Plug | 07105A |
| 106 | Screw | 07106A |
| 107 | Spring Washer | 07107A |
| 108 | Nut | 07108A |
| 110 | Screw | 07110A |
| 111 | Stud | 07111A |
| 112 | Stud | 07112A |
| 113 | Stud | 07113A |
| 114 | Spring Washer | 07114A |
| 115 | Screw | 07115A |
| 116 | Drain Plug | 07116A |
| 117 | Securing Peg | 07117A |
| 118 | Compression Spring | 07118A |
| 119 | Ring | 07119A |
| 120 | Drain Plug | 07120A |
| 121 | Stud | 07121A |
| 122 | Dowel | 07122A |
| 123 | Stud | 07123A |
| 124 | Oil Pipe | 07124A |
| 125 | Stud | 07125A |
| 126 | Breather | 07126A |
| 127 | Nut | 07127A |
| 128 | Lock Washer | 07128A |
| 129 | Stud | 07129A |
| 130 | Cover | 07130A |
| 131 | Gasket | 07131A |
| 132 | Gearbox Cover | 07132A |
| 133 | Spring Washer | 07133A |
| 134 | Cylindrical Screw | 07134A |
| 135 | Cylindrical Screw | 07135A |
| 136 | Cylindrical Screw | 07136A |
| 137 | Stud | 07137A |
| 138 | Spring Washer | 07138A |
| 139 | Nut | 07139A |
| 140 | Ring | 07140A |
| 141 | Drain Plug | 07141A |
| 142 | Cylindrical Screw | 07142A |
| 143 | Gasket | 07143A |
| 144 | Rear Cover | 07144A |
| 145 | Oil Pipe | 07145A |
| 146 | Stud | 07146A |
| 147 | Stud | 07147A |
| 148 | Stud | 07148A |
| 149 | Stud | 07149A |
| 150 | Stud | 07150A |

| | | |
|--------------------------|----------------------|--------|
| 151 | Stud | 07151A |
| 152 | Stud | 07152A |
| 153 | Stud | 07153A |
| 154 | Angled Elbow | 07154A |
| 155 | Nut | 07155A |
| 156 | Ring | 07156A |
| 157 | Top Cap | 07157A |
| 158 | Ring | 07158A |
| 159 | Shim | 07159A |
| 160 | Cover Plate | 07160A |
| 161 | Ball | 07161A |
| 162 | Breather Pipe | 07162A |
| 163 | Shim | 07163A |
| 164 | Nut | 07164A |
| 165 | Stud | 07165A |
| 166 | Spring Washer | 07166A |
| INPUT SHAFT GROUP | | |
| 201 | Cylindrical Screw | 07201A |
| 202 | Spring Washer | 07202A |
| 203 | Guiding Tube | 07203A |
| 204 | Shaft Seal | 07204A |
| 205 | Needle Bearing | 07205A |
| 206 | Needle Bearing | 07206A |
| 207 | Circlip | 07207A |
| 208 | Thrust Washer | 07208A |
| 209 | Needle Cage | 07209A |
| 210 | 5th Gear Cpl. | 07210A |
| 211 | Thrust Washer | 07211A |
| 212 | Split Shim | 07212A |
| 213 | Synchro Ring (Steel) | 07213A |
| 214 | Synchro Spring | 07214A |
| 215 | Pressure Piece | 07215A |
| 216 | Synchrombody | 07216A |
| 217 | Sliding Sleeve | 07217A |
| 218 | Needle Cage | 07218A |
| 219 | 4th Gear Cpl. | 07219A |
| 220 | Bearing Bush | 07220A |
| 221 | Needle Cage | 07221A |
| 222 | 3rd Gear Cpl. | 07222A |
| 223 | Thrust Washer | 07223A |
| 224 | Split Shim | 07224A |
| 225 | Synchro Ring (Steel) | 07225A |
| 226 | Synchrombody | 07226A |
| 227 | Sliding Sleeve | 07227A |
| 228 | 2nd Gear Cpl. | 07228A |
| 229 | Input Shaft | 07229A |
| 230 | Dowel | 07230A |
| 231 | Needle Cage | 07231A |



SECTION 7 ILLUSTRATION 12





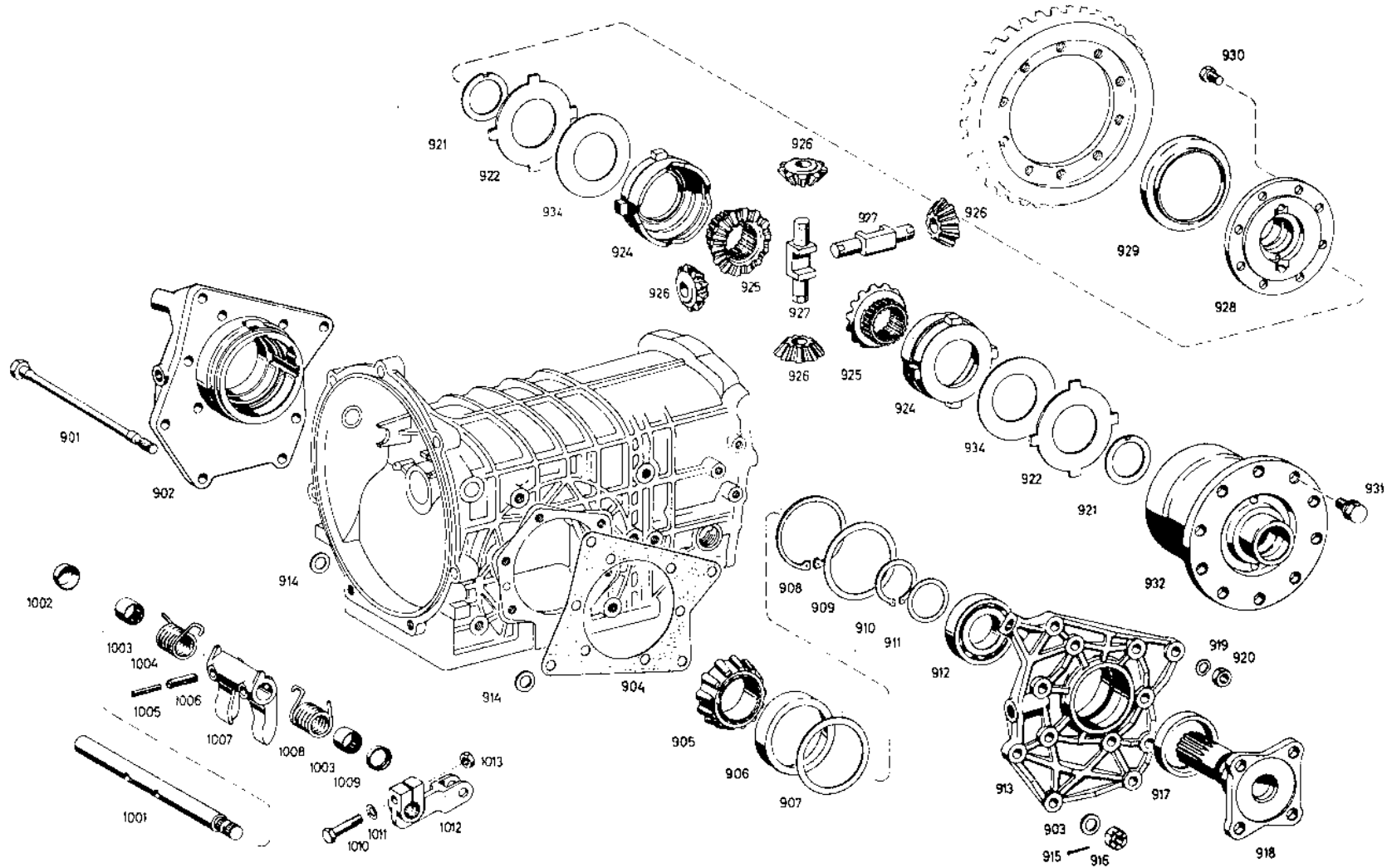
| | | |
|------------------------------------|--------------------------------|--------|
| 232 | Roller Bearing | 07232A |
| 233 | Spring Ring | 07233A |
| 234 | Angular Contact Ball Brg. | 07234A |
| 235 | Shim | 07235A |
| 236 | Nut | 07236A |
| OUTPUT SHAFT GROUP | | |
| 401-402 | Ring & Pinion Ratio 3.56-1 | 07401A |
| 401-402 | Ring & Pinion Ratio 3.78-1 | 07401B |
| 401-402 | Ring & Pinion Ratio 4.00-1 | 07401C |
| 401-402 | Ring & Pinion Ratio 4.22-1 | 07401D |
| 401-402 | Ring & Pinion Ratio 4.62-1 | 07401E |
| 401-402 | Ring & Pinion Ratio 5.25-1 | 07401F |
| 403 | Roller Bearing | 07403A |
| 404 | 5th Gear | 07404A |
| 405 | Speedo Worm | 07405A |
| 406 | 4th Gear | 07406A |
| 407 | 3rd Gear | 07407A |
| 408 | Spacer | 07408A |
| 409 | 2nd Gear | 07409A |
| 410 | Inner Ring | 07410A |
| 411 | Needle Cage | 07411A |
| 412 | Ring | 07412A |
| 413 | 1st Gear | 07413A |
| 414 | Synchro Ring | 07414A |
| 415 | Reverse Gear Sliding Sleeve | 07415A |
| 416 | Synchro Spring | 07416A |
| 417 | Pressure Piece | 07417A |
| 418 | Synchrobody Cpl. | 07418A |
| 419 | Locating Plate | 07419A |
| 420 | Circlip | 07420A |
| 421 | Spring Ring | 07421A |
| 422 | Spacer | 07422A |
| 423 | Angular Contact Ball Brg. | 07423A |
| 424 | Spacer | 07424A |
| 425 | Nut | 07425A |
| REVERSE GEAR ASSEMBLY GROUP | | |
| 501 | Reverse Idler Gear Cpl. | 07501A |
| 502 | Reverse Idler Shaft | 07502A |
| 503 | Dowel | 07503A |
| GEARCHANGE GROUP | | |
| 601 | Nut | 07601A |
| 602 | Spring Washer | 07602A |
| 603 | Stud | 07603A |
| 604 | Mounting Bracket | 07604A |
| 605 | Gasket | 07605A |
| 606 | Ring | 07606A |
| 607 | Interlock Peg | 07607A |
| 608 | V-Ring | 07608A |
| 609 | Shim | 07609A |
| 610 | Compression Spring | 07610A |
| 612 | Gearshift Operating Shaft Cpl. | 07612A |
| 613 | Plug | 07613A |

| | | |
|---------------------------|--------------------------------------|--------|
| 614 | Ring | 07614A |
| 615 | Spring | 07615A |
| 621 | R. Gear Selector Lever Cpl. | 07621A |
| 622 | Detent Bolt | 07622A |
| 623 | Compression Spring | 07623A |
| 624 | Gasket | 07624A |
| 625 | Compression Spring | 07625A |
| 626 | Oil Seal | 07626A |
| 627 | Gearshift Operating Shaft | 07627A |
| 628 | Selector Housing Cpl. | 07628A |
| 629 | Plug | 07629A |
| 630 | Selector Arm | 07630A |
| 631 | Grub Screw | 07631A |
| 632 | Spring Ring | 07632A |
| 633 | Cylindrical Screw | 07633A |
| 634 | Spring Washer | 07634A |
| 635 | Screw | 07635A |
| 636 | Screw | 07636A |
| 637 | Needle Bearing | 07637A |
| 638 | Shaft Seal | 07638A |
| 639 | Selector Finger | 07639A |
| 640 | Nut | 07640A |
| 641 | Selector Cover | 07641A |
| 642 | Spring Washer | 07642A |
| 643 | Screw | 07643A |
| 644 | Screw | 07644A |
| 645 | Screw | 07645A |
| 650 | 4th + 5th Gear Selector Fork | 07650A |
| 651 | Grub Screw | 07651A |
| 652 | 4th + 5th Gear Selector Rail | 07652A |
| 653 | Selector Pad | 07653A |
| 654 | Cylindrical Screw Compression Spring | 07654A |
| 655 | 2nd + 3rd Gear Selector Rail | 07655A |
| 656 | Locking Bar | 07656A |
| 657 | 1st Gear Selector Fork | 07657A |
| 658 | 1st Gear Selector Rail | 07658A |
| 659 | Locking Bar | 07659A |
| 660 | Drain Plug | 07660A |
| SPEEDO DRIVE GROUP | | |
| 801 | Speedo Shaft Type 1 Transaxle | 07801A |
| 801 | Speedo Shaft Type 2 Transaxle | 07801B |
| 802 | Speedo Pinion Bush | 07802A |
| 803 | Shim | 07803A |
| 804 | Screw | 07804A |
| 805 | Ring | 07805A |
| 806 | Shaft Seal | 07806A |



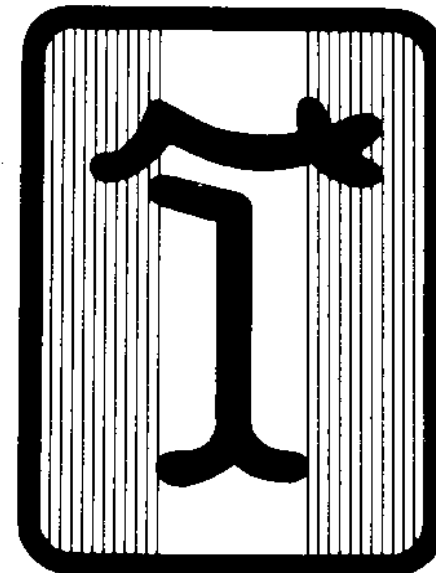
Original DeTomaso Pantera Parts

SECTION 7 ILLUSTRATION 13





| DIFFERENTIAL GROUP | | |
|-------------------------|---------------------------|--------|
| 901 | Tension Bolt | 07901A |
| 902 | Right Flange | 07902A |
| 903 | Shim | 07903A |
| 904 | Gasket | 07904A |
| 905 | Bearing Inner Ring | 07905A |
| 906 | Bearing Outer Ring | 07906A |
| 907 | Fitted Shim | 07907A |
| 908 | Circlip | 07908A |
| 909 | Fitted Shim | 07909A |
| 910 | Circlip | 07910A |
| 911 | Fitted Shim | 07911A |
| 912 | Ball Bearings | 07912A |
| 913 | Left Flange | 07913A |
| 914 | Spacer | 07914A |
| 915 | Split Pin | 07915A |
| 916 | Crown Nut | 07916A |
| 917 | Shaft Seal | 07917A |
| 918 | Output Drive Axle | 07918A |
| 919 | Spring Washer | 07919A |
| 920 | Nut | 07920A |
| 921 | Thrust Washer | 07921A |
| 922 | Outer Disc | 07922A |
| 923 | Inner Disc | 07923A |
| 924 | Pressure Ring | 07924A |
| 925 | Side Gear | 07925A |
| 926 | Pinion Gear | 07926A |
| 927 | Cross Shaft | 07927A |
| 928 | Housing Cover | 07928A |
| 929 | Cap | 07929A |
| 930 | Cylindrical Screw | 07930S |
| 931 | Screw | 07931A |
| 932 | Differential Housing Cpl. | 07932A |
| 934 | Crown Wheel | 07934A |
| CLUTCH WITHDRAWAL GROUP | | |
| 1001 | Clutch Withdrawal Shaft | 07961A |
| 1002 | Cover | 07962A |
| 1003 | Needle Bearing | 07963A |
| 1004 | Return Spring | 07964A |
| 1005 | Roll Pin | 07965A |
| 1006 | Roll Pin | 07966A |
| 1007 | Clutch Withdrawal Fork | 07967A |
| 1008 | Return Spring | 07968A |
| 1009 | Oil Seal | 07969A |
| 1010 | Screw | 07970A |
| 1011 | Spring Washer | 07971A |
| 1012 | Clutch Lever | 07972A |
| 1013 | Nut | 07973A |

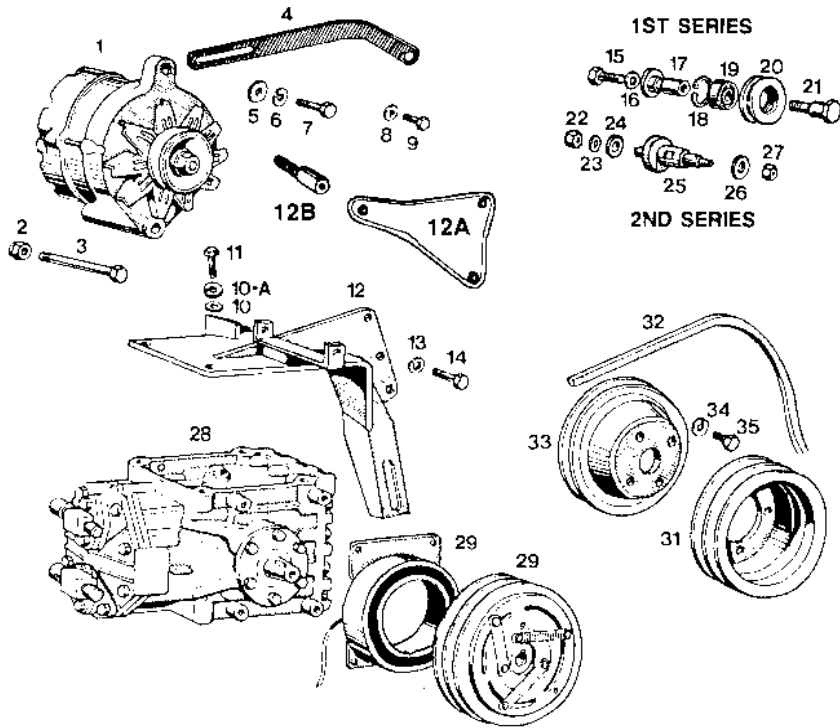




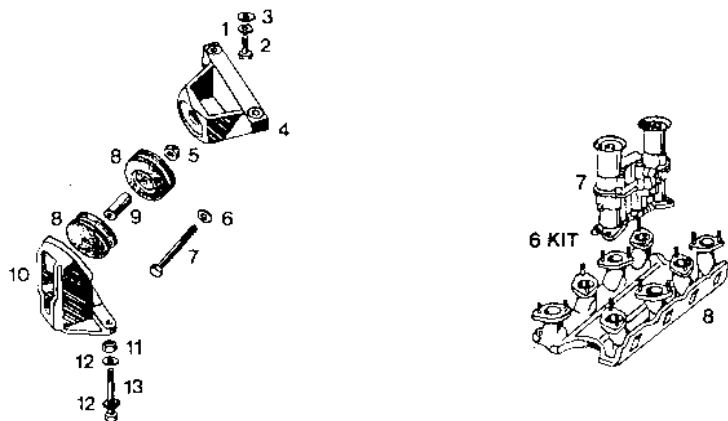
Original DeTomaso Pantera Parts

SECTION 8 ILLUSTRATION 14

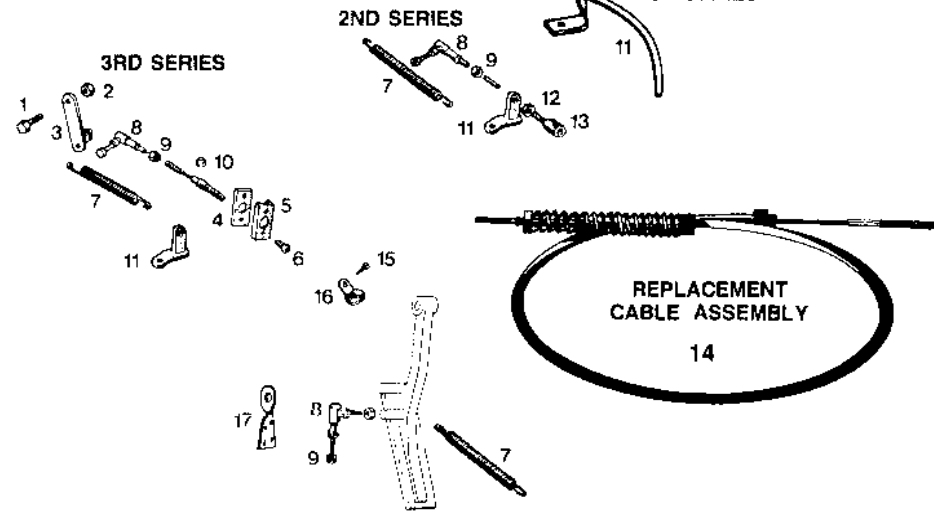
GROUP 1



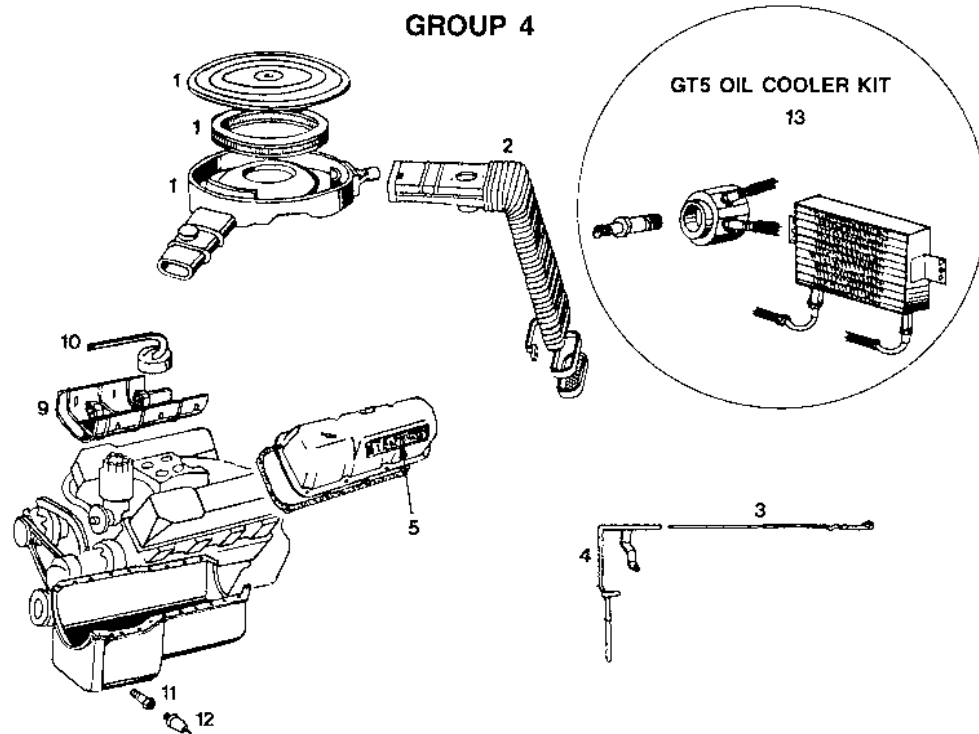
GROUP 2



GROUP 3



GROUP 4



SECTION 8 ILLUSTRATION 14

Original DeTomaso Pantera Parts



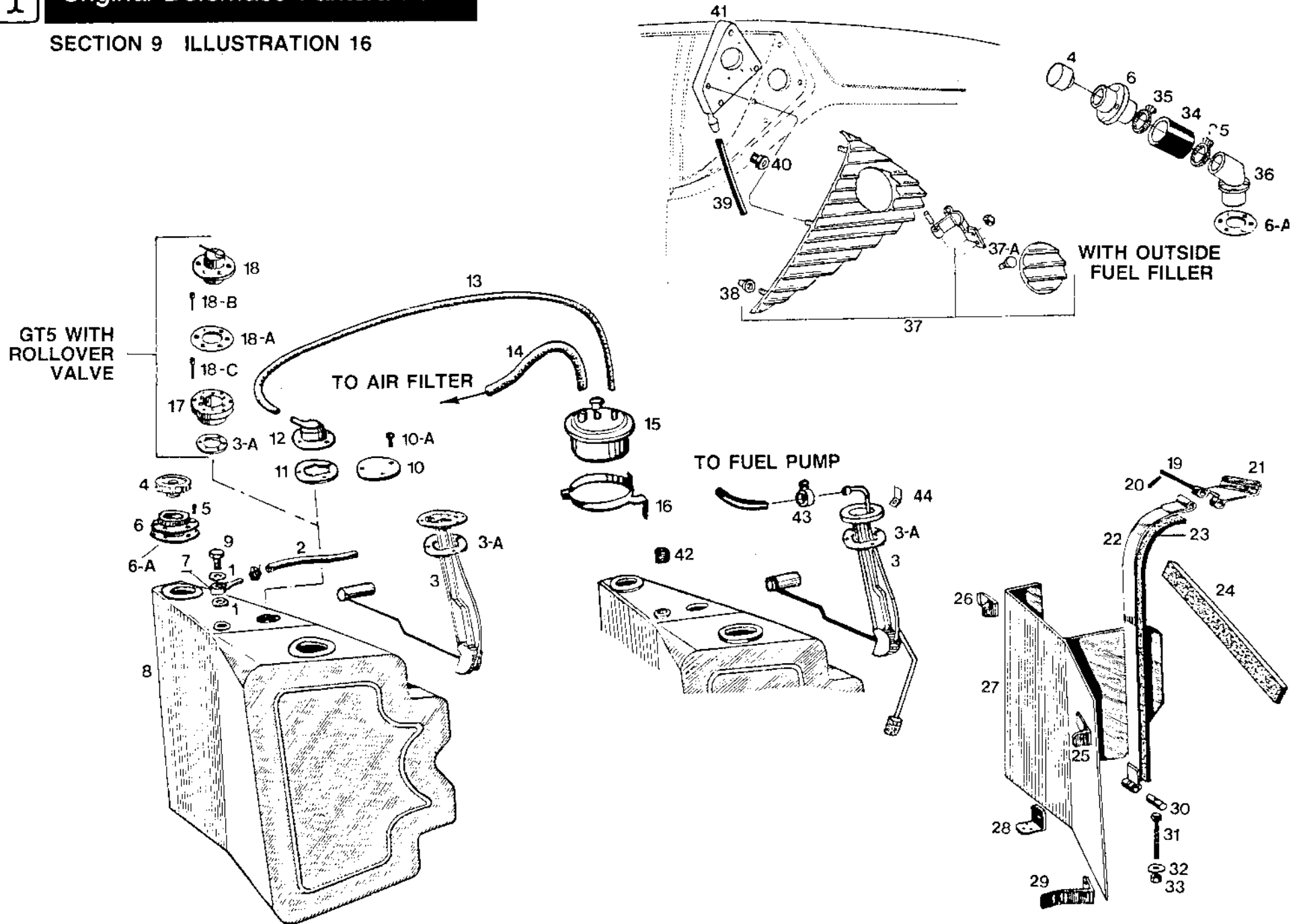
| ILLUSTRATION # | DESCRIPTION | PART # |
|---|---|--------|
| Group 1 Front Engine Drive Accessories | | |
| 1 | Alternator Assembly 61 Amp | 08100A |
| 2 | Nut Alternator Retaining Bolt 7/16 - 20 ELN | 08101A |
| 3 | Bolt Alternator Retaining 7/16 - 20 x 4 SAE | 05015A |
| 4 | Arm Alternator Adjusting | 08102A |
| 4 | Arm Alternator Mounting Used w/Australian Engine | 08102B |
| 5 | Flat Washer 3/8" | 08103A |
| 6 | Lock Washer 3/8" | 08104A |
| 7 | Bolt Arm to Alternator 3/8 x 16 x 1" | 08105A |
| 8 | Lock Washer 3/8" | 08104A |
| 9 | Bolt Arm to Water Pump 3/8" x 16 x 1" | 08106A |
| 10 | Flat Washer 3/8" | 08103A |
| 10A | Lock Washer 3/8" | 08104A |
| 11 | Bolt Compressor to Bracket 3/8 - 16 x 1-1/4 USS | 08107A |
| 12 | Bracket A.C. Compressor Mounting (1st Series) | 08108A |
| 12 | Bracket A.C. Compressor Mounting (2nd Series) | 08108B |
| 12 | Bracket A.C. Compressor Mounting (Used w/Australian Engine) | 08108C |
| 12A | Bracket Alternator Mounting (Used w/Australian Engine) | 08108D |
| 12B | Spacer Alternator Mounting (Used w/Australian Engine) | 08108E |
| 13 | Lock Washer 5/16" | 02099A |
| 14 | Bolt Bracket to Engine 5/16 - 18 x 1-1/4 USS | 08109A |
| 15 | Bolt Idler Pulley Shaft to Bracket M12 x 1.5 x 30mm | 08110A |
| 16 | Flat Washer M12 | 08111A |
| 17 | Shaft Idler Pulley 1st Series | 08112A |
| 18 | Snap Ring | 08113A |
| 19 | Bearing Assembly Air Conditioner Idler | 08114A |
| 20 | Pulley Air Conditioner Idler | 08115A |
| 21 | Bolt Idler Pulley Retaining | 08116A |
| 22 | Nut Idler Pulley Shaft to Bracket M12 x 1.75 | 08117A |
| 23 | Lock Washer M12 | 05023A |
| 24 | Flat Washer M12 | 08118A |
| 25 | Shaft Idler Pulley 2nd Series | 08119A |
| 26 | Flat Washer M12 | 06039A |
| 27 | Nut Idler Pulley Retainer M12 x 1.75 ELN | 02009A |
| 28 | Compressor Assembly Air Conditioner (York Type) | 08120A |
| 29 | Clutch Assembly Air Conditioner Compressor | 08121A |
| 31 | Pulley Crankshaft Outer | 08122A |
| 32 | Bolt Alternator | 08123A |
| 32 | Belt Air Conditioner | 08123B |
| 33 | Pulley Water Pump | 08122B |
| 34 | Lock Washer 5/16" | 02014A |
| 35 | Bolt-Pulley to w/Pump 5/16 - 24 x 3/4 SAE | 08124A |
| Group 2 Engine Mount to Chassis | | |
| 1 | Lock Washer 7/16" | 05021A |
| 2 | Bolt 7/16 - 14 x 1-1/2 USS | 08200A |
| 3 | Flat Washer 7/16" | 01216A |
| 4 | Bracket Engine Mount on Engine L & R | 08201A |
| 5 | Nut Engine Mount Bolt M12 x 1.75 ELN | 02009A |
| 6 | Washer Engine Mount Bolt M12 Flat | 06039A |
| 7 | Bolt Engine Mount Connecting M12 x 1.75 x 90 | 06040A |
| 8 | Insulator Engine Mount | 08202A |
| 9 | Spacer Engine Mount Insulator | 08203A |

| | | |
|--|--|--------|
| 10 | Bracket Engine Mount on Chassis RH | 08204A |
| 10 | Bracket Engine Mount on Chassis LH | 08204B |
| 11 | Nut Engine Bracket on Chassis M12 x 1.75 ELN | 02009A |
| 12 | Flat Washer Engine Mount on Chassis Lower M12 | 08205A |
| 12 | Flat Washer Engine Mount on Chassis Upper M12 | 06039A |
| 13 | Bolt Engine Mount to Chassis M12 x 1.75 x 130mm | 08206A |
| Group 3 Throttle Cable & Brackets | | |
| 1 | Bolt Throttle Arm to Carburetor | 08300A |
| 2 | Nut | 08301A |
| 3 | Arm Throttle Cable to Carburetor Adaptor | 08302A |
| 4 | Seal Cable to Firewall 3rd Series | 08303A |
| 5 | Retainer Throttle Cable Seal to Firewall | 08304A |
| 6 | Screw Retainer to Firewall | 08305A |
| 7 | Spring Throttle and Pedal Return | 01412A |
| 8 | Joint Assembly Throttle Cable End w/Ball & Clip | 08306A |
| 9 | Nut Throttle Cable to Joint M5 x .8 | 09034B |
| 10 | Clip Throttle Cable to Bracket 3rd Series | 08307A |
| 11 | Bracket Throttle Cable to Engine 1st Series | 08308A |
| 11 | Bracket Throttle Cable to Engine 2nd Series with Threaded Hole | 08308B |
| 11 | Bracket Throttle Cable to Engine 3rd Series | 08308C |
| 12 | Nut Jamb Type Fitting to Bracket 2nd Series | 08309A |
| 13 | Fitting Throttle Cable to Bracket 2nd Series | 08310A |
| 14 | Throttle Cable 1st & 2nd Replaced by 3rd Series | 08311A |
| 14 | Throttle Cable Assembly w/Spring 3rd Series | 08311B |
| 14 | Throttle Cable GT5 from #9000 | 08311C |
| 15 | Screw | 08312A |
| 16 | Clamp Throttle Cable to Console | 08313A |
| 17 | Bracket Throttle Cable to Console (Required to Convert 1st & 2nd Series Steel Tube to 3rd Series Flex Cable) | 08314A |
| Group 4 Engine Accessories | | |
| 1 | Air Cleaner Assembly | 08400A |
| 2 | Pickup Tube Fresh Air 1974 Typical | 08401A |
| 3 | Dipstick Engine Oil 3/8 - 5/8" Long | 08402A |
| 4 | Dipstick Tube (Extended Type) | 08403A |
| 5 | Emblem DeTomaso on Valve Cover | 08404A |
| 6 | Kit Webber Carb & Manifold DeTomaso | 08405A |
| 7 | Carburetor Webber | 08406A |
| 8 | Manifold Webber Carburetors | 08407A |
| 9 | Windage Tray Engine Crankshaft | 08408A |
| 10 | Oil Pan w/Pickup Tube 10 Quart | 08409A |
| 11 | Fitting - Oil Temperature Sender | 08410A |
| 12 | Sender - Oil Temperature | 08411A |
| 13 | Oil Cooler Kit - Complete | 08412A |



Original DeTomaso Pantera Parts

SECTION 9 ILLUSTRATION 16



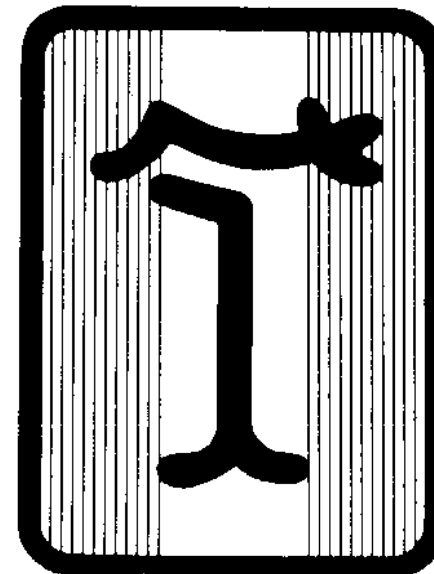
SECTION 9 ILLUSTRATION 16

Original DeTomaso Pantera Parts



| ILLUSTRATION # | DESCRIPTION | PART # |
|----------------|---|--------|
| 1 | Gasket Fuel Pickup Adapter | 09001A |
| 2 | Hose Fuel Tank to Fuel Pump Braided Steel | 09002A |
| 3 | Sending Unit w/o Fuel Pickup (Not Replaced) | |
| 3 | Sending Unit with Fuel Pickup | 09003A |
| 3A | Gasket Sending Unit to Tank | 09004A |
| 4 | Cap Fuel Tank Non-Locking | 09005A |
| 4 | Cap Fuel Tank Locking | 09005B |
| 5 | Bolt Fuel Filler Base to Tank M6 x 1.0 x 16 | 09006A |
| 6 | Base Fuel Filler at Tank & External Fuel Filler | 09007A |
| 6A | Gasket Fuel Filler Base to Tank | 09008A |
| 7 | Fitting Fuel Tank Pickup Tube | 09009A |
| 8 | Tank Assembly Fuel U.S.A. Type 21 Gallon (Requires Sending Unit w/Pickup Tube) Aluminum | 09010A |
| 8 | Fuel Tank GT5 Aluminum Requires Fuel Rollover Valve #17 & 18 | 09010B |
| 9 | Bolt Fuel Pickup Tube Adapter | 09011A |
| 10 | Plate Vapor Separator Block Off | 09012A |
| 10A | Rivet Vapor Separator to Tank | 09013A |
| 11 | Gasket Vapor Separator | 09004B |
| 12 | Separator Fuel Vapor | 09014A |
| 13 | Hose Vapor Separator to Carbon Cannister | 09015A |
| 14 | Hose Carbon Cannister Vent | 09016A |
| 15 | Cannister Assembly Fuel Vapor Storage 71/72 | 09017A |
| 15 | Cannister Assembly Fuel Vapor Storage 73 | 09017B |
| 15 | Cannister Assembly Fuel Vapor Storage 74 | 09017C |
| 16 | Bracket Cannister to Body | 09018A |
| 17 | Adapter Fuel Rollover Valve to Tank GT5 | 09019A |
| 18 | Rollover Valve GT5 | 09020A |
| 18A | Gasket Rollover Valve to Adapter | 09021A |
| 18B | Bolt Rollover Valve to Adapter M5 x .80 x 14 | 09022A |
| 18C | Bolt Adapter to Tank M4 x .70 x 30 Allen Head | 09022B |
| 19 | Pin Fuel Tank Strap to Bracket Upper | 09023A |
| 20 | Retainer Pin to Bracket | 09024A |
| 21 | Bracket Fuel Tank Strap to Body | 09025A |
| 22 | Strap Fuel Tank Retaining | 09026A |
| 23 | Insulator Fuel Tank Strap | 09027A |
| 24 | Insulator Fuel Tank to Body (Thin Style) | 09028A |
| 24 | Insulator Fuel Tank to Body (Thick Style) | 09028B |
| 25 | Fuel Tank Shield Bracket Upper Front | 09029A |
| 26 | Fuel Tank Shield Bracket Upper Rear | 09029B |
| 27 | Shield Fuel Tank | 09030A |
| 27 | Shield Fuel Tank w/External Fuel Filler | 09030B |
| 28 | Fuel Tank Shield Bracket Lower Rear | 09029C |
| 29 | Fuel Tank Shield Bracket Lower Front | 09029D |
| 30 | Pin Fuel Tank Strap Lower | 09031A |
| 31 | Bolt Fuel Tank Strap to Body M6 x 1.0 x 60mm | 09032A |
| 32 | Flat Washer Fuel Tank Strap Bolt M6 | 09033A |
| 33 | Nut Fuel Tank Strap Bolt M6 x 1.0 ELN | 09034A |
| 34 | Hose Fuel Tank to Neck w/External Fuel Filler | 09035A |
| 35 | Clamp Fuel Tank Fill Hose | 09036A |
| 36 | Base Fuel Filler at Tank w/External Fuel Filler--45° | 09037A |
| 37 | Ornament External Fuel Filler w/Trap Door | 09038A |
| 37A | Bumper Fuel Filler Door Stop | 09039A |

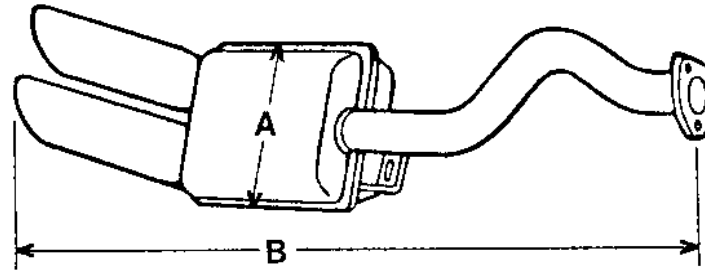
| | | |
|----|---|--------|
| 38 | Retainer Ornament to Body (Plastic) | 09040A |
| 39 | Hose Fuel Overflow w/External Fuel Filler | 09041A |
| 40 | Nut Ornament to Body | 09042A |
| 41 | Housing Fuel Filler Neck to 1/4 Panel | 09043A |
| 42 | Plug Fuel Tank Outlet Line | 09044A |
| 43 | Clamp Fuel Hose | 09045A |
| 44 | Ground Tab | 09046A |





Original DeTomaso Pantera Parts

SECTION 10 ILLUSTRATION 17



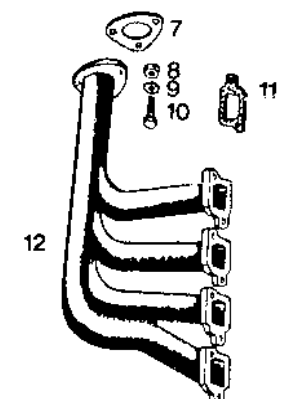
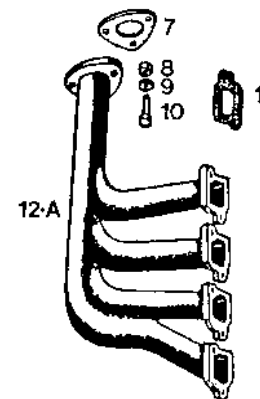
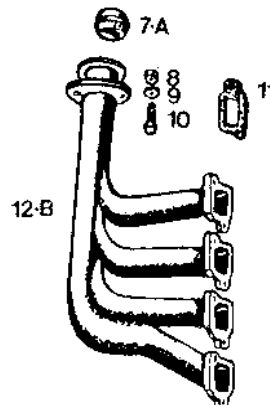
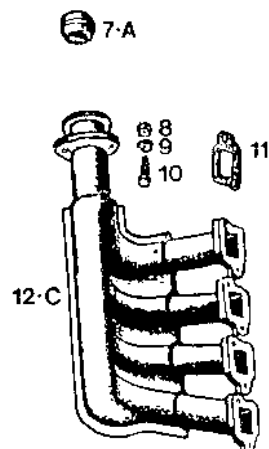
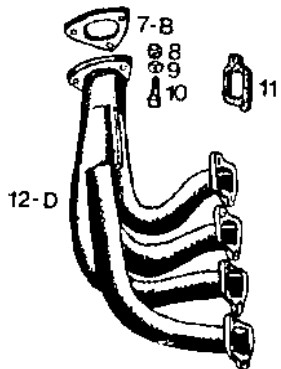
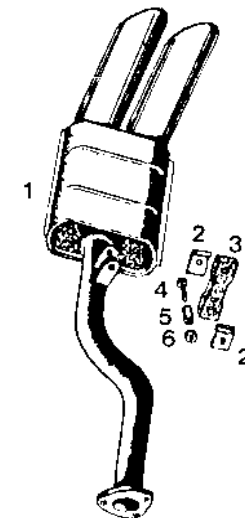
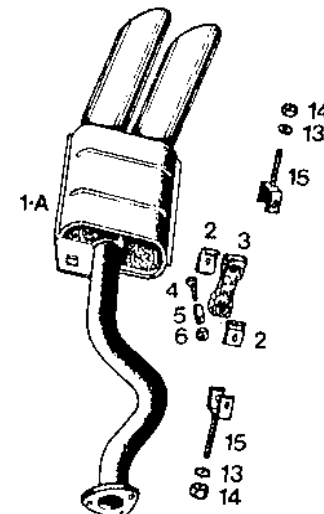
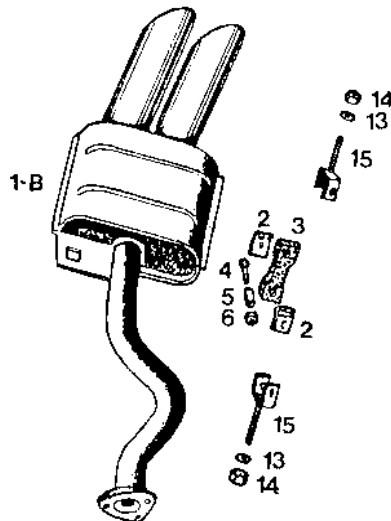
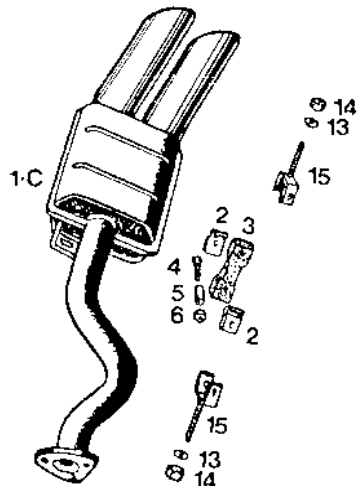
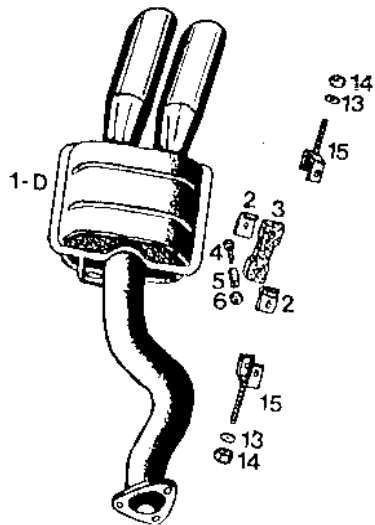
GTS + GT5
EXHAUST

4TH SERIES
ONE PIECE REAR BUMPER

3RD SERIES
TWO PIECE REAR BUMPER

2ND SERIES
TWO PIECE REAR BUMPER

1ST SERIES
TWO PIECE REAR BUMPER



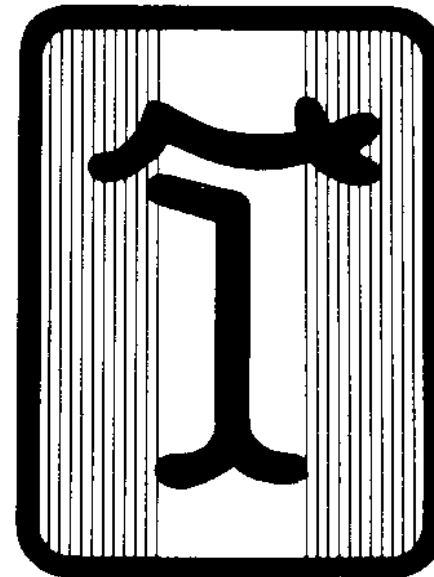
A = 9-7/16
B = 39-13/16

A = 8"
B = 38"

SECTION 10 ILLUSTRATION 17



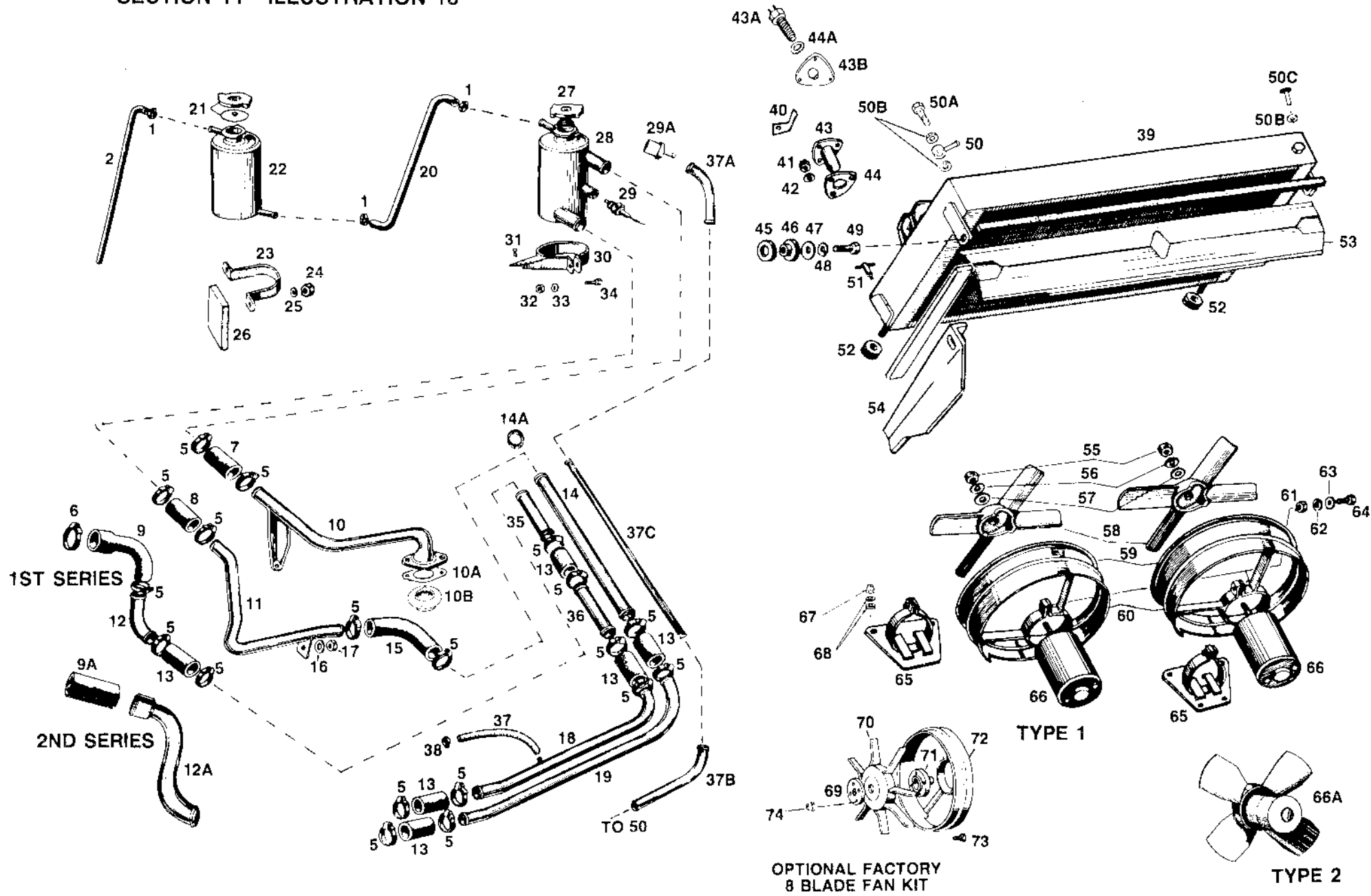
| ILLUSTRATION # | DESCRIPTION | PART # |
|----------------|--|--------|
| 1 | Muffler & Tailpipe RH 1st Series Uses Flat Gasket #7 | 10001A |
| 1 | Muffler & Tailpipe LH 1st Series Uses Flat Gasket #7 | 10002A |
| 1A | Muffler & Tailpipe RH 2nd Series Uses Flat Gasket #7 | 10003A |
| 1A | Muffler & Tailpipe LH 2nd Series Uses Flat Gasket #7 | 10004A |
| 1B | Muffler & Tailpipe RH 3rd Series Uses Donut Gasket #7A | 10005A |
| 1B | Muffler & Tailpipe LH 3rd Series Uses Donut Gasket #7A | 10006A |
| 1C | Muffler & Tailpipe RH 4th Series Uses Donut Gasket #7A | 10007A |
| 1C | Muffler & Tailpipe LH 4th Series Uses Donut Gasket #7A | 10008A |
| 1D | Muffler & Tailpipe RH GTS - GT5 w/Larger O.D. Tailpipe | 10009A |
| 1D | Muffler Group 3 w/o Baffles RH | 10009B |
| 1D | Muffler & Tailpipe LH GTS - GT5 w/Larger O.D. Tailpipe | 10010A |
| 1D | Muffler Group 3 w/o Baffles LH | 10010B |
| NOTE: | Exhaust System w/Catalytic Converter for Emissions See Section 8 Illustration #15 | |
| 2 | Retainer Muffler Support | 10011A |
| 3 | Muffler Support Strap | 10012A |
| 4 | Bolt Muffler Support Strap M8 x 1.25 x 40mm | 10013A |
| 5 | Spacer Muffler Support | 10014A |
| 6 | Nut Muffler Support M8 x 1.25 | 01010A |
| 7 | Gasket Manifold to Tailpipe 2" ID Flat | 10015A |
| 7A | Gasket Manifold to Tailpipe Donut Type | 10015B |
| 7B | Gasket Manifold to Tailpipe 2-7/16" ID Flat | 10015C |
| 8 | Nut Manifold Flange M8 x 1 | 10016A |
| 9 | Lockwasher Manifold Flange M8 | 02014A |
| 10 | Bolt M8 x 1 x 30 | 10017A |
| 11 | Gasket Manifold to Cylinder Head | 10018A |
| 12 | Manifold RH 1st Series | 10019A |
| 12 | Manifold LH 1st Series | 10020A |
| 12A | Manifold RH 2nd Series | 10021A |
| 12A | Manifold LH 2nd Series | 10022A |
| 12B | Manifold RH 3rd Series (Replaced by 4th Series) | |
| 12B | Manifold LH 3rd Series (Replaced by 4th Series) | |
| 12C | Manifold RH 4th Series | 10023A |
| 12C | Manifold LH 4th Series | 10024A |
| 12D | Manifold RH GTS - GT5 | 10025A |
| 12D | Manifold LH GTS - GT5 | 10026A |
| NOTE: | Exhaust System w/Catalytic Converter for Emissions See Section 8 Illustration #15 | |
| 13 | Washer Muffler Support M10 Spring Type | 06050A |
| 14 | Nut Muffler Support Bracket M10 x 1.5 | 01402A |
| 15 | Bracket Muffler Support | 10027A |





Original DeTomaso Pantera Parts

SECTION 11 ILLUSTRATION 18



SECTION 11 ILLUSTRATION 18

Original DeTomaso Pantera Parts



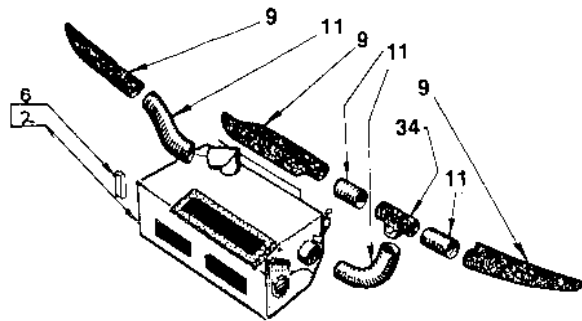
| ILLUSTRATION # | DESCRIPTION | PART # |
|----------------|--|--------|
| 1 | Clamp Overflow Hose | 09045A |
| 2 | Hose Overflow | 11001A |
| 5 | Clamp Radiator Hose | 11002A |
| 6 | Clamp Radiator Hose to Water Pump | 11003A |
| 7 | Hose 1-3/8" x 7-7/8" | 11004A |
| 8 | Hose 1-3/8" x 5-1/2" | 11004B |
| 9 | Hose 90° Water Pump to Pipe 1st Series | 11005A |
| 9A | Hose Straight 1-3/4" x 5" | 11005A |
| 10 | Pipe Thermostat to Pressure Tank w/Bracket | 11007A |
| 10A | Gasket Thermostat to Block | 11008A |
| 10B | Thermostat 180°F | 11009A |
| 10B | Thermostat 192°F | 11009B |
| 11 | Pipe Lower Pressure Tank to Center Tube | 11010A |
| 12 | Pipe Lower Water Pump 1st Series | 11011A |
| 12A | Pipe Lower Water Pump (Fix Type Around Shifter Rod) | 11011B |
| 13 | Hose 1-3/8" x 4" | 11004C |
| 14 | Pipe Center Under Car 61-1/2" Long | 11012A |
| 14A | Grommet Coolant Pipe to Body | 11013A |
| 15 | Hose 90° | 11014A |
| 16 | Washer M8 | 01009A |
| 17 | Nut M8 x 1.25 ELN | 01010A |
| 18 | Pipe Upper Radiator Front | 11015A |
| 19 | Pipe Lower Radiator Front | 11016A |
| 20 | Hose Pressure Tank to Overflow Tank | 11017A |
| 21 | Cap Expansion Tank | 11018A |
| 22 | Tank Expansion | 11019A |
| 23 | Strap Expansion Tank Retaining | 11020A |
| 24 | Nut M6 x 1.0 | 11020B |
| 25 | Flat Washer M6 | 11020C |
| 26 | Pad Expansion Tank Mounting | 11021A |
| 27 | Cap Pressure Tank | 11022A |
| 28 | Tank Pressure | 11023A |
| 29 | Sending Unit Water Temperature | 11024A |
| 29A | Fitting Bleed Hose to Tank 74 Pantera | 11024B |
| 30 | Bracket Pressure Tank Mounting | 11025A |
| 31 | Rivet Bracket to Body (Deleted) Welded M4 | |
| 32 | Nut M6 x 1 ELN | 11026A |
| 33 | Flat Washer M6 | 01312A |
| 34 | Bolt M6 x 1 x 25mm | 01313A |
| 35 | Pipe Center Under Car 25" Long | 11027A |
| 36 | Pipe Center Under Car 37" Long | 11028A |
| 37 | Hose Radiator Bleed Upper Pipe to Radiator 18" | 11029A |
| 37A | Hose Radiator Bleed Pressure Tank to Tube 74 Pantera 44" | 11029B |
| 37B | Hose Radiator Bleed Tube to Radiator 74 Pantera 46" | 11029C |
| 37C | Tube Radiator Bleed Center Under Car from Serial #5899 | 11030A |
| 38 | Clamp Bleed Hose | 09045A |
| 39 | Radiator Assembly | 11031A |
| 39 | Radiator Assembly (w/Screw in Sensors) | 11031B |
| 40 | Tab (Sensor Ground Connector) | 09046A |
| 41 | Nut M4 x .70 | 11032A |
| 42 | Lock Washer M4 | 11032B |
| 43 | Sensor 70°C 158°F Primary Fan (Upper) | 11033A |

| | | |
|-----|--|--------|
| 43 | Sensor 85°C 185°F Secondary Fan (Lower) | 11033B |
| 43A | Sensor 60°C Hexagon Threaded Type | 11033C |
| 43A | Sensor 77°C Hexagon Threaded Type | 11033D |
| 43B | Adaptor (For Sensors #43A to Old Style Radiator) | 11033E |
| 44 | Gasket Sensor to Radiator | 11034A |
| 44A | Gasket (For Hexagon Type Sensor) | 11034B |
| 45 | Grommet Radiator Mounting Side Ring | 11035A |
| 46 | Grommet Radiator Mounting (Step Type w/Sleeve) | 11035B |
| 47 | Flat Washer M8 | 11036A |
| 48 | Lock Washer M8 | 02014A |
| 49 | Bolt M8 x 1.25 x 40mm | 10013A |
| 50 | Fitting (Banjo) Blood Hose to Radiator | 11037A |
| 50A | Bolt (Banjo Fitting) to Radiator | 11038A |
| 50B | Gasket Bleed Bolt & Fitting to Radiator | 11039A |
| 50C | Bleed Screw Thumb Type | 11038B |
| 51 | Drain Valve | 11040A |
| 52 | Grommet Radiator Mounting Lower | 11035C |
| 53 | Deflector Radiator Upper Air w/Seal | 11041A |
| 54 | Deflector Radiator RH w/Seal | 11042A |
| 54 | Deflector Radiator LH w/Seal | 11043A |
| 55 | Nut Fan to Motor 1/4 - 28 ELN | 03021A |
| 56 | Lock Washer (Deleted) | |
| 57 | Flat Washer 1/4" | 03021B |
| 58 | Fan 4 Blade Plastic Type 1 | 11044A |
| 59 | Gasket Fan Shroud to Radiator | 11045A |
| 60 | Shroud Assembly w/4 Blade Fan Type 1 | 11046A |
| 61 | Nut Fan Shroud to Motor M6 x 1 | 09034A |
| 62 | Lock Washer M6 | 01012A |
| 63 | Flat Washer M6 | 01312A |
| 64 | Bolt M6 x 1 x 20mm | 11047A |
| 65 | Bracket Fan Mounting w/4 Blade Fan Type 1 | 11048A |
| 65 | Bracket Fan Mounting w/Type 2 Fan Motor Assembly GT5 | 11048B |
| 66 | Fan Motor Type 1 | 11049A |
| 66A | Motor & Fan Assembly GT5 Type 2 Complete | 11049B |
| 67 | Nut M5 x .8 ELN | 09034B |
| 68 | Grommet & Washer Fan Mounting Bracket to Body | 11050A |
| 69 | Spacer Fan Mounting—8 Blade | 11051A |
| 70 | Fan—8 Blade | 11052A |
| 71 | Hub Fan to Motor—8 Blade | 11053A |
| 72 | Shroud Assembly—8 Blade Fan | 11054A |
| 73 | Bolt-Fan Hub M6 x 1 x 12mm | 20224A |
| 74 | Nut-Fan Hub M6 x 1 ELN | 11026A |

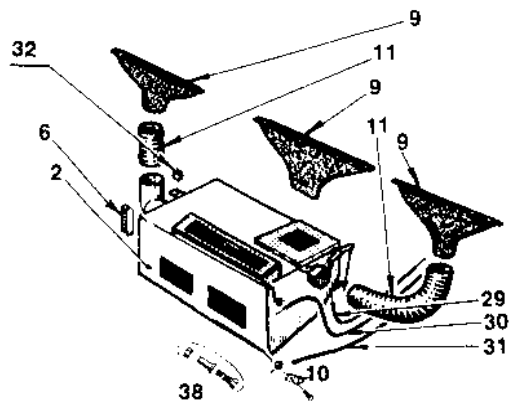


Original DeTomaso Pantera Parts

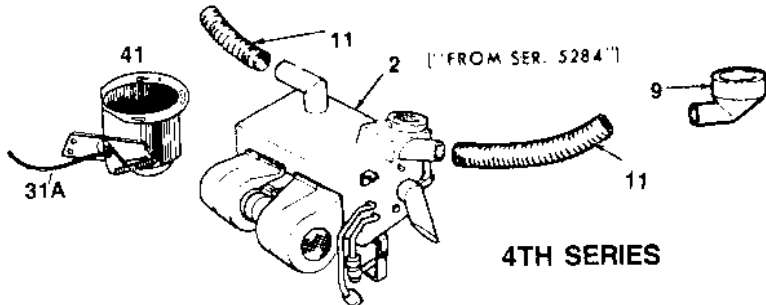
SECTION 12 ILLUSTRATION 19



1ST SERIES

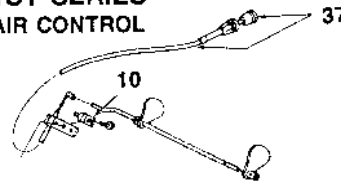


2ND SERIES

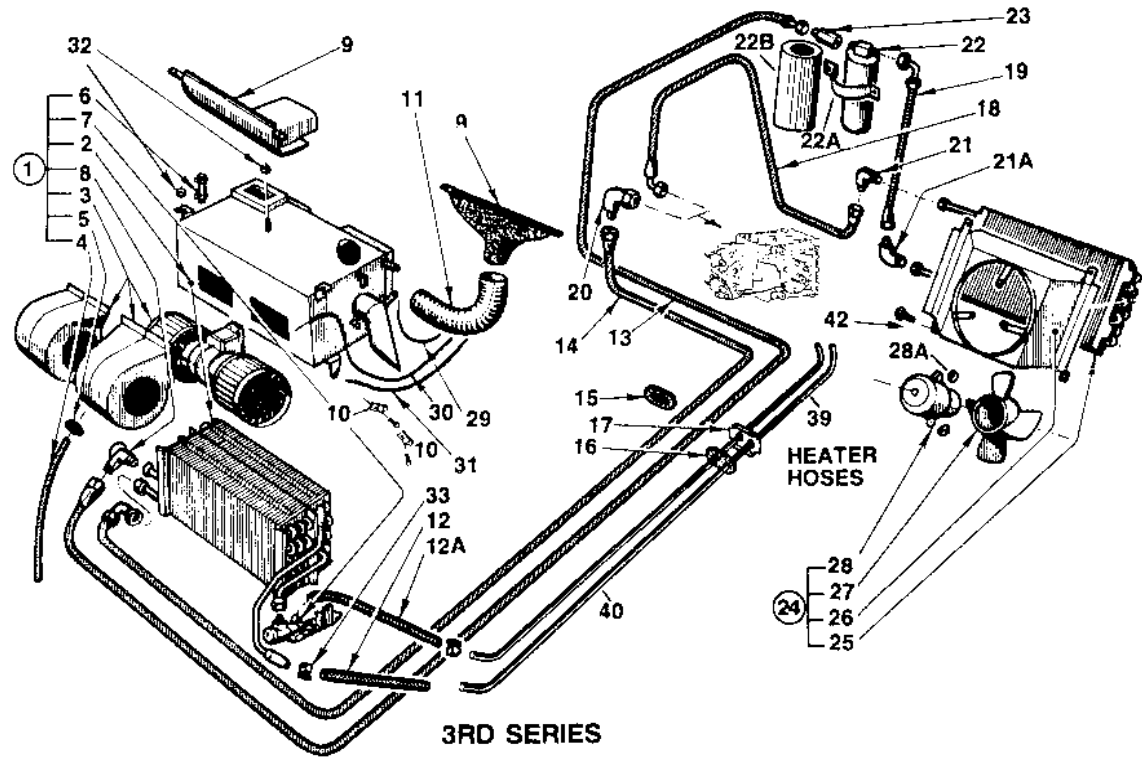
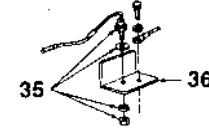


4TH SERIES

1ST SERIES
AIR CONTROL



1ST SERIES
DIODE AND MOUNTING



3RD SERIES

HEATER
HOSES

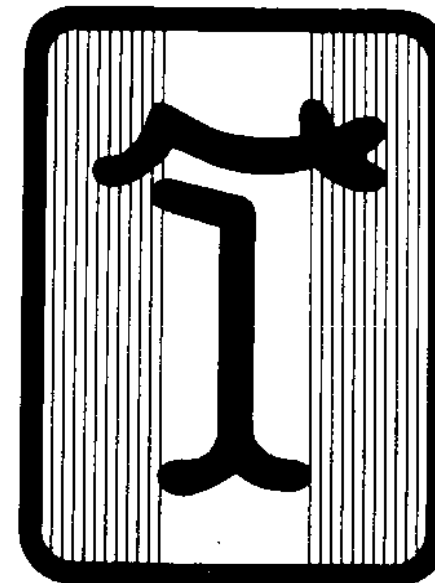
SECTION 12 ILLUSTRATION 19

Original DeTomaso Pantera Parts



| ILLUSTRATION # | DESCRIPTION | PART # |
|----------------|---|--------|
| 1 | A.C. Evaporator & Heater Assembly w/Motor 1st Series | 12001A |
| 1 | A.C. Evaporator & Heater Assembly w/Motor 2nd Series | 12001B |
| 1 | A.C. Evaporator & Heater Assembly w/Motor 3rd Series | 12001C |
| 1 | A.C. Evaporator & Heater Assembly w/Motor 4th Series | 12001D |
| 2 | Core Assembly Air Conditioner Evaporator w/3 Center Air Vents | 12002A |
| 2 | Core Assembly Air Conditioner Evaporator w/2 Center Air Vents | 12002B |
| 3 | Blower Motor Assembly w/Housing 1st 2nd 3rd Series | 12003A |
| 3 | Blower Motor Assembly w/Housing 4th Series | 12003B |
| 4 | Hose Air Conditioner Evaporator Drain | 12004A |
| 5 | Grommet AC Drain Hose at Floor | 12005A |
| 6 | Resistor Blower Motor Before #5285 | 12006A |
| 6 | Resistor Blower Motor After #5285 | 12006B |
| 7 | Valve Heater Hot Water | 12007A |
| 8 | Valve Assembly Air Conditioner Expansion | 12008A |
| 9 | Defroster Air Outlet Lower 1st Series RH | 12009A |
| 9 | Defroster Air Outlet Lower 1st Series LH | 12009B |
| 9 | Defroster Air Outlet Lower 1st Series Center | 12009C |
| 9 | Defroster Air Outlet Lower LH & RH 2nd Series | 12009D |
| 9 | Defroster Air Outlet Lower Center 2nd Series | 12009E |
| 9 | Defroster Air Outlet Lower LH 3rd Series | 12009F |
| 9 | Defroster Air Outlet Lower RH 3rd Series | 12009G |
| 9 | Defroster Air Outlet Lower 45° 4th Series | 12009H |
| 9 | Defroster Air Outlet Lower RH 90° 4th Series | 12009I |
| 10 | Clip Heater Cable Retaining | 12010A |
| 11 | Hose Defroster (Per Foot) | 12011A |
| 12 | Hose Heater Underdash (Heater Core to Tube) | 12012A |
| 12A | Hose Heater Under Dash (Hot Water Valve to Tube) | 12012B |
| 13 | Hose Air Conditioner (Drier to Evaporator) | 12013A |
| 14 | Hose Air Conditioner (Compressor to Evaporator) | 12014A |
| 15 | Grommet Air Conditioner Hoses to Firewall | 12015A |
| 16 | Insulation Heater Tubes at Body | 12016A |
| 17 | Retainer Heater Tubes at Body | 12017A |
| 18 | Hose Air Conditioner (Compressor to Condenser) | 12018A |
| 19 | Hose Air Conditioner (Drier to Condenser) | 12019A |
| 20 | Fitting 90° Compressor to Hose (1st Series) | 12020A |
| 21 | Fitting AC Pressure Hose to Condenser (1st Series) | 12020B |
| 22 | Drier Assembly Air Conditioner | 12021A |
| 22A | Bracket AC Drier Retaining | 12021B |
| 22B | Insulator AC Drier to Bracket (Foam) | 12021C |
| 23 | Valve Assembly AC Drier | 12022A |
| 24 | Condenser Assembly w/Motor 1st & 2nd Series | 12023A |
| 24 | Condenser Assembly w/Motor 3rd & 4th Series | 12023B |
| 25 | Condenser Core Before #1910 1st & 2nd Series | 12024A |
| 25 | Condenser Core After #1910 3rd & 4th Series | 12024B |
| 26 | Shroud AC Condenser 1st Series R/B 2nd Series | 12025A |
| 26 | Shroud AC Condenser 2nd Series | 12025B |
| 26 | Shroud AC Condenser 3rd Series R/B 4th Series | 12025C |
| 26 | Shroud AC Condenser 4th Series | 12025D |
| 27 | Fan AC Condenser | 12026A |
| 28 | Motor Assembly AC Condenser w/Fan All Series | 12027A |
| 28A | Spacer AC Condenser Motor to Bracket | 12028A |
| 29 | Cable Assembly Defroster | 12029A |

| | | |
|-----|---|--------|
| 30 | Cable Assembly Floor/Dash Door | 12030A |
| 31 | Cable Assembly Heater Hot Water | 12031A |
| 31A | Cable Assembly Fresh Air Pickup Duct 4th Series | 12031B |
| 32 | Nut AC Evaporator to Dash M6 x 1.0 | 11020B |
| 33 | Clamp Heater Hose | 01344A |
| 34 | Defroster Hose "T" 1st Series | 12009J |
| 35 | Switch AC "De Ice" 1st & 2nd Series | 12032A |
| 36 | Bracket AC Switch to Condenser | 12033A |
| 37 | Cable & Knob Cowl Vent Air 1st Series | 12034A |
| 38 | Bolt Sleeve & Nut (Cable End Pivot) | 12035A |
| 39 | Hose (Heater) Engine to Body w/90° | 12036A |
| 40 | Tube Heater Hot Water (Fabricate) | 12037A |
| 41 | Valve Fresh Air Pickup to Evaporator (4th Series) | 12038A |
| 42 | Bolt-Condenser Fan Shroud to Body M6 x 20mm | 12039A |

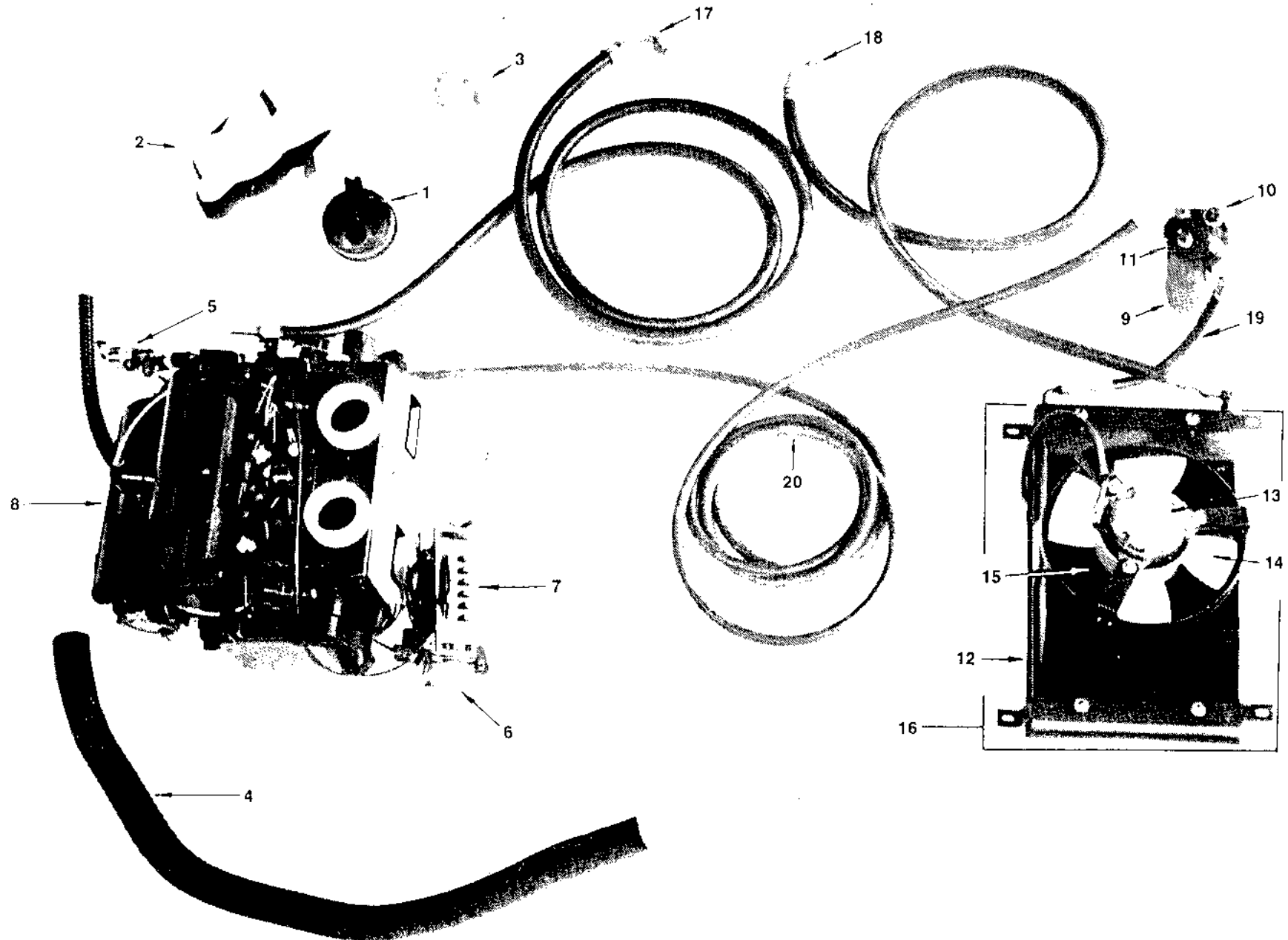




Original DeTomaso Pantera Parts

SECTION 12 ILLUSTRATION 20

21



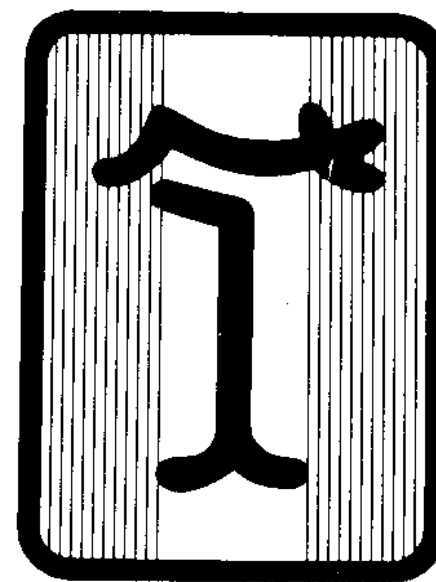
SECTION 12 ILLUSTRATION 20

Original DeTomaso Pantera Parts



| ILLUSTRATION # | DESCRIPTION | PART # |
|----------------|---|--------|
| 1 | Vacuum Reservoir | 12100A |
| 2 | Insulation Expansion Valve | 12101A |
| 3 | Insulation (Foam Type) | 12102A |
| 4 | Defroster Hose 40mm | 12011B |
| 5 | Valve Assembly Heater Hot Water (Vacuum Operated) | 12077B |
| 6 | Switch Air Conditioner Thermostat | 14016F |
| 7 | Control Assembly Heater & Air Conditioner Complete | 14019E |
| 7 | Control Assembly Heater & Air Conditioner w/o A.C. Temp. Switch | 14019F |
| 8 | Evaporator Case Assembly w/Blower Motor | 12001E |
| 9 | Drier Assembly Air Conditioner w/Sensors | 12021B |
| 10 | Sensor Low Pressure | 12103A |
| 11 | Sensor High Pressure | 12103B |
| 12 | Shroud Air Conditioner Condensor | 12025E |
| 13 | Motor Condensor Fan | 12027B |
| 14 | Fan Assembly Air Conditioner Condensor | 12026B |
| 15 | Condensor Core Assembly | 12024C |
| 16 | Condensor Assembly Complete w/Motor | 12023C |
| 17 | Hose Air Conditioner Compressor to Evaporator | 12014B |
| 18 | Hose Air Conditioner Compressor to Condensor | 12018B |
| 19 | Hose Air Conditioner Drier to Condensor | 12019C |
| 20 | Hose Air Conditioner Drier to Evaporator | 12013B |
| 21 | Air Conditioner Assembly Complete #1-20 | 12104A |

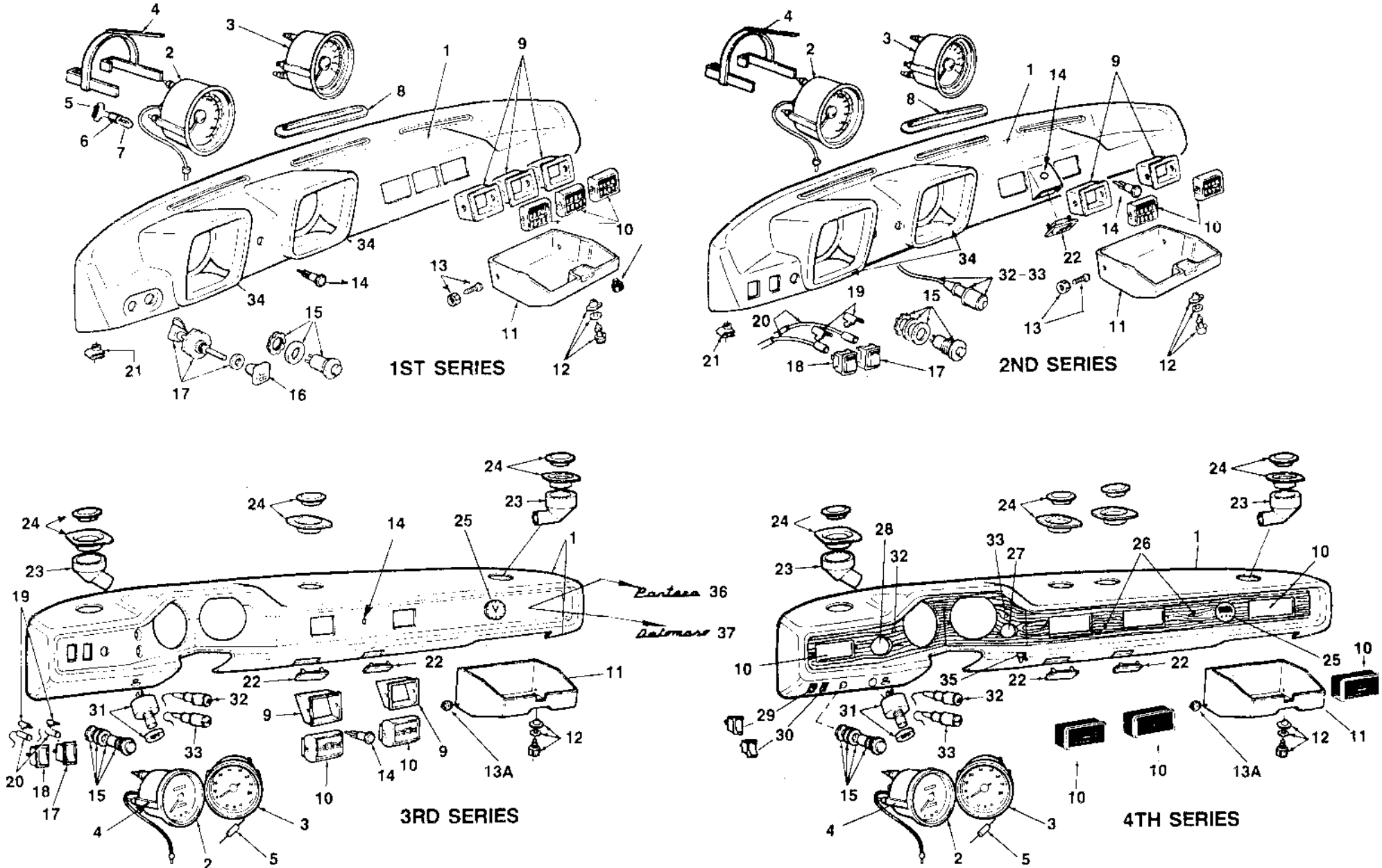
NOTE: Heater Blower Motor Serviced Only as #8 Assembly.





Original DeTomaso Pantera Parts

SECTION 13 ILLUSTRATION 21



SECTION 13 ILLUSTRATION 21

Original DeTomaso Pantera Parts



| ILLUSTRATION # | DESCRIPTION | PART # |
|----------------|---|--------|
| 1 | Instrument Panel 1st Series w/3 Center Outlets | 13001A |
| 1 | Instrument Panel 2nd Series w/2 Center Outlets | 13001B |
| 1 | Instrument Panel 3rd Series Original Simulated Leather | 13001C |
| 1 | Instrument Panel 3rd Series Leather Covered | 13001D |
| 1 | Instrument Panel 3rd Series Leather w/Wood | 13001E |
| 1 | Instrument Panel 3rd Series Leather w/Wood & Gauges | 13001F |
| NOTE: | Specify Interior Color: Choice A-White, B-Cream, C-Beige, D-Saddle, E-Brown, F-Burgundy, G-Blue, H-Black, I-Grey. Recommend all Light Color Dashes to have Dark Top to Prevent Glare from Windshield | |
| 1 | Instrument Panel GT5 w/4 AC Outlets Leather | 13001G |
| 1 | Instrument Panel GT5 w/4 AC Outlets Leather w/Wood | 13001H |
| 1 | Instrument Panel GT5 w/4 AC Outlets Leather w/Wood w/Gauges | 13001I |
| 2 | Speedometer M.P.H. (ID. 1200 Rev = 1 Mile) | 13002A |
| 2 | Speedometer M.P.H. (ID. 1610 Rev = 1 Mile) | 13002B |
| 2 | Speedometer Kilometer & M.P.H. (ID. 1 Rev = 1.36M) | 13002C |
| 2 | Speedometer Kilometer & M.P.H. (ID. 1 Rev = 1.33M) | 13002D |
| 3 | Tachometer | 13003A |
| 4 | Retainer Speedometer & Tach to Dash 1st & 2nd Series | 13004A |
| 4 | Retainer Speedometer & Tach to Dash 3rd & 4th Series | 13004B |
| 5 | Resistor Alternator Charging (On Alt. Bulb Socket) | 13005A |
| 6 | Socket Instrument Gauges Single Terminal (Illumination) | 13006A |
| 6 | Socket Instrument Gauges Dual Terminal (Illumination) | 13006B |
| 7 | Bulb 3W Instrument Gauges | 13007A |
| 8 | Defroster Outlet Bezel 1st & 2nd Series | 13008A |
| 9 | Housing A/C Register to Dash 1st & 2nd Series | 13009A |
| 9 | Housing A/C Register to Dash 3rd Series (Plastic) | 13009B |
| 10 | Register A/C & Heater 1st, 2nd & 3rd Series | 13010A |
| 10 | Register A/C & Heater 4th Series | 13010B |
| 11 | Glove Box 1st Series Before Serial #1286 | 13011A |
| 11 | Glove Box 2nd Series from #1286 to #5284 | 13011B |
| 11 | Glove Box 3rd & 4th Series | 13011C |
| 12 | Latch & Knob Assembly Glove Box | 13012A |
| 13 | Hinge Kit Glove Box Door 1st & 2nd Series | 13013A |
| 13A | Bushing Glove Box 3rd & 4th Series | 13013B |
| 14 | Light Assembly Seat Belt Warning (Fasten Seat Belts) | 13014A |
| 14A | Bulb Seat Belt Warning Light | 13014B |
| 15 | Switch Emergency Flasher (Replaces 1st Series Switch Before Body Service #50220) | 13015A |
| 15A | Bulb Emergency Flasher Indicator | 13014B |
| 16 | Knob (Wipe & Wash) 1st Series | 13016A |
| 17 | Switch (Wiper & Wash) Turn Style | 13017A |
| 17 | Switch Wiper (Rocker Style) Chrome Bezel | 13017B |
| 17 | Switch Wiper w/Symbol Black Bezel | 13017C |
| 18 | Switch Windshield Washer Chrome Bezel (Wash) | 13018A |
| 18 | Switch Windshield Washer Black Bezel (w/Symbol) | 13018B |
| 19 | Retainer Light Socket to Wiper and Wash Switch | 13019A |
| 20 | Socket & Wire Windshield Wiper & Wash Switch | 13020A |
| 20A | Bulb Wipe & Wash Switch 2W | 13020B |
| 21 | Clip Instrument Panel to Dash | 13021A |
| 22 | Lamp Assembly Console Illumination | 13022A |
| 22A | Bulb Console Illumination Lamp 3W Green Tint | 13022B |

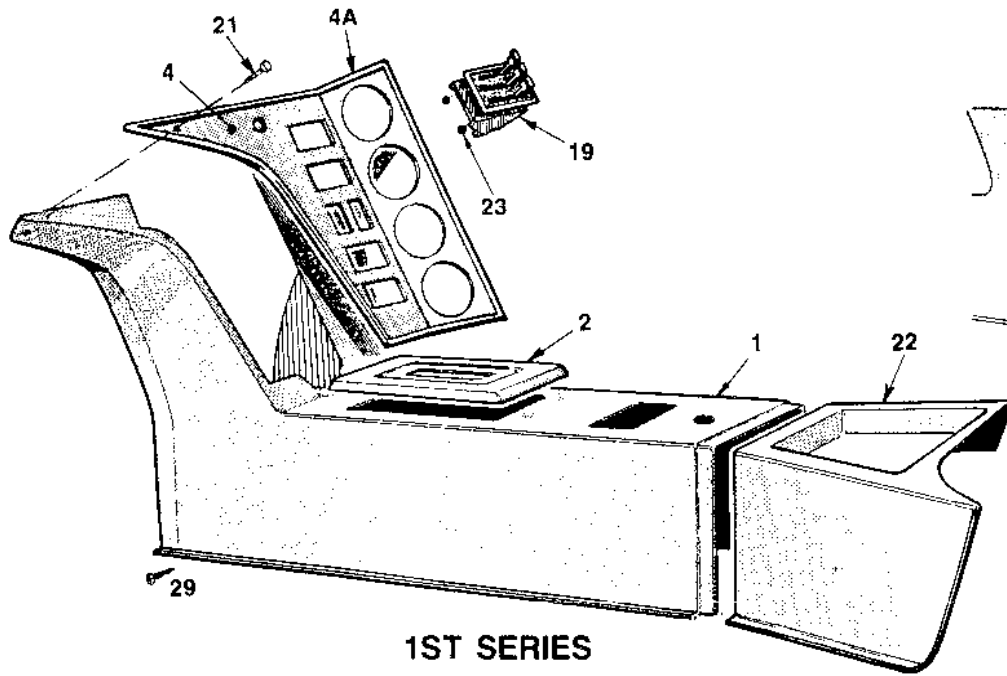
| | | |
|-----|--|--------|
| 23 | Defroster Air Outlet Lower 45° | 12009H |
| 23 | Defroster Air Outlet Lower 90° | 12009I |
| 24 | Defroster Nozzle w/Flaps (Upper) | 13023A |
| 24 | Defroster Nozzle Retainer to Dash | 13023B |
| 24A | Defroster Nozzle w/Flaps Center GT5 w/4 Upper Outlets | 13023C |
| 25 | Clock 74 GTS (Replaced by Below) | 14009D |
| 25 | Clock 84 GT5 Digital | 14009E |
| 26 | Wood Insert 3rd Series w/o Gauge Openings (See Note A) | 13024A |
| 26 | Wood Insert 3rd Series w/Gauge Openings (See Note A) | 13024B |
| 26 | Wood Insert 4th Series w/o Gauge Openings (See Note A) | 13024C |
| 26 | Wood Insert 4th Series w/Gauge Openings (See Note A) | 13024D |
| 27 | Gauge Oil Pressure (Oil and Oil) | 14009B |
| 28 | Gauge Oil Temperature (Oil F.) Chrome Bezel | 14009F |
| 28 | Gauge Oil Temperature (Oil F.) Black Bezel | 14009G |
| 29 | Switch Rear Fog Lamp (Yellow) | 13025A |
| 30 | Switch Front Driving Lights (Green) | 13026A |
| 31 | Rheostat Dash Lights | 13027A |
| 32 | Lamp Assembly Emergency Brake Warning (Red) | 13028A |
| 32 | Lamp Assembly Emergency Brake Warning (Red) w/o Chrome Bezel GT5 | 13028C |
| 32A | Bulb Emergency Brake Warning Light | 13028B |
| 33 | Lamp Assembly Brake Pad & Fluid Level (Amber) | 13029A |
| 33 | Lamp Assembly Brake Pad & Fluid Level (Amber) w/o Chrome Bezel GT5 | 13029B |
| 33A | Bulb Brake Pad Wear Indicator | 13029B |
| 34 | Housing Tachometer & Speedometer Black Plastic | 13030A |
| 35 | Switch Electric Mirrors 4th Series | 13031A |
| 36 | Pantera Script for Dash | 13032A |
| 37 | DeTomaso Script for Dash | 13033A |

NOTE A: 3rd & 4th Series Dash w/o Wood Insert Specify Serial # and Interior Color Code Shown Above. Leather Insert #26 Available Special Order Only.

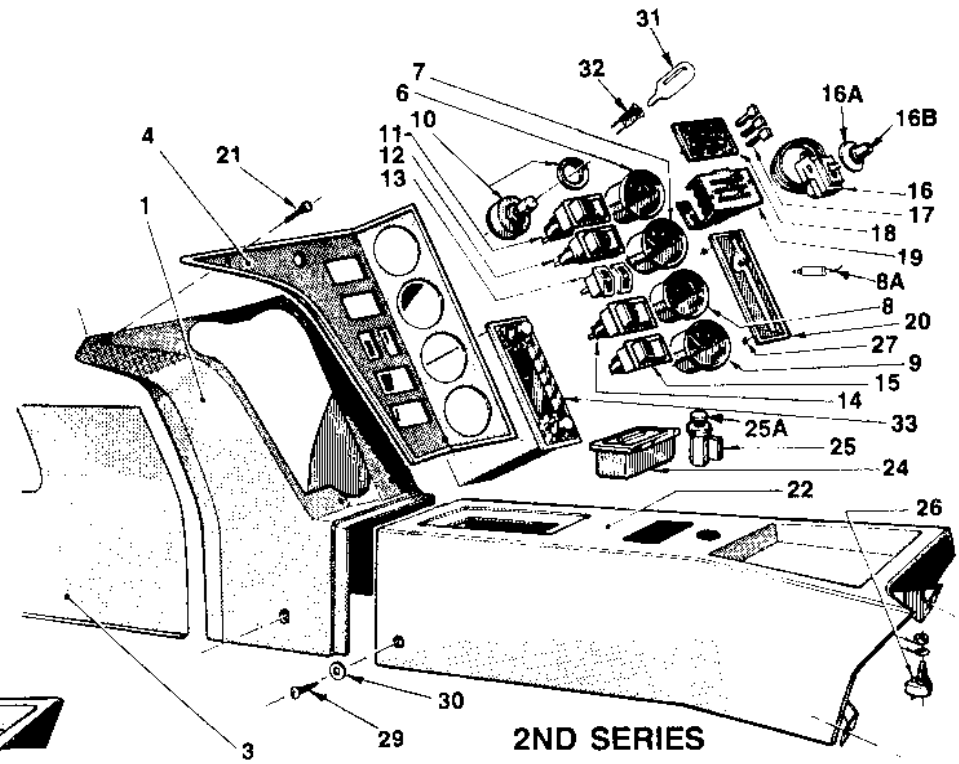


Original DeTomaso Pantera Parts

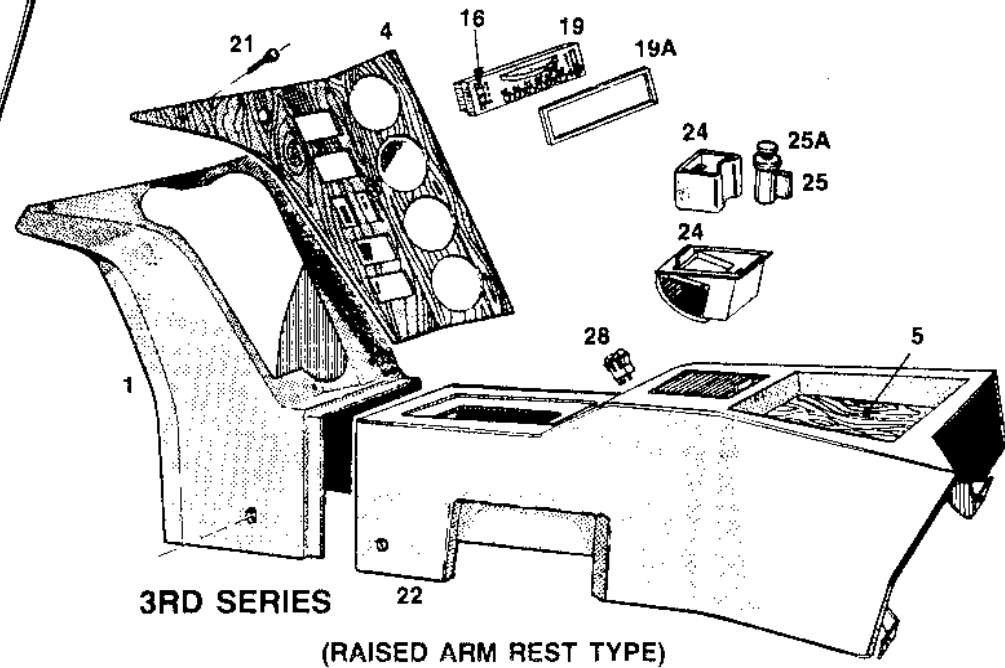
SECTION 14 ILLUSTRATION 22



1ST SERIES



2ND SERIES



3RD SERIES

(RAISED ARM REST TYPE)

SECTION 14 ILLUSTRATION 22

| ILLUSTRATION # | DESCRIPTION | PART # |
|----------------|--|--------|
| 1 | Console Front Section 1st Series | 14007A |
| 1 | Console Front Section 2nd Series | 14007B |
| 1 | Console Front Section 2nd Series w/Leather | 14007C |
| 1 | Console Front Section Leather GT5 w/vacuum Heater | 14007D |
| 1 | Console Front Section Leather GT5 w/Vacuum Heater | 14007E |
| 2 | Trim Shift Gate to Console | 14007A |
| 3 | Kick Panel RH 1st Series Black Plastic | 14003A |
| 3 | Kick Panel LH 1st Series Black Plastic | 14003B |
| 3 | Kick Panel RH 2nd Series Black Plastic | 14003C |
| 3 | Kick Panel LH 2nd Series Black Plastic | 14003D |
| 3 | Kick Panel RH 3rd Series w/Leather | 14003E |
| 3 | Kick Panel LH 3rd Series w/Leather | 14003F |
| 4 | Gauge Panel 1st Series Before #1285 | 14004A |
| 4 | Gauge Panel 1st Series #1285 to #1524 | 14004B |
| 4 | Gauge Panel 2nd Series after #5284 w/Leather Chrome Bezel (RR) # 4004D | 14004C |
| 4 | Gauge Panel 2nd Series w/o Chrome Plastic | 14004D |
| 4 | Gauge Panel GT5 3rd Series w/o Wood | 14004E |
| 4 | Gauge Panel GT5 3rd Series w/Wood | 14004F |
| 4A | Bezel Gauge Panel Chrome Trim 1st Series | 14004G |
| 5 | Wood Inset GT5 3rd Series | 14005A |
| 6 | Ammeter Chrome Bezel (Amps) 75A | 14006A |
| 6 | Ammeter Black Bezel (Amps) 50A | 14006B |
| 6 | Ammeter Black Bezel (Amps) 30A | 14006C |
| 7 | Gauge Fuel Chrome Beze (Fuel) | 14007A |
| 7 | Gauge Fuel Chrome Bezel (Fuel & Benzina) | 14007B |
| 7 | Gauge Fuel Back Bezel (Fuel) | 14007C |
| 7 | Gauge Fuel Back Bezel (Benzina) | 14007D |
| 8 | Gauge Water Temperature 230° (Water °F) Chrome Bezel | 14008A |
| 8 | Gauge Water Temperature 260° (Water °F) Chrome Bezel | 14008B |
| 8 | Gauge Water Temperature 230° (Acqua °C) Water °F) Chrome Bezel | 14008C |
| 8 | Gauge Water Temperature 230° (Water °F) Black Bezel | 14008D |
| 8 | Gauge Water Temperature 110°C (Acqua °C) Black Bezel | 14008E |
| 8A | Resistor Temperature Gauge Use with 260° Gauge | 14008F |
| 9 | Gauge Oil Pressure 100 & 120 lbs Chrome Bezel | 14009A |
| 9 | Gauge Oil Pressure 100 & 120 Chrome Bezel | 14009B |
| 9 | Gauge Oil Pressure 100 & 120 Pressure Black Bezel | 14009C |
| 9 | Gauge GT5 Digital w/Optional Gauge Package | 14009E |
| 10 | Recessed Dash Lights | 14009A |
| 11 | Switch Headlights w/Symbol Chrome Bezel | 14019A |
| 11 | Switch Headlights (Lights) Chrome Bezel | 14019B |
| 11 | Switch Headlights w/Symbol GT5 Black Bezel | 14019C |
| 12 | Switch Cooling Fan - Position Below #2787 Chrome Bezel | 14019A |
| 12 | Switch Heater Fan w/Symbol Chrome Bezel | 14019A |
| 12 | Switch Heater Fan (Fan-Off-H) Chrome Bezel | 14019B |
| 12 | Switch Heater w/Symbol Black Bezel | 14019C |
| 12 | Switch Rear Glass Heater GT5 Black Bezel | 14019D |
| 12 | Switch Power Window | 14019A |
| 13 | Switch Power Window GT5 (Black Bezel) | 14019B |
| 14 | Switch Heater Fan w/Symbol 1st Series Chrome Bezel | 14019A |
| 14 | Switch Courtesy w/Symbol Chrome Bezel | 14019A |
| 14 | Switch Courtesy (Courtesy) Chrome Bezel | 14019B |

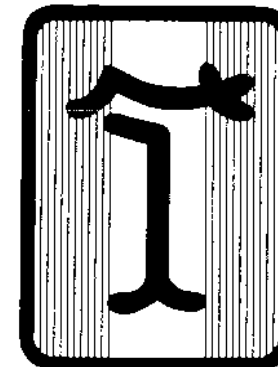
Original DeTomaso Pantera Parts



| | | |
|-----|---|--------|
| 14 | Switch Wiper w/Symbol GT5 Black Bezel | 14017D |
| 15 | Switch Courtesy w/Symbol 1st Series Chrome Bezel | 14014A |
| 15 | Switch (Blank) Non Function Chrome Bezel | 14015A |
| 15 | Switch Windshield Washer w/Symbol GT5 Black Bezel | 14019B |
| 16 | Switch Air Conditioner Thermostat 1st Series Replaced by B | 14016A |
| 16 | Switch Air Conditioner Thermostat | 14016B |
| 16 | Switch Air Conditioner Thermostat w/Vacuum Type Control Assembly | 14016F |
| 16A | Bezel Air Conditioner Switch to Console | 14016C |
| 16B | Knob Air Conditioner Switch 71-74 | 14016D |
| 16C | Knob Air Conditioner Switch GT5 w/vacuum Heater | 14016E |
| 17 | Lever Heater Control Plastic Chrome | 14017A |
| 17 | Lever Heater Control Black w/Red Center | 14017B |
| 17 | Bezel Heater Control (Plastic) | 14017A |
| 17 | Control Assembly Heater w/Cables 1st Series | 14017A |
| 17 | Control Assembly Heater w/Cables 2nd Series | 14017B |
| 17 | Control Assembly Heater w/Cables 73-74 Replaced by D | 14017C |
| 17 | Control Assembly Heater w/Cables 1970-02 | 14017D |
| 17 | Control Assembly Heater and AC w/Vacuum (Push Button Type) | 14017E |
| 17 | Bezel for Vacuum Type Heater & AC Switch | 14017F |
| 17 | Radio Radio Back Of w/Design Ornament | 14023A |
| 17 | Radio Radio Back Of Black Plastic GT5 | 14023B |
| 21 | Screw Instrument Panel to Console (Metric Type Chrome) M5 x 80 x 20 | 14021A |
| 21 | Screw Instrument Panel to Console (Phillips) Black M5 x 80 x 17 | 14021B |
| 21 | Screw Instrument Panel to Console (Phillips) Chrome | 14021C |
| 22 | Console Rear Section 1st Series | 14022A |
| 22 | Console Rear Section 2nd Series | 14022B |
| 22 | Console Rear Section 2nd Series Leather | 14022C |
| 22 | Console Rear Section GT5 w/o Arm Rest Leather | 14022D |
| 22 | Console Rear Section GT5 with Arm Rest Leather | 14022E |
| 23 | N.I. Heater Control to Dash | 55047A |
| 24 | Ash Tray | 14023A |
| 24 | Ash Tray GT5 Outer Trim (Sliding Type) | 14023B |
| 24 | Ash Tray GT5 Inner Receptacle | 14023C |
| 25 | Cigar Lighter Socket w/Light Long Type (2-1/8" Element) | 14024A |
| 25 | Cigar Lighter Socket w/Light Short Type (1-3/4" Element) | 14024B |
| 25 | Bulk Cigar Lighter Socket | 14024C |
| 25A | Cigar Lighter Knob & Element Long 2-1/8 | 14025A |
| 25A | Cigar Lighter Knob & Element Short 1-3/4 | 14025B |
| 25A | Cigar Lighter Assembly Complete Long Style | 14025C |
| 25A | Cigar Lighter Assembly Complete Short Style | 14025D |
| 25A | Cigar Lighter Assembly Complete GT5 w/5 Long Ash Tray | 14025E |
| 26 | Switch Park Brake Warning Terminal | 01426A |
| 26 | Switch Park Brake Warning Terminal | 01426B |
| 27 | N.I. Radio Back Of Flat | 14021A |
| 28 | Switch Power Door Locks GT5 | 14019A |

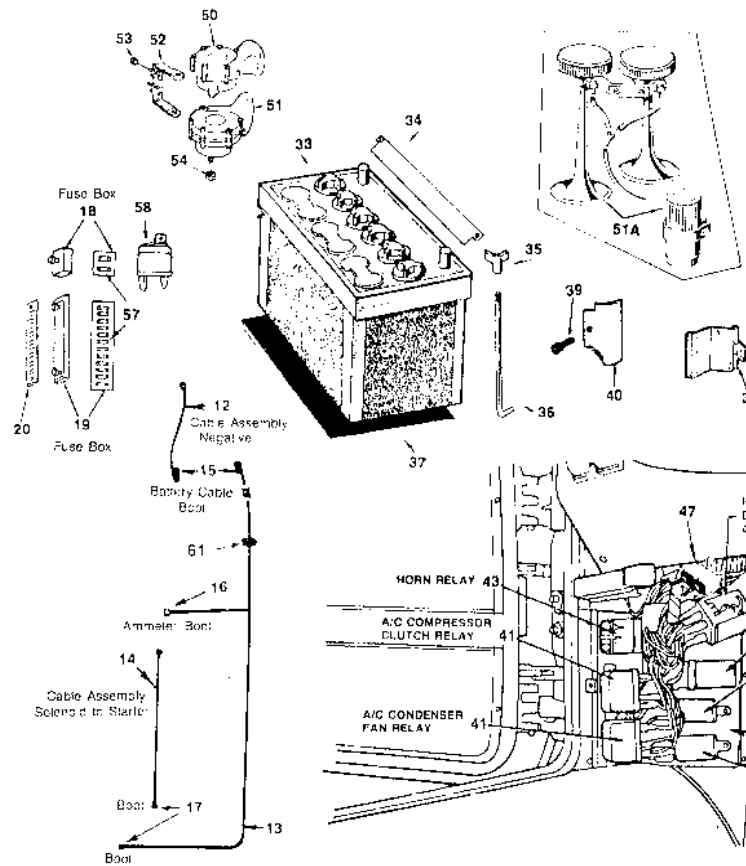
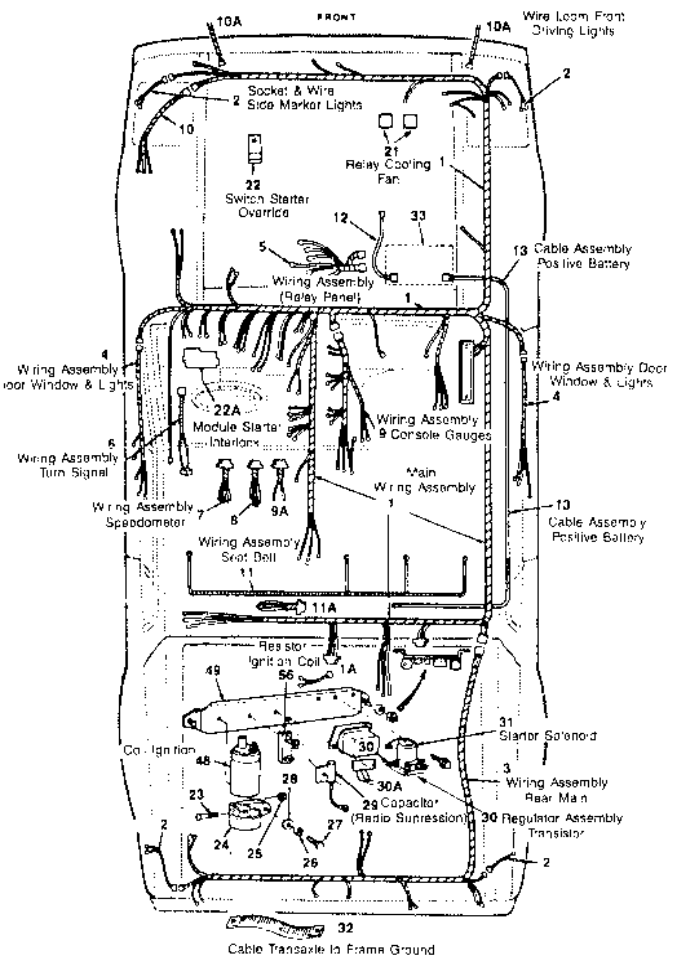
| | | |
|----|--|--------|
| 29 | Screw Console to Body 1st Series (Counter Sink Phillips) | 25016A |
| 29 | Screw Console to Body 2nd Series (Round Head Phillips) | 14029A |
| 32 | Washer 2nd Series | 14029B |
| 31 | Bulb Instrument Gauges | 13007A |
| 32 | Socket Instrument Gauges Single Terminal | 13006A |
| 32 | Socket Instrument Gauges Double Terminal | 13006B |
| 33 | Radio (Non Factory Part) | |

NOTE: Switch Location in Gauge Panel Varies by Model, Year, and Optional Gauges in Dash.
NOTE: When Ordering Interior Trim Parts Covered in Leather Specify Color Code: A-White, B-Cream, C-Beige, D-Saddle, E-Brown, F-Burgundy, G-Blue, H-Black, I-Gray.

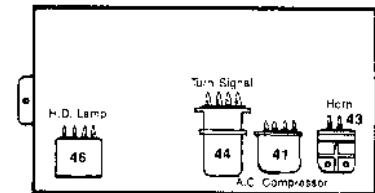


Original DeTomaso Pantera Parts

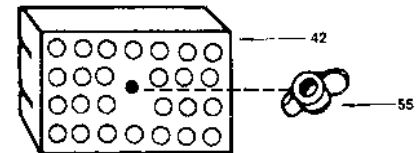
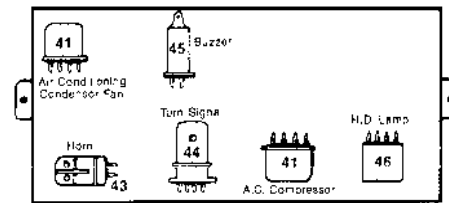
SECTION 15 ILLUSTRATION 23



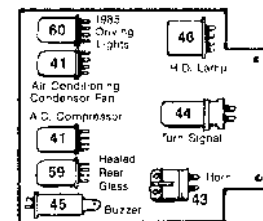
FIRST SERIES



RELAY PANEL RIGHT SIDE UNDER DASH VIEW FROM BELOW W/O FAN RELAYS



GT-5 RELAY PANEL



SECTION 15 ILLUSTRATION 23

Original DeTomaso Pantera Parts



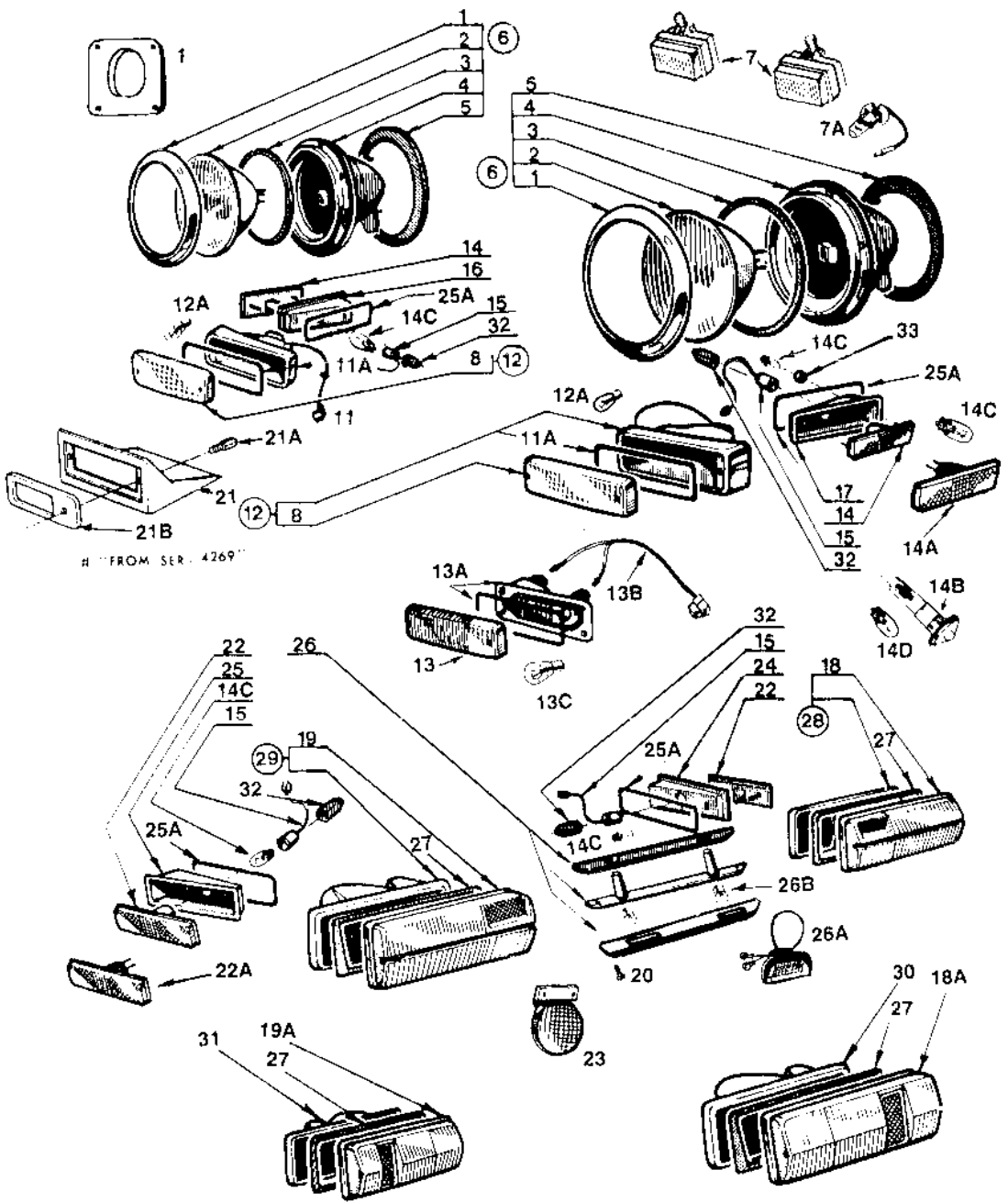
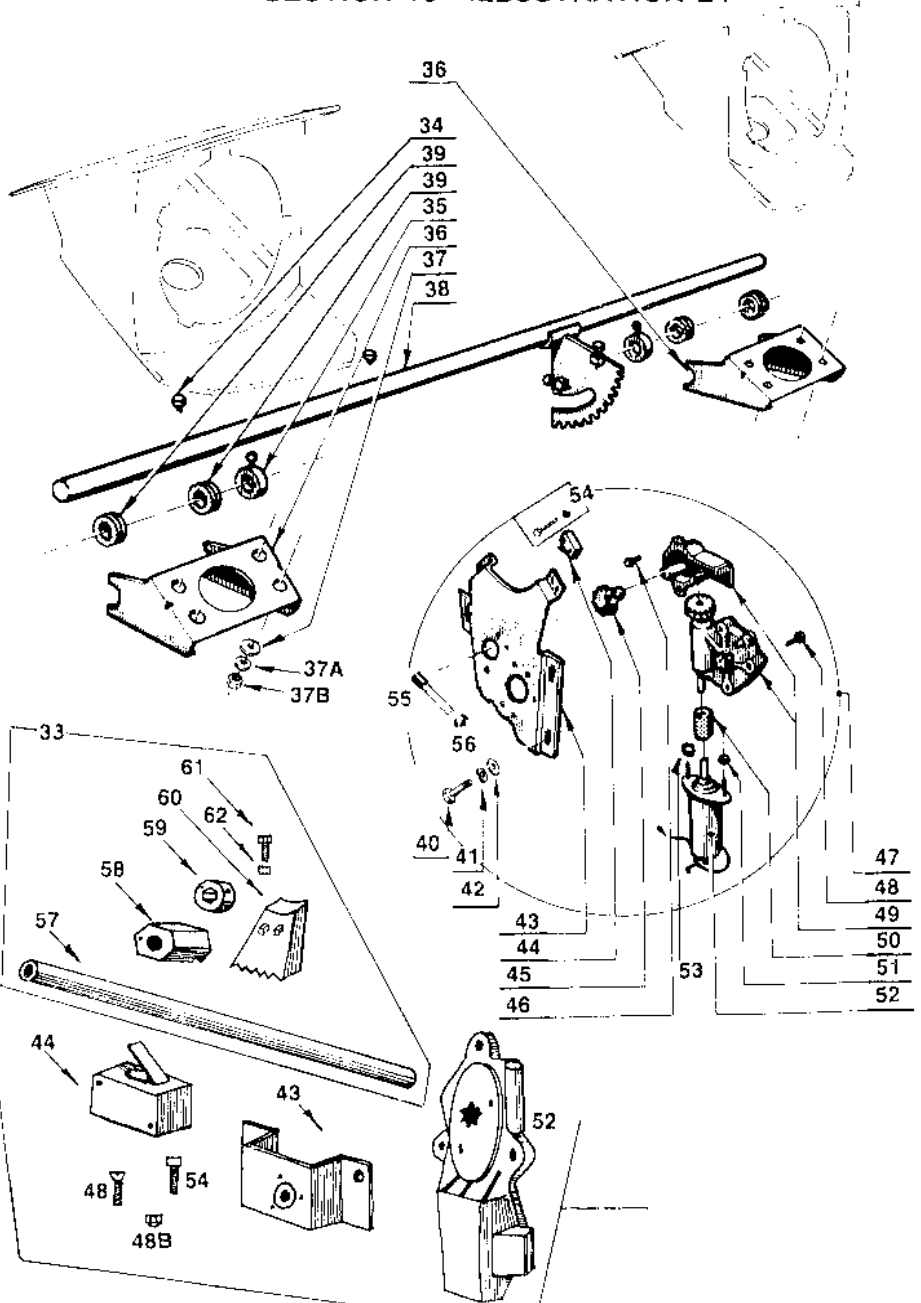
| ILLUSTRATION # | DESCRIPTION | PART # |
|----------------|--|--------|
| 1 | Wiring Assembly Main 71 Identification (2.37-20656) | 15001A |
| 1 | Wiring Assembly Main 72 Identification (3.6.65.0100) | 15001B |
| 1 | Wiring Assembly Main 72 Identification (3.6.65.0126) | 15001C |
| 1 | Wiring Assembly Main 72-73 Identification (3.6.65.0131) | 15001D |
| 1 | Wiring Assembly Main 73 Identification (3.6.65.0142) | 15001E |
| 1 | Wiring Assembly Main 74 Identification (3.5.53.014B) to Service #52599 | 15001F |
| 1 | Wiring Assembly Main 74 After Service #52599 | 15001G |
| 1 | Wiring Assembly Main 1982 GT5 w/o Vacuum Heater | 15001H |
| 1 | Wiring Assembly Main 1984 GT5 with Vacuum Heater | 15001I |
| 1A | Wire Harness (Engine Electrical) from #9000 | 15001J |
| 2 | Socket & Wire Side Marker Lights 71-74 | 15002A |
| 3 | Wiring Assembly Rear Main | 15003A |
| 3 | Wiring Assembly Rear Main GT5 After #9000 | 15003B |
| 4 | Wiring Assembly Door Window & Lights | 15004A |
| 4 | Wiring Assembly Door Window & Lights w/Electric Mirrors & Door Locks GT5 | 15004B |
| 5 | Wiring Assembly (Relay Panel) 71 w/Fan Relay Under Dash RH | 15005A |
| 5 | Wiring Assembly (Relay Panel) 71/72 w/o Fan Relay Under Dash RH | 15005B |
| 5 | Wiring Assembly (Relay Panel) 72 (Identification 3.6.65.0132) | 15005C |
| 5 | Wiring Assembly (Relay Panel) 72 (Identification 3.6.65.0129) | 15005D |
| 5 | Wiring Assembly (Relay Panel) 72/Up w/Relays L. Side Dash | 15005E |
| 6 | Wiring Assembly Turn Signal Jumper to Body Service #50220 | 15006A |
| 6 | Wiring Assembly Turn Signal Jumper After Body Service #50220 | 15006B |
| 7 | Wiring Assembly Speedometer | 15007A |
| 8 | Wiring Assembly Tachometer | 15008A |
| 9 | Wiring Assembly Console Gauges & Illumination Before #5284 | 15009A |
| 9 | Wiring Assembly Console Gauges & Illumination After #5284 | 15009B |
| 9A | Wire Loom (Optional Gauges) | 15009C |
| 10 | Wiring Assembly Headlight to Main Wire Loom | 15010A |
| 10A | Wire Loom Front Driving Lights GT5—GT5-S | 15010B |
| 11 | Wiring Assembly Seat Belt Warning | 15011A |
| 11A | Wiring Harness to Heated Rear Glass | 15011B |
| 12 | Cable Assembly Negative | 15012A |
| 13 | Cable Assembly Positive Battery in Front | 15013A |
| 13 | Cable Assembly Positive Battery in Rear | 15013B |
| 13 | Cable Assembly Positive Battery Below Front Trunk Floor | 15013C |
| 14 | Cable Assembly Solenoid to Starter | 15014A |
| 15 | Boot Battery Cable End 90°R at Battery | 15015A |
| 15 | Boot Battery Cable End 90°L at Battery | 15015B |
| 16 | Boot Ammeter and Solenoid Wires | 15016A |
| 17 | Boot Starter Cable and Solenoid | 15017A |
| 18 | Fuse Box (Power Window) Complete | 15018A |
| 19 | Fuse Box (Main) Complete | 15019A |
| 19 | Fuse Box (Main) Complete GT5 After #9000 | 15019B |
| 20 | Plate Fuse Identification English | 15020A |
| 20 | Plate Fuse Identification Italian | 15020B |
| 21 | Relay Cooling Fan (Identification SIPEA-T5210/2F) | 15021A |
| 21 | Relay Cooling Fan 84 GT5 | 15021B |
| 22 | Switch Starter Override | 15022A |
| 22A | Module Starter Interlock | 15022B |
| 23 | Bolt Coil Bracket 10-24 x 1-1/2 | 15023A |

| | | |
|-----|--|--------|
| 24 | Bracket Coil Mounting | 15024A |
| 25 | Nut Coil Bracket 10-24 | 15025A |
| 26 | Lock Washer 6mm | 01012A |
| 27 | Bolt M6 x 1 x 16mm Coil Bracket to Support | 15026A |
| 28 | Flat Washer 6mm | 15027A |
| 29 | Capacitor (Radio Suppression) | 15028A |
| 30 | Regulator Assembly Transistor | 15029A |
| 30A | Wire Assembly Regulator to Alternator | 15030A |
| 31 | Starter Solenoid | 15031A |
| 32 | Cable Transaxle to Frame Ground | 06035A |
| 33 | Battery (12V Maintenance Free) | 15032A |
| 34 | Battery Hold Down 1st Series Replaced by B | 15033A |
| 34 | Battery Hold Down 15-7/8" Long | 15033B |
| 35 | Nut Battery Hold Down Stud | 15034A |
| 36 | Stud Battery Hold Down | 15035A |
| 37 | Pad Battery to Floor | 15036A |
| 38 | Panel Relay Mounting Before #3442 | 15037A |
| 38 | Panel Relay Mounting #3442 to Service #50220 | 15037B |
| 38 | Panel Relay Mounting LH Location | 15037C |
| 39 | Screw Relay Panel Cover Thumb Type | 15038A |
| 40 | Cover Relay Panel Trim LH | 25017B |
| 41 | Relay Air Conditioning (Identification SIPEA-T-5170) | 15039A |
| 41 | Relay Air Conditioning GT5 from #9000 | 15021B |
| 42 | Cover Relay Panel | 15040A |
| 43 | Relay Horns (Identification FIAMM 12V TBC) | 15041A |
| 43 | Relay Horns GT5 After #9000 | 15021A |
| 44 | Flasher Turn Signal Before #3442 4 Terminal | 15042A |
| 44 | Flasher Turn Signal After #3442 3 Terminal | 15042B |
| 45 | Buzzer (Ignition & Seat Belt Warning) | 15043A |
| 46 | Relay Headlamp Before Serial #5900 | 15044A |
| 46 | Relay Headlamp After Serial #5900 | 15044B |
| 47 | Circuit Breaker Headlamp Relay Feed | 15045A |
| 48 | Coil Ignition 12V | 15046A |
| 49 | Bracket Ignition Coil & Resistor Support | 15047A |
| 50 | Horn Assembly (High Pitch) | 15048A |
| 51 | Horn Assembly (Low Pitch) | 15048B |
| 51A | Horn Kit (Air Type) GT5 | 15048C |
| 52 | Bracket Horns to Front Wall | 15049A |
| 53 | Nut Horn Bracket to Front Wall M6 x 1.0 | 11020B |
| 54 | Nut Horn to Bracket M6 x 1.0 | 11020B |
| 55 | Nut Relay Cover to Panel (Wing Type) | 15034A |
| 56 | Resistor Ignition Coil 4 Terminal | 15010A |
| 56 | Resistor Ignition Coil 2 Terminal | 15050B |
| 57 | Fuse 8 Amp | 15051A |
| 57 | Fuse 15 Amp | 15051B |
| 57 | Fuse 25 Amp | 15051C |
| 57 | Fuse 30 Amp | 15051D |
| 58 | Relay Power Door Locks | 15052A |
| 59 | Relay Rear Heated Glass | 15021B |
| 60 | Relay Front Driving Lights 85 GT5-S | 15021B |
| 61 | Grommet Battery Cable to Floor | 15053A |



Original DeTomaso Pantera Parts

SECTION 16 ILLUSTRATION 24



H FROM SER. 4269

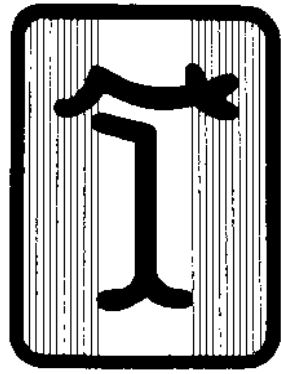
SECTION 16 ILLUSTRATION 24

| ILLUSTRATION # | DESCRIPTION | PART # |
|----------------|---|--------|
| 1 | Bezel Headlamp Trim Chrome | 16001A |
| 2 | Bezel Headlamp Trim Plastic GTS RH | 16001B |
| 3 | Bezel Headlamp Trim Plastic GTS LH | 16001C |
| 4 | Bulb Headlamp | 16002A |
| 5 | Seal Headlamp to Housing | 16003A |
| 6 | Housing Headlamp w/o Bulb | 16004A |
| 7 | Housing Assembly with Bulb | 16004B |
| 8 | Gasket Housing to Bracket | 16005A |
| 9 | Headlamp Assembly Complete w/2-#5 | 16006A |
| 10 | Headlamp Assembly Complete GTS | 16006B |
| 11 | Driving Lights—GTS—Spot Beam (White) | 16007A |
| 12 | Driving Lights—GTS—Spot Beam (Amber) | 16007B |
| 13 | Driving Lights—GTS—Fog Beam (White) | 16007C |
| 14 | Driving Lights—GTS—Fog Beam (Amber) | 16007D |
| 15A | Bulb Driving Light (Clear) | 16008A |
| 16 | Lens Park Light (W/In) | 16008B |
| 17 | Lens Park Light (Amber) | 16008C |
| 18 | Wire Assembly—Park Light to Main Harness | 16009A |
| 19 | Gasket Park Lamp | 16010C |
| 20 | Park Light Assembly RH & LH w/Amber Lens | 16012A |
| 21A | Bulb Park Light | 16012B |
| 22 | Lens 2 Color Park Light GTS RH | 16013A |
| 23 | Lens 2 Color Park Light GTS LH | 16013B |
| 24A | Body Assembly 2 Color Park Light GTS RH | 16013C |
| 25A | Body Assembly 2 Color Park Light GTS LH | 16013D |
| 26 | Wire Assembly 2 Color Park Light to Main Harness | 16013E |
| 27 | Bulb Turn Signal GTS w/2 Color Park Light | 16014C |
| 28 | Bulb Park Light GTS w/2 Color Park Light | 16014G |
| 29 | Lens Front Side Marker (Amber) | 16014A |
| 30 | Lens & Socket Front Side Marker GTS Rectangular (Amber) | 16014B |
| 31 | Lens & Socket Front Side Marker GTS Round | 16014C |
| 32 | Bulb for Side Marker #14 & 14A | 16025A |
| 33 | Bulb for Side Marker #14B | 16025B |
| 34 | Socket & Wire Side Marker | 16026A |
| 35 | Bezel Side Marker RH Front Cast to #1651 | 16024A |
| 36 | Bezel Side Marker RH Front Plastic from #1651 | 16024B |
| 37 | Bezel Side Marker LH Front Cast to #1651 | 16024C |
| 38 | Bezel Side Marker LH Front Plastic from #1651 | 16024D |
| 39 | Lens Assembly Tailight RH (Red w/White Backup) | 16015A |
| 40 | Lens Assembly Tailight RH (Red & Amber w/White Backup) | 16015B |
| 41A | Lens Assembly Tailight RH 3 Vertical Color | 16015C |
| 42 | Lens Assembly Tailight LH (Red w/White Backup) | 16015A |
| 43 | Lens Assembly Tailight LH (Red & Amber w/White Backup) | 16015B |
| 44 | Lens Assembly Tailight LH 3 Vertical Color | 16015C |
| 45 | Screw—License Plate (Hex) to Body Chrome | 16018A |
| 46 | Housing Park Light to Body RH | 16019A |
| 47 | Housing Park Light to Body LH | 16019B |
| 48 | Gasket Park Light Body to Housing LH/RH | 16020A |
| 49 | Lens Rear Side Marker (Red) | 16022A |
| 50 | Lens & Socket Rear Side Marker GTS Rectangular (Red) | 16022B |
| 51 | Rear Fog Light GTS | 16023A |
| 52 | Bezel Side Marker Rear Rear Cast to #1651 | 16024A |

Original DeTomaso Pantera Parts 

| | | |
|-----|--|--------|
| 24 | Bezel Side Marker RH Rear Plastic from #1651 | 16024B |
| 25 | Bezel Side Marker LH Rear Cast to #1651 | 16024C |
| 26 | Bezel Side Marker LH Rear Plastic from #1651 | 16024D |
| 27A | Socket Side Marker Rear to Body | 16025A |
| 28 | License Plate Light Assembly | 16026A |
| 29 | License Plate Light Assembly GTS | 16026B |
| 30 | Bulb License Plate Light for #26 | 16013C |
| 31 | Bulb License Plate Light for #26A | 16013H |
| 32 | Gasket Rear Lens to Body RH | 16027A |
| 33 | Gasket Rear Lens to Body LH | 16027B |
| 34 | Tailight Assembly Complete RH Specialty Lens Color | 16028A |
| 35 | Tailight Assembly Complete LH Specialty Lens Color | 16028B |
| 36 | Tail Light Assembly Complete RH 3 Vertical Color | 16029A |
| 37 | Tail Light Assembly Complete LH 3 Vertical Color | 16029B |
| 38 | Body Side Marker Light Socket | 16030A |
| 39 | Body Side Marker Socket to Body | 16030B |
| 40 | Bumper Headlamp Door to Body | 16031A |
| 41 | Lock Ring Headlamp Shaft Register | 16034A |
| 42 | Bracket Headlamp Bracket to Shaft RH&LH | 16035A |
| 43 | Flat Washer 4mm (Body Type) | 09033A |
| 44 | Lock Washer 6mm | 01012A |
| 45 | Nut 6mm | 11029B |
| 46 | Shaft Assembly Headlamp w/Gear Before Series #1851 | 16036A |
| 47 | Shaft Assembly Headlamp w/Gear After Series #1851 | 16036B |
| 48 | Shaft Assembly Headlamp w/Gear GTS from #9306 | 16036C |
| 49 | Bushing Headlamp Shaft to Body | 16037A |
| 50 | Roll Headlamp Motor Bracket to Body M6 x 1.0 x 20 | 20021A |
| 51 | Lock Washer Headlamp Motor Bracket to Body M6 | 01022A |
| 52 | Flat Washer Headlamp Motor Bracket to Body M6 | 16037B |
| 53 | Bracket Headlamp Motor to Body | 16038A |
| 54 | Bracket Headlamp Motor to Body GTS from #9306 | 16038B |
| 55 | Switch Assembly Headlamp Cover L/R | 16039A |
| 56 | Knob Headlamp Motor Overhaul | 16040A |
| 57 | Roll Headlamp Overhaul to Bracket | 16041A |
| 58 | Headlamp Motor & Bracket Assembly | 16042A |
| 59 | Headlamp Motor & Bracket Assembly GTS from #9306 | 16042B |
| 60 | Bolt Headlamp Gear Box | 16043A |
| 61 | Bolt Headlamp Motor & Gear to Bracket from #9306 | 16043B |
| 62 | Nut Headlamp Motor & Gear to Bracket from #9306 | 16055A |
| 63 | Gear Assembly Headlamp Drive | 16044A |
| 64 | Coupling Headlamp Motor to Gear | 16045A |
| 65 | Motor Assembly Headlamp | 16046A |
| 66 | Motor & Gear Assembly Headlamp GTS from #9306 | 16046B |
| 67 | Insulation Headlamp Motor to Bracket | 16047A |
| 68 | Spring Limit Switch in Bracket (Hex Head) | 16048A |
| 69 | Spring Limit Switch in Bracket (Hex Head) | 16048B |
| 70 | Stop Bolt Headlamp Limit Adjusting | 16049A |
| 71 | Nut Headlamp Limit Adjusting Bolt | 11025B |

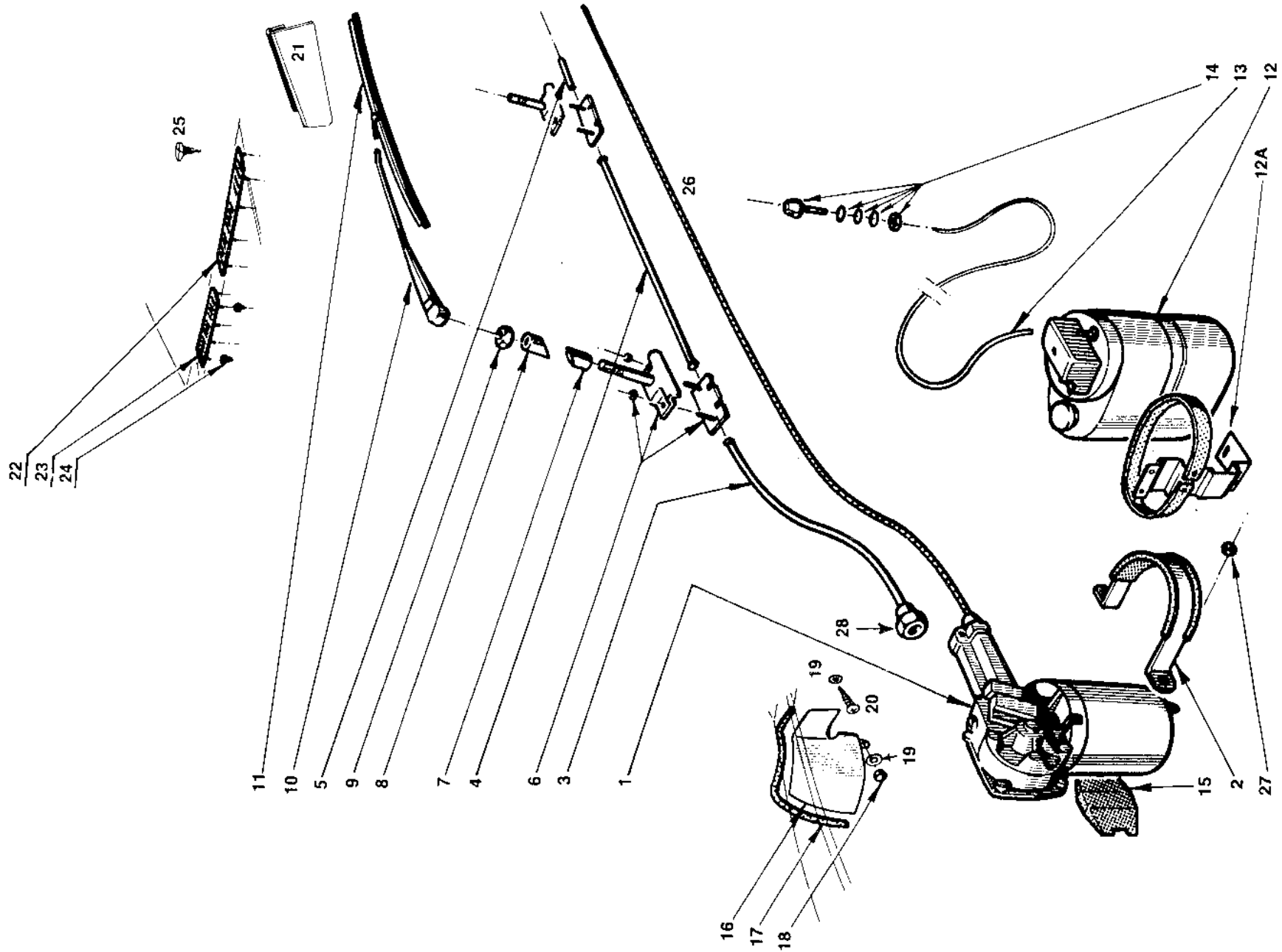
| | | |
|----|---|--------|
| 57 | Right Headlamp Pivot from #9306 | 16036C |
| 58 | Roll Headlamp Shell Drive from #9306 | 16050A |
| 59 | Index Headlamp Gear to Shaft from #9306 | 16051A |
| 60 | Gear Headlamp Shell from #9306 | 16052A |
| 61 | Bolt Headlamp Index Bolt M6 x 15 | 16053A |
| 62 | Nut Headlamp Index (Set) 6mm | 16054A |





Original DeTomaso Pantera Parts

SECTION 17 ILLUSTRATION 25

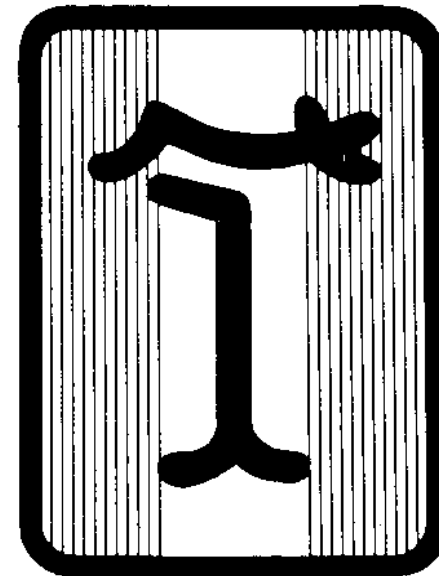


SECTION 17 ILLUSTRATION 25

Original DeTomaso Pantera Parts



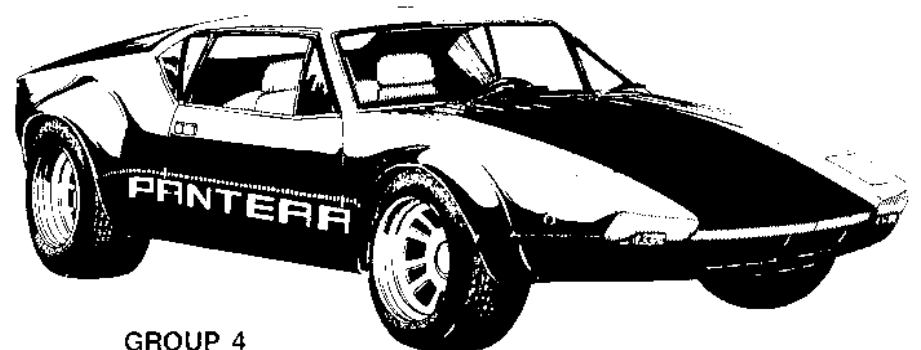
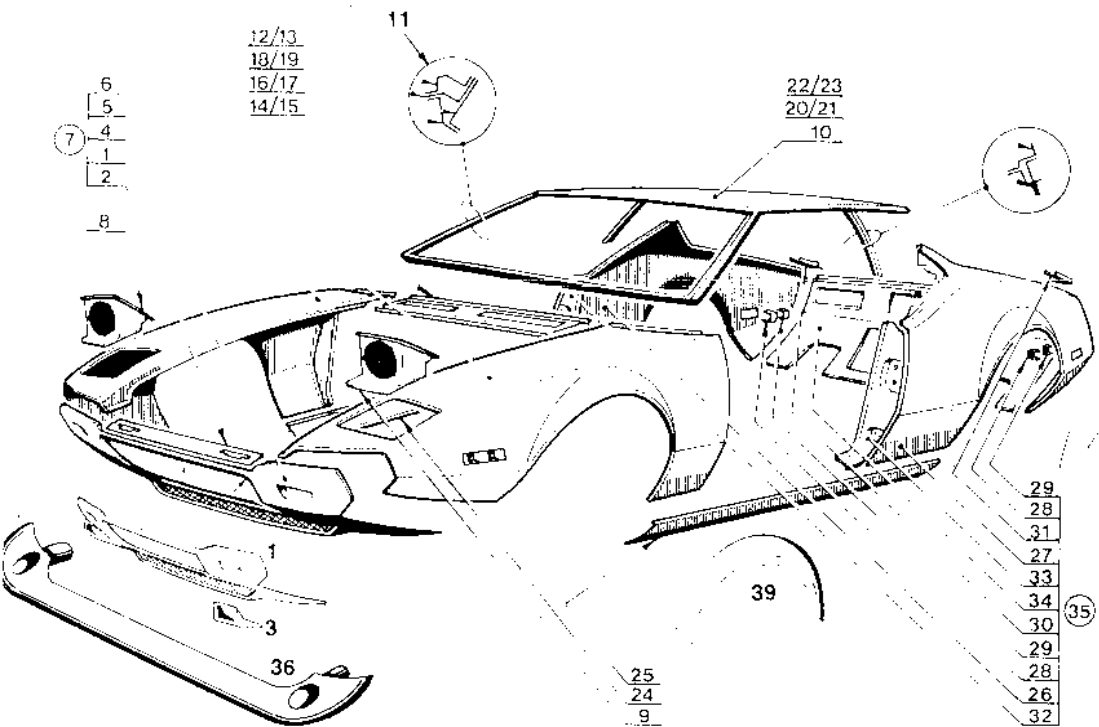
| ILLUSTRATION # | DESCRIPTION | PART # |
|----------------|--|--------|
| 1 | Wiper Motor and Gear Assembly LH Park | 17001A |
| 1 | Wiper Motor and Gear Assembly RH Park | 17001B |
| 2 | Strap Wiper Motor Retaining w/Rubber on Strap | 17002A |
| 3 | Tube Wiper Motor to Pivot LH Park | 17003A |
| 3 | Tube Wiper Motor to Pivot RH Park | 17003B |
| 4 | Tube Pivot to Pivot | 17004A |
| 5 | Tube Pivot to End | 17005A |
| 6 | Pivot Assembly | 17006A |
| 7 | Spacer (Lower) | 17007A |
| 8 | Spacer (Upper) | 17008A |
| 9 | Nut Wiper Pivot Shaft | 17009A |
| 10 | Arm Wiper (Output) Bright Finish (LH Park) | 17010A |
| 10 | Arm Wiper (Output) Black Finish (LH Park) | 17010B |
| 10 | Arm Wiper (Output) Black Finish RH Side (RH Park) | 17010C |
| 10 | Arm Wiper (Output) Black Finish LH Side 18" Long (RH Park) | 17010D |
| 11 | Blade Assembly LH Park Bright Finish | 17011A |
| 11 | Blade Assembly LH Park Black Finish GT5 | 17011B |
| 11 | Blade Assembly RH Park Black Finish | 17011C |
| 12 | Reservoir & Pump Windshield Washer w/Bracket #12A | 17012A |
| 12A | Bracket Pump to Body | 17012B |
| 13 | Hose Washer Pump to Spritzer 52" Long | 17013A |
| 14 | Spritzer Windshield Washer | 17014A |
| 15 | Pad Wiper Motor Mounting | 17015A |
| 16 | Shield Wiper Motor Splash | 17016A |
| 16 | Shield Wiper Motor Splash GT5 | 17016B |
| 16 | Shield Wiper Motor Splash GT5-S | 17016C |
| 17 | Weatherstrip Wiper Motor Splash Shield | 17017A |
| 18 | Nut Splash Shield Retaining M6 x 1.0 | 11020B |
| 19 | Flat Washer Splash Shield Retaining (Body Type) | 09033A |
| 20 | Screw Wiper Shield Retaining (Sheet Metal Type #8 x 1/2") | 17017B |
| 21 | Deflector Wiper Arm Chrome | 17018A |
| 21 | Deflector Wiper Arm Black | 17018B |
| 22 | Cowl Air Inlet LH with Screws (LH Park) | 17019A |
| 22 | Cowl Air Inlet LH w/Pins (LH Park) | 17019B |
| 22 | Cowl Air Inlet LH w/Pins (RH Park) R/B 17019D | 17019C |
| 22 | Cowl Air Inlet LH w/Screws (RH Park) | 17019D |
| 23 | Cowl Air Inlet RH w/Screws (LH Park) | 17020A |
| 23 | Cowl Air Inlet RH w/Pins (LH Park) | 17020B |
| 23 | Cowl Air Inlet RH w/Pins (RH Park) R/B 17020D | 17020C |
| 23 | Cowl Air Inlet RH w/Screws (RH Park) | 17020D |
| 24 | Clip Wiper Cowl Retaining | 09040A |
| 25 | Screw Wiper Cowl Retaining | 25016A |
| 26 | Wiper Cable LH Park | 17021A |
| 26 | Wiper Cable RH Park | 17021B |
| 27 | Nut Wiper Motor to Body M6 x 1.0 | 11020B |
| 28 | Nut Wiper Tube to Motor | 17022A |



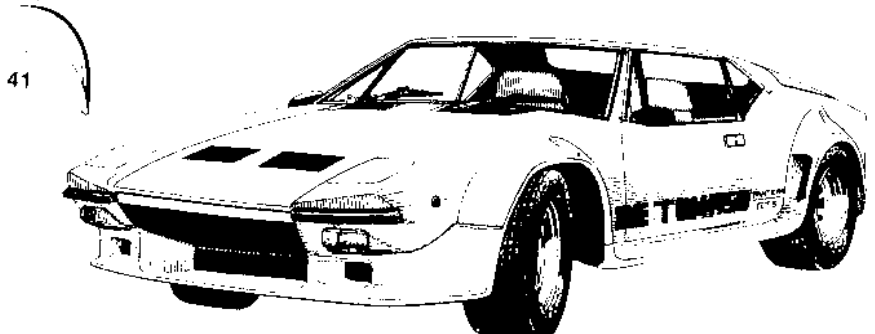


Original DeTomaso Pantera Parts

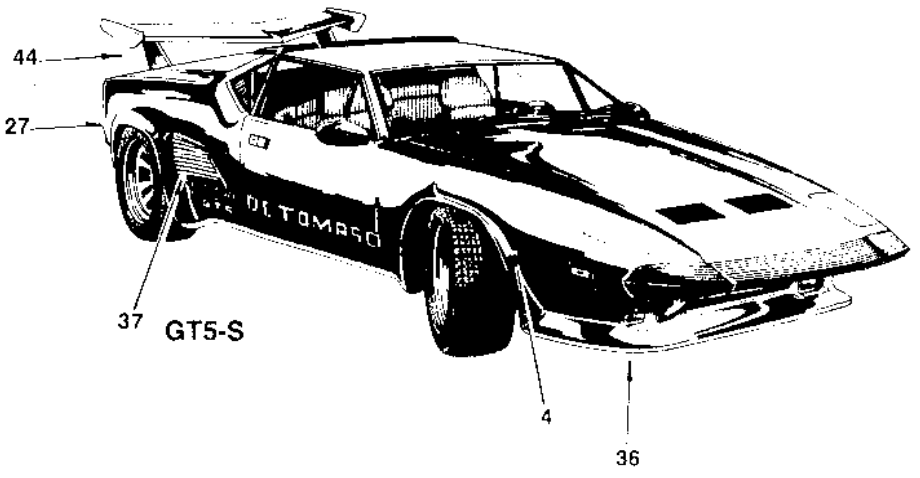
SECTION 18 ILLUSTRATION 26



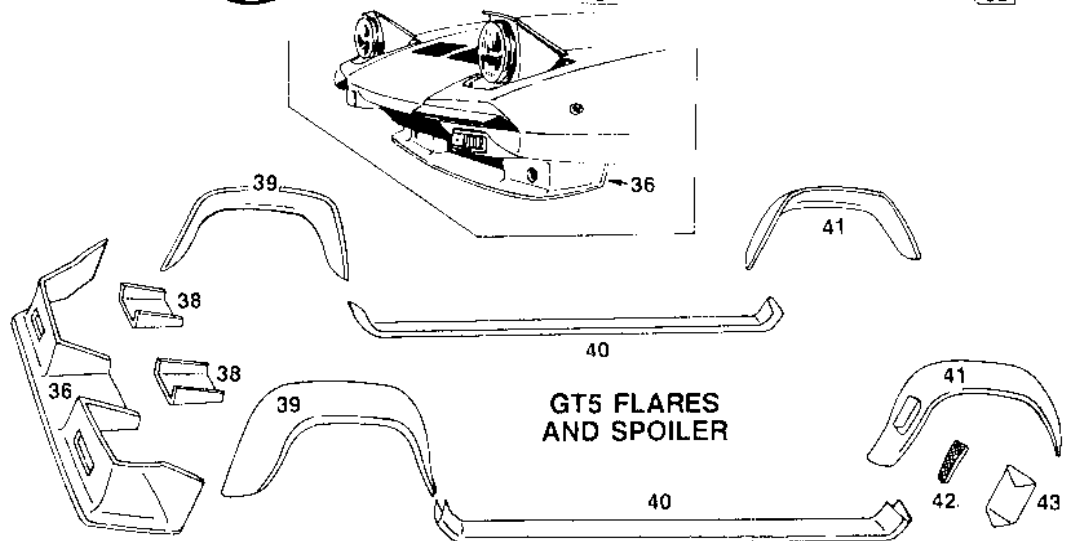
GROUP 4



GT5



GT5-S



GT5 FLARES AND SPOILER

SECTION 18 ILLUSTRATION 26

Original DeTomaso Pantera Parts



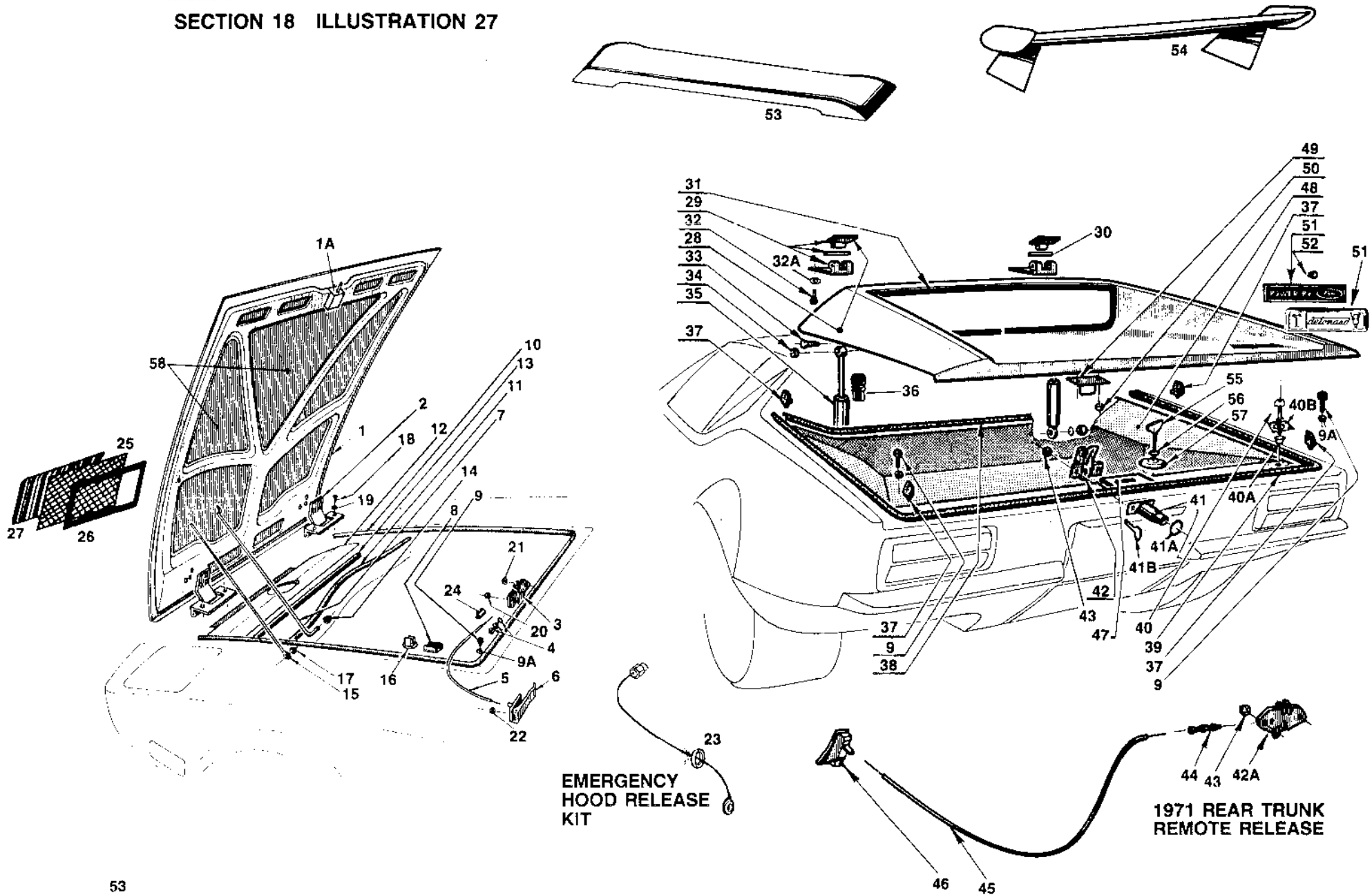
| ILLUSTRATION # | DESCRIPTION | PART # |
|----------------|--|--------|
| 1 | Front Body Panel w/Park Light in Bumper | 18001A |
| 1 | Front Body Panel w/1-Piece Rubber Bumper | 18001B |
| 1 | Front Body Panel GT5 (European) Small Bumpers | 18001C |
| 1 | Front Body Panel GT5-S w/Spoiler (Steel) | 18001D |
| 2 | Cover Front Upper Crossmember | 18002A |
| 3 | Housing Park Lamp to Body RH | 16019A |
| 3 | Housing Park Lamp to Body LH | 16019B |
| 4 | Fender RF w/Park Light in Bumper Before #2729 | 18003A |
| 4 | Fender RF (L Model w/1-Piece Bumper) from #2729 | 18003B |
| 4 | Fender RF GT5 w/o Side Marker | 18003C |
| 4 | Fender w/Steel Flare GT5-S 1985 RF | 18003D |
| 5 | Fender LF w/Park Light in Bumper Before #2729 | 18004A |
| 5 | Fender LF (L Model w/1-Piece Bumper) from #2729 | 18004B |
| 5 | Fender LF GT5 w/o Side Marker | 18004C |
| 5 | Fender w/Steel Flare GT5-S 1985 LF | 18004D |
| 6 | Cowl Windshield Wiper Upper (Steel) | 18005A |
| 7 | Front Body Assembly (Serviced by Individual Parts) | 18006A |
| 8 | Headlamp Bucket RH Before #2729 | 18007A |
| 8 | Headlamp Bucket RH After #2729 | 18007B |
| 9 | Headlamp Bucket LH Before #2729 | 18008A |
| 9 | Headlamp Bucket LH After #2729 | 18008B |
| 10 | Roof Assembly w/12-23 Posts | 18009A |
| 11 | Roof w/Shield Pillar Complete RH | 18010A |
| 11 | Roof w/Shield Pillar Complete LH | 18010B |
| 12 | Windshield Pillar Post Skin Outer RH | 18011A |
| 13 | Windshield Pillar Post Skin Outer LH | 18011B |
| 14 | Windshield Pillar Post Skin Inner RH | 18012A |
| 15 | Windshield Pillar Post Skin Inner LH | 18012B |
| 16 | Windshield Pillar Post Inner to Drip Rail RH | 18013A |
| 17 | Windshield Pillar Post Inner to Drip Rail LH | 18013B |
| 18 | Windshield Pillar Post Reinforcement RH | 18014A |
| 19 | Windshield Pillar Post Reinforcement LH | 18014B |
| 20-23 | Roof Side Pillar Post RH | 18015A |
| 20-23 | Roof Side Pillar Post LH | 18015B |
| 24 | Rocker Panel Outer RH w/Bracket | 18016A |
| 24 | Rocker Panel Outer RH GT5 from #9000 | 18016 |
| 25 | Rocker Panel Outer LH w/Bracket | 18017A |
| 25 | Rocker Panel Outer LH GT5 from #9000 | 18017B |
| 26 | Rear 1/4 Panel RH European w/o Side Marker | 18018A |
| 26 | Rear 1/4 Panel RH U.S.A. w/Side Marker | 18018B |
| 26 | Rear 1/4 Panel GT5-S w/Flare Steel RH | 18018C |
| 27 | Rear 1/4 Panel LH European w/o Side Marker | 18019A |
| 27 | Rear 1/4 Panel LH U.S.A. w/Side Marker w/o Fuel Filler | 18019B |
| 27 | Rear 1/4 Panel LH U.S.A. w/Side Marker w/Fuel Filler | 18019C |
| 27 | Rear 1/4 Panel LH GT5-S w/Flare Steel | 18019D |
| 28 | Side Marker Bracket to Body 5/8" Deep | 18020A |
| 29 | Side Marker Bracket to Body 1" Deep | 18020B |
| 30 | Rear 1/4 Corner RH Upper | 18021A |
| 31 | Rear 1/4 Corner LH Upper | 18021B |
| 32 | Door Latch Pillar Post Skin RH | 18022A |
| 32 | Door Latch Pillar Post Skin RH GT5 | 18022B |
| 33 | Door Latch Pillar Post Skin LH | 18023A |

| | | |
|-----|--|--------|
| 33 | Door Latch Pillar Post Skin LH GT5 | 18023B |
| 34 | Rear Body Panel U.S.A. w/2-Piece Bumpers 13-1/4" License Plate Opening | 18024A |
| 34 | Rear Body Panel U.S.A. w/1-Piece Rear Bumper 13-1/4" License Plate Opening | 18024B |
| 34 | Rear Body Panel GT5-GT5-S 20" License Plate Opening | 18024C |
| 35 | Rear Body Assembly Not Replaced | |
| 36 | Spoiler Front GT5 Fiberglass (Flat) | 18025A |
| 36B | Spoiler Front GT5 Fiberglass (w/Angle) | 18025B |
| 36C | Spoiler Front GT5 Fiberglass | 18025C |
| 37 | Grille Rear 1/4 Air Intake GT5-S RH | 18030B |
| 37 | Grille Rear 1/4 Air Intake GT5-S LH | 18030C |
| 38 | Air Scoop RH GT5 | 18026A |
| 38 | Air Scoop LH GT5 | 18026B |
| 39 | Flare RF GT5 (Fiberglass) | 18027A |
| 39 | Flare LF GT5 (Fiberglass) | 18027B |
| 39 | Flare RF GT4 (Fiberglass) | 18027C |
| 39 | Flare LF GT4 (Fiberglass) | 18027D |
| 39 | Flare RF GT5 (Fiberglass) | 18027E |
| 39 | Flare LF GT5 (Fiberglass) | 18027F |
| 40 | Skirt RH GT5 (Fiberglass) | 18028A |
| 40 | Skirt LH GT5 (Fiberglass) | 18028B |
| 41 | Flare RR GT5 (Fiberglass) | 18029A |
| 41 | Flare LR GT5 (Fiberglass) | 18029B |
| 41 | Flare RR GT4 (Fiberglass) | 18029C |
| 41 | Flare LR GT4 (Fiberglass) | 18029D |
| 41 | Flare RR GT5 (Fiberglass) | 18029E |
| 41 | Flare LR GT5 (Fiberglass) | 18029F |
| 42 | Screen GT5 Rear Flare | 18030A |
| 43 | Screen Holder (Deflector) GT5 Rear | 18031A |
| 44 | Wing Assembly Rear Deck Lid GT5 | 18032A |
| 44 | Wing Assembly Rear Deck Lid GT5-S | 18032B |



Original DeTomaso Pantera Parts

SECTION 18 ILLUSTRATION 27



SECTION 18 ILLUSTRATION 27

Original DeTomaso Pantera Parts



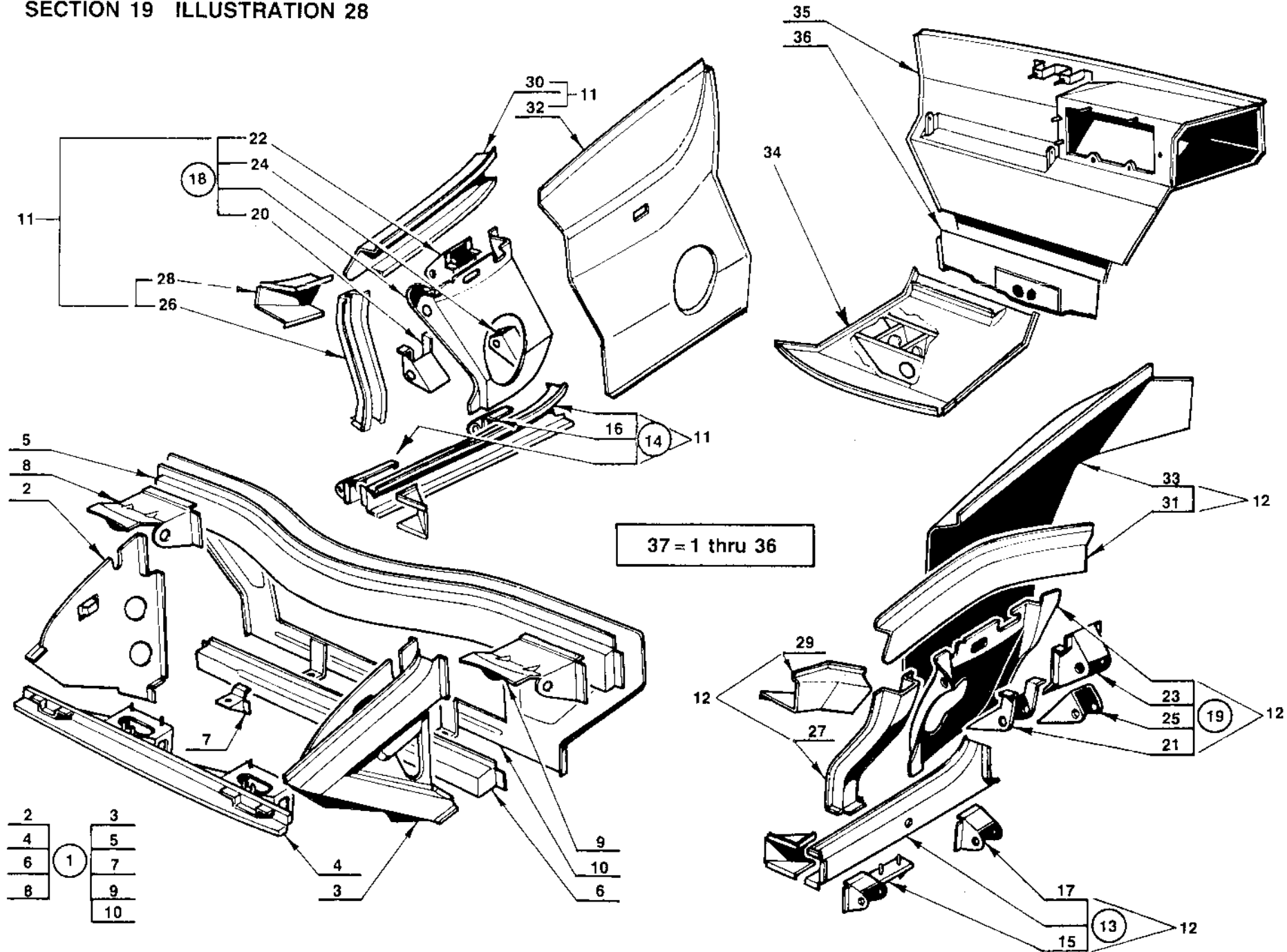
| ILLUSTRATION # | DESCRIPTION | PART # |
|----------------|--|--------|
| 1 | Hood Assembly w/o Holes for Vents | 18100A |
| 1 | Hood Assembly w/Holes for Vents | 18100B |
| 1A | Hood Pin Assembly | 18101A |
| 2 | Hinge Assembly Front Hood | 18102A |
| 3 | Latch Front Hood | 18103A |
| 4 | Fitting Hood Cable to Body | 18104A |
| 5 | Cable Assembly Front Hood Release | 18105A |
| 5 | Cable Assembly Front Hood Release GT5 Outer | 18105B |
| 5 | Cable Assembly Front Hood Release GT5 Inner | 18105C |
| 6 | Handle Front Hood Release | 18106A |
| 7 | Hood Prop 1st Series Replaced by #15 | |
| 8 | Retainer Hood Prop (U-Shaped Rubber) | 18107A |
| 9 | Bumper Front & Rear | 18108A |
| 9A | Nut Hood Bumper Jamb M6 x 1.0 | 11020B |
| 10 | Weatherstrip Front Hood Opening | 18109A |
| 11 | Weatherstrip Front Hood Opening Front Trunk Front | 18109B |
| 12 | Deflector Radiator Upper Air | 11041A |
| 13 | Weatherstrip Deflector to Radiator w/#12 Only | |
| 14 | Hood Prop Rod Retainer 1st Series Deleted | |
| 15 | Hood Prop (Chrome) | 18110A |
| 16 | Retainer Hood Prop to Body (Nylon) | 18111A |
| 17 | Nut Hood Rod to Body (Chrome Acorn Type) | 18112A |
| 18 | Bolt Hood Hinge to Body and Hood M8 x 1.25 x 25mm | 18113A |
| 19 | Flat Washer Hood Hinge Bolt M8 | 18113B |
| 20 | Nut Hood Latch to Body M6 x 1.0 | 11020B |
| 21 | Flat Washer Hood Latch to Body M6 | 18114A |
| 22 | Nut Hood Release Handle to Body M5 x 8 | 16033A |
| 23 | Kit Emergency Hood Release | 18115A |
| 24 | Clamp Hood Cable | 18116A |
| 25 | Screen Hood Grille | 18117A |
| 26 | Bezel Hood Grille | 18118A |
| 27 | Grille Front Hood (Vent) | 18119A |
| 28 | Deck Lid Rear Before #1285 (Flat Center) | 18120A |
| 28 | Deck Lid Rear #1285 to #2638 Replaced by #18120C | 18120B |
| 28 | Deck Lid Rear from #2638 | 18120C |
| 29 | Hinge Assembly Rear Deck Lid | 18121A |
| 30 | Pin Rear Deck Lid Hinge | 18122A |
| 31 | Deck Lid Trim RH to Car #1285 (Metal) | 18123A |
| 31 | Deck Lid Trim LH to Car #1285 (Metal) | 18123B |
| 31 | Deck Lid Trim Center Cap to Car #1285 (Metal) | 18123C |
| 31 | Deck Lid Trim from #1285 Thin Style 3/8" | 18123D |
| 31 | Deck Lid Trim Thick Style GTS 5/8" | 18123E |
| 32 | Bolt Deck Lid Hinge to Roof M8 x 1.25 x 25mm | 18113A |
| 32A | Flat Washer Deck Lid Bolt M8 | 18113B |
| 33 | Bolt Deck Lid Shock (Allen Type) M10 x 1.25 x 35mm | 18124A |
| 33 | Bolt Deck Lid Shock (10mm Hex) M6 x 1 x 35mm | 18124B |
| 34 | Spacer Deck Lid Shock Used w/Bolt #18124B | 18125A |
| 35 | Shock Rear Deck Lid Support | 18126A |
| 36 | Boot Deck Lid Shock (Deleted w/New Shock) | 18127A |
| 37 | Bumper Not Used | |
| 38 | Weatherstrip Rear Trunk (Front) | 18128A |
| 39 | Weatherstrip Rear Trunk Opening on Body | 18128B |

| | | |
|-----|---|--------|
| 40 | Retainer Rear Trunk Liner Allen Bolt & Washer | 18129A |
| 40 | Retainer Rear Trunk Liner (Dzus Fastener) | 18129B |
| 40A | Plug Assembly Dzus Fastener Plate (Dust) | 18129C |
| 40B | Plate Dzus Fastener Retaining | 18129D |
| 41 | Lock and Key Rear Trunk | 18130A |
| 41A | Grommet Trunk Lock | 18131A |
| 41B | Key Blank Rear Trunk Lock & Doors | 18132A |
| 42 | Latch Rear Deck Lid on Body | 18133A |
| 42 | Latch Rear Deck Lid on Body GT5 (From #9000) | 18133B |
| 42A | Latch Rear Deck Lid w/Remote Release | 18103A |
| 43 | Nut Latch to Body M6 x 1mm | 11020B |
| 44 | Fitting Cable to Body | 18134A |
| 45 | Cable Assembly | 18135A |
| 46 | Handle Assembly Remote Trunk Release | 18136A |
| 47 | Cover Assembly Trunk Latch Before #1285 | 18137A |
| 48 | Trunk Assembly to Car #1285 | 18138A |
| 48 | Trunk Assembly from #1285 to Service #50103 | 18138B |
| 48 | Trunk Assembly from Service #50103 | 18138C |
| 48 | Trunk Assembly 84 GT5 w/o Carpet From #9000 | 18138D |
| 48 | Trunk Assembly GT5 w/Carpet (Black) From #9000 | 18138E |
| 49 | Striker Rear Deck Lid #1285 to 2640 | 18139A |
| 49 | Striker Rear Deck Lid #2640 to #4930 R/B 18139C | 18139B |
| 49 | Striker Rear Deck Lid from #4930 | 18139C |
| 50 | Nut Striker to Deck Lid M6 x 1mm | 11020B |
| 51 | Emblem Rear Deck Lid (Power by Ford) | 18140A |
| 51 | Emblem Rear Deck Lid (DeTomaso V8) | 18140B |
| 52 | Nut (Barrel Type) Emblem to Deck Lid | 18141A |
| 53 | Spoiler Rear Deck Lid | 18142A |
| 54 | Wing Assembly 83-84 GT5 (Aluminum & Steel) | 18032A |
| 54 | Wing Assembly 85 GT5-S (Carbon Fiber) | 18032B |
| 55 | Wing Bolt Spare Tire Retainer | 18143A |
| 56 | Washer Spare Tire Retainer | 18144A |
| 57 | Plate Spare Tire Retainer | 18145A |
| 58 | Liner Set Front Hood (Quilted) | 18146A |
| 58 | Liner Set Rear Deck Lid (Quilted) | 18146B |



Original DeTomaso Pantera Parts

SECTION 19 ILLUSTRATION 28



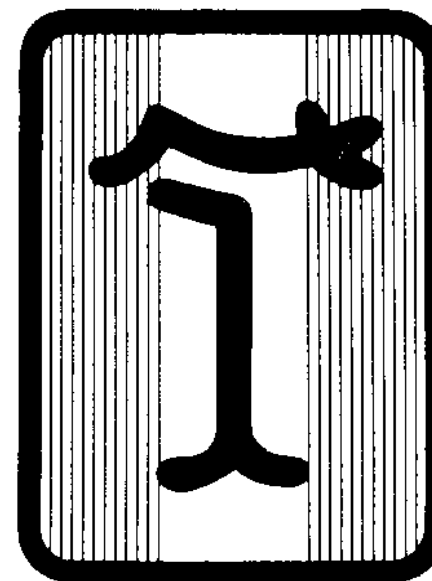
SECTION 19 ILLUSTRATION 28

Original DeTomaso Pantera Parts



| ILLUSTRATION # | DESCRIPTION | PART # |
|----------------|---|--------|
| 1 | Front Nose Assembly with 1 through 10 (See Note) | 19001A |
| 1 | Front Nose Assembly with 1 through 10 from #9000 | 19001B |
| 2 | Front Support RH | 19002A |
| 2 | Front Support RH from #9000 | 19002B |
| 3 | Front Support LH | 19003A |
| 3 | Front Support LH from #9000 | 19003B |
| 4 | Fan Support Crossmember | 19004A |
| 5 | Front Wall Crossmember Upper Before #9000 | 19005A |
| 6 | Radiator Crossmember Lower with #7 | 19006A |
| 7 | Bracket Radiator Support Lower | 19007A |
| 8 | Bracket Headlamp Shaft Support RH | 19008A |
| 9 | Bracket Headlamp Shaft Support LH | 19009A |
| 10 | Front Wall Before #9000 | 19010A |
| 11 | Front Suspension Inner Wheel House Complete RH | 19011A |
| 11 | Front Suspension Inner Wheel House Complete RH from #9000 | 19011C |
| 12 | Front Suspension Inner Wheel House Complete LH | 19011B |
| 12 | Front Suspension Inner Wheel House Complete LH from #9000 | 19011D |
| 13 | Front Lower Frame Rail Assembly LH from #9000 | 19015A |
| 14 | Front Lower Frame Rail Assembly RH from #9000 | 19016A |
| 34 | Floor Assembly Front Trunk | 19012A |
| 35 | Dash Panel LH Drive | 19013A |
| 35 | Dash Panel GT5 w/Battery Under Front Trunk | 19013B |
| 36 | Crossmember Front Trunk Floor (w/#37 Only) | |
| 37 | Front Under Body Assembly from #9000 (#1-36) | 19014A |

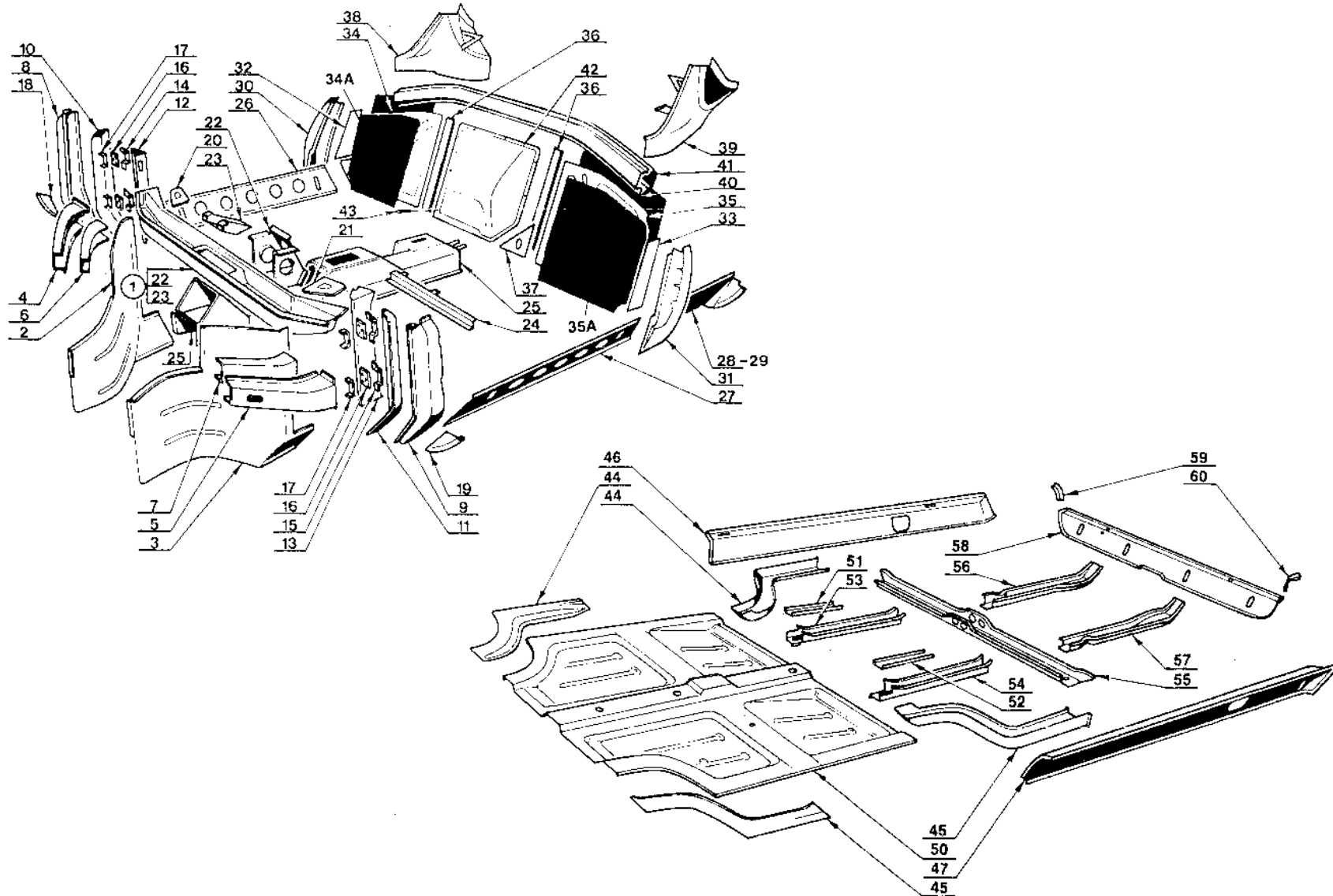
NOTE: #1 Front Nose Assembly includes Headlamp Shaft, Gear, Bushings and Brackets.





Original DeTomaso Pantera Parts

SECTION 19 ILLUSTRATION 29



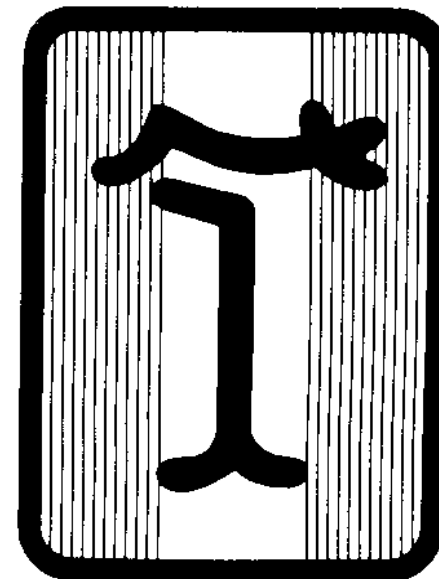
SECTION 19 ILLUSTRATION 29

Original DeTomaso Pantera Parts



| ILLUSTRATION # | DESCRIPTION | PART # |
|----------------|--|--------|
| 1 | Cowl Windshield Wiper Lower Before #5284 | 19100A |
| 1 | Cowl Windshield Wiper Lower After #5284 | 19100B |
| 1 | Cowl Windshield Wiper Lower w/Fresh Air Pickup | 19100C |
| 2 | Apron Inner Fender RH | 19101A |
| 3 | Apron Inner Fender LH | 19102A |
| 4 | Brace Fender Apron RH Outer | 19103A |
| 5 | Brace Fender Apron LH Outer | 19104A |
| 6 | Brace Fender Apron RH Inner | 19105A |
| 7 | Brace Fender Apron LH Inner | 19106A |
| 8 | Door Hinge Post Assembly RH (#8-10-12-14-16-17) | 19107A |
| 9 | Door Hinge Post Assembly LH (#9-11-13-15-16-17) | 19108A |
| 12 | Pillar Post Inner w/Dash Support Bracket RH | 19108B |
| 13 | Pillar Post Inner w/Dash Support Bracket LH | 19108C |
| 18 | Plate Door Pillar Post to Inner Rocker RH | 19109A |
| 19 | Plate Door Pillar Post to Inner Rocker LH | 19109B |
| 20 | Cowl Air Intake Box Cover RH | 19110A |
| 21 | Cowl Air Intake Box Cover LH | 19110B |
| 22 | Bracket Steering Column Support | 19111A |
| 23 | Bracket Heater Plenum Support | 19112A |
| 24 | Brace Steering Column Support to Fender Apron | 19113A |
| 25 | Console Inner Structure (Steel) | 19114A |
| 26 | Panel Inner Rocker Reinforcement RH | 19115A |
| 27 | Panel Inner Rocker Reinforcement LH | 19116A |
| 28 | Panel Inner Rocker Rear Reinforcement RH | 19117A |
| 29 | Panel Inner Rocker Rear Reinforcement LH | 19118A |
| 30 | Pillar Post Door Latch RH | 19119A |
| 31 | Pillar Post Door Latch LH | 19120A |
| 32 | Pillar Inner Panel RH w/#30 Only | |
| 33 | Pillar Inner Panel LH w/#31 Only | |
| 34 | Firewall RH | 19121A |
| 34A | Insulation Firewall RH Engine Side | 19122A |
| 34A | Insulation Firewall RH Pass Side | 19122B |
| 35 | Firewall LH | 19123A |
| 35A | Insulation Firewall LH Engine Side | 19124A |
| 35A | Insulation Firewall LH Pass Side | 19124B |
| 36 | Firewall Pillar R & L | 19125A |
| 37 | Plate Shift Rod (Firewall Panel) | 19126A |
| 40 | Firewall Upper Crossmember Front | 19127A |
| 41 | Firewall Upper Crossmember Rear | 19127B |
| 42 | Firewall Center Section (Removable) before #2000 | 19128A |
| 42 | Firewall Center Section (Removable) from #2000 | 19128B |
| 43 | Screw Firewall Center Retaining Slotted Head M5 x .80 x 20mm | 19129A |
| 43 | Bolt Firewall Center Retaining Hex Head M5 x .80 x 25mm | 19129B |
| 44 | Reinforcement Floor Pan Front RH | 19130A |
| 45 | Reinforcement Floor Pan Front LH | 19131A |
| 46 | Rocker Inner w/Seat Belt Hole RH | 19132A |
| 46 | Inner Rocker Assembly after #9000 RH (w/#26 & 28) | 19132B |
| 47 | Rocker Inner w/Seat Belt Hole LH | 19133A |
| 47 | Inner Rocker Assembly After #9000 LH (w/#27 & 29) | 19133B |
| 50 | Floor Assembly | 19134A |
| 51 | Reinforcement Front Center Floor Brace RH | 19135A |
| 52 | Reinforcement Front Center Floor Brace LH | 19136A |

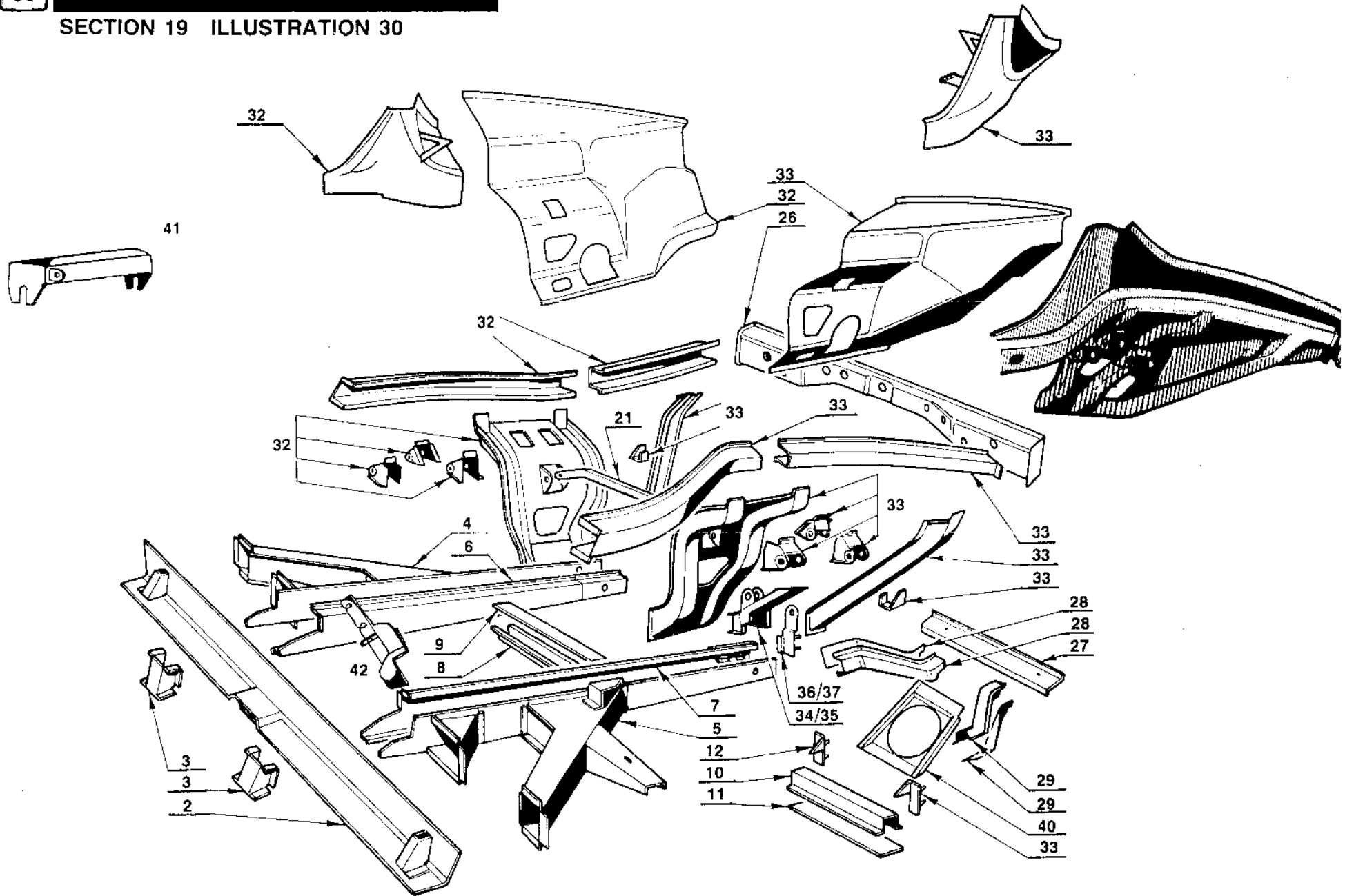
| | | |
|----|---|--------|
| 53 | Brace Front Floor Center RH | 19137A |
| 54 | Brace Front Floor Center LH | 19138A |
| 55 | Crossmember Floor Center | 19139A |
| 56 | Brace Front Floor Rear RH | 19140A |
| 57 | Brace Front Floor Rear LH | 19141A |
| 58 | Crossmember Upper Rear Floor | 19142A |
| 59 | Reinforcement Upper Rear Floor Crossmember RH | 19143A |
| 60 | Reinforcement Upper Rear Floor Crossmember LH | 19144A |





Original DeTomaso Pantera Parts

SECTION 19 ILLUSTRATION 30

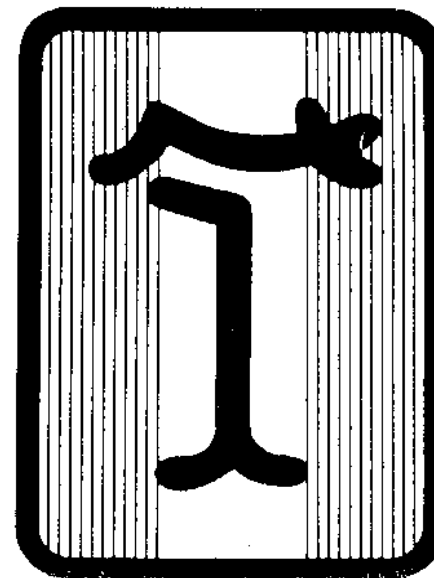


SECTION 19 ILLUSTRATION 30

Original DeTomaso Pantera Parts



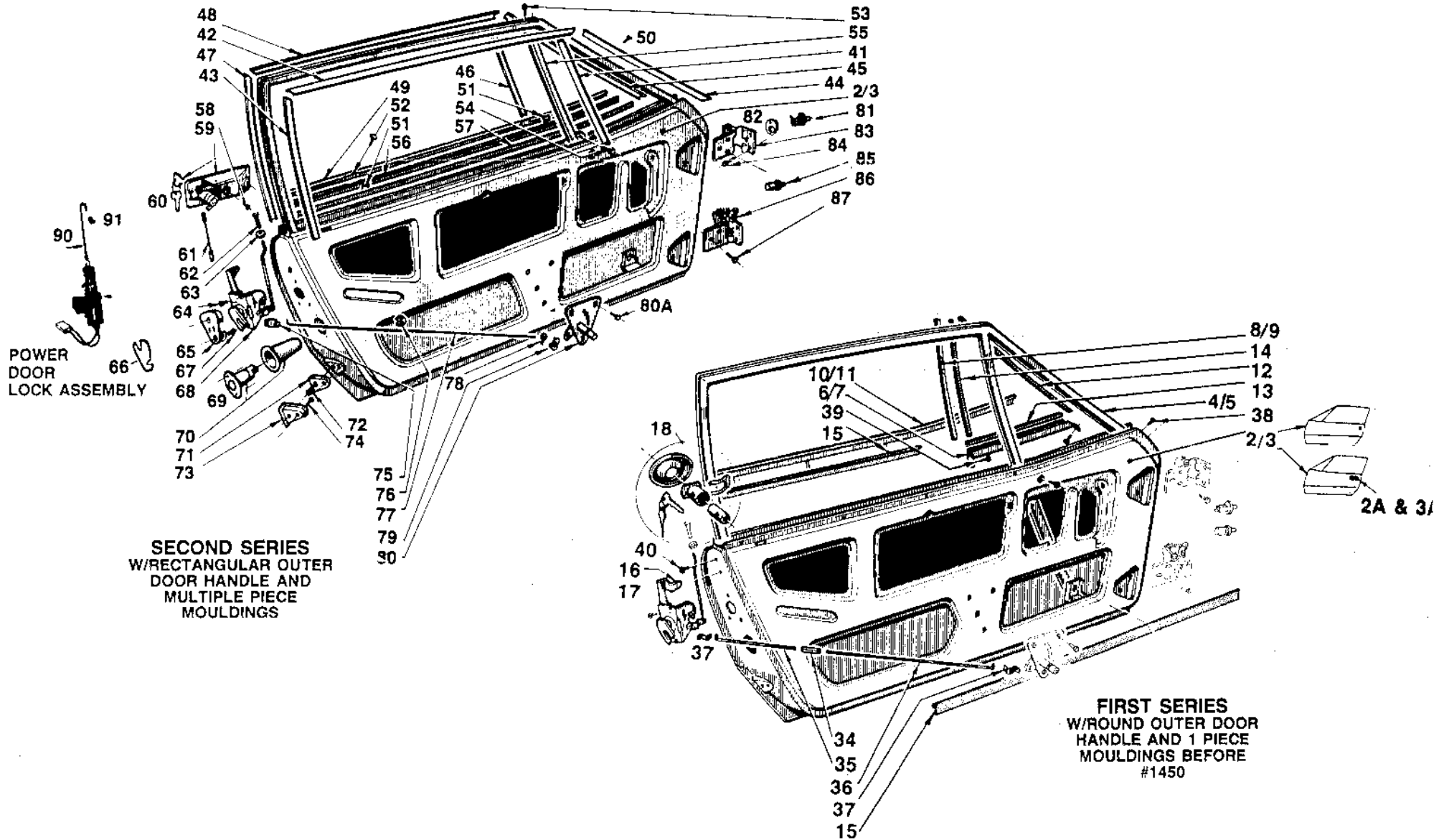
| ILLUSTRATION # | DESCRIPTION | PART # |
|----------------|---|--------|
| 2 | Crossmember Floor Rear Lower | 19200A |
| 3 | Reinforcement | 19201A |
| 4 | Engine Support Member RH | 19202A |
| 4 | Engine Support Assembly RH w/#6 | 19202B |
| 4 | Engine Support Member RH from #9000 | 19202C |
| 5 | Engine Support Member LH | 19203A |
| 5 | Engine Support Assembly LH w/#7 | 19203B |
| 5 | Engine Support Member LH from #9000 | 19203C |
| 6 | Frame Rail Inner RH (w/#4 only) | 19204A |
| 7 | Frame Rail Inner LH (w/#5 only) | 19205A |
| 8 | Crossmember Engine Support Lower | 19206A |
| 9 | Crossmember Engine Support Upper | 19207A |
| 10 | Crossmember Rear Lower Upper | 19208A |
| 11 | Crossmember Rear Lower Lower | 19209A |
| 12 | Bracket Rear Stabilizer RH w/o Transaxle Side Mount | 19210A |
| 13 | Bracket Rear Stabilizer LH w/o Transaxle Side Mount | 19211A |
| 21 | Crossmember Rear Upper Removable (Above Transaxle) | 19212A |
| 26 | Crossmember Rear Tail Light Upper | 19213A |
| 26 | Crossmember Rear Tail Light Upper GT5 (From #9000) | 19213B |
| 27 | Crossmember Rear Body Panel Lower | 19214A |
| 27 | Crossmember Rear Body Panel Lower from #9000 | 19214B |
| 28 | Brace Inner Fender to Crossmember RH | 19215A |
| 29 | Brace Inner Fender to Crossmember LH | 19216A |
| 32 | Rear Wheel House Inner RH | 19217A |
| 32 | Rear Wheel House Inner RH GT5 (From #9000) | 19217B |
| 33 | Rear Wheel House Inner LH | 19218A |
| 33 | Rear Wheel House Inner LH GT5 (From #9000) | 19218B |
| 34-35 | Crossmember Rear Frame Lower Complete w/Transaxle Side Mounts | 19219A |
| 36 | Bracket Rear Stabilizer RH w/Transaxle Side Mount | 19221A |
| 37 | Bracket Rear Stabilizer LH w/Transaxle Side Mount | 19222A |
| 40 | Reinforcement Rear Lower to Car #252B | 19223A |
| 41 | Crossmember Engine Support Lower (Removable) | 19224A |
| 42 | Bracket Emergency Brake Lever (Removable) | 19225A |





Original DeTomaso Pantera Parts

SECTION 20 ILLUSTRATION 31



SECTION 20 ILLUSTRATION 31

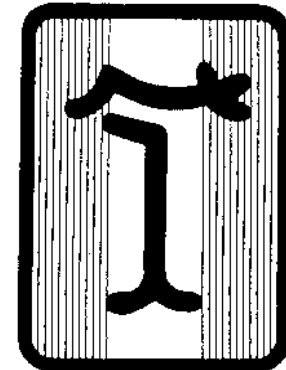
Original DeTomaso Pantera Parts



| ILLUSTRATION # | DESCRIPTION | PART # |
|---------------------------------|---|--------|
| 2 | Door Assembly RH w/Round Outside Handle | 20001A |
| 2 | Door Assembly RH w/Rectangular Outside Handle | 20001B |
| 2 | Door Assembly RH GTS from #9000 | 20001C |
| 2A | Door Skin RH Outer w/Rectangular Outer Handle | 20001D |
| 3 | Door Assembly LH w/Round Outside Handle | 20002A |
| 3 | Door Assembly LH w/Rectangular Outside Handle | 20002B |
| 3 | Door Assembly LH GTS from #9000 | 20002C |
| 3A | Door Skin LH Outer w/Rectangular Outer Handle | 20002D |
| 4 | Door Upper Window Frame RH Before #1450 | 20003A |
| 5 | Door Upper Window Frame LH Before #1450 | 20003A |
| 6 | Channel Lower Front RH Before #1450 | 20005A |
| 7 | Channel Lower Front LH Before #1450 | 20005A |
| 8 | Channel Vertical RH Before #1450 | 20007A |
| 9 | Channel Vertical LH Before #1450 | 20008A |
| 10 | Moulding (Outer) at Belt RH Before #1450 | 20009A |
| 11 | Moulding (Outer) at Belt LH Before #1450 | 20010A |
| 12 | Weather Strip Vent Window Front Before #1450 | 20011A |
| 13 | Weather Strip Vent Window Lower Before #1450 | 20012A |
| 14 | Weather Strip Vent Window Rear Before #1450 | 20013A |
| 15 | Fall Door Glass Outer (Car Whisker) | 20014A |
| 16 | Latch Assembly w/Round Door Handle RH | 20015A |
| 17 | Latch Assembly w/Round Door Handle LH | 20016A |
| 18 | Lock Sub-Keys-Round Handle | 20017A |
| 34 | Connect Door Latch Rod | 20019A |
| 35 | Rod Door Latch Release Rear | 20019A |
| 36 | Rod Door Latch Release Front | 20019B |
| 37 | Retainer Door Latch Rod to Release Control | 20020A |
| 38 | Bolt M6 x 10 x 20mm | 20021A |
| 39 | Screw M6 x 80 x 7mm | 20022A |
| 40 | Bolt M6 x 10 x 15mm | 20022B |
| END OF 1ST SERIES SPECIAL PARTS | | |
| 41 | Moulding (Inner) Vent Post RH Bright Finish | 20023A |
| 41 | Moulding (Inner) Vent Post RH Black Finish | 20023B |
| 41 | Moulding (Inner) Vent Post LH Bright Finish | 20024A |
| 41 | Moulding (Inner) Vent Post LH Black Finish | 20024B |
| 42 | Moulding (Inner) Upper RH Bright Finish | 20025A |
| 42 | Moulding (Inner) Upper RH Black Finish | 20025B |
| 42 | Moulding (Inner) Upper LH Bright Finish | 20026A |
| 42 | Moulding (Inner) Upper LH Black Finish | 20026B |
| 43 | Moulding (Inner) Rear RH Bright Finish | 20027A |
| 43 | Moulding (Inner) Rear RH Black Finish | 20027B |
| 43 | Moulding (Inner) Rear LH Bright Finish | 20028A |
| 43 | Moulding (Inner) Rear LH Black Finish | 20028B |
| 44 | Moulding (Inner) Front RH Bright Finish | 20029A |
| 44 | Moulding (Inner) Front RH Black Finish | 20029B |
| 44 | Moulding (Inner) Front LH Bright Finish | 20030A |
| 44 | Moulding (Inner) Front LH Black Finish | 20030B |
| 45 | Moulding (Outer) Front RH Bright Finish | 20031A |
| 45 | Moulding (Outer) Front RH Black Finish | 20031B |
| 45 | Moulding (Outer) Front LH Bright Finish | 20032A |
| 45 | Moulding (Outer) Front LH Black Finish | 20032B |
| 46 | Moulding (Outer) Vent Post RH Bright Finish | 20033A |

| | | |
|----|---|--------|
| 46 | Moulding (Outer) Vent Post RH Black Finish | 20033B |
| 46 | Moulding (Outer) Vent Post LH Bright Finish | 20034A |
| 46 | Moulding (Outer) Vent Post LH Black Finish | 20034B |
| 47 | Moulding (Outer) Rear RH Bright Finish | 20035A |
| 47 | Moulding (Outer) Rear RH Black Finish | 20035B |
| 47 | Moulding (Outer) Rear LH Bright Finish | 20036A |
| 47 | Moulding (Outer) Rear LH Black Finish | 20036B |
| 48 | Moulding (Outer) Upper RH Bright Finish | 20037A |
| 48 | Moulding (Outer) Upper RH Black Finish | 20037B |
| 48 | Moulding (Outer) Upper LH Bright Finish | 20038A |
| 48 | Moulding (Outer) Upper LH Black Finish | 20038B |
| 49 | Moulding (Outer) Lower at Belt RH Bright Finish | 20039A |
| 49 | Moulding (Outer) Lower at Belt RH Black Finish | 20039B |
| 49 | Moulding (Outer) Lower at Belt LH Bright Finish | 20040A |
| 49 | Moulding (Outer) Lower at Belt LH Black Finish | 20040B |
| 50 | Panel Inner Moulding to Door | 20041A |
| 50 | Screw Inner Moulding to Door (Counter Sink) | 20042A |
| 51 | Cap Door Glass Fell to Door | 20043A |
| 52 | Screw Door Glass Fell to Door Outer | 20044A |
| 53 | Screw Vent Post to Door Frame (Upper) M6 x 10 x 8mm | 20045A |
| 54 | Bolt Vent Post to Door (Lower) M6 x 10 x 15mm | 20046A |
| 55 | Post Vent Window RH | 20046A |
| 55 | Post Vent Window LH | 20047A |
| 55 | Fell Door Glass Outer (Car Whisker) | 20048A |
| 57 | Fell Door Glass Inner (Car Whisker) | 20049A |
| 58 | Bolt Door Handle to Door M6 x 80 x 10mm | 20050A |
| 59 | Lock Set Complete (Door Handles and Rear Trunk Key) | 20051A |
| | Rectangular | 20051A |
| 60 | Key Blank Door & Rear Trunk | 18132A |
| 61 | Rod Outside Door Handle to Latch R&L | 20057A |
| 62 | Knob Door Lock | 20058A |
| 63 | Grommet Door Lock Knob to Door Panel | 20059A |
| 64 | Screw Door Latch to Door M6 x 10 x 10mm | 20059A |
| 65 | Striker Door Latch RH | 20059A |
| 65 | Striker Door Latch LH | 20059A |
| 66 | Screw Door Latch Striker | 20059A |
| 67 | Bolt Door Striker M6 x 125 x 25mm | 20059A |
| 68 | Latch Assembly w/Rectangular Door Handle RH After #1450 | 20015B |
| 68 | Latch Assembly w/Rectangular Door Handle LH After #9000 GTS | 20016C |
| 68 | Latch Assembly w/Rectangular Door Handle LH After #1450 | 20016B |
| 68 | Latch Assembly w/Rectangular Door Handle LH After #9000 GTS | 20016C |
| 69 | Lamp Assembly Door (Rear) Red Lens w/Chrome Bazel | 20057A |
| 69 | Lamp Assembly Door (Rear) GTS Red Lens w/Chrome Bazel | 20057B |
| 70 | Rod Door Lamp (Used with Lamp 20057A) | 20058A |
| 71 | Bumper Lower Door Stop | 20060A |
| 72 | Bolt Door Bumper M6 x 10 x 15mm | 20060A |
| 73 | Striker RH Chrome | 20061A |
| 73 | Striker RH & LH GTS Chrome from #9000 | 20061B |

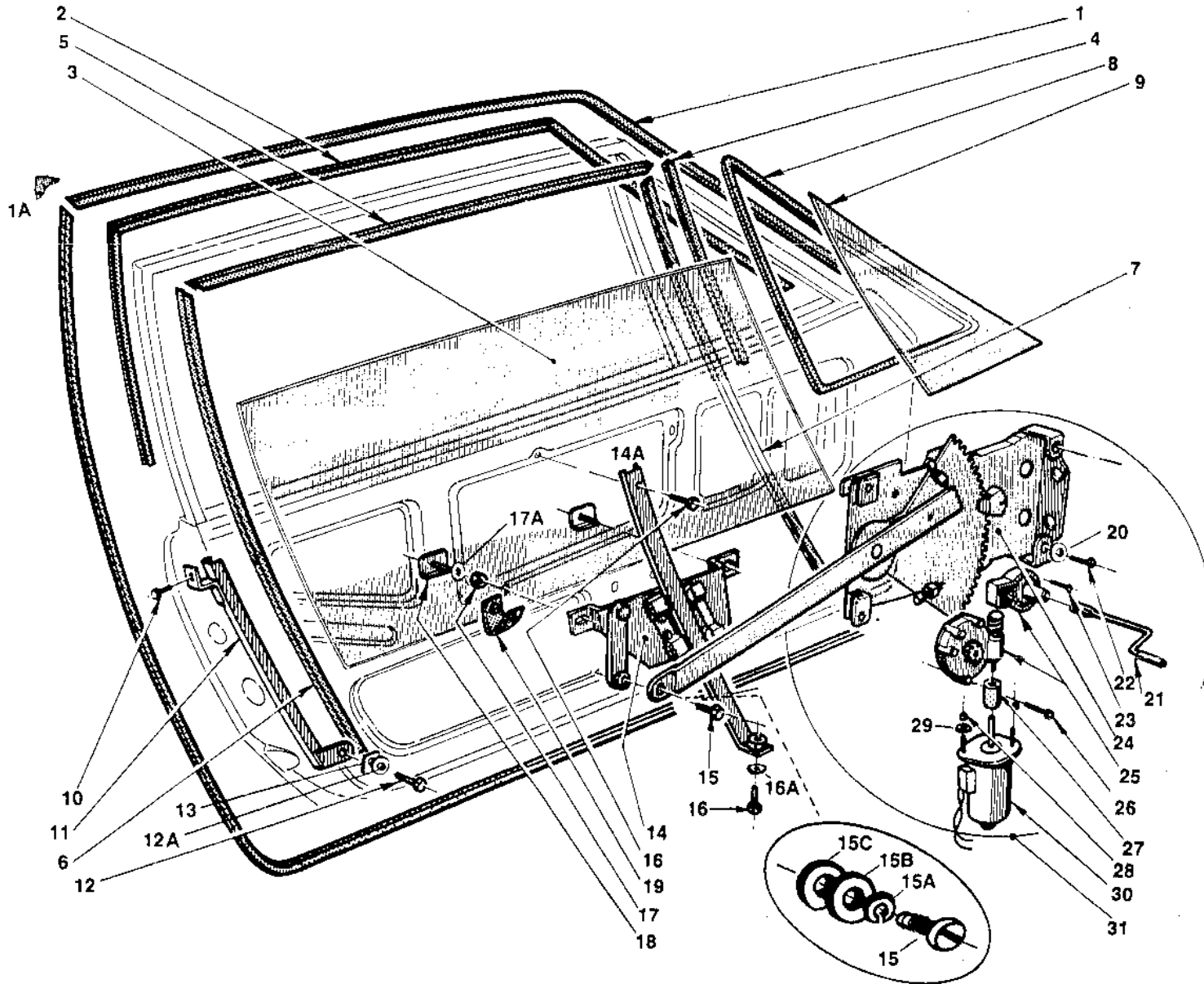
| | | |
|-----|---|--------|
| 73 | Striker LH Chrome | 20062A |
| 74 | Screw Striker to Body M6 x 80 x 7mm | 20027A |
| 75 | Retainer Door Latch Rod to Latch End | 20020B |
| 76 | Guide Door Latch Rod | 20063A |
| 77 | Rod Door Latch to Remote Control | 20019C |
| 78 | Link (Door Latch Rod Adjuster) | 20064A |
| 79 | Retainer Door Latch Rod at Inner Handle | 20020C |
| 80 | Control Assembly Door Latch Remote RH | 20065A |
| 80 | Control Assembly Door Latch Remote LH | 20066A |
| 80A | Bolt Remote Control to Door M5 x 80 x 10mm | 20066A |
| 81 | Switch Courtesy Light on Door Post | 20067A |
| 82 | Gasket Courtesy Switch to Post | 20068A |
| 83 | Hinge Door Upper R&L | 20069A |
| 84 | Bolt Door Hinge to Door Post M6 x 10 x 15mm | 20070A |
| 85 | Switch Door & Seat Belt Warning | 20071A |
| 86 | Hinge Door Lower RH | 20072A |
| 86 | Hinge Door Lower LH | 20073A |
| 87 | Bolt Door Hinge to Door M6 x 125 x 25mm | 18111A |
| 88 | Washer Door Hinge Bolt to Door | 18113B |
| 89 | Motor Power Door Lock RH GTS | 20078A |
| 89 | Motor Power Door Lock LH GTS | 20078A |
| 90 | Rod Power Door Lock Motor to Latch RH | 20079A |
| 90 | Rod Power Door Lock Motor to Latch LH | 20079B |
| 91 | Clip Rod to Latch | 20080A |





Original DeTomaso Pantera Parts

SECTION 20 ILLUSTRATION 32



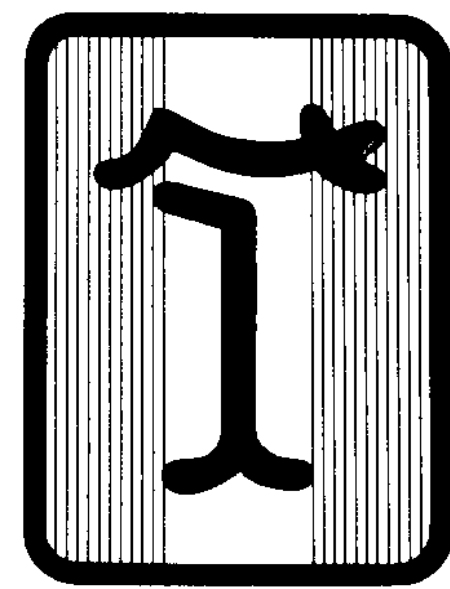
SECTION 20 ILLUSTRATION 32

Original DeTomaso Pantera Parts



| ILLUSTRATION # | DESCRIPTION | PART # |
|----------------|--|--------|
| 1 | Weatherstrip Door Opening on Body R & L | 20200A |
| 1A | Corner Cap Door Opening Weatherstrip | 20201A |
| 2 | Weatherstrip Door Top RH | 20202A |
| 2 | Weatherstrip Door Top LH | 20203A |
| 3 | Glass Door RH (Tinted) | 20204A |
| 3 | Glass Door LH (Tinted) | 20205A |
| 4 | Felt Door Glass Run Front | 20206A |
| 5 | Felt Door Glass Run Upper | 20206B |
| 6 | Felt Door Glass Run Rear | 20206C |
| 7 | Glass Run Front Before #1450 | 20207A |
| 8 | Weatherstrip Door Vent Window | 20208A |
| 9 | Glass Door Vent Window RH (Tinted) | 20209A |
| 9 | Glass Door Vent Window LH (Tinted) | 20210A |
| 10 | Screw Glass Run to Door Rear Upper (Chrome) | 20211A |
| 11 | Glass Run Rear RH Metal | 20212A |
| 11 | Glass Run Rear LH Metal | 20213A |
| 12 | Bolt Glass Run to Door Lower M6 x 1 x 10mm | 20214A |
| 12A | Flat Washer 6mm | 11020C |
| 13 | Spacer Glass Run to Door | 20215A |
| 14 | Bracket Assembly Door Glass RH | 20216A |
| 14 | Bracket Assembly Door Glass LH | 20217A |
| 14A | Track Assembly Door Glass RH | 20216B |
| 14A | Track Assembly Door Glass LH | 20217B |
| 15 | Bolt Regulator to Arm | 20211A |
| 15A | Spring Washer | 20218A |
| 15B | Washer Steel | 20219A |
| 15C | Washer Fiber | 20220A |
| 16 | Bolt Track to Door M6 x 1 x 12mm | 20214A |
| 16A | Flat Washer 6mm | 11020C |
| 17 | Nut Glass Retainer M6 x 1 | 11020B |
| 17A | Flat Washer 6mm | 11020C |
| 18 | Retainer Door Glass to Bracket | 20221A |
| 19 | Insulator Door Glass to Retainer | 20222A |
| 19 | Insulator Door Glass to Retainer from #9000 | 20222B |
| 20 | Flat Washer M6 | 11020C |
| 21 | Handle Emergency Window Crank | 20223A |
| 22 | Bolt Regulator to Door M6 x 1 x 12mm | 20224A |
| 23 | Bolt Gear Box to Regulator M4 x .70 x 25mm | 20224B |
| 24 | Regulator without Gear RH | 20225A |
| 24 | Regulator without Gear RH GT5 (From #9000) | 20225B |
| 24 | Regulator without Gear LH | 20226A |
| 24 | Regulator without Gear LH GT5 (From #9000) | 20226B |
| 25 | Gear Kit Complete RH | 20227A |
| 25 | Gear Kit RH GT5 Serviced w/Regulator Assembly Only | |
| 25 | Gear Kit Complete LH | 20228A |
| 25 | Gear Kit LH GT5 Serviced w/Regulator Assembly Only | |
| 26 | Bolt Gear Box to Regulator | 16042A |
| 27 | Coupling Gear Box to Motor | 20229A |
| 28 | Nut Window Motor to Regulator M5 x .08 | 16033A |
| 29 | Insulator Power Window Motor to Bracket | 16047A |
| 30 | Motor Power Window (Before #9000) | 16046A |
| 31 | Regulator w/Motor & Gear w/o #21 RH | 20232A |

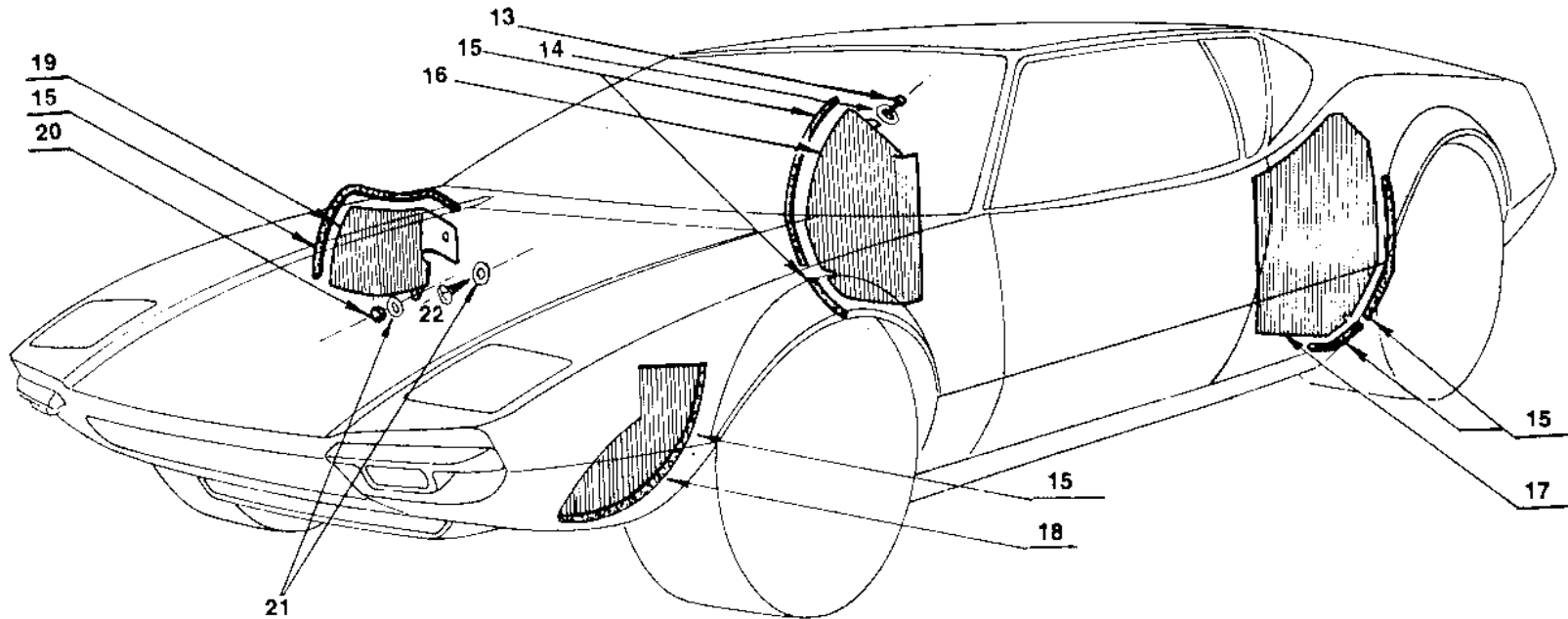
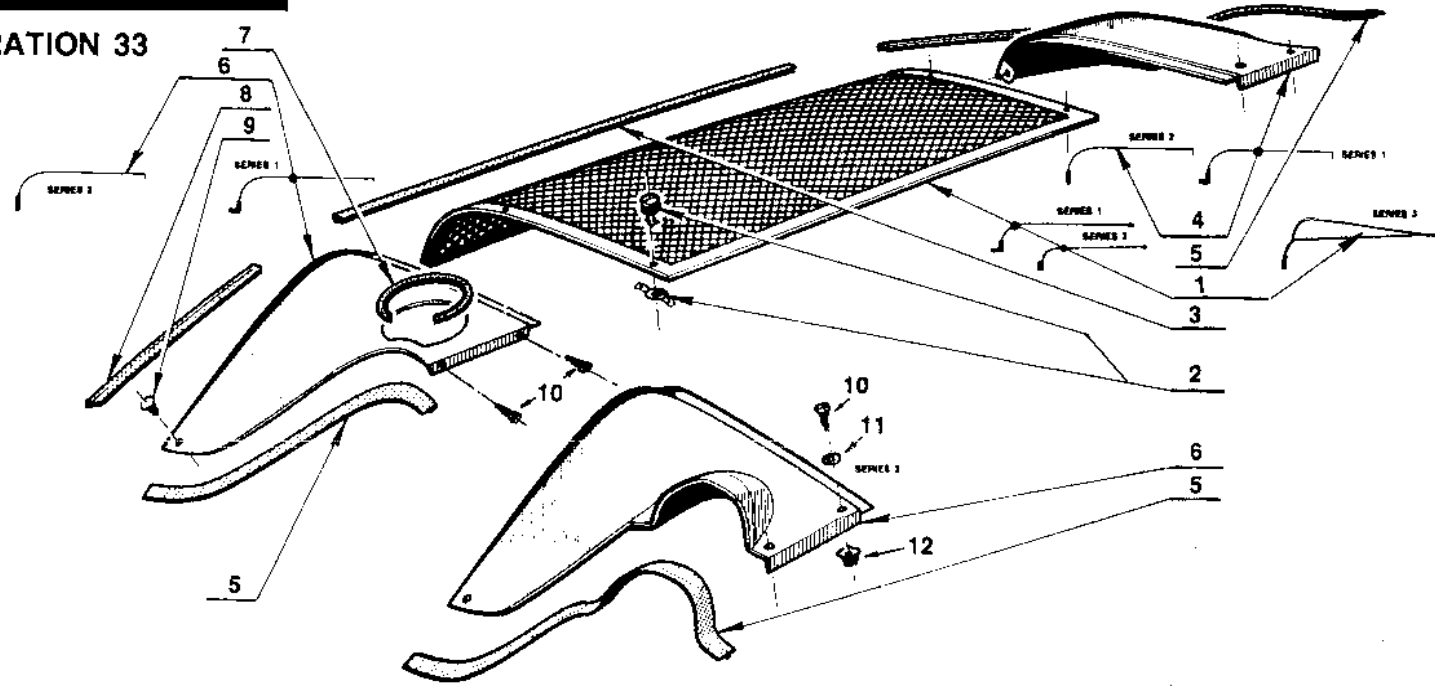
| | | |
|----|--|--------|
| 31 | Regulator with Motor GT5 RH (From #9000) | 20232B |
| 31 | Regulator w/Motor & Gear w/o #21 LH | 20233A |
| 31 | Regulator with Motor GT5 LH (From #9000) | 20233B |





Original DeTomaso Pantera Parts

SECTION 21 ILLUSTRATION 33

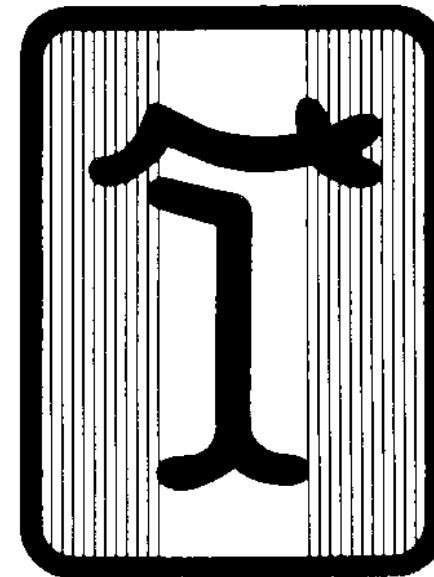


SECTION 21 ILLUSTRATION 33

Original DeTomaso Pantera Parts



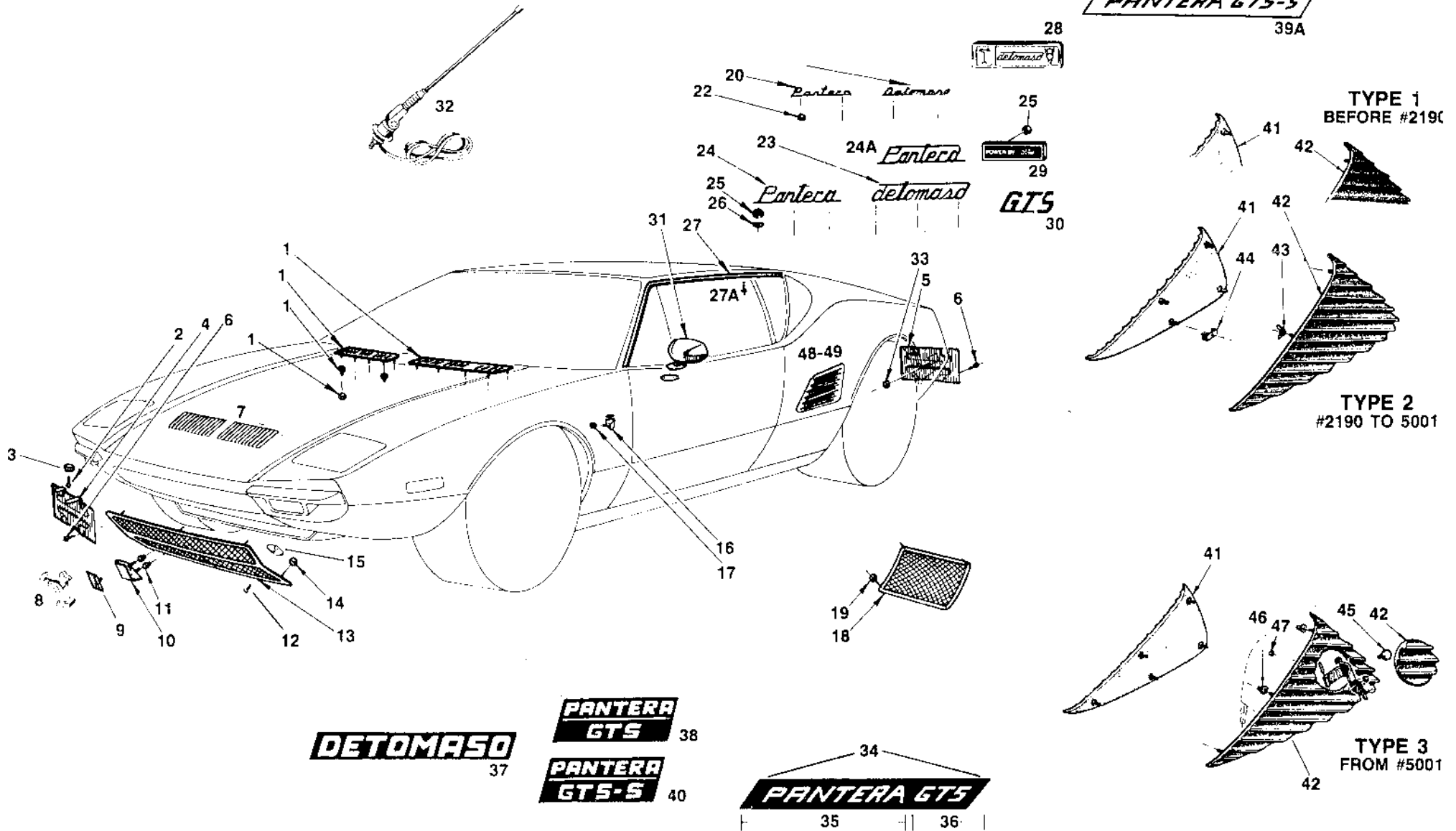
| ILLUSTRATION # | DESCRIPTION | PART # |
|----------------|--|--------|
| 1 | Grille Center Over Engine Before #1285 N/R | 21001A |
| 1 | Grille Center Over Engine From #1285 to #2002 1st Series | 21001B |
| 1 | Grille w/o Fuel Filler 2nd Series | 21001C |
| 1 | Grille w/External Fuel Filler (Center Raised) 3rd Series | 21001D |
| 2 | Fastener Grille to Shield (Dzus Type) | 18129B |
| 3 | Weather Strip Center | 21001A |
| 4 | Shield Engine Cover RH 1st Series | 21003A |
| 4 | Shield Engine Cover RH 2nd Series | 21003B |
| 4 | Shield Engine Cover RH 3rd Series w/Access Hole | 21003C |
| 4 | Shield Engine Cover RH GT5 (From #9000) | 21003D |
| 5 | Weather Strip Shield to Body R&L | 21004A |
| 6 | Shield Engine Cover LH 1st Series | 21005A |
| 6 | Shield Engine Cover LH 2nd Series | 21005B |
| 6 | Shield Engine Cover LH 3rd Series w/External Fuel Filler | 21005C |
| 6 | Shield Engine Cover LH GT5 (From #9000) | 21005D |
| 7 | Irim Fuel Filler Opening & Access Hole | 21006A |
| 8 | Weather Strip Shield Front R&L | 21007A |
| 9 | Plug | 21008A |
| 10 | Screw Shield to Bracket (On Side) #6 x 3/4 Sheet Metal | 21009A |
| 10 | Screw Shield to Bracket Used w/Anchor (On Top) | 21009B |
| 11 | Flat Washer | 14029B |
| 12 | Anchor Used w/Top Screws On Shields | 21009C |
| 13 | Bolt Splash Shield to Body M6 x 1.0 x 12 | 20224A |
| 14 | Flat Washer Body Type | 09033A |
| 15 | Weather Strip Shield to Body RR | 21010A |
| 15 | Weather Strip Shield to Body LR | 21010A |
| 15 | Weather Strip Shield to Body R&L Front | 21010C |
| 15 | Weather Strip Wiper Cover to Body | 17017A |
| 16 | Shield 1/4 Panel Splash RH | 21011A |
| 16 | Shield 1/4 Panel Splash GT5 RH | 21011B |
| 16 | Shield 1/4 Panel Splash RH GT5-S | 21011C |
| 17 | Shield 1/4 Panel Splash LH w/External Fuel Filler | 21012A |
| 17 | Shield 1/4 Panel Splash GT5 | 21012B |
| 17 | Shield 1/4 Panel Splash LH GT5-S | 21012C |
| 18 | Shield Front Fender Splash | 21013A |
| 18 | Shield Front Fender Splash GT5 RH | 21013B |
| 18 | Shield Front Fender Splash GT5 LH | 21013C |
| 18 | Shield Front Fender Splash GT5-S RH | 21013D |
| 18 | Shield Front Fender Splash GT5-S LH | 21013E |
| 19 | Shield Wiper Motor Splash | 17016A |
| 19 | Shield Wiper Motor Splash GT5 (From #9000) | 17016B |
| 19 | Shield Wiper Motor Splash GT5-S | 17016C |
| 20 | Nut Splash Shield Retaining M6 x 1.0 | 11020B |
| 21 | Flat Washer Splash Shield Retaining Body Type | 09033A |
| 22 | Screw Wiper Shield Retaining Sheet Metal #8 x 1/2" | 17017B |





Original DeTomaso Pantera Parts

SECTION 22 ILLUSTRATION 34



SECTION 22 ILLUSTRATION 34

Original DeTomaso Pantera Parts



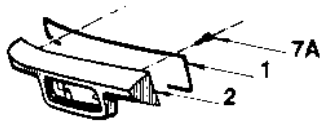
| ILLUSTRATION # | DESCRIPTION | PART # |
|----------------|---|--------|
| 1 | Wiper Cowls (See Section 17 Illustration 25) | |
| 2 | Bolt License Plate Bracket to Bumper M5 x .80 x 12mm | 22001A |
| 3 | Nut License Plate Bracket to Bumper M5 x .80 | 01331B |
| 4 | Bracket Front License Plate Small Bumpers (Europe) | 22002A |
| 4 | Bracket Front License Plate Small Bumpers (U.S.A.) | 22002B |
| 4 | Bracket Front License Plate 1 Piece Front Rubber Bumper | 22002C |
| 5 | Bracket Rear License Plate (Europe) | 22003A |
| 5 | Bracket Rear License Plate (U.S.A.) | 22003B |
| 6 | Screw License Plate to Bracket (Chrome Phillips) | 22004A |
| 7 | Hood Grilles (See Section 18, Illustration #27) | |
| 8 | Emblem DeTomaso T Front Grille 3" | 22005A |
| 8 | Emblem DeTomaso T Front Grille 3-3/4" | 22005B |
| 9 | Emblem DeTomaso Crest (Blue & White) on Grille | 22006A |
| 10 | Bezel Emblem to Grille | 22007A |
| 11 | Nut Emblem to Bezel M4 x .70 | 11032A |
| 11 | Nut Bezel to Grille M4 x .70 | 11032A |
| 12 | Screw Grille to Body (Counter Sunk Sheet Metal) | 22009A |
| 13 | Grille Radiator Opening w/Studs | 22010A |
| 13 | Grille Radiator Opening w/o Studs | 22010B |
| 14 | Nut Grille Fastening for 22010A Grille M4 x .70 | 11032A |
| 15 | Clip Grille Fastening for 22010B Grille | 13021A |
| 16 | Emblem Ghia Crest | 22011A |
| 17 | Nut Emblem to Body M3 x .60 | 22012A |
| 18 | Grille Air Conditioner Condenser | 22013A |
| 19 | Nut Grille to Body M5 x .80 | 01331B |
| 20 | Pantera Script (Small) w/Nuts | 13032A |
| 21 | DeTomaso Script (Small) w/Nuts | 13033A |
| 22 | Nut Emblem to Body | 13033B |
| 23 | DeTomaso Script | 22014A |
| 24 | Pantera Script | 22015A |
| 24A | Pantera Script w/Connecting Bar | 22015B |
| 25 | Nut Pantera & DeTomaso Emblem/Barrel Type | 18141A |
| 26 | Clip Emblem to Body | 22016A |
| 27 | Moulding Roof Drip Rail RH Bright Finish | 22017A |
| 27 | Moulding Roof Drip Rail RH Black Finish | 22017B |
| 27A | Pop Rivet (Bright Finish) | 22017C |
| 27A | Pop Rivet (Black Finish) | 22017D |
| 27 | Moulding Roof Drip Rail LH Bright Finish | 22018A |
| 27 | Moulding Roof Drip Rail LH Black Finish | 22018B |
| 28 | Emblem DeTomaso V8 Rear Deck Lid | 18140B |
| 29 | Emblem Power by Ford Rear Deck Lid | 18140A |
| 30 | Emblem GTS and GT5 Rear | 22019A |
| 31 | Mirror Outside Rear View LH Chrome Rectangular | 22020A |
| 31 | Mirror RH Electrical GT5 | 22020B |
| 31 | Mirror LH Electrical GT5 | 22020C |
| 31 | Mirror RH Manual GT5 | 22020D |
| 31 | Mirror LH Manual GT5 | 22020E |
| 32 | Antenna Roof Mount Bright Finish | 22021A |
| 32 | Antenna Roof Mount Black Finish | 22021B |
| 33 | Nut Rear License Plate Bracket to Body M5 x .80 | 16033A |
| 34 | Stripe Pantera GTS (1 Side) White 74 GTS | 22022A |
| 35 | Stripe Pantera Black (1 Side) | 22023A |

| | | |
|-----|---|--------|
| 35 | Stripe Pantera Gold (1 Side) | 22023B |
| 35 | Stripe Pantera Silver (1 Side) | 22023C |
| 35 | Stripe Pantera Red (1 Side) | 22023D |
| 35 | Stripe Pantera White (1 Side) | 22023E |
| 35 | Stripe Pantera Sky Blue (1 Side) | 22023F |
| 35 | Stripe Pantera Yellow (1 Side) | 22023G |
| 35 | Stripe Pantera Blue (1 Side) | 22023H |
| 35 | Stripe Pantera Brown (1 Side) | 22023I |
| 35 | Stripe Pantera Green (1 Side) | 22023J |
| 36 | Stripe GTS Black (1 Side) | 22024A |
| 36 | Stripe GTS Gold (1 Side) | 22024B |
| 36 | Stripe GTS Silver (1 Side) | 22024C |
| 36 | Stripe GTS Red (1 Side) | 22024D |
| 36 | Stripe GTS White (1 Side) | 22024E |
| 37 | Stripe DeTomaso White (1 Side) | 22025A |
| 37 | Stripe DeTomaso Black (1 Side) | 22025B |
| 37 | Stripe DeTomaso Gold (1 Side) | 22025C |
| 37 | Stripe DeTomaso Silver (1 Side) | 22025D |
| 38 | Stripe Pantera GT5 White (1 Side) | 22026A |
| 38 | Stripe Pantera GT5 Black (1 Side) | 22026B |
| 38 | Stripe Pantera GT5 Gold (1 Side) | 22026C |
| 38 | Stripe Pantera GT5 Silver (1 Side) | 22026D |
| 39 | Stripe Pantera GT5 White Rear Deck Lid | 22027A |
| 39 | Stripe Pantera GT5 Black Rear Deck Lid | 22027B |
| 39 | Stripe Pantera GT5 Gold Rear Deck Lid | 22027C |
| 39 | Stripe Pantera GT5 Silver Rear Deck Lid | 22027D |
| 39A | Stripe Pantera GT5-S White Rear Deck Lid | 22032A |
| 39A | Stripe Pantera GT5-S Black Rear Deck Lid | 22032B |
| 39A | Stripe Pantera GT5-S Gold Rear Deck Lid | 22032C |
| 39A | Stripe Pantera GT5-S Silver Rear Deck Lid | 22032D |
| 40 | Stripe Pantera GT5-S White (1 Side) 1/4 Panel | 22033A |
| 40 | Stripe Pantera GT5-S Black (1 Side) 1/4 Panel | 22033B |
| 40 | Stripe Pantera GT5-S Gold (1 Side) 1/4 Panel | 22033C |
| 40 | Stripe Pantera GT5-S Silver (1 Side) 1/4 Panel | 22033D |
| 41 | Ornament Roof Side RH Type 1 | 22028A |
| 41 | Ornament Roof Side RH Type 2 | 22028B |
| 41 | Ornament Roof Side RH Type 3 | 22028C |
| 42 | Ornament Roof Side LH Type 1 | 22029A |
| 42 | Ornament Roof Side LH Type 2 w/o Fuel Filler | 22029B |
| 42 | Ornament Roof Side LH w/Fuel Filler (Assembly Only) | 09038A |
| 43 | Nut Ornament to Body (Wing Type) | 22030A |
| 44 | Bracket Ornament to Body | 22031A |
| 45 | Bumper Fuel Filler Door Stop | 09039A |
| 46 | Retainer Ornament to Body (Plastic) | 09040A |
| 47 | Nut Ornament to Body M5 x .80 | 09042A |
| 48 | Grille Air Intake GT5-S RH | 18030B |
| 49 | Grille Air Intake GT5-S LH | 18030C |

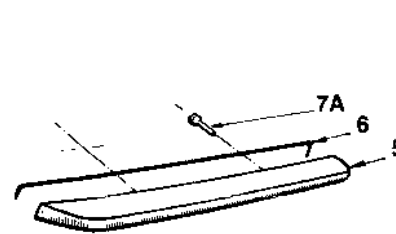
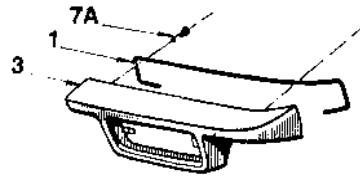


Original DeTomaso Pantera Parts

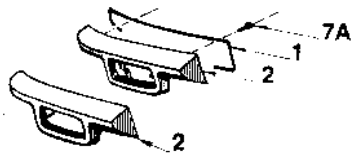
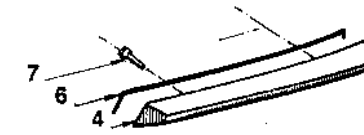
SECTION 23 ILLUSTRATION 35



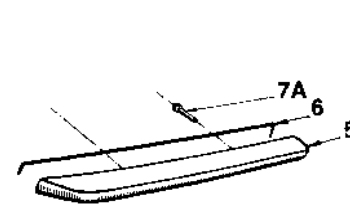
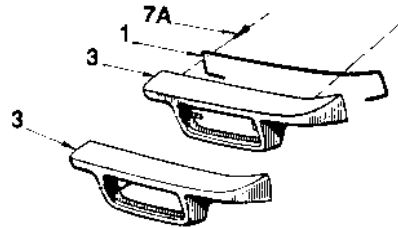
FIRST SERIES



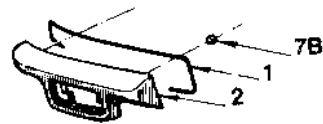
FIRST SERIES



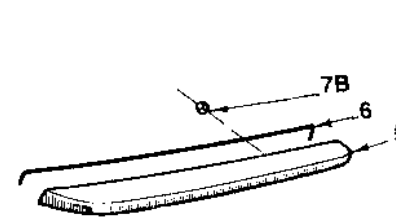
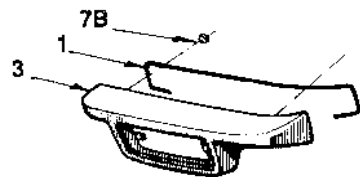
SECOND SERIES
EUROPE AND OTHER



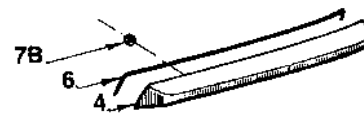
SECOND SERIES
EUROPE AND OTHER



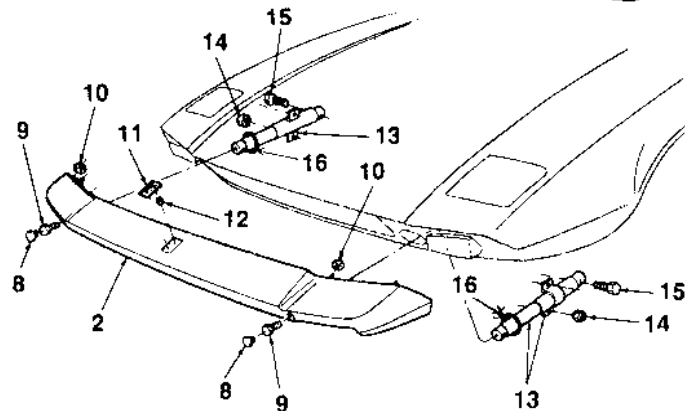
THIRD SERIES



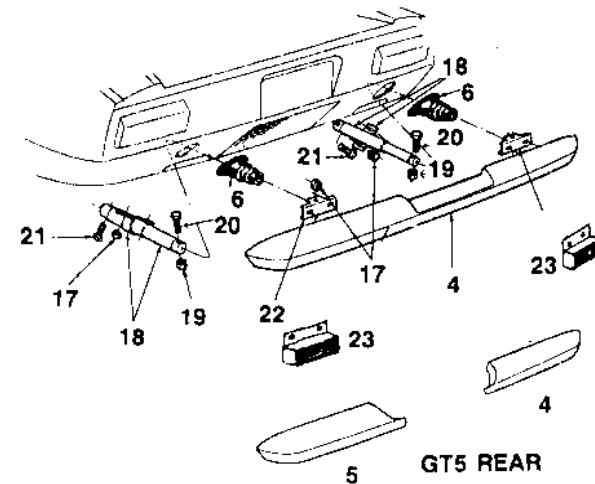
THIRD SERIES



NOTE: WHEN ORDERING,
SPECIFY THE COUNTRY.



GT5 FRONT



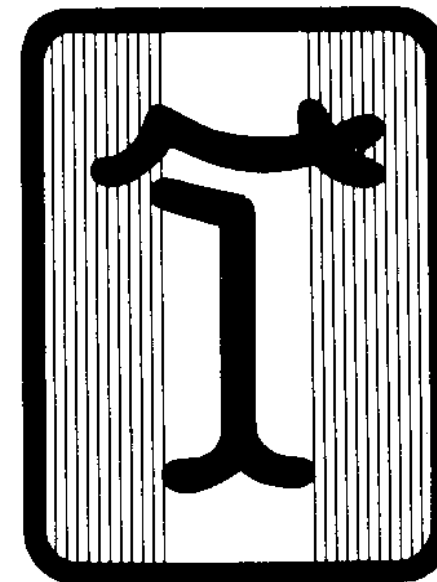
GT5 REAR

SECTION 23 ILLUSTRATION 35

Original DeTomaso Pantera Parts



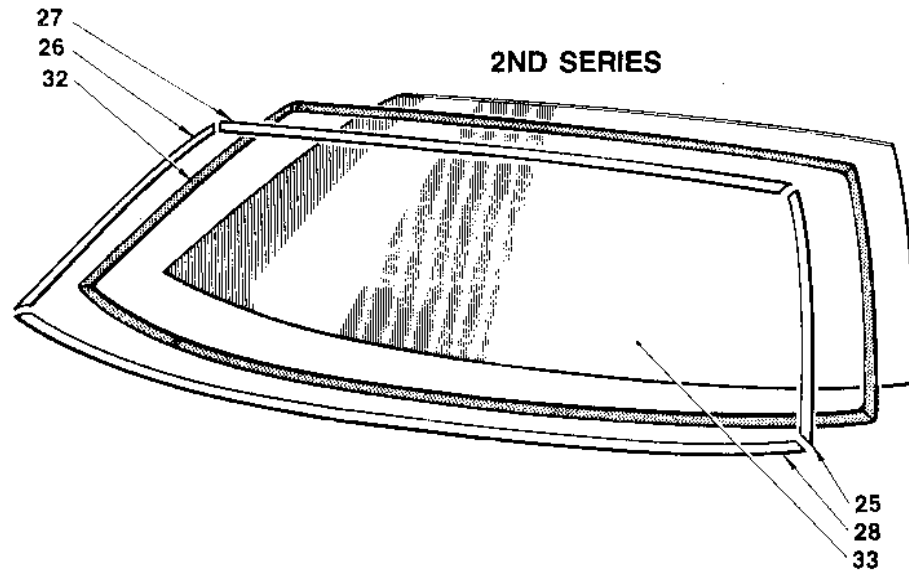
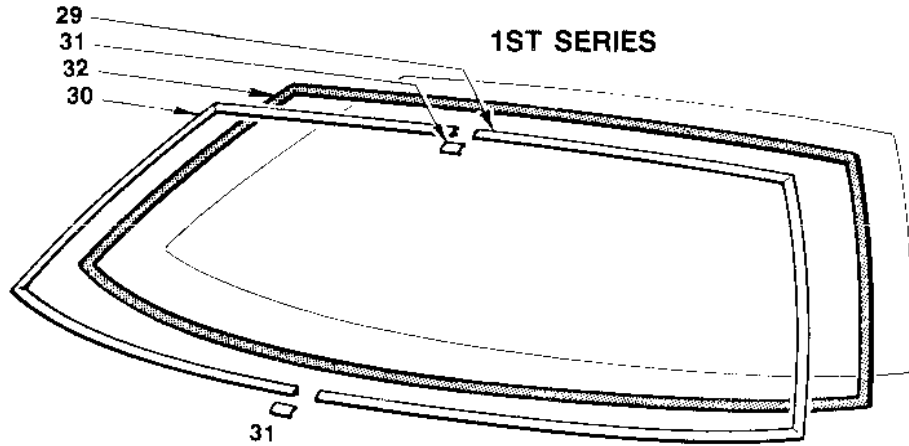
| ILLUSTRATION # | DESCRIPTION | PART # |
|----------------|---|--------|
| 1 | Gasket Front Bumper to Body | 23001A |
| 2 | Bumper Front RH w/Square Inboard Corner 1st Series | 23002A |
| 2 | Bumper Front RH (Europe) w/Sqaure Inboard Corner 2nd Series | 23002B |
| 2 | Bumper Front RH w/Round Inboard Corner 3rd Series | 23002C |
| 2 | Bumper Front 1 Piece Rubber | 23002D |
| 2 | Bumper Front GT5 (Europe) w/o Park Light RH Fiberglass | 23002E |
| 2 | Bumper Front RH GT5 Black w/Round Corner | 23002F |
| 2 | Bumper Front RH w/o Park Lamp Chrome | 23002G |
| 3 | Bumper Front LH w/Square Inboard Corner 1st Series | 23003A |
| 3 | Bumper Front LH (Europe) w/Square Inboard Corner 2nd Series | 23003B |
| 3 | Bumper Front LH w/Round Inboard Corner 3rd Series | 23003C |
| 3 | Bumper Front GT5 (Europe) w/o Park Light LH Fiberglass | 23003D |
| 3 | Bumper Front LH GT5 Black w/Rouond Corner | 23003E |
| 3 | Bumper Front LH w/o Park Lamp Chrome | 23003F |
| 4 | Bumper Rear RH w/Square Inboard Corner 1st Series | 23004A |
| 4 | Bumper Rear RH (Europe) w/Square Inboard Corner 2nd Series | 23004B |
| 4 | Bumper Rear RH w/Round Inboard Corner 3rd Series | 23004C |
| 4 | Bumper Rear 1 Piece Black | 23004D |
| 4 | Bumper Rear 1 Piece Chrome | 23004E |
| 4 | Bumper Rear GT5 (Europe) RH Fiberglass | 23004F |
| 4 | Bumper Right Rear Black w/Round Corner | 23004G |
| 5 | Bumper Rear LH w/Square Inboard Corner 1st Series | 23005A |
| 5 | Bumper Rear LH w/Square Inboard Corner 2nd Series | 23005B |
| 5 | Bumper Rear LH w/Round Inboard Corner 3rd Series | 23005C |
| 5 | Bumper Rear GT5 (Europe) LH Fiberglass | 23005D |
| 5 | Bumper Left Rear Black w/Round Corner | 23005E |
| 6 | Gasket Rear Bumper to Body | 23001A |
| 6 | Seal Rear Bumper to Body w/Isolators | 23001B |
| 7A | Bolt Bumper to Body M8 x 1.25 x 35mm | 03016A |
| 7B | Nut Bumper to Body M6 x 1 | 11020B |
| 8 | Cap Front Bumper Bolt Hole | 23006A |
| 9 | Bolt Bumper to Isolator M8 x 1.25 x 25mm | 18113A |
| 10 | Nut Front Bumper to Body M5 x .80 | 16033A |
| 11 | Emblem DeTomaso Crest (Blue & White) | 22006A |
| 11 | Emblem Ghia Crest 74 GT5 | 22006B |
| 12 | Nut Emblem to Bumper M4 x .70 | 11032A |
| 13 | Isolator Front Bumper to Body | 23007A |
| 14 | Nut Isolator to Body M8 x 1.25 | 23008A |
| 15 | Bolt Isolator to Body | 23009A |
| 16 | Seal Isolator to Body | 23001C |
| 17 | Nut Isolator to Body M8 x 1.25 | 23008A |
| 18 | Isolator Rear Bumper to Body | 23007B |
| 18 | Bracket Rear Bumper to Body from #9000 | 23007C |
| 19 | Nut Bracket to Isolator M14 x 1.5 | 23008A |
| 20 | Bolt Bracket to Isolator M14 x 1.5 x 65mm | 23010A |
| 21 | Bolt Isolator to Body | 23009A |
| 22 | Bracket Bumper to Isolator L & R | 23011A |
| 23 | Reflector Rear Bumper | 23012A |



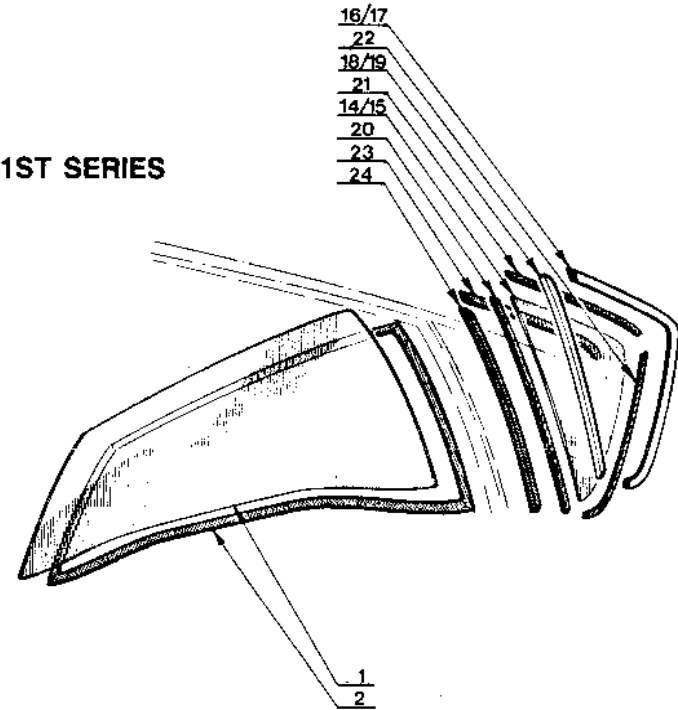


Original DeTomaso Pantera Parts

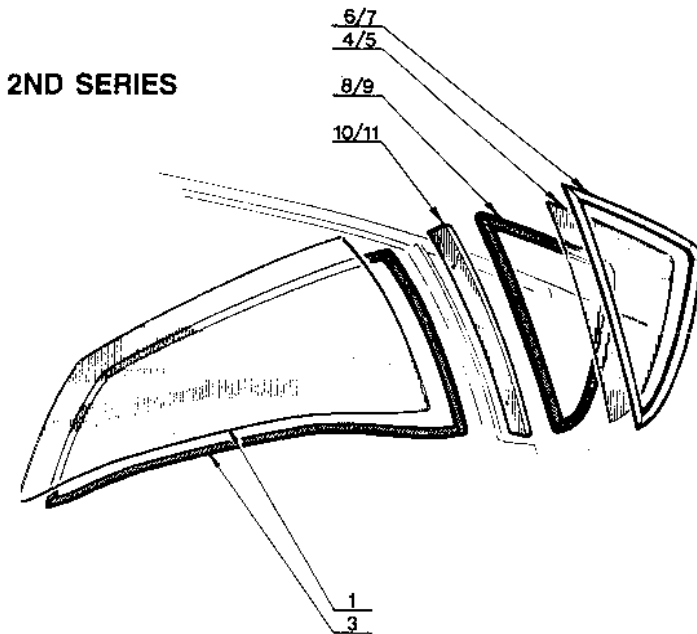
SECTION 24 ILLUSTRATION 36



1ST SERIES



2ND SERIES

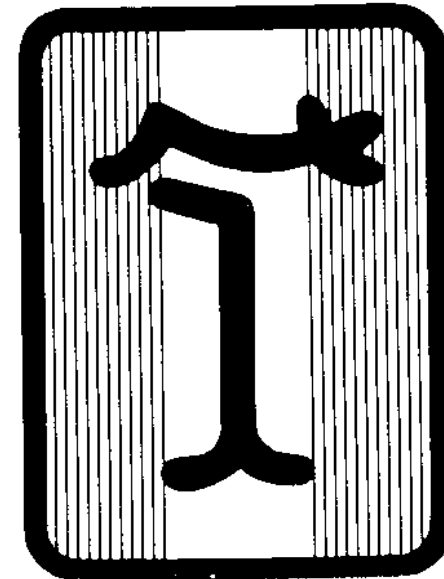


SECTION 24 ILLUSTRATION 36

Original DeTomaso Pantera Parts



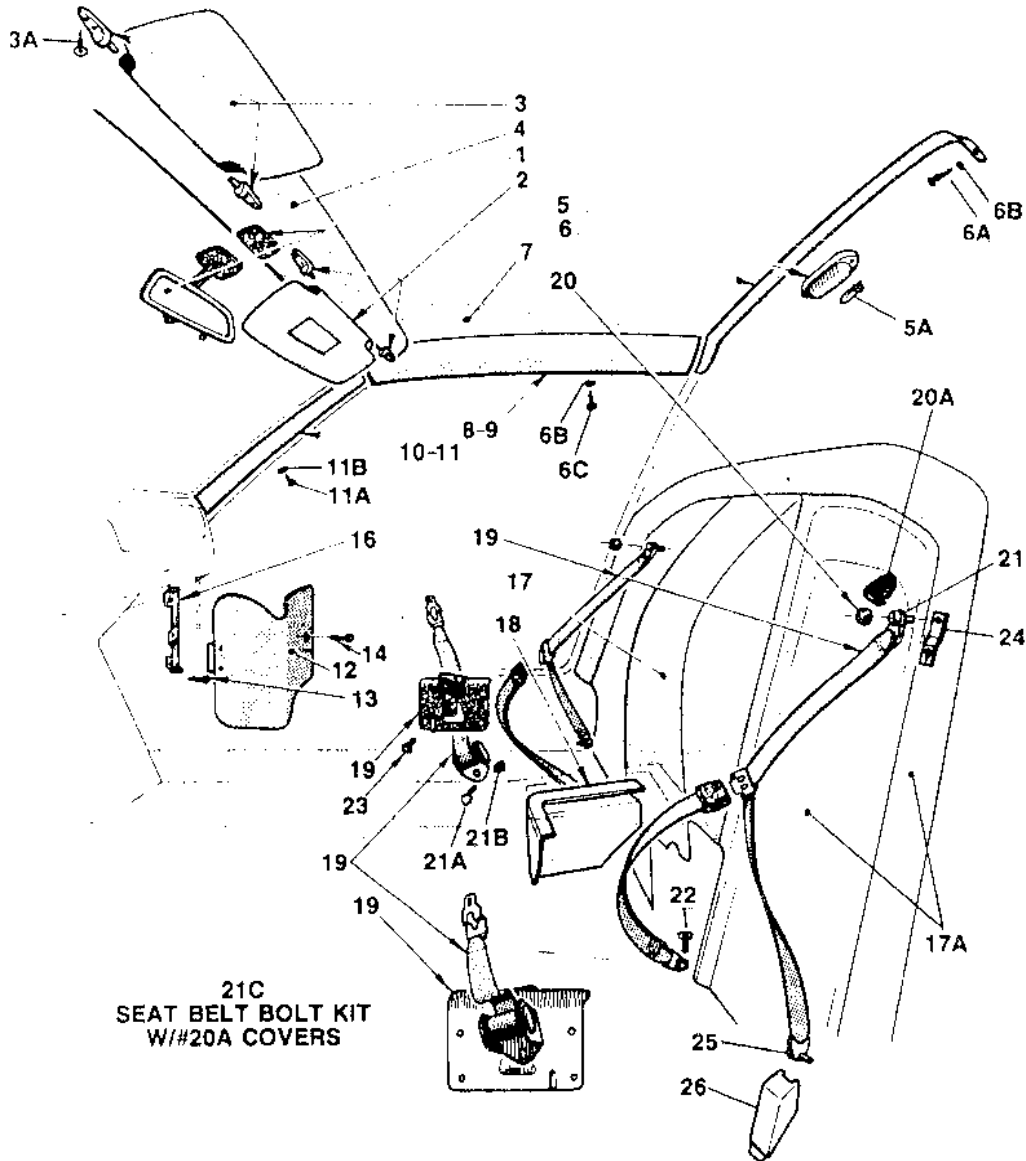
| ILLUSTRATION # | DESCRIPTION | PART # |
|----------------|---|--------|
| 1 | Glass Rear Window Before #2001 1st Series | 24001A |
| 1 | Glass Rear Window After #2001 2nd Series | 24001B |
| 1 | Glass Rear Window w/Heated Wires 2nd Series | 24001C |
| 2 | Weatherstrip Rear Glass Before #2001 Replaced by "B" | 24002A |
| 3 | Weatherstrip Rear Glass After #2001 | 24002B |
| 4 | Glass 1/4 Window RH (Tinted) | 24003A |
| 5 | Glass 1/4 Window LH (Tinted) | 24004A |
| 6 | Moulding 1/4 Window 1 Piece RH Bright Finish 2nd Series | 24005A |
| 6 | Moulding 1/4 Window 1 Piece RH Black Finish 2nd Series | 24005B |
| 7 | Moulding 1/4 Window 1 Piece LH Bright Finish 2nd Series | 24006A |
| 7 | Moulding 1/4 Window 1 Piece LH Black Finish 2nd Series | 24006B |
| 8 | Weatherstrip 1/4 Window RH | 24007A |
| 9 | Weatherstrip 1/4 Window LH | 24008A |
| 10 | Moulding Roof Pillar RH Bright Finish | 24009A |
| 10 | Moulding Roof Pillar RH Black Finish | 24009B |
| 11 | Moulding Roof Pillar LH Bright Finish | 24010A |
| 11 | Moulding Roof Pillar LH Black Finish | 24010B |
| 14 | Glass 1/4 Window RH Not Tinted | 24003B |
| 15 | Glass 1/4 Window LH Not Tinted | 24004B |
| 16 | Moulding 1/4 Window Rear RH 1st Series | 24011A |
| 17 | Moulding 1/4 Window Rear LH 1st Series | 24012A |
| 18 | Moulding 1/4 Window Front RH 1st Series | 24013A |
| 19 | Moulding 1/4 Window Front LH 1st Series | 24014A |
| 20 | Channel 1/4 Window Glass Front | 24015A |
| 21 | Channel 1/4 Window Glass Upper | 24015B |
| 22 | Channel 1/4 Window Glass Rear | 24015C |
| 23 | Weatherstrip Upper 1/4 Glass | 24016A |
| 24 | Weatherstrip Front 1/4 Glass | 24016B |
| 25 | Moulding Windshield LH Bright Finish 2nd Series | 24017A |
| 25 | Moulding Windshield LH Black Finish 2nd Series | 24017B |
| 26 | Moulding Windshield RH Bright Finish 2nd Series | 24018A |
| 26 | Moulding Windshield RH Black Finish 2nd Series | 24018B |
| 27 | Moulding Windshield Upper Bright Finish 2nd Series | 24019A |
| 27 | Moulding Windshield Upper Black Finish 2nd Series | 24019B |
| 28 | Moulding Windshield Lower Bright Finish 2nd Series | 24020A |
| 28 | Moulding Windshield Lower Black Finish 2nd Series | 24020B |
| 29 | Moulding Windshield LH Bright Finish 1st Series | 24021A |
| 30 | Moulding Windshield RH Bright Finish 1st Series | 24022A |
| 31 | Cover Windshield Moulding Joint | 24023A |
| 32 | Weatherstrip Windshield w/2 Piece Moulding 1st Series | 24024A |
| 32 | Weatherstrip Windshield w/4 Piece Moulding 2nd Series | 24024B |
| 33 | Windshield Tinted | 24025A |
| 33 | Windshield GT5 Tinted w/Green Band | 24025B |



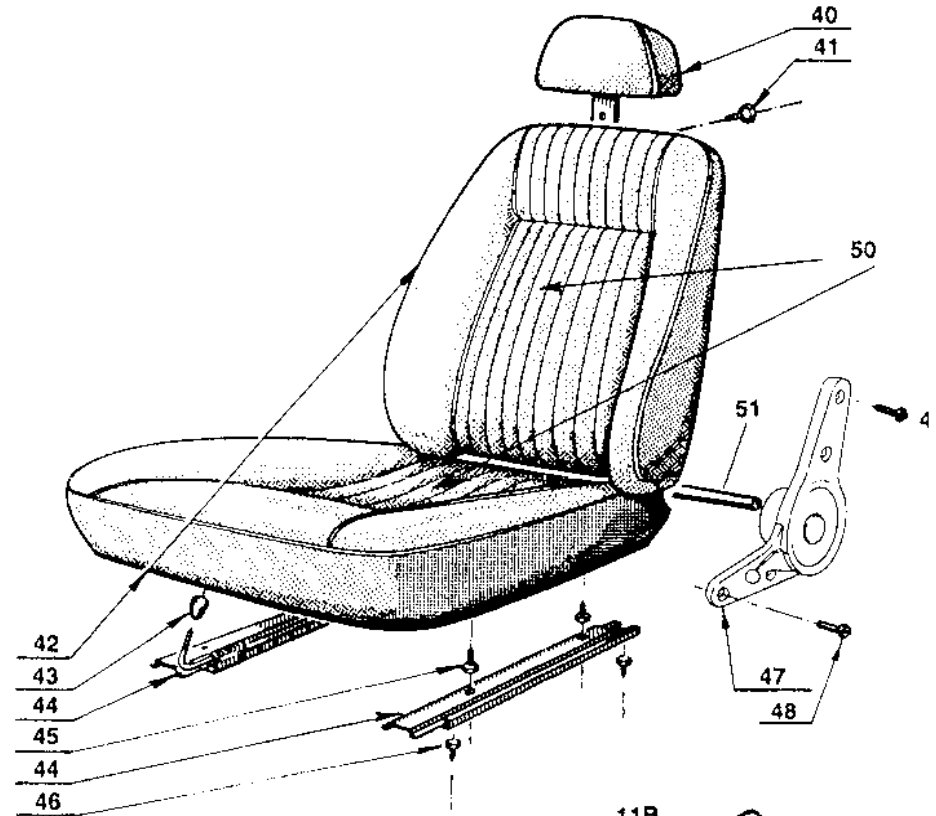


Original DeTomaso Pantera Parts

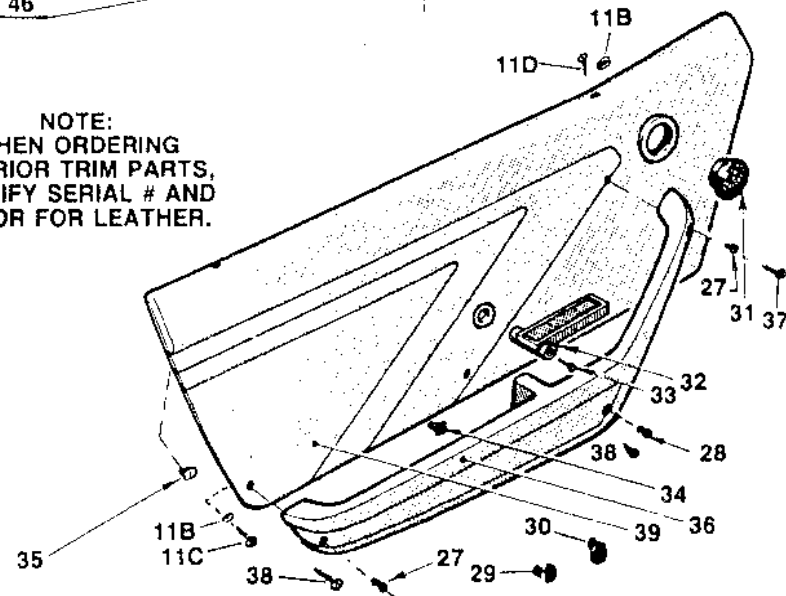
SECTION 25 ILLUSTRATION 37



21C
SEAT BELT BOLT KIT
W/#20A COVERS



NOTE:
WHEN ORDERING
INTERIOR TRIM PARTS,
SPECIFY SERIAL # AND
COLOR FOR LEATHER.



#52
COMPLETE LEATHER
INTERIOR ASSEMBLY

SECTION 25 ILLUSTRATION 37

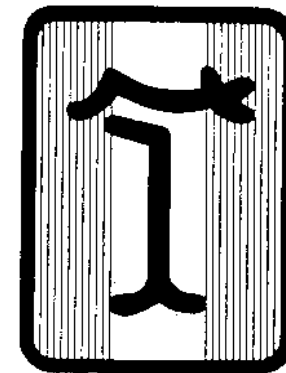
Original DeTomaso Pantera Parts



| SECTION 25 ILLUSTRATION # | DESCRIPTION | PART # |
|---------------------------|---|--------|
| 1 | Mirror Inside Rear View | 25001A |
| 1 | Mirror Inside Rear View (Bonded on w/Shield) | 25001B |
| 1 | Mirror Base Bonded Type Mirror | 25001C |
| 2 | Visor RH with Brackets (White) Replaced by B | 25002A |
| 2 | Visor RH with Brackets (Gray) | 25002B |
| 3 | Visor LH with Brackets (White) Replaced by B | 25003A |
| 3 | Visor LH with Brackets (Gray) | 25003B |
| 3A | Screw Visor to Roof (Chrome) | 25004A |
| 4 | Bow Headliner Front | 25005A |
| 5 | Lamp Assembly Courtesy on Roof | 25006B |
| 5 | Lamp Assembly Courtesy on Roof w/Switch | 25007A |
| 5A | Bulb Courtesy Lamp on Roof | 25007A |
| 6 | Bow Headliner Rear | 25008A |
| 6A | Screw Headliner Bow to Roof Chrome (1-1/4" Long) | 25009A |
| 6B | Bezel Headliner Bow to Roof Chrome | 25010A |
| 6C | Screw Headliner Bow to Roof Chrome (3/4" Long) | 25009B |
| 7 | Headliner Assembly | 25011A |
| 8 | Bow Headliner RH | 25012A |
| 9 | Bow Headliner LH | 25013A |
| 10 | Moulding w/Shield Post Inner RH Simulated Black Leather | 25014A |
| 10 | Moulding w/Shield Post Inner RH Leather GT5 | 25014B |
| 11 | Moulding w/Shield Post Inner LH Simulated Black Leather | 25015A |
| 11 | Moulding w/Shield Post Inner LH Leather GT5 | 25015B |
| 11A | Screw Moulding to Post Back | 25015A |
| 11B | Bezel Black | 25017A |
| 11C | Screw Door Panel to Door Black (3/4" Long) | 25016A |
| 11D | Screw Door Panel to Door Black (1/2" Long) | 25016B |
| 12 | Cover with Hinge Fast Box with Trim RH | 25017A |
| 12 | Cover with Hinge Relay Panel with Trim LH | 25017B |
| 13 | Screw Hinge to Inner Fender #8 x 1/2" Round Head | 25053A |
| 14 | Screw Trim Cover "Thumb" Type | 25038A |
| 15 | Bracket Trim Panel Hinge | 25018A |
| 17 | Cover Assembly Firewall Before #2000 | 25019A |
| 17 | Cover Assembly Firewall from #2000 to #528A | 25019B |
| 17 | Cover Assembly Firewall from #528A to Body #5164C | 25019C |
| 17 | Cover Assembly Firewall after Body #5164C w/Seat belt Retractor | 25019D |
| 17 | Cover Assembly Firewall (As Above #C) Leather | 25019E |
| 17 | Cover Assembly Firewall GT5 Leather | 25019F |
| 17A | Leather only for GT5 Cover | 25019G |
| 18 | Trim Cover Park Brake Control Steel w/Trim | 25020A |
| 18 | Trim Cover Park Brake Control Plastic 79-74 Console | 25020B |
| 18 | Trim Cover GT5 w/Console on L Side Console | 25020C |
| 19 | Seat Belt Assembly 71 RH & LH | 25021A |
| 19 | Seat Belt Assembly RH w/Seat Rear Retractor | 25021B |
| 19 | Seat Belt Assembly LH w/Seat Rear Retractor | 25021C |
| 19 | Seat Belt Assembly LH w/Seat Retractor | 25021D |
| 19 | Seat Belt Assembly GT5 Per Side | 25021E |
| 20 | Cap Shoulder Harness Bolt (Round Type) | 25022A |
| 20A | Cap Shoulder Harness Bolt 74-85 Style | 25022B |
| 21 | Bolt Shoulder Harness to Firewall | 25023A |
| 21A | Bolt Seat Belt to Side Plate | 25024A |

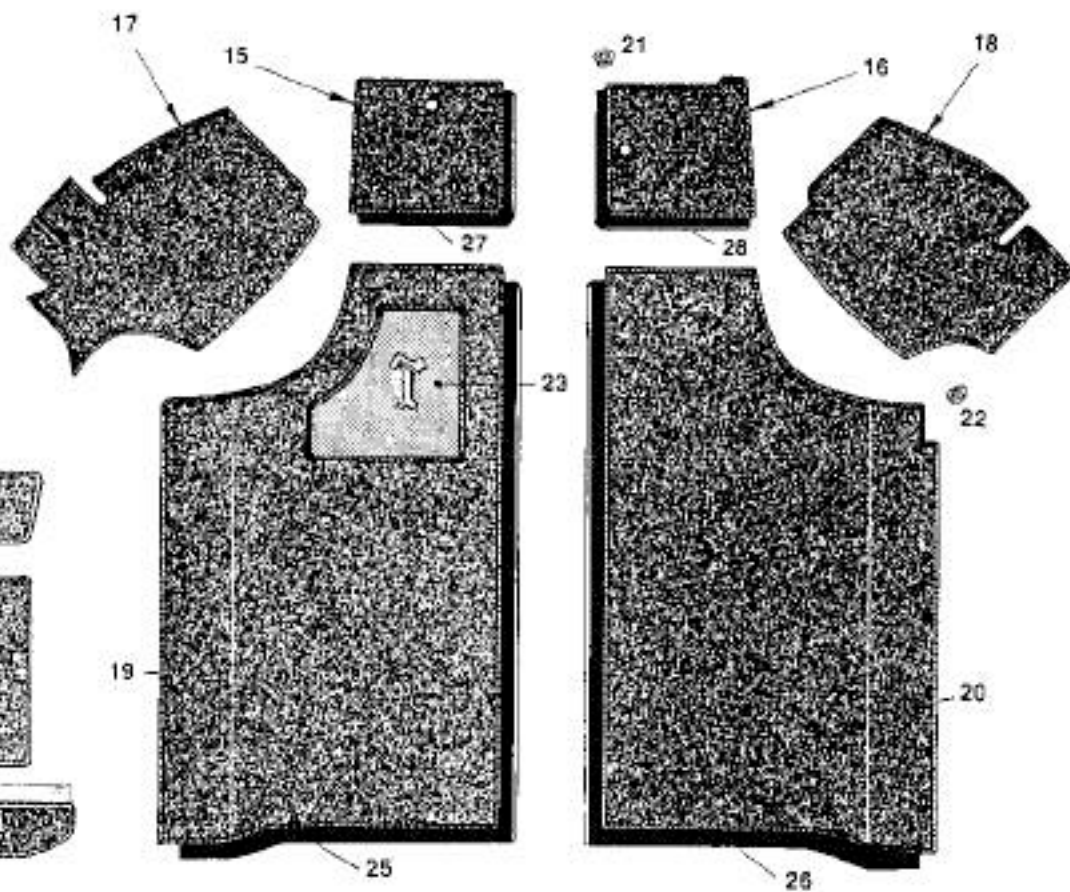
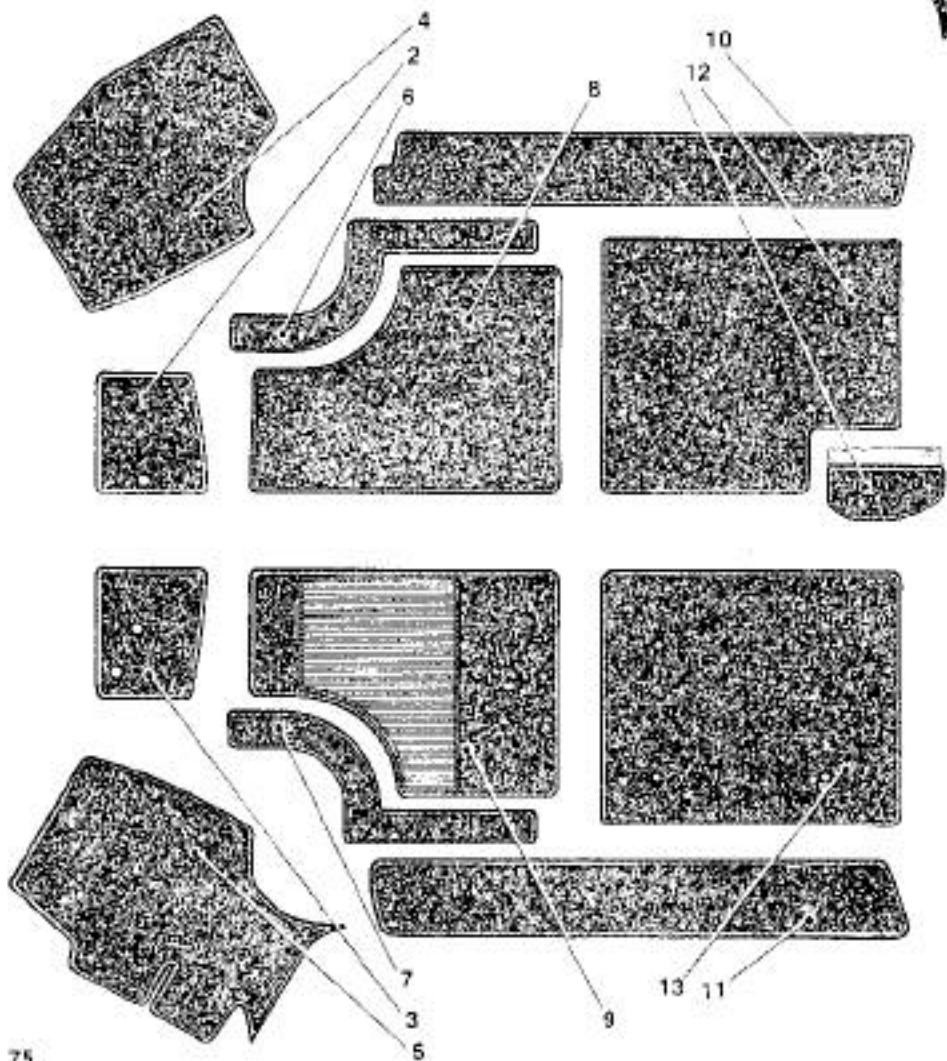
| | | |
|-----|--|--------|
| 21B | Nut Seat Belt to Side Plate | 25025A |
| 21C | Kit Seat Belt Bolt w/Covers | 25025C |
| 22 | Bolt Seat Belt to Floor | 25023B |
| 23 | Bolt Seat Belt Plate to Floor (Round Phillips) | 25026A |
| 24 | Retainer Shoulder Harness Storage | 25027A |
| 25 | Bolt Shoulder Harness Retractor to Body | 25028A |
| 26 | Cover Shoulder Harness Retractor | 25029A |
| 27 | Plug Arm Rest Trim (Shower) Rubber | 09639A |
| 28 | Plug Arm Rest Trim (Long) Rubber | 25029F |
| 29 | Plug Arm Rest Trim Flat Plastic | 25029B |
| 29 | Plug Arm Rest Trim GT5 Flat with Leather | 25029C |
| 30 | Plug Arm Rest Trim Angle Plastic | 25029D |
| 30 | Plug Arm Rest Trim GT5 Angle with Leather | 25029E |
| 31 | Plug Emergency Window Access | 25030A |
| 31 | Plug Emergency Window Access GT5 w/Leather | 25030B |
| 32 | Handle Door (Inner) RH Black | 25031A |
| 32 | Handle Door (Inner) RH GT5 w/Leather | 25031B |
| 32 | Handle Door (Inner) LH Black | 25032A |
| 32 | Handle Door (Inner) LH GT5 w/Leather | 25032B |
| 33 | Screw Door Handle Retainer | 25033A |
| 34 | Anchor Arm Rest Screw to Door (Square Plastic) | 25034A |
| 35 | Clip Door Panel to Door | 25035A |
| 36 | Arm Rest RH w/Rubber Type Plugs | 25036A |
| 36 | Arm Rest RH w/Plastic Type Plugs | 25036B |
| 36 | Arm Rest RH GT5 with Leather | 25036C |
| 36 | Arm Rest LH w/Rubber Type Plugs | 25037A |
| 36 | Arm Rest LH w/Plastic Type Plugs | 25037B |
| 36 | Arm Rest LH GT5 w/Leather | 25037C |
| 37 | Screw Arm Rest to Door MS x 1 x 40mm | 25038A |
| 38 | Screw Arm Rest to Door Sheet Metal Type | 25038B |
| 39 | Door Panel RH Before #1450 | 25039A |
| 39 | Door Panel RH from #1450 | 25039B |
| 39 | Door Panel RH w/Leather GT5 | 25039C |
| 39 | Door Panel RH w/Leather w/Wood GT5 | 25039D |
| 39 | Door Panel LH Before #1450 | 25040A |
| 39 | Door Panel LH from #1450 | 25040B |
| 39 | Door Panel LH w/Leather GT5 | 25040C |
| 39 | Door Panel LH w/Leather w/Wood GT5 | 25040D |
| 40 | Headrest | 25041A |
| 40 | Headrest Leather GT5 | 25041B |
| 41 | Knob Headrest Adjustment | 25042A |
| 41 | Knob Headrest Adjustment from #900C | 25042B |
| 42 | Seat Assembly RH (71) Non Perforated | 25043A |
| 42 | Seat Assembly RH with Perforations | 25043B |
| 42 | Seat Assembly RH Europe (Specify Country) | 25043C |
| 42 | Seat Assembly RH Leather GT5 | 25043D |
| 42 | Seat Assembly LH (71) Non Perforated | 25044A |
| 42 | Seat Assembly LH with Perforations | 25044B |

| | | |
|------|---|--------|
| 42 | Seat Assembly LH Europe (Specify Country) | 25044C |
| 42 | Seat Assembly LH Leather GT5 | 25044D |
| 43 | Knob Seat Track Adjustment | 25045A |
| 44 | Track Assembly RH w/ Latch (14-3/4" Long) | 25046A |
| 44 | Track Assembly RH w/ Latch (17-3/4" Long) | 25046B |
| 44 | Track Assembly RH w/ Latch (19-3/4" Long) | 25046C |
| 44 | Track Assembly LH w/ Latch (14-3/4" Long) | 25046D |
| 44 | Track Assembly LH w/ Latch (17-3/4" Long) | 25046E |
| 44 | Track Assembly LH w/ Latch (19-3/4" Long) | 25046F |
| 44 | Track Assembly LH w/ Latch (17-3/4" Long) | 25047C |
| 45 | Bolt Seat Track to Seat | 25047A |
| 45 | Bolt Seat Track to Floor | 25048B |
| 47 | Seal Back Mechanism RH Back | 25049A |
| 47 | Seal Back Mechanism LH Black | 25049B |
| 47 | Seal Back Mechanism RH Passenger Seat w/Lever Chrome | 25049C |
| 47 | Seal Back Mechanism RH Driver Seat w/Lever Chrome | 25049D |
| 47 | Seal Back Mechanism LH Driver Seat w/Lever Chrome | 25049E |
| 47 | Seal Back Mechanism LH Driver Seat w/Lever Chrome | 25049F |
| 48 | Bolt Mechanism to Seat Lower MS x 1.25 x 15mm | 25050A |
| 49 | Bolt Mechanism to Seat Upper MS x 1.25 x 30mm | 25050B |
| 50 | Cover with Perforations (GT5 Seat) | 25051A |
| 51 | Seat Seat Mechanism Pivot | 25052A |
| NOTE | When Ordering Trim Parts Covered in Leather Specify Color Code: A-White, B-Cream, C-Belga, D-Saddle, E-Brown, F-Burgundy, G-Blue, H-Black, I-Gray | |
| 52 | Leather Interior w/Wood Complete w/ Gauges and Switches | 25053A |
| 52 | Leather Interior w/Wood Complete with Gauges and Switches | 25053B |





1ST SERIES



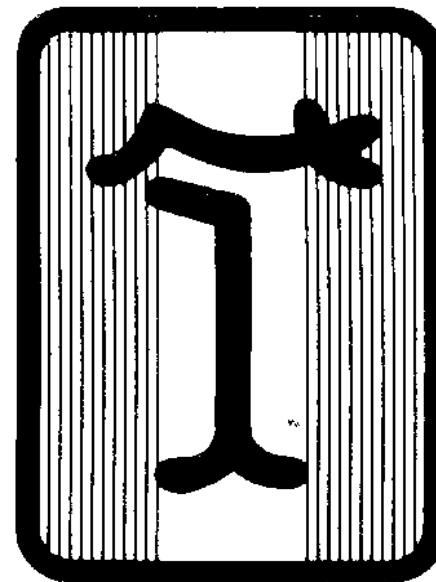
2ND SERIES

SECTION 25 ILLUSTRATION 38



| ILLUSTRATION # | DESCRIPTION | PART # |
|----------------|--|--------|
| 2 | Carpet RF on Firewall 1st Series | 25101A |
| 3 | Carpet LF on Firewall 1st Series | 25102A |
| 4 | Carpet RH Wheel Well 1st Series | 25103A |
| 5 | Carpet LH Wheel Well 1st Series | 25104A |
| 6 | Carpet RH Front 1st Series | 25105A |
| 7 | Carpet LH Front 1st Series | 25106A |
| 8 | Carpet RH Floor 1st Series | 25107A |
| 9 | Carpet LH Floor 1st Series | 25108A |
| 10 | Carpet RH Inner Rocker 1st Series | 25109A |
| 11 | Carpet LH Inner Rocker 1st Series | 25110A |
| 12 | Carpet RH Rear 1st Series | 25111A |
| 13 | Carpet LH Rear 1st Series | 25112A |
| 14 | Carpet Emergency Brake 1st Series | 25113A |
| 15 | Carpet LH Firewall 2nd Series | 25114A |
| 15 | Carpet LH Firewall GT5 from #9000 | 25114B |
| 16 | Carpet RH Firewall 2nd Series | 25115A |
| 16 | Carpet RH Firewall GT5 from #9000 | 25115B |
| 17 | Carpet LH Fender Well 2nd Series | 25116A |
| 17 | Carpet LH Fender Well GT5 from #9000 | 25116B |
| 18 | Carpet RH Fender Well 2nd Series | 25117A |
| 18 | Carpet RH Fender Well GT5 from #9000 | 25117B |
| 19 | Carpet LH Floor w/Pad 2nd Series | 25118A |
| 19 | Carpet LH Floor w/Pad GT5 from #9000 | 25118B |
| 20 | Carpet RH Floor 2nd Series | 25119A |
| 20 | Carpet RH Floor GT5 from #9000 | 25119B |
| 21 | Plug Firewall RH & LH A-Arm Nut Access | 25120A |
| 22 | Plug Floor Lower R & L | 25121A |
| 23 | Pad Left Floor Heel w/Raised DeTomaso "T" Black | 25122A |
| 23 | Pad Left Floor Heel w/Raised DeTomaso "T" Brown | 25122B |
| 24 | Carpet Set Complete GT5 from #9000 Specify Color | 25123A |
| 25 | Insulation LH Floor Carpet 2nd Series | 25124A |
| 26 | Insulation RH Floor Carpet 2nd Series | 25125A |
| 27 | Insulation LH Firewall Carpet 2nd Series | 25126A |
| 28 | Insulation RH Firewall Carpet 2nd Series | 25127A |

NOTE: When Ordering Carpet Specify Serial Number of Chassis
 Color Codes Factory Colors For Carpet GT5 From #9000
 A Black
 B Blue
 C Brown
 D Red

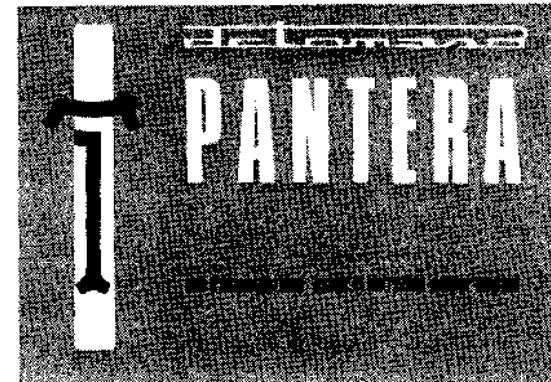
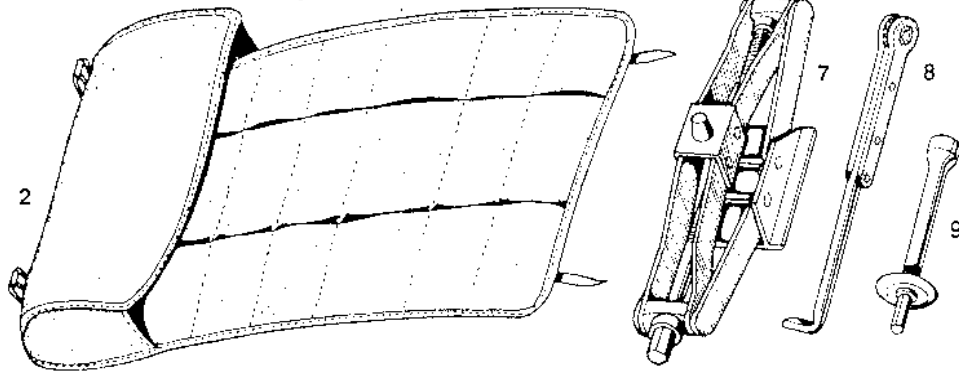
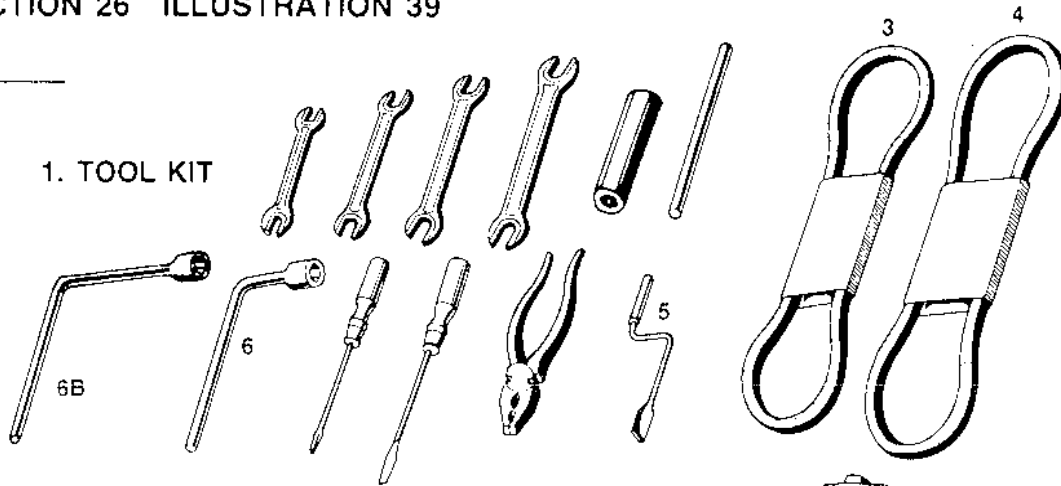




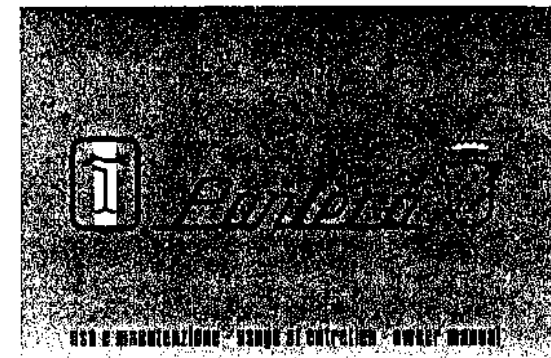
Original DeTomaso Pantera Parts

SECTION 26 ILLUSTRATION 39

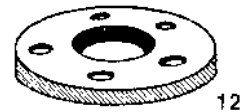
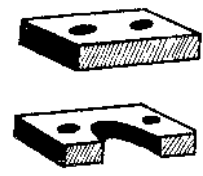
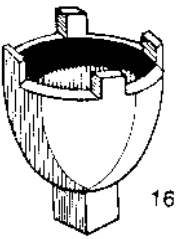
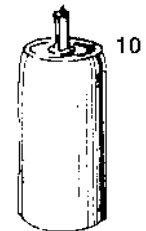
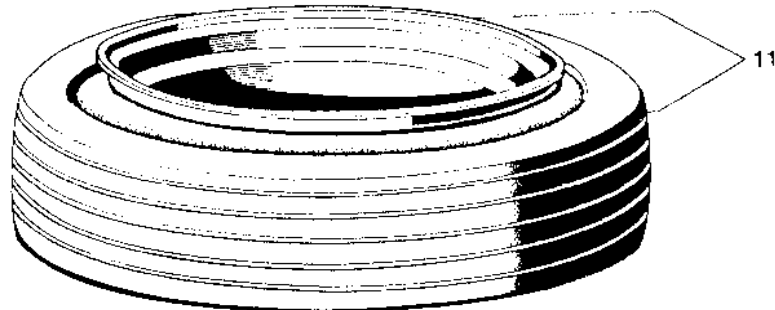
1. TOOL KIT



13



14



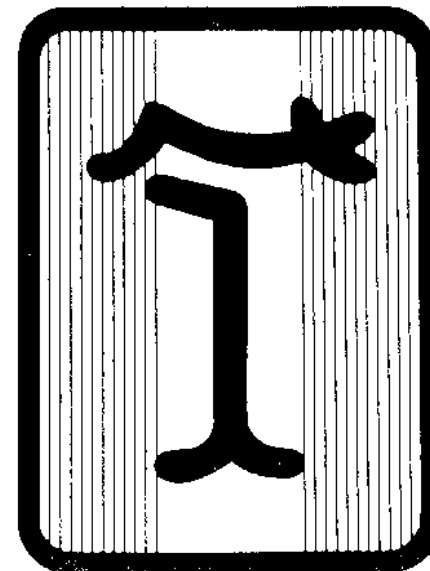
77

17

SECTION 26 ILLUSTRATION 39

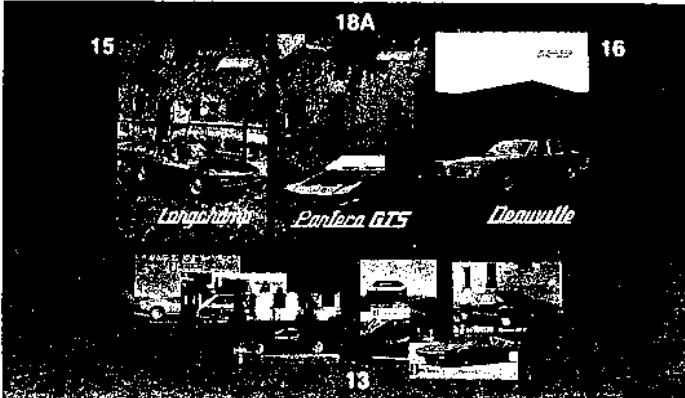
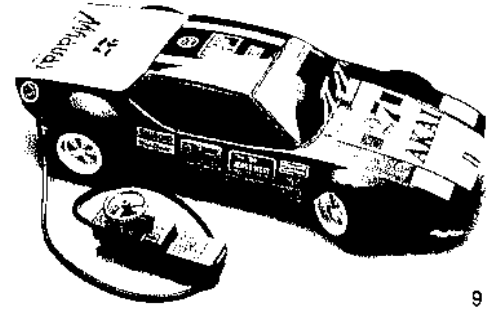
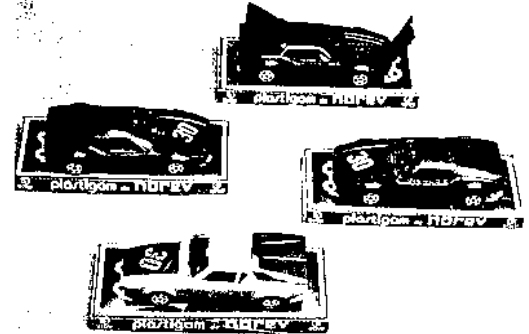
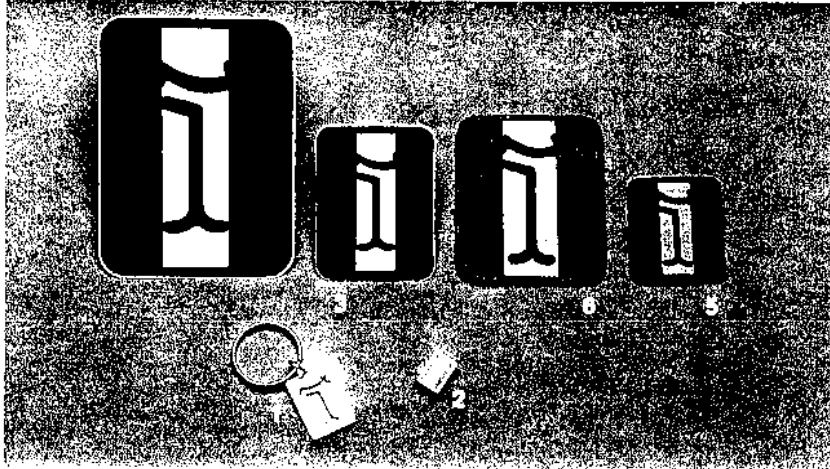
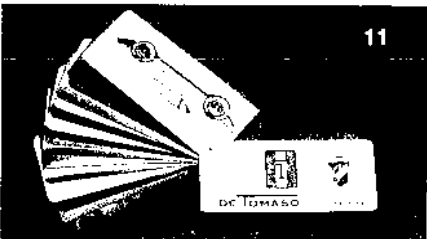
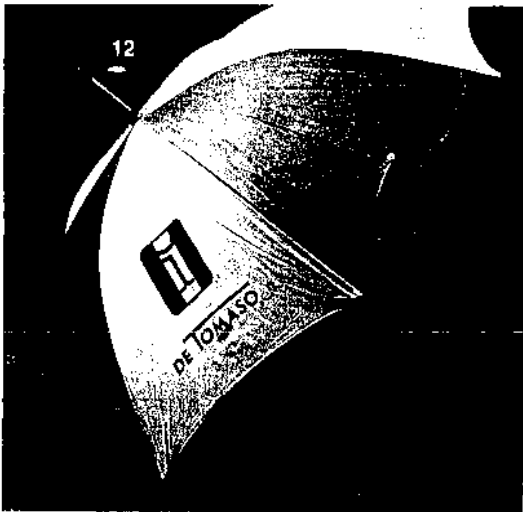


| ILLUSTRATION # | DESCRIPTION | PART # |
|----------------|---|--------|
| 1 | Tool Kit with Belts | 26001A |
| 1 | Tool Kit without Belts | 26001B |
| 2 | Tool Bag | 26002A |
| 3 | Belt Air Conditioner | 08123B |
| 4 | Belt Alternator & Water Pump | 08123A |
| 5 | Handle Emergency Window Crank | 20223A |
| 6 | Lug Wrench with Extension Handle | 26003A |
| 6B | Lug Wrench (for GT5 10" and 13" Wheel) | 26003B |
| 7 | Jack Assembly | 26004A |
| 8 | Handle Jack (Ratchet Type) | 26005A |
| 9 | Extension Jack Handle | 26006A |
| 10 | Cannister Spare Tire Inflator | 26007A |
| 11 | Tire & Wheel Assembly Space Saver Spare w/7" Wheel Replaced by Below | 26008A |
| 11 | Tire & Wheel Assembly Space Saver Spare w/5-1/2" Wheel | 26008B |
| 12 | Spacer For Use with GT5 - GT5-S Suspension | 26009A |
| 13 | Owners Manual Blue Cover 1971 | 26010A |
| 14 | Owners Manual Red Cover 72/Up | 26010B |
| 14 | Owners Manual Red Cover From #9000 | 26010C |
| 16 | Socket Axle Nut Rear | 26011A |
| 17 | Press Ball Joint Remova | 26012A |



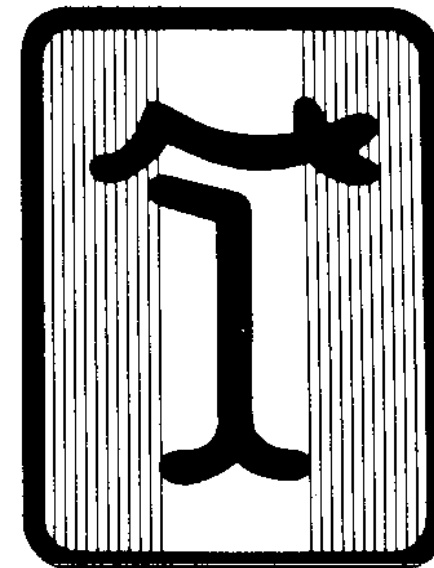
Original DeTomaso Pantera Parts

SECTION 27 ILLUSTRATION 40



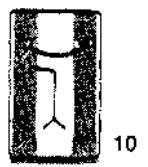
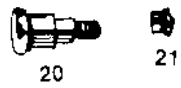
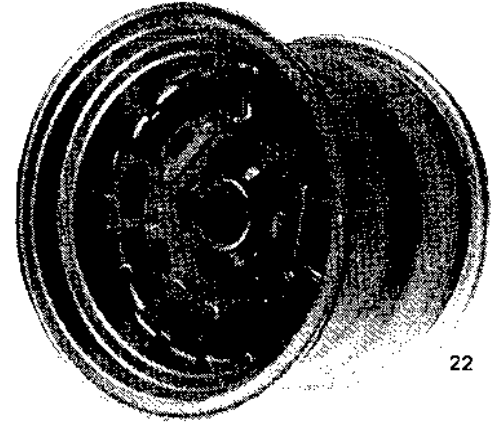
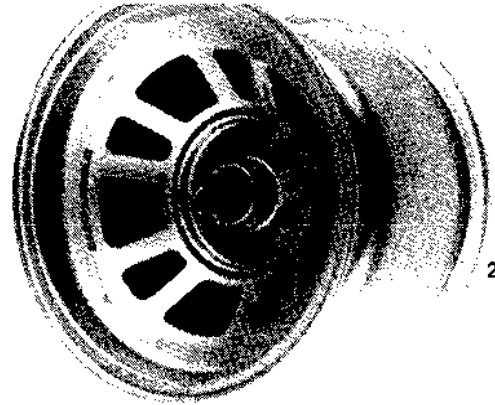
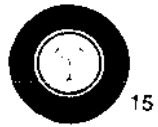
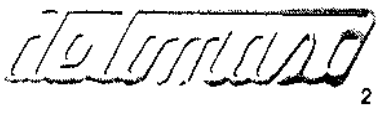
SECTION 27 ILLUSTRATION 40

| ILLUSTRATION # | DESCRIPTION | PART # |
|----------------|--|--------|
| 1 | Key Chain (Gold) | 27001A |
| 2 | Lapel Clip | 27002A |
| 3 | Decal 2" x 2-3/4" | 27003A |
| 4 | Decal 3-3/8" x 4-1/2" | 27003B |
| 5 | Patch DeTomaso Logo w/Black Border 1-3/4" x 2" | 27004A |
| 6 | Patch DeTomaso Logo w/Yellow Border 2-3/4" x 3-1/4" | 27004B |
| 7 | Model Car 3-3/4" Long (Red) Assembled | 27005A |
| 7 | Model Car 3-3/4" Long (Blue) Assembled | 27005B |
| 7 | Model Car 3-3/4" Long (Green) Assembled | 27005C |
| 7 | Model Car 3-3/4" Long (Yellow) Assembled | 27005D |
| 8 | Model Car Kit 1/24th Scale w/Electric Motor & Light (Green) 7" Long | 27006A |
| 9 | Model Car Electric w/Remote Control Cable Overall Length 24-1/2" (Red & White) Assembled | 27007A |
| 10 | Leather Samples GT5-GT5-S Interior | 27008A |
| 11 | Paint Samples Pantera | 27009A |
| 12 | Umbrella (White) w/Wood Handle | 27010A |
| 12 | Umbrella (Blue & White) w/Wood Handle | 27010B |
| 13 | Post Cards Set of Six Different | 27011A |
| 14 | Pantera Factory Sales Brochure | 27012A |
| 15 | Long Champ Factory Sales Brochure | 27012B |
| 16 | Deauville Factory Sales Brochure | 27012C |
| 17 | Owners Manual Blue Cover 1971 | 26010A |
| 18 | Owners Manual Red Cover 1972-Up | 26010B |
| 18A | Owners Manual GT5 from #9000 | 26010C |
| 19 | Sign DeTomaso 20" x 28" Plastic | 27013A |
| 20 | Sign 29" x 41" Plastic Lighted | 27013B |
| 21 | Poster as Pictured or Currently Available | 27014A |
| 22 | Parts Catalogue 71-85 | 27015A |

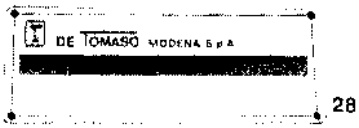


Original DeTomaso Pantera Parts

SECTION 28 ILLUSTRATION 41

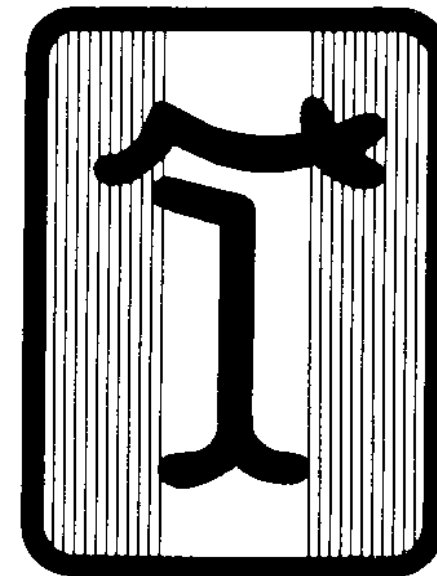


26



SECTION 28 ILLUSTRATION 41

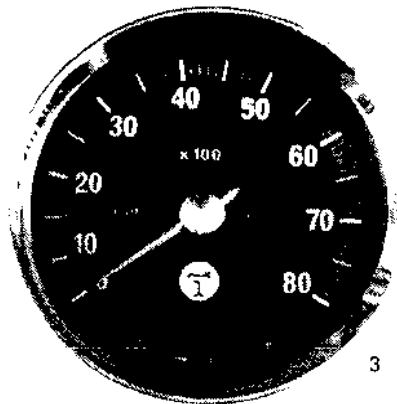
| ILLUSTRATION # | DESCRIPTION | PART # |
|----------------|--|--------|
| 1 | DeTomaso Script 4-1/2" x 3/4" | 13033A |
| 2 | DeTomaso Script 6" x 1-1/4" | 22014A |
| 3 | Pantera Script 4" x 3/4" | 13032A |
| 4 | Pantera Script 5-3/4" x 1-3/8" | 22015A |
| 5 | Pantera Script w/Bar Connecting Letters P to A (to Replace Pantera Script on Rear of Car to Match DeTomaso Script) 6" x 1-3/8" | 22016B |
| 6 | Emblem Power by Ford | 18140A |
| 7 | DeTomaso V8 Emblem | 18140B |
| 8 | DeTomaso Logo 2-1/2" x 3-1/2" Front Grille | 22005A |
| 9 | DeTomaso Logo 3" x 4-1/8" Front Grille | 22005B |
| 10 | DeTomaso Emblem Front Grille 1-3/8" x 2-1/4" | 22006A |
| 11 | DeTomaso Emblem Front Grille 7/8" x 1-3/8" | 22006B |
| 12 | Ghia Emblem | 22011A |
| 13 | GTS-GT5 Emblem 1-1/4" x 3-3/8" | 22019A |
| 14 | Plaque DeTomaso 2-3/16" x 9-1/2" | 08404A |
| 15 | Emblem Steering Wheel (Black) | 03002B |
| 16 | Emblem Steering Wheel (Blue/White w/Gold Trim) | 03002A |
| 17 | Wheel Center Emblem (Blue & White) | 01026A |
| 18 | Wheel Center Emblem GTS-GT5 | 01026B |
| 19 | Wheel Center Emblem (Black) Plastic w/Raised DeTomaso Logo | 01026C |
| 20 | Valve Stem with Cap (Aluminum) | 01029A |
| 21 | Cap Valve Stem | 01029B |
| 22 | Wheel 10" GTS | 01027H |
| 23 | Wheel 10" GT5-GT5-S | 01027D |
| 23 | Wheel 13" GT5-GT5-S | 01027I |
| 24 | Wheel Decal Campagnolo Gold Script | 01030B |
| 25 | Wheel Decal Campagnolo Black Printed | 01030A |
| 26 | Stripe Kits Text See Section 22—#34-40 | |
| 27 | Tire Pirelli 225-50-15 | 28001A |
| 27 | Tire Pirelli 285-50-15 | 28001B |
| 27 | Tire Pirelli 285-40-15 | 28001C |
| 27 | Tire Pirelli 285-40-15 Rally | 28001D |
| 27 | Tire Pirelli 345-35-15 | 28001E |
| 27 | Tire Pirelli 345-35-15 Rally | 28001F |
| 27 | Tire Good Year Arriva C60-15 | 28001G |
| 27 | Tire Good Year Arriva H60-15 | 28001H |
| 28 | Identification Plate (Over Booster) | 28002A |



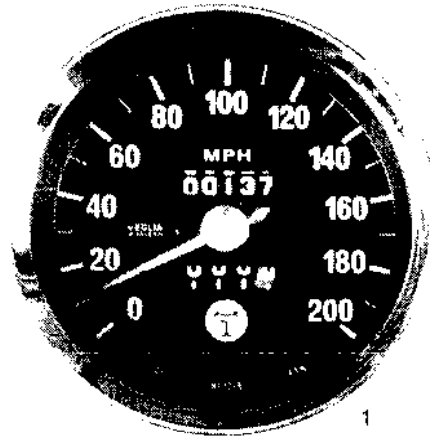


Original DeTomaso Pantera Parts

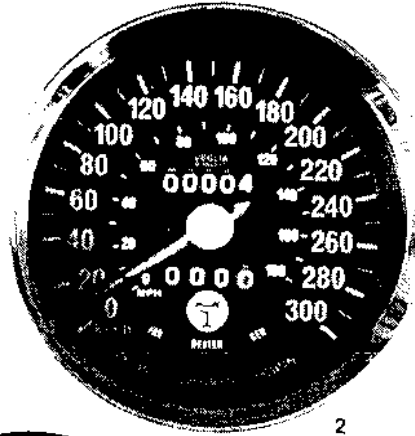
SECTION 29 ILLUSTRATION 42



3



1



2



4



5



6



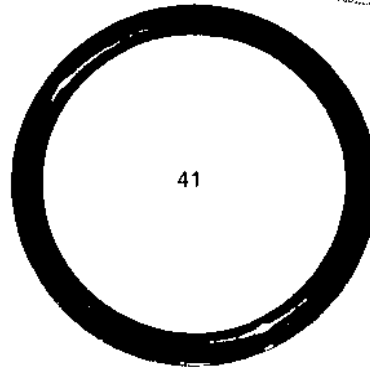
7



8



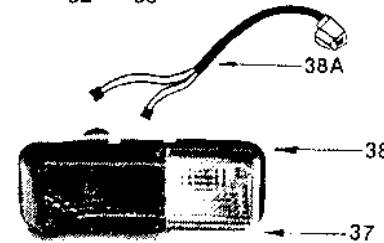
9



41



34



38A

38

37



10



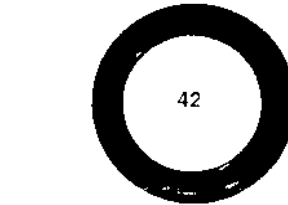
11



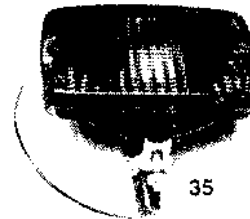
12



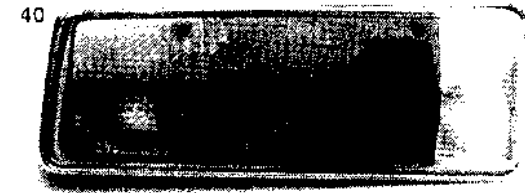
13



42



35



40



14



15



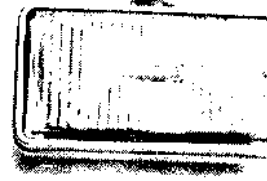
16



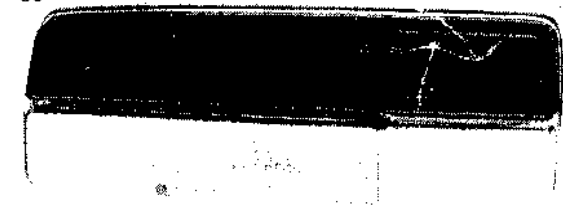
17



36



39



21



22



23



24



25



26



27



28



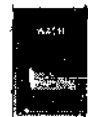
29



30



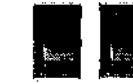
29A



30A



31



32

33

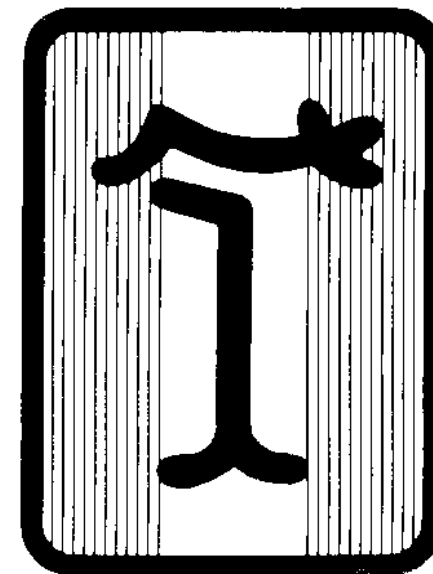
SECTION 29 ILLUSTRATION 42

| ILLUSTRATION # | DESCRIPTION | PART # |
|----------------|---|--------|
| 1 | Speedometer MPH 1200 Rev = 1 MLE | 13002A |
| 1 | Speedometer MPH 1610 Rev = 1 MLE | 13002B |
| 2 | Speedometer Kilometer + MPH | 13002C |
| 3 | Tachometer | 13003A |
| 4 | Oil Gauge Chrome Bezel Stock | 14009A |
| 5 | Oil Gauge Oil Olio GT5 Chrome Bezel | 14009B |
| 6 | Oil Gauge Olio Black Bezel | 14009C |
| 7 | Oil Temp. F° Chrome Bezel | 14009F |
| 8 | Oil Temp. F° Black Bezel | 14009G |
| 9 | Fuel Gauge Chrome Bezel | 14007A |
| 10 | Fuel Gauge Fuel & Benzina GT5 Chrome Bezel | 14007B |
| 11 | Fuel Gauge Black Bezel | 14007C |
| 12 | Benzina Black Bezel | 14007D |
| 13 | Water Temp. 230° Chrome Bezel | 14008A |
| 14 | Water Temp. 260° Chrome Bezel | 14008B |
| 15 | Water Temp. Water Acqua GT5 Chrome Bezel | 14008C |
| 16 | Water Temp. 230° Black Bezel | 14008D |
| 17 | Water Temp. Acqua Black Bezel | 14008E |
| 18 | Ammeter Chrome Bezel | 14006A |
| 19 | Amps Black Bezel | 14006B |
| 20 | Ampere Black Bezel | 14006C |
| 20A | Clock Digital GT5 | 14009E |
| 21 | Switch Headlamp w/Symbol Chrome Bezel | 14010A |
| 22 | Switch Headlamp (Lights) Chrome Bezel | 14010B |
| 23 | Switch Headlamp w/Symbol GT5 Black Bezel | 14010C |
| 24 | Switch Heater w/Symbol Chrome Bezel | 14012A |
| 25 | Switch Heater (Fan Off-Hi) Chrome Bezel | 14012A |
| 26 | Switch Heater w/Symbol GT5 Black Bezel | 14012B |
| 27 | Switch Courtesy w/Symbol Chrome Bezel | 14014A |
| 28 | Switch Courtesy (Courtesy) Chrome Bezel | 14014B |
| 29 | Switch Wiper Chrome Bezel | 13017C |
| 29A | Switch Wiper Chrome Bezel | 13017B |
| 30 | Switch Washer GT5 Black Bezel | 13018B |
| 31 | Switch Heater Rear Glass GT5 | 14012D |
| 32 | Switch Driving Lights GT5 (Green) | 13026A |
| 33 | Switch Rear Fog Lamp (Yellow) | 13025A |
| 34 | Reflector Rear Bumper GT5 R&L | 23012A |
| 35 | Back Up & Rear Fog Lamp GT5 | 16023A |
| 36 | Spot Lamp GT5 (White) | 16007A |
| 36 | Spot Lamp GT5 (Amber) | 16007B |
| 36 | Fog Lamp GT5 (White) | 16007C |
| 36 | Fog Lamp GT5 (Amber) | 16007D |
| 37 | Lens RH 2 Color Park Light | 16013A |
| 37 | Lens LH 2 Color Park Light | 16013B |
| 38 | Body RH 2 Color Park Light | 16013C |
| 38 | Body LH 2 Color Park Light | 16013D |
| 38A | Wire Assembly 2 Color Park Light to Main Loom | 16013E |
| 39 | Lens European Tail Light (Amber) RH | 16016B |
| 39 | Lens European Tail Light (Amber) LH | 16017B |
| 40 | Lens European GTS 3 Color Vertical RH | 16016C |
| 40 | Lens European GTS 3 Color Vertical LH | 16017C |
| 40 | Lens & Body European 3 Color Vertical RH | 16030A |

Original DeTomaso Pantera Parts



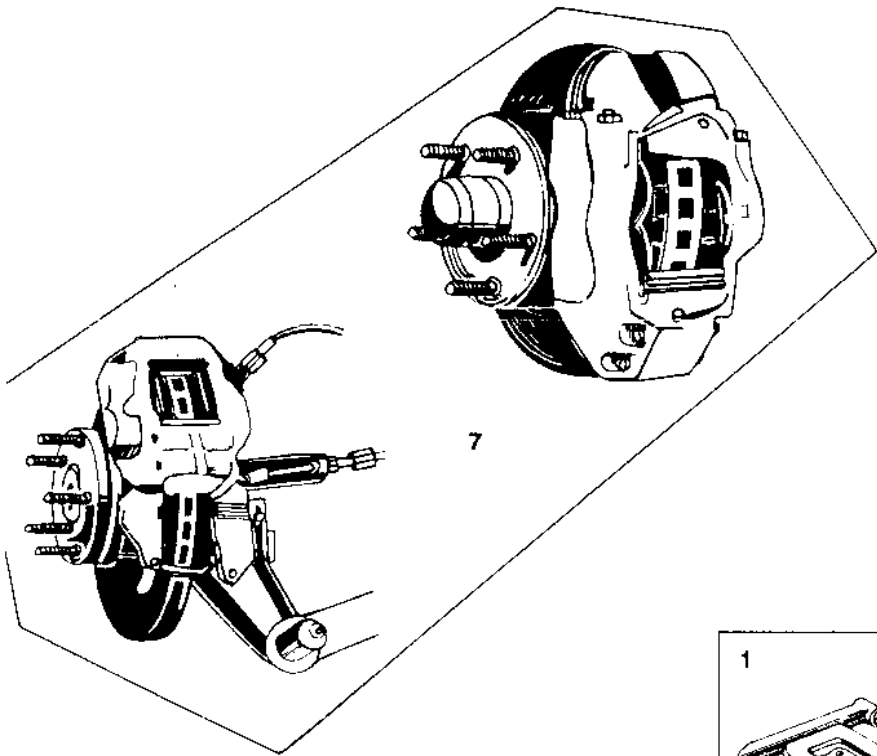
| | | |
|----|--|--------|
| 40 | Lens & Body European 3 Color Vertical LH | 16031A |
| 41 | Bezel (Black) for Speedometer & Tachometer | 13002E |
| 42 | Bezel (Black) for All Gauges | 14009H |



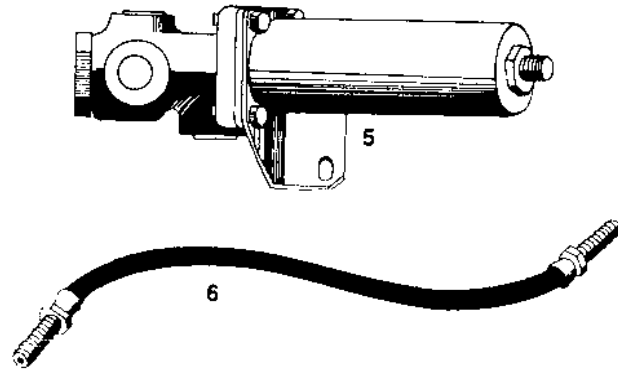


Original DeTomaso Pantera Parts

SECTION 30 ILLUSTRATION 43

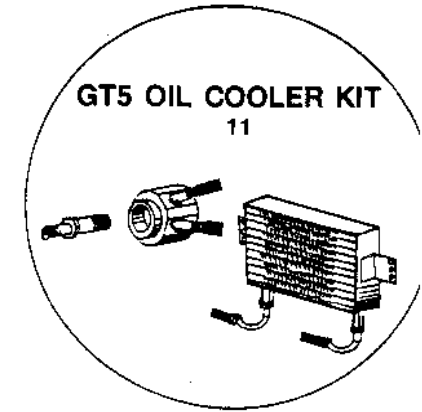


7



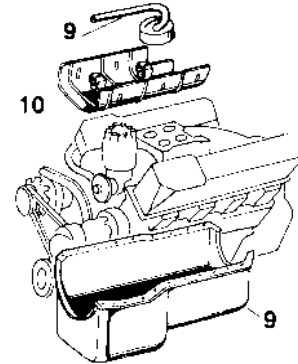
5

6



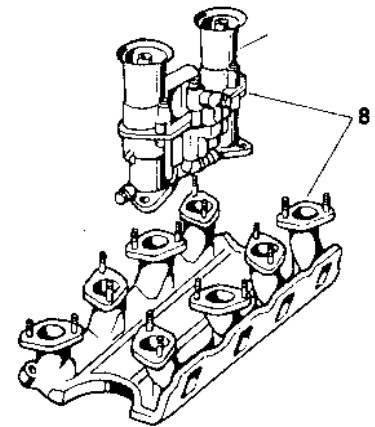
GT5 OIL COOLER KIT

11

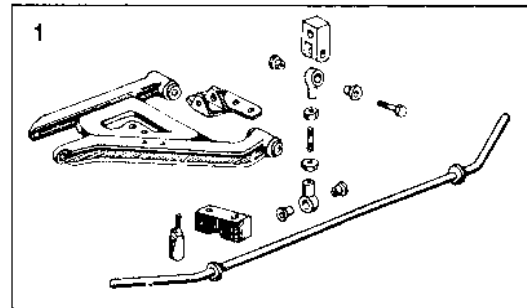


10

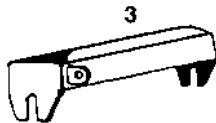
9



8



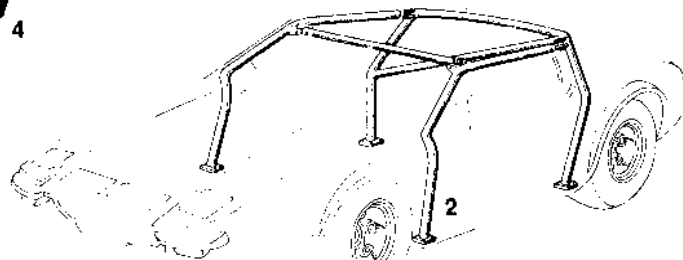
1



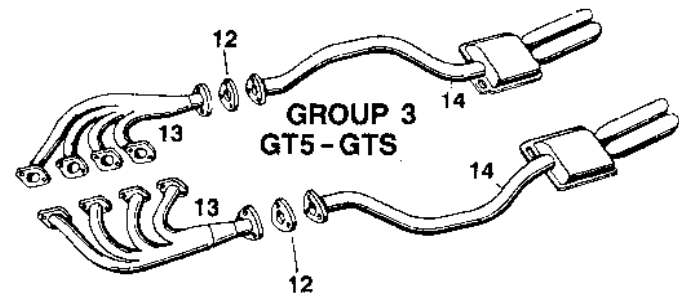
3



4



2



GROUP 3
GT5-GTS

12

13

13

14

14

12

SECTION 30 ILLUSTRATION 43



| ILLUSTRATION # | DESCRIPTION | PART # |
|----------------|--|--------|
| 1 | Sway Bar Kit Adjustable Front & Rear Complete | 30001A |
| 2 | Roll Bar Assembly | 30002A |
| 3 | Crossmember Engine Support Lower (Removable) | 19224A |
| 4 | Bracket Emergency Brake Lever (Removable) | 19225A |
| 5 | Valve Assembly Brake Pressure Control Adjustable | 01310C |
| 6 | Hose Front & Rear Brakes Braided Steel | 01300B |
| 7 | Brake Kit GT5 Short Studs w/o A-Arms | 30003A |
| 7 | Brake Kit GT5 Short Studs with A-Arms | 30003B |
| 7 | Brake Kit GT5 Long Studs w/o A-Arms | 30003C |
| 7 | Brake Kit GT5 Long Studs with A-Arms | 30003D |
| 8 | Kit Weber Carburetors & Manifold with Linkage | 08405A |
| 9 | Oil Pan 10qt. with Pickup Tube | 08409A |
| 10 | Windage Tray Engine Crankshaft | 08408A |
| 11 | Kit Oil Cooler GT5 Complete | 08412A |
| 12 | Gasket Manifold to Muffler GTS Exhaust | 10015C |
| 13 | Manifold RH GTS Exhaust | 10025A |
| 13 | Manifold LH GTS Exhaust | 10026A |
| 14 | Muffler RH GTS Exhaust | 10009A |
| 14 | Muffler RH Group 3 (w/o Baffles) | 10009B |
| 14 | Muffler LH GTS Exhaust | 10010A |
| 14 | Muffler LH Group 3 (w/o Baffles) | 10010B |
| 15 | Air Horn Kit | 30004A |

