

A B A R T H P U N T O E V O



O W N E R H A N D B O O K

Dear Customer,

Thank you for selecting Abarth and congratulations on your choice of an Abarth Punto Evo.


We have written this handbook to help you get to know all the features of your car and use it in the best possible way.

You should read it right through before taking to the road for the first time.

It contains important information, advice and instructions for the use of the car which will help you get the very best out of your Abarth.

Read the warnings and indications, marked with the following symbols:

 personal safety;

 car safety;

 environmental protection.

The enclosed Warranty Booklet lists the services that Abarth offers to its customers:

- the Warranty Certificate with terms and conditions for maintaining its validity
- the range of additional services available to Abarth Customers.

Enjoy reading. Happy motoring!

OWNER HANDBOOK

I-220

RIGHT HAND DRIVE VERSION

257-258

RADIO

221-254

VERY IMPORTANT

REFUELLING



Only refuel with unleaded petrol with octane rating (RON) not less than 95 conforming to the European specification EN 228.

The use of petrol that does not conform to the above-mentioned specification will cause the EOBD warning light to come on and the irregular operation of the engine.

STARTING THE ENGINE



Make sure that the handbrake is engaged; set the gearshift lever to neutral; fully depress the clutch without pressing the accelerator, then turn the ignition key to AVV and release it as soon as the engine has started.

PARKING ON FLAMMABLE MATERIAL



The catalytic converter develops high temperatures during operation. Do not park the car on grass, dry leaves, pine needles or other flammable material: fire hazard.

RESPECTING THE ENVIRONMENT



The car is fitted with a system that allows continuous diagnosis of the components linked to emissions to ensure better respect for the environment.

ELECTRICAL ACCESSORIES



If, after buying the car, you decide to add electrical accessories (with the risk of gradually draining the battery), contact an Abarth Dealership. They can calculate the overall electrical requirement and check that the vehicle electric system can support the required load.

CODE card



Keep the card in a safe place, not in the car. Make sure you have the electronic code written on the CODE card with you at all times.



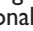
SCHEDULED SERVICING



Correct car servicing is essential for ensuring it stays in tip-top condition and safeguards its safety features, its environmental friendliness and low running costs for a long time to come.

THE OWNER HANDBOOK CONTAINS...



... important information and warnings on the correct use and maintenance of your car over time as well as safe driving tips. Pay special attention to the symbols  (personal safety)  (car safety)  (environmental protection).

KNOWING YOUR VEHICLE

DASHBOARD

The presence and position of the controls, instruments and gauges may vary depending on the version.

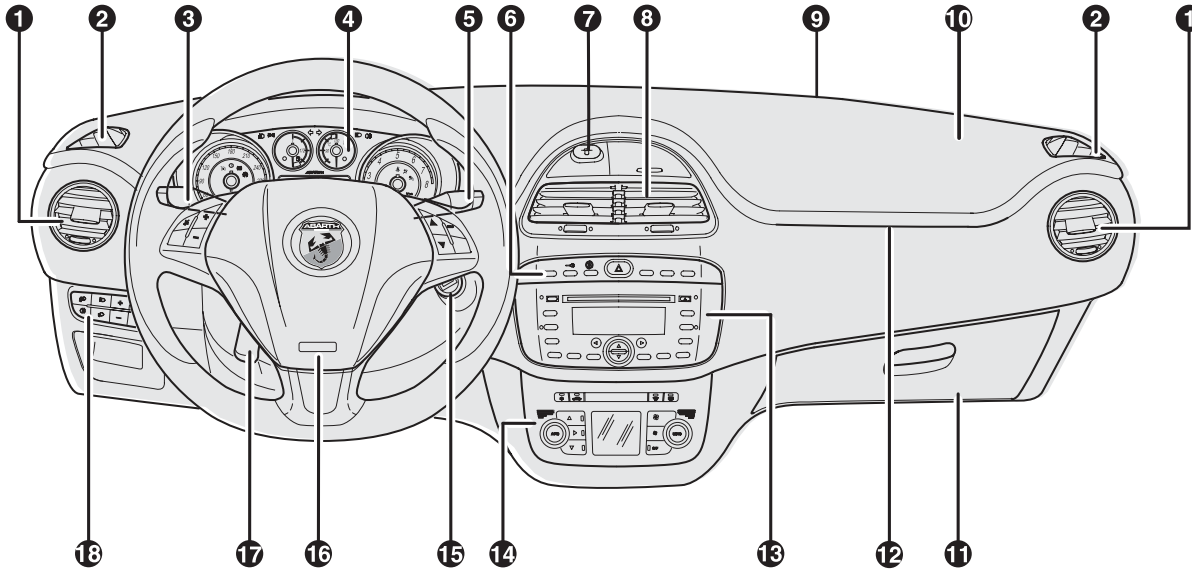


fig. 1

FOU001AB

1. Adjustable side air vents – 2. Fixed side air vents – 3. Left steering column stalk: external lights – 4. Instrument panel – 5. Right steering column stalk: windscreen wiper controls, rear window wiper, trip computer – 6. Panel controls – 7. Portable navigation system setup (for versions/markets, where provided) – 8. Adjustable central air vents – 9. Fixed upper air vent – 10. Front airbag – passenger side – 11. Glove compartment – 12. Light guide – 13. Radio (for versions/markets where provided) – 14. HVAC controls – 15. Ignition device – 16. Front airbag – driver's side – 17. Steering wheel adjustment lever – 18. Control panel: headlamp alignment adjustment/reconfigurable multifunction display.

SYMBOLS

Special coloured labels have been attached near or actually on some of the components of your car. These labels bear symbols that remind you of the precautions to be taken as regards that particular component.

The plate summarising the symbols used can be found under the bonnet, fig. 2.

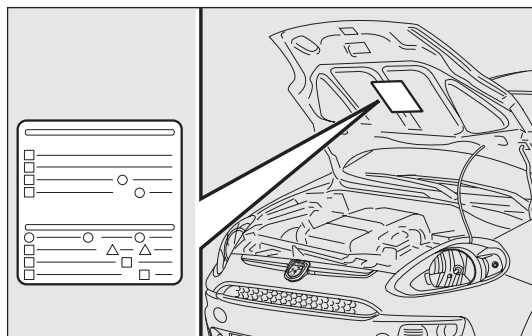


fig. 2

F0U003Ab

THE FIAT CODE SYSTEM

This is an electronic engine locking system which increases protection against attempted thefts of the car. It is automatically activated when the ignition key is removed.


An electronic device is fitted in each ignition key grip. The device transmits a radio-frequency signal when the engine is started through a special aerial built into the ignition switch. The modulated signal, which changes each time the engine is started, is the “password”, by means of which the control unit recognises the key and enables to start the engine.

OPERATION

Each time the vehicle is started by turning the ignition key to MAR, the Fiat CODE system control unit sends a recognition code to the engine control unit to deactivate the immobiliser.



The acknowledgement code is sent only if the Fiat CODE system control unit has recognised the code transmitted from the key.

Each time the ignition key is turned to STOP, the Fiat CODE system deactivates the functions of the engine management control unit.

If the code is not recognised correctly during ignition, the  warning light comes on in the instrument panel.

In this case turn the key to STOP and then to MAR; if the lock persists try again with the spare set of keys. Contact an Abarth Dealership if you still cannot start the engine.

Warning light coming on when driving

- If the warning light  turns on, this means that the system is running a self-diagnosis (for example for a voltage drop).
- If the warning light  stays on, contact an Abarth Dealership.



The electronic components inside the key may be damaged if the key is submitted to sharp knocks.

THE KEYS

CODE CARD fig. 3

(for versions/markets where provided)

The car is delivered with two copies of the ignition key and with the CODE card, which bears the following:

- A the electronic code;
- B The mechanical key code to be given to the Abarth Dealership when ordering duplicate keys.

You should have the electronic code A-fig. 3 with you at all times.

IMPORTANT In order to ensure complete efficiency of the electronic devices inside the keys, they should never be exposed to direct sunlight.

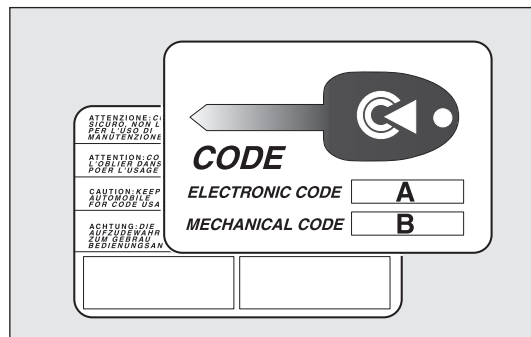


fig. 3

FOU004Ab

KNOWING YOUR VEHICLE

SAFETY

STARTING AND DRIVING

WARNING LIGHTS AND MESSAGES

IN AN EMERGENCY

MAINTENANCE AND CARE

TECHNICAL SPECIFICATIONS

CONTENTS



All the keys and the CODE card must be handed over to the new owner when selling the car.

KEY WITH REMOTE CONTROL fig. 4

The metal insert A operates:

- the ignition switch;
- the door locks;
- the fuel cap lock/release (for versions/markets where provided);

Pressing button B opens/closes the metal insert.

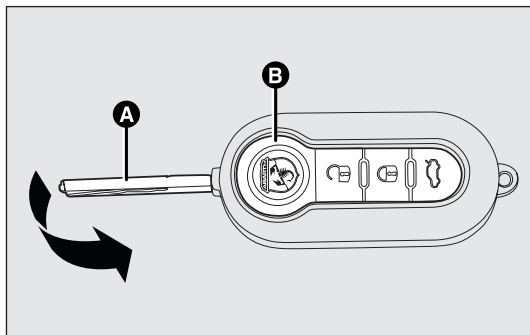


fig. 4

FOU005Ab


WARNING



Button B should only be pressed when the key is away from the body, in particular from the eyes and from objects that can be spoiled (e.g. clothes). Never leave the key unattended and make sure it can never be touched by others, especially children, who may inadvertently press the button.

Button  is used for unlocking the doors and the boot.

Button  is used for locking the doors and the boot.

Button  is used to open the boot remotely.

When unlocking the doors, the passenger compartment ceiling lights will come on for a preset time.

LED indications on the dashboard fig. 5

When locking the doors, the LED on the button A switches on for about 3 seconds and then starts flashing (deterrence function).

Once doors are locked, if one or more doors or the tailgate are not closed correctly, the LED and direction indicators start flashing quickly.

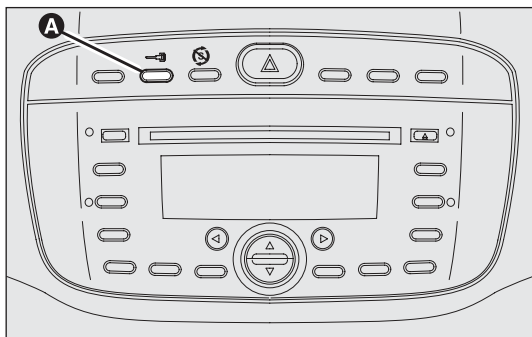




fig. 5

FOU006Ab

Replacing the battery of the key with remote control fig. 6

To replace the battery, proceed as follows:

- press button A and bring the metal insert B to the open position;
- turn the screw C to  using a fine bit screwdriver;
- take out the battery case D and replace the battery E, respecting its polarity;
- refit the battery case D inside the key and lock it by turning the screw C to .

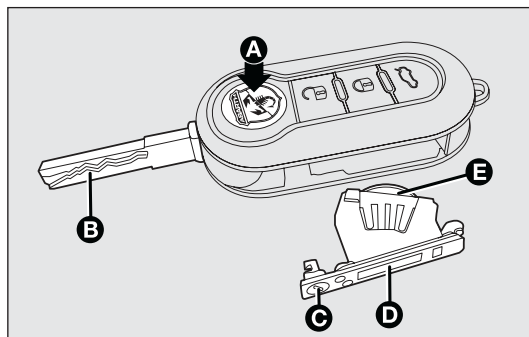


fig. 6

FOU007Ab

REPLACING THE REMOTE CONTROL COVER fig. 7

To replace the remote control cover, follow the procedure shown in the diagram.

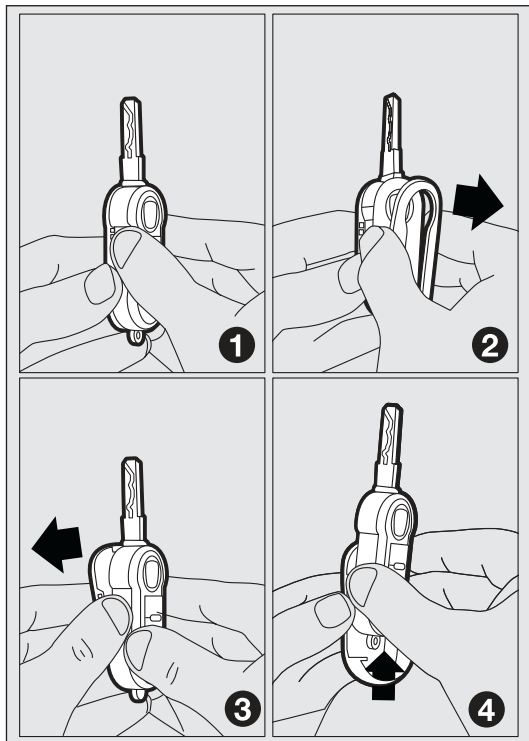


fig. 7

F0U008Ab



Used batteries are harmful to the environment. They should be disposed of, as specified by law, in the special containers provided, otherwise take them to the Abarth Dealership, which will deal with their disposal.

Request for additional remote controls

The system can recognise up to 8 keys with incorporated remote control. Should a new key with remote control be necessary, contact an Abarth Dealership, taking the CODE card, a personal identity document and the car's ownership documents with you.

KEY WITHOUT REMOTE CONTROL fig. 8

The metal insert of the key A is fixed.

The key operates:

- the ignition switch;
- the door locks;
- the fuel tank cap lock (for versions/markets where provided).

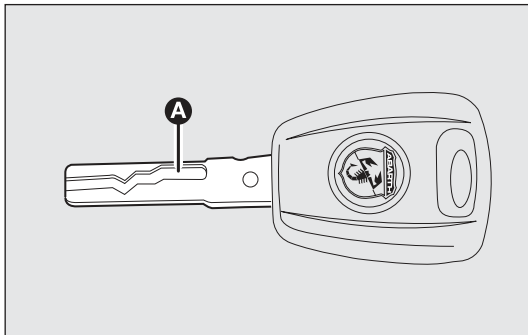


fig. 8

FOU009Ab

ALARM

The car's alarm system is available from Lineaccessori Abarth.

KNOWING YOUR VEHICLE

SAFETY

STARTING AND DRIVING

WARNING LIGHTS AND MESSAGES





IN AN EMERGENCY

MAINTENANCE AND CARE

TECHNICAL SPECIFICATIONS

CONTENTS

The main functions that can be activated with the keys (with or without remote control) are the following:

Type of key	Unlocking the doors	Door closing from the outside	flashing Dead lock (*)	Tailgate opening
Key without remote control	Turn key anticlockwise (driver's side)	Turn key clockwise (driver's side)	–	–
Key with remote control	Turn key anticlockwise (driver's side)	Turn key clockwise (driver's side)	–	–
	Briefly press  button	Briefly press  button	Double pressing  button	Briefly press  button
Visual indication				
Direction indicators flashing (only for key with remote control)	blinks twice	blinks once	3 blinks	blinks twice
Deterrence led	Off	On with a fixed light for about 3 seconds followed by deterrence led	Double flashing, followed by deterrence led flashing	Deterrent blinking

(*) For versions/markets, where provided.

SAFETY

STARTING
AND DRIVING

WARNING LIGHTS
AND MESSAGES

IN AN
EMERGENCY

MAINTENANCE
AND CARE

TECHNICAL
SPECIFICATIONS

CONTENTS

IGNITION

The key can be turned to 3 different positions fig. 9:

- STOP: engine off, key can be extracted, steering locked. Some electrical devices (e.g. sound system, central door locking system, etc.) may work.
- MAR: driving position. All electric devices can operate.
- AVV: engine starting (temporary position).

The ignition switch is fitted with an electronic safety system that requires the ignition key to be turned back to STOP if the engine will not start, before the starting operation can be repeated.

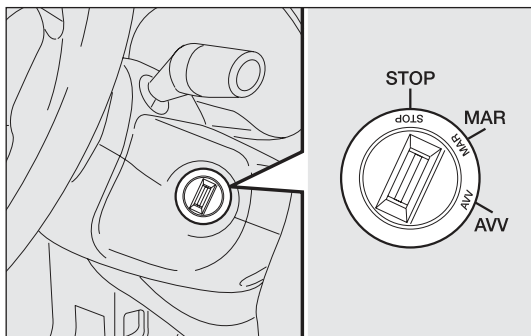


fig. 9

FOU010Ab



WARNING

If the ignition device has been tampered with (e.g. an attempted theft), have it checked over by an Abarth Dealership as soon as possible.



WARNING

When getting out of the car, always remove the key to prevent someone from accidentally activating the controls. Remember to engage the handbrake. If the car is parked on a slope uphill, engage the first gear; if the car is facing downhill, engage the reverse gear. Never leave children unattended in the car.

KNOWING YOUR VEHICLE

SAFETY

STARTING AND DRIVING

WARNING LIGHTS AND MESSAGES

IN AN EMERGENCY

MAINTENANCE AND CARE

TECHNICAL SPECIFICATIONS

CONTENTS

STEERING LOCK

Engagement

When the key is at STOP, remove the key and turn the steering wheel until it locks.

Disengagement

Move the steering wheel slightly as you turn the ignition key to MAR.



WARNING

Never remove the key while the car is moving. The steering wheel would automatically lock as soon as you try to turn it. This is always the case, even when the vehicle is being towed.



WARNING

It is absolutely forbidden to carry out any after-sales operation involving steering system or steering column modifications (e.g. installing an anti-theft device) which could adversely affect performance and safety, invalidate the warranty and also result in the car failing to comply with regulations.

INSTRUMENT PANEL

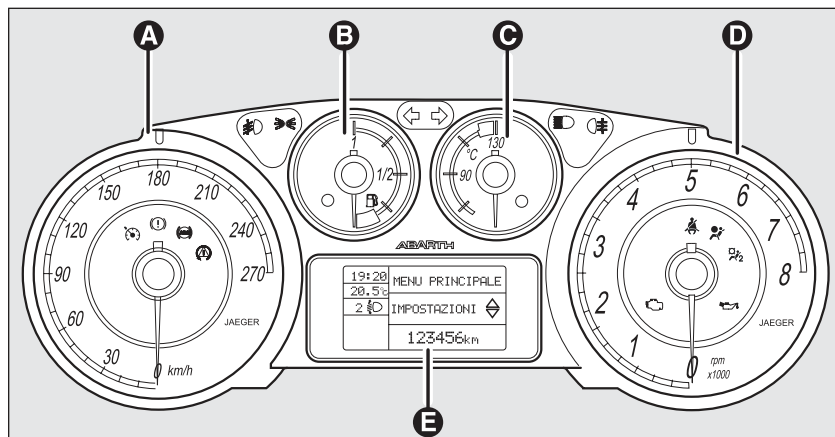


fig. 10

FOU011Ab

- A Speedometer (speed indicator)
- B Fuel level gauge with reserve warning light
- C Engine coolant temperature gauge with overheating warning light
- D Rev counter
- E Reconfigurable multifunction display

KNOWING YOUR VEHICLE

SAFETY

STARTING AND DRIVING

WARNING LIGHTS AND MESSAGES

IN AN EMERGENCY

MAINTENANCE AND CARE

TECHNICAL SPECIFICATIONS

CONTENTS

INSTRUMENTS

The instrument background colour and type may vary according to the versions.

SPEEDOMETER fig. 11

This shows the speed of the vehicle.

REV COUNTER fig. 12

The rev counter shows the engine rpm.

IMPORTANT The electronic injection control system gradually shuts off the flow of fuel when the engine is “over-revving” resulting in a gradual loss of engine power.

When the engine is idling, the rev counter may indicate a gradual or sudden increase of the speed.

This behaviour is standard as it takes place during the activation of the climate control system or the fan. It should not be considered as a fault. In these cases, a slow change in revs is used to protect the battery charge.

FUEL LEVEL GAUGE fig. 13

The needle shows the amount of fuel left in the fuel tank.

E tank empty

F tank full

The reserve warning light A comes on to indicate that approximately 7 litres of fuel are left in the tank.

Do not travel with the fuel tank almost empty: the gaps in fuel delivery could damage the catalytic converter.

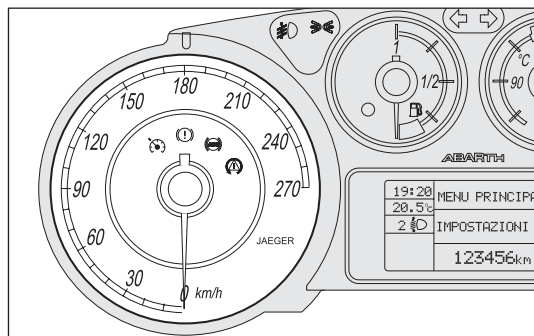


fig. 11

FOU013Ab

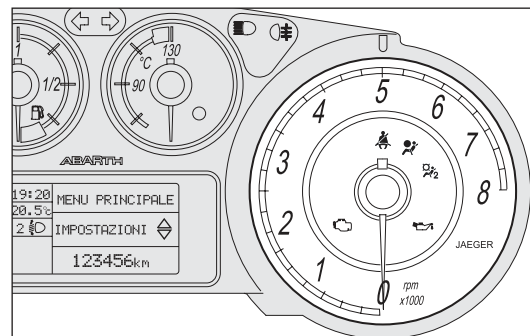


fig. 12

FOU014Ab

See the description in the “Refuelling” paragraph.

IMPORTANT The needle will point to E and warning light A will flash to indicate a fault in the system. If this is the case, go to an Abarth Dealership to have the system checked.

ENGINE COOLANT TEMPERATURE GAUGE fig. 14

This shows the temperature of the engine coolant fluid and starts working when the fluid temperature exceeds approx. 50°C.

Under normal conditions, the needle assumes different positions within the scale depending on the usage conditions.

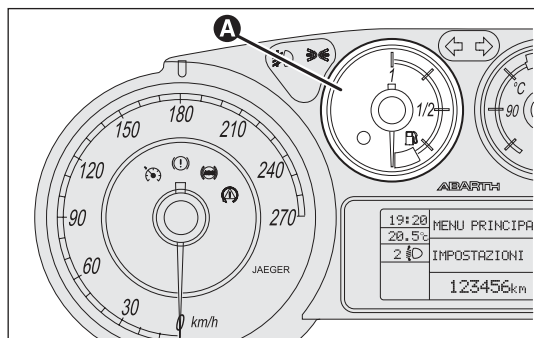


fig. 13

FOU015Ab

C Low engine coolant temperature.

H High engine coolant temperature.

Warning light B may light up (and a message on the reconfigurable multifunction display may appear in certain versions) to indicate that the coolant temperature is too high; in this case, stop the engine and contact an Abarth Dealership.



If the needle reaches the red area, stop the engine immediately and contact an Abarth Dealership.

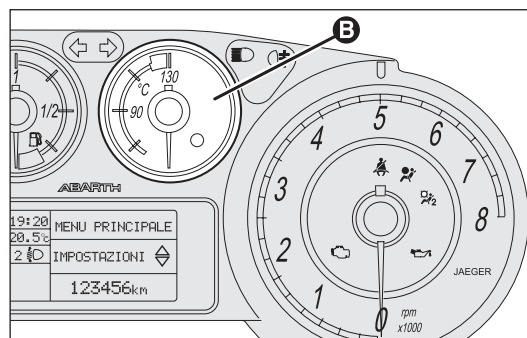


fig. 14

FOU016Ab

KNOWING YOUR VEHICLE

SAFETY

STARTING AND DRIVING

WARNING LIGHTS AND MESSAGES

IN AN EMERGENCY

MAINTENANCE AND CARE

TECHNICAL SPECIFICATIONS

CONTENTS

RECONFIGURABLE MULTIFUNCTION DISPLAY

The car may be equipped with a reconfigurable multifunction display that, according to previous settings, will show useful driving information.

“STANDARD” SCREEN fig. 15

The standard screen shows the following information:

- A Time
- B Date
- D Odometer (display of distance travelled in kilometres/miles)
- E Car status indications (e.g. doors open, possible ice on road, etc.)
- F Headlamp alignment position (only with dipped headlamps on)
- G Outside temperature

When the ignition key is turned to MAR, the display's main screen will show the date fig. 15 or the turbocharging pressure fig. 16, depending on the setting previously chosen from the “First page” menu item (“Date” or “Engine info”).

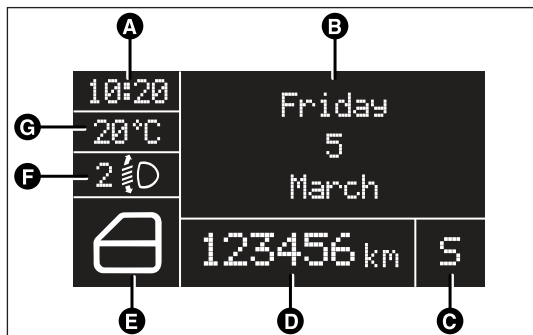


fig. 15

FOU2050Abg

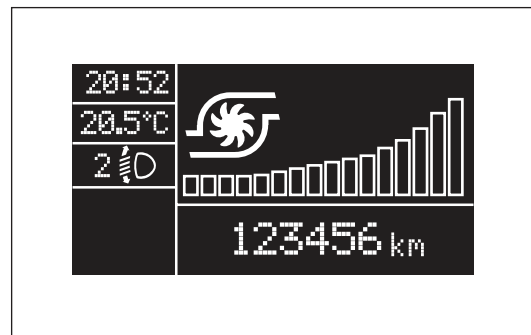


fig. 16

FOU196Ab

CONTROL BUTTONS FOR RECONFIGURABLE MULTIFUNCTION DISPLAY fig. 17

+ To scroll through the displayed menu and the related options upwards or to increase the value displayed.

MENU Press briefly to access the menu and/or go to the next screen or confirm your choice.

ESC Hold pressed to go back to the standard screen.

- To scroll through the displayed menu and the related options downwards or to decrease the value displayed.

Note Buttons **+** and **-** activate different functions according to the following situations:

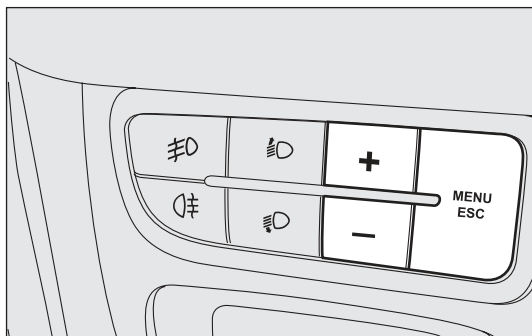


fig. 17

FOU017Ab

Passenger compartment light adjustment

– on the standard screen, they control instrument panel brightness, the radio and the automatic climate control system.

Setup menu

– within the menu, they allow you to scroll up and down through the options;

– during setting operations they allow an increase or decrease.

KNOWING YOUR VEHICLE

SAFETY

STARTING AND DRIVING

WARNING LIGHTS AND MESSAGES

IN AN EMERGENCY

MAINTENANCE AND CARE

TECHNICAL SPECIFICATIONS

CONTENTS

SETUP MENU

The menu comprises a series of functions arranged in a cycle which can be selected through buttons **+** and **-** to access the different selection and setting options (setup) given in the following paragraphs. A submenu is provided for some items (Setting the clock and Set units).

The setup menu can be activated by pressing the MENU ESC button briefly fig. 18.

Press buttons **+** and **-** to scroll through the setup menu options.

Operating modes are different according to the characteristics of the option selected.

Selecting an option from the main menu without a submenu

- Briefly press MENU ESC to select the main menu option you wish to set;
- press buttons **+** or **-** (with a single press) to select the new setting;
- briefly press the MENU ESC button to store the new setting and to go back to the main menu option selected previously.

Selecting an option from the main menu with a submenu:

- briefly press the MENU ESC button to display the first submenu option;
- Press **+** or **-** (with single presses) to scroll through all the submenu options.
- briefly press the MENU ESC button to select the displayed submenu option and to open the relevant setup menu;
- Press **+** or **-** (with single presses) to select the new setting for this submenu option.
- briefly press the MENU ESC button to store the new setting and go back to the previous menu option.

Selecting "Date" and "Set time":

- briefly press MENU ESC to select the first value to change (e.g. hours/minutes or year/month/day).
- press buttons **+** or **-** (with a single press) to select the new setting;
- Briefly press MENU ESC to store the new setting and go to the next setup menu option; if this is the last one you will go back to the previous menu option.

Hold down the MENU ESC button:

- to return to the set up menu if you are in the main menu;
- to return to the main menu if you are at another point of the menu (e.g.: at submenu option setting level, at submenu level or at main menu option setting level);
- to save only the settings already stored (and confirmed by pressing the MENU ESC button).

The setup menu environment is timed. Only the changes saved by the user (having been confirmed by briefly pressing MENU ESC) will be stored when the menu is automatically closed.

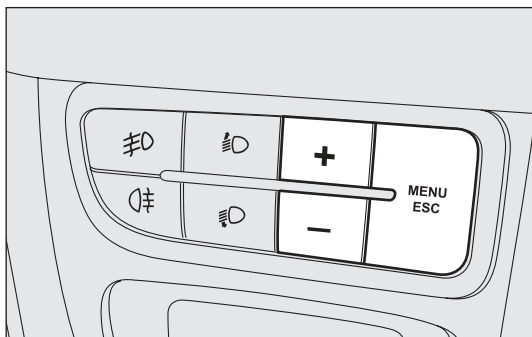


fig. 18

FOU017Ab

The menu consists of the following items:

- MENU
- SPEED BEEP
- CORNERING LIGHTS
- RAIN SENSOR
(for versions/markets where provided)
- TRIP B ACTIVATION/DATA
- SET TIME
- SET DATE
- FIRST PAGE
- SEE RADIO
- AUTOCLOSE
- UNITS OF MEASUREMENT:
- LANGUAGE
- BUZZER VOLUME
- BUTTON VOLUME
- SEAT BELT BEEP/BUZZ.
- SERVICE
- AIRBAG/PASSENGER BAG
- DAYTIME RUNNING LIGHTS
- EXIT MENU

KNOWING YOUR VEHICLE

SAFETY

STARTING
AND DRIVING

WARNING LIGHTS
AND MESSAGES

IN AN
EMERGENCY

MAINTENANCE
AND CARE

TECHNICAL
SPECIFICATIONS

CONTENTS

DISPLAY FUNCTIONS

SPEED BEEP

(Setting the speed limit)

This function is used to set the car speed limit (km/h or mph); the driver is immediately alerted when this limit is exceeded (see chapter “Warning lights and messages”).

To set the desired speed limit, proceed as follows:

- briefly press the MENU ESC button: the display will show the words (Speed Beep);
- press button + or – to select speed limit activation (On) or deactivation (Off);
- when the function has been activated (On) by pressing buttons + or –, select the speed limit and press MENU ESC to confirm selection.

NB You can select a speed between 30 and 200 km/h, or 20 and 125 mph depending on the selected unit, see “Setting measurement unit (Unit)”. The setting will increase/decrease by five units each time the button + / – is pressed. Hold the button + / – pressed to increase/decrease the setting rapidly and automatically. Complete the setting by briefly pressing the button when you approach the required value.

– briefly press the MENU ESC button to go back to the menu screen or hold the button down to go back to the standard screen without saving.

To cancel the setting, proceed as follows:

- press the MENU ESC button briefly to make the display flash (On);
- press the button –: “Off” flashes on the display;
- briefly press the MENU ESC button to go back to the menu screen or hold the button down to go back to the standard screen without saving.

CORNERING LIGHTS **(activation/deactivation of Cornering lights** **– Fog lights with cornering function)**

This function activates/deactivates the corner lights. To activate/deactivate (ON/OFF) the lights, proceed as follows:

- press the MENU ESC button briefly, the display will show “On” or “Off” flashing depending on the previous setting;
- press + or – to change the setting;
- briefly press the MENU ESC button to go back to the menu screen or hold the button down to go back to the standard screen without saving.

RAIN SENSOR **(Adjusting sensitivity)** (for versions/markets where provided)

This function allows you to adjust the rain sensor sensitivity to 4 levels.

- To set the required sensitivity level, proceed as follows:
- briefly press MENU ESC: the previously set sensitivity level will flash on the display;
 - press the button + or – for setting;

– briefly press the MENU ESC button to go back to the menu screen or hold the button down to go back to the standard screen without saving.

TRIP B ACTIVATION/DATA **(Trip B enablement)**

This function can be used to activate (On) or deactivate (Off) the Trip B display (partial trip).

For further information see “Trip computer”.

Proceed as follows to switch the function on and off:

- briefly press MENU ESC: On or Off will flash on the display (depending on previous setting);
- press the button + or – to select;
- briefly press the MENU ESC button to go back to the menu screen or hold the button down to go back to the standard screen without saving.

KNOWING YOUR VEHICLE

SAFETY

STARTING
AND DRIVING

WARNING LIGHTS
AND MESSAGES

IN AN
EMERGENCY

MAINTENANCE
AND CARE

TECHNICAL
SPECIFICATIONS

CONTENTS

SET TIME (Setting the clock)

This function enables the clock to be set through two submenus: “Time” and “Format”.

To carry out the adjustment, proceed as follows:

- briefly press MENU ESC: the display will show the two submenus “Time” and “Mode”;
- press the button + or – to switch between the two submenus;
- once you have selected a submenu, press MENU ESC briefly;
- *if selecting “Time”,* briefly press MENU ESC - the “hours” will flash on the display;
- press the button + or – for setting;

- briefly press MENU ESC: “minutes” will flash on the display;
- press the button + or – for setting;
- *if selecting “Mode”,* briefly press MENU ESC: the mode will flash on the display;
- press the button + or – to select “24h” or “12h”.

When you have made the required adjustments, press MENU ESC to go back to the submenu screen or hold the button down to go back to the main menu screen without saving.

- hold down MENU ESC again to go back to the standard screen or main menu, depending on which point in the menu you have reached.

SET DATE (Setting the date)

Using this function you can update the date (day – month – year).

Proceed as follows to update:

- briefly press MENU ESC: the day (dd) will flash on the display;
- press the button + or – for setting;
- briefly press MENU ESC: the month (mm) will flash on the display;
- press the button + or – for setting;
- briefly press MENU ESC: the year (yyyy) will flash on the display;
- press the button + or – for setting.

NOTE The setting increases or decreases by one unit each time button + or – is pressed. Hold the button pressed to increase/decrease the setting rapidly and automatically. Complete the setting by briefly pressing the button when you approach the required value.

- briefly press the MENU ESC button to go back to the menu screen or hold the button down to go back to the standard screen without saving.

FIRST PAGE (display of information on the main screen)

This function allows you to choose the information you would like to see on the main screen. You can choose to display the date or the turbocharger boost pressure.

To make your choice, proceed as follows:

- briefly press MENU ESC: “First page” will appear on the display;
- briefly press MENU ESC again to show the display options: “Date” and “Engine info”;
- press + or – to select the information you wish to see on the main page of the display;
- briefly press the MENU ESC button to go back to the menu screen or hold the button down to go back to the standard screen without saving.

When the key is turned to MAR and the initial check stage is over, the display will show the information selected via the “First page” menu function.

KNOWING YOUR VEHICLE

SAFETY

STARTING
AND DRIVING

WARNING LIGHTS
AND MESSAGES

IN AN
EMERGENCY

MAINTENANCE
AND CARE

TECHNICAL
SPECIFICATIONS

CONTENTS

SEE RADIO (Display of audio information)

With this function the display shows information about the sound system.

- Radio: selected radio station frequency or RDS message, automatic tuning activation or AutoSTore;
- audio CD, MP3 CD: track number;
- CD Changer: CD number and track number;

To show the sound system information on the display (On) or clear it (Off), proceed as follows:

- briefly press MENU ESC: On or Off will flash on the display (depending on previous setting);
- press + or – to make your choice;
- briefly press the MENU ESC button to go back to the menu screen or hold the button down to go back to the standard screen without saving.

AUTOCLOSE (Automatic central locking with car moving)

When activated (On), this function locks the doors automatically when the vehicle speed exceeds 20 km/h.

Proceed as follows to activate (On) or deactivate (Off) this function:

- press the MENU ESC button briefly: the display will show a submenu;
- briefly press MENU ESC: On or Off will flash on the display (depending on previous setting);
- press + or – to make your choice;
- briefly press the MENU ESC button to go back to the submenu screen or hold the button down to go back to the main menu screen without saving;
- hold MENU ESC pressed to go back to the standard screen or main menu according to the position in the menu.

MEASUREMENT UNITS (Setting measurement units)

With this function is possible to set the unit of measurement in three submenus: “Distance”, “Consumption” and “Temperature”.

To set the required unit proceed as follows:

- briefly press MENU ESC to display the three submenus;
- press the button **+** or **-** to switch between the three submenus;
- once the submenu to be modified has been selected, briefly press the MENU ESC button;
- *if selecting “Distance”*: briefly press MENU ESC and the display will show “km” or “mi” (depending on the previous setting);
- press **+** or **-** to make your choice;
- *if selecting “Consumption”*: briefly press MENU ESC and the display will show “km/l”, “l/100km” or “mpg” (depending on the previous setting);

If the distance unit is set to km, you can set the fuel consumption unit to km/l or l/100km.

If the distance unit is set to mi, fuel consumption is displayed in mpg.

- press **+** or **-** to make your choice;
- *if selecting “Temperature”*: briefly press MENU ESC and the display will show “°C” or “°F” (depending on the previous setting);
- press **+** or **-** to make your choice;

When you have made the required adjustments, briefly press MENU ESC to go back to the submenu screen or hold the button down to go back to the main menu screen without saving;

- hold the MENU ESC button down again to return to the standard screen or to the main menu according to the position in the menu.

KNOWING YOUR VEHICLE

SAFETY

STARTING
AND DRIVING

WARNING LIGHTS
AND MESSAGES

IN AN
EMERGENCY

MAINTENANCE
AND CARE

TECHNICAL
SPECIFICATIONS

CONTENTS

LANGUAGE (Selecting language)

Display messages can be shown in different languages: Italian, English, German, Portuguese, Spanish, French, Polish, Turkish and Dutch.

To set the desired language, proceed as follows:

- briefly press MENU ESC: the previously set language will flash on the display;
- press + or – to make your choice;
- briefly press the MENU ESC button to go back to the menu screen or hold the button down to go back to the standard screen without saving.

WARNING VOLUME (Adjusting the failure/warning buzzer volume)

With this function the volume of the buzzer which accompanies the display of any failure/warning can be adjusted according to 8 levels.

To set the desired volume, proceed as follows:

- briefly press MENU ESC: the previously set volume level will flash on the display;
- press the button + or – for setting;
- briefly press the MENU ESC button to go back to the menu screen or hold the button down to go back to the standard screen without saving.

BUTTON VOLUME **(Adjusting the button volume)**

This function may be used to adjust (to 8 levels) the volume of the noise made when the MENU ESC, + e – buttons are pressed.

To set the desired volume, proceed as follows:

- briefly press MENU ESC: the previously set volume level will flash on the display;
- press the button + or – for setting;
- briefly press the MENU ESC button to go back to the menu screen or hold the button down to go back to the standard screen without saving.

SEAT BELT BUZZ **(SBR buzzer reactivation)**

(for versions/markets where provided)

This function can only be displayed after Abarth Dealership has deactivated the SBR system (see paragraph “SBR system” in section “Safety devices”).

SERVICE (Scheduled servicing)

Using this function you can display information about the mileage intervals for car servicing.

To consult this display, proceed as follows:

- briefly press MENU ESC: service intervals in km or mi, depending on the previous setting, will be displayed (see “Measurement units”);
- press the MENU ESC button briefly to return to the menu screen or hold the button down to return to the standard screen.

Note The “Scheduled Servicing Plan” requires the vehicle to be serviced every 15,000 km (or 9,000 mi). This indication will appear automatically, with the key in MAR position, starting from 2,000 km (or 1,240 mi) when the next service is due and will be displayed again every 200 km (or 124 mi). Below 200 km servicing indications are more frequent. The displaying will be in kilometres or miles depending on the measurement unit settings. When the next scheduled service is approaching and the key is turned to MAR, the word Service will appear on the display, followed by the number of kilometres or miles left. Go to an Abarth Dealership, where the “Scheduled Servicing Plan” operations will be performed and the message will be reset.

KNOWING YOUR VEHICLE

SAFETY

STARTING
AND DRIVING

WARNING LIGHTS
AND MESSAGES

IN AN
EMERGENCY

MAINTENANCE
AND CARE

TECHNICAL
SPECIFICATIONS

CONTENTS

AIRBAG/PASSENGER BAG
(Passenger front air bag and side bag
– protecting chest/pelvis – activation/deactivation)

This function is used to activate/deactivate the front passenger's airbag.

Proceed as follows:

- press MENU ESC and, after the message Bag pass: Off (to deactivate) or Bag pass: On (to activate) is displayed by pressing buttons + or –, press MENU ESC again;
- the display will show the confirmation request message;
- press + or – to select either Yes (to confirm activation/deactivation) or No (to abort);
- briefly press MENU ESC to confirm the setting and go back to the menu screen or hold the button down to go back to the standard screen without saving.

DAYTIME RUNNING LIGHTS (DRL)
(for versions/markets where provided)

With this function is possible to turn the day lights on and off.

Proceed as follows to activate or deactivate this function:

- press the MENU ESC button briefly: the display will show a submenu;
- press the MENU ESC button briefly, the display will show On or Off flashing depending on the previous setting;
- press + or – to make your choice;
- briefly press the MENU ESC button to go back to the submenu screen or hold the button down to go back to the main menu screen without saving;
- again, give the MENU ESC button a long press to return to the standard screen or to the main menu according to the position in the menu.

EXIT MENU

This is the last function that closes the cycle of settings listed in the menu screen.

Briefly press MENU ESC to go back to the standard screen without saving.

Press – to return to the first menu option (Speed Beep).

TRIP COMPUTER

General information

The Trip computer is used to display information on car operation when the key is turned to MAR. This function is made up of two separate trips called “Trip A” and “Trip B” which can monitor the car’s “complete mission” independently of each other. Both functions can be zeroed (reset - start of a new journey).

“Trip A” is used to display the figures relating to:

- Outside temperature
- Range
- Trip distance
- Average consumption
- Current consumption
- Average speed
- Trip time (driving time).

Trip B allows the display of the following parameters:

- Trip distance B
- Average consumption B
- Average speed B
- Trip time B (driving time).

N.B. “Trip B” may be disabled (see “Activating Trip B”). “Range” and “Instantaneous consumption” cannot be reset.

Values displayed

Outside temperature

Indicates the temperature outside the vehicle passenger compartment.

Range

This indicates the approximate distance that may be travelled with the fuel remaining in the tank, assuming that driving conditions do not change. The display will show the reading

“----“ when the following events take place:

- range value lower than 50 km (or 30 mi)
- car parked with engine running for a long period.

Distance travelled

This value shows the distance covered from the start of the new journey.

Average consumption

This value shows the approximate average fuel consumption from the start of the new journey.

Current consumption

This indicates the fuel consumption. The value is constantly updated. The display will show “----” if the car is parked with the engine running.

Average speed

This value shows the car’s average speed as a function of the overall time elapsed since the start of the new mission.

KNOWING YOUR VEHICLE

SAFETY

STARTING AND DRIVING

WARNING LIGHTS AND MESSAGES

IN AN EMERGENCY

MAINTENANCE AND CARE

TECHNICAL SPECIFICATIONS

CONTENTS

Trip time

Time elapsed since the start of the new journey.

IMPORTANT In the absence of information, Trip Computer values are displayed with “----”. When normal operating condition is restored, calculation of different units will restart regularly. No values displayed before the failure will be reset nor will a new mission be started.

TRIP control button fig. 19

The TRIP button is located on the right hand lever. With the ignition key turned to MAR, this button allows you to view the previously described parameters and reset them to begin a new mission:

- short press to display the different values;
- long press to reset and start a new mission.

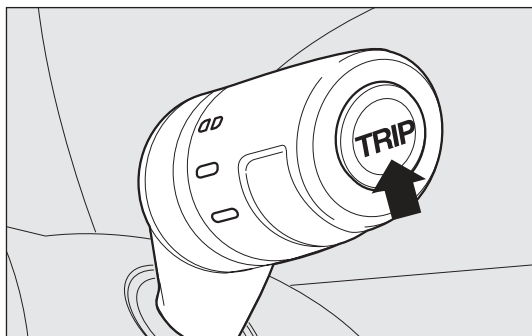


fig. 19

FOU018Ab

New mission

This begins after a reset:

- “manual” resetting by the user, by pressing the relevant button;
- “automatic” resetting, when the distance travelled reaches 99,999.9 km or when the journey time reaches 99.59 (99 hours and 59 minutes);
- disconnection/reconnection of the battery.

IMPORTANT The reset operation when “Trip A” details are being displayed resets the information associated with this function only.

IMPORTANT The reset operation when “Trip B” details are being displayed resets the information associated with this function only.

Start of journey procedure

With the ignition key in the MAR position, reset by pressing the TRIP button and keeping it pressed for more than 2 seconds.

Exit Trip

To exit from the Trip function: keep MENU ESC pressed for over 2 seconds.

FRONT SEATS



WARNING

Any adjustments should be carried out only when the vehicle is stationary.



The fabric covers on your vehicle have been designed to resist normal wear and tear for a long time. Some precautions are however needed. Avoid prolonged rubbing against clothing accessories, such as metal buckles, Velcro strips and the like, which by applying a high pressure on the fabric in a small area could cause the breakage of some threads and damage the upholstery.

Lengthwise direction adjustment fig. 20

Lift lever A and push the seat forwards or backwards: in the driving position your arms should rest on the rim of the steering wheel.



WARNING

Once you have released the adjustment lever, always check that the seat is locked on the guides by trying to move it back and forth. Failure to lock the seat in place could result in the seat moving suddenly and the driver losing control of the car.

Height adjustment fig. 20

(for versions/markets where provided)

Move lever B upwards or downwards to achieve the required height.

IMPORTANT Adjustment must only be carried out when seated in the relevant seat.

Backrest angle adjustment fig. 20

Turn knob C.



WARNING

For maximum safety, keep the backrest upright, lean back into it and make sure that the seat belt fits closely across your chest and hips.

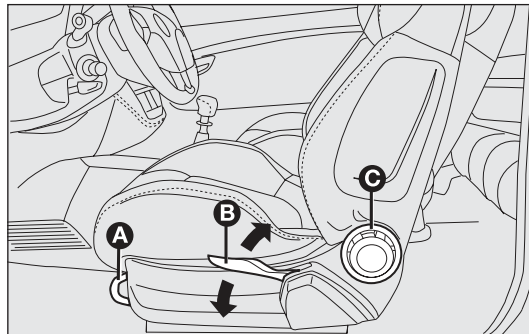


fig. 20

FOU019Ab

KNOWING YOUR VEHICLE

SAFETY

STARTING AND DRIVING

WARNING LIGHTS AND MESSAGES

IN AN EMERGENCY

MAINTENANCE AND CARE

TECHNICAL SPECIFICATIONS

CONTENTS

Backrest tilting fig. 21

To access the rear seats, pull handle A upwards: the backrest will fold forwards and the seat will slide forwards when you push the backrest.

When you put the backrest back up, the seat will return to its original position (mechanical memory).



WARNING

Always check that the seat is properly locked on the guides by trying to push it backwards and forwards.

REAR SEATS

To fold the rear seats, refer to the “Extending the boot” paragraph in this section.



The fabric upholstery of your car is designed to withstand normal wear and tear for a long time. Some precautions are however needed. Avoid prolonged rubbing against clothing accessories, such as metal buckles, Velcro strips and the like, which by applying a high pressure on the fabric in a small area could cause the breakage of some threads and damage the upholstery.

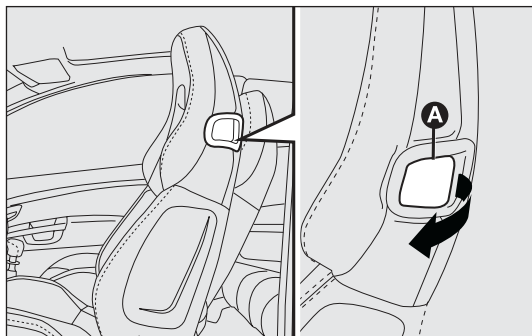


fig. 21

FOU020Ab

HEAD RESTRAINTS

FRONT fig. 22

The front head restraints are fixed on the backrest and cannot be adjusted in height.

To make the best use of the head restraint's protective action, adjust the backrest to keep the chest erect, with the head as close as possible to the restraint.



WARNING

The head restraints must be adjusted so that the head, rather than the neck, rests on them. Only in this case can they protect your head correctly.

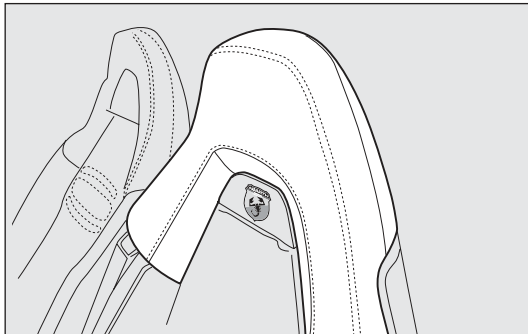


fig. 22

F0U022Ab

REAR fig. 23

To move the head restraint upwards, raise it until a click is heard (position of use).

To bring it to the position of non-use, press button A and lower the head restraint into the backrest.

To extract the rear head restraints press buttons A and B simultaneously and pull them upwards.

IMPORTANT If the rear seats are used, always set the head restraints in the “completely raised” position.

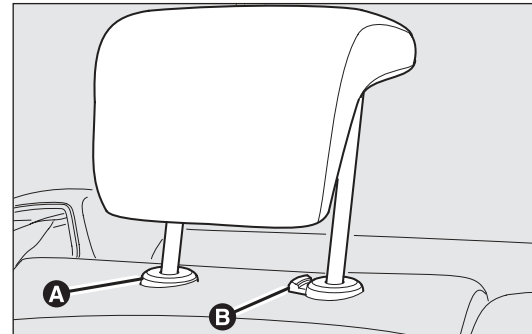


fig. 23

F0U023Ab

KNOWING YOUR VEHICLE

SAFETY

STARTING AND DRIVING

WARNING LIGHTS AND MESSAGES

IN AN EMERGENCY

MAINTENANCE AND CARE

TECHNICAL SPECIFICATIONS

CONTENTS

STEERING WHEEL

The driver can adjust the height and axial position of the steering wheel.

To carry out the adjustment, proceed as follows:

- release lever A-fig. 24 by pushing it forwards (position 1);
- adjust the steering wheel;
- lock lever A by pulling it towards the steering wheel (position 2).



WARNING

Any adjustment of the steering wheel position must be carried out only with the car stationary and the engine turned off.



WARNING

It is absolutely forbidden to carry out any after-market operation involving steering system or steering column modifications (e.g.: installation of anti-theft device) which could adversely affect performance and safety, invalidate warranty and also result in non-compliance of the car with type-approval requirements.

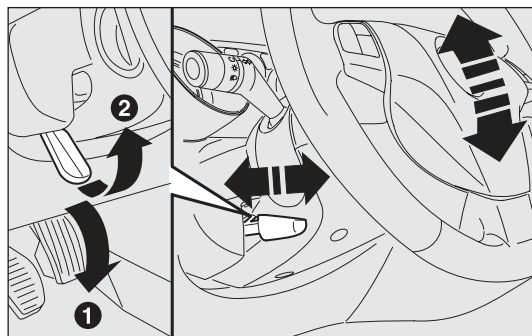


fig. 24

F0U024Ab

REAR VIEW MIRRORS

REAR VIEW MIRROR fig. 25

The mirror is fitted with a safety device that causes its release in the event of a violent impact with the passenger.

Lever A can be used to move the mirror to two different positions: normal or antiglare.

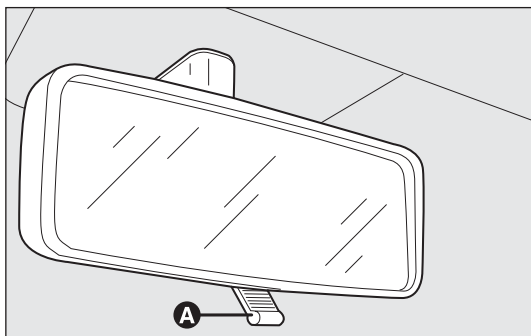


fig. 25

FOU025Ab

ELECTROCHROMIC REAR-VIEW MIRROR fig. 26 (for versions/markets where provided)

Some versions have an electrochromic mirror with automatic antiglare function.

When the function is active, LED A on the mirror is on.

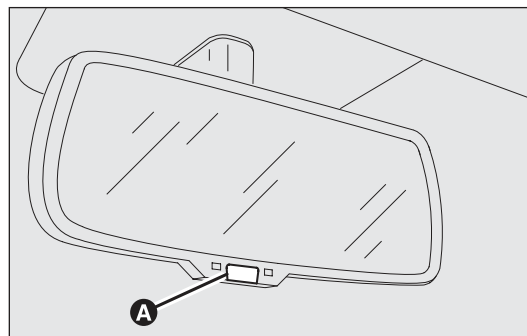


fig. 26

FOU026Ab

KNOWING YOUR VEHICLE

SAFETY

STARTING AND DRIVING

WARNING LIGHTS AND MESSAGES

IN AN EMERGENCY

MAINTENANCE AND CARE

TECHNICAL SPECIFICATIONS

CONTENTS

DOOR MIRRORS

Adjustment fig. 27

This operation is possible only with the key turned to MAR.

To carry out the adjustment, proceed as follows:

- use switch B to select the required mirror (left or right);
- to adjust the mirror, move switch C in the four directions.

Folding

When required (for example when the shape causes difficulty in narrow spaces), it is possible to fold the mirrors by moving them from position 1-fig. 28 to position 2.

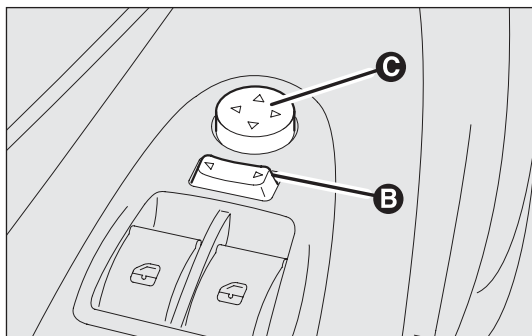


fig. 27


FOU027Ab



When driving, the mirrors should always be in position 1-fig. 28.

Defrosting/demisting

(for versions/markets where provided)

The mirrors are fitted with resistors that are activated when the heated rear windscreen is turned on (by pressing button .

IMPORTANT This function is timed and it will turn off automatically after a few minutes.



WARNING

As the driver's wing mirror is curved, it may slightly alter the perception of distance.

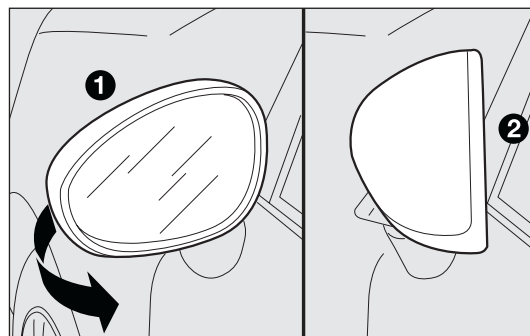


fig. 28

FOU028Ab

HEATING AND VENTILATION

FOU029Ab

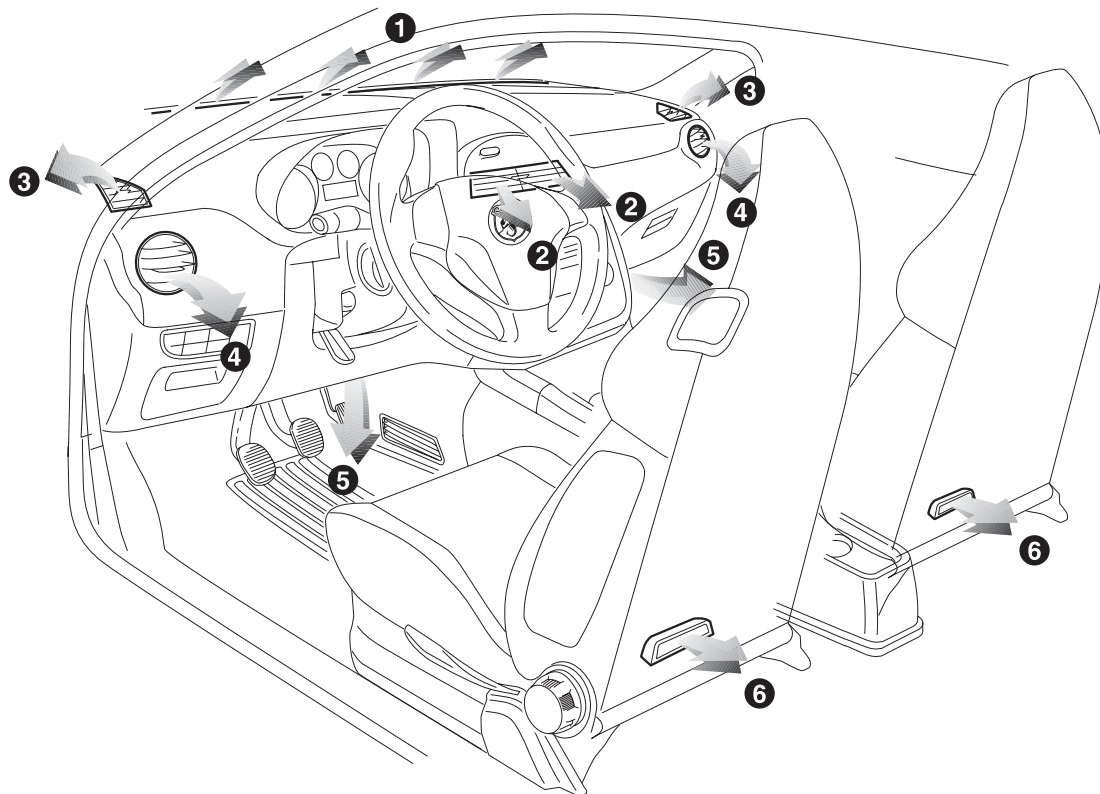


fig. 29

1. Fixed upper vent – 2. Adjustable central vents – 3. Fixed side vents – 4. Adjustable side vents – 5. Lower vents for front seats – 6. Lower vents for rear seats.

KNOWING YOUR VEHICLE

SAFETY

STARTING AND DRIVING

WARNING LIGHTS AND MESSAGES

IN AN EMERGENCY

MAINTENANCE AND CARE

TECHNICAL SPECIFICATIONS

CONTENTS

ADJUSTABLE SIDE AND CENTRE VENTS fig. 30-31-32

- A Fixed vent for side windows
- B Adjustable side vents
- C Adjustable centre vents

Vents A are fixed.

To use vents B and C, adjust them as required using the device.

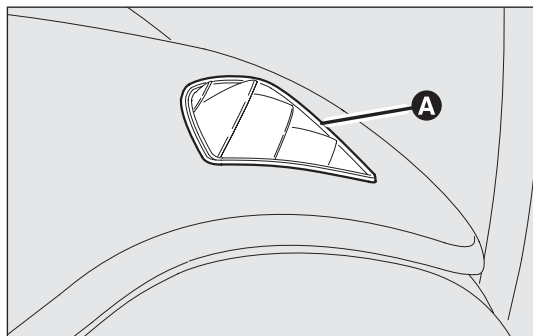


fig. 30

F0U032Ab

OPENING/CLOSING THE VENTS

To open/close the air vents, move the wheel fig. 32.

- = vent closed
- = vent open

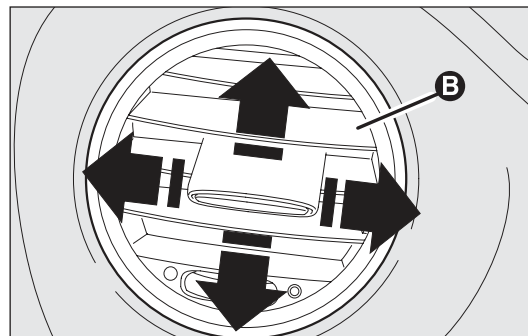


fig. 31

F0U0030Ab

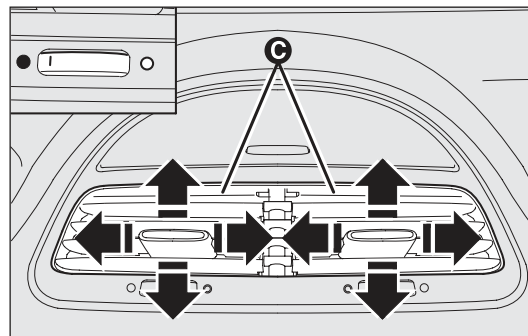


fig. 32

F0U031Ab

MANUAL CLIMATE CONTROL SYSTEM

CONTROLS fig. 33

Knob A regulates the air temperature (mixing hot and cold air)

Red section = hot air

Blue section = cold air

Knob B activates/adjusts the fan

0 = fan off

1-2-3 = fan speed

4 = max. fan speed

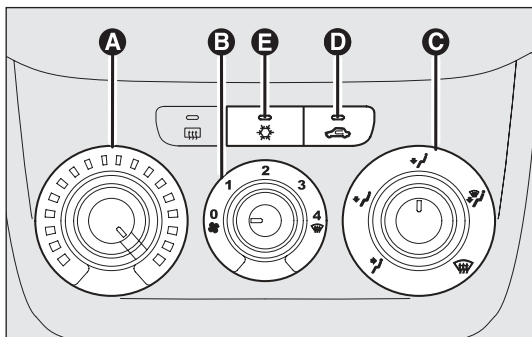


fig. 33

FOU033Ab

Knob C adjusts air distribution

- ↗ to direct air to the centre and side vents;
- ↘ to send air to the feet and direct cooler air to the dashboard vents, in intermediate temperature conditions;
- ↙ for heating when the outside temperature is very low: to direct as much air as possible to the feet;
- ↖ to warm the feet and, at the same time, demist the windscreen;
- ☼ for quick windscreen demisting.

Button D turns air recirculation on/off

Press the button (button LED on) to turn the air internal recirculation on.

Press the button again (button LED off) to turn the air internal recirculation off.

Button E turns climate control system on/off

Press the button (button LED on) to turn the climate control system on.

Press the button again (button LED off) to turn the climate control system off.

KNOWING YOUR VEHICLE

SAFETY

STARTING AND DRIVING

WARNING LIGHTS AND MESSAGES

IN AN EMERGENCY

MAINTENANCE AND CARE

TECHNICAL SPECIFICATIONS

CONTENTS


PASSENGER COMPARTMENT VENTILATION

To ventilate the passenger compartment well, proceed as follows:

- turn knob A to the blue section;
- turn air recirculation off by pressing button D (button LED off);
- turn knob C to *↻*;
- turn knob B to the required speed.

CLIMATE CONTROL SYSTEM (cooling)

For fast cooling of the passenger compartment, proceed as follows:

- turn knob A to the blue section;
- turn air recirculation on by pressing button D (button LED on);
- turn knob C to *↻*;
- press button E to turn the climate control system on; the LED on the button will come on;
- rotate knob B to 4  (max. fan speed).

Cooling adjustment

- turn knob A to the right to increase the temperature;
- turn air recirculation off by pressing button D (button LED off);
- turn the knob B to reduce the fan speed.



PASSENGER COMPARTMENT HEATING

Proceed as follows:

- turn knob A to the red section;
- turn knob C to the required symbol;
- turn knob B to the required speed.

FAST PASSENGER COMPARTMENT HEATING

For the fast heating of the passenger compartment, proceed as follows:



- turn knob A to the red section;
- turn air recirculation on by pressing button D (button LED on);
- turn knob C to ;
- rotate knob B to 4  (max. fan speed).

Then use the controls to maintain the required comfort conditions and press button D to turn air recirculation off (button LED off).

IMPORTANT With cold engine, you have to wait for a few minutes to let the system fluid reach the operating temperature.

FRONT WINDOW FAST DEMISTING/ DEFROSTING (WINDSCREEN AND SIDE WINDOWS)

Proceed as follows:



- turn knob A to the red section;
- rotate knob B to 4  (max. fan speed);
- turn knob C to ;
- turn air recirculation off by pressing button D so the button LED goes out.

After demisting/defrosting, operate the controls to restore the required comfort conditions.

IMPORTANT The climate control system is very useful for speeding up demisting since it dehumidifies the air. Adjust the controls as described above and press button E to switch the climate control system on; the LED on the button will light up.

Window demisting

In the event of considerable external moisture and/or rain and/or large differences in temperature inside and outside the passenger compartment, perform the following preventive window demisting procedure:

- turn knob A to the red section;
- turn air recirculation off by pressing button D so that the button LED goes out;
- turn knob C to  or to position  if the windows do not demist;
- turn knob B to 2nd speed.

IMPORTANT The climate control system is very useful for preventing the windows from misting up in the presence of high humidity since it dries the air introduced into the passenger compartment.

HEATED REAR WINDSCREEN AND DOOR MIRRORS DEMISTING/DEFROSTING fig. 34 (for versions/markets where provided)

Press the button A to activate this function; once enabled, the light on the button comes on.

This function is timed and will turn off automatically after 20 minutes. Press the button A again to switch the function off.

IMPORTANT Do not apply stickers on the inside of the rear window over the heating filaments to avoid damage that might cause it to stop working properly.

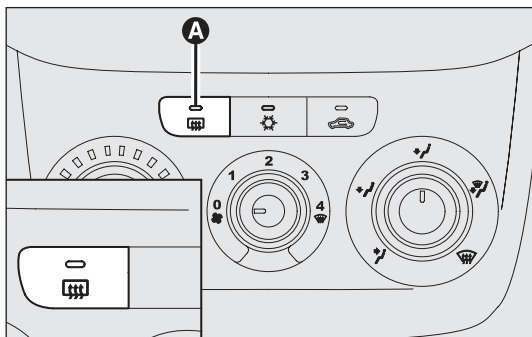


fig. 34

FOU034Ab

INTERNAL AIR RECIRCULATION ACTIVATION

Press  so that the button LED is on.

It is advisable to switch the internal air recirculation on whilst queuing or in tunnels to prevent the introduction of polluted air. However, it is better not to use the function for long periods, particularly if there are many people on board, to prevent the windows from misting inside.

IMPORTANT The inside air recirculation system makes it possible to reach the required heating or cooling conditions more quickly.

Do not use the air recirculation function on rainy/cold days as it would considerably increase the possibility of the windows misting inside.

SYSTEM SERVICING

In winter, the climate control system must be turned on at least once a month for about 10 minutes. Have the system inspected at an Abarth Dealership before the summer.



The system uses R134a refrigerant fluid which does not pollute the environment in the event of accidental leakage. Under no circumstances should R12 fluid be used as it is incompatible with the system components.

KNOWING YOUR VEHICLE

SAFETY

STARTING AND DRIVING

WARNING LIGHTS AND MESSAGES

IN AN EMERGENCY

MAINTENANCE AND CARE

TECHNICAL SPECIFICATIONS

CONTENTS

TWO-ZONE AUTOMATIC CLIMATE CONTROL

(for versions/markets where provided)

DESCRIPTION

The car is equipped with a two-zone climate control system which allows you to adjust the air temperature on the driver's and the passenger's side separately.

CONTROLS fig. 35

- A climate control compressor on/off button
- B internal air recirculation on/off button
- C climate control system information display
- D button for activating the MAX-DEF function (fast front window defrosting/demisting)

- E heated rear window on/off button
- F MONO function activation button (set temperature alignment) and passenger side temperature adjustment knob
- G climate control on/off button
- H fan speed increase/decrease
- I air distribution selection buttons;
- L AUTO function activation button (automatic operation) and driver side temperature adjustment knob
- M interior temperature sensor

SWITCHING ON THE CLIMATE CONTROL SYSTEM

The system can be activated by pressing any of the buttons; it is, however, advisable to set the desired temperatures on the display, then press the AUTO button.

The climate control system allows you to customise the temperatures requested (driver side and passenger side) with a maximum difference of 7°C.

The climate control system compressor works only with the engine running and with an outside temperature of above 4°C.

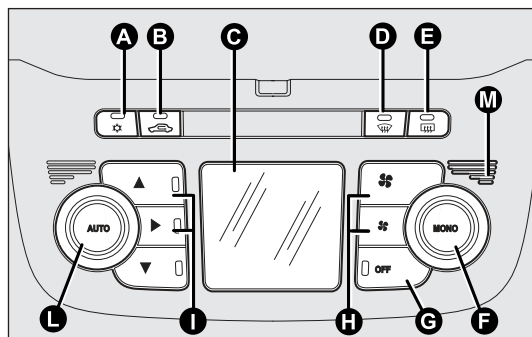


fig. 35

FOU035Ab

AUTOMATIC FUNCTION OF THE CLIMATE CONTROL SYSTEM (AUTO function)

Press the AUTO button; the system will automatically adjust:

- the amount of air introduced into the passenger compartment;
- the distribution of air inside the passenger compartment;

cancelling any previous manual settings.

During climate control system automatic operation, the words FULL AUTO appear on the display.

During automatic operation it is still possible to adjust the temperatures set and carry out the following operations manually:

- fan speed adjustment;
- air distribution selection;
- switching internal air recirculation on/off;
- switching on the climate control system compressor.



WARNING


It is advisable not to use the air recirculation function when the outside temperature is low to prevent the windows from rapidly misting up.

ADJUSTING THE FAN SPEED

Press button  to increase/decrease the fan speed.


The 12 possible speeds are indicated by bars lighting up on the display:

- max fan speed = all bars lit
- min. fan speed = one bar lit.

The fan can be disabled (no bars lit) only if the climate control compressor has been switched off by pressing button .

To restore automatic fan speed control after a manual adjustment, press AUTO.

RAPID FRONT WINDOWS DEMISTING/DEFROSTING (MAX-DEF function)

Press button  to automatically activate the timed operation of all the functions required to rapidly demist/defrost the windscreen and front side windows.

KNOWING YOUR VEHICLE

SAFETY

STARTING AND DRIVING

WARNING LIGHTS AND MESSAGES


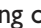
IN AN EMERGENCY

MAINTENANCE AND CARE

TECHNICAL SPECIFICATIONS

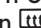
CONTENTS

These functions are:


- climate control compressor engagement (with an outside temperature above 4°C);
- switching off, if previously on, of the interior air recirculation (LED on button  off);
- switching on of heated rear windscreen (LED on button  on) and door mirror heater coils;
- setting maximum air temperature;
- activation of air flow.

DEMISTING/DEFROSTING OF HEATED REAR WINDOW AND DOOR MIRRORS

Press button  to activate; when this function is activated, the button LED lights up.

This function is timed and will turn off automatically after 20 minutes. Press the button  again to switch the function off.



IMPORTANT Do not apply stickers on the inside of the rear window over the heating filaments to avoid damage.



IMPORTANT Press  to introduce air from the outside (in this case the LED on the button should be off).

INTERNAL AIR RECIRCULATION ACTIVATION

Press button .

Air recirculation is carried out according to two possible operating modes:

- permanently off (air recirculation always off with introduction of external air), indicated by the LED on button  being off;
- permanently on (air recirculation always on), signalled by the LED on button  being lit.

When OFF is pressed, the climate control system automatically activates internal air recirculation (LED on button  on). It is still possible to activate outside air recirculation (LED on the button off) and vice versa, by pressing button .


IMPORTANT The inside air recirculation system makes it possible to reach the required heating or cooling conditions faster depending on the mode selected. It is not advisable to switch the air recirculation on when it is rainy/cold to prevent the windows from misting up, especially if the climate control is not turned on. It is advisable to switch the internal air recirculation on whilst queuing or in tunnels to prevent the introduction of polluted air.

Do not use the function for a long time, particularly if there are several passengers on board, to prevent the windows from misting up.



SET TEMPERATURE ALIGNMENT (MONO function)

Press the MONO button to align the temperature between the driver side and passenger side. Then turn the AUTO or MONO knob to increase/decrease the temperature between the two areas by the same amount. Press MONO again to deactivate the function.



CLIMATE CONTROL COMPRESSOR ACTIVATION/DEACTIVATION


Press button  to switch on the climate control system compressor.


Compressor engagement

- the LED on button  is lit up;
- symbol  is shown on the display.




Compressor off






- the LED on button  is off;
- symbol  disappears from the display;
- internal air recirculation excluded.

With the climate control compressor switched off, air cannot be introduced into the passenger compartment that has a lower temperature than the outside air; in this case the  symbol in the display will flash.

The deactivation of the climate control compressor is memorised even after the engine has stopped. To turn the climate control compressor back on, press button  again or press AUTO: if you press AUTO, the other manual settings will be cancelled.

SETTING THE AIR DISTRIBUTION

Press one or more of buttons // to manually select one of the 7 possible air distribution settings for the passenger compartment:

-  Air flow to the windscreen and front side window vents to demist/defrost them.
-  Air flow to the front and rear footwell vents. This air distribution allows the passenger compartment to be warmed up quickly.
- 
 Air flow distribution between front and rear vents, centre/side dashboard vents, rear vent and windscreen and front side window demisting/defrosting vents.
-  Air flow distribution to centre/side dashboard vents (passenger's body).

KNOWING YOUR VEHICLE

SAFETY

STARTING
AND DRIVING

WARNING LIGHTS
AND MESSAGES

IN AN
EMERGENCY

MAINTENANCE
AND CARE

TECHNICAL
SPECIFICATIONS

CONTENTS

↑↓ Air flow distribution between the footwell vents and the windscreen and front side window demisting/defrosting vents. This distribution setting allows the passenger compartment to warm up efficiently and prevents the windows from misting up.

↔↔ Air flow distribution between footwell vents (hotter air) and centre/side dashboard vents and rear vent (cooler air).

↔↑ Air flow distribution between centre/side dashboard vents, rear vent and windscreen and front side window demisting/defrosting vents. This distribution setting ventilates the passenger compartment well and prevents the windows from misting up.

IMPORTANT For the climate control system to function, at least one of the following buttons must be on: ↑/↔/↓. The system does not allow all the buttons ↑/↔/↓ to be switched off.

IMPORTANT Push the OFF button to turn the climate control system back on: in this way, all operating conditions saved before switching off are restored.

To restore automatic control of the air distribution after a manual selection, press the AUTO button.

ADDITIONAL HEATER

(for versions/markets where provided)

This device warms up the passenger compartment more quickly when it is very cold and the engine coolant temperature is low.

In these conditions, the device comes on automatically when the engine is started and the fan is on.


The additional heater turns off automatically after reaching the required comfort conditions.

IMPORTANT The heater will not turn on if the battery voltage is too low.

SWITCHING OFF THE CLIMATE CONTROL SYSTEM

Press the OFF button.

The following information is shown on the display:

- the word OFF;
- outside temperature reading;
- indication that air recirculation is switched on (LED on button  on).

EXTERNAL LIGHTS

The left-hand stalk operates most of the external lights. The ignition key has to be in the MAR position for the exterior lights to come on. The instrument panel and the various dashboard controls will come on with the external lights.

The twist switch positions are shown in fig. 36:

- Day lights (D.R.L.)
- ☀ Day lights (D.R.L.) and side lights
- ☾ Side lights and dipped headlamps

DAYTIME RUNNING LIGHTS (DRL) fig. 36 (for versions/markets where provided)

With the ignition key turned to MAR and the twist switch turned to position ○ the daytime running lights are automatically activated; the other lights and interior lighting remain off.

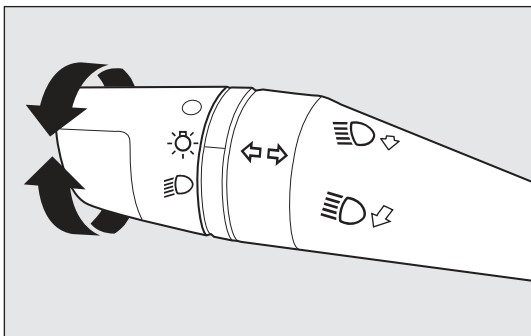


fig. 36

FOU036Ab

The automatic operation of the daytime running lights can be activated/deactivated via the display menu (see “Reconfigurable multifunction display” paragraph in this section). If the daytime running lights are deactivated, no light comes on when the twist switch is turned to ○.



WARNING

The daytime lights are an alternative to dipped beam headlights for driving during the daytime. They are compliant in countries where it is obligatory to have lights on during the day and permitted in those where it is not obligatory. Daytime running lights cannot replace dipped headlights when driving at night or through tunnels. The use of daytime running lights is governed by the highway code of the country in which you are driving. Comply with legal requirements.

DIPPED HEADLAMPS/SIDE LIGHTS fig. 36

With the ignition key turned to MAR, turn the twist switch to ☾. If dipped beams are activated, the daytime running lights go out and the side lights and dipped headlights come on. The warning light ☾ on the instrument panel comes on. When the ignition key is turned to STOP or removed and the twist switch is turned from ○ to ☾, all the side lights and number plate lights come on. The warning light ☾ on the instrument panel comes on.

KNOWING YOUR VEHICLE

SAFETY

STARTING AND DRIVING

WARNING LIGHTS AND MESSAGES



IN AN EMERGENCY

MAINTENANCE AND CARE


TECHNICAL SPECIFICATIONS

CONTENTS

MAIN BEAM HEADLIGHTS fig. 36

With twist switch in position , push the stalk forward toward the dashboard (stable position). The warning light  on the instrument panel will come on. Pulling the stalk towards the steering wheel, the main beams are turned off and the dipped beams on.

FLASHING fig. 36

You can flash the beams pulling the stalk toward the steering wheel (unstable position). The warning light  on the instrument panel will come on.

DIRECTION INDICATORS fig. 37

Place the lever in the (stable) position:

up (position 1): activates the right direction indicator;

down (position 2): activates the left direction indicator.

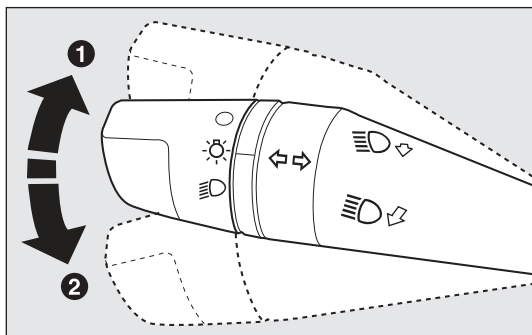




fig. 37

FOU037Ab

The  or  lights will blink on the instrument panel. The indicators switch off automatically when the steering wheel is straightened.

Lane change function

If you wish to signal a lane change, place the left lever in the unstable position for less than half a second. The direction indicator on the selected side flashes three times and then switches off automatically.

“FOLLOW ME HOME” DEVICE

This allows the space surrounding the car to be lit up for a certain period of time.

Activation

With the key turned to STOP or removed, pull the left-hand stalk towards the steering wheel within 2 minutes from when the engine is turned off. At each single movement of the stalk, the lights will remain on for an extra 30 seconds up to a maximum of 210 seconds; then the lights are switched off automatically.

When the stalk is moved, the light symbol on the instrument panel will light up and the corresponding message will appear in the display (see “Warning lights and messages”) as long as the function is on. The warning light comes on when the lever is operated and stays on until the function is automatically deactivated. Each movement of the lever only increases the amount of time the lights stay on.

Deactivation

Keep the lever pulled towards the steering wheel for more than 2 seconds.

FRONT FOG LIGHTS WITH CORNERING LIGHTS FUNCTION

When the dipped headlamps are on and the speed is below 40 km/h, if the steering wheel rotation angle is large or the direction indicators are on, a light (incorporated in the fog light) will come on on the relevant side to improve visibility at nighttime. This function can be activated/deactivated via the display menu (see “Display functions” in this section).

WINDOW WASHING

The right-hand lever fig. 38 controls windscreen wiper/washer and heated rear window wiper/washer operation.

WINDSCREEN WASHER/WIPER

This operates only with the ignition key turned to MAR.

The twist switch on the right stalk can be moved to four different positions:

- windscreen wiper off;
- ⏏ intermittent operation;
- slow operation;
- fast operation.

Move the stalk to position A (unstable) to limit operation to the time for which the stalk is held in this position.

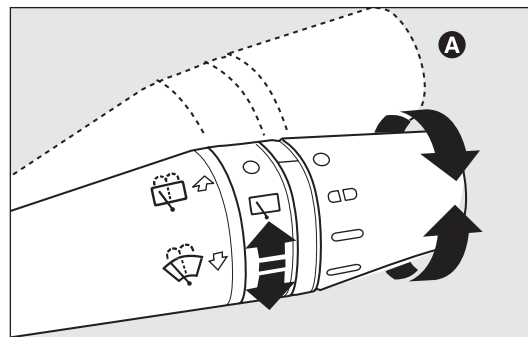


fig. 38

FOU038Ab

KNOWING YOUR VEHICLE

SAFETY

STARTING AND DRIVING

WARNING LIGHTS AND MESSAGES

IN AN EMERGENCY

MAINTENANCE AND CARE

TECHNICAL SPECIFICATIONS

CONTENTS

When released, the stalk returns to its default position and the wipers automatically switch off.

With the twist switch at **0D**, the windscreen wiper will automatically adapt to the speed of the car.

IMPORTANT Replace the wiper blades as specified in the “Maintenance and care” section.



Never use the windscreen wipers to remove layers of snow or ice from the windscreen. In such conditions, the windscreen wipers may be subjected to excessive stress and the motor protection which prevents operation for a few seconds may intervene. If operation is not restored, even after turning the key and restarting the engine, go to an Abarth Dealership.

“Smart washing” function

Pull the stalk towards the steering wheel (unstable position) to operate the windscreen washer.

Keeping the lever pulled for more than half a second, with just one movement it is possible to operate the washer jet and the wiper at the same time.

The wiper stops working three strokes after the stalk is released. A further stroke 6 seconds later completes the wiping operation.

RAIN SENSOR

(for versions/markets where provided)

The rain sensor is located behind the rear view mirror in contact with the windscreen and has the purpose of automatically adjusting the frequency of the windscreen wiper strokes depending on the intensity of the rain during intermittent operation.

IMPORTANT Keep the glass in the sensor area clean.

Activation

Move the twist switch on the right-hand stalk to **0D** fig. 38. The activation of the sensor is signalled by a wiper stroke. Through the setup menu it is possible to increase the sensitivity of the rain sensor. The increasing of the rain sensor sensitivity is signalled by a “stroke” to show the command has been acquired. If the windscreen washer is used with the rain sensor activated, the normal washing cycle is performed, after which the rain sensor resumes its normal automatic operation.

Deactivation

Move the stalk twist switch away from the position **⏏** fig. 38 or turn the ignition key to STOP. When the engine is next started (key at MAR), the sensor will not be reactivated even if the twist switch is still at **⏏** fig. 38. To activate the rain sensor, you have to move the twist switch from **⏏** to another position and then back to **⏏**. Rain sensor activation will be indicated by at least one wiper “stroke” even if the windscreen is dry.

REAR WINDOW WASHER/ WIPER

This operates only with the ignition key turned to MAR. The function stops when the stalk is released. Turning the twist switch from **○** to **☐** will operate the rear window wiper as follows:

- in intermittent mode if the windscreen wiper is off;
- synchronised operation (but with half-stroke frequency) when the windscreen wiper is on;
- continuous operation with reverse engaged and function on.

The rear window wiper will operate in continuous mode when the windscreen wiper is on and reverse gear is engaged.

Pushing the stalk towards the dashboard (unstable position) the rear window washer jet will activate.

Keep the stalk pushed for more than half a second to activate the rear window wiper as well.

Releasing the stalk will activate the smart washing function, as described for the windscreen wiper.



Do not use the rear window wiper to remove layers of snow or ice. In such conditions, the rear window wiper may be subjected to excessive stress, prompting intervention from the motor protection which prevents operation for a few seconds. If operation is not restored, even after turning the key and restarting the engine, go to an Abarth Dealership.

KNOWING YOUR VEHICLE

SAFETY

STARTING AND DRIVING

WARNING LIGHTS AND MESSAGES

IN AN EMERGENCY

MAINTENANCE AND CARE

TECHNICAL SPECIFICATIONS

CONTENTS


CRUISE CONTROL

(for versions/markets where provided)

This is an electronically controlled device which allows the vehicle to be driven at a chosen speed above 30 km/h on long stretches of dry, straight roads with few variations (e.g. motorways), without having to depress the accelerator pedal. It is therefore not recommended to use this device on extra-urban roads with traffic. Do not use it in town.

TURING THE DEVICE ON

Turn twist switch A-fig. 39 to ON.

The cruise control cannot be engaged in 1st or reverse gear. It is advisable to engage it in 4th gear or higher. When travelling downhill with the device engaged, the vehicle speed may slightly exceed the preset one. When the device is activated the warning light  comes on together with the relevant message on the instrument panel.

SETTING VEHICLE SPEED

Proceed as follows:

- turn twist switch A-fig. 39 to ON and press the accelerator pedal until you reach the required speed;

- move the stalk upwards (+) for at least one second, then release it. The car speed is now memorised and you can therefore release the accelerator pedal.

If needed (when overtaking for instance), you can accelerate simply by pressing the accelerator pedal; when you release the pedal, the car will return to the speed memorised previously.

RESTORING THE MEMORISED SPEED

If the device has been switched off, for example by depressing the brake or clutch pedal, the memorised speed can be restored as follows:

- accelerate gradually until reaching a speed approaching the memorised speed;
- engage the gear selected at the time of speed memorisation;
- press button RES B-fig. 39.

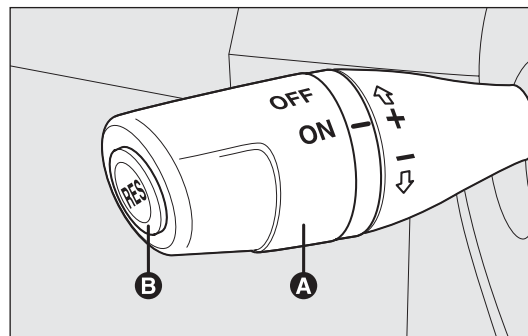


fig. 39

FOU039Ab

INCREASING THE MEMORISED SPEED

This can be done in two ways:

- by pressing the accelerator and then memorising the new speed reached;

or

- moving the stalk upwards (+).

Each operation of the lever will correspond to a slight increase in speed of about 1 km/h, while keeping the lever upwards will increase the speed continuously.

REDUCING THE MEMORISED SPEED

This can be done in two ways:

- by turning the device off and then storing a new speed;

or

- by moving the stalk downwards (–) until reaching the new speed which will be memorised automatically.

Each movement of the lever will correspond to a slight reduction in speed of about 1 km/h, while keeping the lever held downwards will decrease the speed continuously.

TURNING THE DEVICE OFF

The device can be switched off by the driver in the following ways:

- turning twist switch A to OFF;
- switching off the engine;
- pressing the brake pedal;

- pressing the clutch pedal;
- pressing the accelerator pedal; in this case, the system is not really switched off but the request for acceleration takes priority. The cruise control is, however, active and you do not need to press button RES B-fig. 39 to restore the previous conditions when you have finished accelerating.

The device is automatically switched off in the following cases:

- if the ABS or ESP systems cut in;
- if the car speed drops below the preset limit;
- if there is a system failure.



WARNING

While travelling with the device engaged, do not put the gear lever into neutral.



WARNING

In the event of malfunction or if the device fails, turn twist switch A to OFF and contact an Abarth Dealership.

CEILING LIGHTS

FRONT COURTESY LIGHT WITH SPOT LIGHTS fig. 40

Switch A is used to switch on/off courtesy lights.

With the switch A in the middle position, the lights C and D go on/off when front doors are opened/closed.

With switch A pressed to the left, the lights C and D are always off.

With switch A pressed to the right, the lights C and D are always on.

Lights switch on/off progressively.

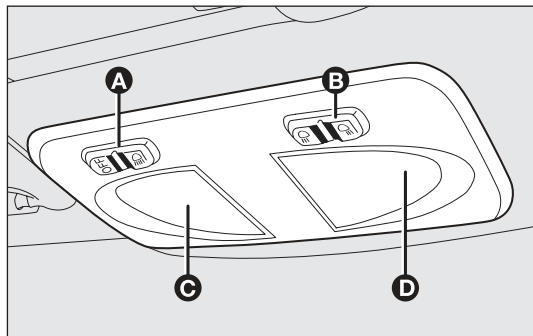


fig. 40

F0U040Ab

The switch B is a spot light; when the ceiling light is off, it switches the following on individually:

- light C if pressed on the left side;
- light D if pressed on the right side.

CAUTION Before getting out of the car, make sure both switches are in the middle position; when the doors are closed, lights switch off preventing a possible discharge of the battery.

In any case, if the switch is left in on position, the courtesy light switches off automatically 15 minutes after the engine switching off.

Courtesy light timing

On certain versions, to facilitate getting in/out of the car at night or in poorly-lit areas, two timed modes have been provided.

TIMED OPERATION FOR GETTING INTO THE VEHICLE

The courtesy lights switch on according to the following modes:

- for about 10 seconds when unlocking the front doors;
- for about 3 minutes when opening one of the side doors;
- for about 10 seconds when closing the doors.

The timed period is interrupted when the ignition is turned to “MAR – ON”.

TIMED OPERATION FOR GETTING OUT OF THE VEHICLE

After removing the key from the ignition, the courtesy lights switch on according to the following modes:

- within 2 minutes from turning the engine off for about 10 seconds;
- when opening one of the side doors for about 3 minutes;
- when one of the doors is closed for a period of about 10 seconds.

The timed delay period ends automatically when the doors are locked.

LUGGAGE COMPARTMENT LIGHT fig. 41

For versions fitted with boot light, the light comes on automatically when opening the tailgate and it will go off when closing.

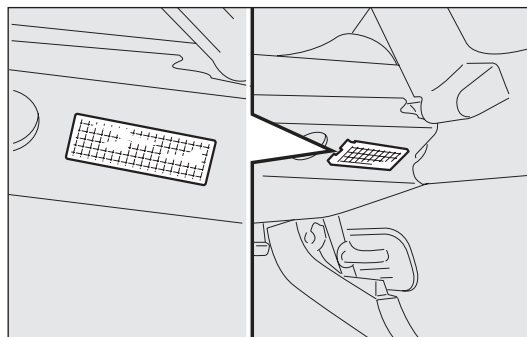


fig. 41

F0U041Ab

KNOWING YOUR VEHICLE

SAFETY

STARTING AND DRIVING

WARNING LIGHTS AND MESSAGES

IN AN EMERGENCY

MAINTENANCE AND CARE

TECHNICAL SPECIFICATIONS

CONTENTS

CONTROLS

HAZARD WARNING LIGHTS fig. 43

They are turned on by pressing switch A, regardless of the position of the ignition key.

With the device on, warning lights \leftarrow and \rightarrow light up in the instrument panel. Press the switch again to turn the lights off. The use of hazard warning lights is governed by the highway code of the country you are in. Comply with legal requirements.

Emergency braking

During emergency braking, the hazard warning lights come on automatically and warning lights \leftarrow and \rightarrow in the panel come on at the same time. The function switches off automatically when the nature of the braking changes. This function complies with the relevant legal regulations currently in force.

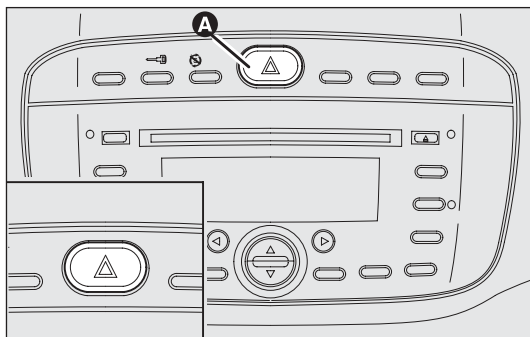


fig. 43

FOU043Ab

PARKING LIGHTS

These lights can be turned on only with the ignition key at STOP or removed, by moving the left stalk twist switch first to \bigcirc and then to \odot or \ominus . The warning light \odot on the instrument panel comes on.

FOG LIGHTS fig. 44

(for versions/markets where provided)

To turn the front fog lights on, press the button $\#D$ with the side lights on.

The warning light $\#D$ in the instrument panel will come on. Press the button again to turn the lights off.

The use of fog lights is governed by the highway code of the country in which you are driving. Comply with legal requirements.

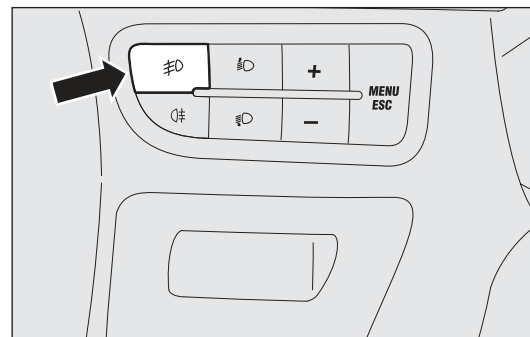




fig. 44

FOU044Ab

REAR FOG LIGHT fig. 45

These lights come on, with the dipped headlights on or with the side lights and fog lights on (for versions/markets where provided) by pressing the button . The warning light  in the instrument panel will come on. Press the button again to turn the lights off, or turn off the dipped beams and/or the front fog lights (where provided).

The use of rear fog lamps is governed by the Highway Code of the country you are in. Comply with legal requirements.

HEATED REAR WINDOW fig. 46

Press button A to turn this function on. With the heated rear windscreen on, this function will turn off automatically after about 20 minutes.

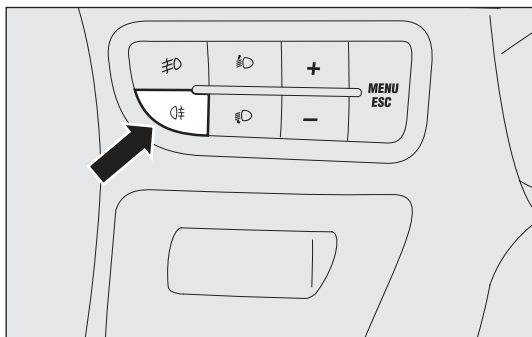


fig. 45

F0U045Ab

DOOR LOCK fig. 47

To lock all doors at the same time, press button A, located on the centre console control panel, regardless of the position of the ignition key.

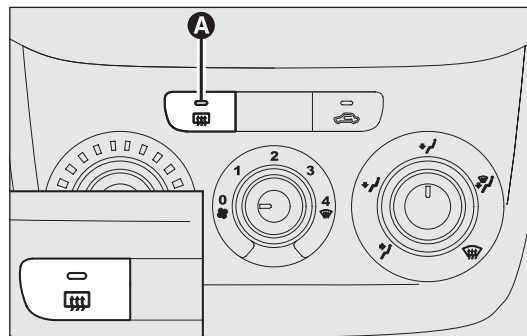


fig. 46

F0U046Ab

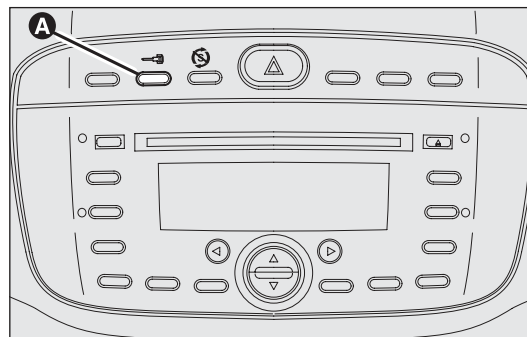


fig. 47

F0U047Ab

KNOWING YOUR VEHICLE

SAFETY

STARTING AND DRIVING

WARNING LIGHTS AND MESSAGES

IN AN EMERGENCY

MAINTENANCE AND CARE

TECHNICAL SPECIFICATIONS

CONTENTS

FUEL CUT-OFF SYSTEM

This intervenes in the case of an impact causing:

- cutting off fuel supply with resultant engine switching-off;
- automatically unlocking the doors;
- switching on of all interior lights.

The intervention of the system is indicated by a message shown on the display. Carefully check the car for fuel leaks, for instance in the engine compartment, under the car or near the tank area. After an impact, turn the ignition key to STOP to avoid draining the battery.



WARNING

If, after an impact, you smell fuel or notice leaks from the fuel system, do not reactivate the system to avoid the risk of fire.

Door unlocking in the event of an accident

If the fuel cut-off system activates following an accident, the doors will be automatically unlocked to allow access to the passenger compartment from the outside and the ceiling lights will be switched on at the same time. The doors can always be opened from the inside of the car by using the appropriate controls.

Restoring the fuel cut-off system

If no fuel leaks are detected after the collision and the car is able to start again, restore the operation of the cut-off system as described below.

The following procedure should be carried out to restore the correct operation of the vehicle:

- turn the ignition key to MAR;
- activate the right indicator;
- deactivate the right indicator;
- activate the left indicator;
- deactivate the left indicator;
- activate the right indicator;
- deactivate the right indicator;
- activate the left indicator;
- deactivate the left indicator;
- turn the key to STOP.

INTERIOR FITTINGS

GLOVE COMPARTMENT fig. 48

To open the glove compartment, operate the opening handle A.

The glove compartment features a document holder.

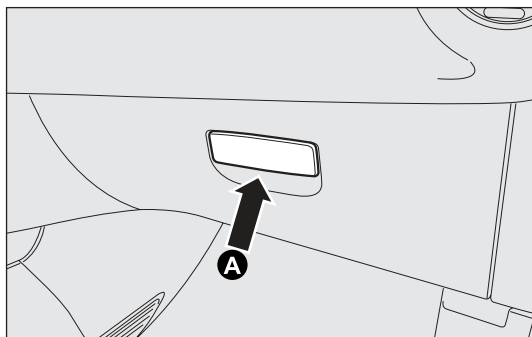


fig. 48

FOU048Ab

COMPARTMENTS IN THE GLOVE BOX fig. 49

Inside the glove compartment, for versions/markets where provided, there may be a card carrier A, a pen holder B, a vehicle document holder C and an oddments compartment D.

To access the vehicle document holder, use the handle to remove it from its housing by pulling in the direction shown by the arrow in the figure.

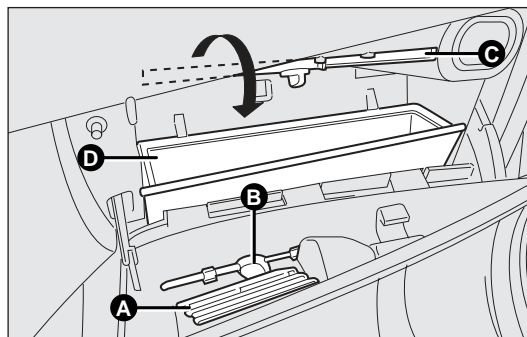


fig. 49

FOU049Ab

KNOWING YOUR VEHICLE

SAFETY

STARTING AND DRIVING

WARNING LIGHTS AND MESSAGES

IN AN EMERGENCY

MAINTENANCE AND CARE

TECHNICAL SPECIFICATIONS

CONTENTS

SIDE ODDMENTS COMPARTMENT

The storage compartment A-fig. 50 is located on the dashboard, to the left of the steering wheel. To open and close the compartment, use handle B-fig. 51.

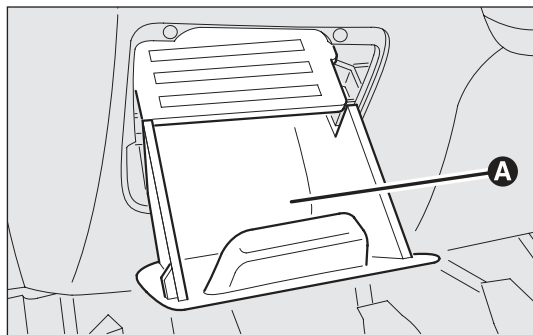


fig. 50

F0U051Ab

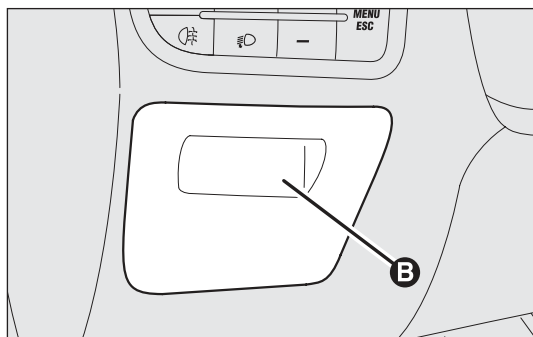


fig. 51

F0U050Ab

COMPARTMENT IN CENTRAL CONSOLE

Compartment A-fig. 52 is located on the central console in front of the handbrake.

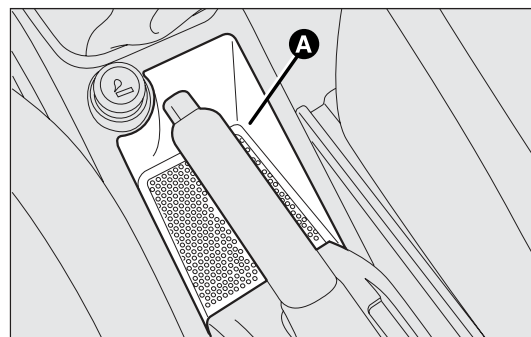


fig. 52

F0U052Ab

FRONT ARMREST WITH STORAGE COMPARTMENT

(for versions/markets where provided)

Certain versions are fitted with an armrest A-fig. 53 between the front seats.

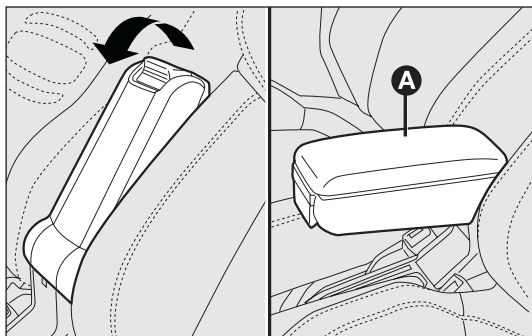


fig. 53

FOU053Ab

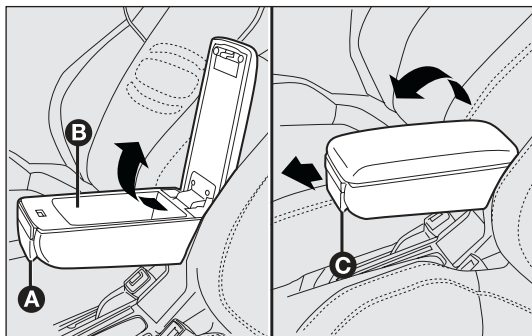


fig. 54

FOU054Ab

To bring this to the standard position, push it down as shown in fig. 53.
Press button A-fig. 54 to raise the top of the armrest in order to use storage compartment B.
Use lever C to tilt down the armrest with respect to its normal position.

DOOR POCKETS fig. 55

The oddment/document pockets and a bottle holder are located in the door panels.

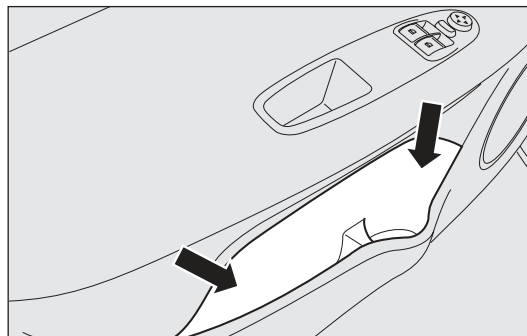


fig. 55

F0U202Ab

KNOWING YOUR VEHICLE

SAFETY

STARTING AND DRIVING

WARNING LIGHTS AND MESSAGES

IN AN EMERGENCY

MAINTENANCE AND CARE

TECHNICAL SPECIFICATIONS

CONTENTS

CAN HOLDER fig. 56

There are two cup/can holders on the central console (behind the handbrake).

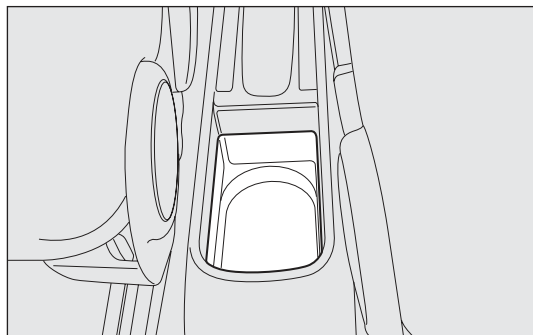


fig. 56

F0U057Ab

CARD HOLDERS fig. 57

The central console has slots where you can keep telephone cards, tickets, CDs.

CIGAR LIGHTER fig. 58

(for versions/markets where provided)

This is located on the central tunnel in front of the handbrake. Press button A to switch on the cigar lighter when the ignition key is turned to MAR.

After about 15 seconds the button will return to its original position automatically and the cigar lighter is ready for use. For versions/markets where provided, there may be a power socket in place of the cigar lighter.

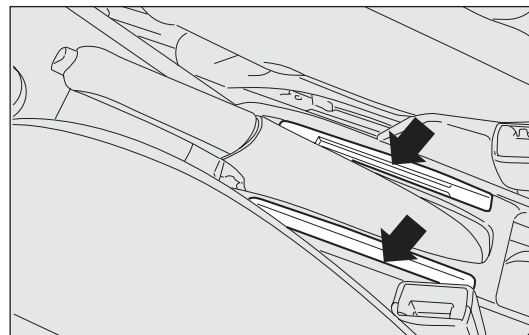


fig. 57

F0U058Ab

IMPORTANT Always check that the cigar lighter has turned itself off.



WARNING

The cigar lighter gets very hot. Handle it carefully and make sure that children don't touch it: risk of fire and/or burning.

ASHTRAY fig. 59-60

(for versions/markets where provided)

The ashtray is a removable plastic box that can be fitted into the glass/can recess on the central tunnel.

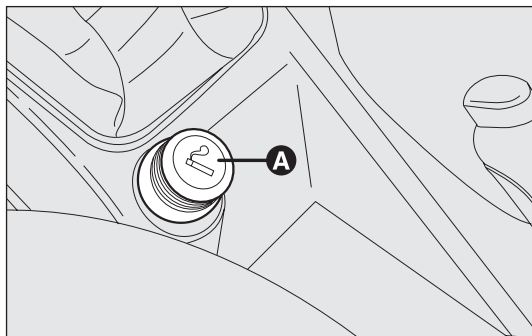


fig. 58

F0U059Ab

IMPORTANT Do not use the container as an ashtray and a waste paper basket at the same time: it might catch fire in contact with cigarette stubs.

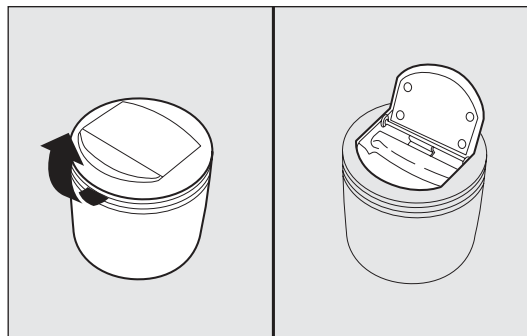


fig. 59

F0U060Ab

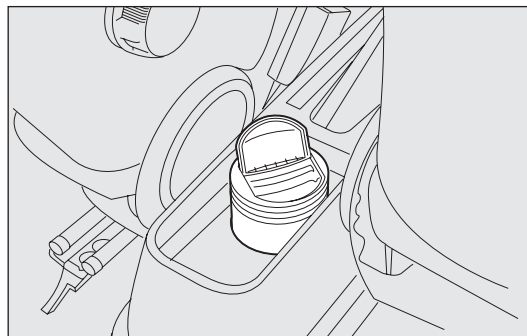


fig. 60

F0U061Ab

KNOWING YOUR VEHICLE

SAFETY

STARTING AND DRIVING

WARNING LIGHTS AND MESSAGES

IN AN EMERGENCY

MAINTENANCE AND CARE

TECHNICAL SPECIFICATIONS

CONTENTS

SUN VISORS fig. 61

They are located at the sides of the driving rear view mirror. They may be positioned at the front and at the side.

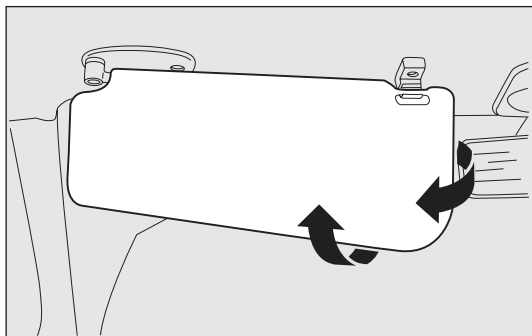


fig. 61

F0U062Ab

DOCUMENT HOLDER POCKET

(for versions/markets where provided)

On certain versions a document holder pocket is located on the back of the seat backrest fig. 62.

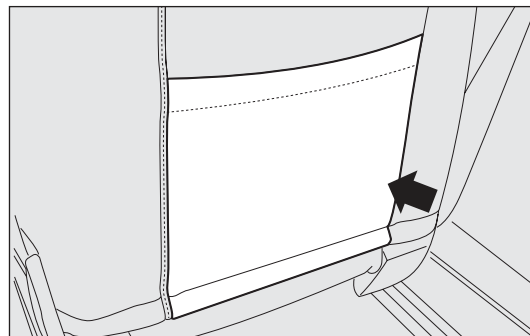


fig. 62

F0U063Ab

POWER SOCKET

(for versions/markets where provided)

This is located in the boot, on the left side of the plastic support for the parcel shelf fig. 63.

To use it, open cap A.

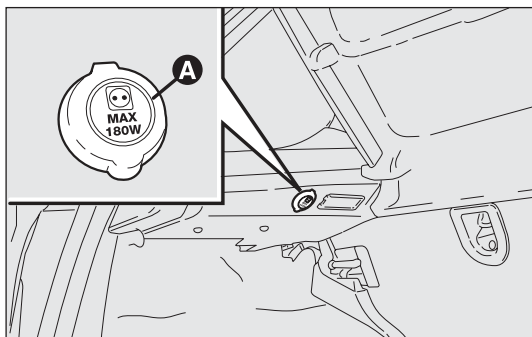


fig. 63

FOU188Ab

DASHBOARD STORAGE COMPARTMENT

Compartment A-fig. 64 is located in the middle of the dashboard. To use it, open flap B by pushing its button.

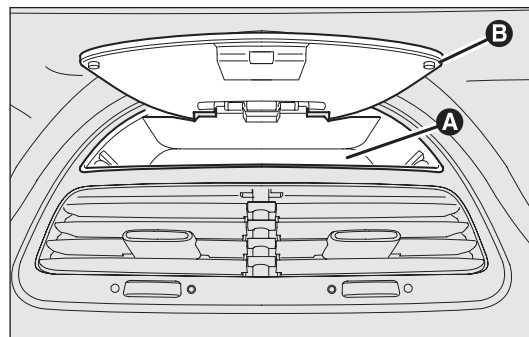


fig. 64

FOU064Ab

KNOWING YOUR VEHICLE

SAFETY

STARTING AND DRIVING

WARNING LIGHTS AND MESSAGES

IN AN EMERGENCY

MAINTENANCE AND CARE

TECHNICAL SPECIFICATIONS

CONTENTS

SKY DOME SUNROOF

(for versions/markets where provided)

The large electric sunroof comprises two panes of glass, one of which is mobile and the other fixed. These are equipped with two shutters (front and rear) that can be moved manually. The shutters can be used in “fully closed” or “fully open” positions (they have no fixed intermediate positions). To open the shutters: grip the handle A-fig. 65, release it and pull it in the direction of the arrows to the “fully open” position. To close them, carry out the procedure in reverse. The sun roof can be operated only with the ignition key turned to MAR.

The controls A-B fig. 65 on a dedicated control panel near the front ceiling lights open and close the sunroof.

Opening

Press and hold button B-fig. 65, and the front pane will move to the “spoiler” position; press button B-fig. 65 again for over half a second to make the sunroof slide automatically to the fully open position; press the button once more to stop the sunroof at an intermediate position.

Closing

From the fully open position, press button A-fig. 65 for over half a second to move the front pane to the “spoiler” position; press the button again to stop the sunroof at an intermediate position; press button A-fig. 65 once more and hold it down to close the sunroof completely.

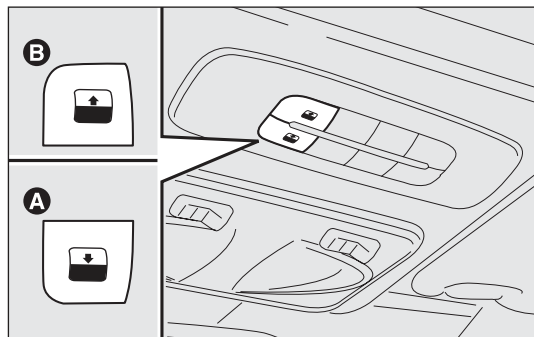


fig. 65

FOU065Ab



If a transverse roof rack is fitted, the sunroof should be used in the “spoiler” position only.



Do not open the sunroof when there is snow or ice as it could get damaged.



WARNING

When leaving the car, always remove the key from the ignition to avoid the risk of injury due to accidental operation of the sunroof. Improper use of the roof can be dangerous. Before and during operation, always check that no-one is at risk of being injured by the moving sunroof or by objects getting caught or hit by it.

ANTI-PINCH SAFETY DEVICE

The sunroof has an anti-pinch safety system capable of detecting the presence of an obstacle whilst the roof is closing; when this happens, the system stops and the movement of the glass is immediately reversed.

KNOWING YOUR VEHICLE

SAFETY

STARTING AND DRIVING

WARNING LIGHTS AND MESSAGES

IN AN EMERGENCY

MAINTENANCE AND CARE

TECHNICAL SPECIFICATIONS

CONTENTS

INITIALISATION PROCEDURE

After the battery has been disconnected or a fuse has blown, the operation of the sliding roof must be initialised again.

Proceed as follows:

- press button A-fig. 65 in closing position;
- hold the button down so that the sunroof closes in stages;
- after complete closure, wait for sunroof's electric motor to stop.

When leaving the vehicle, always remove the key from the ignition to avoid the risk of injury to those still inside the car due to accidental operation of the sunroof. Improper use of the roof can be dangerous. Before and during operation, always check that no-one is exposed to the risk of being injured by the moving sunroof or by objects getting caught or hit by it.

EMERGENCY OPERATION

If the switch does not work, the sunroof can be operated manually as follows:

- remove the protective cap located between the two shutters;
- take the Allen key (provided as standard) from the toolbox in the boot;
- insert the key into hole A-fig. 66 and turn it:
 - clockwise to open the roof;
 - anticlockwise to close the roof.

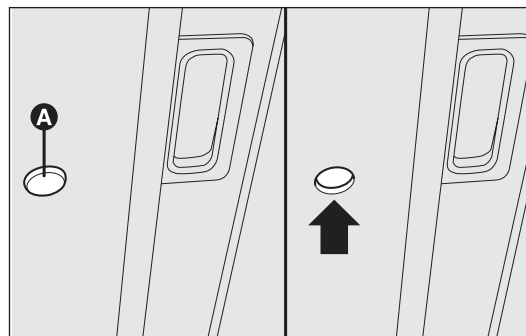




fig. 66

F0U066Ab

DOORS

DOOR CENTRAL LOCKING/UNLOCKING

Locking from the outside

With the doors closed, press button  on the remote control fig. 67 or insert the key into the lock of the door on the driver's side and turn it clockwise fig. 68. The locking of the doors is signalled by the LED on button A-fig. 69 flashing once. The doors can be locked only if they are all shut. If one or more doors are open after pressing button  on the remote control fig. 67, the direction indicators and the LED on the button A-fig. 69 flash quickly for approximately 3 seconds.

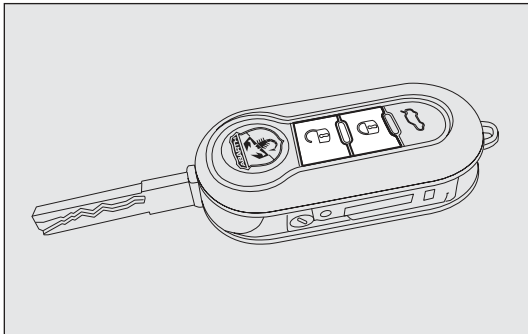



fig. 67

F0U067Ab

If one or more doors are open after turning the key, only the LED on button A-fig. 69 will blink rapidly for approximately three seconds. If the doors are closed but the boot is open, the doors are locked: the direction indicators (only when locking is carried out using button  fig. 67) and the LED on button A-fig. 69 flash quickly for approximately 3 seconds.

With this function on, you can still unlock the other doors by pressing button A-fig. 69 on the central control panel.

Double-tapping button  on the remote control fig. 67 activates the dead lock device (see “Dead lock”).

KNOWING YOUR VEHICLE

SAFETY

STARTING AND DRIVING

WARNING LIGHTS AND MESSAGES


IN AN EMERGENCY

MAINTENANCE AND CARE

TECHNICAL SPECIFICATIONS

CONTENTS

Door unlocking from the outside

Briefly press button  fig. 67 to unlock the doors remotely, turn on the ceiling lights for a limited period and double flash the direction indicators, or insert the key into the driver's door lock and turn it anticlockwise as shown in fig. 68.

Door locking/unlocking from the inside

Press button A-fig. 69 to lock/unlock all doors. The button has an LED that indicates whether the doors are locked or unlocked.

When the doors are locked, the LED is on and pressing the button causes central unlocking of all the doors and turns off the LED.

When the doors are unlocked, the LED is off and pressing the button causes central locking of all the doors.

The doors will be locked only if all the doors are properly shut.

For versions/markets where provided, when the exterior lights are on, the interior door handle is lit by an LED.

Following the locking of the doors using:

- remote control;
- door locking mechanism;

it will not be possible to unlock them by pressing button A-fig. 69 on the dashboard.

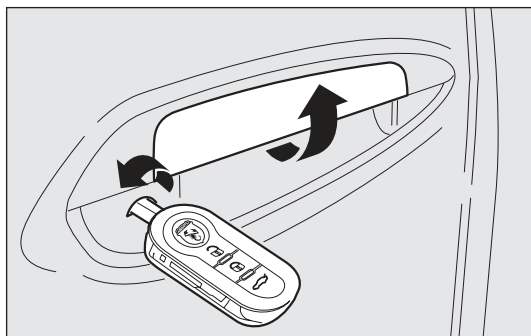


fig. 68

FOU068Ab

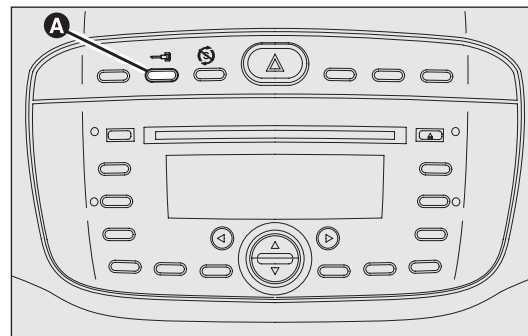


fig. 69

FOU069Ab

IMPORTANT With central locking on, pulling the internal handle of one of the front doors will unlock that door. Individual doors can be unlocked by pulling the opening handle of one of the rear doors.

If a power supply is not present (blown fuse, battery disconnected, etc.) it is, however, possible to lock the doors manually.

After exceeding 20 km/h, all the doors will be locked automatically if the setup menu function has been selected (see “Reconfigurable multifunction display” paragraph in this section).

DEAD LOCK

(for versions/markets where provided)

This safety device inhibits the operation of:

- internal handles;
- locking/unlocking button A-fig. 69;

thereby preventing the opening of the doors from inside the passenger compartment if there has been a break-in attempt (e.g. a window has been broken).

The dead lock device therefore offers the best possible protection against break in attempts. We recommend engaging it whenever the vehicle is parked and left unattended.



WARNING

Once the dead lock system is engaged, it is impossible to open the doors from inside the vehicle. Before getting out of the car, please therefore check that there is no-one left inside. If the remote control battery is flat, the system can only be disengaged by using the key metal insert in either of the door locks.

KNOWING YOUR VEHICLE

SAFETY

STARTING
AND DRIVING

WARNING LIGHTS
AND MESSAGES


IN AN
EMERGENCY

MAINTENANCE
AND CARE

TECHNICAL
SPECIFICATIONS

CONTENTS

Device activation

The dead lock device is automatically activated on every door when pressing the remote control button  briefly twice, fig. 67.

Device activation is indicated by 3 flashes of the direction indicators and the flashing of the LED in button A – fig. 69 located in the dashboard controls.

If one or both doors are not closed correctly, the dead lock device will not activate, thus preventing a person from getting stuck inside the passenger compartment by entering the car through, and then closing, the open door.

Device deactivation

The system is disabled automatically on every door when:

- opening the driver's door using the mechanical key;
- unlocking doors using the remote control;
- turning the ignition key to the MAR position.

POWER WINDOWS

Two switches fig. 70 on the inner armrest of the driver's door control the following with the ignition key in the MAR position:

- A opening/closing the left front window
- B right front window opening/closing

Continuous automatic operation

The driver's front window is equipped with an automatic device for winding the window up and down.

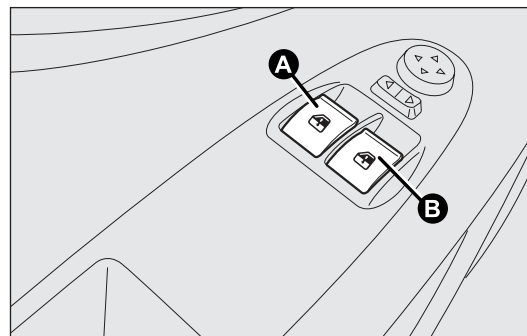


fig. 70

F0U072Ab

Keep the button pressed for longer than half a second to operate the automatic continuous winding of the window. The window will stop when it is fully opened or closed, or when the button is pressed again.

IMPORTANT With the ignition key at STOP or removed, the electric windows remain activated for about two minutes and are deactivated as soon as a door is opened.

Passenger side door

The front passenger door armrest features switch A-fig. 71 for controlling the corresponding window.

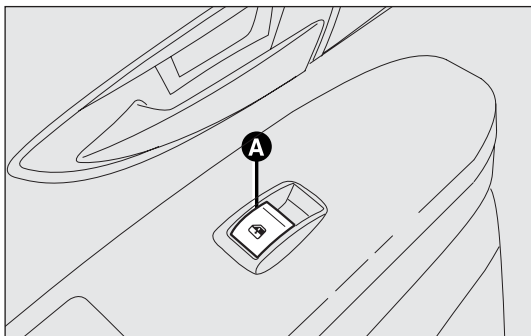


fig. 71

FOU073Ab



WARNING

Incorrect use of the power windows may be dangerous. Before and during operation, always check that no-one is exposed to the risk of being injured either directly by the moving window or through objects getting caught or by being hit. When leaving the vehicle, always remove the key from the ignition to avoid the risk of injury to anyone remaining in the car due to accidental operation of the electric windows.

KNOWING YOUR VEHICLE

SAFETY

STARTING AND DRIVING

WARNING LIGHTS AND MESSAGES

IN AN EMERGENCY

MAINTENANCE AND CARE


TECHNICAL SPECIFICATIONS

CONTENTS

BOOT

OPENING THE BOOT

The boot can be opened by pressing button A-fig. 72.

It can also be opened by pressing button  on the remote control fig. 73.

The direction indicators will blink twice when the tailgate is opened using the remote control.

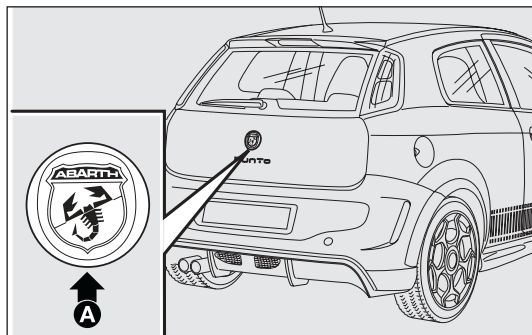


fig. 72

FOU074Ab



Putting additional objects onto the parcel shelf or rear door (speakers, spoiler, etc.), except when approved by the manufacturer, can affect the correct operation of the side gas shock absorbers of the rear door itself.



WARNING

When using the boot, never exceed the maximum admissible loads (see the “Technical specifications” section). Make sure that the objects are well arranged in the boot so that they will not be projected forwards following sudden braking, causing injury to passengers.

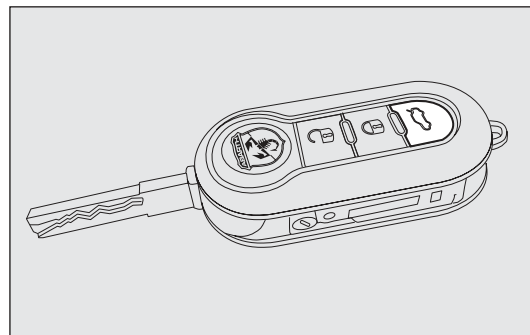


fig. 73

FOU075Ab



WARNING

When travelling, do not put any object on the parcel shelf because they can injure passengers in the event of an accident or sudden braking.

CLOSING THE BOOT

Lower the tailgate until you hear the locking click fig. 74.

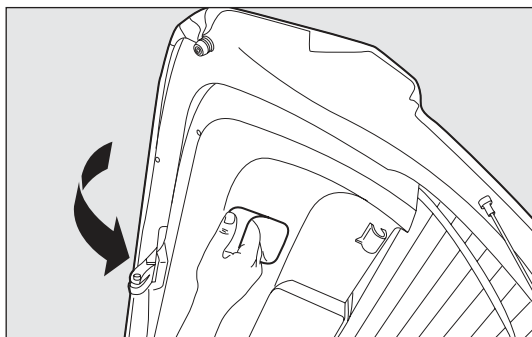


fig. 74

FOU076Ab

OPENING THE BOOT IN AN EMERGENCY fig. 75

To open the boot from inside if the car battery is flat or the electric lock of the rear door is faulty, proceed as follows:

- tilt the rear seats fully forward (see “Extending the boot” in this section);
- press lever B inside the boot.

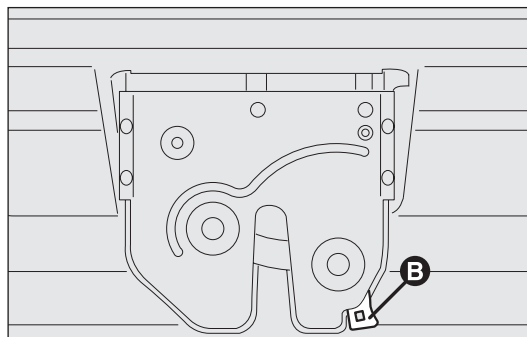


fig. 75

FOU077Ab

KNOWING YOUR VEHICLE

SAFETY

STARTING AND DRIVING

WARNING LIGHTS AND MESSAGES

IN AN EMERGENCY

MAINTENANCE AND CARE

TECHNICAL SPECIFICATIONS

CONTENTS

EXTENDING THE BOOT

Tilting the rear seat forwards gives maximum loading volume.

Proceed as follows:

- fully lower the rear seat head restraints;
- check that the seat belts are not twisted;

- tilt the cushions forward as shown by the arrow fig. 76;
- operate the handles A and B-fig. 77 to release the backrests and guide them down onto the cushion.

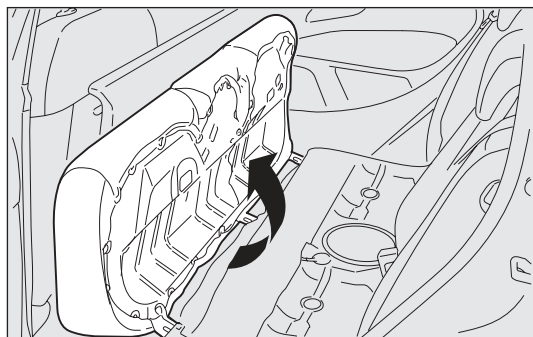


fig. 76

FOU078Ab

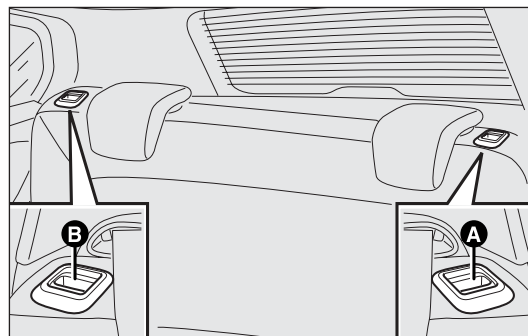


fig. 77

FOU079Ab

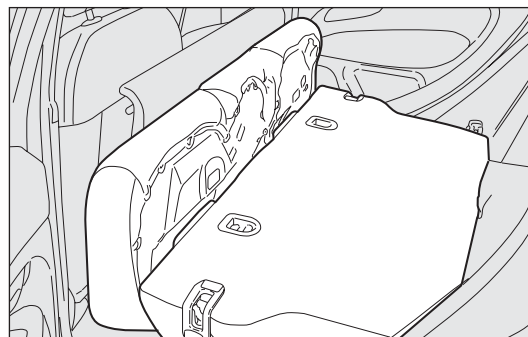


fig. 78

FOU081Ab

Repositioning the rear seat fig. 79

Raise the backrests and push them back until the locking click of both retainers is heard.

Position the seat belt buckles upwards and set the cushion to the position of normal use.

IMPORTANT The backrest is correctly secured when the red band next to the handles disappears. This red band indicates that the backrest is not secured. When returning the backrest to its normal position, make sure that it is correctly fastened and that you hear the lock click.

Make sure the backrest is properly secured at both sides to prevent it moving forward in the event of sharp braking that may cause injuries to passengers.

KNOWING YOUR VEHICLE

SAFETY

STARTING
AND DRIVING

WARNING LIGHTS
AND MESSAGES

IN AN
EMERGENCY

MAINTENANCE
AND CARE

TECHNICAL
SPECIFICATIONS

CONTENTS

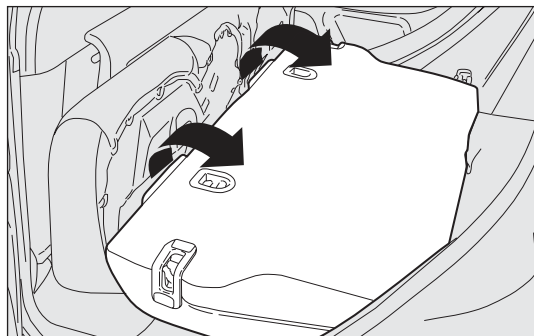


fig. 79

F0U082Ab

REMOVING THE PARCEL SHELF

To remove the parcel shelf in order to extend the boot: release the upper ends of the links A-fig. 80 by removing the eyelets from the pins, unhook and swivel the parcel shelf in its housing and then release both pins fig. 81 from the side holes.

Once removed, the parcel shelf can be positioned between the back of the front seats and the folded down cushion of the rear seat fig. 82.

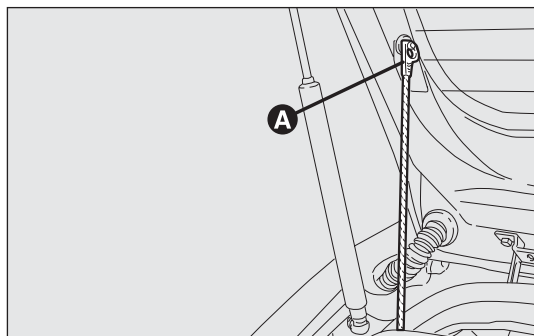


fig. 80

FOU083Ab

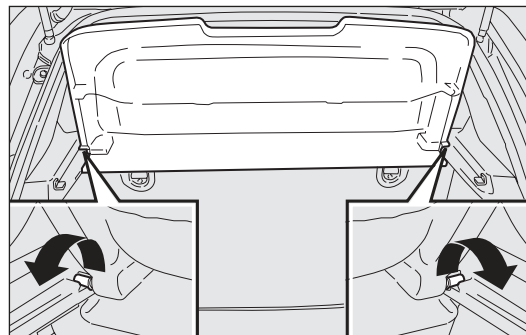


fig. 81

FOU084Ab

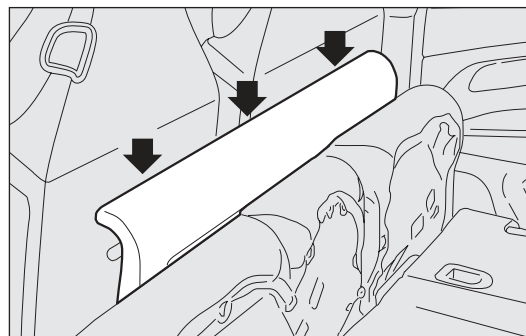


fig. 82

FOU085Ab

BONNET

OPENING

Proceed as follows:

- pull the lever fig. 83 in the direction of the arrow;
- pull the lever A-fig. 84 as shown in the figure;
- lift the bonnet and, at the same time, release the bonnet support rod from its locking device D-fig. 85; then insert the end of the bonnet support rod C-fig. 86 into the hole E.

IMPORTANT Before opening the bonnet, check that windscreen wiper arms are not lifted from the windscreen.

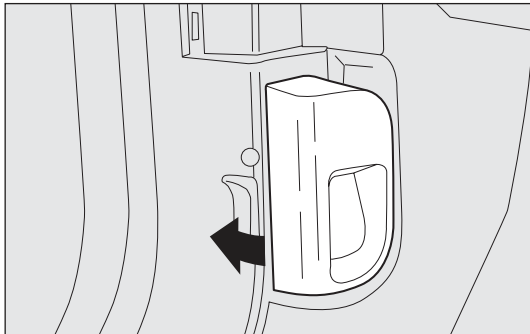


fig. 83

FOU086Ab

CLOSURE

Proceed as follows:

- hold the bonnet up with one hand and with the other remove the rod C-fig. 86 from the hole E and fit it back into its catch D-fig. 85;
- lower the bonnet to approximately 20 centimetres from the engine compartment, then let it drop. Make sure that the bonnet is completely closed and not fastened only by the safety catch. If it is not perfectly closed, do not try to press the bonnet lid down but open it and repeat the procedure.

IMPORTANT Always check that the bonnet is closed properly to prevent it from opening while the car is travelling.

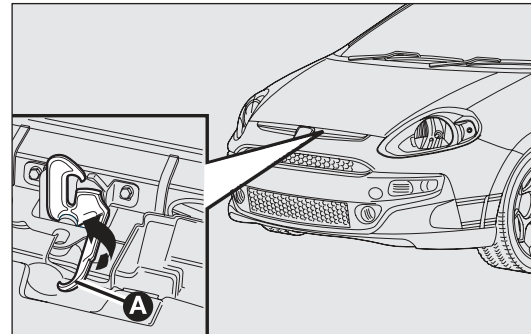


fig. 84

FOU087Ab

KNOWING YOUR VEHICLE

SAFETY

STARTING AND DRIVING

WARNING LIGHTS AND MESSAGES

IN AN EMERGENCY

MAINTENANCE AND CARE

TECHNICAL SPECIFICATIONS

CONTENTS



WARNING

The bonnet must always be perfectly closed while travelling for safety reasons. Make sure that the bonnet is properly closed and that the lock is engaged. If you notice whilst driving that the lock is not perfectly engaged, stop at once and close the bonnet properly.



WARNING

Positioning the support rod incorrectly could cause the bonnet to fall suddenly.



WARNING

Perform these operations only when the car is stationary.

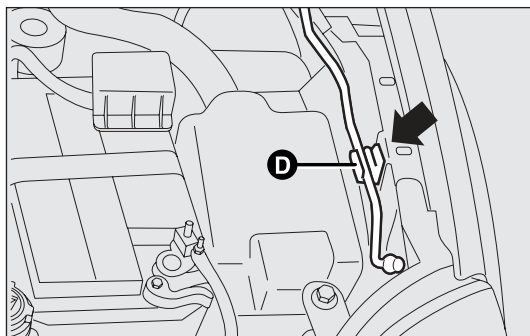


fig. 85

F0U088Ab

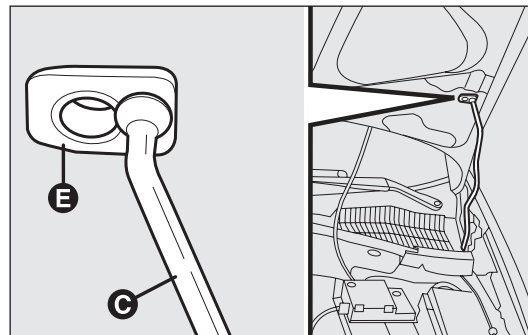


fig. 86

F0U089Ab

ROOF RACK/SKI RACK

The front hooks are located at points A-fig. 87.

The rear hooks are located at points B marked by the (▼) symbols on the rear side windows.

IMPORTANT Follow the instructions contained in the assembly kit carefully. Assembly must be performed by qualified personnel.

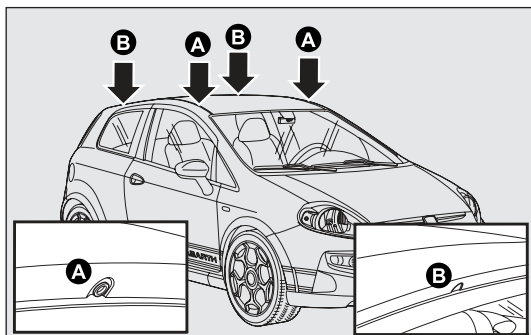


fig. 87

F0U090Ab



WARNING

After travelling a short distance, check that the attachment fixing screws are tight.



Strictly comply with current legal regulations concerning maximum overall dimensions.



WARNING

Distribute the load evenly and when driving, bear the increased sensitivity of the car to side wind in mind.



Never exceed the permitted weight (see section “Technical specifications”).

KNOWING YOUR VEHICLE

SAFETY

STARTING AND DRIVING

WARNING LIGHTS AND MESSAGES

IN AN EMERGENCY

MAINTENANCE AND CARE

TECHNICAL SPECIFICATIONS

CONTENTS

HEADLIGHTS

HEADLIGHT BEAM AIMING

The correct direction of the headlights is essential for the comfort and safety of the driver and other road users. The headlights must be correctly directed to ensure the best visibility. Contact an Abarth Dealership to have the fog lights properly adjusted.

HEADLIGHT ALIGNMENT CORRECTOR

This device works with the ignition key in the MAR position and the dipped headlights on. The car will tilt backwards when it is loaded, raising the light beam. The beams must therefore be realigned in this case.

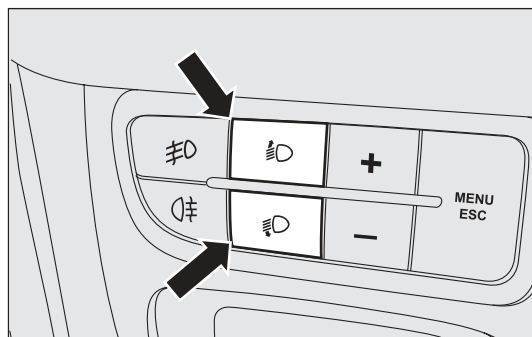



fig. 88

F0U091Ab

Adjusting headlight alignment fig. 88

To adjust, press buttons  and  on the control panel.

The display located on the instrument panel provides a visual indication of the adjustment position.

Position 0 – one or two people in the front seats.

Position 1 – five people.

Position 2 – five people + load in the boot.

Position 3 – driver + maximum permitted load stowed in the boot.

IMPORTANT Check the beam alignment every time the load transported changes.

FRONT FOG LIGHTS ALIGNMENT

(for versions/markets where provided)

Contact an Abarth Dealership to have the fog lights properly adjusted.

HEADLIGHT BEAM ADJUSTMENT ABROAD fig. 89-90

The dipped headlights are adjusted to work in the country where the vehicle was originally purchased. In countries where vehicles are driven on the other side of the road, the beams are aligned by applying a specially designed adhesive film in order not to dazzle the vehicles travelling in the opposite direction.

This film is provided by Lineaccessori Abarth and is available at Abarth Dealerships.

The illustrations refer to the switch from driving on the left to driving on the right.

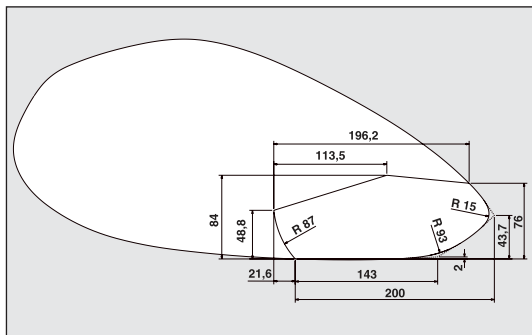


fig. 89

FOU092Ab

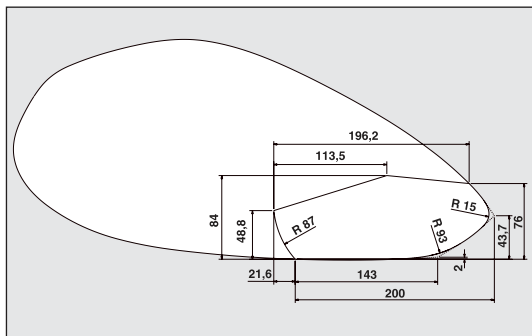


fig. 90

FOU093Ab

ABS SYSTEM

If you have never driven a vehicle with ABS before, it is advisable to perform a few tests on slippery surface, always in safe conditions and fully complying with the Highway Code of the country where you are driving. Read the following information carefully. This system, which is an integral part of the braking system, prevents one or more wheels from locking and slipping in all road surface conditions, irrespective of the intensity of the braking action, ensuring that the vehicle can be controlled even during emergency braking.

The system is completed by EBD (Electronic Braking Force Distribution), which distributes the braking action between the front and rear wheels.

IMPORTANT For the maximum efficiency of the braking system, a bedding-in period of about 500 km is needed (for a new vehicle or after having replaced the brake pads/discs): during this period it is advisable to avoid sharp, repeated and prolonged braking.

KNOWING YOUR VEHICLE

SAFETY

STARTING AND DRIVING

WARNING LIGHTS AND MESSAGES

IN AN EMERGENCY

MAINTENANCE AND CARE

TECHNICAL SPECIFICATIONS

CONTENTS

**WARNING**

The ABS system gets the most out of the available grip but it cannot improve it.

Therefore, you should take great care when driving on slippery surfaces: don't take unnecessary risks.


SYSTEM INTERVENTION

The driver can tell the ABS system has come into action because the brake pedal pulsates slightly and the system gets noisier: it means that the vehicle speed should be altered to suit the type of road surface.

**WARNING**



If the ABS intervenes, it is a sign that the grip between tyre and the road surface has reached the limit: you must slow down to adapt the speed to the road grip available.

FAILURE WARNING**ABS failure**

ABS failure is indicated by the turning on of warning light  on the instrument panel together with the dedicated message on the reconfigurable multifunction display (see section “Warning lights and messages”).

In this case, the braking system will still be effective, although without the extra capacity offered by the ABS system. Drive carefully to the nearest Abarth Dealership to have the system checked.

EBD failure

EBD failure is indicated by the turning on of warning lights  and  on the instrument panel together with the dedicated message on the reconfigurable multifunction display (see section “Warning lights and messages”).

In this case, the rear wheels may suddenly lock and the vehicle may swerve when braking sharply. Drive carefully to the nearest Abarth Dealership to have the system checked.



WARNING

If only warning light (ⓘ) on the instrument panel comes on, with a message in the reconfigurable multifunction display, stop the car immediately and contact the nearest Abarth Dealership. Leakage of hydraulic fluid from the braking system will compromise the operation of the braking system, whether it is of the conventional type or with ABS.

BRAKE ASSIST (integrated ESP emergency braking assistance)

This system (which cannot be deactivated) recognises emergency braking conditions according to the speed of operation of the brake pedal and provides an additional hydraulic braking pressure to support that provided by the driver. This allows faster and more powerful operation of the braking system.

Brake Assist is deactivated on the versions equipped with ESP, in the event of ESP system failure (indicated by warning light (Ⓐ) coming on together with the message on the reconfigurable multifunction display.



WARNING

When the ABS intervenes and you notice the brake pedal pulsating, do not be afraid to keep the pedal pushed down. This will help you to stop in the shortest distance possible, depending on the road conditions.

KNOWING YOUR VEHICLE

SAFETY

STARTING AND DRIVING

WARNING LIGHTS AND MESSAGES

IN AN EMERGENCY

MAINTENANCE AND CARE

TECHNICAL SPECIFICATIONS

CONTENTS


ESP SYSTEM (Electronic Stability Program)

This is an electronic system controlling car stability in the event of tyre grip loss, helping to maintain directional control.

The ESP system is therefore particularly useful when grip conditions of road surfaces change.

The MSR system (adjustment of the engine braking torque during gear changes), the HBA system (automatic increase in the braking pressure during emergency braking) and the TTC system (with self-locking differential effect) are present with ESP, ASR and Hill Holder systems.


SYSTEM INTERVENTION

This is signalled by the blinking of the warning light  on the instrument panel, to inform the driver that the car is in critical stability and grip conditions.

SYSTEM ACTIVATION

The ESP system comes on automatically when the vehicle is started and cannot be turned off.

FAILURE INDICATIONS

In the event of a failure, the ESP system will be automatically switched off and warning light  will appear on the instrument panel along with a message on the reconfigurable multifunction display (see “Warning lights and messages”). Contact an Abarth Dealership as soon as possible.



WARNING

Do not take unnecessary risks, even if your vehicle is fitted with an ESP system. Your driving style must always be suited to the road conditions, visibility and traffic. The driver is ultimately responsible for road safety.

HILL HOLDER SYSTEM

This system is an integral part of the ESP system and it is provided to facilitate starting on slopes.

It is automatically activated in the following conditions:

- uphill: vehicle stationary on a road with a gradient higher than 5%, engine running, brake pedal depressed and gearbox in neutral or gear other than reverse;
- downhill: vehicle stationary on a road with a gradient higher than 5%, engine running, brake pedal pressed and reverse gear engaged.

When setting off, the ESP system control unit maintains the braking pressure at the wheels until the engine torque required for departure is reached, or for a maximum of 1 second, allowing your right foot to be moved easily from the brake pedal to the accelerator.

If the vehicle has not departed after this time, the system will deactivate automatically, gradually releasing the brake force.

At release, the typical brake disengagement noise indicating that the car is going to move will be heard.

Failure indications

A system fault is indicated by the switching on of the warning light (⚠) and by the dedicated message on the reconfigurable multifunction display (see section “Warning lights and messages”).

IMPORTANT The Hill Holder system is not a parking brake; therefore, never leave the car without having engaged the handbrake, turned the engine off and engaged first gear.



WARNING

For the correct operation of the ESP and ASR systems, the tyres must be the same make and type on all wheels, in perfect condition and, above all, of the type, make and size specified.

KNOWING YOUR VEHICLE

SAFETY

STARTING AND DRIVING

WARNING LIGHTS AND MESSAGES

IN AN EMERGENCY

MAINTENANCE AND CARE

TECHNICAL SPECIFICATIONS

CONTENTS

ASR SYSTEM (Antislip Regulator)

This function controls car drive and intervenes automatically every time one or both driving wheels slip.

Depending on the slipping conditions, two different control systems are activated:

- if both drive wheels are slipping, the ASR function intervenes by reducing the power transmitted by the engine;
- if the slipping only involves only one drive wheel, the ASR system intervenes automatically braking the wheel that is slipping.

The action of the ASR system is particularly helpful in the following circumstances:


- slipping of the inner wheel when cornering due to the effect of dynamic load changes or excessive acceleration;
- too much power transmitted to the wheels in relation to the conditions of the road surface;
- acceleration on slippery, snowy or icy surfaces;
- loss of grip on a wet surface (aquaplaning).



WARNING

For the correct operation of the ESP and ASR systems, the tyres must be the same make and type on all wheels, in perfect condition and, above all, of the type, make and size specified.

Failure indications

In the event of a failure, the ASR will be automatically switched off and the warning light  will appear on the instrument panel along with a message on the reconfigurable multifunction display (see “Warning lights and messages”). In this case, contact an Abarth Dealership as soon as possible.

MSR system (engine drive regulation)

This is an integral part of the ASR system that, in the event of sudden gear shifting on hills, cuts in to provide torque to the engine, thus preventing excessive driving wheel drag that, especially in poor grip conditions, can lead to loss of stability.

TTC system (self-locking differential effect)

The TTC system uses the braking system to produce a behaviour similar to a limited slip differential.

The front braking system, during acceleration while cornering, acts on the inner wheel, increasing the drive of the outer wheel (with more load) and distributing the torque between the front drive wheels dynamically and continuously according to the driving conditions and the road surface.

In this way, the system allows particularly effective and sporty driving to be achieved.

The TTC system intervenes activating the Sport driving mode of the “Manettino Abarth” system (see the “Manettino Abarth car dynamic control system (DSS – Driving Sport Switch)” paragraph in this section).

When the TTC system is active, the ASR system calibration is changed and made less intrusive.

When travelling on snowy roads with snow chains, it may be helpful to have the ASR system less intrusive (activating the Sport driving mode): in these conditions, the slipping of the drive wheels when setting off makes it possible to have better traction.



WARNING

Do not take unnecessary risks, even if your vehicle is fitted with this system. Your driving style must always be suited to the road conditions, visibility and traffic. The driver is always responsible for road safety.

KNOWING YOUR VEHICLE

SAFETY

STARTING AND DRIVING

WARNING LIGHTS AND MESSAGES

IN AN EMERGENCY

MAINTENANCE AND CARE


TECHNICAL SPECIFICATIONS

CONTENTS

EOBD SYSTEM

The EOBD system (European On Board Diagnosis) carries out a continuous diagnosis of the components of the car related to emissions.

SAFETY

It also alerts the driver, by turning on the warning light  on the instrument panel (together with relevant message on the reconfigurable multifunction display) (see section “Warning lights and messages”), when these components are no longer in peak conditions.

STARTING AND DRIVING

The goal of the system is to:

- keep the system efficiency under control;
- warn when a failure causes emissions levels to increase;
- warn of the need to replace deteriorated components.

WARNING LIGHTS AND MESSAGES

IN AN EMERGENCY

The system also has a connector that can be interfaced with appropriate equipment, which makes it possible to read the error codes stored in the control unit together with a series of specific parameters for engine operation and diagnosis. This check can also be carried out by traffic control authorities.



MAINTENANCE AND CARE

TECHNICAL SPECIFICATIONS

CONTENTS

IMPORTANT After eliminating the failure, to check the system completely, Abarth Dealerships run a bench test and, if necessary, road tests which may require a long journey.



Contact an Abarth Dealership as soon as possible if warning light  either does not light up when the key is turned to MAR or if while travelling it comes on either steady or blinking (along with a message on the multifunctional display, where provided). The operation of the  warning light may be checked by the traffic control authorities using specific devices. Always comply with the traffic regulations in force in the country where you are driving.

TYRE PRESSURE MONITORING SYSTEM (TPMS)

(for versions/markets where provided)

The car may be equipped with a tyre pressure monitoring system (T.P.M.S.). This system comprises a radio frequency transmitter fitted to each wheel (on the rim inside the tyre), which is able to send information on the pressure of each tyre to the control unit.



WARNING

Take the greatest of care when checking or restoring the tyre pressures. If the pressure is too high, road hold is compromised, there is more demand on the suspension and wheels, and the tyres wear abnormally.



WARNING

Tyre pressure should be checked when the tyres are cold; if, for whatever reason, you check the pressure when the tyres are hot, do not reduce the pressure even if it is higher than the recommended value, but check again when the tyres are cold.



WARNING

The presence of the TPMS does not exonerate the driver from regularly checking the pressure of the tyres and the spare wheel (see “Wheels” in the “Maintenance and care” section).

IMPORTANT NOTES ABOUT THE TPMS SYSTEM

The fault indications are not stored and will therefore not be displayed after the engine has been switched off and then on again. If the fault conditions persist, the control unit will send the relative indications to the instrument panel only after the vehicle has been in motion for a short time.



WARNING

The TPMS is not able to warn you of sudden tyre pressure losses (for example when a tyre bursts). In this case, stop the car, braking with care and avoiding sharp steering actions.

KNOWING YOUR VEHICLE

SAFETY

STARTING AND DRIVING

WARNING LIGHTS AND MESSAGES

IN AN EMERGENCY

MAINTENANCE AND CARE

TECHNICAL SPECIFICATIONS

CONTENTS



WARNING

Replacing the normal tyres with winter tyres and vice versa requires an inspection of the TPMS, which should be carried out only by an Abarth Dealership.



WARNING

If the vehicle is fitted with TPMS, when a tyre is removed, it is advisable to replace the rubber gasket for the valve. Contact an Abarth Dealership.



WARNING

The TPMS requires the use of specific equipment. Contact an Abarth Dealership to find out which accessories are compatible with the system (wheels, hub caps etc.). The use of other accessories may affect the normal operation of the system.



WARNING

If the vehicle is fitted with TPMS, tyre and wheel fitting/removal operations require specific precautions. To prevent damage or incorrect sensor refitting, contact an Abarth Dealership to have tyre and/or rim changed.



WARNING

Tyre inflation pressure may vary according to outdoor temperature. The TPMS system may temporarily indicate insufficient pressure. In this case, check the tyre pressures with the tyres cold and, if necessary, pump them up.



WARNING

Strong radio-frequency interference could inhibit the correct operation of the TPMS system. This condition will be indicated by a message on the reconfigurable multifunction display. The message will disappear automatically as soon as the interference ceases to disturb the system.

In order to use the system properly, refer to the following table when you have to change wheels/tyres:

Operation	Sensor	Failure warning	Abarth Dealership Service Intervention
–	–	YES	Contact an Abarth Dealership
Replacing a wheel with the spare wheel	NO	YES	Repair the damaged wheel
Replacing wheels with snow tyres	NO	YES	Contact an Abarth Dealership
Replacing wheels with snow tyres	YES	NO	–
Replacing wheels with others of a different size (*)	YES	NO	–
Switching wheels (front/rear) (**)	YES	NO	–

(*) Given as an alternative in the Owner's Handbook and available at Lineaccessori Abarth.

(**) Not cross-swapped (tyres must stay on the same side).

“MANETTINO ABARTH” CAR DYNAMIC CONTROL SYSTEM (DSS - Driving Sport Switch)

This device allows, using switch A-fig. 91, two response modes to be selected according to driving style and road conditions.

S = Sport (mode for sports driving)

N = Normal (mode for driving in normal conditions)

After being operated, the lever A always returns to the central position.

The device also acts on the car dynamic control systems (instrument panel, steering, engine, TTC and ASR systems).

DRIVING MODES

The activation of “Sport” driving mode is indicated by the switching on of the “S” symbol on the lower right area of the reconfigurable multifunction display, as shown in fig. 92-93.

When “Normal” mode is selected, no messages or symbols are shown on the display, fig. 94-95.

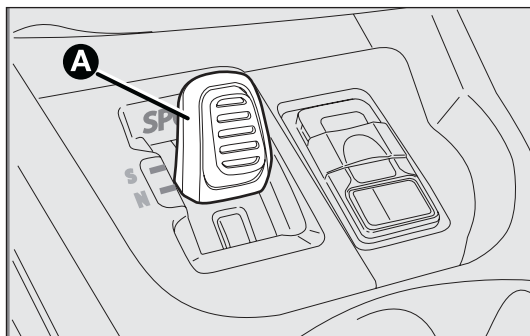


fig. 91

FOU189Ab

Sport Mode

- Standard screen: fig. 92.
- Screen with turbocharger pressure: fig. 93.

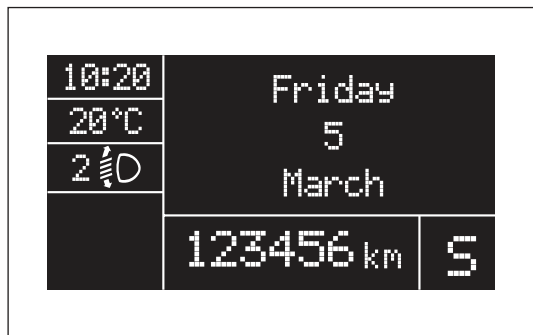


fig. 92

FOU199Abg

Normal Mode

- Standard screen: fig. 94.
- Screen with turbocharger pressure: fig. 95.

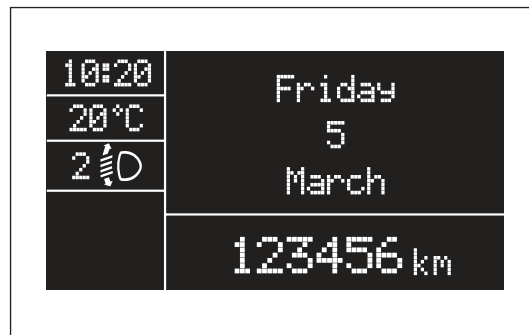


fig. 94

FOU200Abg

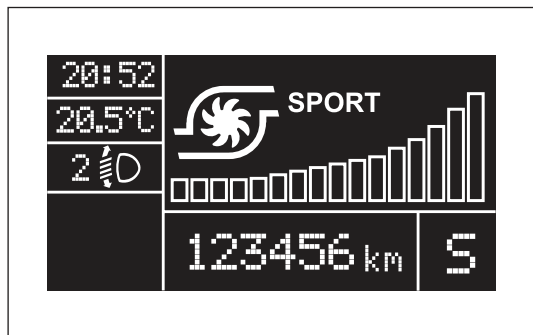


fig. 93

FOU201Ab

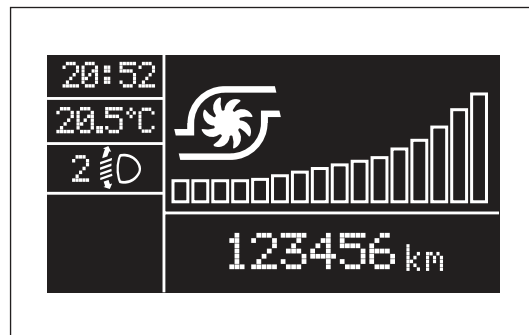


fig. 95

FOU196Ab

KNOWING YOUR VEHICLE

SAFETY

STARTING AND DRIVING

WARNING LIGHTS AND MESSAGES

IN AN EMERGENCY

MAINTENANCE AND CARE

TECHNICAL SPECIFICATIONS

CONTENTS

Logic for car dynamic control system management with “Normal” mode

When the “Normal” driving mode is activated, the car dynamic control systems intervene with the following logic:

- ASR system: calibration for normal driving conditions.
- TTC system: disabled.
- Steering: calibration for comfort in normal driving conditions.
- Engine: standard adjustment for normal driving conditions.

TURNING “Sport” MODE ON/OFF

Engagement

To turn the “Sport” driving mode on, move the lever A-fig. 91 forward to letter “S”. Keep the lever in this position for at least half a second and in any case until the symbol “S” or the word “SPORT” appears on the reconfigurable multifunction display (see fig. 92-93).

After release, the lever A will return to the central position.

Logic for car dynamic control system management with “Sport” mode

When the “Sport” driving mode is activated, the car dynamic control systems intervene with the following logic:

- ASR system: less intrusive calibration with intervention thresholds that allow freer and sportier drive.
- TTC system: enabled for particularly effective and sporty driving of the car.
- Steering: calibration for sports driving.
- Engine: sports adjustment with quicker response of the accelerator pedal.

Disengagement

To turn the “Sport” driving mode off and return to “Normal” mode, move the lever A-fig. 91 backwards to letter “N”. Keep the lever in this position for at least half a second and in any case until the symbol “S” or the word “SPORT” disappears from the reconfigurable multifunction display (see fig. 94-95).

After release, lever A returns to the central position.

START&STOP SYSTEM

(for versions/markets where provided)

The Start&Stop device automatically stops the engine each time the vehicle is stationary and starts it again when the driver wants to move off.

In this way, the vehicle efficiency is increased, by reducing consumption, dangerous gas emissions and noise pollution. The system operates every time the car is started.

– if climate comfort is to be favoured, the Start&Stop system can be disabled, for a continuous operation of the climate control system.

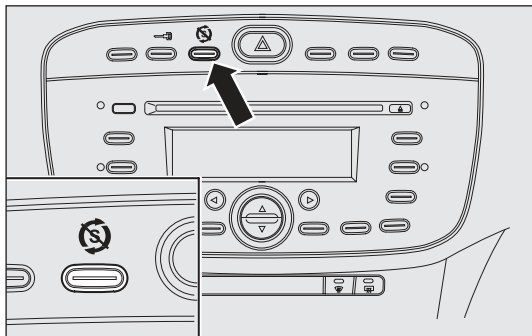


fig. 96

F0U097Ab

OPERATING MODES

Engine stopping mode

With the vehicle stationary, the engine stops with the gearbox in neutral and the clutch pedal released.

Engine restarting mode

Press the clutch pedal to allow the engine to be restarted.

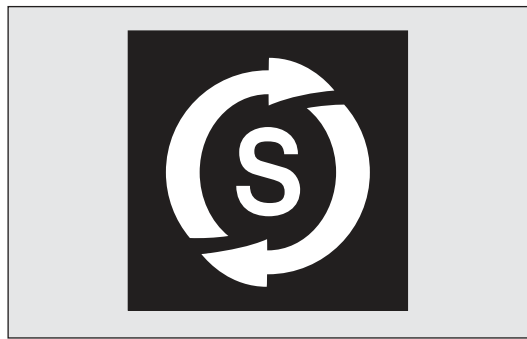


fig. 97

F0U095Ab

KNOWING YOUR VEHICLE

SAFETY

STARTING AND DRIVING

WARNING LIGHTS AND MESSAGES

IN AN EMERGENCY

MAINTENANCE AND CARE

TECHNICAL SPECIFICATIONS

CONTENTS

MANUAL ACTIVATION AND DEACTIVATION

You can activate/deactivate the Start&Stop device by pressing the button on the dashboard fig. 96.

When the device is active, the relevant warning light on the instrument panel switches on fig. 97.

When the system is deactivated, the warning light on the instrument panel switches on fig. 98.

The relevant device deactivation/activation messages appear on the reconfigurable multifunction display.

NO ENGINE CUT-OUT CONDITIONS

With the device activated, for reasons of comfort, limiting emissions and safety, the engine does not stop in certain conditions, including:

- engine still cold;
- particularly cold outside temperatures, where the appropriate indication is provided;
- battery not sufficiently charged;
- heated rear window activated;
- windscreen wipers working at maximum speed;
- driver's door not shut;
- driver's seat belt not fastened;
- reverse gear engaged (for example, during parking manoeuvres);
- automatic climate control is on and a comfortable temperature has not yet been reached or MAX – DEF function enabled;
- during the first period of use, to initialise the system.

In the above cases, a message appears in the display and the warning light fig. 98 flashes in the instrument panel.



fig. 98

F0U096Ab

RESTARTING CONDITIONS

For reasons of comfort, limiting pollutant emissions and safety purposes, the power unit can restart automatically without any action on behalf of the driver if certain conditions are met, including:

- battery not sufficiently charged;
- windscreen wipers working at maximum speed;
- reduced braking system pressure, e.g. following the brake pedal being pressed repeatedly;
- car in motion, for example when driving on steep roads;
- stopping the engine through the Start&Stop system for more than about three minutes;
- automatic climate control system for establishing a comfortable temperature or enabling the MAX – DEF function.

With a gear engaged, the engine can be automatically restarted only by fully depressing the clutch pedal. The driver is asked to perform this operation through a message on the instrument panel and, where provided, by the warning light fig. 97 on the instrument panel flashing.

Note If the clutch is not depressed when three minutes have elapsed since the engine was stopped, the engine can only be restarted using the key.

Note In cases when the engine stops and this is not desired, due for example to the clutch pedal being released sharply with a gear engaged, if the Start&Stop system is activated, the engine can be restarted by fully depressing the clutch pedal or by putting the gear lever into neutral.

SAFETY FUNCTIONS

In engine cut-out conditions through the Start&Stop system, if the driver unfastens his/her seat belt and opens the driver's door or the passenger door, the engine can be restarted only by using the key.

The driver is notified of this condition both by a buzzer and through an information message in the display and by the warning light fig. 98 on the instrument panel flashing.

ENERGY SAVING FUNCTION

(for versions/markets where provided)

If, after the engine has been automatically restarted, the driver does not take any action for a period of about three minutes, the Start&Stop system will definitively stop the engine to avoid fuel consumption. In these cases, the engine can be restarted only by using the key.

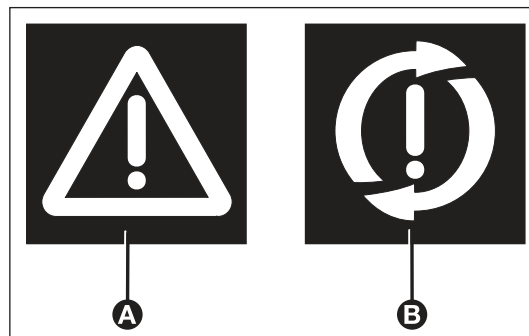


fig. 99

FOU098Ab

Note In any case, it is possible to keep the engine running by deactivating the Start&Stop system.

IRREGULAR OPERATION

In the case of malfunction the Start&Stop system is disabled. The driver is informed of the problem by the general failure warning light

A-fig. 99, where provided, coming on with an information message and the system failure symbol B-fig. 5 in the control panel. In this case, contact an Abarth Dealership.

CAR INACTIVITY fig. 100

In the case of car inactivity, special attention must be paid due to the disconnection of the battery power supply. Proceed as follows: detach the connector A (by pressing button B) from sensor C for monitoring the status of the battery installed on the negative battery pole D. This sensor should never be disconnected from the pole except if the battery is replaced.

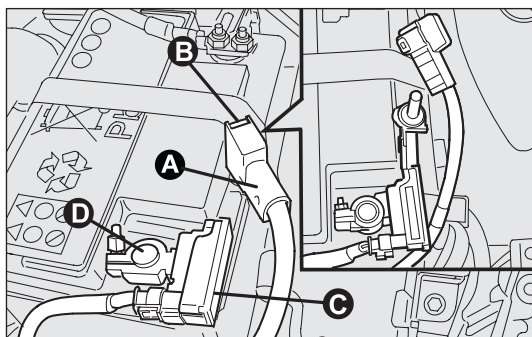


fig. 100

FOU185Ab



WARNING

When replacing the battery, always contact an Abarth Dealership. Replace the battery using a new one of the same type (HEAVY DUTY) and having the same specifications.

EMERGENCY STARTING fig. 101

When jump starting, never connect the negative lead (-) of the auxiliary battery to the negative pole A of the car battery, but rather to an engine/gearbox earth point.

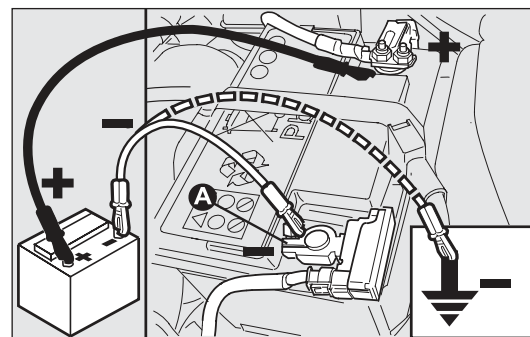


fig. 101

FOU186Ab

IMPORTANT NOTES



WARNING

Before opening the bonnet, make sure that the car is switched off and the key is in the OFF position. Follow the instructions on the plate near the front crossmember fig. 102. It is advisable to extract the key when there are other people in the car. The car should always be left after the key has been removed or turned to the OFF position. When refuelling, make sure that the car is switched off with the key in the OFF position.

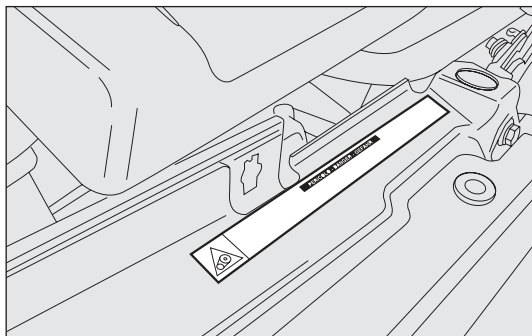


fig. 102

F0U099Ab

“e-GSI” SYSTEM (GEAR SHIFT INDICATOR)

(for versions/markets where provided)

The “e-GSI” system (Gear Shift Indicator) advises the driver to change gear via a signal on the instrument panel (see fig. 103).

Through the “e-GSI” system, the driver is informed that the gear change will allow a reduction in fuel consumption. Therefore, for driving oriented towards cutting fuel consumption, it is advisable to follow the suggestions of the “e-GSI” system, where the traffic conditions allow it.

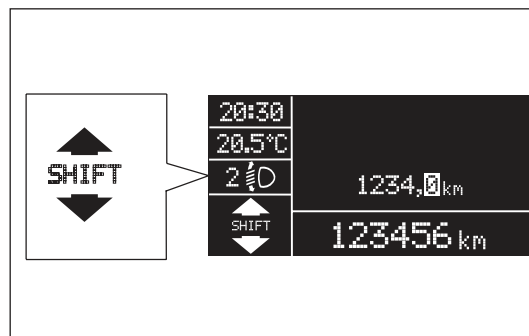


fig. 103

F0U100Ab

KNOWING YOUR VEHICLE

SAFETY

STARTING
AND DRIVING

WARNING LIGHTS
AND MESSAGES

IN AN
EMERGENCY

MAINTENANCE
AND CARE

TECHNICAL
SPECIFICATIONS

CONTENTS

When the SHIFT UP icon (▲ SHIFT) is shown on the display, the “e-GSI” system is advising the driver to select a higher gear, while the SHIFT DOWN (▼ SHIFT) icon suggests that a lower gear should be engaged.

Note The “e-GSI” system intervenes only when the “Normal” driving mode is activated (see the “Manettino Abarth car dynamic control system (DSS – Driving Sport Switch)” paragraph in this section).

CD CHANGER CAPABILITY

(for versions/markets where provided)

The system consists of:

- power cables;
- connection cables.



WARNING

For connection to the preset cables, contact an Abarth Dealership to prevent any problem that could impair car safety.

SATELLITE NAVIGATION SYSTEM CAPABILITY

(for versions/markets where available)

On cars equipped with the Blue&Me™ system, there may be (on request) a setup for installing the Blue&Me™ TomTom® satellite navigation system, which is available from Lineaccessori Abarth.

Install the navigation system by inserting the specific support bracket into the housing shown in fig. 104.

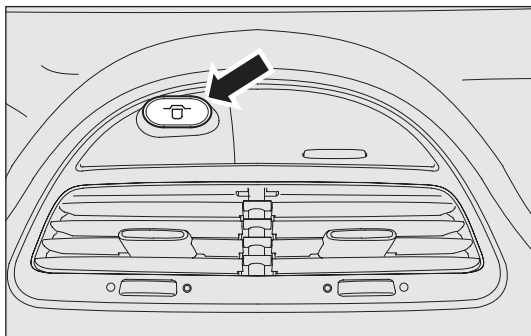


fig. 104

FOU104Ab

ACCESSORIES PURCHASED BY THE OWNER

If after buying the car, you decide to install electrical accessories that require a permanent electrical supply (sound system, satellite antitheft system, etc.) or accessories that in any case burden the electric supply, contact an Abarth Dealership, whose qualified personnel, besides suggesting the most suitable devices belonging to Lineaccessori Abarth, will also evaluate the overall electric absorption, checking whether the car's electric system is able to withstand the load required, or whether it needs to be integrated with a more powerful battery.



WARNING

Take care when fitting additional spoilers, alloy wheels or non-standard wheel hubs: they could reduce the ventilation of the brakes and affect efficiency during sharp, repeated braking or on long descents. Make sure that nothing obstructs the pedal stroke (mats, etc.)

KNOWING
YOUR VEHICLE

SAFETY

STARTING
AND DRIVING

WARNING LIGHTS
AND MESSAGES

IN AN
EMERGENCY

MAINTENANCE
AND CARE

TECHNICAL
SPECIFICATIONS

CONTENTS

INSTALLATION OF ELECTRICAL/ ELECTRONIC DEVICES

Electrical and electronic devices installed after buying the car in the context of after-sales service must carry the following label:



Fiat Auto S.p.A. authorises the installation of transceivers provided that installation is carried out at a specialised centre, in a workmanlike fashion and in compliance with manufacturer's specifications.

IMPORTANT Traffic police may not allow the car on the road if devices have been installed which modify the features of the car. This may also cause invalidation of warranty in relation to faults caused by the change either directly or indirectly related to it.

Fiat Auto S.p.A. shall not be liable for damage caused by the installation of accessories either not supplied or recommended by Fiat Auto S.p.A. and/or not installed in compliance with the instructions provided.

TRANSCIVERS AND MOBILE PHONES

Radio transmitter equipment (vehicle mobile phones, CB radios, amateur radio etc.) cannot be used inside the car unless a separate aerial is mounted on the roof.

IMPORTANT The use of these devices inside the passenger compartment (without a separate aerial) may cause the vehicle electrical systems to malfunction. This could compromise safety in addition to constituting a potential hazard for passengers' health.

In addition, transmission and reception of these devices may be affected by the shielding effect of the car body. As far as the use of EC-approved mobile phones is concerned (GSM, GPRS, UMTS), follow the usage instructions provided by the mobile phone manufacturer.

REFUELLING THE CAR

Use only unleaded petrol.

To avoid mistakes, the diameter of the fuel filler is too small to introduce the nozzle of a leaded petrol pumps. The petrol octane rating (RON) must not be lower than 95.

IMPORTANT An inefficient catalytic converter leads to harmful exhaust emissions, thus contributing to air pollution.

IMPORTANT Never use leaded petrol, even in small amounts or in an emergency, as this would damage the catalytic converter beyond repair.

FUEL FILLER CAP fig. 105

To carry out refuelling, open flap A and unscrew cap B. The cap is fitted with a device C which fastens it to the lid so it cannot be mislaid.

In some versions, cap B has a lock and key: open flap A, insert the ignition key then turn it anticlockwise and unscrew the cap itself.

The sealing may cause a slight pressure increase in the tank. A suction noise when you release the cap is therefore entirely normal.

When refuelling, fasten the cap to the device inside the flap as shown in the figure.

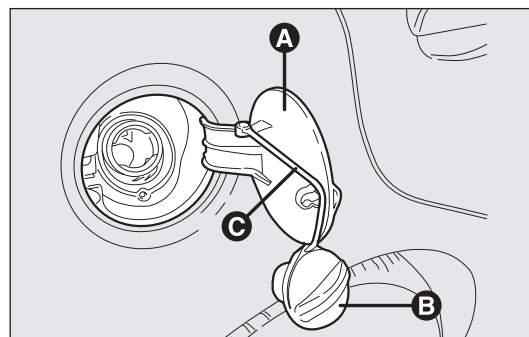


fig. 105

F0U105Ab

KNOWING YOUR VEHICLE

SAFETY

STARTING AND DRIVING

WARNING LIGHTS AND MESSAGES

IN AN EMERGENCY

MAINTENANCE AND CARE

TECHNICAL SPECIFICATIONS

CONTENTS



WARNING

Do not bring naked flames or lit cigarettes near to the fuel tank opening: fire risk. Keep away from the fuel filler to avoid breathing in harmful vapours.

Filling the tank

To fill the tank completely, top-up twice after the first click of the fuel delivery gun. Further top-ups could cause faults in the fuel supply system.

PROTECTING THE ENVIRONMENT

The following devices are used for reducing petrol fuel engine emissions:

- three-way catalytic converter;
- oxygen sensors;
- evaporation control system.

In addition, do not let the engine run, even for a test, with one or more spark plugs disconnected.



WARNING

The catalytic converter develops high temperature during operation. Do not park the car on grass, dry leaves, pine needles or other flammable material: fire hazard.

SAFETY

SAFETY BELTS

USING THE SEAT BELTS

fig. 106

The belt should be worn keeping the chest straight and rested against the seat back.

To fasten the seat belts, hold the tongue A and insert it into the buckle B, until the locking click is heard.

On removal, if it jams, let it rewind for a short stretch, then pull it out again without jerking.

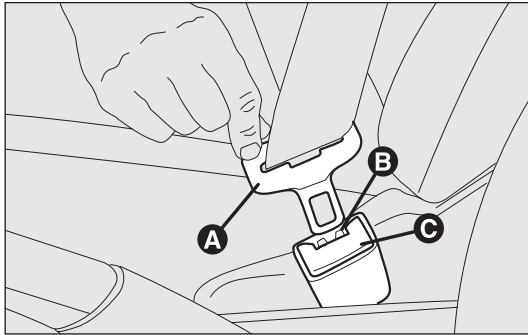


fig. 106

FOU106Ab

To unfasten the seat belts, press button C. Guide the seat belt with your hand while it is rewinding, to prevent it from twisting.

Through the reel, the belt automatically adapts to the body of the passenger wearing it, allowing freedom of movement.

The reel may lock when the car is parked on a steep slope: this is perfectly normal. Furthermore, the reel mechanism locks the belt if it is pulled and in the event of sudden braking, collisions and on high speed bends.

The rear seat is fitted with inertia seat belts with three anchor points and a reel.

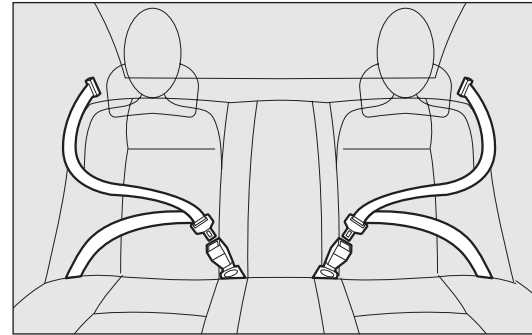


fig. 107

FOU107Ab

KNOWING
YOUR VEHICLE

SAFETY

STARTING
AND DRIVING

WARNING LIGHTS
AND MESSAGES

IN AN
EMERGENCY

MAINTENANCE
AND CARE

TECHNICAL
SPECIFICATIONS

CONTENTS

**WARNING**

Never press button C-fig. 106 when travelling.

The rear seat belts must be used as shown in the diagram in fig. 107.

IMPORTANT When the red band next to the backrest folding levers fig. 108 disappears, it means the backrest is properly secured.

If you can still see the red band, the backrest is not securely fastened. When returning the backrest to its normal position, make sure that it is correctly fastened and you hear the lock click.

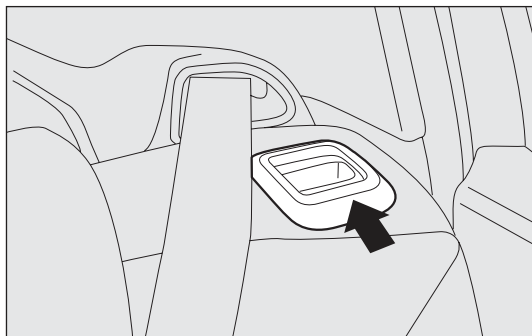


fig. 108

FOU108Ab

IMPORTANT After putting the seats back to their travelling position, restore the seat belt position to make them ready for use.


**WARNING**

Remember that, in the event of a violent collision, back seat passengers not wearing seat belts represent a serious danger not only to themselves but also to the front seat passengers.

**WARNING**

Ensure that the backrest is properly secured on both sides so that it does not fly forwards in the event of sharp braking and injure passengers.

S.B.R. SYSTEM

The car is fitted with the S.B.R. system (Seat Belt Reminder), consisting of a buzzer which, together with the turning on of warning light  on the instrument panel, warns the driver and the front passenger (for versions/markets, where provided) to fasten their seat belts.

For permanent deactivation, contact an Abarth Dealership.

With reconfigurable multifunction display, the S.B.R. system can be reactivated through the set-up menu.

PRETENSIONERS

To increase the efficiency of the seat belts, the car is fitted with front pretensioners. These devices, in the event of a violent crash, rewind the seat belts by a few centimetres. In this way, they ensure that the seat belt adheres perfectly to the wearer before the restraining action begins.

The seat belt locks to indicate that the device has intervened; the seat belt cannot be drawn back up even when guiding it manually.

This car is equipped with a second pretensioner (in the kick plate area). Its activation is signalled by the shortening of the metal cable.

IMPORTANT To obtain the highest degree of protection from the action of the pretensioning device, wear the seat belt keeping it tight to the chest and pelvis.

A slight amount of smoke may be detected during operation of the pretensioners. This smoke is not harmful and does not indicate a fire.

The pretensioner does not require any maintenance or lubrication.

Anything that modifies its original conditions invalidates its efficiency.

If, due to unusual natural events (floods, sea storms, etc.), the device has been affected by water and mud, it must be replaced.

KNOWING
YOUR VEHICLE

SAFETY

STARTING
AND DRIVING

WARNING LIGHTS
AND MESSAGES

IN AN
EMERGENCY

MAINTENANCE
AND CARE

TECHNICAL
SPECIFICATIONS

CONTENTS

**WARNING**

The pretensioner can only be used once. Contact an Abarth Dealership to have it replaced after it has been deployed. Consult the label in the glove box to check the status of the pretensioners. Contact an Abarth Dealership to have the device replaced when the expiration date approaches.



Operations which lead to knocks, vibrations or localised heating (over 100°C for a maximum of 6 hours) in the area around the pretensioners may cause damage or trigger them. These devices are not affected by vibrations caused by irregularities of the road surface or low obstacles such as kerbs, etc. Contact an Abarth Dealership for any assistance.

LOAD LIMITERS

To increase passenger safety, the front seat belt reels contain a load limiter which allows controlled sag in such a way as to dose the force acting on the chest and shoulders during the belt restraining action in the event of frontal impact.

GENERAL INSTRUCTIONS FOR USING THE SEAT BELTS

The driver must comply with (and have all car passengers follow) any local regulations in force concerning the use of seat belts. Always fasten the seat belts before starting.

Seat belts are also to be worn by expectant mothers: the risk of injury in the case of accident is greatly reduced for them and the unborn child if they are wearing a seat belt.

Of course, expectant mothers must position the lower part of the belt very low down so that it passes over the pelvis and under the abdomen fig. 109.

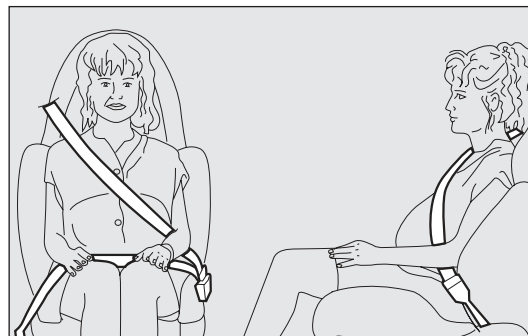


fig. 109

FOU109Ab



WARNING

The belt must not be twisted. The upper part must pass over the shoulder and cross the chest diagonally. The lower part must adhere to the pelvis fig. 110 not to the abdomen. Do not use devices (clips, clamps, etc.) that prevent the belts from being tight against to the passengers' bodies.



WARNING

Maximum protection is obtained if the backrest is kept straight: the passenger's back must lean against the backrest and the seat belt must be tight on the chest and pelvis. Always fasten the seat belts on both the front and the rear seats. Travelling without seat belts fastened increases the risk of serious injuries or even death in the event of a crash.



WARNING

Under no circumstances should the seat belt and pretensioner components be removed or tampered with. Any operations must be carried out by qualified and authorised personnel only. Always contact an Abarth Dealership.

CONOSCENZA
SLOWING
YOUR VEHICLE
VEUTURA

SAFETY

STARTING
AND DRIVING

WARNING LIGHTS
AND MESSAGES

IN AN
EMERGENCY

MAINTENANCE
AND CARE

TECHNICAL
SPECIFICATIONS

CONTENTS

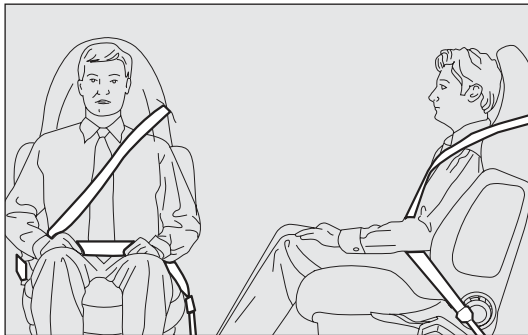


fig. 110

FOU110Ab

**WARNING**

If the belt has been subjected to a heavy stress, for example after an accident, it should be changed completely together with the anchors, anchor fastening screws and the pretensioner. In fact, even if the belt has no visible defects, it could have lost its resilience.

**WARNING**

Each seat belt must be worn by one person only; passengers should not have babies or children on their lap and use the belts to protect both of them fig 111. In general, do not use the seat belts to hold any object against the body.

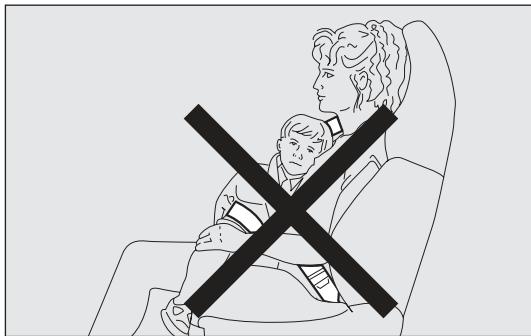


fig. 111

FOU111Ab

HOW TO MAINTAIN THE SEAT BELTS IN EFFICIENT CONDITIONS

For keeping the seat belts in efficient conditions, observe the following:

- always use the belts with the tape well stretched and never twisted; make sure that it is free to run without impediments;
- after a serious accident, replace the belt even if it does not appear damaged. Always replace the belt if the pretensioners were deployed;
- to clean the belts, wash by hand with water and mild soap, rinse and leave to dry in the shade. Never use strong detergents, bleach, paints or any other substance which could damage the belt fibres;
- prevent the reels from getting wet: their correct operation is only guaranteed if water does not get inside;
- replace the seat belt when there are significant signs of wear or cuts.

CARRYING CHILDREN SAFELY

For optimal protection in the event of a collision, all passengers must be seated and wearing adequate restraint systems. This is even more important for children. This prescription is compulsory in all EU countries pursuant to Directive 2003/20/EC. Compared with adults, a child's head is proportionally larger and heavier than the rest of the body, while muscles and bone structure are not fully developed. Therefore, correct restraint systems are necessary which are different from adult seat belts. The results of research in relation to the best protection for children is summarised in European Regulation CEE-R44, which divides the restraint systems into five groups in addition to making their use compulsory:

Group 0	up to 10 kg of weight
Group 0+	up to 13 kg of weight
Group 1	9-18 kg in weight
Group 2	15-25 kg in weight
Group 3	22-36 kg in weight

As you can see, the groups overlap partly and, in fact, there are devices on sale that cover more than one weight group.

All child restraint devices must bear the type-approval data, together with the control mark, on a label firmly fixed to the seat which must never be removed.

Over 1.50 m in height, from the point of view of restraint systems, children are considered as adults and wear the seat belts normally.

GROUP 0 and 0+

Babies up to 13 kg must be carried facing backwards on a cradle seat, which, supporting the head, does not induce stress on the neck in the event of sharp decelerations.

The cradle is held in place by the car seat belts fig. 112 and in turn it must restrain the child with its own belts.

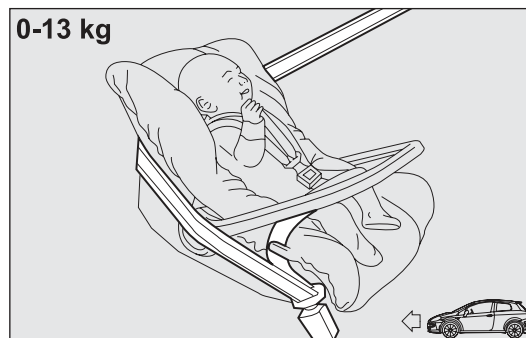


fig. 112

FOU112Ab

KNOWING
YOUR VEHICLE

SAFETY

STARTING
AND DRIVING

WARNING LIGHTS
AND MESSAGES

IN AN
EMERGENCY

MAINTENANCE
AND CARE

TECHNICAL
SPECIFICATIONS

CONTENTS

**WARNING**

Do not place a cradle seat facing backwards on the front seat if the passenger side airbag is on. Deployment of the airbag in an accident could cause fatal injuries to the baby regardless of the severity of the collision. It is advisable to always carry children in dedicated child seats on the rear seat, which is the most protected position in the event of an accident.

GROUP I


From 9 kg to 18 kg, children may be carried facing forwards fig. 113.



fig. 113

FOU113Ab

**WARNING**

WARNING Should it be absolutely necessary to carry a child on the front seat in a backwards-facing child seat, the passenger's front and side airbags should be deactivated through the setup menu. Deactivation can be verified by checking the  warning light on the instrument panel. Move the passenger's seat as far back as possible to avoid contact between the child seat and the dashboard.

**WARNING**

WARNING The figures are only examples for fitting purposes. Fit the child seat according to the instructions mandatorily supplied with the seat.

**WARNING**

WARNING There are seats with Isofix attachments which enable secure fastening to the seat without using the vehicle's seat belts.

GROUP 2

Starting from 15 kg to 25 kg in weight, children may be restrained directly using the car belts fig. 114.

The only function of the seat is to position the child correctly in relation to the belts, so that the diagonal part adheres to the chest and not to the neck and that the horizontal part clings to the child's pelvis and not the abdomen.



WARNING

The diagram is indicative and for assembly purposes only. Refer to the instructions supplied with the child restraint for the fastening.

15-25 kg

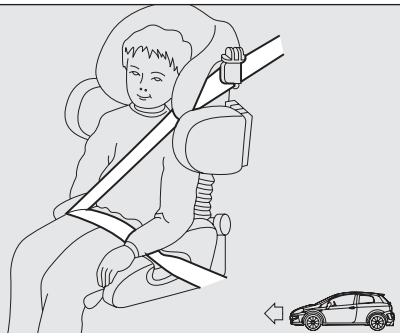


fig. 114

FOU114Ab

GROUP 3

For children from 22 kg up to 36 kg suitable risers make fastening the seat belt easier.

Fig. 115 shows correct child seat positioning on the rear seat.

Children taller than 1.50 m can wear seat belts like adults.



WARNING

The figure is indicative for fitting purposes only. Refer to the instructions supplied with the child restraint for the fastening.

22-36 kg

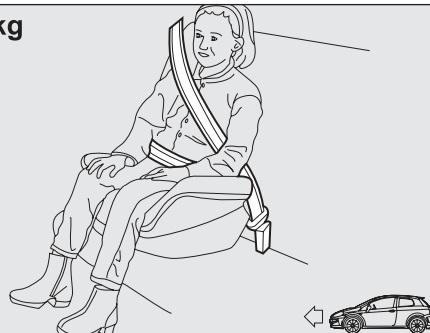


fig. 115

FOU115Ab

KNOWING
YOUR VEHICLE

SAFETY

STARTING
AND DRIVING

WARNING LIGHTS
AND MESSAGES

IN AN
EMERGENCY

MAINTENANCE
AND CARE

TECHNICAL
SPECIFICATIONS

CONTENTS

SUITABILITY OF PASSENGER SEATS FOR CHILD SEAT USE

The car complies with the new European Directive 2000/3/EC which governs the arrangement possibilities for child seats on the various seats of the car as shown in the following table:

Group	Weight range	Front passenger	Rear passenger
Group 0, 0+	up to 13 kg	U (▼)	U
Group 1	9-18 kg	U (▼)	U
Group 2	15-25 kg	U (▼)	U
Group 3	22 -36 kg	U (▼)	U

Key:

U = suitable for child restraint systems in the “Universal” category, according to European Standard ECE-R44 for the specified “Groups”.

(▼) on cars whose passenger seat is not adjustable in height, the backrest must be perfectly upright.

Below is a summary of the rules of safety to be followed for carrying children:

- 1) The recommended position for installing child seats is on the rear seat, as it is the most protected area in the event of a crash.
- 2) When disengaging the passenger airbag, always check that the amber warning light on the instrument panel is permanently on to make sure that the airbag has actually been deactivated.
- 3) Carefully follow the instructions supplied with the child restraint system which are mandatory by law. Keep the instructions in the car along with the other documents and this handbook. Do not use second-hand child seats without instructions.
- 4) Always check that the seat belt is well fastened by pulling on it.
- 5) Only one child is to be strapped into each retaining system; never carry two children using one child seat.
- 6) Always check that the seat belts do not restrain the child's throat.
- 7) While travelling, do not let the child sit incorrectly or release the belts.
- 8) Never carry children on your lap, even newborns. No-one, however strong, can hold a child in the case of an accident.
- 9) In the event of an accident, replace the child seat with a new one.



WARNING

Do not place a child seat facing backwards on the front seat if the passenger side airbag is enabled. Deployment of the airbag in an accident could cause fatal injuries to the baby regardless of the severity of the collision. It is advisable to carry children in an appropriate restraint system on the rear seat which is the most protected position in the event of an accident.

KNOWING
YOUR VEHICLE

SAFETY

STARTING
AND DRIVING

WARNING LIGHTS
AND MESSAGES

IN AN
EMERGENCY

MAINTENANCE
AND CARE

TECHNICAL
SPECIFICATIONS

CONTENTS

“UNIVERSAL ISOFIX” CHILD RESTRAINT ASSEMBLY SETUP

The car can be fitted with a Universal Isofix child restraint, a new European standardised system for carrying children safely.

An example of a child seat is shown in fig. 116.

The Universal Isofix child seat covers weight group 1.

Due to its different attachment system, the Universal Isofix child seat must be anchored to the special lower metal rings A-fig. 117, located between the backrest and rear cushion. The upper belt (provided with the child seat) must then be secured to ring B-fig. 118 located on the back of the backrest at child seat level.

It is possible to have a mixed assembly of traditional child seats and Universal Isofix seats.

Remember that in the case of Universal Isofix child's seat, you can use all seats approved with the marking ECE R44/03 “Universal Isofix”.

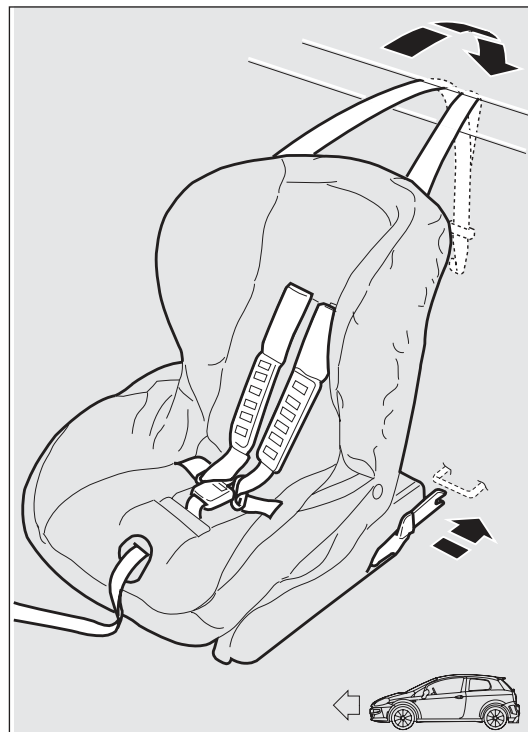


fig. 116

FOU116Ab

For any further installation/details on usage, refer to the “Instruction Manual” supplied with the child seat.



WARNING

Fit the child seat only when the car is stationary. The child seat is correctly anchored to the brackets when you hear the click. Follow the instructions for assembly, disassembly and positioning that the manufacturer must supply with the child seat.

KNOWING
YOUR VEHICLE

SAFETY

STARTING
AND DRIVING

WARNING LIGHTS
AND MESSAGES

IN AN
EMERGENCY

MAINTENANCE
AND CARE

TECHNICAL
SPECIFICATIONS

CONTENTS

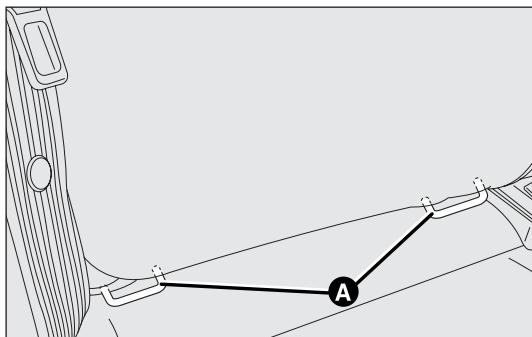


fig. 117

FOU117Ab

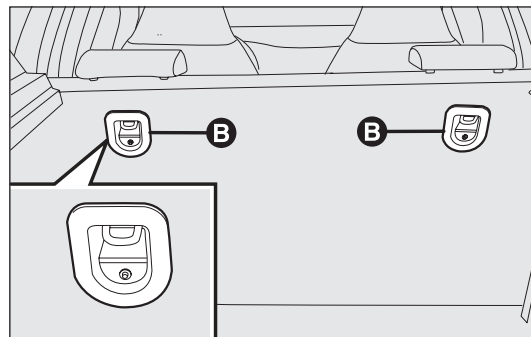


fig. 118

FOU118Ab

PASSENGER SEAT COMPLIANCE WITH REGULATIONS ON ISOFIX CHILD SEAT USE

The table below shows the different installation possibilities of Isofix restraint systems on seats fitted with Isofix fasteners in compliance with European standard ECE 16.

Weight group	Child seat position	Isofix size class	Rear side Isofix position
Group 0 up to 10 kg	Facing backwards	E	IL
	Facing backwards	E	IL
Group 0+ up to 13 kg	Facing backwards	D	IL
	Facing backwards	C	IL
	Facing backwards	D	IL
Group I from 9 up to 18 kg	Facing backwards	C	IL
	Facing forwards	B	IUF
	Facing forwards	BI	IUF
	Facing forwards	A	IUF

IUF: suitable for forward-facing Isofix child restraint systems, universal class (fitted with third upper fastener), approved for the weight group.

IL: suitable for specific Isofix-type child restraint systems approved for this type of car.
The seat may be fitted by moving the front seat forward.

FRONT AIR BAGS

The car is fitted with front air bags for the driver and the passenger, and with a knee bag on the driver's side. The front driver / passenger airbags and the driver's knee bag have been designed to protect the occupants in the event of head-on crashes of medium/high severity, by placing a cushion between the occupant and the steering wheel or dashboard.

Non-activation in other types of crash (side-on collisions, rear shunts, roll-overs, etc.) is therefore not a sign of system malfunction.

An electronic control unit will make the bag inflate in the event of a frontal impact. The bag will inflate instantaneously placing itself between the front occupants body and the structures which could cause injury. It will deflate immediately afterwards.

The front driver/passenger airbags and the driver's knee bag are not a replacement for, but rather complement, the use of belts, which should always be worn, as specified by law in Europe and most non-European countries.

The volume of the front airbags at maximum inflation fills most of the space between the steering wheel and the driver and between the dashboard and the passenger.

In the event of an impact, someone not wearing a seat belt could move forward and come into contact with a bag which is still in the opening phase. The protection offered by the cushion is reduced in such a case.

Front airbags may not be activated in the following situations:

- in collisions against highly deformable objects that do not affect the front surface of the car (e.g. bumper collision against guard rail, piles of gravel etc.);
- jamming of the car underneath other vehicles or protective barriers (e.g. underneath a truck or a guard rail); in this case, the bags would offer no additional protection with respect to the seat belt and their deployment is unnecessary. Therefore, failure to activate in the above circumstances does not mean that the system is not working properly.



WARNING

Do not apply stickers or other objects on the steering wheel, passenger side airbag cover or upper side upholstery. Do not place objects (e.g. mobile phones) on the passenger side dashboard because these could interfere with the correct opening of the airbag and cause severe injury to occupants.

The airbags are not deployed in the event of minor collisions (for which the withholding action of the seat belts is sufficient). For this reason, the seat belt must be worn at all times. In the case of side collisions, the seat belts hold occupants in the correct position and prevent them being thrown out of the car by a very violent collision.

KNOWING
YOUR VEHICLE

SAFETY

STARTING
AND DRIVING

WARNING LIGHTS
AND MESSAGES

IN AN
EMERGENCY

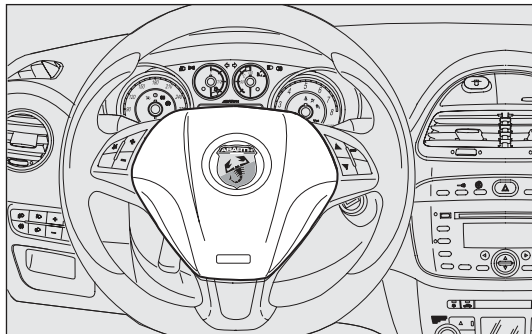
MAINTENANCE
AND CARE

TECHNICAL
SPECIFICATIONS

CONTENTS

FRONT AIR BAG ON DRIVER'S SIDE**fig. 119**

It consists of an instantly inflating bag contained in a special recess in the centre of the steering wheel.

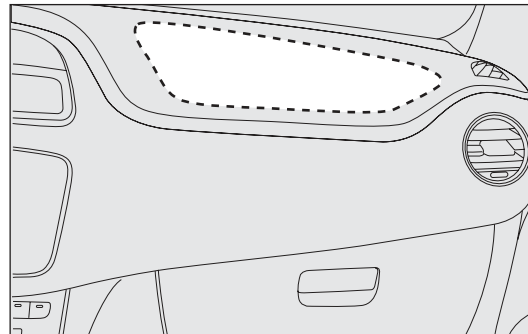


FOU119Ab

fig. 119

FRONT AIRBAG ON PASSENGER'S SIDE**fig. 120**

This consists of an instantly-inflating bag contained in a special compartment in the dashboard: this bag has a larger volume than that of the driver's.



FOU120Ab

fig. 120



WARNING



WARNING: Do not put child seats facing backwards on the front seat if the passenger's airbag is enabled (ON). Deployment of the airbag in an accident could cause fatal injuries to the baby.

Should it be absolutely necessary to place a child seat on the front seat, always deactivate the passenger airbag. Move the passenger's seat as far back as possible to avoid contact between the child seat and the dashboard. Although this is not mandatory by law, the airbag should be immediately reactivated when children are no longer carried to ensure better protection for adults.

KNEE BAG ON DRIVER'S SIDE fig. 121

This consists of an instantly-inflating bag contained in a special compartment under the steering wheel at knee level, designed to give further protection in the event of a head-on crash.

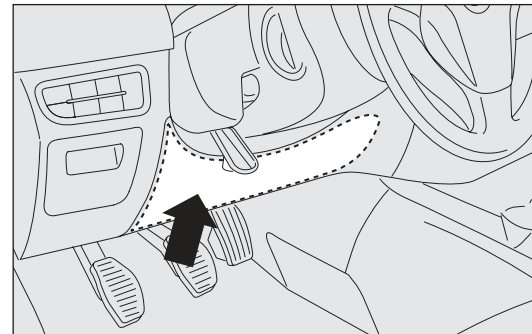


fig. 121

F0U121Ab

KNOWING
YOUR VEHICLE

SAFETY

STARTING
AND DRIVING

WARNING LIGHTS
AND MESSAGES

IN AN
EMERGENCY


MAINTENANCE
AND CARE

TECHNICAL
SPECIFICATIONS

CONTENTS

MANUAL DEACTIVATION OF PASSENGER'S FRONT AIR BAG AND SIDE BAG

Should it be absolutely necessary to carry a child on the front seat, the passenger front and side airbags can be deactivated.

The instrument panel warning light  will stay on constantly until the passenger front and side airbags are reactivated.



WARNING

To manually deactivate the passenger's front and side air bags, refer to paragraph "Reconfigurable multifunction display" in the section "Knowing your car".

SIDE AIRBAGS

The car is fitted with front side bags for driver and passenger for protecting the chest, and window bags for protecting front and rear passengers' heads.

Side bags protect occupants from side-on crashes of medium/high severity by placing the bag between the occupant and the internal parts of the side structure of the vehicle.

Non-activation of side bags in other types of collisions (head-on collisions, rear shunts, roll-overs, etc...) is not an indication of system malfunction. An electronic control unit causes the bags to inflate in the event of a frontal crash.

The bags inflate instantaneously placing themselves between the front occupant's body and the structures which could cause injury. They deflate immediately afterwards.

Side bags are not a replacement for, but rather a complement to, seat belts, which you are recommended to wear at all times, as specified by law in Europe and most non-European countries.

SIDE BAGS fig. 122

Front side airbags are housed in the seat backrests. They consist of an instant-inflation bag designed to increase protection of the occupants' chest and pelvis zone in the event of a side-on crash of medium/high severity.

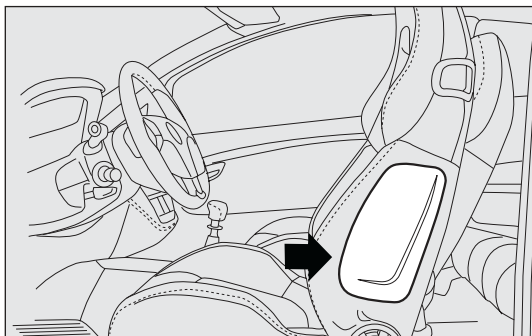


fig. 122

F0U122Ab

HEAD PROTECTION SIDE AIR BAGS (WINDOW BAGS) fig. 123

This is formed by two “curtain” window bags located behind the side roof cover and are covered by special trim. They were designed to protect the head of front and rear passengers in the case of side collisions, thanks to the wide cushion inflation surface.

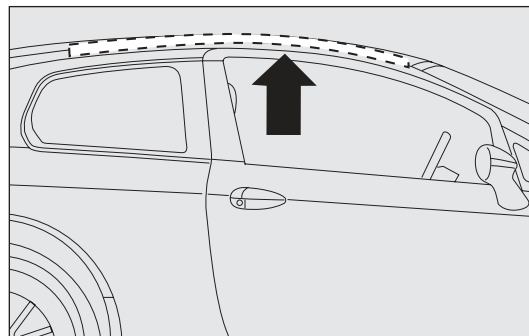


fig. 123

F0U123Ab

KNOWING
YOUR VEHICLE

SAFETY

STARTING
AND DRIVING

WARNING LIGHTS
AND MESSAGES

IN AN
EMERGENCY

MAINTENANCE
AND CARE

TECHNICAL
SPECIFICATIONS

CONTENTS

IMPORTANT In the event of a side-on crash, the system offers the best protection if you are positioned correctly on the seat because this allows the side bags to inflate correctly.

IMPORTANT The front airbags and/or side bags may be deployed if the car is subject to strong impact involving the underbody area, such as violent impacts against steps, kerbs or low obstacles, the car entering large holes or hollows in the road.

IMPORTANT A small amount of dust will be released when the airbags are deployed. The dust is harmless and does not indicate the beginning of a fire. Furthermore, the surface of the deployed bag and the interior of the car may be covered with dusty residue. This dust can irritate skin and eyes. Wash with mild soap and water in the event of exposure.

The expiration dates of the explosive charge and the clock wire are shown on a label contained in the glove box. Contact an Abarth Dealership to have the devices replaced when the expiry date approaches.

IMPORTANT Should an accident occur in which any of the safety devices are activated, contact an Abarth Dealership to have the activated devices replaced and to have the whole system checked.

Every check, repair and replacement operation concerning the airbags must be carried out at Abarth Dealerships.

If you are having the car scrapped, have the airbag system deactivated at an Abarth Dealership first. If the car changes ownership, the new owner must be informed of how to use the airbags and the above warnings: they must also be given this “Owner’s Handbook”.

IMPORTANT Pretensioners, front airbags and front side bags are deployed differently according to the type of collision. Non-deployment of one of the devices does not necessarily indicate a system malfunction.

GENERAL WARNINGS



WARNING

Do not rest your head, arms or elbows on the doors, windows or window bag deployment area as you could be injured during the inflation phase.

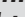


WARNING

Never stick your head, arms or elbows out of the window.



WARNING

If, when turning the key to MAR, the warning light  does not turn on or if it stays on when travelling (together with the message on the reconfigurable multifunction display), there could be a failure in the safety systems; if this is the case, the airbags or pretensioners may not trigger in the event of an accident or, in a minor number of cases, they could activate incorrectly. Contact a Fiat Dealership immediately to have the system checked before driving off.



WARNING

Do not cover the front seat backrest with sheets or covers that are not compatible with side bags.



WARNING

Do not travel with objects in your lap, in front of your chest, or between your lips (pipes, pencils, etc.). In the event of a crash when the airbag is deployed, you may be seriously injured.



WARNING

Always drive keeping your hands on the steering wheel rim so that, in the event of airbag activation, it can inflate without obstruction. Do not drive with your body slouched forwards; keep the backrest upright and lean back into it.

KNOWING
YOUR VEHICLE

SAFETY

STARTING
AND DRIVING

WARNING LIGHTS
AND MESSAGES

IN AN
EMERGENCY

MAINTENANCE
AND CARE

TECHNICAL
SPECIFICATIONS

CONTENTS


**WARNING**

If the key is turned to **MAR**, even if the engine is switched off, airbags may be deployed when the car is stationary and hit by another vehicle. For this reason, children must never sit on the front seat, even if the car is not moving. We remind you that if the key is turned to the **STOP** position, no safety device (airbag or pretensioner) activates following a collision. Non-deployment in such cases should not be considered as the sign of a malfunction.

**WARNING**

If the car has been stolen or has been the subject of an attempted theft, if it has been vandalised or flooded, have the airbag system checked at an Abarth Dealership.

**WARNING**

When the ignition key is turned to **MAR**, the warning light  turns on (with front airbag on passenger's side enabled) and blinks for a few seconds to remind you that the passenger airbag will activate in the event of a collision. Then it turns off.

**WARNING**

Do not pressure wash the seats with steam or water (either by hand or at automatic seat washing stations).

**WARNING**

The front airbags deploy in the event of more severe collisions than those required for deploying the pretensioners. For collisions in the range between the two activation thresholds, pretensioner activation alone is normal.

**WARNING**

Do not hook rigid objects to clothes hangers and support handles.

**WARNING**

The airbag does not replace seat belts; it increases their effectiveness. Furthermore, since front airbags are not deployed in low speed collisions, side-on collisions, rear-end shunts or roll-overs, the passengers are protected only by the seat belts which must therefore be fastened at all times.

STARTING AND DRIVING

STARTING THE ENGINE

The car is fitted with an electronic engine lock device: if the engine fails to start, see the paragraph “The Fiat CODE system” in section “Dashboard and controls”. The engine may be noisier during the first few seconds of operation, especially after a long period of inactivity. This is a feature of hydraulic tappets, the timing system chosen to reduce the number of servicing interventions, and effects neither functionality nor reliability.



In the first period of use, we recommend that you do not demand maximum performance from the car (e.g. excessive acceleration, extended travel at maximum revs, heavy braking etc.).



With the engine off, do not leave the key in the ignition to prevent draining the battery.



WARNING

It is dangerous to let the engine run in enclosed spaces. The engine consumes oxygen and produces carbon dioxide, carbon monoxide and other toxic gases.



WARNING

Remember that the brake booster and power steering are not operational until the engine has been started, therefore you need to apply much more force than usual to the brake pedal and steering wheel.

KNOWING
YOUR VEHICLE

SAFETY

STARTING
AND DRIVING

WARNING LIGHTS
AND MESSAGES

IN AN
EMERGENCY

MAINTENANCE
AND CARE



TECHNICAL
SPECIFICATIONS


CONTENTS

Proceed as follows:

- engage the handbrake;
- put the gear lever into neutral;
- fully depress the clutch pedal without moving the accelerator;
- turn the ignition key to AVV and release it as soon as the engine starts.

If the engine does not start at the first attempt, return the ignition key to STOP before repeating the starting procedure.

If, when the ignition key is at MAR, the instrument panel warning light  remains on together with warning light , turn the key to STOP and then back to MAR; if the warning light remains on, try the other keys provided with the vehicle.

IMPORTANT If the instrument panel warning light  stays on permanently, contact an Abarth Dealership immediately.

IMPORTANT Never leave the ignition key to MAR when the engine is off.

HOW TO WARM UP THE ENGINE AFTER IT HAS JUST STARTED

Proceed as follows:

- drive off slowly, letting the engine turn at medium speed. Do not accelerate abruptly;
- do not demand maximum performance for the first few kilometres. Wait until the engine coolant gauge starts moving.



Remember that the brake servo and power steering are not operational until the engine has been started, so you need to apply much more force than usual to the brake pedal and steering wheel.



Never start the engine by pushing, towing or driving downhill. This could cause a flow of fuel into the catalytic converter and damage it beyond repair.

STOPPING THE ENGINE

Turn the ignition key to STOP while the engine is idling.

IMPORTANT After a taxing drive, you should allow the engine to “catch its breath” before turning it off by letting it idle to allow the temperature in the engine compartment to fall.



A quick burst on the accelerator before turning off the engine serves absolutely no practical purpose, it wastes fuel and is damaging especially to turbocharged engines.

PARKING THE VEHICLE

Proceed as follows:

- Stop the engine and engage the handbrake;
- Engage a gear (on a slope, engage first gear if the vehicle is faced uphill or reverse if it is facing downhill) and leave the wheels steered.

Block the wheels with a wedge or a stone if the car is parked on a steep slope. Do not leave the key in the ignition switch to prevent draining the battery. Always remove the key when you leave the vehicle.



WARNING

Never leave children unattended in the car. Always remove the ignition key when leaving the car and take it with you.

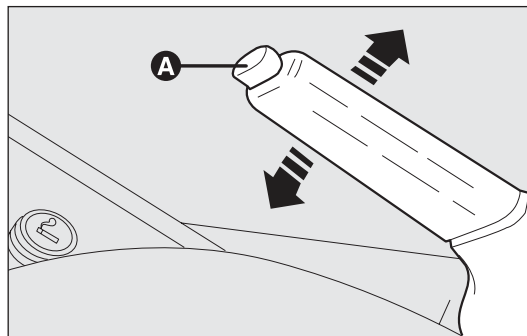


fig. 124

F0U124Ab

KNOWING
YOUR VEHICLE

SAFETY

STARTING
AND DRIVING

WARNING LIGHTS
AND MESSAGES

IN AN
EMERGENCY

MAINTENANCE
AND CARE

TECHNICAL
SPECIFICATIONS

CONTENTS

HANDBRAKE fig. 124

The handbrake lever is located to the left of the driver's seat. Pull the handbrake lever upwards until the car cannot be moved. Four or five clicks are generally enough when the car is on level ground while nine or ten may be required if the car is on a steep slope and laden.

IMPORTANT If this is not the case, contact an Abarth Dealership to have the handbrake adjusted.

When the handbrake is engaged and the ignition key is in MAR position, the warning light (ⓘ) on the instrument panel will turn on.

Proceed as follows to release the handbrake:

- slightly lift the handbrake and press the release button A;
- keep button A pressed and lower the lever. The warning light (ⓘ) on the instrument panel will turn off.

Press the brake pedal when carrying out this operation to prevent the car from moving accidentally.

USING THE MANUAL GEARBOX

To engage the gears, press the clutch pedal fully and put the gear lever into one of the required positions (the diagram is shown on the knob fig. 125).

To engage 6th gear, operate the lever by pressing it towards the right in order to avoid engaging 4th gear by mistake. The same applies to the shift from 6th to 5th gear.

IMPORTANT The car can only be put into reverse gear when it has stopped moving completely.

To engage reverse R from neutral, proceed as follows: raise sliding ring A-fig. 125 under the knob and at the same time move the gear lever to the left and then forwards.

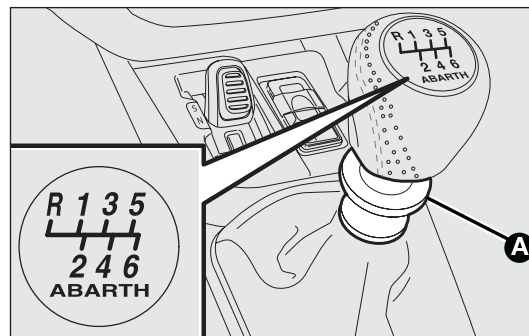


fig. 125

FOU125Ab

IMPORTANT Use of the clutch pedal must be limited solely to gear changes. Do not drive with your foot resting on the clutch pedal, however slightly. For versions/markets where provided, the electronic clutch control can intervene if it interprets incorrect driving style as a fault.



WARNING

Press the clutch pedal fully to change gears correctly. For this reason, there must be no obstacles on the floor under the pedals: ensure that rubber mats (if any) are lying flat and do not interfere with the pedals.



Do not drive with your hand resting on the shifting lever, because this pressure, even if light, over time can wear out the gearbox internal components.

CONTAINING RUNNING COSTS

Here are some suggestions which may help you to keep the running costs of your vehicle down and lower the amount of toxic emissions released into the atmosphere.

GENERAL CONSIDERATIONS

Car maintenance

Have checks and adjustments carried out in accordance with the “Scheduled Servicing Plan”.

Tyres

Check the pressure of the tyres routinely at an interval of no more than 4 weeks: if the pressure is too low, consumption levels increase as resistance to rolling is higher.

Unnecessary loads

Do not travel with an overloaded boot. The weight of the car (especially when driving in town) and the way in which it is laden greatly affect fuel consumption and stability.

KNOWING
YOUR VEHICLE

SAFETY

**STARTING
AND DRIVING**

WARNING LIGHTS
AND MESSAGES

IN AN
EMERGENCY

MAINTENANCE
AND CARE

TECHNICAL
SPECIFICATIONS

CONTENTS

Roof rack/ski rack

Remove the roof rack or the ski rack from the roof after use. These accessories lower air penetration and adversely affect consumption levels. When transporting particularly large objects, use a trailer if possible.

Electrical devices

Use electrical devices only for the amount of time needed. Rear heated window, additional headlights, windscreen wipers and heater fan need a considerable amount of energy, therefore increasing the requirement of current increases fuel consumption (up to +25% in the urban cycle).

Climate control system

The climate control system is an additional load which greatly affects the engine leading to higher consumption (on average up to +20%). When the temperature outside the car permits it, use the air vents where possible.

Devices for aerodynamic control

The use of non-certified devices for aerodynamic control may adversely affect air drag and consumption levels.

DRIVING STYLE

Starting

Do not warm up the engine at low or high revs when the car is stationary; this causes the engine to warm up more slowly, thereby increasing fuel consumption and emissions. It is therefore advisable to move off immediately, slowly, avoiding high speeds: in this way the engine will warm up more quickly.

Unnecessary actions

Avoid accelerating when stopped at traffic lights or before switching off the engine. The latter action, like double-clutching, is unnecessary and causes increase of consumption and pollution.

Gear selection

As soon as the conditions of the traffic and road allow, use a higher gear. Using a low gear for faster acceleration will increase consumption. In the same way improper use of a high gear increases consumption, emissions and engine wear.

Top speed

Fuel consumption considerably increases with speed. Maintain a constant speed, avoiding unnecessary braking and acceleration, which cost in terms of both fuel and emissions.

Acceleration

Accelerating violently severely affects consumption and emissions: acceleration should be gradual and should not exceed the maximum torque.

CONDITIONS OF USE

Cold starting

Short journeys and frequent cold starts will prevent the engine from reaching optimal running temperature. Consequently, both consumption (from +15 to +30% on urban cycle) and emissions will increase.

Traffic and road conditions

Rather high consumption levels are linked to situations with heavy traffic, for instance when travelling in queues with frequent use of the lower gears or in cities with many traffic lights. Winding mountain roads and rough road surfaces also adversely affect consumption.

Stops in traffic

During prolonged stops (e.g. level crossings) the engine should be switched off.

KNOWING
YOUR VEHICLE

SAFETY

**STARTING
AND DRIVING**

WARNING LIGHTS
AND MESSAGES

IN AN
EMERGENCY

MAINTENANCE
AND CARE

TECHNICAL
SPECIFICATIONS

CONTENTS

SNOW TYRES

Use snow tyres of the same size as the normal tyres provided with the car.

Winter tyres 205/45 R17"- 88Q (M+S) are available at Abarth Dealerships to be used if the car is mainly driven on snow-covered roads.

For the type of tyre to be used, inflation pressures and the specifications of snow tyres, follow the instructions given in paragraph "Wheels" in section "Technical specifications".

The performance of these tyres is considerably reduced when the tread depth is less than 4 mm. Replace them in this case.

Due to snow tyre features, under normal conditions of use or on long motorway journeys, the performance of these tyres is much lower than that of standard tyres.

Limit performance according to the use for which they were certified.

IMPORTANT When snow tyres are used with a maximum speed index below the one that can be reached by the car (increased by 5%), place a notice in the passenger compartment, plainly in view, which states the maximum permissible speed of the snow tyres (as per an EC Directive).

All four tyres should be the same (brand and track) to ensure greater safety when driving and braking and better driveability.

Remember that it is inadvisable to change the rotation direction of tyres.



WARNING

The max. speed of snow tyres with "Q" marking is 160 km/h. The Highway Code speed limits must however always be complied with.

SNOW CHAINS

The use of snow chains should be in compliance with local regulations. The snow chains may be applied only onto the front wheel tyres (drive wheels). Use of Lineaccessori Abarth snow chains is recommended. Check the tension of the snow chains after the first few metres have been driven.

IMPORTANT With snow chains, use the accelerator with extreme care to prevent or to limit as much as possible slipping of the driving wheels that could cause chain breakage resulting in damage to the car body or mechanical components.

IMPORTANT Use compact 7 mm snow chains.



WARNING

215/45 R17"-91Y tyres cannot be fitted with snow chains.



WARNING



Keep your speed down when snow chains are fitted. Do not exceed 50 km/h. Avoid potholes, steps and pavements and also avoid driving for long distances on roads not covered with snow to prevent damaging the car and the roadbed.

KNOWING
YOUR VEHICLE

SAFETY

**STARTING
AND DRIVING**

WARNING LIGHTS
AND MESSAGES

IN AN
EMERGENCY

MAINTENANCE
AND CARE

TECHNICAL
SPECIFICATIONS

CONTENTS

CAR INACTIVITY

If the car is to be left inactive for longer than a month, the following precautions should be followed:

- park the car in covered, dry and if possible well-ventilated premises;
- engage a gear;
- check that the handbrake is not engaged;
- disconnect the negative battery terminal and check battery charge. Repeat this check once every three months during storage. Recharge if the optical indicator shows a dark colour without the central green area;
- clean and protect the painted parts using protective wax;
- clean and protect the shiny metal parts using special compounds commercially available;
- sprinkle talcum powder on the rubber windscreen and rear window wiper blades and lift them off the glass;
- slightly open the windows;
- cover the car with a cloth or perforated plastic sheet. Do not use sheets of non-perforated plastic as they do not allow moisture on the car body to evaporate;
- inflate tyres to +0.5 bar above the standard specified pressure and check it periodically;
- if you don't disconnect the battery from the electrical system, check its charge every month and recharge it if the indicator shows a dark colour without the central green area;
- do not drain the engine cooling system.

IMPORTANT Where relevant, switch off the car alarm with the remote control.

WARNING LIGHTS AND MESSAGES

WARNING LIGHTS AND MESSAGES

GENERAL WARNINGS

Switching on of some warning lights/symbols is associated to a specific message and/or warning buzzer. These indications are indicative and precautionary and as such must not be considered as exhaustive and/or alternative to the information contained in the Owner Handbook, which you are recommended to read carefully in all cases. Always refer to the information in this chapter in the event of a failure indication.

IMPORTANT The fault indicators appearing on the reconfigurable multifunction display are divided into two categories: very serious and less serious faults.

Very serious faults prompt a prolonged cycle of signals.

Less serious faults prompt a shorter cycle of signals.

Press MENU ESC to stop the warning cycle in both cases.

The instrument panel warning lights will stay on until the causes of the fault are eliminated.



BRAKE FLUID LOW (red) HANDBRAKE ENGAGED (red)

When the key is turned to the MAR position the warning light comes on but should go out after a few seconds.

Low brake fluid level

The warning light comes on when the level of the brake fluid in the reservoir falls below the minimum level due to a possible leak in the circuit.

The display will show a dedicated message.



WARNING

If the warning light (ⓘ) turns on when travelling (with the message on the display) stop the car immediately and contact an Abarth Dealership.

Handbrake on

The warning light turns on when the handbrake is engaged.

On some versions there is also an associated warning buzzer if the car is moving.

IMPORTANT If the warning light turns on when travelling, check that the handbrake is not engaged.

KNOWING
YOUR VEHICLE

SAFETY

STARTING
AND DRIVING

**WARNING LIGHTS
AND MESSAGES**

IN AN
EMERGENCY

MAINTENANCE
AND CARE

TECHNICAL
SPECIFICATIONS

CONTENTS



ABS SYSTEM FAILURE (amber)



Turning the key to the MAR position illuminates the warning light, but it should switch off after a few seconds.

The warning light will light up when the system is either not working or not available. Under these circumstances the braking system will work as normal without the extra performance offered by the ABS system. Drive carefully and contact an Abarth Dealership as soon as possible.

The display will show a dedicated message.



EBD FAULT (red/amber)

Warning lights  and  lit at the same time with the engine running

indicate an EBD system failure or that the system is not available. This may cause premature locking of the rear wheels in the event of violent braking, causing the car to swerve. Drive very carefully to an Abarth Dealership to have the system inspected immediately.

The display will show a dedicated message.



ESP SYSTEM FAILURE (amber)

When the key is turned to the MAR position the warning light comes on but should go out after a few seconds.

ESP-ASR system failure

If the warning light does not go out or remains on while driving, it indicates a fault in the ESP-ASR system. In this case, contact an Abarth Dealership as soon as possible.

The display shows the dedicated message.

Note Warning light flashing when driving indicates that the ESP system has intervened.

Hill Holder system fault

(for versions/markets, where provided)

The warning light will turn on when the Hill Holder system is faulty. In this case, contact an Abarth Dealership as soon as possible.

The display shows the dedicated message.



AIRBAG FAILURE (red)


When the key is turned to the MAR position the warning light comes on but should go out after a few seconds.

The warning light stays on constantly if there is a fault in the air bag system.

The display shows the dedicated message.





WARNING

If, when turning the key to MAR the warning light  does not turn on or if it stays on when travelling, there could be a fault in the retaining systems; in this event air bags or pretensioners may not be deployed in case of impact or, in a minor number of cases, they may deploy incorrectly. Contact an Abarth Dealership immediately to have the system checked before driving off.



WARNING

A problem with the warning light  (light off) is indicated by the warning light , which indicates that the front passenger airbag is deactivated, flashing for more than the usual four seconds.



SEAT BELTS NOT FASTENED (red)



This warning light comes on constantly when the car is stationary and the driver's seat belt is not correctly fastened.

The warning light will flash and a buzzer will sound if the vehicle is in motion and the front seat belts are not correctly fastened.

The buzzer of the SBR (Seat Belt Reminder) system may only be switched off by an Abarth Dealership. The system can be reactivated from the set-up menu.







FRONT PASSENGER'S AIR BAG DEACTIVATED (amber)

The warning light  comes on when the front passenger airbag is disabled. With the front passenger air bag enabled, when the ignition key is turned to MAR the  warning light comes on constantly for about 4 seconds, flashes for another 4 seconds and then should go out.



WARNING

Warning light  indicates a fault with warning light . This condition is indicated by intermittent blinking of warning light  for longer than 4 seconds. In this case, the warning light  may not indicate failures in the retaining systems. Before driving off, contact an Abarth Dealership to have the system checked immediately.

KNOWING YOUR VEHICLE

SAFETY

STARTING AND DRIVING

WARNING LIGHTS AND MESSAGES

IN AN EMERGENCY

MAINTENANCE AND CARE

TECHNICAL SPECIFICATIONS

CONTENTS




LOW ENGINE OIL PRESSURE (red)

When the ignition key is moved to MAR, the warning light switches on, and should go out as soon as the engine is started.

The warning light switches on constantly together with the message in the display when the system detects that the engine oil pressure is insufficient.



WARNING

If the warning light  turns on when travelling (with the message on the display) stop the car immediately and contact an Abarth Dealership.



EOBD SYSTEM FAILURE (amber)

In normal conditions, when the ignition key is moved to MAR, the warning light turns on and should go off after engine start-up. The initial switching-on indicates that the warning light is working properly. If the warning light stays on or turns on when travelling:

- on permanently: this means there is a fault in the supply/ignition system which could cause high exhaust emissions, loss of performance, poor handling and high fuel consumption levels.

The display shows the dedicated message.

Under these conditions, you may continue travelling at a moderate speed without demanding excessive effort from the engine. Prolonged use of the car with the warning light on may cause damage. Contact an Abarth Dealership as soon as possible.



The warning light switches off if the failure disappears, but it is still stored by the system.

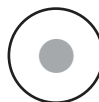
- flashing: this indicates possible damage to the catalytic converter (see “EOBD system” in the “Knowing your car” section).

If the light flashes, release the accelerator pedal to reduce engine revs until the warning light stops flashing; continue the journey at a moderate speed, trying to avoid driving conditions that may cause further flashing, and contact an Abarth Dealership as soon as possible.



WARNING

Contact an Abarth Dealership as soon as possible if the warning light  does not light up when the key is turned to MAR or if, during travel, the warning light comes on either constantly or flashing (along with a message on the display). The operation of the warning light  may be checked by the traffic control authorities using specific devices. Always comply with the traffic regulations in force in the country where you are driving.



EXCESSIVE ENGINE COOLANT TEMPERATURE (red)

When the key is turned to the MAR position the warning light comes on but should go out after a few seconds. The warning light turns on when the engine is overheated. If the warning light comes on when driving, proceed as follows:

- when driving normally: stop the car, switch off the engine and check that the water level in the reservoir is not below the MIN mark. If it is not, wait for a few minutes for the engine to cool down then slowly and carefully open the cap, top up with coolant and check that the level is between the MIN and MAX marks. Also check visually for any fluid leaks. Contact an Abarth Dealership if the warning should come on when the engine is started again.
- if the vehicle is used under demanding conditions (e.g. towing trailers uphill or fully loaded): slow down and, if the light stays on, stop the car. Wait for 2 or 3 minutes with the engine running and slightly accelerated to further favour the coolant circulation. Then stop the engine. Check correct liquid level as described above.

IMPORTANT Over demanding routes, it is advisable to keep the engine on and slightly accelerated for a few minutes before switching it off.

The display shows the dedicated message.

KNOWING
YOUR VEHICLE

SAFETY

STARTING
AND DRIVING

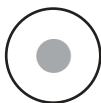
**WARNING LIGHTS
AND MESSAGES**

IN AN
EMERGENCY

MAINTENANCE
AND CARE

TECHNICAL
SPECIFICATIONS

CONTENTS

**FUEL RESERVE (amber)**

When the key is turned to the MAR position the warning light comes on but should go out after a few seconds.

The warning light turns on when about 7 litres of fuel are left in the tank.

IMPORTANT The warning light will flash to indicate a system failure. If this is the case, contact an Abarth Dealership to have the system checked.

**FRONT FOG LIGHTS (green)**

The light comes on when the front fog lights are turned on.

**SIDE/TAIL LIGHTS
AND LOW BEAMS (green)
FOLLOW ME HOME (green)****Side/tail lights and low beams**

The warning light comes on when side/tail lights or low beams are turned on.

Follow me home

The warning light will turn on when this device is active (see “Follow me home” in section “Knowing your car”). The display will show a dedicated message.

**LEFT-HAND DIRECTION
INDICATOR (green – blinking)**

The warning light turns on when the direction indicator control lever is moved downwards or, together with the right indicator, when the hazard warning light button is pressed.

**RIGHT-HAND DIRECTION
INDICATOR (green – blinking)**

The warning light turns on when the direction indicator control lever is moved upwards or, together with the left indicator, when the hazard light button is pressed.



MAIN BEAM HEADLIGHTS (blue)

The warning light comes on when the main beams are turned on.



REAR FOG LIGHTS (amber)

The warning light comes on when the rear fog lights are turned on.



CRUISE CONTROL (green) (for versions/markets where provided)

When the key is turned to the MAR position the warning light comes on but should go out after a few seconds. The warning light switches on by rotating the Cruise Control twist switch to ON. The display will show a dedicated message.



INCOMPLETE DOOR LOCKING (red)

The symbol is shown on the display when one or more doors or the tailgate are not perfectly closed.

The display shows the dedicated message. An acoustic signal is emitted with the doors open and the car moving.



ENGINE OIL LEVEL LOW (red)

The symbol is shown on the display when the engine oil level falls below the minimum recommended value. Restore the correct engine oil level (see “Checking fluid levels” in the “Servicing and maintenance” section).

The display shows the dedicated message.



GENERIC WARNING (amber)

Engine oil pressure sensor failure

The symbol is shown on the display when a fault in the engine oil pressure sensor is detected. Contact an Abarth Dealership to have the fault fixed as soon as possible.



ELECTRIC STEERING FAILURE (red)

When the symbol is shown on the display, you will not benefit from the electric power steering and the effort needed to turn the wheel will be greatly increased, although it will still be possible to steer the car. Contact an Abarth Dealership.

The display shows the dedicated message.

KNOWING
YOUR VEHICLE

SAFETY

STARTING
AND DRIVING

**WARNING LIGHTS
AND MESSAGES**

IN AN
EMERGENCY

MAINTENANCE
AND CARE

TECHNICAL
SPECIFICATIONS

CONTENTS



FIAT CODE VEHICLE PROTECTION SYSTEM FAILURE

(amber)

(for versions/markets where provided)

The symbol (together with a dedicated message) may be shown on the display to indicate that there is a fault in the Fiat Code system or, if applicable, the alarm system. In this case, contact an Abarth Dealership as soon as possible.



WORN BRAKE PADS

(amber)

The symbol is shown on the display if the front brake pads are worn; in this case, have them changed as soon as possible.

The display will show a dedicated message.



SPORT MODE

The symbol is shown on the display when “Sport” driving mode is engaged and remains off when “Normal” mode is activated (see “Manettino Abarth car dynamic control system” in the “Knowing your car” section).



EXTERIOR LIGHTS FAILURE

(amber)

(for versions/markets where provided)

The symbol is shown on the display when a failure with one of the following lights is detected:

- side lights
- brake lights
- rear fog lights
- direction indicators
- number plate lights
- DRL lights

The display will show a dedicated message.

The failure relating to these lights could be one or more blown bulbs, a blown protection fuse or a break in the electrical connection.



FUEL CUT-OFF SYSTEM (amber)

The symbol is shown on the display when the fuel cut-off system has intervened.

The display shows the dedicated message.

For the procedure to restore the system see “Fuel cut-off system” in the “Knowing your car” section.



TYRE PRESSURE CHECK (amber)

TYRE PRESSURE LOW (amber)

TYRE PRESSURE UNSUITABLE FOR SPEED (amber) (for versions/markets where provided)

Check tyre pressures

The symbol is shown on the display to indicate the flat tyre. Should two or more tyres be flat, the display will show the indications corresponding to each tyre in sequence.

Restore correct tyre pressures as soon as possible (see “Cold tyre pressures” in the “Technical specifications” section).

Tyre pressure low

The symbol is shown on the display if the pressure of one or more tyres drops below the preset level. In this way the TPMS system warns the driver that one or more tyres may be dangerously flat and liable to puncture.

IMPORTANT Do not continue driving with one or more flat tyres as handling may be compromised. Stop the car, avoiding harsh braking or steering manoeuvres. Repair using the dedicated kit (see the “Automatic Fix&Go quick tyre repair kit” paragraph in the “In an emergency” section) and contact an Abarth Dealership as soon as possible.

Tyre pressure unsuitable for speed

Should travelling at a higher speed than 160 km/h be required, inflate tyres to pressures values specified in paragraph “Inflation pressures”.

If the TPMS system (where provided) detects that the pressure of one or more tyres is unsuitable for the current speed, the symbol will be shown on the display together with the dedicated message (see paragraph “Low tyre pressure” in this section) and it will stay on until the car speed returns within the preset threshold.

IMPORTANT In this case, slow down immediately because tyre overheating could compromise tyre performance and durability beyond repair, and may even make the tyre explode.

KNOWING
YOUR VEHICLE

SAFETY

STARTING
AND DRIVING

**WARNING LIGHTS
AND MESSAGES**

IN AN
EMERGENCY

MAINTENANCE
AND CARE

TECHNICAL
SPECIFICATIONS

CONTENTS

**WARNING**

Strong radio-frequency interference could inhibit the regular operation of the TPMS system.
This condition will be indicated by a message. The message will disappear automatically as soon as the interference ceases to disturb the system.

**EXCEEDING SPEED LIMIT (red)**

The symbol is shown on the display when the car exceeds the set speed limit (see “Reconfigurable Multifunction Display” in section “Knowing your car”).

**ALTERNATOR (BATTERY) FAILURE (red)**

If the symbol is shown on the display, contact an Abarth Dealership immediately.
The display shows the dedicated message.

**WINDSCREEN WIPER AUTOMATIC OPERATION NOT AVAILABLE (amber)**

The symbol is shown on the display when the windscreen wiper automatic control, which adapts operation speed to vehicle speed, is not available.

The display will show a dedicated message.

**POSSIBLE PRESENCE OF ICE ON THE ROAD**

The outside temperature indicator starts flashing when the outside temperature reaches or falls below 3°C and the ❄ symbol lights up on the display to warn the driver of the possible presence of ice on the road.

The display will show a dedicated message.

**SERVICE DUE**

The display shows a dedicated message to indicate the scheduled servicing deadline.

IN AN EMERGENCY

In an emergency we recommend that you call the free-phone number found on the **Warranty Booklet**. You can also find the **Abarth Dealership** nearest to you on the web site www.fiat.com.

STARTING THE ENGINE

EMERGENCY STARTING

If the instrument panel warning light  stays on permanently, contact an Abarth Dealership immediately.

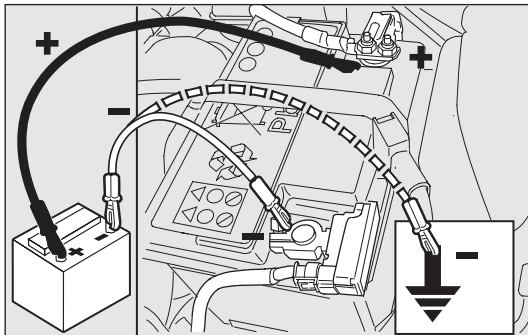


fig. 126

FOU187Ab

JUMP STARTING fig. 126

If the battery is flat, the engine may be started using an auxiliary battery with the same capacity or a little higher than the flat one. It is advisable to contact an Abarth Dealership to check/replace the battery.



WARNING

This procedure must be performed by expert personnel because incorrect actions could cause electrical discharge of considerable intensity. Furthermore, battery fluid is poisonous and corrosive: avoid contact with skin and eyes. Keep naked flames away from the battery. No smoking. Do not cause sparks.

IMPORTANT For the jump starting procedure, refer to “Knowing your car” section, paragraph “Start&Stop system”.

KNOWING
YOUR VEHICLE

SAFETY

STARTING
AND DRIVING

WARNING LIGHTS
AND MESSAGES

**IN AN
EMERGENCY**

MAINTENANCE
AND CARE

TECHNICAL
SPECIFICATIONS

CONTENTS

BUMP STARTING

Never bump start the engine by pushing, towing or driving downhill. This could cause a flow of fuel into the catalytic converter and damage it beyond repair.

IMPORTANT Remember that the brake servo and the power steering system are not activated until the engine is started; a greater effort will therefore be required to press the brake pedal or turn the steering wheel.

FIX & GO Automatic QUICK TYRE REPAIR KIT

The Fix&Go Automatic quick tyre repair kit is located in the luggage compartment.

The kit fig. 127 includes:

- a canister A, containing sealant, which is fitted with:
 - filler tube B;
 - an adhesive label C with the message “max. 80 km/h” to apply in a position clearly visible by the driver (on the dashboard) after repairing the tyre;
- informative leaflet (see fig. 128), used to ensure the correct use of the quick tyre repair kit and then given to the personnel who will handle the treated tyre;

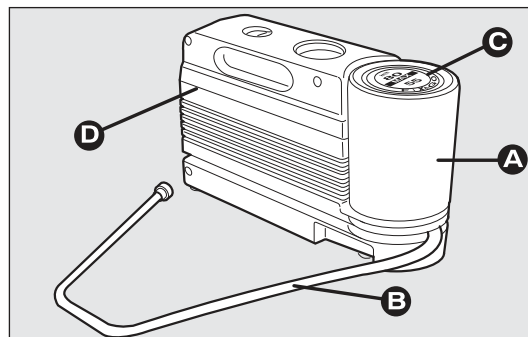


fig. 127

FOU128Ab

- a compressor D-fig. 127 complete with pressure gauge and connectors, located in the compartment;
- a pair of protective gloves located in the compressor's side compartment;
- adapters for inflating different elements.

You can also find the screwdriver and tow hitch in the quick repair kit container (stored in the boot under the carpet).



WARNING

Hand the leaflet over to the staff who have to manage the tyre treated using the tyre repair kit.



In the case of a puncture, caused by a foreign body, tyres that have suffered damage up to a maximum diameter of 4 mm on the tread or the shoulder can be repaired.



WARNING

The kit cannot be used to repair damage to the tyre sidewall. Do not use the quick repair kit if the tyre is damaged from running on a flat tyre.



WARNING

If the wheel rim is damaged (distortion of the groove causing air leakage) it cannot be repaired. Do not remove the foreign body (screw or nail) from the tyre.

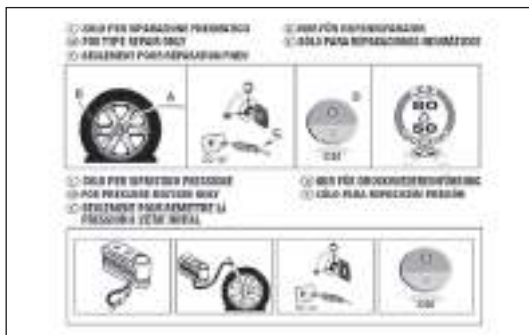


fig. 128

FOU129Ab

KNOWING
YOUR VEHICLE

SAFETY

STARTING
AND DRIVING

WARNING LIGHTS
AND MESSAGES

IN AN
EMERGENCY

MAINTENANCE
AND CARE

TECHNICAL
SPECIFICATIONS

CONTENTS

IMPORTANT INFORMATION:

The sealing fluid of the quick tyre repair kit is effective at external temperatures of between -20 °C and +50 °C.

The sealing fluid will expire.

**WARNING**

Do not operate the compressor for longer than 20 consecutive minutes. Risk of overheating. The quick repair kit is not suitable for definitive repairs. Tyres may only be repaired temporarily.

**WARNING**

The cylinder contains ethylene glycol. Contains latex: may cause an allergic reaction. Harmful if swallowed. Irritant for the eye. May cause irritation if inhaled or on contact. Avoid contact with eyes, skin and clothes. In the event of contact, wash immediately with plenty of water. Do not induce vomiting if swallowed. Rinse your mouth and drink plenty of water. Call a doctor immediately. Keep away from children. The product must not be used by asthmatics. Do not breathe in the vapours during insertion and suction. Call a doctor immediately if allergic reactions are noted. Store the bottle in the specific compartment, away from sources of heat. The sealant fluid has a limited life.



Replace the bottle containing out of date sealant fluid. Dispose of the bottle and the sealant liquid properly. Dispose of according to the national and local regulations in force.

INFLATION PROCEDURE



WARNING

Wear on the protective gloves provided together with quick tyre repair kit.

- Apply the handbrake. Unscrew the tyre valve cap, take out the transparent flexible filler tube A-fig. 129 and tighten the ring nut B on the tyre valve;
- make sure that switch D-fig. 130 for the compressor is in position O (off), start the engine, insert pin E-fig. 131 into the nearest socket and switch on the compressor by moving switch D-fig. 130 to position I (on). Inflate the tyre to the pressure value specified in paragraph “Inflation pressure” in chapter “Technical specifications”.

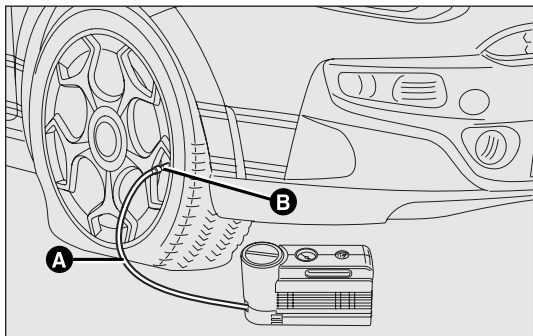


fig. 129

FOU130Ab

Check tyre pressure on gauge F-fig. 130 with compressor off to obtain precise reading;

- if a pressure value of a least 1.5 bar is not reached within five minutes, disconnect the compressor from the valve and socket, move the vehicle forwards by about 10 metres to distribute the sealant fluid within the tyre and repeat the inflation procedure;

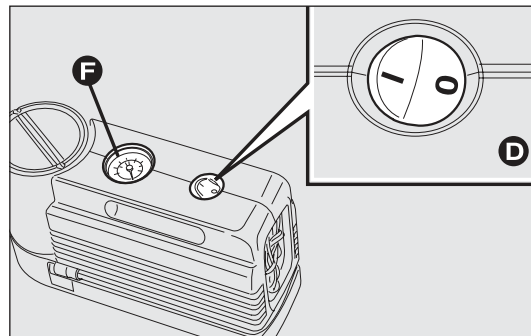


fig. 130

FOU131Ab

KNOWING
YOUR VEHICLE

SAFETY

STARTING
AND DRIVING

WARNING LIGHTS
AND MESSAGES

IN AN
EMERGENCY

MAINTENANCE
AND CARE

TECHNICAL
SPECIFICATIONS

CONTENTS

- if in this case a pressure of at least 1.8 bar is not reached within five minutes of switching on the compressor, do not continue driving because the tyre is too damaged and the hold cannot be guaranteed using the kit. Contact an Abarth Dealership;
- if the tyre reaches the pressure specified in the “Inflation pressure” paragraph in the “Technical Specifications” chapter, start driving immediately;

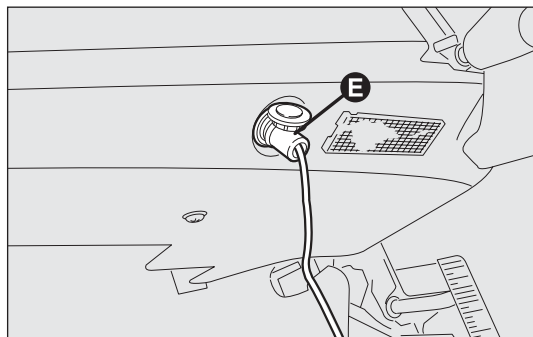


fig. 131

FOU132Ab

**WARNING**

Apply the adhesive label in a position clearly visible by the driver as a reminder that the tyre has been treated with the quick repair kit. Drive carefully, particularly on bends. Do not exceed 80 km/h. Do not accelerate and brake suddenly.

- after driving for about 10 minutes, stop and check the tyre pressure fig. 132 again; remember to put the handbrake on;

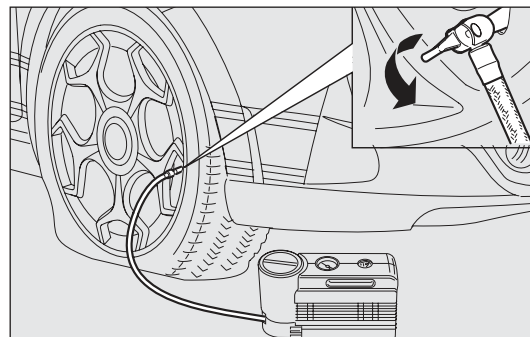


fig. 132

FOU133Ab



WARNING

If the pressure has fallen below 1.8 bar, do not drive any further: the automatic Fix&Go Automatic quick tyre repair kit cannot guarantee the correct hold because the tyre is too damaged. Contact an Abarth Dealership.

- if at least 1.8 bar pressure is read, restore the correct pressure (with engine running and handbrake on) and restart;
- drive with the utmost care to the nearest Abarth Dealership.



WARNING

Inform the dealership that the tyre has been repaired using the quick tyre repair kit. Hand the instruction brochure over to the personnel charged with treating the tyre repaired with the kit.

FOR CHECKING AND RESTORING PRESSURE ONLY

The compressor can also be used solely for restoring pressure. Release the quick coupling and connect it directly to the tyre valve fig. 133; in this way, the cylinder will not be connected to the compressor and no sealant will be injected.

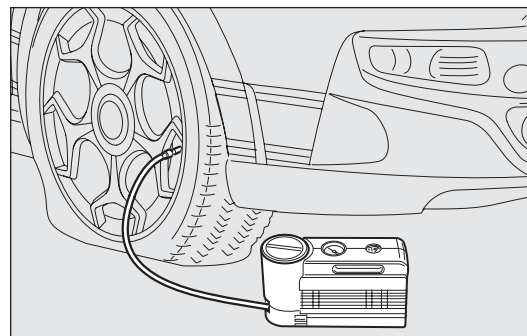


fig. 133

F0U134Ab

KNOWING
YOUR VEHICLE

SAFETY

STARTING
AND DRIVING

WARNING LIGHTS
AND MESSAGES

IN AN
EMERGENCY

MAINTENANCE
AND CARE

TECHNICAL
SPECIFICATIONS

CONTENTS

CYLINDER REPLACEMENT PROCEDURE

To replace the cylinder, proceed as follows:

- disconnect A-fig. 134;
- turn the bottle anticlockwise to replace and raise it;
- fit the new cylinder and turn it clockwise;
- connect connection A to the canister and fit the transparent tube B in the special compartment.

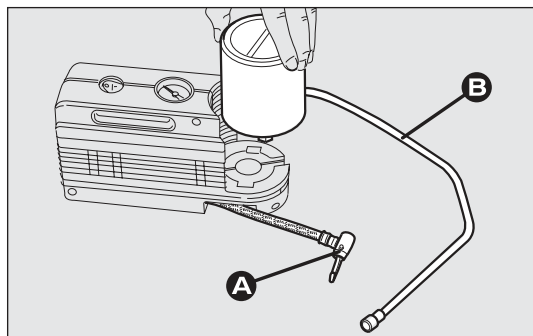


fig. 134

F0U135Ab

CHANGING A BULB

GENERAL INSTRUCTIONS

- When a light is not working, check that the corresponding fuse is intact before changing a bulb. For the location of fuses, refer to the paragraph “If a fuse blows” in this section;
- before changing a bulb check the contacts for oxidation;
- burnt bulbs must be replaced by others of the same type and power;
- always check the height of the headlight beam after changing a bulb for safety reasons.



WARNING

Changes or repairs to the electrical system (electronic control units) carried out incorrectly and without due consideration for the technical specifications of the system may lead to malfunctioning and generate a fire hazard.



WARNING

Halogen lamps contain pressurised gas. If they break, glass fragments could fly everywhere.



Halogen bulbs must be handled by holding the metallic part only. Touching the transparent part of the bulb with your fingers may reduce the intensity of the light emitted and even compromise the life of the bulb itself. In the event of accidental contact, wipe the bulb with an alcohol-soaked cloth and leave to dry.

IMPORTANT The internal surface of the light may appear slightly misty: this does not indicate a fault, and is actually caused by low temperature and the degree of humidity in the air. Misting will rapidly disappear when the headlights are switched on. The presence of drops inside the headlights indicates infiltration of water. Contact an Abarth Dealership.

TYPES OF BULBS

Different types of bulbs fig. 135 are installed on the car:

- A Glass bulbs: clipped into position.
Pull to remove.
- B Bayonet type bulbs: to remove this type of bulb from its holder, press the bulb and turn it anticlockwise.

- C Tubular bulbs: release them from their contacts to remove.
- D-E Halogen bulbs: to remove the bulb, release the clip holding the bulb in place.

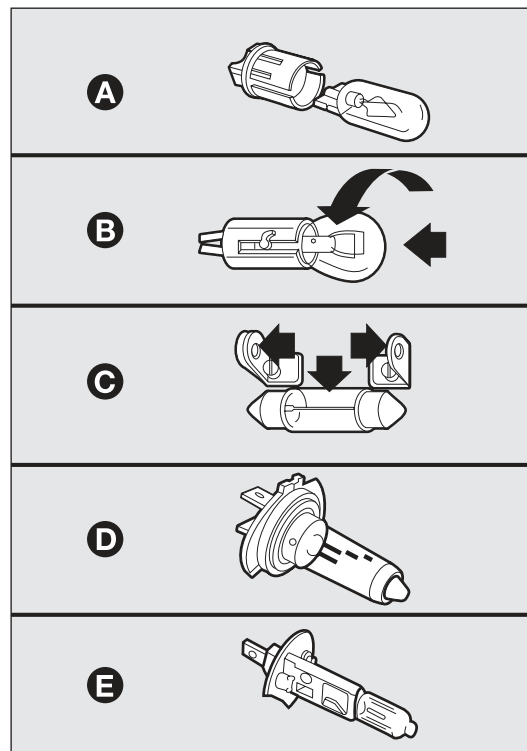


fig. 135

FOU137Ab

KNOWING
YOUR VEHICLE

SAFETY

STARTING
AND DRIVING

WARNING LIGHTS
AND MESSAGES

**IN AN
EMERGENCY**

MAINTENANCE
AND CARE

TECHNICAL
SPECIFICATIONS

CONTENTS

	Bulbs	Figure ref.	Type	Power
KNOWING YOUR VEHICLE	Dipped/main beam headlights	D	H4	55 W/60 W
	Daytime running lights	A	W21W	21 W
SAFETY	Front side lights	A	W5W	5 W
	Front fog lights (for versions/markets where available)	–	H11	55 W
STARTING AND DRIVING	Front direction indicators	B	PY21W	21 W
	Side direction indicators	A	WY5W	5 W
	Rear direction indicators	B	PY21W	21 W
WARNING LIGHTS AND MESSAGES	Rear side lights	–	LED	–
	Brake lights	B	P21W	21 W
	Third brake light (additional brake light)	B	W2.3W	2.3 W
IN AN EMERGENCY	Reversing lights	–	W16W	16 W
	Rear fog lights	–	W16W	16 W
MAINTENANCE AND CARE	Number plate lights	A	W5W	5 W
	Front courtesy light with spot lights	C	C10W	10 W
TECHNICAL SPECIFICATIONS	Boot light	A	W5W	5 W
	Courtesy light	C	C5W	5 W
CONTENTS				

REPLACING EXTERIOR BULBS

For the type of bulb and power rating, see “Changing a bulb”.

FRONT LIGHT CLUSTERS fig. 136

The front light clusters contain sidelights, dipped beam, main beam and direction indicator bulbs.

The bulbs are arranged inside the light cluster as follows:

- A sidelights
- B daytime running lights
- C direction indicators
- D main beam/dipped beam headlights

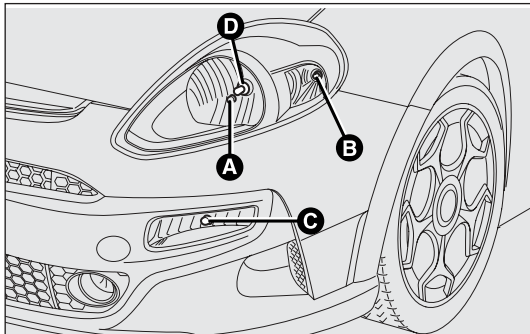


fig. 136

FOU138Ab

IMPORTANT You can replace the front direction indicator, main beam and dipped beam headlight bulbs through the access flap (see “Direction indicators” in this section).

SIDE LIGHTS fig. 137

To change the bulb, proceed as follows:

- remove the rubber cap using the tab;
- press in tabs B and remove the bulb holder;
- remove the bulb C and replace it;
- refit the bulb holder and then refit the cap, ensuring that it locks into place.

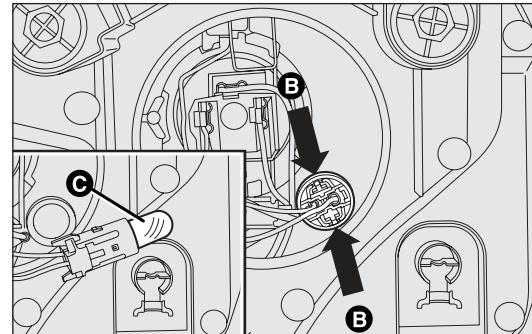


fig. 137

FOU139Ab

KNOWING
YOUR VEHICLE

SAFETY

STARTING
AND DRIVING

WARNING LIGHTS
AND MESSAGES

IN AN
EMERGENCY

MAINTENANCE
AND CARE

TECHNICAL
SPECIFICATIONS

CONTENTS

DAY LIGHTS (DRL)

To change the bulb, proceed as follows:

- turn the bulb holder A-fig. 138 anticlockwise using the tab and pull it out;
- remove the bulb B by pushing it in slightly and turning it anticlockwise;
- refit the bulb holder by putting it in its housing and turning it clockwise until it locks into place.

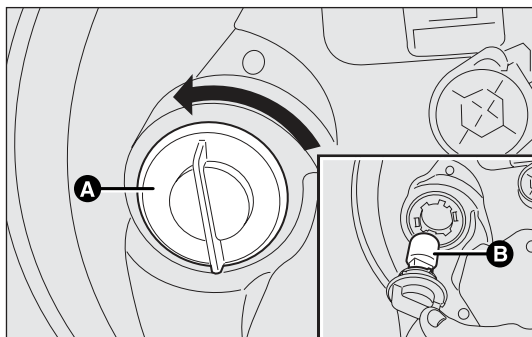


fig. 138

FOU140Ab

MAIN/DIPPED BEAM HEADLIGHTS

To change the bulb, proceed as follows:

- remove the rubber cap;
- disconnect the central electric connector B-fig. 139 and release the bulb holder catch;
- remove the bulb A and replace it;
- fit the new bulb, aligning the outlines of the metallic part with the grooves on the reflector;
- refit the bulb holder catch and reconnect the electrical connector;
- refit the cap A, ensuring that it locks into place.

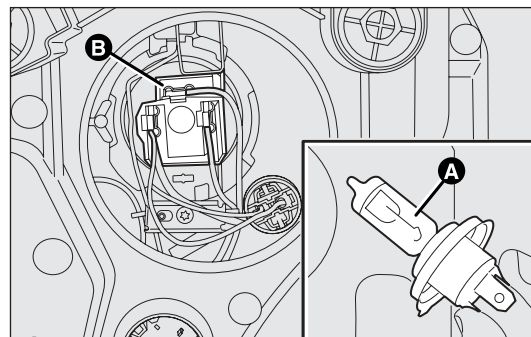


fig. 139

FOU141Ab

DIRECTION INDICATORS

Front fig. 140

To change the bulb, proceed as follows:

- steer the right/left wheel inwards;

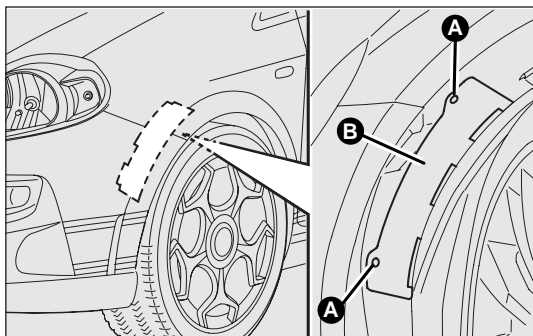


fig. 140

F0U142Ab

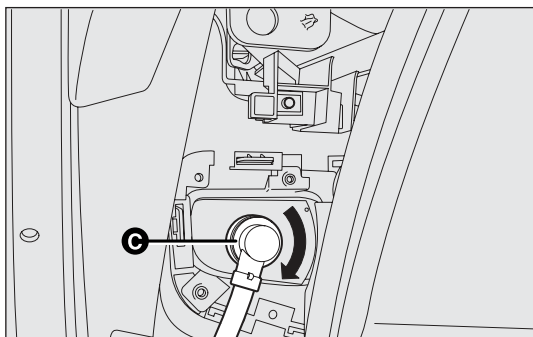


fig. 141

F0U143Ab

- unscrew the catch A-fig. 140, then lift off the access lid B;
- remove the bulb holder cover C-fig. 141 by turning it anticlockwise;
- remove the bulb D-fig. 142 by pushing it in gently and turning anticlockwise (“bayonet” fitting), then replace it;
- refit the bulb holder cover C-fig. 141 by turning it clockwise and locking it correctly;
- close the flap B-fig.140 then screw in the catch A.

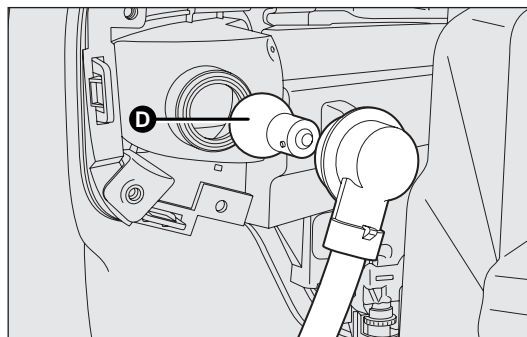


fig. 142

F0U144Ab

KNOWING
YOUR VEHICLE

SAFETY

STARTING
AND DRIVING

WARNING LIGHTS
AND MESSAGES

IN AN
EMERGENCY

MAINTENANCE
AND CARE

TECHNICAL
SPECIFICATIONS

CONTENTS

Side fig. 143

To change the bulb, proceed as follows:

- slide the lens A towards the front of the car to compress the internal clip B, then pull the unit outwards;
- turn the bulb holder C anticlockwise, extract the pressure-fit bulb D and replace it;
- refit the bulb holder C into the lens by turning it clockwise;
- refit the unit making sure that the internal clip B clicks into place.

FRONT FOG LIGHTS

(for versions/markets, where provided)

To replace the bulb:

- loosen the screw A-fig.144 and remove the protection template B;

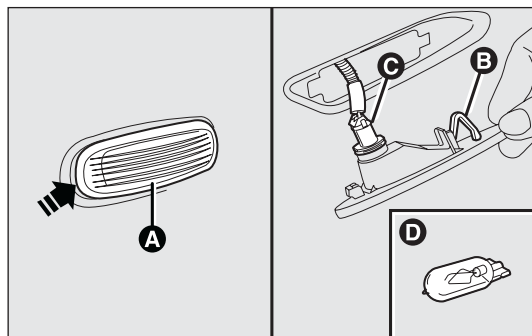


fig. 143

FOU145Ab

- loosen the fixing screws C and remove the headlamp;
- remove the bulb A-fig.145 by rotating it anticlockwise and disconnect the electrical connector.

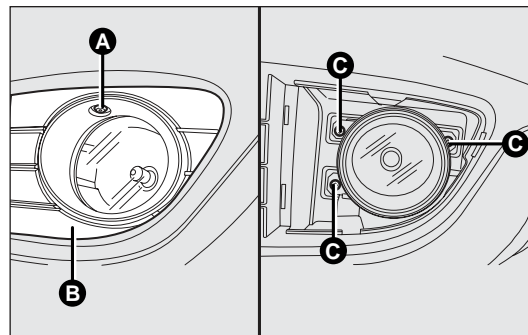


fig. 144

FOU147Ab

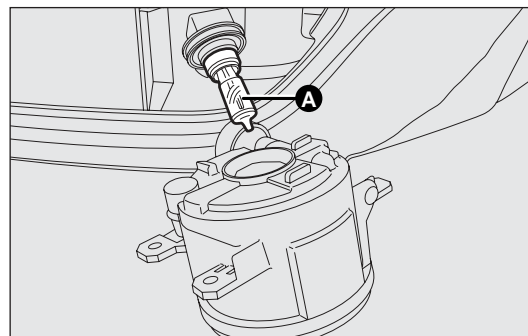


fig. 145

FOU146Ab

REAR LIGHT CLUSTERS

The rear light clusters contain side light (LED), brake light and direction indicator bulbs.

The bulbs are arranged inside the light cluster fig. 146 as follows:

D direction indicators

E brake lights

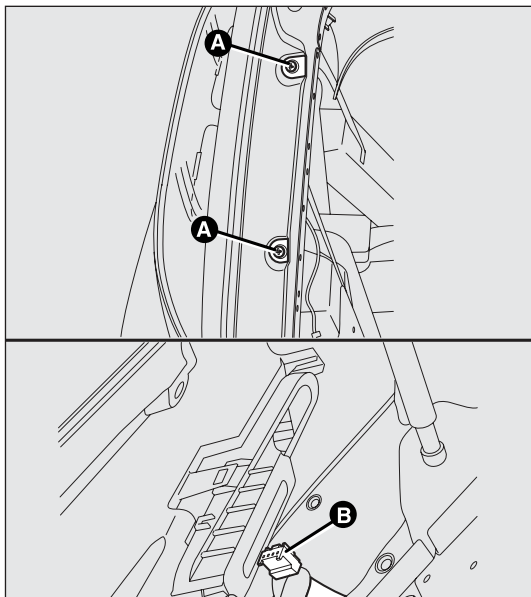


fig. 146

FOU148Ab

To change a bulb proceed as follows:

- undo both fixing screws A-fig 146;
- disconnect the central electric connector B and pull the lens unit outwards;
- detach the bulb holder by unclipping the fasteners C-fig. 147;
- remove the bulb by pushing it in gently and turning anticlockwise (“bayonet” fitting), then replace it;

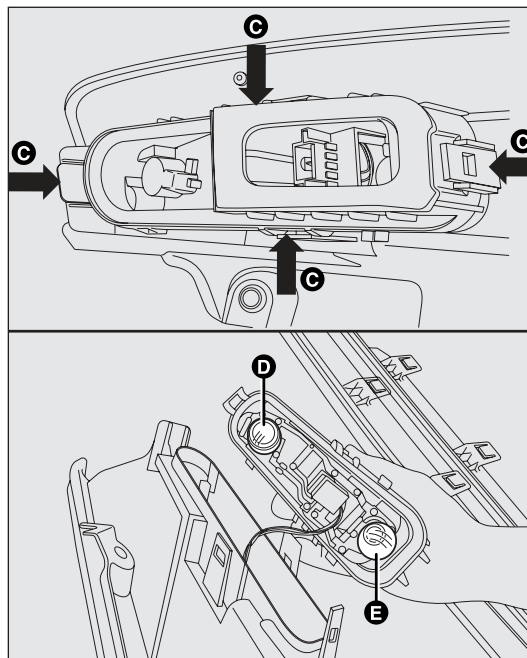


fig. 147

FOU149Ab

KNOWING
YOUR VEHICLE

SAFETY

STARTING
AND DRIVING

WARNING LIGHTS
AND MESSAGES

**IN AN
EMERGENCY**

MAINTENANCE
AND CARE

TECHNICAL
SPECIFICATIONS

CONTENTS

- refit the bulb holder;
- reconnect the electric connector, correctly realign the unit with the car body and then tighten the fixing screws A.

IMPORTANT To replace the LED side lights you must contact an Abarth Dealership.

REAR FOG LIGHTS fig. 148

Contact an Abarth Dealership to have bulbs for the rear fog lights A replaced.

REVERSE LIGHTS fig. 148

Contact an Abarth Dealership to have bulbs for the reverse lights B replaced.

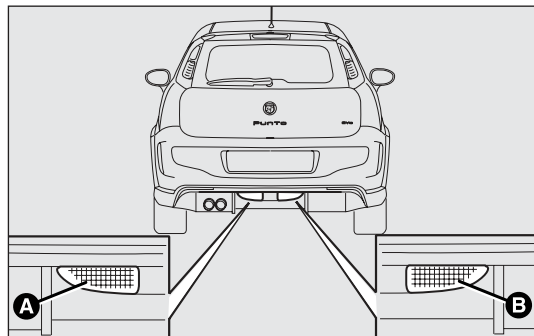


fig. 148

FOU150Ab

THIRD BRAKE LIGHTS fig. 149

To change the bulb proceed as follows:

- open the boot;
- remove the rubber caps;
- press in the catches and remove the lens unit C;
- disconnect the electric connector;
- press in the tabs D and remove the bulb holder;
- remove the press-fitted bulb and replace it.

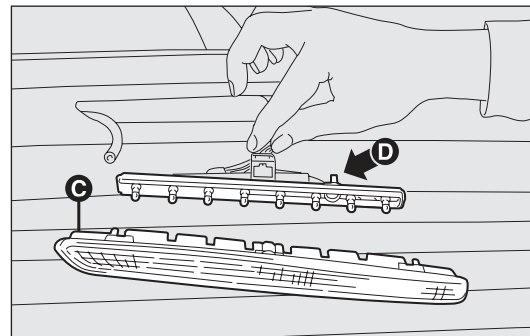


fig. 149

FOU151Ab

NUMBER PLATE LIGHTS

To change the bulb proceed as follows:

- ❑ act on the point shown by the arrow and remove the lens unit A-fig. 150;

- ❑ change the bulb fig.151 by releasing it from the side contacts and making sure that the new bulb is correctly fastened between these contacts;
- ❑ refit the snap-fitted lens unit.

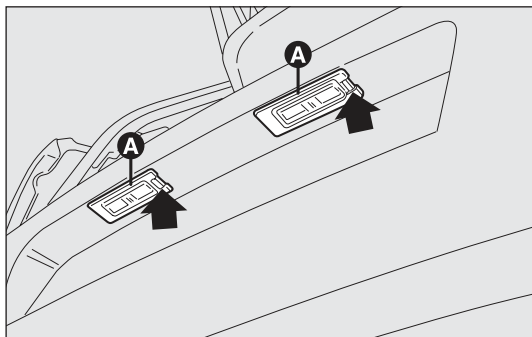


fig. 150

F0U152Ab

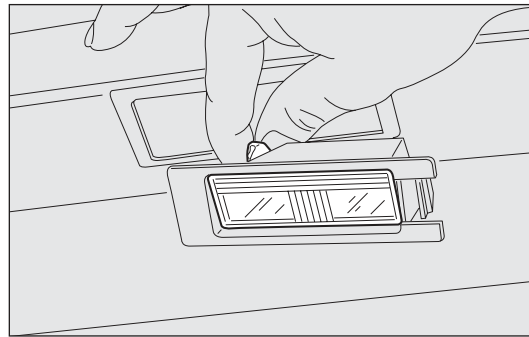


fig. 151

F0U153Ab

KNOWING
YOUR VEHICLE

SAFETY

STARTING
AND DRIVING

WARNING LIGHTS
AND MESSAGES

**IN AN
EMERGENCY**

MAINTENANCE
AND CARE

TECHNICAL
SPECIFICATIONS

CONTENTS

INTERNAL BULB REPLACEMENT

For the type of bulb and relevant power rating, see “Changing a bulb”.

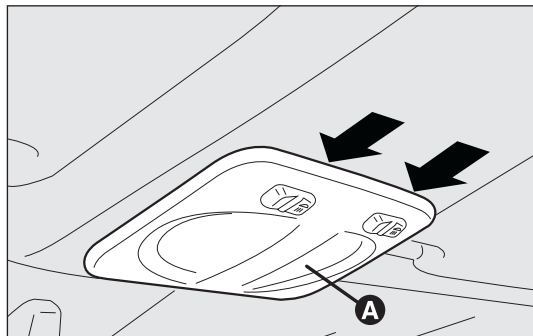


fig. 152

FOU154Ab

FRONT COURTESY LIGHT

Proceed as follows to replace the bulbs:

- act on the points shown by the arrows and remove light A-fig. 152;
- open the protective flap B-fig 153;
- replace bulbs C-fig. 153 by releasing them from the side contacts and making sure that new bulbs are correctly locked between these contacts;
- close the flap B-fig. 153 and fix the courtesy light A-fig. 152 in its housing, making sure it is locked correctly.

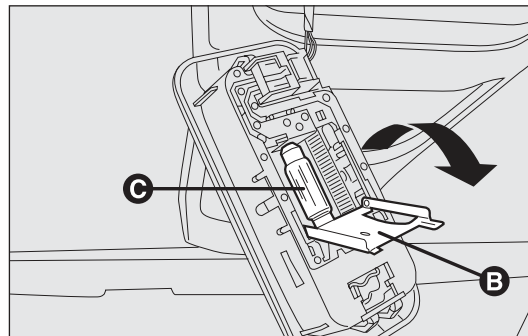


fig. 153

FOU155Ab

BOOT LIGHT fig. 154

To change the bulb, proceed as follows:

- open the boot;
- remove the light A by levering on the point shown by the arrow.
- open the protective cover B and replace the press-fitted bulb;
- re-close the protective cover B over the lens;
- refit the light A by inserting it in its correct position firstly on one side and then on the other until it clicks into place.

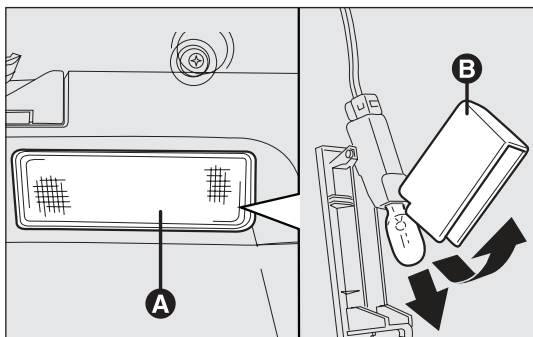


fig. 154

F0U156Ab

REPLACING FUSES

GENERAL INFORMATION

Fuses protect the electric system: they cut in (i.e. they blow) in the event of a failure or improper action on the system.

Check the state of the corresponding fuse when a device does not work: the filament A-fig. 155 must be intact. If it is, replace the blown fuse with another with the same amperage (same colour).

B intact fuse;

C fuse with damaged filament.

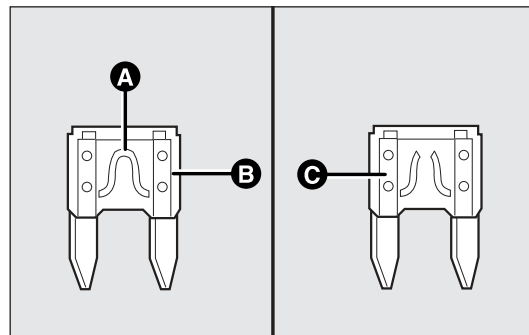


fig. 155

F0U159Ab

KNOWING
YOUR VEHICLE

SAFETY

STARTING
AND DRIVING

WARNING LIGHTS
AND MESSAGES

IN AN
EMERGENCY

MAINTENANCE
AND CARE

TECHNICAL
SPECIFICATIONS

CONTENTS

**WARNING**

Should the fuse blow again, contact an Abarth Dealership.



Never replace a blown fuse with metal wires or other materials.

**WARNING**

Never replace a fuse with one that has a higher amperage: FIRE HAZARD.

**WARNING**

If a general protection fuse (MEGA-FUSE, MIDI-FUSE, MAXI-FUSE) blows, contact an Abarth Dealership.

**WARNING**

Before replacing a fuse, make sure that the ignition key has been removed and that all the other services are switched off and/or disengaged.

**WARNING**

If a general protection fuse for safety systems (air bag system, braking system), power unit systems (engine system, transmission system) or steering system blows, contact an Abarth Dealership.

FUSE LOCATION

The fuses are grouped in three control units: on the dashboard, in the engine compartment and in the left side of the boot.

Dashboard fuse box fig. 157

To access the dashboard fuse box, loosen the screws A-fig. 156 and remove the cover.

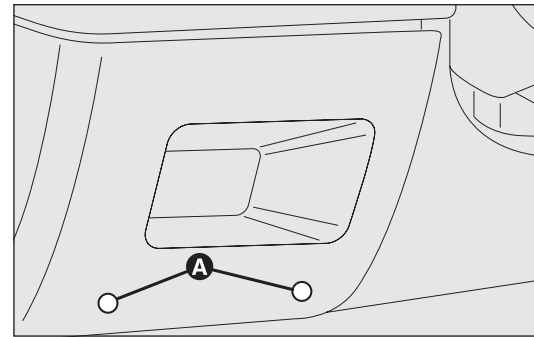


fig. 156

FOU160Ab

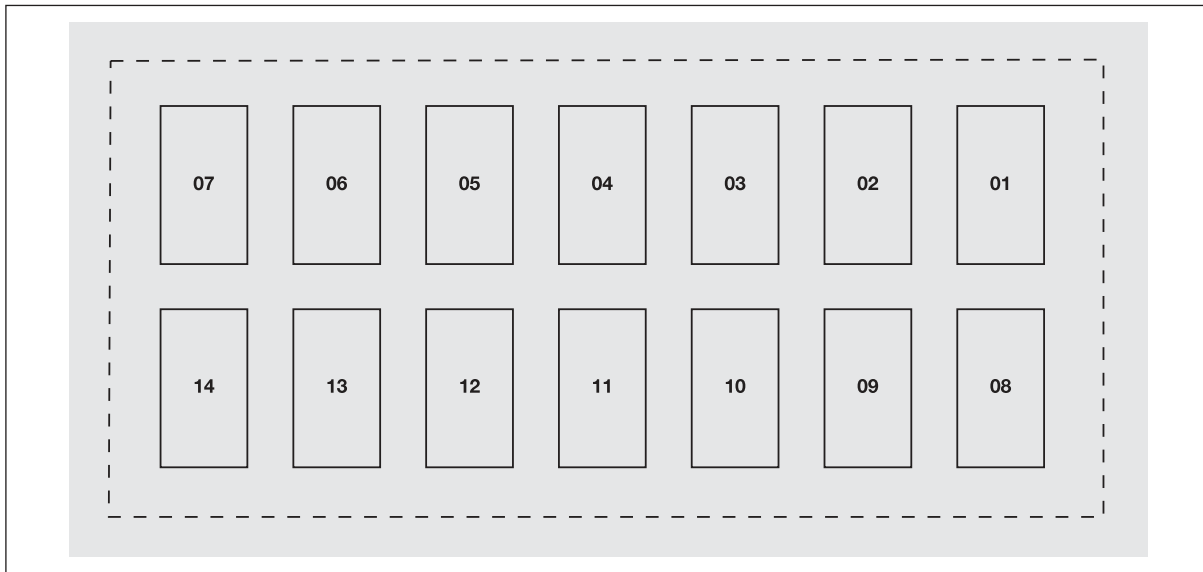


fig. 157

FOU161Ab

KNOWING
YOUR VEHICLE

SAFETY

STARTING
AND DRIVING

WARNING LIGHTS
AND MESSAGES

**IN AN
EMERGENCY**

MAINTENANCE
AND CARE

TECHNICAL
SPECIFICATIONS

CONTENTS

Engine compartment fusebox fig. 159

To access the fuse box located next to the battery, remove the protective cover fig. 158 acting on the points indicated by the arrow.

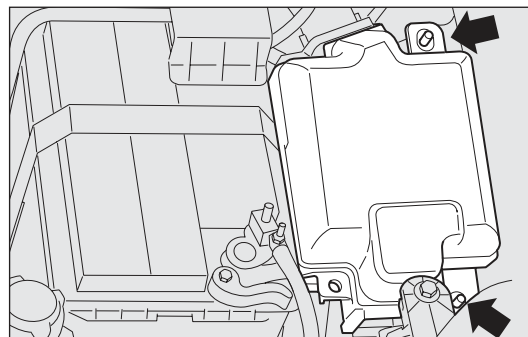


fig. 158

FOU162Ab

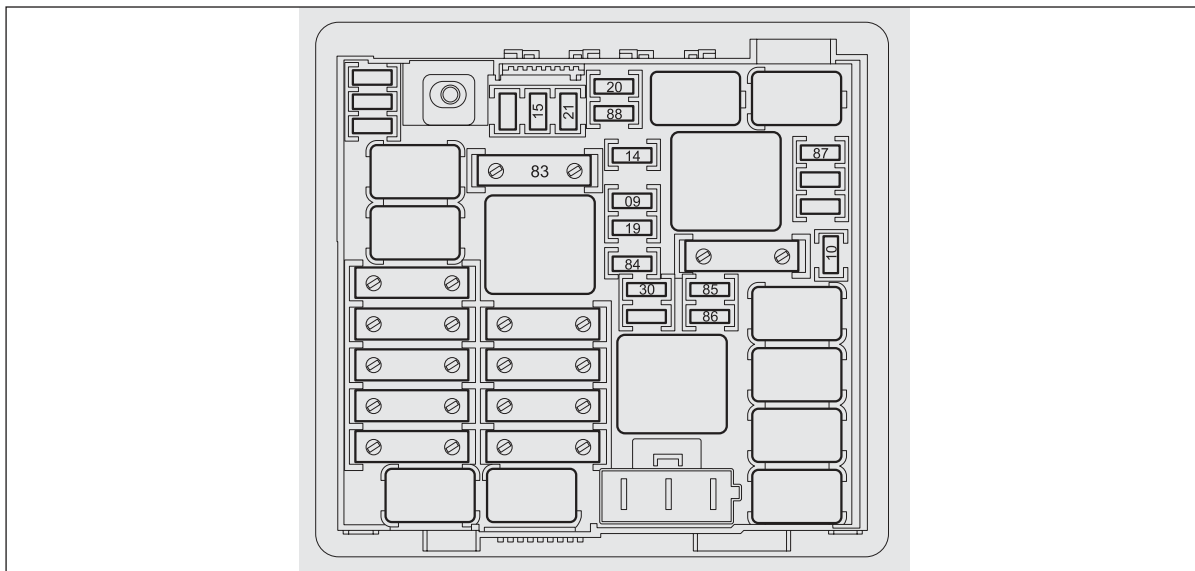


fig. 159

FOU163Ab

Boot fuse box fig. 161

To gain access to the fuse box located on the left side of the boot, open the relevant inspection flap (as shown in fig. 160).

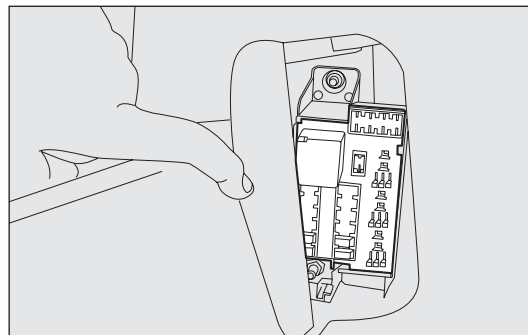


fig. 160

FOU164Ab

KNOWING
YOUR VEHICLE

SAFETY

STARTING
AND DRIVING

WARNING LIGHTS
AND MESSAGES

**IN AN
EMERGENCY**

MAINTENANCE
AND CARE

TECHNICAL
SPECIFICATIONS

CONTENTS

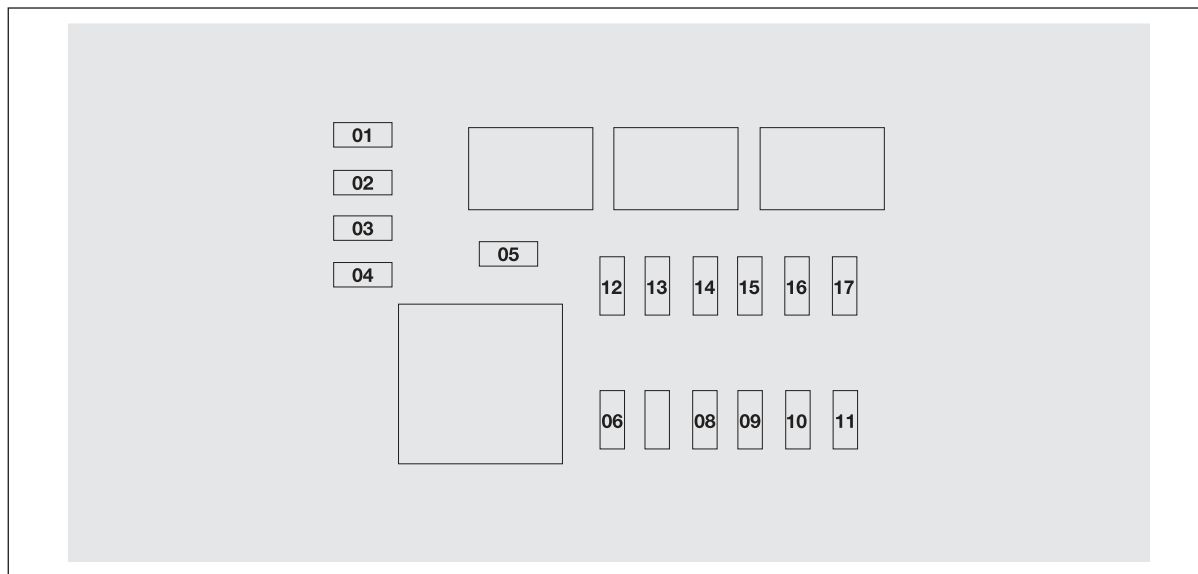


fig. 161

FOU165Ab

KNOWING
YOUR VEHICLE**FUSE SUMMARY TABLE****Dashboard fuse box fig. 157**

SAFETY

STARTING
AND DRIVINGWARNING LIGHTS
AND MESSAGES**IN AN
EMERGENCY**MAINTENANCE
AND CARETECHNICAL
SPECIFICATIONS

CONTENTS

USERS	FUSE	AMPERE
Right dipped headlamp	1	7.5
Left dipped beam headlight, headlight alignment corrector	8	7.5
INT/A supply for switch coils on engine fuse box and relay switch coils on body computer control unit	13	5
Courtesy light, boot light, glove compartment light	2	5
Supply and battery for EOBD diagnosis, automatic climate control unit, alarm, radio, Blue&Me™ control unit	5	10
INT supply for instrument panel, switch on brake pedal (NO contact), third brake light	11	5
Door locking/unlocking motors, dead lock activation motors, boot unlocking motor	4	20
Windscreen/rear window washer pump	6	20
Driver's front electric window motor	14	20
Passenger side front electric window motor	7	20
INT supply for dashboard control lights, TPMS tyre pressure measurement control unit, electric wing mirror movement, sunroof control unit, my-port infotematic system socket, electrochromic rear view mirror	12	5
Instrument panel	3	5
INT supply for brake pedal switch (NC contact), clutch pedal switch, interior heating unit, Blue&Me™ control unit, sound system wiring, voltage stabiliser control unit, reverse light on bumper, brake servo sensor, relay switch coils on engine compartment fusebox	10	7.5

Engine compartment fusebox fig. 159

USERS	FUSE	AMPERE
Hi-Fi sound system with radio, control unit and subwoofer	09	20
Horn	10	10
Left main beam headlamp, right main beam headlamp	14	15
Air climate control compressor	19	7.5
Heated rear window	20	30
Fuel pump on tank	21	15
Left fog light, right fog light	30	15
Socket (set-up)	85	–
Passenger compartment socket, cigar lighter	86	15
Battery charge status sensor	87	5
Demister on driver-side door mirror, demister on passenger-side door mirror	88	7.5

KNOWING
YOUR VEHICLE

SAFETY

STARTING
AND DRIVING

WARNING LIGHTS
AND MESSAGES

**IN AN
EMERGENCY**

MAINTENANCE
AND CARE

TECHNICAL
SPECIFICATIONS

CONTENTS

Boot fuse box fig. 161**USERS****FUSE****AMPERE**

Sunroof opening system

17

20

Alarm system management control unit

14

7.5

Free

01

–

Free

03

–

Free

04

–

Free

15

–

Free

16

–

Free

08

–

Free

07

–

Boot socket

05

15

TPMS (tyre pressure monitoring system) control unit

13

5

Free

09

–

Free

06

–

Free

02

–

KNOWING
YOUR VEHICLE

SAFETY

STARTING
AND DRIVINGWARNING LIGHTS
AND MESSAGES**IN AN
EMERGENCY**MAINTENANCE
AND CARETECHNICAL
SPECIFICATIONS

CONTENTS

BATTERY RECHARGING

IMPORTANT The battery recharging procedure is given as information only. It is advisable to contact an Abarth Dealership to have this operation performed.

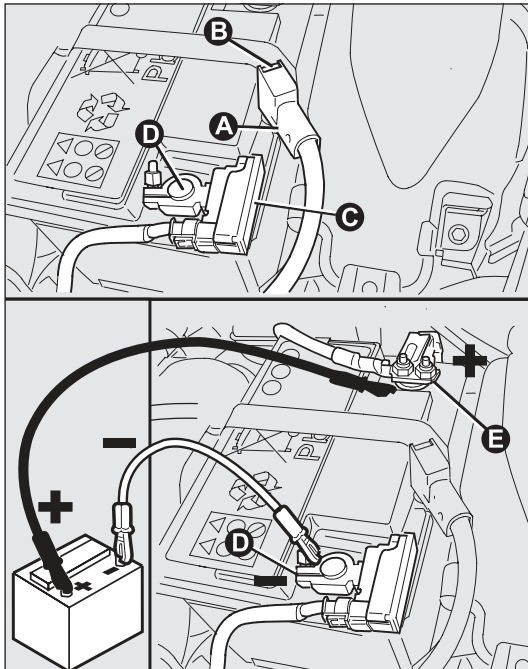


fig. 162

F0U166Ab

We recommend recharging the battery slowly for approximately 24 hours at low amperage. Rapid battery charging with high currents could damage the battery.

To charge, proceed as follows:

- proceed as follows: detach the connector A-fig. 162 (by pressing button B) from sensor C for monitoring the status of the battery installed on the negative battery pole D;
- connect the positive cable to the positive battery terminal E and the negative terminal to the sensor D as shown in the figure;
- turn on the charger. Turn the device off after recharging;
- after having disconnected the recharging device, reconnect the connector A to the sensor C as shown in the figure.

KNOWING
YOUR VEHICLE

SAFETY

STARTING
AND DRIVING

WARNING LIGHTS
AND MESSAGES

**IN AN
EMERGENCY**

MAINTENANCE
AND CARE

TECHNICAL
SPECIFICATIONS

CONTENTS

**WARNING**

Battery fluid is poisonous and corrosive: avoid contact with your skin and eyes. The battery recharging operation must be performed in a ventilated place, away from naked flames or possible sources of sparks to avoid the risk of explosion and fire.

**WARNING**

Don't try to recharge a frozen battery: If freezing has occurred, the battery should be checked by skilled personnel to make sure that the internal elements are not damaged and that the body is not cracked, with the risk of leaking poisonous and corrosive acid.

JACKING THE CAR

If the vehicle needs to be raised, go to an Abarth Dealership which is equipped with arm lifts and workshop lifts.

Lift the car only by positioning the ends of the jack arms or the workshop lift at the points shown in fig. 163 corresponding to symbols ▼ indicated on the side skirts.

IMPORTANT Take care not to damage the side skirts when lifting the car with the workshop lift.

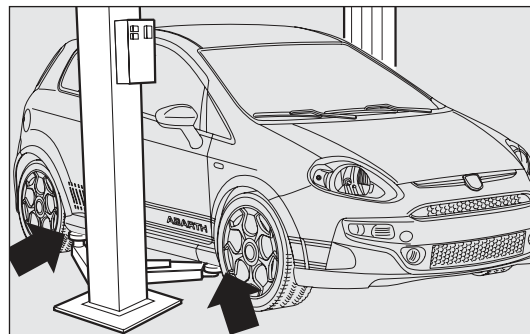


fig. 163

FOU167Ab

TOWING THE CAR

The tow ring provided with the car is housed in the tool box under the carpet in the boot.

FASTENING THE TOW RING

fig. 164-165

Proceed as follows:

- release the cap A;
- take the tow ring B from its support;
- fully tighten the ring on the rear or front threaded pin.

KNOWING
YOUR VEHICLE

SAFETY

STARTING
AND DRIVING

WARNING LIGHTS
AND MESSAGES

IN AN
EMERGENCY

MAINTENANCE
AND CARE

TECHNICAL
SPECIFICATIONS

CONTENTS

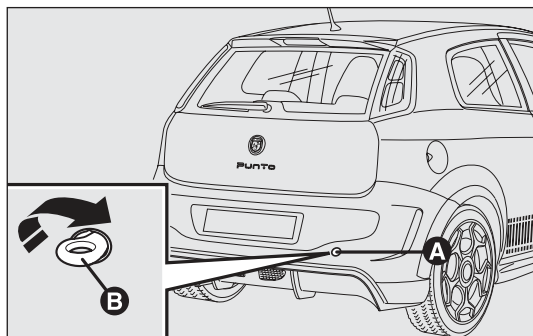


fig. 164

FOU168Ab

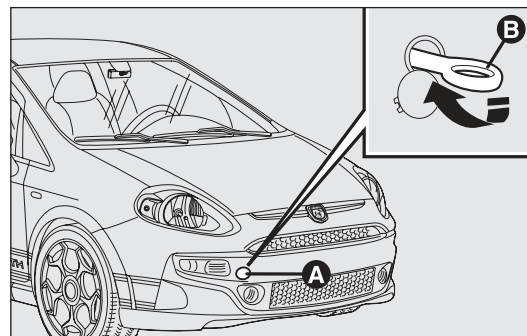


fig. 165

FOU169Ab

**WARNING**

The power brakes and power steering will not operate while the vehicle is being towed. More effort on the brake pedal and steering wheel will therefore be required. Do not use flexible cables when towing and avoid jerky movements. While towing, make sure not to damage parts in contact with the car. When towing the vehicle, be sure to respect the specific rules of the highway code in relation to the towing device and the behaviour to maintain on the road.

**WARNING**

During towing, do not start the engine.

**WARNING**

Clean the threaded housing thoroughly before fastening the tow ring. Make sure that the ring is securely fastened before towing the car.



WARNING

Before towing, switch off the steering lock (see “Starting device” paragraph in the “Knowing your car” section). The power brakes and power steering will not operate while the vehicle is being towed. More effort on the brake pedal and steering wheel will therefore be required. Do not use flexible cables when towing and avoid jerky movements. While towing, make sure not to damage parts in contact with the car. Respect the rules of the highway code when towing the car, specifically in relation to the towing device and road conduct.



WARNING

*The front and rear tow hooks should be used only for emergency operations on the road. You are allowed to tow the car for short distances using an appropriate device in accordance with the highway code (a rigid bar), to move the vehicle on the road in readiness for towing or transporting via a breakdown vehicle. Tow hooks **MUST NOT** be used to tow vehicles off the road or where there are obstacles and/or for towing operations using cables or other non-rigid devices. Respecting the above conditions, towing must take place with the two vehicles (one towing, the other towed) aligned as much as possible along the same centre line.*

KNOWING
YOUR VEHICLE

SAFETY

STARTING
AND DRIVING

WARNING LIGHTS
AND MESSAGES

**IN AN
EMERGENCY**

MAINTENANCE
AND CARE

TECHNICAL
SPECIFICATIONS

CONTENTS

KNOWING
YOUR VEHICLE

SAFETY

STARTING
AND DRIVING

WARNING LIGHTS
AND MESSAGES

**IN AN
EMERGENCY**

MAINTENANCE
AND CARE

TECHNICAL
SPECIFICATIONS

CONTENTS

blank page

MAINTENANCE AND CARE

SCHEDULED SERVICING

Correct servicing is essential in guaranteeing a long life for the car under the best conditions.

This is why Abarth has planned a series of checks and maintenance operations every 15,000 km.

It is, however, important to remember that scheduled servicing does not completely cover all the car's requirements: even in the initial period before 15,000 km, and then subsequently between one service and another, ordinary care is always required such as routine checks involving topping up fluid level, checking tyre pressures etc...

IMPORTANT Scheduled Servicing coupons is specified by the Manufacturer.

Failure to have them carried out may invalidate the warranty.

The services can be carried out by any Abarth Dealership at the appointed times.

If during each operation, in addition to the ones scheduled, the need arises for further replacements or repairs, these may only be carried out with the express agreement of the Customer.

IMPORTANT You are advised to contact an Abarth Dealership in the event of any minor operating faults, without waiting for the next service.

KNOWING
YOUR VEHICLE

SAFETY

STARTING
AND DRIVING



WARNING LIGHTS
AND MESSAGES

IN AN
EMERGENCY

**MAINTENANCE
AND CARE**

TECHNICAL
SPECIFICATIONS

CONTENTS

Thousands of kilometres	15	30	45	60	75	90	105	120	135	150	165	180
Visually inspect the conditions of toothed timing belt				●								●
Check exhaust gas emissions		●		●		●		●		●		●
Check engine control system operation (using diagnosis socket)		●		●		●		●		●		●
Replace accessory drive belt(s)								●				
Replace toothed timing belt (*)								●				
Replace spark plugs  (1)		●		●		●		●		●		●
Replace air filter cartridge				●				●				●
Change engine oil and replace oil filter (or every 12 months)  (2)	●	●	●	●	●	●	●	●	●	●	●	●
Change brake fluid (or every 24 months)				●				●				●
Change pollen filter (or every 15 months)		●		●		●		●		●		●

(*) Regardless of the distance covered, the timing belt should be replaced every 4 years for particularly demanding use (cold climates, city driving, idling for a long time, dusty areas) or, in any case, every 5 years.



- (1) **The following are extremely important to ensure correct operation and prevent serious damage to the engine:**
 - only use spark plugs of the same make and type specially certified for 1.4 Turbo Multi Air engines (see “Engine”);
 - strictly comply with the spark plug replacement interval given in the Scheduled Servicing Plan;
 - it is advisable to contact an Abarth Dealership.
- (2) **If the car is equipped with esseesse kit (for versions/markets, where provided), the engine oil and engine oil filter must be changed every 10,000 km or every 12 months.**

KNOWING
YOUR VEHICLE

SAFETY

STARTING
AND DRIVING

WARNING LIGHTS
AND MESSAGES

IN AN
EMERGENCY

MAINTENANCE
AND CARE

TECHNICAL
SPECIFICATIONS

CONTENTS

PERIODIC CHECKS

Every 1,000 km or before long journeys, check and, if necessary, top up the following:

- engine coolant fluid level;
- brake fluid level;
- windscreen washer fluid level;
- tyre pressure and conditions;
- operation of lighting system (headlights, direction indicators, hazard lights, etc.);
- operation of the windscreen wiper/washer system, position and wear of the windscreen and rear window wiper blades.

Every 3,000 km check and top up if required: engine oil level.

It is advisable to use PETRONAS LUBRICANTS products, designed and produced specifically for Abarth cars (see table “Capacities” in section “Technical Specifications”).

HEAVY USAGE OF THE CAR

Should the car be used predominantly in one of the following particularly demanding conditions:

- dusty roads;
- short distances (less than 7-8 km) and with external temperatures below zero;
- frequently idling engine or long distance low speed driving (e. g. taxis or door-to-door deliveries) or in the case of long term inactivity;
- in cities;

perform the following inspections more frequently than shown on the Scheduled Servicing Plan:

- check front disc brake pad conditions and wear;
- check cleanliness of bonnet and boot locks and linkage cleanliness and lubrication;
- visually inspect the conditions of: engine, gearbox, transmission, pipes and hoses (exhaust – fuel – brakes), rubber parts (boots, sleeves, bushes, etc.);
- check battery charge and liquid level (electrolyte);
- visually inspect condition of accessory drive belts;
- check pollen filter and replace it, if required;
- check air filter and replace, if required.

CHECKING FLUID LEVELS



WARNING

Never smoke while working in the engine compartment: inflammable gases and vapours may be present, constituting a fire risk.



When topping up, take care not to mix up the various types of fluids: they are not compatible with each other and could seriously damage the car.

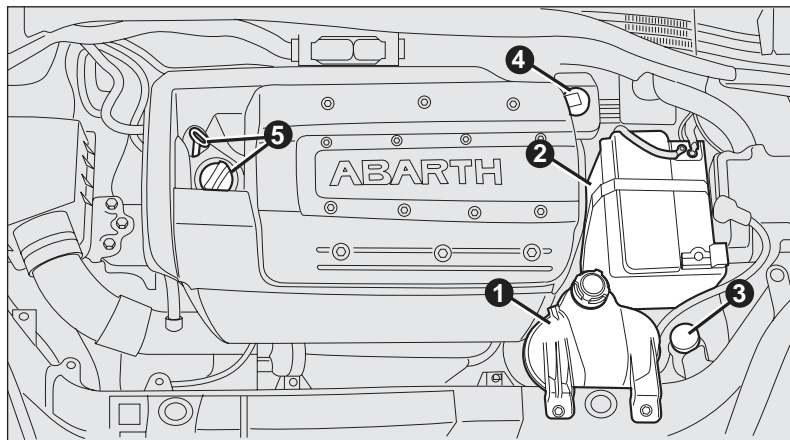


fig. 166

1. Engine coolant – 2. Battery – 3. Windscreen washer fluid – 4. Brake fluid – 5. Engine oil.

KNOWING
YOUR VEHICLE

SAFETY

STARTING
AND DRIVING

WARNING LIGHTS
AND MESSAGES

IN AN
EMERGENCY

MAINTENANCE
AND CARE

TECHNICAL
SPECIFICATIONS

CONTENTS

ENGINE OIL fig. 167

Check the oil level a few minutes (about five) after the engine has stopped, with the car parked on level ground.

Check that the level is within the MIN and MAX marks on the dipstick B.

The range between the MIN. and MAX. marks corresponds to about 1 litre of oil.

If the oil level is near or under the MIN line, add oil through the filler A until it reaches the MAX line.

The oil level should never exceed the MAX line.

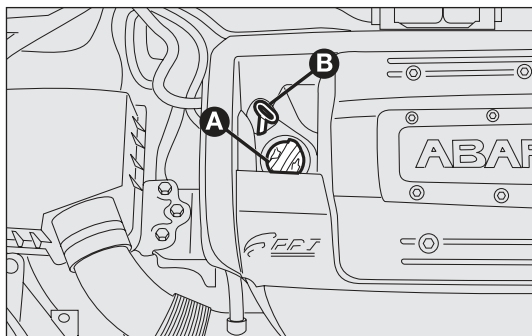


fig. 167

FOU171Ab

ENGINE OIL CONSUMPTION

The maximum engine oil consumption is usually 400 grams every 1000 km.

When the car is new, the engine needs to run in, therefore the engine oil consumption can only be considered stabilised after the first 5,000 - 6,000 km.

IMPORTANT The oil consumption depends on driving style and the car usage conditions.

IMPORTANT After adding or changing the oil, let the engine run for a few seconds and wait a few minutes after switching it off before checking the level.

**WARNING**

When the engine is hot, take care when working inside the engine compartment to avoid burns. Remember that when the engine is hot, the fan may operate: danger of injury. Pay attention to scarves, ties and other loose fitting garments: they may get caught by moving components.



Do not add any oil with different specifications to those of the existing engine oil.



The used engine oil and the replaced oil filter contain substances that may be dangerous for the environment. It is advisable to have oil and filters changed by an Abarth Dealership where they will be disposed in accordance with nature and the law.

ENGINE COOLANT fig. 168

The coolant level must be checked when the engine is cold and must range between the MIN. and MAX. marks on the reservoir.

If the level is low, slowly pour a mixture of 50% demineralised water and 50% PARAFLO^{UP} by PETRONAS LUBRICANTS through the filler neck A until the level reaches MAX.

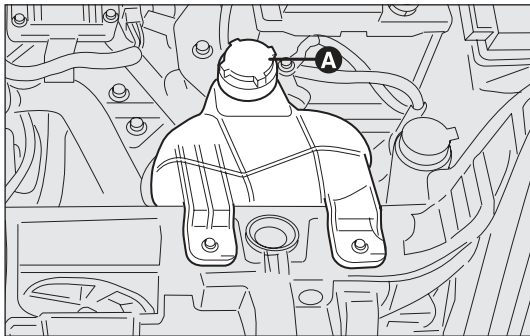


fig. 168

F0U172Ab

A 50-50 mixture of PARAFLO^{UP} and demineralised water gives freeze protection to -35°C.

When the vehicle is used under particularly harsh weather conditions, we recommend using a 60-40 mixture of PARAFLO^{UP} and demineralised water.



PARAFLO^{UP} anti-freeze is used in the engine cooling system. Use the same fluid as in the cooling system when topping up. PARAFLO^{UP} may not be mixed with any other types of fluids. If this accidentally occurs, do not start the engine and contact an Abarth Dealership.



WARNING

The engine cooling system is pressurised. If necessary, only replace the cap with another genuine one or the operation of the system may be adversely affected. Do not remove the cap from the reservoir when the engine is hot: danger of scalding.

KNOWING
YOUR VEHICLE

SAFETY

STARTING
AND DRIVING

WARNING LIGHTS
AND MESSAGES

IN AN
EMERGENCY

MAINTENANCE
AND CARE

TECHNICAL
SPECIFICATIONS

CONTENTS

**WINDSCREEN/REAR WINDOW
WASHER FLUID fig. 169**

To top up, remove the cap A.

Pour a mixture of water and TUTELA PROFESSIONAL SC35, in the following concentrations:

30% TUTELA PROFESSIONAL SC35 and 70% water in summer.

50% TUTELA PROFESSIONAL SC35 and 50% water in winter.

At temperatures below -20°C , use undiluted TUTELA PROFESSIONAL SC35 fluid.

Check level using the reservoir.

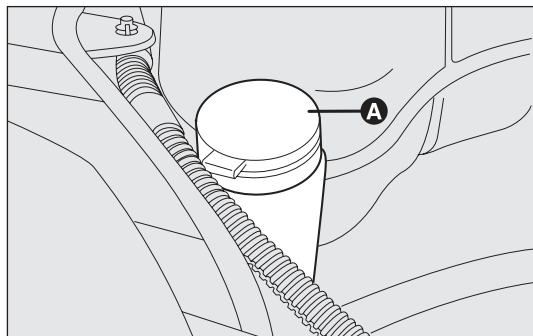


fig. 169

F0U173Ab

**WARNING**

Do not travel with the windscreen washer reservoir empty: the windscreen washer is fundamental for improving visibility.

**WARNING**

Certain commercial additives for windscreen washers are inflammable. The engine compartment contains hot parts which could start a fire on contact.

BRAKE FLUID fig. 170

Undo the cap A and check that the liquid contained in the reservoir is at the maximum level.

Fluid level in the reservoir must not exceed the MAX mark.

Use the brake fluid shown in the “Fluids and lubricants” table (see “Technical Specifications”).

Note Carefully clean the cap of the reservoir A and the surrounding surface.

Take great care that impurities do not enter the reservoir when the cap is opened.

For topping up always use a funnel with integrated filter that has a mesh inferior or equal to 0.12 mm.

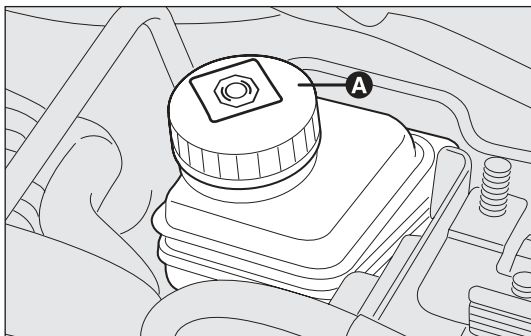


fig. 170

F0U174Ab

IMPORTANT Brake fluid absorbs moisture. For this reason, if the vehicle is mainly used in areas with a high degree of atmospheric humidity, the fluid should be replaced at more frequent intervals than specified in the “Scheduled servicing plan”.



Prevent brake fluid which is highly corrosive from coming into contact with painted parts. Should this occur, immediately wash with water.



WARNING

Brake fluid is poisonous and highly corrosive. In the event of accidental contact, immediately wash the affected parts with water and neutral soap. Then rinse thoroughly. If swallowed call a doctor immediately.

KNOWING
YOUR VEHICLE

SAFETY

STARTING
AND DRIVING

WARNING LIGHTS
AND MESSAGES


IN AN
EMERGENCY

MAINTENANCE
AND CARE

TECHNICAL
SPECIFICATIONS

CONTENTS


**WARNING**

The symbol  on the container indicates a synthetic brake fluid, which is different from a mineral fluid. Use of a mineral type fluids will damage the special rubber seals of the braking system beyond repair.

**WARNING**

Brake fluid is poisonous and highly corrosive. In the event of accidental contact, immediately wash the affected parts with water and neutral soap. Then rinse thoroughly. If swallowed call a doctor immediately.

**WARNING**

The symbol  on the container indicates a synthetic brake fluid, which is different from a mineral fluid. Use of a mineral type fluids will damage the special rubber seals of the braking system beyond repair.

AIR FILTER

Have the air filter replaced by an Abarth Dealership.

POLLEN FILTER

Have the pollen filter replaced by an Abarth Dealership.

BATTERY

The car is fitted with a low-maintenance battery: no top-ups with distilled water are needed in standard conditions of use.

INSPECTING THE CHARGE AND THE ELECTROLYTE LEVEL

The operations must be carried out as described in this Owner Handbook only by skilled personnel. Any top-up operations must be carried out by skilled personnel and by an Abarth Dealership.



WARNING

Battery liquid is poisonous and corrosive. Avoid contact with the skin and eyes. Keep naked flames or possible sources of sparks away from the battery: risk of explosion or fire.



WARNING

Using the battery when the fluid is too low can damage it irreparably and generate a risk of explosion.

CHANGING THE BATTERY

If required, replace the battery with a genuine spare part with the same specifications.

If a battery with different specifications is fitted, the service intervals given in the “Scheduled Servicing Programme” in this chapter will no longer be valid.

Follow the battery manufacturer’s instructions for maintenance.



Incorrect installation of electric and electronic devices may cause severe damage to your car. Contact an Abarth Ford Dealership if you want to install accessories (alarms, mobile phone, etc.): they will suggest the most suitable devices and advise you if a higher capacity battery needs to be installed.

KNOWING
YOUR VEHICLE

SAFETY

STARTING
AND DRIVING

WARNING LIGHTS
AND MESSAGES

IN AN
EMERGENCY

MAINTENANCE
AND CARE

TECHNICAL
SPECIFICATIONS

CONTENTS



Batteries contain substances that can be very dangerous for the environment. It is advisable to have the battery changed by an Abarth Dealership, where it will be disposed of correctly and in accordance with nature and the law.

**WARNING**

If the vehicle must remain unused for a long time at very low temperatures, remove the battery and take it to a warm place to avoid freezing.

**WARNING**

If you have to perform any operation on the battery or near it, always protect your eyes with special goggles.

USEFUL ADVICE FOR EXTENDING THE LIFE OF YOUR BATTERY

To avoid draining your battery and make it last longer, observe the following instructions:

- when you park the car, ensure that the doors, tailgate and flaps are closed properly, to prevent any light from switching on inside the passenger's compartment;
- the courtesy lights must be off. The car is however provided with an automatic system for switching off internal lights;
- do not keep accessories (e.g. sound system, hazard warning lights, etc...) switched on for a long time when the engine is not running;
- before performing any operation on the electric system, disconnect the negative battery cable;
- make sure that the battery terminals are fully tightened.

IMPORTANT If the charge level remains under 50% for a long time, the battery is damaged by sulphation, reducing its capacity and efficiency at start-up.

The battery will also be more at risk of freezing (e.g. already at -10°C). Refer to the paragraph “Car inactivity” in “Starting and driving” if the car is left parked for a long time.

If after buying the car, you want to install electrical accessories which require permanent electrical supply (alarm, etc.) or accessories influencing the electrical supply requirements, contact an Abarth Dealership whose qualified personnel, in addition to suggesting the most suitable devices available in Lineaccessori Abarth, will evaluate the overall electric absorption, checking whether the car’s electric system is capable of withstanding the load required, or whether it should be integrated with a more powerful battery.

Since these devices continue absorbing energy even with the engine off, they gradually run down the battery.

WHEELS AND TYRES

Check the pressure of each tyre, including the space-saver, every two weeks and before long journeys. The pressure should be checked with the tyre rested and cold.

While driving the car, the pressure increases under standard conditions: for the correct tyre inflation pressure, see “Wheels” in the “Technical specifications” chapter.

Incorrect pressure causes abnormal tyre wear fig. 171:

- A normal pressure: tread evenly worn;
- B low pressure: tread particularly worn at the edges;
- C high pressure: tread particularly worn in the centre.

The tyres must be replaced when the tread is less than 1.6 mm thick. In all cases, follow the laws in force in the country where you are driving.

IMPORTANT NOTES

- Avoid braking suddenly, high-powered starts and violent impacts against curbs, potholes or other obstacles if possible. Driving for long stretches over bumpy roads can damage the tyres;

KNOWING
YOUR VEHICLE

SAFETY

STARTING
AND DRIVING

WARNING LIGHTS
AND MESSAGES

IN AN
EMERGENCY

**MAINTENANCE
AND CARE**

TECHNICAL
SPECIFICATIONS

CONTENTS

- check the tyres regularly for cuts on the sides, swelling or irregular tread wear;. Contact an Abarth Dealership if required;
- avoid overloading the car when travelling: this may cause serious damage to the wheels and tyres;
- if a tyre is punctured, stop the vehicle immediately and change it to avoid damage to the tyre, the rim, the suspensions and the steering system;
- a tyre will age even if it is not used much. Cracks in the tread and on the sidewalls are a sign of ageing. Have the tyres checked by skilled personnel if they have been fitted for longer than six years. Also remember to check the space-saver wheel very carefully;
- in case of replacement, always fit new tyres, avoiding those with an unknown origin;
- if a tyre is replaced, also change the inflation valve;
- to allow even wear between the front and rear tyres, it is advisable to change them over every 10-15 thousand kilometres, keeping them on the same side of the car so as not to reverse the direction of rotation.

**WARNING**

Remember that road holding also depends on the correct tyre inflation.

**WARNING**

If the pressure is too low the tyre overheats and this can cause it serious damage.

**WARNING**

**Do not cross switch the tyres, moving them from the right of the car to the left and vice versa.
Never submit alloy rims to repainting treatments requiring the use of temperatures exceeding 150°C.
The mechanical properties of the wheels could be impaired.**

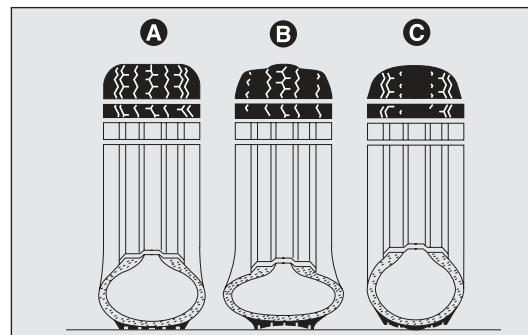


fig. 171

FOU175Ab

RUBBER HOSES

As far as the brake system and fuel rubber hoses are concerned, follow the “Scheduled Servicing Programme” in this chapter carefully.

Ozone, high temperatures and prolonged lack of fluid in the system may cause hardening and cracking of the hoses, with possible leaks.

Careful inspections are therefore necessary.

WINDSCREEN WIPER

BLADES

Periodically clean the rubber part using special products; TUTELA PROFESSIONAL SC 35 is recommended.

Replace the blades if the rubber edge is deformed or worn. In any case, it is advisable to replace them approximately once a year.

A few simple precautions can reduce the possibility of damage to the blades:

- make sure that the rubber part is not stuck to the windscreen at sub-zero temperatures. Use a de-icing product to release it if required;
- remove any snow from the glass: in addition to protecting the blades, this prevents effort from the motor and overheating;
- do not operate the windscreen wipers on dry glass.



WARNING

Driving with worn wiper blades is a serious hazard, because visibility is reduced in bad weather.

KNOWING
YOUR VEHICLE

SAFETY

STARTING
AND DRIVING

WARNING LIGHTS
AND MESSAGES

IN AN
EMERGENCY

MAINTENANCE
AND CARE

TECHNICAL
SPECIFICATIONS

CONTENTS

Replacing the windscreen wiper blades fig. 172

How to remove the blade:

- lift the arm A off the windscreen;
- turn blade B 90° around pin C, located at the end of the wiper arm;
- remove the blade from the pin C.

How to insert the blade:

- fit pin C into the hole located in the middle of the blade B;
- refit the arm with the blade on the windscreen.

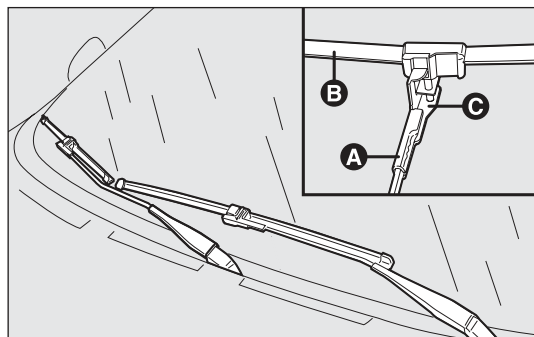


fig. 172

FOU176Ab

Changing the rear window blade fig. 173

Proceed as follows:

- raise the cover A and remove the arm from the car, slackening the nut B that fastens it to the pivot pin;
- position the new arm correctly and tighten the nut;
- lower the cover.

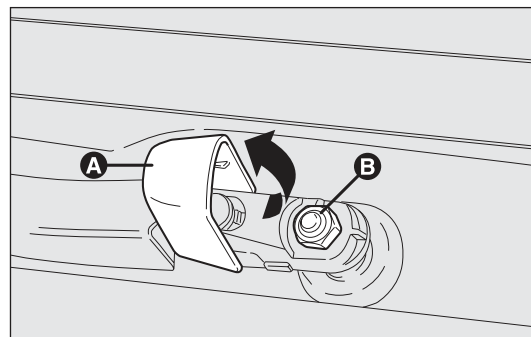


fig. 173

FOU177Ab

SPRAY NOZZLES

Windscreen washer fig. 174

If the jet of fluid is inadequate, firstly check that there is fluid in the reservoir: see “Checking fluid levels” in this chapter).

Then check that the nozzle holes are not clogged; use a needle to unblock them if necessary.

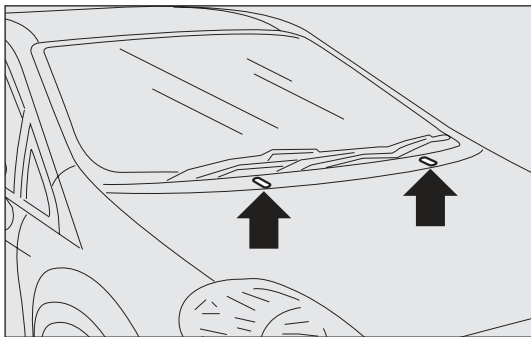


fig. 174

F0U179Ab

Rear window washer fig. 175

Rear window washer jets are fixed.

The nozzle holder is located above the rear window.

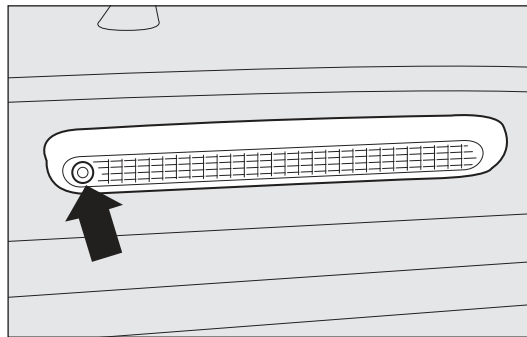


fig. 175

F0U178Ab

KNOWING
YOUR VEHICLE

SAFETY

STARTING
AND DRIVING

WARNING LIGHTS
AND MESSAGES

IN AN
EMERGENCY

**MAINTENANCE
AND CARE**

TECHNICAL
SPECIFICATIONS

CONTENTS

BODYWORK

PROTECTION FROM ATMOSPHERIC AGENTS

The main causes of corrosion are the following:

- atmospheric pollution;
- salty air and humidity (coastal areas, or hot humid climates);
- seasonal environmental conditions.

The abrasive action of wind-borne atmospheric dust and sand, as well as mud and gravel raised by other cars is also not to be underestimated.

Abarth has used the best manufacturing technologies on your car to effectively protect the bodywork against corrosion.

These include:

- painting products and systems which give the car particular resistance to corrosion and abrasion;
- use of galvanised (or pretreated) steel sheets, with high resistance to corrosion;
- spraying the underbody, engine compartment, internal wheel housing parts and other parts with highly protective wax products;
- spraying of protective plastic material in the more exposed points: underdoor, inner mudguard parts, edges, etc...
- Use of “open” boxed sections to prevent condensation and pockets of moisture which could cause rust inside.

BODY AND UNDERBODY WARRANTY

Your car is covered by warranty against perforation due to rust of any original element of the structure or body.

For the general terms of this warranty, refer to the Warranty Booklet.

ADVICE FOR PRESERVING THE BODYWORK

Paint

Paintwork does not only serve an aesthetic purpose, but also protects the underlying sheet metal.

Touch up abrasions and scratches immediately to prevent rust formation. Use only original paint products for touch-ups (see “Bodywork paint identification plate” in the “Technical specifications” section).

Normal maintenance of paintwork consists in washing the car: the frequency depends on the conditions and environment where the car is used. For example, in highly polluted areas, or if the roads are sprayed with salt, it is wise to wash the car more frequently.

To correctly wash the vehicle, proceed as follows:

- remove the aerial from the roof to prevent damage to it if the car is washed in an automatic system;
- wash the body using a low pressure jet of water;
- wipe a sponge with a slightly soapy solution over the bodywork, frequently rinsing with the sponge;
- rinse well with water and dry with a jet of air or a chamois leather.

Dry the less visible parts, such as the door frames, bonnet and the headlight frames with special care, as in these areas water may stagnate more easily. The car should not be taken to a closed area immediately, but left outside so that residual water can evaporate.

Do not wash the car after it has been left in the sun or with the bonnet hot: this may alter the shine of the paintwork. Exterior plastic parts must be cleaned in the same way as the rest of the car.

Where possible, do not park under trees; the resinous substance that many species release give the paint a dull appearance and increase the possibility of triggering rusting processes.

IMPORTANT Bird droppings must be washed off immediately and thoroughly as the acid they contain is particularly aggressive.



Detergents pollute the environment. The vehicle should be washed in areas equipped for collecting and cleaning the liquid used in the washing process.

KNOWING
YOUR VEHICLE

SAFETY

STARTING
AND DRIVING

WARNING LIGHTS
AND MESSAGES

IN AN
EMERGENCY

**MAINTENANCE
AND CARE**

TECHNICAL
SPECIFICATIONS

CONTENTS

Glasses

To clean glasses, use specific window cleaner products. Also use clean cloths to avoid scratching the glass or altering the transparency.

IMPORTANT Wipe the rear window inside gently with a cloth in the direction of the filaments to avoid damaging the heating device.

Engine compartment

Wash the engine compartment thoroughly at the end of every winter. Be careful not to direct the jet of water onto electronic control units. Adequately protect the upper air vents to prevent damage to the windscreen wiper motor. Have this operation performed at a specialised workshop.

IMPORTANT The washing should take place with the engine cold and the ignition key in the STOP position. After the washing operation, make sure that the various protections (e.g. rubber caps and guards) have not been removed or damaged.

Front headlights

IMPORTANT Never use aromatic substances (e.g.: petrol) or ketenes (e.g.: acetone) for cleaning front headlight plastic lens.

INTERIORS

Periodically check that water is not trapped under the mats (due to water dripping off shoes, umbrellas, etc.) which could cause oxidation of the sheet metal.



WARNING

Never use flammable products, such as petrol ether or rectified petrol to clean the inside of the car. The electrostatic charges which are generated by rubbing during the cleaning operation may cause a fire.



WARNING

Do not keep aerosol cylinders in the vehicle: risk of bursting. Aerosol cylinders must not be exposed to a temperature exceeding 50°C. When the car is exposed to sunlight, the internal temperature can greatly exceed this value.

SEATS AND FABRIC PARTS

Remove dust with a soft brush or a vacuum cleaner. It is advisable to use a moist brush on velvet upholstery.

Rub the seats with a sponge moistened with a solution of water and neutral detergent.



The fabric upholstery of your car is designed to withstand normal wear and tear for a long time. Some precautions are however needed. Avoid prolonged rubbing against clothing accessories, such as metal buckles, Velcro strips and the like, which by applying a high pressure on the fabric in a small area could cause the breakage of some threads and damage the upholstery.

LEATHER SEATS

(for versions/markets where provided)

Remove the dry dirt with a buckskin or slightly damp cloth, without exercising too much pressure.

Remove any liquid or grease stains using an absorbent dry cloth, without rubbing. Then clean with a soft cloth or buckskin cloth dampened with water and neutral soap.

If the stain persists, use specific products and observe the instructions carefully.

IMPORTANT Never use alcohol. Make sure that the cleaning products used contain no alcohol or alcohol derivatives, even in small quantities.

KNOWING
YOUR VEHICLE

SAFETY

STARTING
AND DRIVING

WARNING LIGHTS
AND MESSAGES

IN AN
EMERGENCY

**MAINTENANCE
AND CARE**

TECHNICAL
SPECIFICATIONS

CONTENTS

KNOWING
YOUR VEHICLE

SAFETY

STARTING
AND DRIVING

WARNING LIGHTS
AND MESSAGES

IN AN
EMERGENCY

**MAINTENANCE
AND CARE**

TECHNICAL
SPECIFICATIONS

CONTENTS

INTERIOR PLASTIC PARTS

It is advisable to clean interior plastic parts with a microfibre cloth, if possible, moistened with a solution of water and non-abrasive mild soap. Use specific products for cleaning plastic, without solvents and specifically designed to prevent damage to the appearance and colour of the treated parts to remove grease and tough stains.

Remove dust using a microfibre cloth, if necessary moistened with water. The use of paper tissues is not recommended as these may leave residues.

IMPORTANT Never use alcohol or petroleum to clean the instrument panel.

REAL LEATHER STEERING WHEEL/GEAR LEVER KNOB

These components must be cleaned with mild soap and water only.

Never use alcohol and/or alcohol-based products.

Before using off-the-shelf products designed for cleaning vehicle interiors, make sure that they do not contain alcohol and/or alcohol-based substances.

If window cleaner accidentally drips onto the steering wheel or gear lever knob, wipe away immediately and then wash the affected area with mild soap and water.

IMPORTANT Be careful when using a steering wheel lock device, where applicable, to prevent damaging the leather upholstery by rubbing.

TECHNICAL SPECIFICATIONS

IDENTIFICATION DATA

We recommend taking note of the identification codes. The following identification codes are printed and shown on the plates:

- Vehicle identification number (VIN) plate.
- Chassis marking.
- Bodywork paint identification plate.
- Engine marking.

IDENTIFICATION DATA PLATE

fig. 176

The data plate is located on the left side of the boot floor and it bears the following identification data:

- B Type-approval number
- C Vehicle type identification code
- D Chassis number
- E Maximum authorised weight of vehicle fully laden
- F Maximum authorised weight of vehicle fully laden plus trailer.
- G Maximum permitted weight on first (front) axle

- H Maximum allowed weight on second axle (rear)
- I Engine type
- L Bodywork version code
- M Number for spare parts

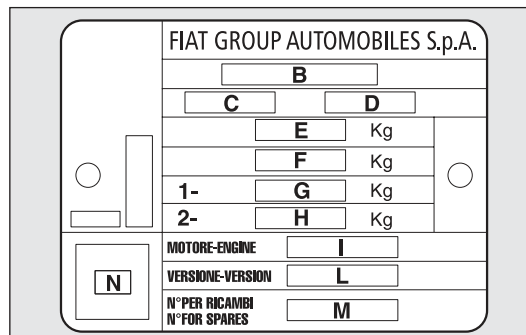


fig. 176

FOU180Ab

KNOWING
YOUR VEHICLE

SAFETY

STARTING
AND DRIVING

WARNING LIGHTS
AND MESSAGES

IN AN
EMERGENCY

MAINTENANCE
AND CARE

**TECHNICAL
SPECIFICATIONS**

CONTENTS

**BODYWORK PAINT IDENTIFICATION
PLATE fig. 177**

The plate is applied on the external tailgate post (left side) and it bears the following data:

- A Paint manufacturer
- B Colour name
- C Colour code
- D Respray and touch-up colour code

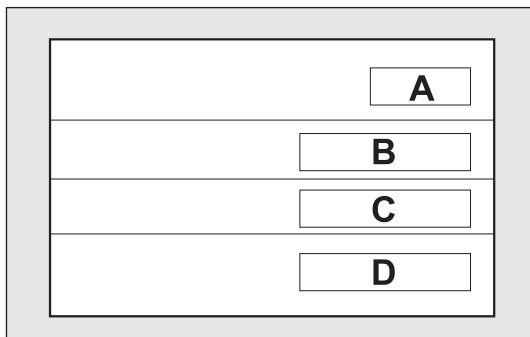


fig. 177

FOU181Ab

CHASSIS MARKING fig. 178

This is printed on the passenger compartment floor, near the front right seat.

- vehicle model;
- chassis serial number.

ENGINE MARKING

This is stamped onto the cylinder block and shows the type and the manufacture serial number.

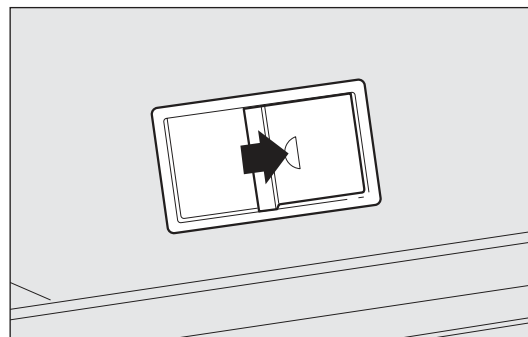


fig. 178

FOU182Ab

ENGINE CODES – BODYWORK VERSIONS

Version	I.4 Turbo Multi Air
Engine code	955A8000
Bodywork version code (4 seats)	I99AXX1B47

ENGINE

Version	I.4 Turbo Multi Air	
Type code	955A8000	
Cycle	Otto	
Number and arrangement of cylinders	4 in line	
Piston bore and stroke	mm	72 x 84
Total displacement	cm ³	1368
Compression ratio	9.8 ± 0.2	
Max power (EEC)	kW	120
	HP	163
at a speed of	rpm	5500
Max. torque (EEC)	NORMAL	SPORT
	Nm	250
	kgm	25.5
at a speed of	rpm	2500
Spark plugs	NGK IKR9F8	
Fuel	Unleaded petrol 95 RON (EN 228 specification)	

KNOWING
YOUR VEHICLE

SAFETY

STARTING
AND DRIVING

WARNING LIGHTS
AND MESSAGES

IN AN
EMERGENCY

MAINTENANCE
AND CARE

**TECHNICAL
SPECIFICATIONS**

CONTENTS

POWER SUPPLY**I.4 Turbo Multi Air**

Supply system

Electronically controlled phased sequential Multipoint electronic injection with turbo and intercooler

**WARNING**

Modifications or repairs to the fuel supply system that are not carried out properly or do not take the system's technical specifications into account can cause malfunctions leading to the risk of fire.

TRANSMISSION**I.4 Turbo Multi Air**

Gearbox

Six forward gears plus reverse with synchronisers for forward gears and reverse

Clutch

Hydraulically-controlled

Traction

Front

BRAKES

Service brakes:	front	self-ventilated discs
	rear	discs
Parking brake		Controlled by hand lever, acting on the rear brakes

IMPORTANT Water, ice and antifreeze salt sprinkled on the roads may deposit on the brake discs reducing braking efficiency the first time the brakes are applied.

SUSPENSION

Front	Independent wheel MacPherson-type with anti-roll bar
Rear	Torsion beam with interconnected wheels

STEERING

Type		Rack and pinion with electric power steering
Turning circle (kerb to kerb)	m	11

KNOWING
YOUR VEHICLE

SAFETY

STARTING
AND DRIVING

WARNING LIGHTS
AND MESSAGES

IN AN
EMERGENCY

MAINTENANCE
AND CARE

TECHNICAL
SPECIFICATIONS

CONTENTS

WHEELS

RIMS AND TYRES

Pressed steel or alloy rims. Radial type tubeless tyres. The vehicle registration document also lists all type-approved tyres.

IMPORTANT In the event of discrepancies between the information provided in this “Owner Handbook” and the “Vehicle registration document”, only the latter is valid.

For safe driving, the car must be fitted with tyres of the same make and type on all wheels.

IMPORTANT Do not use inner tubes in the case of tubeless tyres.

WHEEL GEOMETRY

Total front toe in: $+ 1 \pm 1$ mm

Total rear toe in: $+ 1.7 \pm 2$ mm

The values refer to the car in running order.

READING TYRE CODE fig. 179

Example: 205/45 R17” 88V

205 = Nominal width (S, distance between sidewalls in mm).

45 = Height/width ratio (H/S) in percentage.

R = Radial tyre.

17 = Rim diameter in inches (\emptyset).

88 = Load rating (capacity).

V = Maximum speed index.

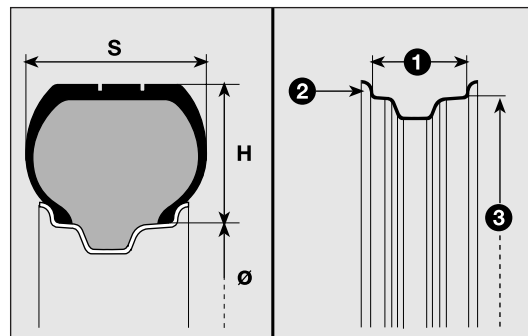


fig. 179

FOU183Ab

Maximum speed index

Q = up to 160 km/h.

R = up to 170 km/h.

S = up to 180 km/h.

T = up to 190 km/h.

U = up to 200 km/h.

H = up to 210 km/h.

V = up to 240 km/h.

W = up to 270 km/h.

Y = up to 300 km/h.

Maximum speed index for snow tyres

QM + S = up to 160 km/h.

TM + S = up to 190 km/h.

HM + S = up to 210 km/h.

Load rating (capacity)

70 = 335 kg

71 = 345 kg

72 = 355 kg

73 = 365 kg

74 = 375 kg

75 = 387 kg

76 = 400 kg

77 = 412 kg

78 = 425 kg

79 = 437 kg

80 = 450 kg

81 = 462 kg

82 = 475 kg

83 = 487 kg

84 = 500 kg

85 = 515 kg

86 = 530 kg

87 = 545 kg

88 = 560 kg

89 = 580 kg

90 = 600 kg

91 = 615 kg

KNOWING
YOUR VEHICLE

SAFETY

STARTING
AND DRIVING

WARNING LIGHTS
AND MESSAGES

IN AN
EMERGENCY

MAINTENANCE
AND CARE

**TECHNICAL
SPECIFICATIONS**

CONTENTS

UNDERSTANDING RIM MARKING fig. 179**Example: 7J x 17 ET39**

- 7 = rim width in inches 1.
 J = rim drop centre outline (side projection where the tyre bead rests) 2.
 17 = rim nominal diameter in inches (corresponds to diameter of the tyre to be mounted) 3 = Ø.
 ET39 = wheel camber (distance between the disc/rim support plane and the wheel rim centre line).

RIM PROTECTORS fig. 180**WARNING**

DO NOT fit wheel hub caps (for versions/markets, where provided) when using integral hub caps fixed (with springs) to the steel rim and after sale tyres provided with Rim Protector. The use of unsuitable tyres and wheel hub caps could cause a sudden pressure loss in the tyre.



fig. 180

FOU195Ab

Version	Rims (**)	Tyres provided
I.4 Turbo Multi Air	6½" x 17-36 7" x 17-39	205/45 R17 88V
	6½" x 17-36 7" x 17-39	215/45 R17 91Y (*)

(*) Tyre not suitable for snow chains

(**) 100 mm wheel stud distance and M12 x 1.5 studs; use only wheels suitable for this car.

COLD TYRE PRESSURE (bar)

Tyres	Medium load		Full load	
	Front	Rear	Front	Rear
205/45 R17 88V	2.4	2.2	2.7	2.4
215/45 R17 91Y	2.3	2.1	2.3	2.3

Add +0.3 bar to the prescribed pressure when the tyres are warm. However, recheck that the value is correct with the tyre cold. With snow tyres, add +0.2 bar to the inflation pressure value prescribed for standard tyres.

When running at speeds higher than 160 km/h, inflate tyres to full-load pressures.

With the TPMS system, the inflation pressure should be + 0.1 compared with the prescribed figure.

KNOWING
YOUR VEHICLE

SAFETY

STARTING
AND DRIVING

WARNING LIGHTS
AND MESSAGES

IN AN
EMERGENCY

MAINTENANCE
AND CARE

**TECHNICAL
SPECIFICATIONS**

CONTENTS

KNOWING
YOUR VEHICLE

DIMENSIONS

Dimensions are expressed in mm and refer to the vehicle equipped with its original tyres.

SAFETY

Height is measured with the vehicle unladen.

STARTING
AND DRIVING

Boot capacity

Capacity with vehicle unladen (VDA standards) 275 dm³

WARNING LIGHTS
AND MESSAGES

Capacity with rear seat and backrest folded over 1,030 dm³

IN AN
EMERGENCY

MAINTENANCE
AND CARE

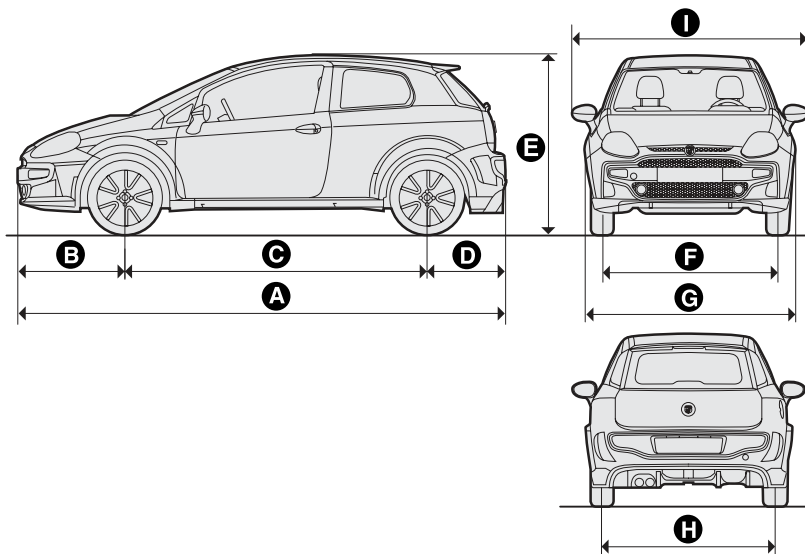


fig. 181

FOU184Ab

Version	A	B	C	D	E	F	G	H	I
1.4 Turbo Multi Air	4065	892	2510	663	1478	1483	1721	1470	1967

IMPORTANT Measurements may vary slightly according to rim/tyre size.

TECHNICAL
SPECIFICATIONS

CONTENTS

PERFORMANCE

Maximum speeds after initial car use, in km/h.

I.4 Turbo Multi Air

213

WEIGHTS

Version

I.4 Turbo Multi Air

Unladen weight (with all fluids, fuel tank filled to 90% and without optional equipment):

1185

Payload (*) including the driver:

480

Maximum permitted loads (**)

– front axle :

950

– rear axle:

850

– total:

1665

Maximum load on roof:

50

(*) If special equipment is fitted, the unladen vehicle weight increases, thus reducing the specified payload.

(**) Loads not to be exceeded. The user is responsible for arranging goods in the luggage compartment and/on load carrying platform within the maximum permitted loads.

IMPORTANT The car is type-approved for towing.

KNOWING
YOUR VEHICLE

SAFETY

STARTING
AND DRIVING

WARNING LIGHTS
AND MESSAGES

IN AN
EMERGENCY

MAINTENANCE
AND CARE

TECHNICAL
SPECIFICATIONS

CONTENTS

CAPACITIES

KNOWING
YOUR VEHICLE

SAFETY

STARTING
AND DRIVING

WARNING LIGHTS
AND MESSAGES

IN AN
EMERGENCY

MAINTENANCE
AND CARE

TECHNICAL
SPECIFICATIONS

CONTENTS

I.4 Turbo Multi Air

Specified fuels and original lubricants

Fuel tank: including a reserve of:	litres litres	45 5 ÷ 7	Unleaded petrol with no less than 95 RON (EN 228 Specification)
Engine cooling system:	litres	6.0	Mixture of 50% water and PARAFLU^{UP} (☐)
Engine sump: Engine sump and filter:	kg kg	2.6 3.0	SELENIA ABARTH 5W-40
Gearbox/differential casing:	kg	1.5	TUTELA TRANSMISSION GEARFORCE
Hydraulic brake circuit:	kg	0.5	TUTELA TOP 4
Windscreen/rear window washer fluid reservoir: litres		2.2	Mixture of water and TUTELA PROFESSIONAL SC 35

(☐) When the vehicle is used in particularly harsh climate conditions, we recommend using a 60-40 mixture of **PARAFLU^{UP}** and distilled water.

FLUIDS AND LUBRICANTS

SPECIFICATIONS AND PRESCRIBED PRODUCTS

Use/Quality	Specifications of fluids and lubricants interval for correct car operation	Genuine fluids and lubricants	Replacement
Engine lubricants	SAE 5W-40 grade totally synthetic lubricant.	SELENIA ABARTH 5W-40 Approval Abarth 0102	According to Scheduled Servicing Programme

The use of lubricants with specifications inferior to ACEA C3 and SAE grade other than 5W-40 could cause damage to the engine not covered by the warranty.

KNOWING
YOUR VEHICLE

SAFETY

STARTING
AND DRIVING

WARNING LIGHTS
AND MESSAGES

IN AN
EMERGENCY

MAINTENANCE
AND CARE

**TECHNICAL
SPECIFICATIONS**

CONTENTS

KNOWING YOUR VEHICLE	Use	Quality specifications of fluids and lubricants for correct car operation	Genuine fluids and lubricants	Applications
SAFETY	Lubricants and greases for drive transmission	SAE 75W-85 grade synthetic base lubricant. FIAT 9.55550-MZ6 certification	TUTELA TRANSMISSION GEARFORCE Contractual Technical Reference N° F0002.F10	Gearbox and mechanical differentials
STARTING AND DRIVING		Molybdenum disulphide grease for high temperatures. FIAT 9.55580 certification. NL.Gl. 1-2 consistency	TUTELA ALL STAR Contractual Technical Reference N° F702.G07	Wheel side constant velocity joints
WARNING LIGHTS AND MESSAGES		Polyurea-based synthetic grease for high temperatures. FIAT 9.55580 certification. NL.Gl. 2 consistency	TUTELA STAR 325 Contractual Technical Reference N° F301.D03	Differential side constant velocity joints
IN AN EMERGENCY	Brake liquid	Synthetic fluid FMVSS n° 116 DOT 4, ISO 4925 SAE J1704, CUNA NC 956- 01. FIAT 9.55597 certification	TUTELA TOP 4 Contractual Technical Reference N° F001.A93	Hydraulic brakes and hydraulically operated clutch
MAINTENANCE AND CARE	Radiator protection	Red protective with antifreeze action, based on inhibited monoethyl glycol with organic formula. Exceeds CUNA NC 956-16, ASTM D 3306 specifications. FIAT 9.55523 certification	PARAFLU^{UP} (*) Contractual Technical Reference N° F101.M01	Cooling circuit. Mixture: 50% water and 50% PARAFLU^{UP} (☐)
TECHNICAL SPECIFICATIONS	Windscreen/ rear screen washer fluid	Mixture of alcohol, water and surfactants CUNA NC 956-II FIAT 9.55522 certification.	TUTELA PROFESSIONAL SC 35 Contractual Technical Reference N° F201.D02	To be used diluted or undiluted in windscreen/rear window washer/ wiper systems

(*) IMPORTANT Do not top up with or mix fluids with different specifications to those described.

(☐) When the vehicle is used in particularly harsh climate conditions, we recommend using a 60-40 mixture of **PARAFLU^{UP}** and distilled water.

FUEL CONSUMPTION

The fuel consumption figures given in the table below are determined on the basis of the type-approval tests set down by relevant European Directives.

The procedures below are followed for measuring consumption:

- urban cycle: cold starting followed by driving that simulates urban use of the car;
- extra-urban cycle: drive simulating the driving of the car out of town with frequent acceleration in all gears; the speed varies from 0 to 120 km/h;
- combined consumption: the weighting is around 37% urban cycle and 63% extra-urban cycle.

IMPORTANT The type of route, traffic situations, weather conditions, driving style, general conditions of the car, trim level/equipment/accessories, load, climate control system, roof rack, other situations that affect air drag may lead to different fuel consumption levels than those measured.

Fuel consumption according to the current European directive (litres x 100 km)

Version	Urban	Extra-urban	Combined
1.4 Turbo Multi Air	8.0	5.0	6.1

KNOWING
YOUR VEHICLE

SAFETY

STARTING
AND DRIVING

WARNING LIGHTS
AND MESSAGES

IN AN
EMERGENCY

MAINTENANCE
AND CARE

**TECHNICAL
SPECIFICATIONS**

CONTENTS

CO₂ EMISSIONS

The CO₂ emission levels given in the following tables refer to combined consumption.

Version**CO₂ emissions
according to the current European directive (g/km)****I.4 Turbo Multi Air**

142

RADIO

INTRODUCTION	222	Manual tuning	245
Suggestions	222	Autostore function	246
Technical specifications	224	Emergency alarm reception	247
QUICK GUIDE	225	EON function	247
Steering wheel controls	228	Stereophonic broadcasters	247
General information	229	CD PLAYER	248
FUNCTIONS AND ADJUSTMENTS	231	Introduction	248
Turning the car radio on	231	CD player selection	248
Turning the car radio off	231	CD loading/ejection	249
Selecting the radio functions	231	Display readings	250
Selecting CD function	231	Track selection	250
Audio source memory function	231	Fast forward/rewind through tracks	250
Volume adjustment	232	Pause function	250
Mute/Pause function	232	CD MP3 PLAYER	251
Audio adjustments	233	Introduction	251
Preset/User/Classic/Rock/Jazz functions	235	MP3 mode	251
User Eq Settings function	235	Selection of MP3 sessions with hybrid discs	251
Menu	236	Display readings	252
Phone set-up	242	Selection of next/previous folder	252
Anti-theft protection	243	Folder structure	252
RADIO (Tuner)	244	AUX (only with Blue&Me™).....	253
Introduction	244	Introduction	253
Selecting a frequency band	244	AUX mode	253
Preselection buttons	245	TROUBLESHOOTING	254
Storing the last station listened to	245		
Automatic tuning	245		

INTRODUCTION

The radio has been designed according to the passenger compartment's specific characteristics and with a personalised design that complements the style of the dashboard.

The instructions for use are provided below. We recommend that you read them carefully.

SUGGESTIONS

Road safety

Familiarise yourself with the various car radio functions (for example, store the stations) before starting to drive.

Reception conditions

Reception conditions change constantly while driving. Reception may be interfered with by the presence of mountains, buildings or bridges, or when you are far away from the broadcaster.

IMPORTANT When receiving traffic information, the volume may increase above normal levels.



ATTENZIONE

High volume can be a risk for the driver and for other road users. Always adjust the volume so that you can still hear background noise.

Care and maintenance

Clean the cover with a soft antistatic cloth only. Cleaning and polishing products may damage the surface.

CDs

The presence of dirt, scratches or distortions on the CDs may cause skipping while it is playing and poor sound quality. For optimal playback conditions, follow these guidelines:

- only use CDs with the following mark;



- clean every CD thoroughly removing any fingermarks or dust using a soft cloth. Hold CDs by the circumference and clean them from the centre towards the edge;
- never use chemicals (e.g. antistatics or thinners or sprays) for cleaning as they may damage the surface of the CDs;
- after listening place CDs back in their boxes to avoid them from being damaged;
- do not expose CDs to direct sunlight, high temperatures or moisture for long periods;
- do not stick labels on the CD surface or write on the recorded surface with pencils or pens.
- do not use CDs that are very scratched, flawed, distorted, etc. Using discs like these will result in malfunctions or damage to the player;

- The use of original CD media is required for the best quality audio production. Correct operation is not guaranteed when CD-R/RW media are used that were not correctly mastered and/or with a maximum capacity above 650 Mb;
- Do not use commercially available protective sheets for CDs or discs with stabilisers, etc. as they could get stuck in the internal mechanism and damage the disc;
- if a copy-protected CD is used, it may take a few seconds before the system starts to reproduce it. The CD player cannot be guaranteed to play all protected discs. The fact that the CD is protected from being copied is often shown in very small letters or is just legible on the CD cover itself where it may, for example, say "COPY CONTROL", "COPY PROTECTED", "THIS CD CANNOT BE PLAYED ON A PC/MAC", or it may be identified through the use of symbols, such as, for example:



- The CD player is capable of reading most compression systems currently in use (e.g.: LAME, BLADE, XING, FRAUNHOFER) but, following the development of these systems, the reading of all compression formats is not guaranteed.

TECHNICAL SPECIFICATIONS

Basic level audio equipment

Front speakers

- No. 2 x Ø 38 mm tweeters installed in the door handle trims;
- No. 2 x Ø 165 mm mid-woofers installed in the door frames.

Rear speakers

- No. 2 x Ø 130 mm full-range speakers installed in the rear side panels.

High level audio equipment (MP3)

Front speakers

- No. 2 x Ø 38 mm tweeters installed in the door handle trims;
- No. 2 x Ø 165 mm mid-woofers installed in the door frames.

Rear speakers

- No. 2 x Ø 130 mm full-range speakers installed in the rear side panels.

Hi-Fi audio equipment

(for versions/markets, where provided)

Front speakers

- No. 2 x tweeters installed in the door handle trims;
- No. 2 x Ø 165 mm mid-woofers installed in the door frames.

Rear speakers

- No. 2 x Ø 130 mm full-range speakers installed in the rear side panels;
- No. 1 x sub-woofer box in the luggage compartment (RH side);
- No. 1 ASP multichannel audio amplifier installed under the dashboard (passenger side).

QUICK GUIDE

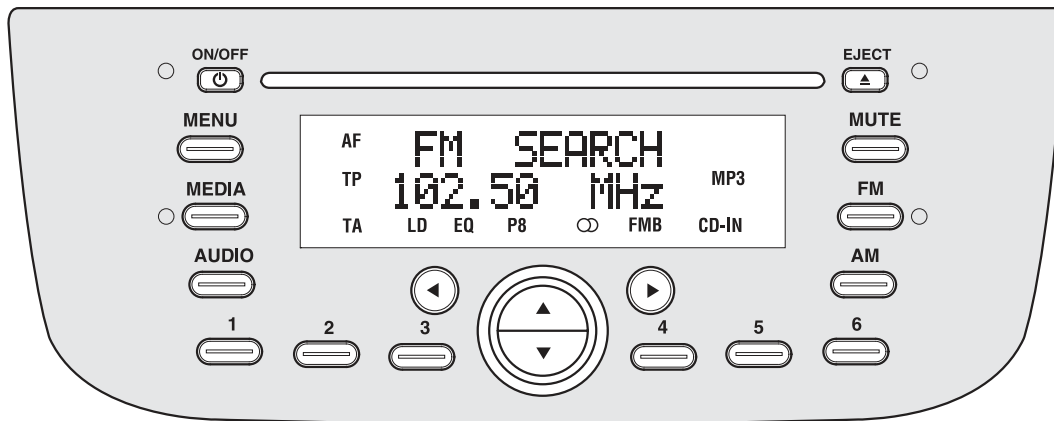
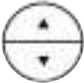
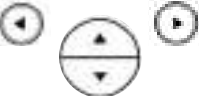




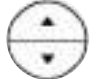
fig. 1

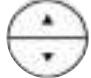

F0U0542m

Button	GENERAL FUNCTIONS	Mode
ON/OFF	On Off	Short button press Short button press
FM	FM1, FM2, FM Autostore radio source selection	Short cyclical button press
AM	MW1, MW2 radio source selection	Short cyclical button press
MEDIA	Selection of CD/Media Player source (only with Blue&Me™)/ AUX (only with Blue&Me™)	Short cyclical button press

Button	GENERAL FUNCTIONS	Mode
MUTE	Volume activation/deactivation (Mute/Pause)	Short button press
AUDIO	Audio adjustments: low tones (BASS), high tones (TREBLE), RH / LH balance (BALANCE), front / rear balance (FADER)	Menu activation: short button press Adjustment type selection: buttons ▲ or ▼ press Value adjustment: buttons ◀ or ▶ press
MENU	Advanced functions adjustment	Menu activation: short button press Adjustment type selection: buttons ▲ or ▼ press Value adjustment: buttons ◀ or ▶ press
	Volume adjustment	Left/right rotation of twist control

Button	RADIO FUNCTIONS	Mode
	Radio station search: - Automatic search - Manual search	Automatic search: pressing buttons ◀ or ▶ (long press for fast forward) Manual search: pressing buttons ▲ or ▼ (long press for fast forward)
1 2 3 4 5 6	Storing the current radio station	Long button press for memory preset 1 to 6 respectively
	Stored station recall	Short button press for memory preset 1 to 6 respectively

Button	CD FUNCTIONS	Mode
 EJECT	CD ejection	Short button press
	Play previous/next track	Short press of buttons ◀ or ▶
	Fast forwarding/rewinding CD track	Long press of buttons ◀ or ▶
	Playing previous/next folder (for CD-MP3)	Short press of buttons ▲ or ▼

Button	Media Player FUNCTIONS (only with Blue&Me™)	Mode
	Selecting previous/next folder/artist/genre/album depending on selected selection mode	Short button press
	Play previous/next track	Short button press

CONTROLS ON THE STEERING WHEEL

(for versions/markets where provided)

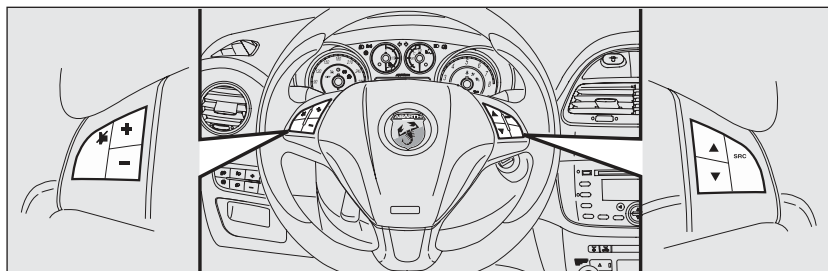


fig. 2

FOU518Ab

Button	FUNCTION	Mode
	AudioMute on/off (Radio mode) or Pause function (MP3 or Media Player mode only with Blue&Me™)	Short button press
+	Increasing volume	Button press
-	Decreasing volume	Button press
SRC	Selection of Radio frequency range (FM1, FM2, FMT, FMA, MW1, MW2) or listening sources (Radio, MP3 or Media Player only with Blue&Me™)/AUX (only with Blue&Me™)	Button press
	Radio: automatic search for next station available CD/CD MP3: select next track.	Button press
	Radio: automatic search for previous station available CD/CD MP3: select previous track	Button press

GENERAL INFORMATION

The radio offers the following functions:

Radio section

- PLL tuning with FM/AM/MW frequency bands;
- RDS (Radio Data System) with TA function (traffic information) - TP (traffic programmes) - EON (Enhanced Other Network) - REG (regional programmes);
- AF: alternative frequency search selection in RDS mode;
- set-up for emergency alarm;
- automatic/manual station tuning;
- FM Multipath detector;
- manual storing of 30 stations: 18 on FM band (6 on FM1, 6 on FM2, 6 on FMT), 12 on MW band (6 on MW1, 6 on MW2);
- automatic storage (Autostore function) of 6 stations in the dedicated FM band;
- SPEED VOLUME function: automatic volume adjustment depending on the car speed;
- automatic Stereo/Mono selection.

CD section

- Direct disc selection;
- Track selection (forward/backward);
- Fast forward/rewind through tracks;
- CD Display function: display of disc name and time elapsed since the start of the track;
- Playing audio CDs, CD-Rs and CD-RWs.



On multimedia CDs, besides audio tracks, there are data tracks too. Playing this type of CD can cause hissing at a volume that may jeopardise road safety as well as causing damage to the final stages and the speakers.

CD MP3 section

- MP3-Info function (ID3-TAG);
- Select folder (previous/next);
- Track selection (forward/backward);
- Fast forward/rewind through tracks;
- MP3 Display function: display of folder name, ID3-TAG information, time elapsed since the start of the track, name of the file);
- Audio or data CD, CD-R and CD-RW playback.

Audio section

- Mute/Pause function;
- Soft Mute function;
- Loudness function;
- 7 band graphic equaliser;
- Separate bass/treble adjustment;
- Right/left channel balance.

**Media Player section
(only with Blue&Me™)**


See the description in the **Blue&Me™** Supplement for the operation of the Media Player.

**AUX section
(only with Blue&Me™)**


- AUX source selection;
- AUX Offset function: alignment of the portable device volume to the one of the other sources;
- Portable player reading.

FUNCTIONS AND ADJUSTMENTS

TURNING THE CAR RADIO ON

The car radio comes on when the  button (ON/OFF) is pressed briefly.

When the car radio is turned on, the volume is limited to a setting of 5 if it had been set higher when used previously.

When the radio is turned on with the key extracted from the ignition switch, it turns off automatically after about 20 minutes. After the radio has switched itself off automatically it can be turned on for a further 20 minutes by pressing the  button (ON/OFF).

TURNING THE CAR RADIO OFF

Briefly press the button  (ON/OFF).

SELECTING THE RADIO FUNCTIONS

By pressing the FM button briefly and repeatedly, the following audio sources can be selected cyclically:

– TUNER (“FM1”, “FM2”, “FMA”).

By pressing the AM button briefly and repeatedly, the following audio sources can be selected cyclically:

– TUNER (“MW1, MW2”).

SELECTING THE CD FUNCTION

By pressing the MEDIA button briefly it is possible to select the CD function.

AUDIO SOURCE MEMORY FUNCTION

If another function is selected whilst listening to a CD (e.g. the radio), playback is interrupted and is resumed from the same point when returning to the CD mode.

If another function is selected whilst listening to the radio, the last station selected is tuned into when returning to the Radio mode.

VOLUME ADJUSTMENT

To adjust the volume, turn the twist control fig. 1.

If the volume level is changed during the transmission of traffic news, the new setting will only be maintained until the news is finished.

MUTE/PAUSE FUNCTION (bringing the volume to zero)

Press the MUTE button briefly to activate the Mute function. The volume will gradually decrease and the words "RADIO Mute" will appear on the display (in radio mode) or "PAUSE" (in CD mode).

Press the Mute button again to deactivate the MUTE function. The volume will gradually increase until it reaches the level previously set.

When the volume is changed using the dedicated controls, the Mute function is deactivated and the volume is adjusted to the new level selected.

The Mute function will be overridden when there is an incoming traffic alert (if the TA function is activated) or if an emergency alarm is received. The function will be reactivated when the alert is over.

AUDIO ADJUSTMENTS

The functions in the audio menu are different depending on the status activated: AM/FM/CE/Media Player (only with **Blue&Me™**)/AUX (only with **Blue&Me™**).

Press the AUDIO button briefly to change the Audio functions. After the AUDIO button is first pressed, the display will show the bass level value for the source activated at that time (e.g. in FM mode the display will show the wording “FM Bass +2”).

Use the buttons ▲ or ▼ to scroll through the menu functions. To change the setting of the selected function, use the buttons ◀ or ▶.

The current status of the selected function appears on the display.

The functions managed by the Menu are:

- BASS (bass adjustment);
- TREBLE (treble adjustment);
- BALANCE (right/left balance adjustment);
- FADER (front/rear balance adjustment);
- LOUDNESS (LOUDNESS function activation/deactivation);
- EQUALIZER (activation and selection of factory equalisation presets);
- USER EQUALISER (customised equalisation adjustment).

TONE ADJUSTMENT (bass/treble)

Proceed as follows:

- Use the button ▲ or ▼ to set “Bass” or “Treble” in the AUDIO menu;
- press the button ► or ◀ to increase/decrease the bass or treble settings.

By pressing the buttons briefly, the levels will change progressively. By pressing them down longer, the levels will change quickly.

BALANCE ADJUSTMENT

Proceed as follows:

- Use the button ▲ or ▼ to set “Balance” in the AUDIO menu;
- press the ► button to increase the sound from the right speakers or the ◀ button to increase the sound from the left speakers.

By pressing the buttons briefly, the levels will change progressively. By pressing them down longer, the levels will change quickly.

Select the “◀ 0 ►” value to set the right and left audio outputs to the same value.

FADER ADJUSTMENT

Proceed as follows:

- Use the button ▲ or ▼ to set “Fader” in the AUDIO menu;
- press the ◀ button to increase the sound from the rear speakers or the ► button to increase the sound from the front speakers.

By pressing the buttons briefly, the levels will change progressively. By pressing them down longer, the levels will change quickly.

Select the value “◀ or ►” to set the right and left audio outputs to the same level.

LOUDNESS FUNCTION

The Loudness function improves the volume of the sound whilst listening at low volumes, increasing the bass and treble.

To activate/deactivate this function, use the button ► or ◀ to select the “Loudness” setting in the AUDIO menu. The condition of the function (on or off) is shown on the display for a few seconds by the text “Loudness On” or “Loudness Off”.

PRESET/USER*/CLASSIC/ ROCK/JAZZ functions (equaliser activation/deactivation)

The built-in equaliser can be activated/deactivated. When the equaliser function is deactivated, the audio settings can only be changed by adjusting the “Bass” and “Treble” settings, whereas when the function is on, the acoustic curves can be adjusted.

To deactivate the equaliser, select the “EQ Preset” function using the buttons ◀ or ▶.

To activate the equaliser, use the buttons ◀ or ▶ to select one of the presets:

- “FM/AM/CD...EQ User” (7 equaliser band preset that can be changed by the user);
- “Classic” (equaliser preset for optimal classical music sound);
- “Rock” (equaliser preset for optimal rock and pop music sound);
- “Jazz” (equaliser preset for optimal jazz music sound);

When one of the equaliser adjustments is activated the text “EQ” lights up.

***USER EQ SETTINGS function (equaliser settings only if the USER setting has been selected)**

To set a customized equaliser adjustment, set the user using either the ▲ or ▼ button and press the MENU button.

A 7 bar graph appears on the display, in which each bar represents a frequency. Select the bar to be adjusted using the buttons ◀ or ▶; the selected bar will start to flash and it can be adjusted using buttons ▲ or ▼.

To store the setting, press the AUDIO button again. The display will show the source activated at that time followed by the text “User”. If the mode is FM, then the display will show “FM EQ User”.

MENU

MENU button functions

Press the MENU button briefly to activate the Menu function. The display will show the first menu item that can be adjusted (AF) ("AF Switching On" on the display).

Use the buttons ▲ or ▼ to scroll through the menu functions. To change the setting of the selected function, use the buttons ◀ or ▶.

The current status of the selected function appears on the display.

The functions managed by the Menu are:

- AF SWITCHING (ON/OFF).
- TRAFFIC INFORMATION (ON/OFF).
- REGIONAL MODE regional programmes (ON/OFF).
- MP3 DISPLAY (CD MP3 display setting).
- SPEED VOLUME (speed-dependent automatic volume control).
- RADIO ON VOLUME (radio volume maximum limit activation/deactivation);
- SPEECH VOLUME (telephone volume adjustment);
- AUX OFFSET (alignment of the portable device volume to the one of the other sources);
- RADIO OFF (off mode).
- SYSTEM RESET.

Press the MENU button again to exit the Menu function.

IMPORTANT The AF SWITCHING, TRAFFIC INFORMATION and REGIONAL MODE adjustments are only possible on FM.

AF SWITCHING function (alternative frequency search)

The radio can operate in two different modes in the RDS system:

- “AF Switching On”: search for alternative frequencies activated (the letters “AF” appear on the display);
- “AF Switching Off”: search for alternative frequencies not activated.

Proceed as follows to activate/deactivate the function:

- press the MENU button and select “AF Switching On”;
- press the ◀/▶ buttons to turn the function on/off.

With the function activated the car radio will automatically tune into the station with the strongest signal that is transmitting the same programme. While driving, the same station can be continuously listened to without having to change the frequency when you change zones.

Obviously, it must be possible to receive the station that you are listening to, in the area you are driving through.

If the AF function is activated, “AF” will light up in the display.

If the AF function has been activated and the radio cannot receive the station tuned into the radio activates the automatic search during which the wording “FM Search” will be shown on the display (for high-level radios only).

With AF function deactivated, the remaining RDS functions such as the radio station name display, remain active.

The AF function can only be activated on FM bands.

TRAFFIC INFORMATION function (traffic information)

Some stations on the FM band (FM1, FM2 and FMA) can transmit information about traffic conditions. In this case the text “TA” appears on the display.

Proceed as follows to activate/deactivate the TA function:

- press the MENU button briefly and select “Traffic info”;
- press the ◀/▶ buttons to turn the function on/off.

If the TA function has been activated, the icon “TA” lights up on the display.

IMPORTANT If the TA function is activated with an audio source other than Tuner (Radio) (CD, MP3, telephone or Mute/Pause), the radio can carry out an automatic search and therefore it is possible, when reactivating the Tuner (Radio) source, that the frequency tuned into is different from the one previously set.

With the TA function, it is possible to:

- search only for RDS stations that transmit on the FM band, that are enabled to transmit traffic information;
- receive traffic information even if the CD player is on;
- receive traffic information at a minimum preset volume even with the radio volume off.

IMPORTANT In some countries there are radio stations that, even with the TP function activated, do not transmit traffic information (the icon “TP” appears on the display).

If the radio is tuned to a station in the AM band, when TA is activated it will tune to the last selected station in the FM1 band.

The volume at which the traffic news is transmitted depends on the listening volume:

- listening volume below 5: traffic news volume equal to 5 (fixed value);
- listening volume above 5: traffic news volume equal to listening volume + 1.

If the volume is changed during the traffic news, the level will not be shown on the display; the new level will only be maintained during the traffic news in progress.

While traffic information is being received, “TRAFFIC INFORMATION” will appear on the display.

The TA function can be interrupted by pressing any button on the car radio.

REGIONAL MODE function (reception of regional transmissions)

Some national broadcasters transmit regional programmes at certain times of the day (that vary from region to region). This function makes it possible to tune into local (regional) broadcasters automatically (see “EON function” paragraph).

If you want the radio to automatically tune into the regional stations being broadcast on the selected network, the function must be activated.

To turn the function on/off, use the buttons ◀ or ▶.

The current status of the function appears on the display:

- “Regional On”: function activated.
- “Regional Off”: function deactivated.

If the function is deactivated and you have tuned into a regional station broadcasting in a given area and you enter a different area, then the regional station received in the new area will be broadcast.

WARNING If the AF and REG functions are on at the same time, once a border between two regions is crossed, the radio may not switch correctly to a valid alternative frequency.

MP3 DISPLAY function (Compact Disc MP3 data display)

This function makes it possible to select the information shown by the display when listening to a CD containing MP3 tracks.

The function can be selected only if a MP3 CD is loaded: in this case the text “MP3 Display” appears on the display.

To change the function use the buttons ◀ or ▶.

The following settings are available:

- “Title” (track title, if ID3-TAG is available).
- “Author” (track author, if ID3-TAG is available).
- “Album” (track album, if ID3-TAG is available).
- “Folder” name (name assigned to the folder).
- “File” name (name assigned to the MP3 file).

SPEED VOLUME function (speed-dependent volume variation)

This function automatically adapts the volume level to the speed of the car, increasing the volume when the speed increases to maintain the relationship with the noise level inside the passenger compartment.

To turn the function on/off, press the ◀ / ▶ buttons.

The text “Speed volume” appears on the display, followed by the current status of the function:

- Off: function off.
- Low: function activated (low sensitivity).
- High: function activated (high sensitivity).

RADIO ON VOLUME function (radio volume maximum limit activation/deactivation)

This function makes it possible to activate/deactivate the maximum volume limit when the radio is on.

The display shows the function status:

- “Radio on vol – Limit on”: when the radio is switched on the volume level will be:
 - if the volume level is equal to or higher than the maximum value, the radio will come on at the maximum volume;
 - if the volume level is between the minimum and maximum values, the radio will come on at the same volume as before it was switched off;
 - if the volume level is equal to or lower than the minimum value, the radio will come on at the minimum volume.
- “Radio on vol – Limit off”: the radio will come on at the volume level it was at before switching off. The volume level can be between 0 and 40

To change the setting of the selected function, use the ◀ / ▶ buttons.

NOTES

- ❑ Using the Menu it is only possible to adjust the activation/deactivation of the function and not the minimum or maximum volume value.
- ❑ If turning on the radio the function “TA”, “TEL” or an external audio source is activated, the radio will turn on with the volume set for these sources. When the outside audio source is deactivated, the volume can be adjusted between the minimum and maximum levels.
- ❑ If the battery charge is low, it will not be possible to adjust the volume between the minimum and maximum levels.

SPEECH VOLUME function (telephone volume adjustment)

This function makes it possible to adjust (settings from 1 to 40), by turning the control fig. 1 or pressing the ◀ / ▶ buttons or exclude (OFF setting) the volume of the Telephone, the **Blue&Me™** (except the Media Player function).

The display shows the current function status:

- ❑ “Speech Off”: function deactivated.
- ❑ “Speech volume 23”: function activated with volume setting 23.

AUX OFFSET function (alignment of the portable device volume to the one of the other sources)

This function enables to align the volume of the AUX source, depending on its own portable player, to the one of the other sources. To activate the function, press the MENU button and then select “AUX offset”.

Press the buttons ◀ or ▶ to decrease or increase the volume value (set from – 6 to + 6).

RADIO OFF function (on and off mode)

This function makes it possible to set the radio switching off mode by choosing between two methods. To activate the function use the buttons ◀ or ▶.

The chosen mode appears on the display:

- “00 MIN”: the radio turns off in connection with the ignition key; the radio is automatically turned off as soon as the key is turned to the STOP position;
- “20 MIN”: the radio turns off independently from the ignition key; the radio remains switched on for a maximum period of 20 minutes after the key has been turned to the STOP position.

SYSTEM RESET function

This function is used to restore all settings to the factory values.

The options are:

- NO: no restore intervention;
- YES: the default parameters will be restored. During such operation, the text “Resetting” appears on the display. At the end of the operation, the source does not change and the previous situation will be displayed.

PHONE SET-UP

When a phone call is received, the radio audio will be connected to the telephone output if the hands-free kit is installed on the car. The sound of the telephone always arrives at a fixed volume, but it is possible to adjust it during a phone conversation by pressing the twist control fig. 1.

The fixed telephone audio volume can be adjusted using the “SPEECH VOLUME” function in the Menu. The word PHONE will appear on the display during the deactivation of the audio for the phonecall.

ANTI-THEFT PROTECTION

The radio is equipped with an anti-theft protection system based on the exchange of information between the radio and the electronic control unit (Body Computer) present on the car.

This system guarantees maximum safety and prevents the secret code from being entered each time the radio power supply is disconnected.

If the check has a positive outcome, the radio will start to function, whereas if the comparison codes are not the same or if the electronic control unit (Body Computer) is replaced, the device will ask the user to enter the secret code according to the procedure described in the paragraph below.

Entering the password

When the radio is switched on, if the password is requested, the display will show “Radio code” for about 2 seconds followed by four dashes “----”.

The secret code is made up of four digits from 1 to 6, each corresponding to one of the dashes.

To enter the first digit of the code, press the button corresponding to the pre-selected stations (from 1 to 6). Enter the other code digits in the same way.

If the four digits are not entered within 20 seconds, the display will show “Enter code ----”. If this occurs, it is not considered an incorrect code entry.

After entering the fourth digit (within 20 seconds), the car radio will work.

If an incorrect code is entered, the radio will emit a sound and the display shows the text “Radio blocked/wait” to notify the user of the need to enter the correct code.

Each time the user enters an incorrect code, the waiting time gradually increases (1 min, 2 min, 4 min, 8 min, 16 min, 30 min, 1h, 2h, 4h, 8h, 16h, 24h) to a maximum of 24 hours. The waiting time will be shown on the display with the text “Radio blocked/wait”. After the text has disappeared it is possible to start the code entering procedure again.

Code card

This document certifies the ownership of the car radio. The Code Card contains the model of the radio, the serial number and the secret code.

IMPORTANT Keep the Code Card somewhere safe so that the authorities can be supplied with the relevant information if the radio is stolen.

RADIO (Tuner)

INTRODUCTION

When the radio is turned on the last function selected before it was switched off is activated: Radio, CD, CD MP3, Media Player (only with **Blue&Me™**) or AUX (only with **Blue&Me™**).

To select the Radio function when another audio source is being listened to, briefly press the FM or AM buttons depending on the desired band.

Once the Radio mode has been activated, the display will show the name (RDS stations only), the frequency of the selected radio station, the frequency band selected (e.g. FMI) and the preselect button number (e.g. P1).

FREQUENCY BAND SELECTION

With the Radio mode active, press the FM or AM button briefly and repeatedly to select the desired reception band.

Each time the button is pressed the following bands are selected cyclically:

- By pressing the FM button: “FM1”, “FM2” or “FMA”;
- By pressing the AM button: “MW1”, “MW2”.

Each band is indicated by the corresponding text on the display. The last station selected on the respective frequency band will be tuned into.

If the CD player overheats the CD playing could be temporarily interrupted. The radio will automatically turn to the Radio (Tuner) mode and the display will show “CD hot” and then “CD disc error”.

PRESET BUTTONS

The buttons numbered from 1 to 6 are used to set the following preselections:

- 18 in the FM band (6 in FMI, 6 in FM2, 6 in FMT or “FMA” on some versions);
- 12 in the MW band (6 in MW1, 6 in MW2).

To listen to a preset station, select the desired frequency band and then press the corresponding preset button briefly (from 1 to 6).

By pressing the preset button for more than 2 seconds, the tuned station will be stored. The storing phase is confirmed by a beep.

STORING THE LAST STATION LISTENED TO

The radio automatically stores the last station that was selected for each reception band, that is then tuned into when the radio is turned on or when the reception band is changed.

AUTOMATIC TUNING

Briefly press the ◀ or ▶ button to start the automatic tuning search for the next station that can be received in the selected direction.

If the button ◀ or ▶ is pressed for longer, the rapid search is started. When the button is released, the tuner will stop on the next station that can be received.

If the TA function (traffic news) is on, the tuner searches only for stations that broadcast traffic news.

MANUAL TUNING

This is used to manually search for stations in the preselected band.

Select the desired frequency band and then press the button ▲ or ▼ briefly and repeatedly to start the search in the desired direction.

If the button ▲ or ▼ is pressed longer, the rapid search starts and then stops when the button is released.

AUTOSTORE FUNCTION (automatic station storage)

To activate the Autostore function, hold the FM button pressed until a beep is heard.

With this function, the radio automatically stores the 6 stations with the strongest signal in a decreasing order on the FMA frequency band.

During the automatic storing process, the text “Autostore” flashes on the display.

Press the FM button again to stop the Autostore function: the radio will again tune into the station listened to before the activation of the function.

When the Autostore function is over, the radio automatically tunes into the first preselected station on the FMA band on the preset side 1.

The stations that have a strong signal at that moment are then automatically stored in the preselected band in the buttons numbered 1 to 6.

When the Autostore function is activated within the MW band, the FMA band is automatically selected and the function is performed.

IMPORTANT Sometimes the Autostore function is not able to find 6 stations with a strong signal. In this case, the strongest stations stored will be duplicated in the free preset buttons.

IMPORTANT When the Autostore function is activated, the stations that were previously stored in the FMA band are deleted.

EMERGENCY ALARM RECEPTION

The radio can receive emergency alerts in RDS mode in exceptional circumstances or when there are dangerous situations (earthquakes, floods, etc.), if these are being transmitted by the broadcaster tuned into.

This function is activated automatically and cannot be turned off.

The word Alarm will be shown in the display during the transmission of an emergency announcement. The volume of the radio changes during this announcement in the same way as during traffic news.

EON FUNCTION (Enhanced Other Network)

In some countries, there are circuits that group multiple broadcasters that are enabled to transmit traffic information together. In this case, the programme of the station that is being listened to will be temporarily interrupted to:

- receive traffic information (only with the TA function on);
- listen to regional transmissions each time they are transmitted by one of the broadcasters in the same circuit.

STEREOPHONIC BROADCASTERS

If the incoming signal is weak, playback is automatically switched from Stereo to Mono.

CD PLAYER

INTRODUCTION

This chapter describes the variants regarding the operation of the CD player only: as far as the operation of the radio is concerned, refer to the description in the “Functions and Adjustments” chapter.

CD PLAYER SELECTION

To activate the CD player built into the equipment, proceed as follows:

- load a CD with the equipment switched on: the first track will start to play;

or

- if a CD has already been loaded, turn on the car radio and then briefly press the CD button to select the “CD” function mode: the last track listened to will start to play.

It is advisable to use original CDs to ensure optimal playback. If CD-R/RWs are used, we recommend using good quality media that are burned at the slowest speed possible.

CD LOADING/EJECTION

To load the CD, insert it gently into the slot to activate the motorised loading system, which will position it correctly.

The CD can be loaded with radio off and the ignition key turned to MAR: in this case the radio will remain off. When the radio is turned on, the last source listened to before being switched off will be activated.

When a CD is inserted the display will show the symbol “CD-IN” and the text “CD Reading”. They will remain displayed for the whole time required for the radio to read the CD. When this time has elapsed the radio automatically starts playing the first track.

Press the ▲ button (EJECT) with the radio on to activate the motorised ejection of the CD. After ejection, the last audio source listened to before playing the CD will be heard.

If the CD is not removed from the radio, it will automatically be reloaded about 20 seconds later and the Tuner mode will be tuned into (Radio).

The CD cannot be ejected if the radio is off.

If the ejected CD is reloaded without having removed it completely from the slot, the radio will not switch to the CD source.

Possible error messages

If the loaded CD cannot be read (e.g. a CD ROM has been inserted or the CD is inserted the wrong way round or there is reading error) the display shows the text “CD Disc error”.

The CD will then be ejected and the audio source activated before the CD mode selection will be heard.

With external audio source on (“TA”, “ALARM” and “Phone”) the CD which cannot be read will not be ejected until these functions are terminated. At the end, with the CD mode activated, the display will show the text “CD Disc error” for a few seconds and then the CD will be ejected.

If the CD player overheats the CD playing could be temporarily interrupted. The radio will automatically turn to the Radio (Tuner) mode and the display will show “CD hot” and then “CD disc error”.

DISPLAY INFORMATION

When the CD player is in operation, information appears on the display with the following meanings:

- “CD Track 5”: indicates the CD track number;
- “03:42”: indicates the time elapsed since the start of the track (if the relevant Menu function is activated).

TRACK SELECTION (forward/backward)

Briefly press the ◀ button to play the previous CD track and the ▶ button to play the next track. The tracks are selected cyclically: the first track is selected after the last track and vice versa.

If the track has been played for more than 3 seconds, pressing the ◀ button will cause the track to be started again from the beginning. In this case, if you want to play the previous track, press the button twice in succession.

FAST FORWARD/REWIND THROUGH TRACKS

Keep the button ▶ pressed down to fast forward the selected track and keep the button ◀ pressed down to fast rewind the track. The fast forward/rewind will stop once the button is released.

PAUSE FUNCTION

To pause the CD player, press the button MUTE. The text “CD Pause” appears on the display.

To resume listening to the track, press the button MUTE again.

If another audio source is selected, the pause function is deactivated.

MP3 CD PLAYER

INTRODUCTION

This chapter only describes the variants regarding the operation of the CD MP3 player: as far as the operation of the radio is concerned, refer to the description in chapters “Radio” and “MP3 CD Player”.

NOTE MPEG Layer-3 audio decoding technology licensed from Fraunhofer IIS and Thomson multimedia.

MP3 MODE

In addition to playing regular audio CDs, the radio is also able to play CD-ROMs on which audio files have been recorded using the MP3 compression format. The radio functions as described in the “CD Player” chapter when an ordinary audio CD is inserted.

The use of good quality media burned at the slowest possible speeds is recommended for optimum quality.

The files on an MP3 CD are structured in folders that create lists of all the folders containing MP3 tracks (folders or subfolders are all displayed on the same level); the folders that do not contain MP3 tracks cannot be selected.

The specifications and operating conditions for playing MP3 files are the following:

- the CD-ROMs used should be mastered in accordance with the ISO 9660 standard;
- the music files should have the extension “.mp3”: files with a different extension will not be reproduced;
- The sampling frequencies that can be reproduced are: 44.1 kHz, stereo (from 96 to 320 kbit/s) – 22.05 kHz, mono or stereo (from 32 to 80 kbit/s);
- tracks with a variable bit-rate can be reproduced.

IMPORTANT The track names must not include the following characters: spaces, ‘ (apostrophes), (and) (open and close brackets). During the mastering of a MP3 CD, make sure that the names of the files do not contain these characters; if not, the radio will not be able to play the tracks involved.

SELECTING MP3 SESSIONS ON HYBRID DISCS

If a hybrid disc is inserted (Mixed Mode, Enhanced, CD-Extra) also containing MP3 files, the radio automatically starts playing the audio session. It is possible to move to the MP3 session whilst playing by keeping the MEDIA button pressed for more than 2 seconds.

IMPORTANT When the function is activated the radio may take a few seconds to start playing. Whilst checking the disc the display will show “CD READING”. If no MP3 files are detected, the radio will resume playing the audio session from the point where it was interrupted.

DISPLAY INFORMATION

ID3-TAG information display

In addition to the information relating to the time elapsed, folder name and file name, the radio is also capable of displaying ID3-TAG information relating to Title track, Artist and Author.

The name of the MP3 folder shown on the display corresponds to the name with which the folder was stored on the CD, followed by an asterisk.

Example of a complete MP3 folder name: BEST OF*.

When ID3-TAG data is chosen to be displayed (Title, Artist, Album) that has not been recorded for the track played, the information will be replaced by that relating to the name of the file.

SELECTION OF NEXT/PREVIOUS FOLDER

Press the button ▲ to select the next folder or the button ▼ to select the previous folder. The display will show the number and the name of the folder (e.g. “DIR 2 XXXXXX”).

XXXXXX: name of the folder (the display will only show the first 8 characters).

The folders are selected cyclically: the first folder is selected after the last folder and vice versa.

If no other folder/track is selected during the next 2 seconds, the first track contained in the new folder will be played.

If the last track in the folder at that moment selected is played, the next folder will be played.

STRUCTURE OF THE FOLDERS

The radio with MP3 player:

- recognises only the folders that contain MP3 format files;
- if the MP3 files on a CD-ROM are structured in “sub-folders”, their structure is compressed to a single level structure, where the “sub-folders” are taken to the level of the main folders.

AUX (only with Blue&Me™)

INTRODUCTION

This chapter describes the variants regarding the operation of the AUX source: as far as the operation of the radio is concerned, refer to the description in the "Functions and Adjustments" chapter.

AUX MODE

To activate the AUX source, press the MEDIA button or the SRC steering wheel control several times till the corresponding source is displayed.

IMPORTANT NOTES

The functions of the device connected with the AUX socket are directly managed by the device itself; it is not possible to change track/folder/playlist with radio or steering wheel controls.

Do not leave the cable of your portable player connected with the AUX socket after the disconnection, to avoid possible hisses from the speakers.

NOTE The AUX socket is not incorporated in the radio. For its position, refer to the **Blue&Me™** Supplement and its Quick Guide.

TROUBLESHOOTING

GENERAL

Sound volume low

The Fader function should be adjusted only to the values “F” (front) to prevent a reduction in radio output power and the cancellation of the volume if the Fader level adjustment is equal to R+9.

Source cannot be selected.

Nothing has been loaded. Load the CD or the MP3 CD to be listened to.


CD PLAYER

The CD does not play.

The CD is dirty. Clean the CD.

The CD is scratched. Try using another CD.

The CD cannot be loaded.

A CD is already loaded. Press the button  and remove the CD.

MP3 FILE READING

Tracks skip during MP3 file playback

The CD is scratched or dirty. Clean the CD, referring to the description in the paragraph “CD” in the chapter “PRESENTATION”.

The duration of the MP3 tracks is not shown correctly

In some cases (due to the recording mode) the duration of the MP3 tracks may be displayed incorrectly.

ARRANGEMENTS FOR DEALING WITH THE VEHICLE AT THE END OF ITS LIFE

FGA has been committed for many years to safeguarding the environment through the constant improvement of its production processes and manufacturing products that are increasingly compatible with the ecosystem. To assure customers of the best possible service in terms of respecting environmental laws and in response to European Directive 2000/53/EC governing vehicles at the end of their life, FGA is offering their customers the opportunity of handing over their vehicle* at the end of its life without incurring any additional costs.

The European Directive sets out that when the vehicle is handed over the last keeper or owner should not incur any expenses as a result of its market value. In particular, in almost all European Union countries, until 1st January 2007, vehicles registered after 1st July 2002 will be collected free of charge, whilst from 2007 collection will be free of charge irrespective of the year of registration as long as the vehicle contains its basic components (in particular, the engine and bodywork) and has no additional waste.

To hand your vehicle over at the end of its life without extra cost, contact an FGA Dealership or authorised collection and scrapping centres. These centres have been carefully chosen to offer high quality service for the collection, treatment and recycling of vehicles at their end of life, respecting the surrounding environment.

You can find further information on these collection and scrapping centres either from an Abarth Dealership or by calling the freephone number 00800 22278400 or on the Fiat website.

* Vehicle for transporting passengers with a maximum of nine seats with a total permitted weight of 3.5 t

page intentionally left blank

RIGHT HAND DRIVE VERSION

DASHBOARD

The presence and position of the controls, instruments and gauges may vary depending on the version.

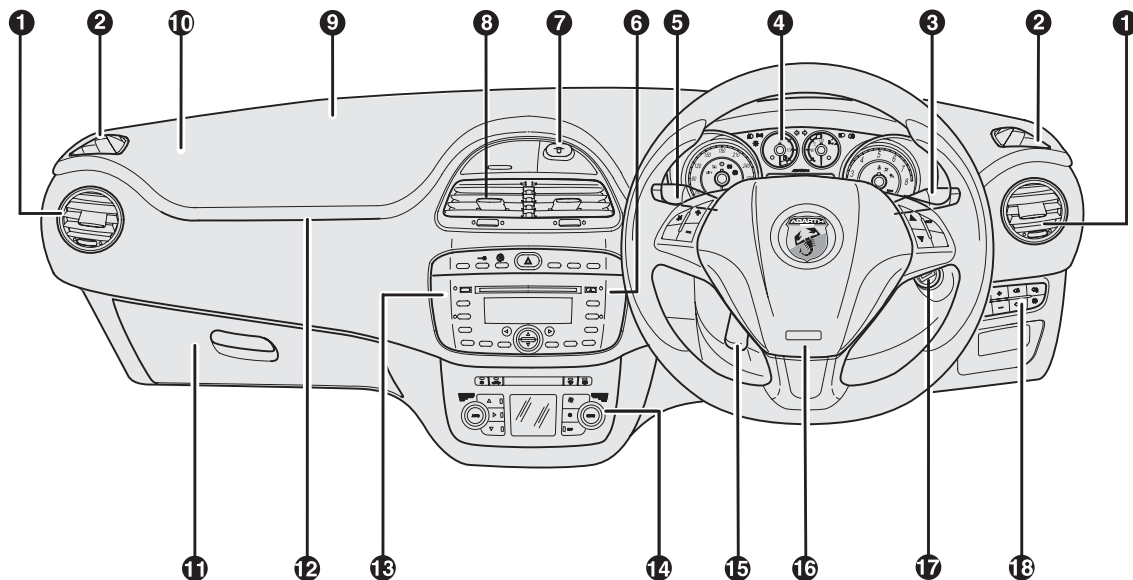


fig. 1

FOU197Ab

1. Adjustable side air vents – 2. Fixed side air vents – 3. Right steering column stalk: windscreen wiper controls, rear window wiper, trip computer – 4. Instrument panel – 5. Left steering column stalk: external lights – 6. Panel controls – 7. Portable navigation system setup (for versions/markets, where provided) – 8. Adjustable central air vents – 9. Fixed upper air vent – 10. Front airbag – passenger side – 11. Glove compartment – 12. Light guide – 13. Radio (for versions/markets where provided) – 14. HVAC controls – 15. Steering wheel adjustment lever – 16. Front airbag – driver's side – 17. Ignition device – 18. Control panel: headlamp alignment adjustment/ reconfigurable multifunction display.

INSTRUMENT PANEL

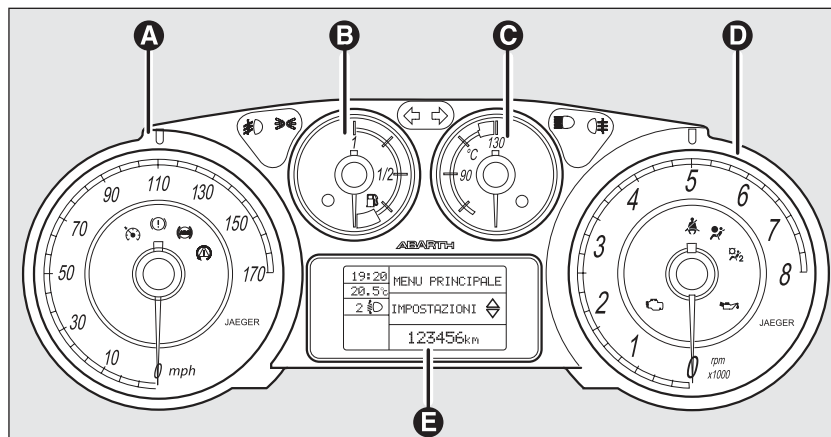


fig. 2

FOU198Ab

- A Speedometer (speed indicator)
- B Fuel level gauge with reserve warning light
- C Engine coolant temperature gauge with overheating warning light
- D Rev counter
- E Reconfigurable multifunction display

CONTENTS

ABS	85	– maintenance	193	– opening the boot in an emergency	77
– Brake Assist	87	– recharging	177	– removing the parcel shelf	80
ABS system	85	– replacement	193	– tailgate opening	76
– Brake Assist	87	– tips for extending battery life	194	Boot courtesy light	57
Accessories purchased by the owner	105	Bi-zone automatic climate control system	44	– bulb replacement	169
Additional brake light (third brake light)		Body		Boot	
– bulb replacement	166	– body version codes	207	– closing the tailgate	77
Air filter	192	– cleaning, care and maintenance	200	– expanding the boot	78
Air recirculation	43-46	– maintenance	202	– opening the tailgate	76
Air vents	38	Bodywork codes	207	– opening the tailgate in an emergency	77
Airbag deactivation	126	Bodywork paint identification plate	206	– removing the parcel shelf	80
Alarm	9	Bodywork versions	207	Brake Assist (system)	87
Ashtray	65	Bonnet		Brake Assist system	87
ASR (system)	89	– opening/closing	81	Brake fluid	
Battery		Boot	76	– checking levels and topping up	191
– checking the charge and the electrolyte level	193	– closing the tailgate	77	– specifications	218
– jump starting	151	– expanding the boot	78	Brake lights	
				– bulb replacement	165

KNOWING
YOUR VEHICLE

SAFETY

STARTING
AND DRIVING

WARNING LIGHTS
AND MESSAGES

IN AN
EMERGENCY

MAINTENANCE
AND CARE

TECHNICAL
SPECIFICATIONS

CONTENTS

Brakes	– universal Isofix child seat capability	120	Child seats	115	
– brake fluid (type)	218	Carrying children safely	115	– passenger seat compliance with regulations on Isofix child seat use	122
– checking levels and topping up	191	– passenger seat compliance with regulations on isofix child seat use	122	– passenger seat compliance with regulations on universal child seat use	118
– handbrake	134	– passenger seat compliance with regulations on universal child seat use	118	– universal Isofix child seat capability	120
– technical specifications	209	Catalytic converter	108	Cigarette lighter	64
Bulbs	– bulb types	159-160	CD Changer (capability)	104	Cleaning and maintenance
– external bulb replacement	161	Central locking	59	– bodywork	200
– general information on replacement	158	Central locking	71	– engine compartment	202
– internal bulb replacement	168	Chassis (marking)	206	– front headlights	202
– replacement	158	Chassis marking	206	– interiors	202
Can holder	64	Checking levels	187	– leather seats	203
Capability for child seat	115	– brake fluid	191	– plastic parts	204
Card holder	64	– engine coolant	189	– seats and fabric parts	203
Carrying children safely	115	– engine oil	188	– windows	202
– passenger seat compliance with regulations on isofix child seat use	122	– windscreen/rear window washer fluid	190	Climate control vents	38
– passenger seat compliance with regulations on universal child seat use	118			Clutch	
				– technical specifications	208
				CO ₂ at exhaust	220
				CO ₂ emissions	220

CODE card	5	Dipped beam headlights		DSS (Driving Sport Switch) (car dynamic control system) ...	96
Controls	58	– bulb replacement	162	E lectrical/electronic devices (important notes for installation)	106
Controls for climate control system	39-44	– switching on	49	Engine codes	207
Courtesy lights	56	Dipped beam headlights		Engine compartment	
Cruise Control	54	– bulb replacement	162	– checking levels	187
		– switching on	49	– opening/closing the bonnet	81
		– switching on	50	– washing	202
D ashboard	3	Direction Indicators		Engine coolant temperature gauge	15
– right hand drive version	257	– front bulb replacement	163	Engine coolant	
Day lights (DRL)	49	– rear bulb replacement	165	– checking levels and topping up	189
– bulb replacement	162	– side bulb replacement	164	– specifications	218
Dead Lock	73	– switching on	50	– temperature gauge and warning light	15
Dead lock (device)	73	Document holder pocket	66	Engine immobiliser (Fiat CODE)	4
Defrosting/demisting		Door pockets	63	Engine marking	206
– heated rear window and door mirrors	43-46	Doors	71	Engine oil	
– windscreen and front side windows	42-45	– central locking	71	– checking levels and topping up	188
Demisting/defrosting		– Dead Lock	73		
– heated rear window and door mirrors	43-46	– door unlocking from the outside	72		
– windscreen and front side windows	42-45	– locking the doors from the outside	71		
Dimensions of the car	214	– locking/unlocking from the inside	72		
		– pockets	63		

KNOWING
YOUR VEHICLE

SAFETY

STARTING
AND DRIVING

WARNING LIGHTS
AND MESSAGES

IN AN
EMERGENCY

MAINTENANCE
AND CARE

TECHNICAL
SPECIFICATIONS

CONTENTS

KNOWING
YOUR VEHICLE

– consumption 188
 – technical specifications 217
 Engine starting 131

SAFETY

– bump starting 152
 – emergency starting
 (of engine) 151

STARTING
AND DRIVING

– how to warm up the engine
 after it has just started 132
 – ignition switch 11

WARNING LIGHTS
AND MESSAGES

– jump starting 151
 – stopping the engine 133

IN AN
EMERGENCY

Engine
 – engine immobiliser
 (Fiat CODE) 4

MAINTENANCE
AND CARE

– how to warm up the engine
 after it has just started 132
 – identification codes 207
 – marking 206

TECHNICAL
SPECIFICATIONS

– stopping the engine 133
 – technical specifications 207

CONTENTS

Environment (protection) 108
 EOBD (system) 92
 ESP (system) 88

External lights (switching on) 49
 "e-GSI" system
 (Gear Shift Indicator) 103

Fiat CODE 4

Fix&Go Automatic
 (rapid tyre repair kit) 152

Flashing (main beams) 50

Fluids (specifications) 217-218

Fluids and lubricants

– refuelling 216

– specifications 217-218

Fog lights

– bulb replacement 164

– Cornering Lights function 51

– switching on 58

Follow me home

(headlight device) 50

Front airbags 123

– deactivation 126

– driver's knee bag 125

– front airbag on driver's side ... 124

– front airbag on
 passenger's side 124

– general information 129

Front armrest 63

Front ceiling light 56

– bulb replacement 168

– spot lights 56

Front fog lights

– bulb replacement 164

– Cornering Lights function 51

– switching on 58

Front light clusters

– bulb replacement 161

Front seats 31

– adjusting 31

– armrest 63

– cleaning 203

– headrests 33

Fuel consumption 219

Fuel cut-off (system) 60

Fuel cut-off system 60

Fuel gauge 14

Fuel tank (capacity) 216

Fuel tank cap 107

Fuel		H ead restraint	33	How to warm up the engine	
– consumption	219	Headlight alignment corrector	84	after it has just started	132
– fuel cut-off system	60	Headlights	84		
– fuel tank cap	107	– adjusting headlights abroad ...	84	I dentification data	205
– reserve warning light	146	– beam orientation	84	– bodywork codes	207
– saving fuel	135	– bulb replacement	162	– Bodywork paint	
– specifications	216	– headlight alignment		identification plate	206
Fuse boxes (location)	171-173	corrector	84	– chassis marking	206
Fuses	169	– orientation of front		– engine codes	207
– accessing the fuses	171	fog lights	84	– engine marking	206
– fuse summary table	174	Headrests		– vehicle identification	
– general information	169	– front	33	number plate	205
– location (fuse boxes)	171-173	– rear	33	Ignition switch	11
		Heated rear window	59	– steering wheel lock	12
		Heating and ventilation	37	Important notes	2
G ear lever	134	– bi-zone automatic climate		In an emergency	151
Gear Shift Indicator		control system	44	Installing electrical/electronic	
(“e-GSI” system)	103	– diffusers	38	devices (important notes)	106
Gearbox	134	– maintenance	43	Instrument panel	13
Glove compartment	61	– manual climate control		– right hand drive version	258
Handbrake	134	system	39	Interior fittings.....	61
Handbrake lever	134	Heating and ventilation system ...	37	Interiors (cleaning)	200
Hazard warning lights	58	Hill Holder (system).....	89		

KNOWING
YOUR VEHICLE

SAFETY

STARTING
AND DRIVING

WARNING LIGHTS
AND MESSAGES

IN AN
EMERGENCY

MAINTENANCE
AND CARE

TECHNICAL
SPECIFICATIONS

CONTENTS

KNOWING
YOUR VEHICLE

SAFETY

STARTING
AND DRIVING

WARNING LIGHTS
AND MESSAGES

IN AN
EMERGENCY

MAINTENANCE
AND CARE

TECHNICAL
SPECIFICATIONS

CONTENTS

Isofix (child seat)
 – passenger seat compliance with regulations on Isofix child seat use 122
 – passenger seat compliance with regulations on universal child seat use 118
 – universal Isofix child seat capability 120

Keys 5
 – Code card 5
 – key with remote control 6
 – key without remote control .. 9
 – remote control battery replacement 7
 – replacing the cover of the remote control 8
 – request for additional remote controls 8

Knowing your car 3

Levers on the steering wheel 49-51

Lubricant specifications 217

Lubricants (specifications) 217-218

Main beam headlamps
 – bulb replacement 162
 – switching on 50

Main beam headlights
 – bulb replacement 162
 – switching on 50

“Manettino Abarth” car dynamic control system (DSS – Driving Sport Switch) .. 96

Manual climate control system ... 39

Maximum speed 213

Mirrors 35
 – electrochromic rear-view 35
 – rear-view 35
 – wing 36

MSR system 91

Nozzles
 – windscreen/rear window washer..... 199

Number plate lights
 – bulb replacement 167

On-board computer (trip) 29

On-board instruments (panel) 13-14

Paintwork (maintenance) 201
 – bodywork colour plate 206

Parking lights 58

Parking the car 133

Performance 215

Pollen filter 192

Portable navigation system (preparation for installation) ... 105

Portable navigator (installation presetting) 105

Power supply (technical data) 208

Preparation to install a portable navigation system 105

Protecting the environment 108

Radio 221

Radio transmitters and mobile phones 106

Radio transmitters and mobile phones (important notes) 106

Raising the car	178	Refuelling		Safety	109
Rear fog lights	59	– fuel	107	Saving fuel	135
– bulb replacement	166	– technical specifications (fluid quantity and type)	216	SBR system.....	111
Rear light clusters		Regular checks	186	Scheduled servicing plan	184-185
– bulb replacement	165	Remote control	6	Scrappage	255
Rear seats	32	– additional remote controls	8	Seat belt pretensioners	111
– cleaning	203	– battery replacement	7	– load limiters	112
– headrests	33	– remote door opening/ closing.....	6	Seat belts	109
Rear window washer		– tailgate opening	6	– carrying children safely (child seats)	115
– activating	53	Rev counter	14	– general warnings	112
– checking levels and topping up	190	Reverse lights		– load limiters	112
– nozzles	199	– bulb replacement	166	– maintenance	114
Rear window wiper		Reverse lights		– pretensioners	111
– blade replacement	198	– bulb replacement	166	– SBR system.....	111
– nozzles	199	Right hand drive version	257	– using the seat belts	109
– operation	53	Roof bar attachments	83	– scheduled servicing	183
Reconfigurable multifunction display	16	Roof rack/ski rack (setup)	83	– checking fluid levels	187
– control buttons	17	Roof rack/ski rack bars		– heavy-duty use of the car	186
– display functions	20	(capability).....	83	– regular checks	186
– setup menu	18	Rubber tubes (maintenance)	197	– scheduled servicing	183
– standard screen	16			– scheduled servicing plan	184-185

KNOWING
YOUR VEHICLE

SAFETY

STARTING
AND DRIVING

WARNING LIGHTS
AND MESSAGES

IN AN
EMERGENCY

MAINTENANCE
AND CARE

TECHNICAL
SPECIFICATIONS

CONTENTS

KNOWING
YOUR VEHICLE

Side bags 126
 – front side bags 127
 – general information 129
 – window bags 127

SAFETY

Snow chains 139
 Socket 67

STARTING
AND DRIVING

Spark plugs (type) 207
 Speedometer 14
 Start&Stop 99

WARNING LIGHTS
AND MESSAGES

Start&Stop system 99
 Starting and driving 131

IN AN
EMERGENCY

Steering lock and ignition
 switch 11-12

MAINTENANCE
AND CARE

Steering wheel 34
 – adjustment 34
 – turning circle 209
 Steering wheel lock 12

TECHNICAL
SPECIFICATIONS

Steering
 – steering wheel
 adjustment lever 34
 – technical specifications 209

CONTENTS

Storage compartments 61-62-67
 Storing the car 140

Sun roof (Sky-dome) 68
 – emergency operation 70

Sun visors 66
 Suspensions
 (technical specifications) 209

Symbols 4

Tailgate

– closing the tailgate 77
 – opening the tailgate 76
 – opening the tailgate in
 an emergency 77

Taillights

– front bulb replacement 161
 – switching on 49

Technical data 205
 Technical specifications 205

Third brake light

– bulb replacement 166
 Towing the car 179

TPMS (Tyre Inflation Pressure
 Control System) 93

Transmission
 (technical specifications) 208

Trip computer 29
 TTC (system) 91

Turning circle 209
 Tyre Inflation Pressure
 Control System (TPMS) 93

Tyre pressure 213

Tyres (wheels)

– Fix&Go Automatic rapid tyre
 repair kit 152
 – in the event of a puncture ... 176
 – reading rim markings 212
 – reading tyre markings 210
 – Rim Protector tyres 212
 – rims and tyres 210
 – snow chains 139
 – snow tyres 138
 – tyre pressure 213
 – wheel trim 210
 – winter tyres 138

Vehicle Identification 207
 Vehicle identification
 number plate 205

Vehicle lifting points	178	Windows	
Vehicle weights	215	– cleaning	51
W arning lights and messages	141	– windscreen washer fluid	190
Washer fluid for windscreen/ rear window		Windscreen washer	
– checking levels and topping up	190	– "smart washing" function	52
– specifications	218	– activating	51
Washing the car		– checking levels and topping up	190
– engine compartment	202	– nozzles	199
– inside	202	– windscreen washer fluid specifications	218
– outside	201	Windscreen wiper	
Wheel geometry	210	– blade maintenance	198
Wheel rims	210-212	– blade replacement	198
Wheels and tyres	195	– nozzles	199
– reading rim markings	212	– operation	51
– reading tyre markings	210	– rain sensor	52
– Rim Protector tyres	212	Windscreen/rear window wiper blades	
– rims and tyres	210	– replacement	198
– tyre and wheel types	213	Winter	
– tyre inflation pressure	213	– snow chains	139
– wheel trim	210	– snow tyres	138
When parked	133		

KNOWING
YOUR VEHICLE

SAFETY

STARTING
AND DRIVING

WARNING LIGHTS
AND MESSAGES

IN AN
EMERGENCY

MAINTENANCE
AND CARE

TECHNICAL
SPECIFICATIONS

CONTENTS

Fiat Group Automobiles S. p. A. – Customer Services – Technical Services – Service Engineering
Largo Senatore G. Agnelli, 5 – 10040 Volvera – Torino (Italia)
Print n. 603.81.791 – 09/2010 – 2 edition



The data contained in this publication is intended merely as a guide. FIAT reserves the right to modify the models and versions described in this booklet at any time for technical and commercial reasons.

If you have any further questions please consult your Abarth dealer.

Printed in recycled paper without chlorine.