

Instruction Manual of Lifan Sedan

LF620



Chongqing Lifan Passenger Vehicle Co.,Ltd

Foreword

Great appreciation for your preference on LF620 sedan! Please read this manual carefully for driving and maintaining correctly.

Electronic injection engine is adopted for this sedan, whose electronic circuit structure is quite complex. The trouble caused by the additional installation of such electronic components as anti-theft device, central door locking, power window regulator, audio unit by yourself will be excluded from our quality guarantee service.

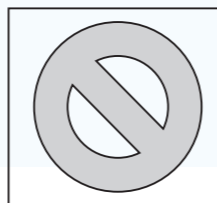
Please follow the indications of “safety instruction” and “vehicle damage” in the manual to avoid personal injury and vehicle damage.

The indications are as follows:

Note
The requirements for easy maintenance

Warning
The requirements to avoid vehicle and personal dangers

Safety Marks



The safety mark as shown in the figure means “Do Not”.

The figures in the manual are illustrations and just for reference. Since this manual is a general description for this type of sedan, concerning different configurations, thus, some features herein may not be applicable for your car of specific kind. When purchasing, please confirm descriptions with real products.

The company reserves the right to change the specification of the products and descriptions in this manual without notice. Many thanks for your selection of our cars, and your comments are welcomed.

Content

Technical Parameter & Vehicle Identification (LF 620 Complete Car)	3
Chapter 1 Operation of Instrument and Controller	9
Chapter 2 LF620 Driving Guide	105
Chapter 3 Starting and Driving	115
Chapter 4 Urgent Trouble Treatment	122
Chapter 5 Anti-corrosive and Outer Maintenance of the Vehicle	136
Chapter 6 Maintenance Instructions	142
Chapter 7 Maintenance DIY	150
Chapter 8 Component Specification	168

Technical Parameter & Vehicle Identification (LF 620 Complete Car)

Technical Parameter.....	4
Vehicle Identification.....	6
Various Indicator Plates and Warning Plates.....	7

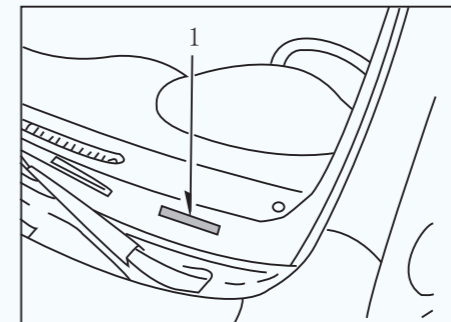
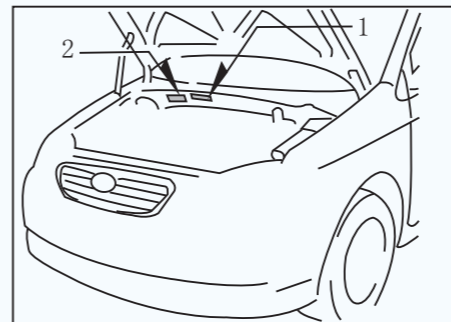
Technical Parameter

Product Model		LF7162 LF7162A LF7162B LF7162C LF7162D LF7162E
Outline Dimension	L (mm)	4550
	W (mm)	1705
	H (mm)	1495
Wheel Base (mm)		2605
Track	Front (mm)	1470
	Rear (mm)	1460
Vehicle Weight (kg)		1150
Vehicle Weight with Load (kg)		1555
Wheel Specification		195/60R15
Approach Angle (°)		≥19°
Departure Angle (°)		≥17°
Front Suspension (mm)		940
Rear Suspension (mm)		1005
Passengers		5

Product Model	LF7162 LF7162A LF7162B	LF7162C LF7162D LF7162E
Maximum Speed (km/h)	≥180	
Engine Model	Tritec1.6	LF481Q3
Type	4-cylinder in-line, 16 valves, single OHC, MFI	
Displacement (ml)	1596	1587
Maximum Power (kw)	85 (6000r/min)	78 (6000r/min)
Maximum Torque (N·m)	149 (4500r/min)	137 (4500r/min)
Idle Speed (r/min)	800±50	
Oil Consumption (L/100 km)	7.5	7.8
Grade Ability (%)	≥30	
Emission Standard	GB III/GB IV	GB III/GB IV

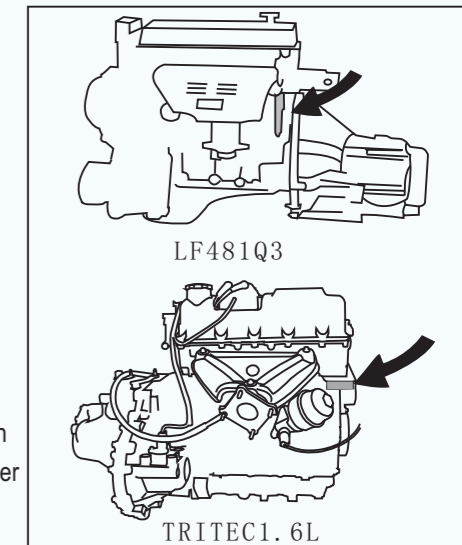
Vehicle Identification

Vehicle Identification Number (VIN)



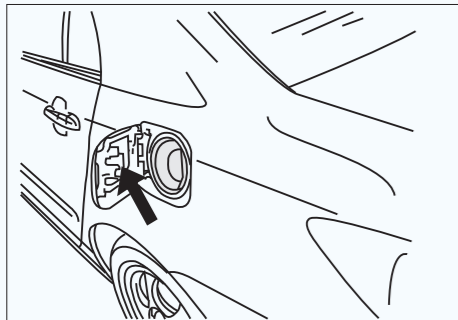
VIN is located within the engine compartment as well as at the upper left side of dash board (as shown at “1” in the above figure), which is used for the record by the owner. Manufacturer data plate with VIN is located within the engine compartment (as shown at “2” in the above figure).

Engine No.

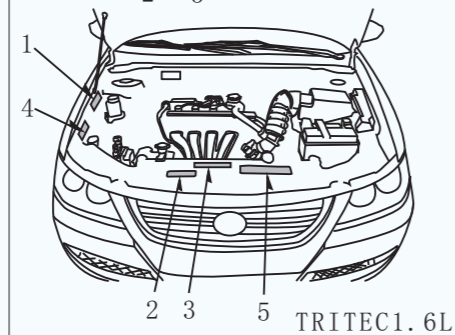
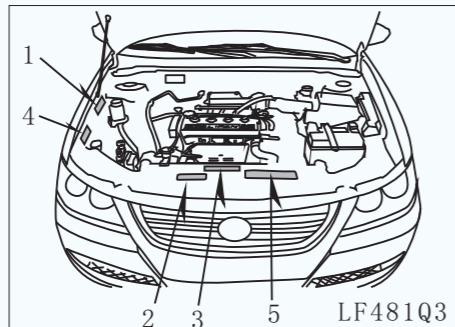


The engine No. is located on the cylinder block (as shown in the above figure).

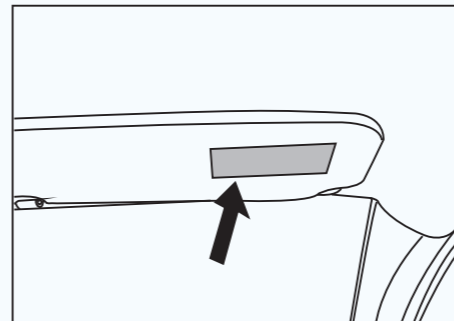
Various Indicator Plates and Warning Plates



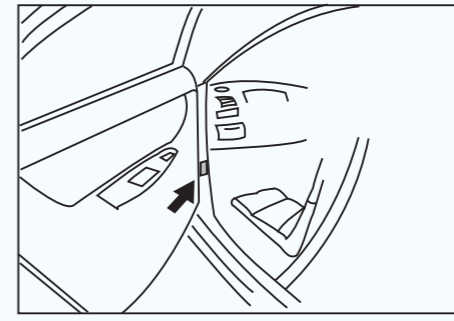
The indicator plate for fuel No. is located inside the cap of the oil filler.



1. Warning plate for power-assisted steering oil.
2. Warning plate for oil and coolant filling.
3. Warning plate for A/C refrigerant.
4. Warning plate for glass cleaning solution.
5. Warning plate for engine coolant.



Notes for air bag are located on the front passenger sun visor.



The indicator plate for tire pressure is located at the lower side of the left front door lock.

Chapter 1

Operation of Instrument and Controller

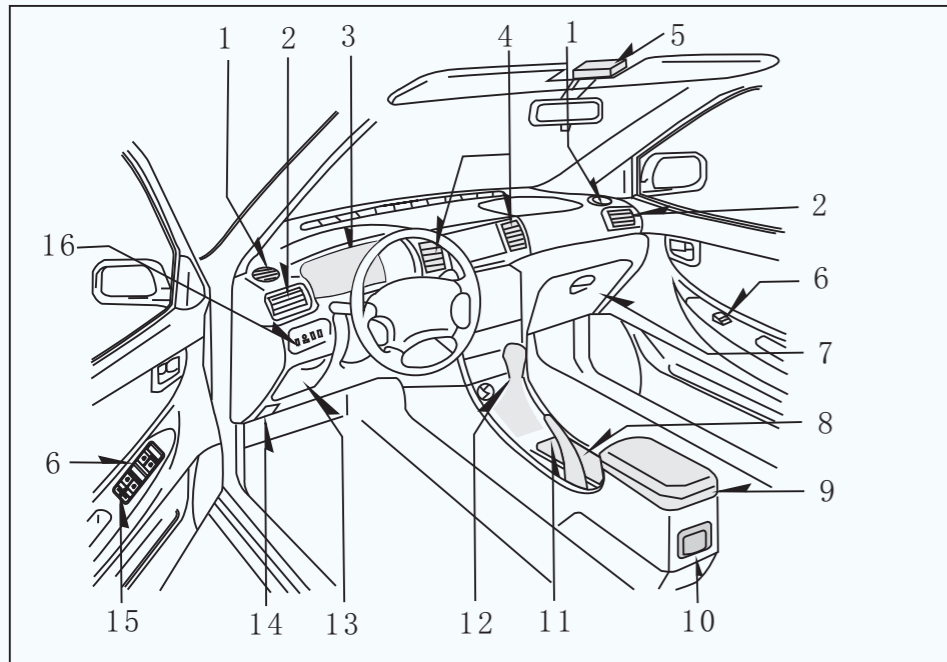
Dash Board	10
Key and Door	17
Seat, Safety Belt, Steering Wheel and Rearview Mirror	33
Illumination, Wiper and Demister	56
Instrument and Maintenance Indicator	63
Ignition Switch, Manual Transmission and Parking Brake	72
Car Audio System	76
A/C System	85
Other Equipment	99

Chapter 1-1

Operation of Instrument and Controller

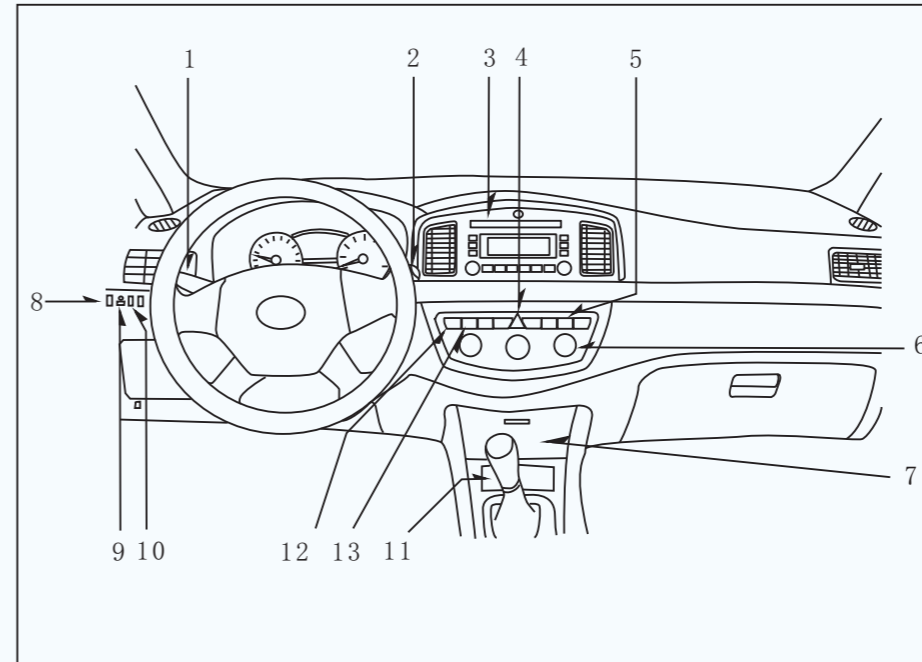
Dash Board	
Dash Board	11
Manual A/C Controller (Optional)	12
Automatic A/C Controller (Optional)	13
Instrument Cluster	14
Instrument Cluster Indicator	15

Dash Board



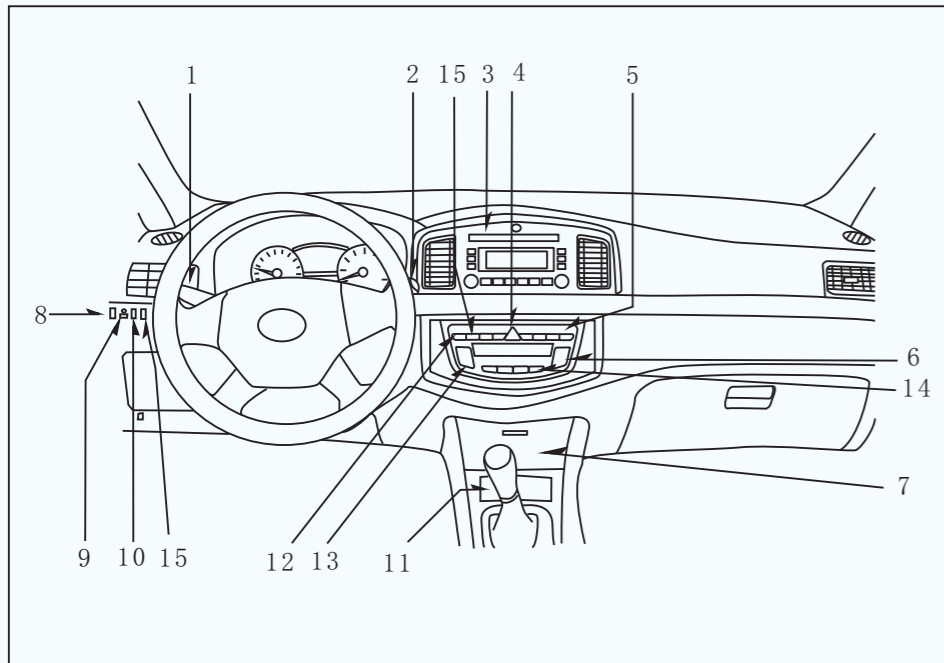
1. Side defroster outlet
2. Side vent
3. Instrument cluster assembly
4. Central vent
5. Front interior lamp and switch assembly (optional)
6. Glass regulator switch
7. Right sundries box
8. Cup stand
9. Central sundries box
10. Rear ashtray
11. Parking control knob
12. Shift control knob
13. Small sundries box
14. Control handle for engine hood
15. Locking switch for passenger doors and windows
16. Dash board left switch assembly

Power A/C Controller



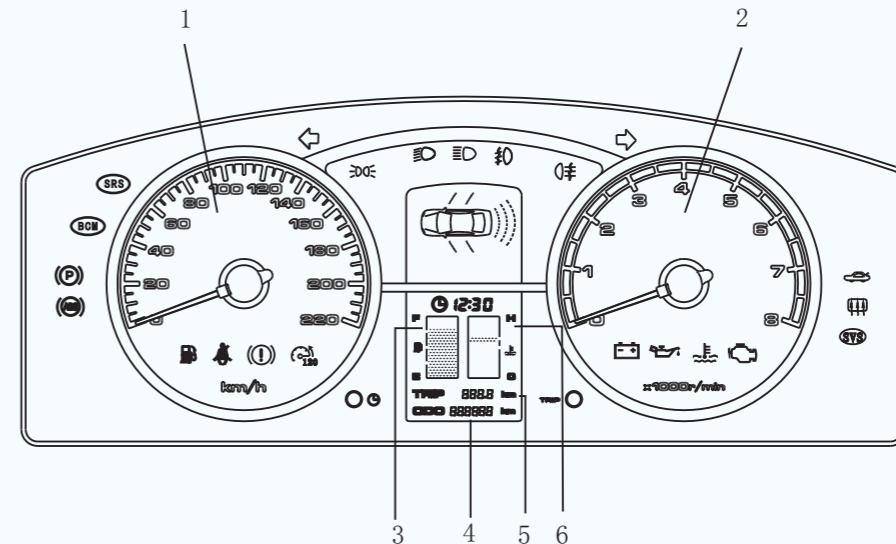
1. Left combination switch (lighting)
2. Right combination switch (wiper & wash)
3. Vehicle audio unit (CD)
4. Warning lamp switch for danger
5. Central door lockings witch
6. A/C control knob
7. Front ashtray and cigarette lighter assembly
8. Anti-theft warning lamp
9. Power rearview mirror switch
10. Adjusting knob for background luminance of dash board
11. Small sundries box
12. A/C switch
13. Internal and external circulation button

Automatic A/C Controller (Optional)



















1. Left combination switch (lighting)
2. Right combination switch (wiper & wash)
3. Vehicle audio unit (DVD)
4. Warning lamp switch for danger
5. Air intake mode selection button
6. Fan speed regulation knob
7. Front ashtray and cigarette lighter assembly
8. Anti-theft warning lamp
9. Power rearview mirror switch
10. Adjusting knob for background luminance of dash board
11. Small sundries box
12. Rear compartment door switch
13. Temperature adjustment button
14. Internal and external circulation selection button
15. Switch for adjusting the height of low beam axis for headlamp





Instrument Cluster



1. Speedometer
2. Tachometer
3. Fuel level display
4. Odometer
5. Trip odometer
6. Coolant temperature display

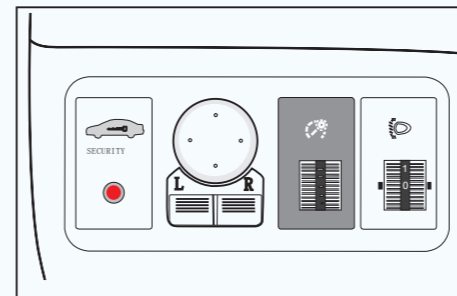
Instrument Cluster Indicator

	Brake system fault warning lamp*		Engine (OBD excluded) fault warning lamp*
	Safety belt unfastened indicator*		Too high water temperature warning lamp
	Battery charge indicator*		Parking brake indicator
	Too low oil pressure warning lamp*		Luggage boot ajar warning lamp
	OBD indicator*		Overdrive warning indicator (optional)
	ABS (anti-lock braking system) fault indicator*		Position indicator
	Door ajar warning and reverse radar display*		Headlamp high beam indicator
	SRS (Supplemental Restraint System) warning lamp*		Steering signal indicator(solely illuminating) Emergency lamp (simultaneously illuminating)

	Front fog light indicator		Rear fog light indicator
	Too low fuel indicator		Body control module warning lamp

Check and eliminate the concerned troubles immediately when the indicators with “*” are illuminated.

Regulating Switch for Background Luminance



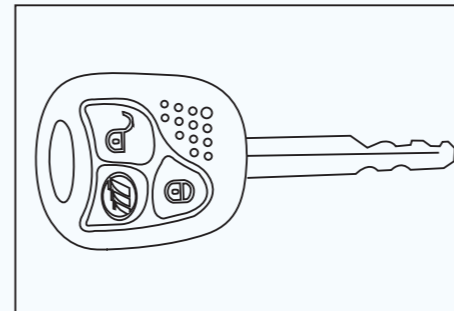
Turn the regulating button and adjust the background luminance for the instrument cluster when the position lamp is on.

Operation of Instrument and Controller

Key and Door

Key	18
Door	19
Remote Controller	21
Power Window	25
Luggage Hood	26
Engine Hood	28
Vehicle Anti-theft System	29
Fuel Tank Cover	32

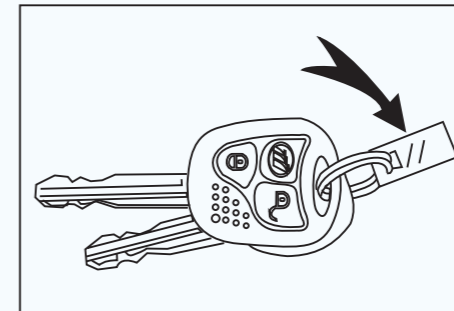
Key



Two kinds of keys are equipped for the vehicle

1. King key (with words printed on both sides)
—all the locks can be opened by the king key (1 set).
2. Queen key (with words on single side)—for valet parking or others.

Note: The luggage boot lock can not be opened by the queen key if it is locked by turning the king key counterclockwise.



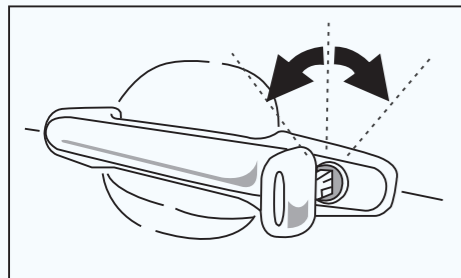
Key number plate

The key number is recorded on the number plate, and the key can be reproduced by providing the key number if it is lost or a spare key is needed. The key can be reproduced in Lifan sales service store or special repair station.

Please write down the key number and keep it in a safe place. It is not reasonable to leave it in the car.

Break the smallest window if the key is locked within the car to minimize the repair cost for the window. Take extra care not to be cut by the broken glass.

Door



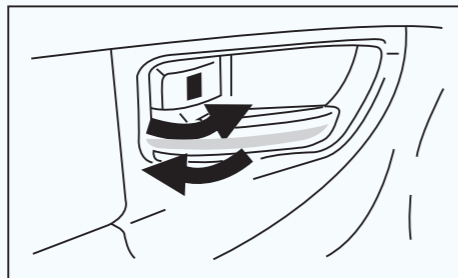
Lock and Unlock

Insert and turn the key in the key hole.

Unlock: Turn the key clockwise.

Lock: Turn the key counterclockwise.

The other doors can be locked and unlocked together with the door at the driver side when the central door locking is installed.



Locking Button of Internal Door Handle

Move the locking button.

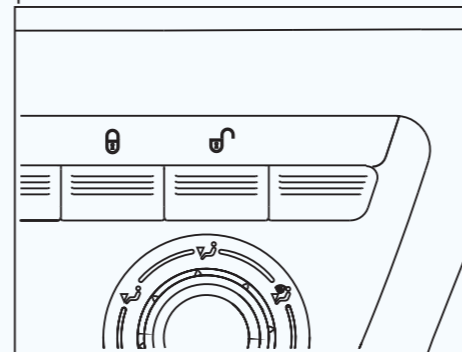
Unlock: Pull the button backwards.

Lock: Push the button forwards.

Set the button in locking position if need to close the door outside. Pull the handle outwards first if need to close the front doors at left and right side.


The door at the driver side can not be locked if it is unclosed and the ignition key is left in the ignition switch.


The door at the driver side can be opened in the vehicle even if the locking button of the internal handle is placed at the locking position.



Central Door Locking Switch at Driver Side

Press the switch.

Unlock : Press “” for the first time to open the left front door and the second time to open the rest three doors simultaneously.

Lock : Press “” to lock all the doors simultaneously.

Automatic Lock and Unlock of Door(Optional)

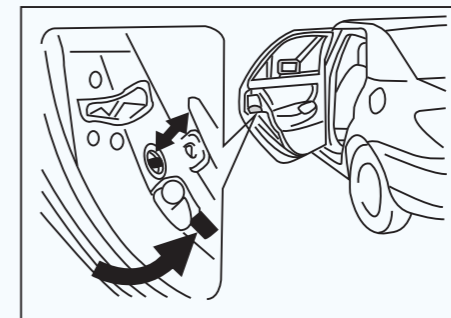
A. Automatic Lock (20 Km/h))

When vehicle speed exceeds 20Km/h, all doors will be locked automatically, while decelerating to below 20km/h and then accelerating to above 20km/h, the doors will not be locked again. However, after a stop of the vehicle with engine on, then close the door and continue to drive, when the speed exceeds 20km/h, the doors will be locked again. The lock can be automatically released when the ignition switch is disconnected.

B. Oil-cut and Unlock in Crash

The oil supply will be cut off at the BCM oil control end and the lock will be released automatically for three times when crash occurs.

Child Protection Lock (Rear Door)



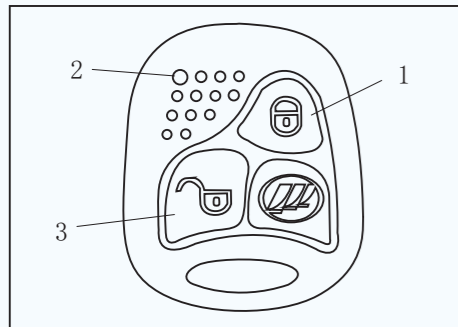
Move the lock bar to position “LOCK”, as shown in the figure.



The rear door can not be opened by the internal handle if it is locked by the child protection lock. Apply this protection lock at any time with child in your car.

Warning

Ensure all the doors are locked before driving, especially with child in your car. Correctly using safety belt and locking the doors can protect you from serious injury when crash occurs and prevent the doors opening accidentally.

Remote Controller



1. “” lock button
2. Indicator
3. “” unlock button

The remote controller is used to lock and unlock all the doors within a certain distance.

The controller is unavailable unless the operation indicator flashes.

Follow the instructions below to avoid damages on the controller:

- Do not place the controller in high temperature.
- Do not disassemble the controller.
- Avoid knocking or beating.
- Avoid water.

Several remote controllers can be considered for one car, please contact Lifan service station if necessary.


The following facts may lead to operation failure of the controller:


- The radio station or radio transmitter nearby.
- Exhausted battery.


Visit Lifan service station as soon as possible to delete the registered identification number and ask for repair for the remote controller if it is lost or damaged, in order to avoid vehicle theft or accident. Register the identification number again when applying for a new controller. Meanwhile, register the identification number for the spare controller.

“” Lock Button

Press lock button to lock the door. Release the button and then press it again to carry out another locking operation.


Lock: Press “” to make all the door locking motors to perform locking operation once, and the steering signal light will flash once at this moment. Then, the system will enter into anti-theft protection three seconds later.


Do not use “” to lock the door if the ignition key is left in the ignition switch and the four doors as well as the luggage boot are unclosed.

If the anti-theft protection is unavailable, the alarm will keep silent while the steering light will be lighted. Locking and other operations will not be carried out at this moment. Re-press “” only after the anti-theft protection is available again and the steering light has gone out.

Vehicle Locking & Warning Indication and Setting “” Unlocking Button

Cut off the ignition switch, pull out the ignition key and close all the doors. If the vehicle is not locked within 10 seconds, the locking operation will be indicated by the steering light and alarm for three times.

Press “” button to make the four door locking motors to perform locking operation once if the four doors has already been locked while the anti-theft protection is unavailable.

Release the alarm: When the alarm for anti-theft protection is activated, press “” button to make all the door locking motors to perform locking operation once and the alarm can be released at the same time, whether the door is locked or unlocked, then, the anti-theft protection for the vehicle is still available.

Press the unlocking button to unlock the door. Release the button and then press it to carry out another unlocking operation.

Unlock: Press the unlocking button on the remote controller to release the alarm. Then the four doors are unlocked, the steering light will flash for two times and the alarm will chime for two times also. Only carry out unlocking operation when the anti-theft protection is out of service.

The locking and unlocking buttons are unavailable when the ignition key is left in the ignition switch. Carry out locking and unlocking operation only after pulling out the ignition key.

If the roof light switch is at the “DOOR” position, the roof lights can be lighted by the remote controlled unlocking or the opening of any door. The roof light will go out if the door is not opened by remote controlled unlocking within 30 seconds. The illumination will be gradually weakened

8 seconds later after the door is closed or opened. And the light will go out gradually within another 5 seconds. The roof light will crush out immediately if press the locking button on the remote controller after closing the door.

The door can be opened within 30 seconds when pressing the unlocking button on the remote controller. If the door fails to be opened within 30 seconds, all doors will be automatically locked again.

Vehicle Tracing: The vehicle tracing function can be activated by continuously pressing the locking button on the remote controller equal or more than two seconds when the anti-theft protection is available. Then, the steering light will flash for 15 seconds (each chiming lasts for 0.2 seconds at an interval of 0.6 seconds). Press any button to stop the vehicle tracing function within 15 seconds (press the locking button to stop the tracing function and perform automatic locking operation, while press unlocking button to stop the tracing function and perform automatic unlocking operation).

Replace Battery for Remote Controller

Cr2016 lithium battery (two pieces) or equivalent battery is preferable. To renew the battery for the remote controller in Lifan service station is greatly recommended.

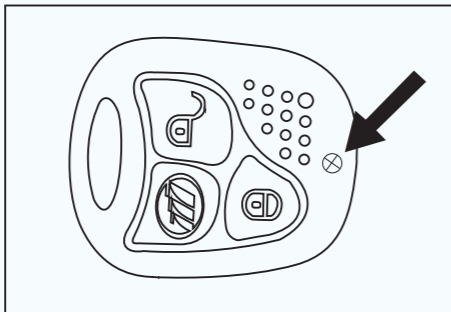
Note

Take care of the old battery and keep it away from the children.

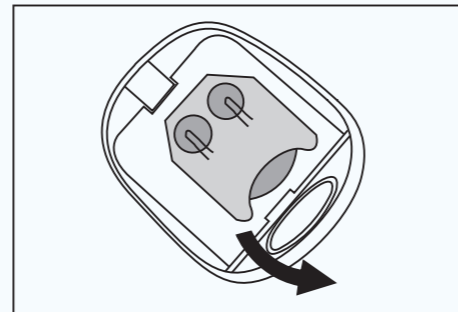
Note

Dispose the old battery according local regulations.

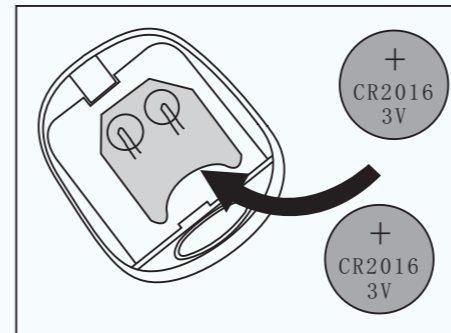
Battery Replacing Procedure:



1. Remove the connecting bolt with cross-tip screwdriver. Open the remote controller with flat-blade screwdriver or some similar tools.



2. Remove the old battery.



3. Put the new battery with the positive side (+) upwards into the remote controller, and then tighten the cover for the controller.

Note

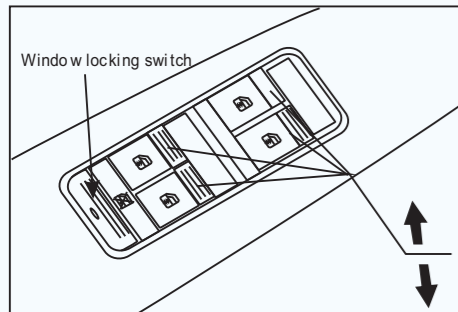
- Ensure “+” and “-” on the battery are correct.
- Do not replace the battery with wet hand to avoid rusting.
- Do not touch or move any part in the controller, or its performance can be affected.
- Take extra care not to bend the electrode when inserting the battery. Keep the internal of the controller box free from dust or oil and grease.
- Properly tighten the cover for the controller.

Check the controller for correct operation after renewing the battery. Contact Lifan service station if it still can not work after replacing the battery.

Warning

- Do not change or amplify the transmission power for the remote controller by yourself (do not additionally install transmission frequency amplifier), external connection or use of other transmission antenna by yourself is forbidden.
- Do not interfere various legal radio communication services when using the remote controller. Once interference occurs, stop using the controller immediately and adopt measures for interference elimination, only after which can the controller be used again.
- The interference from the radio activity or the radiated interference from the industrial, scientific and medical equipments is unavoidable when using micro-power radio device.

Power Window



Open: Press ($\leq 1s$) window regulator switch downwards to descend the window glass. Stop this operation by releasing the switch.

Automatic Operation:

Ascend: Press ($> 1s$) window regulator switch upwards to ascend the window glass, when reaching the top, the power will be cut off. The regulator will be automatically stopped after an operation of 8 seconds to protect the motor if the top detection signal is out of service. During ascending, if another operation for ascending or descending is carried out, the window glass will stop ascending, the power will be cut off when reaching the top.

Descend: Press ($> 1s$) window regulator switch downwards to descend the window glass, when reaching the bottom, the power will be cut off. The regulator will be automatically stopped after an operation of 8 seconds to protect the motor if the bottom detection signal is out of service. During descending, if another operation for ascending or descending is carried out, the window glass will stop descending, the power will be cut off when reaching the bottom.

Extended Operation Time

The window regulator still can be operated within 60 seconds after cutting off the ignition switch. The extended operation time for 60 seconds will be ended if the doors are closed and locked within 60 seconds.

Door Switch Operation

Keep ignition switch in position “ON” .

Window Operation (Driver Side)

The door switch at driver side can control all doors.

Normal Operation:

Close: Press ($\leq 1s$) window regulator switch upwards to ascend the window glass. Stop this operation by releasing the switch.

Automatic Close

Repress the locking button on the remote controller after locking the doors through the controller, the left front, right front, left rear, and right rear windows will be closed in turn at an interval of 0.5 second. The low-level signal of 2 seconds will be sent to sun roof regulator to close the sun roof 1 second later. Press any button to suspend the automatic ascending for windows.

Window Operation (Passenger Side)

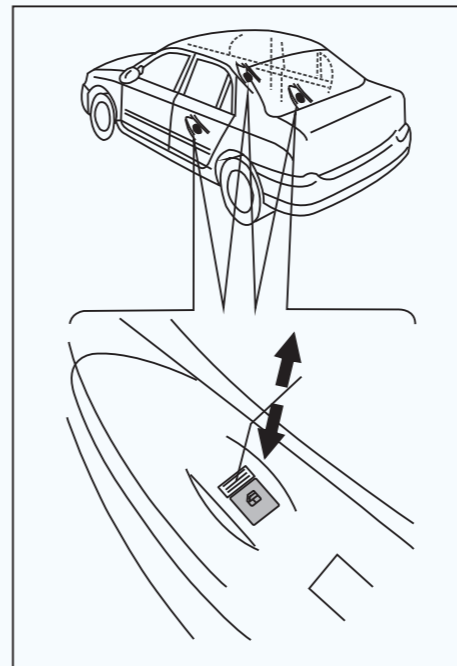
The door switch at passenger side or at driver side can control the window glass at passenger side.

Open: Press the switch downwards.

Close: Pull the switch upwards.

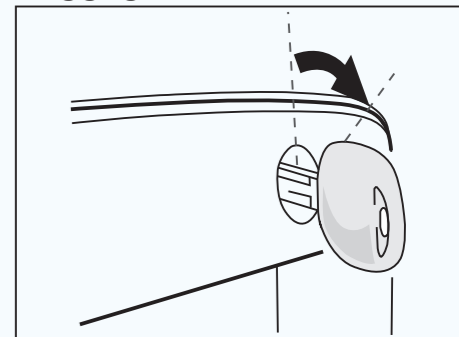
The window glass at passenger side can not be operated if it is locked by the door switch at driver side, and it can only be operated by the door switch at driver side.

Luggage Hood



Note

- Anti-trap function is unavailable for the power window. Take extra care for safety.
- Lock the power window with the door switch at driver side to prevent children from unexpectedly triggering the power window switch at passenger side.
- Ensure the ignition key has been taken off when leaving the car.
- The cut-off function for overheating is considered for the power window motor. It is normal for the motor to be out of service for a short time after frequent operations. Contact Lifan service station if it still keeps unavailable after a long time.



Insert the king key and turn it clockwise to open the luggage hood.

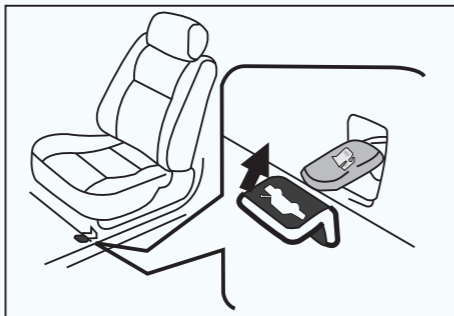
Refer to “Notes for Luggage Loading” (Chapter 3) for related information.

Close the luggage hood by pressing down the hood.

Note

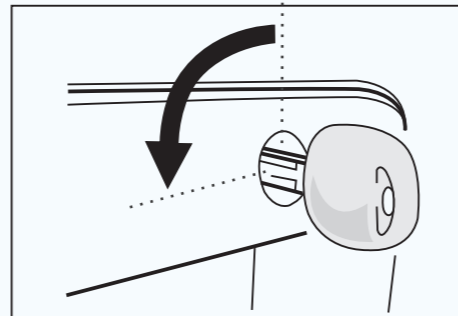
Close the luggage hood during driving to keep the luggage within the luggage boot and keep the exhausted gas out of the car.

Luggage Boot Control Handle



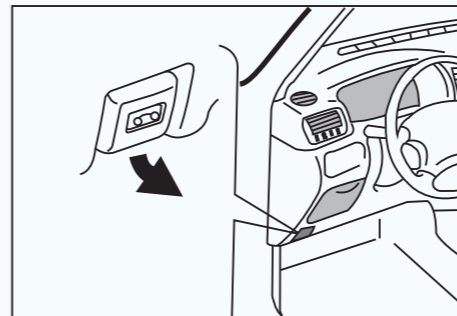
Pull the control handle upwards at the left of driver seat to automatically unlock the luggage boot.

Deactivate Luggage Boot Control Handle



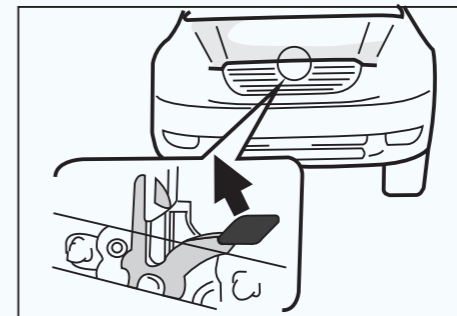
Insert the king key and turn it counterclockwise after closing the luggage hood. Then, the luggage boot control handle is deactivated and the luggage hood can not be opened by the queen key.

Engine Hood

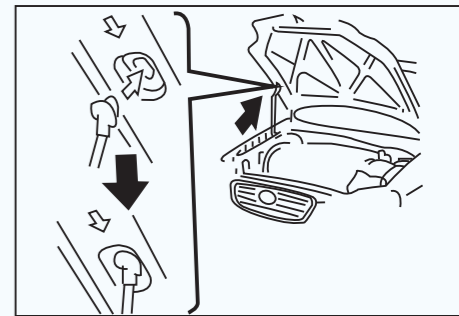


Open The Engine Hood

1. Pull the engine hood control handle outwards to open the engine hood.



2. Pull the engine hood assistant handle upwards in front of the vehicle.



3. Insert the supporting rod of the engine hood as shown in the figure to open the engine hood.

Check if any tool or wiping cloth is left with in the engine compartment before closing the engine hood. Reposition the supporting rod and drop down the engine hood. Make sure the engine hood is correctly locked.

Warning

Ensure the engine hood has been closed and locked before driving. Or accident may occur during driving when the engine hood is opened suddenly.

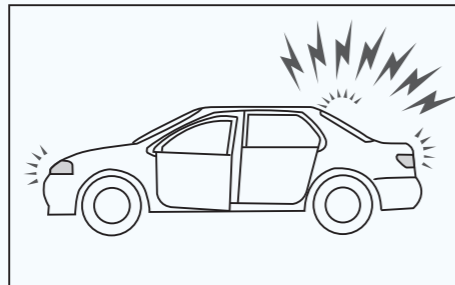
Vehicle Anti-theft System

Warning

Ensure stable supporting for the supporting rod to avoid personal injury caused by the dropping of engine hood.

Note

Check if any tool or wiping cloth is left within the engine compartment before closing the engine hood. Close the engine hood only after repositioning the supporting rod, or the engine hood can be deformed.

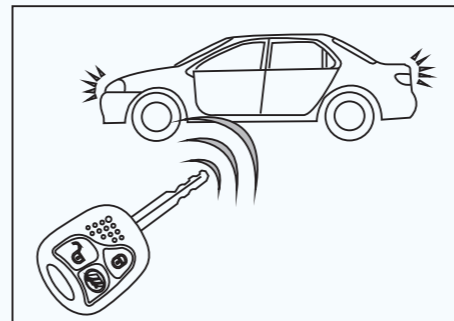


The vehicle anti-theft system will give alarms for the following situations if the vehicle is under anti-theft condition.

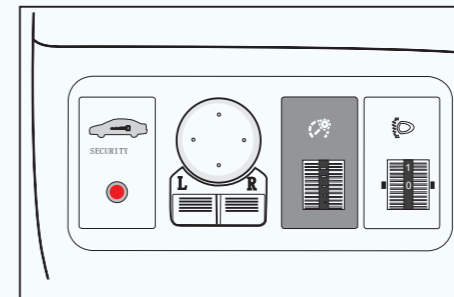
- Any door is opened.
- Ignition switch is turned to position "ON".
- The control component of battery or vehicle anti-theft system is disconnected or reconnected.
- The ignition key is inserted in.

When the above situation occurs, the oil supply will be cut off, with the warning voices from the alarm and the flashes from the steering light. The alarm will be stopped 20 seconds later, and the flashes of the steering light will go out in another 10 seconds. Press the unlocking button to release the warning and recover the control on oil supply by ignition switch.

Manual Setting



Set up vehicle anti-theft system with remote controller.



The anti-theft function can be selected only 1 second later after pressing "Ⓜ" button on the remote controller. Then, the anti-theft warning lamp starts to flash slowly.

The anti-theft function is unavailable under the following situation:


- Any door is opened.
- The buzzer will chime for 1 second. Then, reset the anti-theft system after closing the door.

It is a high-level anti-theft design to set up vehicle anti-theft system with remote controller. The starter can not be operated and the safety indicator flashes slowly when such anti-theft system is set up. The steering light will flash and the alarm will chime if something abnormal is discovered by the system. This function can be cancelled by pressing "Ⓜ" button on the remote controller.


When the anti-theft system is under operation, the anti-theft function can not be cancelled by unlocking the door with key and the engine can not be started. Press "Ⓜ" button first to cancel the anti-theft function and then the engine can be started.

Automatic Setting

This function is optional. Refer to “the Setting of Optional Function” for related information.

The anti-theft function will be automatically selected if the door is unlocked and the anti-theft function is not selected by the remote controller within 30 seconds after taking off the key and closing the door, engine hood as well as luggage boot. Then, the steering light will flash while the alarm will not chime if the ignition key is inserted into the ignition switch. The anti-theft function will be automatically cancelled if the key is turned to the position “ON”. The anti-theft function can also be cancelled by pressing “” button (low-level anti-theft design).

Cancel the Anti-theft Function

Press “” button, unlock all the doors and cancel the anti-theft function.

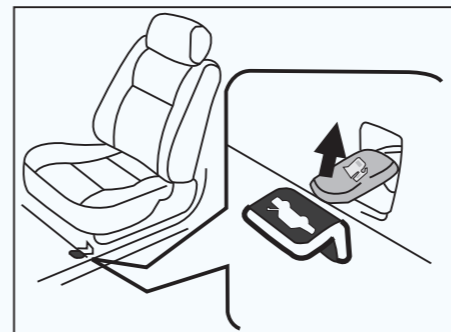
Confirm the Anti-theft Function:

- Inactivated vehicle anti-theft system: The steering signal lamp flashes twice.
- Activated vehicle anti-theft system: The steering signal lamp flashes three times, and the anti-theft warning lamp will go out when the ignition switch is turned to position “ON”.

When the vehicle anti-theft function is not available, the rear interior light (in position “DOOR”) and ignition key indicator will light up for about 30 seconds and then go out even with the door closed. (The extended illumination time for the two lights can be changed, refer to “Optional Anti-theft System” for detail).

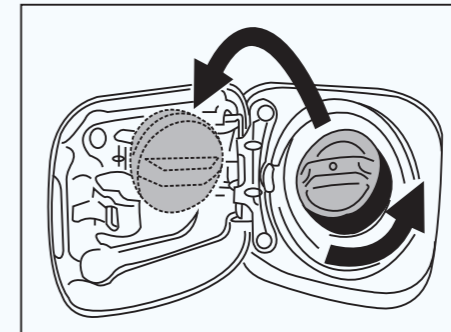
After the anti-theft function is cancelled, if no door is opened within 30 seconds, all the doors will be locked automatically and the anti-theft function will be available again.

Fuel Tank Cover



1. Pull up the internal control handle to open the cap of oil filler.

Stop the engine when filling oil.



2. Open the fuel tank cover and turn it counterclockwise. Take it away a moment later and hang it over the cover frame.

A normal small whoosh can be heard when opening the cover. Turn the cover clockwise until it clicks during installation.

Warning

- Ensure the cover is firmly tightened to avoid fuel overflowing when accident occurs.
- Adopt original LF620 fuel tank cover, which can adjust the pressure in the tank.

Warning

- Follow oil filling regulations to avoid fire caused by spark or flame.
- Do not take away the fuel tank cover soon after opening the cover. In hot summer, the fuel under pressure may spurt out and personal injury may occur if it is immediately taken away.

Chapter 1-3

Operation of Instrument and Controller

Seat, Safety Belt, Steering Wheel and Rearview Mirror	
Seat.....	34
Front Seat	34
Headrest.....	36
Middle Armrest of Rear Seat	37
Safety Belt	37
Air Bag for Driver and Front Passenger.....	45
Steering Wheel	53
Power Steering System.....	53
Electric Exterior Rearview Mirror.....	54
Interior Rearview Mirror.....	55
Vanity Mirror.....	55

Seat

When driving, passengers in the vehicle should adjust the seat backrest to a proper position and use the safety belt correctly.

Warning

- Do not drive the vehicle before the passengers sit down and are fastened with the safety belt. Sitting on the folded seat backrest or among luggage or on cargo is not allowed, otherwise, serious injury will occur in case of emergency brake or crash.
- When driving, it is not allowed that passenger stands up or moves among the seats. Otherwise, serious injury will occur in case of emergency brake or crash.

Front Seat

Notes for Seat Adjustment

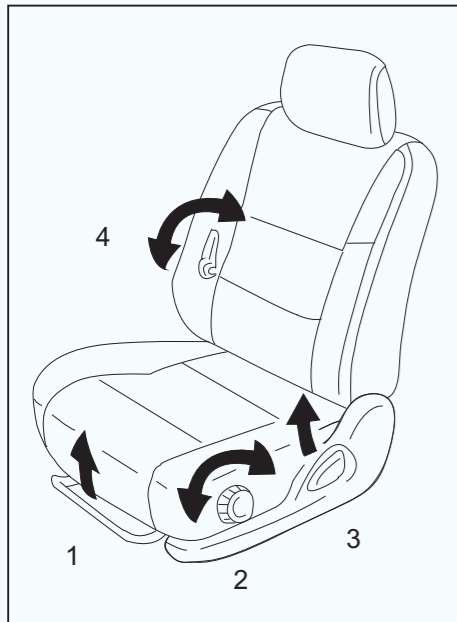
Adjust driver seat in order that the driver can easily control the foot pedal, steering wheel and dashboard controller.

Note

- Do not adjust seat when driving; otherwise, the incident that the driver can not control the vehicle may occur.
- Pay attention not to making seat knock against passengers or luggage when adjusting seats.
- Slide the seat forward and backward to ensure the seat is locked after it is adjusted.
- Lean your body backward to ensure seat backrest is locked after it is adjusted.

- Do not place objects under the seat, which will affect seat locking mechanism or push the seat adjusting lever upward accidentally, causing seat to move abruptly. Thus the driver can not control the vehicle.
- Do not put your hand under the seat or near the moving component when adjusting the seat. Otherwise, you hand or fingers may be jammed.

Front Seat Adjustment



1. Seat Adjusting Lever

Hold the middle part of seat adjusting lever, and pull it upward. Slide the seat with a slight pressure from body to a needed position, and then release the adjusting lever.

2. Seat Height Adjusting Knob

Turn the adjusting knob to adjust the seat to a proper position.

3. Seat Backrest Angle Adjusting Lever

Pull the angle adjusting lever upward. Adjust it to a needed position, and then release the lever.

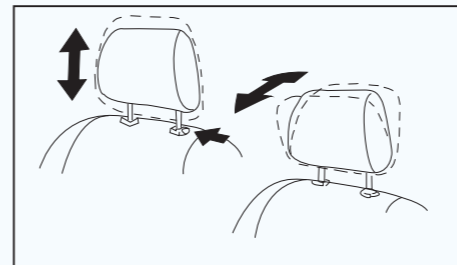
4. Seat Waist Support Adjusting Lever

Move the adjusting lever forward or backward, then the waist support can be adjusted.

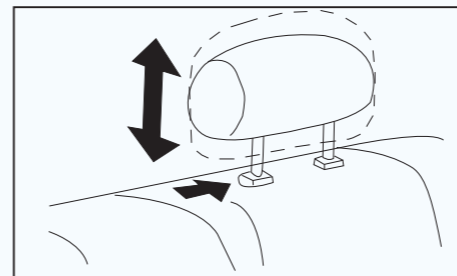
Note

To effectively protect passengers in a crash, the seat backrest of driver and passengers should be adjusted to the angle where your back can be rested on the seat backrest when sitting straightly. In this case, the safety belt can play a full role in a crash. If the seat backrest is inclined with a large angle and your body leans on the seat, the safety belt may slip your hip and press on your stomach, thus risk of injury is increased.

Headrest



Front



Back

For safety and comfort, headrest should be adjusted before driving.

Ascend: Pull it up.

Descend: Press it down when pressing the lock-release button.

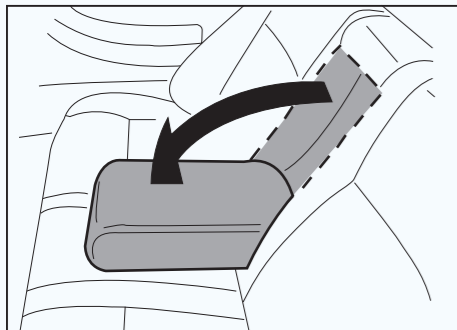
The headrest can be moved forward as well as backward. If adjustment is needed, pull or press the headrest at your nape.

The nearer your head is to the headrest, the more effective it can be. Thus, headrest pad is not required on the seat backrest.

Note

- Adjust the middle part of headrest to almost above your ear.
- Ensure headrest is locked after it is adjusted.
- Do not drive the vehicle without headrest.

Middle Armrest of Rear Seat



Pull out the middle armrest of rear seat as shown above when using.

Safety Belt

Notes for Safety Belt

Note
Lifan particularly emphasizes driver and passengers should be fastened with the safety belt at all times. Otherwise, possibility of injury and/or serious injury may increase in an accident.

The equipped safety belt is designed for adults, and child can sit on the rear seat and must be fastened with safety belt. According to the statistics for accidents, it is safer when the child sits with a right protection on the rear seat instead of on the front seat.

If child has to sit on the front seat, he/she should be fastened with safety belt correctly. If child has not been fastened well in case of an accident, rapid deployment of air bag will cause child to suffer serious injury or death.

Whether child sits on the front seat or rear seat, standing or kneeling on the seat is not allowed. In case of emergency brake or crash, unprotected child will suffer serious injury or death. Similarly, child, sitting on someone's legs, can not be well protected.

Warning
When driving, passengers should sit on the seat and be fastened with safety belt correctly. Otherwise, in case of emergency brake or crash, passengers will suffer serious injury or death more easily.

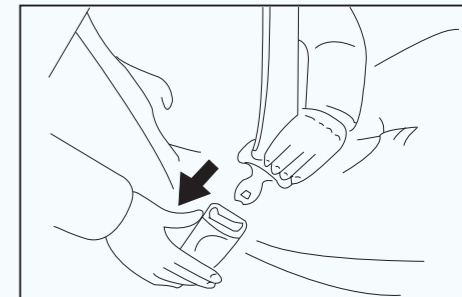
Observe the following instructions when using safety belt:

- One person uses one safety belt at one time. A safety belt can not be shared by two persons or more, even children.
- Avoid the seat backrest excessively inclining. The safety belt can be brought into full play when seat backrest at its straight upward position (See the seat adjustment instruction).
- It should be noted that strap or hardware of the safety belt should not be damaged, and both of them should not be locked or nipped by seat or door.
- Check the safety belt system periodically. Check the component for incision, abrasion and slack. If damage is found, replace the damaged component. Removing or retrofitting the system is not allowed.

- Keep the safety belt clean and dry. Wash the safety belt with mild soapsuds or tepid water. Washing with decolourant, dye solution or grinding detergent is forbidden. Otherwise, serious damage will be caused to safety belt (See Chapter 5 "Inner Cleaning").

- If a serious crash has happened, the safety belt mechanism (including bolts) should be replaced. Even if damage is not obvious, the mechanism still needs replacing.

Three-point Safety Belt



Adjust the seat as required. Pull the safety belt out of retractor, and then plug the belt head into buckle when fastening the safety belt.

A "click" will be heard when the belt head is plugged into buckle.

The length of safety belt can adjusted automatically according to the shape of passenger and position of seat.

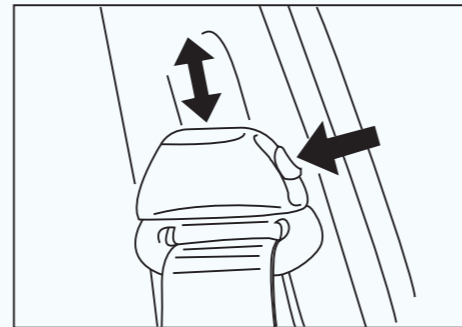
In case of emergency brake or crash or incline fast forward, the retractor will lock the safety belt. The safety belt can be stretched for your free movement when driving vehicle slowly and stably.

If the safety belt can not be pulled out from retractor, it can be solved as long as you strain at it and then release it.

When the shoulder belt of the rear passenger is completely stretched, the safety belt is locked at that position and can not be stretched any more if the shoulder belt is slightly shortened. The safety belt can be released again only when fully retracted, and then pull it out.

Warning

- Ensure the belt head and buckle are fastened steadily and safety belt is not twisted after the belt head plugged.
- Do not plug such objects as coin and paper clip into the buckle in order that the belt head can be rightly bolted with the buckle.
- Repair the safety belt at the Lifan service station as soon as possible if its function is abnormal: Do not use this seat until its safety belt has been repaired for it can not protect passenger or child in case of an accident, otherwise, injury is inevitable.



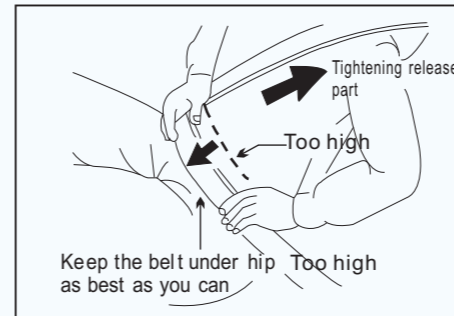
Safety Belt with Height Adjustable Device

Adjust the height adjustable device to a proper position.

Ascend: Press the adjusting button of height adjustable device and slide the device upwards.

Descend: Press the adjusting button of height adjustable device and slide the device downwards.

Ensure the height adjustable device is locked after adjusted.

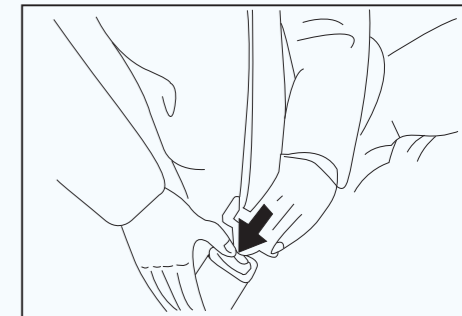


Adjust the safety belt at your waist and shoulder.

Keep the waist belt under hip as best as possible; do not buckle it at waist. Pull up part of the shoulder belt through latch plate and then adjust the safety belt to a proper position.

Warning

- If the waist belt is fastened at a higher position and the safety belt is worn loosely, serious injury will be caused for the belt will slide to the part below waist in a crash or other accidents. Keep the waist belt under hip as best as possible.
- For safety, shoulder belt should not be placed under arm.



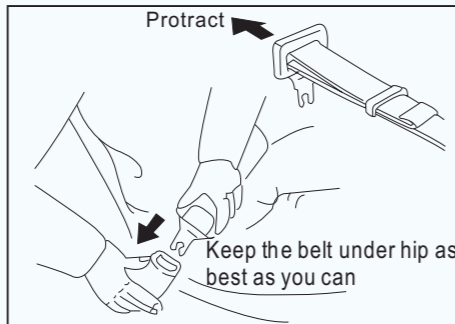
Press the release button on the buckle when loosening the safety belt. And the belt will be retracted automatically.

If the safety belt can not be retracted automatically and smoothly, pull it out and check whether there is knot or distortion. Make sure no distortion exists when retracted.

Warning

Make sure shoulder belt goes across the middle of shoulder. The safety belt should keep away from the neck, but the belt should not be slipped from shoulder. Otherwise, the protection from safety belt will be decreased in case of accident, and injury will be caused in a crash.

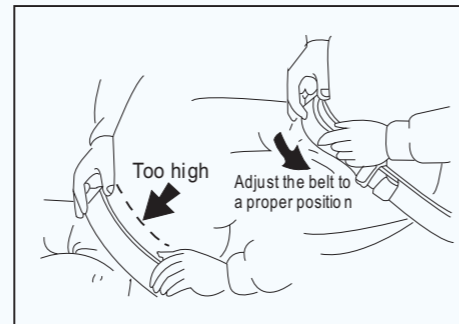
Two-point Safety Belt



The belt head can be plugged into the buckle when fastening safety belt.

A “click” will be heard when the belt head is plugged into the buckle.

If the safety belt is not long enough, keep a right angle between the belt head and safety belt. Then pull the belt head.



Retract the too-long portion of safety belt and adjust the belt.

Pull the unfastened terminal of safety belt when shortening the belt.

Keep the waist belt under hip as best as you can, and it can not be tied at your waist. Then adjust the safety belt to a proper position.

Warning

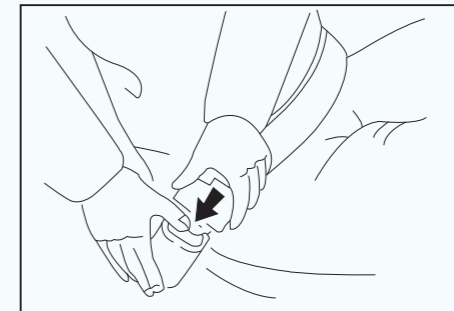
If the waist belt is loosely mounted at a higher position, serious injury will be caused because the belt will slide downwards in a crash or other accidents. Keep the waist belt under hip as best as you can.

Warning

- Ensure the belt head and buckle are fastened steadily and safety belt is not twisted after the belt head plugged.

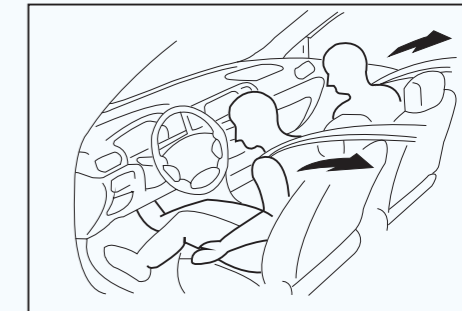
- Do not plug such objects as coin and paper clip in the buckle in order that the belt head can be rightly bolted with buckle.

- Repair the safety belt at Lifan service station at once if its function is abnormal. Do not use this seat until its safety belt has been repaired.



Press the release button on the buckle when loosening the safety belt.

Front Seat Belt Pretensioner

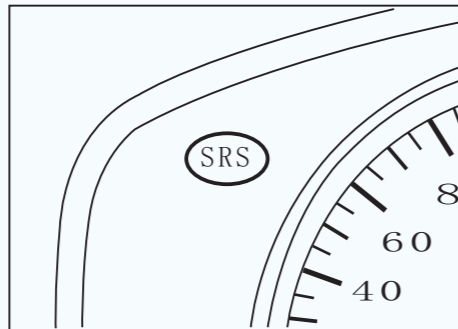


The safety belt pretensioner of driver and front passenger will provide protection for them in case of a frontal crash.

Retractor will pull the safety belt backwards immediately when air bag sensor detects a collision or crash. In this case, the safety belt can tightly tether the front passenger.

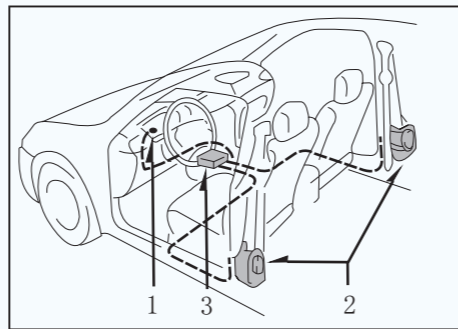
The front safety belt pretensioner is still in operation even if there is no person in the front seat.

Safety belt pretensioner and SRS air bag may not work at the same time in a crash with certain speed and angle.



SRS warning lamp is lighted when turning the ignition key to “ON”, and then it goes out after about 5s, which indicates the front safety belt pretensioner works normally.

The warning lamp system is to monitor the air bag ECU, safety belt pretensioner assembly, air charging device, warning lamp, wiring and power supply (See Section 1-5 “Maintenance Indicator and Warning Buzzer” for detail).



The front safety belt pretensioner system includes the following assemblies, whose positions are shown in the above figure.

1. SRS warning lamp
2. Safety belt pretensioner assembly
3. Air bag ECU (Electronic Control Unit)

The front safety belt pretensioner assembly is controlled by air bag ECU.

When the front safety belt pretensioner in operation, operation noise can be heard

and a bit of smoke like gas will be given out. This gas is harmless and does not mean a fire as well.

Once the front safety belt pretensioner is working, safety belt retractor will be kept under its locking state.

Warning

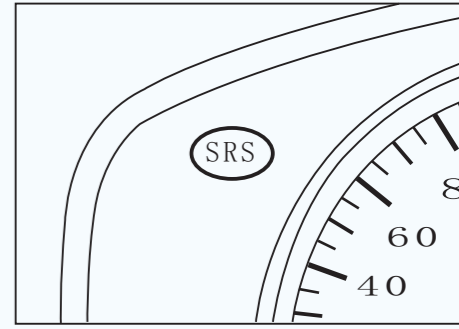
The front safety belt pretensioner assembly, air bag sensor or its surrounding wiring is not allowed to be retrofitted, removed, knocked or opened. Otherwise, it will result in a sudden operation of the front safety belt pretensioner or cause an ineffective system, and finally cause an accident.

Contact Lifan service station for any repair and retrofit.

Warning

Any of the following alteration is not allowed before consulting the personnel at Lifan service station. Such alteration may influence the normal operation of the front safety belt pretensioner under some circumstances.

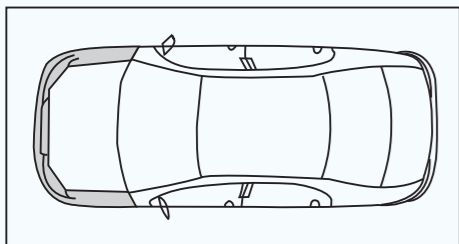
- Install such electronic devices as movable two-way radio communication device, cassette phonograph or small disc phonograph.
- Repair on or near the front safety belt retractor assembly.
- Retrofit the suspension device.
- Retrofit the front structure.
- Install grid protection device or other supplementary equipment in front part.
- Repair on or near the front fender, front structure or bracket.



The maintenance indicator in the front safety belt pretensioner system is used to indicate the operation trouble happening to the driver. Any of the following situations indicates the abnormality of air bag or pretensioner. Repair the vehicle at Lifan service station at once in case of such situation.

- The maintenance indicator is not lighted or kept on when turning the ignition key to “ON”.
- This indicator will light up or twinkle when driving.

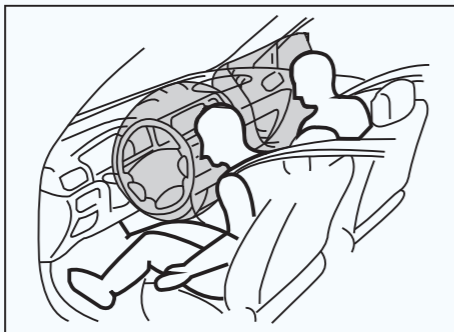
- Abnormality or activation of the front safety belt pretensioner will cause the front safety belt not to be retracted or pulled out.



Inspect and repair the vehicle at Lifan service station at once in case of the following situations.

- An accident in the front part of the vehicle (shaded portion in the figure) does not make the front safety belt pretensioner work.
- Front safety belt pretensioner assembly or its surrounding part is scratched, split or damaged due to other reasons.

Air Bag for Driver and Front Passenger



Air bag system is a supplemental restraint system (SRS), which is a supplement to the seat belt. The system can provide an additional protection for the head and chest of driver and passenger in a frontal crash and reduce injury and death.

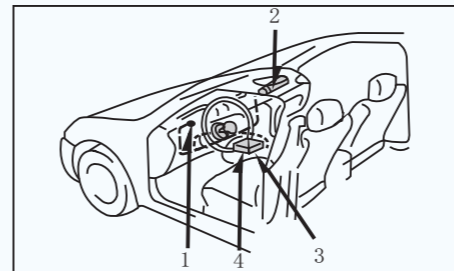
The air bag system can not take place of the safety belt, for it is just a part of the whole passive safety protection system in vehicle. Additionally, please be noted that the air bag system brings into its largest protective

play only when working with well-fastened safety belt. Therefore, for your and your family's safety, pay extra attention to "Note" and "Friendly Tips" in this part.

Note

- Use safety belt at all times when driving!
- Keep the right sitting posture, in this case, the safety belt and air bag system can bring their largest protective play!
- Rear seat is much safer for child under 12 years old!
- Installation and removal of air bag component without permission are not allowed!

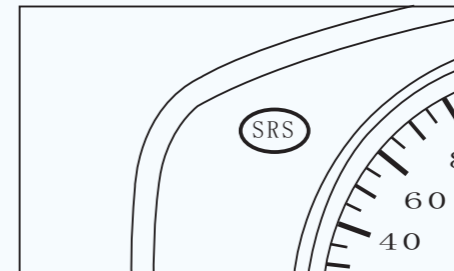
System Component



SRS air bag system includes the following assemblies, whose positions are shown in the above figure.

- SRS warning lamp
- Front passenger air bag assembly (air bag and air charging device)
- Driver air bag assembly (air bag and air charging device)
- Air bag ECU (Electronic Control Unit) It consists of a safety sensor and safety air bag sensor.

Air Bag Warning Lamp



The air bag system, monitored by ECU, has a self-diagnostic function. It indicates the system status through the warning lamp on the instrument panel:

- After the ignition switch is turned on, the air bag warning lamp lights up for about 5s, and then goes out. In this case, the system is normal.
- If the air bag has been closed by Lifan service station, warning lamp will be always on when turning on the ignition switch, which means this system provides no protection at this moment.

The warning lamp system is to monitor the air bag ECU, front seat safety belt pretensioner assembly, air charging device, warning lamp, wiring and power supply (See Section 1-5 "Maintenance Indicator and Warning Buzzer" for detail).

Note

The following situations indicate that the air bag system has troubles or has been closed.

- Warning lamp can not light up when turning on the ignition switch.
- Warning lamp can not go out after 5s or twinkles again and lights up after going out when turning on the ignition switch.
- The warning lamp will light up again after the ignition switch is closed.
- Warning lamp twinkles or lights up when driving.

Warning

Check the air bag system at Lifan service station immediately in case of the above phenomena. Otherwise, the system may not work normally when accident occurs.

Conditions for Triggering Air Bag

Conditions for triggering air bag are designed as follows: Air bag system will be triggered in case of a frontal crash to certain extent; air bag system may be triggered in case of a special crash.

Generally, the air bag system will not be triggered in case of a slight frontal crash and side impact, or bump against the rear part of the vehicle, or overturn of the vehicle. Under such circumstances, driver and passenger can be protected by their safety belts.

Decisive factor for triggering air bag system: Give an overall intelligent comparison between the set value and deceleration curve produced in a crash and required by ECU and then make a judgement. The air bag will not be triggered if the produced and detected deceleration signal is below the related referential set value in the ECU, although the vehicle may have been distorted seriously in the crash.

When setting the ECU of air bag system, Lifan as fully considered the various common misuses and road conditions in China. However, due to the various causes and physical conditions of crashes, and for your safety, please observe the instruction manual strictly when using vehicle to avoid misusing. Otherwise, the expected effect for air bag can not be ensured.

Protective Process of Air Bag

Once the air bag system is triggered, air will enter into the air bag at once and will expand and inflate in front of driver and passenger. They will sink into the deployed air bag, and then forward dashing inertia is reduced, thus head, neck and chest injuries of the driver and passenger will be reduced.

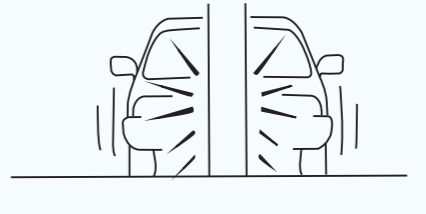
Developed with a special purpose, the deployed air bag will absorb energy and discharge the air at certain rate and reduce the force against driver and passenger when the bag is squeezed by them after deployment, thus to reduce the injury. After the accident, air in the deployed bag almost discharges out, so the bag will not block your vision ahead.

The Situations That Air Bag Will Not Explode

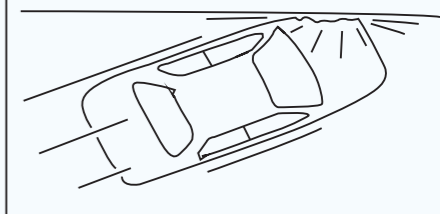
The deployment of air bag can be finished in a fraction of a second. Thus the air bag can provide protection for driver and passenger in case of an accident.

Deployment of air bag will cause a large noise, but it will not cause injury to people in most cases (the possibility of tinnitus or temporary hearing loss is not excluded. However, this phenomenon will disappear quickly). The air, produced by the deployment of air bag, may have an odor and will affect your appetite, but it will not cause toxicosis. In the process of charging air, the air bag will give out a bit of smoke, which is a normal phenomenon. No fire will occur, so worry is unnecessary.

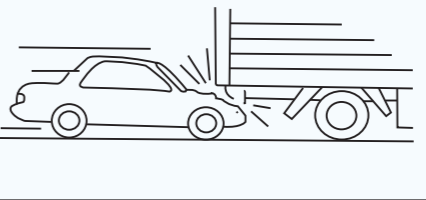
The vehicle bumps against cement pillar, tree or other slender objects.



The vehicle bumps against the wall with its side part.

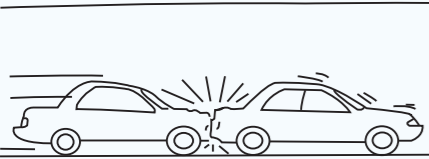


The vehicle bumps against the lower part of a truck.



Air bag may not be triggered in the above three situations.

The rear is bumped by another vehicle.



The vehicle turns over on one side.

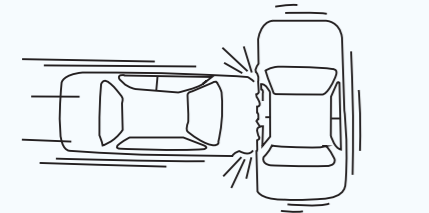


Situations That Air Bag May Explode

The vehicle bumps against the safety island, bulge beside road or stone beside street etc.

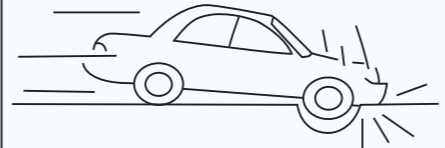


The side is bumped by another vehicle.

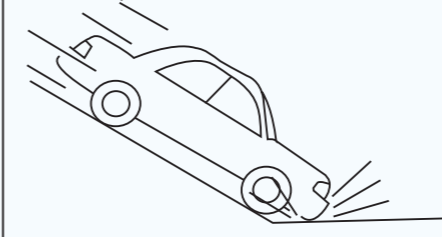


SRS air bag may not be triggered in case of accidents that the side or rear of the vehicle is crashed by another vehicle; the vehicle turns over or is bumped at a slow speed.

The vehicle bumps into a deep pit.



The bottom bumps against the ground when driving down a slope.



SRS air bag may be triggered when the vehicle suffers the serious wallop from the bottom, which is shown in the above figures.

Warning

- Air bag is developed and matched for the designated vehicles, any modification to suspension, tire size, bumper, chassis and the originally equipped device will affect the air bag system. Additionally, transferring any component of air bag system to the vehicles of other models is not allowed, otherwise, the air bag system may be out of service, thus injuries are caused.

- Fasten the safety belt and keep the right sitting posture when driving. Risk of injury will increase in an accident which causes the air bag system to be triggered, if the safety belt is not fastened or sitting posture is wrong.

- It is vital for driver to keep a distance of at least 25cm between chest and steering wheel. In this case, the system can provide the most effective protection for the driver when it is triggered.

- Any object can not be stuck or placed on the surface of steering wheel ornamental cap and the surface near the front passenger air bag, or other decoration is not allowed to these surfaces. Use slightly wet or dipped rag to clean the two surfaces, and beating the two surfaces is not allowed.

- It is forbidden that child sits in the front seat without any protection. Child may suffer a serious injury or even death if air bag is triggered in an accident.

- No person, animal or object is allowed among driver, front passenger and air bag. It is very dangerous for children if they sit on an adult's legs in the front seat.

- Any accessory, such as phone support, cup and ashtray, is forbidden to be installed on the air bag ornamental cap or within the action area of air bag. Otherwise, risk of injury will increase if air bag is triggered in an accident.

- Forbid changing any assembly of air bag system, including the corresponding label.
- Any operation on air bag, including removal and installation of components in the system due to the repair work for other parts (e.g. removal of steering wheel), can only be accomplished by Lifan service station.
- Replace the air bag system within 10 years since the manufacturing date (labeled on the certificate of the vehicle and tag within the engine compartment). The replacing work should be done by Lifan service station. Record should be made if a certain component of the air bag system has been replaced before this date.
- Air bag can provide protection once only. Once the air bag is triggered or damaged, this system must be replaced.

- Hand all enclosed materials to the new owner when transferring the vehicle. Please be noted that if the air bag has been closed, hand this data to the new owner as well.
- Observe the related safety provisions and scrapping procedure when scrapping any component of the vehicle or air bag system. Scrapping disposal must be done by Lifan service station or the similar qualified units.
- Air bag system can resist the electromagnetic interference and disturbance. However, to avoid accident, use the vehicle under the electromagnetic environment permitted by the state.
- Air bag system of LF620 has taken the common misuse situations and road conditions in China into consideration. However, to avoid

accident, do not make the vehicle bottom suffer a serious bump or drive it recklessly on a bad road.

Close Air Bag

As stipulated, the air bag for driver and front passenger will be closed under some conditions, for example:

- Twenty five centimeters between the middle part of steering wheel and chest of driver can not be ensured, although the driver seat is adjusted at a right position.
- A special device needs to be installed for the disable within the action area of air bag of steering wheel.
- The area can not be guaranteed within the preset position area at factory when the front passenger seat needs to be adjusted for some reason.

Closing work for air bag system should be done by Lifan service station. They will label a tag on the corresponding part and make a record after closing certain air bag.

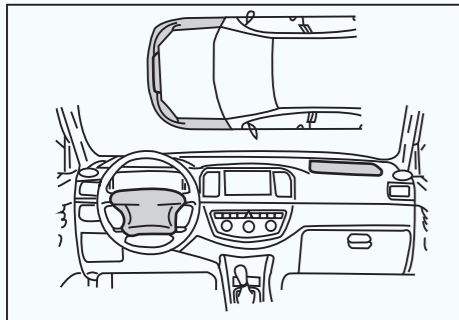
Warning

If the air bag needs to be closed under some special situations, the closing work should be done by Lifan service station. Otherwise, serious injury or death may happen!

Reopen the closed air bag as soon as possible to recover its protective function!

Other Matters

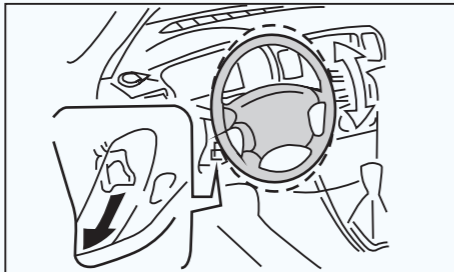
- If you want to transfer or demolish your vehicle, read the manual carefully and inform the new owner or demolishing unit that your vehicle has been equipped with air bag system, and suggest them to read this manual carefully.
- Avoid contacting the air bag mould assembly directly (otherwise you may suffer scald or toxicosis) after the air bag system played its role. Removal work for air bag should be done by Lifan service station. Once the air bag system plays its role, replace a new one at once.
- Air bag system plays its role in case of a frontal crash to certain extent. No problem may exist in the system itself even though it is not triggered. Damage of vehicle or abnormal repair can affect the normal operation of air bag system.



Contact Lifan service station at once in case of the following situations:

- SRS air bag has been triggered.
- An accident at the front part of vehicle (shaded portion in the figure) can not make the SRS air bag deploy.
- Gasket section of steering wheel or air bag cap of front passenger (shaded portion in the figure) has been scratched, split or has other damages.

Steering Wheel



Hold the steering wheel and press down the adjusting lever of steering column, incline the steering wheel to a needed angle and then lock the adjusting lever when changing the inclining angle of steering wheel.

Warning

- Adjusting steel wheel is not allowed when driving. This action may cause driver to steer the vehicle by mistake, thus accident happens.
- Move the steering wheel up and down and make sure the position is locked after adjusting it.

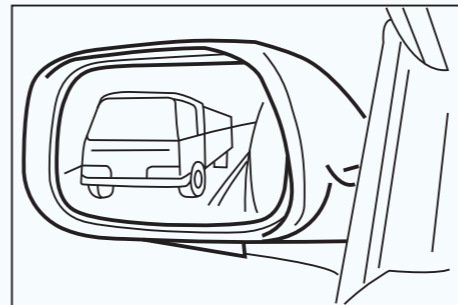
Power Steering System

Power steering system does not work if the engine stops. Therefore, a larger operating force is needed to operate the steering wheel. Do not make the engine stop when driving. Additionally, check the level of the steering fluid for power steering device regularly.

Note

For the vehicle equipped with power steering device, do not turn the steering wheel to its limit, for this will damage the power steering pump due to bad lubrication.

Electric Exterior Rearview Mirror

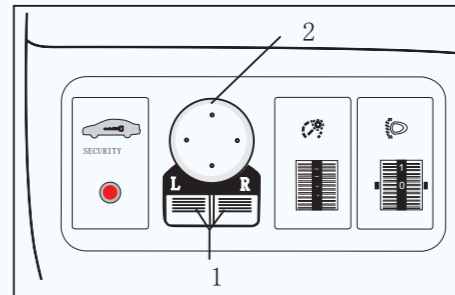


Adjust the electric exterior rearview mirror to the position that you can see the side of vehicle in the rearview mirror.

Warning

Do not adjust the rearview mirror when driving. This action may cause driver to steer the vehicle by mistake, thus accident happens.

Electric Exterior Rearview Mirror Switch



Adjust exterior rearview mirror with this switch.

1. Selection switch, used to select the exterior rearview mirror which needs adjusting. Press switch to "L" (left) or "R" (right).
2. Control switch is used to adjust exterior rearview mirror. Press the switch as per the direction required.

The mirror can be adjusted when the key at "ACC" or "ON".

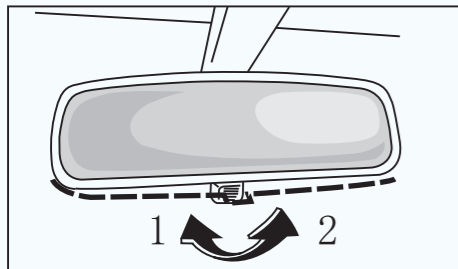
Note

Do not operate the switches or scrape the surface of rearview mirror if the mirror is frosted. Adjust it after the deicing with spray deicer or other methods.

Warning

- Do not touch the rearview mirror when moving, avoiding injuries and rearview mirror fault.
- Do not drive the vehicle when the rearview mirror is folding backward. Unfold and correctly adjust the rearview mirror at driver and passenger side.

Interior Rearview Mirror



Adjust the interior rearview mirror to a proper position so that you can see the rear part of vehicle in the mirror.

Adjust the interior rearview mirror as per the direction 2 shown in the above figure to weaken the light from the headlight of vehicles behind it and prevent against dazzle when driving at night.

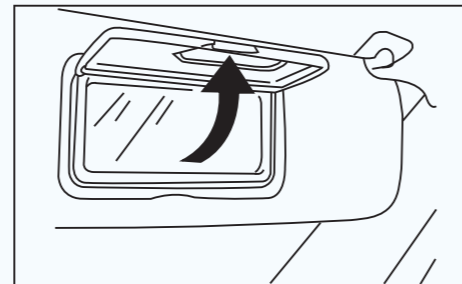
Joystick at Position 1 in daytime: Rearview mirror boasts a good definition at this position.

Joystick at Position 2 at night: Bear in mind that to decrease glare, the definition of rearview mirror will be reduced.

Warning

Do not adjust the rearview mirror when driving. Otherwise, this action may cause driver to steer the vehicle by mistake, thus accident happens.

Vanity Mirror



On the sunshade of driver and front passenger has a vanity mirror. Fold down the sunshade and open the cover when using the mirror.

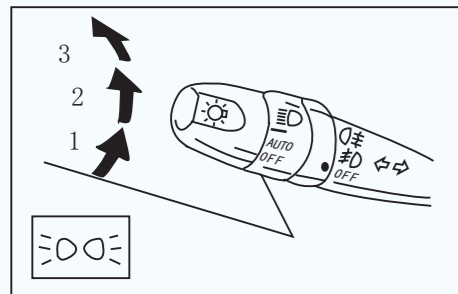
Section 1-4

Operation of Instrument and Controller

Illumination, wiper and demister

Headlight and Turn Signal Lamp	58
High-mounted Brake Lamp	60
Emergency Light	60
Front Fog Light	61
Rear Fog Light	61
Rear Interior Light	61
Ignition Key Indicator	62
Front Windshield Wiper and Cleaner	62
Defroster Switch of Rear Windshield	63

Headlight and Turn Signal Lamp



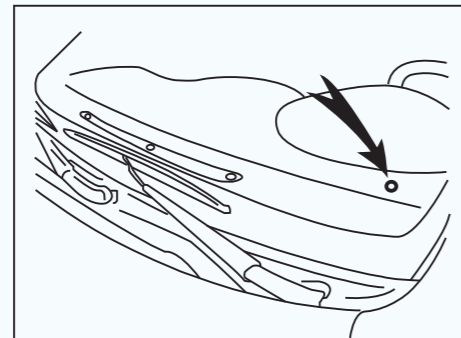
Headlight:

Turn on the following lights:

Position 1 (“AUTO”) --- Turn on the headlight. Position light, license plate lamp, taillight, and indicator on the instrument cluster are turned on. These lights will be turned on or off automatically according to the brightness of ambient environment.

Position 2 --- Turn on the position light. License plate lamp, dashboard illumination, taillight and indicator on the instrument cluster will be on.

Position 3 --- Turn on the headlight and all the above lights. Turn the button to Position 3 with your hand to turn on the headlight when going into a place which needs light, such as a dark tunnel and parking lot.

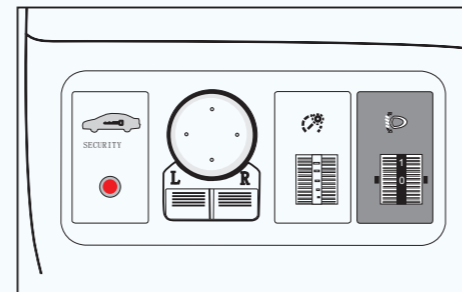


Sun light sensor is located at the top of dashboard at driver side.

Do not place any object on the instrument cluster and do not label any object on the windshield. Otherwise, normal operation of sensor will be affected.

Adjust the sensor at Lifan service station if you feel the automatic light control responds too fast or too slow.

Headlight Leveling Switch (Optional)

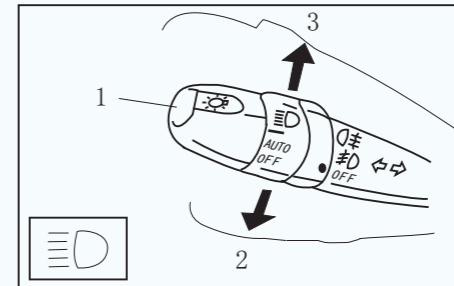


Turn the headlight leveling knob to adjust the levelness of headlight beam.

The headlight will be turned off automatically when switching ignition key from “ON” to “ACC” or “LOCK”. Locate the ignition key to “ON” once again if you want to turn on the headlight again.

Note

To avoid the battery discharging, do not keep the lights on for a long time when the engine is not in operation.

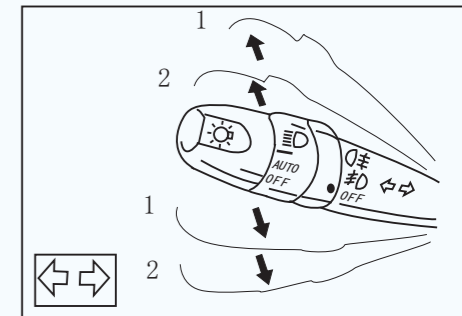


High/low beam --- Turn the left combination switch to the headlight position and push down the switch handle (Position 2) when using high beam. And turn the switch handle to Position 1 when using low beam.

Headlight high beam indicator (blue) on instrument cluster indicates high beam is on.

Overtaking signal (Position 3) --- Uplift the switch handle, and then the headlight beam twinkles. When releasing the lever, the headlight high beam glitters and then is turned off.

The headlight high beam can also twinkle if turning the knob to “OFF”.



Turn Signal Lamp

Press the left combination switch forward or backward to Position 1 before sending the turn signal.

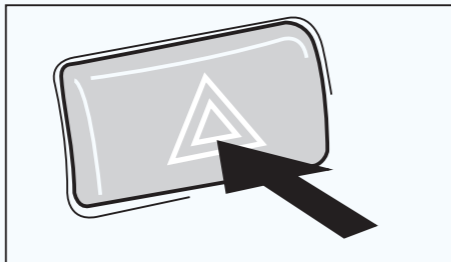
Key should be located at “ON”.

The switch handle will be returned to its original position automatically after the vehicle turns a corner. However, return it to its original position with hand after changing lane.

Emergency Light

Move the switch handle forward or backward to pressure point (Position 2) and keep this action when sending the lane change signal.

The bulb of front or rear turn signal lamp or headlight is burned if the indicator (green) of turning signal lamp on instrument cluster twinkles faster than the normal condition.



Press this switch and all turn signal lamps will twinkle if you want to turn on the emergency light. Repress it if you want to turn off the light.

The emergency light should be turned on to caution other drivers if the vehicle stops at the place where a traffic accident may occur.

Try to stop the vehicle at the safety zone far away from the main lane.

The turn signal lamp switch is out of service when the emergency light is on.

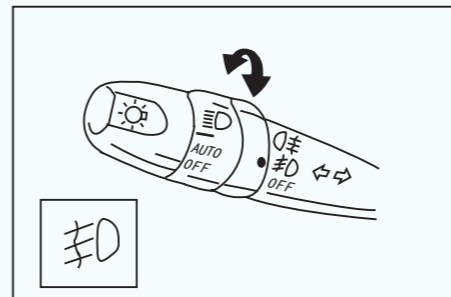
Note

To avoid the battery discharging, do not keep the lights on for a long time when the engine is not in operation.

High-mounted Brake Lamp

This lamp will light up with rear brake lamp when stepping down the brake pedal, warning other drivers that the vehicle brakes, and avoiding accident.

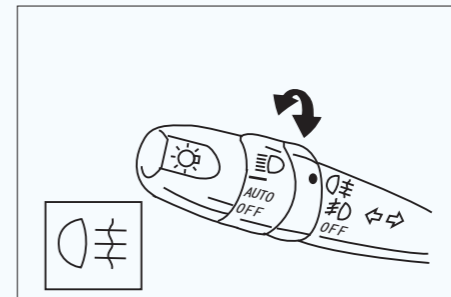
Front Fog Light



Turn the knob on the left combination switch before turning on the front fog light. The front fog light will light up when the position lamp is turned on.

Indicator of front fog light on the instrument cluster indicates the front fog light is on.

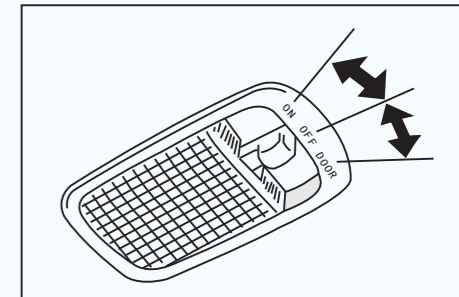
Rear Fog Light



Turn the knob on the left combination switch before turning on the rear fog light.

When rear fog light switch is opened, front and rear fog lights are turned on simultaneously.

Rear Interior Light



Slide the switch as shown in the figure when turning on the rear interior light.

The rear interior light switch has the following locations:

“ON” --- Rear interior light is on

“OFF” --- Interior light is off

“DOOR” --- Rear interior light is turned on when opening any door. It will be turned off 13s after all doors are closed.

Illumination System

When the switch is at “DOOR”, the rear interior light will be turned on if you open any door. When all the doors are closed, the light will weaken linearly after about 8s, and go out gradually in 5s.

However, the rear interior light goes out immediately under the following situations.

- All doors are closed when the ignition key is at “ON” .
- Close and lock all doors using remote controller.

Under this condition that simultaneously unlock all doors using remote controller, but all doors are still not opened, the rear interior light and ignition key indicator will be turned off after about 30s.

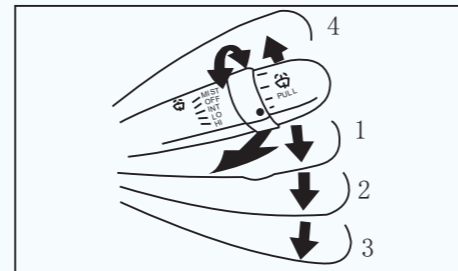
Ignition Key Indicator



To see the ignition switch easily, the ignition key indicator will be on for 30s when the left front door opens.

- The indicator keeps on for 15s after the key is taken out.
- The indicator will go out immediately after the key plugs into the ignition lock.
- The indicator will be on for about 30s when unlocking the door with remote controller, even though it is not opened.

Front Windshield Wiper and Cleaner



As shown in the figure, move the control lever to the set position needed when using the windshield wiper.

Ignition key should be located at “ON” .

Lever Position	Mark	Speed Setting
Position 1	INT	Intermittent
Position 2	LO	Low speed
Position 3	HI	High speed
Position 4	MIST	Inching

Position 4: Uplift the control lever and then release it if the windshield is wiped once.

The wiping interval of wiper can be adjusted by turning the right knob when the control lever at Position 1 (INT).

Push up the control lever when spraying cleaning solution.

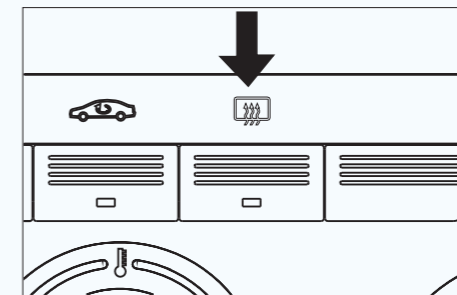
Release the control lever immediately after spraying cleaning solution. However, the wiper will still work for several times

In the chilly winter, use defroster to warm the windshield before cleaning, this can prevent the cleaning solution against freezing on the windshield. Otherwise, clear vision will be affected.

Note

Do not use the wiper when the windshield is dry. Otherwise, the shield will be scratched and the wiper will serve shorter.

Defroster Switch of Rear Windshield



Press this switch when demisting or defrosting the rear windshield.

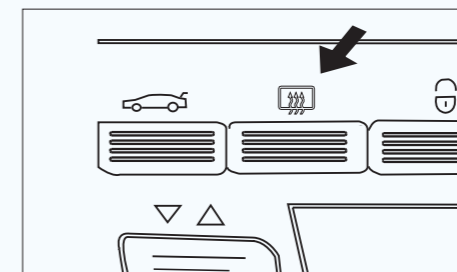
Ignition key should be located at “ON” .

Heating cord at the inner side of rear windshield will quickly make the rear windshield surface clear. The indicator will be on, indicating defroster is in operation.

Defroster will be closed when pressing the switch again.

The system will be closed automatically after the defroster works about 15min if automatic air conditioning controller is equipped.

Electrical Air Conditioning Controller



Automatic Air Conditioning Controller

Note

- Electrical air conditioning controller: Close the switch when the engine stops, avoiding the battery discharging.
- Do not scratch or damage the heating coil or connector when cleaning the inner side of the rear window.

Operation of Instrument and Controller

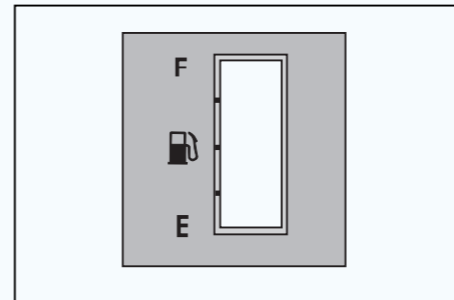
Chapter 1-5

Instrument and Maintenance Indicator

Fuel Gauge.....	64
Engine Coolant Thermometer.....	64
Tachometer.....	65
Odometer and Trip Odometer.....	65
Warning Indicator and Warning Buzzer.....	66

Fuel Gauge


(with the function of warning for fuel)



The gauge indicates the oil volume in the oil tank when the ignition switch is at "ON".

Close to fill up --- beam near "F"

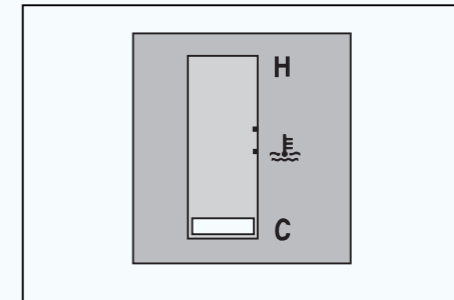
Close to use up --- beam near "E"

 Caution to fill fuel — the yellow fuel warning lamp illuminates


The cursor of fuel gauge will sway when braking, accelerating or turning a corner, which is caused by the sloshing fuel in the tank.

Engine Coolant Thermometer

(with the function of warning for water temperature)



The thermometer indicates the temperature of engine coolant when the ignition switch is at "ON".

 Warning for the coolant temperature (The lighted red light reminds user that the engine is in bad operation. You need to stop the vehicle for check.)

H—Heat (high temperature)

C—Cool (low temperature)

The cursor close to "H" indicates the temperature of engine is too high; you must stop the vehicle to make the engine cool down.

Engine may overheat under the following working conditions, for example:

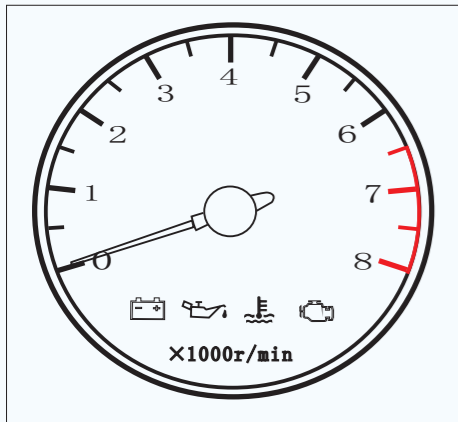
- Drive the vehicle in the long-distance slope(down-up) in a hot day.
- Speed down or stop after driving the vehicle at high speed.
- Open the air conditioning and run the engine for a long time with frequent stops.
- Idle rotation speed is too high.

It does not mean the engine goes wrong even if the cursor of engine coolant thermometer returns to "C" when the ignition switch turns to "START".

Note

- Do not take off the thermostat in the engine cooling system, otherwise, the engine will overheat. The thermostat is used to control the coolant flow and keep the temperature of engine within the permitted operating range.
- Do not drive the vehicle continuously when the engine overheats. See Chapter 4 "If Vehicle Overheats".

Tachometer



It does not mean the engine goes wrong even if the cursor of tachometer returns to its limit when the ignition switch turns to "START".

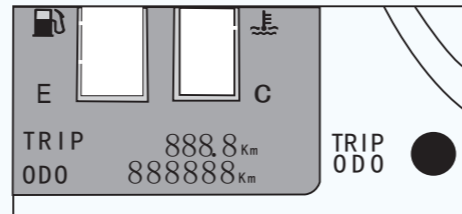
Warning

Do not let the cursor turn into the red zone, which may cause a serious damage to engine.

Tachometer shows the rotation speed of engine with 1000 times of "rpm" (round per minute). Its function is to select the right shift time to prevent the engine from lugging down and overrunning.

The engine will be abraded excessively and waste the fuel if driving the vehicle when the engine overruns.

Odometer and Trip Odometer








The display shows the following information:

1. Odometer (ODO) displays the total traveled mileage.
2. Trip odometer (TRIP) shows the various traveled mileages since it is set to zero.
3. Adjust TRIP to zero by its zero resetting button.

If you want to adjust the TRIP to zero, press the button till the instrument is set to zero after the display shows the reading of TRIP.

Warning Indicator and Warning Buzzer

If indicator illuminates or buzzer buzzes		Please do as per the sign instruction
(a)		If parking brake is not used, stop the car immediately and contact the Lifan service station.
(b)	 (indicator and buzzer)	Driver's safety belt buckles up.
(c)		Stop and check.
(d)		Stop and check.
(e)		Send the car to the Lifan service station for check and repair.
(f)		Send the car to the Lifan service station for check and repair. If the warning lamp also illuminates, stop the car immediately and contact the Lifan service station.
(g)		Close all doors.

If indicator illuminates or buzzer buzzes		Please do as per the sign instruction
(h)		Send the car to the Lifan service station immediately for check and repair.
(i)		Control backing distance.
(j)		Water temperature warning for engine coolant (stop and check).
(k)		Fuel warning (fuel filling required).
(l)		Send the car to the Lifan service station immediately for check and repair.

(a) Brake system fault warning lamp

When the ignition key is at “On” position, the parking brake is used or ABS is at fault, the lamp illuminates.

Warning

If the brake fluid level is low, it will be dangerous to drive normally and continuously.

Upon the following circumstances rise, check the car at the Lifan service station .

- When the ignition key is at “ON” position, although the parking brake is used, the lamp doesn't illuminate.

- When the ignition key is turned on and the parking brake is released, the lamp illuminates as well.

During the operation, the fact that the warning lamp illuminates for a short while doesn't mean any problem.

Warning

Upon any of the following circumstances, stop the car at a safe place immediately and contact the Lifan service station .

- During the operation of engine, although the parking brake is released, the lamp continues to illuminate. Under such circumstance, the brake probably is in malfunction, which may result in a longer braking distance. Step on the brake pedal forcibly to make an emergency brake.

- While the “ABS” warning lamp is illuminating, the warning lamp of brake system also illuminates.

Under such circumstance, when a braking is made, the ABS doesn't serve, moreover, the car is extremely unstable as well.

(b) Safety belt unfastened indicator and buzzer

The indicator will remind the driver to buckle up the safety belt.

Once the ignition key is turned to “ON” or “START” , if the driver doesn't buckle up, the indicator will illuminate. Unless the driver buckles up, the indicator will continue to illuminate.

(c) Battery charge indicator

The lamp is used to warn for the discharge state of battery.

If it illuminates in driving, it means that something goes wrong in the charge system. Turn off the electrical equipment like A/C, fan, radio, etc. immediately, and send the car to the nearest Lifan service station for check and repair.

(d) Too low oil pressure warning lamp

The lamp is used to warn for over low oil pressure.

If the lamp flickers or continues to illuminate in driving, it is necessary to stop the car at a safe place and stop the engine immediately. Contact the Lifan service station for help.

When the engine idles, the lamp may flicker now and then or it illuminates for a short while after an emergency brake. During the gradual acceleration of engine, if the lamp is out, it is normal.

The oil level should be within the top and bottom limitation of oil dip rod.

Warning
No driving when the warning lamp illuminates, even if just a short distance, or else the engine will be damaged.

(e) OBD system (On-Board Diagnostic System) fault indicator

The indicator lights up when a fault occurs in the OBD system of engine.

When it illuminates, it is necessary to contact the Lifan service station for check and repair as soon as possible.

(f) “ABS” warning lamp

When the ignition key is turned to “ON” position, the “ABS” warning lamp will illuminate for about 3s. After that, if the system goes wrong, the lamp will continue to illuminate.

When the “ABS” warning lamp illuminates (the warning lamp of brake system is out), the ABS system doesn’t work, but the brake system works normally.

When the “ABS” warning lamp illuminates (the warning lamp of brake system is out), the wheel may be blocked since the ABS system doesn’t work when an emergency brake is made or braking on slippery road.

If any of the following circumstances occurs, it means the part monitored by the warning lamp is at fault. It is necessary to send the car to the Lifan service station for check.

●When the ignition key is turned to “ON” position, the lamp is out or continues to illuminate.

●The lamp illuminates in driving. During the operation, the fact that the warning lamp illuminates for a short while doesn’t mean any problem.

Warning
While the warning lamp of brake system is illuminating and the “ABS” warning lamp illuminates as well, stop the car at a safe place immediately and contact the Lifan service station.
Under such circumstance, when a braking is made, the ABS doesn’t serve, moreover, the car is extremely unstable as well.

(g) Door ajar warning lamp

The lamp keeps illuminating, till all doors close completely.

(h) “SRS” warning lamp

When the ignition key is turned to “ON” position, the lamp will illuminate for about 5s, which indicates that the air bag and front safety belt pretensioner work normally.

The warning lamp system is used to monitor the air bag ECU, safety belt pretensioner assembly, air charging device, warning lamp, connection and power supply.

If any of the following circumstances occurs, it means the part monitored by the warning lamp is at fault or closed down. It is necessary to contact the sales service store or the special repair station of Lifan for check.

●When the ignition key is turned to “On” position, the lamp is out or continues to illuminate.

●The lamp illuminates or flickers during driving.

(i) Reverse radar indication

When the key is at “ON” position, the gear lever is at reverse (R) position, when the distance between the car tail and the barrier is less than 1.5m, the indication illuminates and sounds.

(j) Temperature warning lamp of engine coolant

This lamp is used to warn for the too high temperature of engine coolant. If the lamp flickers or keeps illuminating during driving, it is necessary to stop the car at a safe place and stop the engine immediately.

Check the quantity of engine coolant and refill; meanwhile, check the working state of electronic fan.

(k) Insufficient fuel warning

Please fill fuel as soon as possible.

(l) BCM warning lamp

When the probe of reverse radar is at fault, the lamp illuminates. A special code reader is needed for reading out trouble code for diagnosis.

(m) SVS warning

It will illuminate in case of fault occurs in engine (OBD excluded). A special code reader is needed for reading out trouble code for diagnosis.

Warning indicator for checking and maintenance

1. Pull the parking brake.
The warning lamp for parking brake system should illuminate.
2. Open any of the doors.
The door ajar warning lamp will illuminate.
3. Close doors.
The door ajar warning lamp is out.
4. Turn the ignition key to “ON” , but not start the engine.

All warning lamps except the door ajar warning lamp will illuminate. After about 3s, the “ABS” warning lamp is out. And after about 5s, the SRS warning lamp is out.

When any of the indicators for maintenance or warning buzzer doesn't work as per the procedures above, it is necessary to send the car to the Lifan service station for check.

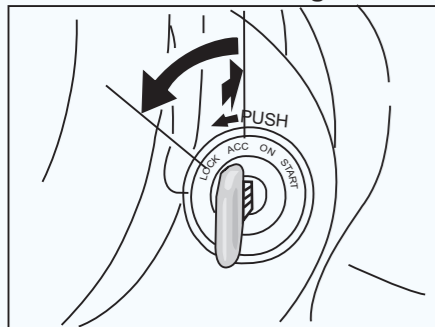
Section 1-6

Operation of Instrument and Controller

Ignition Switch, Manual Transmission and Parking Brake

Ignition Switch Equipped with Self-lock Mechanism of Steering Wheel.....	73
Manual Transmission.....	74
Parking Brake.....	75

Ignition Switch Equipped with Self-lock Mechanism of Steering Wheel



Once the ignition key is turned to “START”, the engine is ready to be started. The key returns to “On” position upon releasing automatically.

For guidance of starting, refer to Section 3.

When the ignition switch is turned to “START” position, the pointer of tachometer, fuel gauge or thermometer for engine coolant returning to zero doesn’t mean anything goes wrong with the car.

Once the ignition key is turned to “ON”, the engine is ready to start and all auxiliary equipments are powered on.

When the ignition switch is turned to “ON”, the pointer of speedometer may move, which doesn’t mean something goes wrong.

Once the ignition key is turned to “ACC”, auxiliary equipments like radio are powered on, but the engine isn’t.

If the door of driver’s side is opened when the key is at “ACC” or “LOCK”, the buzzer will remind the driver to pull the key out.

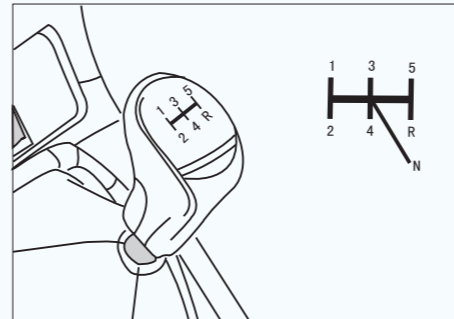
“LOCK” indicates the engine isn’t powered on and the steering wheel is locked. The key can be inserted only when it is at this position.

It is necessary to insert the key completely to turn the key from “ACC” to “LOCK”.

When the engine starts, it seems that the key is blocked at “LOCK” position. To release it, at first it is necessary to make sure that the key is inserted completely, then turn the key while joggling the steering wheel.

Note
When the engine is not running, the key is not allowed to be at “ON” position, to avoid that the battery discharges and igniter is damaged.

Manual Transmission



The gear of manual transmission is shown at the shift button head, refer to the fig. above.

During gear shift, step down the clutch pedal to full, operate the shift lever, and then release the pedal slowly.

Warning
During driving, never shift to reverse gear, to avoid damage to the gear box; before shifting to reverse gear, it is necessary to make sure the car is stopped completely.
Never put the foot on the clutch pedal for long, or else it will result in abrasion and damage to the clutch.

Note
If it is difficult to shift to gear 1, step down the clutch pedal again, then it will become easier to shift.
When shifting from gear 5 to reverse gear, first shift the control lever to neutral position, then to reverse gear.

Select Proper Gear Position

Select proper gear position according to the speed of car and the rotation speed of engine, which will save fuel, protect the engine and lengthen its service life.

It will result in engine lug down if shifting to higher gear too quickly or to lower gear too slowly, possibly bring about knock as well. Frequently operating the engine at the maximum rotation speed at all gears will result in over abrasion of engine and fuel waste.

Warning
When shifting during driving on slippery road, be careful. A sudden gear shift will result in slip or spin of the car.

Economical Running Speed

The gear indication below will help save fuel. The driver may select proper gear position according to the driving status.

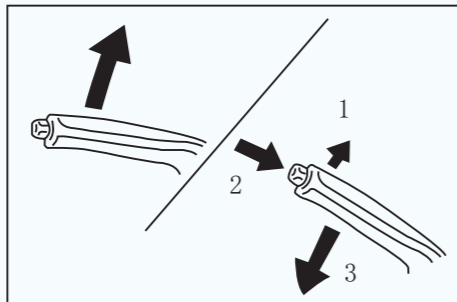
Gear Position	Speed Limit km/h
Gear 1 to 2	15
Gear 2 to 3	30
Gear 3 to 4	45
Gear 4 to 5	70

Gear 5 is overdrive gear, under which the rotation speed for engine is lower than that in gear 4. Try to drive under gear 5 as possible as you can to save fuel.

Note

Maintain the running speed within legal limit.

Parking Brake



When stop the car, pull up the parking brake, to avoid car slip.

Setting: pull the handle of parking brake. For better retentiveness, first keep stepping on the brake pedal till the parking brake is pulled up.

Release:

- (1) Pull up the handle 1 of parking brake gently,
- (2) Press down the lock release button 2,
- (3) Then release the parking brake 3.

For indicating that the parking brake is set, the warning lamp of brake system on the instrument illuminates till the parking brake is released.

Note

- Before driving, make sure that the parking brake is fully released and the warning lamp of brake system is out.
- If the parking brake is not fully released during driving, the brake will be overheated, which will result in poor braking or braking failure.

Section 1-7

Operation of Instrument and Controller

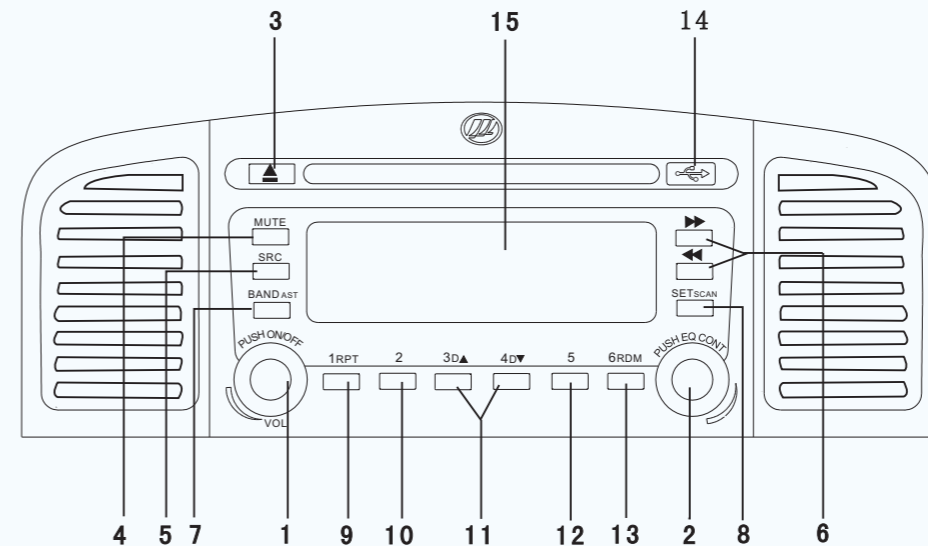
Car Audio System	
Use of Car Cd.....	77

Use of Car CD

Function and Feature

1. Play CD/MP3/WMA
2. Equipped with AM/FM radio inside
3. Anti-shock structure
4. Maximum power output 30W×4
5. Can be connected with UBS/CDC
6. Reverse gear indication

Function Description of Car CD Plate



- 1、PUSH ON/OFF & VOL left knob
- 2、PUSH EQ CONT & SEL right knob
- 3、▲ CD in and out key
- 4、MUTE switch
- 5、SRC operation mode switch key
- 6、◀/▶
- 7、BAND (AST)
- 8、SET (SCAN)
- 9、1 (RPT)
- 10、2
- 11、3 (D▲) / 4 (D▼)
- 12、5
- 13、6 (RDM)
- 14、USB interface
- 15、LCD display

Function Brief of Knob, Switch and Key on the Plate

PUSH ON/OFF & VOL left knob

Power switch of the system, press once to turn on, press again to turn off; volume control knob, turn clockwise to increase, counterclockwise to decrease.

PUSH EQ CONT & SEL right knob

Press SEL to enter the following sound setting mode in turn, turn to set the selected mode:

- EQ (BASS—TRE—Default preference, JAZZ, VOCAL, POP, CLASSIC and ROCK)
- BAL (10L, ……., L=R, ……., 10F)
- FADER (10L, ……., L=R, ……., 10F)
- LOUD (OFF, ON)

Turn the knob to select each mode under the SETUP MODE

Turn the knob to select the frequency of radio under manual search mode

Long press SEL for more than 5s, to carry out system resetting.

MUTE switch

Mute (radio mode)
Mute and pause the play (CD/USB /CDC mode)

SRC operation mode switch key

Press the key to switch among CD, USB or CDC (available only when connected to CD CHANGE) operation mode.



Short press to search from low/high frequency under radio mode; while under CD/USB/CDC mode, short press to select the previous/next item and long press to play fast reverse /forward.

BAND (AST)

Under radio mode, short press the key to switch among FM1/FM2/FM3/AM1/AM2 in turn; long press the key to search all radio stations within the band automatically. Six stations with the strongest signal will be stored in 6 preference stations in turn.

SET (SCAN)

Short press the key to enter the system setting, under which, press SEL key to enter the following setting in turn, turn the right knob to select different setting option for different setting item:

- TIME [OFF, 12H, 24H], select the time mode needed;
- RADIO [EUROPE, AMERICA, LATAM, ASIA], select the radio area;
- TUN [AUTO, MANUL], select auto/manual tune mode;
- SRCH [DX, LOC], select long/short range search mode;
- BEEP [2ND, ON, OFF], select key tone mode;
- LOG [OFF, ON], to select ON, when the ignition switch is closed, it may be used for one more hour.

Basic Operation and Function Setting

SRC operation mode switch key:
Press to switch among CD, USB or CDC operation mode.

Clock Setting:

When the clock is set under 12H or 24H, press SEL to enter time adjustment mode, flickering hour indicates to adjust the hour, turn the right knob for adjustment; press SEL again, flickering minute indicates to adjust the minute, turn the right knob for adjustment. When finishing setting, press SET to exit, and the system will display time 10s later without further operation.

Mute:

Under radio mode, press the key to turn off sound, press it again to turn on.
Under CD/USB mode, press the key for mute and pause the play, press it again to recover the sound and continue present play list.

●START XX, for setting initial reference volume.

Under radio mode, long press to select the radio station browsing; under CD/USB mode, long press to select the play list browsing.

1 (RPT)

Under radio mode, short press to listen to the radio station stored under the preference No. 1; long press to store the present radio station in preference No. 1.

Under CD/USB/CDC mode, short press to repeat the play list.

2

Under radio mode, short press to listen to the radio station stored under the preference No.2; long press to store the present radio station in preference No. 2.

3 (D▲) / 4 (D▼)

Under radio mode, short press to listen to the radio station stored under the preference No. 3/No. 4; long press to store the present radio station in preference No. 3/No. 4

Under CD/USB mode, short press to select previous/next menu.

Under CDC mode, press the key to select the previous/next CD.

5

Under radio mode, short press to listen to the radio station stored under the preference No. 5; long press to store the present radio station in preference No. 5.

6 (RDM)

Under radio mode, short press to listen to the radio station stored under the preference No. 6; long press to store the present radio station in preference No. 6.

Under CD/USB/CDC mode, short press to enter random play list.

Sound Setting:

Short press SEL to enter the following sound setting in turn. Turn the right knob to select different setting option for different setting item.

●EQ-under EQ mode, turn the right knob to select different digital sound mode: BASS-TRE/JAZZ/VOCAL/POP/CLASSIC/ROC, among which, BASS-TRE is user defined mode, under which, press SEL to enter the undertone setting. Adjustment range: 11 levels (BASS -10, ……BASS 00……BASS 10) (BASS 00 is default). Press SEL again to enter the overtone setting, the adjustment range is the same with that of undertone. For selecting the other sound mode, turn the right knob.

●Under balance setting, turn the right knob to balance the left and right horns. Adjustment range: 21 levels (BAL 1 0 L ……BAL L = R……BAL 1 0 R) (L=R is default).

●Under fader setting, turn the right knob to balance the front and back horns. Adjustment range: 21 levels (FAD 10F…… F=R……FAD 10R) (F=R is default).

●Under loudness setting, turn the right knob to open/close the amplification effect of loudness. When playing under lower sound, since human ear is insensitive to the signal with low volume and frequency, to activate the loudness may amplify the low frequency signal and promote the sound effect. When the loudness is activated, the “LOUD” icon will display on LCD.

Volume Adjustment:

Turn VOL for adjustment, within the range 0-50 (Make sure that you can listen to the traffic signals like horn and warning outside when in the car).

START XX:

Initial reference volume setting. To set it at 20, under “START XX” mode, turn “VOL” to 20, and then press “SET” to exit. If the volume is over 20 during shutdown, that for next startup is still 20; if the volume is less or equal to 20, eg. 15, then that for next startup is 15.

Radio Operation

Under CD or USB operation mode, short press BAND (AST) to enter the radio mode.

Band Selection

Under radio mode, short press BAND (AST) to switch among FM1/FM2/FM3/AM1/AM2 in turn.

Automatic Search

Long press BAND (AST), the system will search under the set band automatically, and six stations with the strongest signal will be stored in 6 preference stations in turn. The system has 5 bands totally, each of which may store 6 radio stations, enjoying storage of 30 radio stations.

Automatic Search

Short press ►►, the system is to search to the high frequency band, “SEARCH>” is displayed, when a radio station is searched, its frequency is displayed and ready for listening to; short press ◀◀, the system is to search to the low frequency band, “SEARCH<” is displayed,

when a radio station is searched, its frequency is displayed and ready for listening to. (For the operation, the search mode should be set at AUTO in the system setting (right knob)).

Manual Search

Turn the right knob clockwise or press ►► to adjust to high frequency; turn the right knob counterclockwise or press ◀◀ to adjust to low frequency. (For the operation, the search mode should be set at MANUAL in the system setting).

Radio Station Storage/Tune

Long press digit key [1-6] to store the present radio station under corresponding preference No.; short press digit key [1-6], to listen to the radio station under corresponding preference No.

Radio Station Browsing

Long press SET (SCAN), the system enters the radio station browsing mode, to search the radio station under specific band, and “SEARCH>” is displayed. When a radio station is searched, its band and frequency

will flicker on the display, and play for 5s, then continue to search another radio station, back and forth, till the user long presses the key again, the browsing stops.

CD/MP3 Play

CD player boasts outstanding mechanical and electronic shock protection, applicable to CD disk, MP3 disk and WMA disk of 12cm. Insert a CD which is in good state, and then the player will play and display “CD” automatically; if no CD disk is inserted, then it will display “NO CD”.

1. When inserting a CD disk, the label side should face upward.
2. When there is a CD disk inside, press SRC to select CD play.
3. When the CD is played, the track and play time are displayed, when MP3 is played, the track, file name and music name are displayed.
4. When the play list is finished, the player will repeat from the beginning automatically.

CD Disk Exit

Press ▲ to get the CD disk out and it will return to the radio or USB mode before CD playing automatically. If the CD is not taken out after 10s, then the disk will go inside automatically, however, the player will not play automatically, SRC is to be pressed for switching over.

CD Disk Maintenance

- Don't leave any finger print on the disk
- After the CD exits, put it into CD case, to avoid damage and dust taint.
- Prevent from heat or insolation
- When handing the disk, take by its central and outer part

USB Play

When the USB equipment is connected, the system switches to the USB play mode automatically, "USB" is displayed; if the USB equipment is not connected, "NO USB" is displayed. If there is USB equipment connected, press SRC to select USB play. When the USB file list is finished, the player will repeat from the beginning automatically.

Common Fault and Troubleshooting

Fault	Cause	Troubleshooting
Host machine is in malfunction, no display	Wrong wiring	Correct the wiring
	Fuse blown	Replace a fuse of the same specification
Host machine is in operation, but the sound is low or there is no sound at all.	The volume is turned down too much	Turn up the volume
Poor radio reception	Antenna is not connected properly	Check the antenna, and connect it well
No sound for left and right tracks	Balance of one side is closed	Adjust the balance/fader mode well accordingly
	Wrong cable connection	Correct the connection

Resetting Operation

When such faults as crash, open failure, shutdown or enter failure and disk out occur in using, long press SEL for more than 5s to make system enter resetting operation.

Fault	Cause	Troubleshooting
The needed radio station can't be searched	Weak station signal	Switch to manual search
Play failure	Tainted disk	Clean the disk
	The disk inserted is not among the kinds available for play	Check the disk kind
No sound	Wrong connection	Check the connection
The disk is in the drive, but there is no sound	The disk is inserted with the wrong side upward	Insert the disk with the label side upward
	Tainted or scratched disk	Clean the disk
Sound jump, poor tonal quality	Tainted or scratched disk	Clean the disk
The disk can't be taken out	Defected disk or failed machine	Press ▲ (exit). If it still can not work normally, please contact the Lifan service station for repair.

Note

- Never take apart or refit the stereo by yourself.
- Please adjust the sound volume to the degree that may not disturb your hearing the traffic signals (siren, alarm whistle etc.).

Reverse gear indication

When CD player is on, pull the gear lever to reverse (R), the CD player enters pause /muse automatically, meanwhile, the "TEL CALL" is displayed, indicating the driver that the car is under reverse.

Operation of Instrument and Controller

Section 1-8

A/C System

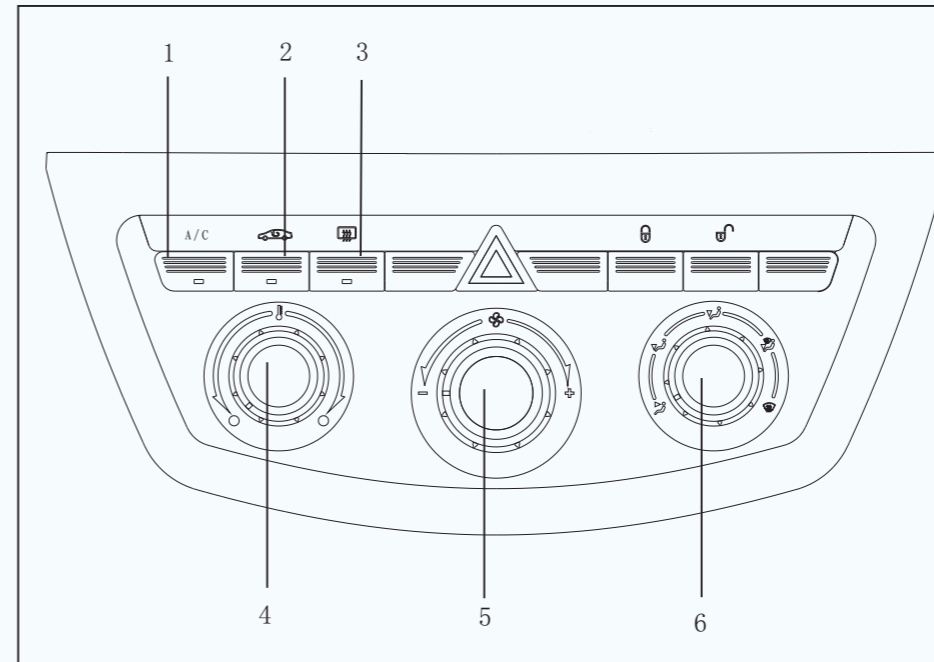
Manual A/C System

Control Plate	86
Air Vent Mode Setting	88
Operating Essentials	88

Automatic A/C System

Control Plate	90
Air Vent Mode Setting	93
Operating Essentials	93
Side Vent	95
Check and Replace the Air Filter	95

Electrical A/C System Control Plate



1. "A/C" Switch
2. Selector Button for Inner and Outer Circle Mode
3. Defroster Switch of Rear Windshield
4. Cold/Warm Air Switch Knob
5. Air Volume Adjustment Knob
6. Selector Knob for Blow Mode

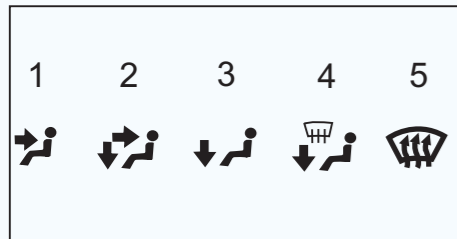
Air Volume Adjustment Knob

Turn the knob to adjust the air vent volume: clockwise for increase, counterclockwise for decrease.

Cold/Warm Air Switch Knob

Turn the knob to adjust the temperature: clockwise for increase, counterclockwise for decrease.

Selector Knob for Blow Mode



Turn the knob to select blow direction

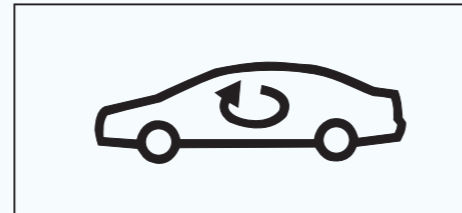
- 1. Up Ventilation:** the air flow blows to the face of passengers through the central vent at dashboard and the side vent.
- 2. Up and Down Ventilation:** the air flow blows to both the face and feet of passengers through the central vent at dashboard, side vent and down vent.
- 3. Down Ventilation:** the air flow blows to the feet of passengers through down vent.
- 4. Defrost, Demist and Down Ventilation:** the air flow blows to the feet of passengers and the windshield through the down vent and defrost vent.

Apply when the selector button for inner and outer circle mode is at outer circle position.

- 5. Defrost and Demist:** the air flow blows to the windshield through the defrost vent.

Apply when the selector button for inner and outer circle mode is at outer circle position.

Selector Button for Inner and Outer Circle Mode



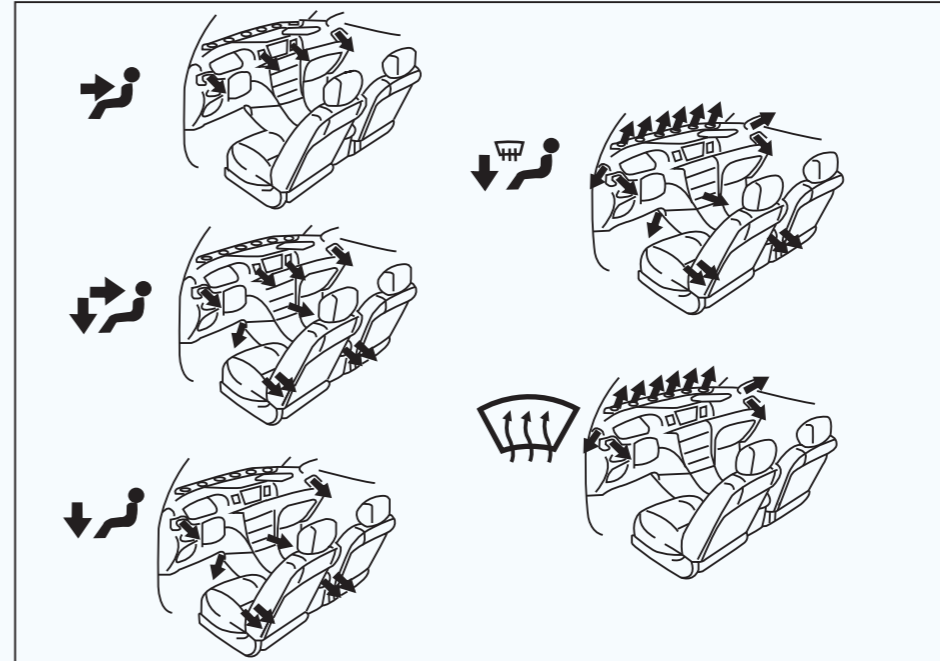
Press keys to select air source

Press the button to recycle the air in the car. Press it again to take in the air outside of the car.

“A/C” Switch

To start the A/C system, turn on the air volume adjustment knob, then press the “A/C” switch, indicator illuminating. To shut down the A/C system, press the “A/C” switch again and reset the air volume adjustment knob to “0”.

Air Vent Mode Setting



Operating Essentials

- To quickly cool down the car which has parked under hot sunshine, drive it for several minutes with window open.
- In wet weather, don't let cold air blow to the windshield, since the temperature difference inside and outside of it will help mist growing.
- The lower part of front seats should be kept as open space to ensure full air circulation in the car.
- Make sure that the inlet grille in front of the windshield is not blocked by things like leaves or snow.
- In cold weather, it is necessary to set a high rotation speed of blower for one minute to clean the snow or moisture in the air inlet passage, thus to reduce the mist growing on windows.
- Close all windows when driving the car on the road with much dust. If after doing this, the dust still goes into the car, it is recommended to temporarily set the selector button for inner and outer circle mode at inner circle and set the rotation speed selector of blower at any position except “0”.

Heating

For an optimal effect, set the controller at:

Air volume adjustment—any position expect “0”
 Temperature—toward warm zone (red zone)
 Inlet—outer circle (air outside)
 Air flow—down vent
 A/C—shut down

●For a quick temperature increase, turn on the inner circle for several minutes. To avoid mist growing on windows, after the temperature rises to certain degree, turn on the outer circle.

●Press “A/C” switch for dehumidification and temperature increase.

●During defrost or demist of windshield, select defrost, demist and down vent for temperature increase in the car.

A/C

For an optimal effect, set the controller at:

Air volume adjustment—any position expect “0”
 Temperature—toward cold zone (blue zone)
 Inlet—outer circle (air outside)
 Air flow—central and side vents
 A/C—start up

●For a quick temperature decrease, turn the selector button for inner and outer circle mode at inner circle for several minutes.

Vent

For an optimal effect, set the controller at:

Air volume adjustment—any position expect “0”
 Temperature—toward cold zone (blue zone)
 Inlet—outer circle (air outside)
 Air flow—central and side vents
 A/C—shut down

Demist

Inside of windshield

For an optimal effect, set the controller at:

Air volume adjustment—any position expect “0”
 Temperature—toward warm zone (red zone) for temperature increase
 toward cold zone (blue zone) for temperature decrease
 Inlet—outer circle (air outside)
 Air flow—defrost, demist
 A/C—start up

●In wet weather, don't let cold air blow to the windshield, since the temperature difference inside and outside of it will help mist growing.

Defrost

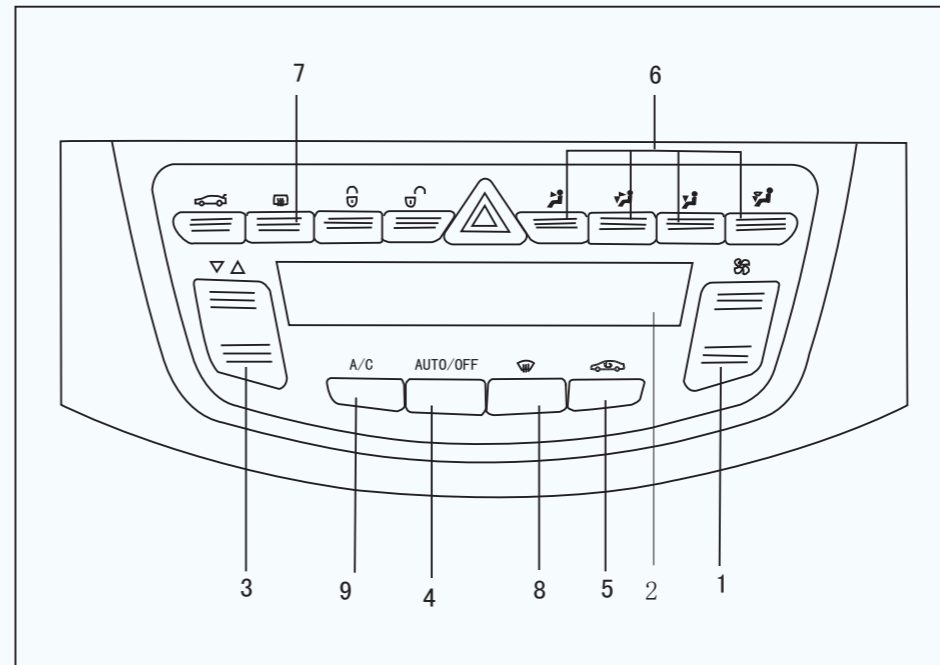
Outside of windshield

For an optimal effect, set the controller at:

Blower rotation speed—any position expect “0”
 Temperature—toward warm zone (red zone)
 Inlet—outer circle (air outside)
 Air flow—defrost, demist
 A/C—shut down

●To raise the temperature in the car when the windshield defrosting, defrost, demist and down vent are to be selected.

Automatic A/C System—Control Plate



1. A/C Air Volume Adjustment Button
2. A/C State Display
3. A/C Temperature Adjustment Button
4. Selector Button for Automatic Mode
5. Selector Button for Inner and Outer Circle Mode
6. Selector Button for Blow Mode
7. Rear Defroster Switch
8. Front Defroster Switch
9. "A/C" Switch

Selector Button for Automatic Mode

Press the button: the indicator illuminates, indicating that the automatic operation is selected and the A/C is under automatic state.

Under automatic operation, the A/C equipment will select the most appropriate fan rotation speed and air flow according to temperature.

If you want to select by yourself, choose manual control.

To shut down automatic operation, press “OFF” button. Speed adjustment button of blower or selector button for inner and outer circle mode.

A/C Air Volume Adjustment Button

Press “^” (increase) or “v” (decrease) button to adjust the rotation speed of blower.

Under automatic operation, unless other rotation speed is required, or else the rotation speed of blower doesn't need adjusting.

A/C Temperature Adjustment Button

For temperature increase, press “^” button, for temperature decrease, press “v” button.

When it is turned to the coldest, “MAX.COLD” is displayed, when it is turned to the hottest, “MAX.HOT” is displayed.

“AUTO/OFF” Button

Press the button to turn on/off automatic A/C system.



As per Air Vent

1. Up Ventilation: the air flow is mainly from the central vent at dashboard and the side vent.

2. Up and Down Ventilation: the air flow is mainly from the central vent at dashboard, the side and down vents.

3. Down Ventilation: the air flow is mainly from the down vent.

4. Defrost, Demist and Down Ventilation: the air flow is mainly from the down vent and the vent of windshield. Apply when the selector button for inner and outer circle mode is at outer circle position.

5. Defrost, Demist: the air flow is mainly from the vent of windshield. Apply when the selector button for inner and outer circle mode is at outer circle position.

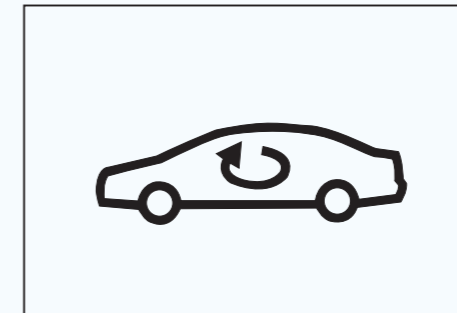
Front Defroster Switch

Press the switch, the indicator illuminates, the air flow is mainly from the vent of windshield. Press it again, the indicator is out, the previous air flow setting is recovered.

Press the front defroster switch. When some mist is formed, the A/C will turn on automatically, the “A/C” indicator illuminates, and cold wind is blown, clearing the windshield immediately. When some frost is formed, the A/C will start heating automatically, and warm wind is blown for defrosting, clearing the windshield immediately.

For setting the selector button for blow mode, refer to the “setting of selector button for blow mode” in the following text.

Selector Button for Inner and Outer Circle Mode



Press the button to select air source.

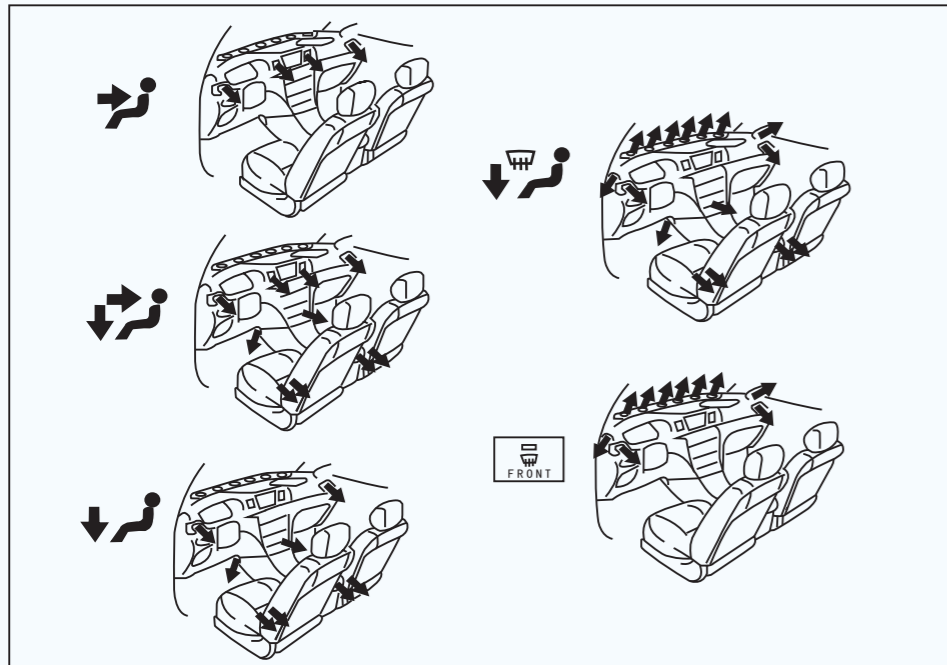
Press the button to recycle the air in the car. Press it again to take in the air outside of the car.

“A/C” Switch

To start up the A/C system, press the “A/C” switch, which illuminates. To shut down the A/C system, press the switch again.

Note: when the blower is not turned on and no air is blown, the A/C system can't start up by pressing the “A/C” switch.

Air Vent Mode Setting



Operating Essentials

- To quickly cool down the car which has parked under hot sunshine, drive it for several minutes with window open.
- Make sure that the inlet grille in front of the windshield is not blocked by things like leaves or snow.
- In wet weather, don't let cold air blow to the windshield, since the temperature difference inside and outside of it will help mist growing.
- The lower part of front seats should be kept as open space to ensure full air circulation in the car.
- In cold weather, it is necessary to set a high rotation speed of blower for one minute to clean the snow or moisture in the air inlet passage, thus to reduce the mist growing on windows.
- When driving your car after other cars on the dirty road, or under windy or dusty condition, it is recommended to temporarily set the selector button for inner and outer circle mode at inner circle and set the rotation speed selector of blower at any position.

Heating

For an optimal effect, set the controller at:

As for automatic operation

Press the button for automatic mode.
 Temperature—set at the temperature needed
 Inlet—outer circle (air outside)
 A/C—shut down

As for manual operation

Fan rotation speed—set at the rotation speed needed
 Temperature—toward high temperature
 Inlet—outer circle (air outside)
 Air flow—down vent
 A/C—shut down

- For a quick temperature increase, turn on the inner circle for several minutes. To avoid mist growing on windows, after the temperature rises to certain degree, turn on the outer circle.

- During defrost or demist of windshield, select defrost, demist and down vent for temperature increase in the car.

A/C

For an optimal effect, set the controller at:

As for automatic operation

Press the button for automatic mode.
 Temperature—set at the temperature needed
 Inlet—outer circle (air outside)

As for manual operation

Fan rotation speed—set at the rotation speed needed
 Temperature—toward low temperature
 Inlet—outer circle (air outside)
 Air flow—central and side vents
 A/C—start up

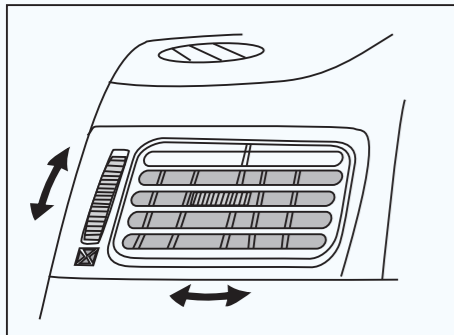
- For a quick temperature decrease, turn the selector button for inner and outer circle mode at inner circle for several minutes.

Ventilation

For an optimal effect, set the controller at:

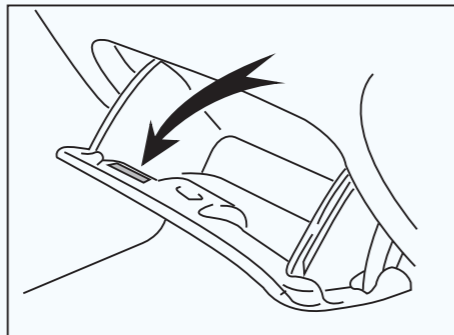
Fan rotation speed—set at the rotation speed needed
 Temperature—toward low temperature
 Inlet—outer circle (air outside)
 Air flow—central and side vents
 A/C—shut down

Side Vent



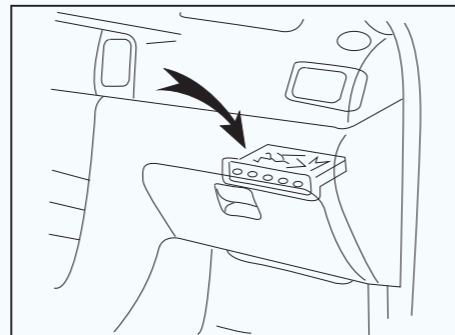
If the control effect of air flow is not satisfactory, check the side vent, which is possibly opened or closed as the fig. shown.

Check and Replace the Air Filter



The description tag of air filter is at the inside of the right sundries box as shown in the picture.

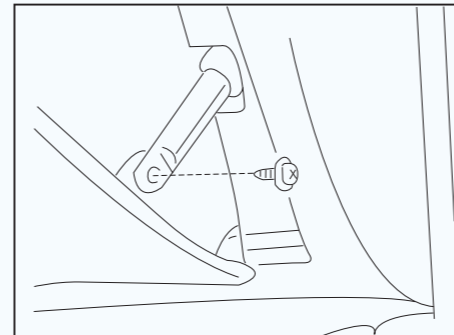
The air filter can prevent the dust from entering the vehicle through the A/C vent.



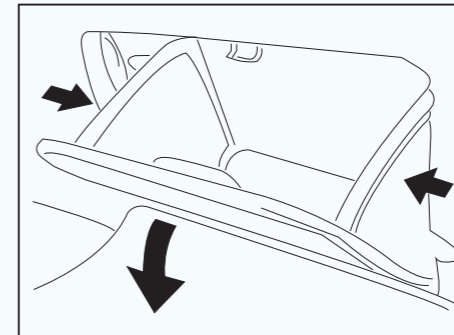
The air filter is behind the right sundries box.

It may be obstructed due to long-time use. Please replace it in case of a reduced efficiency of A/C air flow or easily mist growing on the windows.

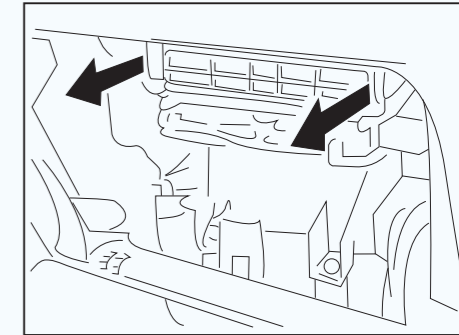
Please check and replace the air filter according to the maintenance scheme so as to ensure the effects of A/C.



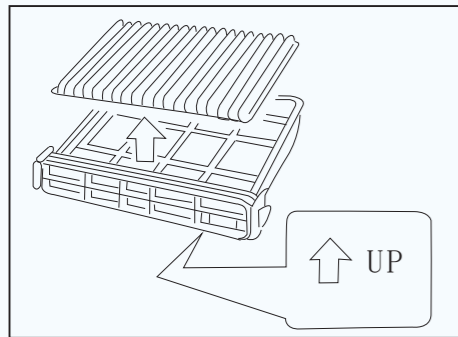
1. Open the right sundries box and take off the screw on the limiting pneumatic tension spring by a cruciform screwdriver.



2. Press the two sides of the right sundries box away from the pothooks and remove the right sundries box.



3. Take out the filter cartridge from the vent of air filter as shown in the picture.



Tips

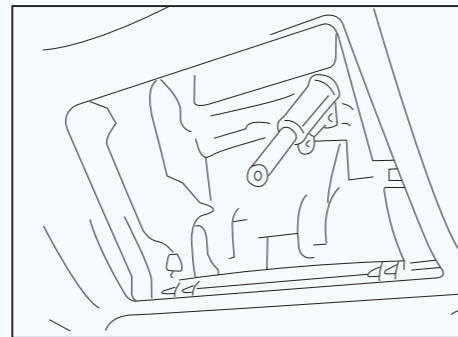
The air filter should be installed correctly. Using A/C while the air filter is removed will decrease the dust prevention effect and impact the A/C performance.

4. Take out the filter from the filter cartridge.

5. Check the filter surface.

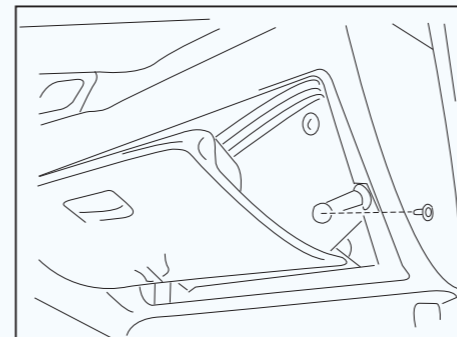
Please replace it immediately in case of a dirty or obstructed filter.

Keep the arrowhead up when installing the filter and the filter cartridge.

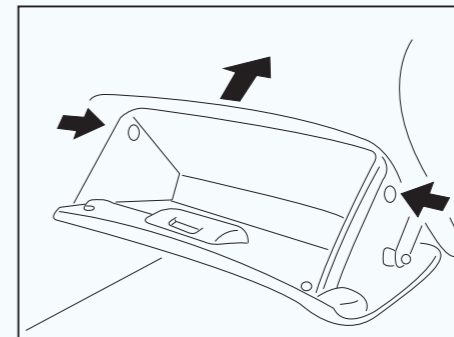


Reinstalling the right sundries box

1. Insert the latch pin into the hole of the limiting pneumatic tension spring as shown in the picture.



2. Hook the right sundries box, elongate the limiting pneumatic tension spring, and then insert the screw into the limiting pneumatic tension spring and screw it off by a cruciform screwdriver.



3. Press the two sides of the right sundries box and close it.

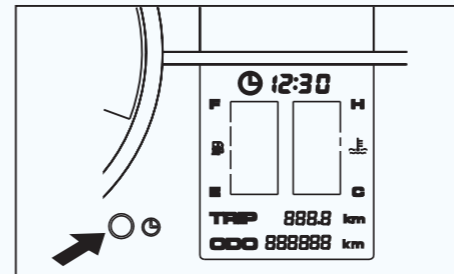
Operation of Instrument and Controller

Section 1-9

Other Equipments

Electronic Clock	100
Cigarette Lighter and Ashtray.....	100
Right Sundries Box.....	101
Small Sundries Box.....	101
Center Sundries Box	102
Cup Stand.....	102
Reverse Radar System	103

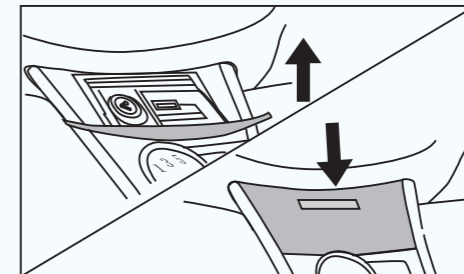
Electronic Clock



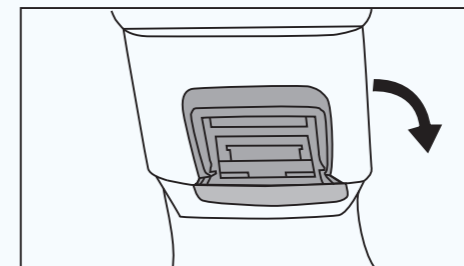
The key should be at “ACC” or “On” position.

Push the clock lever for more than 1s, the hour place will twinkle every 0.5s, which means hour place is ready for adjusting; after finishing the adjustment, the hour place will twinkle for another 2s then switch to the minute place for minute adjustment.

Cigarette Lighter and Ashtray



Cigarette Lighter and Front Ashtray



Back Ashtray

Cigarette Lighter

Press lightly to use the cigarette lighter, which will then spring out automatically to be at service.

If the engine is not running, the key should be at “ACC” position.

It is strictly prohibited to press the cigarette lighter for long.

When changing for another lighter, use the kind designated by Lifan.

Ashtray

To use the ashtray, pull it out.

After enjoying a cigarette, it is necessary to crush out the stub in the ashtray completely, for avoiding a fire. Make sure that the stub is crushed out before push the tray back.

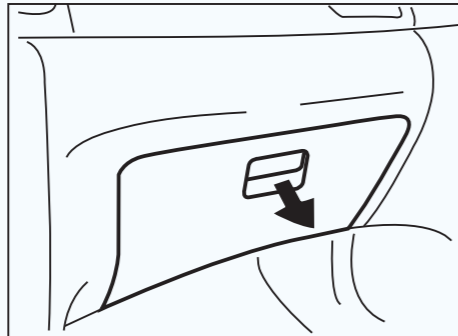
Front: to take the ashtray off, press down the locking spring piece to pull it out.

Back: to take the ashtray off, nip both sides of the ashtray to pull it out.

Warning

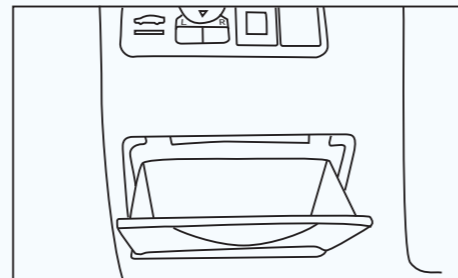
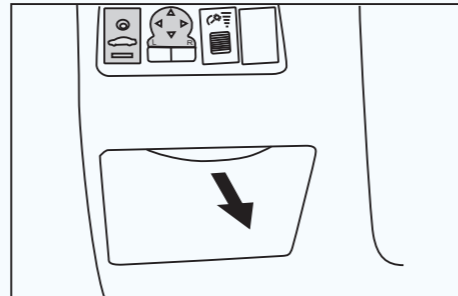
Completely close the ashtray after use, to reduce the possibility of personal injury due to accidents or emergency brake during driving.

Right sundries box



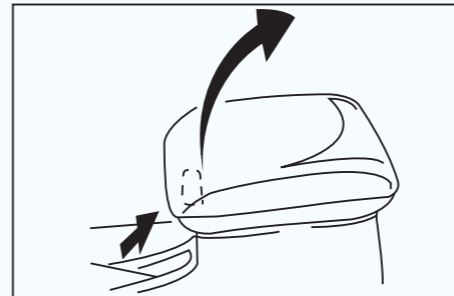
Pull the handle to open the right sundries box.

Small sundries box



Press down the buckle to open the small sundries box.

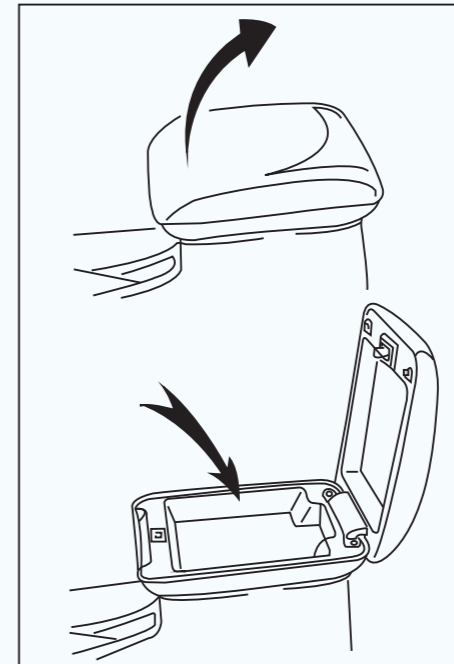
Center sundries box



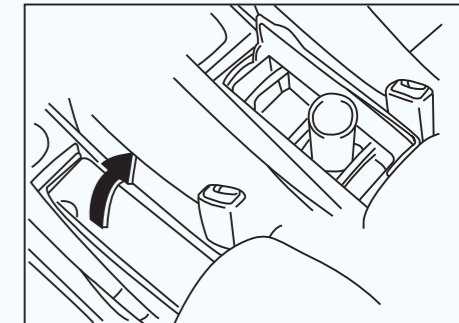
Raise the center sundries box cover, and meanwhile pull up the locking buckle to open the center sundries box.

Warning

Keep the control box closed during driving, to reduce the possibility of personal injury due to the accidents or emergency brake.

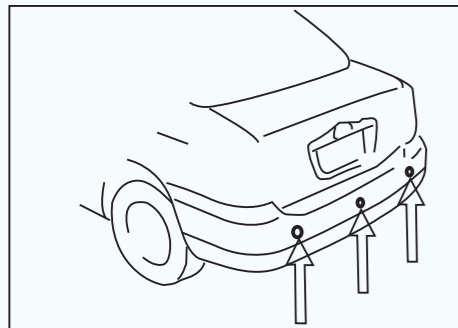


Cup stand



It is used to firmly hold a cup or a beverage can.

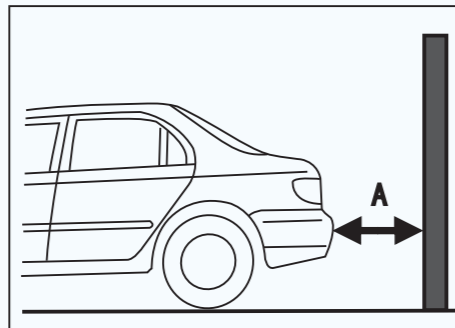
Reverse radar system



In case of a reverse, the reverse radar system will inform the driver of the distance between the vehicle and the barrier by the indicator and buzzer.

This system is working when the ignition key is at position “On” and the shift lever at reverse gear.

Induction scope

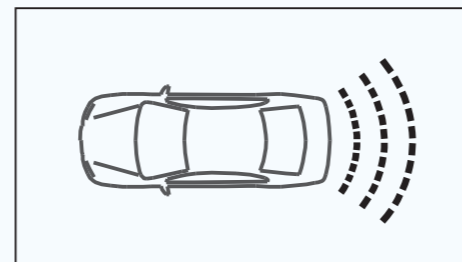


This system informs the driver of the distance between the vehicle and the barrier by the indicator and buzzer.

During a reverse, the three ultrasonic probes (active probe) detect the distance between the vehicle tail and the barrier, then BCM processes the data and transmits it to the instrument module which then drives a step-by-step alarm indicating sound and approaches light display.

The maximum induction scope for the sensor is 1,500mm.

A--Distance (mm)	Indicator	Alarm
1,500—900	The 3 rd line illuminates	Interrupted buzz
900—600	The 2 nd and 3 rd lines illuminate	Fast interrupted buzz
600 or less than 250	All lines glitter	Continuous buzz



Warning

No attaching accessories or other objects to the sensor components; otherwise, it will disturb the correct operation of the system or even cause an accident.

The system will not work normally under the following circumstances.

- Ice, snow and slurry stick to the sensor.
- A long-time parking under a high-temperature or low-temperature condition.
- Driving on a bumpy road, muddy road or a road with high grass.
- Close to the horn of other vehicles and the engine of motorcycles or any other object that can produce ultrasonic.
- Equipped with twin-channel wireless antenna or fender pile.
- A sloping center of gravity.
- Covering the sensor by hands.
- Too close to an object.
- Heavily knocking the sensor.

The system may not work in case the sensor contacts the following objects.

- Metal lead, cord or other thin objects
- Cotton, snow or absorptive objects
- Small objects
- Objects with sharp edges
- High and bulgy objects

Please contact the Lifan service station to check the system in case of the following situations.

- Sunken bumper
- Indicator illuminates continuously but the buzzer does not sound

Note

The reverse radar system is only used to assist the reverse. Do not rely on this system too much. Observe the surrounding situation when reversing the vehicle.

Chapter 2

LF620 Driving Guide

Run-in Time... 106
 Fuel... 107
 Three-way Catalytic Converter...107
 Engine Exhaust Warning... 106
 Oil Consumption... 108
 Brake System... 109
 Brake Pads Over-wear Alarm... 110
 Notes for Luggage Loading... 113
 Suspension and Chassis ...114

Run-in Time

LF620 enjoys an excellent performance. However, this performance will reach the best state only after a proper run-in time and the first maintenance. The effect for this run-in time mainly relies on the driving way within the first 3000km.

No high-speed driving:

No driving at full speed within the initial mileage of 1000km.

Maximum driving speed for all gears during run-in time:

Gear	Speed
Gear 1	30
Gear 2	55
Gear 3	80
Gear 4	105
Gear 5	120

The maximum rotation speed allowed for the engine within the initial mileage of 1000km is 4200r/min.

No overloading:

Make sure that the loading weight during the run-in time will not reach the 80% of the maximum load; otherwise, damage will be caused to those components which have not been run in well.

No driving for a long distance:

No driving for a long distance during run-in time; otherwise, it will extend the continuous working hour of the engine and cause damage to the engine parts.

Avoid emergency brake:

Reduce the emergency brake times as possible as you can; otherwise the brake system will be impacted, and the engine will suffer from a bigger impact load from the chassis. Do not carry out emergency brake within the initial mileage of 300km except for necessary situations.

No trailer the vehicle within the first 2000km:

An incorrect trailering may cause damage to the vehicle.

The first maintenance:

The first maintenance during run-in time should be implemented when the first mileage of 2500~3000km has been covered by your vehicle for keeping your car in a good using state. This maintenance is available at the Lifan service station.

Note

The first maintenance should be carried out at the Lifan service station to ensure a good maintenance quality and the best performance of your vehicle.

Fuel

The correct selection of fuel is the base for the full performance of the engine.

The damage to the engine due to the improper fuel will not be included in the guarantee scope of LF620.

Fuel type

Unleaded gasoline 93# (RON) in conformity.

Warning

No using leaded gasoline. Because it will cause the waste gas cleaning plant to be ineffective, cause the emission control device to be abnormal and meanwhile increase the maintenance expense.

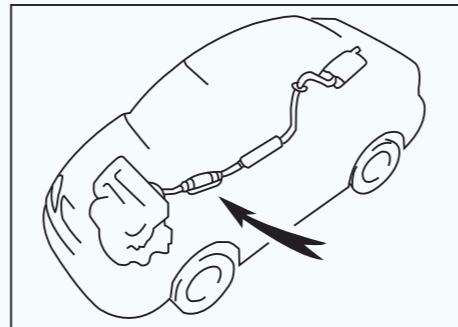
In case of engine knock

Please contact the Lifan service station for check, in case of a knock or regular knocking in a good road condition at a stable speed under the condition of using the recommended fuel.

Fuel tank capacity

58L

Three-way Catalytic Converter



The three-way catalytic converter is an emission control device installed in the emission system with an aim to reduce the pollutants in the exhaust.

Warning

When the engine runs, the high-temperature gas will be exhausted. Therefore, any person and flammable materials should be kept away from the exhaust pipe.

Engine Exhaust Warning

Warning

- Avoid inhaling the exhaust gas from the engine.
- Always check the exhaust system and make sure there is no leakage or looseness in the exhaust system. Immediately check the vehicle in case of a collision during driving or any abnormal exhaust sound.
- Do not operate the engine in a garage or a close place to avoid the danger due to an unsmooth exhaust of the engine.
- Do not park the vehicle for a long time in case of a running engine. If necessary, please park it at an open place to let the fresh air flow into the vehicle.
- The luggage boot cover should be closed during driving. An open or unclosed luggage boot will cause a flow of exhaust gas into the vehicle.

Warning

Lots of incompletely burnt gas entering the three-way catalytic converter will cause the converter to be over-heated and even a fire. Please abide by the following precaution measures to prevent any danger:

- Only unleaded gasoline with number above the specified one can be used.
- Do not drive the vehicle with an extremely low oil level; the operation without sufficient oil will lead to a misfire of the engine and increase the over-load of the three-way catalytic converter.
- Do not run the engine at a high or low idle speed for a long time.
- Avoid running the engine at over-speed.
- No starting the vehicle by trailering or pushing.
- Do not close the ignition switch during driving.

- Maintain a good operation state of the engine. The abnormal function in the electrical system, ignition system or fuel system of the engine will cause an abnormally high temperature in the three-way catalytic converter.
- Immediately check the vehicle, in case of a hard start or frequent running stop of the engine.
- Please carry out a regular check and maintenance for the vehicle according to the maintenance scheme of Lifan so as to guarantee the normal operation of the three-way catalytic converter and the entire emission control device (refer to Chapter 6).

- Please make sure that there is no snow, leaves or other barriers in the inlet grille, to guarantee a normal ventilation system of the vehicle.
- In case of an exhaust gas smell in the vehicle, please immediately check the cause and correct it.

Oil Consumption

Oil function

The oil mainly works for lubricating and cooling the inside of the engine to keep a normal working state.

Oil consumption

The engine will consume some oil during a normal operation. In a normal case, the engine consumes oil due to the following causes:

●**Lubricating the piston, piston ring and cylinder:** When the piston moves down in the cylinder, it will leave a layer of oil film. When the vehicle decelerates, the high negative pressure will absorb such oil into the combustion chamber. Like part of oil film left on the cylinder wall, this oil will be combusted by the high-temperature combustion gas.

●Lubricating the intake valve stem:

The oil and the inlet air will be together absorbed into the combustion chamber and combust with the fuel. The high-temperature waste gas will also combust the oil used for lubricating the exhaust valve stem.

The consumption of oil is related with its viscosity, quality and the vehicle use state.

The oil consumption will increase with a high-speed driving, frequent acceleration or deceleration.

More oil will be consumed due to the piston, piston ring and cylinder wall of a new engine, all of which have not been run in.

Brake System

It is a two-circuit brake system. In case that one brake system loses effect, the other one will still work. Meanwhile, it is harder than usual to step down the brake pedal and the brake distance will also increase.

Note

Do not drive the vehicle for a long distance in case of only a brake circuit working. Please immediately repair the ineffective brake system.

Vacuum booster

It is used to assist the braking by the inlet negative pressure of engine. In case the engine stops during driving, a pedal force bigger than usual is required to stop the vehicle.

Importance for checking the oil level

Keeping the oil level at the best level is one of the key points for the normal maintenance for a vehicle, which will not weaken the function of the oil. Therefore, it is very important to check the oil level regularly. You are recommended to check the oil level every time you fill oil.

Warning

If a regular check at the oil level can not be achieved, a severe trouble will be caused to the engine due to a relatively low oil level.

Please refer to “Check the Oil Level” in Section 7-2 for detail.

Note

- In case of a misfire of the engine, do not step on the brake pedal repeatedly, because every stepping will consume parts of vacuum pressure.
- The brake will still be effective even if the vacuum power is entirely lost. However, the force to step on the brake pedal will be much bigger than usual and the brake distance will also increase.

If the braking device is immersed in water

Seeper, heavy rain or cleaning, water film will be formed on the brake drum or brake disc which will affect the braking effect. Therefore, if the braking device is immersed in water, please take extra attention to vehicles ahead or at the back, and drive it at low speed and meanwhile lightly step down the brake for times to dry the brake pads until the brake effect resumes to a normal state.

Anti-lock brake system (with ABS warning lamp)

This system is used to prevent the wheel from being locked and pulling to one side during braking on a wet and slippery road. It is helpful for ensuring the stability and steering function of the vehicle under the above-stated situation.

Effective ways for stepping on ABS brake pedal: When the anti-lock system operates, you can feel the impulsive motion of the brake pedal and also hear a noise. Under this situation, you can step down the brake pedal with bigger force than usual, and then the anti-lock brake system will work. In case of an emergency brake, do not step on the brake repeatedly, because that will increase the brake distance.

When the vehicle accelerates to above 5km/h, the anti-lock brake system will work; when the vehicle decelerates to below 5km/h, it will stop working.

When the engine starts or after the vehicle starts, you may hear a click sound or motor noise from the engine compartment for several seconds continuously. That means the anti-lock brake system is under self-checking.

When the anti-lock brake system works, the following situation may occur. They do not represent faults in the system:

- Hearing the operation sound of the anti-lock brake system and feeling the impulsive motion of the brake pedal together with the vibration of the vehicle body and steering wheel. The motor noise from the engine compartment will be heard even if the vehicle has been parked.
- The brake pedal may move forward a little at the end of the operation of the anti-lock brake system.

Note

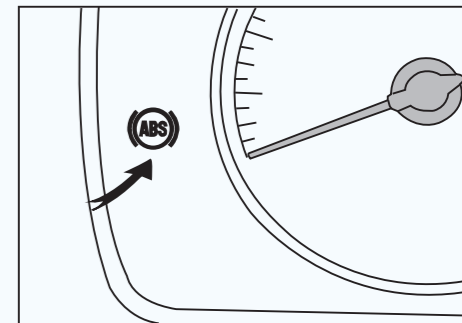
Do not overrate the anti-lock brake system: It is significant to abide by all notes and keep proper vehicle speed and vehicle spacing, although this system is helpful for controlling the vehicle; because, even if it performs, the effect for the stability of vehicle and the operation of steering wheel is limited.

When driving in rainy days, the anti-lock brake system will be unable to maintain a control to the vehicle if the non-skid performance of the tire exceeds the admissible ability or in case of a wheel spin.

The anti-lock brake system is not used to shorten the brake distance. Compared with vehicles without anti-lock brake system, a longer brake distance may be needed under the following situations:

- Driving on a bumpy road and road covered with small stones or snow.
- Vehicles with tire chains.
- Driving on the steps at the junction of roads.

Install tires with specified specifications on all wheels: The anti-lock brake system uses the speed sensor to measure the vehicle speed to get the rotation speed of each wheel. Other undesignated tires can not measure the correct rotation speed and will extend the brake distance.

**“ABS” warning lamp**

If the ignition key is turned to the position “ON”, the light will illuminate. If the anti-lock brake system works normally, it will go out after several seconds. Then, it will illuminate again in case of any trouble.

When “ABS” warning lamp illuminates (warning lamp of brake system goes out), the anti-lock brake system will not work, but the brake system will still work normally.

When “ABS” warning lamp illuminates (warning lamp of brake system goes out), the anti-lock brake system will not work. Therefore, the wheels may be locked in case of an emergency brake or braking on slippery roads.

Any of the following cases indicates a faulty component monitored by the warning lamp system. You must immediately contact the Lifan service station for check.

- In case that the ignition key is turned to the position “ON”, the light will not illuminate or illuminate continuously.

- It will illuminate during driving.

A short illumination of the warning lamp indicates no trouble.

Warning

In case of an illuminating warning lamp of brake system together with illuminating “ABS” warning lamp, please park the vehicle at a safe place and contact the Lifan service station .

In this case, the anti-lock brake system will not be effective and the vehicle will also become extremely unstable during braking.

Drum parking brake

The vehicle is equipped with a drum parking brake. This brake system should be checked and adjusted regularly.

In case of scream or friction noise during driving, please immediately drive to the closest Lifan service station for check or replacing the brake pads.

Notes for Luggage Loading

When loading luggage or goods, please abide by the following instructions:

- Put the luggage or goods into the luggage boot as possible as you can and make sure that all objects have been fixed tightly.
- Keep the balance of the vehicle and put the weight forward as possible as you can to achieve balance.
- Do not load unnecessary heavy objects to save fuel.

Suspension and Chassis

Warning

Do not refit the suspension or chassis randomly, because that will change the operation performance and then cause the vehicle to lose control.



Starting and Driving

Chapter 3

Before Starting the Engine	116
Engine Starting Ways	116
Safety-check before Driving	117
Driving Guidance under Different Situations	118
Driving Tips in Winter	119
How to Save Fuel and Extend the Service Life of the Vehicle	120

Before Starting the Engine

1. Check the situation around the vehicle before entering the vehicle.
2. Adjust the position and height of the seat, the angle of seat backrest, the height of headrest and the angle of the steering wheel.
3. Adjust the rearview mirrors inside and outside the vehicle.
4. Tighten the safety belt.

If you have pressed “” on the remote control to set the vehicle anti-theft system, you must press “” to cancel this system before starting the engine; otherwise the engine can not be started.

Engine Starting Ways

(a) Before starting

1. Check the parking brake.
2. Turn off all lights and accessory electrical equipments.
3. Set the shift lever at neutral position.
4. Release the anti-theft system.

(b) Starting the engine

Please make sure that all steps in “(a) Before starting” have been processed, before starting the engine.

Normal starting

Turn the key to “START” and start the engine. Release the key after the engine starts.

In case of a misfire of the engine

Carry out another starting according to the correct starting process.

If the engine can not start

Refer to “If the vehicle can not start” in Chapter 4.

Safety-check before Driving

You'd better carry out a safety-check before driving the vehicle. A check for minutes will be beneficial for your safe and enjoyable driving.

Note

In case of a check in a closed garage, make sure that the garage is well ventilated. The waste gas exhausted from the engine is harmful.

Check before Starting the Engine

The outer vehicle

Tire: Check the tire pressure with a tire pressure gauge and check carefully if there is cut, damage or excessive wear.

Wheel nuts: Make sure no looseness or loss of nuts.

Leakage: Check if there is leakage of oil or liquid under the vehicle after

the vehicle stops for a while. (It is normal in case of drips from A/C in operation.)

Illumination: Make sure that the head light, brake lamp, position lamp, steering indicator lamp and other illumination all work. Check the aiming of the head light.

The inner vehicle

Spare tire, jack and wrench for wheel nuts: Check the pressure of the spare tires and make sure there is a jack and wrench for wheel nuts.

Seat belt: Check if the buckle can be tightly fixed and make sure there is no wear nor scratch on the belt.

Instrument and controller: Specially make sure that indicator, instrument illumination and defroster work normally.

Brake: Make sure that there is enough free clearance for the pedal and ensure a normal braking.

The inside of the engine compartment

Spare fuse: Make sure there are fuses of all specifications for rating carrying capacity in the fuse box.

Coolant level: Make sure that the coolant level is correct (refer to the instruction in Section 7-2).

Battery and cable: Check if there is any corrosion, looseness or crack at the harness connector and check if the cable and connection is good.

Harness: Check if there is damage or looseness to the harness.

Fuel pipe: Check if there is leakage and looseness at the pipeline joint.

Oil level: Park the vehicle on flat ground and check if the oil level is correct. (Refer to the instruction in Section 7-2).

Driving Guidance under Different Situations

1. Stopping the vehicle

The vehicle should not be stopped at once when the engine is working, especially at a high rotation speed with high load. It should be stopped after 3-5 minutes low-speed run.

2. Rainy day or wading through water

Make sure that the air cleaner has been sealed well when running on the road with seep in rainy days or wading through water in normal times; otherwise, the water may enter the engine cylinder and cause damage to the components such as engine connecting rod.

3. Warming the engine in winter

In winter with relatively low temperature, the viscosity of oil will increase and its lubrication effect is worse than that in summer. Therefore, the engine should not work under large load at high speed immediately after it is started. It should be warmed for minutes at idle speed to increase the temperature of the oil and

coolant. Only after the engine is fully lubricated, can you drive the vehicle. In case of driving when the engine is not well lubricated, the components of the engine may suffer from over wear or even be locked.

● Drive slowly against the wind. It is convenient for controlling vehicle.

● Drive slowly on the asphalt at the side of street and keep the correct angle as possible as you can. Avoid driving on high and sharp-edged objects or other road barriers; otherwise the tire will be damaged abnormally.

● Decelerate when driving on a bumpy road; otherwise the tire or wheel will be seriously damaged.

● If the vehicle is parked on the hillside, rotate the front wheels to make them contact the roadside and use the parking brake to make them not slip. If necessary, place a crosstie under the wheels.

After the engine starts

Exhaust system: Check if there is gas leakage. In case of a leakage, immediately repair it (refer to "Engine Exhaust Warning" in Chapter 2).

During driving

Instrument: Make sure that indicators and gauges of all kinds in the instrument cluster work normally.

Brake: Find a safe place and make sure that the vehicle does not pull to one side when braking.

Pay attention to the initial stage and check carefully if there is abnormal noise.

●The brake will become damp in case of cleaning or passing by water. Check if the brake is normal under a safe condition. If the brake is abnormal due to the dampness, you can lightly step on the brake pedal while driving carefully under a condition of using the parking brake. If it still can not work normally, please stop the vehicle and contact the Lifan service station for assistance.

Note

- Before driving, make sure that the parking brake has been fully released and the parking brake indicator has gone out.
- The engine should work at idle speed for minutes for warm-up.
- In case of a long-distance driving down on a steep hill, please decelerate the vehicle and shift to a low-speed gear. Remember that too many times of stepping on the brake will cause over-heating and result in abnormal working of the brake.
- Be careful in case of accelerating, shifting to a high-speed gear or low-speed gear or braking on a slippery road surface. An abrupt acceleration or braking may cause a skid or spin.
- Do not continue to drive the vehicle normally when the brake is damp. In case of a damp brake, a relatively long brake distance is needed and the vehicle may be pulled to one side when braking. Likewise, the parking brake also can not stop the vehicle urgently.

Driving Tips in Winter

Make sure that the coolant has the right function of freeze protection.

Only coolant designated by Lifan can be used. Fill the coolant with proper type according to the ambient temperature into the cooling system.

An improper coolant will damage the cooling system.

Note

No use of clean water

Inspect the battery and cable

A cold weather will decrease the charge capacity of the battery. Therefore, the battery should keep a sufficient charge capacity to be helpful for starting in winter. The way of visual inspection of the battery is described in Section 7-3. And the inspection of charge level can be carried out at the Lifan service station.

Make sure that the oil viscosity is suitable for driving in winter

Refer to Section 7-2 for recommended oil viscosity. In winter, use of summer oil will cause difficulty in starting the engine. In case of uncertainty about the oil type, please turn to the Lifan service station for assistance.

Prevent the door lock from being frozen

Spray the deicing agent or glycerin into the door lockhole to avoid freezing.

Use the cleaning solution with antifreeze

This kind of product is available at the Lifan service station.

Warning

Do not use the antifreeze or other substitute as cleaning solution; otherwise the paint of the vehicle will be damaged.

In winter the parking brake may be frosted. Therefore do not use it in such a case

When parking, set the shift knob at a certain gear and block the rear wheels. Do not use the parking brake; otherwise the parking brake device will be frosted by seaper or snow, and then cause a hard release to the parking brake.

Avoid ice and snow accumulated under the mudguard

The ice and snow accumulated under the mudguard will cause difficulty in steering. When driving in cold winter, please always check if there is ice and snow under the mudguard.

You are recommended to take some necessary instruments according to different driving conditions, such as tire chain, window scraper, a bag of sand or salt, signal flash device, small shovel and connecting cables.

How to Save Fuel and Extend the Service Life of the Vehicle

It is simple and easy to save fuel. It is also helpful for extending the service life of a vehicle. The following are tips for saving fuel and repair expense:

●**Maintain a correct tire pressure:** An insufficient tire pressure will cause wear to the tire and waste fuel. Refer to Section 7-2 for instruction.

●**No unnecessary loads on the vehicle:** Excessive weight will increase the load of the engine and cause an increase of oil consumption.

●**Avoid warm-up idling for a long time:** Start driving the vehicle once the engine operates stably, but it must be stable. Be careful, it will take a longer time for the warm-up of the engine in winter.

●**Slow and stable acceleration:** Avoid rapid starting. You should drive at a high-speed gear as quickly as possible.

●**Avoid engine idling for a long time:** In case of parking to wait for someone for a long time in a place with no busy

traffic, you'd better stop the engine and restart it later.

●**Avoid lug down or over-speed rotation of the engine:** Select a proper gear according to the road conditions.

●**Avoid continuous acceleration and deceleration:** A driving with frequent stops will increase the oil consumption.

●**Avoid unnecessary parking or braking:** Keep a stable vehicle speed. Coordinate with the traffic light to achieve minimum parking times; or keep space to avoid emergency brake when driving on the road without traffic light, which will also reduce the wear of brake.

●**Avoid passing by area with busy traffic or traffic congestion as possible as you can.**

●**Do not put your feet on the clutch pedal or brake pedal for long:** That will cause early wear, over-heating and large consumption of oil.

●**Keep proper vehicle speed on the expressway:** The higher the vehicle speed is, the more oil will be consumed.

●**Maintain a correct alignment of the front wheels:** Avoid colliding with the road edge and drive slowly on bumpy road. An incorrect alignment of the front wheels will result in a fast wear to the tires and also increase the load of the engine, namely expand the oil consumption.

●**The chassis should be kept clean without slurry:** That will not only ease the load of vehicle body but also prevent corrosion.

●**Adjust the vehicle and maintain it under the best working state:** The performance of the engine will be affected and the oil consumption will also be increased by the unclean air cleaner, improper valve clearance, unclean spark plug, oil and lubricant and unadjusted brake. A regular maintenance should be carried out for a longer service life of

all components and a reduction in operation expense. In case of frequent driving under extreme condition, a more frequent maintenance should be implemented (refer to Chapter 6).

Warning

No stopping the engine when driving down the slope. Once the engine is stopped, the power steering and vacuum booster will not fully display their performance. Likewise, emission control device can work correctly only when the engine is running.

Urgent Trouble Treatment

If the Vehicle Can Not Start.....	123
If the Engine Misfires during Driving.....	126
If the Vehicle is Over-heated.....	126
If the Tire Leaks.....	127
If the Vehicle Gets Stuck.....	133
If the Vehicle Needs Trailering.....	134

If the Vehicle Can Not Start

(a) Simple inspection

Firstly make sure if you have started the engine according to the correct starting procedures described in “Engine Starting Ways” in Chapter 3, and check if the fuel is sufficient.

If the engine can not rotate or rotate too slowly

1. Check if the battery connector is tightly screwed down and clean.
2. Open the rear interior light and check if there is any problem in the battery.
3. The battery has been used up if the light does not illuminate or illuminate dimly or the vehicle can not start. You may try a jump-starting. Refer to the instructions in “(c) Jump-starting”.

If the rear interior light illuminates, but the engine can not start, a repair or adjusting is needed. You may contact the Lifan service station for repair.

Warning
No starting the vehicle by trailering or pushing. Otherwise, damage or collision may be caused to the vehicle when the engine starts. Meanwhile, the three-way catalytic converter will be over-heated to cause a fire.

If the engine rotates at a normal speed but can not start

1. Turn the ignition key to “ACC” or “LOCK”, and then restart the engine.
2. When the engine can not start, “engine flooding” may be caused due to restarting repeatedly. Refer to “(b) Starting flooded engine” for detail.
3. If the engine still can not start, a repair or adjusting is needed. You may contact the Lifan service station.

(b) Starting “flooded engine”

When the engine can not start, “engine flooding” may be caused due to restarting repeatedly.

In that case, step down the accelerator pedal to the bottom and meanwhile turn the key to “START”, and retain this state and then release it 5 seconds later; and then restart the engine when the accelerator pedal is under a free state.

If the engine still can not start after 5-second starting, release the key and restart the engine several minutes later.

If the engine still can not start, an adjusting or repair is needed. You can contact the Lifan service station for assistance.

Note
Each starting period should not exceed 3 to 5 seconds, otherwise the engine and circuit will be over-heated.

(c) Jump-starting

The following instructions must be abode by to avoid serious personal injury as well as damage to vehicle or electrical fittings due to battery explosion, electrolyte corrosion and electrical combustion.

You are strongly recommended to seek help from capable mechanic or professional personnel, if you are not clear about the process.

Warning
<ul style="list-style-type: none"> ●The battery contains corrosive and toxic fluid. Therefore, you must wear protective goggles during jump-starting. Avoid sulphuric acid spattering on your skin, clothes or the vehicle body. ●In case of battery fluid spattering on your body or into eyes due to carelessness, immediately take off the clothes with battery fluid and clean the affected part with clear water and then seek medical help.

<ul style="list-style-type: none"> ●The gas discharged by the battery will explode in case of flame or spark around. During the jump-starting, you must use standard jumper cable and must not smoke or light a match.

Note
The rechargeable battery must be 12V. Do not carry out the jump-starting before confirming the correct rechargeable battery.

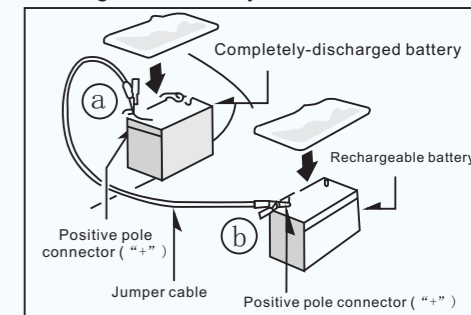
Jump-starting process

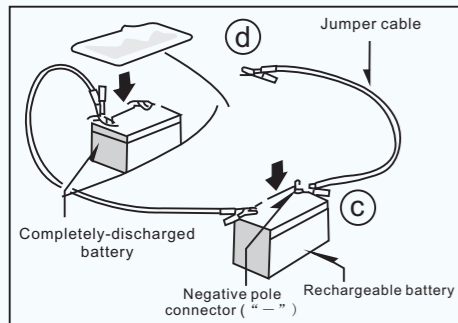
1. In case that the rechargeable battery is installed in another vehicle, you must confirm that the vehicles have no contact with each other and turn down all unnecessary lights and accessory equipments.
2. In case that the engine of the vehicle with rechargeable battery does not rotate, start it and run for several minutes. During jump-starting, lightly step on the accelerator

pedal and operate the engine at a rotation speed of 2,000 rpm (round/minute).

3. Connect the cable according to the process in a, b and c.

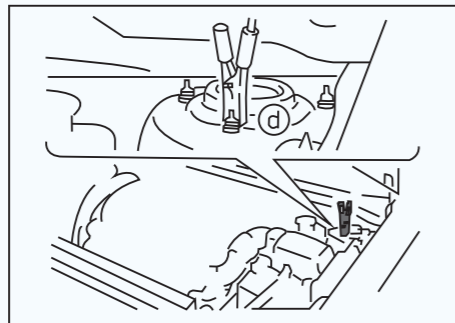
- a. Connect the clip of the positive pole (red) of the jumper cable to the equivalent connector (+) of the completely-discharged battery.
- b. Connect the clip of the other end of the positive pole (red) of the jumper cable to the equivalent connector (+) of the rechargeable battery.





- c. Connect the clip of the negative pole (black) of the jumper cable to the equivalent connector (-) of the rechargeable battery.
- d. Connect the clip of the other end of negative pole (black) of the jumper cable to a metal fixed point used for grounding in the vehicle with a completely-discharged battery.

Connection points are shown as below:



Connection points of jump-starting engine

Do not contact the jumper cable to any movable components during starting the engine.

Tips

To avoid any severe personal injury during connection, do not approach the battery or carelessly connect the jumper cable or clip to any other objects except the correct battery connectors or earth points.

4. Start the engine in the normal way. Then lightly step on the accelerator pedal and make the engine rotate at a speed of 2,000 rpm.
 5. Carefully dismantle the cable reverse to the installation procedure; firstly dismantle the negative pole cable and then the positive pole cable.
 6. Carefully take off the cloth on the battery which may be stuck to by electrolyte.
- In case that the battery discharges due to unclear reasons (e.g. the light still illuminates), you should contact the Lifan service station for check.

If the Engine Misfires during Driving

If the engine misfires during driving...

1. Slowly decelerate the vehicle and carefully drive the vehicle off the road to a safe place.
2. Open the emergency light.
3. Turn the ignition key to “ACC” or “LOCK”, and restart the engine.

If the engine still can not start, refer to “If the Vehicle Can Not Start” .

Note

In case that the engine does not run, the power assisting device of the brake and steering gear will not fully work. Therefore, it is much difficult than usual to carry out the steering and braking.

If the Vehicle is Over-heated

The engine may be over-heated in case of an over-heated indication on the coolant thermometer, or loss of power, or a knocking sound or bang noise. Please take the following treatment procedures...

1. Drive the vehicle safely off the road, park it and open the emergency light. Set the shift knob at neutral position and pull up the parking brake. In case of using A/C, close it.
2. Stop the engine in case of coolant or steam ejecting from the radiator or the reservoir. Open the engine hood after the steam fades away. Keep engine working and close the ignition switch in case of no coolant or steam ejection.

Warning

To avoid personal injury, keep the engine hood closed until there is no steam any more. The flowing of steam or coolant indicates a rather high pressure.

3. Check if there is an evident leakage in the radiator, hose and underside of the vehicle. However, it is normal in case of drips from A/C in use.

Warning

Your hands and clothes should keep a certain distance with the fan and engine belt in operation when the engine runs.

If the Tire Leaks

4. Immediately stop the engine in case of a leakage of coolant. Contact the Lifan service station for help.

5. Check the coolant reservoir in case of no evident leakage. In case that the reservoir is dry, fill it with coolant to the standard scale during the engine runs.

6. Recheck the coolant level in the reservoir when its temperature decreases to normal. If necessary, refill the coolant to the proper scale. A serious loss of coolant indicates a leakage in the system. In that case, contact the Lifan service station for immediate check.

1. Slowly decelerate and carefully drive the vehicle off the road to a safe place far from the busy traffic. Avoid parking at the center turnout track of the expressway.

2. Stop the engine and open the emergency light.

3. Pull up the parking brake and turn the shift knob to the neutral position.

4. All persons in the vehicle should get off to a safe place.

5. Read the following instructions carefully.

Warning

Do not dismantle the radiator cap when the engine and radiator are in a high-temperature state. The high-temperature steam and liquid ejecting due to pressure will cause serious damage to human body.

Warning

Follow the instructions below when using a jack to lift the vehicle to reduce the possibility of personal injury.

- Follow the instructions about jacking.
- Do not make any part of your body under the vehicle supported by a jack, because that will cause personal injury.

- Do not start or operate the engine when the vehicle is supported by a jack.

- Park the vehicle on flat and firm ground, pull up the parking brake tightly and turn the transmission to the neutral position. If necessary, set a baffle plate under the tire in the diagonal direction of the replaced tire.

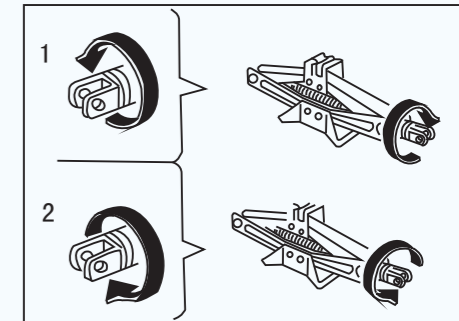
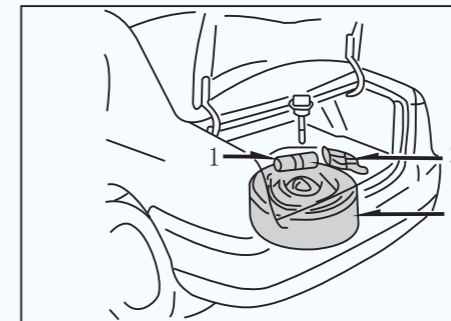
- Make sure that the jack has been set on the correct jacking point. An incorrect jacking position will cause damage to the vehicle or make the vehicle drop from the jack and cause personal injury.

- Any person should not be under the vehicle supported only by a jack.

- The vehicle can be supported by a jack only when replacing the tire.

- No jacking the vehicle in case of anybody in the vehicle.

Tools required and spare tires



- Do not place any object on or under the jack when lifting the vehicle.

- Only lift the vehicle to a height at which the tire can be removed and replaced.

Note

Do not continue to drive with a flat tire. Even driving for a short distance will damage the tire and make it can not be repaired.

Take out all tools required and spare tires.

- (1) Tool bag
- (2) Jack
- (3) Spare tires

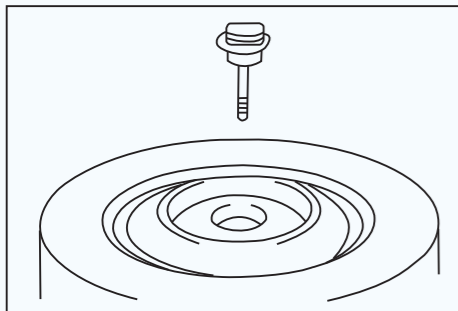
If you have to repair the vehicle by yourself under an urgent state, you must be familiar with the usage and storage place of the jack and various tools.

Turn the jack joint

Removal: Turn the joint according to direction 1 until the jack becomes loose.

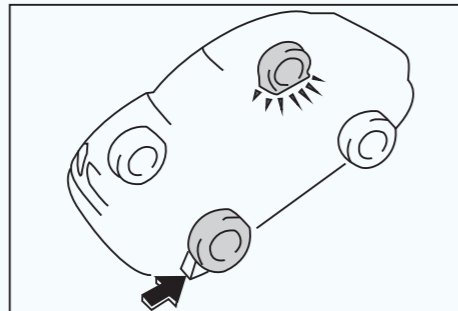
Storage: Turn the joint according to direction 2 until the jack is fixed tightly to prevent the jack from being thrown forward in case of collision or an emergency brake.

Block the wheels



Screw off the bolts and remove the spare tire. Then take off the spare tire from the vehicle.

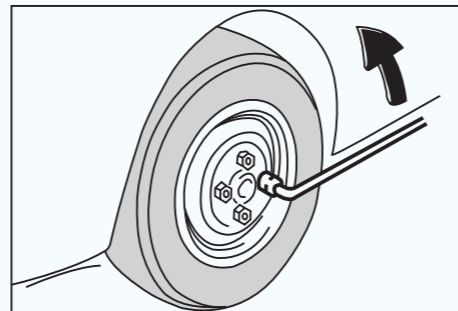
Put the spare tire with the outside up into the storage compartment when storing the spare tire. And then fix it, reverse to the above removal procedures to prevent the tire from being thrown forward in case of an emergency brake or collision.



Set a baffle plate under the tire in the diagonal direction of the replaced tire when using a jack, to avoid vehicle slide.

When blocking the wheel, put the baffle plate in front of the front wheel or behind the rear wheel.

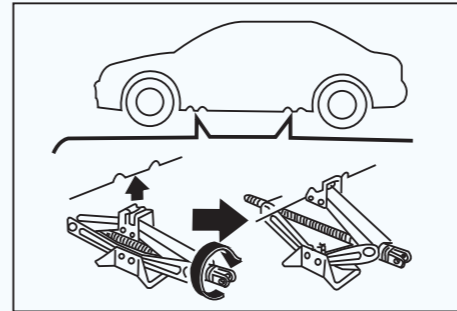
Screw off the wheel nuts



Screw off all wheel nuts of the flat tires. Screw off the wheel nuts before lifting the vehicle.

Turn the wheel nuts counter-clockwise and screw them off. To get a maximum torque, put the wrench into the nut according to the fig. above and make the wrench knob at right. Hold the end of wrench knob and pull it up. Be noted that the wrench should not slip out from the nut. Do not remove the nut, only screw it off for one and a half turns.

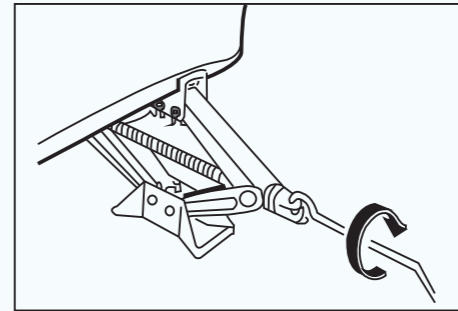
Jack alignment



Put the jack at the correct jacking point according to this fig.

Make sure that the jack is put on flat and firm ground.

Lifting the vehicle

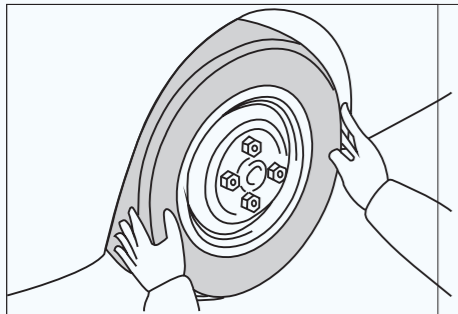


Lift the vehicle to a height at which the spare tire can be installed.

Before lifting the vehicle, insert the jack knob into the jack (loose contact), and then turn it clockwise. When the jack contacts the vehicle and starts rising, recheck if it is at the correct position.

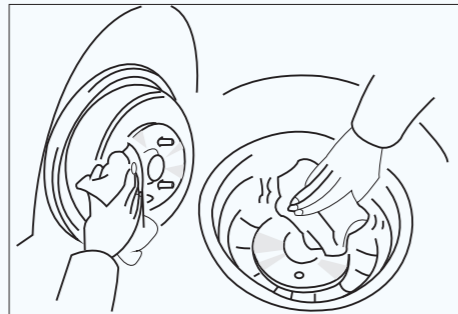
Warning
Personnel should not be under the vehicle supported by a jack only.

Replace the wheel



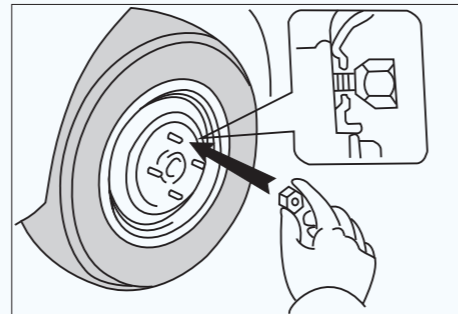
Remove the wheel nuts and replace the tire.

Roll the spare tire to the installation position. Align the bolts to the wheel hole. Then raise the wheel until the bolt at the uppermost goes through the screw. Rotate the tire and push it backwards until other bolts go through the screw.



Brush all the corrosives on the installation surface by a wire brush before installing the wheels. A bad contact between the metal faces of the installation surface during the installation will make the wheel nuts loose and cause the wheel to fall off during driving.

Reinstall the wheel nuts

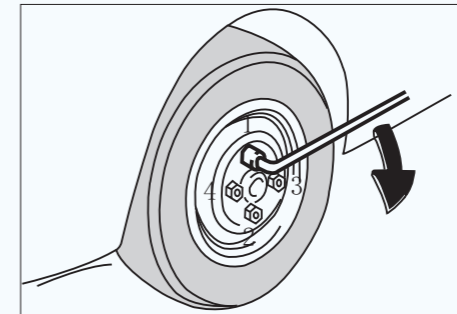


Reinstall all wheel nuts.

When reinstalling the wheel nuts (the wedge-shaped end facing inward), screw down the nuts to full, push the wheel inward to see if it can be further screwed down.

Lower the vehicle

Warning
Do not apply oil or lubricant onto the bolt or nut, because that may cause the nut to be screwed down over-tightly and even damage the bolt. The nut will become loose for that, which will cause the wheel to fall off and bring severe accidents. In case of oil or lubricant on the bolt or nut, clean them out.



Lower the vehicle completely and screw down the wheel nuts.

Rotate the jack knob counter-clockwise to lower the vehicle.

Only the wheel nut wrench can be used to screw down the nuts. No use of other tools or any other lever except your hands. Make sure that the wrench has been tightly set on the nuts.

Screw down the nuts according to the order shown in the fig. , and screw them tighter each time. Repeat this process until all nuts are screwed down tightly.

Warning
<ul style="list-style-type: none"> When lowering the vehicle, please make sure that all people have left to avoid any injury due to the vehicle descending. Immediately use a torque wrench with 103N · m (10.5 kgf · m) torque to screw down the wheel nuts after replacing the wheel. Otherwise, the nuts will become loose and cause the wheel to fall off, and then cause a serious accident.

After replacing the wheel

Check the tire pressure after replacement.

Adjust the tire pressure to the value regulated in Chapter 8. In case of an air pressure lower than the regulated value, drive the vehicle slowly to the close service station for inflation to make the air pressure reach the correct value.

Remember to install the valve cork, otherwise the dust and moisture will enter the valve core and may cause a leakage. In case the valve cork is lost, immediately replace a new one.

Put away all tools, jack and flat tires properly.

After wheel replacement, use the torque wrench to screw down the wheel nuts to the torque value regulated in Chapter 8. The flat tires should be repaired by the professional personnel.

Warning

Before driving, make sure that all tools, jack and flat tires are fixed at the storage place to reduce the possibility of personal injury in case of emergency brake or collision.

If the Vehicle Gets Stuck

In case that the vehicle gets stuck in the snow, mud basin and sands, try to push it back and forth to let it free.

Warning

When driving a stuck vehicle, do not push the vehicle back and forth to let it move if there is people or object near the vehicle, because the vehicle, when it is being pushed, will suddenly move forwards or backwards after escaping from the trap, which may cause an injury to the people or damage to objects around.

If the Vehicle Needs Trailering

Trailering from the front



Using a platform truck



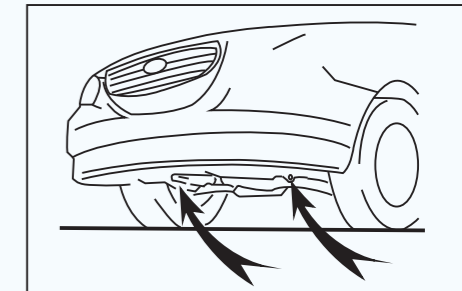
The application of proper trailering equipments during trailering process will ensure no damage to the vehicle.

A wrong trailering way may damage the vehicle. Most of trailer operators are familiar with the correct towing way. However a mistake may occur too. The precaution measures below should be followed in order to avoid any damage to the vehicle.

Precaution measures for trailering

All trailering should use a safety chain system and abide by the laws of the state/province or municipality and the local government. The wheels and axle contacting the ground should be at a good state. In case of any damage, apply a platform truck.

Urgent trailering



In case of a need for trailering, the Lifan service station are recommended to handle that for you.

In case that a trailer company can not be found during an urgent trouble, you can fasten the towing cable or chain at the urgent towing pothook and trailer the vehicle temporarily. Extra care must be paid during trailering.

Chapter 5

Anti-corrosive and Outer Maintenance of the Vehicle

Anti-corrosive on Vehicle Body.....137
 Vehicle Cleaning and Waxing.....138
 Inner Cleaning..... 140

Note

- Only the specified towing pothook can be used, otherwise the vehicle may be damaged.
- Do not trailer the vehicle backwards in case of four wheels on ground; otherwise the vehicle may be damaged.

The driver must sit in the vehicle for driving and operating the brake.

This trailering way can be used only on hard ground at low speed for a short distance. Meanwhile, the wheel, axles, transmission system, steering wheel and brake must be at a good state.

Warning

Special care should be taken when trailering a vehicle. Avoid abrupt starting or unstable driving operation, because these will cause huge pressure on the urgent towing pothook and towing cable or chain. The pothook and towing cable or chain may be broken and then cause severe injury to people or damage to the vehicle.

Note

Only use the special towing cable or chain and fasten them at the towing pothook.

Before trailering, release the parking brake and turn the shift knob to the neutral position. And the key should be at “ACC” (engine closed) or “ON” (engine running).

Note

In case that the engine does not run, the power assisting device of the brake and steering gear will not work. Therefore, It is much difficult than usual to carry out the steering and braking.

Anti-corrosive on Vehicle Body

A correct maintenance of the vehicle can protect it from corrosion for long. Most common causes for vehicle corrosion:

- The underside of vehicle is covered with salt and alkali, dust and moisture.
- Protective paint cover scratched by a light collision or stone and grit.

It is essential to take an extra care in case of living in a special region or operating the vehicle under special environment.

- The salt and alkali or dust with chemical materials on the road will accelerate the corrosion. Even in the coastal area or industrial pollution region, there is still salinity in the air.
- A high humidity will accelerate the corrosion, especially in case of a temperature barely above zero.
- A certain part of the vehicle being wet or damp for a long time will be corroded, although other parts keep dry.

- A high room temperature will cause corrosion to the vehicle components which can not get dry fast due to the lack of correct ventilation.

The above shows that it is very important to keep the vehicle clean as much as possible, especially the bottom of the vehicle body, and repair the damaged paint and protection layers as soon as possible.

Follow the rules below to prevent LF620 from corrosion:

Always clean the vehicle: A regular cleaning may keep the vehicle body clean. Please abide by the following rules to avoid corrosion.

- Clean the running part of the vehicle at least once each month to avoid corrosion in case of driving on the road with salt and alkali in winter or at coastal areas.

- High-pressure or steam is very effective for cleaning the chassis and wheel cover. It is hard to see all the slurry and dirt in those two places. Therefore, an extra attention must be paid. It will cause more serious danger in case of only roughly moistening but not cleaning the slurry and chips. The drain holes of door lower brim, doorsill plate and the vehicle frame must not be obstructed by dust; otherwise the seeper in those parts will cause corrosion;

- Completely clean the chassis after winter.

Refer to “Vehicle Cleaning and Waxing” for more details.

Check the paint and trims: In case of any fragment or crack on the paint layer, please immediately go to the Lifan service station for repair to prevent corrosion. In case of fragment or crack falling off the metal surface, please go to the Lifan service station for repair.

Vehicle Cleaning and Waxing

Cleaning Lf620

Clean the car in normal way. The following cases will cause the paint layer to fall off or result in corrosion to the vehicle body and components. Please immediately clean the vehicle and repair that.

- Driving in the coastal region
- Driving on the road covered with antifreeze.
- Stuck by coal tar, resin, ornithocopros and dead insects
- Driving in a region with a great deal of soot, coal ash, dust, scrap iron or chemical materials
- Being evidently dirtied by dust and slurry

Manual cleaning of LF620

Clean the vehicle after its body feels not hot in a shady place.

Check the inner vehicle compartment: The moisture and dust covering the floor mat will cause corrosion. Please always check the place under the mat and make sure it is dry. Take an extra care during the transportation of chemicals, cleanser, fertilizer, salt and other materials which should be transported by proper containers. In case of any spill or leakage, please immediately clean and keep it dry.

Application of mudguard: The mudguard can protect the vehicle in case of driving in salty and alkali region or on gravel roads. It is better if the mudguard is bigger and closer to the ground. The wheel house mudguard for LF620 is optionally installed. This installation service is available at the Lifan service station.

Park the vehicle in a fully-ventilated garage or a place with roof. Do not park it in a damp and airtight garage. The garage will become damp due to cleaning vehicle in it or the vehicle driving through a seeper or snow road, resulting in corrosion. Although the garage is very dry, bad ventilation will also cause corrosion to a damp vehicle.

Note

Be careful not to hurt your hands when cleaning the underside of the floor or the chassis.

1. Wash away the loose dirt by a water pipe, and wash away all the slurry on the vehicle bottom and depressed part of the wheel or the salt and alkali on the road.

Warning

Do not install the seriously damaged plastic wheel trims; otherwise, the wheel trims will fly off the wheel and cause an accident during driving.

2. Clean the vehicle with neutral cleaning solution. The mixture of cleaning solutions should be carried out according to the instructions of the manufacturer. Dip a soft cloth with cleaning solution and wipe away the dirt by suds and clean water. Do not wipe it forcefully.

Plastic wheel trims: The plastic wheel trims are easily damaged by organism. In case of any organism spattering on the trim, do wipe it away by clean water and check if the trim is damaged.

Aluminum-quality wheel: Only use neutral suds or neutral cleaning solutions.

Plastic bumper: Take care of cleaning the bumper. No wiping it with cleaning solution containing abrasive.

Asphaltum: Clean it by turpentine or the cleanser labeled no harm to the paint.

Warning

No using organism (petrol, kerosene, naphtha or strong dissolvent); otherwise, poisoning or damage will be caused.

3. Wash away the suds completely; otherwise, it will become speckles when it is dry. In case of cleaning in summer, clean each part with clean water correctly.

4. Use a clean soft towel to dry the vehicle body to avoid water marks. Do not wipe or press the vehicle forcefully; otherwise the paint surface will be damaged.

Waxing of LF620

Polishing and waxing for the vehicle body is recommended for maintaining a shining outlook of the vehicle.

A waxing should be implemented for once each month or anytime when the vehicle surface can not be well water-resistant.

1. Before waxing, do wash the vehicle first and dry its body, even if using the compound of cleanser and car wax.

2. Use high-quality polish agent and car wax. In case that the car polishing has seriously effloresced, use the cleaning polish agent separately from waxing. Follow the instructions and precaution measures from the manufacturer carefully; the chrome plating and paint surface both need polishing and waxing too.

3. Redo the waxing in case that water does not form beads and still retains on a large contact surface.

Note

In case redoing the waxing and parking the vehicle in a painting workroom at high temperature, take off the plastic bumper; otherwise, it will be damaged due to the high temperature.

Inner Cleaning

Note

Do not clean the inner floor by water or make water flow into the floor when cleaning the inner or outer vehicle. Water may enter the carpet (or mat) or the acoustics components or other electrical components on and below the carpet and cause a malfunction, and even result in corrosion on the vehicle.

Carpet

Clean the carpet with high-quality foam cleaning solution.

Use a dust collector to wipe away the dust possibly. There is various foam cleaning solutions for use. Some is stored in an aerosol can; others are powder or fluids which produce foams when mixed with water. Clean the carpet by a sponge or brush immersed with foams. Wipe it in a circle way.

Do not use clean water. And keep the carpet dry as possibly as you can. Read the instructions for cleaning solutions and follow them strictly.

Safety belt

The safety belt can be cleaned by neutral suds or lukewarm water.

Use sponge or soft cloth for cleaning. Do check if the belt is excessively worn, frizzled or has shear mark.

Note

- The safety belt should not be cleaned by a staining agent or bleaching agent which will weaken the strength of the belt.
- No using the belt before it is dry.

Door and window

The door and window can be cleaned by any cleanser for home-use.

Note

Take care not to scratch or damage the heating wire or connectors when cleaning the inside of rear window.

A/C control plate, acoustics, dashboard, control plate and switch

To clean them with a moist soft cloth. Moisten a clean soft cloth in water or lukewarm water, and then wipe away the dust lightly.

Chapter 6

Note

- No using organism (dissolvent, kerosene, alcohol, petrol etc.) or acid and alkali solution, which will result in fading, staining or peeling of the surface.
- Confirm that the components do not have the above-stated materials in case of using cleanser or polish agent.
- Do not spatter the fluid into the inner surface of the vehicle in case of using a new-type cleaning solution, because it may contain the above-stated components. Clean all the spattered fluid immediately in the above-stated way.

Leather trims inside the vehicle body

The leather trims can be cleaned by neutral cleanser applied to woolen textiles.

Wipe the dust by a soft cloth immersed with solution with 5% neutral cleanser applied to woolen textiles. And then wipe away the residual cleanser completely by a clean moist cloth.

In case of any moistened part of the leather or after cleaning, clean it with a clean cloth and lay it at a ventilated and shady place for drying.

Note

- In case that the dirt can not be wiped away by the neutral cleanser, a cleanser not containing organic solvent can be applied.
- No using organism such as naphtha, alcohol, petrol or acid and alkali solution for cleaning the leather, because these materials will result in color fading.
- The nylon brush or synthetic fiber cloth will scratch the good texture on the leather surface.
- Dirty leather trim will produce mildew. Be extremely careful to avoid oil stain and always keep the trim clean.

- A long-time exposure to the sunshine will result in surface hardening or shrinkage of leather. Therefore, park the vehicle at a shady place, especially in summer.

- Since the temperature of the inner vehicle becomes high easily in hot summer, you should avoid placing any object made of vinyl plastic, plastic or material containing wax, because these objects will stick to the leather under a high temperature.

- A wrong cleaning of the leather trim will result in color fading or stain.

In case of any question about cleaning, please contact the local Lifan service station .

Maintenance Instructions

Maintenance	143
Whether the Vehicle Needs to Be Repaired.....	144
Maintenance Scheme for Lf620.....	145

Maintenance

It is important and necessary to carry out a regular maintenance

Lifan strongly advises you to carry out a regular maintenance according to the maintenance scheme, which will be helpful for:

- Saving fuel
- Extending the service life of the vehicle
- Enjoying the fun in driving
- Safe driving
- Stable traveling
- Meeting the guarantee regulation
- Conform to the government regulations

Lifan car has been designed for economical driving and maintenance. Many maintenance items required before are not needed now or not needed as much as before. The maintenance must be carried out according to the maintenance scheme to guarantee the vehicle operating at the best running efficiency.

Where to get maintenance?

The ideal maintenance is available at the local Lifan service station.

All the technicians in Lifan service station have received professional trainings in Lifan Automobile before practices. They know about the latest service information of technology magazine, maintenance guidance and the inner training scheme of agents.

The Lifan service station contribute a great deal of capital to provide special tools and maintenance equipments for all styles of Lifan vehicles. That will be greatly helpful for accomplishing the maintenance work and reducing the expense.

The Lifan service station provide reliable and economical maintenance service for all vehicles according to the maintenance scheme.

Whether the Vehicle Needs to Be Repaired?

Pay attention to the change in performance and sound of the vehicle. Some important cases as below:

- The engine misfires, is unstable or sounds bang noise
- Power decreases evidently
- Abnormal noise from engine
- Oil and water leakage under the vehicle (the drip from the A/C is normal)
- Change in exhaust sound (That may be due to the leakage of dangerous CO. Drive with the window open and immediately check the exhaust system)
- Leakage of tire; excessive tire noise when turning; uneven tire wear
- The vehicle pulls to one side during a straight-line running on flat ground
- Abnormal noise relevant with the movement of suspension equipments

- Ineffective brake; stepping on the brake pedal or clutch pedal feels like on a sponge; the pedal nearly contacts the floor; the vehicle pulls to one side when braking

- Continuously high temperature of engine coolant

In case of any case described above, immediately contact the Lifan service station. The vehicle maybe needs adjusting or repair.

Warning

No continuing to drive an unchecked vehicle; otherwise, that may cause damage to the vehicle and injury to persons.

LF620 Maintenance Scheme

The LF620 Maintenance Scheme can guarantee stable driving, less trouble, safe and economical driving.

For time interval of maintenance, refer to the scheme table, which is defined as per the reading of odometer or time interval, whichever is earlier for maintenance should apply.

As for the maintenance items exceed the time limit, carry out maintenance in the same time interval.

The time and mileage interval for each item are included in the maintenance scheme.

The rubber hose (for A/C and heating system, brake system and fuel system) should be checked by professional technicians as per the LF620 Maintenance Scheme.

These are especially important maintenance items. For any problems like aging, crazing or damage, the hose should be replaced immediately.

Note

The rubber hose will be aging and crazing as time goes by, resulting in bulging, abrasion or cracking.

Maintenance Scheme Requirement

LF620 should be maintained as per normal maintenance scheme (refer to "Maintenance Scheme").



If mainly driving under one or more of the harsh conditions below, then some maintenance items need to be carried out more frequently.

A. Road Condition

1. Always driving on uneven, muddy road or the road with melting snow.
2. Driving on dusty road.

B. Driving Condition

1. Carry out repetitive short driving within 8km under the temperature below zero degree.
2. The car is always under idle and/or driving at low speed for long, e.g. police wagon, taxi or delivery car.

Maintenance Scheme

Operation: I = check, correct or replace when necessary; R = replace, change or lubricate; C = clean.

Item	Time interval	The reading of odometer is month, whichever is earlier should apply															
		The first maintenance															
	× 1000km	3	8	16	24	32	40	48	56	64	72	80	88	96	104	112	
	Month	3	3	6	9	12	15	18	21	24	27	30	33	36	39	42	
Basic component of engine																	
1. Check whether there is crazing, flying chip on the driving belt, also for its abrasion and strain		I		I		I		I		I		I		I		I	
2. Check whether the ignition cable is damaged						I				I				I			
3. Replace the timing belt of engine						I				I				I		R	
														R: every 70,000 km			
4. Check whether the oil and gas control system of crankcase is normal						I				I				I			
5. Check and replace the spark plug				I		I		R		I		I		R		I	
6. Check whether the cooling water pipe is damaged, and the pipe joints are locked				I		I				I				I			
7. Check the level of the engine coolant in the reservoir		I		I		I		I		I		I		I		I	
8. Change the engine coolant						R				R				R			
9. Check whether the air cleaner is blocked or damaged			I	I	I	I	I	I	I	I	I	I	I	I	I	I	
										I: shorten the circle as required							
10. Replace the filter element of air cleaner				R		R		R		R		R		R		R	
										R: shorten the circle as required							
11. Check the gear oil level in manual transmission		I		I		I		I		I		I		I		I	

Item	Time interval	The reading of odometer is month, whichever is earlier should apply															
		The first maintenance															
		× 1000km	3	8	16	24	32	40	48	56	64	72	80	88	96	104	112
		Month	3	3	6	9	12	15	18	21	24	27	30	33	36	39	42
12. Replace the gear oil in manual transmission	Normal usage					R								R			
	Harsh usage	R: shorten the circle as required															
13. Replace the oil	Normal usage	R	R	R	R	R	R	R	R	R	R	R	R	R	R	R	R
	Harsh usage	R: every 3,000km															
14. Replace the filter element of oil filter	Normal usage	R	R	R	R	R	R	R	R	R	R	R	R	R	R	R	R
	Harsh usage	R: every 3,000km															
15. check the battery for performance		I	I	I	I	I	I	I	I	I	I	I	I	I	I	I	I
16. Check the idle speed of engine		I		I		I		I		I		I		I		I	
17. Check the ignition timing		I				I				I				I			
18. Check the air hose of crankcase				I		I		I		I		I		I		I	
19. Check the valve clearance		I				I				I				I			
20. Check whether there is leakage at the joint of exhaust pipe				I		I		I		I		I		I		I	
21. Throttle body				C		C		C		C		C		C		C	
22. Injection nozzle				C		C		C		C		C		C		C	
23. Check the oxygen sensor				I		I		I		I		I		I		I	
24. Check the three-way catalytic converter				I		I		I		I		I		I		I	
Purge control system of fuel and exhaust																	
25. Fuel cleaner				R		R		R		R		R		R		R	

Item	Time interval	The reading of odometer is month, whichever is earlier should apply															
		The first maintenance															
		× 1000km	3	8	16	24	32	40	48	56	64	72	80	88	96	104	112
		Month	3	3	6	9	12	15	18	21	24	27	30	33	36	39	42
26. Fuel tank lid, fuel pipe and joint		I				I				I				I			
27. Charcoal canister				I		I		I		I		I		I		I	
Chassis and vehicle body																	
28. Brake pedal and parking brake		I		I		I		I		I		I		I		I	
29. Brake pad and brake drum		I		I		I		I		I		I		I		I	
30. Brake fluid		I	I	I	I	I	R	I	I	I	R	I	I	I	R	I	I
31. Brake system piping and hose				I		I		I		I		I		I		I	
32. Power-assisted steering fluid				I		R		I		R		I		R		I	
33. Steering wheel, pulling rod				I		I		I		I		I		I		I	
34. Dustproof cap of drive shaft				I		I		I		I		I		I		I	
35. Ball pin and dustproof cap		I		I		I		I		I		I		I		I	
36. Front and back suspensions				I		I		I		I		I		I		I	
37. Tire and charge pressure		I	I	I	I	I	I	I	I	I	I	I	I	I	I	I	I
38. Check the alignment of front and rear wheels		I	I	I	I	I	I	I	I	I	I	I	I	I	I	I	I
39. Check whether there is oil clearance at wheel bearing				I		I		I		I		I		I		I	
40. A/C or heating system		I		I		I		I		I		I		I		I	
41. Air filter of A/C		I		R		R		R		R		R		R		R	
42. Refrigerant of A/C Unit				I		I		I		I		I		I		I	
43. Headlamp, horn, wiper and washer				I	I			I						I			

Chapter 7

Maintenance DIY

Time interval	The first maintenance		The reading of odometer is month, whichever is earlier should apply													
	× 1000km	3	8	16	24	32	40	48	56	64	72	80	88	96	104	112
Item	Month	3	3	6	9	12	15	18	21	24	27	30	33	36	39	42
44. Check the air bag system			I		I		I		I		I		I		I	
44. Check the damage of vehicle body	Annually															

Note:

The “harsh usage” specification is only applicable to the car under harsh condition, which includes the following:

- (1) Driving in dusty area or often exposed to salty air or the sea environment.
- (2) Driving on uneven, watery or mountainous roads.
- (3) Driving in cold area.
- (4) In cold season, the engine operates at idle speed for long or the car often drives short distances.
- (5) Frequent braking and emergency brake.
- (6) Used as tractor-trailer.
- (7) Used as taxi or rental car.
- (8) In the temperature above 32°C, driving in crowded city proper, and the driving time of which surpasses 50% of its total driving time.
- (9) In the temperature above 30°C, driving at 120km / h or higher speed, and the driving time of which surpasses 50% of its total driving time.
- (10) Overloaded driving.

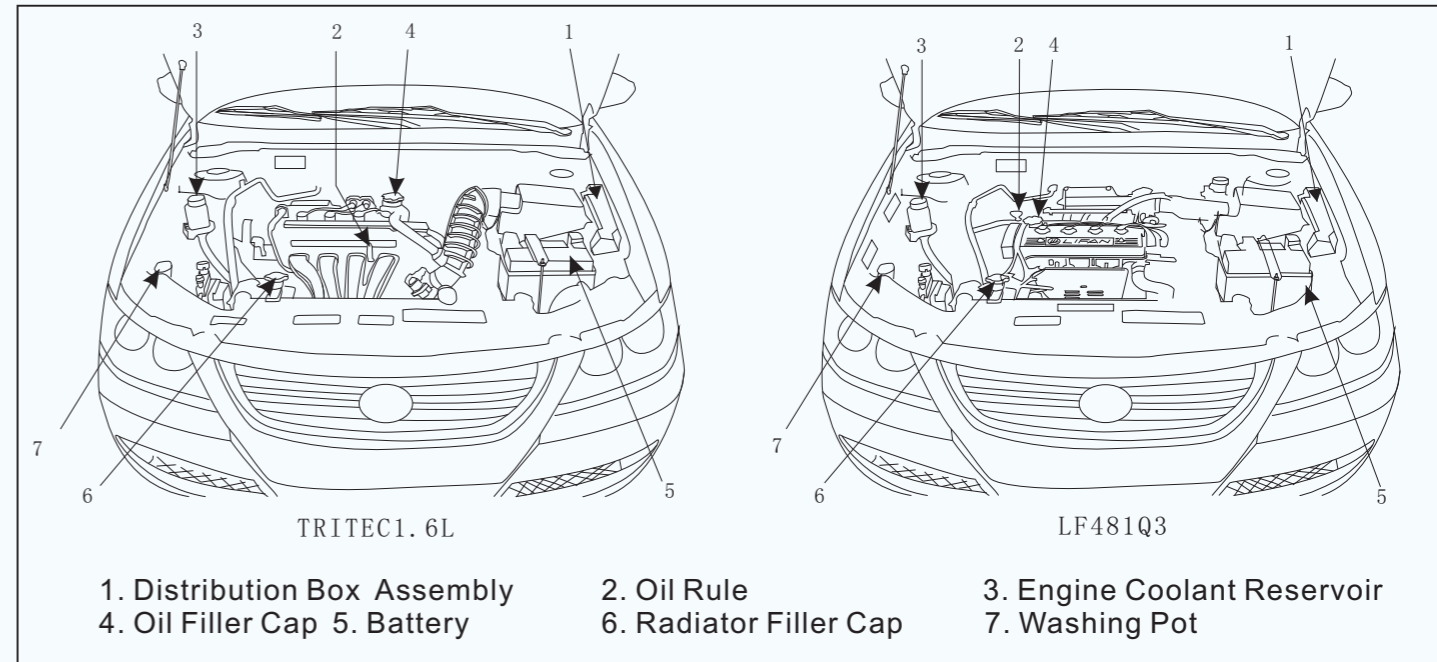
Foreword.....	151
Engine and Chassis.....	156
Electrical Component.....	164

Section 7-1

Maintenance DIY

Engine Compartment Appearance.....	152
Notes for Maintenance DIY.....	153
Alignment of Jack.....	155

Engine Compartment Appearance



Notes for Maintenance DIY

To carry out maintenance DIY, it is necessary to do as per the correct procedures in this section.

This section is just for some maintenance work which is easy to carry out for users. As mentioned in Chapter 6, the first and regular maintenance must be carried out by professional technicians using special tools in Lifan service station.

During maintenance work, be especially careful to avoid incidental injuries. The following prevention measures should be abode by especially.

Warning

- When engine runs, hands, clothes and tools should be far away from the running fan and engine belt. (Better to take off things like ring, watch and tie.)
- When the car has exactly finished a driving, the temperature of engine compartment—engine, radiator, exhaust pipe, power-assisted steering fluid storage tank, spark plug etc. is very high. So be careful not to touch. The temperature of oil, coolant and spark plug is also very high.
- If the engine is too heated, then don't take off the radiator cap or loose the drainage plug, for avoiding burns.
- Never leave behind such flammable articles as paper, cloth in the engine compartment.
- Before working around the grille plate of cooling fan or radiator, it is necessary to make sure that the ignition switch is turned off. When the ignition switch is turned on, if the temperature of

- engine coolant rises or the A/C is turned on, the electrical cooling fan of engine will run automatically.
- Open flames are strictly prohibited around fuel tank or battery, for avoiding a fire.
- When disposing the battery, be especially careful, for the battery contains corrosive electrolyte.

Warning

- When the car is only jacked by body jack, people don't come under the car, do support the car with support frame or other strong strut.
- Whether working above or below the car, goggles are to be worn, for avoiding falling or dropping articles and spattering fluid.

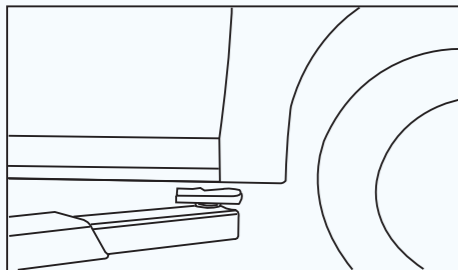
Note

- Remember that, both battery and ignition coil bear high current or voltage. Be careful to prevent accidents resulting in short circuit.
- If the coolant is overflowing, it is necessary to clean it with water, for avoiding damaging components or paint coat.
- Prevent any miscellany from dropping into the spark plug hole.
- Strictly prohibit to pry the outer electrode beside the central electrode of spark plug.
- Only use the spark plug of designated model.
- No overfill the power-assisted steering fluid, or the power-assisted steering will be damaged.
- If the brake fluid is overflowing, it is necessary to clean it with water, for avoiding damaging components or paint coat.

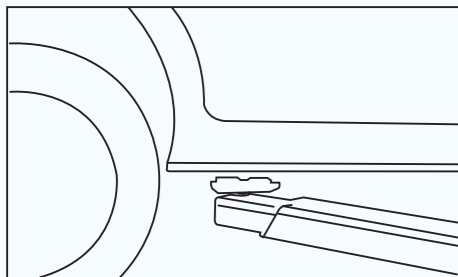
Note

- Strictly prohibit to drive when the air cleaner is taken off, or it will result in excessive wear of engine.
- Be careful not to scratch the windshield by the wiper.
- When closing the engine hood, check whether there is anything like tools, cloth etc left behind the engine compartment.

Alignment of Jack



Front



Back

To jack the car, the jack is to be laid correctly as the fig. shows.

Warning

To jack the car, it is necessary to abide by the following regulations to minimize the probable injuries:

- When the car is jacked, don't start up or operate the engine. Avoid breathing in the exhaust gas from the engine, since the gas contains CO, which is colorless, odorless, moreover will make the human numb, even die.

- When the car is only jacked by body jack, people don't come under the car, do support the car with support frame or other strong strut, or else injuries will occur.

- Park the car at flat ground, make sure that the parking brake is pulled, block the wheel opposite of the jacking point if necessary.

- Make sure that the jack is laid at correct jacking point.

- No jacking when there is somebody in the car.

- When lifting the car, don't lay anything above or below the jack.

Note

Make sure that the jack is packed away correctly, or the car will be damaged.

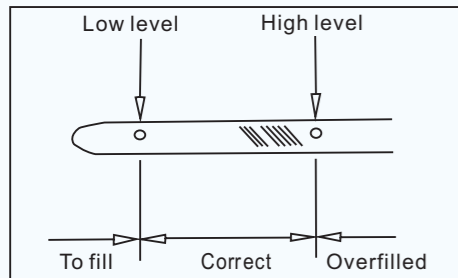
Section 7-2

Maintenance DIY

Engine and Chassis

Check the oil level	157
Check the engine coolant level.....	158
Check the radiator and condenser	159
Check the tire pressure	159
Check and replace the tire	160
Exchange tire	161
Install tire chain	162
Replace wheel.....	163
Notes for aluminums alloy wheel	163

Check the oil level



When the engine is under working temperature, shut down the engine, check the oil level with oil rule.

1. To obtain correct reading, it is necessary to park the car at flat ground, shut down the engine and wait for several minutes, let the oil gather at the bottom of engine.
2. Pull out the oil rule and clean its end.
3. Insert the oil rule again, and try to stick it to the bottom, or else the reading is inaccurate.
4. Pull out the oil rule and check the oil level.

Note

Noted that not drop any oil on the components of the car.

If the oil level is below or just a little above the low level, it is necessary to fill the oil of the same type.

Take off the oil filler cap, fill small quantities of oil every time and check the oil rule.

When the oil level reaches the right range, put on the filler cap and screw it down.

Note

- Avoid overfilling, or the engine will be damaged.
- When the filling is finished, recheck the oil level on the oil rule.
- Insufficient oil will cause under-pressure of engine oil, resulting in poor lubrication, bringing about intensified wear and poor cooling of engine, causing frequent troubles and affecting the service life of engine.

Check the engine coolant level

When the engine is under cooling state, check the coolant level in the reservoir, if it is between the marking lines of "FULL" and "LOW", it conforms to the requirements. If the oil level is on the low side, it is necessary to fill coolant. (For the type of engine coolant, refer to the "selection of coolant type" below.)

The coolant level in the reservoir will change along with the temperature variation, however, if the level is at or below the "LOW" line, it is necessary to fill coolant, to make the level reach the "FULL" line.

After filling coolant, if the level of coolant declines within a short time, then some leakage exists in the system. It is necessary to check the radiator, hose, radiator cap, drain plug and water pump.

If no leakage is found, it is necessary to test the cap pressure and check whether there is any leakage at the Lifan service station.

Warning

To avoid burns, when the engine is at hot condition, don't take off the radiator cap.

Selection of coolant type

Only use the coolant designated by Lifan, it is necessary to fill proper type of coolant into the cooling system as per the ambient temperature.

Note

Don't just use clean water.

Use of improper coolant will damage the cooling system of engine.

For details, contact the Lifan service station.

Warning

It is necessary to obtain enough coolant for the cooling system to ensure the normal operation of engine, or "boiling" of car will occur. When the engine is working under overheated condition, the service life will be affected, so much as resulting in bad accidents like engine scraping.

Check the radiator and condenser

When either radiator or condenser has already extremely dirty or their condition can't be made sure, it is necessary to send the car to be checked and repaired at the Lifan service station.

Note

To avoid burns, when the engine is under hot condition, be careful not to touch the radiator or condenser.

Note

To avoid the damage of radiator and condenser, don't carry out operation by yourself.

Check the tire pressure

Maintain a correct tire pressure.

For the recommended cold tire pressure and tire size, refer to Chapter 8.

It is necessary to check the tire pressure once every two weeks or at least every month. Don't forget to check the pressure of spare tire.

Incorrect tire pressure will lead to more oil waste, lowered driving comfort, shortened tire service life and lowered driving safety.

If the tire needs to be charged too frequently, it is necessary to demand the Lifan service station for checking.

Warning

Maintain a correct tire pressure, or else, the following circumstances or even serious injuries will occur.

Low tire pressure (insufficient charge)

- Excessive wear
- Super normal wear
- Hard to control
- Leakage resulting from overheated tire
- Weakened sealing performance at the

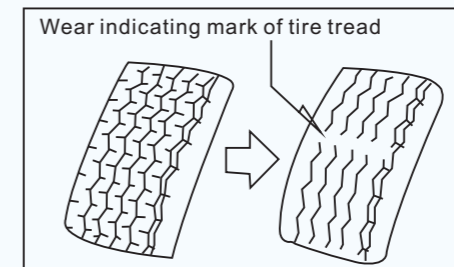
hoop of tire

- Deformed wheel and/or tire separation

High tire pressure (overcharge)

- Hard to control
- The central of tread pattern is over worn
- The hard part of road will more likely cause tire damage.

Check and replace the tire



Check the tire

The wear indicating mark is used to help check the tire tread. If it is observed, it is necessary to replace the tire.

The tire of LF620 is embedded with wear indicating mark for indicating the time for tire replacement. When the wear depth of tire tread reaches 1.6mm or less, the wear indicating mark may be seen. If there is wear indicating mark between two or more adjacent pattern grooves, it is necessary to replace the tire. The thinner the tire tread is, the greater the risk of slipping and tire burst is.

When checking the tire pressure, it is necessary to abide by the following instructions:

● **Check the tire pressure only when the car is cold.** Only when the car has been parked for at least 3h or drives less than 1.5km, can the reading of tire pressure be correct.

● **Do use tire pressure gauge.** since to judge the tire pressure by experience may lead to error. Although the variation of tire pressure may be tiny, it will also reduce the driving comfort and operating stability.

● **After driving, don't deflate the tire or reduce the tire pressure randomly.** The tire pressure after driving is always high, which is normal.

● **Make sure the valve cork is installed.** Without valve cork, dust or moisture will enter the valve core, and result in leakage. If the valve cork is lost, it is necessary to install a new one.

If damages like cut, rupture, crack which is so deep that cord fabric is exposed, and bulging occur to the tire, which indicates the inner damage of tire, it is necessary to replace the tire.

If tire leakage is frequently experienced or the size and location of cut and other damages are not proper for correct repair, then it is necessary to replace the tire. If you're not sure, contact the Lifan service station.

If leakage occurs in driving, don't drive any more, because just a little more driving will cause unrepairable damages.

If any tire serves more than 6 years, although no obvious damage is seen, it is necessary to be checked by professional technicians.

Although the tire is unused or seldom used, the aging will lead to quality decline.

These are suitable to spare tires as well.

Replacement of Tires

In case of replacing the tire, use a tire of the same specification and model with the replaced one and whose carrying capacity is equal to or larger than that of a common one.

Use of a tire of any other model will cause a serious impact to the vehicle driving and riding, calibration of the speedometer/odometer, ground clearance and the space between the vehicle body and the tire or the tire chain.

Warning

Follow the instructions below; otherwise a serious injury or even death will be caused.

- Radial tire, bias belted tire and diagonal-ply tire can not be mixed in a vehicle; otherwise a typical operation danger will be resulted in and then cause the vehicle to lose control.
- Do not use any tire with a size not recommended by Lifan; otherwise a typical operation danger will be resulted in and then cause the vehicle to lose control.

No using any old tire on LF620.

It is very dangerous to use tires without clear identification.

You are advised to replace the four tires at the same time, or two front tires or two rear ones at least.

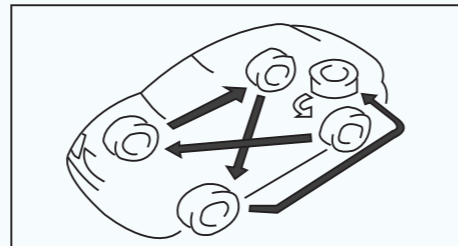
Refer to “If the Tire Leaks” in Chapter 4 for steps of tire replacement.

Keep the wheels balanced when replacing tires.

Unbalanced wheels will effect the vehicle operation and the service life of the tires. The wheels may loose balance in case of a normal use. Therefore, carry out a regular check-up to keep them balanced.

The air valves must be replaced with new ones in case of a tire replacement.

Exchange tires



You are recommended to exchange the tires after each mileage of 10,000km so as to maintain the same wear of the tires and extend their service life. However, the proper time for that should be determined according to the habit of the driver and also the road conditions.

Refer to “If the Tire Leaks” in Chapter 4 for steps of tire replacement.

Check if there is uneven wear and damage on the tires when exchanging them. The tire will be abnormally worn due to the incorrect tire pressure, improper wheel alignment and unbalanced wheel or frequent braking.

Install tire chain

Selection of tire chain

Use the tire chain of correct size.

The use rules of tire chain will change according to different places or roads, therefore, make sure the local rules before installing the tire chain.

Installation of tire chain

Try to install the tire chain at the front tires as tight as possible. Don't use tire chains at rear tires. After driving for 0.5~1.0km, tighten the tire chain again.

When installing the tire chain to the tire, be careful to abide by the guidance of the tire chain manufacturer.

When the wheel house is used, it may be scratched by the tire chain, so it is necessary to take off the wheel house before installing the tire chain.

Warning

- When using tire chain, the driving speed should not exceed 50km/h or the lower speed limit specified by the tire chain manufacturer.
- When using tire chain, be careful in driving to note the ridge, hole and sharp turn of the road, which may result in the jump of car.
- When using tire chain, avoid sudden turn or wheel lock brake, which may bring about bad effect to the operation of the car.
- When the car is installed with tire chain, the driver should be careful to decelerate before making a turn, for avoiding losing the control over the car, or accident will occur.

Replace wheel

When to replace the wheel

If there are damages like twist, crazing or severe corrosion in the wheel, it is necessary to make a replacement.

If don't replace the damaged wheel, then the tire may separate from the wheel or it will make the car lose control.

Selection of wheel

In case of replacing the wheel, be sure to use a wheel of the same specification and model with the replaced one.

The Lifan service station can carry out correct wheel replacement.

Wheels of different sizes or types will bring about bad effect to the control, service life of wheel and bearing, cooling of brake, calibration of the speedometer/odometer, brake performance, headlight aiming, height of bumper, car height above the ground and the space between the tire or tire chain and the vehicle body and chassis.

Don't use old wheels for replacement, because these wheels may be treated or serve a long mileage, and may go wrong without any warning. Meanwhile, the twisted wheels having undergone alignment always have structural damages, so don't use them either. Don't use the inner tube specially designed for tires without inner tube inside a flat tire.

Warning

Since wheels of different sizes will cause typical operation danger which in turn makes the car lose control, therefore, do not use any wheel with a size not recommended by the manufacturer. Otherwise, accident will occur.

Notes for aluminum alloy wheel

- The car installed with aluminum wheels, after the initial 1600km, it is necessary to check whether the nut is screwed.
- In case of the exchange, repair or replacement of tires, check whether the nut is screwed after driving for 1600km.
- When using the tire chain, be careful not to damage the aluminum alloy wheel.
- Only use the wheel nut and wrench specially designed for aluminum wheel.
- When using the tire chain to adjust the wheel balance, only use balancer or tools equal to it and plastic hammer or rubber hammer.
- Like all vehicles, it is necessary to check whether there is damage of aluminum wheels timely. If damages are found, it is necessary to replace it for a new one immediately.

Section 7-3

Maintenance DIY

Electrical Components

Check the battery.....165
 Check and replace fuse166

Check the battery

Notes

Warning

Notes of battery:

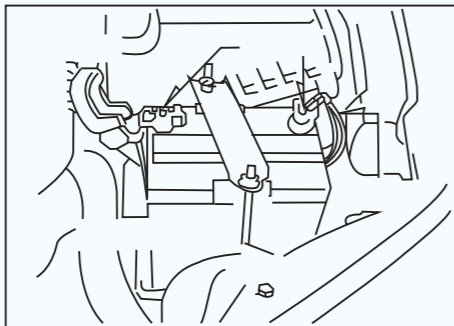
Overcharge of battery will produce flammable and volatile oxygen and hydrogen.

●When using tools around battery, sparks are to be prevented.

●Don't light a cigarette or fire around battery.

●Don't let children approach to battery.

Check the external part of battery



Check whether there is any corrosion or loose joint, crazing or loose hold-down of battery.

a. If the battery joint has been corroded, it is necessary to clean it with the mixture of warm water and saleratus. Lubricate the outside of joint with grease to prevent further corrosion.

b. If the connection of joints is loosened, screw the nut.

c. Screw the hold-down tight enough to fix the battery. Over screwing it will damage the battery box.

Note

●Before carrying out the maintenance, it is necessary to make sure that the engine and all auxiliary equipment have been shut down.

●To check the battery, it is necessary to take off the ground cable connected to the negative pole (“ - ” marking) first and install it last.

●Be careful, do not cause short circuit when using tools.

●To clean the battery, be careful not to let the washing liquid enter the battery case.

Check and replace fuse

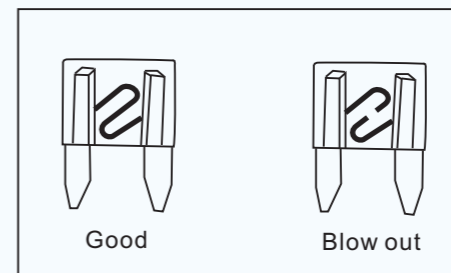
Check the inner state of battery

The inner state of battery may be checked as per the guidance on the battery case and the state indicator of battery.

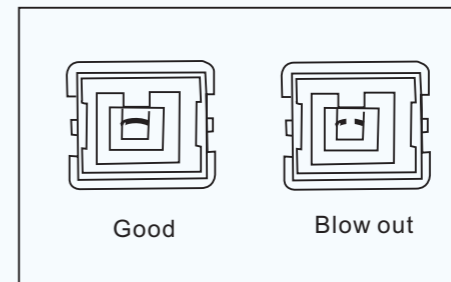
Green: good

White: charge required

Red: insufficient electrolyte, battery change required



Type A



Type B

If the headlight or other electrical components don't work, it is necessary to check the fuse. If the fuse has been blown, replace it for a new one.

For the position of fuse, refer to the “position of fuse” of Section 7-1.

Shut down the ignition switch and corresponding components, and vertically pull out the possible blown fuse for check.

Find out which fuse is in trouble. The circuit name for each fuse is identified on the cover of the fuse box. See Chapter 8 for the control function of each circuit.

Pull out type A fuse with a picker. Refer to No. 19 in the figure “Engine compartment” in Chapter 8 for the position of the picker.

If it is impossible to confirm whether the fuse has been burned or not, replace the fuses possible in trouble.

Install new fuse for the jacket if the old fuse has been burned.

Install the fuse with the amperage specified on the cover of the fuse box.

If the specified fuse is not available, the fuse with relatively low amperage should be adopted. However, the fuse with lower amperage than the specified amperage may be burned again, which is not an essential problem. Renew correct fuse as soon as possible, and

place the temporary fuse back to the original jacket.

Prepare a set of spare fuse in your car for emergent application.

The electrical system may have trouble if the renewed fuse is burned immediately. Then, go to Lifan service station for maintenance.

Warning

Using the fuse with overhigh amperage or making any other subject as the fuse is forbidden. Otherwise, serious damage or fire may occur.

Chapter 8

Component Specification

Maintenance Specification	169
Fuse and Relay	170

Maintenance Specification

Type and Amount for Fluid Filled

S/N	Item	Amount		Specification & Type
		LF7162B and above	LF7162C and below	
1	Braking fluid	1. 2L		DOT4 braking fluid
2	Coolant	8. 5L		Glycol, freezing point based on temperature
3	Engine oil	4L	3. 5L	Four-season oil W/30 ? SG level (select appropriate oil No. in different areas).
4	Transmission oil	2. 66L	2. 1L	SAE 85W/90 API level, GL-4
5	Steering fluid	About 1.2L		ESSO ATF.D
6	Fuel	About 58L		93# (RON) or above Gasoline without lead
7	A/C refrigerant	About 630g		R134a

Dimension of tire

195 / 60R15 88H

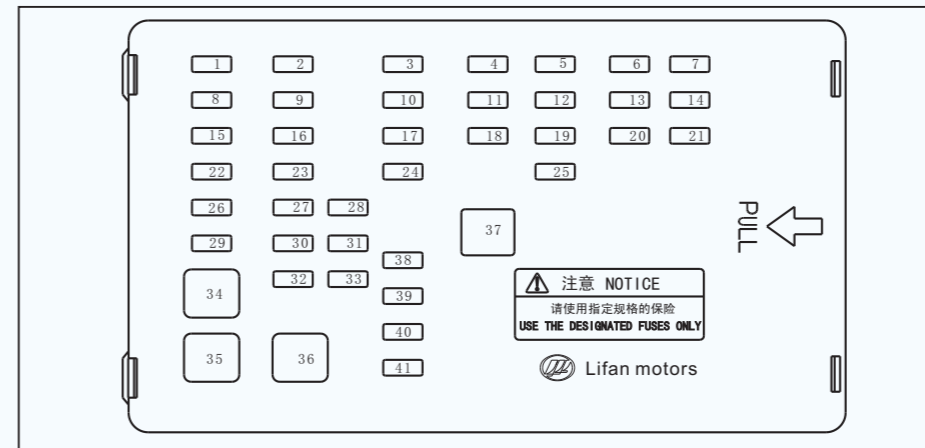
Pressure of the tire Kpa (kg/cm)

Front/rear 250(2. 3)/240 (2.4)

Wheel nut torque N · m (kgf · m)

120 (12)

Fuse and Relay



Left Junction Box of Dash Board (Lower Side)

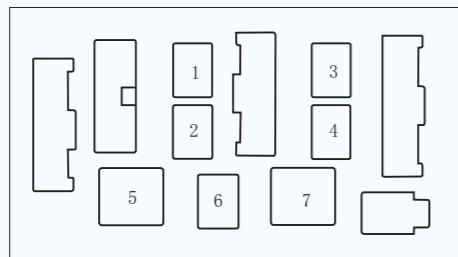
Fuse

- 1. BCM Central Lock Power Supply
- 2. BCM steering light/warning lamp

- 3. Fuel pump
- 4. Wiper
- 5. Cigarette lighter
- 6. empty
- 7. ABS control power supply
- 8. BCM common power supply
- 9. Rear fog light

- 10. Audio-visual system working power
- 11. Electric horn
- 12. Power supply for switching on the audio-visual system
- 13. Reversing lamp
- 14. BCM ignition
- 15. Door/luggage boot lights
- 16. Small light
- 17. Empty
- 18. Exterior rearview mirror
- 19. A/C controller ignition
- 20. Braking lamp
- 21. Air bag control power
- 22. Roof light
- 23. Power supply for glass regulator
- 24. Empty
- 25. empty
- 26. Power supply for instrument cluster
- 27. Back up
- 28. Back up
- 29. Power supply for sun roof

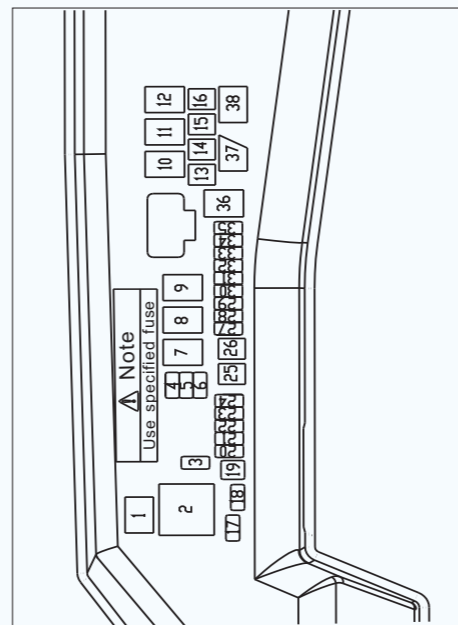
- 30. Back up
- 31. Back up
- 32. Back up
- 33. Back up
- 34. Ignition Am2
- 35. Ignition Am1
- 36. Rear defrosting
- 37. Picker
- 38. Empty
- 39. Instrument cluster ignition
- 40. Empty
- 41. Magnetic power supply for power generator/ power generator ECU control ignition coil/ cam sensor/ vehicle speed sensor



Junction Box for Instrument Panel (Upper Side)

Relay

- 1. Electric horn relay
- 2. Fuel pump relay
- 3. Rear fog light relay
- 4. Rear defroster relay
- 5. Empty
- 6. Empty
- 7. Accessory power supply relay



Engine compartment

Fuse

- 3. Back-up fuse
- 4. Back-up fuse
- 5. Back-up fuse
- 6. Back-up fuse
- 13. Blower
- 14. Accessory power supply
- 15. Power supply for driver's compartment
- 16. Empty
- 17. Back-up
- 18. Back-up
- 19. Picker
- 20. Empty
- 21. Empty
- 22. Empty
- 23. Empty
- 24. Empty
- 25. ABS controller
- 26. ABS controller
- 27. Main relay

- 28. Compressor
- 29. Electronic injection ECU
- 30. High speed fan
- 31. Low speed fan
- 32. Fan speed regulation/high speed/low speed/compressor
- 33. Low beam
- 34. Overtaking/high beam
- 35. Front fog light
- 36. Main Relay

Relay

- 1. Front fog light
- 2. Blower
- 7. High speed
- 8. Low speed
- 9. Speed regulation
- 10. Overtaking light
- 11. High beam

- 12. Low beam
- 37. Compressor
- 38. Main relay



LIFAN MOTORS

Chongqing Lifan Industry(group) Imp.&Exp.co.,Ltd.

Chongqing Lifan Passenger Vehicle Co.,Ltd.

Add:NO.60 Zhangjiawan,Shangqiao,Shapingba
District,Chongqing,China.

Website: www.lifan.com/car

E-mail: iecauto@lifan.com

June,2008 the first edition