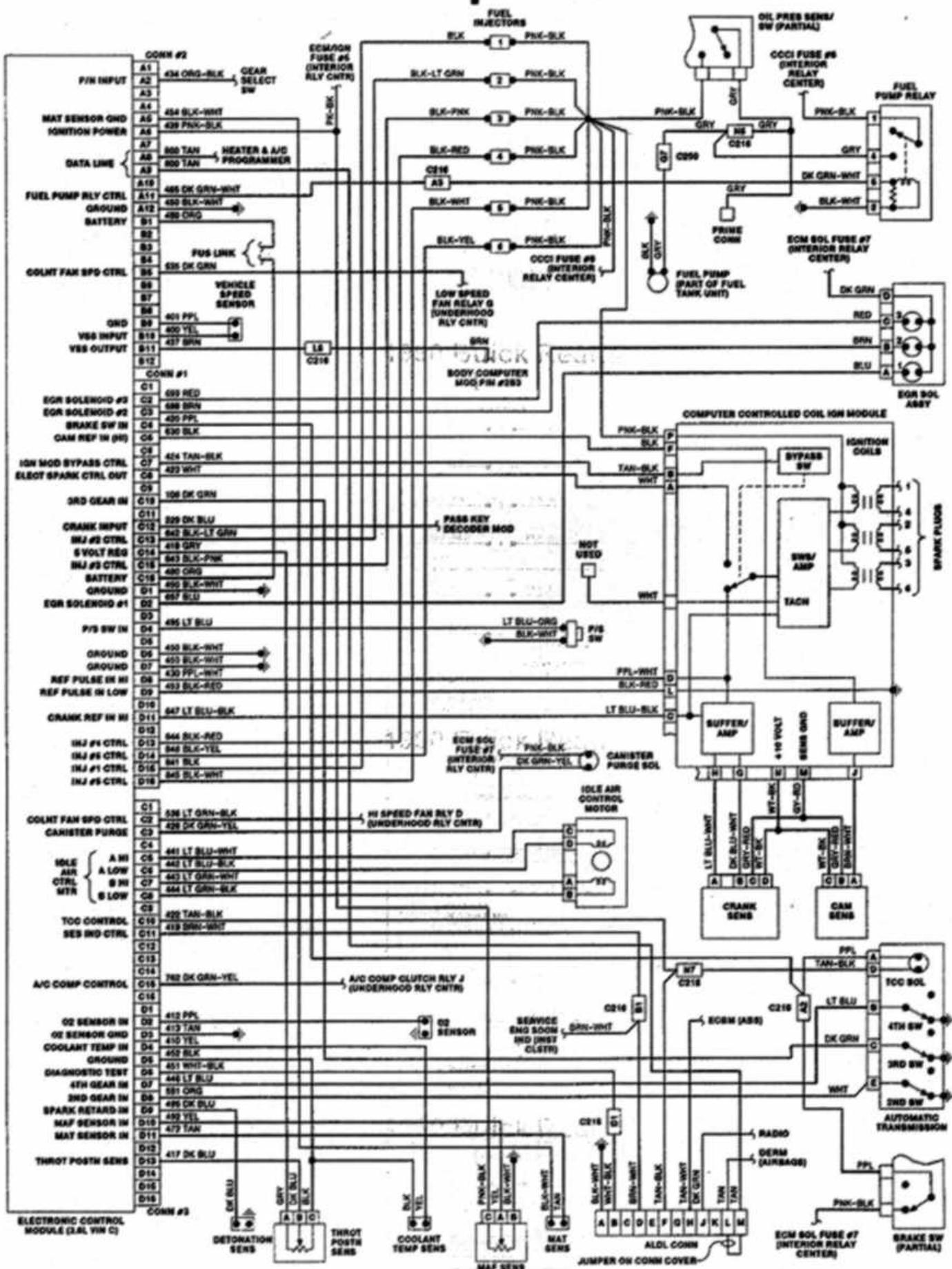


# 1990 Buick Reatta

10



Electronic Control Module (3.8L VIN C) (Grid 8-11)