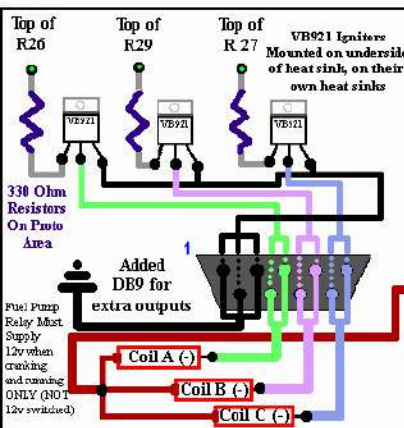
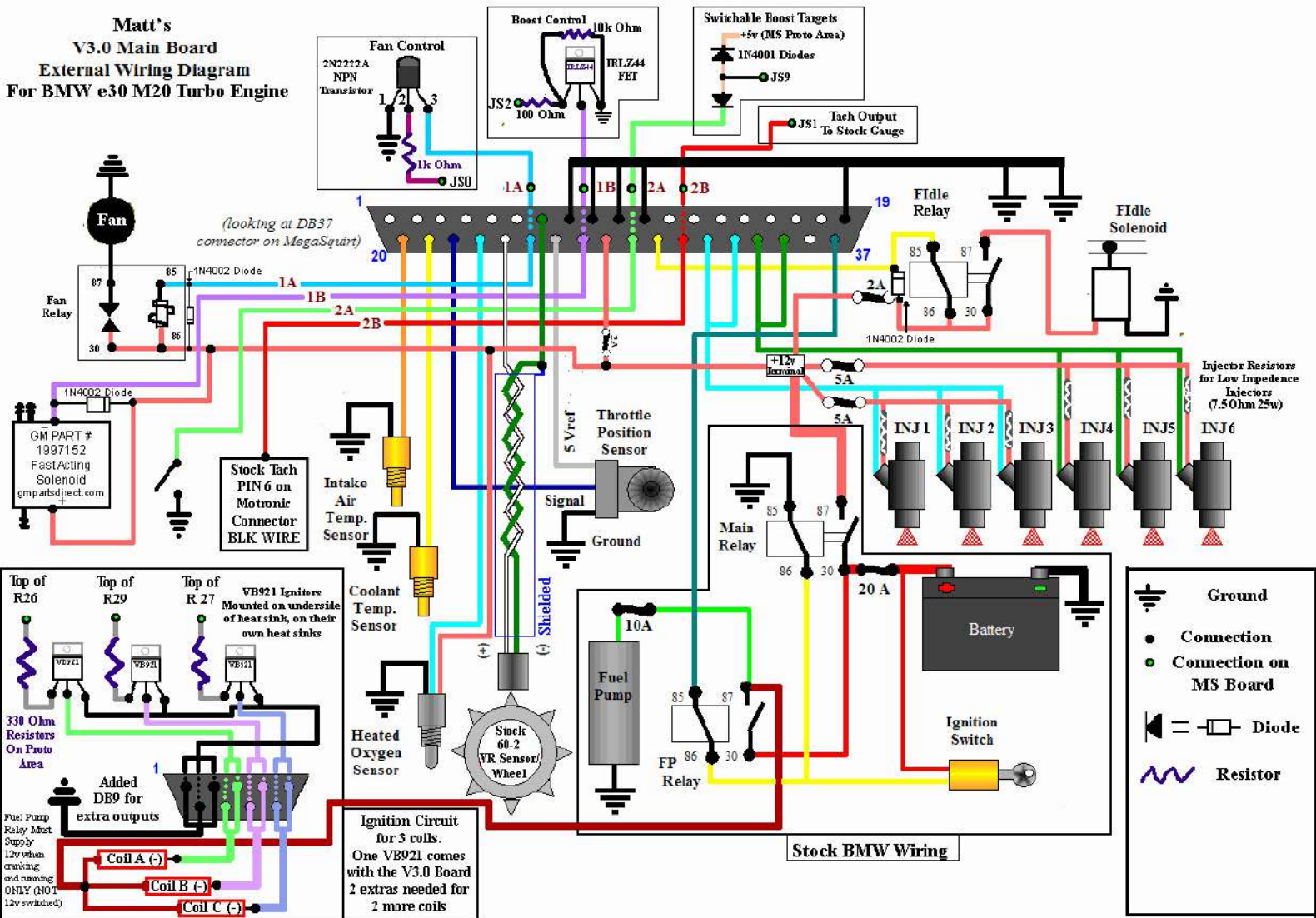


**Matt's  
V3.0 Main Board  
External Wiring Diagram  
For BMW e30 M20 Turbo Engine**



**Fuel Pump Relay:** Must Supply 12v when cranking and running ONLY (NOT 12v switched)