

BMW E39 Wiring Diagrams

Picture 1. Information for Wiring Diagrams

Picture 2. Start, Charging, Engine Cooling Fan, Horn & Heater Blower

Picture 3. Headlight washer & heated washer jets, front wash/wipe, cigar lighter & charging Socket

Picture 4: Rear washer/wiper, Audio System, Headlight Washer & Intensive Washing System

Picture 5. Heated Rear Window, Electric Mirrors, Electric Windows

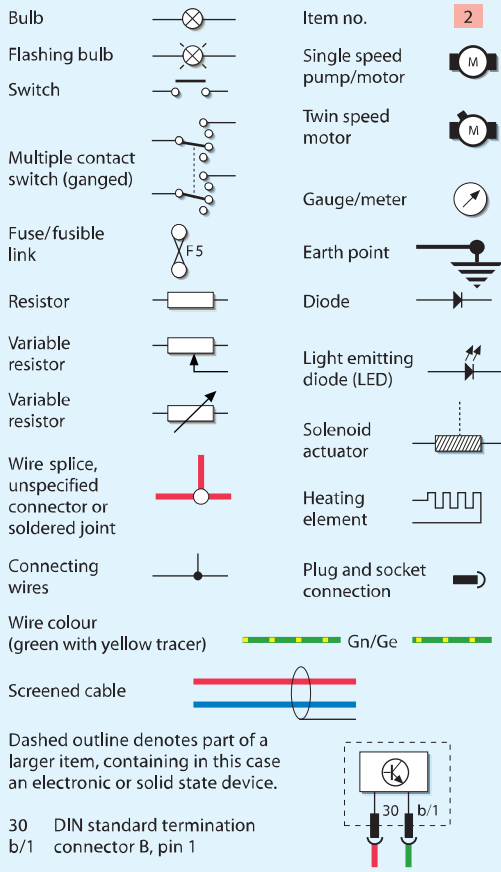
Picture 6. Central Locking

Picture 7. Stop Lights, Headlights, Side, Tail & No Plate Lights, Reversing Lights.

Picture 8. Direction Indicators & Hazard Warning Lights, Foglights

Picture 9. Headlight levelling, Interior Lighting

Key to symbols

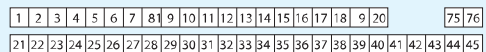


Typical passenger compartment fusebox

| Fuse | Rating | Circuit protected |
|------|--------|--|
| F 1 | 30A | Windscreen wiper |
| F 2 | 30A | Windscreen washer, headlight washer |
| F 3 | 15A | Horn |
| F 4 | 20A | Passenger compartment lighting, luggage compartment lighting, windscreen washer |
| F 5 | 20A | Sunroof |
| F 6 | 30A | Electric windows, central locking, electric mirrors |
| F 7 | 20A | Engine cooling fan |
| F 8 | 25A | Automatic stability control |
| F 9 | 15A | Air conditioning, heated washer jets |
| F 10 | 30A | Passenger seat adjustment |
| F 11 | 7.5A | Servotronic |
| F 12 | 5A | Immobilizer |
| F 13 | 30A | Steering column adjustment, driver's seat adjustment |
| F 14 | 5A | Engine control |
| F 15 | 7.5A | Engine control, diagnostic connector |
| F 16 | 5A | Lighting module |
| F 17 | 10A | Fuel pump, ABS, automatic stability control |
| F 18 | 5A | Instrument cluster |
| F 19 | - | Not fitted |
| F 20 | 7.5A | Heated rear window, heater, air conditioning, engine cooling fan, tyre pressure control |
| F 21 | 5A | Anti-glare interior mirror, driver's seat adjustment, garage door opener, thermal sensor, parking distance control |
| F 22 | 30A | Engine cooling fan |
| F 23 | 10A | Heater, independent heater |
| F 24 | 5A | Instrument cluster, shift gate illumination, tyre pressure control |
| F 25 | 7.5A | Radio, multi-information display |
| F 26 | 5A | Windscreen wiper |
| F 27 | 30A | Central locking, electric windows |
| F 28 | 30A | Air conditioning, heater blower |
| F 29 | 30A | Electric mirrors, electric windows, central locking |
| F 30 | 25A | ABS |
| F 31 | 10A | ABS automatic stability control, fuel pump, |
| F 32 | 15A | Heated seats |
| F 33 | - | Not fitted |
| F 34 | 10A | Heated steering wheel |
| F 35 | - | Not fitted |
| F 36 | - | Not fitted |
| F 37 | 5A | Immobilizer |
| F 38 | 5A | Horn, shift gate illumination, diagnostic connector |
| F 39 | 7.5A | Charging socket, courtesy mirror illumination |
| F 40 | 5A | Airbag, instrument cluster |
| F 41 | 5A | Stop light, lighting module, speed control |
| F 42 | 5A | Airbag |
| F 43 | 5A | Radio, telephone, on board monitor |
| F 44 | 5A | Multifunction steering wheel, multi-information display, radio, telephone |
| F 45 | 7.5A | Roller sun blind |
| F 75 | 50A | Engine cooling fan |
| F 76 | 40A | Heater blower |

Typical luggage compartment fusebox

| Fuse | Rating | Circuit protected |
|------|--------|--|
| F 46 | 15A | Independent ventilation/heater |
| F 47 | 15A | Independent heater |
| F 48 | 5A | Alarm |
| F 49 | 30A | Air suspension |
| F 50 | 7.5A | Air suspension |
| F 51 | - | Not fitted |
| F 52 | 30A | Cigar lighter |
| F 53 | 7.5A | Central locking |
| F 54 | 15A | Fuel pump |
| F 55 | 20A | Rear wash/wipe |
| F 56 | 30A | Rear wash/wipe, CD changer, navigation system, on-board monitor, radio |
| F 57 | 10A | Telephone |
| F 58 | 10A | Navigation system, on-board monitor, radio, telephone |
| F 59 | - | Not fitted |
| F 60 | 15A | Electronic damper control |
| F 61 | - | Not fitted |
| F 62 | - | Not fitted |
| F 63 | - | Not fitted |
| F 64 | - | Not fitted |
| F 65 | - | Not fitted |
| F 66 | 40A | Heated rear window |



Wire colours

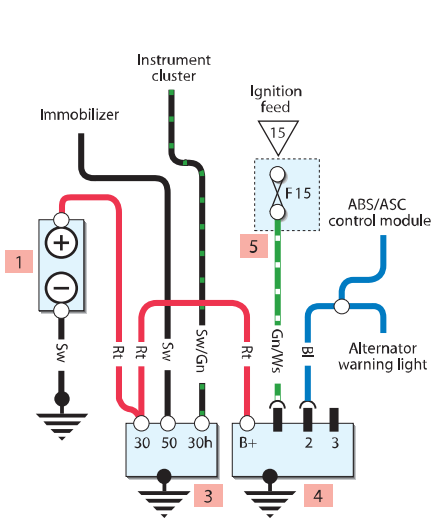
| | | | |
|----|--------|----|--------|
| Bl | Blue | Vi | Violet |
| Br | Brown | Ws | White |
| Ge | Yellow | Or | Orange |
| Gr | Grey | Rt | Red |
| Gn | Green | Sw | Black |

Key to items

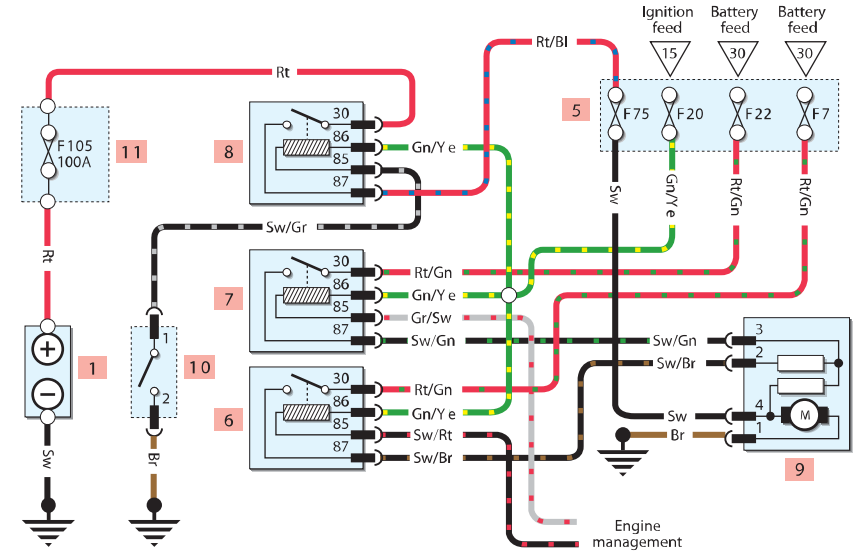
- | | | | |
|----|----------------------------------|----|-----------------------------|
| 1 | Battery | 11 | Fusible link |
| 2 | Ignition switch | 12 | Horn relay |
| 3 | Starter motor | 13 | LH horn |
| 4 | Alternator | 14 | RH horn |
| 5 | Passenger compartment fusebox | 15 | Horn switch |
| 6 | Engine cooling fan stage 1 relay | 16 | Steering wheel clock spring |
| 7 | Engine cooling fan stage 2 relay | 17 | Heater blower relay |
| 8 | Engine cooling fan stage 3 relay | 18 | Output amplifier |
| 9 | Engine cooling fan motor | 19 | Heater blower motor |
| 10 | Dual temperature switch | | |

H33054

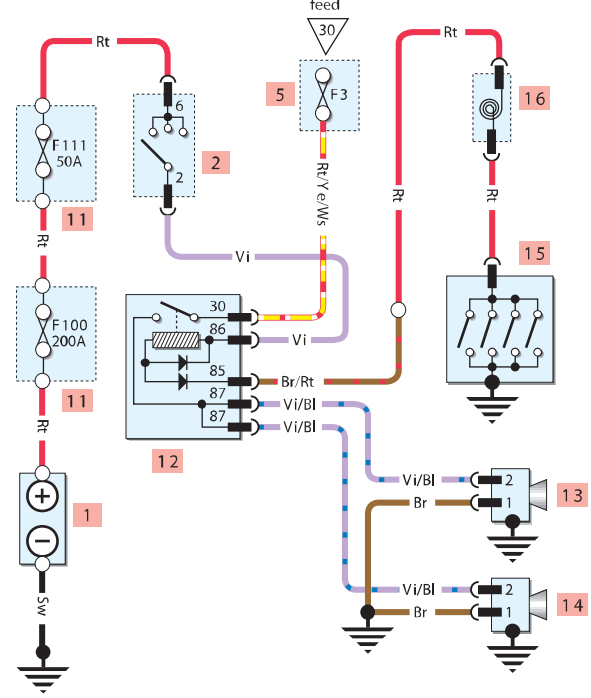
Typical starting and charging



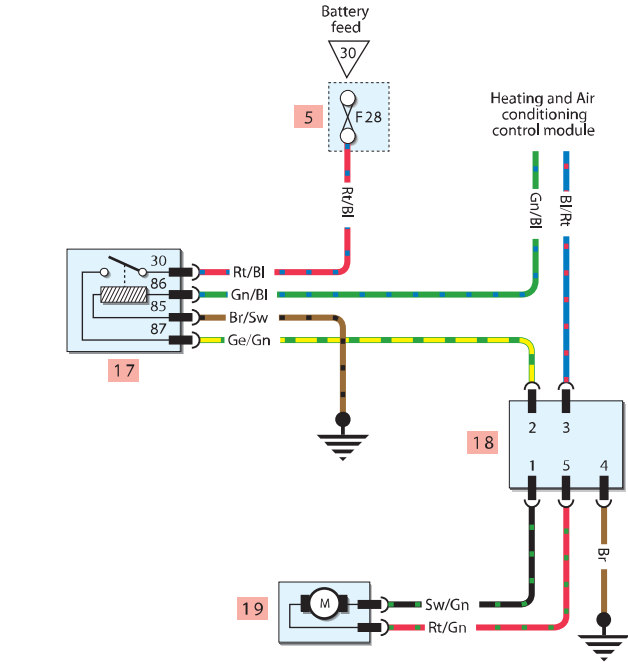
Typical engine cooling fan



Typical horn



Typical heater blower



Wire colours

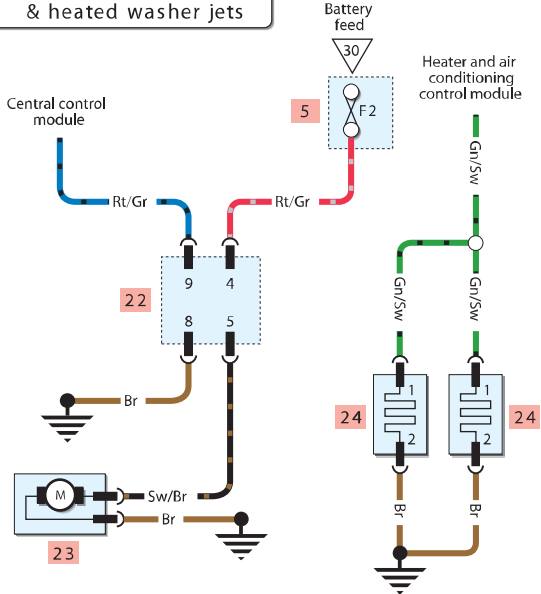
| | | | |
|----|--------|----|--------|
| Bl | Blue | Vi | Violet |
| Br | Brown | Ws | White |
| Ge | Yellow | Or | Orange |
| Gr | Grey | Rt | Red |
| Gn | Green | Sw | Black |

Key to items

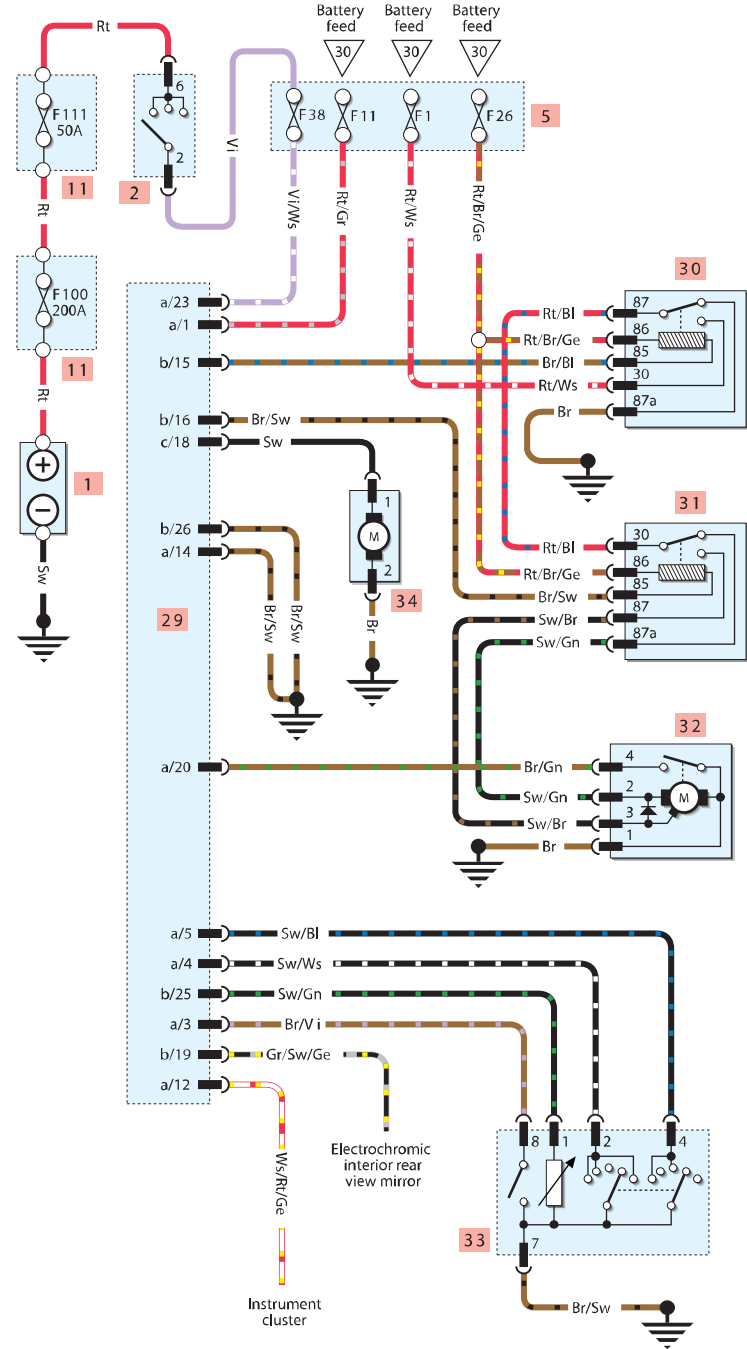
- | | | | |
|----|-------------------------------|----|------------------------|
| 1 | Battery | 28 | Cigar lighter relay |
| 2 | Ignition switch | 29 | General control module |
| 5 | Passenger compartment fusebox | 30 | Wiper relay 1 |
| 11 | Fusible link | 31 | Wiper relay 2 |
| 22 | Headlight washer module | 32 | Front wiper motor |
| 23 | Headlight washer pump | 33 | Wash/wipe switch |
| 24 | Windscreen washer jet heater | 34 | Washer pump |
| 25 | Luggage compartment fusebox | | |
| 26 | Front cigar lighter | | |
| 27 | Charging socket | | |

H33055

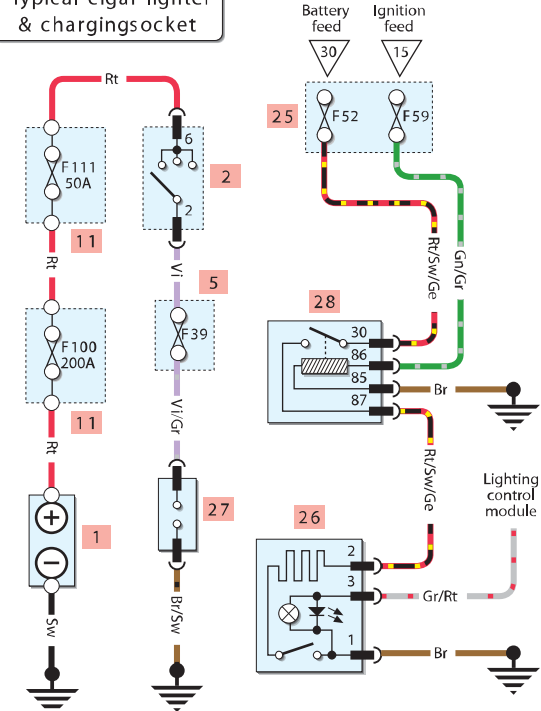
Typical headlight washer & heated washer jets



Typical front wash/wipe



Typical cigar lighter & charging socket



Wire colours

| | | | |
|----|--------|----|--------|
| Bl | Blue | Vi | Violet |
| Br | Brown | Ws | White |
| Ge | Yellow | Or | Orange |
| Gr | Grey | Rt | Red |
| Gn | Green | Sw | Black |

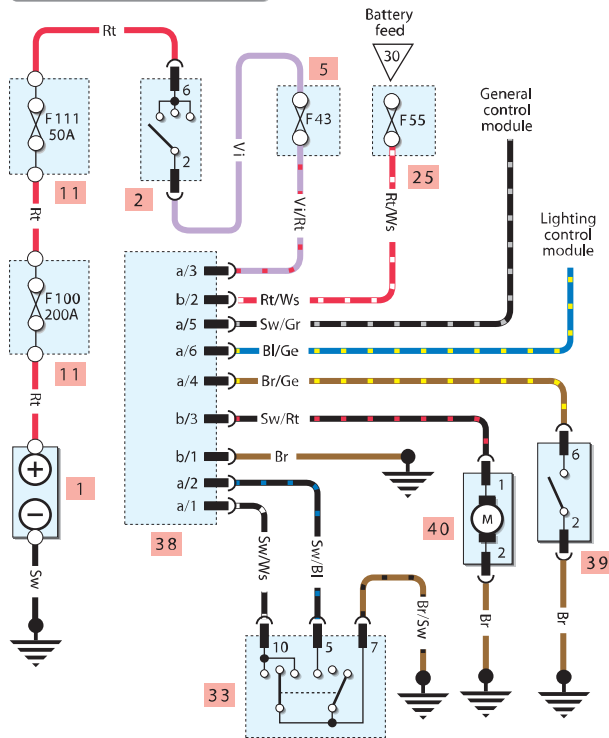
Key to items

| | | | | | |
|----|-------------------------------|----|-----------------------|----|------------------|
| 1 | Battery | 42 | Headlight washer pump | 52 | RH front speaker |
| 2 | Ignition switch | 43 | Intensive washer pump | 53 | RH rear speaker |
| 5 | Passenger compartment fusebox | 44 | Unload relay | | |
| 11 | Fusible link | 45 | Antenna module | | |
| 25 | Luggage compartment fusebox | 46 | CD changer | | |
| 33 | Wash/wipe switch | 47 | Audio unit | | |
| 38 | Rear wash/wipe control unit | 48 | LH tweeter | | |
| 39 | Tailgate/boot open switch | 49 | LH front speaker | | |
| 40 | Rear washer pump | 50 | LH rear speaker | | |
| 41 | Headlight washer module | 51 | RH front tweeter | | |

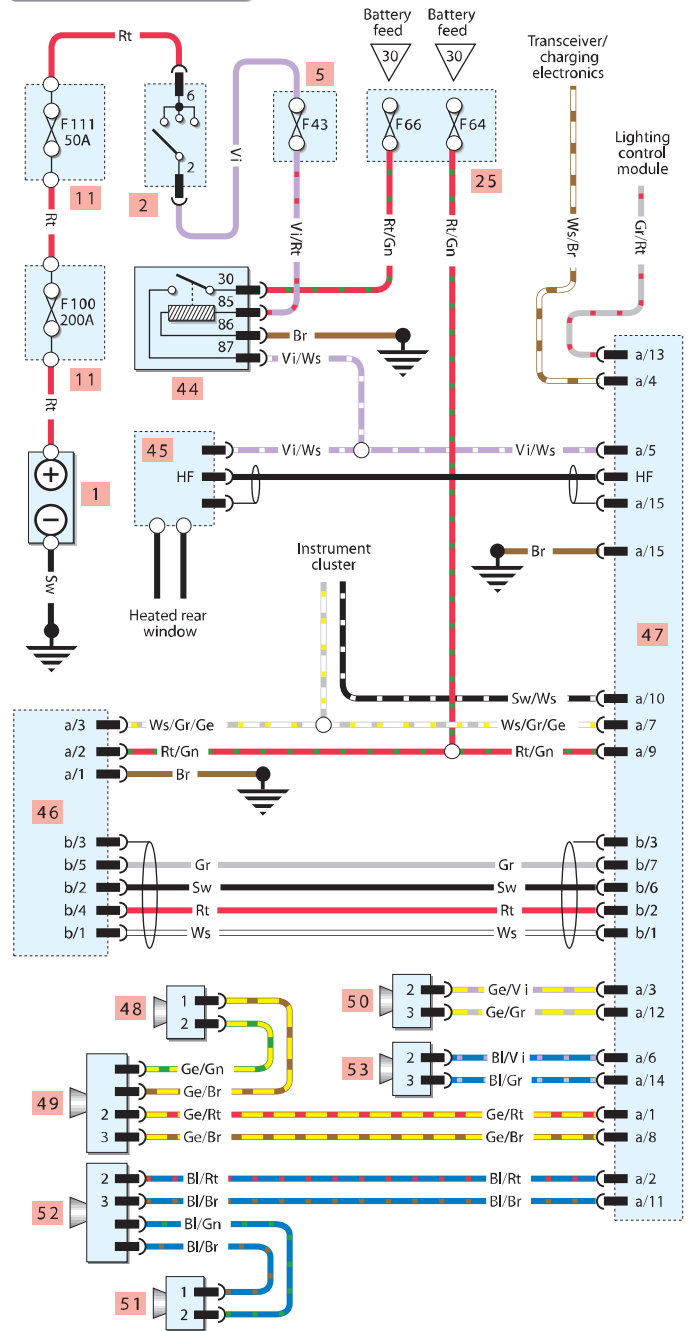
Diagram 4

H33056

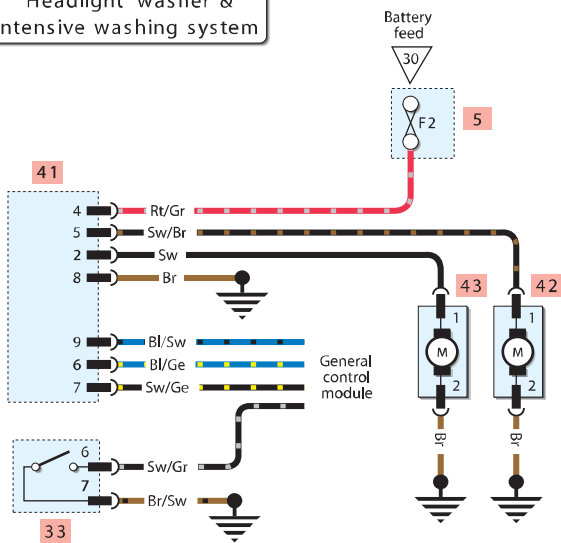
Typical rear wash/wipe



Typical audio system



Headlight washer & intensive washing system



Wire colours

| | | | |
|----|--------|----|--------|
| Bl | Blue | Vi | Violet |
| Br | Brown | Ws | White |
| Ge | Yellow | Or | Orange |
| Gr | Grey | Rt | Red |
| Gn | Green | Sw | Black |

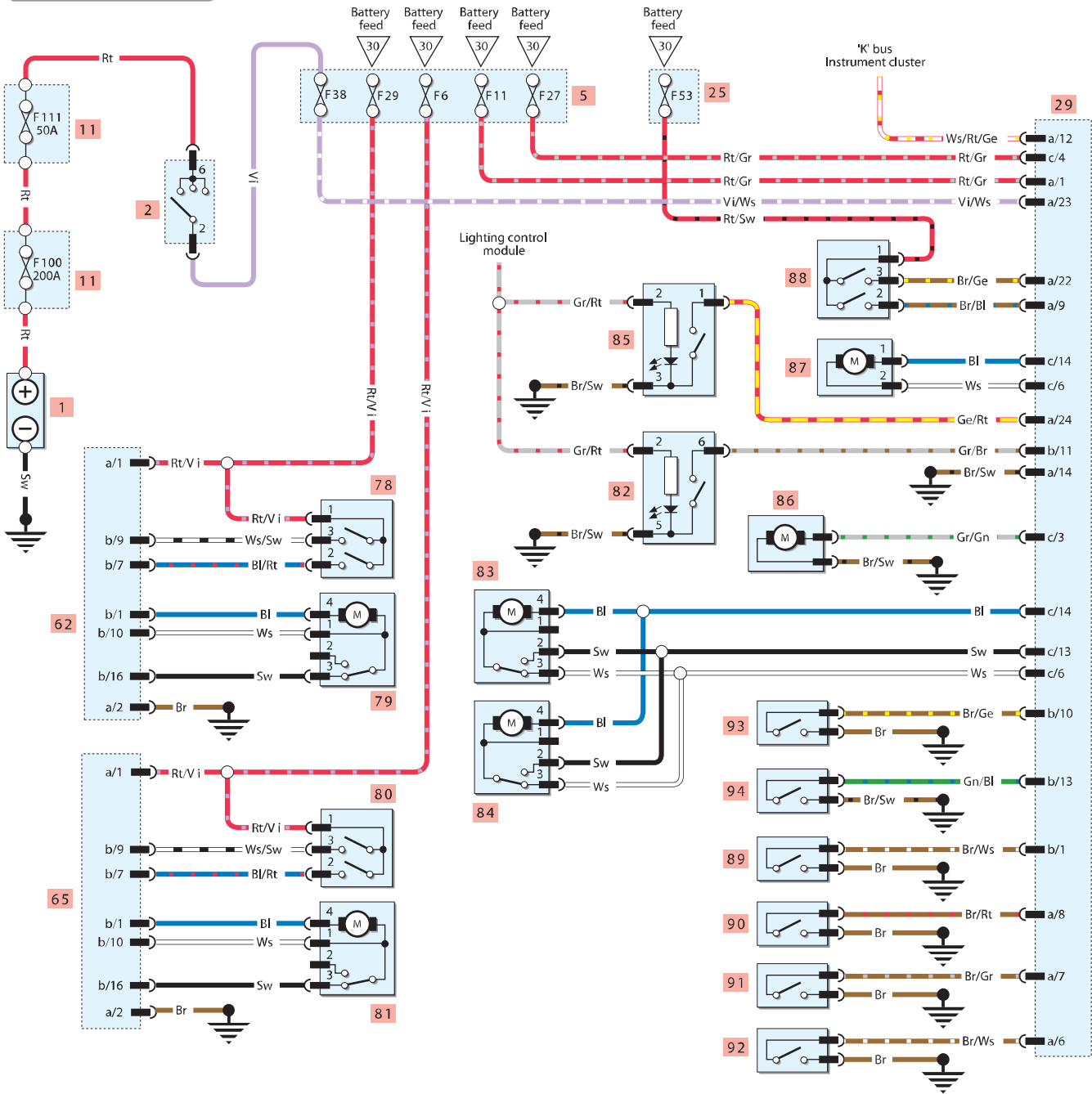
Key to items

| | | | | | |
|----|-------------------------------|----|-------------------------------|----|---------------------------------|
| 1 | Battery | 80 | Passenger's door lock switch | 90 | Passenger's door contact switch |
| 2 | Ignition switch | 81 | Passenger's door lock motor | 91 | LH rear door contact switch |
| 5 | Passenger compartment fusebox | 82 | Tailgate/boot release switch | 92 | RH rear door contact switch |
| 11 | Fusible link | 83 | LH rear door lock | 93 | Tailgate/boot unlocking switch |
| 25 | Luggage compartment fusebox | 84 | RH rear door lock | 94 | Inertia switch |
| 29 | General control module | 85 | Central locking master switch | | |
| 62 | Driver's door module | 86 | Tailgate/boot lock motor | | |
| 65 | Passenger's door module | 87 | Fuel filler flap lock motor | | |
| 78 | Driver's door lock switch | 88 | Tailgate/boot lock switch | | |
| 79 | Driver's door lock motor | 89 | Driver's door contact switch | | |

Diagram 6

H33058

Typical central locking



Wire colours

| | | | |
|----|--------|----|--------|
| Bl | Blue | Vi | Violet |
| Br | Brown | Ws | White |
| Ge | Yellow | Or | Orange |
| Gr | Grey | Rt | Red |
| Gn | Green | Sw | Black |

Key to items

- 1 Battery
- 2 Ignition switch
- 5 Passenger compartment fusebox
- 11 Fusible link
- 96 Stop light switch
- 97 Lighting control module
- 98 LH stop light
- 99 RH stop light
- 100 High level stop light
- 101 LH reversing light

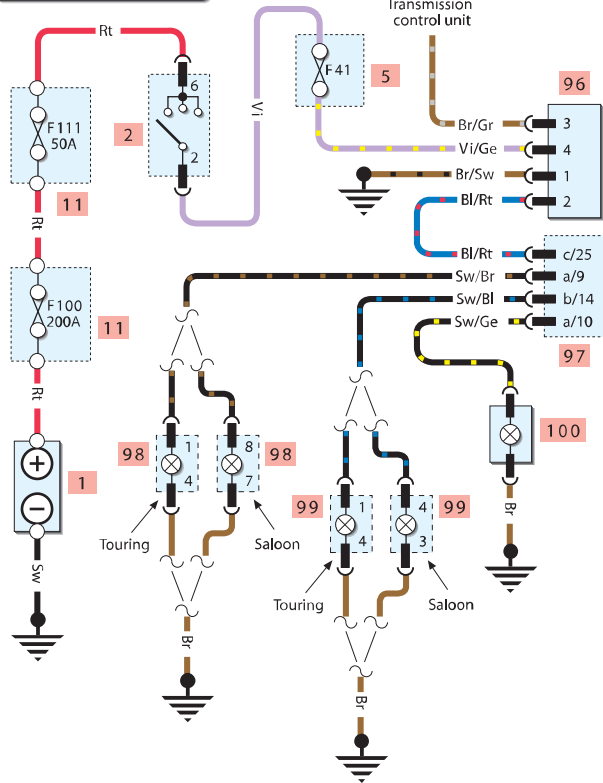
- 102 RH reversing light
- 103 Reversing light switch
- 104 Light switch
- a = side/headlights
- b = flasher/dip
- 105 RH headlight high beam
- 106 RH headlight low beam
- 107 RH parking light
- 108 LH headlight high beam
- 109 LH headlight high beam

- 110 LH parking light
- 111 RH number plate light
- 112 LH number plate light
- 113 LH tail light
- 114 LH tailgate tail light
- 115 RH tail light
- 116 RH tailgate tail light

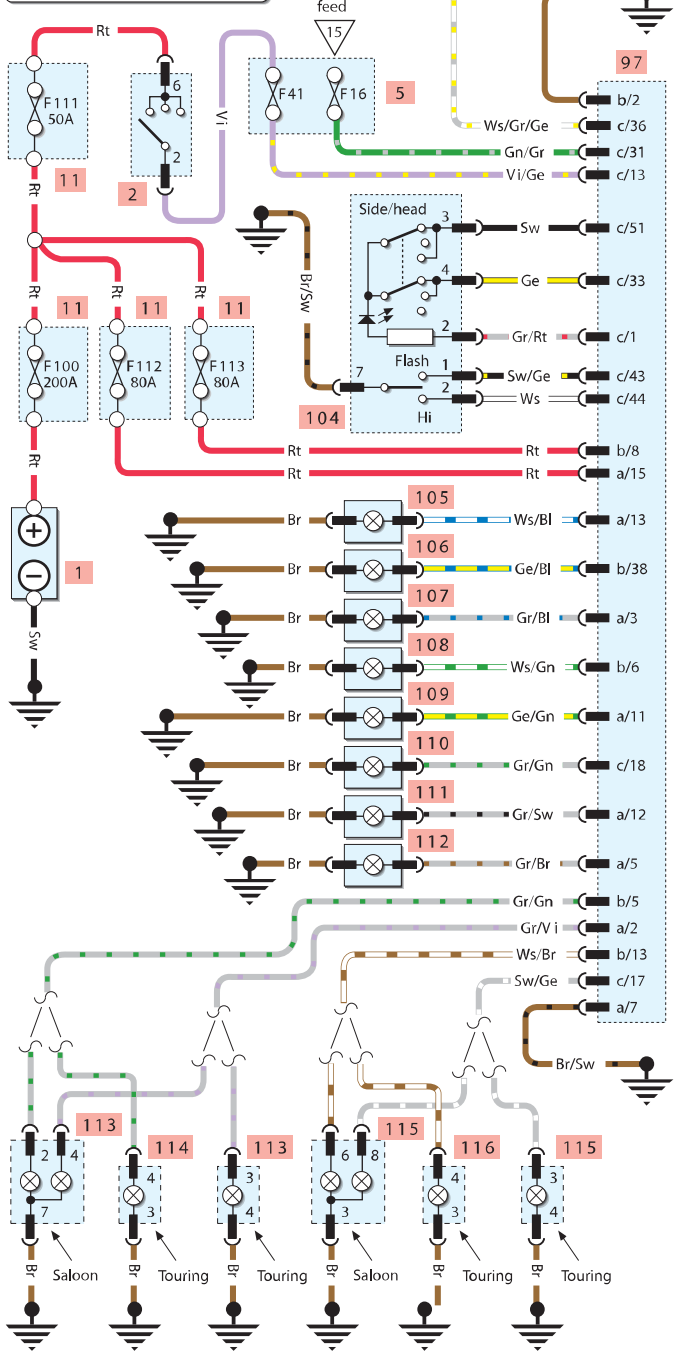
Diagram 7

H33059

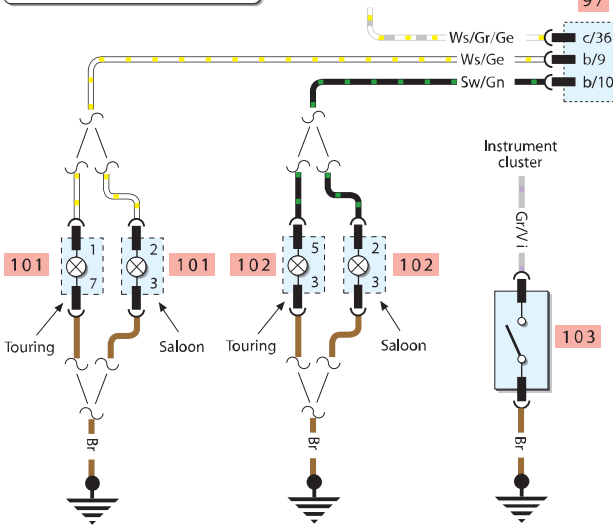
Typical stop lights



Typical headlights, side, tail & no plate lights



Typical reversing lights



Wire colours

| | | | |
|----|--------|----|--------|
| Bl | Blue | Vi | Violet |
| Br | Brown | Ws | White |
| Ge | Yellow | Or | Orange |
| Gr | Grey | Rt | Red |
| Gn | Green | Sw | Black |

Key to items

- 1 Battery
- 2 Ignition switch
- 5 Passenger compartment fusebox
- 11 Fusible link
- 97 Lighting control module
- 104 Light switch
- c = direction indicator switch
- 120 LH front direction indicator
- 121 LH direction indicator side repeater

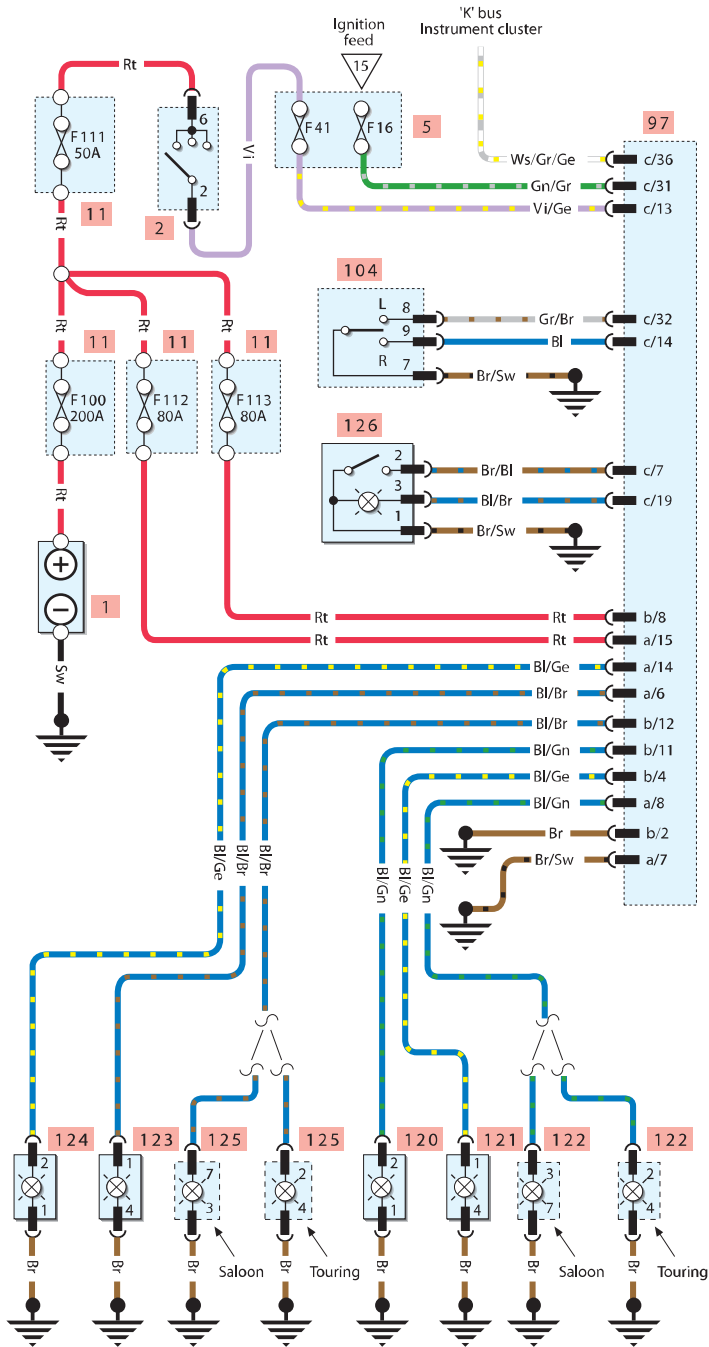
- 122 LH rear direction indicator
- 123 RH front direction indicator
- 124 RH direction indicator side repeater
- 125 RH rear direction indicator
- 126 Hazard warning switch
- 127 Foglight switch
- 128 LH front foglight
- 129 RH front foglight
- 130 LH rear foglight

- 131 LH tailgate foglight
- 132 RH rear foglight
- 133 RH tailgate foglight

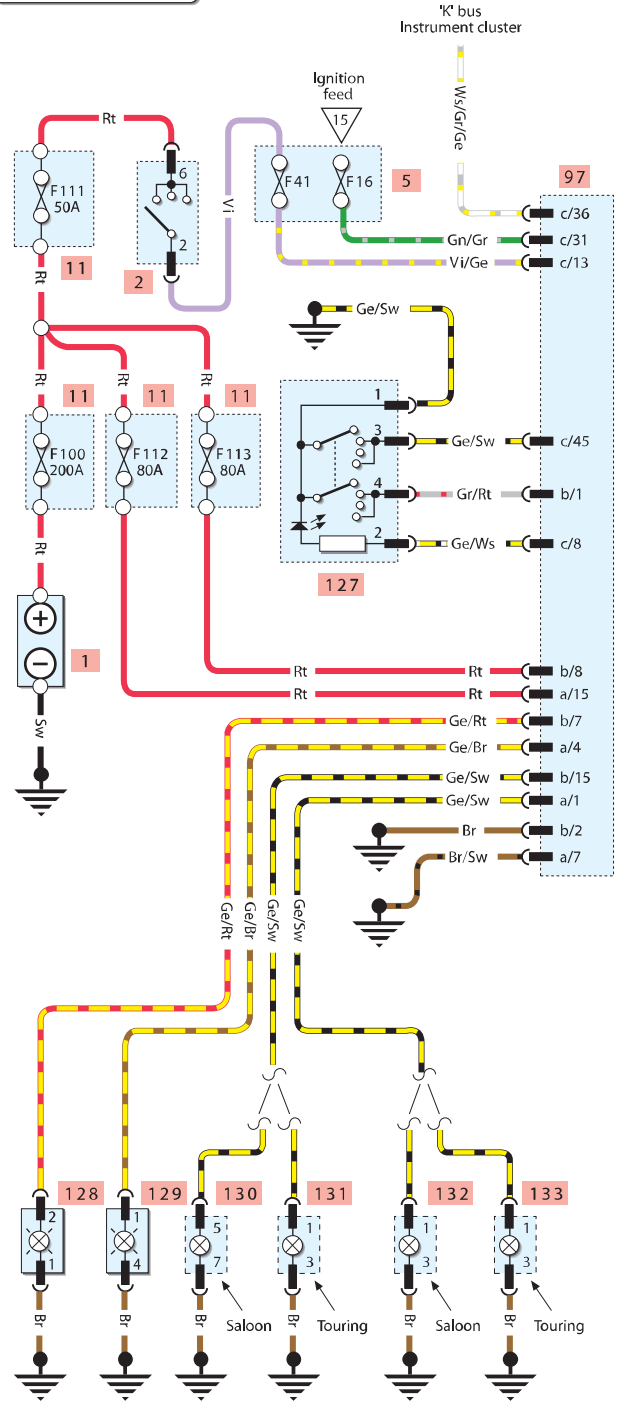
Diagram 8

H33060

Typical direction indicators & hazard warning lights



Typical foglights



Wire colours

| | | | |
|----|--------|----|--------|
| Bl | Blue | Vi | Violet |
| Br | Brown | Ws | White |
| Ge | Yellow | Or | Orange |
| Gr | Grey | Rt | Red |
| Gn | Green | Sw | Black |

Key to items

| | |
|----|---------------------------------|
| 1 | Battery |
| 2 | Ignition switch |
| 5 | Passenger compartment fusebox |
| 11 | Fusible link |
| 29 | General control module |
| 86 | Tailgate/boot lock motor |
| 89 | Driver's door contact switch |
| 90 | Passenger's door contact switch |
| 91 | LH rear door contact switch |
| 92 | RH rear door contact switch |

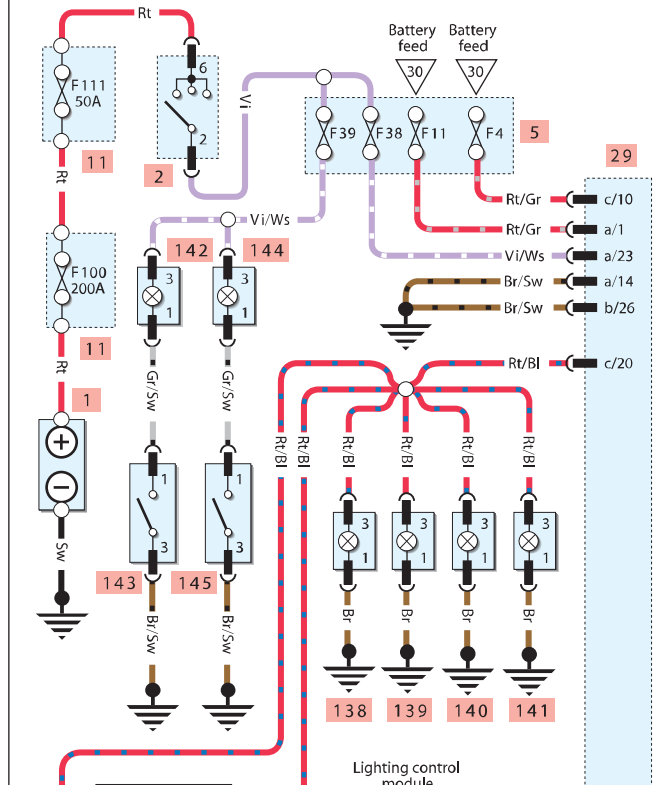
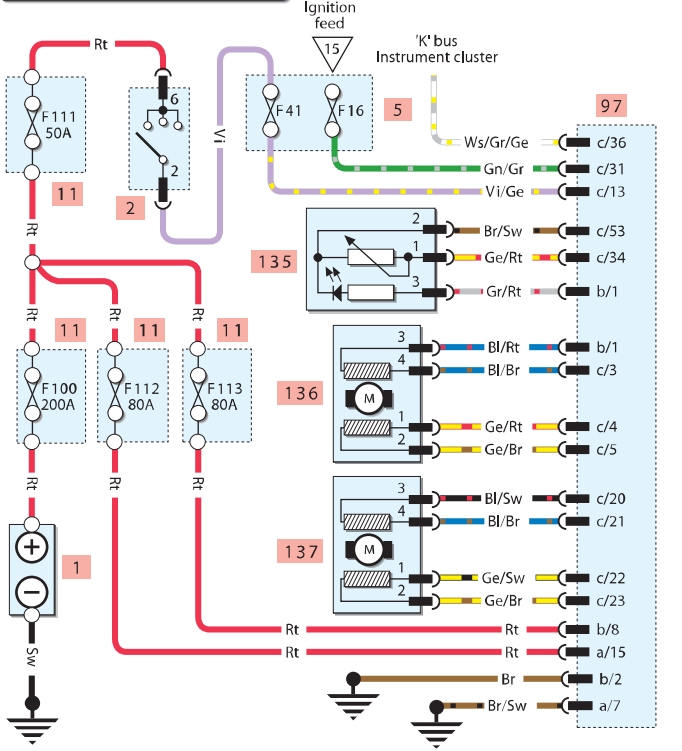
| | |
|-----|-------------------------------------|
| 97 | Lighting control module |
| 135 | Headlight levelling adjuster |
| 136 | LH headlight levelling actuator |
| 137 | RH headlight levelling actuator |
| 138 | Driver's door courtesy light |
| 139 | Passenger's door courtesy light |
| 140 | LH rear door courtesy light |
| 141 | RH rear door courtesy light |
| 142 | Driver's vanity mirror light |
| 143 | Driver's vanity mirror light switch |

| | |
|-----|--|
| 144 | Passenger's vanity mirror light |
| 145 | Passenger's vanity mirror light switch |
| 146 | Front interior light |
| 147 | Rear interior light (touring) |
| 148 | LH rear interior light (saloon) |
| 149 | RH rear interior light (saloon) |
| 150 | Luggage compartment light |
| 151 | Glove box light |
| 152 | Glove box light switch |

Diagram 9

H33061

Typical headlight levelling



Typical interior lighting

