

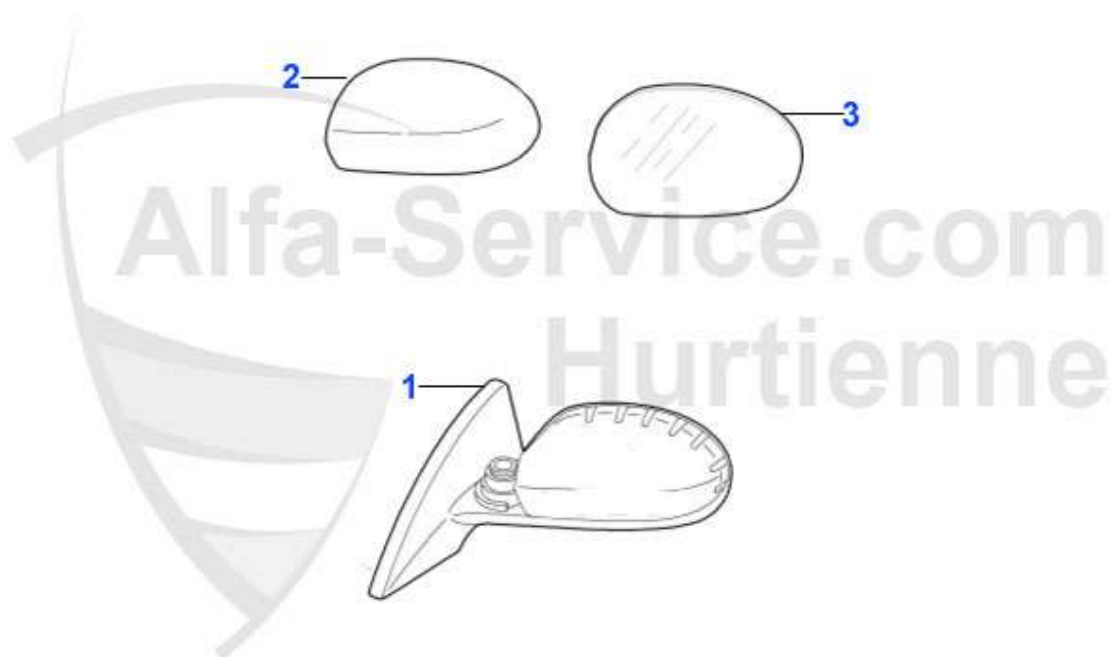
Alfa Romeo 159

table of contents

| | |
|---------------------------|----|
| 159 | 4 |
| BODY | 4 |
| MIRROR | 4 |
| LIGHTNING REAR | 5 |
| LIGHTNING FRONT | 6 |
| BODY PANELS | 7 |
| BUMPER/GRILLE/PANEL | 8 |
| GAS PRESSURE SPRING | 9 |
| ENGINE | 10 |
| FILTER | 10 |
| 1,8 MPI 07> | 10 |
| 1,9 JTD 16V 05> | 11 |
| 1,9 JTD 8V 05> | 12 |
| 1,9 JTS 05> | 13 |
| 2,2 JTS 16V 05> | 14 |
| 2,4 JTDM 20V 06> | 15 |
| 3,2 Q4 06> | 16 |
| ENGINE MOUNT | 17 |
| 1.8 TBi 16V | 17 |
| 1.9 JTDM 8/16V | 18 |
| 1.9 JTS 16V | 19 |
| 2.2 JTS 16V | 20 |
| 2.4 JTDM 20V | 21 |
| 3.2 JTS V6 24V | 22 |
| SENSORS | 23 |
| COOLING SYSTEM | 24 |
| TUBES | 24 |
| 1.8 MPI/TBI | 24 |
| 1.9 JTD | 25 |
| 1.9 JTS | 26 |
| 2.2 JTS | 27 |
| 2.4 JTD | 28 |
| VALVE GEAR | 29 |
| 3.2 JTS | 29 |
| CAMSHAFT | 29 |
| 2.2 JTS | 30 |
| CAMSHAFT | 30 |
| DRIVETRAIN | 31 |
| DRIVE SHAFT | 31 |
| 2.4 JTD | 31 |
| BRAKE | 32 |
| BRAKE DISKS | 32 |
| BRAKE PADS | 33 |
| CALIPER | 34 |
| HANDBRAKE CABLE | 35 |
| BRAKE HOSE FRONT | 36 |
| BRAKE HOSE REAR | 37 |

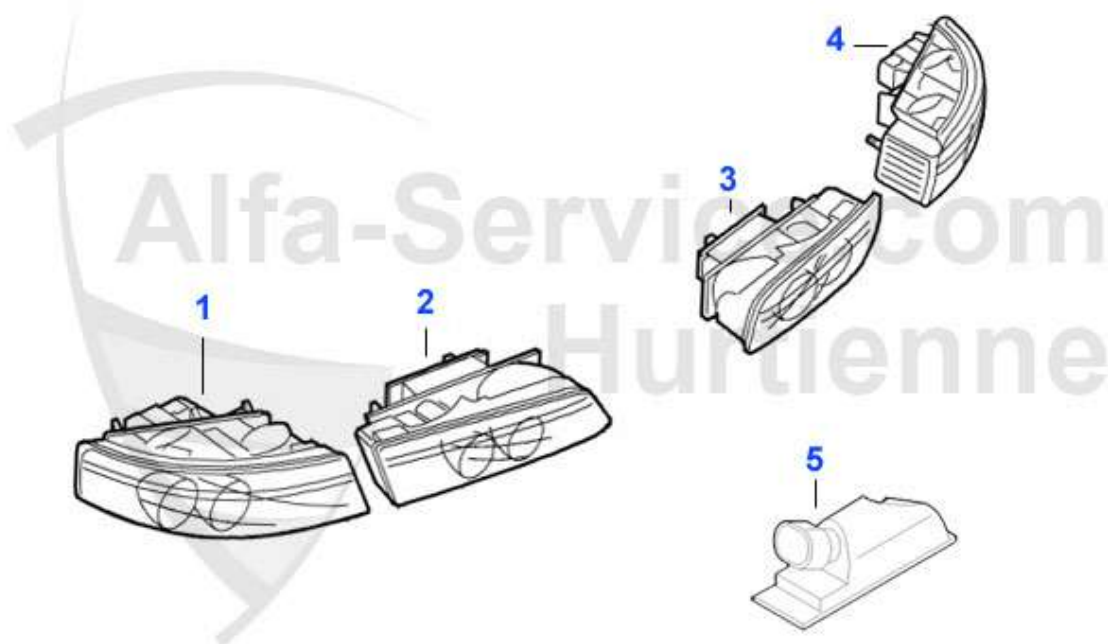
| | |
|-----------------------|----|
| SUSPENSION | 38 |
| STRUT FRONT | 38 |
| STRUT REAR..... | 39 |
| ATTACHMENT FRONT..... | 40 |
| ATTACHMENT REAR | 41 |
| WHEEL BEARING | 42 |
| STEERING | 43 |
| STEERING PARTS | 43 |
| ELECTRIC | 44 |
| FUSE | 44 |
| ENGINE ELECTRIC | 45 |
| SENSORS..... | 45 |
| IGNITION SYSTEM | 46 |
| AGGREGATS | 47 |
| INTERIOR..... | 48 |
| CAR MAT | 48 |

159 > BODY > MIRROR



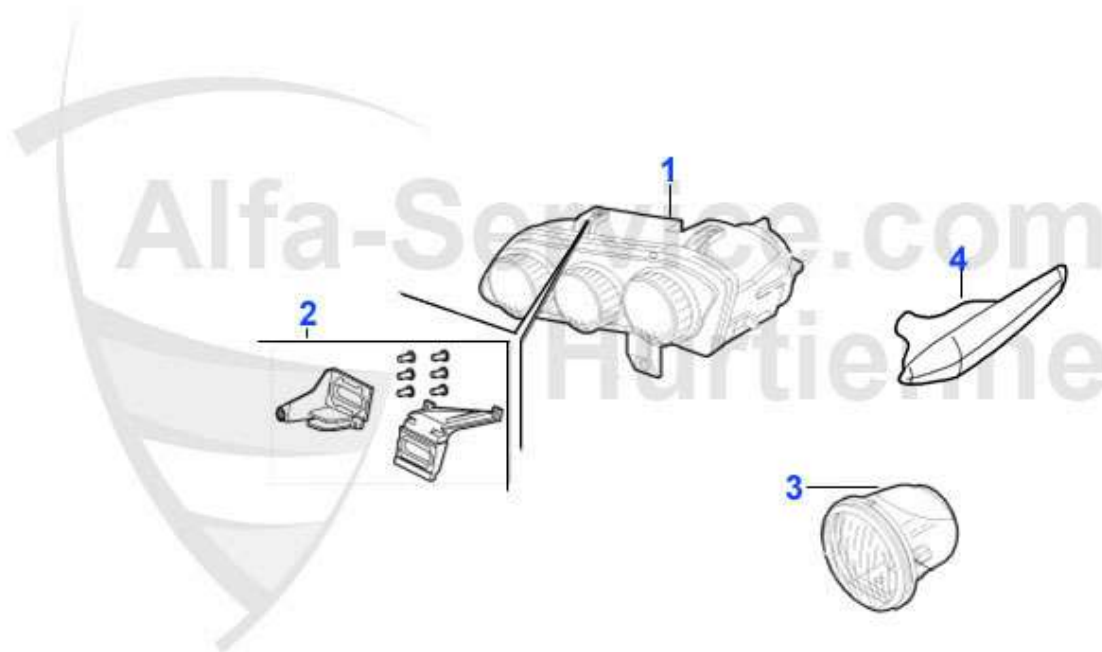
| | | | |
|---|----------|--|------------|
| 1 | ASP53026 | OUTSIDE MIRROR ELECTRICAL VERSION LEFT ASPHERICAL, HEATED, WITH TEMPERATURE SENSOR "WITHOUT COVER" | 209.00 EUR |
| 1 | ASP53018 | OUTSIDE MIRROR ELECTRICAL VERSION RIGHT HEATED, WITHOUT COVER | 209.00 EUR |
| 1 | ASP53027 | OUTSIDE MIRROR ELECTR. VERSION LEFT,159 ASPHERICAL, HEATED, ELECTRICALLY OVER- TURNING, TEMPERATUR SENSOR, "WITHOUT COVER" | 219.00 EUR |
| 1 | ASP53019 | OUTSIDE MIRROR ELECTRICAL ALFA 159, ELECTRICALLY OVERTURNING, HEATED | 219.00 EUR |
| 1 | ASP53028 | OUTSIDE MIRROR ELECTRICAL LEFT HAND ALFA 159 WITH MEMORY FUNCTION, WITH TEMPERATUR SENSOR, HEATED, ASPHERICAL "WITHOUT COVER", electrically overturn | 219.00 EUR |
| 1 | ASP53020 | OUTSIDE MIRROR ELECTRICAL RIGHT HAND ALFA 159 WITH MEMORY FUNCTION,HEATED, "WITHOUT COVER", ELECRCICALLY OVERTURN | 219.00 EUR |
| 2 | ASP59789 | Cover for OUTER MIRROR ALFA 159 left primed | 26.89 EUR |
| 3 | ASP40966 | MIRROR GLASS ALFA 159 LEFT HAND, Blue ASPHERICAL, HEATED | 30.89 EUR |
| 3 | ASP59788 | Cover for OUTER MIRROR right hand, primed | 26.89 EUR |

159 > BODY > LIGHTNING REAR



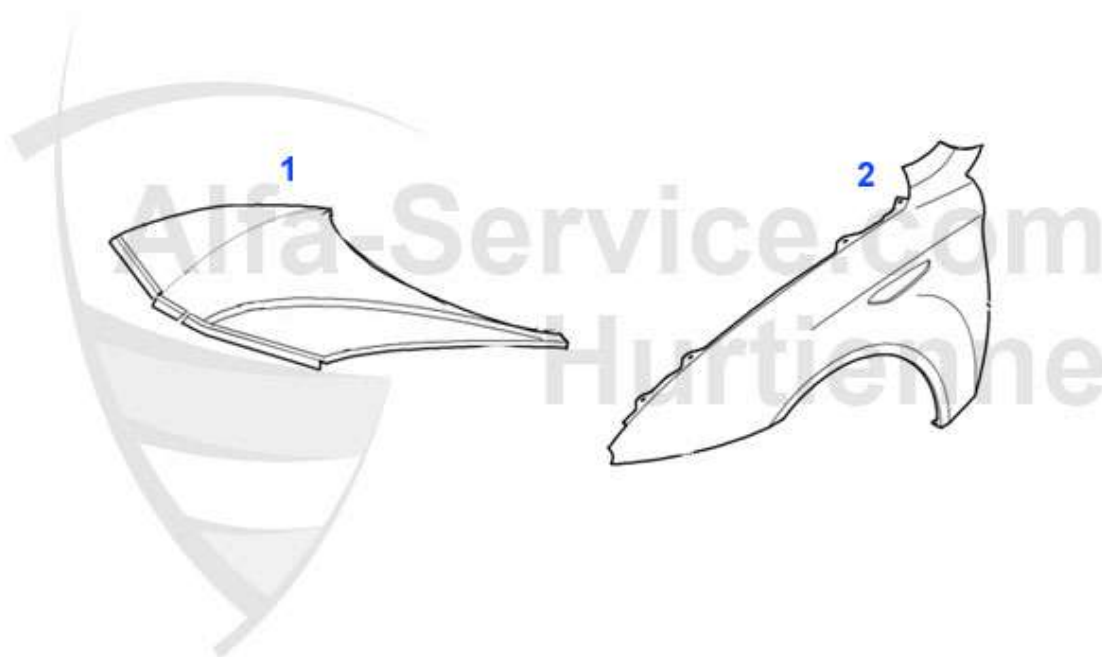
| | | | |
|---|----------|--|-----------|
| 1 | RL91365 | Rückleuchte 159 links aussen Bj. 2005-2008 | 77.29 EUR |
| 2 | RL91366 | Rückleuchte 159 links innen Bj. 05-08 auch SW | 79.63 EUR |
| 3 | RL04819 | Rückleuchte 159 rechts innen Bj. 08-10> | 79.63 EUR |
| 4 | RL91363 | Rückleuchte 159 aussen rechts Bj. 2005-2008 | 77.29 EUR |
| 4 | RL04818 | Rückleuchte 156 rechts aussen Bj. 2008-2010> | 77.29 EUR |
| 5 | KL13400 | REGISTRATION PLATE LAMP 159, Giulietta >2010 | 16.04 EUR |
| 6 | ZBL91106 | ADDITIONAL DIRECTION INDICATOR LAMP 159, RIGHT | 19.72 EUR |
| 6 | ZBL91105 | ADDITIONAL DIRECTION INDICATOR LAMP 159, LEFT | 19.72 EUR |

159 > BODY > LIGHTNING FRONT



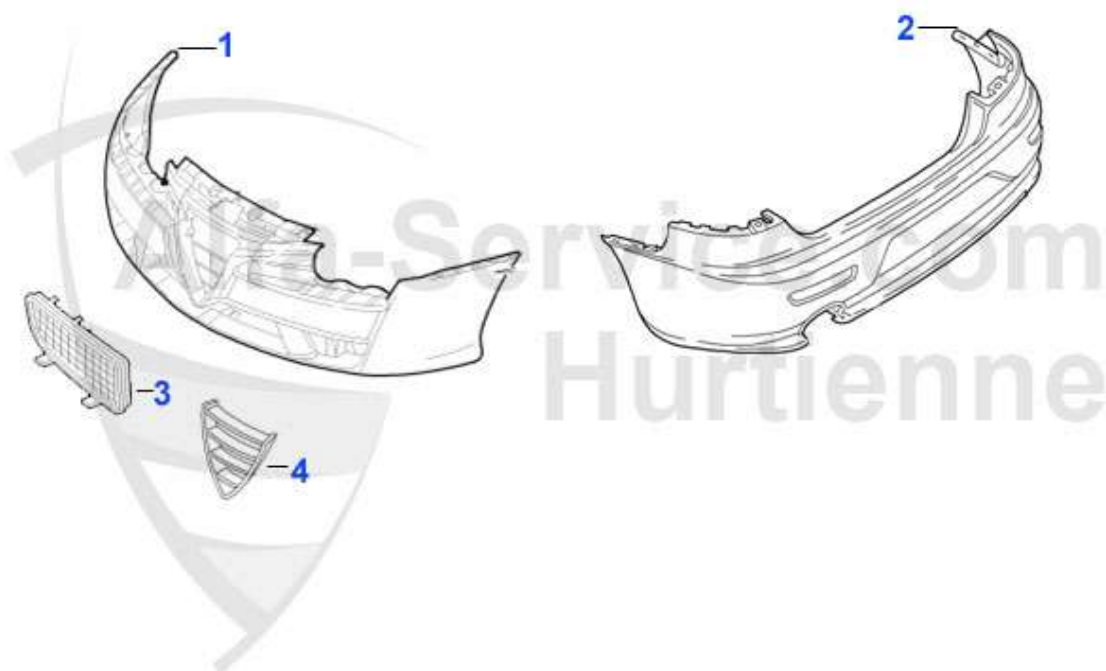
| | | | |
|---|----------|---|------------|
| 1 | SW83987 | XENON HEADLIGHT ALFA 159 RIGHT HAND 09/2005> | 848.99 EUR |
| 1 | SW83988 | XENON HEADLIGHT ALFA 159 LEFT HAND 09/2005 | 848.99 EUR |
| 1 | SW82088 | Hauptscheinwerfer H1 AR159 rechts Bj.05-08, Brera + Spider Bj.05> | 214.78 EUR |
| 1 | SW82089 | Hauptscheinwerfer H1 AR159 links Bj.05-08, Brera + Spider ab 05> | 214.78 EUR |
| 2 | BFK01080 | FIXING KIT MAIN LIGHT AR159, LEFT | 13.61 EUR |
| 3 | NSW04508 | FOG LAMP 159, BRERA >05, SPIDER >06 | 61.24 EUR |
| 4 | ZBL91106 | ADDITIONAL DIRECTION INDICATOR LAMP 159, RIGHT | 19.72 EUR |
| 4 | ZBL91105 | ADDITIONAL DIRECTION INDICATOR LAMP 159, LEFT | 19.72 EUR |

159 > BODY > BODY PANELS



| | | | |
|---|---------|--------------------------|------------|
| 1 | MH88260 | FRONT HOOD 159 | 386.77 EUR |
| 2 | KF88227 | MUDGUARD 159 FRONT LEFT | 169.63 EUR |
| 2 | KF88211 | MUDGUARD 159 FRONT RIGHT | 169.63 EUR |

159 > BODY > BUMPER/GRILLE/PANEL



| | | | |
|---|----------|---|------------|
| 1 | STF59746 | FRONT BUMPER 159 05-08,GROUND COLOURED | 330.97 EUR |
| 2 | STF71819 | REAR BUMPER 159 2,2 SW 05-08, GROUND COLOURED | 297.29 EUR |
| 2 | STF71815 | REAR BUMPER 159 1,9 JTD 05-08 | *** |
| 3 | KG59065 | RADIATOR GRILL 159 RIGHT | 19.60 EUR |
| 3 | KG59066 | RADIATOR GRILL 159 LEFT | 31.50 EUR |
| 4 | KG90396 | RADIATOR HEART 159 UPPER SECTION EMBLEM | 14.49 EUR |
| 4 | KG54309 | RADIATOR HEART 159 (SCUDETTO) | 74.41 EUR |

159 > BODY > GAS PRESSURE SPRING



| | | | |
|---|---------|---|-----------|
| 1 | GF88574 | BONNTE GAS SPRING 159,BRERA 05<,SPIDER 06< (250N), LENGTH 600mm | 45.10 EUR |
| 2 | GF80087 | Gasfeder Kofferdeckel 159 05-11 (380N) Länge 293mm | 24.10 EUR |
| 3 | GF08010 | Gasfeder Heckklappe 159 SW (1180N) Länge 253mm | 33.63 EUR |

159 > ENGINE > FILTER > 1,8 MPI 07>



| | | | |
|---|---------|---|-----------|
| 1 | LF83562 | AIR FILTER 159, Brera, Spider >06 | 28.99 EUR |
| 3 | OF44410 | OIL FILTER 159 1,8MPI | 8.90 EUR |
| 4 | IF17405 | INDOOR FILTER Alfa 159/Brera/Spider >06 | 28.99 EUR |

159 > ENGINE > FILTER > 1,9 JTD 16V 05>



| | | | |
|---|---------|---|-----------|
| 2 | KF93681 | FUEL FILTER ALFA159/BRERA 05>/SPIDER 06> MITO 08>/GIULIETTA 2010> | 88.99 EUR |
| 3 | OF37926 | OIL FILTER 159 1,9JTD 16V/8V | *** |
| 4 | IF17405 | INDOOR FILTER Alfa 159/Brera/Spider >06 | 28.99 EUR |

159 > ENGINE > FILTER > 1,9 JTD 8V 05>



| | | | |
|---|---------|---|-----------|
| 1 | LF83562 | AIR FILTER 159, Brera, Spider >06 | 28.99 EUR |
| 2 | KF93681 | FUEL FILTER ALFA159/BRERA 05>/SPIDER 06> MITO 08>/GIULIETTA 2010> | 88.99 EUR |
| 3 | OF37926 | OIL FILTER 159 1,9JTD 16V/8V | *** |
| 4 | IF17405 | INDOOR FILTER Alfa 159/Brera/Spider >06 | 28.99 EUR |

159 > ENGINE > FILTER > 1,9 JTS 05>



| | | | |
|---|---------|---|-----------|
| 1 | LF83562 | AIR FILTER 159, Brera, Spider >06 | 28.99 EUR |
| 4 | IF17405 | INDOOR FILTER Alfa 159/Brera/Spider >06 | 28.99 EUR |

159 > ENGINE > FILTER > 2,2 JTS 16V 05>



| | | | |
|---|---------|--|-----------|
| 1 | LF83562 | AIR FILTER 159, Brera, Spider >06 | 28.99 EUR |
| 3 | OF52468 | OIL FILTER 159 2,2JTS/Brera >05/ Spider >06/ JTS 16V | *** |
| 4 | IF17405 | INDOOR FILTER Alfa 159/Brera/Spider >06 | 28.99 EUR |

159 > ENGINE > FILTER > 2,4 JTDM 20V 06>



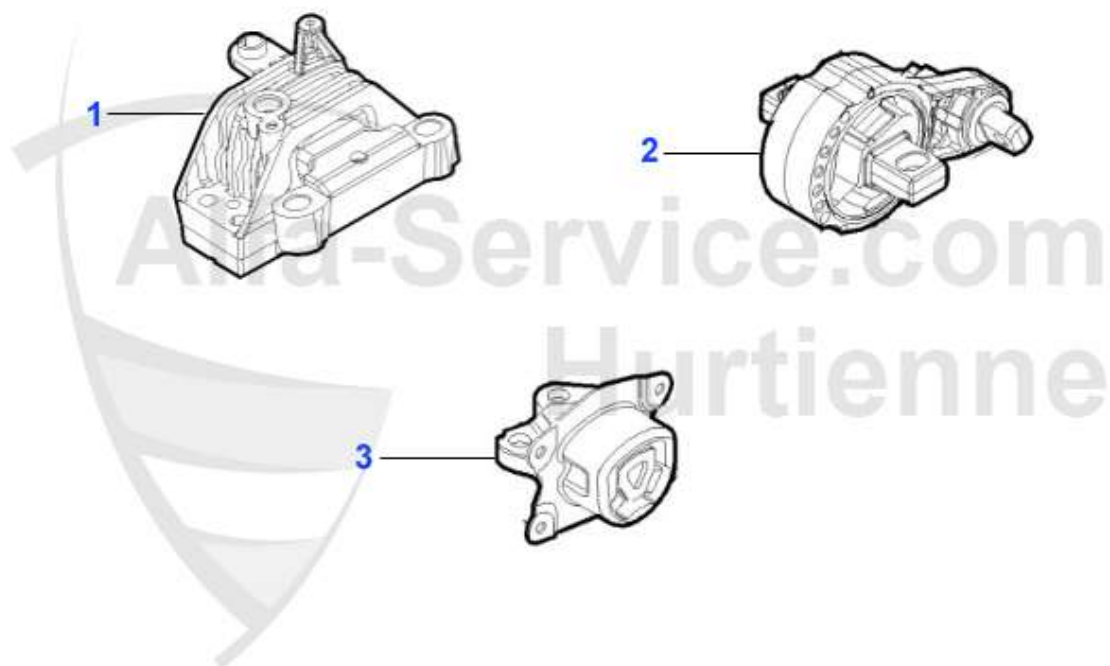
| | | | |
|---|---------|---|-----------|
| 1 | LF83562 | AIR FILTER 159, Brera, Spider >06 | 28.99 EUR |
| 2 | KF93681 | FUEL FILTER ALFA159/BRERA 05>/SPIDER 06> MITO 08>/GIULIETTA 2010> | 88.99 EUR |
| 3 | OF40470 | OIL FILTER 159 2,4 JTDM, Brera >05 Spider >06 (paper insert) | 19.90 EUR |
| 4 | IF17405 | INDOOR FILTER Alfa 159/Brera/Spider >06 | 28.99 EUR |

159 > ENGINE > FILTER > 3,2 Q4 06>



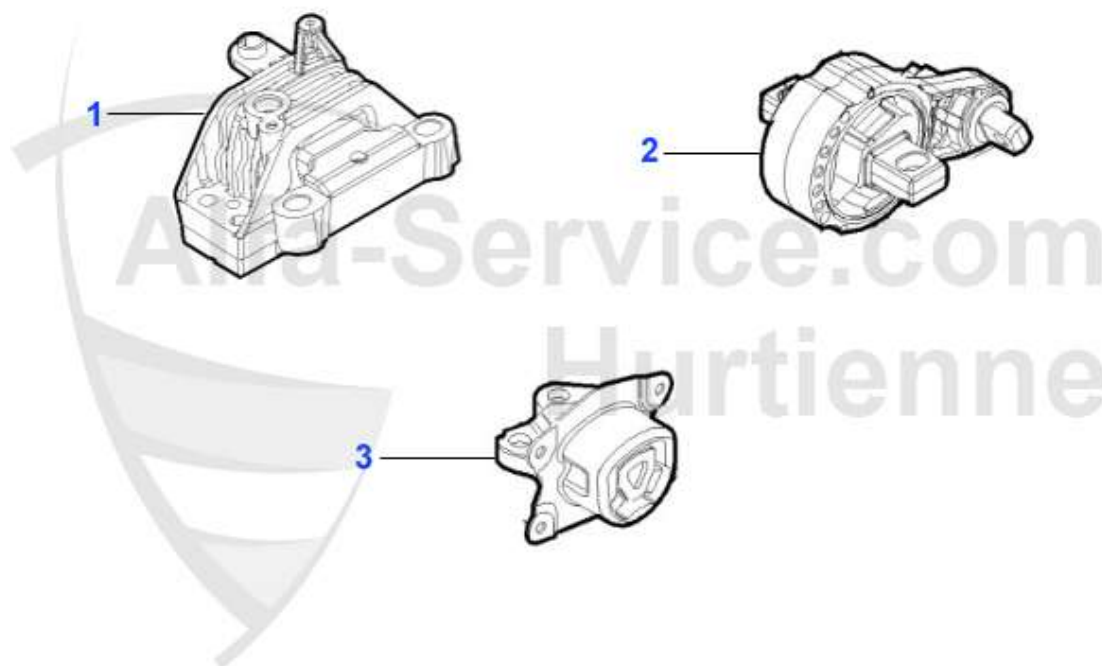
| | | | |
|---|---------|--|-----------|
| 1 | LF83562 | AIR FILTER 159, Brera, Spider >06 | 28.99 EUR |
| 3 | OF41042 | OIL FILTER 159 3,2JTS V6/24V Brera >05/ Spider >06 | 29.50 EUR |
| 4 | IF17405 | INDOOR FILTER Alfa 159/Brera/Spider >06 | 28.99 EUR |

159 > ENGINE > ENGINE MOUNT > 1.8 TBi 16V



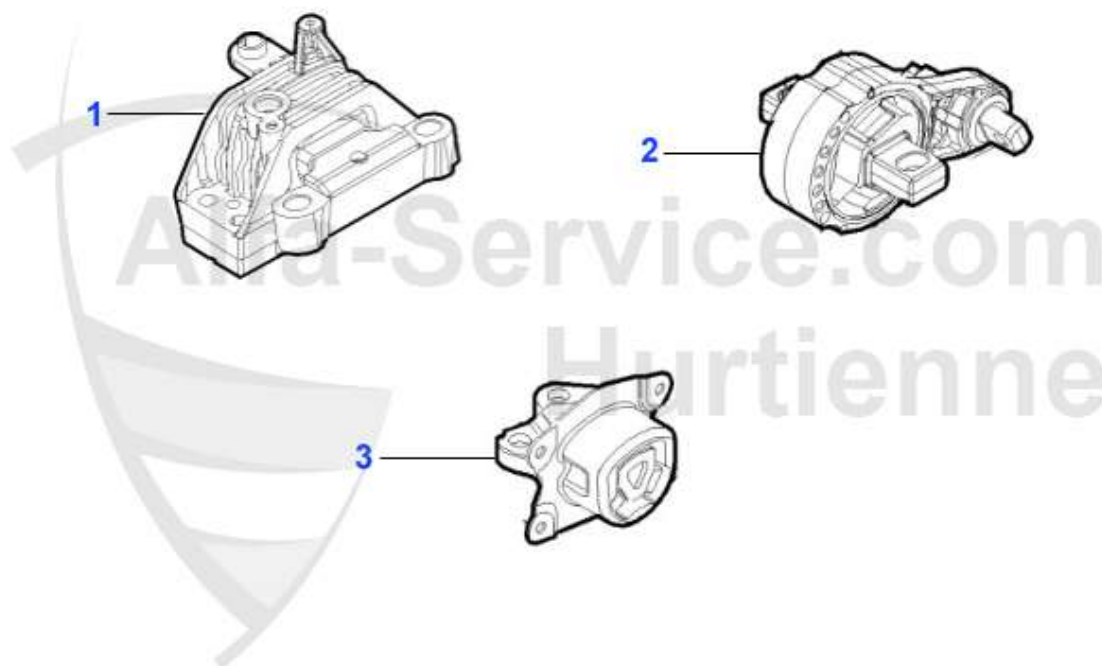
| | | | |
|---|---------|---|------------|
| 1 | ML01604 | FRONT UPPER ENGINE MOUNT ALFA 159 1.8 BZ | 120.00 EUR |
| 2 | ML02602 | CONNECTING ROD ALFA 159 05-11 1.8/1.9/ 2.2/3.2 BZ,BRERA 05-10 SPIDER 06-10 2.4 JTD | 82.00 EUR |
| 3 | ML01603 | REAR LOWER ENGINE MOUNT ALFA 156 1.8JTS 05-10 | 75.01 EUR |

159 > ENGINE > ENGINE MOUNT > 1.9 JTDM 8/16V



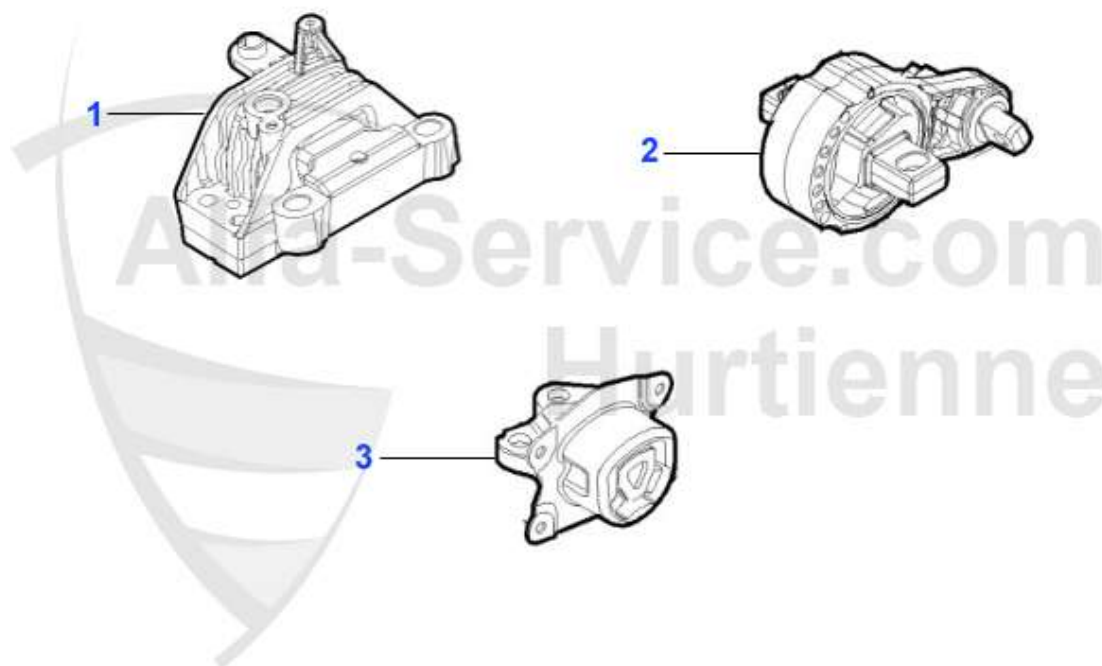
| | | | |
|---|---------|--|------------|
| 1 | ML01606 | FRONT UPPER ENGINE MOUNT ALFA 159 1.9JTD 05-10 | 149.00 EUR |
| 2 | ML05511 | CONNECTING ROD ALFA 159 1.9JTD 8V,1.9JTD 16V,2.4JTD 20V | 73.78 EUR |
| 3 | ML01389 | REAR ENGINE MOUNT ALFA 159,BRERA,SPIDER 1.9JTD 8V/1.9JTD 16V (GEARBOX SIDE) | 89.00 EUR |

159 > ENGINE > ENGINE MOUNT > 1.9 JTS 16V



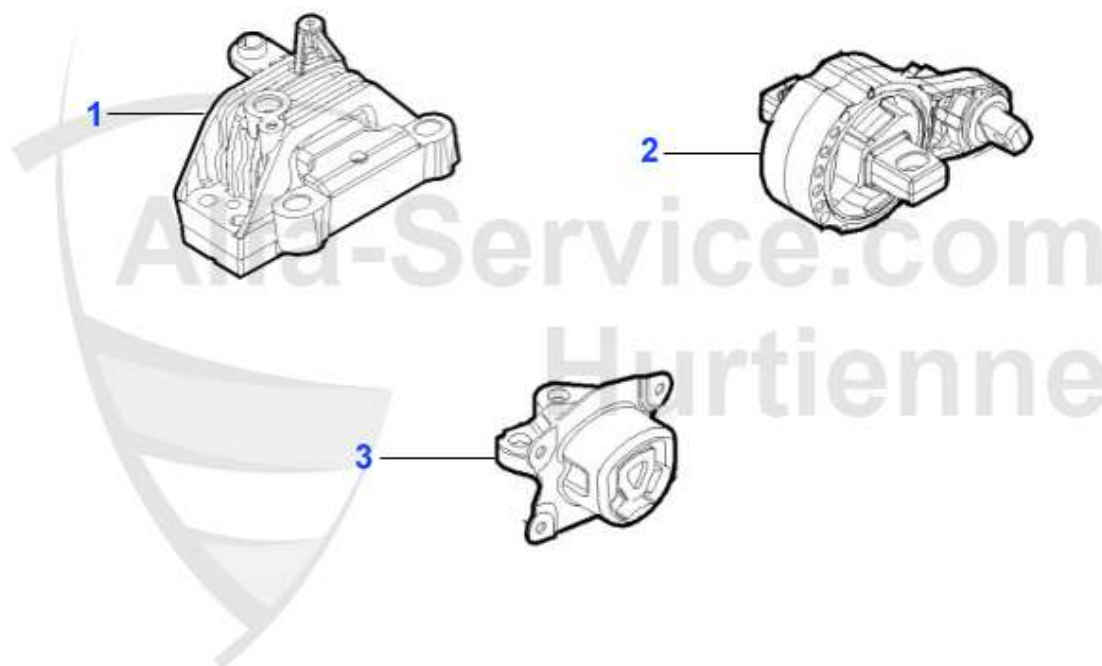
| | | | |
|---|---------|---|-----------|
| 1 | ML94071 | FRONT UPPER ENGINE MOUNT ALFA 159 05-10, BRERA 05-10, SPIDER 06-10 1.9/2.2 BZ | *** |
| 2 | ML02602 | CONNECTING ROD ALFA 159 05-11 1.8/1.9/ 2.2/3.2 BZ, BRERA 05-10 SPIDER 06-10 2.4 JTD | 82.00 EUR |
| 3 | ML05985 | REAR ENGINE MOUNT ALFA 159, BRERA, SPIDER 1.9 JTS 16V/2.2 JTS 16V/3.2 V6 GEARBOX SIDE | *** |

159 > ENGINE > ENGINE MOUNT > 2.2 JTS 16V



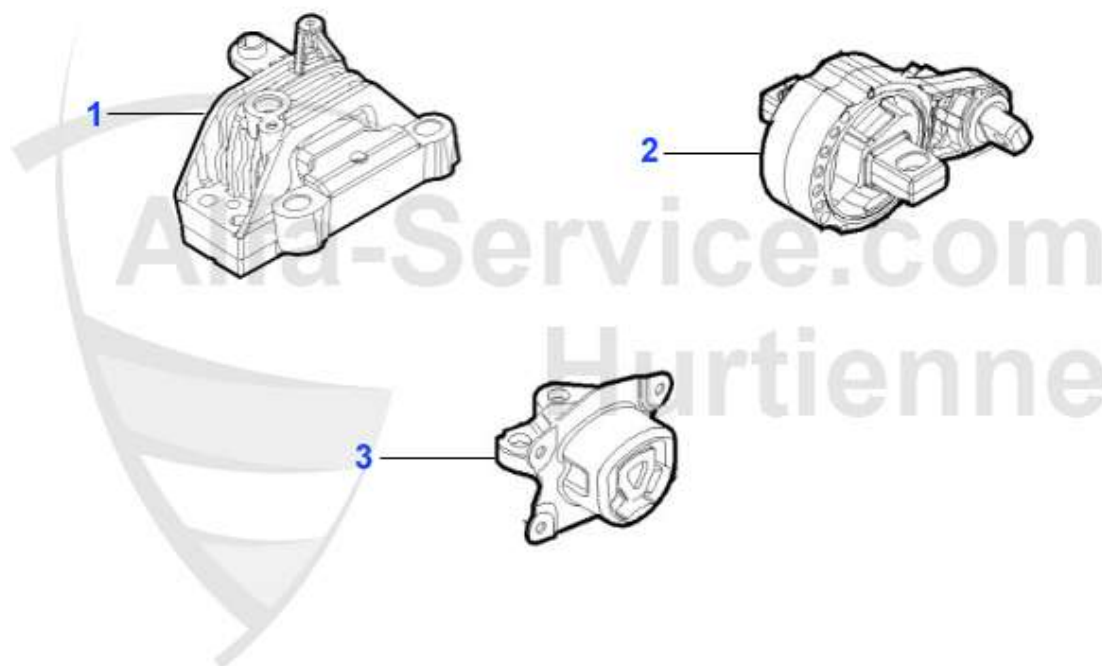
| | | | |
|---|---------|---|-----|
| 1 | ML94071 | FRONT UPPER ENGINE MOUNT ALFA 159 05-10, BRERA 05-10, SPIDER 06-10 1.9/2.2 BZ | *** |
| 2 | ML01607 | LOWER ENGINE MOUNT 159, BRERA, SPIDER 2.2 JTS CF4 (05-11) | *** |
| 2 | ML01608 | ENGINE CONNECTING ROD 159, BRERA, SPIDER 2.2 JTS CF4 (05-11) | *** |
| 3 | ML05985 | REAR ENGINE MOUNT ALFA 159, BRERA, SPIDER 1.9 JTS 16V/2.2 JTS 16V/3.2 V6 GEARBOX SIDE | *** |

159 > ENGINE > ENGINE MOUNT > 2.4 JTDM 20V

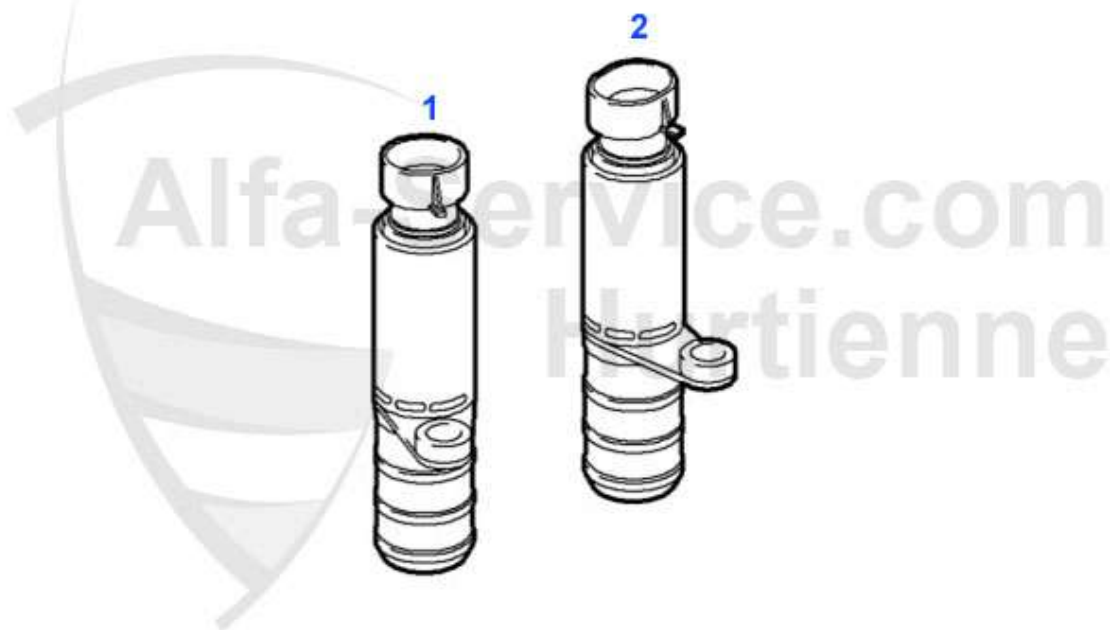


| | | | |
|---|---------|--|------------|
| 1 | ML01961 | FRONT UPPER ENGINE MOUNT ALFA 159 2.4JTD 20V 05-10, BRERA 05-10, SPIDER 06-10 DIESEL | 129.00 EUR |
| 2 | ML02602 | CONNECTING ROD ALFA 159 05-11 1.8/1.9/ 2.2/3.2 BZ, BRERA 05-10 SPIDER 06-10 2.4 JTD | 82.00 EUR |
| 2 | ML05511 | CONNECTING ROD ALFA 159 1.9JTD 8V, 1.9JTD 16V, 2.4JTD 20V | 73.78 EUR |
| 3 | ML94937 | REAR ENGINE MOUNT ALFA 159, BRERA, SPIDER 2.4JTD 20V (GEARBOX SIDE) | 90.00 EUR |

159 > ENGINE > ENGINE MOUNT > 3.2 JTS V6 24V

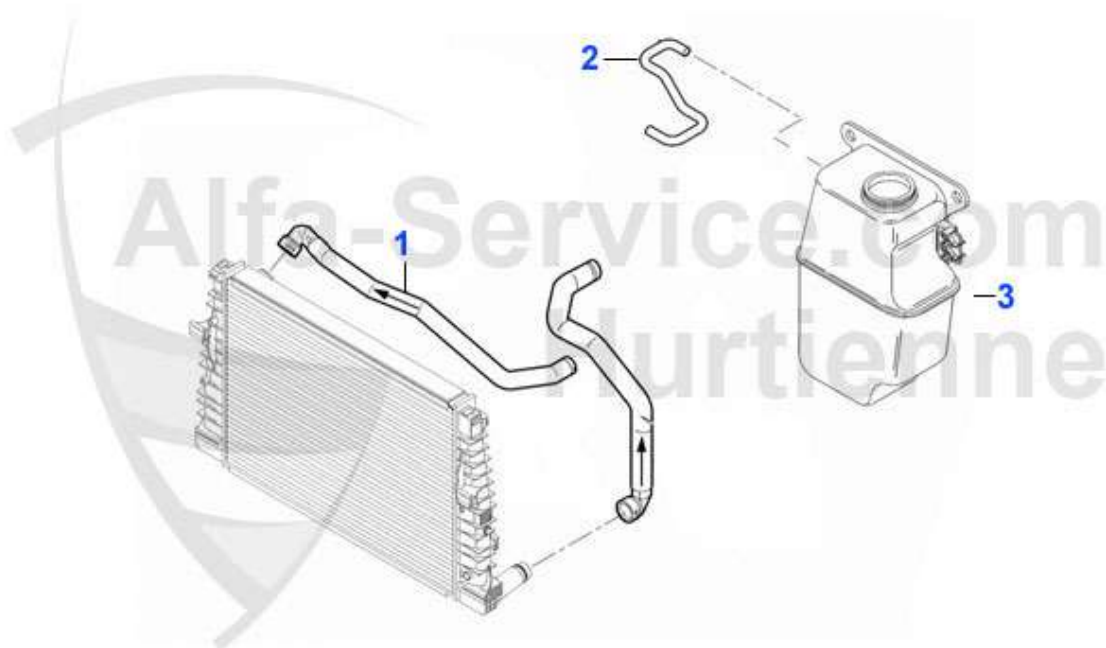


| | | | |
|---|---------|--|-----------|
| 2 | ML02602 | CONNECTING ROD ALFA 159 05-11 1.8/1.9/ 2.2/3.2 BZ,BRERA 05-10 SPIDER 06-10 2.4 JTD | 82.00 EUR |
| 3 | ML05985 | REAR ENGINE MOUNT ALFA 159,BRERA,SPIDER 1.9JTS 16V/2.2JTS 16V/3.2 V6 GEARBOX SIDE | *** |



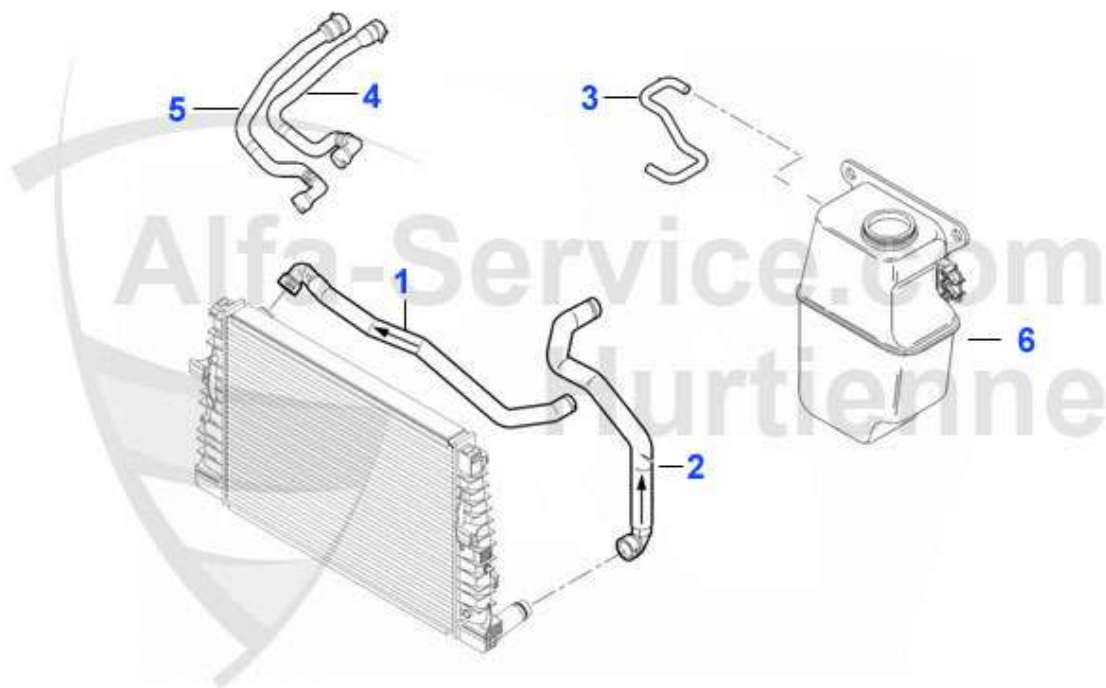
| | | |
|---|--|------------|
| 1 | NWS53148 ELECTRO VALVE EXH. CAM, 159, BRERA >05, SPIDER >06 (4 cil.) | 114.99 EUR |
| 2 | NWS53274 Electro Valve Inlet Cam, 159,Spider >06 (4 cil.), Brera | 107.00 EUR |

159 > ENGINE > COOLING SYSTEM > TUBES > 1.8 MPI/TBI



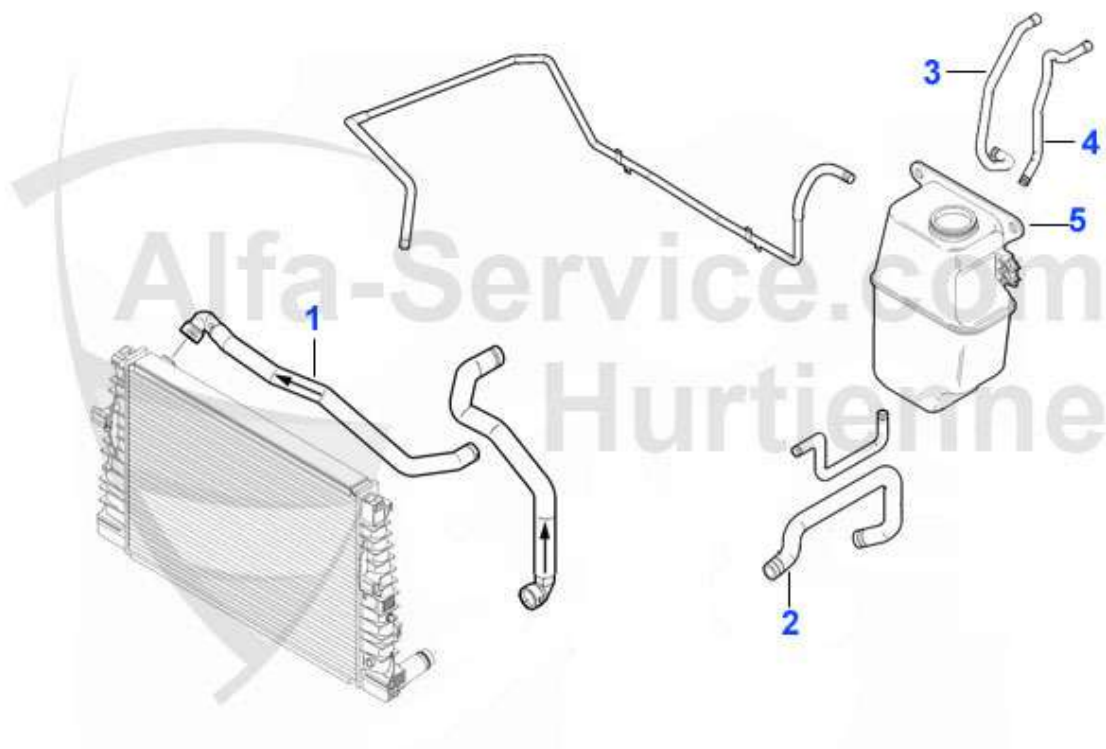
| | | |
|---|--|-----------|
| 1 | KWS95101 UPPER WATER HOSE 159 1.8 | 29.07 EUR |
| 2 | KWS95100 WATER HOSE TO THE EXPANSION TANK 159 1.8 16V | *** |
| 3 | KWB16508 OVERFLOW CONTAINER 159 05-10/BRERA 05-10/SPIDER 06-10 | 29.50 EUR |

159 > ENGINE > COOLING SYSTEM > TUBES > 1.9 JTD



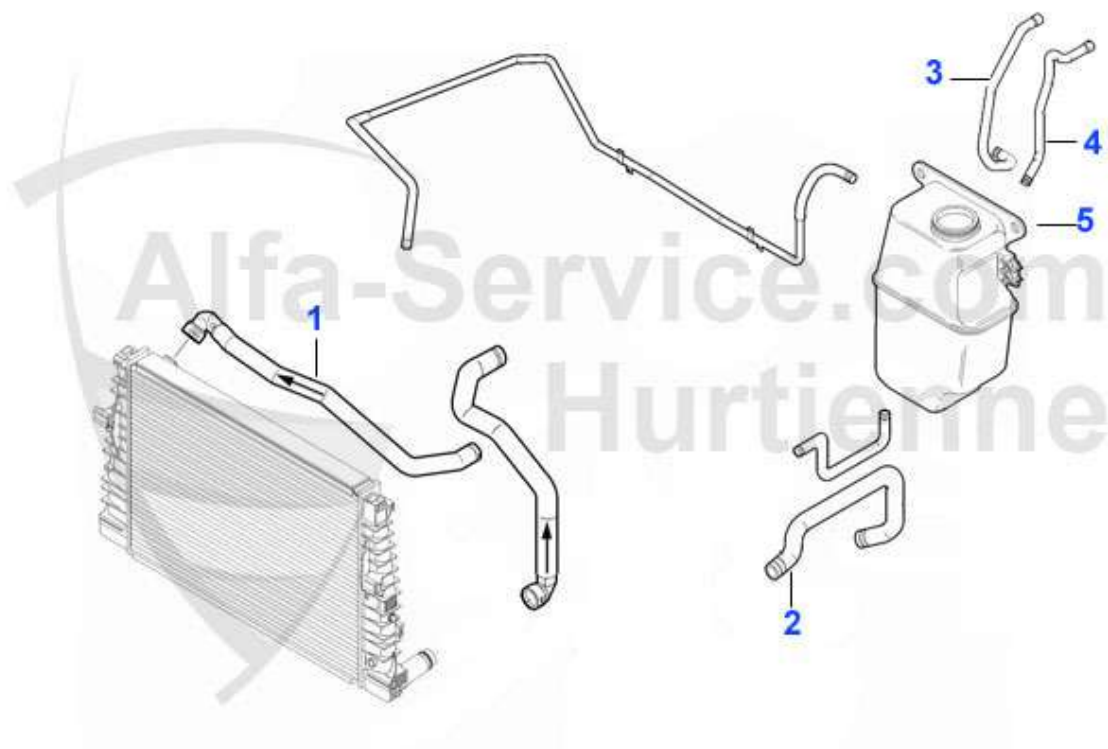
| | | |
|---|--|-----------|
| 1 | KWS98116 UPPER WATER HOSE 159 1.9JTD | 36.02 EUR |
| 2 | KWS01560 LOWER WATER HOSE 159 1.9JTD (05-08) | *** |
| 3 | KWS06322 WATER HOSE TO THE EXPANSION TANK 159 1.9JTD | *** |
| 4 | KWS1077 RIGHT HEATER HOSE 159 1.9JTD | 39.47 EUR |
| 5 | KWS1076 Heizungsschlauch rechts AR159 JTD 8V (Rücklauf) | *** |
| 6 | KWB16508 OVERFLOW CONTAINER 159 05-10/BRERA 05-10/SPIDER 06-10 | 29.50 EUR |

159 > ENGINE > COOLING SYSTEM > TUBES > 1.9 JTS



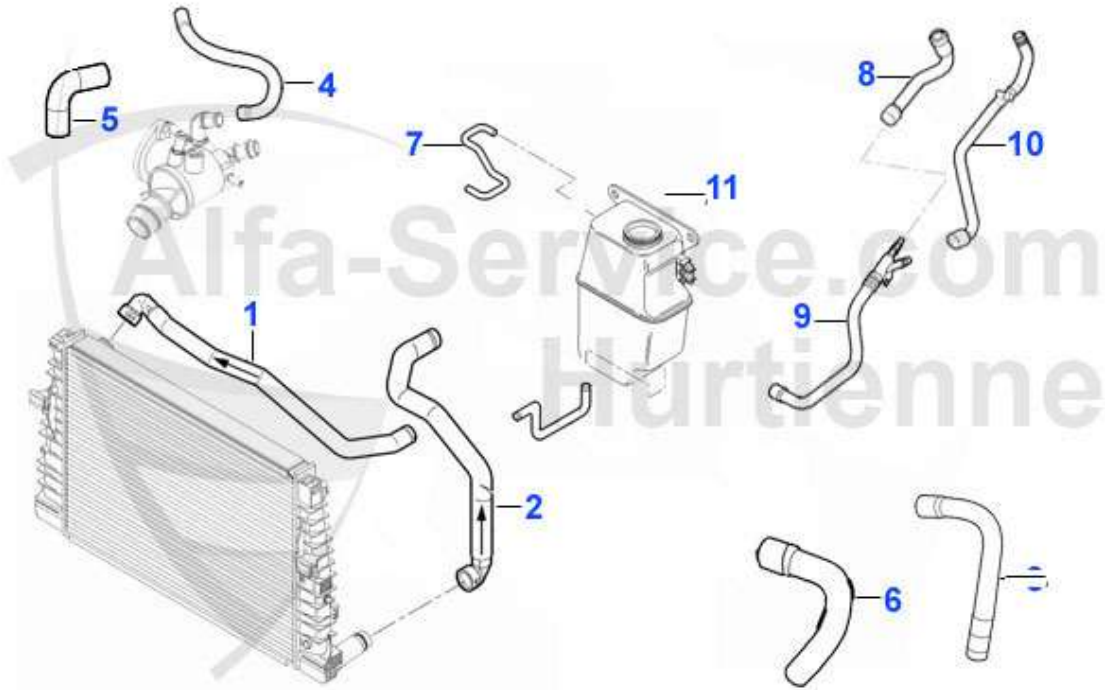
| | | |
|---|--|------------|
| 1 | KWS00406 UPPER WATER HOSE 159 1.9/2.2/BRERA 05</ SPIDER 06< | 128.52 EUR |
| 2 | KWS00126 WATER HOSE 156,BRERA,SPIDER 05-10 1.9JTS/2.2JTS THERMOSTAT-DISTRIBUTOR | *** |
| 3 | KWS0074 RIGHT HEATER HOSE 159 1.9/2.2JTS 16V/ Brera,Spider | *** |
| 4 | KWS0075 LEFT HEATER HOSE 159,BRERA,SPIDER 1.9/ 2.2JTS (FLYBACK) | *** |
| 5 | KWB16508 OVERFLOW CONTAINER 159 05-10/BRERA 05-10/SPIDER 06-10 | 29.50 EUR |

159 > ENGINE > COOLING SYSTEM > TUBES > 2.2 JTS



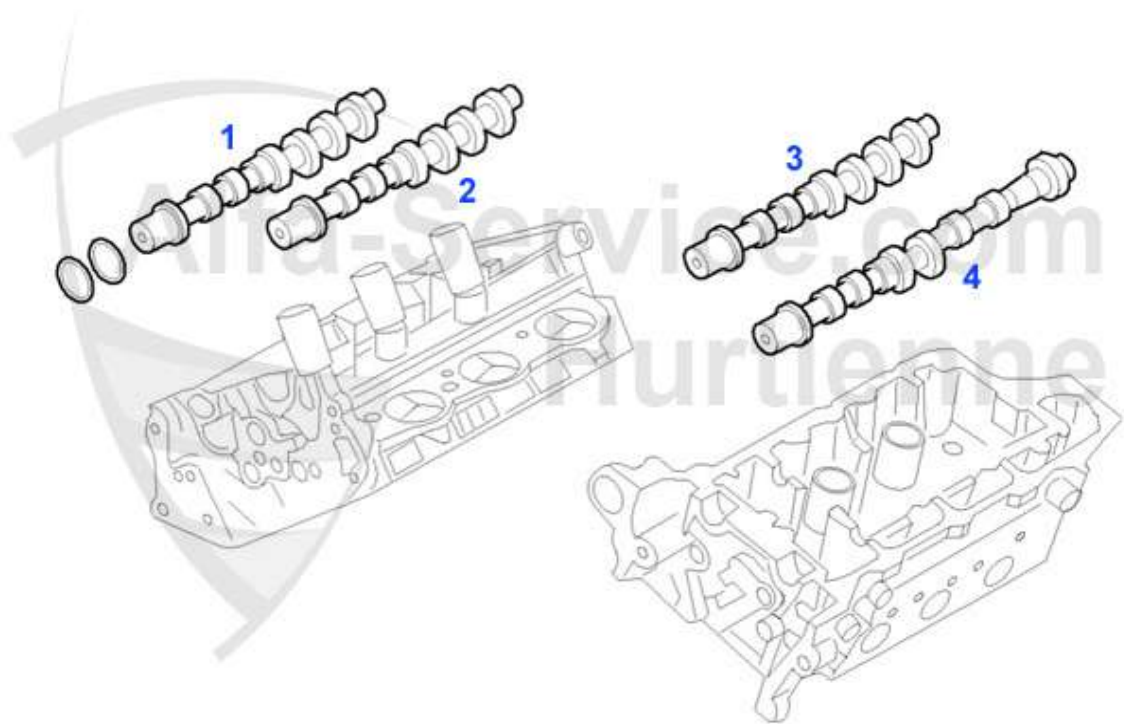
| | | |
|---|--|------------|
| 1 | KWS00406 UPPER WATER HOSE 159 1.9/2.2/BRERA 05</ SPIDER 06< | 128.52 EUR |
| 2 | KWS00126 WATER HOSE 156,BRERA,SPIDER 05-10 1.9JTS/2.2JTS THERMOSTAT-DISTRIBUTOR | *** |
| 3 | KWS0074 RIGHT HEATER HOSE 159 1.9/2.2JTS 16V/ Brera,Spider | *** |
| 4 | KWS0075 LEFT HEATER HOSE 159,BRERA,SPIDER 1.9/ 2.2JTS (FLYBACK) | *** |
| 5 | KWB16508 OVERFLOW CONTAINER 159 05-10/BRERA 05-10/SPIDER 06-10 | 29.50 EUR |

159 > ENGINE > COOLING SYSTEM > TUBES > 2.4 JTD



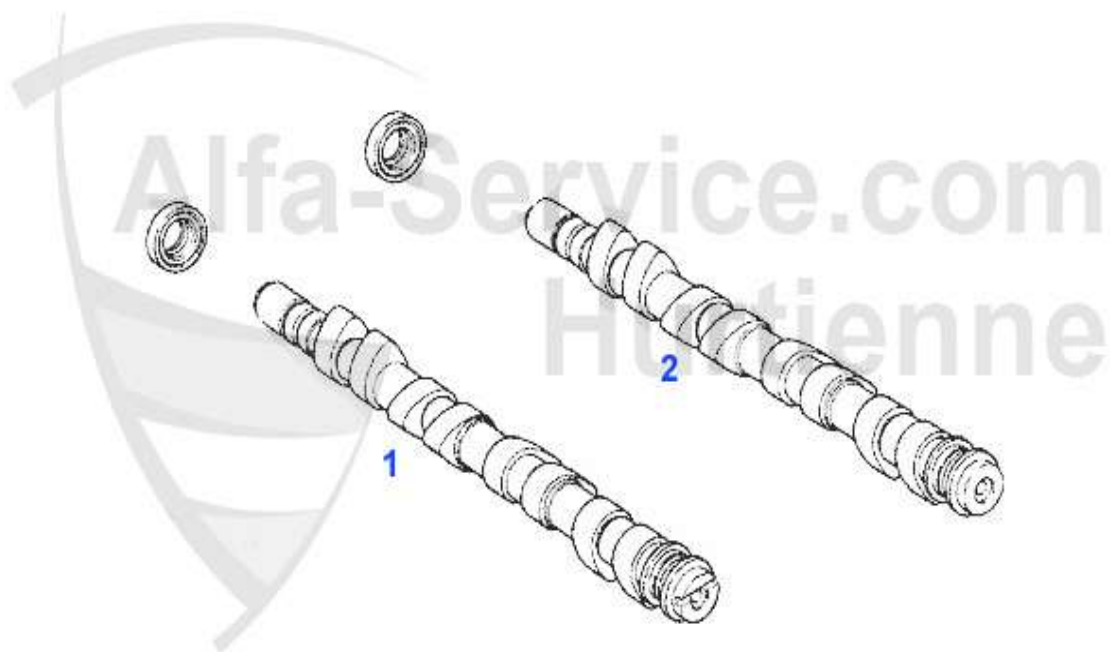
| | | |
|----|---|-----------|
| 1 | KWS99188 UPPER WATER HOSE 159 2.4JTD/BRERA 05</ SPIDER 06< | 39.23 EUR |
| 2 | KWS93761 LOWER WATER HOSE 159 2.4JTD/BRERA 05</ SPIDER 06< | 34.78 EUR |
| 3 | KWS94467 WATER HOSE 159 2.4JTD 20V, BRERA, SPIDER 05< THERMOSTAT-DISTRIBUTOR-WATERPUMP | *** |
| 4 | KWS02903 WATER HOSE 159,147,156,166,GT 03-10, THERMOSTAT-DISTRIBUTOR (ONLY 2.4JTD) | *** |
| 5 | KWS80936 CONNECTING HOSE WATERPUMP-DISTRIBUTOR 159 2.4JTD, BRERA 05</SPIDER 06< | 30.59 EUR |
| 6 | KWS95625 WATER HOSE 159, BRERA, SPIDER 05-10 BETWEEN PREHEATING MANIFOLD AND EXHAUST- GAS RETURN (EGR) ONLY 2.4JTD | 12.00 EUR |
| 7 | KWS01634 WATER HOSE TO THE EXPANSION TANK 159, BRERA, SPIDER 2.4JTD | *** |
| 8 | KWS1631 LEFT HEATER HOSE 159, BRERA, SPIDER 2.4JTD 20V | *** |
| 9 | KWS0063 LEFT HEATER HOSE 159, Brera, Spider 2.4JTD 20V FLYBACK, HOSE WITH DISTRIBUTOR | *** |
| 10 | KWS1632 LEFT OUTER HEATER HOSE 159, BRERA, SPIDER 2.4JTD 20V (FLYBACK) | *** |
| 11 | KWB16508 OVERFLOW CONTAINER 159 05-10/BRERA 05-10/SPIDER 06-10 | 29.50 EUR |

159 > ENGINE > VALVE GEAR > 3.2 JTS > CAMSHAFT

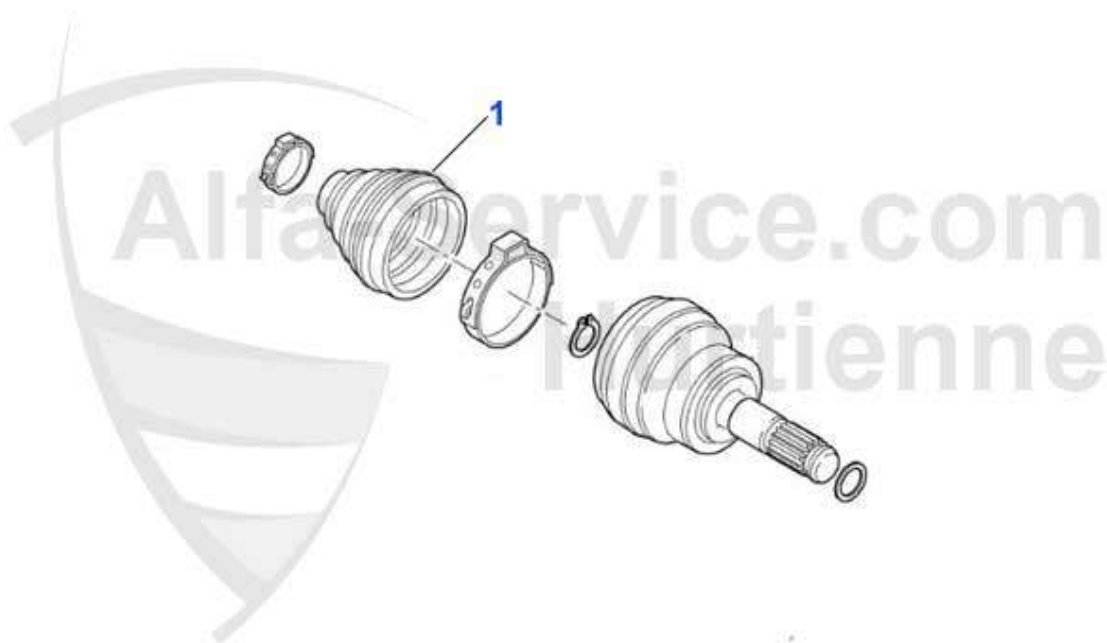


| | | | |
|---|---------|---|------------|
| 1 | NKW1593 | Nockenwelle Auslass 3,2 CF4 159/Brera/Spider 05-10 Rechter Zylinderkopf! 71741087 | 280.00 EUR |
| 2 | NKW1594 | Nockenwelle Einlass 3,2 CF4 159/Brera/Spider 05-10 Rechter Zylinderkopf! | 280.00 EUR |
| 3 | NKW1595 | Nockenwelle Einlass 3,2 CF4 159/Brera/Spider 05-10 Linker Zylinderkopf! | 280.00 EUR |
| 4 | NKW1596 | Nockenwelle Auslass 3,2 CF4 159/Brera/Spider 05-10 Linker Zylinderkopf! | 280.00 EUR |

159 > ENGINE > VALVE GEAR > 2.2 JTS > CAMSHAFT



| | | | |
|---|---------|--|------------|
| 1 | NKW1592 | EXHAUST CAMSHAFT 2.2 JTS AR159/BRERA/ SPIDER (05-10) | 479.00 EUR |
| 2 | NKW1597 | Nockenwelle Einlass 2,2 JTS AR159/Brera/Spider (05-10) | 498.99 EUR |



| | | |
|---|--|-----------|
| 1 | AMS15480-2AXLE BOOT AR159 2.4JTD/BRERA 05<,SPIDER 06< (WHEEL SIDE) | 17.90 EUR |
| 1 | AMS15480-1AXLE BOOT AR159 1.8 WHEEL SIDE | 13.99 EUR |
| 1 | AMS15480 AXLE BOOT AR159 1.9/2.2/1.9JTD/WHEEL SIDE (BRERA 05< + SPIDER 06< | 17.90 EUR |

159 > BRAKE > BRAKE DISKS



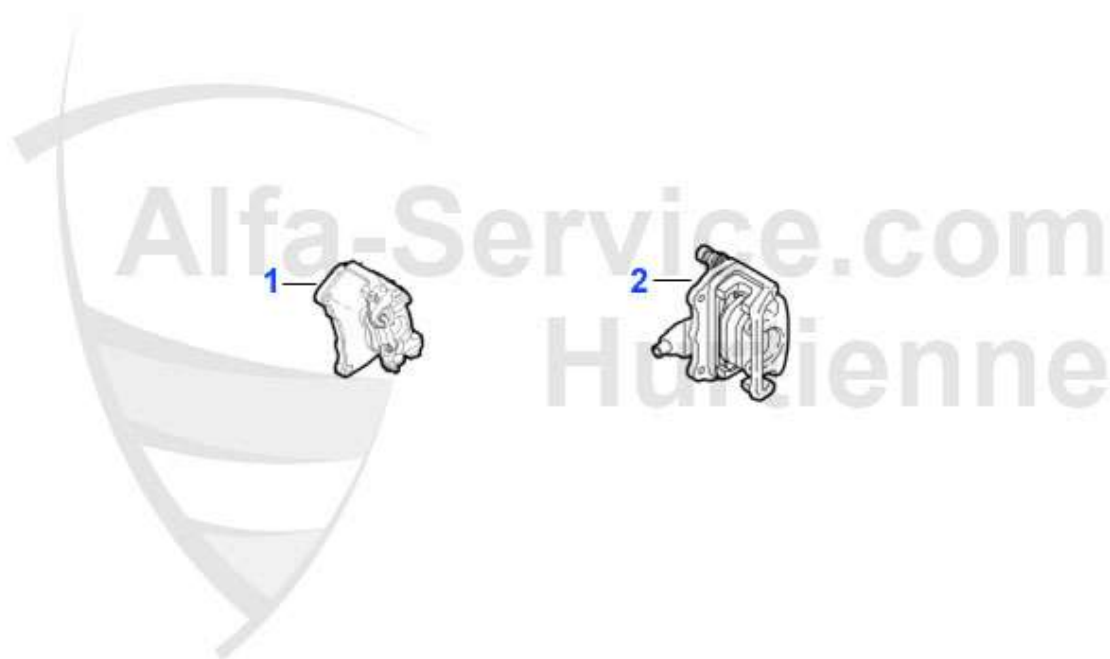
| | | | |
|---|---------|---|------------|
| 1 | BS67382 | FRONT BRAKE DISC 159 2,2JTS (05-08) BRERA 05>/SPIDER 06> | 93.00 EUR |
| 1 | BS60621 | FRONT BRAKE DISC 156 2,2 JTS 05-08 Brera >05/Spider >06 | 93.00 EUR |
| 2 | BS67378 | REAR BRAKE DISC 159 1,9JTD (05-08) BRERA 05>/SPIDER 06>/GIULIETTA 2010> | 100.00 EUR |
| 2 | BS60273 | REAR BRAKE DISC 159 2,2JTS (05-08) BRERA 05>/SPIDER 06> | 100.00 EUR |

159 > BRAKE > BRAKE PADS



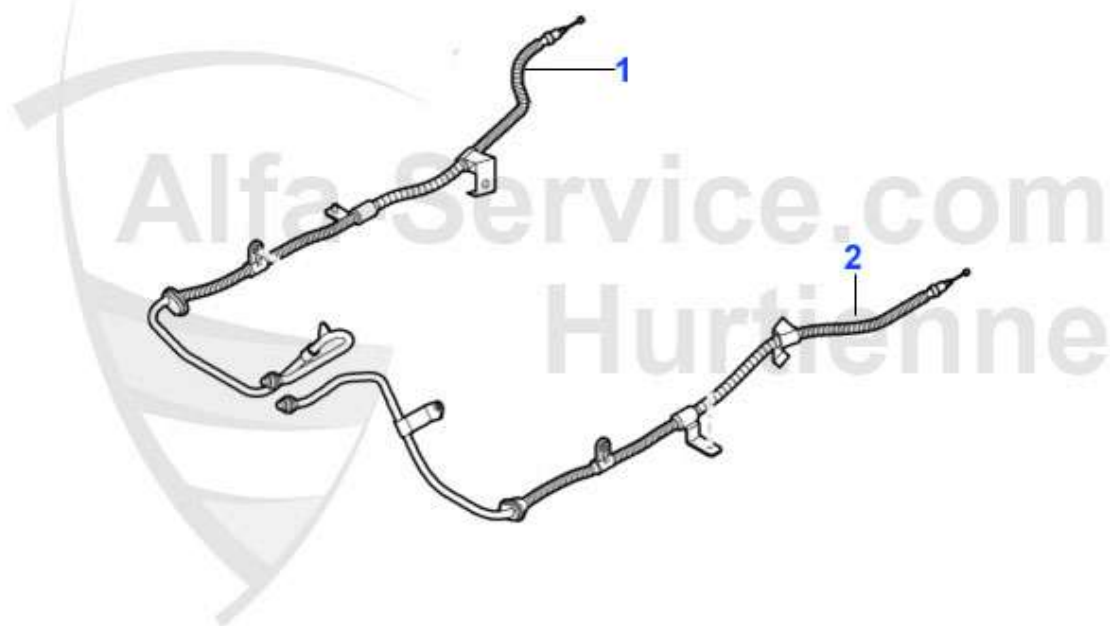
| | | | |
|----------|--------------|--|------------------|
| 1 | 62777 | REAR BRAKE PADS BREAR/SPIDER/159 (939) LUKAS/TRW BRAKE SYSTEM | 36.00 EUR |
| 2 | 62744 | SBB VA Brera/Spider (939) 2,2JTS m.Verschleißanzeige System ATE | 58.99 EUR |
| 3 | 62733 | SBB VA Brera/Spider (939) 1,8Tbi/2,2JTS/3,2JTS Q4/ 2,0JTDM/2,4JTDM 20V/GT(937) 3,2GTA/System BREMBO mit Verschleißanzeige | 39.50 EUR |

159 > BRAKE > CALIPER



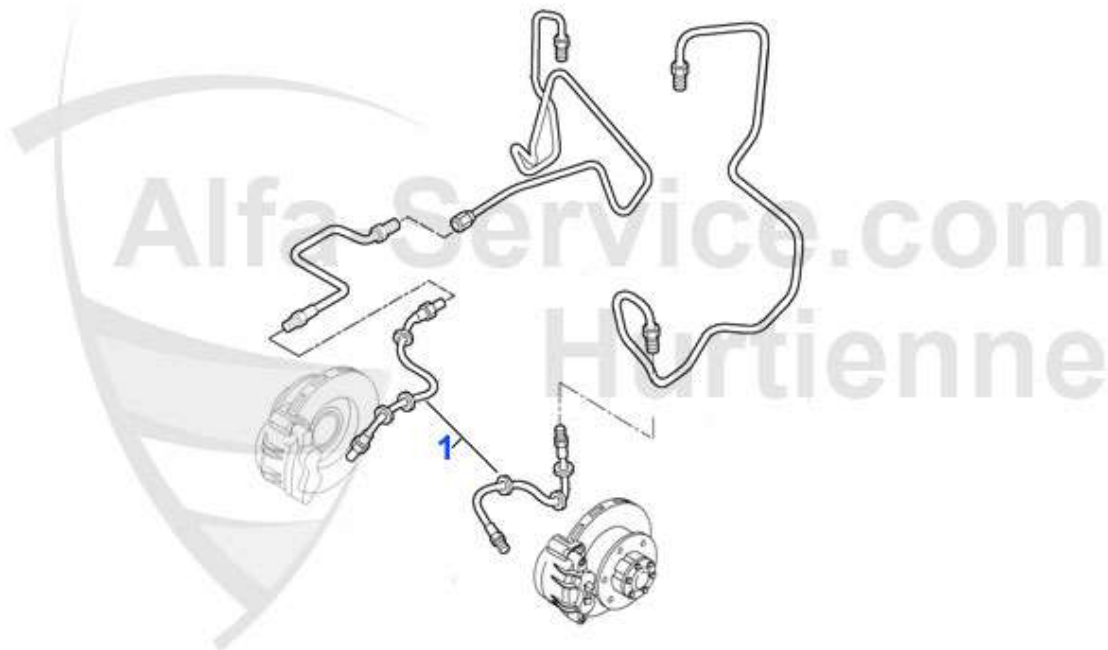
| | | | |
|----------|-----------------|--|------------|
| 1 | BZ416379 | BRAKE CALIPER FL ALFA 159 (05-08) 1,8/1,9JTS/2,2JTS/BRERA 05>/SPIDER 06> | *** |
| 1 | BZ416380 | BRAKE CALIPER FR ALFA 159 (05-08) 1,8/1,9JTS/2,2JTS/BRERA 05>/SPIDER 06>/ | *** |
| 2 | BZ382120 | BRAKE CALIPER RL ALFA 159 1,8JTS/1,9JTS/ 2,2JTS/BRERA 05>/SPIDER 06> | *** |
| 2 | BZ382121 | BRAKE CALIPER RR ALFA 159 (05-08) 1,8JTS/1,9JTS/2,2JTS/BRERA 05>/SPIDER 06 | *** |

159 > BRAKE > HANDBRAKE CABLE



| | | | |
|---|---------|-----------------------------|-----------|
| 1 | HS05370 | HANDBRAKE CABLE RIGHT AR159 | 42.00 EUR |
| 2 | HS05371 | HANDBRKE CABLE LEFT ALFA159 | 42.00 EUR |

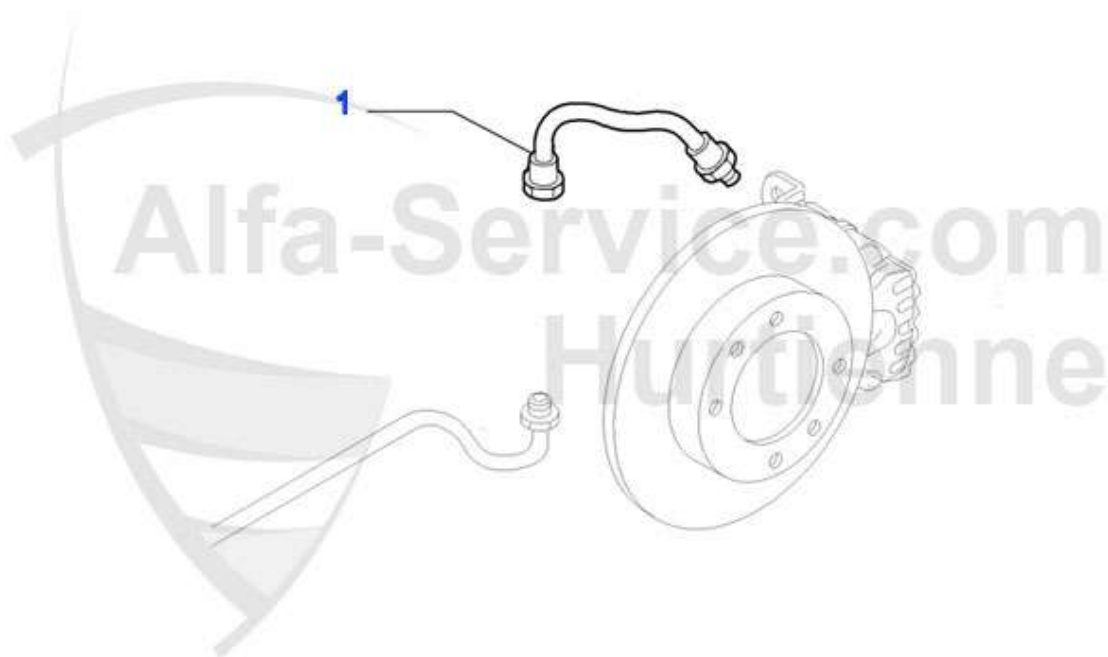
159 > BRAKE > BRAKE HOSE FRONT



1 BS511700 Bremsschlauch vorne 159 (05-08) 1,9BZ/1,9TD/2,2BZ Brera/Spider 2,2BZ
(05-08)

22.00 EUR

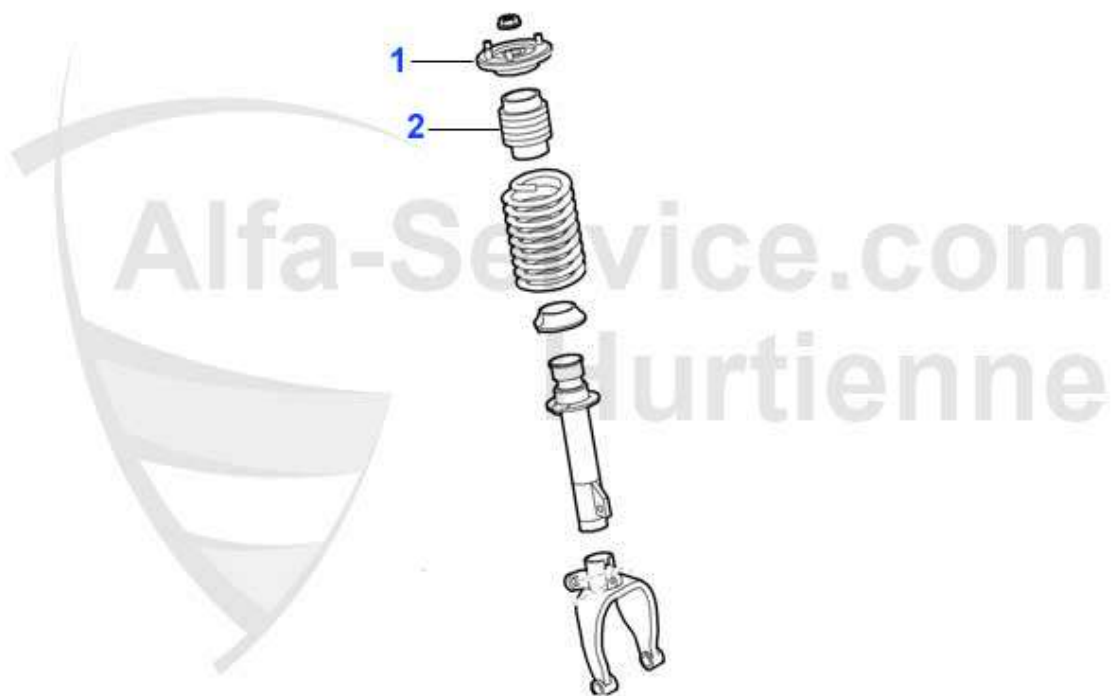
159 > BRAKE > BRAKE HOSE REAR



1 BS511710 Bremsschlauch hinten 159 1,9BZ/1,9TD/2,2BZ (05-10) Brera/Spider
(05-10)

21.00 EUR

159 > SUSPENSION > STRUT FRONT



| | | | |
|---|----------|--|-----------|
| 1 | FBL07110 | ELASTIC PAD AR159/BRERA/SPIDER 06< (LEFT AND RIGHT ARE THE SAME) | 40.96 EUR |
| 2 | SK07987 | DUST CAP FRONT SPRING STRUT AR 159, BRERA,SPIDER 05-10 | 19.50 EUR |

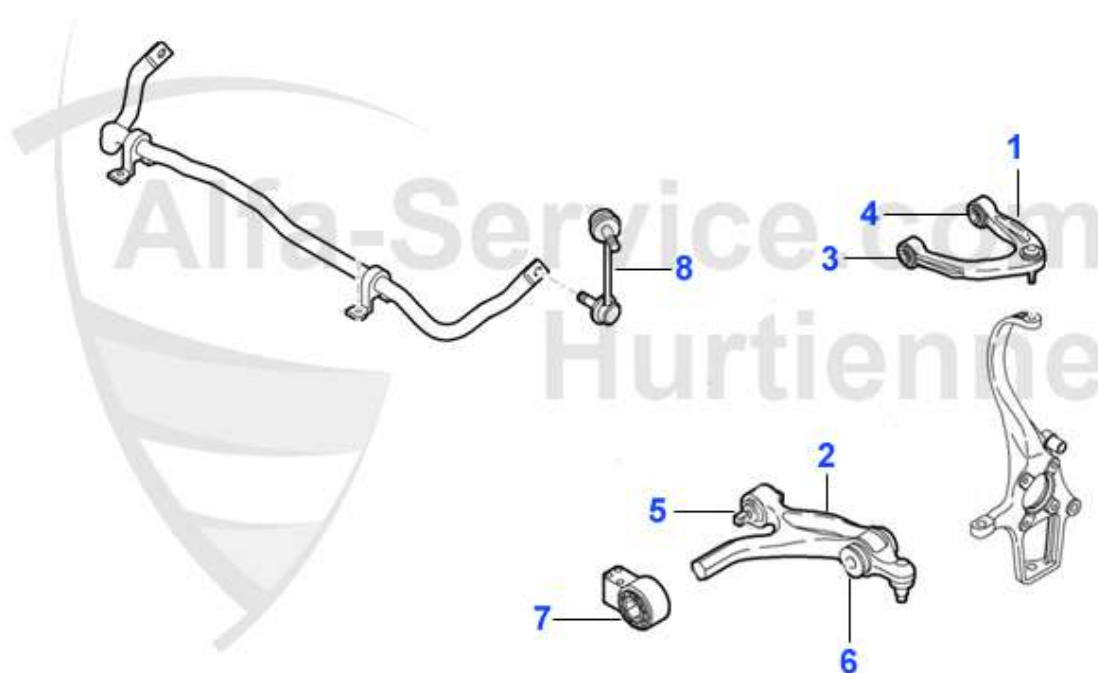
159 > SUSPENSION > STRUT REAR



1 SK04752 REAR DUST CAP AR159,BRERA,SPIDER 05-10 (SPING STRUT)

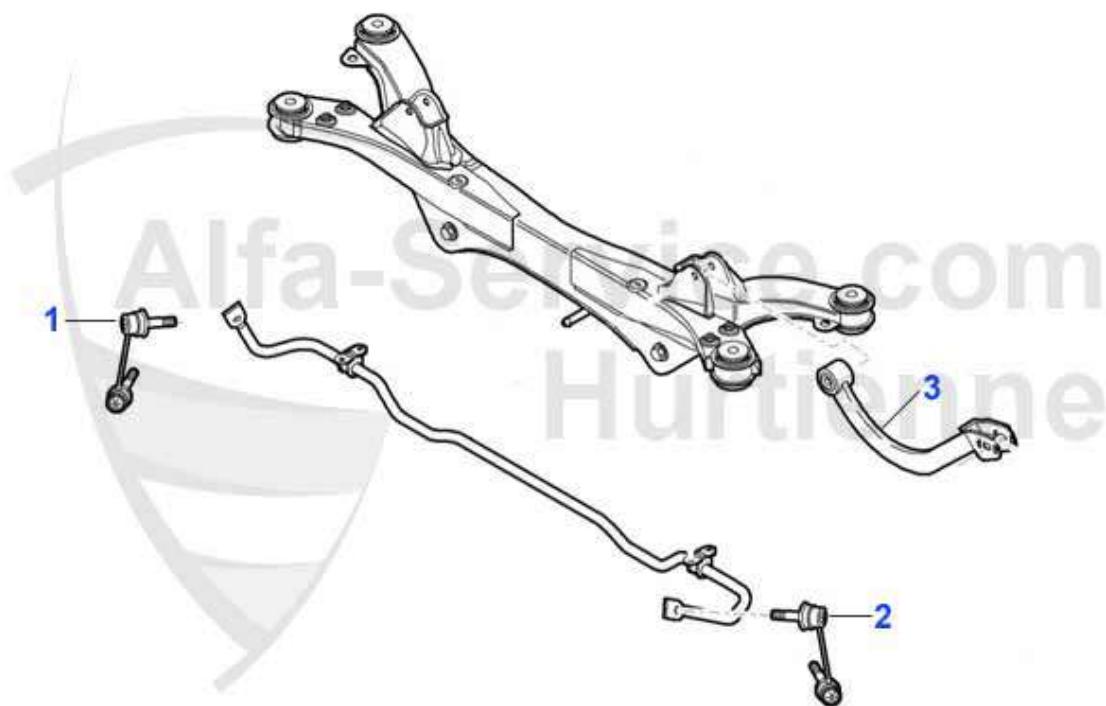
15.01 EUR

159 > SUSPENSION > ATTACHMENT FRONT



| | | | |
|---|---------|--|------------|
| 1 | QL040 | CONTROL ARM 159 FRONT UPPER LEFT (BRERA, SPIDER STARTING FROM 2009) | *** |
| 1 | QL039 | CONTROL ARM FRONT UPPER RIGHT 159 (05-08),Brera 05-10,Spider 06-10 | 89.00 EUR |
| 1 | QL038 | CONTROL ARM FRONT UPPER LEFT 159,Brera 05-10,Spider 06-10 | 89.00 EUR |
| 1 | QL041 | CONTROL ARM 159 FRONT UPPER RIGHT (BRERA,SPIDER STARTING FROM 2009) | *** |
| 2 | QL029 | Querlenker unten links Alfa 159 Brera und Spider 06-10 | 149.00 EUR |
| 2 | QL030 | Querlenker unten rechts Alfa 159 Brera und Spider 06-10 | 149.00 EUR |
| 3 | AB40801 | Silentbuchse oberer Querlenker VA vorne AR 159, Brera+Spider (05-10) | *** |
| 4 | AB40802 | Silentbuchse oberer Querlenker VA hinten AR 159, Brera+Spider (05-10) | *** |
| 5 | AB40803 | Silentbuchse unterer Querlenker VA am Rahmen hinten AR 159,Brera, Spider 06-10 | *** |
| 6 | AB40804 | Silentbuchse Querlenker unten VA Aufnahme Federbein AR 159, Brera, Spider 06-10 | *** |
| 7 | QL1909 | Befestigungsbuchse rechts unterer Querlenker am Rahmen AR 159 Brera (05-10) Spider (06-10) | 89.00 EUR |
| 7 | QL1908 | Befestigungsbuchse links unterer Querlenker am Rahmen AR 159 Brera (05-10) Spider (06-10) | 89.00 EUR |
| 8 | SS1508 | Pendelstütze VA rechts AR 159 Brera (05-10) Spider (06-10) | 30.00 EUR |
| 8 | SS1509 | Pendelstütze VA links AR 159 Brera (05-10) Spider (06-10) | 30.00 EUR |

159 > SUSPENSION > ATTACHMENT REAR



| | | | |
|---|--------|--|-----------|
| 1 | SS1507 | Pendelstütze HA rechts AR 159 Brera (05-10) Spider (06-10) | 28.00 EUR |
| 2 | SS1506 | Pendelstütze HA links AR 159 Brera (05-10) Spider (06-10) | 28.00 EUR |
| 3 | SS1505 | Zugstrebe HA seitlich AR159 Brera (05-10) Spider (06-10) | 70.00 EUR |



1 RL16035 WHEEL BEARING FRONT AR 159 (05-11) BRERA (05-10) , SPIDER (06-10)

190.00 EUR

159 > STEERING > STEERING PARTS



| | | | |
|---|----------|---|-----------|
| 1 | AG1305 | Axialgelenk AR159,Brera,Spider | *** |
| 2 | SSK63706 | TRACK ROD END LEFT AR159 (05-08) BRERA (05-10) SPIDER (06-10) | 22.40 EUR |
| 3 | SSK63707 | TRACK ROD END AR159 (05-08) BRERA (05-10) SPIDER (06-08) | 22.40 EUR |
| 4 | LMS63705 | STEERING SLEEVE 159(05-08),BRERA 05<, SPIDER 06< | 19.00 EUR |

159 > ELECTRIC > FUSE



| | | | |
|---|--------|----------------------------|--------------|
| 1 | FSI075 | Flachsteck-Sicherung 7,5 A | 0.20 EUR |
| 2 | FSI010 | Flachsteck-Sicherung 10 A | 0.20 EUR |
| 3 | FSI020 | Flachsteck-Sicherung 20 A | 0.20 EUR |
| 4 | FSI025 | Flachsteck-Sicherung 25 A | 0.20 EUR |
| 5 | FSI030 | Flachsteck-Sicherung 30 A | 0.20 EUR *** |



1 RFS9099 REVERSING LIGHT SWITCH 159,BRERA,SPIDER, MITO

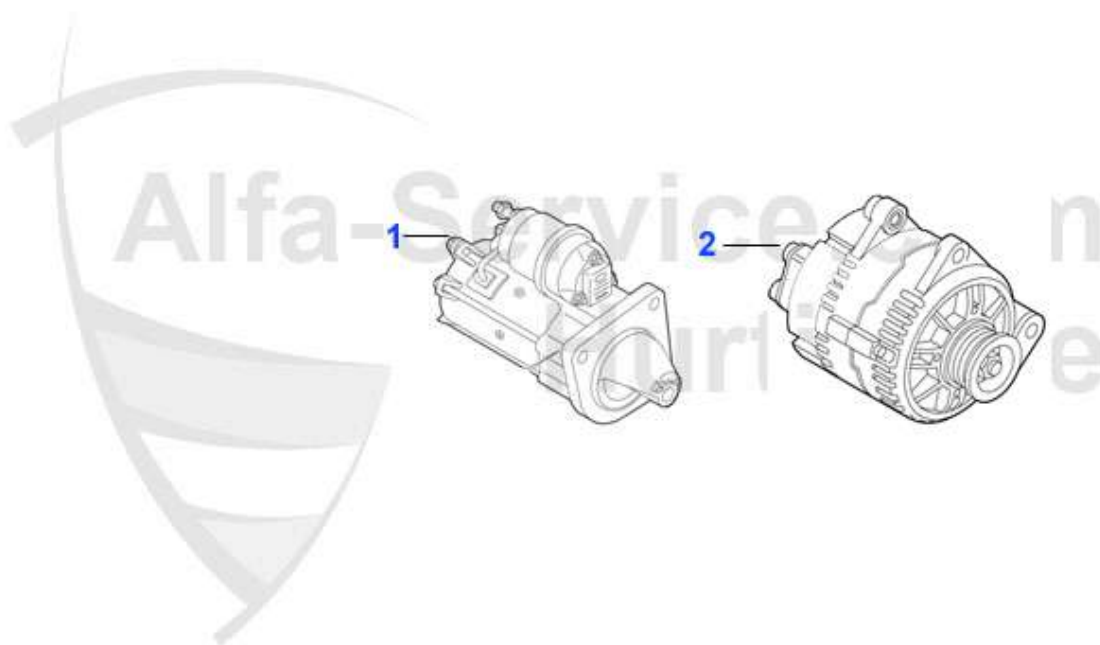
7.43 EUR



1 ZS011 Zündspulenleiste AR 159, Brera, Spider 2,2JTS (05-10)

197.99 EUR

159 > ELECTRIC > ENGINE ELECTRIC > AGGREGATS



| | | | |
|---|---------|---|------------|
| 1 | AN82321 | STARTER AR 159 1,9 JTD 05-08 | 250.00 EUR |
| 1 | AN82360 | Anlasser 159(05-10) 1,8 16V 130PS AT-Teil mit Pfand | 338.00 EUR |
| 1 | AN82350 | Anlasser 159(05-10) 1,8 16V 130PS Neuteil ohne Pfand | 540.00 EUR |
| 1 | AN82340 | Anlasser 159, Brera, Spider (05-10) 3,2 V6 AT-Teil mit Pfand | 275.00 EUR |
| 1 | AN82330 | Anlasser 159, Brera, Spider (05-10) 3,2 V6 Neuteil ohne Pfand | 390.00 EUR |
| 1 | AN82322 | Anlasser 159 1,9JTD (05-08) MITO (08-11) GT (03-10) AT-Teil mit Pfand | 250.00 EUR |
| 1 | AN83906 | Anlasser AR 159 2.2JTS + 1,9JTS auch Brera + Spider 05-10 AT-Teil mit Pfand | 249.00 EUR |
| 2 | LI4310 | Lichtmaschine 159, Brera, Spider(05-10) 3,2 V6 Neuteil kein Pfand | 600.00 EUR |
| 2 | LI4260 | Lichtmaschine 159, Brera, Spider, 2,2JTS (Neuteil kein Pfand) | 420.00 EUR |
| 2 | LI4280 | Lichtmaschine 159, Brera, Spider, 2,2JTS (AT-Teil m. Pfand) | 258.00 EUR |
| 2 | LI4290 | Lichtmaschine 159, Brera, Spider 05-10 1,9JTS Neuteil kein Pfand | 428.00 EUR |
| 2 | LI4390 | Lichtmaschine 159, Brera, Spider (05-10) 2,4JTD 20V AT-Teil mit Pfand | 310.00 EUR |
| 2 | LI4380 | Lichtmaschine 159, Brera, Spider(05-10) 2,4JTD 20V Neuteil ohne Pfand | 500.00 EUR |
| 2 | LI4370 | ALTERNATOR 159, BRERA, SPIDER (05-10), MITO FROM 2011, NEW PART | 410.00 EUR |
| 2 | LI4360 | Lichtmaschine 159, Brera, Spider (05-10) MITO ab 2011 1,9 JTD 8V AT-Teil m. Pfand | 290.00 EUR |
| 2 | LI4300 | Lichtmaschine 159, Brera, Spider 05-10 1,9JTS AT-Teil mit Pfand! | 258.00 EUR |
| 2 | LI4340 | Lichtmaschine 159 1,8 16V (05-10) AT-Teil mit Pfand | 300.00 EUR |
| 2 | LI4330 | Lichtmaschine 159 1,816V (05-10) Neuteil kein Pfand | 450.00 EUR |
| 2 | LI4320 | Lichtmaschine 159, Brera, Spider (05-10) 3,2 V6 AT-Teil mit Pfand | 369.99 EUR |
| 2 | LI4350 | ALTERNATOR 159, BRERA, SPIDER (05-10), MITO FROM 2011 1.9 JTD 8V, NEW PART | 410.00 EUR |

159 > INTERIOR > CAR MAT



| | | | |
|---|----------------|--|-----------|
| 1 | FMS 159 | FLOOR MATS 159 >04/08 BLACK/RED EMBLEM LATEX BACK SURFACE | 61.04 EUR |
| 1 | FMS 159 NEU | FLOOR MATS 159 STARTING FROM 05/08 BLACK/RED EMBLEM, WITH ORIGINAL ALFA MOUNTING KIT | 74.49 EUR |