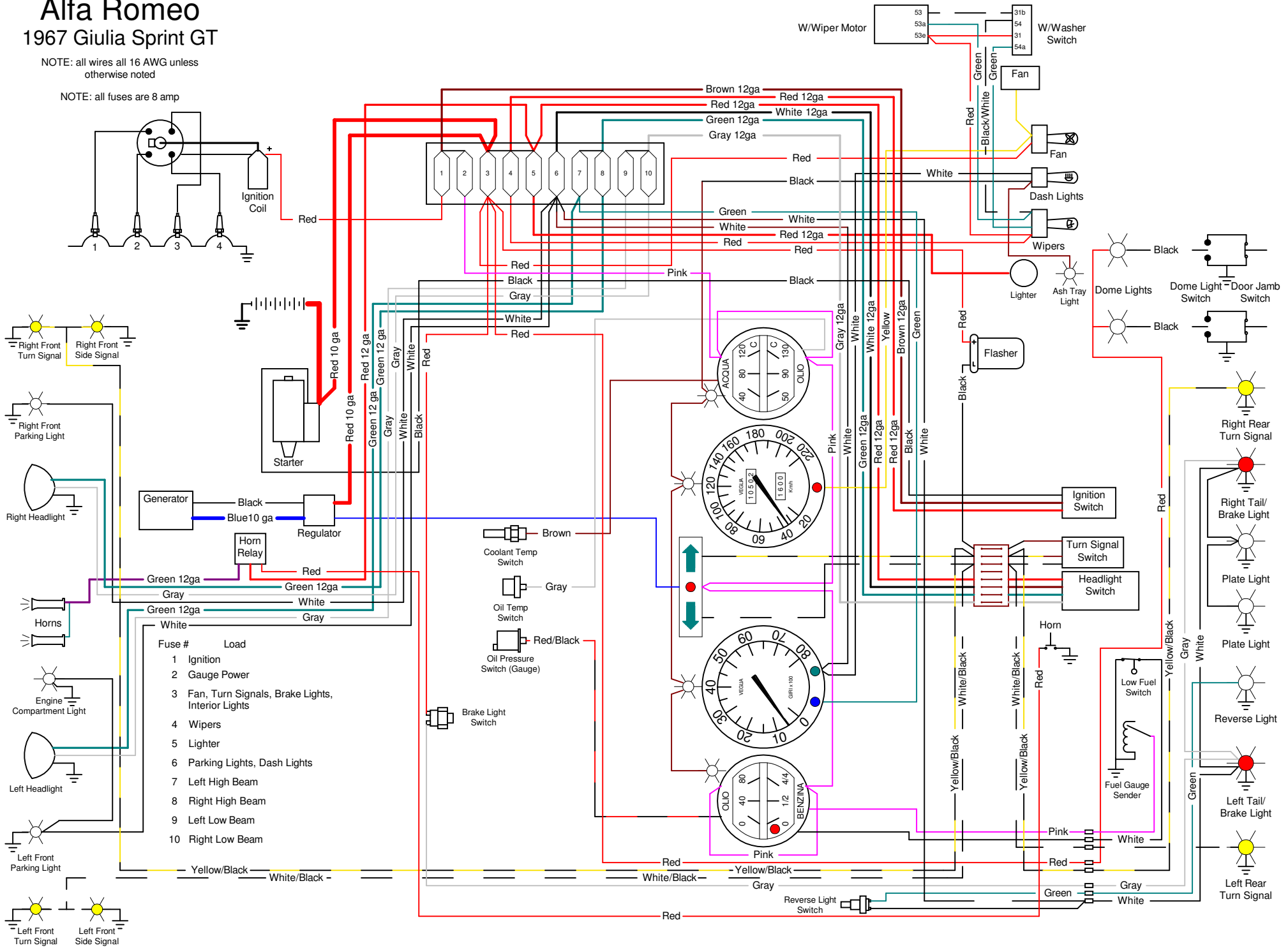


# Alfa Romeo 1967 Giulia Sprint GT

NOTE: all wires all 16 AWG unless otherwise noted

NOTE: all fuses are 8 amp



| Fuse # | Load   |
|--------|--|
| 1      | Ignition   |
| 2      | Gauge Power                                      |
| 3      | Fan, Turn Signals, Brake Lights, Interior Lights |
| 4      | Wipers   |
| 5      | Lighter  |
| 6      | Parking Lights, Dash Lights                      |
| 7      | Left High Beam                                   |
| 8      | Right High Beam                                  |
| 9      | Left Low Beam                                    |
| 10     | Right Low Beam                                   |