

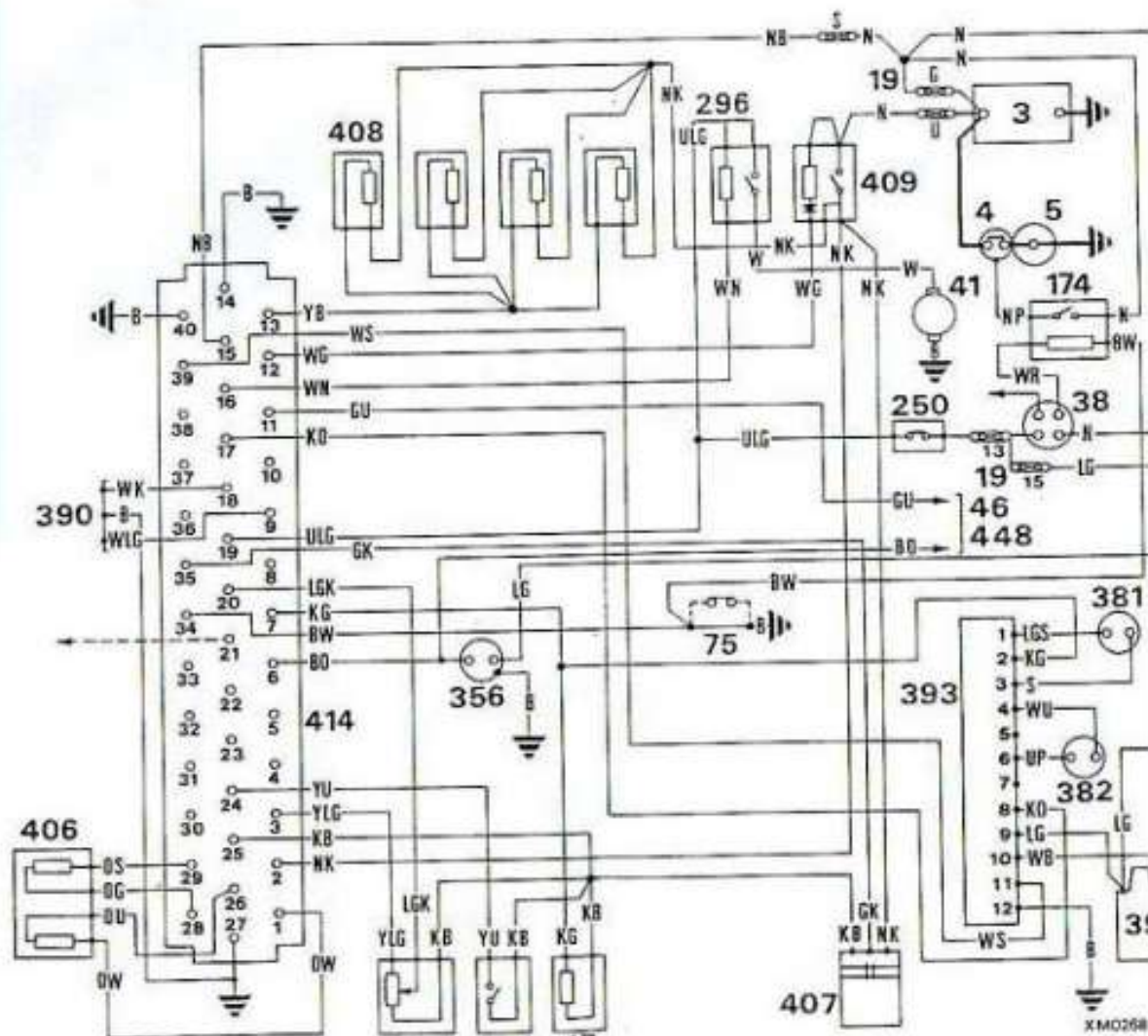
# Morgan Plus 4 Rover M16 1987-

408	Injectors	393	Programmed ignition ECU
296	Fuel pump relay	386	Crankshaft sensor
19	Fuse	39	Ignition coil
3	Battery	407	Air flow meter
409	Main relay	75	Automatic gearbox inhibitor switch
4	Starter relay	356	Vehicle speed sensor
5	Starter motor	47	Coolant temperature sensor
41	Fuel pump	404	Fuel temperature sensor
174	Starter solenoid	405	Throttle potentiometer
250	Inertia switch	414	Fuel injection ECU
38	Ignition switch	406	Stepper motor
46	Temperature gauge	390	Diagnostic link
448	Speedometer		
381	Knock sensor		

B=BLACK  
 P=PURPLE  
 G=GREEN  
 R=RED  
 K=PINK  
 S=SLATE  
 L=LIGHT  
 U=BLUE  
 N=BROWN  
 W=WHITE  
 O=ORANGE  
 Y=YELLOW

PLUS 4  
 Rover M16  
 ELECTRIC PAGE 2

**HOT-WIRE  
 EFI**



XMO268