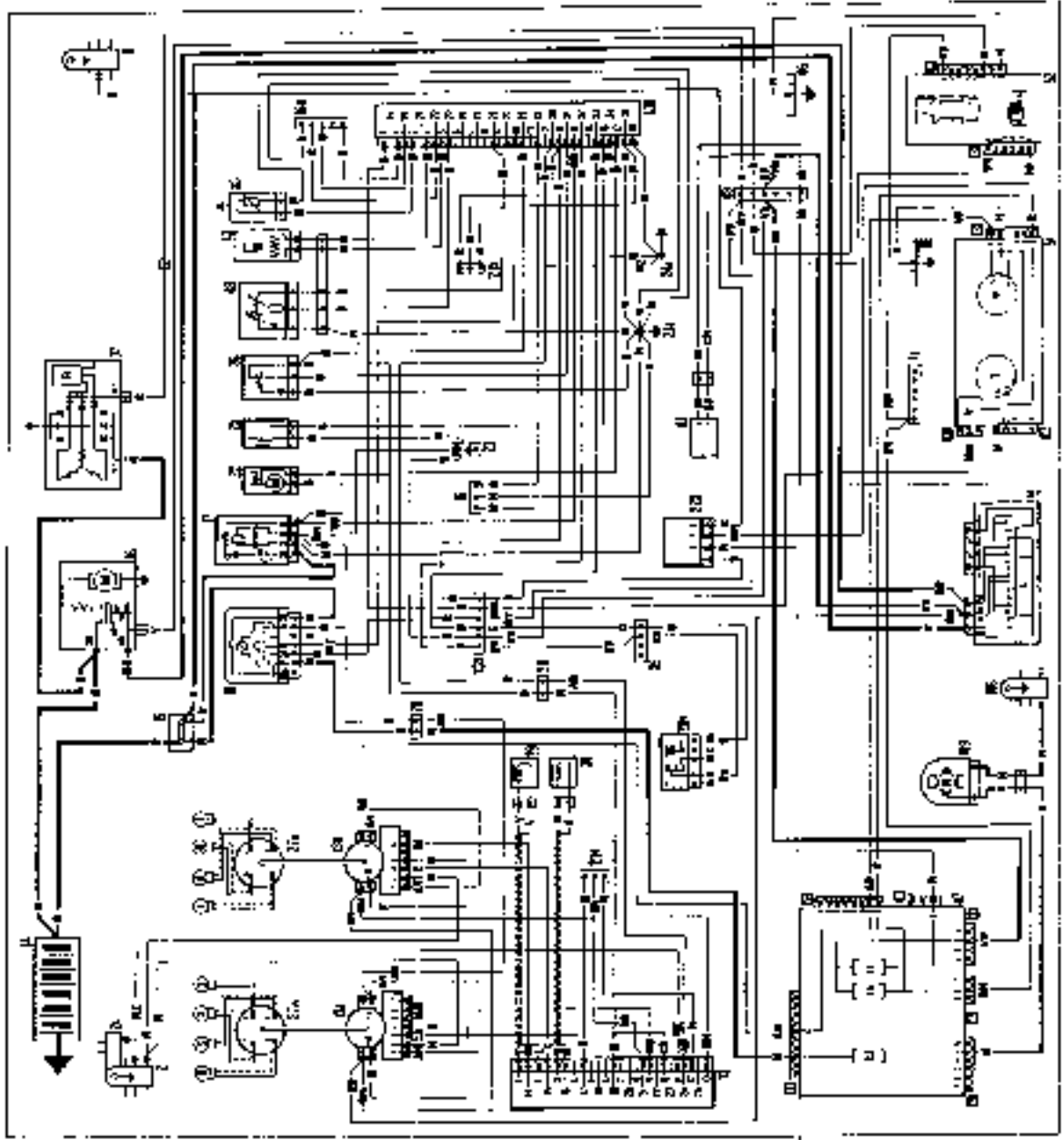
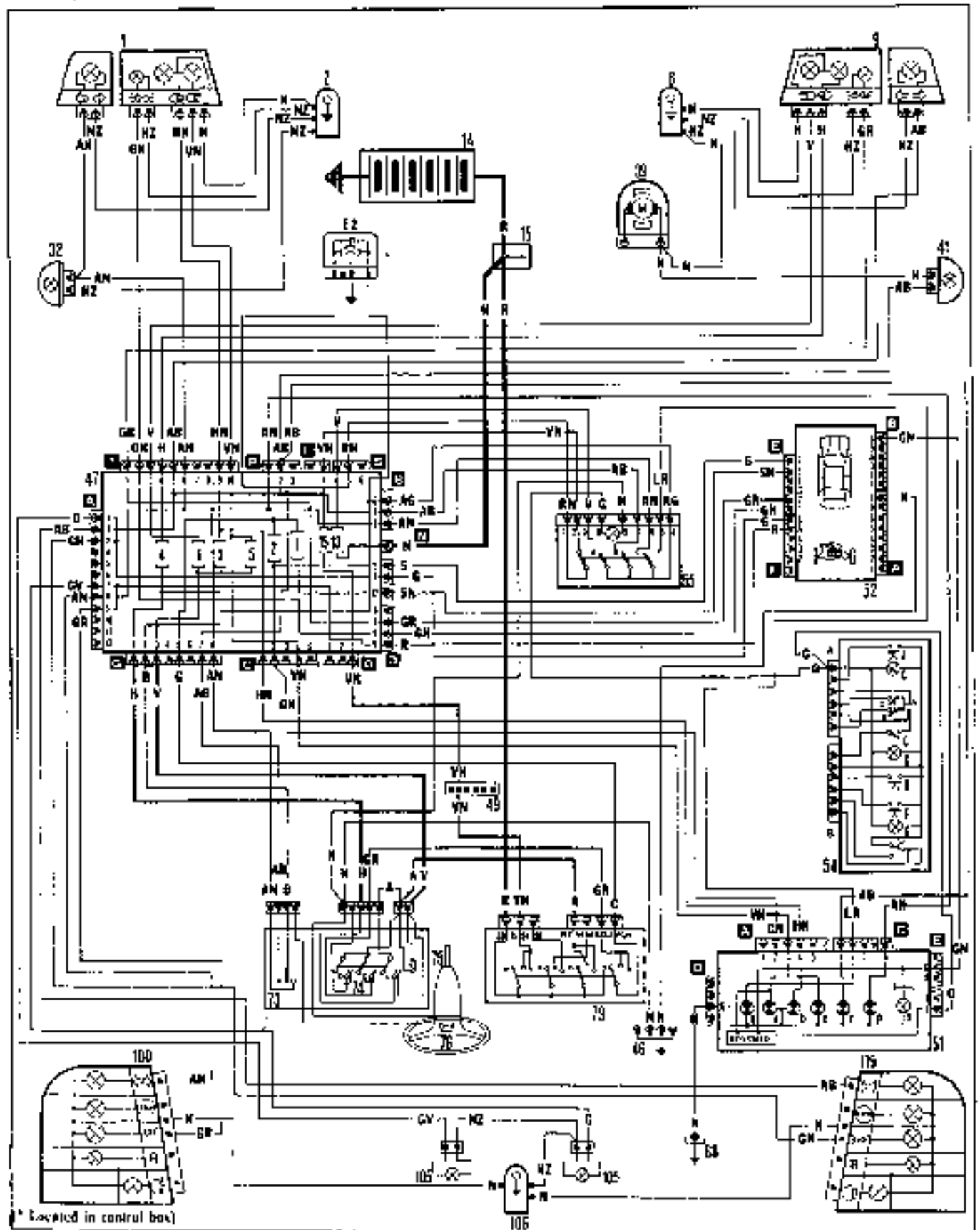


Starting - Recharging - Ignition - ME5-Jetronic fuel injection - Rev counter - Speedometer. (See page 19 for key)

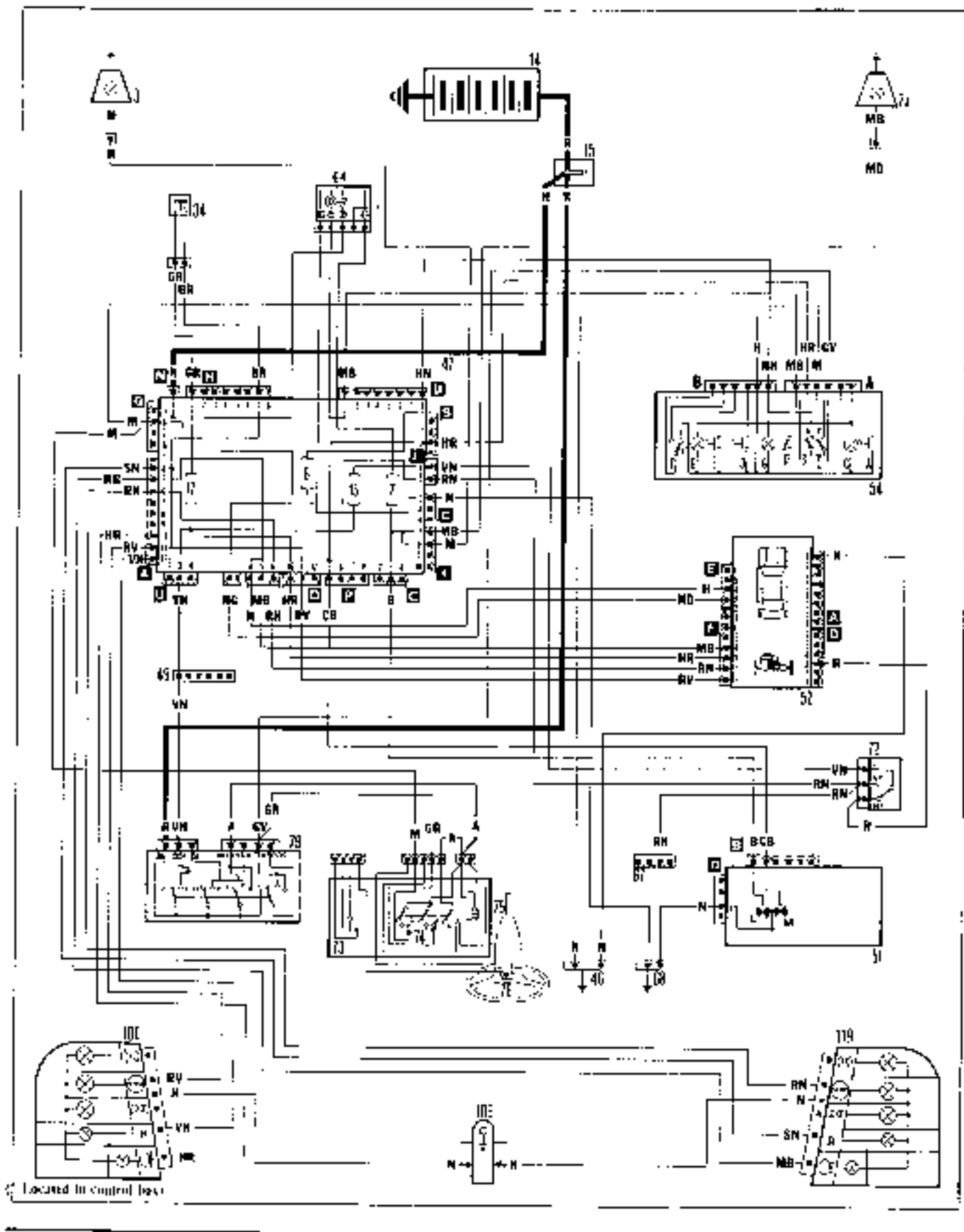


No. plate lights - Side lights and warning light - Dipped headlamps and warning light - Main beam headlamps and warning light - Driving lights - Direction indicators and warning light - Hazard warning lights and warning light - Instrument panel, control panel and Control System display panel light. (See page 19 for key)

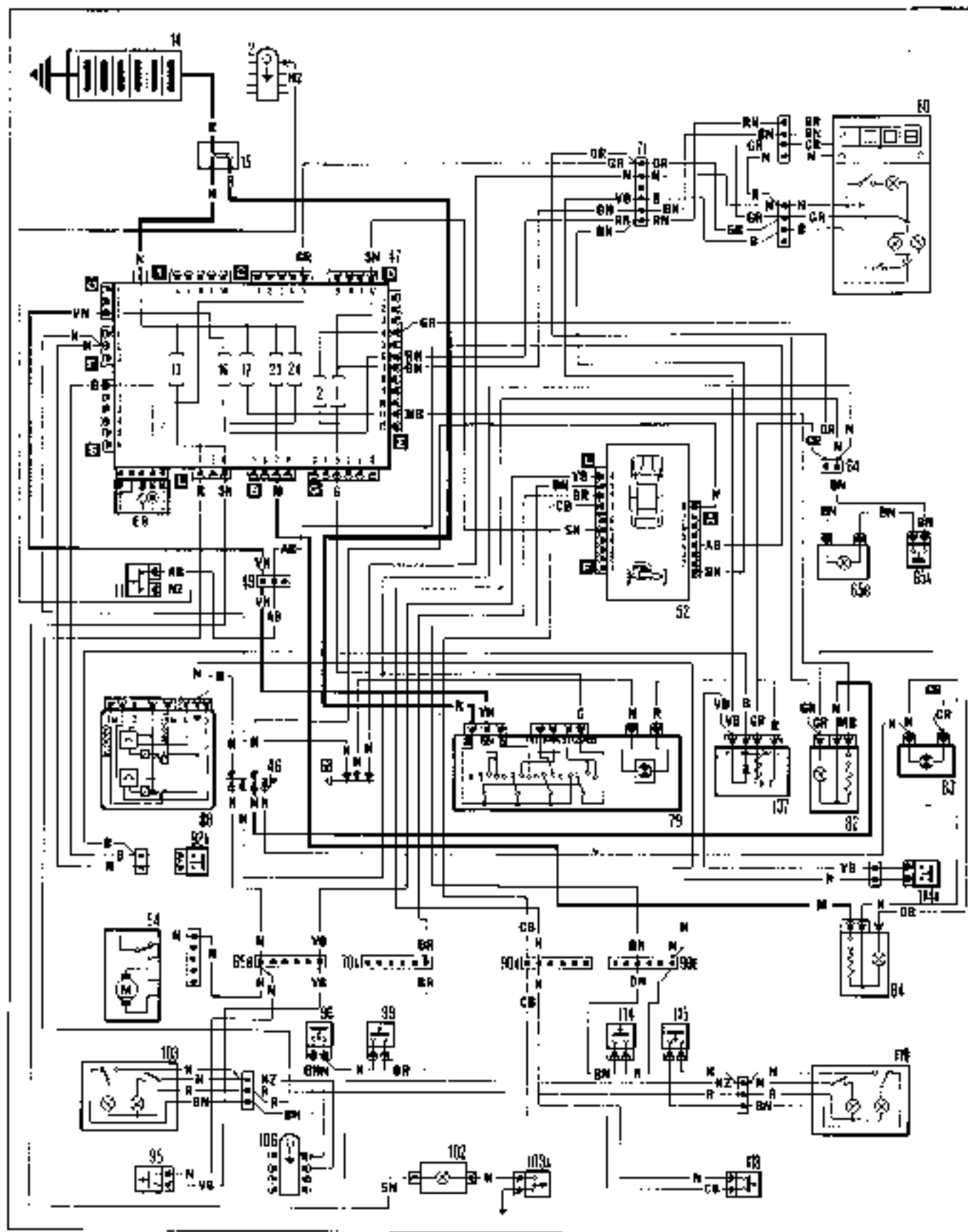


55.

Fog lamps and warning light - Rear fog lamps and warning light - Reversing lights - Stop lights. (See page 19 for key)

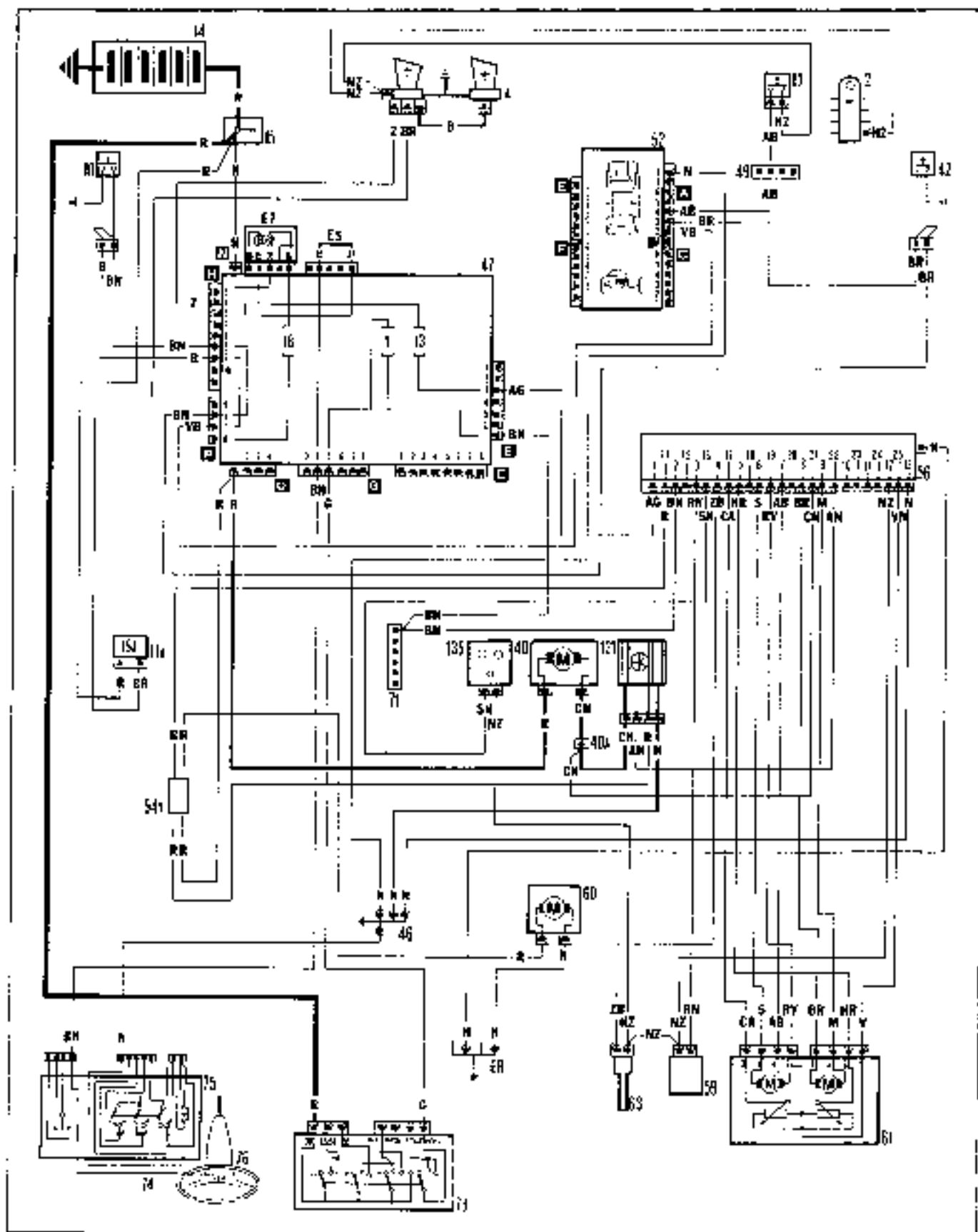


Courtesy lights - Glove compartment light - Luggage compartment light - Front and rear cigar lighter - Digital clock - Ignition switch light. (See page 10 for key)

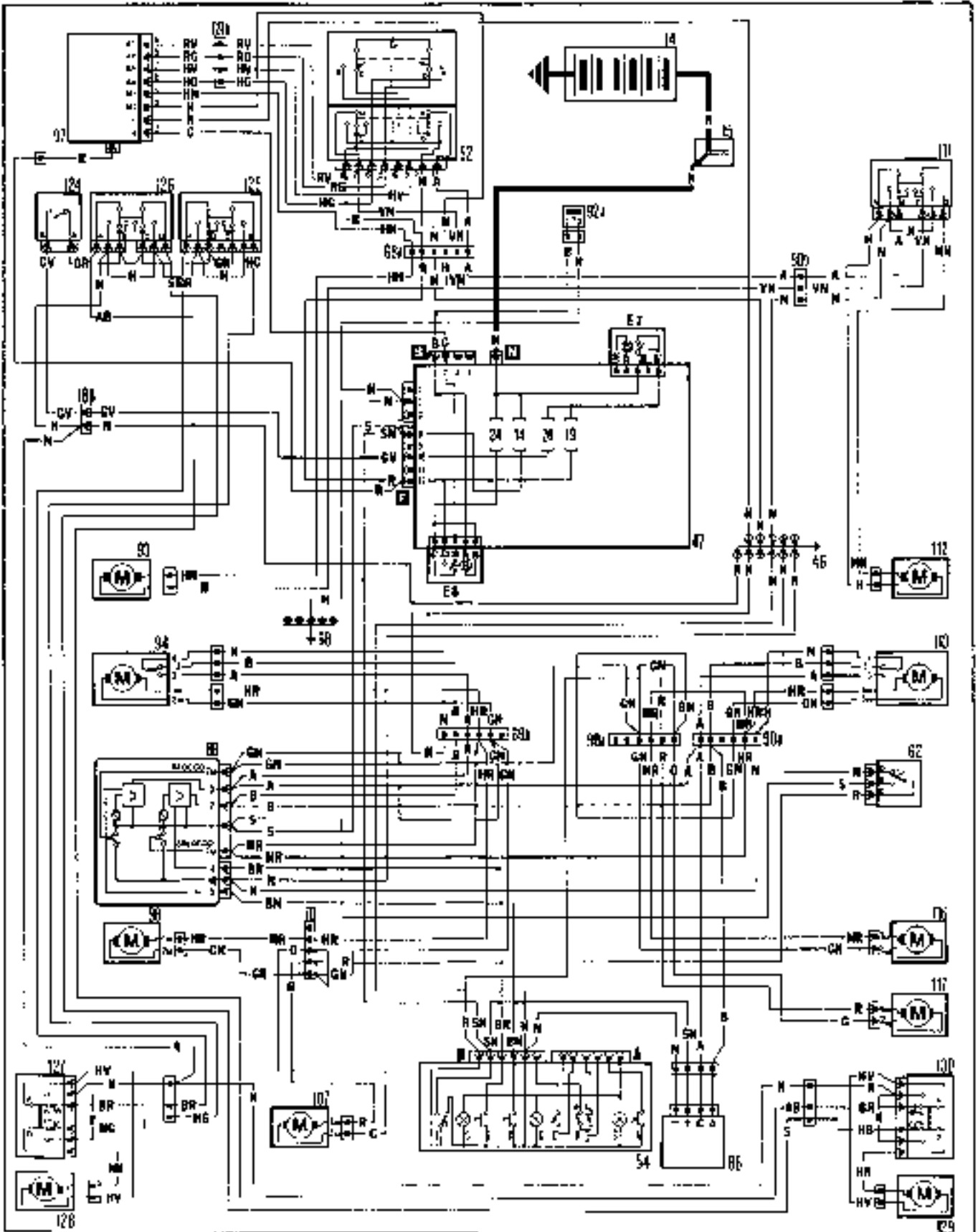


55.

Automatic heater - Horns - Brake fluid level - Front brake pad wear. (See page 19 for key)

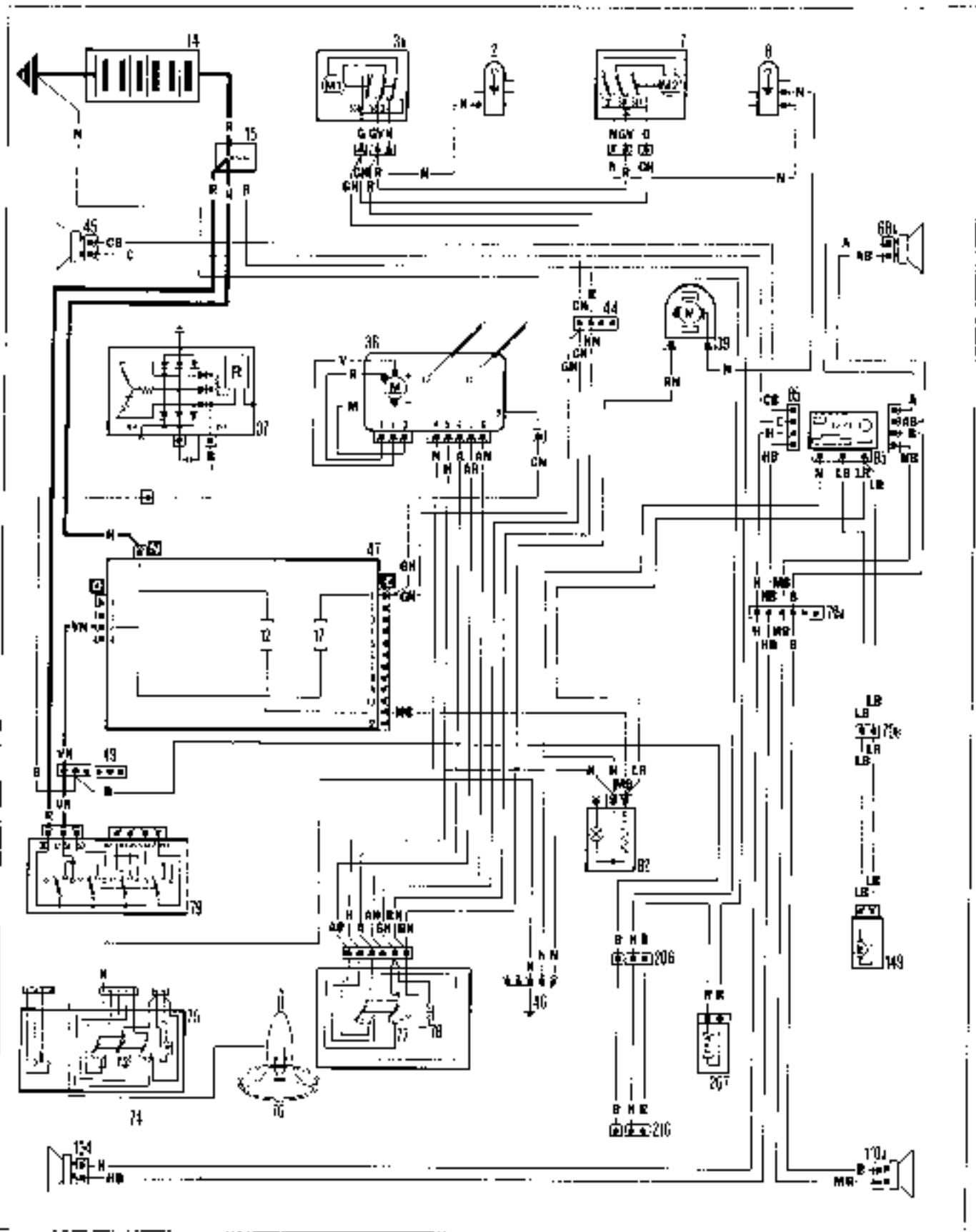


Electric front and rear windows - Central locking for doors, luggage compartment, bonnet and fuel filler cap controlled from a distance. (See page 19 for key)

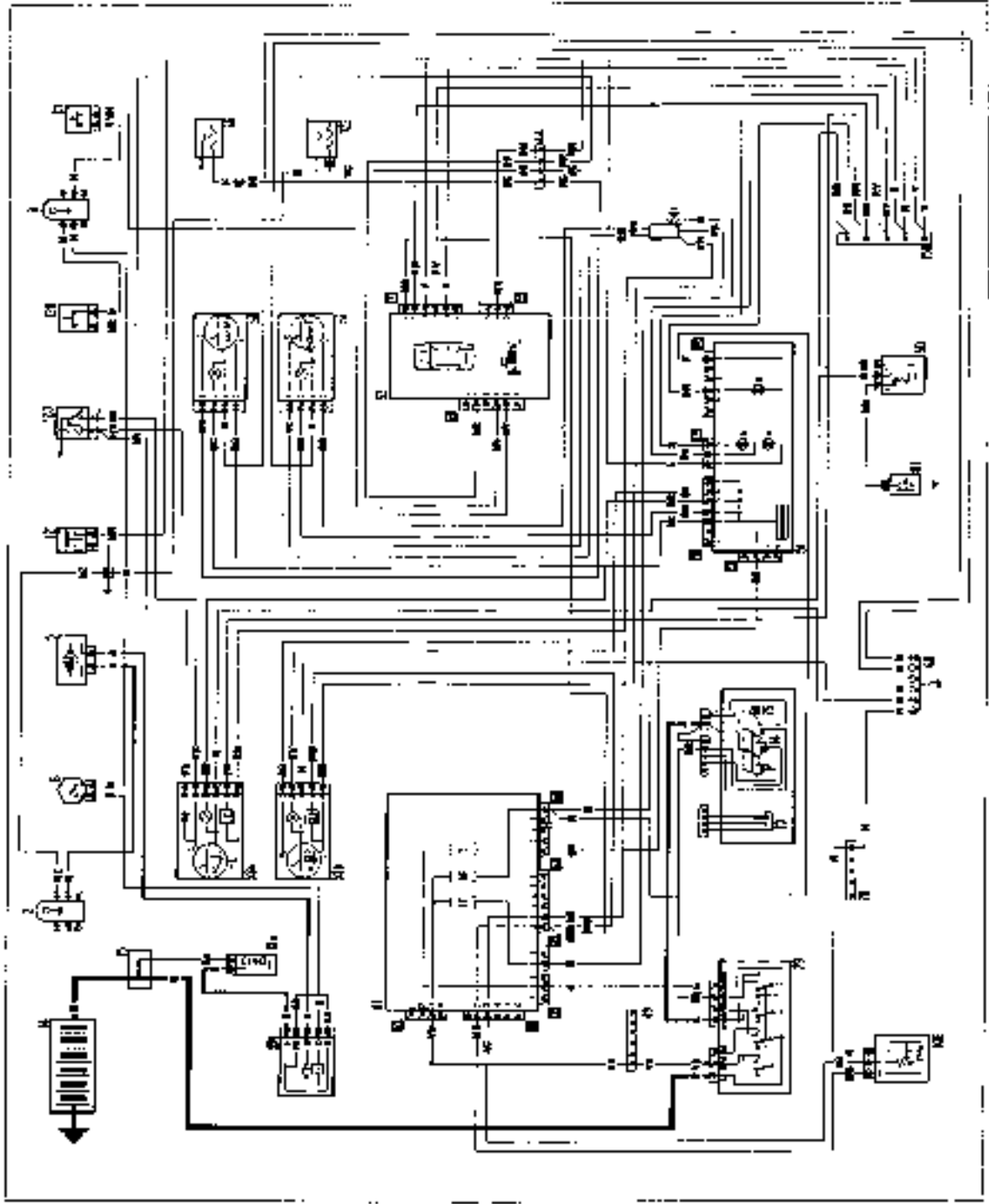


55.

Windscreen wiper - Headlamp wiper - Electric windscreen washer and headlamp washer pump - Radio wiring - Radio telephone wiring. (See page 19 for key)



Engine cooling radiator - Fuel pump and reserve warning light - Fuel tank temperature gauge and overheat warning light - Insufficient coolant level - Engine oil pressure gauge - Engine oil temperature gauge - Insufficient engine oil pressure - Insufficient engine oil level - Diagnostic socket - Handbrake warning light (See page 49 for key)



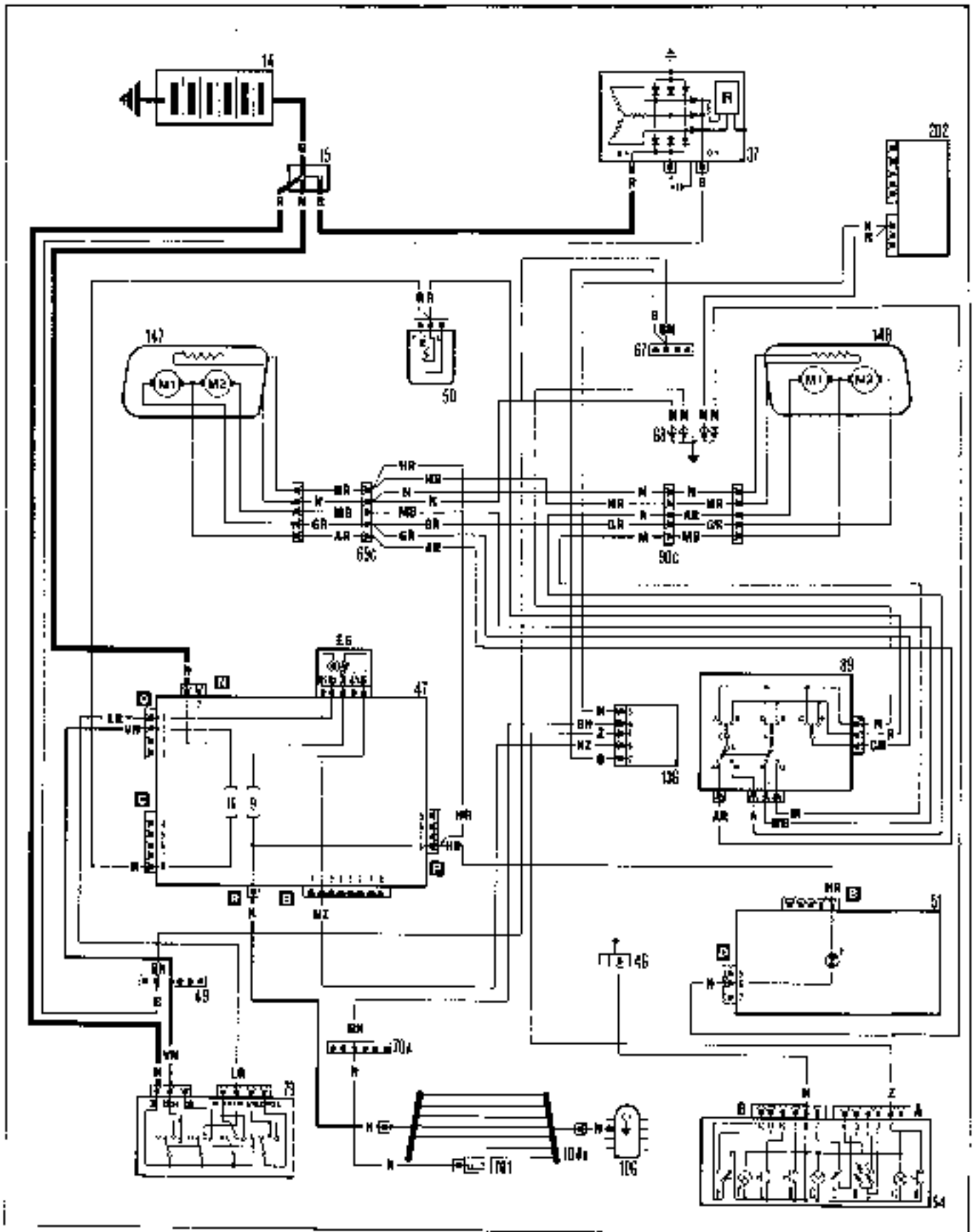
--

-

-

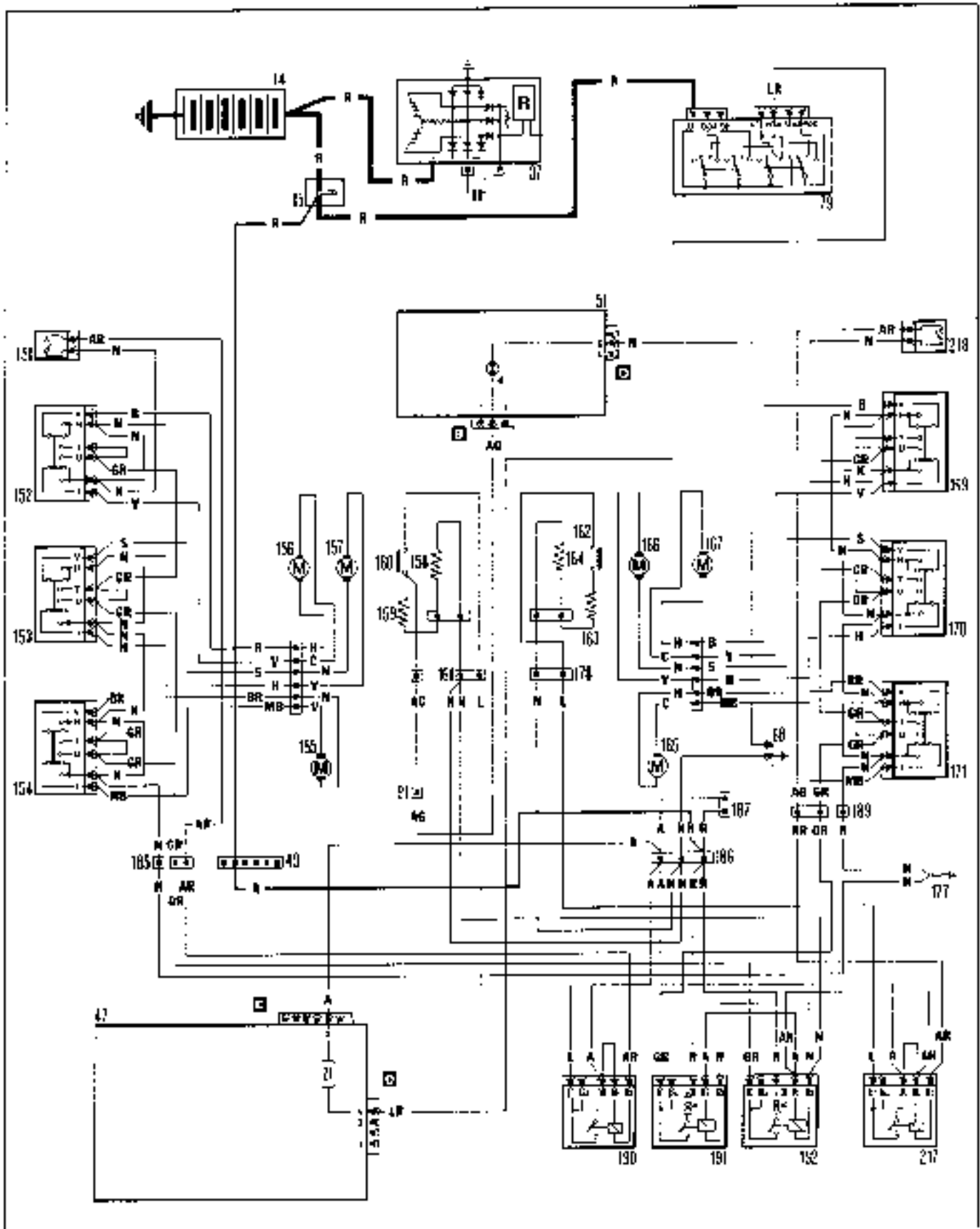
--

Electrically adjustable external rear view mirrors - Heated rear windscreens. (See page 19 for key)

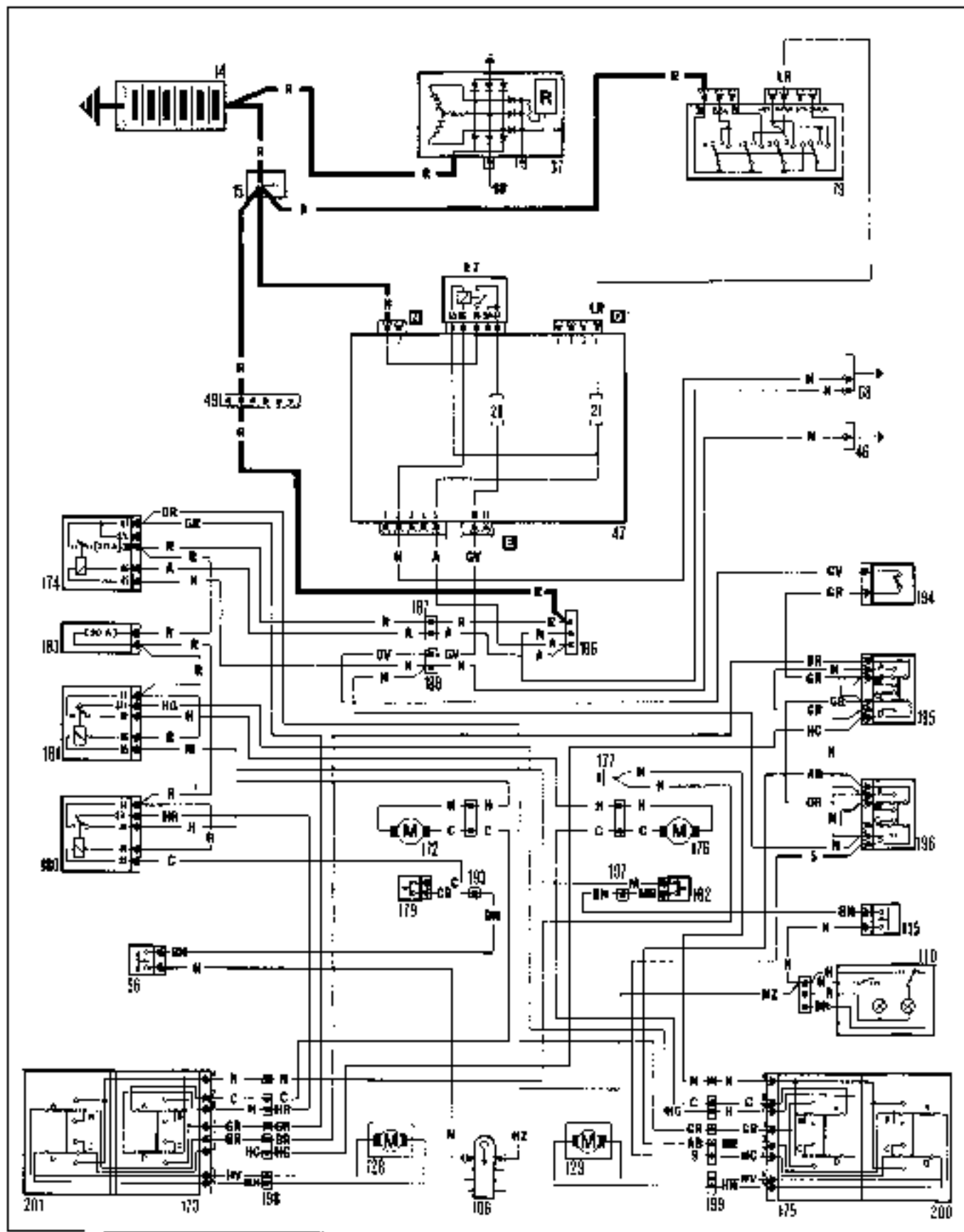


55.

Electrically adjustable heated front seats. (See page 10 for key)

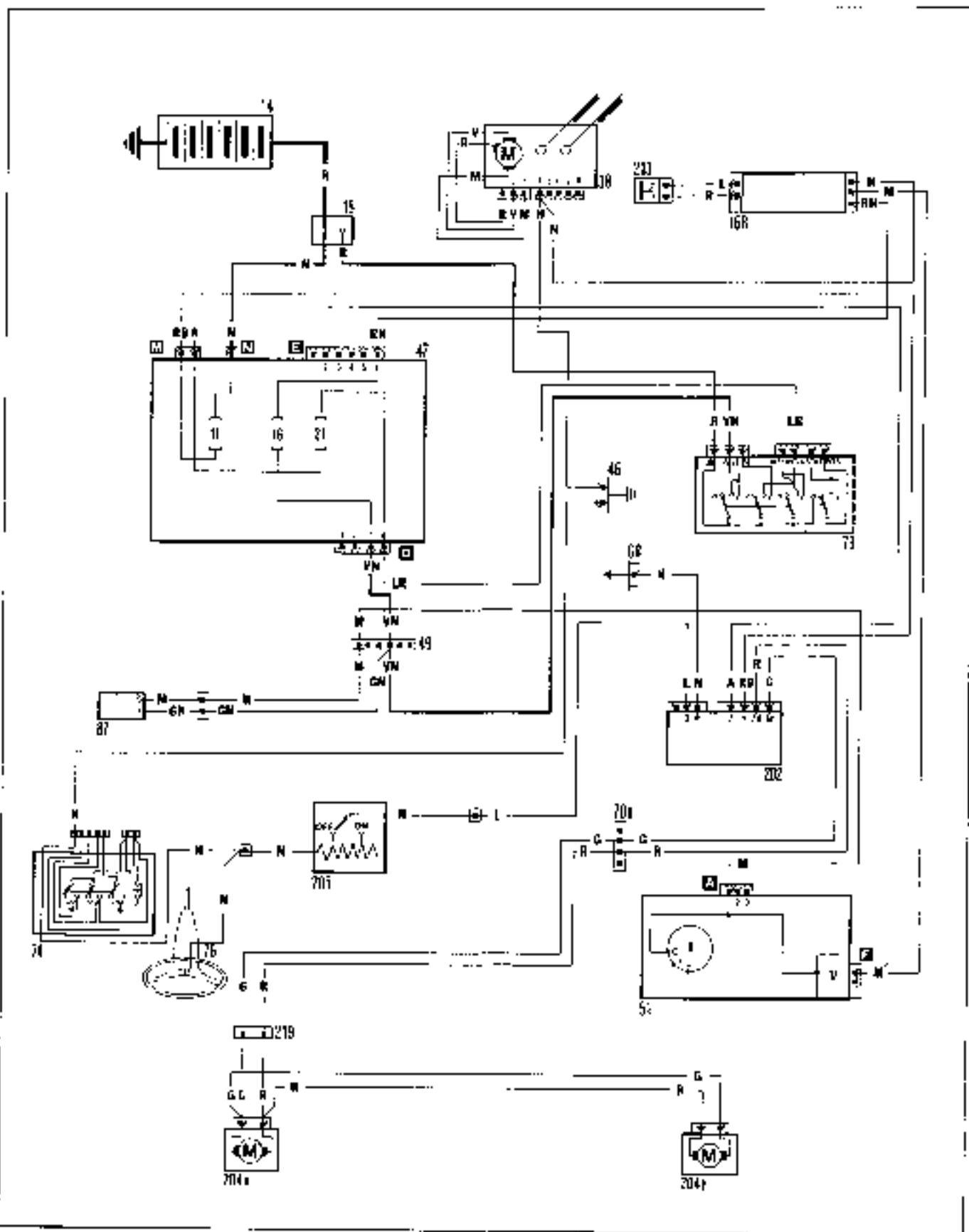


Electrically adjustable rear seats which move back as the doors open • Electric rear windows. (See page 19 for key)

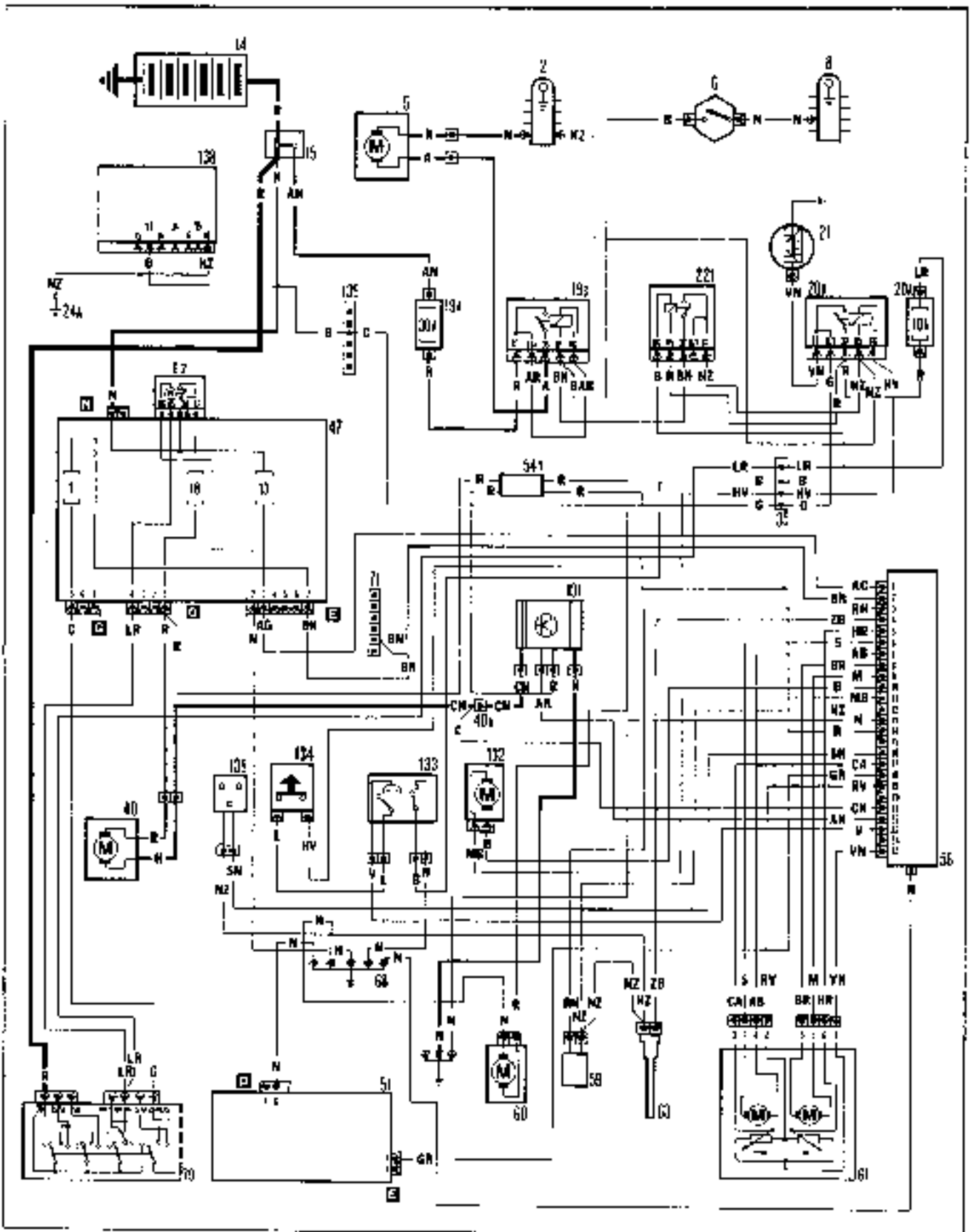


55.

Manually operated spoiler - Automatic device for hardening steering at high speeds (Servotronic). (See page 19 for key)

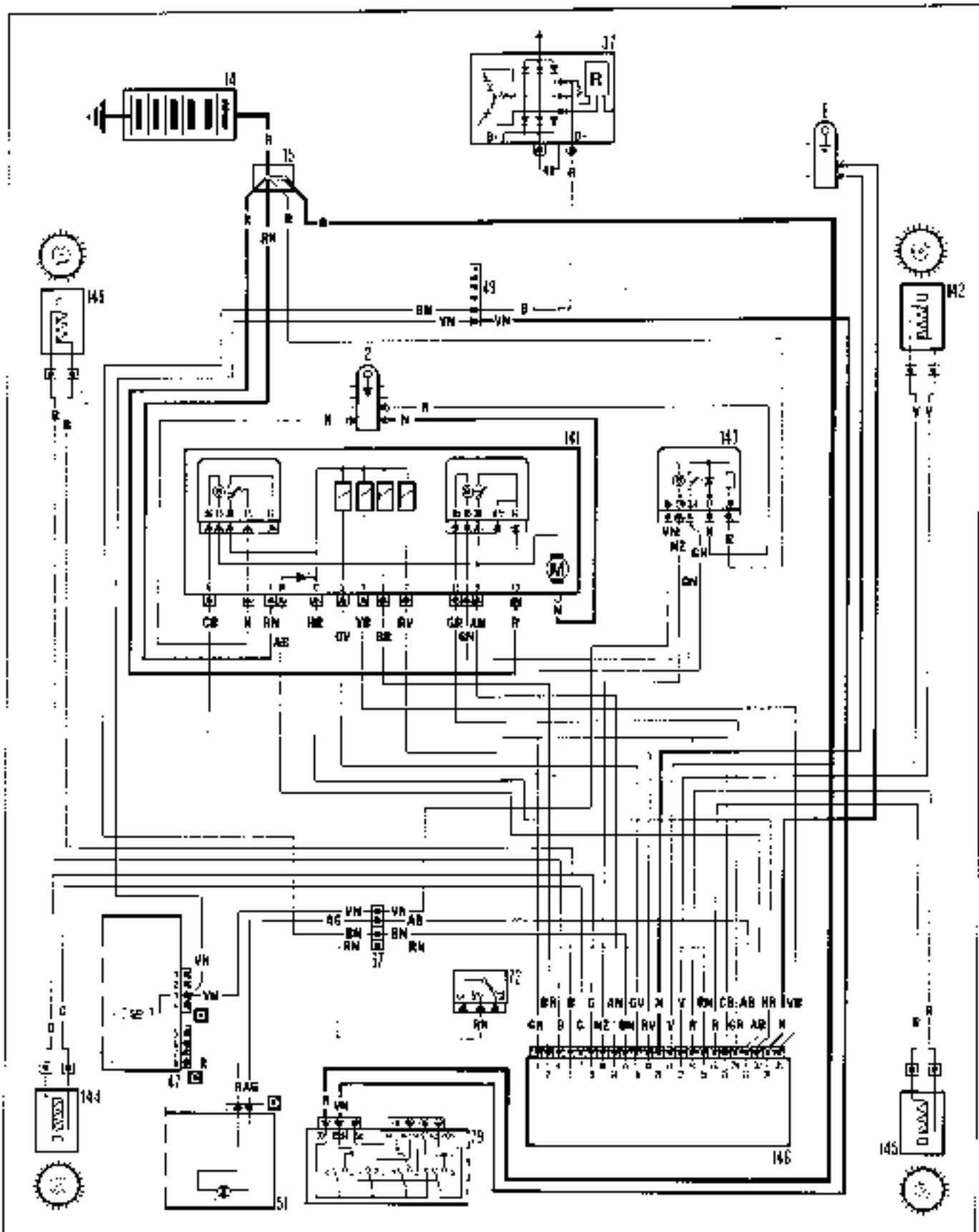


Automatic heating/ventilation system. (See page 19 for key)

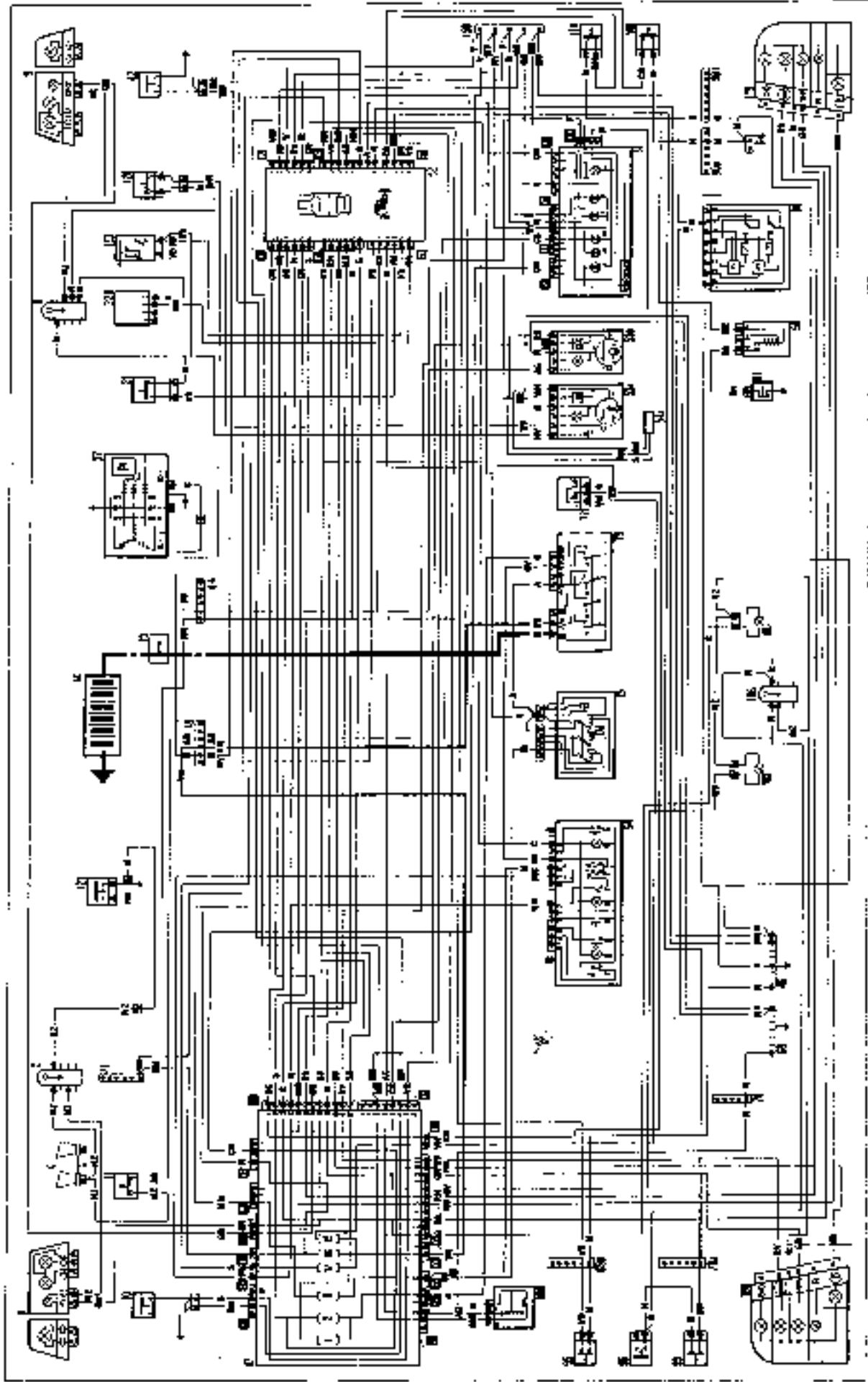


55.

Anti-lock brakes (ABS). (See page 19 for key)



Control System. (See page 19 for key)





RELAYS

- 1-2 Direction indicators - hazard warning lights
- 3-4 Automatic transmission (four wheels)
- 5-6 Fog lamps
- 7-8 Horn bridge
- 9-10 Heated rear windshield
- 11-12 Switch discharge
- 13-14 Left front electric window

Fuse	Protected circuit	Fuses	Protected circuit
no. 1* (1.5 A)	Left front fog lamp, rear side lights, right front fog lamp, dipped beam	no. 14 (2.5 A)	Central locking system, lock
no. 2* (2.5 A)	Rear front and left rear side lights, dome, left rear fog lamp, address valve lights, warning light	no. 15* (3.0 A)	Brake lights, Ex-emption indicator
no. 3* (3.0 A)	Left dipped head lamp, dipped rear fog lamp, warning light	no. 16* (3.5 A)	Ground wire, Coupling System, Dip indicator
no. 4* (1.0 A)	Right dipped headlamp	no. 17* (3.5 A)	Handbrake inter-locks, Gear and warning lights
no. 5* (1.0 A)	Left main beam headlamp and warning light	no. 18* (3.5 A)	Electrically operated external rear view mirror
no. 6* (1.0 A)	Right main beam headlamp	no. 19* (3.0 A)	Reversing light, Windscreen wiper, Windscreen washer and headlamp washer electric pump
no. 7* (1.5 A)	Fog lamp and warning light	no. 20* (2.5 A)	Blower, rear wiper, Sun roof
no. 8* (2.5 A)	Rear fog lamp and warning light	no. 21* (3.5 A)	Heated rear glass, Adjustable spoiler
no. 9* (3.0 A)	Heated rear windscreen and warning light, Demisting device for second rear view mirror	no. 22* (1.5 A)	Electric fuel pump
no. 10* (2.0 A)	Wash wiper	no. 23* (1.5 A)	Rear side lights
no. 11* (2.5 A)	Adjustable spoiler	no. 24* (1.5 A)	Left doors, front window
no. 12* (3.0 A)	Front right fog lamp, Electric aerial		
no. 13* (1.0 A)	Dipped beam, Right warning lights, Cruise control, Cruise control, Cruise control, Cruise control		

- 15 Left level reader
- 16 Fuel cable fans on warning light
- 17 Cruise fan for axes and relay
- 18 Power cable fan on front intake
- 19 Cruise fan
- 20 Instrument device for temperature warning light
- 21 Instrument panel
- 22 Side lights with fog light
- 23 Dipped beam headlamp warning light
- 24 Main beam headlamp warning light
- 25 Heated rear window
- 26 Safety valve warning light
- 27 Heated rear window warning light
- 28 Heated rear window
- 29 Catalytic converter warning light
- 30 Axial lock for front warning light
- 31 Fog lamps warning light
- 32 Rear fog lamps warning light
- 33 Cruise control general and warning light
- 34 Air mass sensor warning light
- 35 Tail direction indicator warning light
- 36 Fog lamp warning light
- 37 Fog lamp warning light
- 38 Fog lamp warning light
- 39 Fog lamp warning light
- 40 Fog lamp warning light
- 41 Fog lamp warning light
- 42 Fog lamp warning light
- 43 Fog lamp warning light
- 44 Fog lamp warning light
- 45 Fog lamp warning light
- 46 Fog lamp warning light
- 47 Fog lamp warning light
- 48 Fog lamp warning light
- 49 Fog lamp warning light
- 50 Fog lamp warning light
- 51 Fog lamp warning light
- 52 Fog lamp warning light
- 53 Fog lamp warning light
- 54 Fog lamp warning light
- 55 Fog lamp warning light
- 56 Fog lamp warning light
- 57 Fog lamp warning light
- 58 Fog lamp warning light
- 59 Fog lamp warning light
- 60 Fog lamp warning light
- 61 Fog lamp warning light
- 62 Fog lamp warning light
- 63 Fog lamp warning light
- 64 Fog lamp warning light
- 65 Fog lamp warning light
- 66 Fog lamp warning light
- 67 Fog lamp warning light
- 68 Fog lamp warning light
- 69 Fog lamp warning light
- 70 Fog lamp warning light
- 71 Fog lamp warning light
- 72 Fog lamp warning light
- 73 Fog lamp warning light
- 74 Fog lamp warning light
- 75 Fog lamp warning light
- 76 Fog lamp warning light
- 77 Fog lamp warning light
- 78 Fog lamp warning light
- 79 Fog lamp warning light
- 80 Fog lamp warning light
- 81 Fog lamp warning light
- 82 Fog lamp warning light
- 83 Fog lamp warning light
- 84 Fog lamp warning light
- 85 Fog lamp warning light
- 86 Fog lamp warning light
- 87 Fog lamp warning light
- 88 Fog lamp warning light
- 89 Fog lamp warning light
- 90 Fog lamp warning light
- 91 Fog lamp warning light
- 92 Fog lamp warning light
- 93 Fog lamp warning light
- 94 Fog lamp warning light
- 95 Fog lamp warning light
- 96 Fog lamp warning light
- 97 Fog lamp warning light
- 98 Fog lamp warning light
- 99 Fog lamp warning light
- 100 Fog lamp warning light

Control by ground

- 64. Fourth cable from on steering shaft
- 68A. Right front speaker
- 68B. Compression
- 69B. Control oil
- 69C. Connection
- 69D. Connection
- 70. Connection
- 70A. Connection
- 70B. Connection
- 71. Connection
- 72. Heater light switch
- 73. Pressure indicator switch
- 74. Switch for side light, dipped headlamp, main beam, foglamps
- 75. Fuel button for main beam headlamps
- 76. Push button for electric horn
- 77. Wiper/washer wiper switch
- 78. Push button for wiper/washer and demulser wiper
- 79. Ignition valve with light
- 80. Front courtesy light with digital clock
- 81. Push button for handbrake warning light
- 82. Front signal lights
- 83. Address light
- 84. Rear gear indicator
- 85. Radio
- 86. Left red star receiver
- 87. Ignition reference for electronic speedometer
- 88. Central locking control unit
- 89. Central locking control unit
- 90. External rear view mirror
- 90A. Connection
- 90B. Connection
- 90C. Connection
- 90D. Connection
- 91. Connection
- 92. Switches for electric lamp washers
- 92A. Left front push button for front courtesy light
- 93. Left front electric wiper motor
- 94. Left front electric wiper motor
- 95. Push button for right-hand left hand door open
- 96. Fuel button for left rear courtesy light
- 97. Left front electric window control unit
- 98. Left rear electric locking motor
- 99. Push button for signalling left hand door open
- 100. Left rear electric locking motor
- 101. Left rear electric window control unit
- 102. Lockage component light
- 103. Left rear electric left front door open
- 103A. Gravity sensor for engine compartment light
- 104. Left rear speaker
- 105. Brake rear window
- 106. Left rear electric clock
- 107. Luggage compartment warning switch
- 108. Fuel level gauge

- 109. Electric fuel pump
- 110. Right rear courtesy light with adjustable star for star light
- 110A. Right rear speaker
- 111. Right front electric window switch on light front door
- 112. Right hand electric window motor
- 113. Right front central locking motor
- 114. Push button signalling right front door open
- 115A. Right front push button for front courtesy light
- 116. Fuel button for right rear courtesy light
- 117. Right rear central locking motor
- 118. Fuel filler cap locking motor
- 119. Push button signalling right rear door open
- 120. Right rear light cover
- 121. Engine oil level sender unit
- 122. Engine oil indicator switch unit
- 123. Engine oil temperature sender unit
- 124. Coolant temperature sender unit and central switch for overcausing warning light
- 125. Rear electric windows switch on bar
- 126. Left rear electric windows switch on bar
- 127. Right rear electric window switch on bar
- 128. Left rear electric window switch
- 129. Left rear electric window motor
- 130. Right rear electric window motor
- 131. Right rear electric window switch
- 132. Air indicator for gear indicator
- 133. Three stage pressure switch
- 134. Anti-rattle thermostat
- 135. Outside air temperature sensor
- 136. Control unit for automatically venting on heated rear window
- 137. Ignition switch delay device
- 138. Ignition coil for electronically controlled XE1
- 139. Jetronic mechanical fuel injection system
- 140. Connection
- 141. Sensor on left front wheel
- 142. Steady state right LED wheel
- 143. Main relay
- 144. Sensor on left rear wheel
- 145. Sensor on right rear wheel
- 146. Anti lock brake alternator control unit
- 147. Left external rear view mirror
- 148. Right external rear view mirror
- 149. Pressure sensor motor
- 150. Luggage rack
- 151. Switch for left rear hand rest
- 152. Switch for right rear hand rest
- 153. Switch for mass for moving left front seat vertically
- 154. Switch for mass for adjusting left front seat backrest
- 155. Mass for adjusting left front seat backrest

- 156. Motor for moving left front seat longitudinally
- 157. Motor for moving left front seat vertically
- 158. Left front seat heated backrest
- 159. LED front seat heated backrest
- 160. Left front heated seat thermostat control
- 161. Connection
- 162. Right front heated seat thermostat control
- 163. Right front seat heated backrest
- 164. Right front seat heated backrest
- 165. Motor for adjusting position of right rear seat backrest
- 166. Motor for moving right front seat vertically
- 167. Motor for moving right front seat longitudinally
- 168. Control unit for automatic device for handbrake down at high speeds (Servotronic)
- 169. Switch for motor for moving right front seat longitudinally
- 170. Switch for motor for moving right front seat vertically
- 171. Switch for motor for moving right front seat backrest
- 172. Motor for moving left rear seat longitudinally
- 173. Switch for motor for moving left rear seat longitudinally
- 174. Switch for motor for moving right rear seat longitudinally
- 175. Motor for moving right rear seat longitudinally
- 176. Motor for moving right rear seat longitudinally
- 177. Cable for handbrake pump
- 178. Connection
- 179. End of travel switch for left rear seat
- 180. Relay for motor for moving left rear seat longitudinally
- 181. Relay for motor for moving right rear seat longitudinally
- 182. End of travel switch for right rear seat
- 183. Diagnostic system front seat
- 184. Connection
- 185. Connection
- 186. Connection
- 187. Connection
- 188. Connection
- 189. Connection
- 190. Relay for left front heated seat
- 191. Relay for right front seat
- 192. Relay for left front seat
- 193. Switch for electric rear windows on bar
- 194. Left rear electric window switch on bar
- 195. Right rear electric window switch on bar
- 196. Right rear electric window switch on bar
- 197. Connection
- 198. Connection

- 199. Conversion
- 200. Right rear electric window switch on right rear seat
- 201. Left rear electric window switch on left rear seat
- 202. Control unit for adjustable seats
- 203. Motor for adjustable motor
- 204. Search for centre line adjustable speaker
- 205. Connector for radio telephone
- 206. Push button for radio telephone
- 207. Switch on backrest
- 208. High electric converter on steering box (Servotronic)
- 209. Diagnostic system for XE1/Jetronic motor for system control unit
- 210. Relay for right front heated seat
- 211. Switch for right front heated seat
- 212. Conversion for adjustable speaker
- 213. Motor for left side mirror
- 214. Diagnostic system for XE1/Jetronic motor for system control unit
- 215. Diagnostic system for XE1/Jetronic motor for system control unit
- 216. Diagnostic system for XE1/Jetronic motor for system control unit
- 217. Diagnostic system for XE1/Jetronic motor for system control unit
- 218. Diagnostic system for XE1/Jetronic motor for system control unit
- 219. Diagnostic system for XE1/Jetronic motor for system control unit
- 220. Diagnostic system for XE1/Jetronic motor for system control unit
- 221. Diagnostic system for XE1/Jetronic motor for system control unit

Cable colour code

A	Light Blue	CN	Orange-Black
B	White	CM	Yellow-Black
C	Orange	CL	Yellow-Blue
D	Yellow	CR	Yellow-Red
E	Grey	CV	Yellow-Green
F	Blue	CH	Green-Black
G	Green	CH	Green-Black
H	Black	CH	Green-Black
I	Black	CH	Green-Black
J	Black	CH	Green-Black
K	Black	CH	Green-Black
L	Black	CH	Green-Black
M	Black	CH	Green-Black
N	Black	CH	Green-Black
O	Black	CH	Green-Black
P	Black	CH	Green-Black
Q	Black	CH	Green-Black
R	Black	CH	Green-Black
S	Black	CH	Green-Black
T	Black	CH	Green-Black
U	Black	CH	Green-Black
V	Black	CH	Green-Black
W	Black	CH	Green-Black
X	Black	CH	Green-Black
Y	Black	CH	Green-Black
Z	Black	CH	Green-Black
AA	Light Blue-White	EV	Blue-Green
AB	Light Blue-White	EV	Blue-Green
AC	Light Blue-White	EV	Blue-Green
AD	Light Blue-White	EV	Blue-Green
AE	Light Blue-White	EV	Blue-Green
AF	Light Blue-White	EV	Blue-Green
AG	Light Blue-White	EV	Blue-Green
AH	Light Blue-White	EV	Blue-Green
AI	Light Blue-White	EV	Blue-Green
AJ	Light Blue-White	EV	Blue-Green
AK	Light Blue-White	EV	Blue-Green
AL	Light Blue-White	EV	Blue-Green
AM	Light Blue-White	EV	Blue-Green
AN	Light Blue-White	EV	Blue-Green
AO	Light Blue-White	EV	Blue-Green
AP	Light Blue-White	EV	Blue-Green
AQ	Light Blue-White	EV	Blue-Green
AR	Light Blue-White	EV	Blue-Green
AS	Light Blue-White	EV	Blue-Green
AT	Light Blue-White	EV	Blue-Green
AU	Light Blue-White	EV	Blue-Green
AV	Light Blue-White	EV	Blue-Green
AW	Light Blue-White	EV	Blue-Green
AX	Light Blue-White	EV	Blue-Green
AY	Light Blue-White	EV	Blue-Green
AZ	Light Blue-White	EV	Blue-Green
BA	Light Blue-White	EV	Blue-Green
BB	Light Blue-White	EV	Blue-Green
BC	Light Blue-White	EV	Blue-Green
BD	Light Blue-White	EV	Blue-Green
BE	Light Blue-White	EV	Blue-Green
BF	Light Blue-White	EV	Blue-Green
BG	Light Blue-White	EV	Blue-Green
BH	Light Blue-White	EV	Blue-Green
BI	Light Blue-White	EV	Blue-Green
BJ	Light Blue-White	EV	Blue-Green
BK	Light Blue-White	EV	Blue-Green
BL	Light Blue-White	EV	Blue-Green
BM	Light Blue-White	EV	Blue-Green
BN	Light Blue-White	EV	Blue-Green
BO	Light Blue-White	EV	Blue-Green
BP	Light Blue-White	EV	Blue-Green
BQ	Light Blue-White	EV	Blue-Green
BR	Light Blue-White	EV	Blue-Green
BS	Light Blue-White	EV	Blue-Green
BT	Light Blue-White	EV	Blue-Green
BU	Light Blue-White	EV	Blue-Green
BV	Light Blue-White	EV	Blue-Green
BW	Light Blue-White	EV	Blue-Green
BX	Light Blue-White	EV	Blue-Green
BY	Light Blue-White	EV	Blue-Green
BZ	Light Blue-White	EV	Blue-Green
CA	Light Blue-White	EV	Blue-Green
CB	Light Blue-White	EV	Blue-Green